

# 7765

---



---

## **PARTS LIST**

**American-Lincoln Models (7765): 56514750 (VD Gas), 56514851 (VD LP), 56514853 (VD Diesel), 56514855 (MD Gas), 56514856 (MD LP GM3.0L), 56514857 (MD Diesel S4Q2), 56514858 (VD LP)**

# **American-Lincoln®**

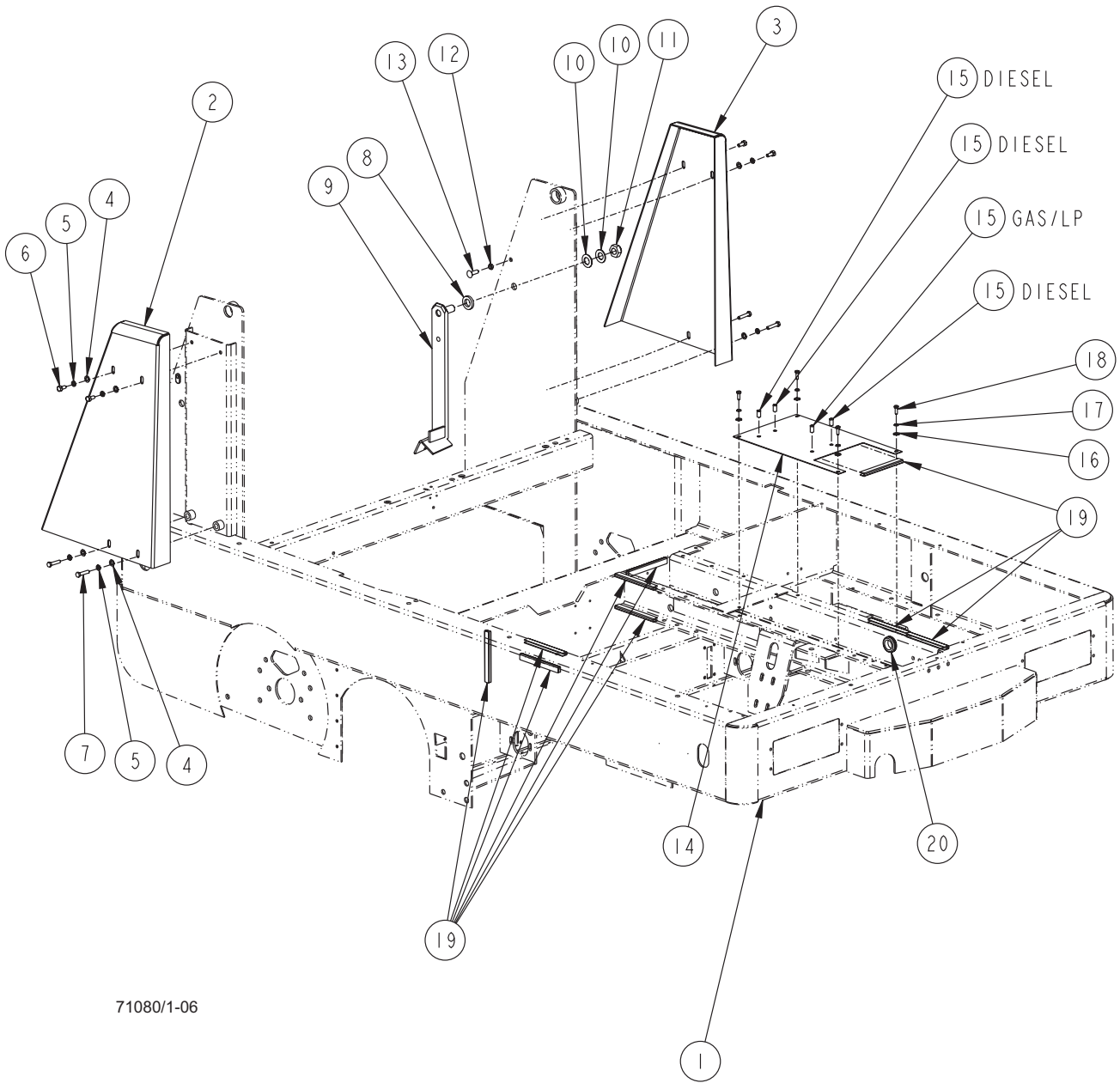
<b>DESCRIPTION</b>	<b>Page</b>
Main Frame (Variable Dump) .....	5
Main Frame (Manual Dump) .....	7
Main Broom Assembly .....	9
Main Broom Lift Linkage .....	11
Side Broom Assy. (Variable Dump) .....	13
Broom and Brush Chamber Door .....	15
Hopper System (Manual Dump) .....	17
Hopper System (Variable Dump) .....	19
Hopper System (Filter and Impeller) .....	21
Hopper System (Valve, Dump Linkage) .....	23
Scrub Deck and Brushes .....	25
Rear and Side Squeegees .....	27
Squeegee Lift .....	29
Swing Squeegee Support .....	31
Solution Tank .....	33
Solution Feed Linkage .....	35
Recovery Tank .....	37
Recovery Tank Lid .....	39
Vacuum Motor & Float .....	41
Front Wheel and Brake .....	43
Brake Linkage .....	45
Rear Wheel .....	47
Forward/Reverse Control – GM 3.0 .....	49
Forward/Reverse Control – GM 3.0 - Foot Pedal Assy .....	51
Forward/Reverse Control – Mitsubishi .....	53
Operator Compartment .....	55
Hydraulic Hose System (Variable Dump) .....	57
Suction & Return Hoses (Variable Dump) .....	59
Hydraulic Hose System (Manual Dump) .....	61
Suction & Return Hoses (Manual Dump) .....	63
Main Broom Motor and Fittings .....	64
Side Broom Motor and Fittings .....	65
Scrub Motors and Fittings .....	66
Squeegee and Scrub Deck Cylinders and Fittings .....	67
Power Steering, Hopper Dump & Hopper Lift Cyl's and Fittings .....	69
Rear Wheel Motor and Fittings .....	71
Hydraulic Reservoir, Filter, and Fittings .....	73
Drive Pump and Fittings .....	74
Vacuum Motor and Fittings .....	75
Dust Control Impeller and Fittings .....	76
Power Steering Unit and Fittings .....	77
Main Control Valve and Fittings .....	79
Return Manifold and Fittings (Variable Dump) .....	81
Return Manifold and Fittings (Manual Dump) .....	83
Cylinder Control Valve and Fittings .....	85
Auxiliary Pump and Fittings - GM 3.0 .....	86
Auxiliary Pump and Fittings – Mitsubishi .....	87
Battery .....	89
Engine Cover .....	91
Fuel Tank (Gas) .....	93
GM 3.0 Liter Gas Engine (Air Filtration System) .....	95
GM 3.0 Liter LP Engine (Air Filtration System) .....	97
GM 3.0 Liter Engine - Gas & LP (Supports, Brackets) .....	99
GM 3.0 Liter Engine - Gas & LP (Exhaust System) .....	101
GM 3.0 Liter Engine - Gas & LP (Fan, Radiator Hoses) .....	103
Fuel Tank Assembly (LP) .....	105
Mitsubishi S4Q2 Diesel Engine (Fan, Exhaust, Hoses) .....	107
Mitsubishi S4Q2 Diesel Engine (Supports, Brackets, Throttle) .....	109
Mitsubishi S4Q2 Diesel Engine (Fuel System) .....	111
Mitsubishi S4Q2 Diesel Engine (Air Filtration System) .....	113
Fuel Tank (Diesel) .....	115

DESCRIPTION	Page
Radiator Assembly .....	116-117
Decals .....	118-119
Steering and Instrument Panel.....	120-121
Instrument Panel Connections .....	122-123
Spare Parts .....	124-126
Engine Service Parts - Mitsubishi S4Q2 Diesel.....	127
Engine Service Parts - GM 3.0 Gas/LP .....	128-129
Machine Harness Routing Diagram.....	130-131
Hydraulics Schematic (Variable Dump).....	132
Hydraulics Schematic (Manual Dump).....	133
Electrical Schematic .....	134
Options .....	135
Overhead Guard Option .....	136-137
Side Broom Option (Manual Dump) .....	138-139
Broom Options .....	140
Back-Up Alarm Option .....	141
Lights Options .....	142-143
Lights & Turn Signals Option.....	144-145
Warning Lights w/o Overhead Guard Option.....	146-147
Warning Lights with Overhead Guard Option.....	148-149
Curb Light Option .....	150-151
Fire Extinguisher Option .....	152
Protecto-Seal Gas Cap Option .....	153
Debris Basket Option .....	154
Suspension Seat Option.....	155
Seat Belt Option .....	156-157
ESP Option (Detergent & Solution Tank).....	158-159
ESP Option (Recovery Tank & Detergent Pump).....	160-161
ESP Option (Instrument Panel).....	162-163
ESP Option (Wiring) .....	164-165
Tire Options .....	166
Vacuum Wand Option.....	167
Wet Sweep Bypass Option.....	168-169
Auxiliary LP Tank Option .....	170-171
Dual Feed LP Tanks Option.....	172-173
Solution Off in Neutral Option.....	174-175
Stainless Steel Variable Dump Hopper Option.....	176
Stainless Steel Manual Dump Hopper Option.....	177
Extended Bumpers Option .....	178-179
Wrap-Around Bumpers Option .....	180-181
High Torque Drive Wheel Motor Option.....	182
Hopper High Temperature Shutdown Option.....	183
Clogged Filter Indicator Option.....	184-185
125 Gallon Solution & Recovery Tanks Option.....	186-187
Power Spray Wand Option .....	188-189
Timed Filter Shaker Option.....	190
Broom Selector Guide .....	191
Brush Selector Guide .....	192

#### WHEN ORDERING PARTS

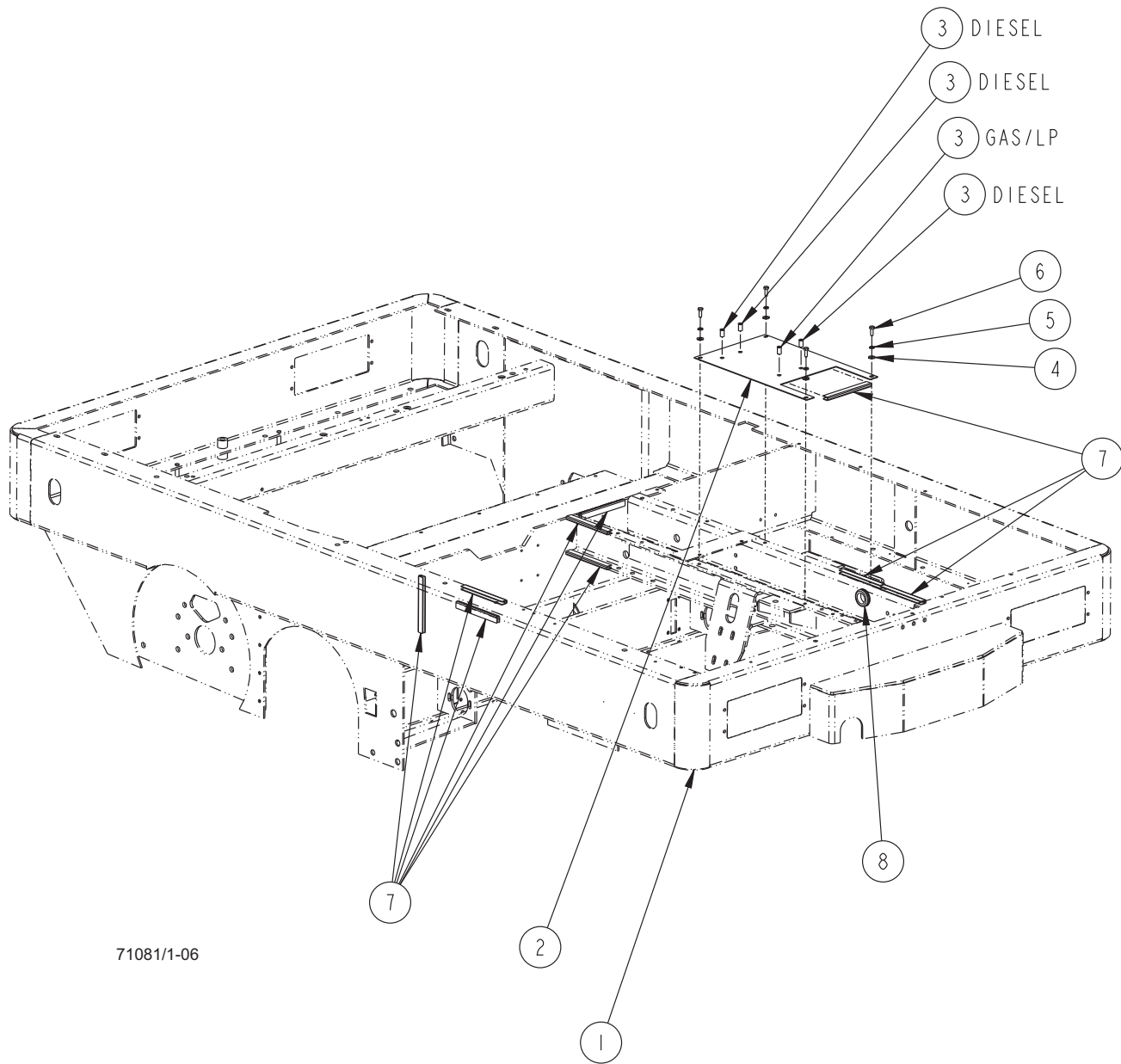
- \* Use the numbers from the "Ref. No." columns in this parts list.
- \* Specify the model and serial number of the machine.
- \* Use the space below to record the model and serial number for future reference.

Model \_\_\_\_\_ Serial No. \_\_\_\_\_



71080/1-06

Item	Ref. No.	Qty	Description
1	56514812	1	Main Frame
2	56514813	1	Cover, LH Support Wing
3	56514814	1	Cover, RH Support Wing
4	2-00-00409	8	Flat Washer, .687 x .344 x .062
5	2-00-00530	8	Lock Washer, 5/16 Med HS
6	2-00-00208	4	Screw, 5/16-18 x 3/4 HHC
7	2-00-00225	4	Screw, 5/16-18 x 1.50 Lg HHC
8	7-75-01167	1	Spacer
9	7-81-00189	1	Support, Safety Arm (Right)
10	2-00-05807	2	Washer, 3/4 Spring
11	2-00-05255	1	Nut
12	2-00-02369	1	Nut, 3/8-16 Hex Jam
13	2-00-05187	1	Carriage Bolt, 3/8-16 x 1.0"
14	56514815	1	Cover, Steering Gear Assy.
15	2-00-05261	4	Insert, 1/4-20 Threaded
16	2-00-03702	4	Flat Washer, .562 x .265 x .062
17	2-00-00518	4	Lock Washer, 1/4 Helical Spring
18	2-00-00221	4	Bolt, 1/4-20 x 3/4 Fin. Hex Head
19	7-21-04031	9	Edging, Brush Drive Support
20	2-00-04721	1	Rubber Grommet



71081/1-06

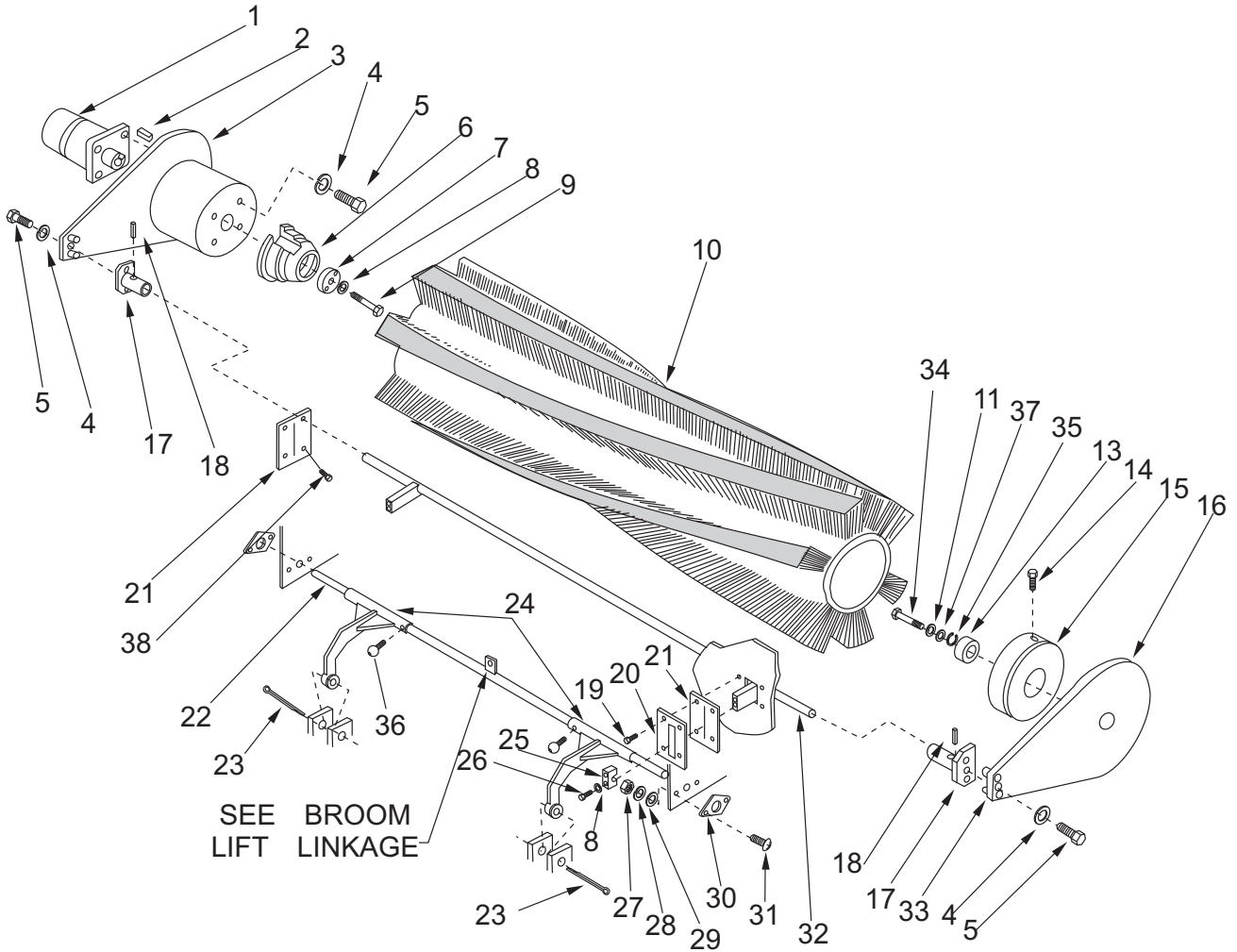
08-4

**MAIN FRAME - MANUAL DUMP**

**7765**

**7**

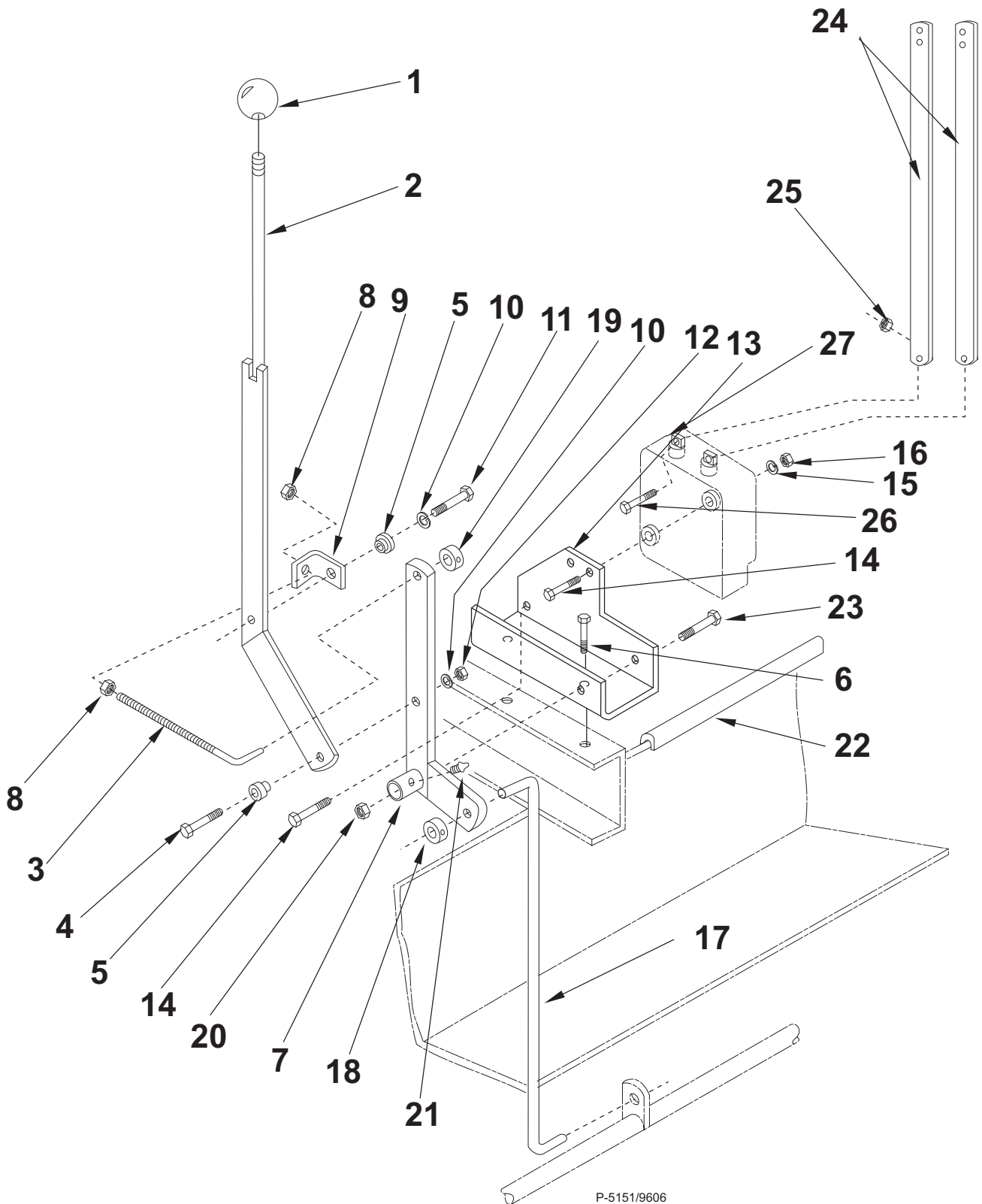
Item	Ref. No.	Qty	Description
1	56514840	1	Main Frame
2	56514815	1	Cover, Steering Gear Assy.
3	2-00-05261	4	Insert, 1/4-20 Threaded
4	2-00-03702	4	Flat Washer, .562 x .265 x .062
5	2-00-00518	4	Lock Washer, 1/4 Helical Spring
6	2-00-00221	4	Bolt, 1/4-20 x 3/4 Fin. Hex Head
7	7-21-04031	9	Edging, Brush Drive Support
8	2-00-04721	1	Rubber Grommet



P4738/9606

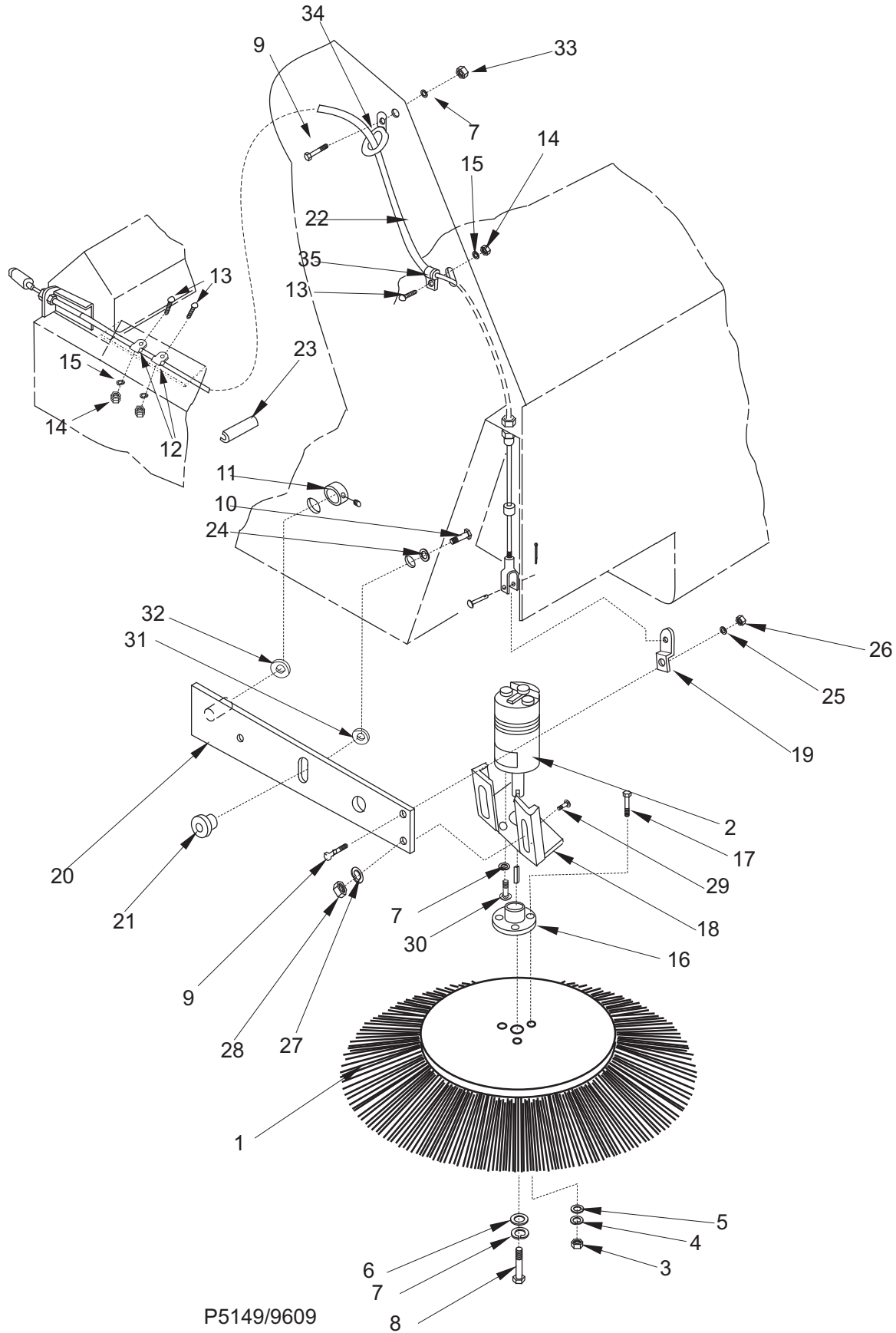


Item	Ref. No.	Qty	Description
1	0882-040	1	Hydraulic Motor, Broom Drive
2	2-00-03838	1	Key, 1/4 x 1.0 (#15) W
3	8-16-00041	1	Arm, Drive Broom
4	2-00-02310	6	Lock Washer, 3/8 Helical Spring
5	2-00-00232	6	Screw, 3/8-14 x 3/4 HHC
6	8-33-09046-1	1	Hub, Broom Driver
7	8-58-05160	1	Plate, Hub Locking
8	2-00-00518	7	Lock Washer, 1/4 Helical Spring
9	2-00-03039	3	Screw, 1/4-20 x .625 HSHC
10	See Broom Options		
11	2-00-00522	1	Lock Washer, 3/4 Helical Spring
12			Intentionally Omitted
13	2-00-04889	1	Bearing
14	2-00-04886	2	Screw, 3/8-16 x 1/2 HSHC
15	8-33-09090	1	Idler
16	8-16-00039	1	Arm, Idler
17	56514825	2	Pivot Collar (Weldment)
18	2-00-04943	2	Spring Pin, 3/8 x 1.50
19	2-00-00221	8	Screw, 1/4-20 x 3/4 HHC
20	7-16-07274	2	Gasket, Cover Plate
21	7-29-00148	3	Gasket, Broom Arm
22	7-70-05137	1	Shaft
23	7-55-08119	2	Lift Pin (with Cotter Pin)
24	7-03-04151	1	RH Arm Assembly
	7-03-04152	1	LH Arm Assembly
25	56514827	2	End Clamp
26	2-00-02587	4	Screw, 1/4-20 x 1.25 HHC
27	2-00-00586	4	Nut, 5/16-18 x .500 x .187 Hex Jam
28	2-00-00530	4	Lock Washer, 5/16 Helical Spring
29	2-00-05103	4	Flat Washer, SS, .750 x .343 x .050
30	2-00-03997	2	Flange Bearing, 3.75 x 1.00
31	2-00-00196	4	Carriage Bolt, 5/16-18 x 1.0
32	56514826	1	Shaft, Broom Chamber (Weldment)
33	8-55-08098	4	Dowel Pin
34	2-00-04887	1	Screw, 3/4-10 x 1.25 HHC
35	2-00-04890	1	Retaining Ring, 3.341 Int.
36	2-00-02558	2	Lubrication Fitting, 45° 1/8 NPT
37	8-75-01157	1	Flat Washer, 3/4
38	2-00-00432	4	Screw, 1/4-20 x 1/2



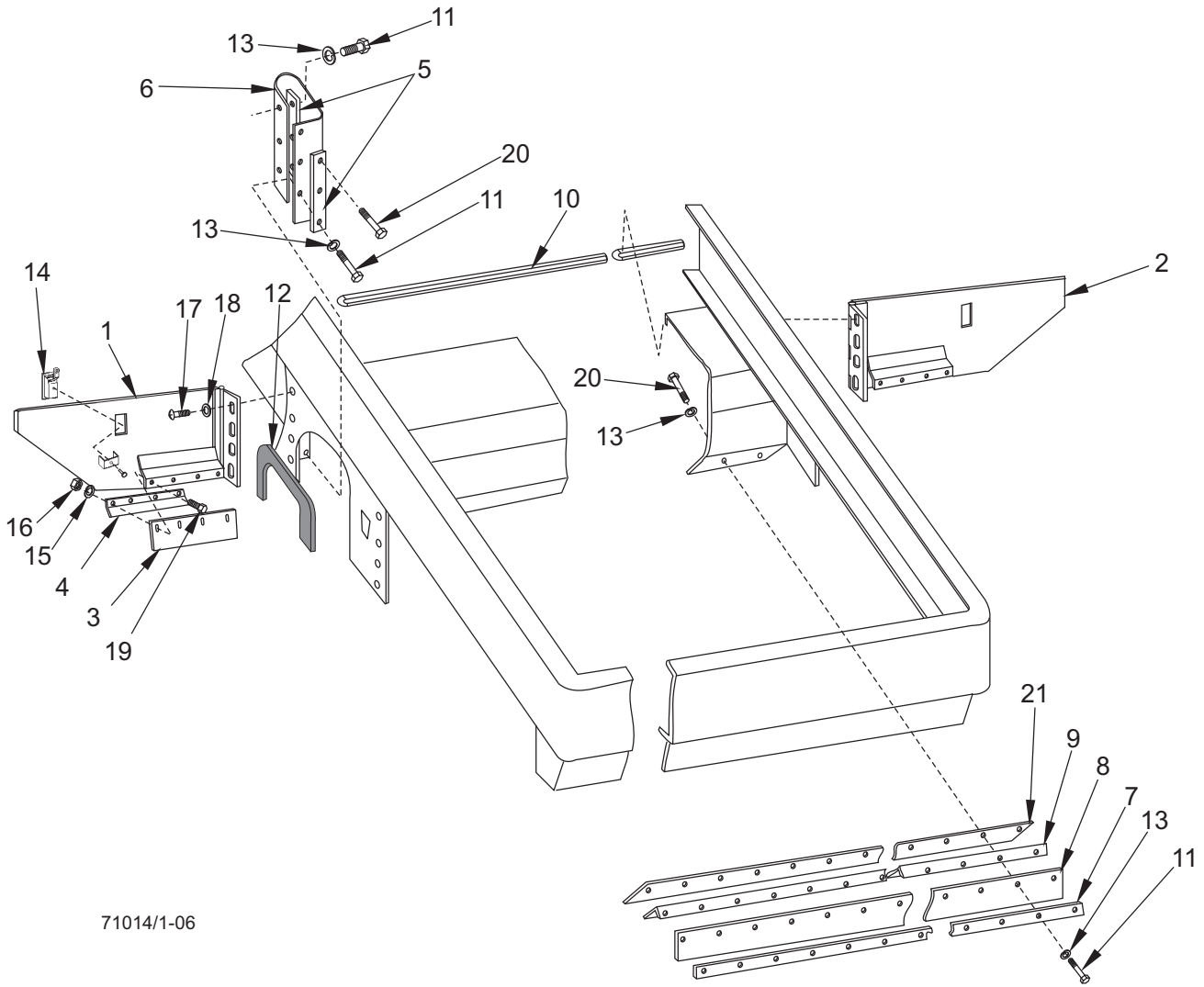
P-5151/9606

Item	Ref. No.	Qty	Description
1	8-39-00003	2	Knob
2	7-41-05082	1	Lever, Main Broom
3	7-66-00142	1	Adjusting Rod
4	2-00-00207	1	Screw, 5/16-18 x 1.25
5	7-09-01057	2	Spacer
6	2-00-01255	2	Screw, 5/16-18 x .875 HHC
7	56514828	1	Crank
8	2-00-02369	2	Nut, 3/8-16 x .562 x .218 Hex Jam
9	7-08-00493	1	Bracket, Broom Lever
10	2-00-00530	2	Lock Washer, Helical Spring 5/16 Med
11	2-00-00208	1	Screw, 5/16-18 x 3/4 HHC
12	2-00-00585	1	Nut, 5/16-18 x .500 x .265 Hex
13	7-89-06700	1	Bracket, Hopper Valve
14	2-00-02589	2	Screw, 1/4-20 x 2.0 HHC
15	2-00-00518	2	Lock Washer, 1/4 Helical Spring
16	2-00-00594	2	Nut, 1/4-20 x .437 x .218 Hex
17	56514829	1	Broom Lift Link
18	2-00-03589	1	Setscrew Collar, 1.00 x .500 x .437
19	7-15-01022	1	Setscrew Collar, .750 x .378 x .375
20	2-00-04936	1	Nut, 1/2-13 Fiber Insert Hex
21	2-00-00566	1	Lubrication Fitting, Straight 1/8 NPT
22	7-21-04030	1	Edging
23	2-00-05059	2	Screw, 1/2-13 x 3.75 HHC
24	7-42-05084	2	Link
25	2-00-00605	2	Nut, #10-24 Fiber Lock
26	2-00-00056	2	Screw, #10-24 x 3/4 RHM
27	8-88-00053	1	Control Valve



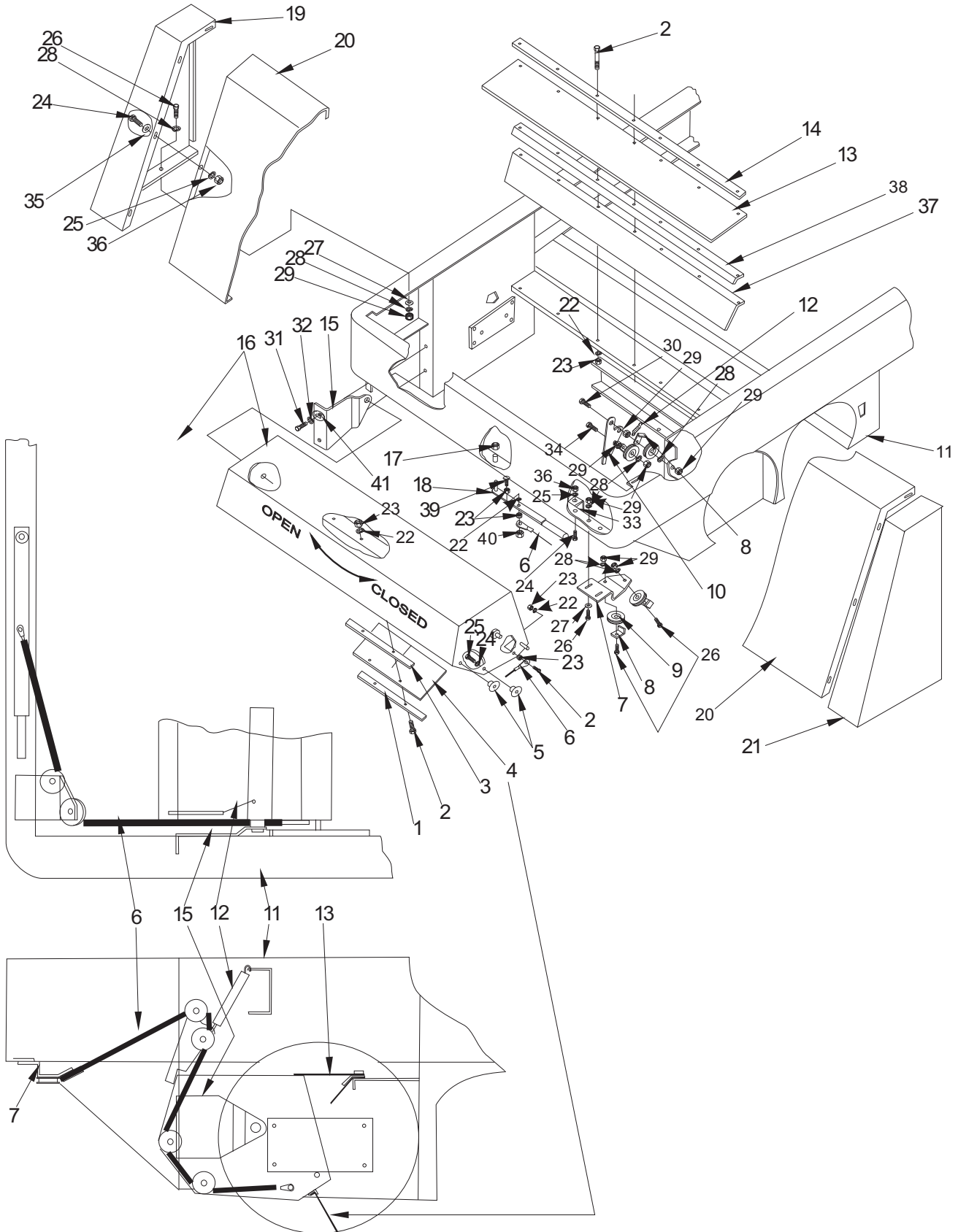
P5149/9609

Item	Ref. No.	Qty	Description
1	8-08-03107	1	Side Broom
2	0885-061	1	Hydraulic Broom Drive Motor
3	2-00-00585	3	Nut, Hex 5/16 - 18 x .500 x .265
4	2-00-00530	3	Lock Washer, Helical Spring 5/16 Med
5	2-00-00409	2	Washer, Flat 5/16
6	2-00-01676	1	Flat Washer, 1.063 x .266 x .063
7	2-00-00518	5	Lock Washer, Helical Spring 1/4 Med
8	2-00-05976	1	Screw, 1/4 - 28 x 1.50 HHC
9	2-00-00221	2	Screw, 1/4-20 x .75
10	2-00-00232	1	Screw, 3/8 - 16 x .750 HHC
11	8-15-01003	1	Setscrew Collar, 1.250 x .750 x .562
12	2-00-04210	2	Clamp
13	2-00-00049	3	Screw, #10 - 24 x .500 RHM
14	2-00-00605	3	Nut, Hex MS #10-24 x .375 x .12
15	2-00-00512	3	Lock Washer, #10 Int.
16	7-25-06038	1	Flange
17	2-00-00218	3	Screw, 5/16 - 18 x 2.000 HHC
NS	0880-293	1	Seal Kit- 0885-061 (Up to Serial No. 750056)
NS	0780-144	1	Seal Kit- 0885-061 (Serial No. 750056 & Above)
18	7-08-00841	1	Bracket, Side Broom
19	7-79-00092	1	Strap
20	56514783	1	Side Broom Arm Weldment
21	7-09-01134	1	Bushing
22	7-10-00029	1	Cable
23	8-21-04030	1	Edging
24	2-00-02310	1	Lock Washer, Helical Spring 3/8 Med
25	2-00-03702	1	Washer, Flat .625 x .281 x .063
26	2-00-00641	1	Nut, 1/4-20 Hex Fiber Lock
27	2-00-02303	2	Lock Washer, 5/16 Int. Tooth
28	2-00-00585	2	Nut, Hex 5/16-18
29	2-00-03569	2	Carriage Bolt, 5/16-18
30	2-00-05350	3	Screw, 1/4-28 x .63
31	2-00-03979	1	Washer, 1.00 x .391 x .06
32	2-00-03808	1	Washer, 1.50 x .750 x .06
33	2-00-00594	1	Nut, Hex MS 1/4-20 x .125
34	2-00-04603	1	Clamp
35	2-00-04378	1	Clamp



71014/1-06

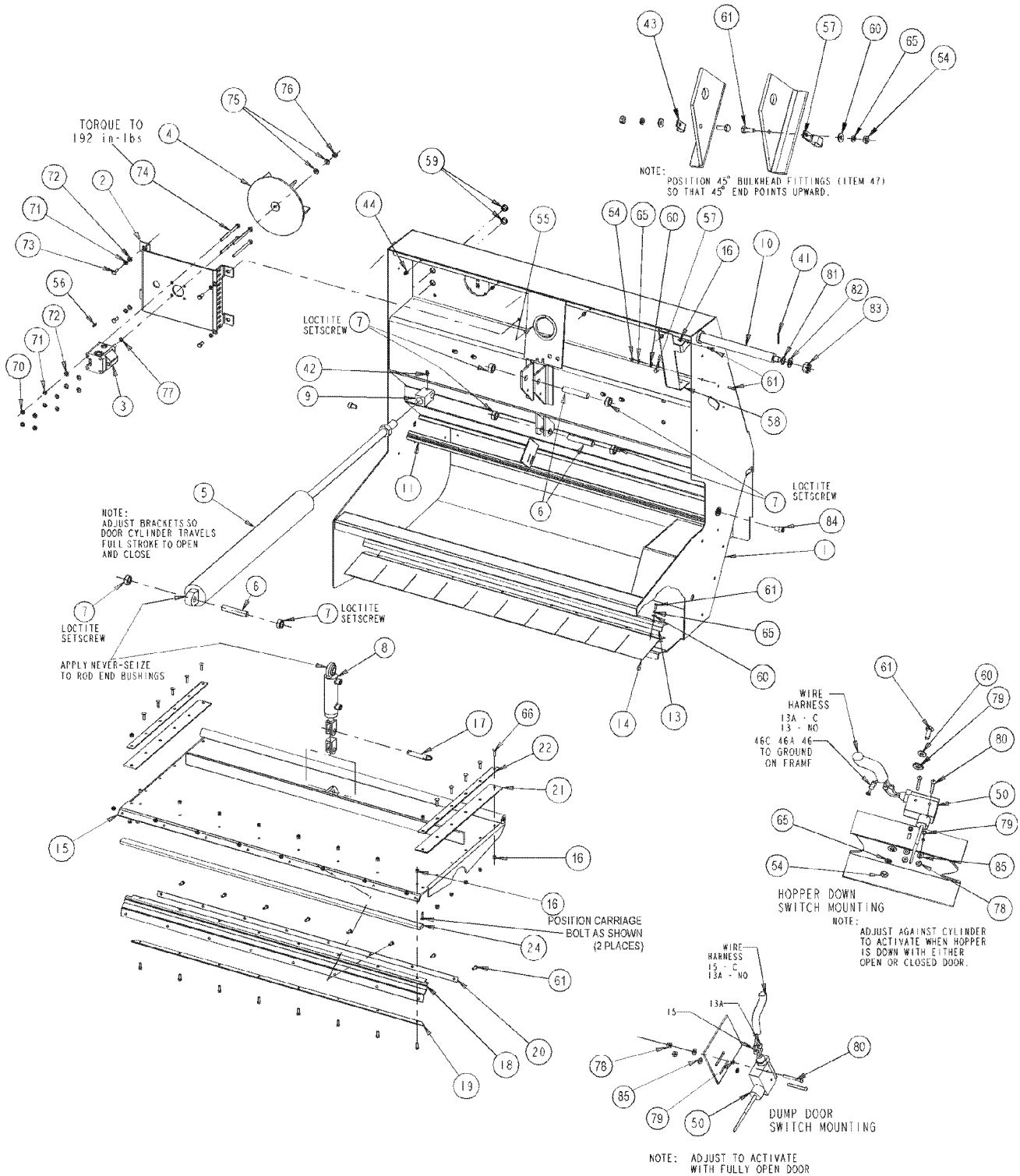
Item	Ref. No.	Qty	Description
1	56514779	1	Door, Left Hand Broom Chamber
2	56514780	1	Door, Right Hand Broom Chamber
3	7-25-08033	2	Flap, Broom Chamber Door
4	56514781	2	Strap, Door Flap
5	56514782	4	Strap, Broom Chamber
6	7-25-08034	2	Flap, Broom Chamber
7	7-79-00054	1	Strap, Broom Chamber Flap
8	7-25-08032	1	Flap, Broom Chamber
9	7-08-00487	1	Bracket, Flap (Weldment)
10	7-29-00147	1	Gasket
11	2-00-00221	25	Screw, 1/4-20 x 3/4 HHC
12	3-73-01020	2	Gasket (36")
13	2-00-00518	33	Lock Washer, 1/4 Helical Spring
14	7-41-00065	2	Latch, Flush Mount
15	2-00-00501	8	Lock Washer, 1/4
16	2-00-00589	8	Nut, 1/4-20 Hex
17	2-00-04880	8	Screw, 1/4-20 x 3/4 BHS
18	2-00-00407	8	Flat Washer, .687 x .343 x .062
19	2-00-04190	8	Carriage Bolt, 1/4-20 x .63
20	2-00-01490	13	Screw, 1/4-20 x .875 HHC
21	7-25-08036	1	Flap, Front Broom Chamber



C-0355/9606

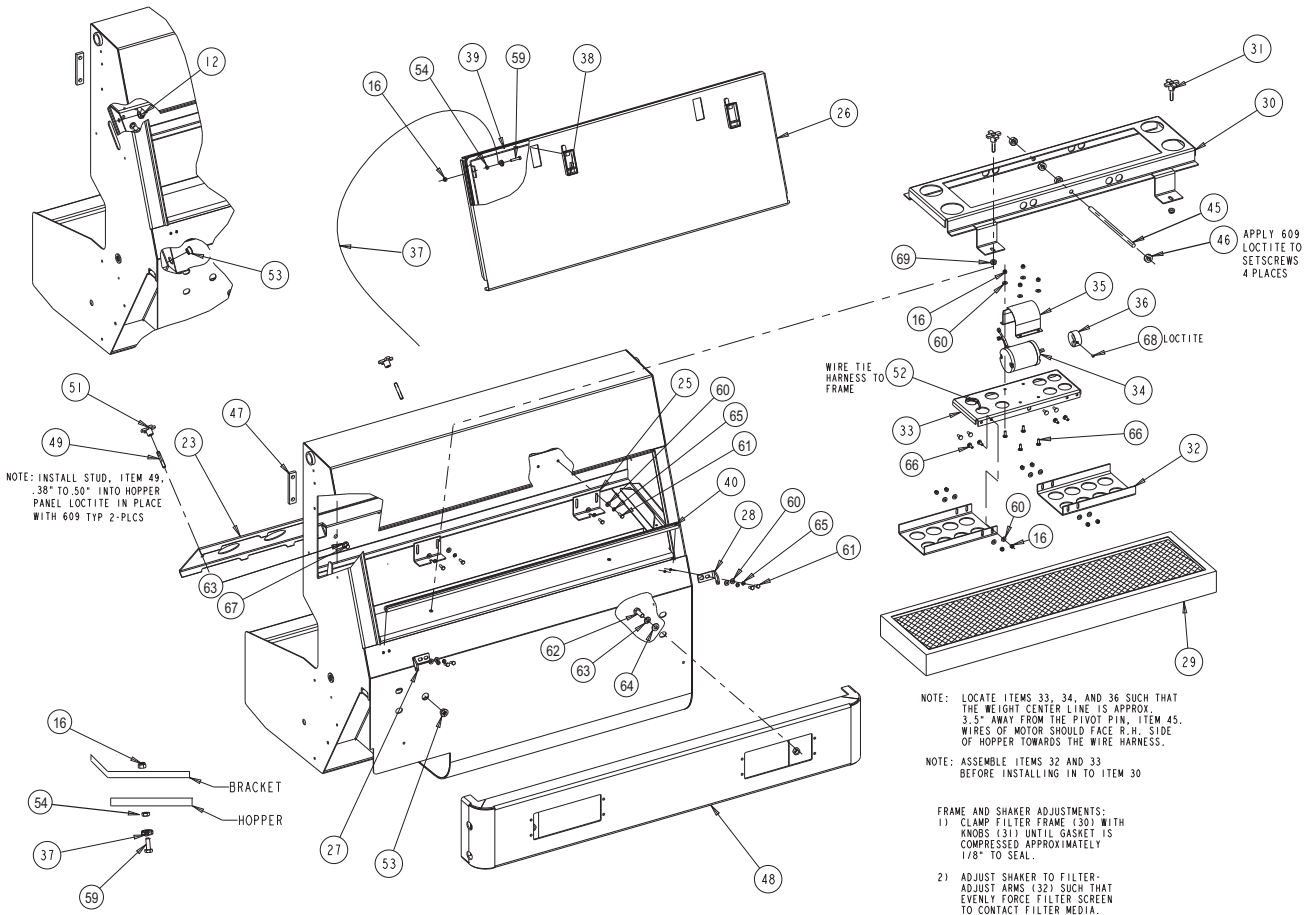


Item	Ref. No.	Qty	Description
1	7-79-00091	4	Hopper Flap Strap
2	2-00-00205	15	Screw, 1/4-20 x 1.000 HHC
3	7-13-07169	4	Hopper Flap Clamp
4	7-25-08050	4	Hopper Flap
5	7-30-08013	2	Cable Guide
6	7-10-00027	1	Hopper Lift Cable
7	7-08-00860	1	Pulley Mounting Bracket
8	7-13-07170	4	Cable Retainer Clip
9	7-60-00160	4	Cable Pulley
10	7-41-00029	1	Hopper Latch
11	56514840	1	Main Frame
12	8-76-00045	1	Spring
13	7-25-08051	1	Baffle Flap
14	56514845	1	Baffle Clamp
15	7-08-00861	2	Hopper Pivot Plate
16	56514847	1	Hopper
17	2-00-03589	1	Collar
18	7-31-06073	1	Hopper Dump Handle
19	56514843	1	Right Hand Cover
20	56514844	1	Center Cover
21	56514848	1	Left Hand Cover
22	2-00-00518	17	Lock Washer, 1/4 Helical Spring
23	2-00-00594	19	Nut, Hex 1/4-20
24	2-00-01255	11	Screw, 5/16-18 x .875 HHC
25	2-00-00530	11	Lock Washer, 5/16 Helical Spring
26	2-00-00209	8	Screw, 3/8-16 x 1.250 HHC
27	2-00-00402	10	Flat Washer, 3/8 Bs
28	2-00-02310	8	Lock Washer, 3/8 Helical Spring
29	2-00-02360	14	Nut, Hex 3/8-16
30	2-00-02711	1	Screw, 3/8-16 x2.750 HHM
31	2-00-00240	4	Screw, 1/2-13 x 1.250 HHC
32	2-00-02312	4	Lock Washer, 1/2 Helical Spring
33	7-41-00031	1	Handle Latch
34	2-00-00235	1	Screw, 3/8-16 x 1.750 HHC
35	2-00-00409	8	Flat Washer, 5/16 BS
36	2-00-00585	9	Nut, Hex 5/16-18
37	7-25-08052	1	Lower Baffle Flap
38	56514849	1	Lower Baffle Clamp
39	2-00-00198	1	Carriage Bolt, 1/4-20 x 2.000
40	2-00-00641	1	Nut, Fiber Lock 1/4-20
41	2-00-00405	4	Flat Washer 1/2 B.S



Item	Ref. No.	Qty	Description
1	56514763	1	Hopper
2	56514764	1	Bracket, Impellor Mounting and Guard
3	0882-041	1	Vac Fan Motor
4	8-23-00012	1	Impellor
5	7-17-05013	Ref.	Cylinder
6	7-55-08117	3	Pin
7	8-15-01003	6	Collar
8	7-17-05020	Ref.	Cylinder
9	8-14-01010	1	Rod End
10	7-55-08127	1	Rod
11	7-29-00233	2	Gasket, Dump Door
13#	56514897	1	Clamp, Hopper Flap
14	7-25-08068	1	Flap, Hopper
15	56514765	1	Dump Door, Hopper
16	2-00-00641	31	Nut, 1/4-20 Insert Fiber
17	7-55-08121	1	Pin
18	7-68-05019	1	Seal, Outer Door
19#	56514896	1	Strap, Inner Seal
20#	56514895	1	Strap, Outer Seal
21	7-68-05014	2	Seal, Door Side
22#	56514894	2	Clamp, Door Side Seal
24	7-68-05018	1	Seal, Dump Door
41	2-00-00776	2	Cotter Pin
42	2-00-02558	1	Lube Fitting
43	2-00-04378	1	Clamp
44	2-00-00566	4	Lube Fitting
50	8-82-00058	2	Switch
54	2-00-00594	6	Nut, Hex 1/4-20 x .437 x .218
55	7-21-04041	1	Edging, Hopper
56	2-00-02227	1	Key
57	2-00-04603	2	Clamp
58	56514777	1	Bracket, Safety Arm Stop
59	2-00-05382	2	Hole Plug
60	2-00-03702	17	Washer, .625 x .281 x .063
61	2-00-00221	33	Screw, 1/4-20 x .750 HHC
65	2-00-00518	16	Lock Washer, Helical Spring
66	2-00-03575	12	Carriage Bolt, 1/4-20 x .750
70	2-00-00585	4	Hex Nut, .13-18 Finished
71	2-00-00530	8	Lock Washer, 5/16 Med.
72	2-00-00409	8	Flat Washer, .688 x .344 x .063
73	2-00-00208	4	Screw, .313-18 x .75 HHC
74	2-00-02655	4	Screw, .313-18 x 4.50 HHC
75	2-00-00402	2	Flat Washer, .750 x .391 x .093
76	2-00-03412	1	Lock Nut, .38-24 (1-piece)
77	2-00-00484	1	Spacer, .625 x .375 x .047
78	2-00-01372	4	Nut, 8-32 Fiber Insert
79	2-00-00498	5	Lock Washer
80	2-00-00090	4	Screw, 8-32 x 1.50 PH RHM
81	2-00-00432	2	Flat Washer, 1.125 x .766 x .063
82	2-00-03170	2	Spacer, .75-1.50 x .125
83	2-00-04841	2	Nut, .75-16 Slotted Hex
84	2-00-05277	2	Screw, .50-13 x .75 HSHC
85	2-00-00460	4	Flat Washer, .438 x .192 x .031

# = Revised or new since last update

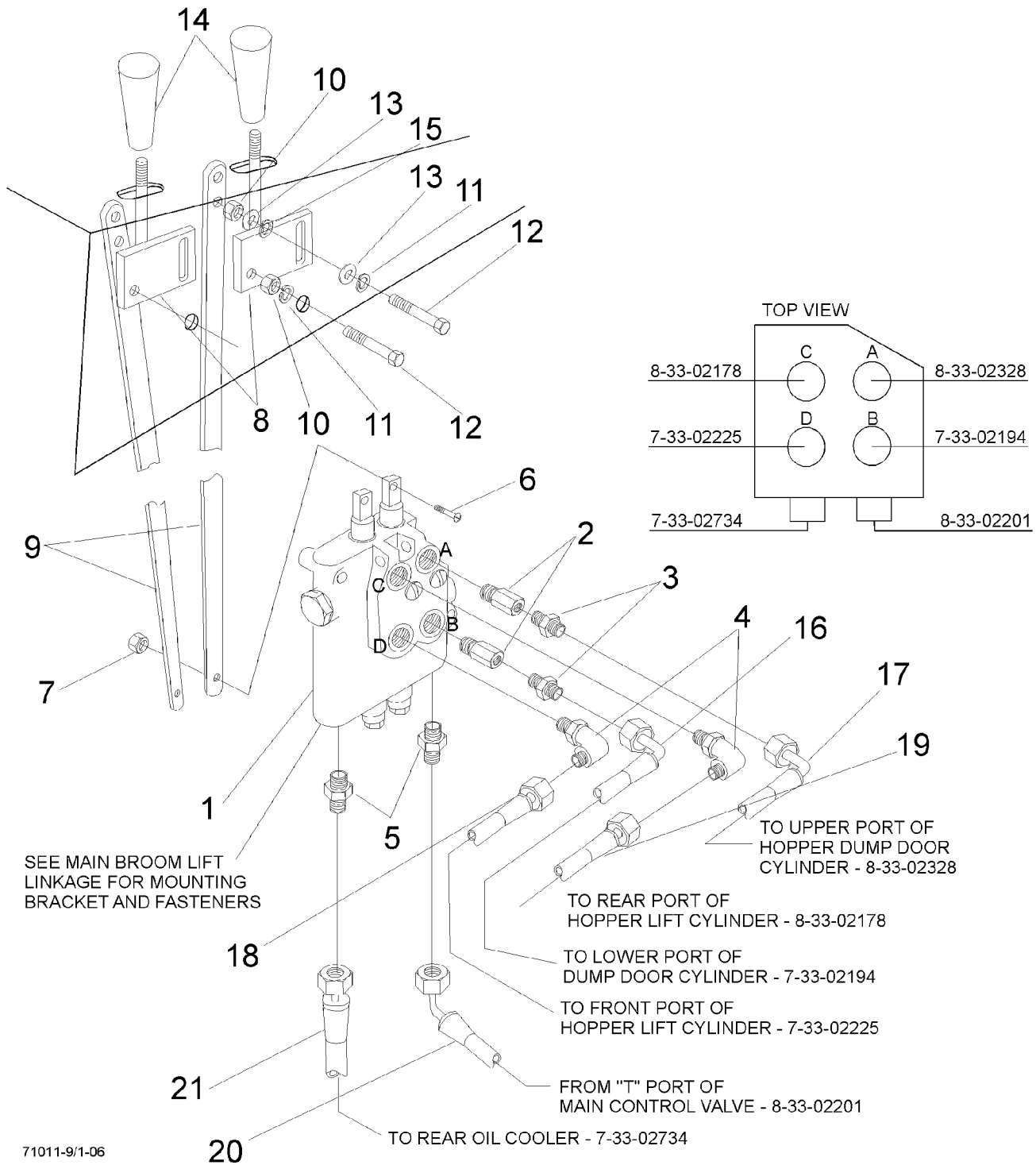


P5148a-ecp/1-04

Item	Ref. No.	Qty	Description
12	2-00-00491	1	Grommet
16	2-00-00641	6	Nut, 1/4-20 Insert Fiber
23#	56514893	1	Air Deflector, Top
25	56514766	2	Rear Clamp
26	56514767	1	Filter Access Door
27	56514768	1	Bracket, Door Filter Access (RH)
28	56514769	1	Bracket, Door Filter Access (LH)
29	7-24-04046	1	Filter Panel
	7-24-04046-2		POLY Filter Panel Option
30	56514770	1	Filter Clamp, Weldment
31	7-39-00027	2	Knob Assembly
32	56514771	1	Shaker Arm
33	56514772	1	Plate, Shaker Motor
*34	0860-623	1	Motor, Shaker
*35	56514773	1	Cover, Filter Shaker Motor
*36	56514774	1	Weight, Filter Shaker
37	8-10-00036	1	Cable
38	8-41-00040	2	Latch
39	7-29-00234	1	Gasket, Hopper Access Door
40	7-29-00235	1	Gasket, Hopper Access Door
45	7-55-08146	1	Pin, Shaker Pivot
46	2-00-03589	4	Collar
47	56514872	1	Bracket
48	56514776	1	Bumper
49	7-89-07423	2	Stud
51	25201A	2	Knob
52	2-00-04345	1	Tye-Rap
53	8-09-01082	2	Bushing
54	2-00-00594	2	Nut, Hex 1/4-20 x .437 x .218
59	2-00-02587	2	Screw, 1/4-20 x 1.250 HHC
60	2-00-03702	12	Washer, .625 x .281 x .063
61	2-00-00221	8	Screw, 1/4-20 x .750 HHC
62	2-00-00240	4	Screw, 1/2-13 x 1.250 HHC
63	2-00-02312	6	Lock Washer, 1/2 HS Med.
64	2-00-04159	4	Washer, 9/16 x 1 3/8 x .109
65	2-00-00518	8	Lock Washer, Helical Spring
66	2-00-03575	12	Carriage Bolt, 1/4-20 x .750
67	2-00-02676	2	Screw, 1/2-13 x .75
68	2-00-00263	1	Setscrew, 1/4-20 x .250 HSKCP
69	2-00-00643	2	Nut, 3/8-16 Stop

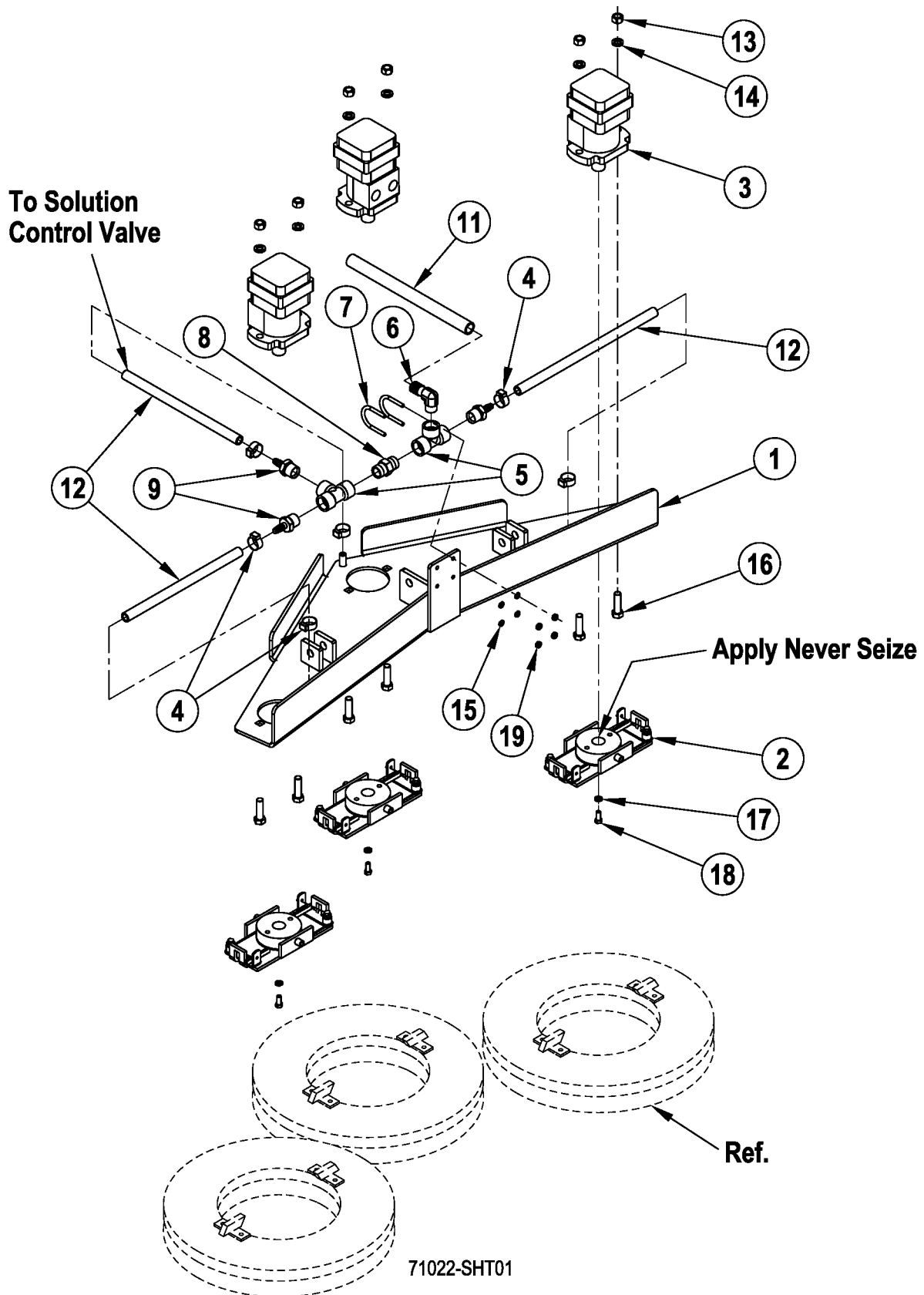
\*Contained in Kit 0880-705

# = Revised or new since last update



71011-9/1-06

Item	Ref. No.	Qty	Description
1	8-88-00053	1	Hopper Control Valve
2	2-00-04917	2	ORFS Boss Reducer, 9/16-18 to 7/16-20
3	2-00-04895	2	ORFS Connector, 7/16-20 to 9/16-18
4	2-00-04926	2	ORFS 90° Elbow, 9/16-18
5	2-00-04970	2	Fitting - Straight
6	2-00-00056	2	Screw, #10-24 x .750 RHM
7	2-00-00605	2	Nut, Hex MS #10-24 x .375 x .125
8	7-41-05084	2	Lever
9	7-42-05089	2	Link
10	2-00-00594	4	Nut, Hex 1/4-20 x .437 x .218
11	2-00-00518	4	Lock Washer, Helical Spring 1/4 Med
12	2-00-00205	4	Screw, 1/4-20 x 1.0 HHM
13	2-00-03702	4	Flat Washer, .625 x .281 x .062
14	7-31-06059	2	Handle
15	2-00-00498	2	Lock Washer, 1/4 Ext
16	7-33-02195	Ref.	Hose
17	8-33-02328	Ref.	Hose
18	7-33-02225	Ref.	Hose
19	8-33-02178	Ref.	Hose
20	8-33-02201	Ref.	Hose
21	7-33-02734	Ref.	Hose



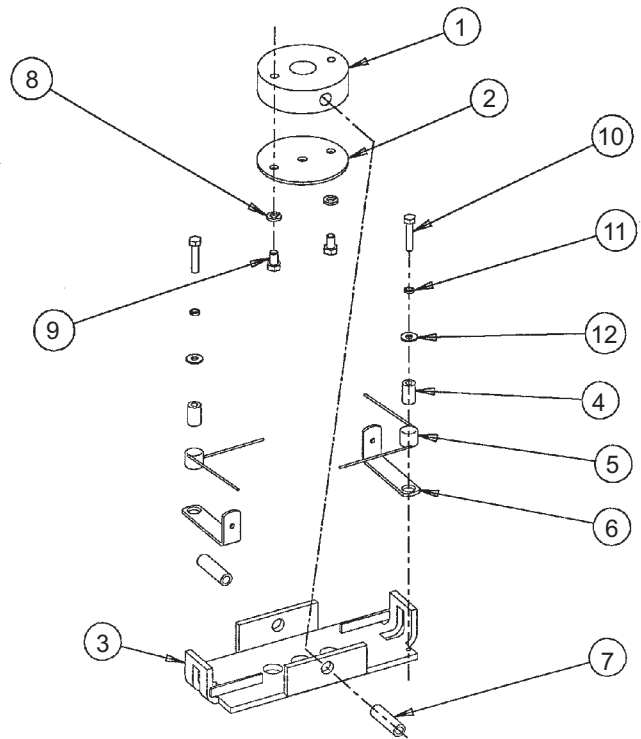


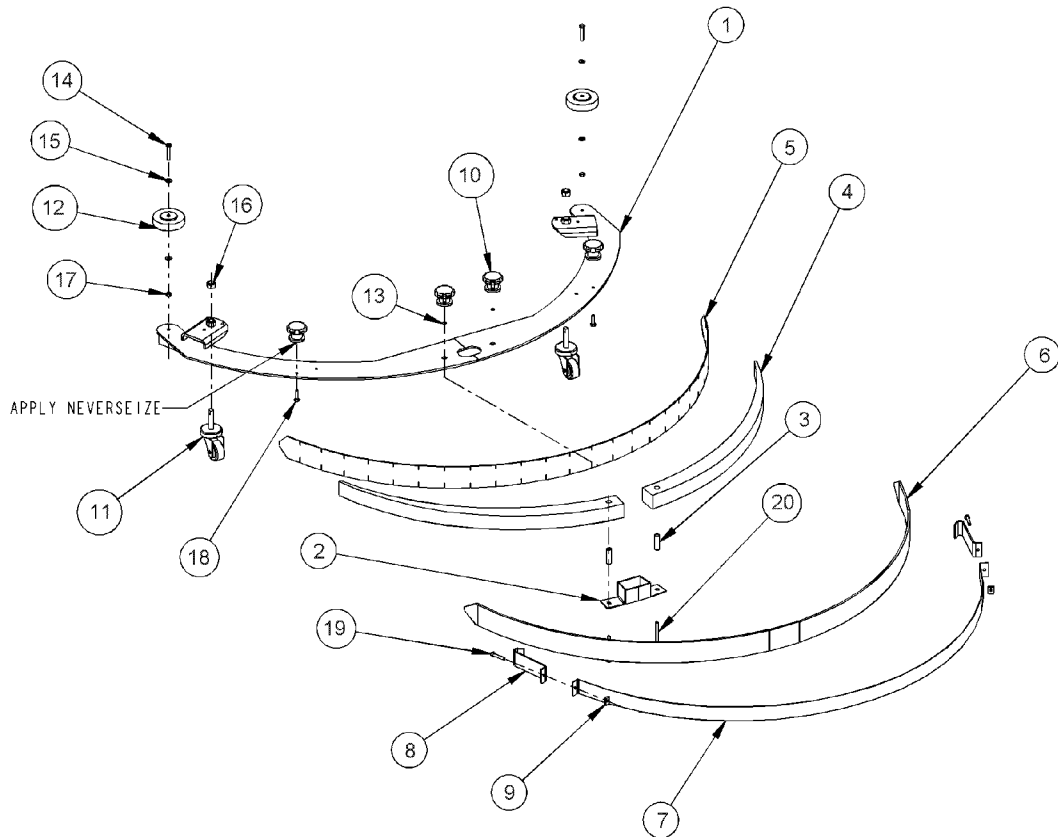
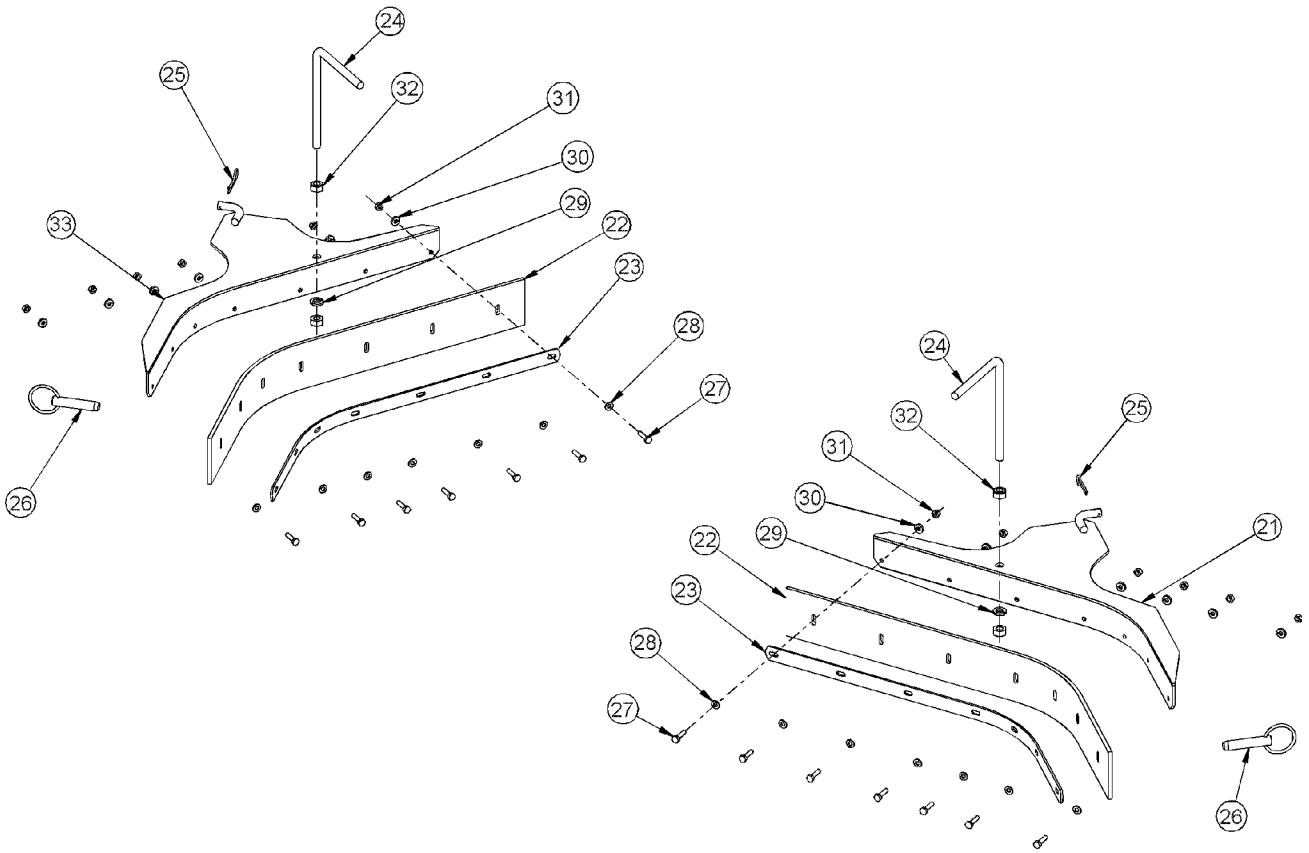
Item	Ref. No.	Qty	Description
1	56514805	1	53" Scrub Deck
*2	0702-069	3	Drive Brush Assembly
3	0782-111	3	Hyd. Scrub Motor
4	2-00-03407	6	Clamp-Hose
5	2-00-05662	2	Fitting, Tee
6	7-25-02053	1	90° Nipple
7	8-13-07003	2	"U" Bolt - 1/4-20
8	2-00-05686	1	Nipple
9	2-00-05681	3	Nipple
10			Intentionally Omitted
11#	56449850	1	Hose-Water Feed - 12"
12	7-33-02324	3	Hose-Water Feed - 12.5"
13	2-00-00596	6	Nut, 1/2 - 13
14	2-00-02312	6	Washer, .50 Split
15	2-00-00518	4	Washer, Helical Spring
16	2-00-00241	6	Bolt, 1/2-13 x 1.75 LG
17	2-00-00530	3	Lockwasher, 5/16
18	2-00-05087	3	Screw, 5/16 with Nylok
19	2-00-00594	4	Nut, Finish Hex, .25-20

## \*0702-069 SERVICE PARTS

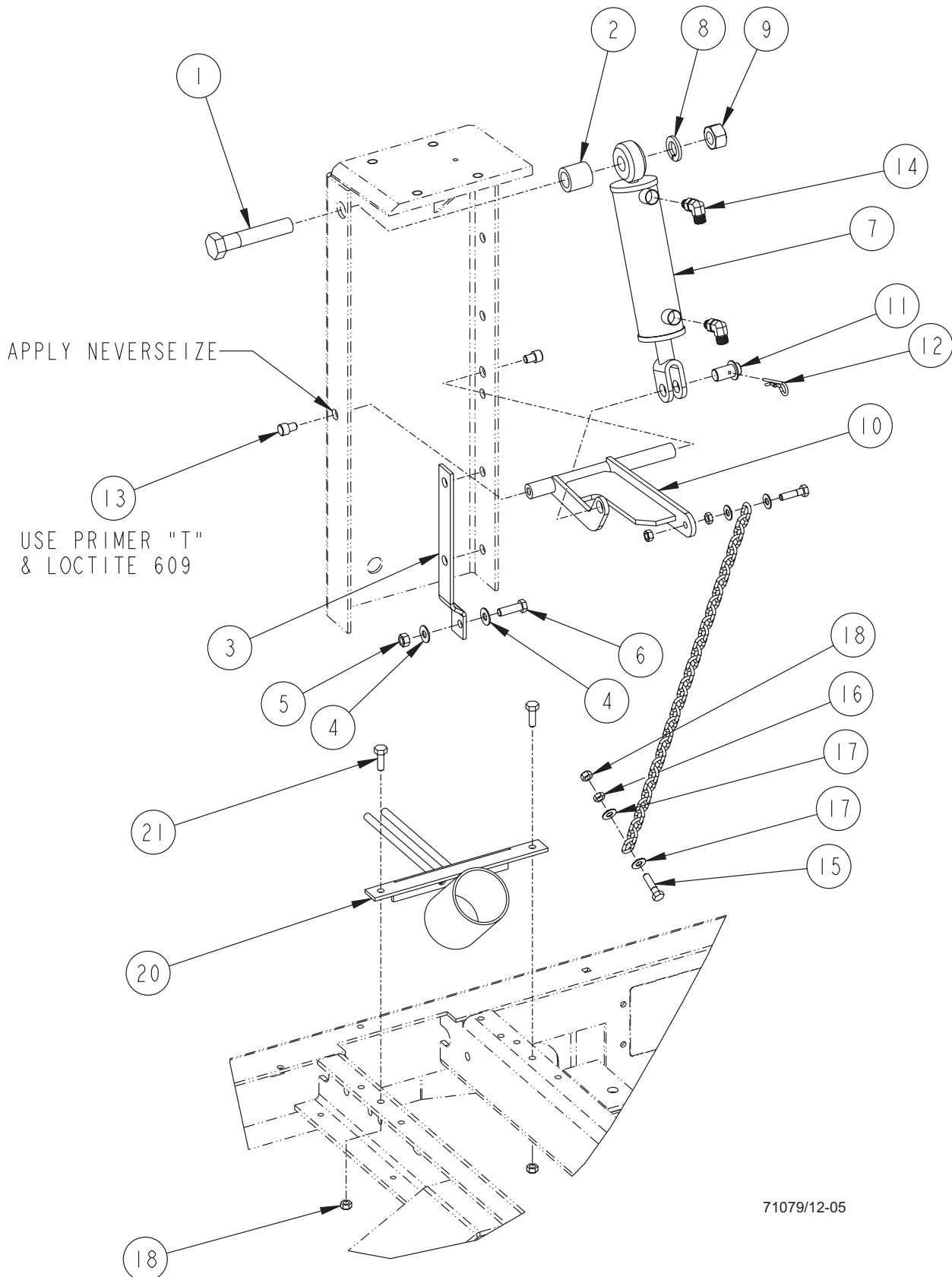
Item	Ref. No.	Qty	Description
1	7-33-09013	1	Drive Hub
2	7-58-05181	1	Hub Plate
3	7-03-04070	1	Brush Drive Arm
4	7-09-01062	2	Spacer
5	7-76-00089	2	Latch Spring
6	7-41-00007	2	Brush Latch
7	2-00-04663	2	Roll Pin
8	2-00-00530	2	5/16 Lock Washer
9	2-00-00224	2	Screw
10	2-00-02587	2	Screw
11	2-00-00518	2	1/4 Lock Washer
12#	2-00-03702	2	Washer

# = Revised or new since last update



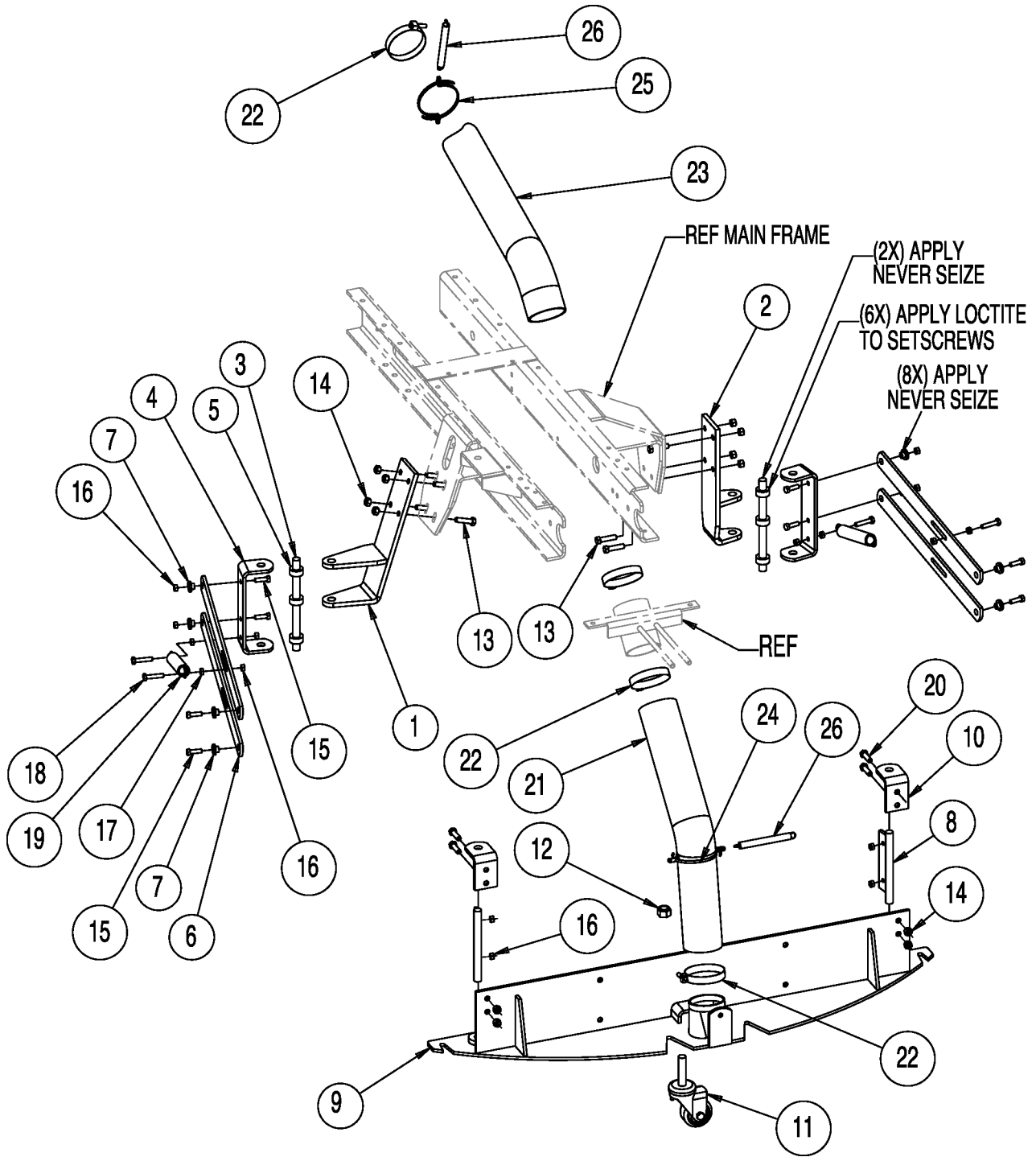


Item	Ref. No.	Qty	Description
1	56514832	1	Squeegee - Weldment
2	7-20-06009	1	Duct - Squeegee Inlet
3	7-75-01164	2	Spacer - Bushing
4	7-75-01191	2	Spacer - Squeegee
5	56514860	1	Kit, Rear Skirt, Squeegee
6			Intentionally Omitted
7	7-79-00085	1	Strap - Squeegee Clamp
8	7-13-07157	2	Clamp - End Squeegee
9	7-13-07156	2	Clamp - Nut
10	7-39-00026	4	Knob - Squeegee
11	56304266	2	Caster Assembly
12	2-14-00184	2	Wheel
13	2-00-04962	2	O-Ring
14	2-00-00216	2	Screw, 3/8-16 x 2.000 HHC
15	2-00-00402	4	Flat Washer, .750 x .390 x .094
16	2-00-00615	2	Nut, Finish Hex
17	2-00-02360	2	Nut, 3/8 -16 Hex
18	2-00-05302	2	Screw, 3/8-16 x 1.25 HHC SS
19	2-00-05344	2	Bolt, Hex Tap 5/16-18 x 1.75 SS
20	2-00-05343	2	Bolt, Carriage, .38-16 x 3.50
21	56514792	1	Weldment - RH Bracket
22	56514859	1	Kit, Side Skirt, Squeegee
23	7-79-00086	2	Strap
24	7-55-08145	2	Pin - Lift
25	2-00-05320	2	Hair Pin
26	7-55-08121	2	Pin - Lock Up
28	2-00-05361	14	Washer, .563 x .281 x .063 SS
27	2-00-04690	14	Screw, 1/4-20 x 1.00 HHC SS #304
29	2-00-02312	2	Lock Washer, 1/2 HS Med.
30	2-00-04687	14	Lock Washer, Helical Spring 1/4 Med.
31	2-00-04688	14	Nut, 1/4-20 Hex
32	2-00-00598	4	Nut, .50-13 Hex
33	56514793	1	Weldment - LH Bracket



71079/12-05

Item	Ref. No.	Qty	Description
1	2-00-05345	1	Screw, 3/4-10 X 4.0 HHC
2	7-75-01166	1	Spacer
3	56514810	1	Bracket
4	2-00-00410	2	Flat Washer, .875 x .375 x .060
5	2-95-04182	1	Nut, 3/8-18 Hex Stop
6	2-00-00209	1	Bolt, 3/8-16 x 1.25 HHC
7	7-17-05019	1	Lift Cylinder
8	2-00-00522	1	Lock Washer, 3/4 Helical Spring
9	2-00-03293	1	Nut, 3/4-10 Fin. Hex Head
10	56514811	1	Arm, Squeegee Lift
11	7-55-08147	1	Pin Assembly
12	2-00-05320	1	Cotter Pin
13	2-00-04886	2	Set Screw, 3/8-16 x 1/2 (Allen Set)
14	2-00-04892	2	Fitting, 90° Elbow (O-Ring)
15	2-00-05356	2	Screw, 3/8-18 x 1.25 Hex Head
16	2-00-00586	2	Nut, 5/16-18 Jam
17	2-00-05103	4	Flat Washer .750 x .343 x .50
18	2-00-00644	4	Nut, 5/16-18 Fiber Insert Hex
19	7-13-05074	1	Chain, Squeegee Lift
20	56514835	1	Bracket, Squeegee Lift
21	2-00-02708	2	Screw, 5/16-18 x 1.0 HHM



08-4

**SWING SQUEEGEE SUPPORT**

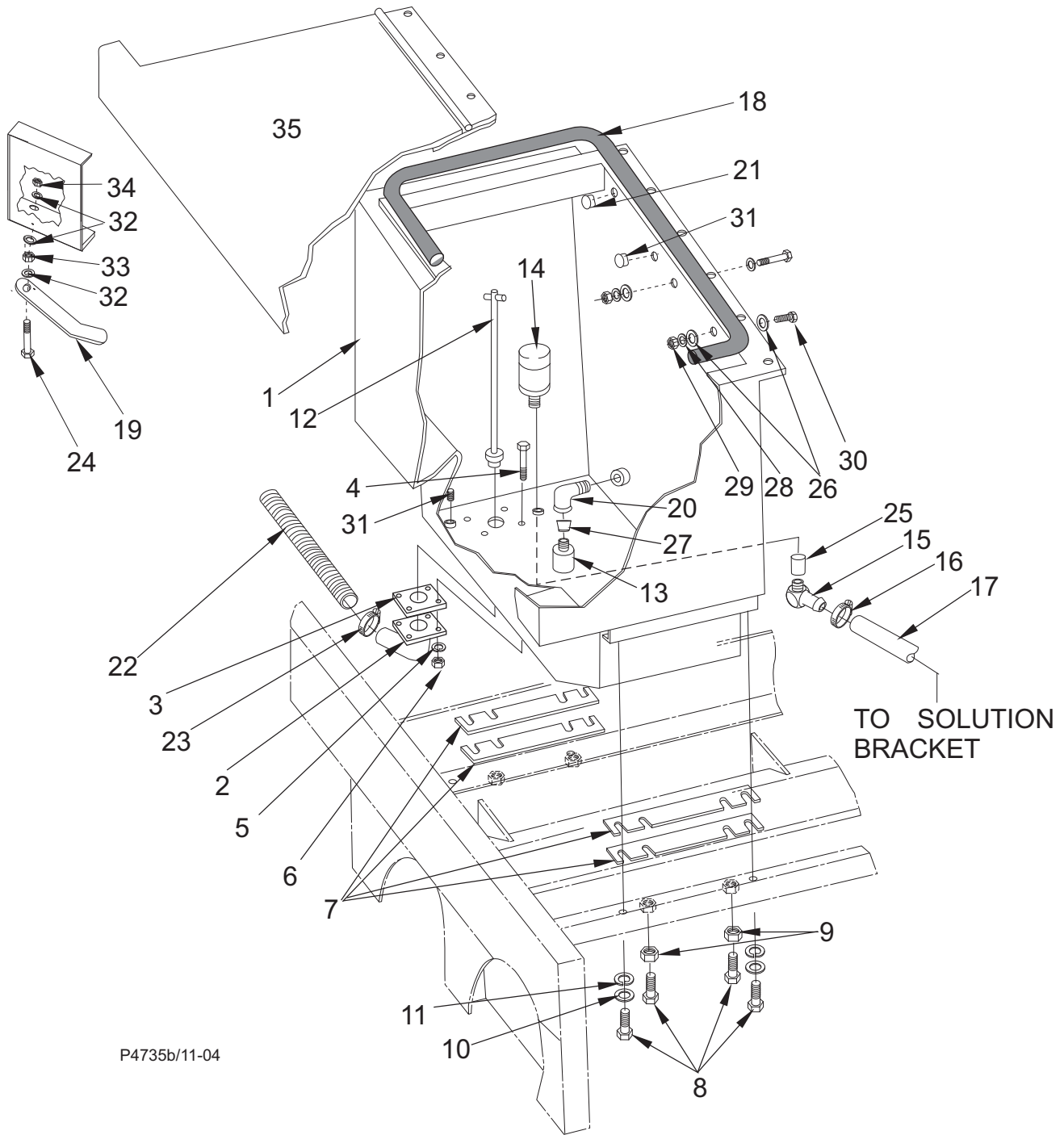
08-6

**7765****31**

Item	Ref. No.	Qty	Description
1	56514785	1	Pivot Bracket, Left
2	56514786	1	Pivot Bracket, Right
3	7-70-05174	2	Shaft
4	56514787	2	Support-Squeegee
5	8-15-01002	6	Collar, W/Setscrew
6	56514788	4	Arm-Squeegee
7	7-09-01057	8	Bushing, Brush Lift
8	56514790	2	Pin, Rear, Weldment
9	56514789	1	Weldment - Squeegee Support
10	56514791	2	Bracket, Angle
11	56304266	1	Wheel, Caster
12	2-00-00615	1	Nut, Hex, 5/8-11
13	2-00-00234	8	Screw, 3/8-16 X 1-1/2 HHC
14	2-95-04182	12	Nut, Hex, Stop, 3/8-16
15	2-00-05356	8	5/16-18 X 1.25", Hex Head Screw
16	2-00-00644	12	Nut, Hex, Insert Fiber, 5/16-18
17	2-00-00585	4	5/16-18, Hex Nut
18	2-00-00225	4	SCREW, 5/16 - 18 X 1.5 HHC
19	7-76-00114	2	Spring
20	2-00-00209	4	Bolt, Hex Head, 3/8-16 X 1 1/4 SS
21#	7-33-02381	1	Hose-Vacuum - 26" <b>NOTE 1</b>
22#	7-13-07104	4	Hose Clamp <b>NOTE 1</b>
23#	7-33-02380	1	Hose-Vacuum - 78.5" <b>NOTE 1</b>
24	56109196	2	Tie, Cable Nylon 6/6
25	2-00-04937	2	Hose Tie W/ Eyelet
26	7-76-00050-1	2	Spring - Extension

# = Revised or new since last update

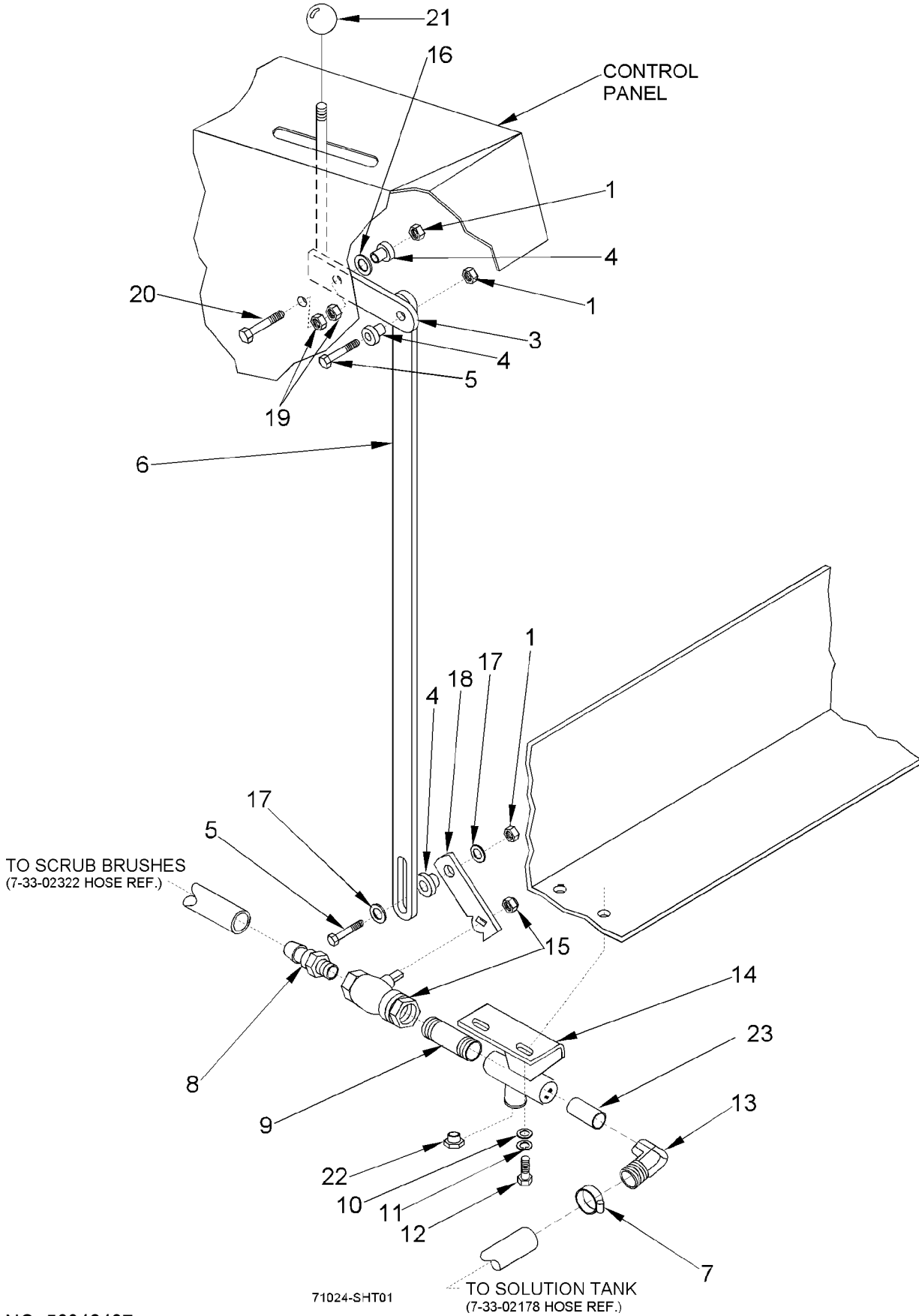
**NOTE 1:** Part of Kit 0780-467



P4735b/11-04

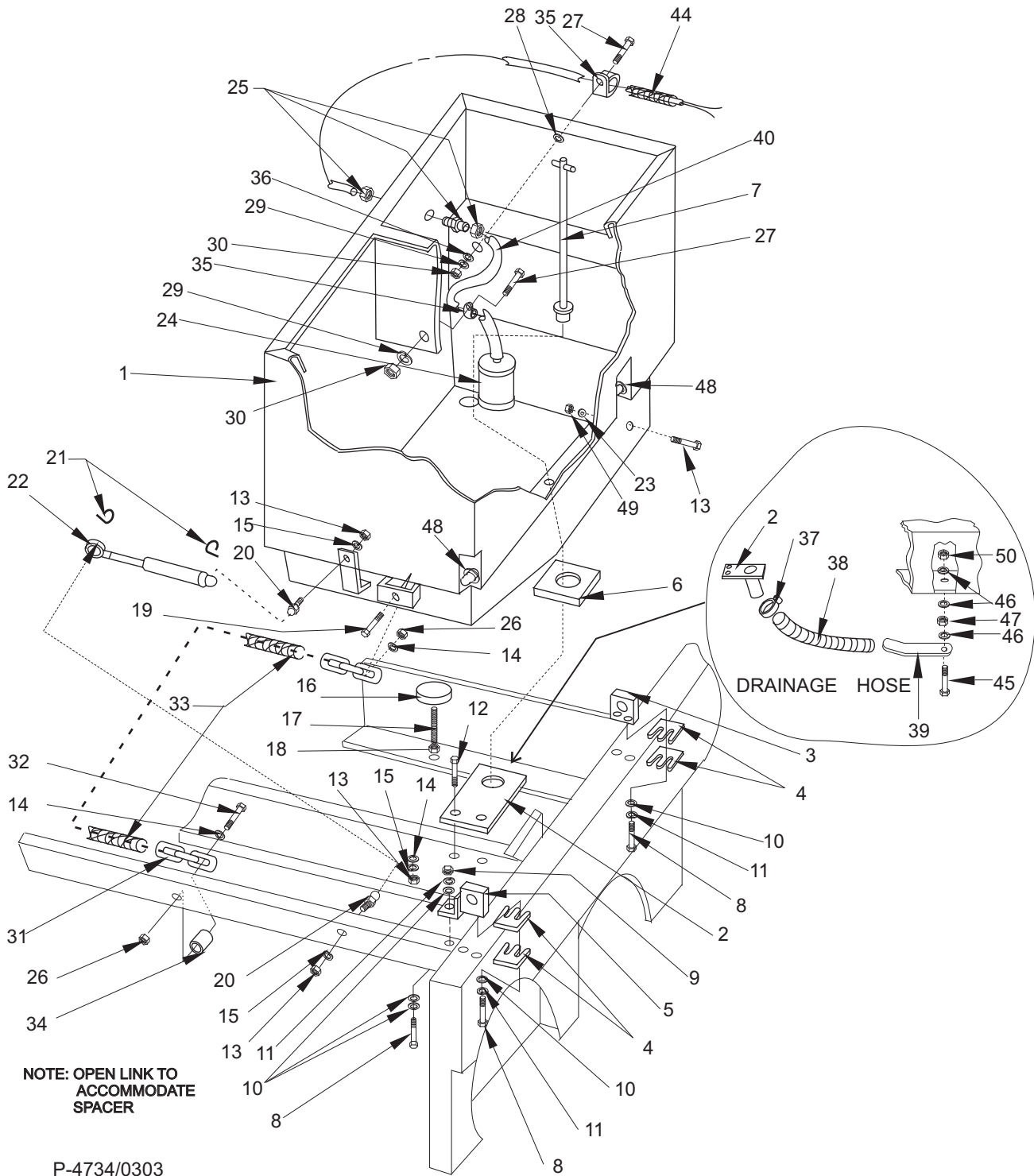


Item	Ref. No.	Qty	Description
1	56514830	1	Solution Tank, Stainless Steel (Standard)
	56514871		Solution Tank, Mild Steel (Option)
2	7-25-02046	1	Fitting, Drain
3	7-29-00100	1	Gasket, Tank Drain
4	56002884	4	Cap Screw, 5/16-18 x 1 1/4 SS
5	2-00-04691	4	Lock Washer, Helical Spring 5/16 Med SS
6	2-00-04692	4	Nut, Hex 5/16 - 18 x .50 x .265 SS
7	56514831	4	Spacer
8	2-00-01254	4	Screw, 1/2 - 13 x 1.50 HHC
9	2-00-02371	4	Nut, 1/2-13 Hex Jam
10	2-00-02312	4	Lock Washer, Helical Spring 1/2 Med
11	2-00-00405	4	Flat Washer, 1.062 x .531 x .093
12	7-25-02095	1	Drain Plug Assembly
13	7-82-00017	1	Switch, Float
14	7-24-04022	1	Strainer, Pump Inlet
15	2-00-05132	1	Fitting, 3/4 NPT, 3/4 Barb 90°
16	2-00-02220	2	Hose Clamp, .812 - 1.500
17	7-33-02178	1	Hose
18	7-29-00176	1	Gasket, Solution Tank
19	7-32-03020	1	Holder, Hose
20	2-00-06529	1	Elbow, 90° 1/4 NPT
21	2-00-05724	1	Plug, 3/4 NPT Nylon
22	7-33-02335	1	Drain Hose, 44"
23	2-00-02216	1	Clamp, Hose
24	2-00-00234	1	Screw, 3/8-16 x 1.50 HHC
25	2-00-05686	1	Fitting, 3/4 NPT x 2" Nylon Nipple
26	2-00-04590	4	Washer, SS Sealing
27	2-00-06528	1	Reducer, 1/4 NPT - 1/8 NPT Brass
28	2-00-04687	4	Lock Washer, 1/4 SS
29	2-00-04688	4	Nut, 1/4-20 SS Hex
30	2-00-04685	4	Screw, 1/4 - 20 x .500 HHC SS
31	2-00-05940	2	Plug, 1/4 NPT Nylon
32	2-00-03979	3	Flat Washer, 3/8
33	2-00-02360	1	Nut, 3/8-16 Hex
34	2-00-04182	1	Nut, 3/8-16 Fiber Lock
35	56514796	1	Cover, Solution Tank



71024-SHT01

Item	Ref. No.	Qty	Description
1	2-00-00644	3	Fiber Insert Nut, Hex 5/16 - 18 x Hex
2			
3	7-41-05086	1	Solution Control Lever
4	7-09-01057	3	Bushing
5	2-00-00207	2	Screw, 5/16 - 18 x 1.250 HHC
6	56514784	1	Solution Control Link
7	2-00-03407	1	Hose Clamp
8	7-25-02052	1	Hose Fitting, 3/4 Barbed, 14 NPT Nylon
9	2-00-03586	2	Pipe Nipple, 3/4 NPT x 2.00 short
10	2-00-03702	2	Flat Washer, .625 x .281 x .062
11	2-00-00518	2	Lock Washer, Helical Spring 1/4 Med
12	2-00-00221	2	Screw, 1/4 - 20 x .750 HHC
13	2-00-05132	1	Fitting, 3/4 NPT, 3/4 Barbed, 90°, Nylon
14	7-08-00437	1	Bracket, Solution Pipe
15	7-88-00027	1	Ball Valve
16	2-00-03382	1	Spring Washer, .875 x .500 x .015
17	2-00-00409	2	Flat Washer, .687 x .343 x .0623
18	7-41-05085	1	Solution Valve Lever
19	2-00-00600	2	Nut, Hex Hvy. 3/8 - 16 x .687 x .359
20	2-00-00211	1	Screw, 5/16 - 18 x 1.750 HHC
21	8-39-00002	1	Knob
22	2-00-05724	1	Plug, Pipe, 3/4 NPT, Nylon
23	2-00-05131	1	Nipple, Closed 3/4 NPT x 1.38



NOTE: OPEN LINK TO ACCOMMODATE SPACER

P-4734/0303

Item	Ref. No.	Qty	Description
1#	56514775	1	Recovery Tank - Stainless Steel (Standard)
	56514870		Recovery Tank - Mild Steel (Option)
2	7-56-05023	1	Fitting Weldment
3	56514753	1	Support
4	7-71-00009	4	Shim
5	56514841	1	Bracket Weldment
6	7-29-00146	1	Gasket
7	7-25-02095	1	Drain Plug Assembly
8	2-00-00209	4	Screw, 3/8 - 16 x 1.250 HHC
9	2-00-02360	1	Nut, Hex, 3/8 - 16 x .562 x .328
10	2-00-04801	7	Washer, Flat, 1.000 x .390 x .062
11	2-00-02310	5	Washer, Lock, Helical Spring 3/8 Med
12	2-00-03569	2	Bolt, Carriage, 5/16 - 18 x .75
13	2-00-00183	1	Screw, PH THM 1/4-20 x .75
14	2-00-00409	4	Washer, 5/16 Flat SS
15	2-00-00530	4	Washer, Lock, Helical Spring 5/16 Med
16	7-78-05009	2	Stop
17	8-80-05014	2	Stud, 1/2-13 UNF-2A x 2.50
18	2-00-02371	2	Nut, Hex Jam, 1/2 - 13 x .750 x .312
19	2-00-00206	1	Screw, .313-18 x 1.00
20	7-80-05067	2	Stud, Gas Spring
21	7-13-07102	2	Safety Clip, Gas Spring
22	7-76-00103	1	Gas Spring, Recovery Tank Tilt
23	2-00-00518	1	Washer, 1/4 Med. Lock
24	7-82-00021	1	Switch, Float
25	8-09-01083	1	Connector, Float Switch
26	2-00-00644	6	Nut, Insert Fiber, .313-18
27	2-00-04685	9	Screw 1/4-20 x .75 HHC S.S.
28	2-00-04590	12	Washer, Sealing 1/4
29	2-00-04687	13	Washer, 1/4 Lock Split S.S.
30	2-00-04688	13	Nut, 1/4-20 Hex S.S.
31	7-13-05058	1	Chain
32	2-00-00207	2	Screw, 5/16-18 X 1.250 HHC
33	7-34-09018	1	Sleeve
34	7-75-01130	1	Spacer, .500 X .370 X .375
35	2-00-04602	3	Clamp, Float Switch
36	2-00-04689	1	Washer, 1/4 Flat S.S.
37	2-00-02216	1	Clamp
38	7-33-02336	1	Hose, 50.00
39	7-32-03020	1	Holder, Hose
40	8-08-07038	1	Hose
41	2-00-04690	3	Screw, 1/4 - 20 X 1.000 HHC
42	2-00-05028	6	Washer, Rubber
43	2-00-05236	6	Washer, Flat, 2.000 X .28 X .08 SS
44	8-43-00002	1	Loom, Wire
45	2-00-00234	1	Screw, HHC 3/8 - 16 X 1.500
46	2-00-00410	3	Washer, Flat, 3/8
47	2-00-02360	1	Nut, Hex, 3/8 - 16
48	2-00-00432	2	Washer, Flat, 1.125 x .766 x .063
49	2-00-00594	1	Nut, Hex, STD FIN 1/4-20
50	2-00-00643	1	Nut, Fiber, 3/8 - 16

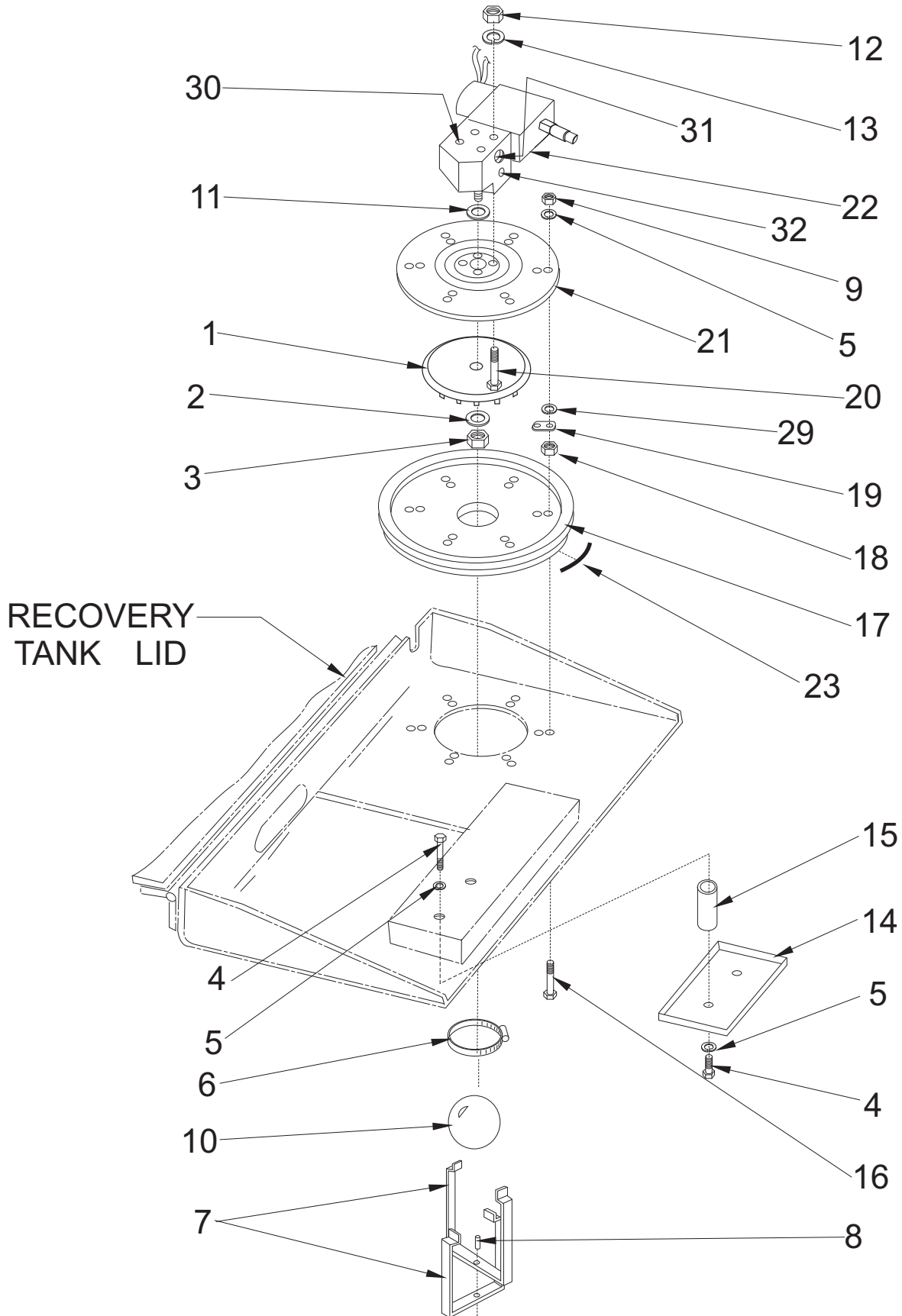
# = Revised or new since last update



Item	Ref. No.	Qty	Description
1	56514794	1	Recovery Tank Lower Cover
2	56514795	1	Recovery Tank Upper Cover
3	56514796	1	Solution Tank Cover
4	2-00-03702	2	Flat Washer, 1/4
5	3-73-00076	2.33'	Edging
6	2-00-02708	2	Screw, 5/16-18 x 1.0 HHC
7	2-00-01803	6	Flat Washer, 5/16
8	2-00-00644	1	Nut, Hex Fiber Insert 5/16-18
9	56514833	2	Strap
10	7-08-00490	1	Bracket
11	7-34-09020	1	Lower Cover Insulation
12	7-34-09019	1	Lower Cover Insulation
13	7-34-09021	1	Lower Cover Insulation
14	7-29-00229	1	Gasket, Center Section
15	7-66-00145	1	Cover Support Rod
16	7-29-00228	1	Gasket, Perimeter
17	7-76-00104	2	Gas Spring
18	7-80-05067	4	Stud (13 mm)
19	7-13-07102	4	Clip
20	2-00-01254	1	Screw, 1/2-13 x 1.50 HHC
21	2-00-00518	6	Lock Washer, 1/4
22	2-00-00594	2	Nut, Hex 1/4-20 x .437 x .218
23	2-00-04876	8	Screw, 1/4-20 x 1/2 BHS
24	2-00-00205	14	Screw, 1/4-20 x 1.0 HHC
25	2-00-00596	1	Nut, Hex 1/2-13 x .750 x .437
26	2-00-00530	8	Lock Washer, 5/16 Helical Spring
27	2-00-00585	6	Nut, 5/16-18
28	8-41-00033	1	Latch Assembly
29	2-00-00049	4	Screw, 10-24 x 1/2
30	2-00-01974	2	Sealing Washer, .562 x #10 x .065
31	2-00-00519	4	Lock Washer, #10 Helical Spring
32	2-00-00605	4	Nut, Hex MS #10-24 x .375 x .125
33	2-00-00208	2	Screw, 5/16-18 x 3/4 HHC
34	7-23-03048	1	Spring Washer, .750 x .312 x .013
35	2-00-00409	3	Flat Washer, 5/16
36	2-00-04707	31	Pop Rivet, .125 Dia.
37	7-79-00081	2	Strap, Gasket Retainer
38	7-79-00082	1	Strap, Gasket Retainer
39	2-00-00455	31	Flat Washer #6
40	7-79-00087	2	Strap, Gasket Retainer
41	0780-467	1	Vac Hose

Key No.s 4, 5 and 6 must be ordered together for proper fit.

Lid Gasket Kit: 0880-644





08-4

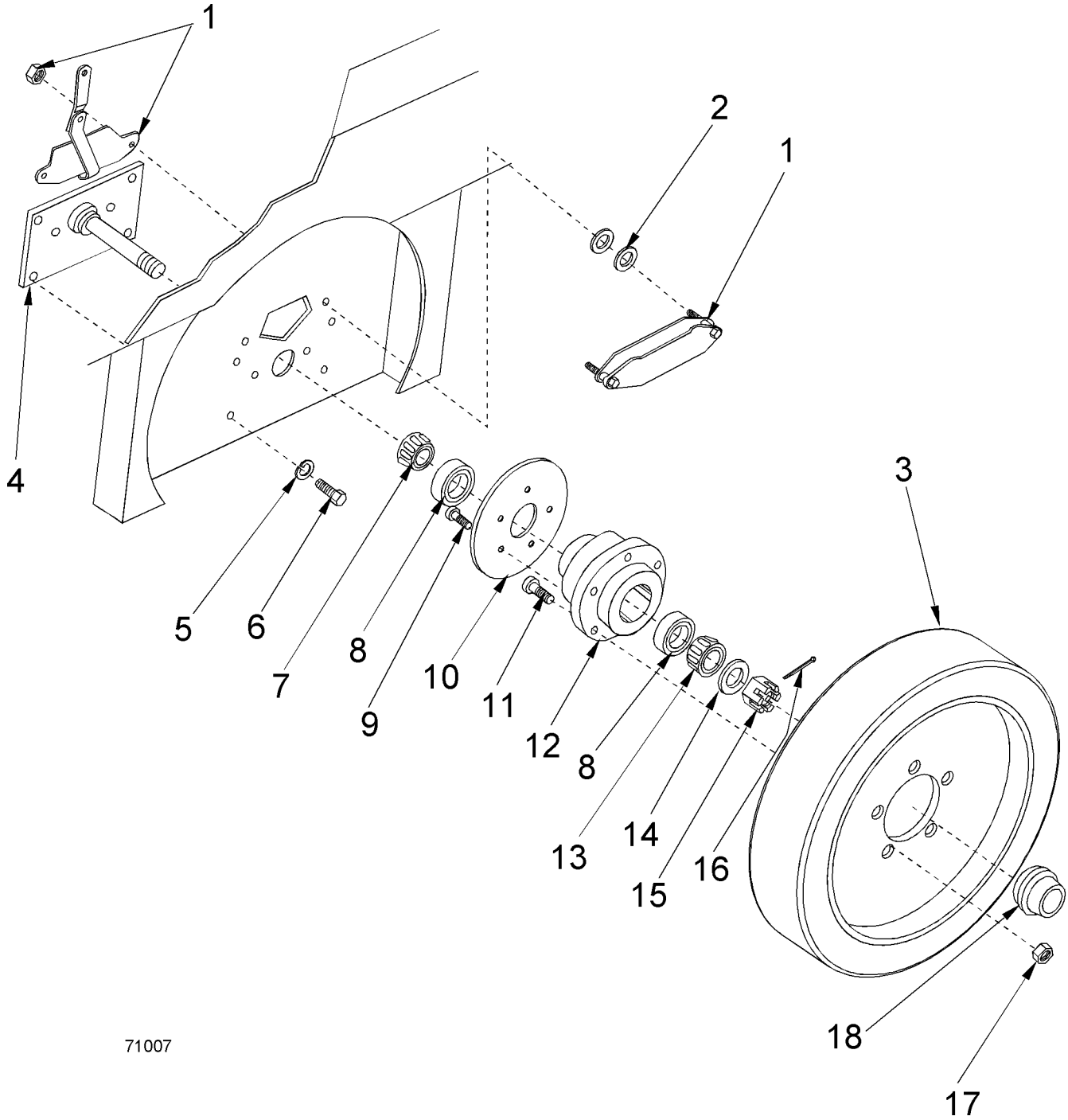
**VACUUM MOTOR & FLOAT**

08-6

**7765****41**

Item	Ref. No.	Qty	Description
1	7-34-04002	1	Impellor
2	2-00-00402	1	Flat Washer, .750 x .390 x .093
3	2-00-03412	1	Nut, Lock 3/8 - 24 x .562 x .281
4	2-00-00251	4	Screw, 1/4 - 20 x .500 HHCBB
5	2-00-00518	16	Lock Washer, Helical Spring 1/4 Med
6	2-00-03959	1	Hose Clamp, 3.562 - 4.500
7	7-79-00061	2	Strap-Float Ball
8	2-00-04115	1	Pop Rivet
9	2-00-00594	12	Nut, Hex 1/4 - 20 x .437 x .218
10	7-26-04011	1	Ball Float
11	2-00-00484	1	Spacer, .625 x .375 x .046
12	2-00-00585	4	Nut, Hex 5/16 - 18 x .50 x .265
13	2-00-00530	4	Lock Washer, Helical Spring 5/16 Med
14	7-68-00025	1	Screen
15	7-81-00134	2	Support
16	2-00-00222	12	Screw, 1/4 - 20 x 1.250 HHC
17	7-20-06004	1	Fan Duct
18	2-00-00641	12	Nut, Hex Fiber Insert 1/4 - 20
19	7-75-01159	6	Spacer
20	2-00-02653	4	Screw, 5/16 - 18 x 3.500 HHC
21	7-16-07276	1	Fan Cover
22	0782-145	1	Vacuum Motor
#	7-70-00020		Seal Kit
#	7-14-07007		Coil
#	7-12-02019		Valve
23	7-21-04029	1	Edging
24	2-00-04707	31	Rivet, 1/8 x .312
25	7-79-00081	2	Strap, Gasket Retainer
26	7-79-00082	1	Strap, Gasket Retainer
27	2-00-00455	31	Flat Washer, #10 Brass
28	7-79-00087	2	Strap, Gasket Retainer
29	2-00-03702	1	Washer, .625 x .281 x .063
30	2-00-04885	1	Fitting, SAE - OR 90 EL (not shown)
31	2-00-04975	1	Fitting, 45 - EL 8 ORS-8 SAE (not shown)
32	2-00-04976	1	Fitting, 45 - EL 4 ORS-4 SAE (not shown)

# = Revised or new since last update



71007

08-4

## FRONT WHEEL &amp; BRAKE

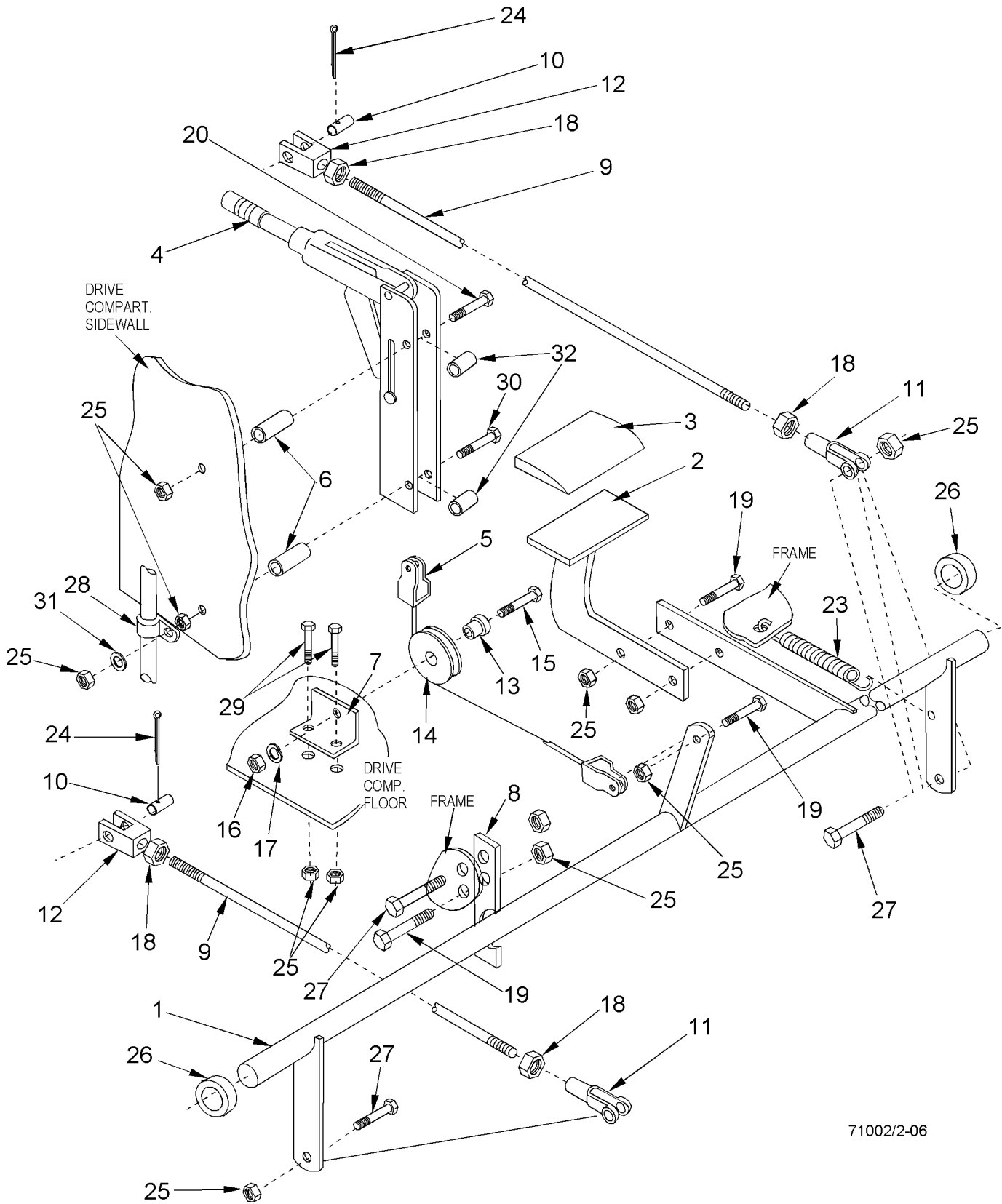
08-6

7765

43

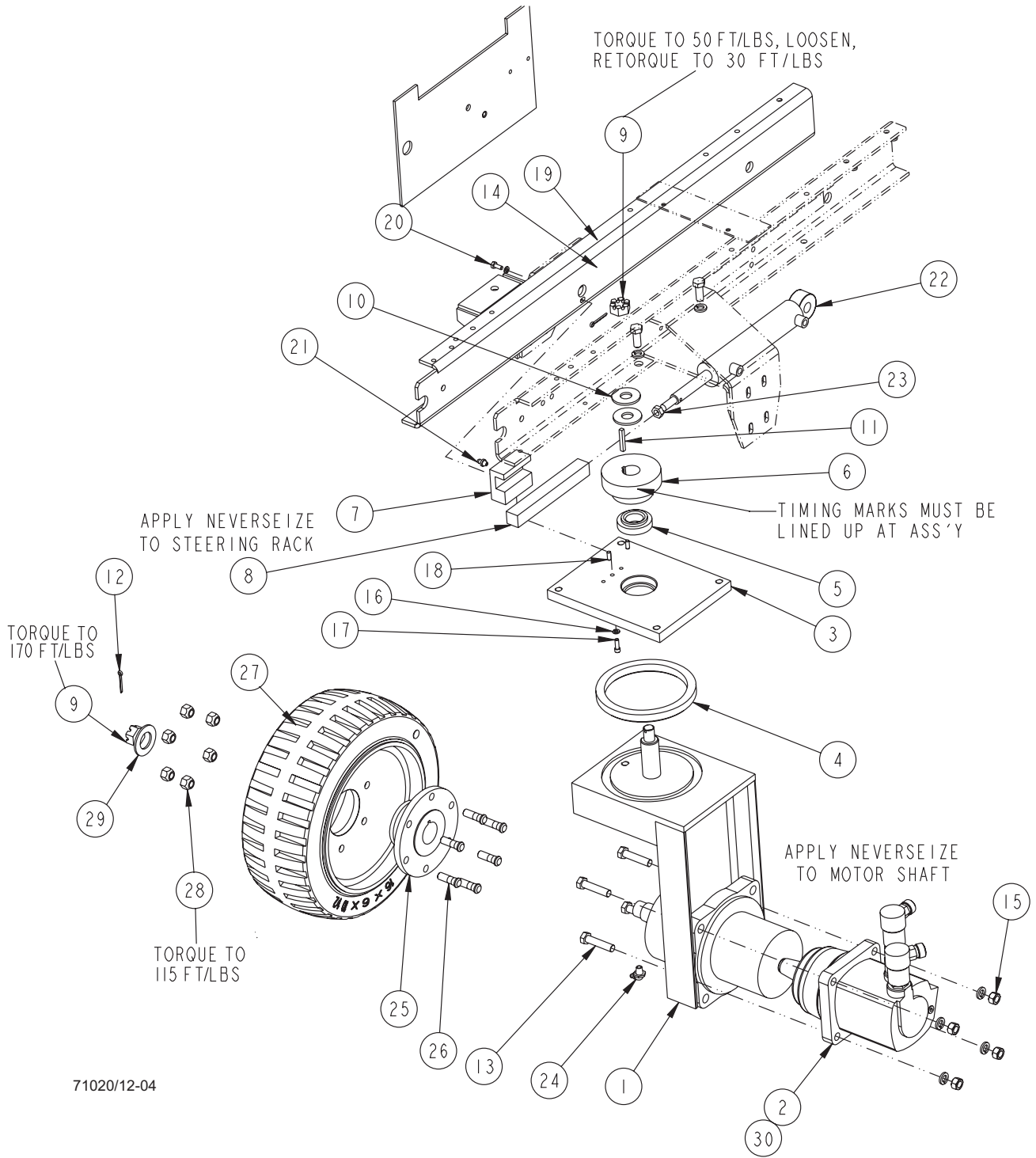
Item	Ref. No.	Qty	Description
1	7-08-02006	1	Brake Caliper Assembly Weldment
#			DELETED
2	2-00-04801	2	Flat Washer
3	7-89-08098	1	Molded Wheel
4	7-03-09007	1	Stub Axle Weldment
5	2-00-02312	6	Lock Washer, Helical Spring ½ Med.
6	2-00-02689	6	Screw, 1/2-20 x 1.0 HHC
7	2-00-02079	1	Roller Bearing, 2.328 x 1.250 x .703
8	2-00-04621	2	Roller Bearing, Cup Only
9	2-00-03051	5	Screw, 1/4-20 x 3/4 HSHC
10	7-08-02007	1	Brake Disc
11	8-80-05036	5	Stud, 1/2-20 x 1.56
12	7-33-09027	1	Hub, Front Wheel
13	2-00-04622	1	Roller Bearing, Cone (Timken)
14#	2-00-05024	1	Wash Flat
15	2-00-05026	1	Nut, 1-14 Fin. Slotted Hex
16	2-00-02436	1	Cotter Pin, .187 x 1.50
17	8-23-03065	5	Lug Nut, 1/2-20 x .800 x .620
18	8-11-00030	1	Dust Cap

# = Revised or new since last update



71002/2-06

Item	Ref. No.	Qty	Description
1	7-70-05145	1	Cross Shaft
2	56514754	1	Brake Pedal
3	8-50-05063	1	Pad, Brake Pedal
4	7-41-05083	1	Lever, Parking Brake
5	7-10-00019	1	Cable, Parking Brake
6	7-75-01096	2	Spacer, Lever Mounting
7	7-08-00501	1	Bracket, Brake Pulley
8	7-08-00502	1	Bracket, Brake Cross Shaft
9	7-66-00143	2	Rod, Brake
10	7-55-08122	2	Pin, Brake Clevis
11	8-14-01001	2	Clevis, 3/8 Rod
12	8-14-01007-1	2	Clevis, Brake Pedal
13	8-09-01065	1	Bushing, Pulley
14	8-60-00140	1	Pulley
15	2-00-00234	1	Screw, 3/8-16 x 1.50 HHC
16	2-00-02360	1	Nut, 3/8-16 x .562 x .328 Hex
17	2-00-02310	1	Lock Washer, 3/8 Helical Spring
18	2-00-02369	4	Nut, 3/8-16 x .562 x .218 Hex Jam
19	2-00-00206	5	Screw, 5/16-18 x 1.0
20	2-00-01770	1	Screw, 5/16-18 x 2.75 HHC
21			Intentionally Omitted
22			Intentionally Omitted
23	7-76-00102	1	Spring
24	2-00-02428	2	Cotter Pin, .062 x .750
25	2-00-00644	12	Nut, 5/16-18 Fiber Insert Hex
26	7-15-01014	2	Collar w/setscrew, 1.625 x 1.00 x .750
27	2-00-00207	3	Screw, 5/16-18 x 1.25 HHC
28	2-00-04873	1	Clamp, 1/2 Cable
29	2-00-00208	2	Screw, 5/16-18 x .75 HHC
30	2-00-02597	1	Screw, 5/16-18 x 3.25 HHC
31	2-00-00409	1	Flat Washer, .687 x .343 x .062
32	7-75-01126	2	Spacer, .500 x .327 x .780 (Part of #4)



71020/12-04

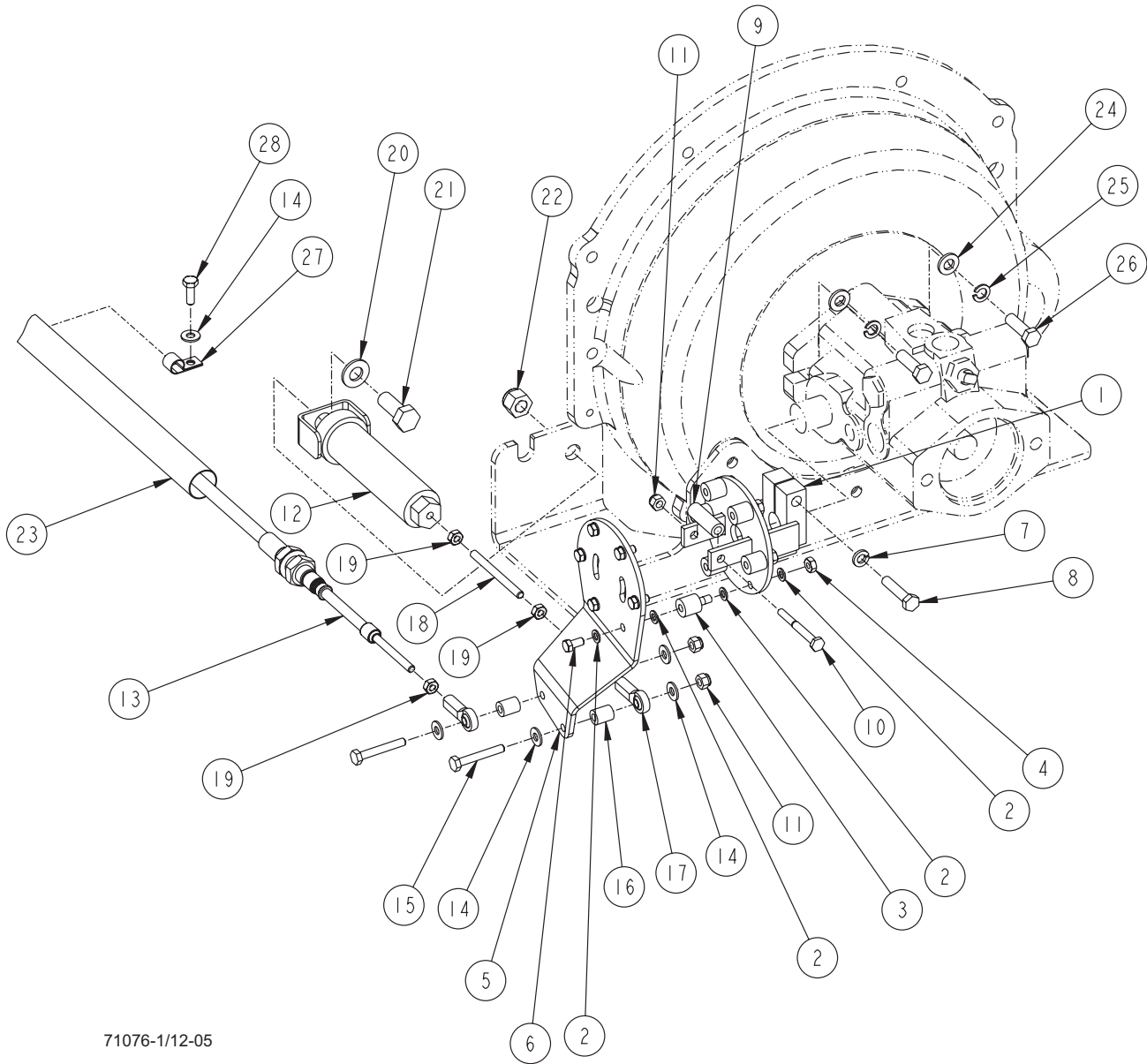
08-4	<b>REAR WHEEL</b>			
08-6	<b>7765</b>			<b>47</b>

Item	Ref. No.	Qty	Description
1#	7-81-00125	1	Support, Rear Wheel
2	0885-051-1	1	Hydraulic Motor
#	8-70-00026		(Key: - one comes w/motor)
#			DELETED
#	0880-586		(Motor Seal Kit: - Service Part)
#	0880-238		(Shaft Seal Kit: - Service Part)
3	7-58-05229	1	Bearing Plate
4	2-00-04455	1	Thrust Bearing (TIMKEN -#T581)
5	2-00-04456	1	Cup Bearing (TIMKEN - #15245)
6	7-29-05037	1	Spur Gear
7	7-30-08012	1	Rack Guide
8	7-62-00006	1	Rack
9	2-00-04841	2	Nut, 3/4-16 x 1.125 x .641 Slotted Hex
10	8-75-01157	2	Flat Washer, 3/4 Series W
11	2-00-03761	1	Key, .250 x 1.750 SQ.
12	2-00-04803	2	Cotter Pin, 1/8" dia. x 2.00 STL
13	2-00-00242	4	Screw, 1/2 - 13 x 2.250 HHC
14	2-00-02312	8	Lock Washer, Helical Spring 1/2 Med
15	2-00-00596	4	Nut, Hex 1/2 - 13 x .750 x .437
16	2-00-00518	2	Lock Washer, Helical Spring 1/4 Med
17	2-00-03051	1	Screw, 1/4-20 x .750 SHCS
18	2-00-01260	2	Dowel Pin, .250 x .625
19	2-00-00240	4	Screw, 1/2 - 13 x 1.250 HHC
20	2-00-00220	1	Screw, 1/4 - 20 x .625 HHC
21	2-00-00566	1	Lubrication Fitting, Straight 1/8 NPT
22	7-17-05010	1	Power Steering Hydraulic Cylinder
23	2-00-00591	1	Nut, Hex Jam 1/2 - 20 x .750 x .312
24	2-00-02568	1	Lubrication Fitting, 45° 1/8 NPT
25*	7-33-09063	1	Hub, Drive Wheel
26*	7-80-05056-1	6	Studs Only
27*	7-89-08069	1	Tire & Outer Rim
[ ]#	0780-711	1	Tire, Rear Wheel Non Marking
[ ]#	7-89-08047	1	Tire, Rear Wheel Extra Traction
[ ]#	7-85-06008	1	Tire, Rear Wheel (Hvy Duty Option)
[ ]#	56504483	1	Tire, Rear Wheel (Directional) <b>TSBUS2008-1006</b>
28*	8-23-03065	6	Nut, Wheel
29	2-00-05225	1	Washer, 1.25 ID x 2.25 OD x .13

# = Revised or new since last update

\*Part of 6" press-on wheel complete assembly 7-89-08068

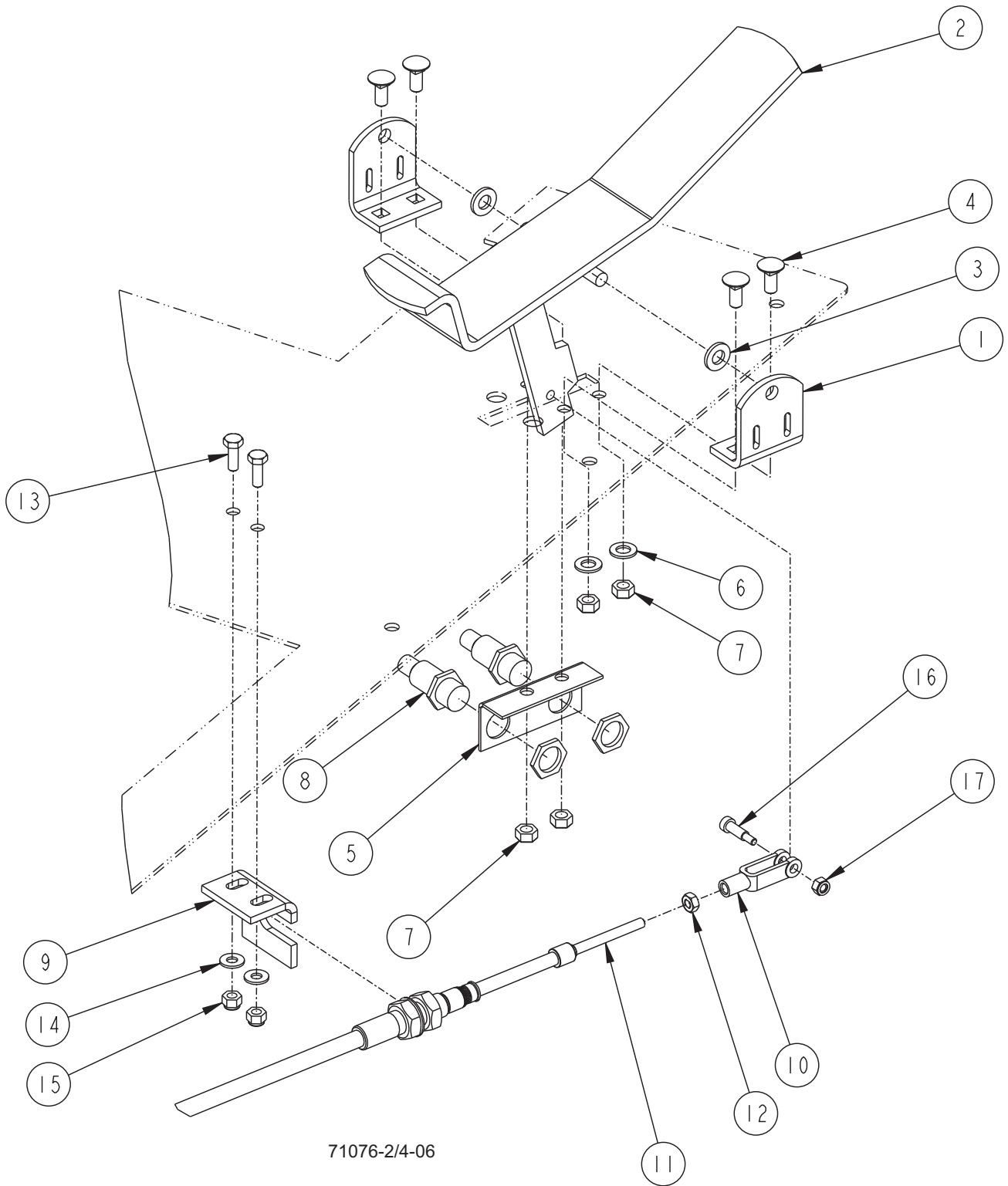
Hub Assembly w/pressed-in studs (Item No.'s 25 & 26): 0780-656



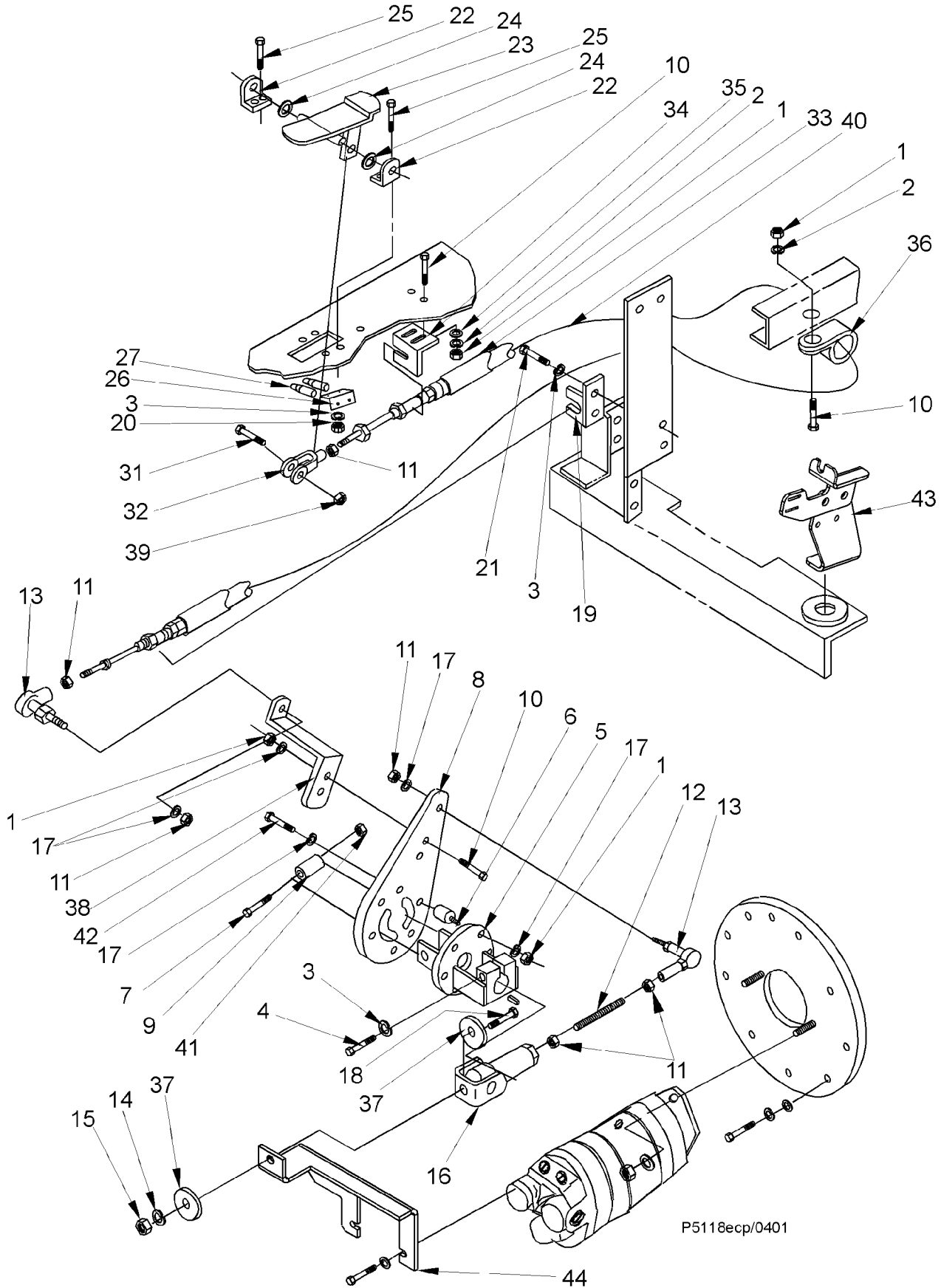
71076-1/12-05



Item	Ref. No.	Qty	Description
1	7-03-04105	1	Transmission Arm
2	2-00-00501	24	Lock Washer, 1/4 Int.
3	7-75-01089	6	Isolator
4	2-00-00594	6	Nut, 1/4-20 Hex
5	7-58-05361	1	Plate, Hydrostat Arm
6	2-00-00219	6	Screw, 1/4-20 x 1/2 HHC
7	2-00-00530	1	Lock Washer, 5/16 Med Helical Spring
8	2-00-00225	1	Screw, 5/16-18 x 1.5 HHC
9	7-75-01110	1	Spacer, Transmission Arm
10	2-00-00246	1	Screw, 1/4-20 x 2.25 HHC
11	2-00-00641	3	Nut, 1/4-20 Fiber Insert
12	8-16-00025	1	Centering Control
13	7-16-00009	1	Cable, Forward/Reverse Cable
14	2-00-03702	5	Washer, .625 x .281 x .063
15	2-00-01769	2	Screw, 1/4-20 x 1.75
16	7-75-01274	2	Spacer, 1/4 OD x 1/2 ID x 5/8
17	7-25-02111	2	Rod End, 1/4 Female
18	7-66-00147	1	Rod, 1/4-28 x 3.0 Centering Control Adjustment
19	2-95-01999	3	Nut, 1/4-28 x .437 x .156 Hex Jam
20	2-00-00405	1	Flat Washer, .750 x .281 x .062
21	2-00-00240	1	Screw, 1/2-13 x 1.25 HHC
22	2-00-04936	1	Nut, 1/2-13 Elastic Lock
23	7-34-09034	1	Reflective Sleeve, 1" dia. x 16"
24	2-00-00402	2	Flat Washer, .750 x .390 x .093
25	2-00-02310	2	Lock Washer, 3/8 Helical Spring
26	2-00-00209	2	Bolt, 3/8-16 x 1.25 Hex Head
27	2-00-04602	1	Clamp
28	2-00-00221	1	Screw, 1/4-20 x .750 HHC

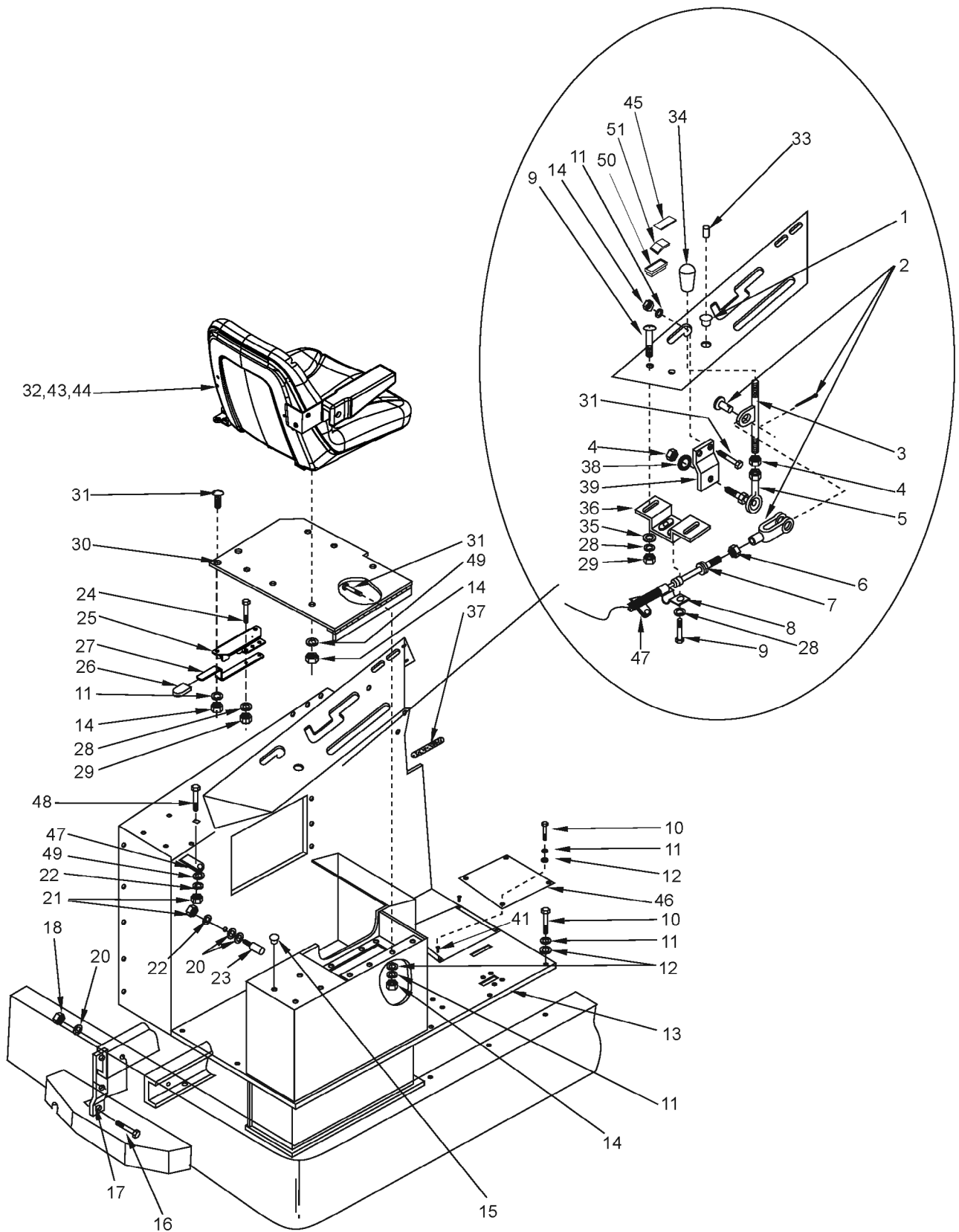


Item	Ref. No.	Qty	Description
1	56514806	2	Bracket, Foot Pedal Mount
2	56514807	1	Foot Pedal
3	2-00-00402	2	Flat Washer, .750 x .390 x .093
4	2-00-03569	4	Carriage Bolt, 5/16-18 x 3/4
5	56514808	1	Bracket, Foot Pedal Prox. Switch
6	2-00-00409	2	Flat Washer, .687 x .344 x .062
7	2-00-00585	4	Nut, 5/16-18 Fiber Insert Hex
8	7-82-00047	2	Switch, Low Dump Hopper Proximity
9	56514809	1	Bracket, Accel. Cable Mounting
10	8-14-01006	1	Clevis
11	7-16-00009	1	Cable, Forward/Reverse Cable
12	2-95-01999	1	Nut, 1/4-28 x .437 x .156 Hex Jam
13	2-00-00221	2	Screw, 1/4-20 x 3/4 HHC
14	2-00-03702	2	Washer, .625 x .281 x .063
15	2-00-00641	2	Nut, 1/4-20 Fiber Insert
16	2-00-04563	1	Shoulder Screw, 1/4 x 5/8
17	2-00-01246	1	Nut, #10-24 Elastic Stop



P5118ecp/0401

Item	Ref. No.	Qty	Description
1	2-00-00594	11	Nut, Hex 1/4 - 20 x .437 x .218
2	2-00-00518	3	Lock Washer, Helical Spring 1/4 Med
3	2-00-00530	5	Lock Washer, Helical Spring 5/16 Med
4	2-00-00225	1	Screw, 5/16-18 x 1.500 HHC
5	7-03-04105	1	Transmission Arm
6	7-75-01089	6	Isolator, 1/4-20
7	2-00-00246	1	Screw, 1/4-20 x 2.250 HHC
8	7-58-05220	1	Transmission Arm Plate
9	7-75-01110	1	Spacer, Transmission Arm
10	2-00-00221	5	Screw, 1/4-20 x .750 HHC
11	2-95-01999	4	Nut, Hex Jam 1/4-28 x .437 x .156
12	7-66-00147	1	Rod, 1/4-28 x 3.000
13	7-25-02050	2	Rod End, 1/4-28
14	2-00-02312	1	Lock Washer, Helical Spring 1/2 Med
15	2-00-02352	1	Nut, Hex 1/2-13 x .875 x .484
16	8-16-00025	1	Centering Control
17	2-00-00501	16	Lock Washer, 1/4 Int.
18	2-00-00240	1	Screw, 1/2-13 x 1.250 HHC
19	7-08-00583	1	Centering Control Bracket
20	2-00-00585	4	Nut, Hex 5/16-18 x .500 x.265
21	2-00-00208	2	Screw, 5/16-18 x .750 HHC
22	56514806	2	Forward Reverse Pedal Bracket
23	56514807	1	Forward Reverse Pedal
24	2-00-00402	2	Flat Washer, .750 x .390 x .093
25	2-00-03569	4	Carriage Bolt, 5/16 - 18 x .75
26	56514808	1	Bracket, Foot Pedal Prox. Switch
27	7-82-00047	2	Switch, Proximity
31	2-00-04563	1	Screw, #10-24 x .625 x .375 SH
32	8-14-01006	1	Clevis
33	7-16-00009	1	Forward / Reverse Cable
34	56514809	1	Cable Mounting Bracket
35	2-00-03702	2	Flat Washer, .750 x .281 x .062
36	2-00-04602	1	Hose Clamp, .500
37	2-00-00405	2	Flat Washer, .500
38	7-03-04106	1	Transmission Arm
39	2-00-01246	1	Nut, Hex Fiber Insert #10-24
40	7-34-09018	1	Insulating Sleeve
41	2-00-00641	1	Nut, Hex Fiber Insert 1/4-20
42	2-00-00219	6	Screw, 1/4-20 x .500 HHC
43	7-08-01209	1	Bracket, Forward/Reverse Cable
44	7-08-00585	1	Hydroback Bracket

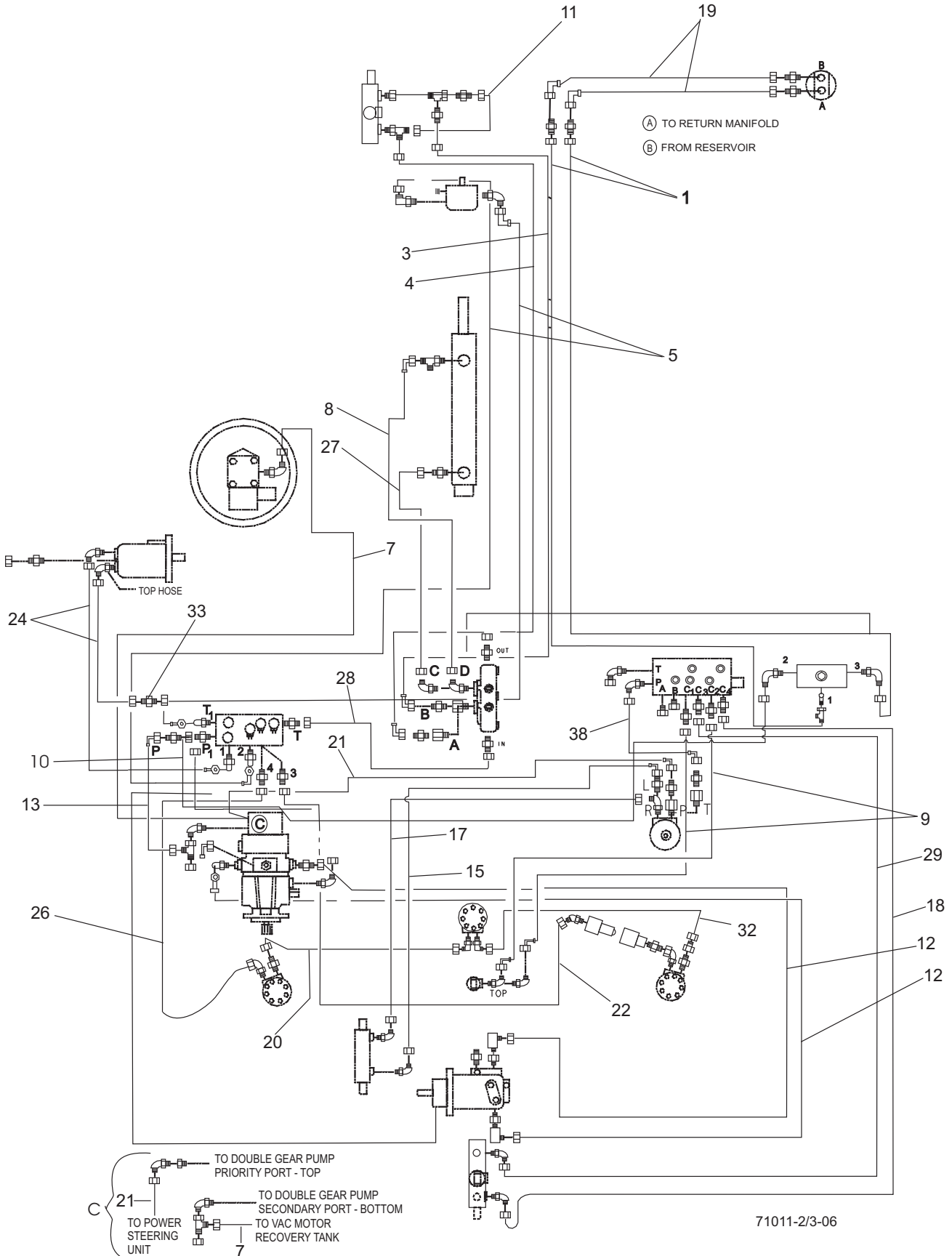


Item	Ref. No.	Qty	Description
1*	2-00-02011	1	Plastic Plug, .440 Dia.
2*	7-14-07006	1	Clevis
3*	7-41-05092	1	Lever, Throttle Control
4	2-95-01999	2	Nut, Hex Jam 1/4-28 x .437 x .156
5*	7-25-02050	1	Rod End, 1/4-28
6	2-00-00626	1	Nut, Hex MS #10-32 x .375 x .125
7*	7-10-00024		Cable, Throttle
8*	8-13-07094	1	Clamp
9	2-00-03061	4	Screw, #10-24 x 1/2THM
10	2-00-00221	6	Screw, 1/4-20 x 3/4 HHC
11	2-00-00518	14	Lock Washer, 1/4 Helical Spring
12	2-00-03702	10	Flat Washer, .625 x .281 x .062
13	56514836	1	Shell, Drive Compartment
14	2-00-00594	8	Nut, Hex 1/4-20 x .437 x .218
15	2-00-04514	4	Plastic Plug, .562 Dia.
16	2-00-00209	1	Screw, 3/8-16 x 1.0 HHC
17	56514810	1	Bracket, Drive Compartment Support
18#	56002839	1	Nut, Hex Nyl Loc 7/16-14
19#			DELETED
20	2-00-00402	3	Flat Washer, .750 x .390 x .062
21	2-00-00585	1	Nut, 5/16-18 x .500 x .265 Hex
22	2-00-00530	1	Lock Washer, 5/16 Helical Spring
23	7-55-08116	1	Striker Pin
24	2-00-04794	2	Screw, #10-24 x .625 BHS
25	8-41-00037	1	Rotary Latch
26	7-31-06061	1	Grip, Cover Latch
27	56514797	1	Handle, Seat Cover Latch
28	2-00-00519	6	Lock Washer, #10 Helical Spring
29	2-00-00605	4	Nut, #10-24 x .375 x .125 Hex
30	56514838	1	Cover
31	2-00-00220	8	Screw, 1/4-20 x .625 HHC
32	7-69-00008	1	Seat
33<	7-11-04080	1	Check Engine Light
34*	7-39-00017	1	Knob
35	2-00-00426	2	Flat Washer, .500 x .218 x .062
36*	56514799	1	Bracket, Throttle Cable Mounting
37	8-21-04019	1	Edging
38	2-00-00501	1	Lock Washer, 1/4 Int
39*	56514798	1	Bracket, Throttle Control Mounting
41	2-00-05261	4	Riv-Nut - 1/4-20 THD
43	7-72-05005	1	Slide Adjuster Kit
44	7-03-04249	1	Arm Rest Kit
45*	2-00-05868	1	Cover, Switch
46	56514800	1	Panel, Access
47*	2-00-04873	1	Clamp
48*	2-00-00196	1	Carriage Bolt, 5/16-18 x 1.0
49	2-00-00409	5	Flat Washer, .687 x .344 x .062
50<	2-00-05827	1	Base, Switch
51<	2-00-05988	1	Actuator, Throttle

# = Revised or new since last update

\* = Diesel Only

< = Gas & LP Only



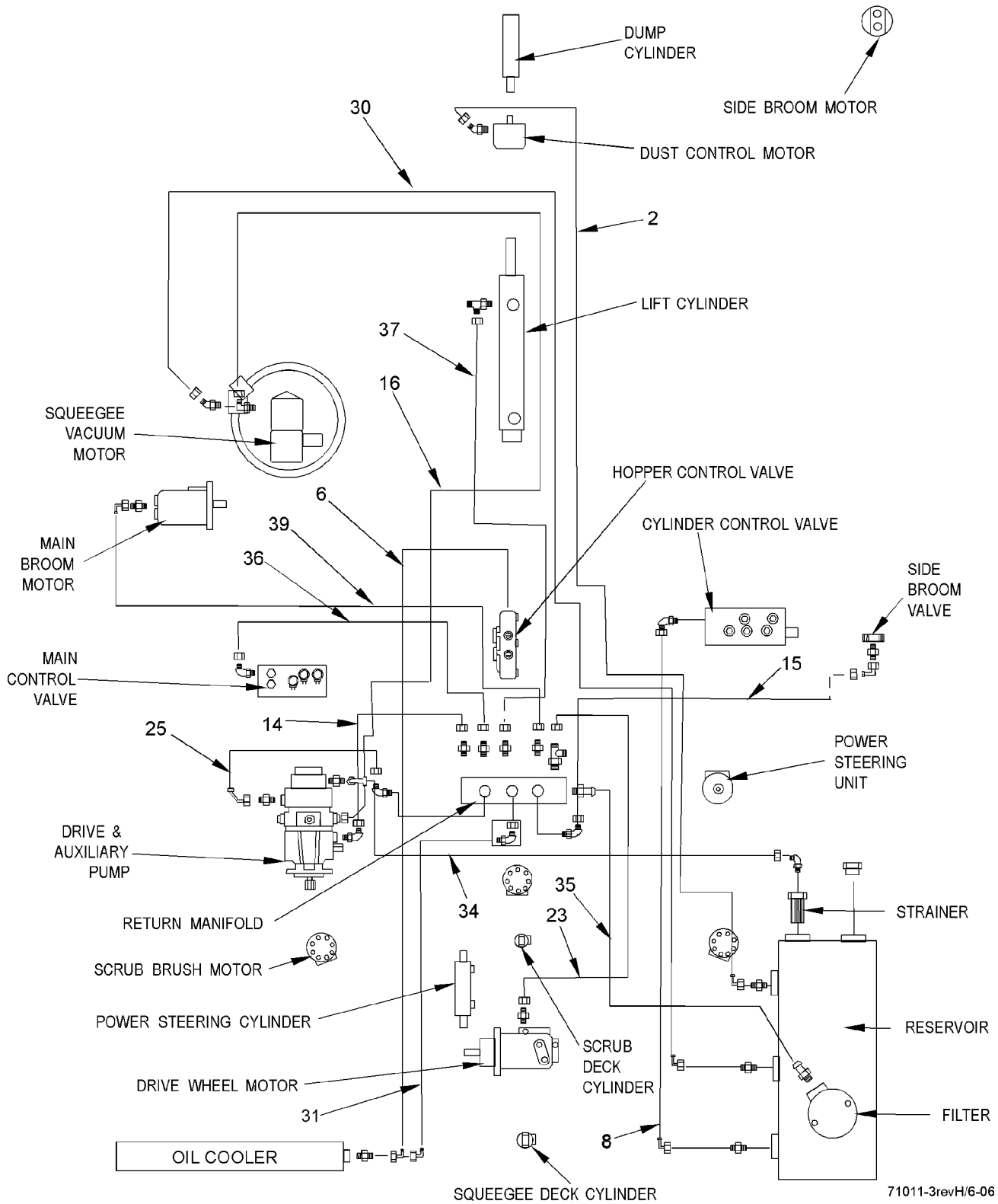


Item	Ref. No.	Qty	Description
1<	8-33-02277	2	Hydraulic Hose ORS 4-STR 110"
3<	8-33-02328	1	Hydraulic Hose ORS 4-90° to STR 78.5"
4<	7-33-02194	1	Hydraulic Hose ORS 4-90° to STR 80"
5<	7-33-02332	2	Hydraulic Hose ORS 8-90° to STR 102"
7+	8-33-02327	1	Hydraulic Hose ORS 8-STR 94"
7*	8-33-02195	1	Hydraulic Hose ORS 8-STR 69.5"
8+	7-33-02225	1	Hydraulic Hose ORS 4-90° to STR 38"
9+	7-33-02189	2	Hydraulic Hose ORS 4-90° to STR 26"
10<	8-33-02218	1	Hydraulic Hose ORS 4-STR 60"
11<	8-33-02178	1	Hydraulic Hose ORS 4-STR 15"
12+	7-33-02223	2	Hydraulic Hose ORS 8-45° to STR 87"
13+	8-33-02202	1	Hydraulic Hose ORS 8-90° to STR 20"
15+	7-33-02191	1	Hydraulic Hose ORS 4-90° to STR 42"
17+	7-33-02225	1	Hydraulic Hose ORS 4-90° to STR 38"
18+	8-33-02218	1	Hydraulic Hose ORS 4-STR 60"
19	8-33-02320	2	Hydraulic Hose ORS 4 90° to STR 64"
20	7-33-02327	1	Hydraulic Hose ORS 8-90° to STR 15.25"
21+	7-33-02334	1	Hydraulic Hose ORS 4-90° to STR 52.25"
22+	7-33-02546	1	Hydraulic Hose ORS 8-90° to STR 42.5"
24+	8-33-02214	2	Hydraulic Hose ORS 8-STR 29"
26+	7-33-02403	1	Hydraulic Hose, ORS 4-90° to STR 29"
27<	8-33-02178	1	Hydraulic Hose ORS 4-STR 15"
28<	8-33-02201	1	Hydraulic Hose ORS 8-45° to STR 18"
29+	8-33-02189	1	Hydraulic Hose ORS 4-STR 65"
32	7-33-02326	1	Hydraulic Hose ORS 8-90° to STR 17"
33	2-00-04987	1	ORFS Union, 13/16-16
38+	7-33-02190	1	Hydraulic Hose ORS 4-STR 67"

\* = Diesel Only

+ = Components of 0760-961, 7765 common hydraulic hose kit.

< = Components of 0760-962, 7765 VD hydraulic hose kit.



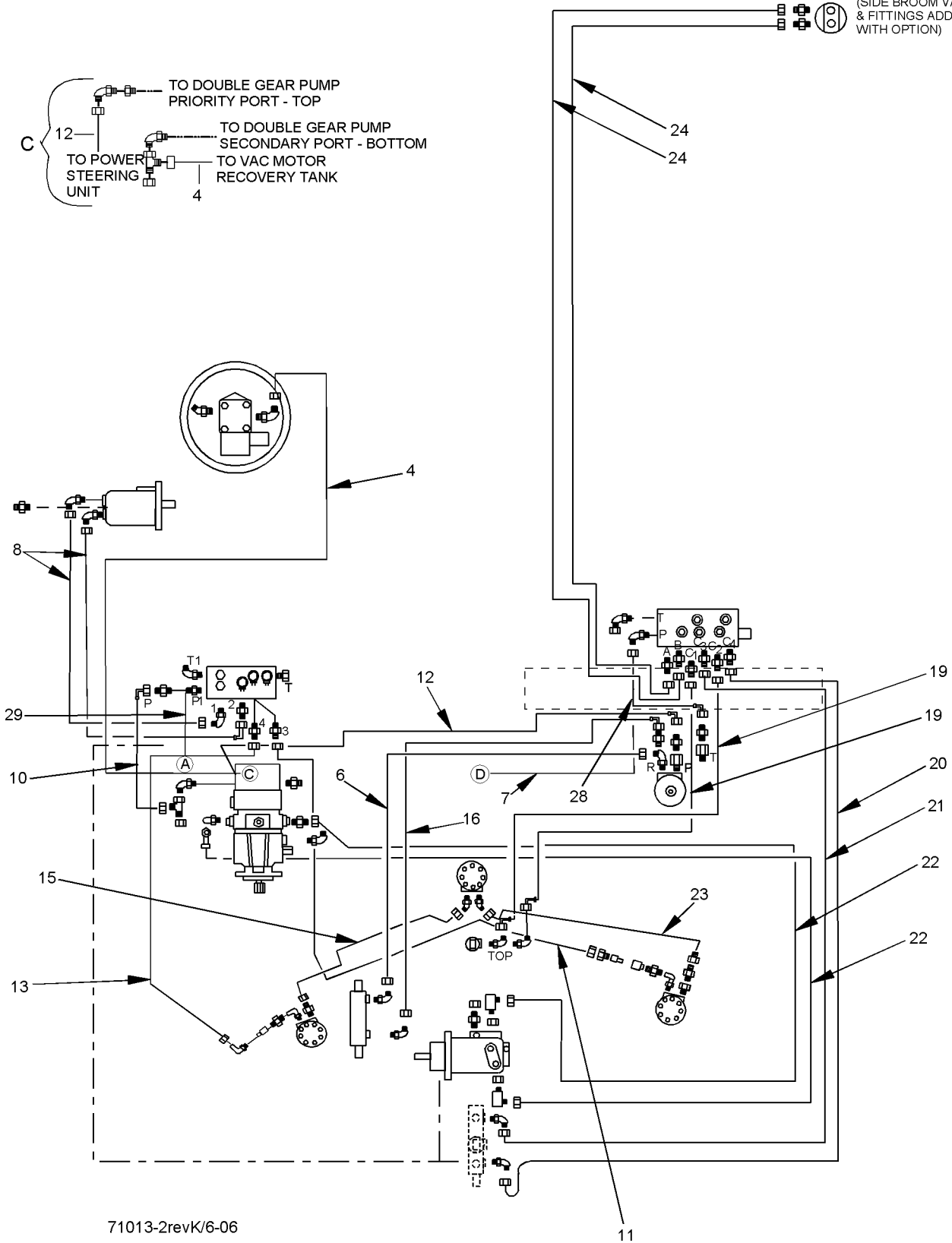
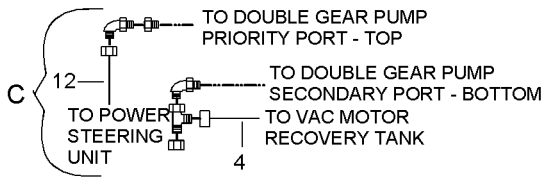
71011-3revH/6-06

Item	Ref. No.	Qty	Description
2*	7-33-02333	1	Hydraulic Hose ORS 4-90° to STR 119"
6*	7-33-02734	1	Hydraulic Hose ORS 8-90° to STR 68"
8*	7-33-02225	1	Hydraulic Hose ORS 4-90° to STR 38"
14#	7-33-02186	1	Hydraulic Hose ORS 4-STR 30"
15#	7-33-02191	1	Hydraulic Hose ORS 4-90° to STR 42"
16*	8-33-02192	1	Hydraulic Hose ORS 8-STR 80"
23#	8-33-02184	1	Hydraulic Hose ORS 4-STR 50.5"
25#	7-33-02197	1	Hydraulic Hose ORS 8-45° to STR 52.5"
30#	7-33-02224	1	Hydraulic Hose ORS 4-90° to STR 155"
31#	7-33-02551	1	Hydraulic Hose ORS 8-90° to STR 35"
34#	7-33-02331	1	Hydraulic Hose ORS 16-STR 46"
35	7-33-02244	1	Hydraulic Hose 1.0" ID Low Pressure 33"
36#	7-33-02180	1	Hydraulic Hose ORS 4-STR 37"
37*	8-33-02183	1	Hydraulic Hose ORS 4-STR 49"
39#	8-33-02200	1	Hydraulic Hose ORS 4-90° to STR 55"

# = Components of 0760-961, 7765 common hydraulic hose kit.

\* = Components of 0760-962, 7765 VD hydraulic hose kit.

SIDE BROOM  
OPTIONAL  
(SIDE BROOM VALVE  
& FITTINGS ADDED  
WITH OPTION)



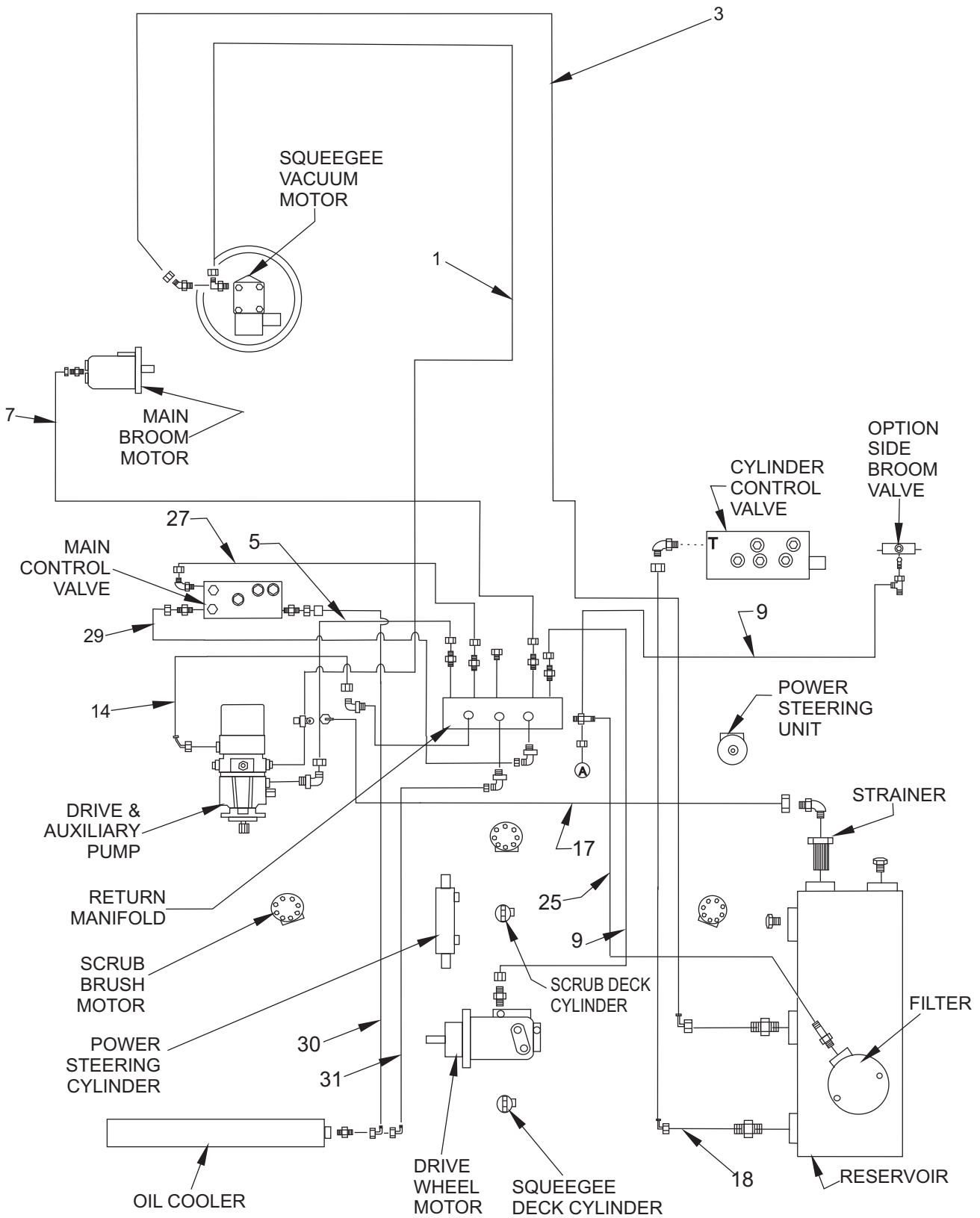
71013-2revK/6-06

Item	Ref. No.	Qty	Description
1	8-33-02192 (see page 62-63)	1	Hydraulic Hose ORS 8 Str. to JIC 8 Str. 80"
3+	7-33-02224 (see page 62-63)	1	Hydraulic Hose ORS 4-90° to Str. 155"
4+	8-33-02327	1	Hydraulic Hose ORS 8-Str.to 8 Str. 94"
4*	8-33-02195	1	Hydraulic Hose ORS 8-Str.to 8 Str. 69.5"
5	7-33-02186 (see page 62-63)	1	Hydraulic Hose ORS 4-Str. Ends 30"
6+	7-33-02225	1	Hydraulic Hose ORS 4-90° to Str. 38"
7+<	8-33-02200 (see page 62-63)	1	Hydraulic Hose ORS 4-90° to Str. 55"
8+	8-33-02214	2	Hydraulic Hose ORS 4-Str. to 4 Str. 29"
9	8-33-02184 (see page 62-63)	1	Hydraulic Hose ORS 4-Str. to 4 Str. 50.5"
10+	8-33-02202	1	Hydraulic Hose ORS 8-90° to 8 Str. 20"
11+	7-33-02546	1	Hydraulic Hose ORS 8-90° to 8 Str. 42.5"
12+	7-33-02334	1	Hydraulic Hose ORS 4-90° to 4 Str. 52.25"
13+	7-33-02403	1	Hydraulic Hose ORS 8-90° to 8 Str. 29"
14	7-33-02197	1	Hydraulic Hose ORS 8-45° to 8 Str. 52.50"
17	7-33-02331 (see page 62-63)	1	Hydraulic Hose ORS 16-Str. Ends 46"
18	7-33-02225 (see page 62-63)	1	Hydraulic Hose ORS 4-90° to Str. 38"
15	7-33-02327	1	Hydraulic Hose ORS 8-90° to 12 Str. 15.25"
16+	7-33-02191	1	Hydraulic Hose ORS 4-90° to Str. 42"
19+	7-33-02189	2	Hydraulic Hose ORS 4-90° to Str. 26"
20+	8-33-02218	1	Hydraulic Hose ORS 4-Str. 60"
21+	8-33-02189	1	Hydraulic Hose ORS 4-Str. 65"
22+	7-33-02223	2	Hydraulic Hose ORS 8-45° to Str. 87"
23	7-33-02326	1	Hydraulic Hose ORS 8-90° to 8 Str.17"
24+<	8-33-02216	2	Hydraulic Hose ORS 4-Str. 88"
25	7-33-02244 (see page 62-63)	1	1.0" Low Pressure 33"
28+	7-33-02190	1	Hydraulic Hose ORS 4-90° to Str. 67"
29	7-33-02187 (see page 62-63)	1	Hydraulic Hose ORS 8-Str. 42"
30+	7-33-02428 (see page 62-63)	1	Hydraulic Hose ORS 8-90° to Str. 57"
31+	7-33-02551 (see page 62-63)	1	Hydraulic Hose ORS 8-90° to Str. 35"

\* = Diesel Only

+ = Hoses are components of 0760-961 7765 common hydraulic hose kit.

< = Hoses for Side Broom Option

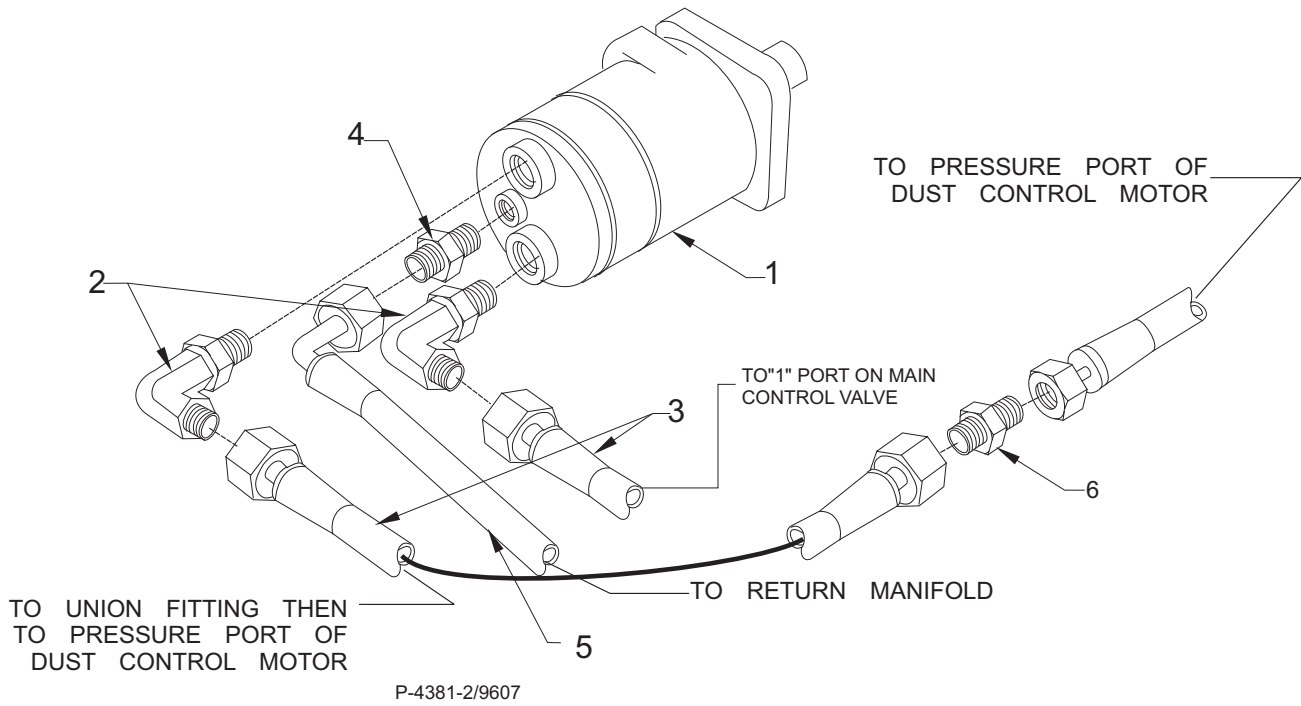


71013-3/1-06

Item	Ref. No.	Qty	Description
1	8-33-02192	1	Hydraulic Hose ORS 8 Str. to JIC 8 Str. 80"
3+	7-33-02224	1	Hydraulic Hose ORS 4-90° to Str. 155"
5	7-33-02186	1	Hydraulic Hose ORS 4-Str. Ends 30"
7+<	8-33-02200	1	Hydraulic Hose ORS 4-90° to Str. 55"
9	8-33-02184	1	Hydraulic Hose ORS 4-Str. to 4 Str. 50.5"
14	7-33-02197	1	Hydraulic Hose ORS 8-45° to 8 Str. 52.50"
17	7-33-02331	1	Hydraulic Hose ORS 16-Str. Ends 46"
18	7-33-02225	1	Hydraulic Hose ORS 4-90° to Str. 38"
25	7-33-02244	1	1.0" Low Pressure 33"
27	7-33-02180	1	Hydraulic Hose ORS 4-Str. to 4 Str. 37"
29	7-33-02187	1	Hydraulic Hose ORS 8-Str. 42"
30+	7-33-02428	1	Hydraulic Hose ORS 8-90° to Str. 57"
31	7-33-02551	1	Hydraulic Hose ORS 8-90° to Str. 35"

+ = Hoses are components of 0760-961 7765 common hydraulic hose kit.

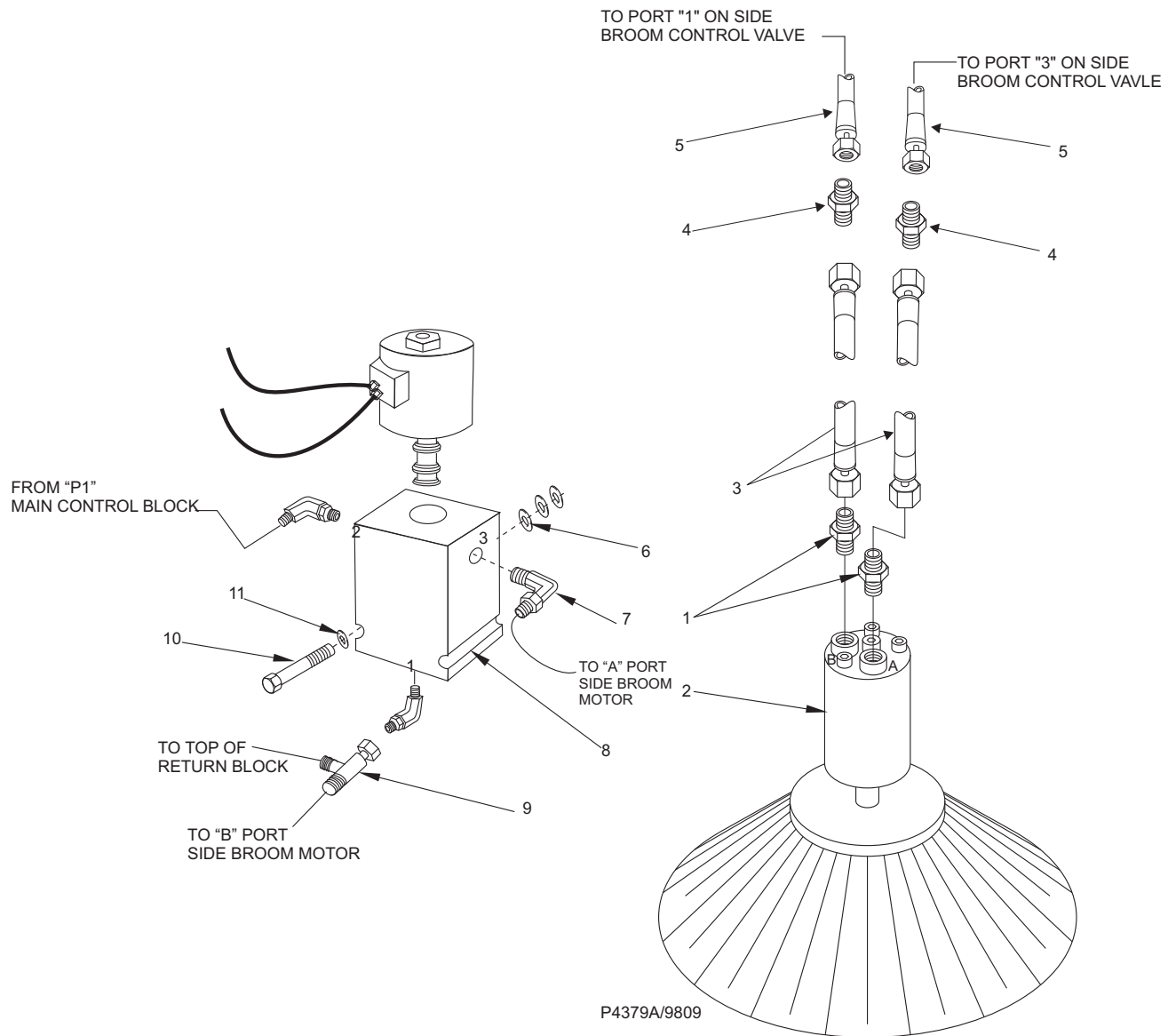
< = Hoses for Side Broom Option



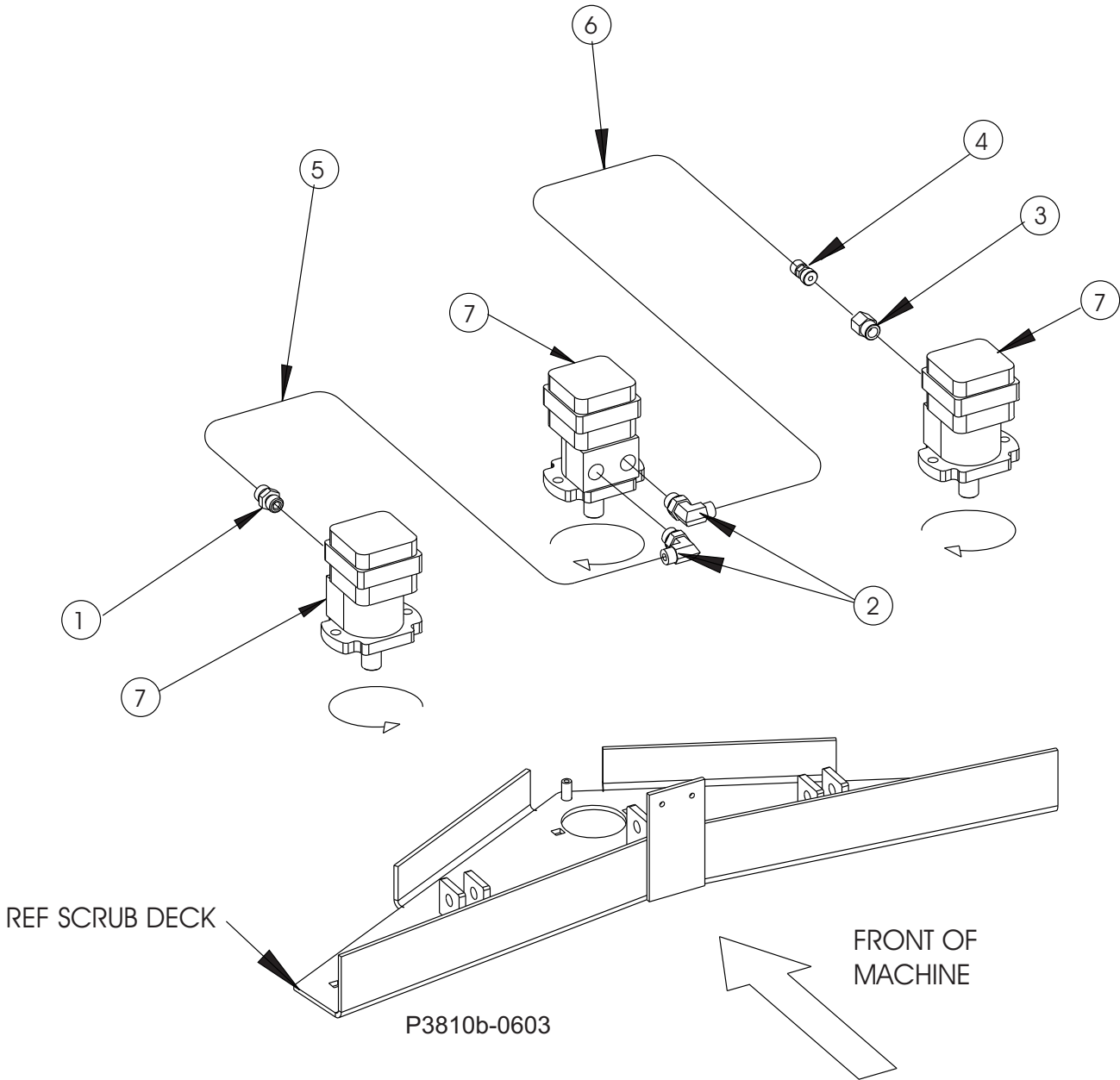
Item	Ref. No.	Qty	Description
1	0882-040	1	Main Broom Motor
#			DELETED
	56479577		Motor Seal Kit (Service Part)
2	2-00-04885	2	ORFS 90° Elbow, 3/4-16 to 13/16-16
3	8-33-02214	Ref.	Hose
4	2-00-04895	1	ORFS Connector, 7/16-20 to 9/16-18
5	8-33-02200	Ref.	Hose
6	2-00-04987	Ref.	ORFS Union, 13/16 - 16

# = Revised or new since last update

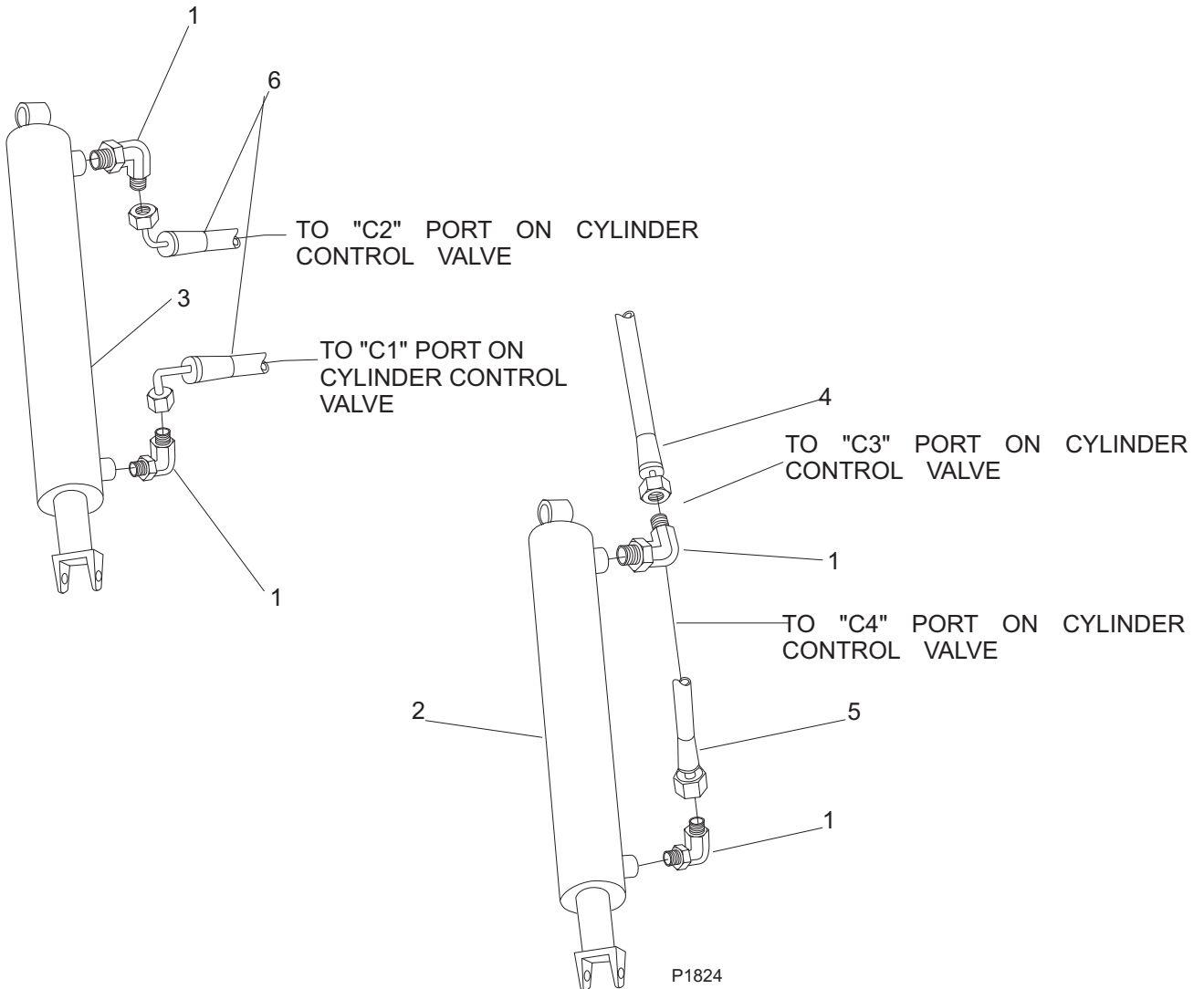




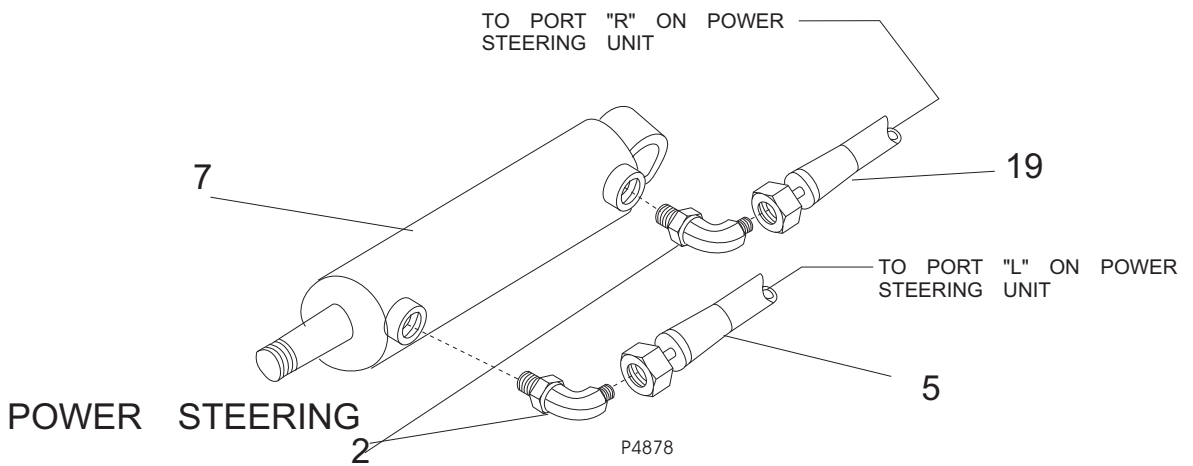
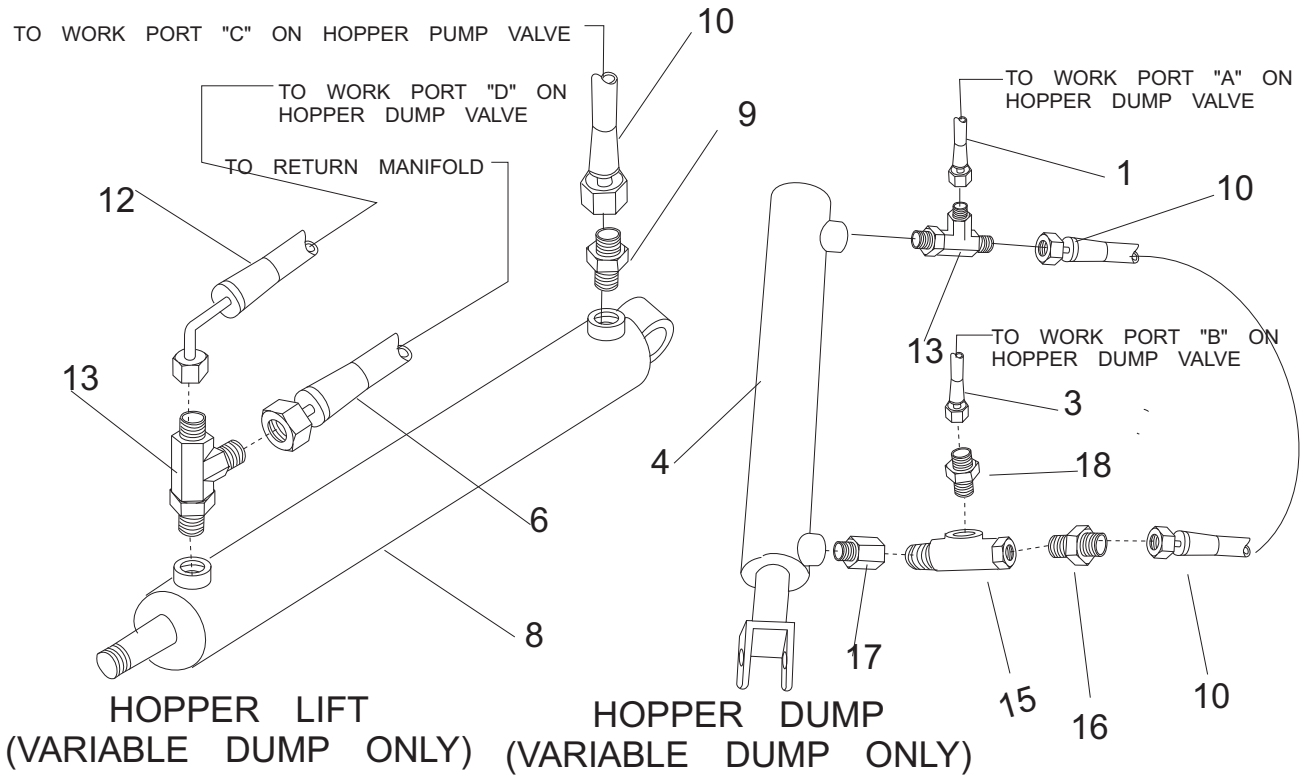
Item	Ref. No.	Qty	Description
1	2-00-04918	2	ORFS Connector, 9/16-18
2	0885-061	1	Hydraulic Motor
	0880-293	1	Seal Kit for 0885-061 (Up to Serial No. 750056)
	0780-144	1	Seal Kit for 0885-061 (Serial No. 750056 & Above)
3	7-33-02181	Ref.	Hose
4	2-00-05373	2	Fitting, Union 9/16 - 18 ORS
5	8-33-02277	Ref.	Hose
6	2-00-03702	6	Washer, Flat
7	2-00-04926	3	Fitting, 90°
8	7-88-00077	1	Valve, Housing - 3 way
9	2-00-05162	1	Fitting, Run tee
10	2-00-02589	2	Screw
11	2-00-00518	2	Lock Washer



Item	Ref. No.	Qty	Description
1	2-00-04974	1	Fitting - 10 SAE - 8 ORS
2	2-00-04921	4	Fitting - 10 SAE - 90° - 8 ORS
3	2-00-04990	1	Fitting - 10 SAE - 8 ORS
4	2-00-04970	1	Fitting - 8 SAE - 8 ORS
5	7-33-02326	1	Hose - 17" 90° End
6	7-33-02327	1	Hose - 15.25" 90° End
7	0782-111 0780-070	3	Scrub Motor Hyd. Seal Kit for Motor 0782-111

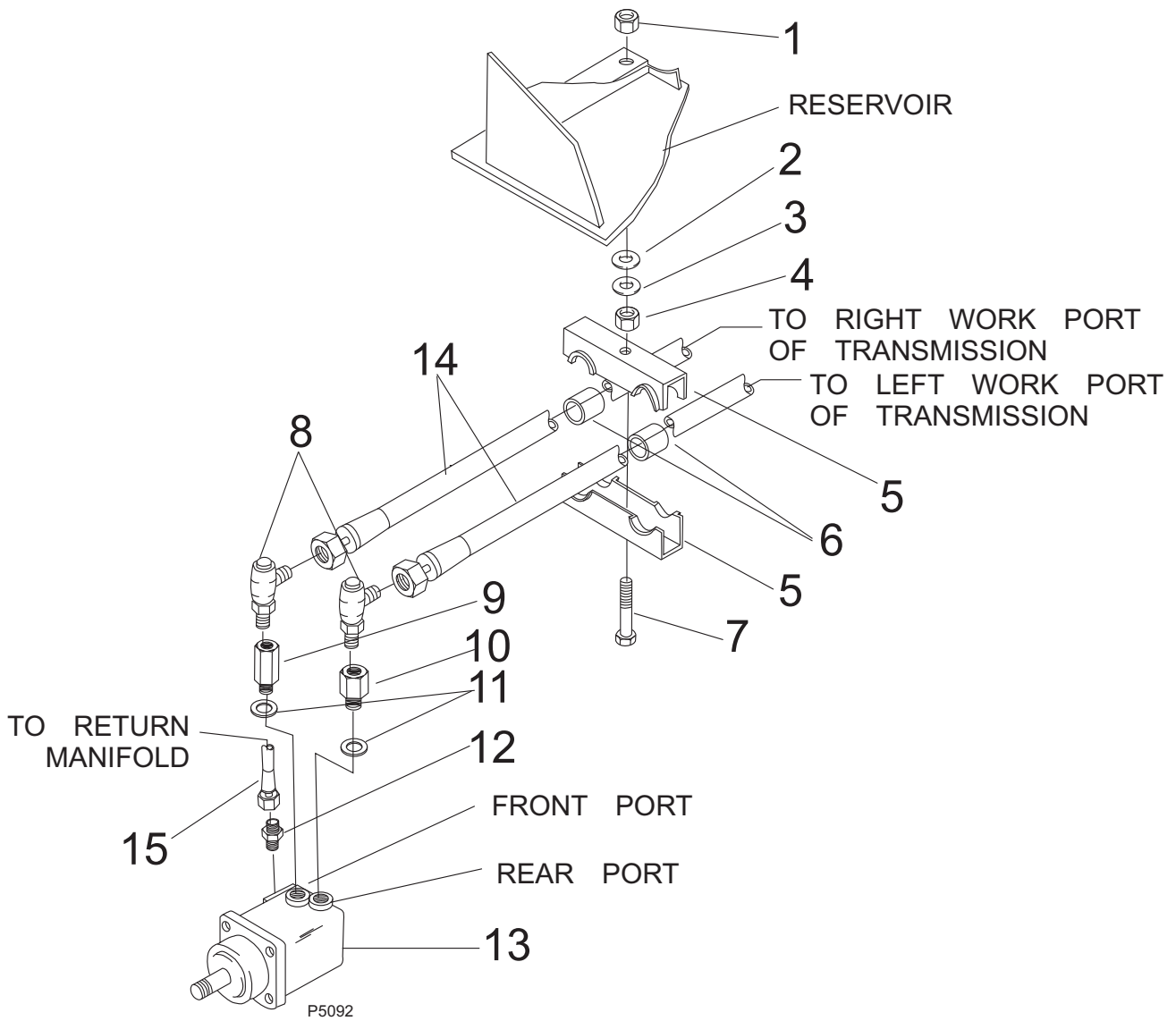


Item	Ref. No.	Qty	Description
1	2-00-04892	4	ORFS 90° Elbow, 7/16-20 to 9/16-18
2	7-17-05019	1	Hydraulic Cylinder (Squeegee)
3	7-17-05011	1	Hydraulic Cylinder (Scrub Deck)
4	8-33-02189	Ref.	Hose
5	8-33-02218	Ref.	Hose
6	7-33-02189	Ref.	Hose

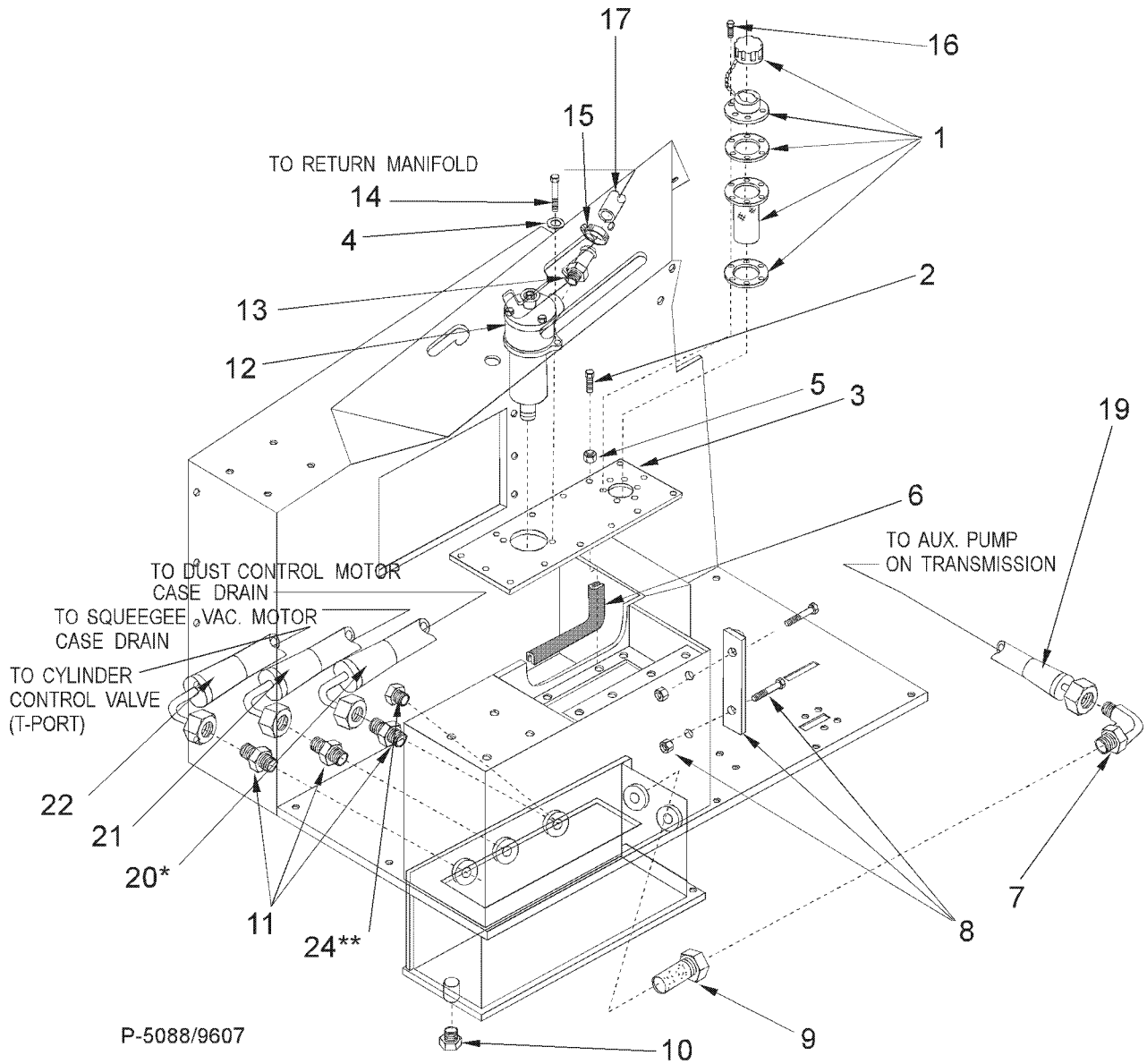


Item	Ref. No.	Qty	Description
1	7-33-02194	Ref.	Hose
2	2-00-04892	2	ORFS 90° Elbow, 7/16-20 to 9/16-18
3	7-33-02195	Ref.	Hose
4	7-17-05020	1	Dump Cylinder
5	7-33-02191	Ref.	Hose
6	8-33-02183	Ref.	Hose
7	7-17-05010	1	Steering Cylinder
NS	7-70-00021	2	Dump and Steering Cylinders Seal Kit
8	7-17-05013	1	Lift Cylinder
NS	0880-506	1	Lift Cylinder Seal Kit
9	2-00-04895	1	ORFS Connector, 7/16-20 to 9/16-18
10	8-33-02178	Ref.	Hose
11			
12	7-33-02225	Ref.	Hose
13	2-00-04927	2	Run Tee Fitting
14			
15	8-88-00045	1	Fitting, Check Valve
16	2-00-04997		Fitting Adapter, 9/16-18 ORFS - 1/4-18 NPT
17	2-00-04994	1	Adapter Fitting
18	2-00-05054	1	Adapter Fitting
19#	7-33-02225	Ref.	Hose

# = Revised or new since last update



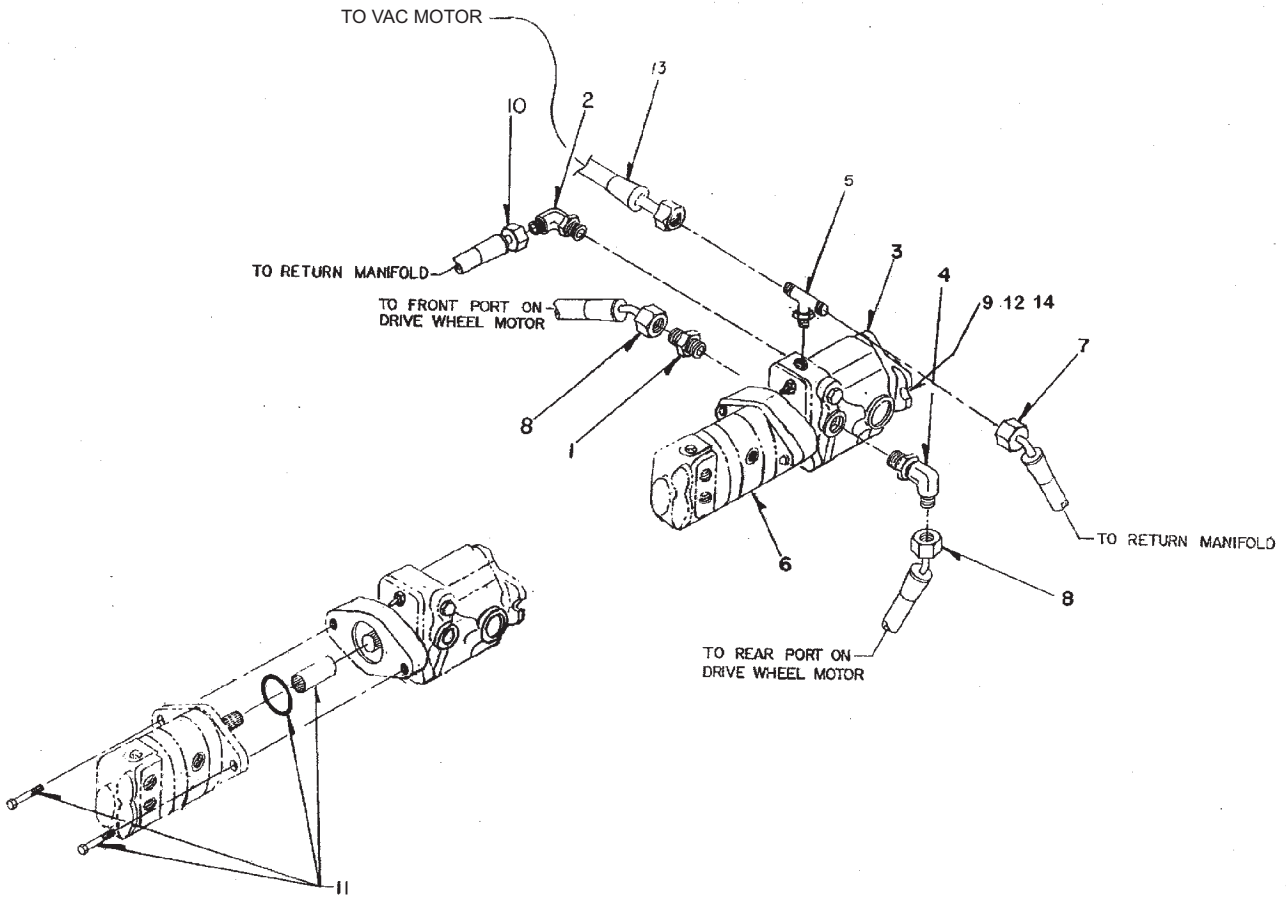
Item	Ref. No.	Qty	Description
1	2-00-00644	1	Nut, Fiber Lock 5/16 - 18 THD's
2	7-23-03048	1	Spring Washer, .750 x .312 x .013
3*	2-00-00409	1	Flat Washer, For 5/16 Bolt (.687 x .343 x .062)
4	2-00-00586	1	Nut, Hex Jam 5/16-18 x .500 x .187
5	7-13-07110	1	Hose Clamping Unit
6*	7-09-01121	2	Split Hose Bushing
7	2-00-01770	1	Screw, 5/16-18 x 2.750 HHC
8	2-00-05358	2	Fitting
9	8-03-02035	1	Fitting
10	7-03-00054	1	Fitting
11	2-00-04620	2	Seal
12	2-00-04895	1	Fitting
13	0885-051-1	1	Rear Wheel Motor
	0880-238		Motor Seal
	0880-237		Shaft Seal for Eaton P/N 110-1085-004
	0880-586		Shaft Seal for Eaton P/N 110-1085-006
14	7-33-02223	2	Hose
15	8-33-02184	Ref.	Hose



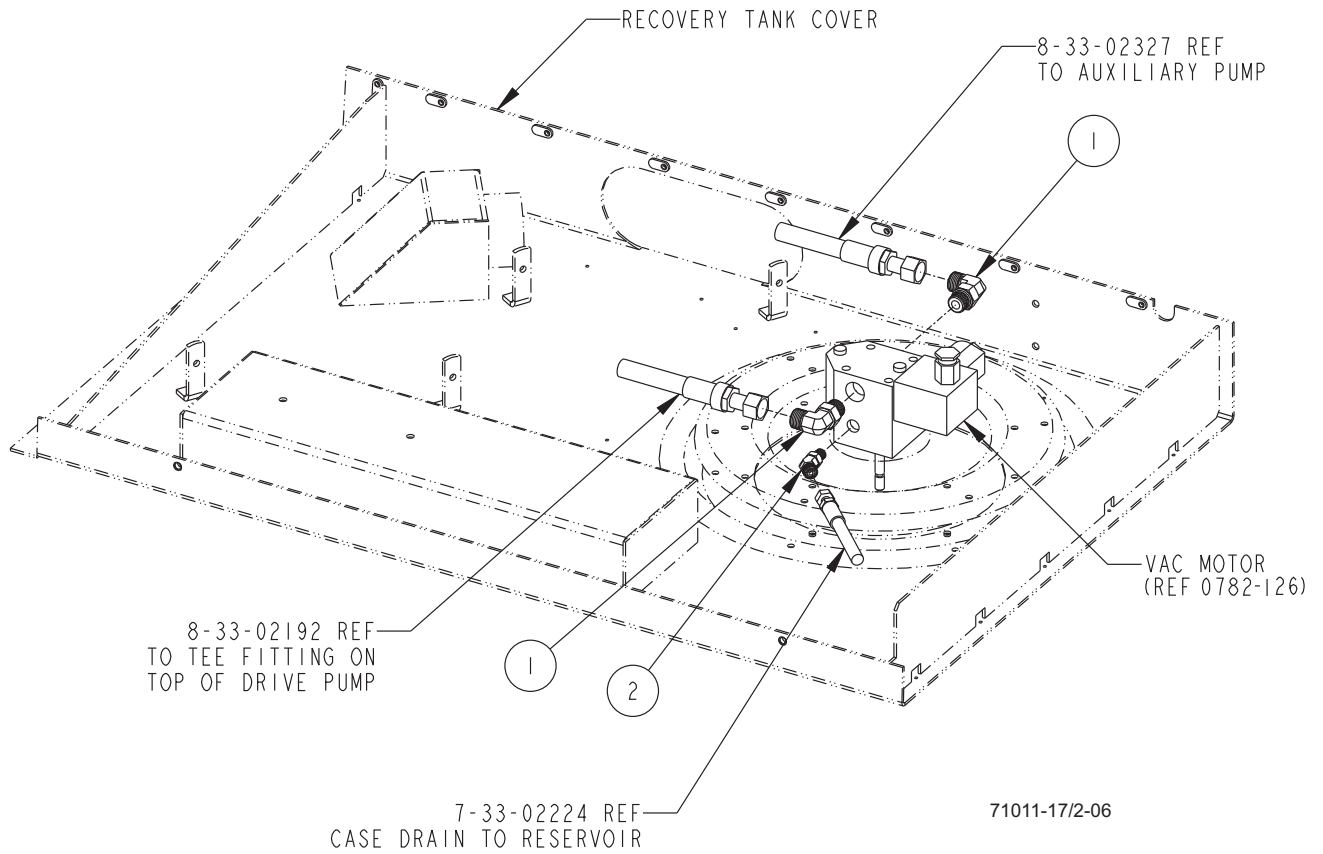


Item	Ref. No.	Qty	Description
1	8-11-00026	1	Reservoir Filter Cap
2	2-00-00049	14	Screw, #10-24 x .1/2 RHM
3	56514778	1	Hydraulic Reservoir Cover
4	2-00-00530	2	Lock Washer, 5/16 Helical Spring
5	2-00-00519	14	Lock Washer, #10
6	7-21-03003	1	Edging
7	2-00-05354	2	Fitting, 3/4 NPT x 1 7/16-12
8	8-48-05034	1	Fluid Level Sight Gauge
9	8-24-04115	2	Strainer
10	2-00-02474	1	Pipe Plug, 1/2 NPT
11	2-00-04895	3	ORFS Connector, 7/16-20 to 9/16-18
12	7-24-04031	1	Return Filter Assembly
NS	7-24-04032	1	Return Filter Replacement Filter
13	2-00-05073	1	Straight Barbed Stem, 1-11 1/2 to 1.375 x 2.87
14	2-00-02708	2	Screw, 5/16-18 x 1.0 HHC
15	2-00-02220	1	Hose Clamp, .812-1.50
16	2-00-03940	6	Screw, #10-24 x 1/2 TC/HH
17	7-33-02244	1	Hose
18			Intentionally Omitted
19	7-33-02331	1	Hose
20	7-33-02333	1	Hose
21	7-33-02224	1	Hose
22	7-33-02225	1	Hose
23			Intentionally Omitted
24**	2-00-05177	1	Plug, 7/16-20 O-Ring

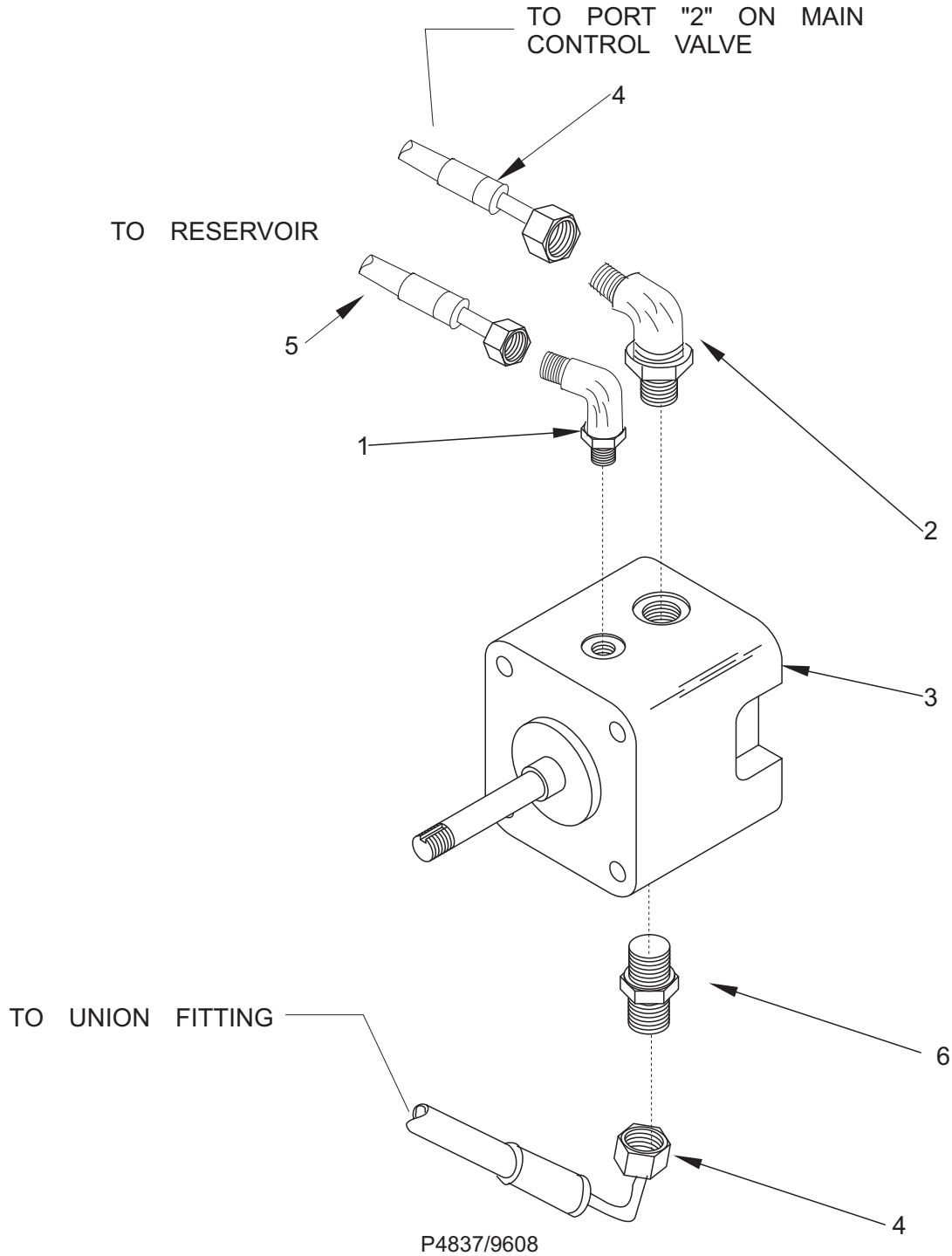
\*\* = Manual Dump Only



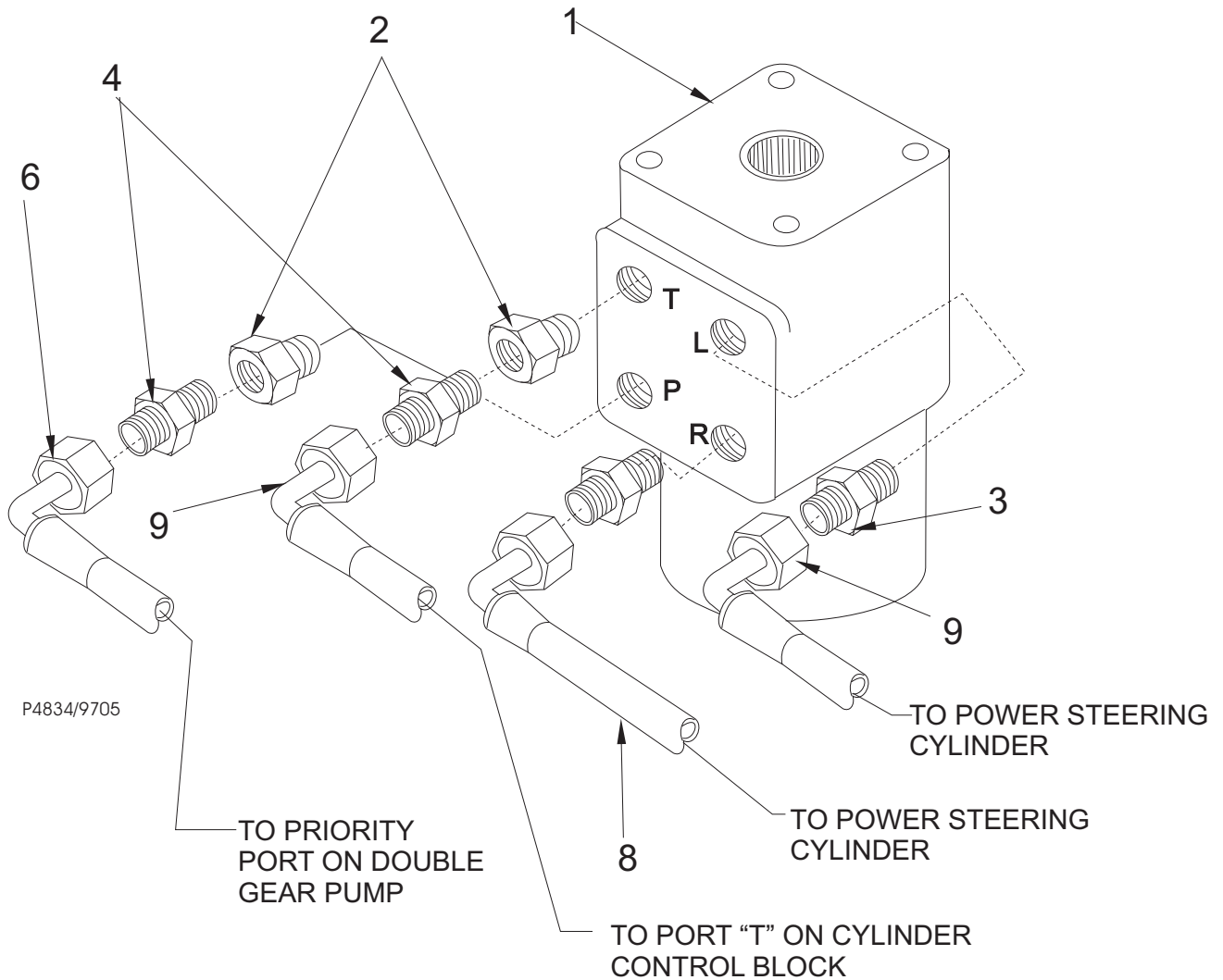
Item	Ref. No.	Qty	Description
1	2-00-04979	1	ORFS Connector, 1 1/16-12 to 13/16-16
2	2-00-04926	1	ORFS 90° Elbow, 9/16-18
3	7-60-05026	1	Drive Pump
4	2-00-04922	1	ORFS 90° Elbow, 1 1/16-12 to 13/16-16
5	2-00-04978	1	Tee Fitting
6	7-60-05027	Ref.	Auxiliary Pump (Double Gear)
7	7-33-02197	Ref.	Hose
8	7-33-02223	Ref.	Hose
9	2-00-00209	2	Screw, .375-16 x 1.25 HHC
10	7-33-02186	Ref.	Hose
11	0880-685	1	Kit, Pump Assembly
12	2-00-02310	2	Lock Washer, Helical Spring
13	8-33-02192	1	Hose, ORS 8-STR, 74"
14	2-00-00402	2	Flat Washer, .750 x .391 x .093



Item	Ref. No.	Qty	Description
1	2-00-04885	2	Fitting, 90° Elbow (O-Ring)
2	2-00-04976	1	Fitting, -4 ORB x -4 ORS, 45° Elbow

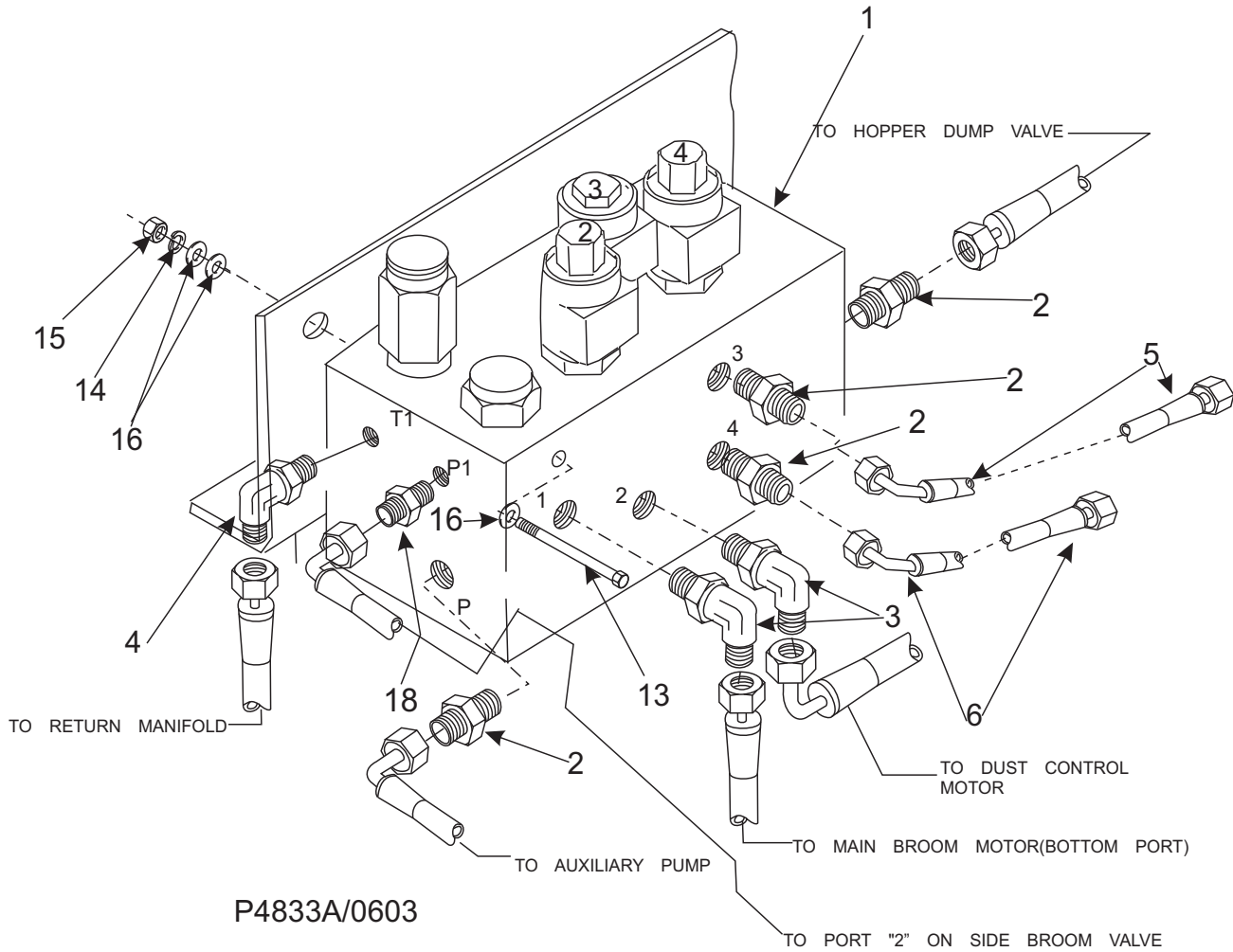


Item	Ref. No.	Qty	Description
1	2-00-04892	1	Fitting, 90° #4 SAE x #4 ORS
2	2-00-04885	1	Fitting, 90° #8 SAE x #8 ORS
3	0882-041	1	Dust Control Motor
4	7-33-02332	Ref.	Hose
5	7-33-02333	Ref.	Hose
6	2-00-04970	1	Fitting, STRT #8 SAE x #8 ORS



Item	Ref. No.	Qty	Description
1	7-60-05029	1	Power Steering Unit
2	2-00-04932	2	ORFS Boss Reducer, 3/4-16 to 9/16-18
3	2-00-05264	2	Fitting, Straight
4	2-00-04918	1	ORFS Connector, 9/16-18
6	7-33-02334	Ref.	Hose
8#	7-33-02225	Ref.	Hose
9	7-33-02191	Ref.	Hose, 67"

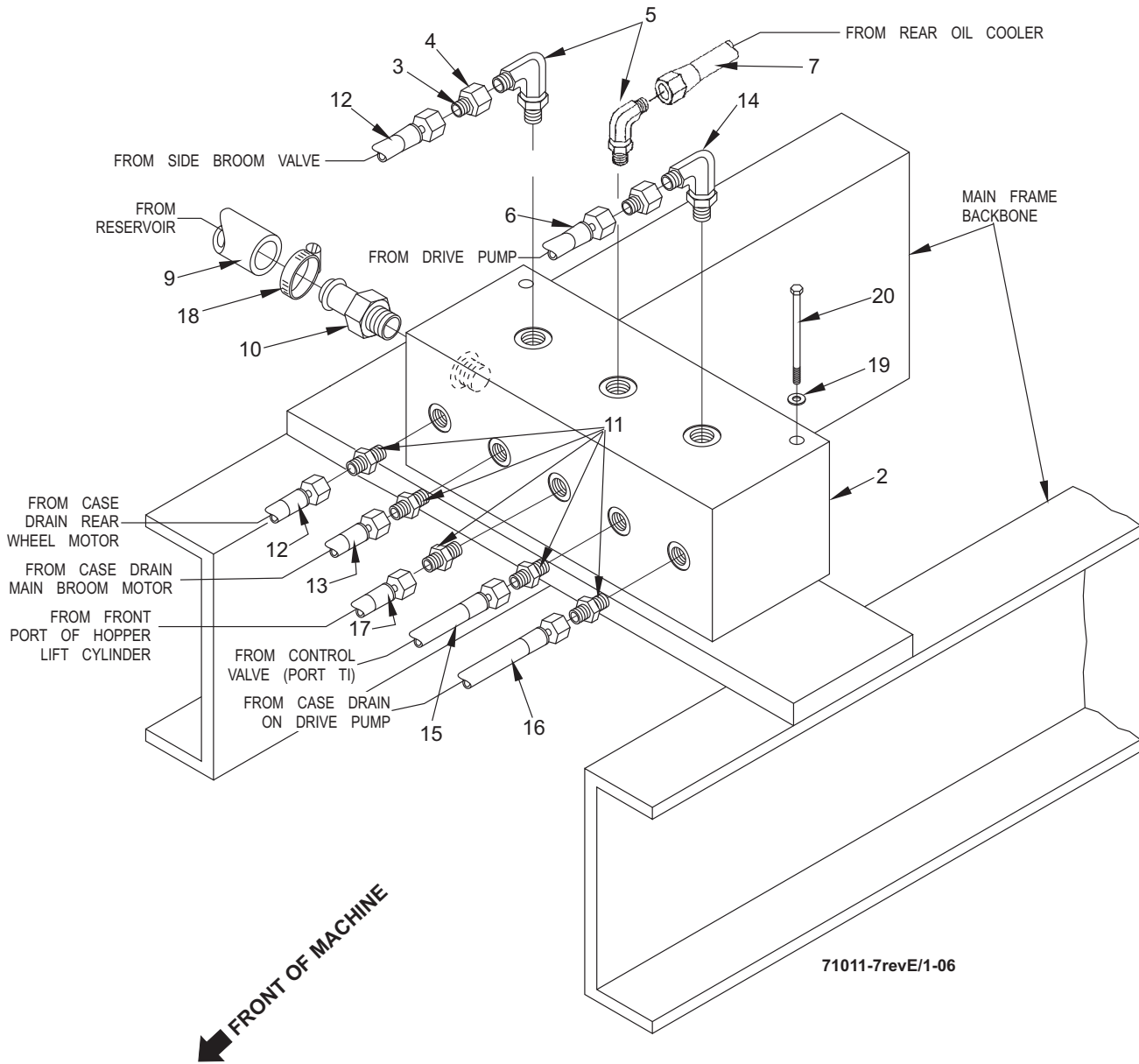
# = Revised or new since last update



Item	Ref. No.	Qty	Description
1	7-88-00071	1	Valve
2	2-00-04970	4	Fitting - Straight
3	2-00-04885	2	ORFS 90° Elbow, 3/4-16 to 13/16-16
4	2-00-04892	1	ORFS 90° Elbow, 7/16-20 to 9/16-18 (Gas Only)
5**	8-33-02326	Ref.	Hose
5#	7-33-02325	Ref.	Hose
6	7-33-02205	Ref.	Hose
9**	2-00-04978	1	Fitting - 90 °
11**	2-00-04895	1	Fitting - Straight
13	2-00-04986	2	Screw, 1/4 - 20 x 4.500 HHC
14	2-00-00518	2	Lock Washer, 1/4 Split
15	2-00-00594	2	Nut, Hex 1/4 - 20 x .437 x .218
16	2-00-03702	6	Flat Washer For 1/4 Bolt
18**	2-00-04895	1	Fitting - Straight
18#	2-00-04885	1	ORFS 90° Elbow, 3/4-16 to 13/16-16

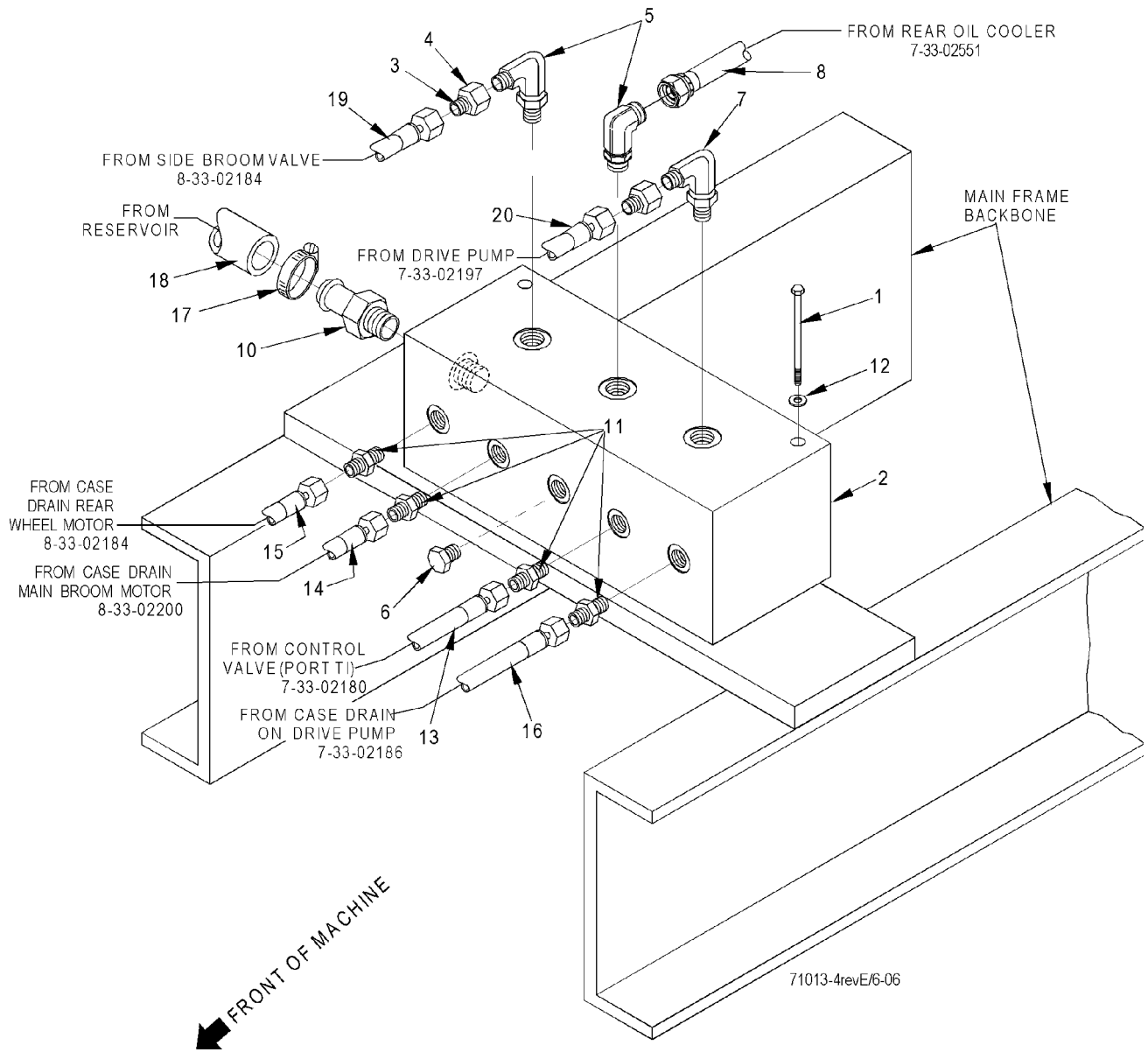
\*\* = Diesel Only

# = Gas Only

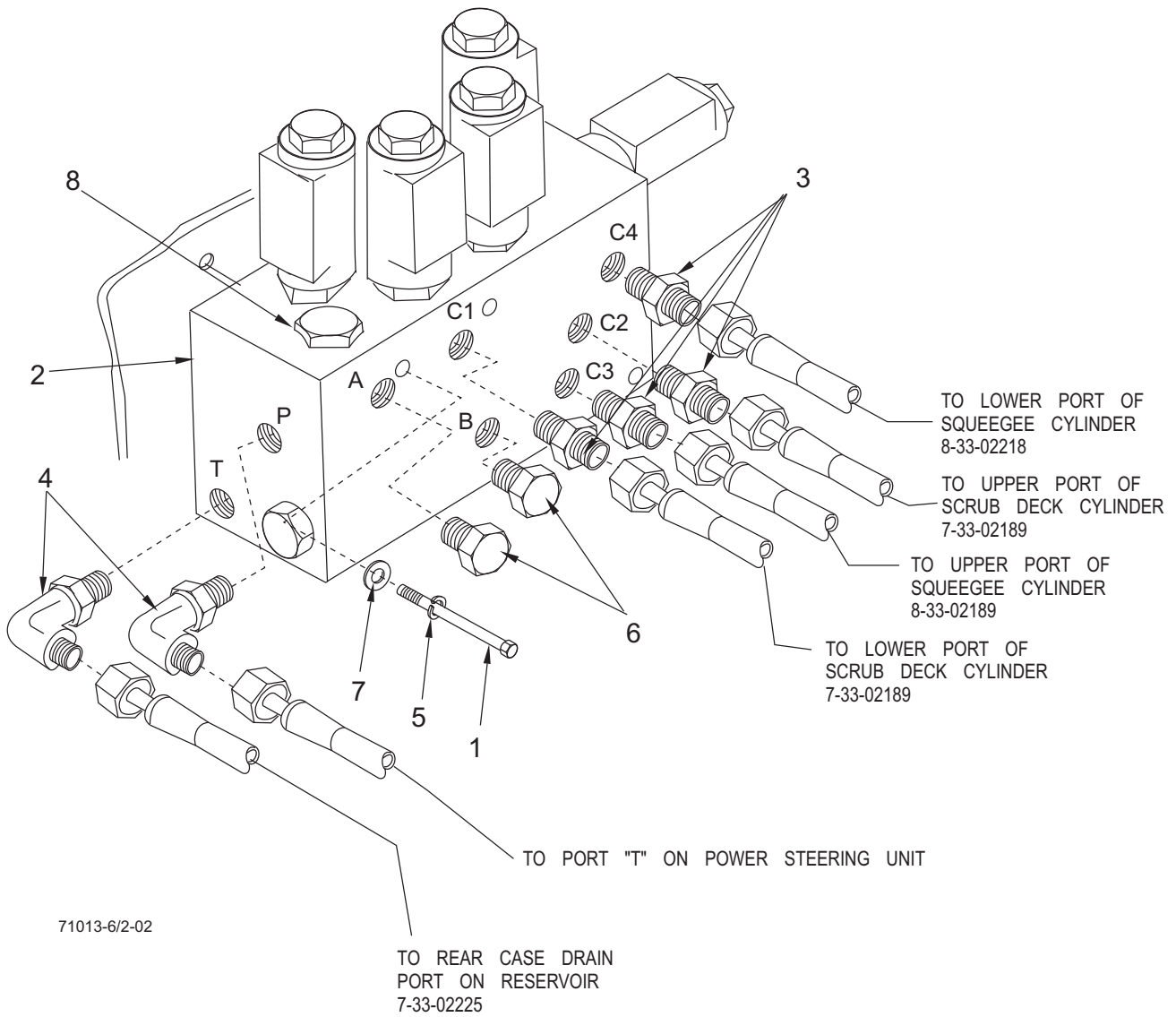




Item	Ref. No.	Qty	Description
1	2-00-02638	2	Screw, 1/4-20 x 3.0 HHC
2	7-48-00019	1	Return Manifold
3	2-00-04929	1	Reducer (O-Ring Face), ORS 8 to 4
4	2-00-04939	1	Nut for Reducer
5	2-00-04885	2	ORFS 90° Elbow, 3/4-16 to 13/16-16
6	7-33-02197	1	Hose
7	7-33-02551	1	Hose
8	7-33-02191	1	Hose
9	7-33-02244	1	Hose
10	2-00-05073	1	Fitting, Straight Barbed Stem, 1-11 1/2 x .50 x 2.57
11	2-00-04895	5	Fitting, ORFS Connector, 7/16-20 to 9/16-18
12	8-33-02184	1	Hose
13	8-33-02200	1	Hose
14	2-00-05479	1	Fitting, Reducer
15	7-33-02180	1	Hose
16	7-33-02186	1	Hose
17	8-33-02183	1	Hose
18	2-00-02220	1	Clamp, 13/16 to 1.50 Hose
19	2-00-00407	2	Flat Washer, .56 x .26 x .063
20	2-00-00518	2	Lock Washer, 1/4



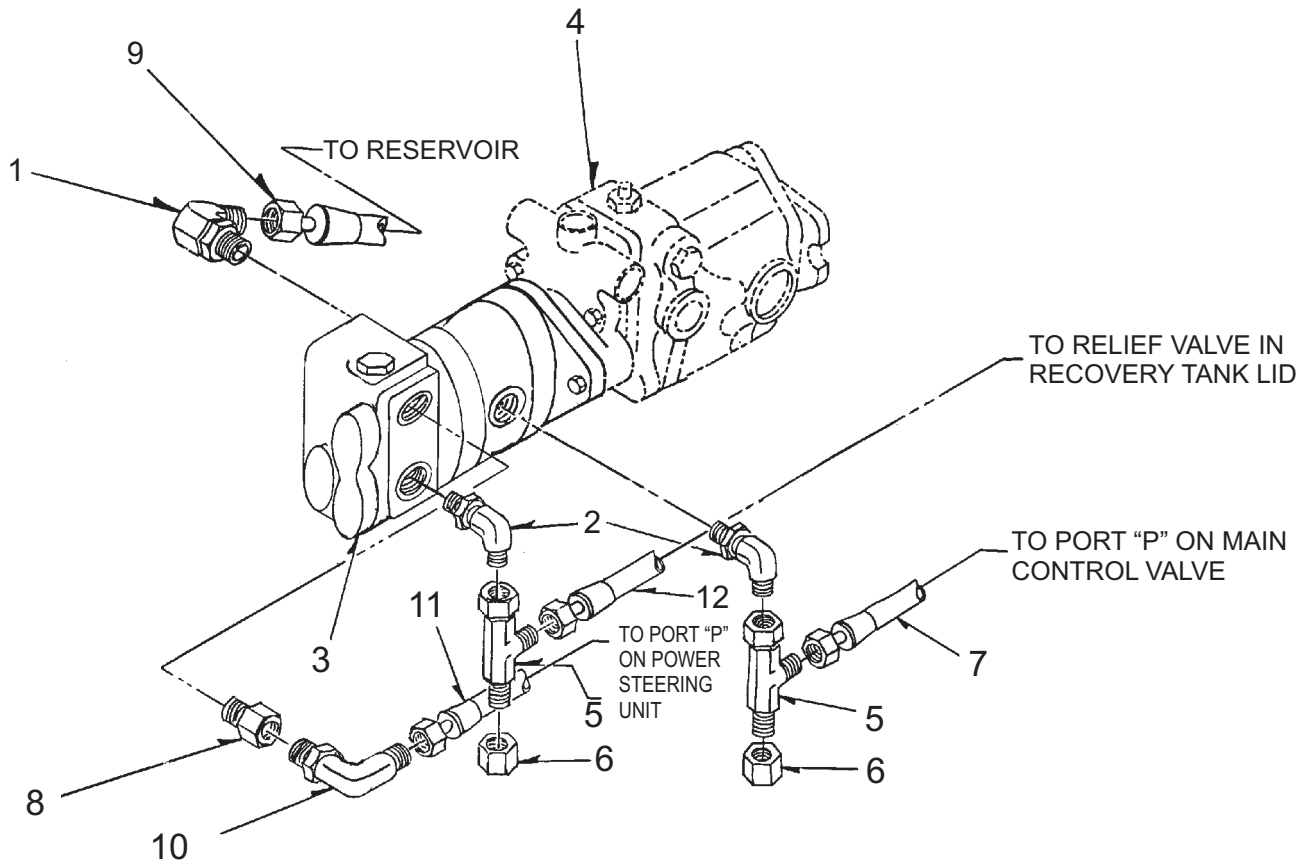
Item	Ref. No.	Qty	Description
1	2-00-02638	2	Screw, 1/4-20 x 3.0 HHC
2	7-48-00019	1	Return Manifold
3	2-00-04929	1	Reducer (O-Ring Face), ORS 8 to 4
4	2-00-04939	1	Nut for Reducer
5	2-00-04885	2	ORFS 90° Elbow, 3/4-16 to 13/16-16
6	2-00-05171	1	Plug, 7/16-20 O-Ring
7	2-00-05479	1	Fitting, Reducer
8	7-33-02551	1	Hose
9	2-00-00407	2	Flat Washer, .56 x .26 x .063
10	2-00-05073	1	Fitting, Straight Barbed Stem, 1-11 1/2 x .50 x 2.57
11	2-00-04895	4	Fitting, ORFS Connector, 7/16-20 to 9/16-18
12	2-00-00518	2	Lock Washer, 1/4
13	7-33-02180	1	Hose
14	8-33-02200	1	Hose
15	8-33-02184	2	Hose
16	7-33-02186	1	Hose
17	2-00-02220	1	Clamp, 13/16 to 1.50 Hose
18	7-33-02244	1	Hose
19	7-33-02197	1	Hose



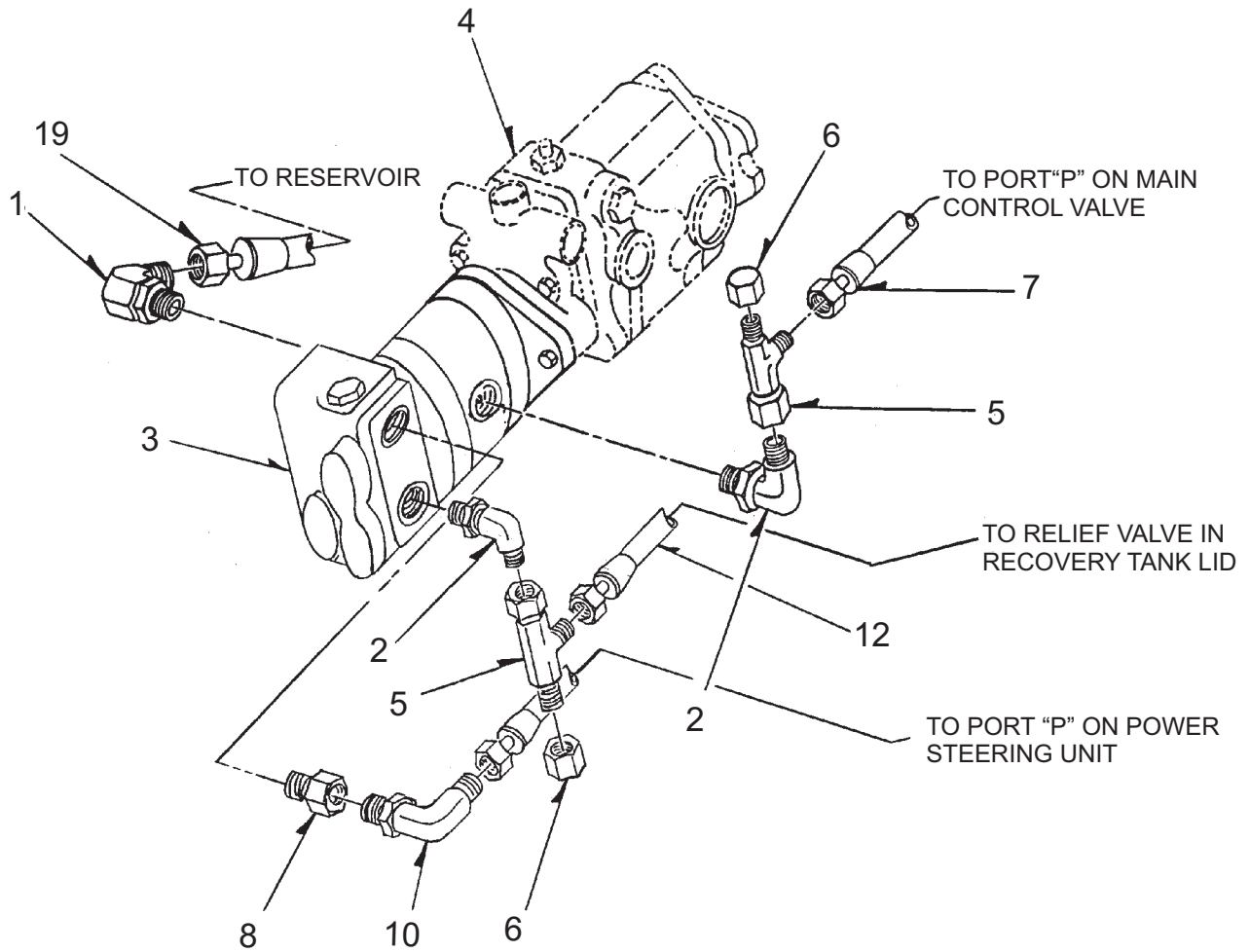
08-4

**CYLINDER CONTROL VALVE & FITTINGS****7765****85**

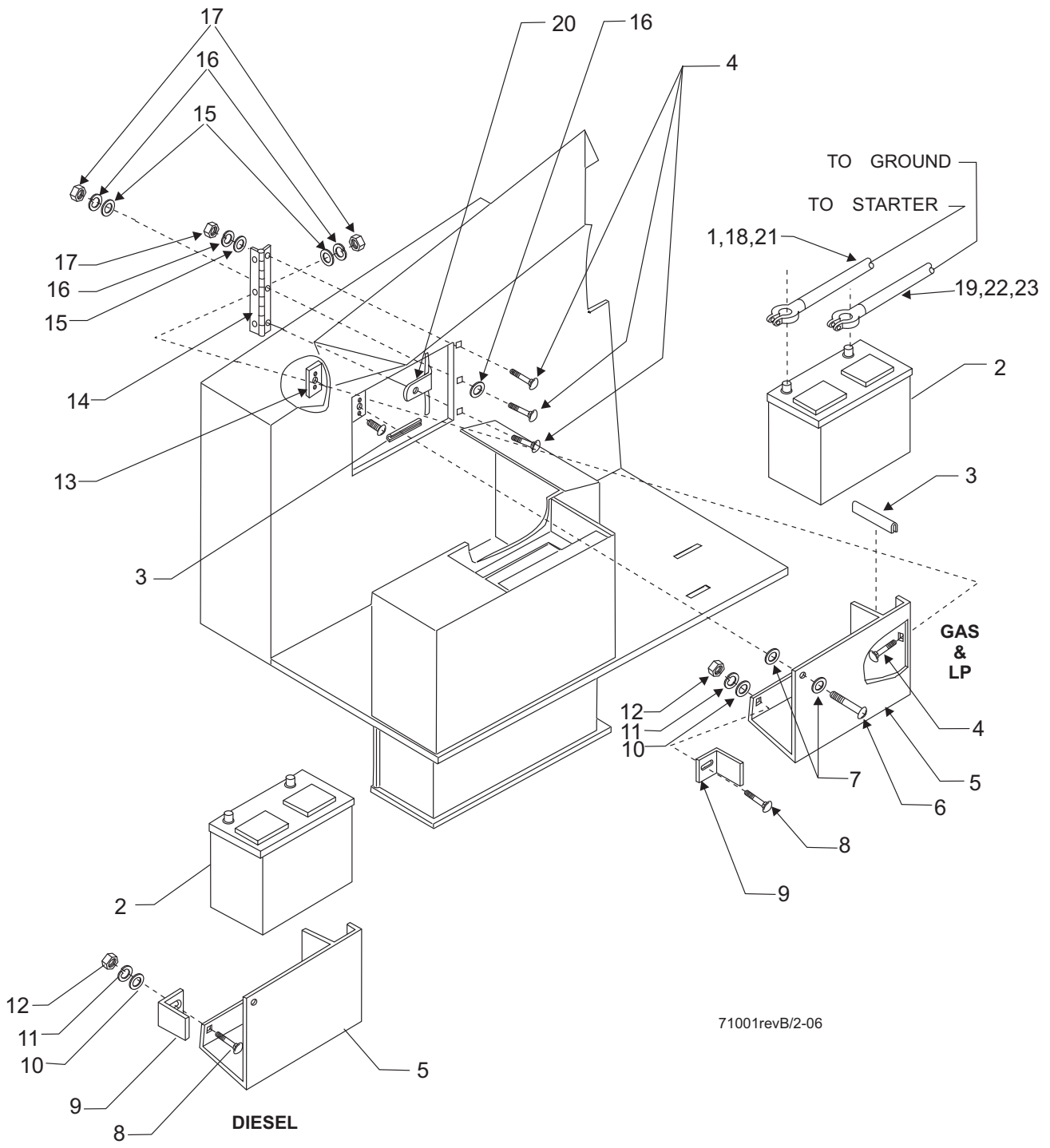
Item	Ref. No.	Qty	Description
1	2-00-04596	2	Screw, 1/4-20 x 3.50 HHC
2	7-88-00069	1	Valve
3	2-00-04895	6	Straight Fitting
4	2-00-04892	2	ORFS 90° Elbow, 7/16-20 to 9/16-18
5	2-00-00518	2	Lock Washer, 1/4 Split
6	2-00-05177	2	Plug
7	2-00-00409	2	Flat Washer, 1/4
8	7-12-02032	1	Cavity Plug



Item	Ref. No.	Qty	Description
1	2-00-05353	1	Fitting, 90° Elbow
2	2-00-04921	2	Fitting, 90° Elbow
3	7-60-05027	1	Auxiliary Pump
4	7-60-05026	Ref.	Drive Pump
5	2-00-04928	1	ORFS Run Tee, 13/16 - 16
6	2-00-04957	1	ORFS Cap, #8 ORS
7	8-33-02202	Ref.	Hose
8	2-00-04932	1	Fitting, Reducer
9	7-33-02331	Ref.	Hose, 16ORS 46"
10	2-00-04926	1	Fitting, 90° Elbow
11	7-33-02334	Ref.	Hose, 52.25"
12	8-33-02327	Ref.	Hose, 94"



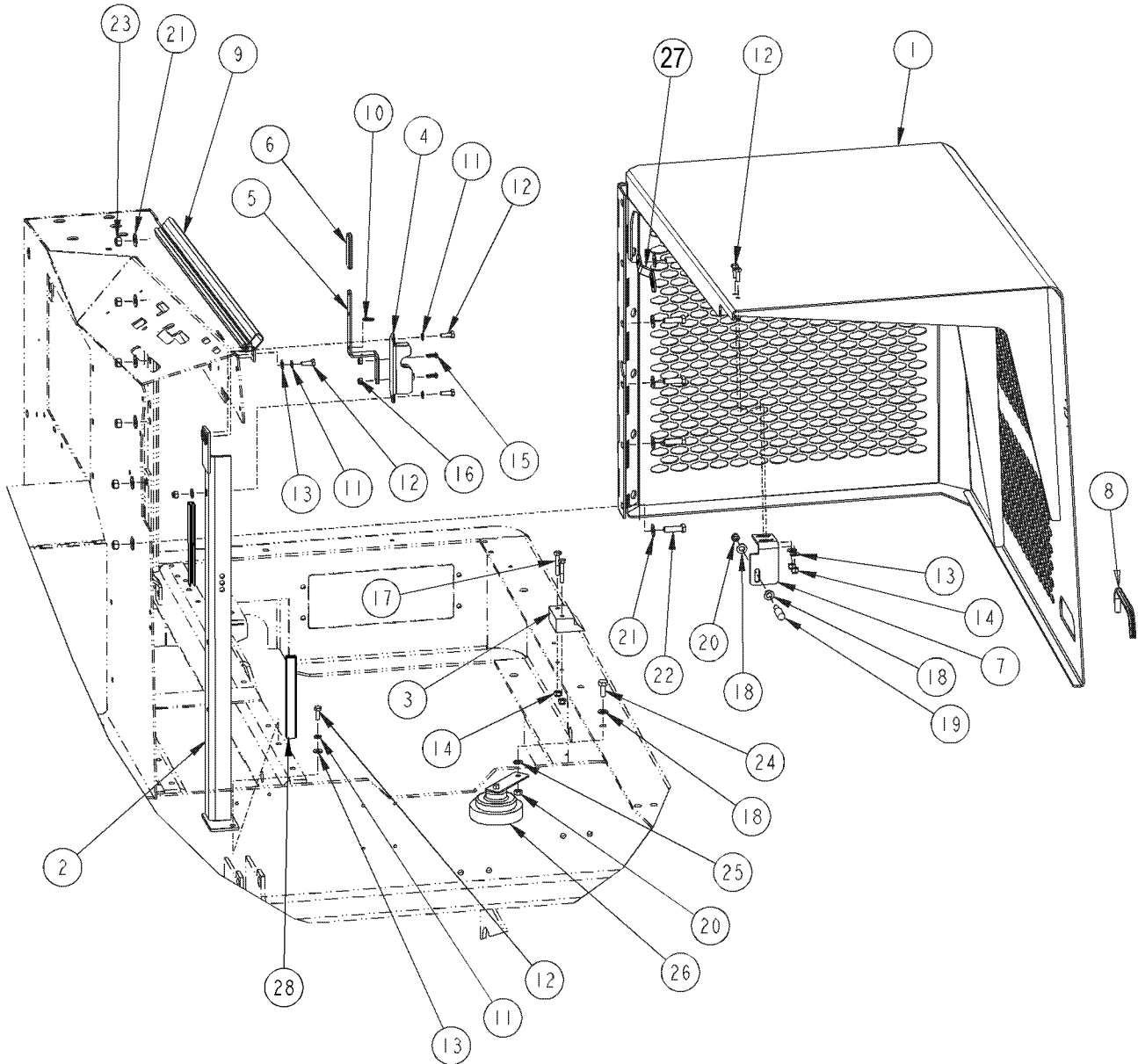
Item	Ref. No.	Qty	Description
1	2-00-05353	1	Fitting, 90° Elbow
2	2-00-04921	2	Fitting, 90° Elbow
3	7-60-05027	1	Auxiliary Pump
4	7-60-05026	Ref.	Drive Pump
5	2-00-04928	1	ORFS Run Tee, 13/16 - 16
6	2-00-04957	1	ORFS Cap, #8 ORS
7	8-33-02202	Ref.	Hose
8	2-00-04932	1	Fitting, Reducer
9	7-33-02331	Ref.	Hose, 16ORS 46"
10	2-00-04926	1	Fitting, 90° Elbow
11	7-33-02334	Ref.	Hose, 52.25"
12	8-33-02195	Ref.	Hose, 69.5"



71001revB/2-06



Item	Ref. No.	Qty	Description
1	7-90-07514	1	Cable, Battery (+) (to Starter) (Gas/LP)
2	0875-008	1	Battery (Gas & LP)
	0875-057	1	Battery (Diesel)
3	8-21-04016	2	Edging
4	2-00-03569	6	Carriage Bolt, 5/16-18 x 3/4
5	56514751	1	Door, Battery Access
6	7-23-03113	1	Fastener, Quarter-Turn
7	7-23-03106	2	Retainer Washer, .265 x .625 x .025
8	2-00-03575	1	Carriage Bolt, 1/4-20 x .75
9	56514752	1	Clamp, Battery
10	2-00-03702	1	Flat Washer, .625 x .281 x .062
11	2-00-00518	1	Lock Washer, 1/4 Helical Spring
12	2-00-00594	1	Nut, Hex 1/4-20 x .437 x .218
13	7-23-03108	1	U-Clip
14	7-23-00023	1	Hinge
15	2-00-00409	6	Flat Washer, .687 x .343 x .062
16	2-00-00530	6	Lock Washer, Helical Spring 5/16 Med.
17	2-00-00585	6	Nut, Hex 5/16-18 x .500 x .265
18	7-90-07280	1	Cable, Battery (+) (to Starter) (Diesel)
19	7-90-07515	1	Cable, Battery (-) (to Ground) (Gas/LP)
20	2-00-05253	1	Clamp, 1/2" Battery Cable
21	2-00-05171	1	Boot, Protective (Red)
22	2-00-05173	1	Boot, Protective (Black)
23	7-90-07262	1	Cable, Battery (-) (to Ground) (Diesel)



08-4

**ENGINE COVER**

08-6

**7765****91**

Item	Ref. No.	Qty	Description
1	56514801	1	Engine Cover
2	56514802	1	Center Support Weldment
3	7-78-05016	1	Stop, Engine Cover
4	8-41-00037	1	Slam Latch
5	56514803	1	Handle, Cover Latch
6	7-31-06061	1	Grip, Cover Latch
7	56514804	1	Bracket, Engine Cover
8	8-21-04038	1	Edging
9	7-29-00157	1	Gasket, Engine Cover Seal
10	7-76-00106	1	Spring, Handle Return
11	2-00-00518	4	Lock Washer, Helical Spring 1/4 Med
12	2-00-00221	6	Screw, 1/4-20 x .75 HHC
13	2-00-03702	5	Flat Washer, .625 x .281 x .062
14	2-00-00641	5	Nut, 1/4-20 Fiber Insert Hex
15	2-00-04794	2	Screw, #10-24 x .625 HHC
16	2-00-01246	2	Nut, #10-24 Elastic Stop
17	2-00-00203	2	Bolt, 1/4-20 x 1.5 Hex
18	2-00-00409	3	Flat Washer, .687 x .343 x .062
19	7-55-08116	1	Striker Pin
20	2-00-00644	2	Nut, 5/16-18 Fiber Insert Hex
21	2-00-00410	12	Flat Washer, .875 x .375 x .062
22	2-00-00209	6	Screw, 3/8-16 x 1.25 HHC
23#	2-95-04182	6	Nut, 3/8-16 Hex Stop
24	2-00-01255	1	Screw, 5/16-18 x 7/8 HHC
25	2-00-02303	1	Lock Washer, 5/16 HS Med.
26	8-32-09013	1	Horn
27	56109092	1	Bracket, Radiator Support
28	7-21-04031	2	Edging-Brush Drive Support

# = Revised or new since last update

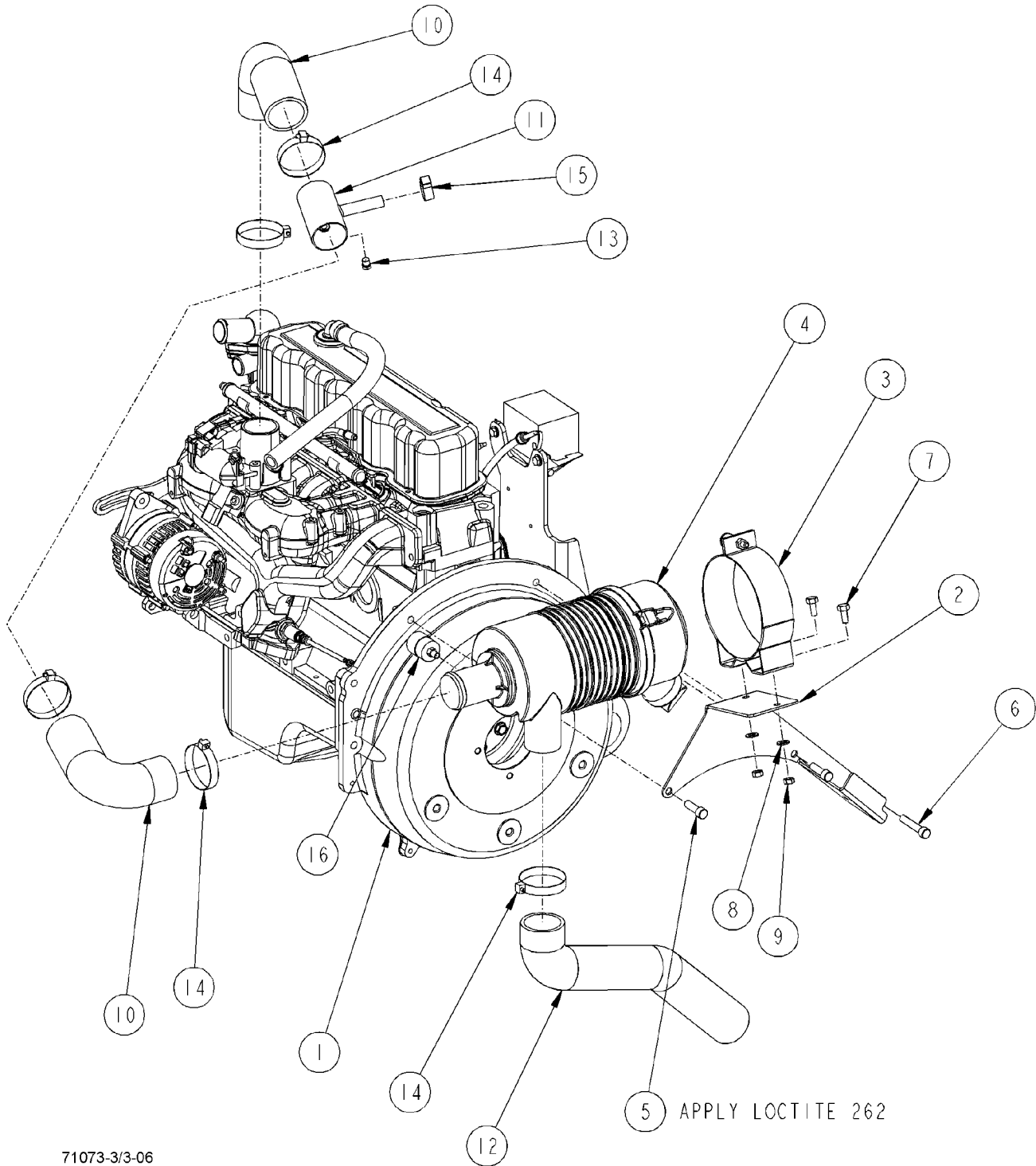


Item	Ref. No.	Qty	Description
1	56109112	1	Gasoline Tank Weldment
2	7-13-07243	4	Clamp, Fuel Pump
*3	56305062	1	Fuel Pump
*4	7-11-04082	1	Fuel Temp Manifold
*5	7-11-04083	4	Fitting, -6 SAE x 5/16 Quick Connect
*6	7-11-04084	1	Fitting, -3 SAE x 5/16 Quick Connect
*7	56305412	1	Fuel Filter
8	7-33-02735	1	Hose, Low Permeation Fuel Line
9	7-33-02736	1	Hose, Low Permeation Fuel Line
10	7-33-02737	1	Hose, Low Permeation Fuel Line
11	7-33-02738	1	Hose, Low Permeation Fuel Line
12	7-33-02739	1	Hose, Low Permeation Fuel Line
13	2-00-04721	3	Rubber Grommet
14	2-00-00198	2	Carriage Bolt, 1/4-20 x 2.0
15	2-00-03702	19	Washer, .625 x .281 x .063
16	2-00-00641	11	Nut, 1/4-20 Fiber Insert
17	2-00-03575	4	Carriage Bolt, 1/4-20 x 3/4
18	2-00-06572	1	Nut, M4 Distorted Thread
19	2-00-06573	1	Nut, M5 Distorted Thread
20	8-26-04003	1	Float, Fuel Level
21	56508354	1	Fuel Cap
22	56514816	1	Cover (Weldment)
23	56514817	2	Bracket, Clamp
24#	56514818	2	Bracket, Clamp
25	2-00-00518	8	Lock Washer, 1/4 Helical Spring
26	2-00-00221	11	Bolt, 1/4-20 x 3/4 LG Fin. Hex Head
27	2-00-04602	2	Clamp
*28	56109052	1	Fitting, Fuel Pump

# = Revised or new since last update

\* = Included with 0777-069 engine

See "Spare Parts" and "Engine Service Parts" pages for additional engine replacement parts.



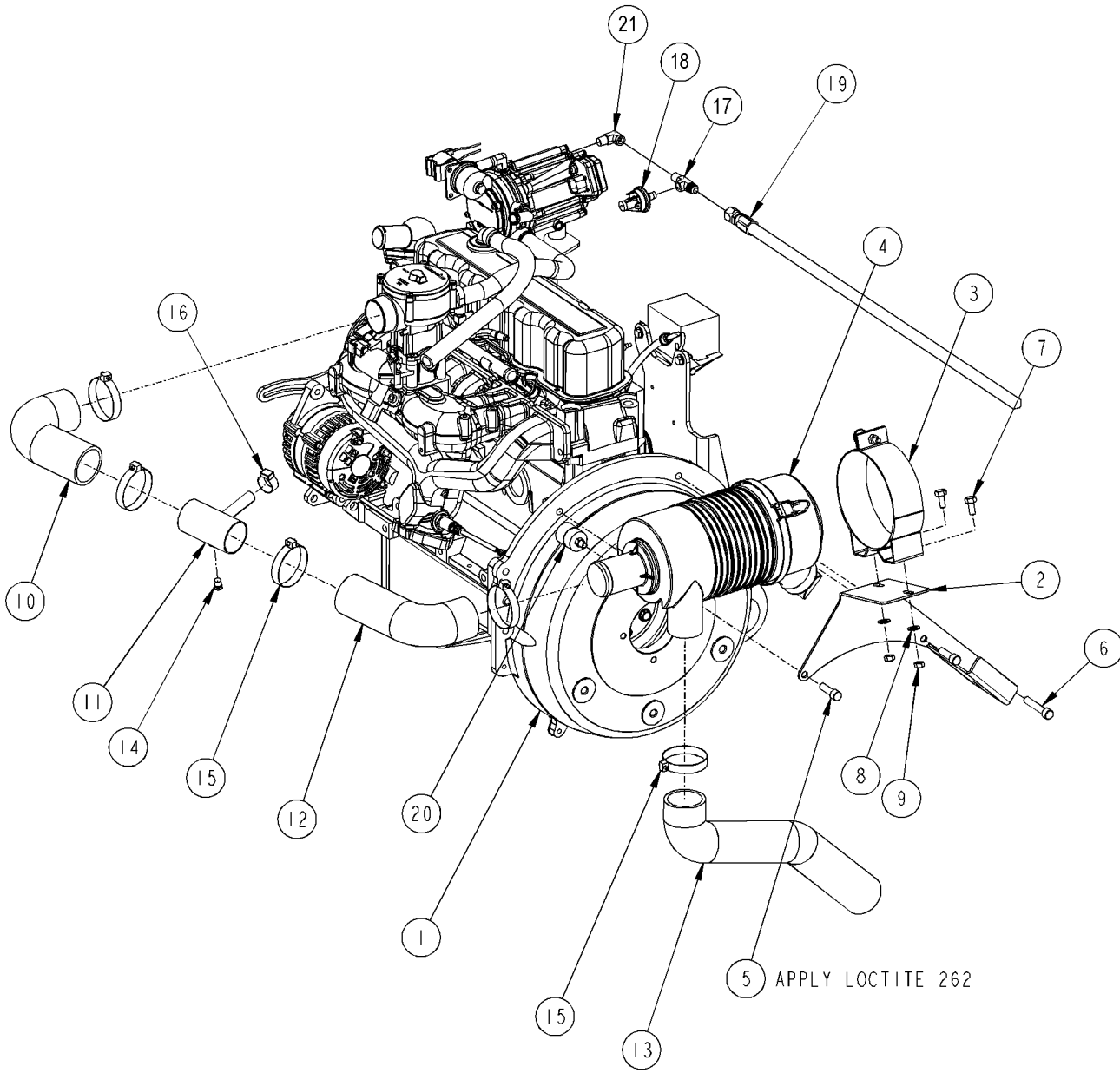
71073-3/3-06

08-4	<b>GM 3.0 LITER - GAS ENGINE (AIR FILTRATION SYSTEM)</b>		
08-6	<b>7765</b>		<b>95</b>

Item	Ref. No.	Qty	Description
1#	0777-069	1	Engine, GM 3.0 GAS
2	7-08-01324	1	Bracket, Air Cleaner
3	7-13-07242	1	Clamp, Air Cleaner
4	7-24-04083	1	Filter Assy., Air Cleaner
5#		2	Cap Screw, 3/8-16 x 1.25 <b>NOTE 1</b>
6#		1	Cap Screw, 3/8-16 x 2.0 <b>NOTE 1</b>
7	2-00-00208	2	Screw, 5/16-18 x 3/4 HHC
8	2-00-00409	2	Flat Washer, .687 x .344 x .062
9	2-00-00644	2	Nut, 5/16-18 Fiber Insert Hex
10	7-33-02711	2	Hose, Air Intake
11	56305240	1	Tube Weldment
12	7-33-02714	1	Hose, Air Intake
13	2-00-03778	1	Plug, 1/8 NPT
14	2-00-02216	5	Clamp, Hose
15	2-00-03407	1	Clamp, Hose
16	56478461	1	Filter Service Indicator

# = Revised or new since last update

**NOTE 1:** Included with 0777-069 engine  
 See "Spare Parts" and "Engine Service Parts" pages for additional engine replacement parts.



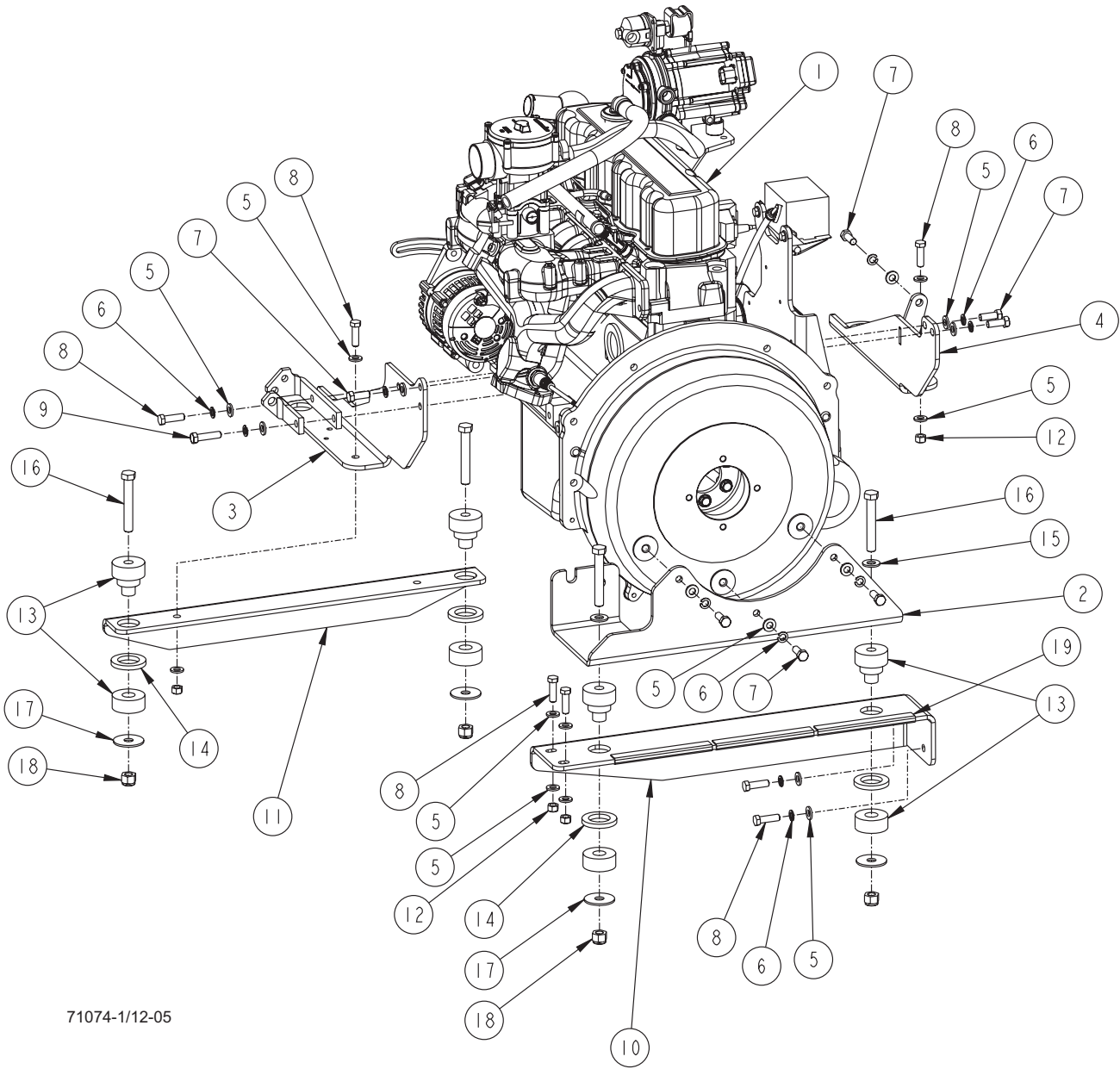


08-4	<b>GM 3.0 LITER - LP ENGINE (AIR FILTRATION SYSTEM)</b>		
08-6	<b>7765</b>		<b>97</b>

Item	Ref. No.	Qty	Description
1	0777-068	1	Engine, GM 3.0 LP
2	7-08-01324	1	Bracket, Air Cleaner
3	7-13-07242	1	Clamp, Air Cleaner
4	7-24-04083	1	Filter Assy., Air Cleaner
5#		2	Cap Screw, 3/8-16 x 1.25 <b>NOTE 1</b>
6#		1	Cap Screw, 3/8-16 x 2.0 <b>NOTE 1</b>
7	2-00-00208	2	Screw, 5/16-18 x 3/4 HHC
8	2-00-00409	2	Flat Washer, .687 x .344 x .062
9	2-00-00644	2	Nut, 5/16-18 Fiber Insert Hex
10	7-33-02711	1	Hose, Air Intake
11	56305240	1	Tube Weldment
12	7-33-02712	1	Hose, Air Intake
13	7-33-02714	1	Hose, Air Intake
14	2-00-03778	1	Plug, 1/8 NPT
15	2-00-02216	5	Clamp, Hose
16	2-00-03407	1	Clamp, Hose
17	2-00-05942	1	Fitting, 1/4 NPT x 1/8 NPT x 3/8 JIC Tee
18	8-82-00046	1	Switch, Low Pressure
19	7-33-02721	1	Hose, LP High Pressure (64")
20	56478461	1	Filter Service Indicator
21	2-00-05678	1	Fitting, 1/4" NPT Street Elbow, 90, Brass

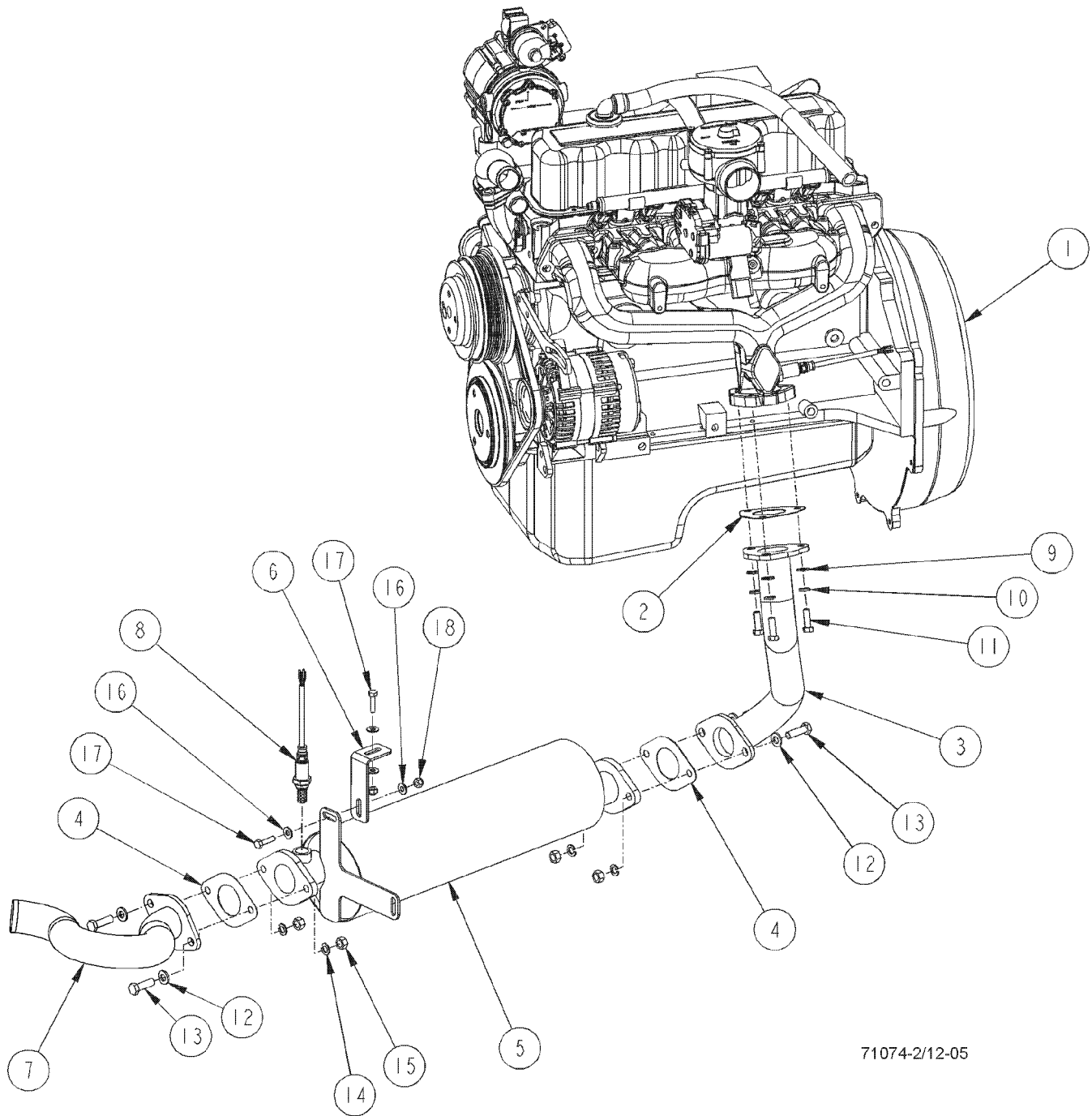
# = Revised or new since last update

**NOTE 1:** Included with 0777-068 engine  
See "Spare Parts" and "Engine Service Parts" pages for additional engine replacement parts.



71074-1/12-05

Item	Ref. No.	Qty	Description
1	0777-068	1	Engine, GM 3.0 LP
	0777-069	1	Engine, GM 3.0 GAS
2	7-08-01325	1	Bracket, Engine Mount
3	7-08-01326	1	Bracket, Engine Mount
4	7-08-01327	1	Bracket, Engine Mount
5	2-00-00402	19	Washer, 25/64 ID x 3/4 OD
6	2-00-02310	11	Lock Washer, 3/8 Helical Spring
7	2-00-00233	7	Bolt, 3/8-16 x 1.25 Fin. Hex Head
8	2-00-00209	7	Bolt, 3/8-16 x 1.25 Hex Head
9	2-00-00234	1	Screw, 3/8-16 x 1.50 HHC
10	7-81-00289	1	Support, Engine
11	7-81-00290	1	Support, Engine
12	2-95-04182	4	Nut, 3/8-16 Hex Stop
13	7-35-00017	4	Isolator, Engine Mount (Red Dot)
14	2-00-05955	4	Washer
15	2-00-00405	2	Flat Washer, 1.063 x .531 x .094
16	2-00-02617	4	Screw, 1/2-13 x 3.5 SS
17	2-00-05067	4	Spacer, Snubbing Washer
18	2-00-04936	4	Nut, 1/2-13 Elastic Lock
19	7-21-04031	3	Edging, Brush Drive Support



71074-2/12-05

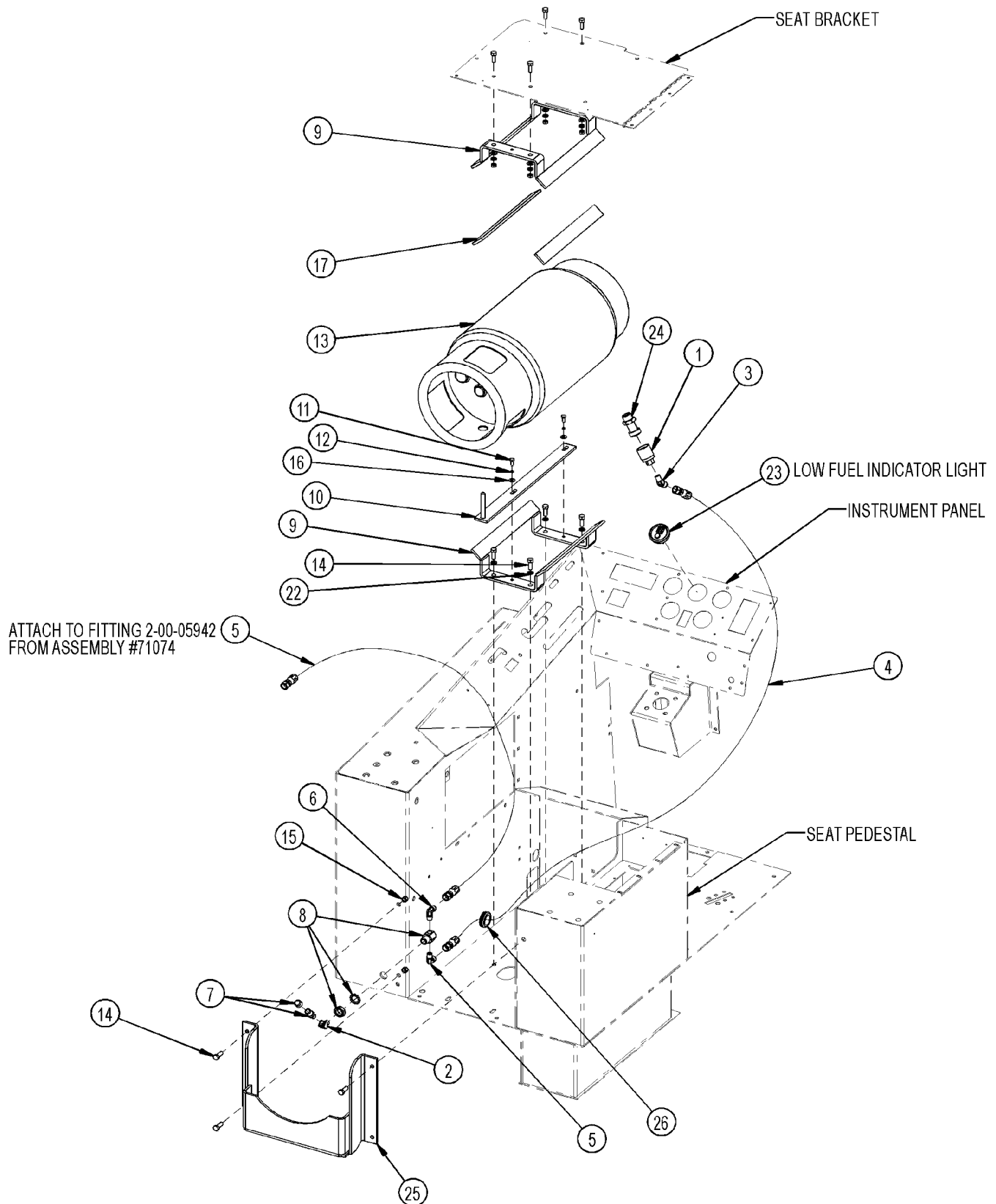
Item	Ref. No.	Qty	Description
1	0777-068	1	Engine, GM 3.0 LP
	0777-069	1	Engine, GM 3.0 GAS
*2	7-29-00344	1	Gasket, Exhaust Flange
3	7-56-04081	1	Exhaust Downpipe
*4	7-29-00345	2	Gasket, Exhaust Flange
*5	7-49-00045	1	Muffler, Catalyst
6	7-31-07036	1	Hanger, Muffler
7	7-56-04082	1	Exhaust Tailpipe
*8	7-11-04081	1	O2 Sensor, GM 3.0
9	2-00-00409	3	Flat Washer, .687 x .344 x .062
10	2-00-00530	3	Lock Washer, 5/16
11	2-00-04948	3	Screw, M8 x 1.25 x 25mm HHC
12	2-00-00402	4	Washer, 25/64 ID x 3/4 OD
13	2-00-00209	4	Bolt, 3/8-16 x 1.25 Hex Head
14	2-00-02310	4	Lock Washer, 3/8 Helical Spring
15	2-00-02360	4	Nut, 3/8-16 Hex
16	2-00-03702	4	Washer, .625 x .281 x .063
17	2-00-00205	2	Bolt, 1/4-20 Fin. Hex Head
18	2-00-00641	2	Nut, 1/4-20 Fiber Insert

\* = Included with 0777-068 and 0777-069 engines

See "Spare Parts" and "Engine Service Parts" pages for additional engine replacement parts.



Item	Ref. No.	Qty	Description
1	0777-068	1	Engine, GM 3.0 LP
	0777-069	1	Engine, GM 3.0 GAS
2	7-33-02706	1	Hose, Upper Radiator
3	7-33-02713	1	Hose, Lower Radiator
4	2-00-03404	2	Clamp, Hose
5	2-00-02216	2	Clamp, Hose
6	7-75-01282	1	Spacer, Fan
7	56109130	1	Fan, 18" 5-Blade Sickle
8	2-00-00530	4	Lock Washer, 5/16
9	2-00-06557	4	Screw, 5/16-24 x 2.25 Hex Head
10	2-00-03829	1	Lock Washer, 3/8 Int./Ext. Tooth
11	2-00-04705	1	Bolt, 3/8-16 x 1.25 Fin. Hex Head
12	56109184	1	Connector, O-Ring
13	56305142	1	Hose Assy
14	56462247	1	Plug, Hex 37 Flared





08-4	<b>LP FUEL TANK ASSEMBLY</b>			
08-6	<b>7765</b>			<b>105</b>

Item	Ref. No.	Qty	Description
1~!	7-16-05049	1	Coupling (Woodward N3-0042-1)
2~!	8-56-05026	1	Fitting, 1/4 NPT x 1/4 FM 45° (Woodward N2-1106)
3~!	2-00-05721	1	Fitting, 1/4 NPT x 3/8 SAE 45, 45° (Woodward N2-1105)
4~!	7-33-02740	1	Hose, 5/16 ID x 44", #6 UL (Woodward 44" N8-3001)
6~!	8-56-05023	2	Fitting, 1/4 NPT x 3/8 SAE 90° (Woodward N2-1107)
5~!	7-33-02721	1	Hose, 5/16 ID x 64", #6 UL (Woodward 64" N8-3001)
7~	2-00-06094	1	Relief Valve (Woodward N3-0038-1)
8~	2-00-06555	1	Fitting, Bulkhead (Woodward N3-0037)
<b>9#</b>	56514887	2	Weldt, LP Collar
10	56514842	1	Lock
11	2-00-00220	2	Screw, 1/4-20 x .625 HHC
12	2-00-00518	2	Lock Washer, 1/4 Helical Spring
13!	56456590	1	LP Tank
14	2-00-00233	9	3/8-16 x 1.0 LG
15	2-95-04182	5	Nut, 3/8-16 Fiber Insert
16	2-00-03702	2	Washer, .625 x .281 x .063
17	7-50-05143	2	Pad
18			Intentionally Omitted
19			Intentionally Omitted
20			Intentionally Omitted
21			Intentionally Omitted
22	2-00-02310	4	Lock Washer, 3/8 Helical Spring
23!	7-11-04035	1	Light, Low LP Indicator
24!<	REF		Fitting
25	56514839	1	Guard, LP Tank
26	2-00-04721	1	Rubber Grommet

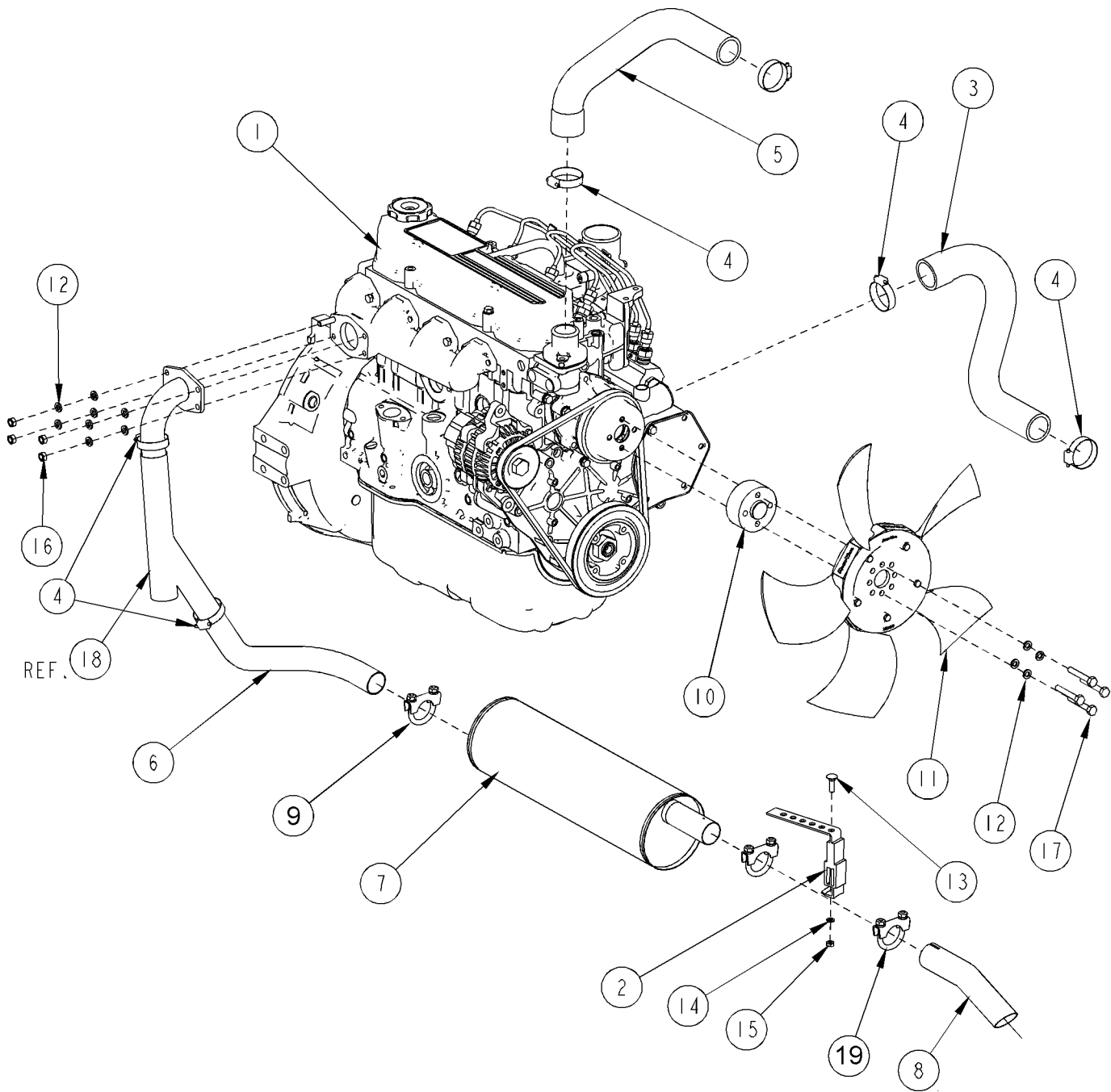
~ = Contained in LP Kit 7-11-04009

< = Comes with LP Tank

! = All NON-VGB/CE models

**#** = Revised or new since last update

See "Spare Parts" and "Engine Service Parts" pages for additional engine replacement parts.



08-4

**mitsubishi S4Q2 DIESEL ENGINE (FAN, EXHAUST, HOSES)**

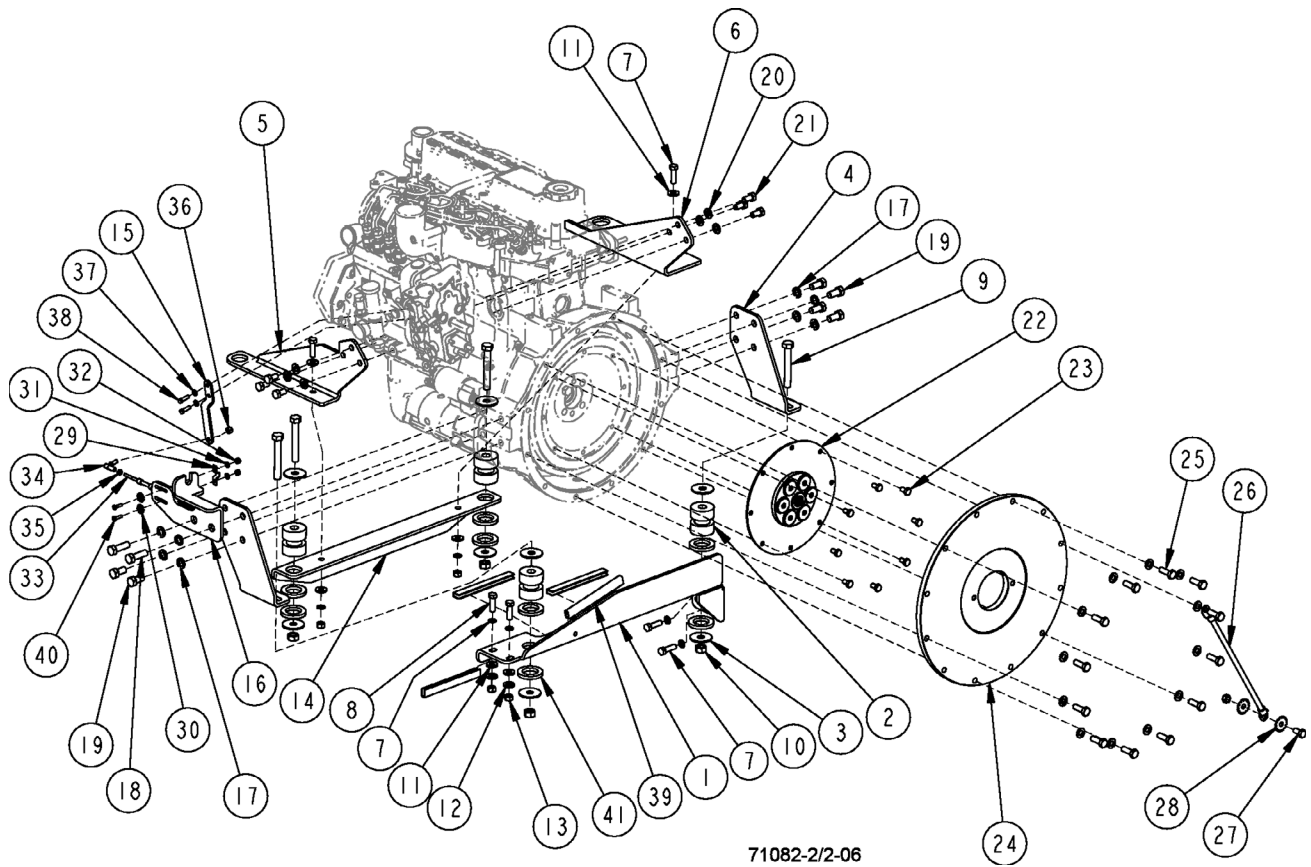
08-6

**7765****107**

Item	Ref. No.	Qty	Description
1	0777-052	1	Engine Assy., Mitsubishi S4Q2 Diesel
2#	7-31-07017	1	Hanger, Muffler
3	7-33-02709	1	Hose, Lower Radiator
4	2-00-03404	6	Clamp
5	7-33-02708	1	Hose, Upper Radiator
6	7-87-02239	1	Tube, Exhaust Downpipe
7	7-49-00031	1	Muffler
8	7-56-04055	1	Tailpipe
9	2-00-04040	2	Clamp, 1/4" Muffler
10	7-75-01248	1	Spacer, S4Q2 Engine Fan
11	56109130	1	Fan, 18" 5-Blade Sickle
12	2-00-00530	12	Lock Washer, 5/16
13	2-00-00196	1	Carriage Bolt, .31-18 x 1.0
14	2-00-00518	1	Lock Washer, 1/4" Helical Spring
15	2-00-00594	1	Nut, 1/4-20 Hex
16	2-00-05964	4	Nut, M8 x 1.25
17	2-00-05981	4	Screw, M8 x 1.25 x 55mm HHC
18	7-34-09016	1	Sleeve, Insulating
19	7-13-07075	1	Clamp Muffler 1 5/8

# = Revised or new since last update

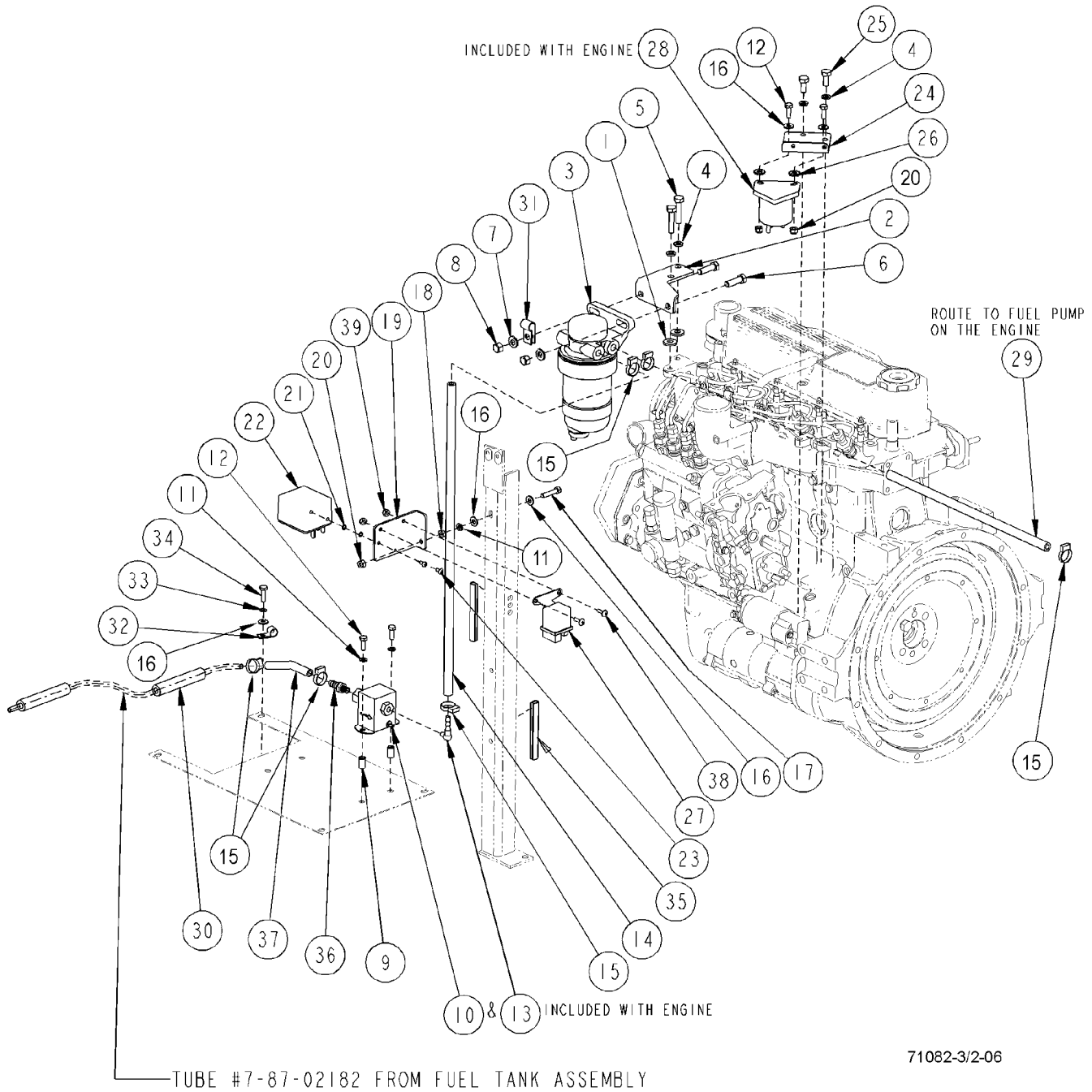
See "Spare Parts" and "Engine Service Parts" pages for additional engine replacement parts.



71082-2/2-06

Item	Ref. No.	Qty	Description
1	7-81-00273	1	Support, Engine
2	7-35-00017	4	Isolator, Engine Mount (Red Dot)
3	2-00-05067	8	Spacer, Snubbing Washer
4	7-08-01341	2	Bracket, Engine Rear
5	7-08-01339	1	Bracket, Engine Mount
6	7-08-01340	1	Bracket, Engine Mount
7	2-00-02310	6	Lock Washer, 3/8 Helical Spring
8	2-00-04705	6	Bolt, 3/8-16 x 1.25 LG Fin. Hex Head
9	2-00-02698	4	Screw, 1/2-20 x 3.50 LG HHC
10	2-00-00640	4	Nut, 1/2-20 Fiber Insert
11	2-00-04801	6	Flat Washer, 1.00 x .39 x .06
12	2-00-02312	2	Lock Washer, 1/2"
13	2-00-02360	5	Nut, 3/8-16 Hex
14	7-81-00290	1	Support, Engine
15	8-03-04321	1	Arm, Throttle
16	7-08-01209	1	Bracket, Forward/Reverse Cable
17	2-00-05043	8	Washer, 25/64 ID x 3/4 OD Plain
18	2-00-05370	2	Screw, M12 x 1.75 x 40mm HHC
19	2-00-05957	6	Screw, M12 x 1.75 x 25mm HHC
20	2-00-05042	18	Lock Washer, M10 Helical Spring
21	2-00-05958	6	Screw, M10 x 1.25 x 20mm HHC
22	7-16-05045	1	Coupling, Engine
23	2-00-05963	8	Screw, M8 x 1.25 x 15mm 8.8 Blox
24	7-33-05144	1	Casting, Pump Plate
25	2-00-05961	12	Screw, M10 x 1.25 x 30mm HHC
26	8-90-07328	1	Wire, Ground to Frame
27	2-00-00232	1	Bolt, 3/8-16 Fin. Hex Head
28	2-00-03829	2	Lock Washer, 3/8 Int./Ext. Tooth
29	8-13-07094	1	Clamp, Conduit
30	2-00-00498	2	Lock Washer, #10 Ext.
31	2-00-00426	2	Flat Washer, .500 x .219 x .063
32	2-00-01246	2	Nut, #10-24 Elastic Stop
33	7-10-00024	1	Cable, Throttle (80")
34	8-25-02036	1	Connector, Ball Joint
35	2-00-00626	1	Nut, 10-32
36	2-00-00633	1	Nut, 1/4-28 Fiber Insert
37	2-00-00518	2	Lock Washer, 1/4" Helical Spring
38	2-00-05279	2	Screw, M6 x1.0 x 20mm HHC
39	7-21-04031	4	Edging, Brush Drive Support
40	2-00-04795	2	Screw, 8-32 BHC
41	2-00-05955	8	Washer

See "Spare Parts" and "Engine Service Parts" pages for additional engine replacement parts.

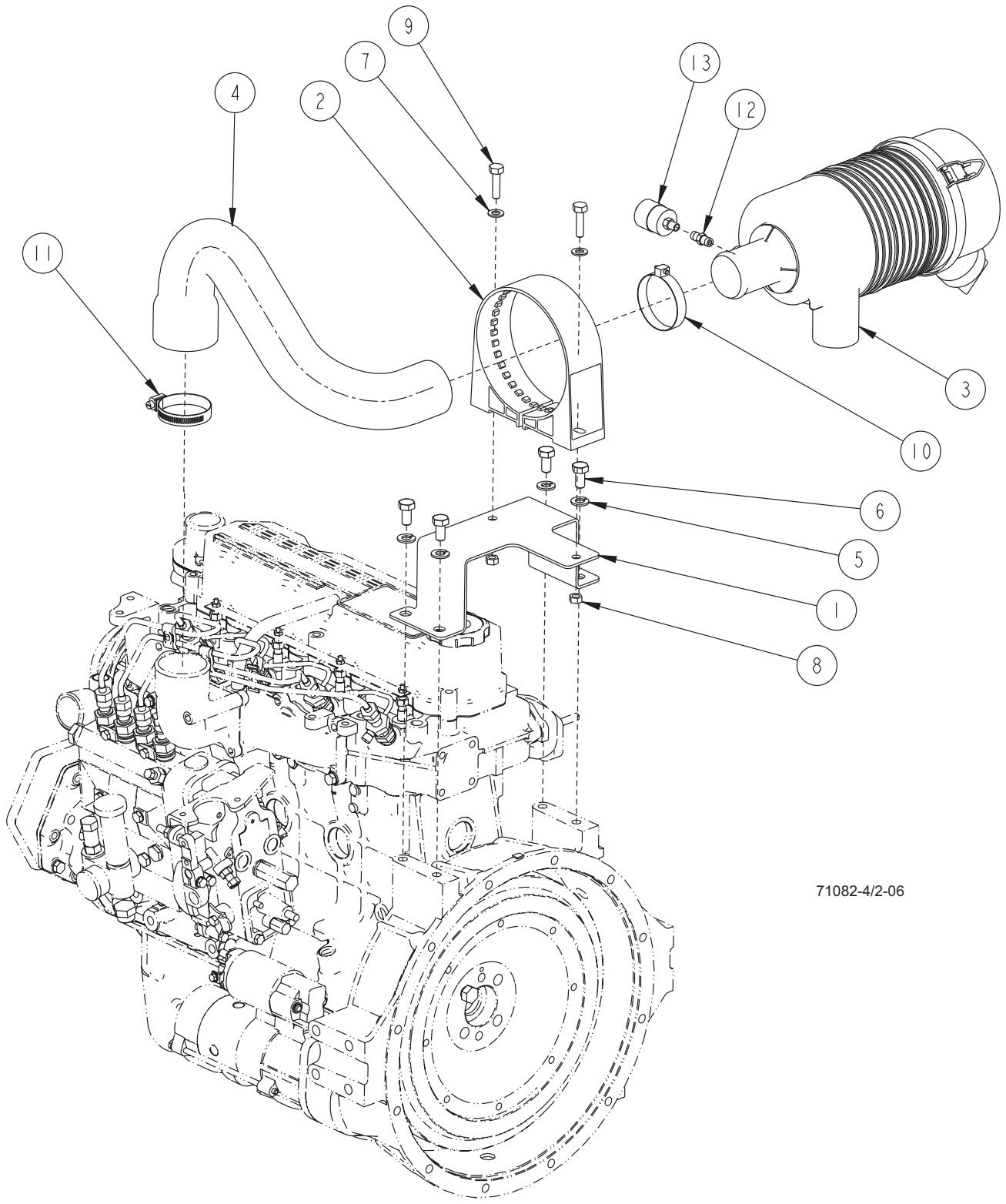


71082-3/2-06

Item	Ref. No.	Qty	Description
1	2-00-04801	2	Flat Washer, 1.00 x .39 x .06
2	8-08-00940	1	Bracket, Fuel Filter
3	7-24-04078	1	Filter, Diesel Fuel
4	2-00-00530	4	5/16" Lock Washer
5	2-00-06532	2	Screw, M8 x 1.25 x 40mm
6	2-00-00209	2	Bolt, 3/8-16 x 1.25 Hex Head
7	2-00-00402	2	Washer, 25/64 ID x 3/4 OD
8	2-95-04182	2	Nut, 3/8-16 Hex Stop
9	2-00-05261	2	Insert, 1/4-20 Threaded
*10	8-60-05028	1	Pump, Fuel
11	2-00-00518	3	Lock Washer, 1/4" Helical Spring
12	2-00-00221	4	Bolt, 1/4-20 x .75 Fin. Hex Head
*13	2-00-05973	1	Hose Barb, 1/8 NPT x 5/16 90° Elbow
14	8-33-02145	1	Hose, Fuel (22")
15	2-95-04388	6	Clamp, Hose
16	2-00-03702	5	Flat Washer, .625 x .281 x .062
17	2-00-02587	1	Cap Screw, 1/4-20 x 1.25 Hex Head
18	2-00-00594	1	Nut, 1/4-20 Hex
19	8-08-00936	1	Bracket, Murphy
20	2-00-00641	3	Nut, 1/4-20 Fiber Insert
21	2-00-00512	2	Star Washer
22	7-64-00040	1	Relay, Murphy
23	2-00-00052	2	Screw, #10-24 x .38 RHMS
24	8-08-00939	1	Bracket, Murphy
25	2-00-04363	2	Screw, M8 x 1.25 x 20mm
26	2-00-00503	2	Lock Washer, 1/4-20
27	7-64-00041	1	Relay, Glow Plug
*28	8-74-00012	1	Solenoid, Starter
29	8-33-02172	1	Hose, Fuel (15")
30	8-08-07038	2	Bumper, Fuel Line
31	2-00-04873	1	Clamp, Cable
32	2-00-04602	1	Clamp
33	2-00-00501	1	Washer, 1/4 ID x .44 OD x .046
34	2-00-01490	1	Screw, 1/4-20 x .875 Hex Head
35	7-21-04051	2	Edging, Frame
36	2-00-05983	1	Fitting, 1/8 NPT x 5/16 Hose Barb
37	7-33-02641	1	Hose, 5/16 ID x 4" Fuel
38	2-00-03062	2	Screw, #10-24 x 5/8
39	2-00-01246	2	Nut, #10-24 Elastic Stop

\* = Comes with Engine Assembly

See "Spare Parts" and "Engine Service Parts" pages for additional engine replacement parts.

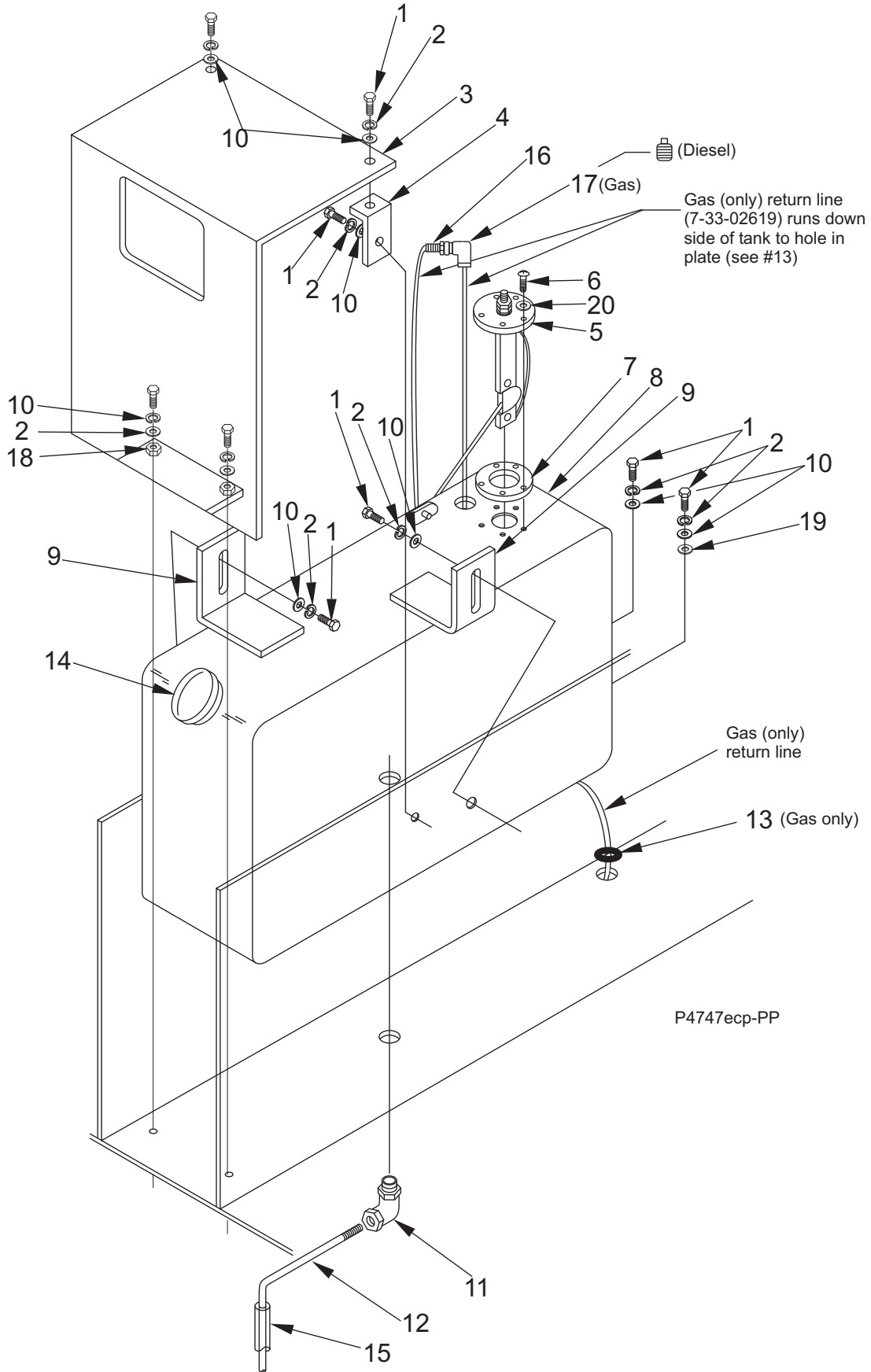


71082-4/2-06



Item	Ref. No.	Qty	Description
1	7-08-01206	1	Bracket, Air Cleaner
2	7-13-07231	1	Band, Air Cleaner Assy.
3	7-24-04083	1	Filter Assy., Air Cleaner
4	7-33-02613	1	Hose, Air Intake
5	2-00-05042	4	Lock Washer, M10 Helical Spring
6	2-00-05958	4	Screw, M10 x 1.25 x 20mm HHC
7	2-00-00409	2	Flat Washer, .687 x .344 x .062
8	2-00-00644	2	Nut, 5/16-18 Fiber Insert Hex
9	2-00-00207	2	Screw, 5/16-18 x 1.25 Hex Head
10	2-00-02216	1	Clamp, Hose
11	2-00-02217	1	Clamp, Hose
12	2-00-05004	1	Fitting, 1/8 NPT Nipple
13	56478461	1	Filter Service Indicator

See "Spare Parts" and "Engine Service Parts" pages for additional engine replacement parts.



08-4

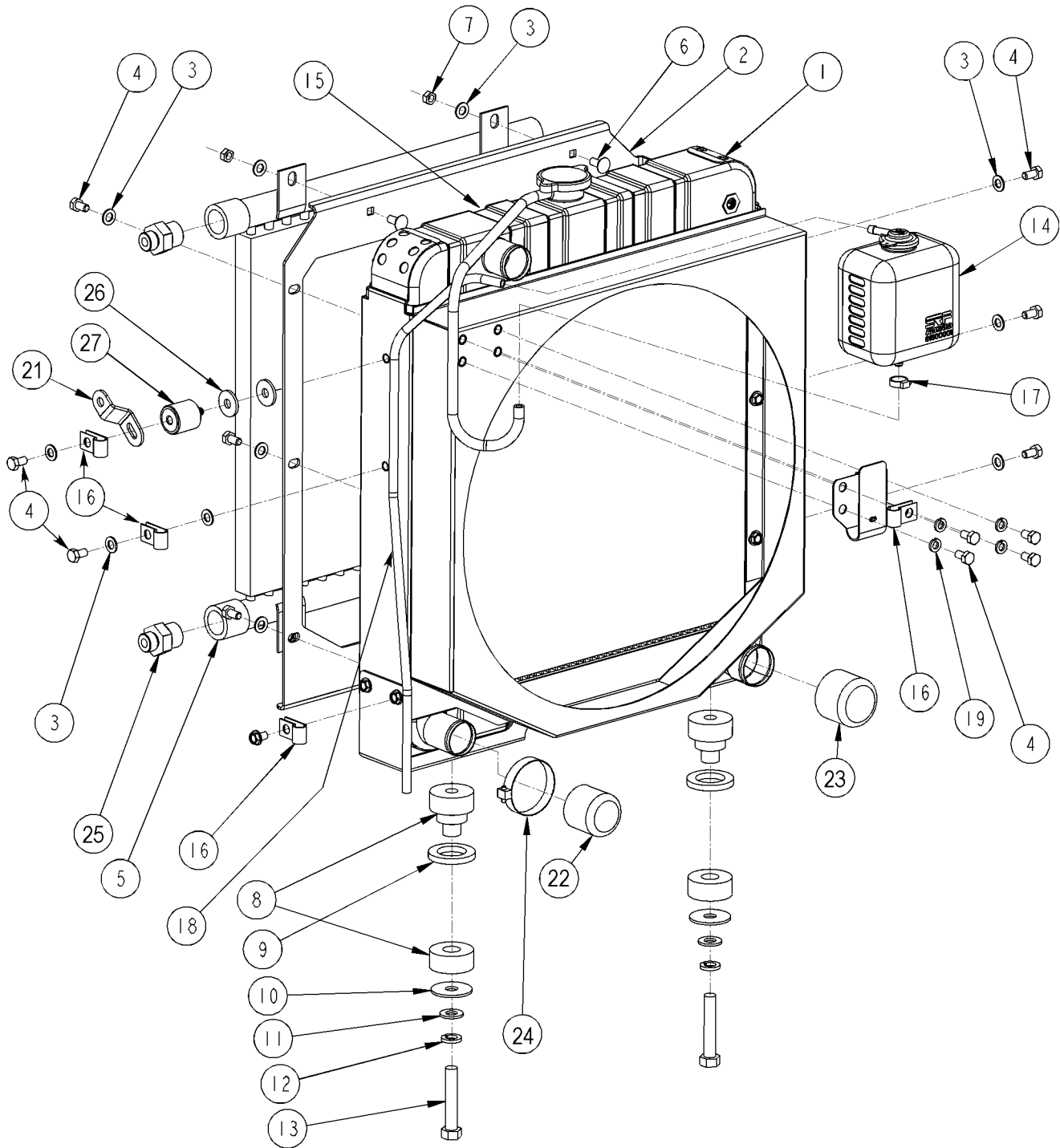
**FUEL TANK (DIESEL)**

08-6

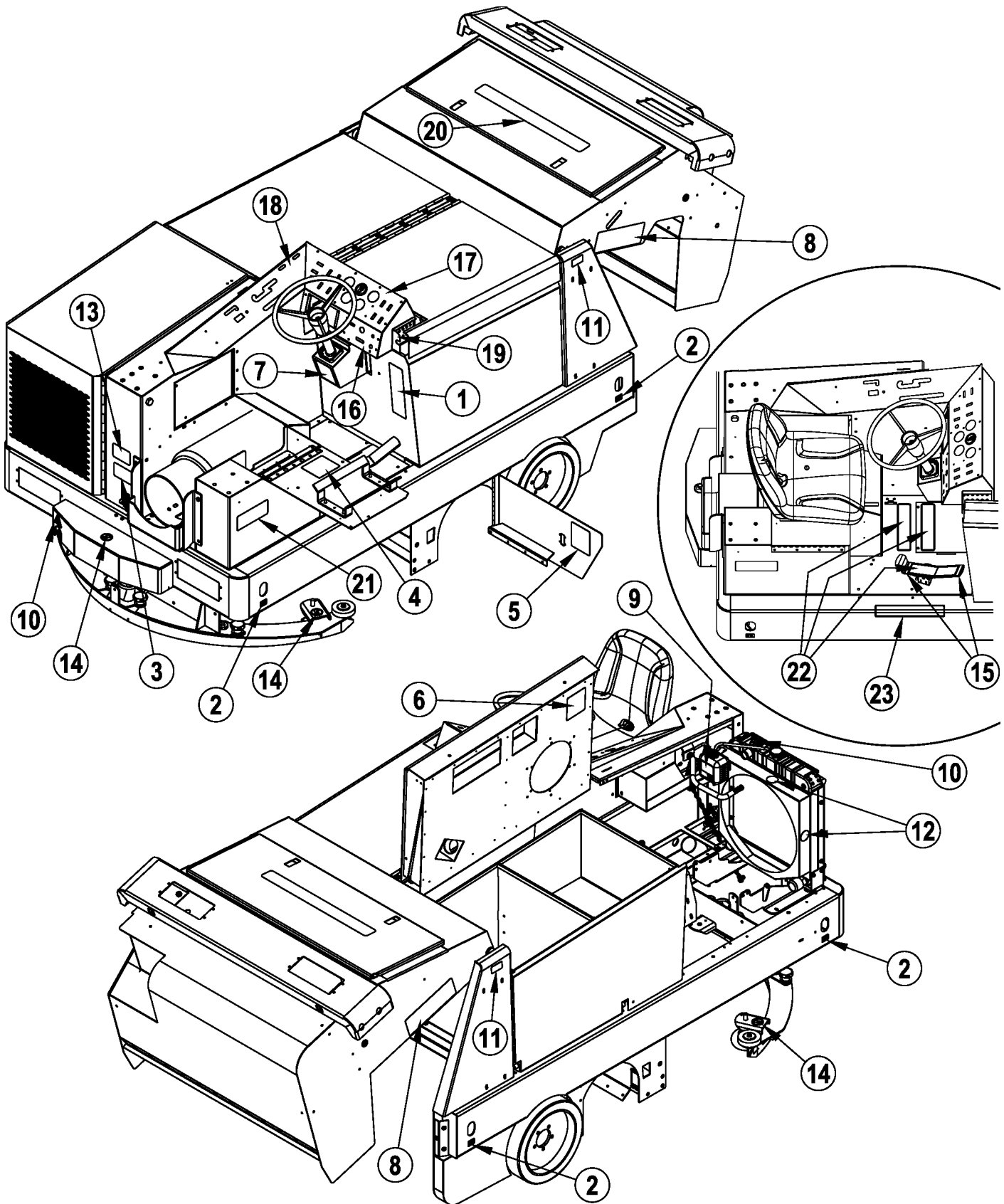
**7765****115**

Item	Ref. No.	Qty	Description
1	2-00-00221	8	Screw, 1/4-20 x .750 HHC
2	2-00-00518	10	Lock Washer, 1/4 Helical Spring
3	56514816	1	Cover
4	56514817	2	Bracket
5	8-26-04003	1	Float
6	2-00-04737	5	Screw, #10-32 x .44 (Self-Seal)
7#	7-29-00348	1	Gasket
8	8-83-04029	1	Fuel Tank
9	56514818	2	Bracket
10	2-00-03702	10	Flat Washer, 1.062 x .265 x .062
11	2-00-04494	1	Fitting, 1/8" 90° Male Elbow Compression
12	7-87-02160	1	Fuel Line
13	2-00-03878	1	Grommet, 1.125 x .625 x .437 x .187
14	7-11-00029	1	Fuel Cap
15	8-08-07038	2	Bumper, Fuel Line
18	2-00-00594	2	Nut, 1/4-20 Fin. Hex
19#	2-00-03829	1	Star Washer
20	2-00-00512	1	Star Washer

# = Revised or new since last update



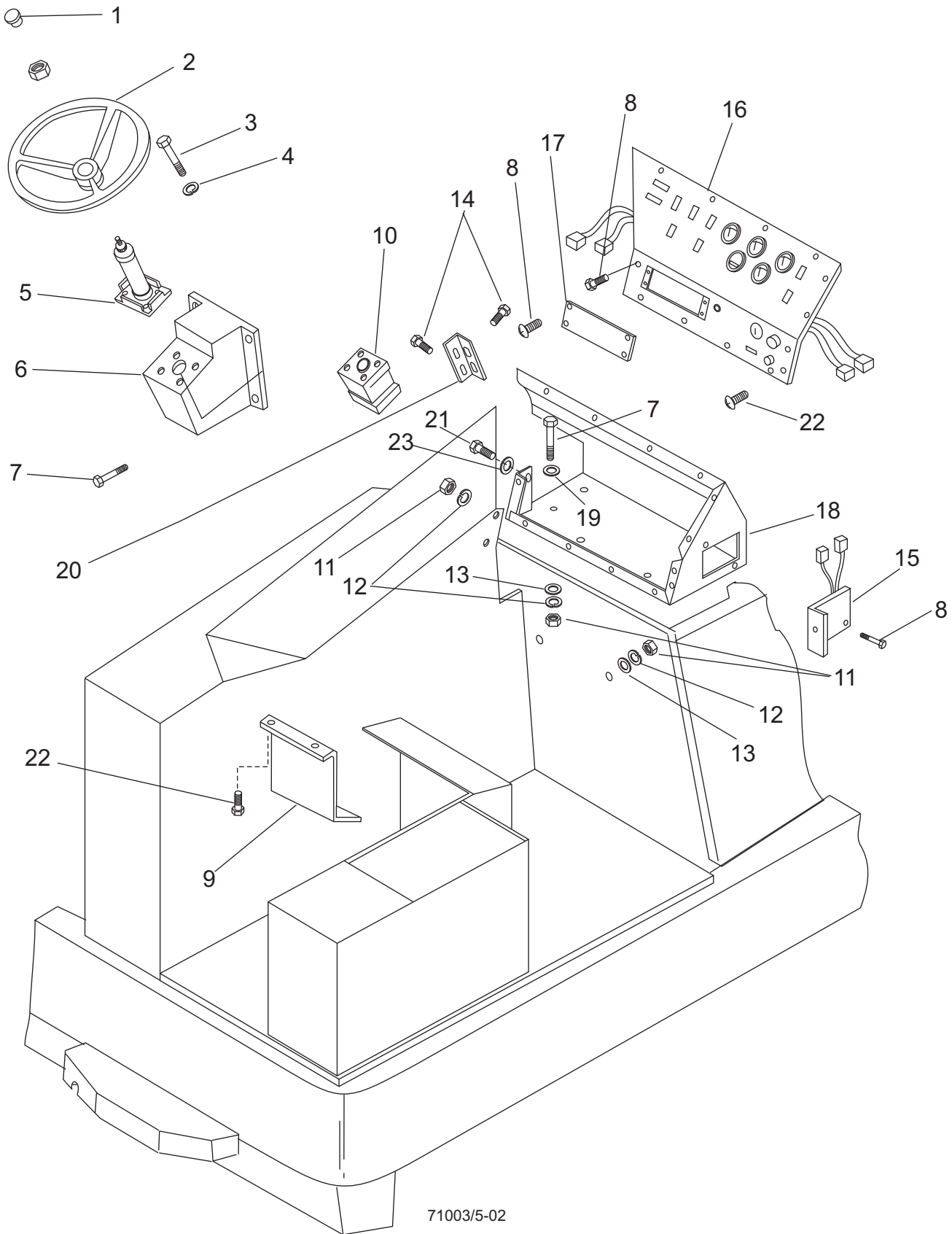
Item	Ref. No.	Qty	Description
1	56109131	1	Radiator
2	7-08-01337	1	Bracket, Oil Cooler
3	2-00-00409	13	Flat Washer, .687 x .344 x .062
4	2-00-05963	12	Screw, M8 x 1.25 x 15mm HHC
5	7-62-01014	1	Oil Cooler
6	2-00-03569	4	Carriage Bolt
7	2-00-00644	4	Nut, 5/16-18 Fiber Insert Hex
8	7-35-00017	2	Isolator, Engine Mount (Red Dot)
9	2-00-05955	2	Washer
10	2-00-05067	2	Spacer, Snubbing Washer
11	2-00-00405	2	Flat Washer, 1.063 x .531 x .094
12	2-00-02312	2	Lock Washer, 1/2"
13	2-00-02682	2	Screw, 1/2-13 x 2.75
14	7-07-02002	1	Overflow Bottle Assy. (1 liter)
15	7-33-02723	1	Hose, 1/4" ID x 20", Black
16	2-00-04873	4	Clamp, Cable
17	2-00-05363	1	Clamp, Hose
18	7-33-02724	1	Hose, 1/4" ID x 28", Clear
19	2-00-00530	4	Lock Washer, 5/16
20			Intentionally Omitted
21	56109092	1	Bracket, Radiator Support
22	2-00-05956	1	Plug, Radiator Outlet (Gasoline/LPG)
23	2-00-06571	1	Plug, Radiator Outlet (Diesel)
24	2-00-02216	1	Clamp, Hose
25	2-00-04979	2	Fitting, Straight -8 ORS x -12 SAE
26	2-00-03266	2	Fan Washer
27	7-35-00028	1	Isolator, 32 x 32, M8-1.25



Item	Ref. No.	Qty	Description
1	56014601	1	Decal, Caution
2	56015370	4	Decal, Tie Down
3	56111419	1	Decal, LPG ( <b>LPG only</b> )
4	56015424	1	Decal, Warning Hydraulic
5	56015425	2	Decal, Warning Broom
6	56015426	2	Decal, Warning Fan
7	56015427	1	Decal, Warning Tip Over
8	56015428	2	Decal, Warning Hopper
9	56015463	1	Decal, Coolant Level
10	56016363	2	Decal, Warning Hot
11	56025496	2	Decal, Caution
12	56030080	2	Decal, Hands Clear
13	56016226	1	Decal, Unleaded Fuel ( <b>Petrol only</b> )
	56109404	1	Decal, Low Sulfur Diesel ( <b>Diesel only</b> )
14	56016163	3	Decal, No Step
15	8-18-00490	1	Bi-directional Pedal
16	8-18-00517	1	Front Instrument Panel
17	8-18-00516	1	Top Instrument Panel
18	8-18-00521	1	Left Side Control Panel
19	8-18-00500	1	Side Broom-Pull to Raise
20	56514819	1	American-Lincoln (large)
21	56514821	2	Decal, 7765
22	8-50-05022	3	Pad (foot pedal)
23	7-50-05136	1	Pad (edge)

120

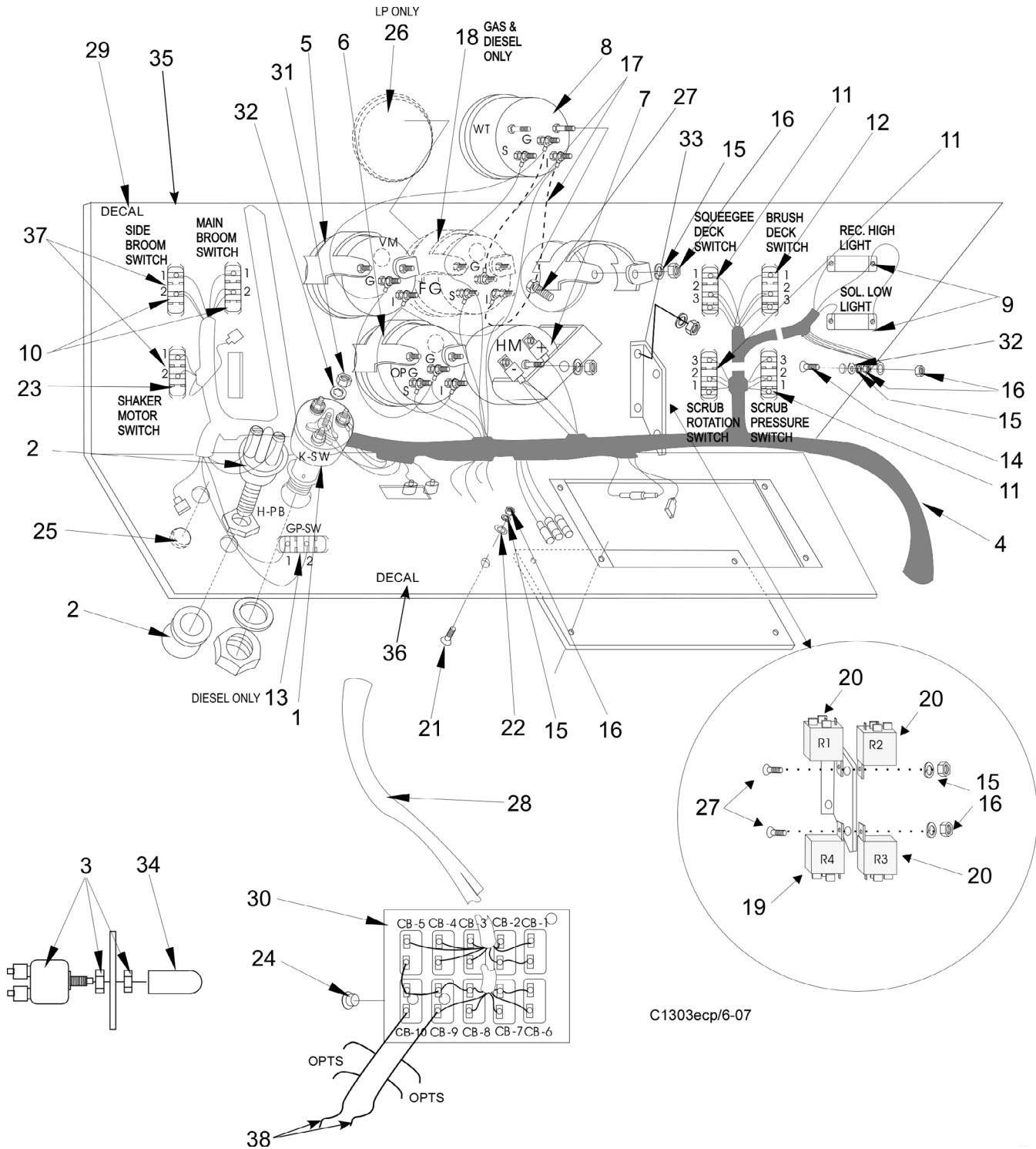
7765



71003/5-02



Item	Ref. No.	Qty	Description
1	8-11-00022	1	Cap, Steering Wheel
2	7-89-08041	1	Steering Wheel
3	2-00-00233	4	Screw, 3/8-16 x 1.0 HHC
4	2-00-02310	4	Lock Washer, 3/8 Helical Spring
5	7-70-05135	1	Steering Column Assembly
6	56514761	1	Housing, Steering
7	2-00-04685	8	Screw, 1/4-20 x 3/4 SS
8	2-00-03059	7	Screw, #10-24 x .375 THM
9	56514759	1	Cover, Panel
10	7-60-05029	1	Pump, Steering Control Unit
	0880-675	1	Pump Seal Kit (Service item)
11	2-00-04688	10	Nut, 1/4 -20 SS Hex
12	2-00-04687	10	Lock Washer, 1/4 SS
13	2-00-04590	6	Sealing Washer, .63 x .25
14	2-00-04876	4	Screw, 1/4-20 x 1/2 BHS
15	56514758	1	Panel, Circuit Breaker
16	56514757	1	Instrument Panel
17	56514760	1	Blank Panel
18	56514756	1	Housing, Console
19	2-00-05237	4	Flat Washer, 1.06 x .265 x .063
20	56514762	1	Bracket, Console Support
21	2-00-00219	2	Screw, 1/4-20 x 1/2
22	2-00-03466	12	Screw, #10-16 x 1/2 T/F RHM
23	2-00-00518	2	Lock Washer, 1/4



C1303ecp/6-07

Item	Ref. No.	Qty	Description
1^	7-82-00026	1	Key Switch (K-SW)
2^	8-82-00024	1	Horn, Push Button (H-PB)
3^	8-64-00008	10	Circuit Breaker (15 AMP)
4^	0795-186	1	Harness, Instrument Panel
5^	8-48-00016	1	Voltmeter (VM)
6^	8-48-05027	1	Gauge, Oil Pressure (OPG)
7^	56478363	1	Gauge, Hour Meter (HM)
8^	8-48-05028	1	Gauge, Water Temperature (WTG)
9^	7-40-05028	2	Light, Rec High - Solution Low
10^	8-82-00044	2	Switch, Main & Side Broom (SPST On/Off)
11^	7-82-00019	3	Switch, SPST On/Off (L)
12^	7-82-00020	2	Switch, SPDT On/On
13	8-82-00045	1	Switch, Glow Plug (Diesel Only)
14	2-00-03062	1	Screw, #10 - 24 x .625 THM
15^	2-00-00519	2	Washer, #10 Lock Med. Helical Spring
16^	2-00-00605	3	Nut, #10 - 24 Hex.
17	8-90-07357	2	Wire, WTG to FG (Gas & Diesel Only)
18	8-48-05032	1	Gauge, Fuel (Gas & Diesel Only)
19^	8-64-05009	1	Relay
20^	8-64-00012	3	Relay
21	2-00-03063	3	Screw, #10 - 24 x .750 THM
22	2-00-00466	1	Flat Washer, .833 x .250 x .031
23	8-82-00045	1	Switch, Shaker Motor (SM-SW)
24	2-00-04757	2	Hole Plug
25^	2-00-04942	1	Hole Plug (Light SW)
26	7-11-04035	1	Kit, Low LP Indicator Light (LP Only)
27^	2-00-03061	2	Screw, #10-24 x .50 THM
28^	0795-111	1	Harness, Circuit Breaker
29^	56514757	1	Weldment, Instrument Panel
30^	56514758	1	Panel, Circuit Breaker Mount
31	2-00-02330	4	Nut, #10-32 Hex.
32	2-00-00512	5	Washer, #10 Int.
33^	8-08-00748	1	Bracket, Relay
34^	8-11-00044	10	Boot
35^	8-18-00516	1	Decal, Control Top Instr Panel
36^	8-18-00517	1	Decal, Control Top Instr Panel
37<	2-00-04896	2	Hole Plug
38^	8-90-07434	2	Wire Assy.

^ = Used on all models

< = Used on MD models

**SPARE PARTS – GAS/LP (VARIABLE DUMP) MACHINES****BROOM & HOPPER COMPONENTS**

7-25-08036	1	Flap, Broom Chamber Front
7-25-08032	1	Flap - Broom Chamber
7-25-08034	2	Flap - Broom Chamber Rear Sides
7-25-08033	2	Flap - Broom Door
7-29-00226	4	Gasket - Broom Door
7-25-08068	1	Flap - Hopper Lip
7-68-05019	1	Seal Outer Door

**SQUEEGEE COMPONENTS**

56514860	1	Kit, Rear Skirt, Squeegee
56514859	1	Kit, Side Skirt, Squeegee

**FILTERS**

7-24-04032	1	Hydraulic Return Filter Element
7-24-04046	1	Hopper Panel Filter
7-24-04086	1	Engine Air Filter (Safety)
56482029	1	Engine Air Filter (Main)

**ENGINE-RELATED COMPONENTS****GM 3.0L Gas/LP Engine**

56109023	1	Oil Filter
56305412	1	Fuel Filter (Gasoline)
56305410	1	Filter (Propane)
56109028	1	Belt, Water Pump & Alternator
56504459	A/R	Seal, Front Crankshaft

**SPARE PARTS - GAS/LP (MANUAL DUMP) MACHINES****BROOM & HOPPER COMPONENTS**

7-25-08052	1	Flap, Broom Chamber Front
7-25-08051	1	Flap, Broom Chamber Upper
7-25-08050	4	Flap, Hopper Lip

**SQUEEGEE COMPONENTS**

56514860	1	Kit, Rear Skirt, Squeegee
56514859	1	Kit, Side Skirt, Squeegee

**FILTERS**

7-24-04032	1	Hydraulic Return Filter Element
7-24-04086	1	Engine Air Filter (Safety)
56482029	1	Engine Air Filter (Main)

**ENGINE-RELATED COMPONENTS****GM 3.0L Gas/LP Engine**

56109023	1	Oil Filter
56305412	1	Fuel Filter (Gasoline)
56305410	1	Filter (Propane)
56109028	1	Belt, Water Pump & Alternator
56504459	A/R	Seal, Front Crankshaft

**SPARE PARTS - DIESEL (VARIABLE DUMP) MACHINE****OPTION NO. 0780-621****BROOM & HOPPER COMPONENTS**

7-25-08036	1	Flap - Broom Chamber Front
7-25-08032	1	Flap - Broom Chamber
7-25-08034	2	Flap - Broom Chamber Rear Sides
7-25-08033	2	Flap - Broom Door
7-29-00226	4	Gasket - Broom Door
7-25-08068	1	Flap - Hooper Lip
7-68-05019	1	Seal - Outer Door

**SQUEEGEE COMPONENTS**

56514860	1	Kit, Rear Skirt, Squeegee
56514859	1	Kit, Side Skirt, Squeegee

**FILTERS**

#	7-24-04086	1	Engine Air Filter (Safety) <b>NOTE 1</b>
#	56482029	1	Engine Air Filter (Main) <b>NOTE 1</b>
	7-24-04032	1	Hydraulic Return Filter Element
	7-24-04046	1	Hopper Panel Filter

**NOTE 1:** Both filters should be changed at the same time

**ENGINE-RELATED COMPONENTS****Mitsubishi S4Q2 Diesel Engine**

7-24-04097	1	Oil Filter
7-24-04089	1	Element, Fuel Filter
2-00-05968	1	Belt, Alternator/Fan
56504421	1	Solenoid & Linkage, Shut Down
56504455	A/R	Ring Set, Piston
56504456	A/R	Bushing, Con-Rod

126

7765

**SPARE PARTS - DIESEL (MANUAL DUMP) MACHINES**

OPTION NO. 0780-625

**BROOM & HOPPER COMPONENTS**

7-25-08052	1	Flap, Broom Chamber Front
7-25-08051	1	Flap, Broom Chamber Upper
7-25-08050	4	Flap, Hopper Lip

**REAR SQUEEGEE COMPONENTS**

56514860	1	Kit, Rear Skirt, Squeegee
56514859	1	Kit, Side Skirt, Squeegee

**FILTERS**

7-24-04086	1	Engine Air Filter (Safety)
56482029	1	Engine Air Filter (Main)
7-24-04032	1	Hydraulic Return Filter Element

**ENGINE-RELATED COMPONENTS****Mitsubishi S4Q2 Diesel Engine**

7-24-04097	1	Oil Filter
7-24-04089	1	Element, Fuel Filter
2-00-05968	1	Belt, Fan/Alternator
56504421	1	Solenoid & Linkage, Shut Down
56504455	A/R	Ring Set, Piston
56504456	A/R	Bushing, Con-Rod

08-4

**ENGINE SERVICE PARTS - MITSUBISHI S4Q2 DIESEL**

08-6

**7765****127**

Ref. No.	Qty	Description
0775-287	1	Alternator
7-23-00022	1	Fan, S4Q2 Engine
2-00-05968	1	Belt, Alternator/Fan
7-60-05048	1	Water Pump
7-29-00339	1	Gasket, Water Pump
7-24-04097	1	Oil Filter
7-75-03005	4	Glow Plug
7-64-00041	1	Relay, Glow Plug (installed on wire harness)
7-64-00040	1	Relay, Murphy (installed on wire harness)
0769-029	1	Injector
7-56-04071	1	Pipe, Cylinder #1
7-56-04072	1	Pipe, Cylinder #2
7-56-04073	1	Pipe, Cylinder #3
7-56-04074	1	Pipe, Cylinder #4
7-56-04079	1	Pipe, Fuel Leak-Off
7-29-00312	1	Gasket, Thermostat
7-84-08016	1	Thermostat
0775-285	1	Starter
7-29-00338	1	Gasket, Cylinder Head
56504421	1	Solenoid & Linkage, Shut Down
7-24-04089	1	Element, Fuel Filter
7-24-04088	1	Filter, Water Separator
7-82-00052	1	Switch, Water Temperature
7-82-00055	1	Switch, Oil Pressure (for Murphy Shutdown)
# 56504485	1	Manifold, Exhaust S4Q2
# 56504486	1	Gasket, Manifold to Head
# 56504487	1	Gasket, Manifold to Pipe
#		DELETED
#		DELETED
#		DELETED

# = Revised or new since last update

Ref. No.	Qty	Description
56109000	1	ECU, 2006 LP Cert 3.0L <b>NOTE 1</b>
56109113	1	ECU, 2007 LP Cert 3.0L <b>NOTE 1</b>
56109001	1	ECU, 2006 Gas Cert 3.0L <b>NOTE 2</b>
56109114	1	ECU, 2007 Gas Certified 3.0L <b>NOTE 2</b>
0795-225	1	Harness, 3.0L LP
0795-228	1	Harness, 3.0L Gas
0795-220	1	Harness, Engine To Machine Interface
0795-226	1	Harness, Fuel Temp Extension
56109002	1	Sensor, Coolant
56109003	1	Sensor, Crankshaft Position
56109004	1	Sensor, TMAP
56109005	1	Sensor, O2 Pre Cat
56109006	1	Switch, Oil Pressure
# 56504476	1	Sender, Water Temp
8-69-00005	1	Sender, Oil Pressure
56109007	1	Water Pump
56109008	1	Oil Pump
56109009	1	Gasket, Cylinder Head
56109010	1	Gasket, Valve Cover
56109011	1	Gasket, Lifter Cover
56109012	1	Gasket, Intake Manifold
56109013	1	Plate, Drive, SAE 13T B-B
56109014	6	Bolt, Drive Plate
56109015	1	Distributor Assembly (Complete)
56109016	1	Distributor Cap
56109017	1	Distributor Rotor
56109018	1	Ignition Module
56109019	1	Ignition Coil
56109020	1	Coil Wire
56109021	1	Spark Plug Wire Set
56109022	4	Spark Plug
56109023	1	Oil Filter
56109024	1	PCV Valve
56109025	1	Starter
56109026	2	Bolt, Starter
56305867	1	Alternator
56109028	1	Belt, Water Pump & Alternator
56109029	1	Thermostat, 180
56109030	1	Gasket, Thermostat
56109032	1	Gasket, Thermostat Housing

# = Revised or new since last update

**NOTE 1:** Use ECU 56109000 for 2006 engine (P/N: 39000558). Use ECU 56109113 for 2007 engine (P/N: 39000653).

**NOTE 2:** Use ECU 56109001 for 2006 engine (P/N: 39000559). Use ECU 56109114 for 2007 engine (P/N: 39000655).



08-4

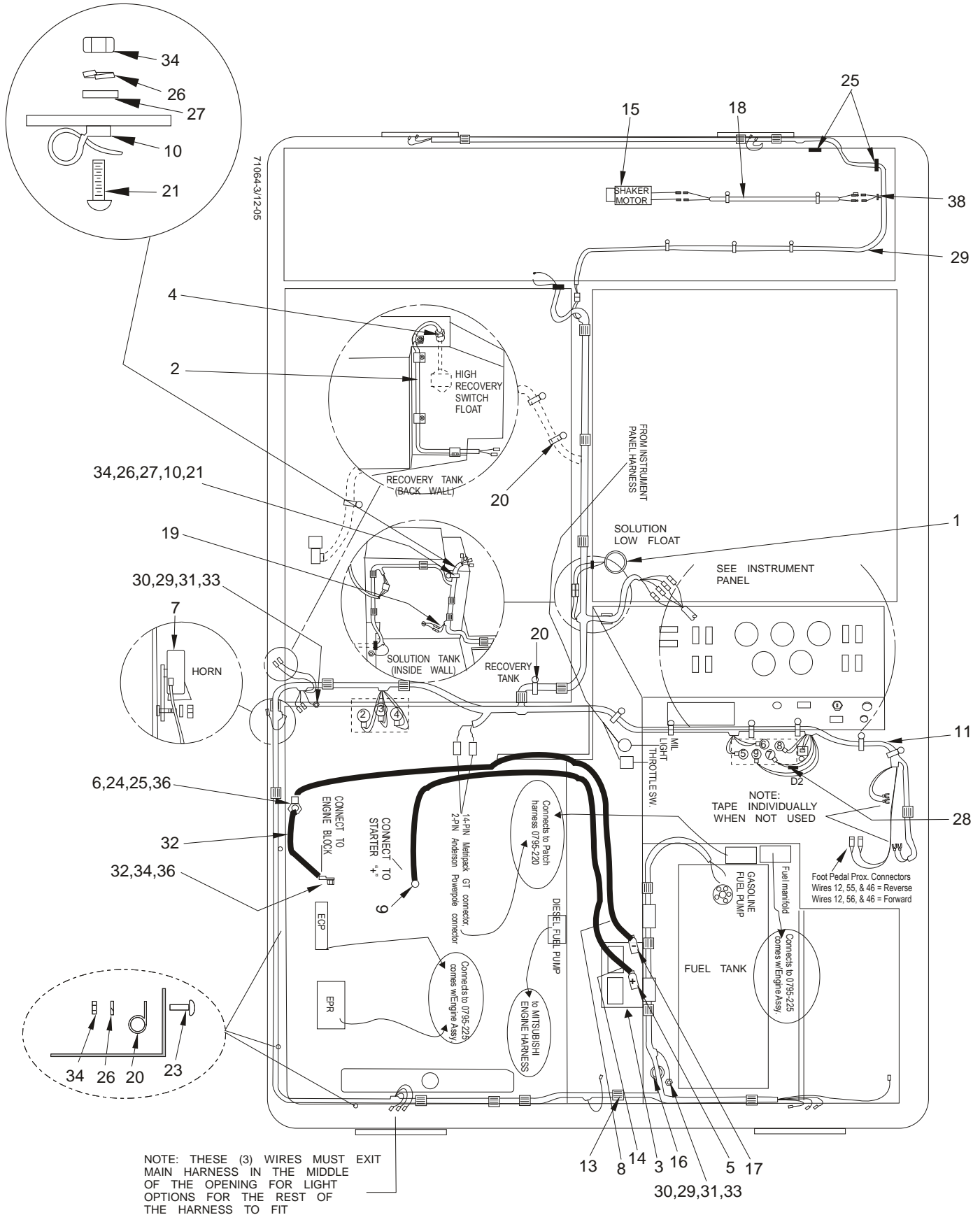
**ENGINE SERVICE PARTS - GM 3.0 GAS/LP (continued)**

08-6

**7765****129**

Ref. No.	Qty	Description
56109033	1	Throttle Body, Bosch 40mm
56109034	1	Gasket, Bosch Throttle Body
56109035	1	Mixer, IMPCO Model 100
56109036	1	Gasket, Adapter – Mixer
56109040	1	Adapter, Mixer - Throttle Body
56109041	2	Seal, Mixer Adapter
56109042	1	O-Ring, Mixer Adapter
56109043	1	Electronic Pressure Regulator (EPR)
56109044	1	Sender, LPG Temp - EPR
56109045	1	Fitting Kit - EPR
56109046	3	Isolator, EPR
56109047	1	Hose, Water - EPR
7-88-00110	1	Valve, LP Safety
56109048	1	Connector, Safety Valve
56109049	1	Lock, Safety Valve Connector
56305410	1	Filter, Propane
56109050	1	Fuel Rail Assembly
56109051	4	Fuel Injector
56109185	1	Intake Manifold, GM 3.0L
56508791	1	Intake Gasket
56109186	1	Exhaust Manifold, GM 3.0L
56109284	1	Exhaust Manifold Gasket
56109187	A/R	Head Bolt
56504459	A/R	Seal, Front Crankshaft
56109084		Engine Service Kit
56109085		Engine Service Manual
# 56504475	1	Hose, Breather Cap
# 56504474	1	Cap, Oil Fill

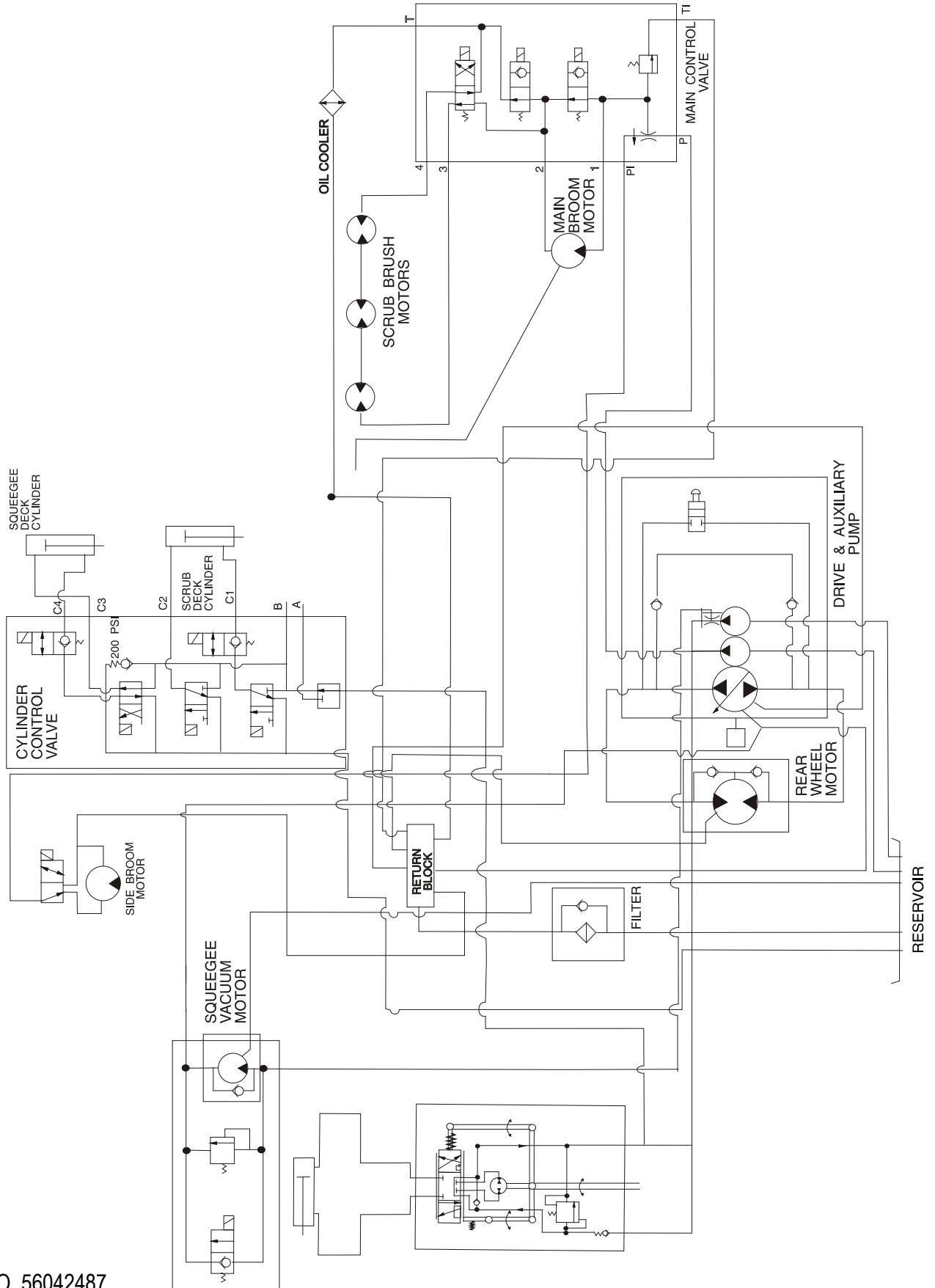
# = Revised or new since last update

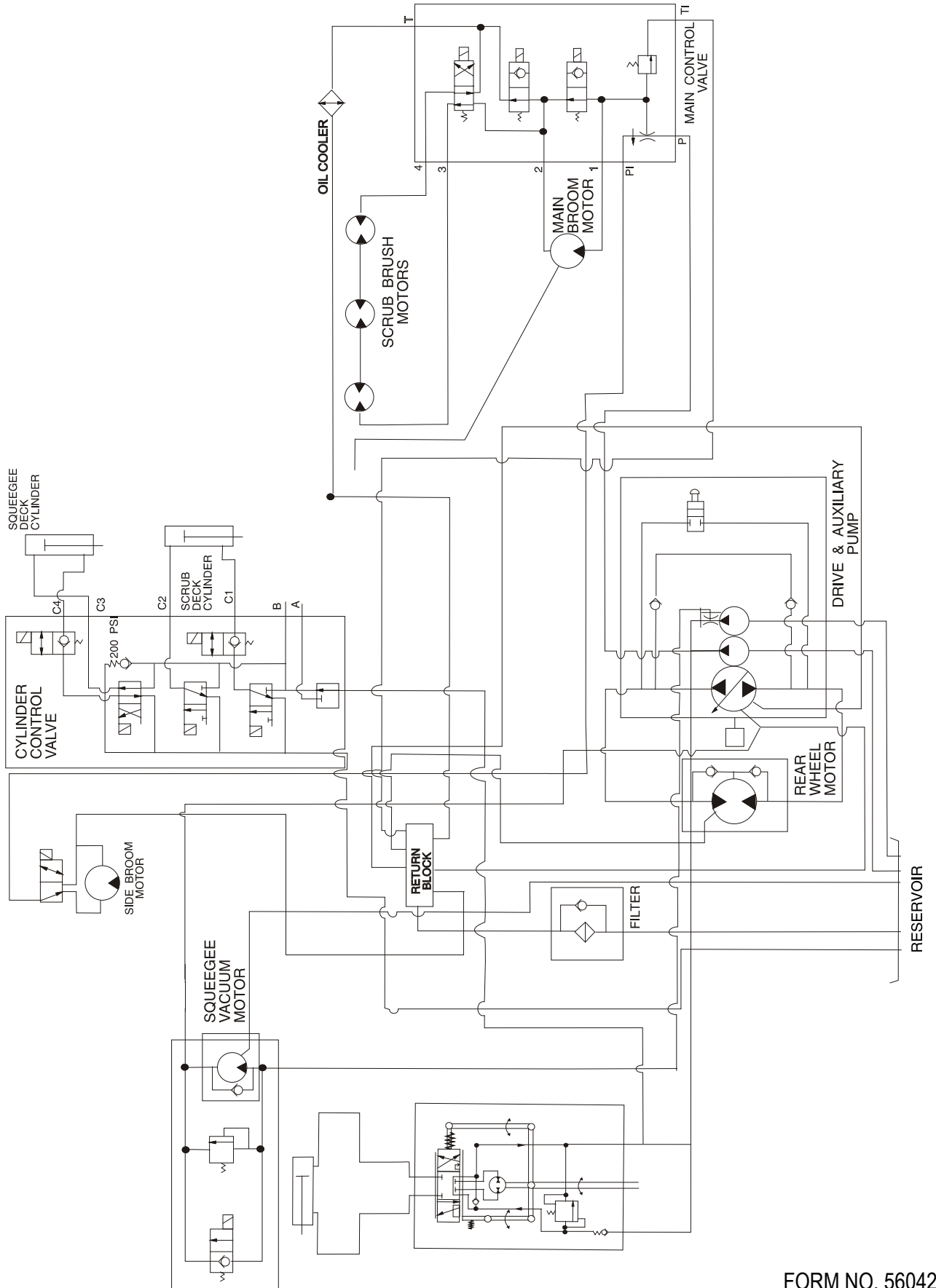


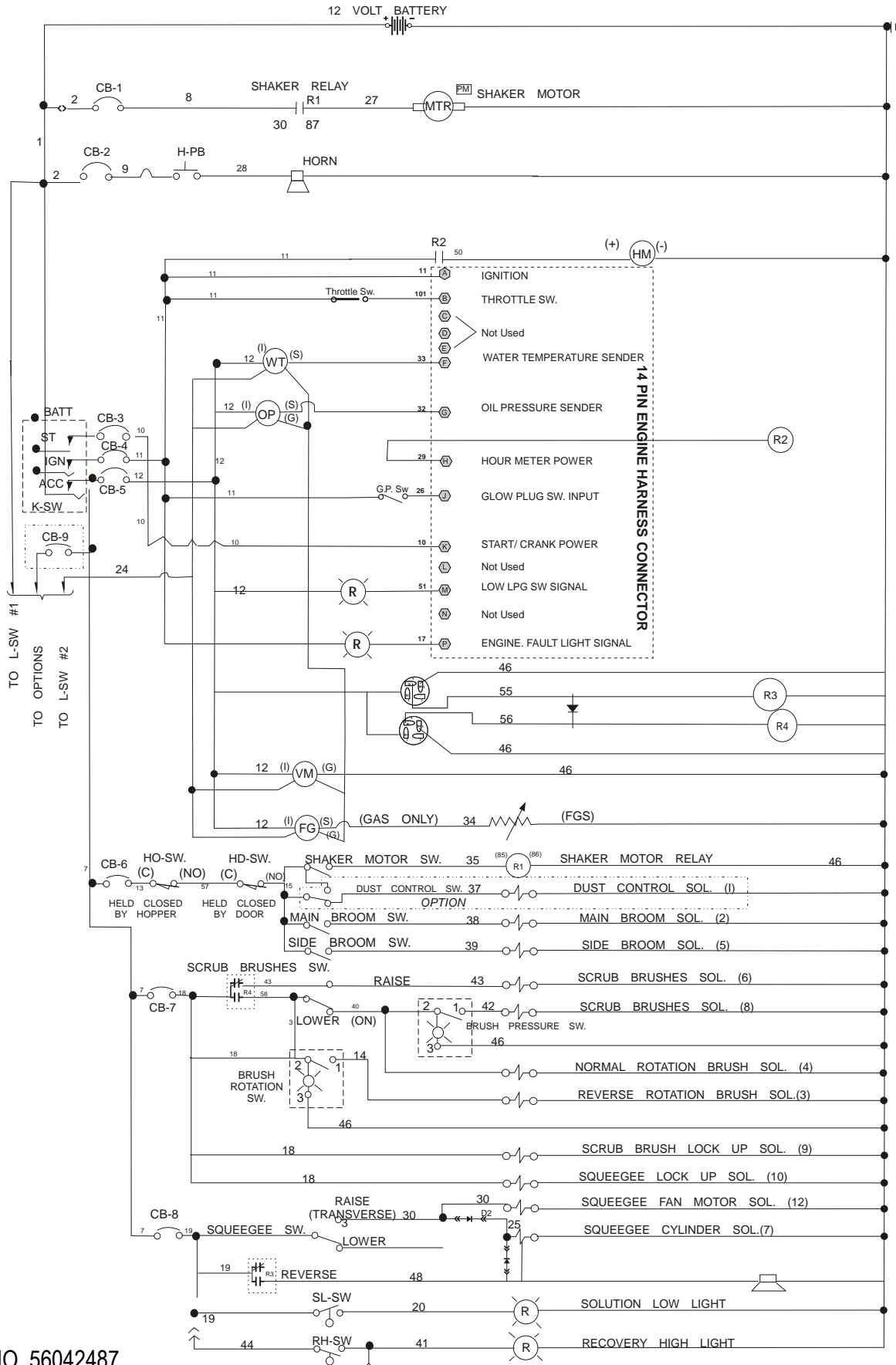
NOTE: THESE (3) WIRES MUST EXIT MAIN HARNESS IN THE MIDDLE OF THE OPENING FOR LIGHT OPTIONS FOR THE REST OF THE HARNESS TO FIT

Item	Ref. No.	Qty	Description
1	7-82-00017	Ref.	Switch, Float (Solution Low)
2	7-82-00021	Ref.	Switch, Float (Rec. High)
3	0875-008	Ref.	Battery (Gas/LP Only)
	0875-057	Ref.	Battery (Diesel Only)
4	8-09-01083	1	Bushing, Connector (Liquid Tight)
5	2-00-05171	Ref.	Boot, Protective (Red)
6	2-00-00232	Ref.	Screw, 3/8-16 x .75 HHC
7	8-32-09013	Ref.	Horn
8	7-90-07515	Ref.	Cable, Battery (Negative)(Gas/LP)
	7-90-07262	Ref.	Cable, Battery (Negative)(Diesel)
9	2-00-04952	1	Boot, Protective (Red)
10	2-00-04937	1	Tie, Cable
11	0795-187	1	Harness, Machine
12	2-00-03060	Ref.	Screw, #10-24 x .25 THMS
13	7-13-07096	33	Clamp, Adjustable
14	7-90-07514	Ref.	Cable, Battery (Positive)(Gas/LP)
	7-90-07280	Ref.	Cable, Battery (Positive)(Diesel)
15	0880-705	Ref.	Motor, Shaker
16	8-09-01081	1	Bushing, Snap
17	2-00-05173	Ref.	Boot, Protective (Black)
18	8-90-07433	1	Wire Assembly, Hopper (HO - WA)
19	2-00-04551	2	Terminal, .156 Male Bullet
20	2-00-04602	3	Clamp
21	2-00-03061	Ref.	Screw, #10-24 x .50 RHM
22	2-00-04345	30	Ty-Rap
23	2-00-00056	Ref.	Screw, #10-24 x .75 THM
24	2-00-03829	Ref.	Lock Washer, 3/8 Int./Ext.
25	2-00-02360	Ref.	Nut, 3/8-16 Hex
26	2-00-00519	5	Lock Washer, #10
27	2-00-00460	Ref.	Flat Washer, #10
28	0875-087	1	Diode Assembly (D2)
29	2-00-00183	2	Screw, 1/4 - 20 x .75 THM
30	2-00-00518	2	Lock Washer, 1/4 ID Helical Spring
31	2-00-00594	2	Nut, 1/4-20 Hex
32	8-90-07328	Ref.	Cable, Ground
33	2-00-00498	2	Lock Washer, 1/4 Ext.
34	2-00-00605	5	Nut, #10-24
35	0795-164	1	Harness, Hopper
36	2-00-00402	2	Flat Washer, 3/8
37#			DELETED
38	2-00-03878	1	Grommet

# = Revised or new since last update





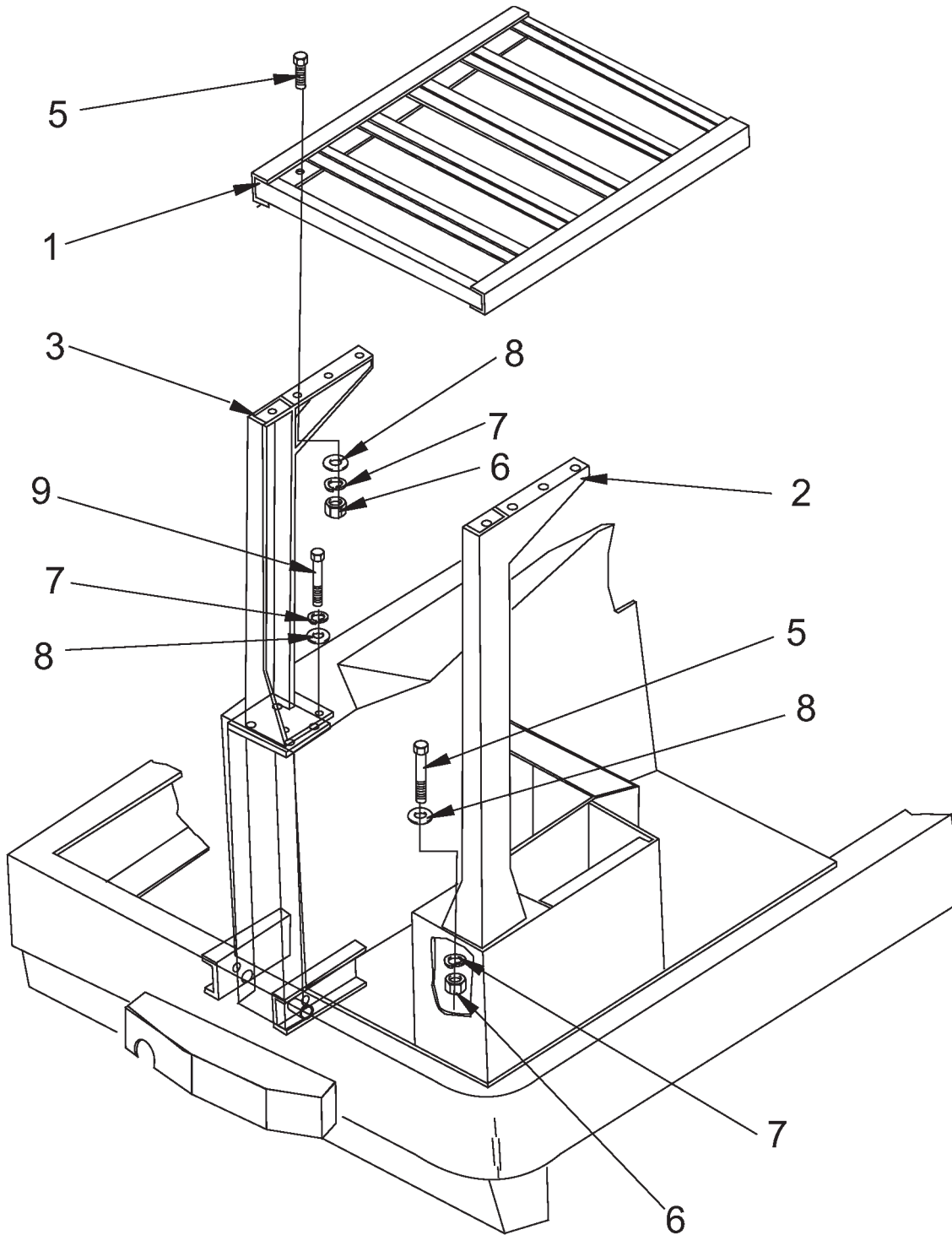


08-4	<b>OPTIONS</b>		
08-6	<b>7765</b>		<b>135</b>

Item	Ref. No.	Qty	Description
			<b>Factory Installed Option</b>
*	0780-377	1	Back Up Alarm
*#	56514864	1	ESP Option
*	0780-443	1	Seat Belt
*	0780-380	1	Fire Extinguisher
*	56514874	1	Overhead Guard
*	0780-378	1	Spray & Vac Wand
*	0780-387	1	Side Broom (for MD Models)
*	0780-382	1	Squeegee Wand
*	0780-109	1	Suspension seat with RH Arm Rest
*	56514878	1	Stainless Steel VD Hopper (in lieu of Standard)
*	56514881	1	Stainless Steel Low Dump Hopper (in lieu of standard)
*	56514880	1	125 Gal Solution & Recovery tanks (Manual Dump models only in lieu of standard)
*	56514879	1	Auxillary LP Tank Mount w/o Tank
*#	56514862	1	Dual Feed LP Tanks (w/o auxillary tank)
*	0780-723	1	Extended 4 corner roller bumpers
*	0780-724	1	Bumper Frame Wrap Around (poly)
*#	56514869	1	Curb Broom Light
*	56514883	1	Amber Flashing Light on OHG (must order 0780-379)
*	56514876	1	Amber Flashing Light without OHG
*	56514882	1	Amber Rotating Light on OHG (must order 0780-379)
*	56514875	1	Amber Rotating Light without OHG
*	56514884	1	Amber Strobe Light on OHG (must order 0780-379)
*	56514877	1	Amber Strobe Light without OHG
*#	56514868	1	Head, Tail and Instrument Lights
*#	56514867	1	Head, Tail, Instrument and Brake Lights
*#	56514866	1	Head, Tail, Instrument, Brake Lights, Turn Signals and 4-Way Flashers
*	0780-236	1	Recovery Tank Debris Basket
*	0780-381	1	Wet Sweep Bypass (not available on manual dump)
*	0780-710	1	High Torque Drive Wheel Motor (in lieu of standard)
*	0780-726	1	Timed filter shaker
*	0780-728	1	Clogged filter indicator
*	0780-727	1	Hopper High Temp Shutdown
*	0780-729	1	Solution Off in Neutral
*#	0780-098	1	Urethane Front Tires
*#	0780-711	1	Tire, Rear Wheel Non Marking
*#	7-89-08047	1	Tire, Rear Wheel Extra Traction
*#	7-85-06008	1	Tire, Rear Wheel (Hvy Duty Option)
*#	56504483	1	Tire, Rear Wheel (Directional) <b>TSBUS2008-1006</b>

\* = Optional, Not Included

# = Revised or new since last update





08-4

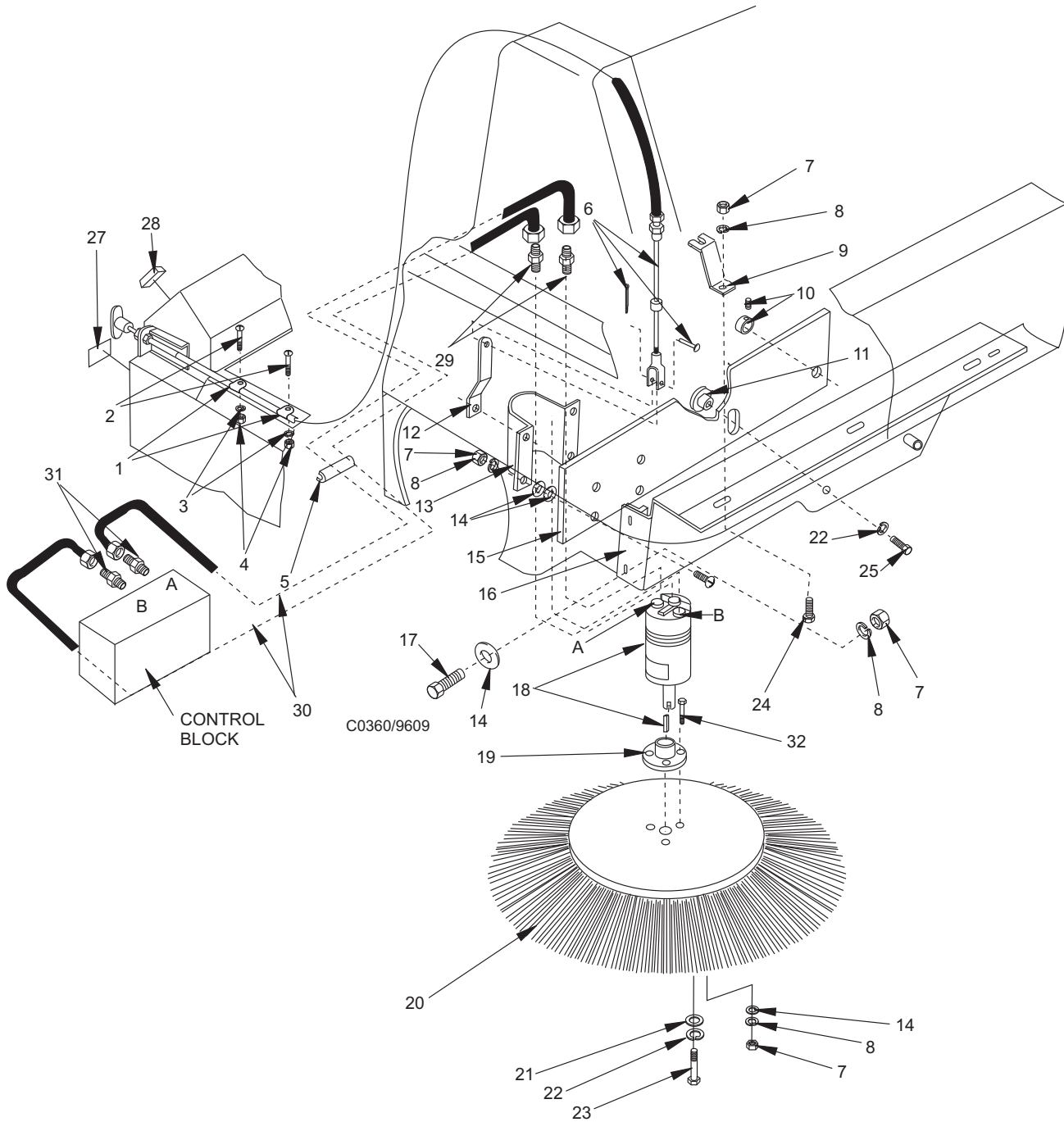
**OVERHEAD GUARD OPTION**

08-6

**7765****137**

Item	Ref. No.	Qty	Description
	56514874		Overhead Guard Option
1	56514900	1	Guard (Weldment)
2	56514901	1	Support (Weldment)
3	56514902	1	Support-(Weldment)
4#			DELETED
5	2-00-00239	12	Screw, 1/2 - 13 x 1.000 HHC
6	2-00-02352	12	Nut, Hex 1/2 - 13 x .875 x .484
7	2-00-02312	16	Lock Washer, Helical Spring 1/2 Med
8	2-00-01444	16	Flat Washer, .750 x .520 x .062
9	2-00-00240	4	Screw, 1/2 - 13 x 1.250 HHC

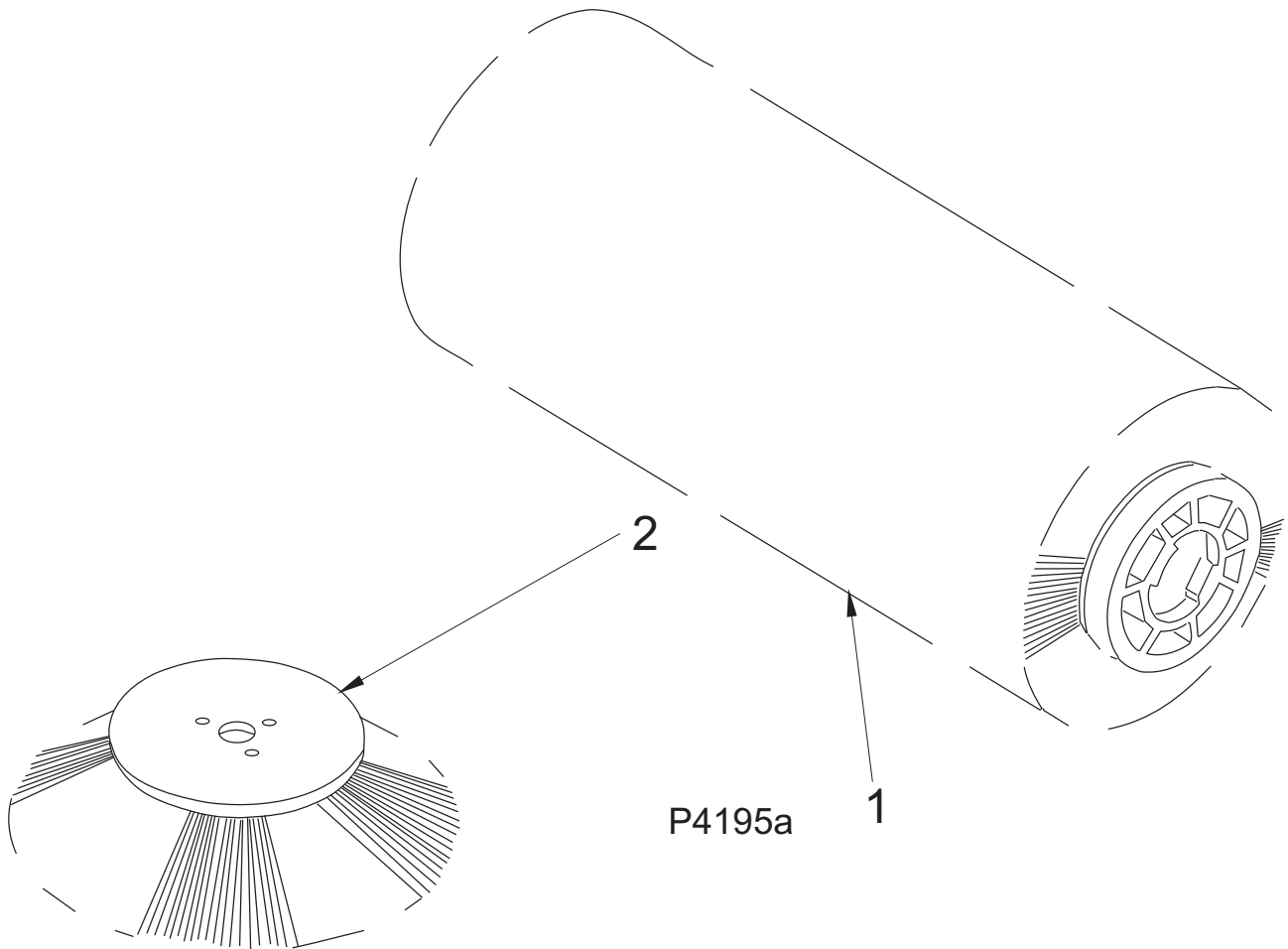
# = Revised or new since last update



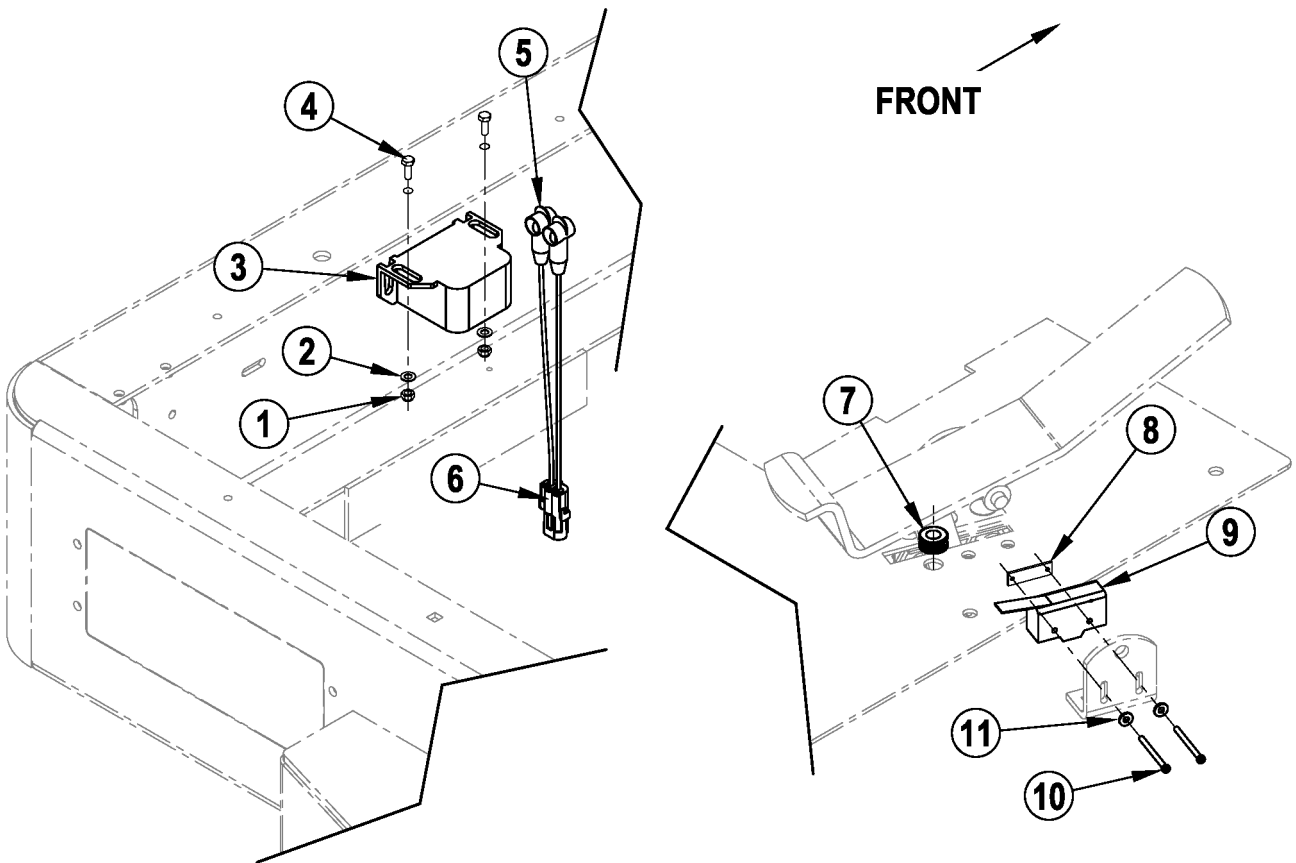
Item	Ref. No.	Qty	Description
	0780-387		
1	2-00-04210	2	Clamp
2	2-00-00049	2	Screw, 10-24 x .50
3	2-00-00512	2	Lock Washer, 10
4	2-00-00605	2	Nut, Hex 10-24
5	8-21-04030	1	Edging
6	7-10-00029	1	Cable
7	2-00-00585	11	Nut, Hex 5/16-18
8	2-00-00530	11	Lock Washer, Helical Spring 5/16
9	7-08-00705	1	Cable Bracket
10	8-15-01003	1	Collar, 3/4 ID w/setscrew
11	7-09-01134	1	Bushing, 3/8-16 Thd.
12	7-79-00060	1	Lift Cable Strap
13	7-08-00841	1	Bracket Side Broom
14	2-00-00409	5	Flat Washer, 5/16
15	7-03-04154	1	Side Broom Arm
16	7-08-00859	1	Side Broom Bracket
17	2-00-03029	3	Screw, 5/16-18 x 1.0 HSFHC
18	0885-061	1	Hydraulic Broom Drive Motor, w/Key
19	7-25-06038	1	Adapter Flange
20	8-08-03107	1	Side Broom
21	2-00-00447	1	Flat Washer 1.25 x .25
22	2-00-00518	4	Lock Washer, 1/4
23	2-00-03537	1	Screw, 1/4-28 x 2.0 HHC
24	2-00-03564	5	Screw, 5/16-18 x 1.0
25	2-00-02310	1	Lock Washer, Helical Spring 3/8
26	2-00-00232	1	Screw, 3/8-16 x .75- HHC
27	7-18-00215	1	Side Broom Label
28	8-82-00044	1	Switch
29	2-00-04918	2	Fitting
30	8-33-02216	2	Hose, ORS-4-Str. Ends
31	2-00-04895	2	Fitting
32	2-00-00218	3	Screw, 5/16-18 x 2.0 HHC
33	2-00-05350	3	Screw, 1/4-28 x .625 HHC

140

7765

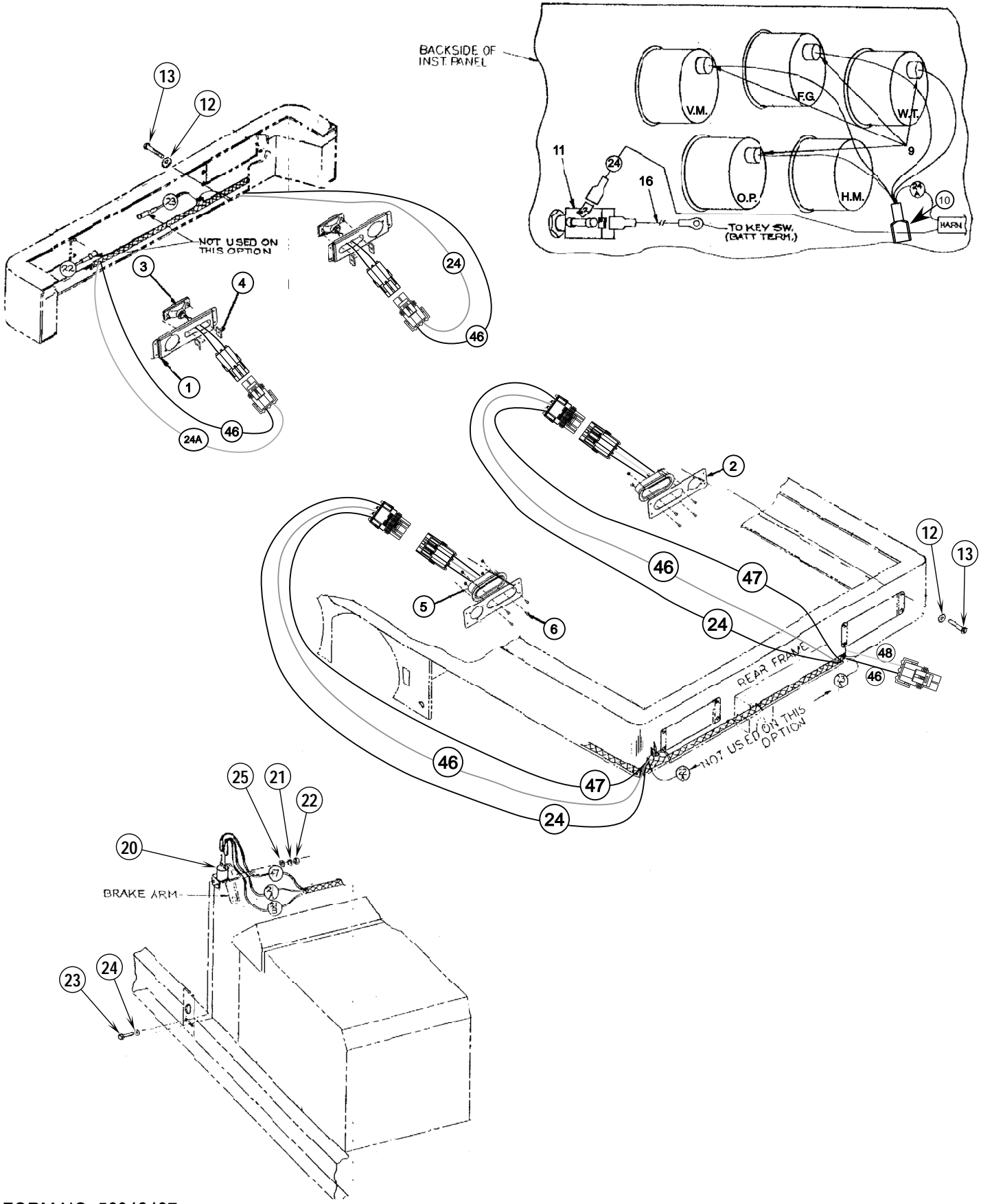


Item	Ref. No.	Qty	Description
1	8-08-03180	1	Proex and Wire
1	8-08-03190	1	Proex
1	8-08-03191	1	Natural Fiber and Wire
1	8-08-03193	1	Nylon
1	8-08-03200	1	Polypro Prolene
1	8-08-03196	1	Nylon, High Density
1	8-08-03198	1	Fiber and Wire, High Density
2	8-08-03107	1	Poly Prolene
2	8-08-03177	1	Nylon



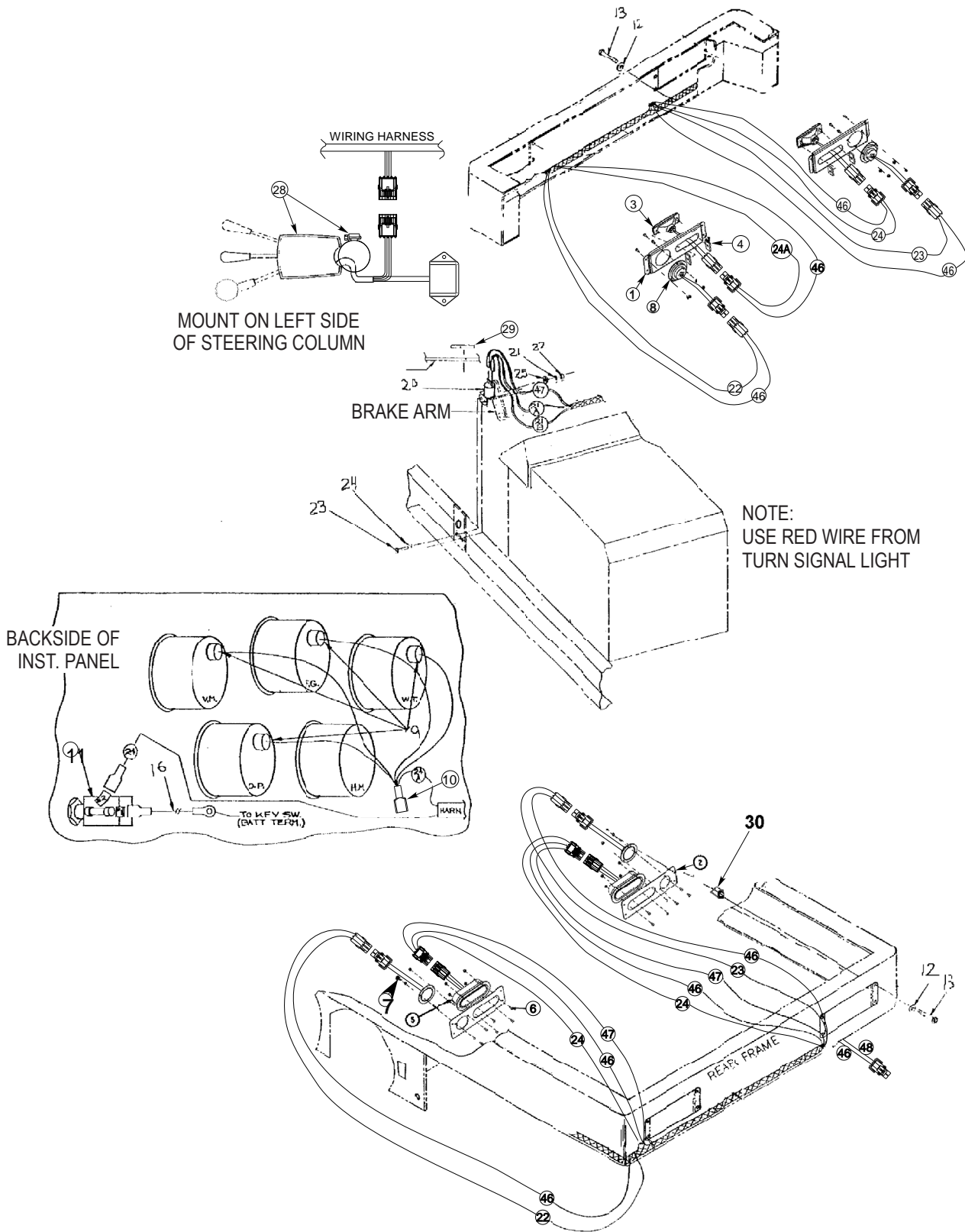
Item	Ref. No.	Qty	Description
	0780-377		Back-Up Alarm Option
1#	56002708	2	Nut, Hex Nyl Loc 1/4-20
2#	56002098	2	Wsh, Fit SAE 1/4
3#	56409232	1	Back-Up Alarm
4#	56002155	2	Scr, Hex 1/4-20 x .75
5#	56409538	2	Terminal Insulator
6#	56409495	1	Wire Assy, Pigtail
7#	2-00-00491	1	Grommet
8#	56376015	1	Nut Plate
9#	7-82-00008	1	Switch
10#	2-00-05060	2	Screw-PH. RHM 6-32 x 1.25 ZN
11#	2-00-00455	2	Wshr-Flat .375x.156x.047 Stl.

# = Revised or new since last update



Item	Ref. No.	Qty	Description
#	56514867		Headlights/Taillights/Brake Lights/Instrument Lights (items 1-26)
#	56514868		Headlights/Taillights/Instrument Lights (items 1-16, 26)
1#	56514886	2	Bracket, Front Light
2#	56514885	2	Bracket, Rear Light
3	7-40-05046	1	Light, 12VDC, 55W Headlight
4	7-08-01174	4	Bracket, Headlight Mount
5	7-40-05047	2	Taillight
6	2-00-00049	8	Scw - RHM 10-24 x .50 Zn Pl
7	2-00-01246	8	Nut - #10-24 Elastic Stop Nut
8			Intentionally Omitted
9	8-40-05030	4	Instrument Light and Lead
10	2-00-05183	1	Spade Terminal, Female
11	8-82-00027	1	Light Switch, Push/Pull
12	2-00-00501	16	Washer - 1/4 Lock Int
13	2-00-04876	16	Screw, 1/4 - 20 x .500 BHS
14	2-00-04578	6	Male Bullet Plug
15			Intentionally Omitted
16	7-90-07229	1	Wire
17	8-64-00008	1	Circuit Breaker (15 Amp)
18	8-11-00044	1	Boot
19	8-11-00015	1	Terminal
20	8-82-00039	1	Switch-Brake
21	2-00-00519	2	Lockwasher - 10-24
22	2-00-00605	2	Nut, 10-24 Hex
23	2-00-00006	2	Screw, 10-24 Hex
24	2-00-00512	2	Lockwasher, #10 Int
25	2-00-00455	2	Washer, Flat, #10
26	2-00-05261	16	Insert, 1/4-20

# = Revised or new since last update

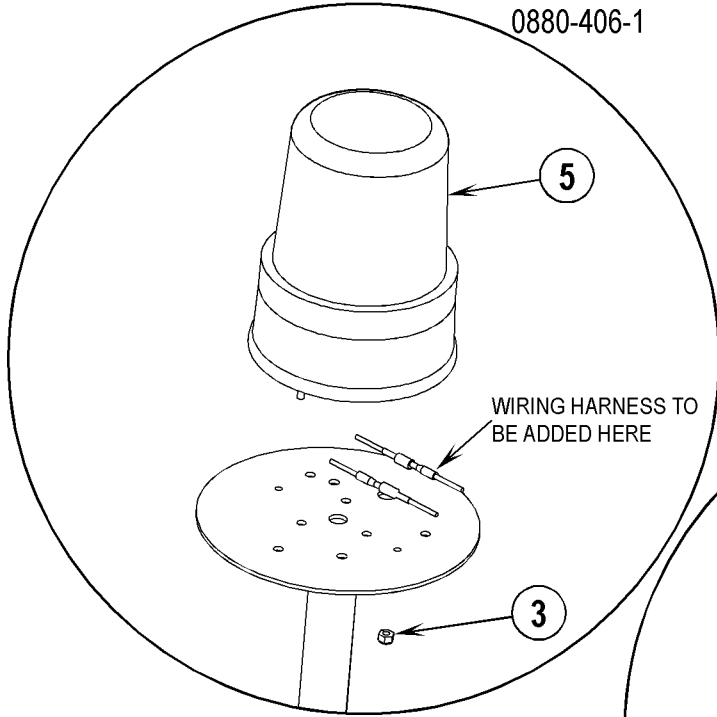




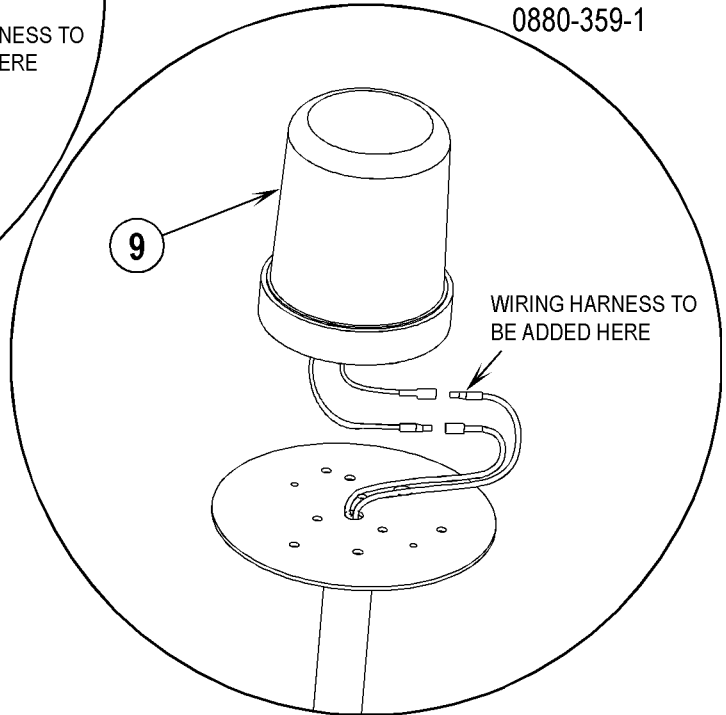
Item	Ref. No.	Qty	Description
#	56514866		Headlights/Taillights/Instrument Lights/Brake Lights & Turn Signals
1#	56514886	2	Bracket, Front Light
2#	56514885	2	Bracket, Rear Light
3	7-40-05046	2	Head Light, 12VDC/55W
4	7-08-01174	2	Bracket, Head Light Mount
5	7-40-05047	2	Light, Red Tail/Brake/Turn
6	2-00-00049	20	Screw, 10-24 x .50 RHM
7	2-00-01246	20	Nut, 10-24 Elastic Stop
8	7-40-05048	4	Light, Amber Side Marker
9	8-40-05030	4	Instrument Light and Lead
10			Intentionally Omitted
11	8-82-00027	1	Light Switch, Push/Pull
12	2-00-00501	16	Lock Washer, 1/4 Int.
13	2-00-04876	16	Screw, 1/4 - 20 x .50 BHS
14	2-00-04578	11	Bullet Plug (Male)
15			Intentionally Omitted
16	7-90-07229	1	Wire
17			Intentionally Omitted
18			Intentionally Omitted
19			Intentionally Omitted
20	8-82-00039	1	Switch, Brake
21	2-00-00519	2	Lock Washer, 10-24
22	2-00-00605	2	Nut, Hex MS 1/4 - 20 x .437 x .187
23	2-00-00006	2	Screw, 10-24 Hex
24	2-00-00512	2	Lock Washer, 10 Int.
25	2-00-00455	2	Flat Washer 10
26			Intentionally Omitted
27			Intentionally Omitted
28	8-82-00025	1	Turn Signal Switch
29	2-14-03197	1	Rubber Washer, 1.000 x .187 x .125
30	2-00-05261	16	Insert
31			Intentionally Omitted
32	2-00-05183	1	Spade Terminal, Female

# = Revised or new since last update

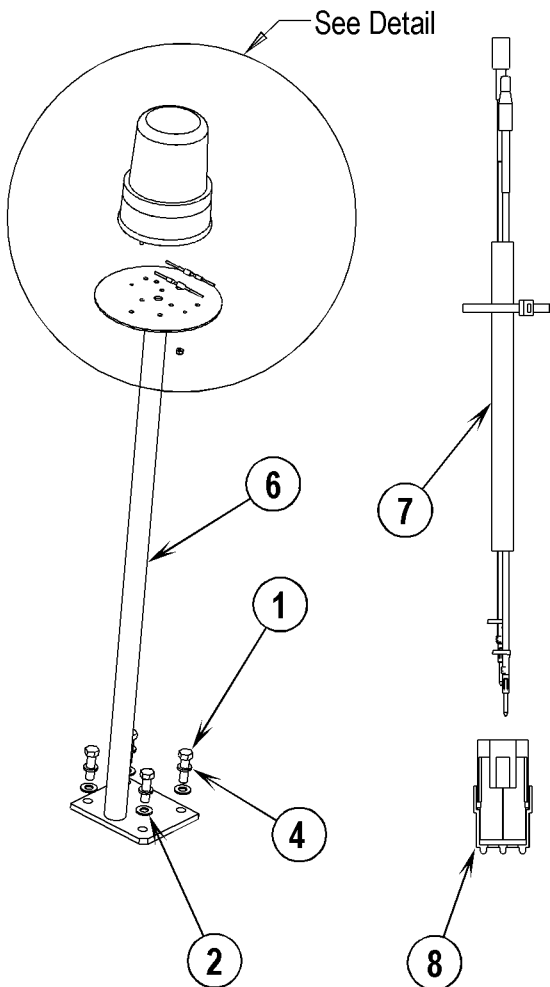
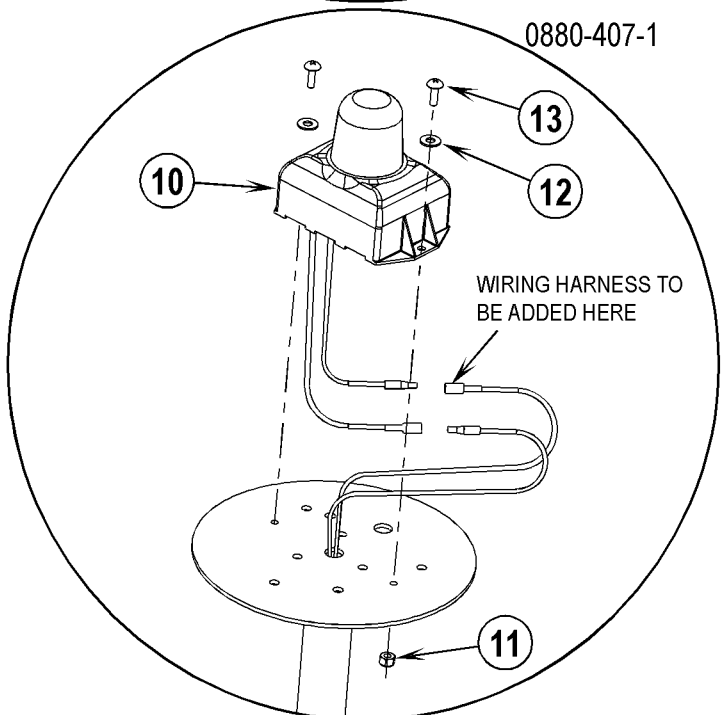
0880-406-1



0880-359-1



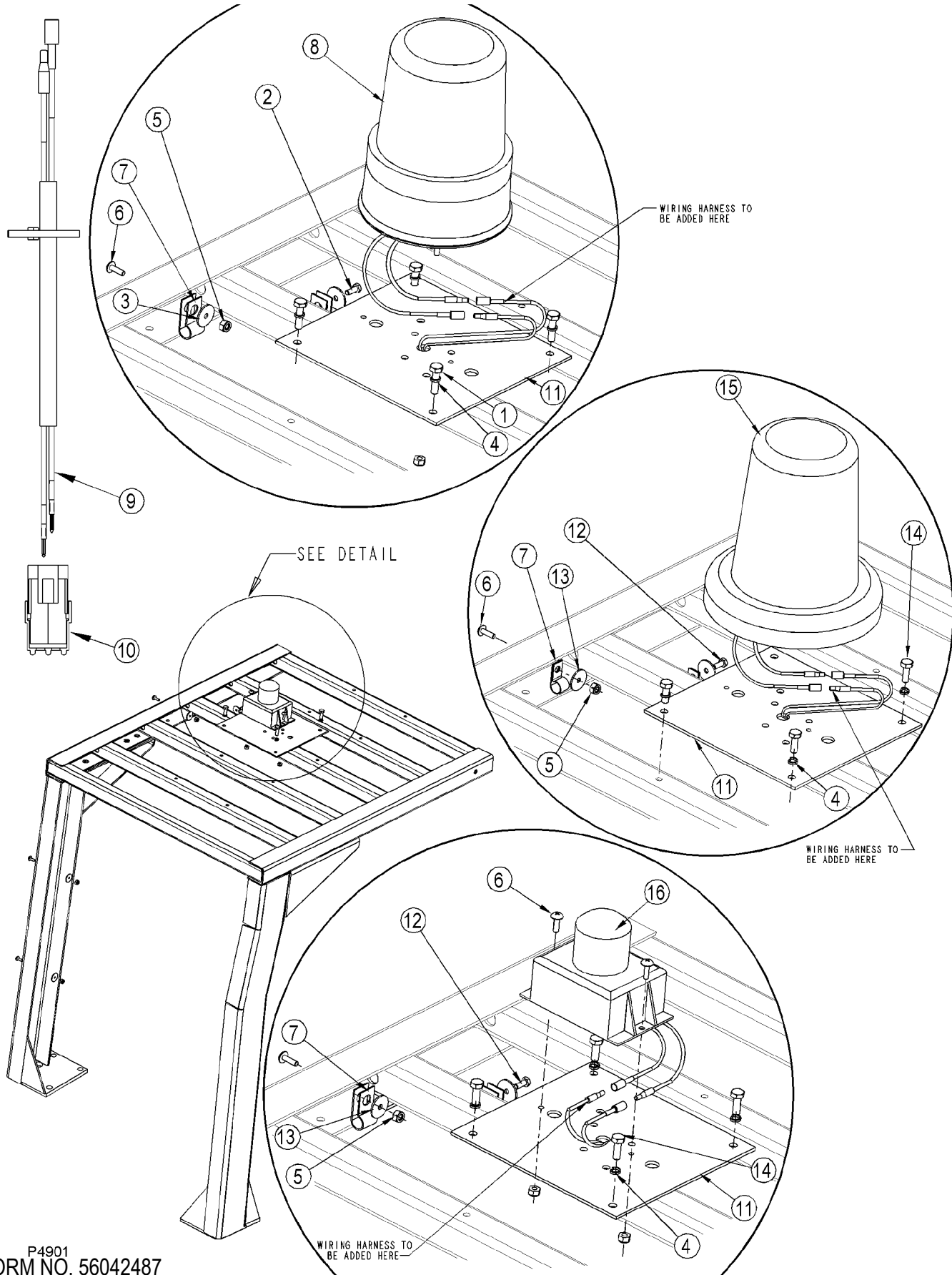
0880-407-1



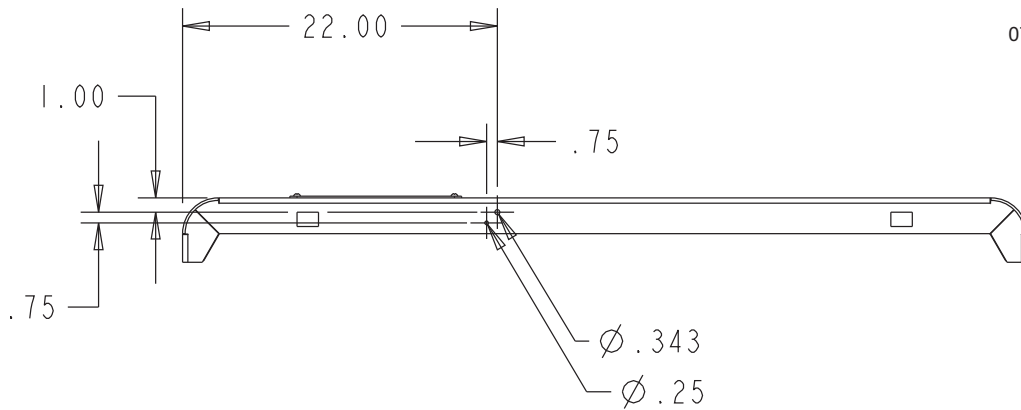
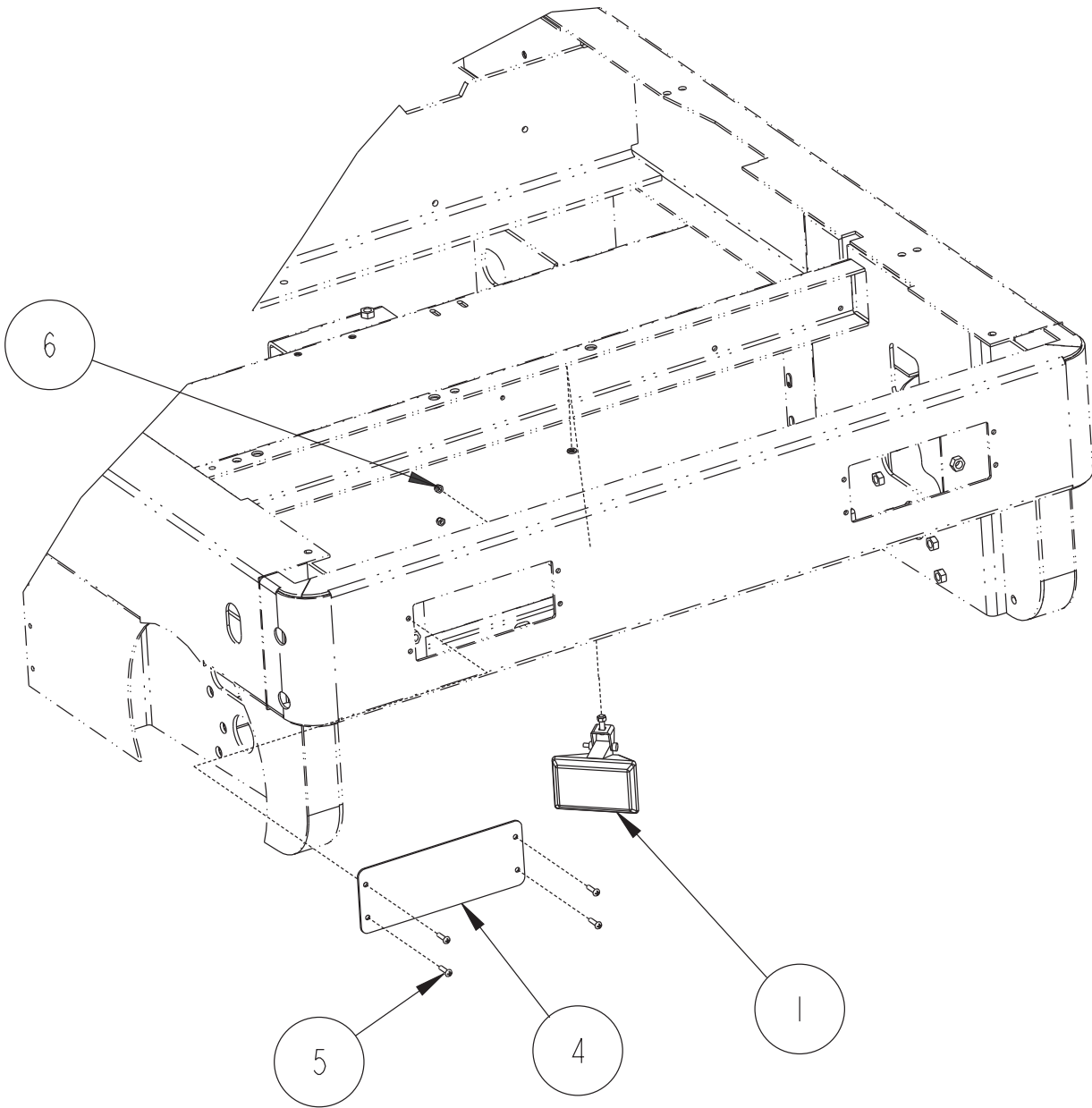
Item	Ref. No.	Qty	Description
	56514875		Rotating Light
1	2-00-00241	4	Bolt 1/2-13 X 1-3/4 LG
2	2-00-00405	4	Flat Washer, 1.063 x .531 x .094
3	2-00-01246	2	Nut-10-24 Elastic Stop Nut
4	2-00-02312	4	Washer, 1/2" Lock
5	8-40-05039	1	Warning Light, Amber Revolving
6	56514904	1	Pole, Light
7	56109254	1	Harness, Warning Light
8	56462360	1	Connector, 2-Way

Item	Ref. No.	Qty	Description
	56514876		Flashing Light
1	2-00-00241	4	Bolt 1/2-13 X 1-3/4 Lg
2	2-00-00405	4	Flat Washer, 1.063 x .531 x .094
4	2-00-02312	4	Washer, 1/2" Lock
6	56514904	1	Pole, Light
7	56109254	1	Harness, Warning Light
8	56462360	1	Connector, 2-Way
9	8-40-05041	1	Light, Emergency, Amber

Item	Ref. No.	Qty	Description
	56514877		Strobe Light
1	2-00-00241	4	Bolt 1/2-13 X 1-3/4 LG
2	2-00-00405	4	Flat Washer, 1.063 x .531 x .094
4	2-00-02312	4	Washer, 1/2" Lock
6	56514904	1	Pole, Light
7	56109254	1	Harness, Warning Light
8	56462360	1	Connector, 2-Way
10	8-40-05036	1	Strobe - Amber (12 to 80 VDC)
11	56002836	2	Nut, Hex Nyl Loc SS 10-24
12	56002919	2	Wsh, Flt STD SS 10
13	2-00-03062	2	Screw, 10-24 x 5/8 LG



Item	Ref. No.	Qty	Description
	56514882		Rotating Light
1	56002883	4	Scr, Hex SS 1/4-20 x 1.00
2	56009039	1	Scr, Hex Thd Form 10-24 X .50
3	56009096	4	Wsh, Flt .193 X .875 X .060
4	2-00-00548	4	1/4" Lock Washer
5	2-00-01246	5	Nut-10-24 Elastic Stop Nut
6	2-00-03062	3	Screw, 10-24 X 5/8 LG
7	2-00-04602	4	Clamp
8	8-40-05039	1	Warning Light, Amber Revolving
9	56109253	1	Harness, Warning Light
10	56462360	1	Connector, 2-Way
11	56514906	1	Plate, Flasher
	56514883		Flashing Light
4	2-00-00548	4	1/4" Lock Washer
5	2-00-01246	3	Nut-10-24 Elastic Stop Nut
6	2-00-03062	3	Screw, 10-24 X 5/8 LG
7	2-00-04602	4	Clamp
9	56109253	1	Harness, Warning Light
10	56462360	1	Connector, 2-Way
11	56514906	1	Plate, Flasher
12	56009039	1	Scr, Hex Thd Form 10-24 X .50
13	56009096	4	Wsh, Flt .193 X .875 X .060
14	2-00-00221	4	Bolt-Hex Head, Finished, 1/4-20x3/4 LG
15	8-40-05041	1	Light, Emergency, Amber
	56514884		Strobe Light
4	2-00-00548	4	1/4" Lock Washer
5	2-00-01246	5	Nut-10-24 Elastic Stop Nut
6	2-00-03062	5	Screw, 10-24 X 5/8 LG
7	2-00-04602	4	Clamp
9	56109253	1	Harness, Warning Light
10	56462360	1	Connector, 2-Way
11	56514906	1	Plate, Flasher
12	56009039	1	Scr, Hex Thd Form 10-24 X .50
13	56009096	4	Wsh, Flt .193 X .875 X .060
14	2-00-00221	4	Bolt-Hex Head, Finished, 1/4-20x3/4 LG
16	8-40-05036	1	Strobe-Amber (12 to 80 VDC)

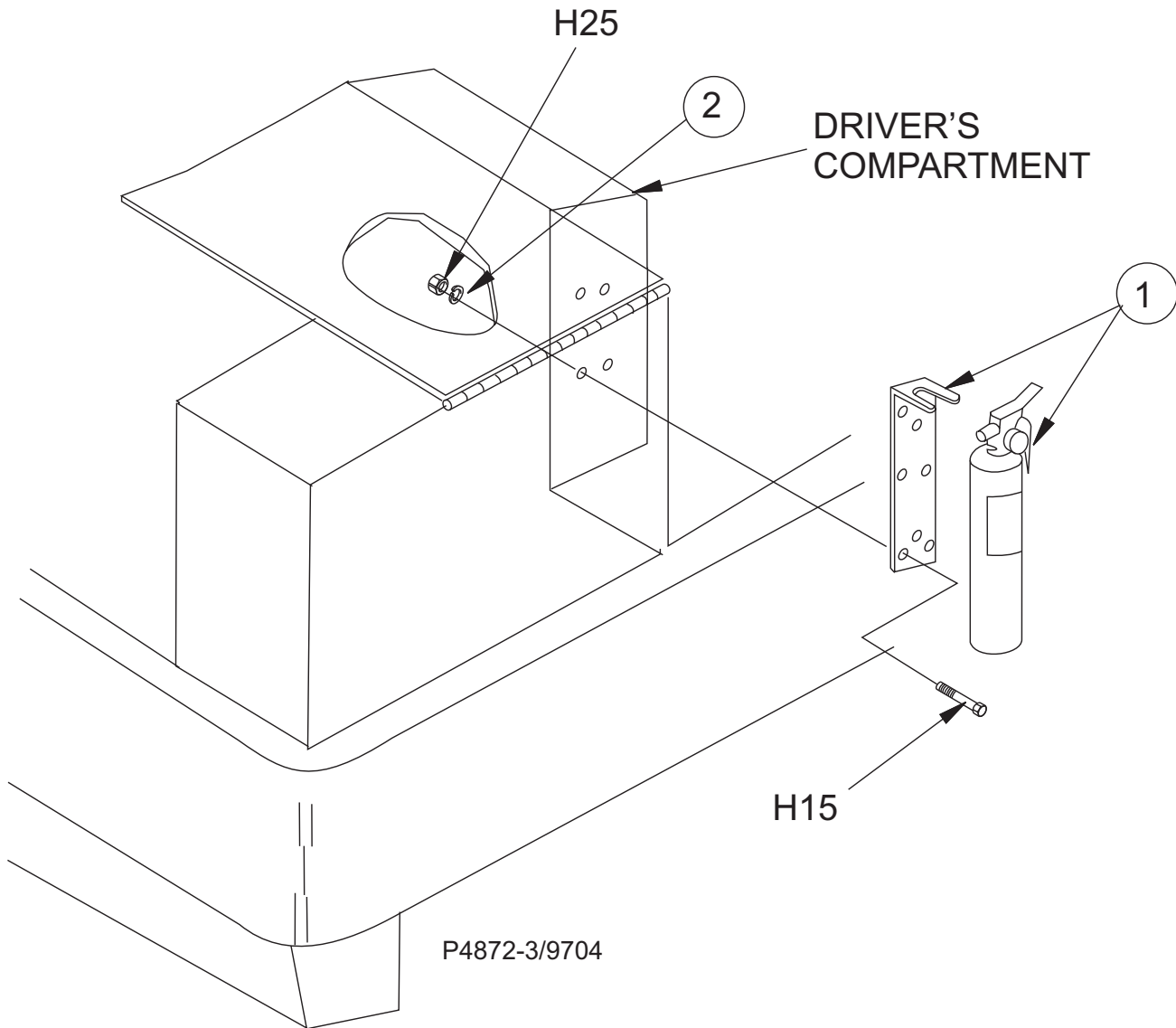


0780-725

08-4	<b>CURB LIGHT OPTION</b>		
08-6	<b>7765</b>		<b>151</b>

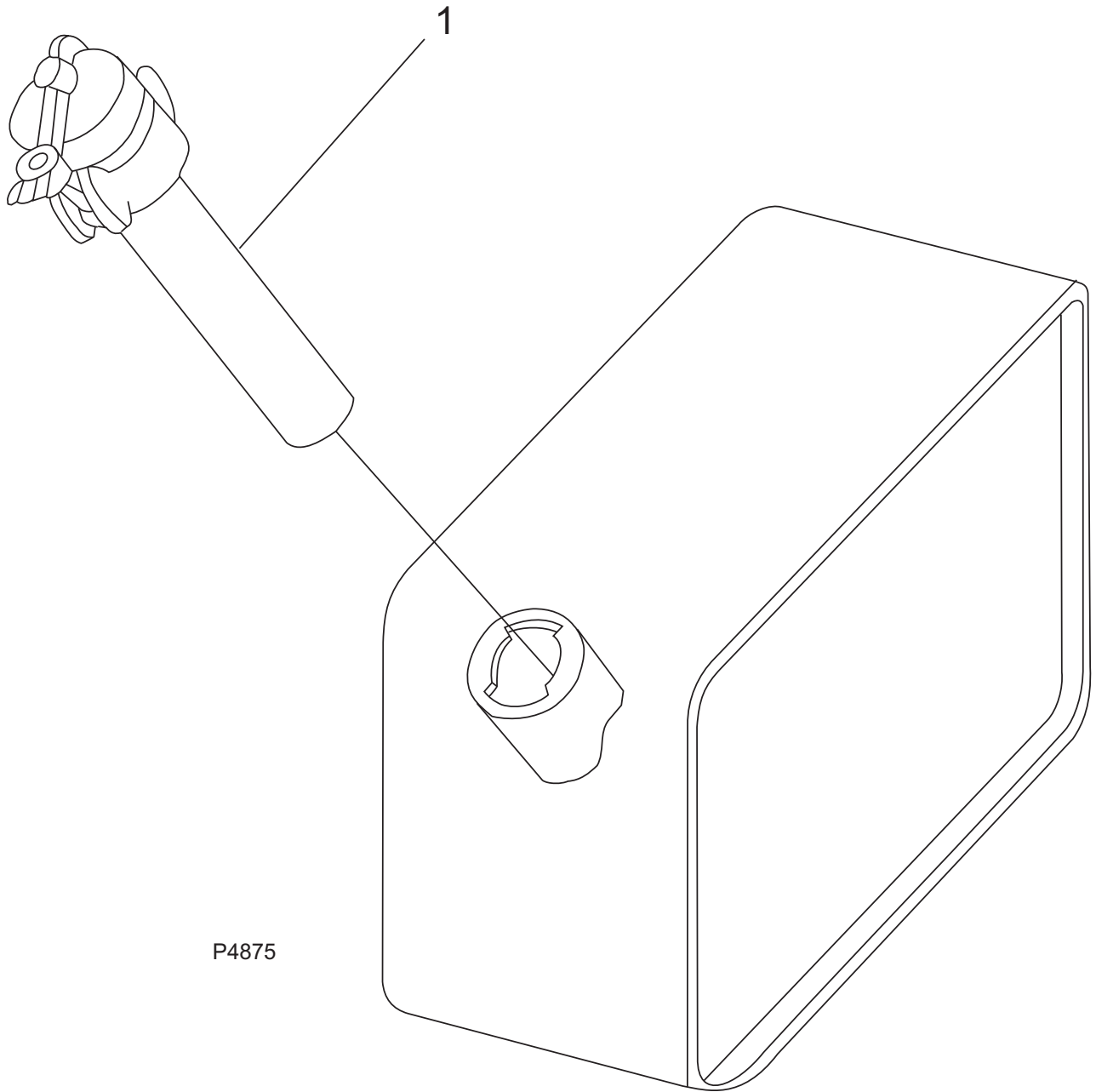
Item	Ref. No.	Qty	Description
#	56514869		Curb Light Option
1	8-40-05049	1	Light
2	2-00-04578	1	Male Terminal, .156 (not shown)
3	2-00-01128	1	Butt Splice (not shown)
4#	56514898	1	Cover, Light
5	2-00-00081	4	Screw, 1/4-20 x 1.0 Phillips
6	2-00-00641	4	Nut, 1/4-20 Fiber Insert

# = Revised or new since last update

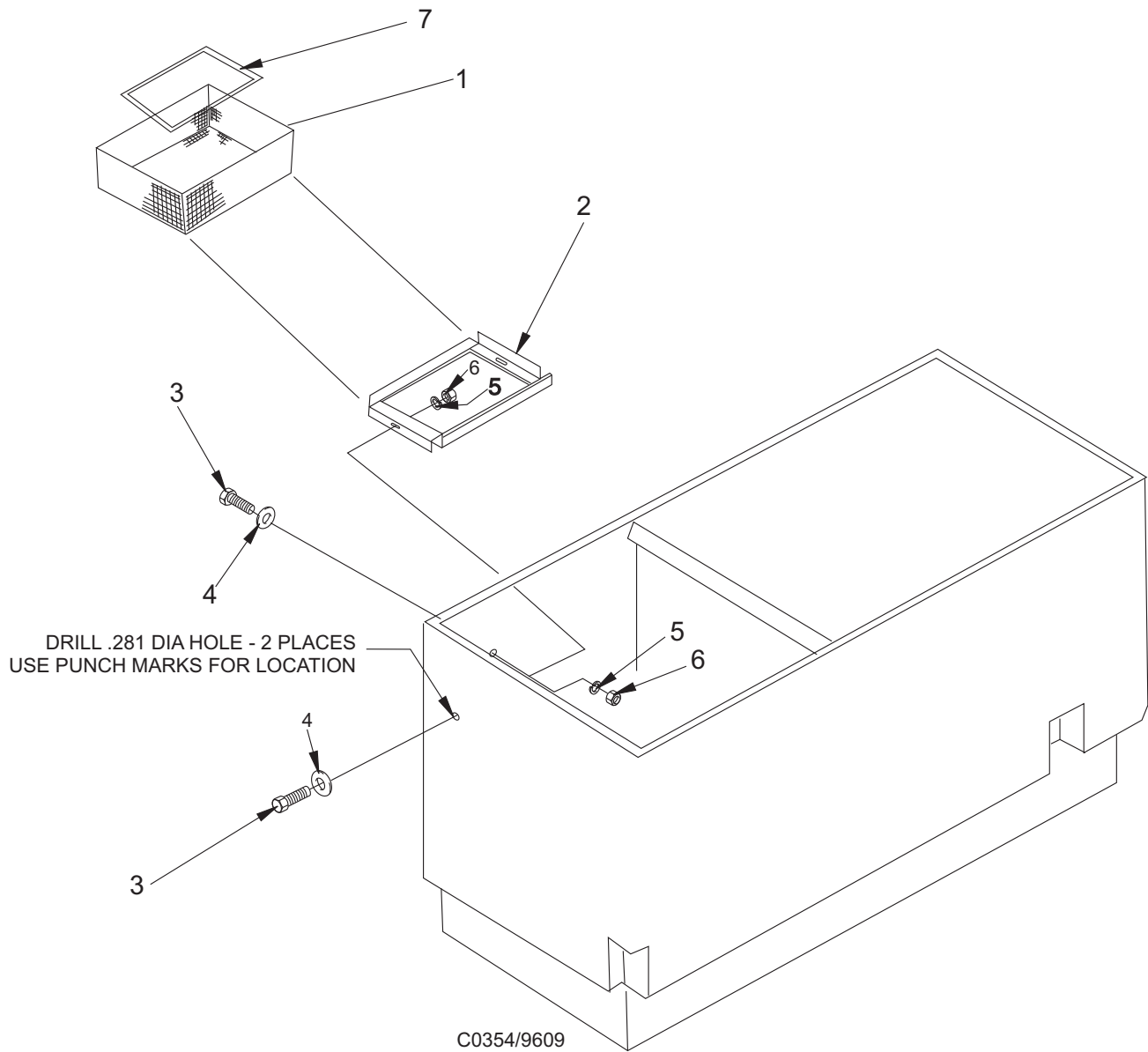


Item	Ref. No.	Qty	Description
	0780-380		Fire Extinguisher Option
1	8-83-04033	1	Fire Extinguisher
2	2-00-00221	4	Screw, 1/4 - 20 x .750 HHC
3	980657	4	Lock Washer, 1/4 Split
4	2-00-00594	4	Nut, Hex 1/4 - 20 x .437 x .218

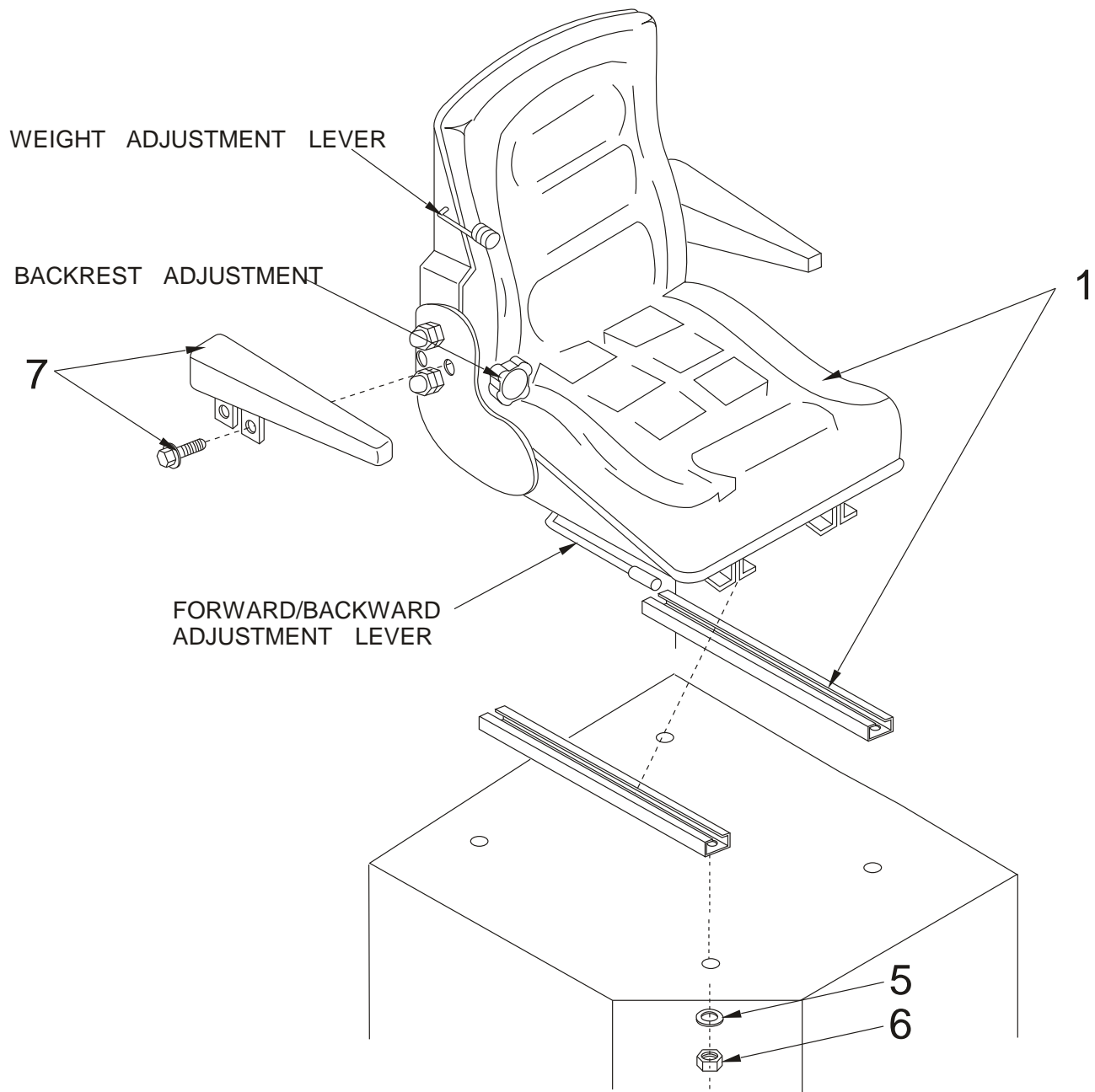




Item	Ref. No.	Qty	Description
1	8-11-00024	1	Protecto-Seal Gas Cap

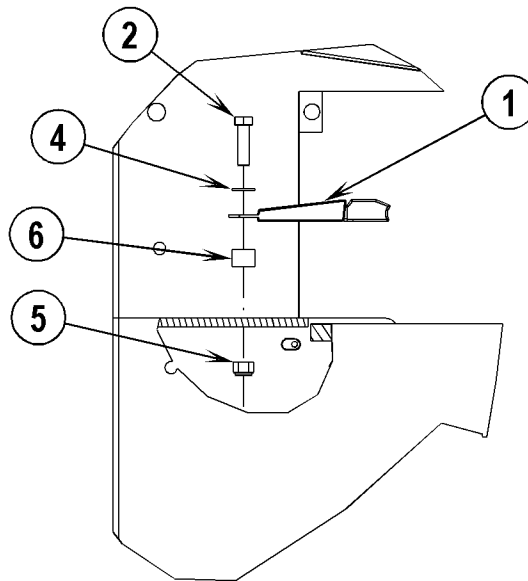
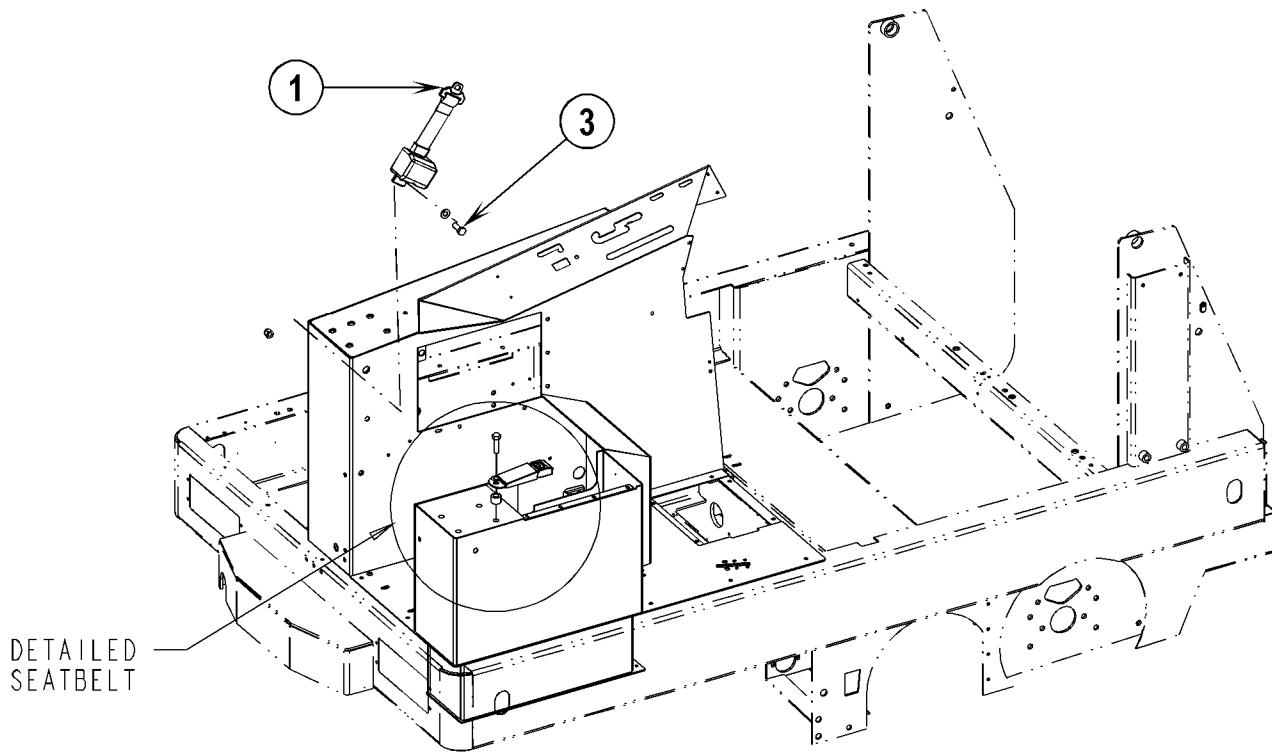


Item	Ref. No.	Qty	Description
	0780-236		Debris Basket Option
1	7-06-00001	1	Debris Basket
2	7-27-07156	1	Debris Basket Frame
3	2-00-04685	2	Screw, 1/4-20 x .750 HHC
4	2-00-04590	2	Sealing Washer, 1/4
5	2-00-04686	2	Lock Washer, 1/4
6	2-00-04688	2	Nut, Hex 1/4-20
7	3-73-00024	3.75 ft.	Edging



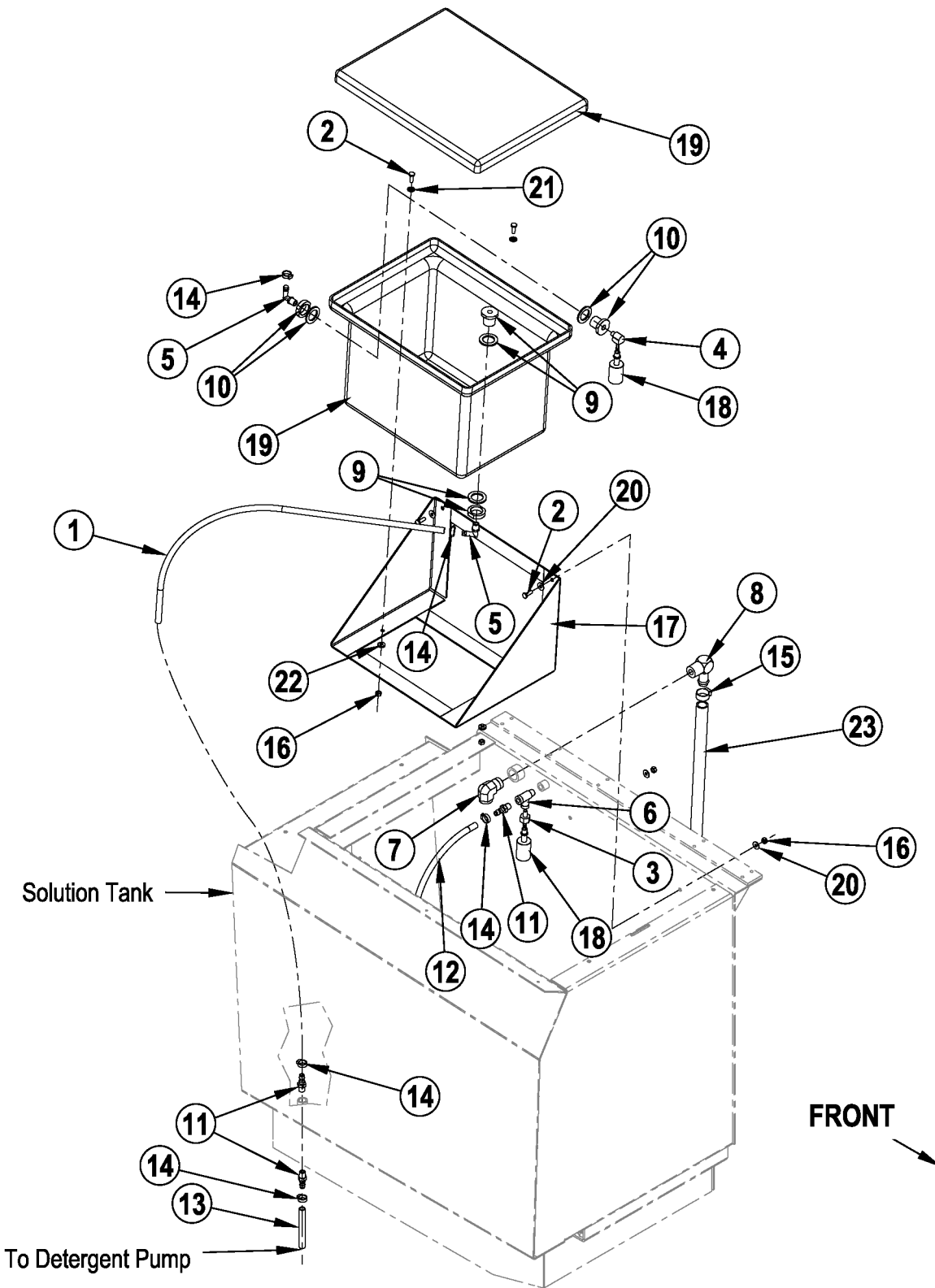
Item	Ref. No.	Qty	Description
	0780-109		Suspension Seat Option
1	8-69-00019	1	Seat without armrests
2#			DELETED
3#			DELETED
4#			DELETED
5	2-00-02322	4	Lock Washer 5/16
6	2-00-00644	4	Nut, 5/16-18 Lock
7	8-03-04320	1	Armrest Kit (Includes both Armrests)

# = Revised or new since last update



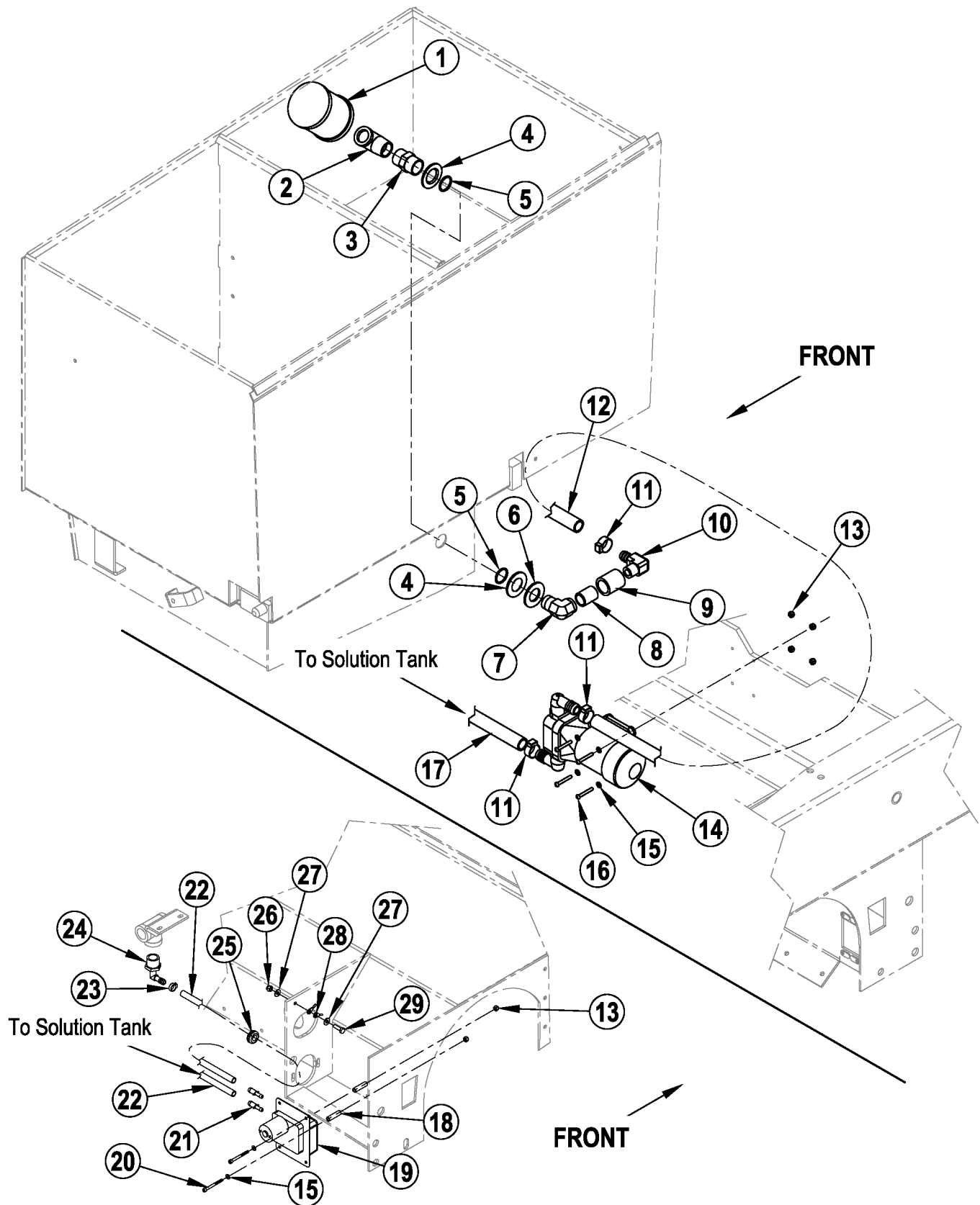
DETAIL SEATBELT

Item	Ref. No.	Qty	Description
	0780-443		Seat Belt Option for Standard Seat
1	56109301	1	Seat Belt 60"
2	2-00-00241	1	Bolt 1/2-13 x 1-3/4 LG
3	2-00-00240	1	Screw, 1/2-13 x 1.250 HHC
4	2-00-00405	2	Flat Washer, 1.063 x .531 x .094
5	2-00-04936	2	Locknut-Elastic, 1/2-13
6	7-75-01099	1	Spacer-For Idler Pulley



Item	Ref. No.	Qty	Description
#	56514864		ESP Option (Detergent and Solution Tank)
1#	7-87-02129	1	Hose
2#	2-00-04685	4	1/4-20 X 0.75" Hex Head Screw, Ss
3#	2-00-05465	1	Adapter, 1/4 Female X 1/8 Male
4#	2-00-05035	1	Fitting, 1/4 Npt X 1/8 Npt, Street Elbow, 90
5#	2-00-04654	2	Fitting, 1/4 Npt X 3/8 Hose Barb, 90
6#	2-00-04515	1	Fitting, 1/4 Npt, Running Tee
7#	2-00-05672	1	Fitting, 3/4" Npt Street Elbow, 90, Brass
8#	7-25-02038	1	Fitting, 3/4" Npt x 3/4" Hose Barb, 90
9#	2-00-05346	1	Fitting, Bulkhead ( Detergent Tank)
10#	7-25-02080	1	Fitting, Bulkhead (Detergent Float)
11#	2-74-00001	3	Fitting-Plastic
12#	7-87-02130	1	Tube-Detergent Feed
13#	7-87-02147	1	Tube-Detergent Feed
14#	7-13-07084	5	Hose Clamp
15#	2-00-03407	1	Hose Clamp- Witteck #10p
16#	2-00-04688	4	Nut - 1/4-20 Hex
17#	7-81-00187	1	Support, Detergent Tank
18#	7-82-00017	2	Switch, Liquid Level
19#	7-83-04162	1	Tank, Detergent
20#	2-00-04689	4	Washer, 11/16 Od X .260 Id X .050 Thk
21#	2-00-04590	2	Washer, Sealing
22#	2-00-04687	2	Washer-Lock, 1/4" Helical Spring
23#	7-33-02328	1	Hose

# = Revised or new since last update

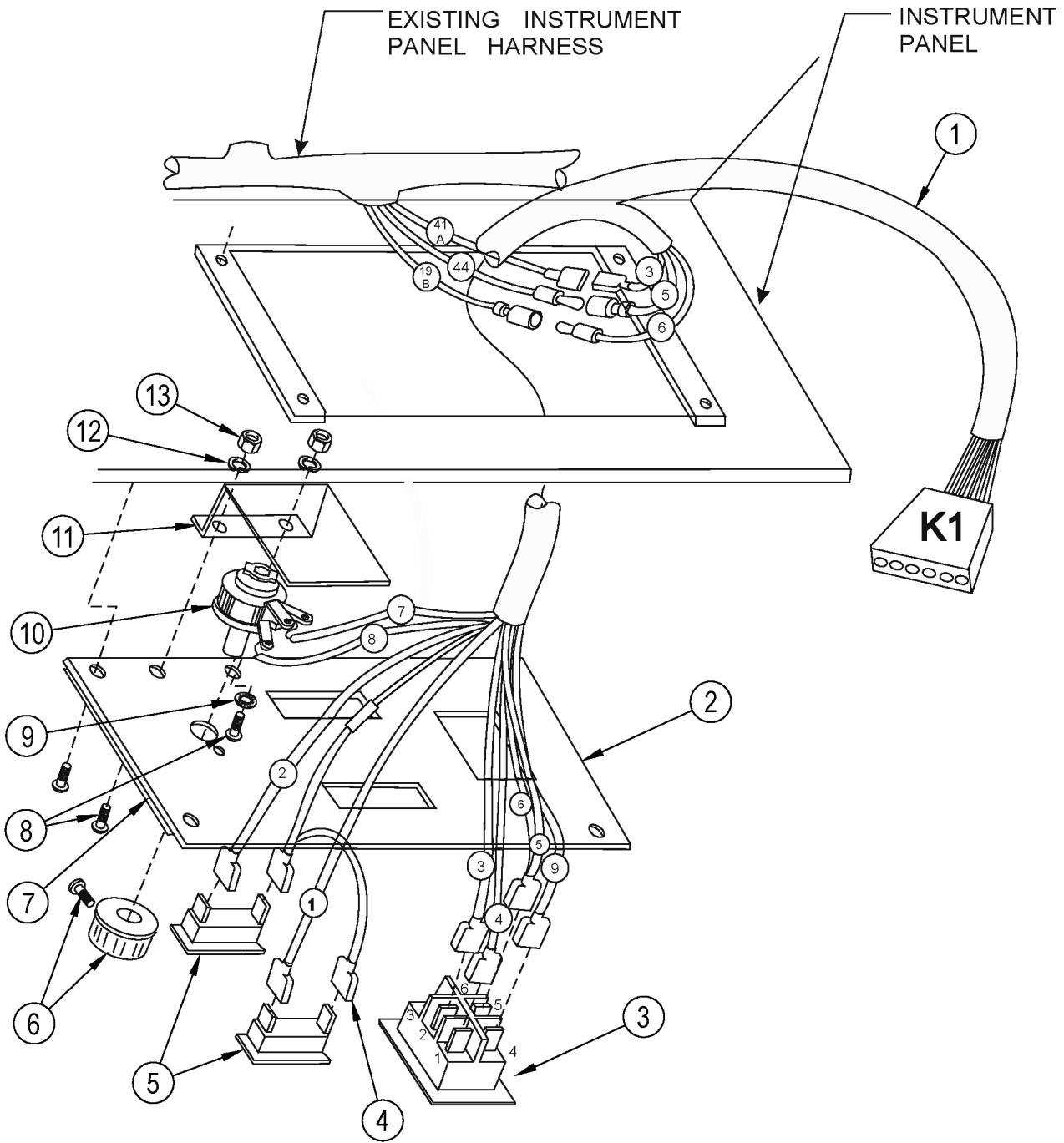




08-4	<b>ESP OPTION (RECOVERY TANK &amp; DETERGENT PUMP)</b>		
08-6	<b>7765</b>		<b>161</b>

Item	Ref. No.	Qty	Description
#	56514864		ESP Option (Recovery Tank & Detergent Pump)
1#	7-24-04022	1	Solution Inlet Filter
2#	2-95-04268	1	Elbow, Street 3/4 NPT
3#	2-00-04736	1	Fitting, 3/4 NPT Connector
4#	2-00-05015	2	Sealing Washer
5#	2-00-05014	2	O-Ring Seal
6#	2-00-05024	1	Wash Flat 2 x 1.06 x .109 ZN
7#	2-00-04469	1	Fitting, 90° Elbow
8#	2-95-02518	1	Fitting, 3/4 NPT Close Nipple
9#	2-00-04608	1	Fitting, 3/4 NPT Coupling
10#	2-00-04751	1	Fitting, 90° Swivel Elbow
11#	2-00-03407	3	Clamp
12#	7-33-02329	1	Hose, Pump to Recovery Tank
13#	2-00-01246	6	Nut, 10-24 Hex
14#	7-60-05025	1	Pump, ESP
15#	2-00-00426	6	Flat Washer
16#	2-00-00089	4	Screw, 10-24 x 1.500 RHM
17#	7-33-02328	1	Hose, Pump to Solution Tank
18#	8-75-01207	2	Spacer
19#	7-60-05031	1	Pump, Peristaltic Metering
20#	2-00-05056	2	Screw, 10-24 x 2.00 SHC
21#	2-00-05412	2	Fitting, Union-Reducer Connector
22#	7-87-02147	2	Detergent Feed Tube 18"
23#	2-00-05363	1	Hose Clamp
24#	2-00-04655	1	Fitting, 90°
25#	2-00-03261	1	Grommet
26#	2-00-00641	1	Nut, Fiber
27#	2-00-03702	2	Washer, Flat
28#	2-00-00828	2	Terminal
29#	2-00-01490	1	Screw

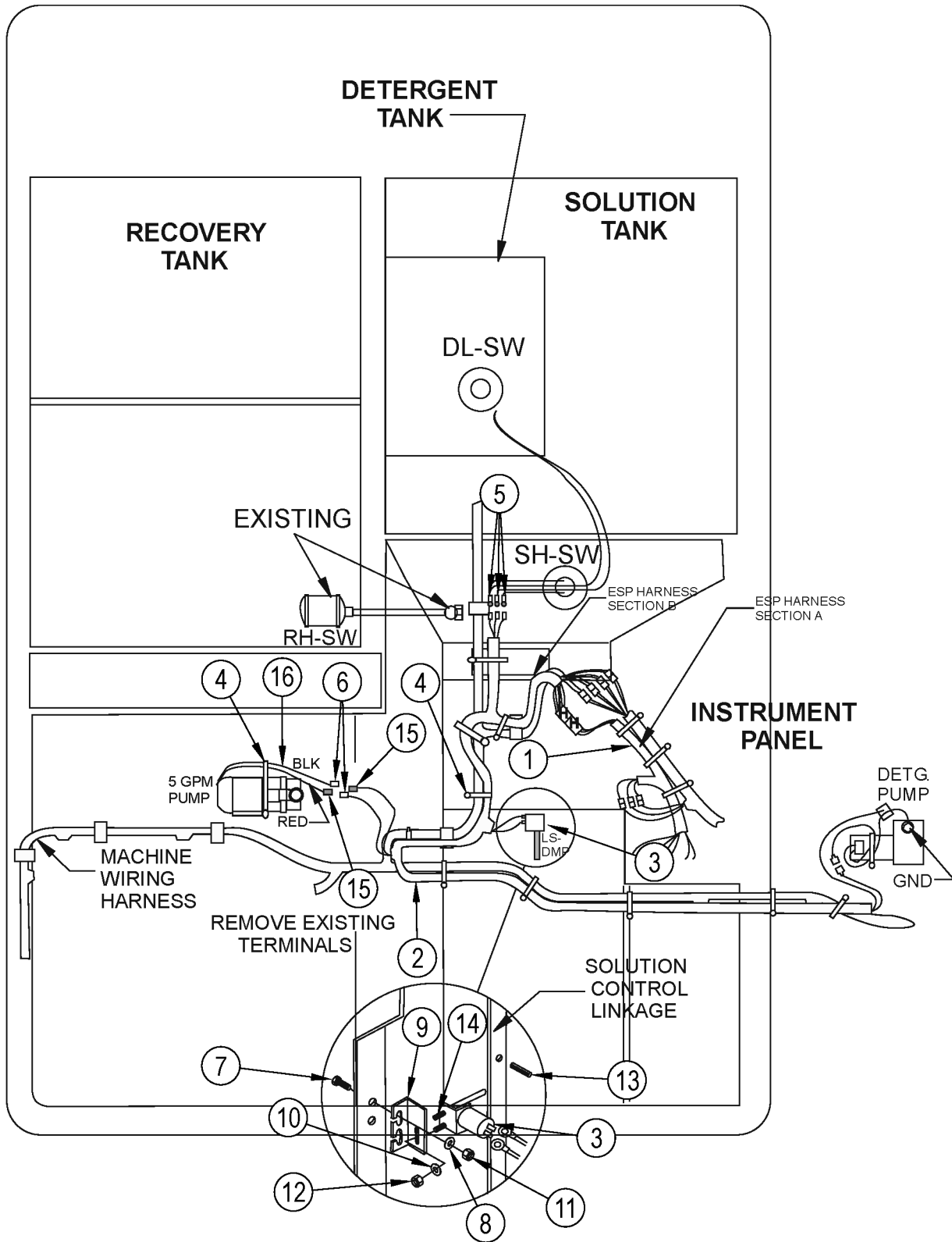
# = Revised or new since last update



08-4	<b>ESP OPTION (INSTRUMENT PANEL)</b>		
08-6	<b>7765</b>		<b>163</b>

Item	Ref. No.	Qty	Description
#	56514864		ESP Option (Instrument Panel)
1	0795-114	1	ESP Wiring Harness
2#	56514865	1	ESP Instrument Panel
3	7-82-00022	1	DPS ON/OFF Switch
4	7-90-07233	1	Wire Assembly, Gr. for Detergent Low & Solution High
5	7-40-05028	2	Light
6	7-39-00021	1	Knob
7#	7-18-00136	1	Decal, Detergent Flow
8#	2-00-03061	2	Screw, 10-24 x .50
9#	2-00-02296	2	Lock Washer, 10 Ext.
10#			Included with harness
11#	7-30-05057	1	Guard, Rheostat
12#	2-00-00512	2	Lock Washer
13#	2-00-01246	2	Nut, Hex 10-24

# = Revised or new since last update



08-4

**ESP OPTION (WIRING)**

08-6

**7765****165**

Item	Ref. No.	Qty	Description
#	56514864		ESP Option (Wiring)
1#	0795-114	1	ESP Wiring Harness, Section A
2#	0795-114	1	ESP Wiring Harness, Section B
3#	8-82-00036	1	LS - DMP Switch
4#	56478246	9	Wire Tie
5#	2-00-04551	3	Terminal, .156 Male
6#	2-00-03418	2	Terminal, .250 FISO Female
7#	2-00-03575	2	Carriage Bolt
8#	2-00-00407	2	Flat Washer, .562 x .265 x .062
9#	8-08-00532	1	Bracket
10#	2-00-00426	2	Flat Washer, .500 x .218 x .062
11#	2-00-00641	2	Nut-Ins-Fiber 1/4-20 ZN PL
12#	56002768	2	Nut, Hex Nyl Loc 10-24
13#	2-00-04749	1	Roll Pin .125 x 1.375
14#	2-00-03059	2	Screw, 10-24 x .375 THM
15#	8-11-00015	2	Terminal, .250 FISO
16#	3-61-02014	1	Conduit

# = Revised or new since last update

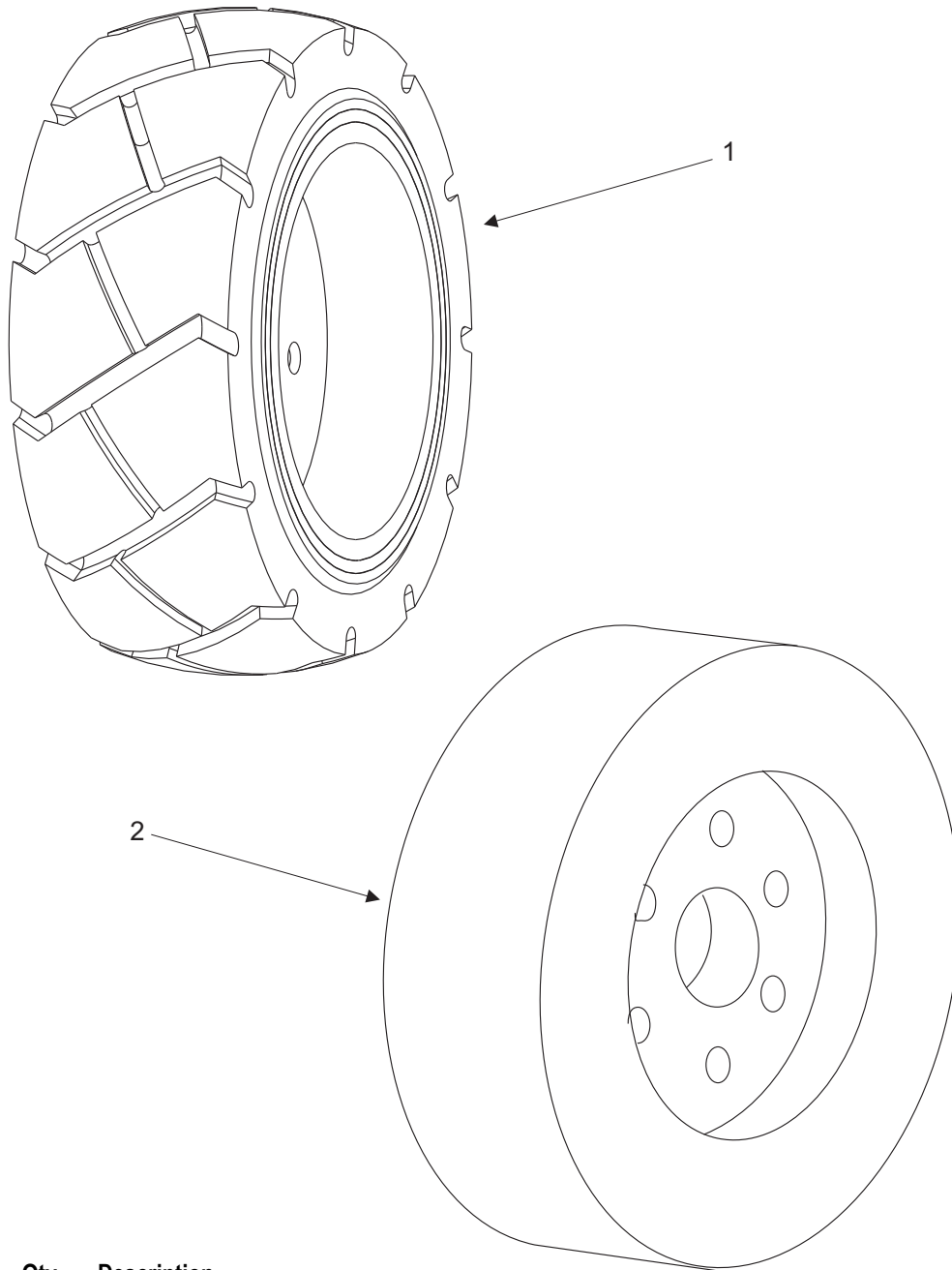
TIRE OPTIONS

08-4

166

7765

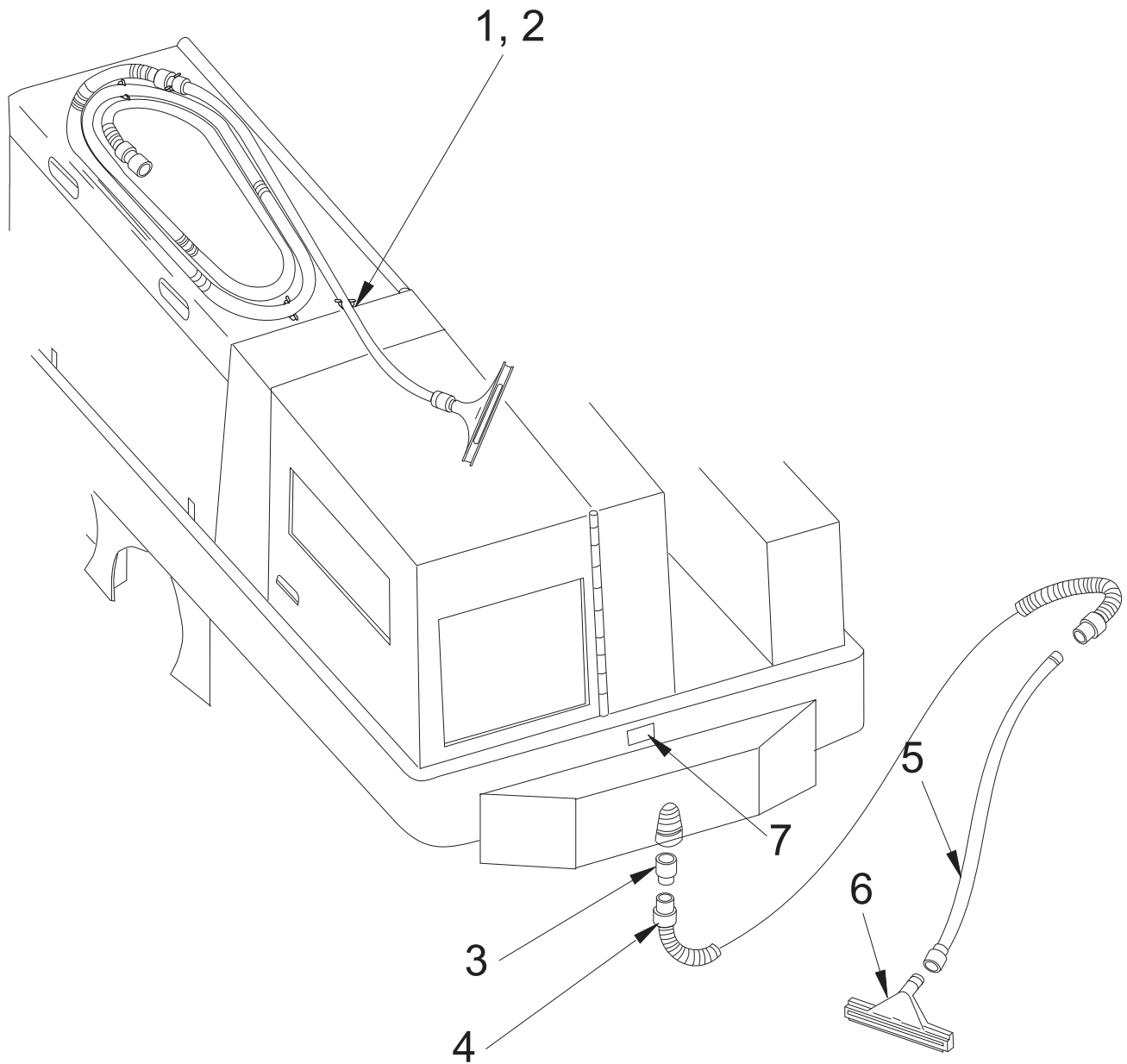
08-6



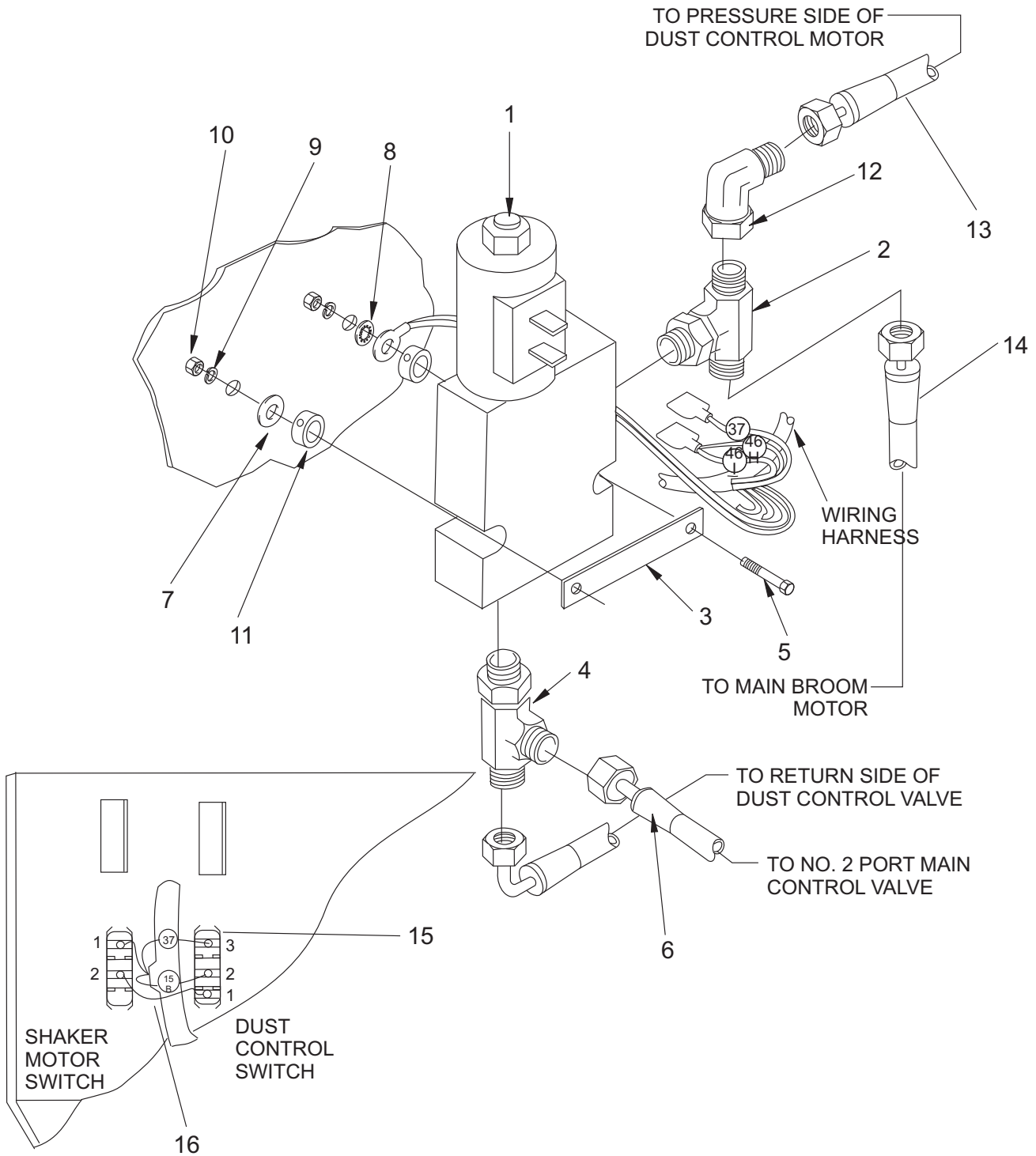
Item	Ref. No.	Qty	Description
1#	0780-711	1	Tire, Rear Wheel Non Marking
[ ]#	7-89-08047	1	Tire, Rear Wheel Extra Traction
[ ]#	7-85-06008	1	Tire, Rear Wheel (Hvy Duty Option)
[ ]#	56504483	1	Tire, Rear Wheel (Directional) <b>TSBUS2008-1006</b>
2	0780-098	2	Front Tire, Urethane (7-89-08043 tire)

[ ] = Not Shown

# = Revised or new since last update



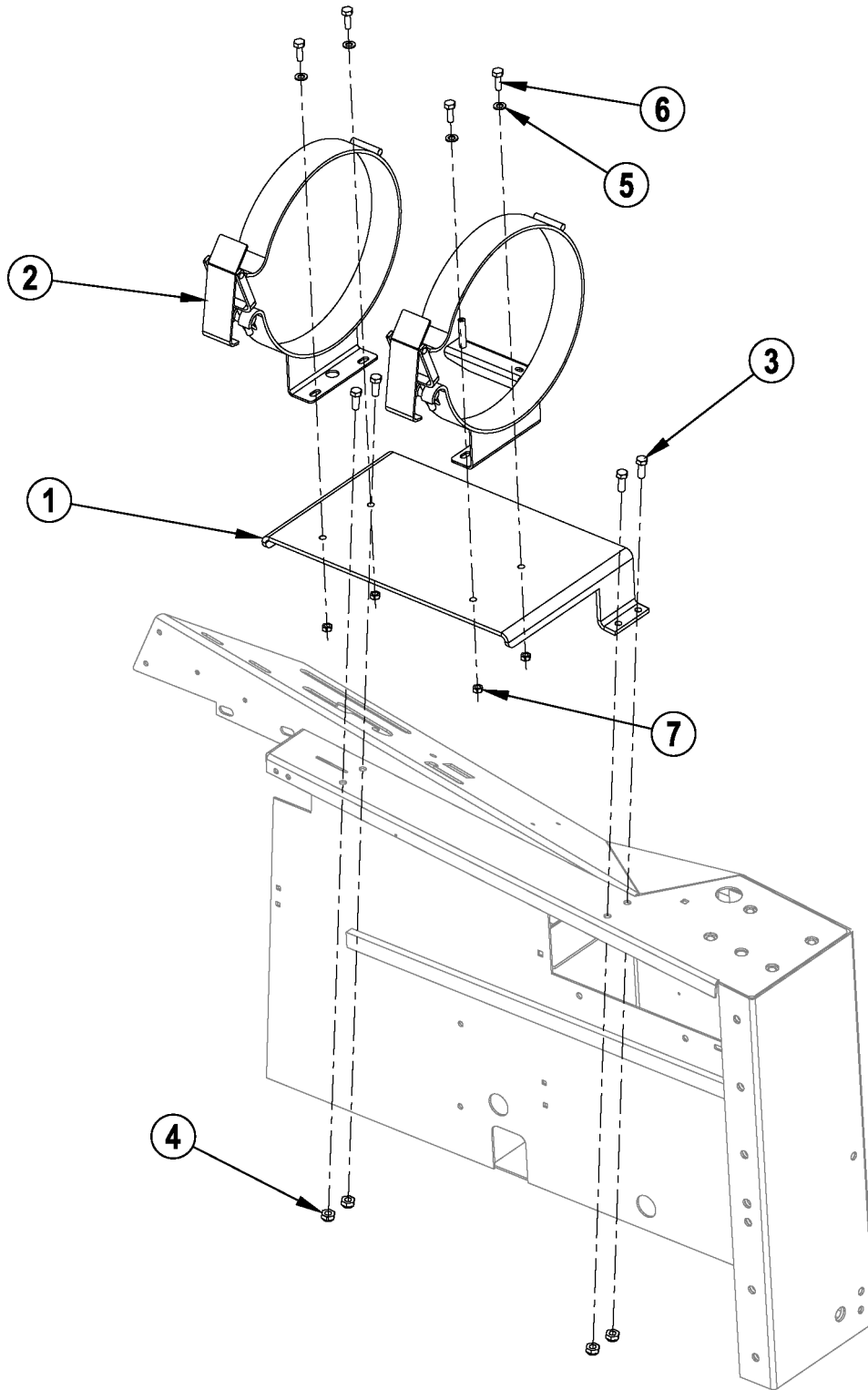
Item	Ref. No.	Qty	Description
	0780-382		Vacuum Wand Option
1	7-13-07097	10	Clip
2	2-00-04312	10	Screw, 10 - 24 x .625 T/C HH
3	7-03-00040	1	Adapter
4	634118	1	Clarke Hose
5	639804	1	Clarke 1 1/2" Wand Assembly
6	638828	1	14" Squeegee
7	7-18-00121	1	Decal, Warning



P4881/9809



Item	Ref. No.	Qty	Description
	0780-381		Wet Sweep Bypass Option
1	7-88-00038	1	Solenoid Valve (N.O.)
2	2-00-04978	1	ORFS Run Tee, 3/4-16 to 13/16-16
3	8-08-00590	1	Bracket
4	2-00-04924	1	ORFS Run Tee, 3/4-16 to 13/16-16
5	2-00-01980	2	Screw, 1/4 - 20 x 2.500 HHC
6	8-33-02190	1	Hose (Gas)
6	7-33-02205	1	Hose (Diesel)
7	2-00-03702	1	Flat Washer, .625 x .281 x .062
8	2-00-00501	1	Lock Washer, 1/4 Int.
9	2-00-00518	2	Lock Washer, Helical Spring 1/4 Med
10	2-00-00594	2	Nut, Hex 1/4 - 20 x .437 x .218
11	7-15-01031	2	Spacer
12	2-00-05046	1	Fitting, 90° Elbow
13	7-33-02192	Ref.	Hose
14	8-33-02214	Ref.	Hose
15	7-82-00020	1	Switch
16	7-90-07228	1	Wire, Jumper



08-4

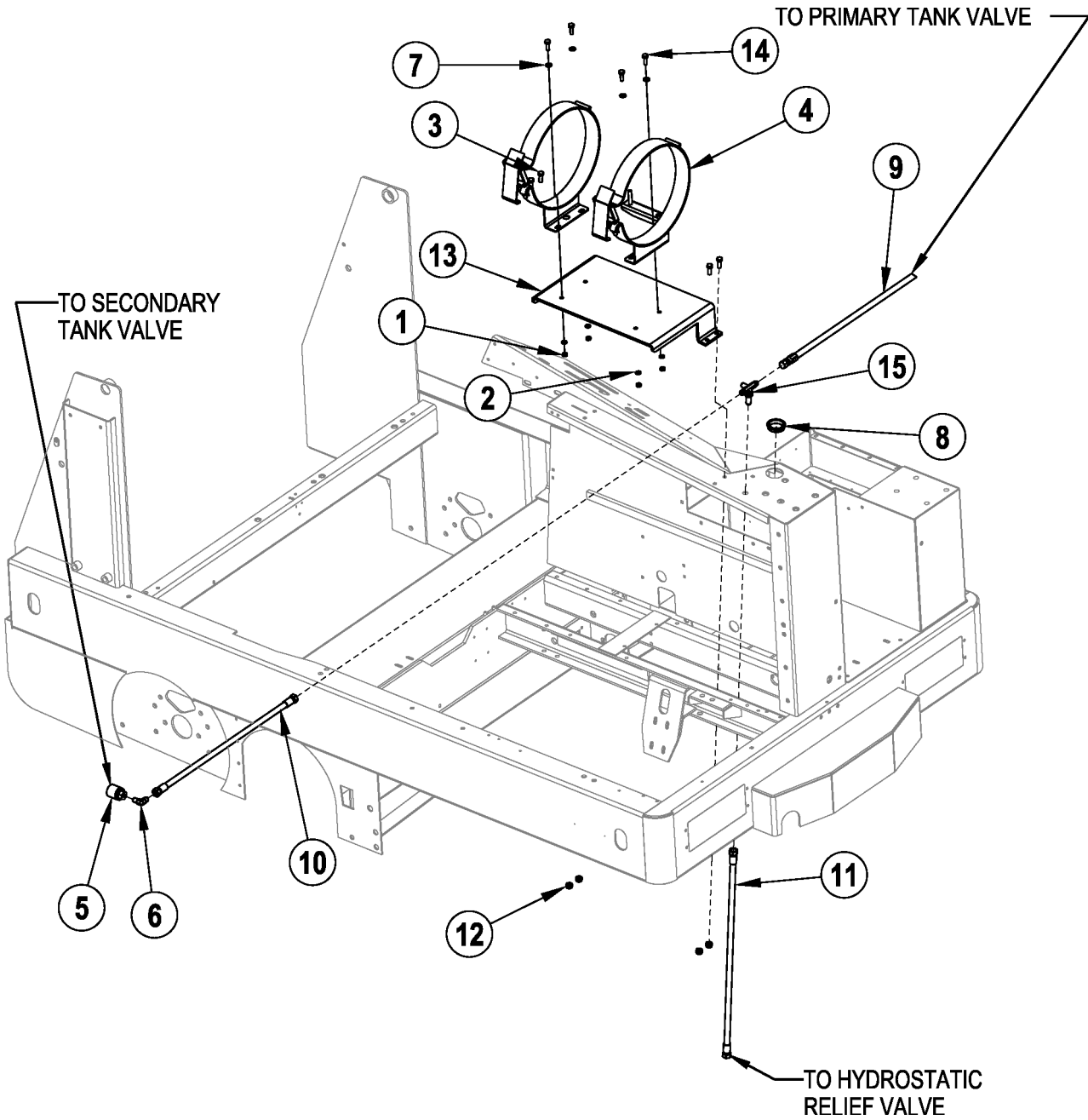
**AUXILIARY LP TANK OPTION**

08-6

**7765****171**

Item	Ref. No.	Qty	Description
	56514879		Auxiliary LP Tank Option
1	56514909	1	Plate, Bracket Mounting
2#	7-08-00059	1	Bracket, Tank Mounting
3	2-00-00233	4	Bolt, 3/8-16 x 1.0 Fin. Hex Head
4	2-00-00643	4	Nut, 3/8-16 Elastic Lock
5	2-00-00409	4	Flat Washer, .687 x .344 x .062
6	2-00-02708	4	Screw, 5/16-18 x 1.0 Hex Head
7	2-00-00644	4	Nut, Hex, Insert Fiber, 5/16-18

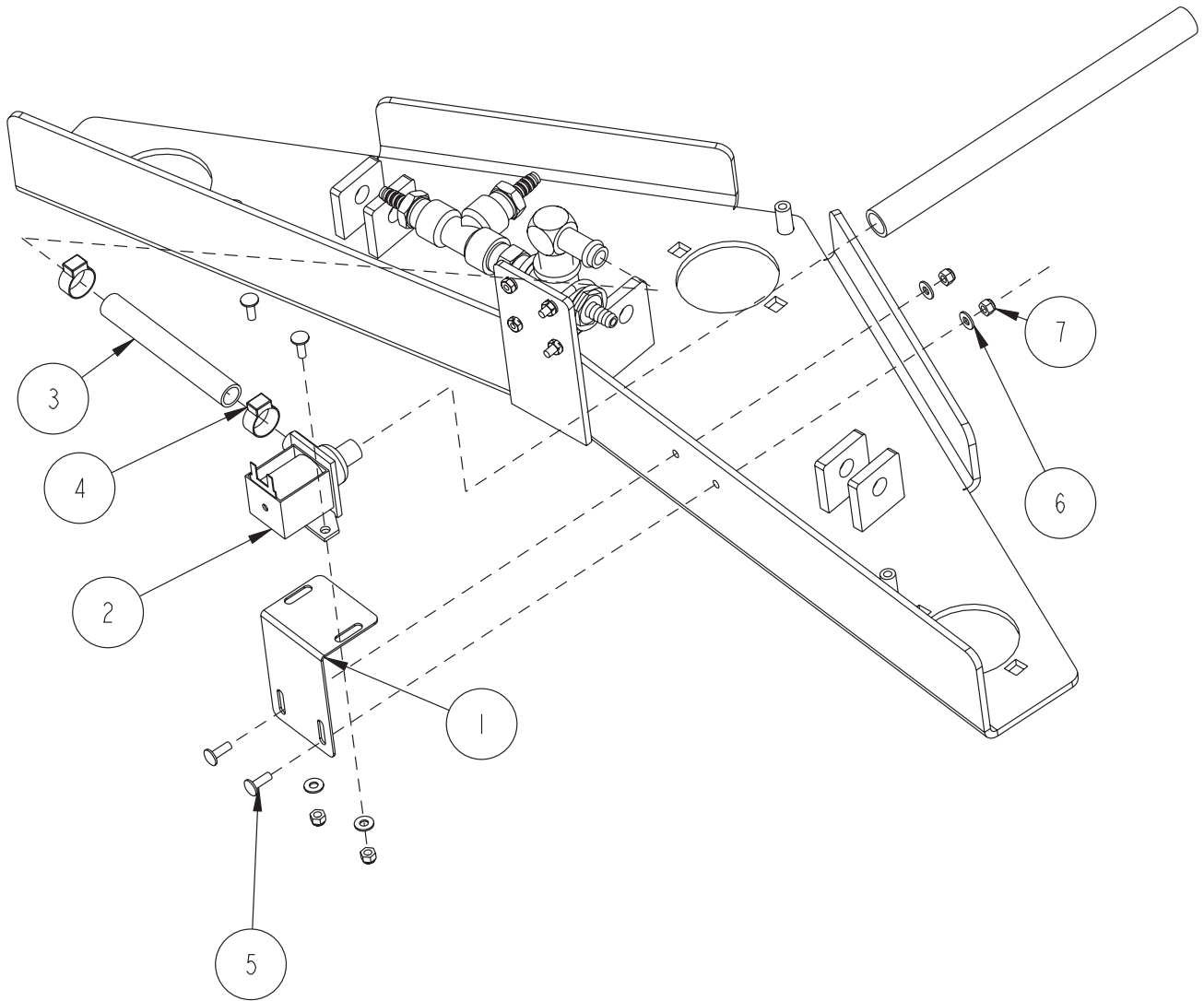
# = Revised or new since last update



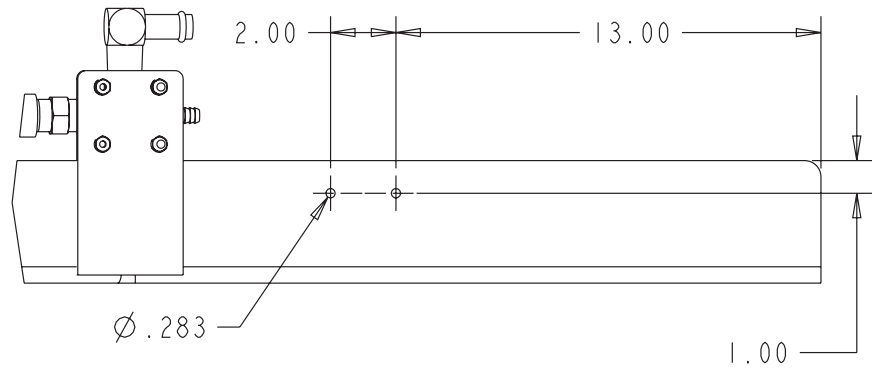
08-4	<b>DUAL FEED LP TANKS OPTION</b>		
08-6	<b>7765</b>		<b>173</b>

Item	Ref. No.	Qty	Description
#	56514862		Dual Feed LP Tanks Option
1#	2-00-00585	4	5/16-18, Hex Nut
2#	2-00-00530	4	5/16" Lock Washer
3#	2-00-00233	4	Bolt-Hex Head, Finished, 3/8-16 X 1.00
4#	7-08-00059	1	Bracket, Tank Mounting
5#	7-16-05049	1	Coupling, Lp Tank, Acme Rego 7141f
6#	8-56-05023	1	Fitting, 45 Flare Elbow, 1/4 Npt
7#	2-00-00409	4	Flat Washer, .687 X .344 X .062
8#	8-09-01077	1	Grommet
9#	7-33-02741	1	Hose, Lp High Pressure 72"
10#	7-33-02718	1	Hose, Lp High Pressure, 24"
11#	7-33-02719	1	Hose, Lp High Pressure, 28"
12#	2-00-00643	4	Locknut-Elastic, 3/8-16
13#	56514909	1	Plate, Bracket Mounting
14#	2-00-02708	4	Screw, Hex Head, 5/16-18 X 1.00"
15#	7-88-00129	1	Valve, Dual Tank Check

# = Revised or new since last update



0780-729



08-4

**SOLUTION OFF IN NEUTRAL OPTION**

08-6

**7765****175**

Item	Ref. No.	Qty	Description
	0780-729		Solution Off In Neutral Option
1	7-08-01334	1	Valve, Bracket
2	7-88-00088	1	Valve, Solution (12VDC)
3#	7-33-02443	1	Hose, Solution Tube 1/2" ID x 6.2
4	2-00-03407	2	Clamp, Hose (Witteck 10P)
5	2-00-00183	4	Screw, 1/4-20 Round Head
6	2-00-03702	4	Washer, .625 x .281 x .063
7	2-00-00641	4	Nut, 1/4-20 Fiber Insert

# = Revised or new since last update

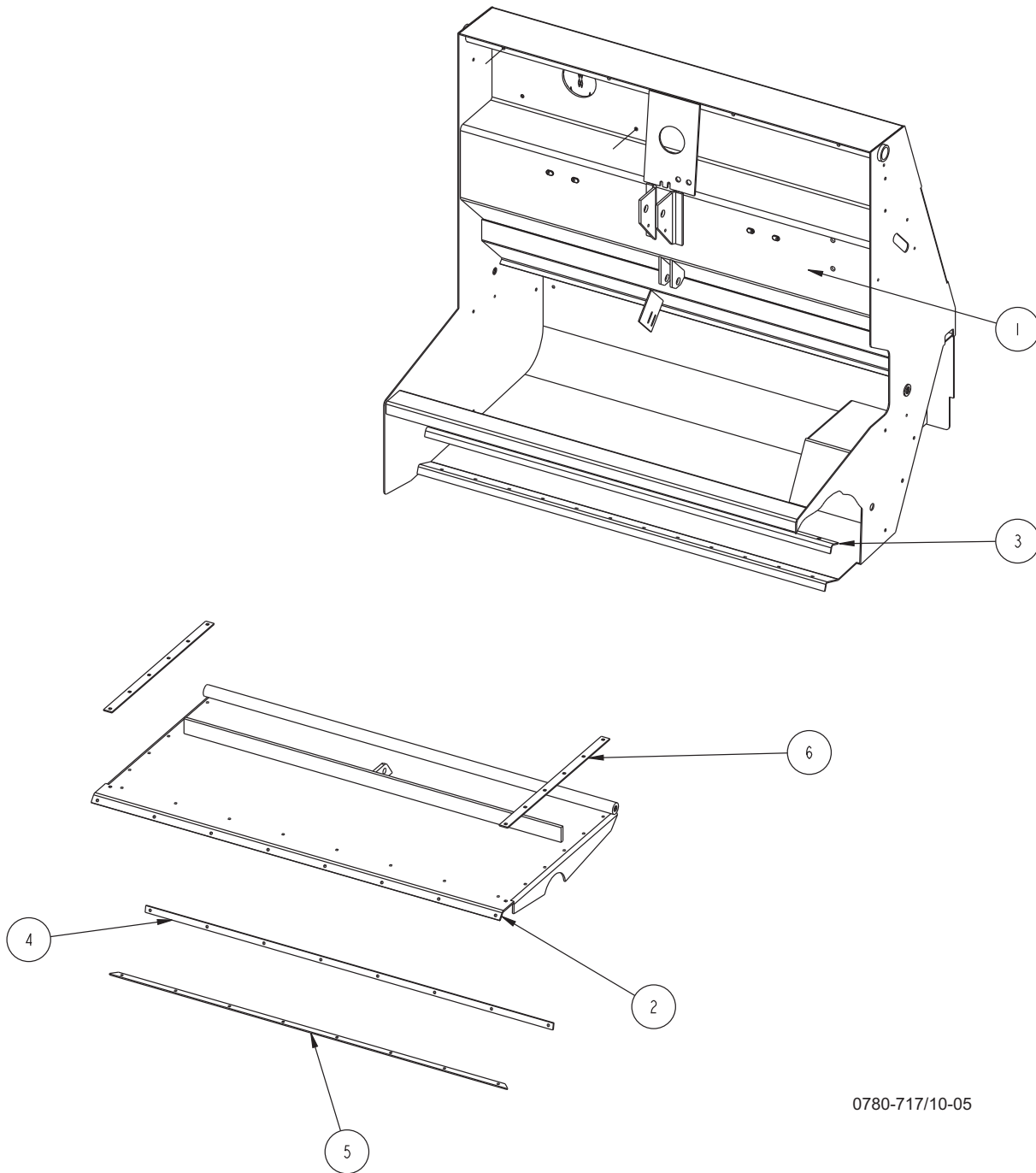
**STAINLESS STEEL VARIABLE DUMP HOPPER OPTION**

08-4

176

7765

08-6

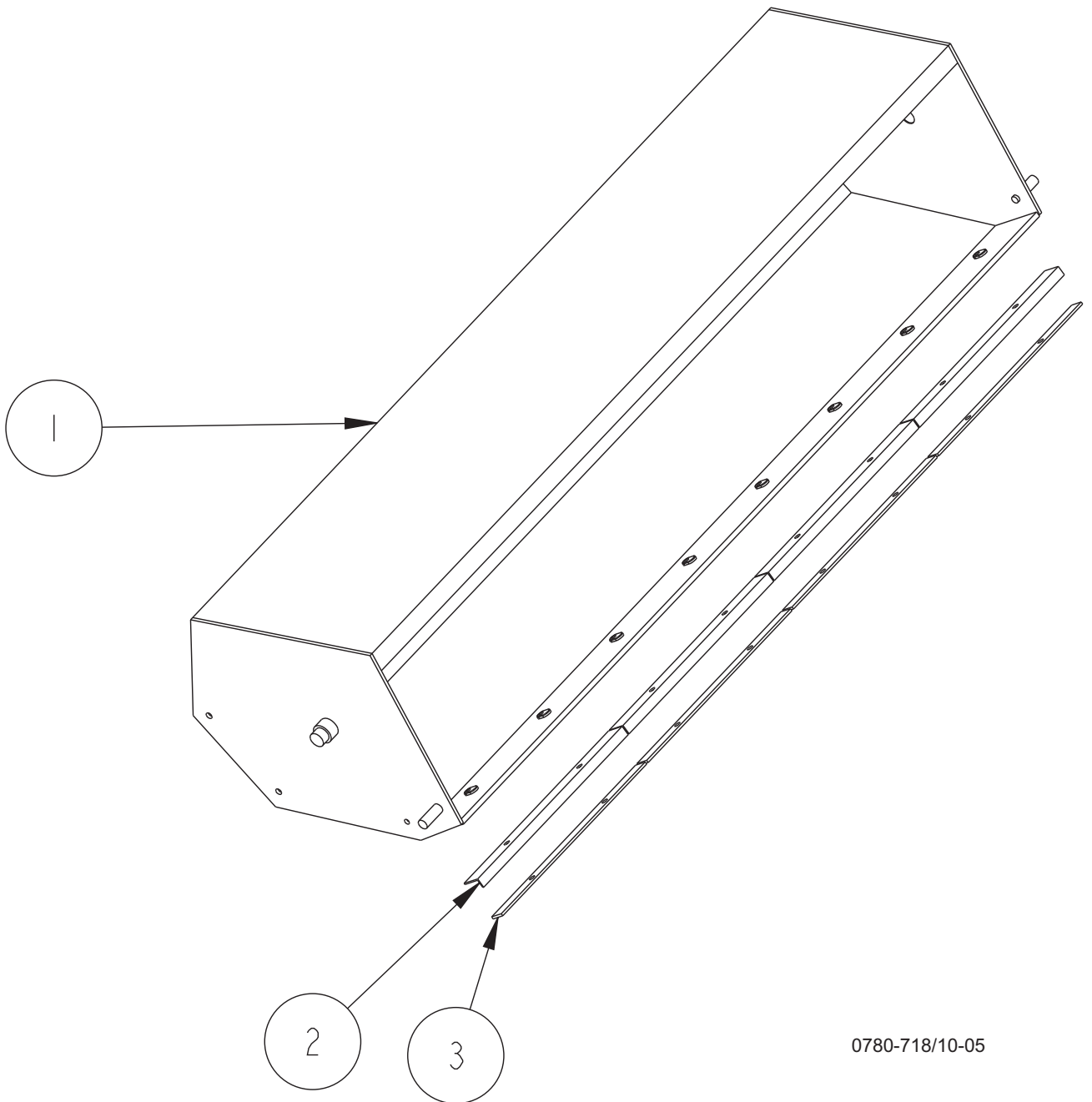


0780-717/10-05

Item	Ref. No.	Qty	Description
	56514878		Stainless Steel Variable Dump Hopper Option
1	56514907	1	Hopper, Stainless Steel
2	56514908	1	Door, Hopper Dump
3#	56514891	1	Clamp, Hopper Flap
4#	56514889	1	Strap, Outer Seal
5#	56514890	1	Strap, Inner Sea
6#	56514892	2	Clamp, Door Side Seal

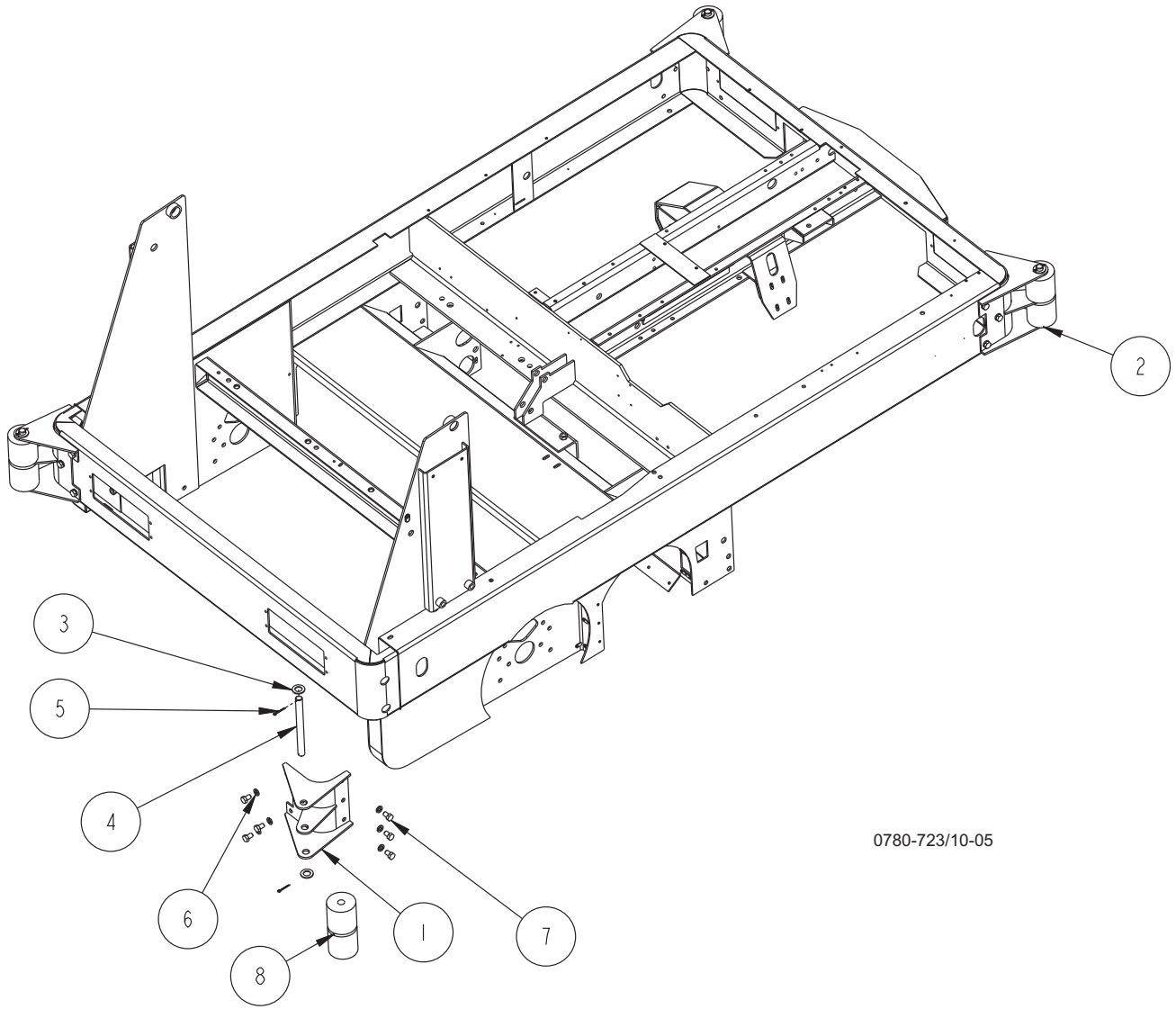
# = Revised or new since last update





0780-718/10-05

Item	Ref. No.	Qty	Description
	56514881		Stainless Steel Manual Dump Hopper Option
1	56514912	1	Hopper, Stainless Steel
3	7-13-07169-1	4	Clamp, Hopper Flap
5	7-79-00091-1	4	Strap, Hopper Flap

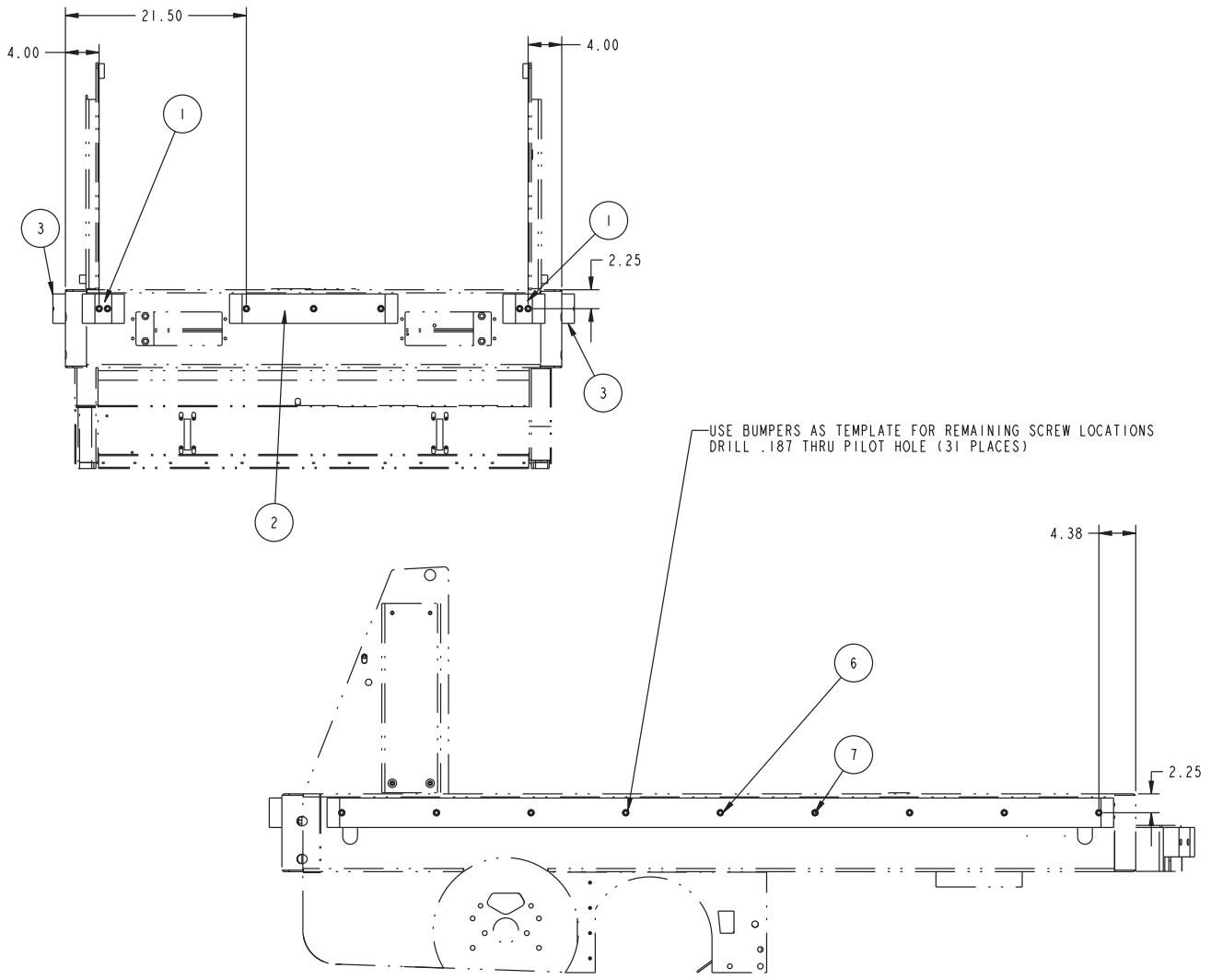


0780-723/10-05

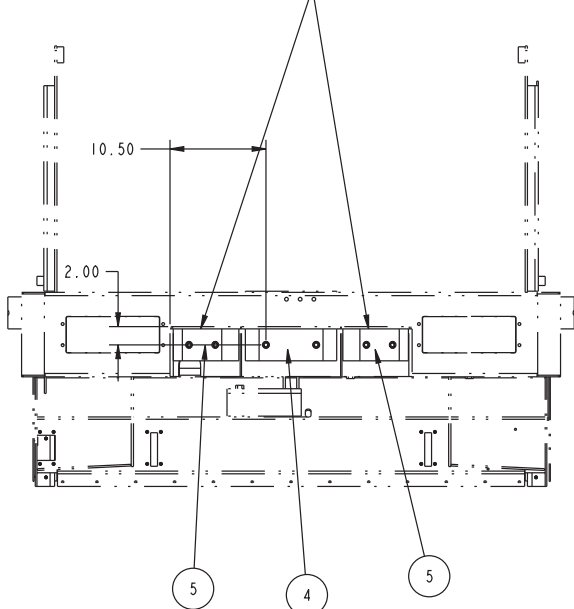
08-4

**EXTENDED BUMPERS OPTION****7765****179**

Item	Ref. No.	Qty	Description
	0780-723		Extended Bumpers Option
1	7-08-01331	2	Bracket, Bumper Mount
2	7-08-01330	2	Bracket, Bumper Mount
3	2-00-04176	8	Flat Washer
4	7-70-05206	4	Shaft, Bumper
5	2-00-00776	8	Cotter Pin (1/8 dia. x 1.5" long)
6	2-00-02312	24	Lock Washer, 1/2"
7	2-00-02676	24	Screw, 1/2-13 x 3/4
8	7-66-05009	8	Roller, Bumper



CENTER BUMPERS ON SPACE AVAILABLE



0780-724/10-05

08-4

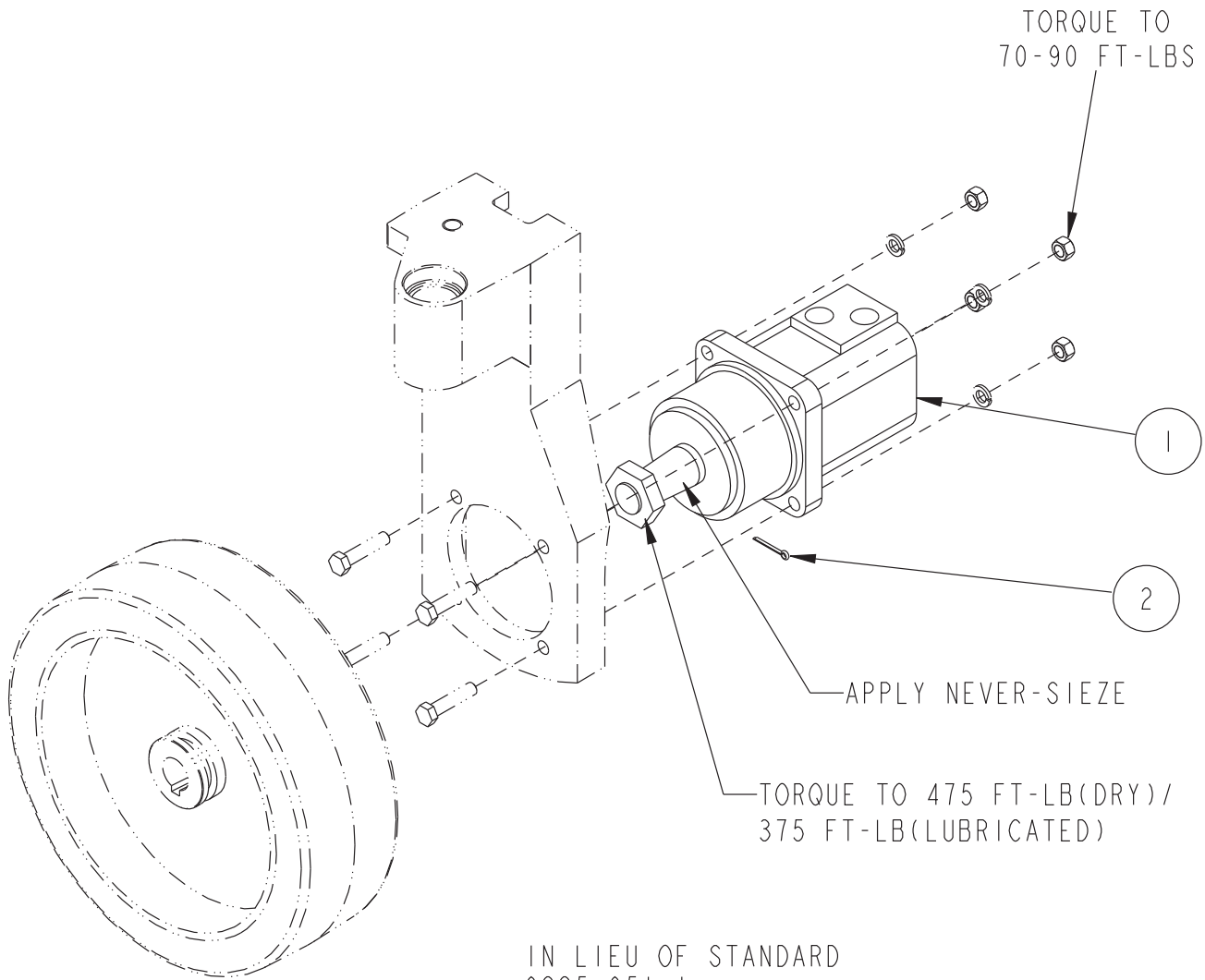
**WRAP-AROUND BUMPERS OPTION**

08-6

**7765****181**

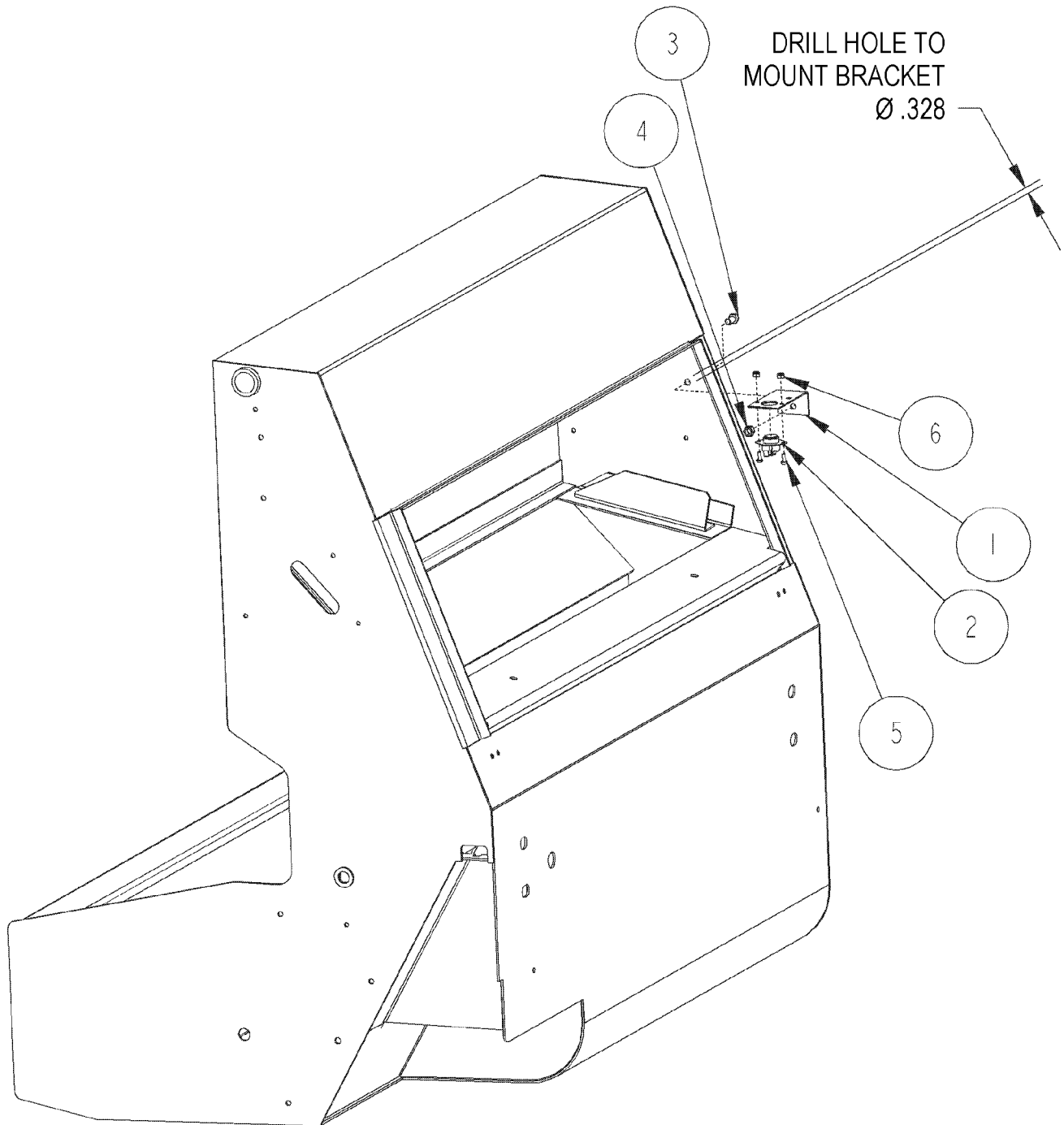
Item	Ref. No.	Qty	Description
	0780-724		Wrap-Around Bumpers Option
1	7-08-07129	2	Bumper, Poly, 5"
2	7-08-07126	1	Bumper, Poly, 20"
3#	7-08-07125	2	Bumper, Poly, 93.5"
4#	7-08-07127	1	Bumper, Poly, 10"
5#	7-08-07128	2	Bumper, Poly, 7.5"
6	2-00-00409	31	Flat Washer, .687 x .344 x .062
7	2-00-06556	31	Screw, 1/4-20 x 2.0

# = Revised or new since last update

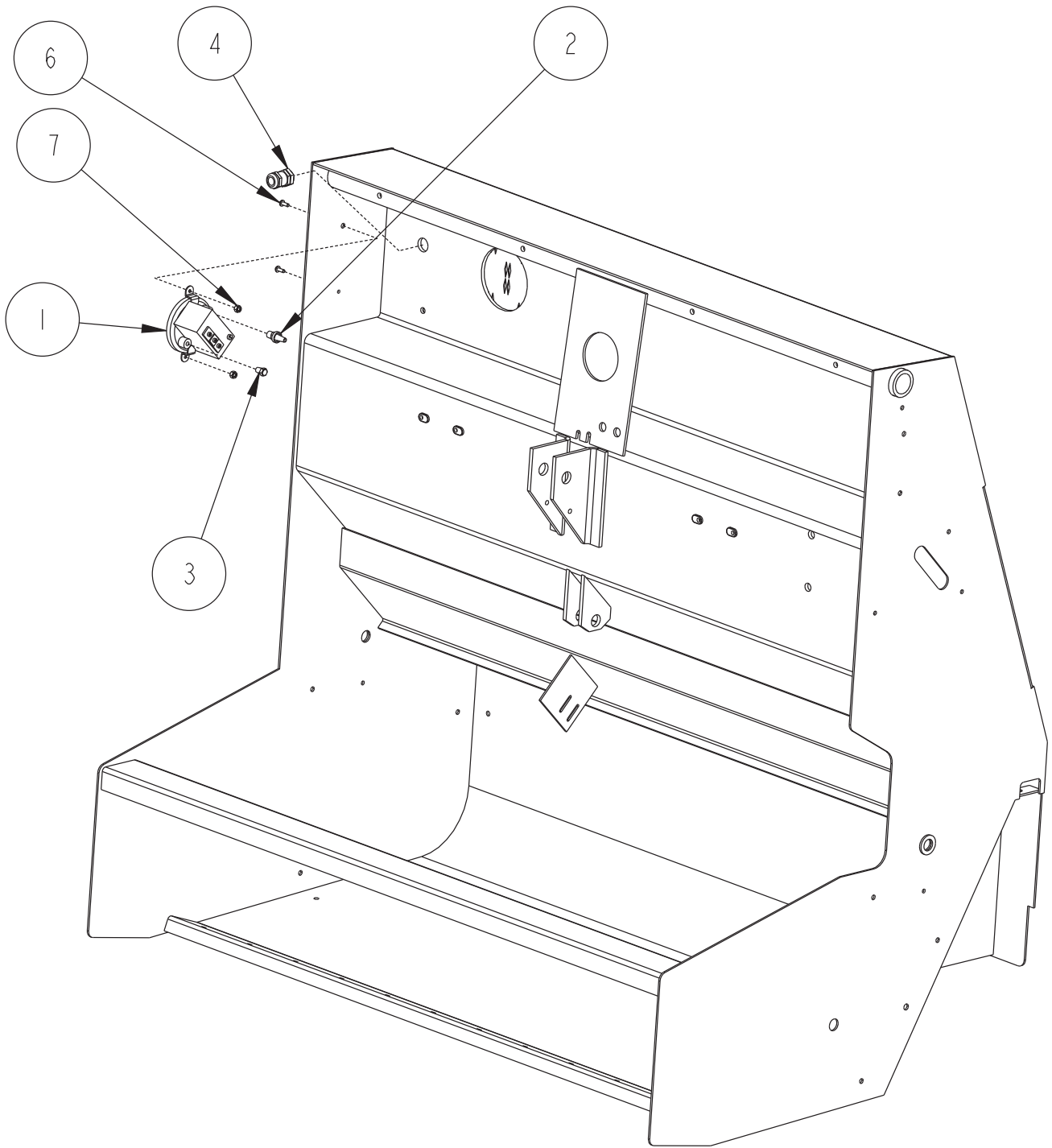


0780-710/10-05

Item	Ref. No.	Qty	Description
	0780-710		High Torque Drive Wheel Motor Option
1	0885-083	1	Motor, Hydraulic Drive
2	2-00-00776	1	Cotter Pin, 1/8 dia. x 1.5" long



Item	Ref. No.	Qty	Description
	0780-727		Hopper High Temp Shutdown Option
1	8-08-00803	1	Bracket, Thermostat Switch
2	8-82-00056	1	Switch, Thermostat
3	2-00-00232	1	Bolt, 3/8-16 x 3/4 Fin. Hex Head
4	2-95-04182	1	Nut, 3/8-16 Hex Stop
5	2-00-00049	2	Screw, 10-24 x 1/2 RHM
6	2-00-01246	2	Nut, 10-24 Elastic Stop





08-4

**CLOGGED FILTER INDICATOR OPTION**

08-6

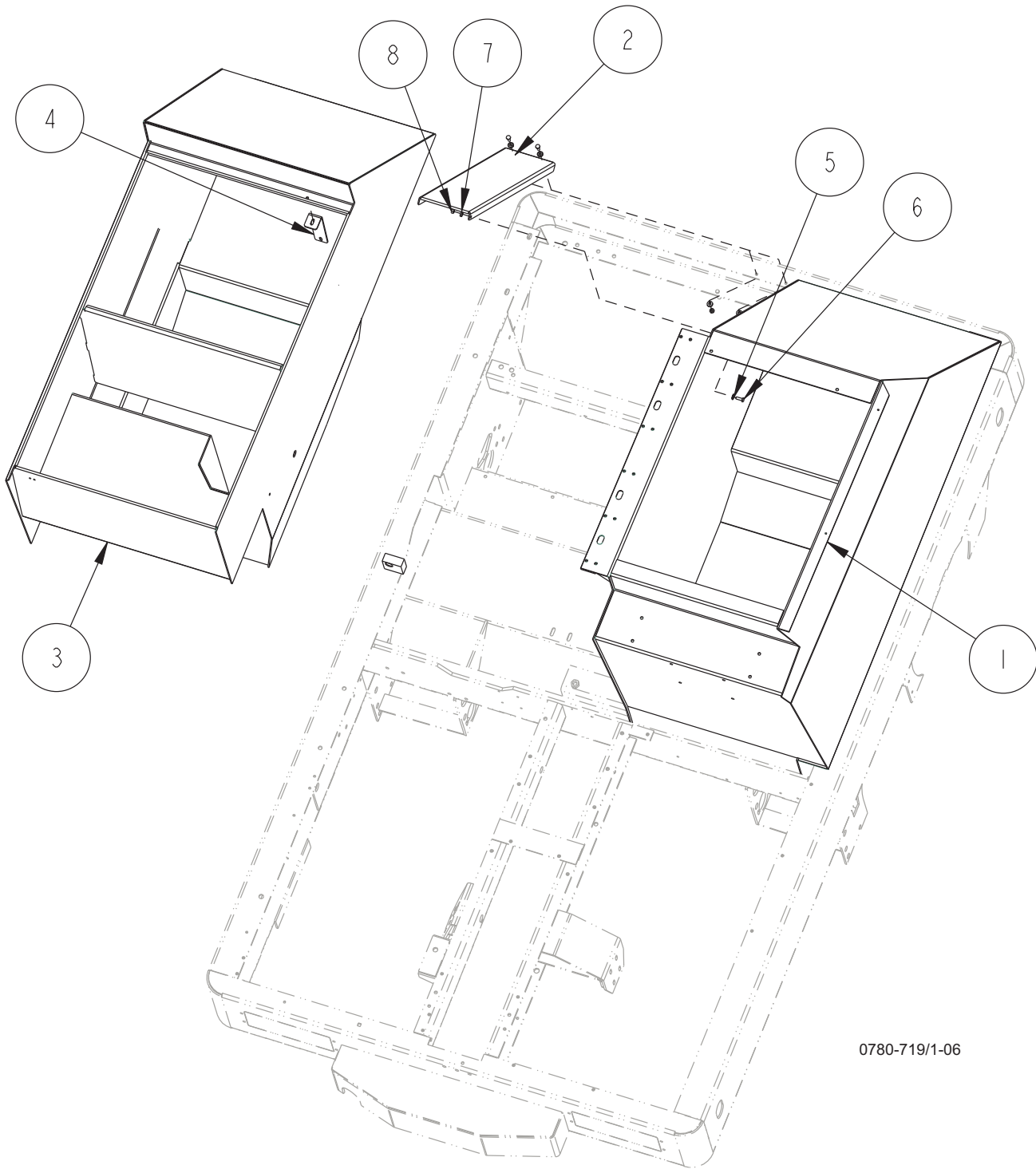
**7765****185**

Item	Ref. No.	Qty	Description
	0780-728		Clogged Filter Indicator Option
1	8-63-05014	1	Regulator, Differential Pressure Switch
2	2-00-04518	1	Fitting, 1/8 NPT Barbed End
3	8-24-04075	1	Filter, Vent Plug
4	8-09-01083	1	Connector, Bulkhead
5	7-87-02155	1	Hose
6	2-00-00049	2	Screw, 10-24 x 1/2 RHM
7	2-00-01246	2	Nut, 10-24 Elastic Stop

On Control Panel (not shown):

#			DELETED
#			DELETED
#	56305660	1	Light, Red LED Indicator
#			DELETED

# = Revised or new since last update

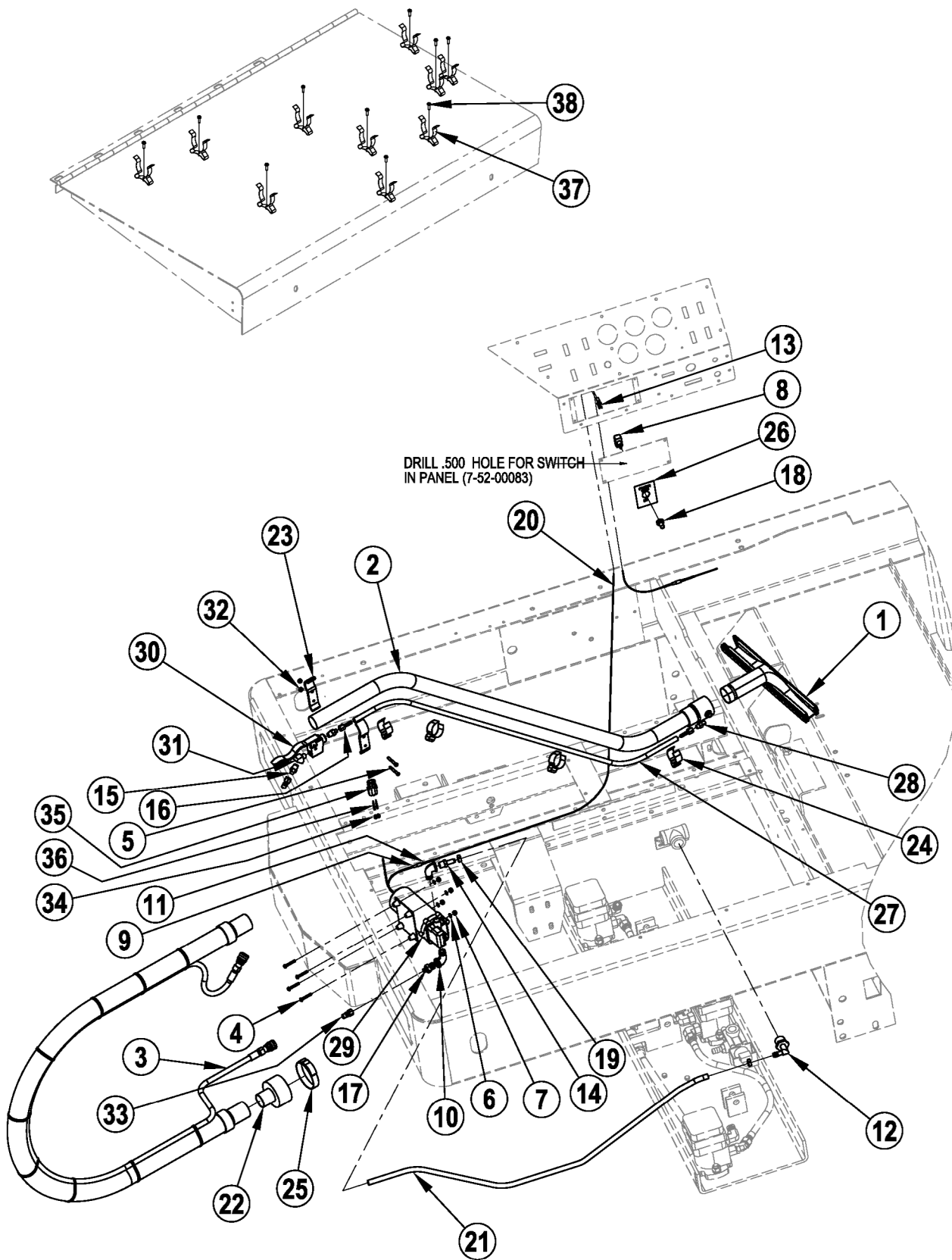


0780-719/1-06

Item	Ref. No.	Qty	Description
	56514880		125 Gallon Solution & Recovery Tanks Option (Manual Dump Only)
1*	56514911	1	Solution Tank
2	7-08-01254	1	Bracket, Filler
3*	56514913	1	Recovery Tank
4<	7-08-01338	1	Support, Debris Basket
5	2-00-04590	3	Washer, Sealing
6	2-00-04685	3	Screw, 1/4-20 x 3/4 SS Hex Head
7	2-00-04687	3	Lock Washer, 1/4 Helical Spring
8	2-00-04688	3	Nut, 1/4-20 Hex

\*In lieu of standards 56514775 & 7-83-04168

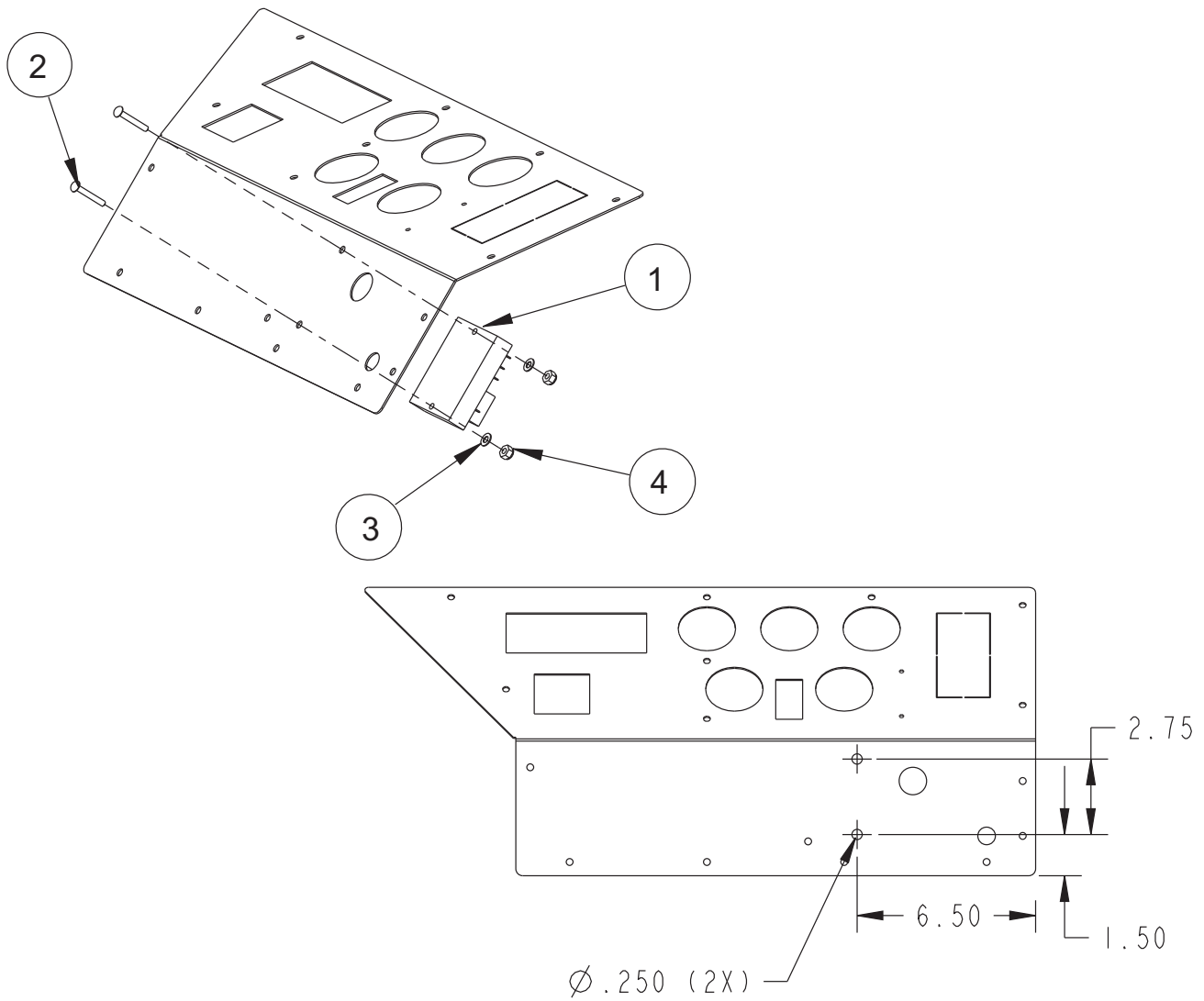
<Required only if equipped with debris basket (Option 0780-236)



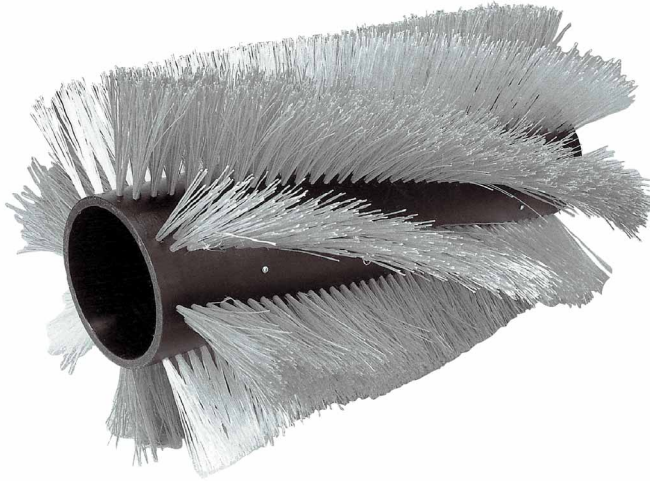
08-4	<b>POWER SPRAY WAND OPTION</b>			
08-6	<b>7765</b>			<b>189</b>

Item	Ref. No.	Qty	Description
	0780-378		Power Spray Wand Option
1	638828	1	Tool Assembly
2	639804	1	Wand Assembly
3	0261-029	1	Hose Assembly
4	2-00-00071	4	Screw 10-24 X 1.25 Lg
5	2-00-00089	2	Screw 10-24 X1.5 Lg, RHM
6	2-00-00460	4	Washer-Flat .438 X .192 X .031
7	2-00-01246	4	Nut-10-24 Elastic Stop Nut
8	2-00-03499	1	Switch, Toggle, On-Off
9	2-00-04578	2	Terminal (.156 Male)
10	2-00-04589	2	Fitting- 3/8 to 3/8 90° Street Elbow
11	2-00-04626	2	Terminal (.156 Female)
12	2-00-04655	1	Fitting-90° Elbow (Nylon)
13	2-00-04808	2	Terminal, 8 Spring Spade Tongue, 16-14 Awg
14	2-00-05201	1	Fitting
15	2-00-05206	2	Reducer-Male Pipe 1/4 X 1/8
16	2-00-05207	2	Adapter, 1/4 Hose X 1/8 NPT
17	2-00-05913	1	Fitting, 3/8" Npt-1/8" NPT Reducer Nipple
18	2-74-00059	1	Boot
19	2-95-04388	2	Clamp, Hose
20	3-61-00193	1	Wire, Red, 16 Awg X 15'
21	3-71-03025	1	1/2 OD X .375 ID Cobon Tubing
22	7-03-00040	1	Adapter, 3" OD - 1.5" OD
23	7-13-07139	2	Clamp, Valve
24	7-13-07140	4	Clamp, Hose
25	7-13-07225	1	Clamp, Over-Center Hose, 3"
26	7-18-00217	1	Decal-Power Wand
27	7-33-02306	1	Hose-Solution Feed
28	7-50-01002	1	Spray Nozzle
29	7-60-05022	1	Pump, Water 12V DC
30	7-88-00058	1	Valve-Solution 1/4 NPT
31	8-56-05026	1	45 Street Elbow
32	56003053	2	Nut, Hex Nyl Loc-Thin 10-32
33	56220055	2	Plug
34	56462074	2	Seal, Weatherpack
35	56462360	1	Shroud, Delphi . W.P. 2 Way
36	56459264	2	Terminal, Weather Pack, Male
37#	7-13-07097	10	Clip, Tool
38#	2-00-04312	10	Screw, HWH 10-24 x .63

# = Revised or new since last update



Item	Ref. No.	Qty	Description
	0780-726		Timed Filter Shaker Option
1	8-64-05011	1	Timer
2	2-00-04897	2	Screw, 10-24 x 1.25 long
3	2-00-00426	2	Flat Washer, .500 x .219 x .063
4	2-00-01246	2	Nut, 10-24 Elastic Stop

**Main Broom:****PN8-08-03180 Proex & Wire (STD.) (8 Double Rows)**

This broom has a more aggressive cleaning action, used to pick up heavier debris.

**PN8-08-03193 Nylon (Optional) (8 Double Rows)**

General purpose broom that can be used for all types of light soil. High wear material so uneven surfaces do not cause excessive wear. Nylon has a high heat deflection temperature, is chemical resistant and will absorb water in wet conditions. Truly a general purpose broom.

**PN8-08-03190 Proex (Optional) (8 Double Rows)**

Synthetic fiber made of polypropylene designed to pick up paper, gravel, sand and other lighter less bulky litter.

**PN8-08-03198 High Density Fibre/Wire (Optional)**

Fiber and wire bristles offer dust control from the natural vegetable fibers and a light cutting action from the crinkle wire. Designed for applications with fine dust and light compacted soilage.

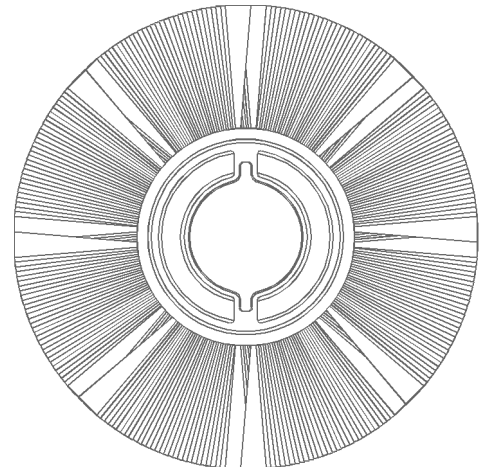
**PN8-08-03196 High Density Nylon (Optional)****PN8-08-03200 Polypropylene (Optional) (8 Double Row)****Side Broom:****PN8-08-03107 Polypropylene (STD. on Variable Dump)**

The side broom function is to sweep the dirt and debris away from the curb, wall, pallet, etc. into the path of the main broom.

**PN8-08-03177 Nylon (Optional)****8 Double Row**

Length.....**50" (127 cm)**

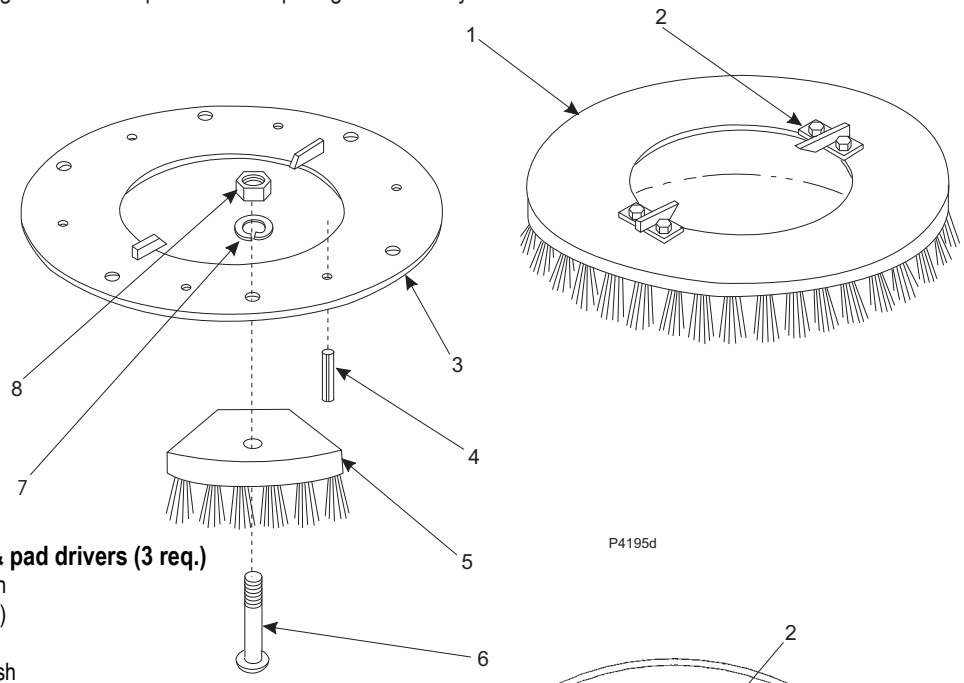
Diameter.....**14" (35.5 cm)**



Diameter.....**24" (60.9 cm)**

We provide brushes and pad holders that will give you the best possible performance between machine and floor. Following are descriptions of the materials and their applications when used on the CR .

- SuperGrit:** The most aggressive grit filament available. Used primarily on concrete floors in factories to remove heavy built up soilage. The color of the filament is orange with bristle diameter of .070 and grit size of 46.
- Clean Grit:** The most widely used grit filament. Ideal for concrete or sealed concrete surfaces. The color of the filament is blue with a bristle diameter of .050 and a grit size of 80.
- Soft and Black Nylon:** Resistant to many chemicals. Do not use with acids. Soft nylon is used for light cleaning and Black nylon is used where a more aggressive brush is required combined with a long life. Soft nylon is white and blacknylon is black.
- Polypropylene:** Used for general purpose scrubbing of most hard surfaces. Commonly offered in .040" diameter bristles. Color is black.
- Straight Wire:** Used when scrubbing floors with impacted build up. A grit brush may be a better alternative.



Item	Ref. No.	Qty	Description
------	----------	-----	-------------

**Disc Brushes: 18" one piece disc brushes & pad drivers (3 req.)**

1	7-08-03170-1	3	Black Nylon Brush
1	7-08-03172-1	3	Polypropylene (.040)
1	7-08-03269	3	Clean Grit Brush
1	7-08-03173-1	3	Straight Wire Brush
1	7-08-03205-1	3	Super Grit (60/45/25) Brown
1	7-08-03262-1	3	Soft Nylon Brush

**Sectional Brushes:**

3	0760-284	3	Brush Plate Attachments
4	2-00-04221	6	Pin, Spring

**Plastic Back: (18 req. per machine. Must also order 3 Brush Plates)**

5	7-08-03207	18	Super Grit
5	7-08-03193	18	Straight Wire
5	7-08-03194	18	Nylon (Black)
5	7-08-03248	18	Soft Nylon
5	7-08-03196	18	Polypropylene/Amerfil (.040)
5	7-08-03197	18	Amergrit
6	2-00-02706	6	Screw, 1/4 - 20 x 1.0 HHM
7	2-00-00518	6	Washer, Helical Spring 1/4 Med
8	2-00-00594	6	Nut, Hex 1/4 - 20 x .437 x .218

**Pad Driver Assembly: 0772-074**

Individual service pieces which can be ordered separately include:

2	7-45-05026	Lug (2 required)
9	7-70-00098	Center-Lok III









## **American-Lincoln®**

14600 21<sup>st</sup> Avenue North  
Plymouth, MN 55447-3408  
[www.americanlincoln.com](http://www.americanlincoln.com)  
Phone: 800-331-7692  
Fax: 877-877-2586  
©2008 American-Lincoln