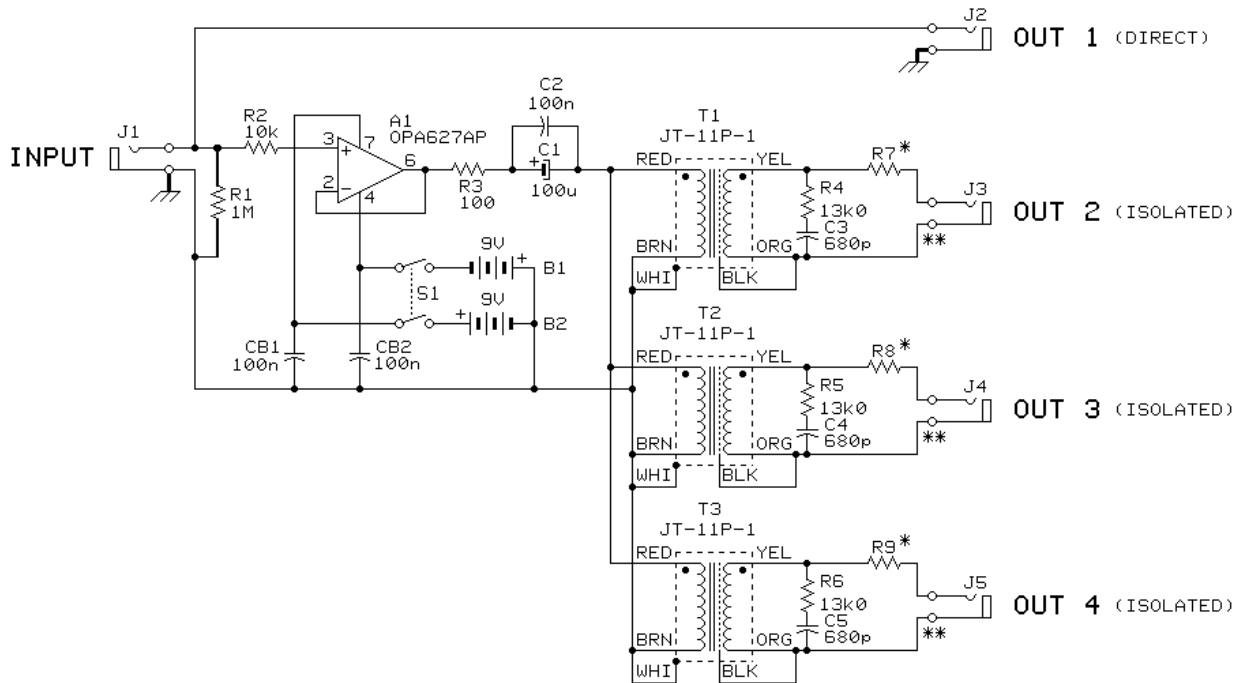


4 WAY ACTIVE GUITAR "SPLITTER" or DISTRIBUTION AMPLIFIER



A LOWER COST OP-AMP, SUCH AS THE LF356N, MAY BE SUBSTITUTED FOR A1. ITS SLIGHTLY HIGHER NOISE (HISS) WILL BE INSIGNIFICANT UNLESS THE DC RESISTANCE OF THE PICKUP IS UNDER 3 k Ω ,

*R7, R8, AND R9 CAN RANGE IN VALUE UP TO 50 k Ω OR CAN BE 50 k Ω POTENTIOMETERS. THEY WILL PRODUCE TREBLE ROLL OFF SIMILAR TO THE DIRECT OUTPUT, WITH HIGHER VALUES PRODUCING THE MOST ROLL OFF.

** J3, J4, AND J5 MOUNTING MUST INSULATE THEM FROM THE CHASSIS.

jensen	AS014
	01/11/96
7135 HAYVENHURST AVE. VAN NUYS, CALIFORNIA 91406 (818) 374-5857	