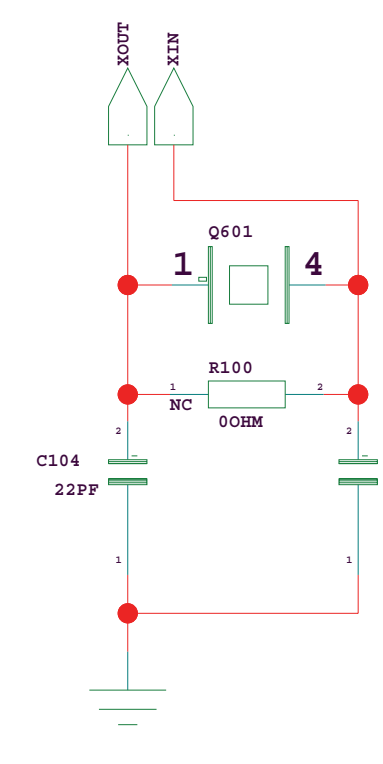
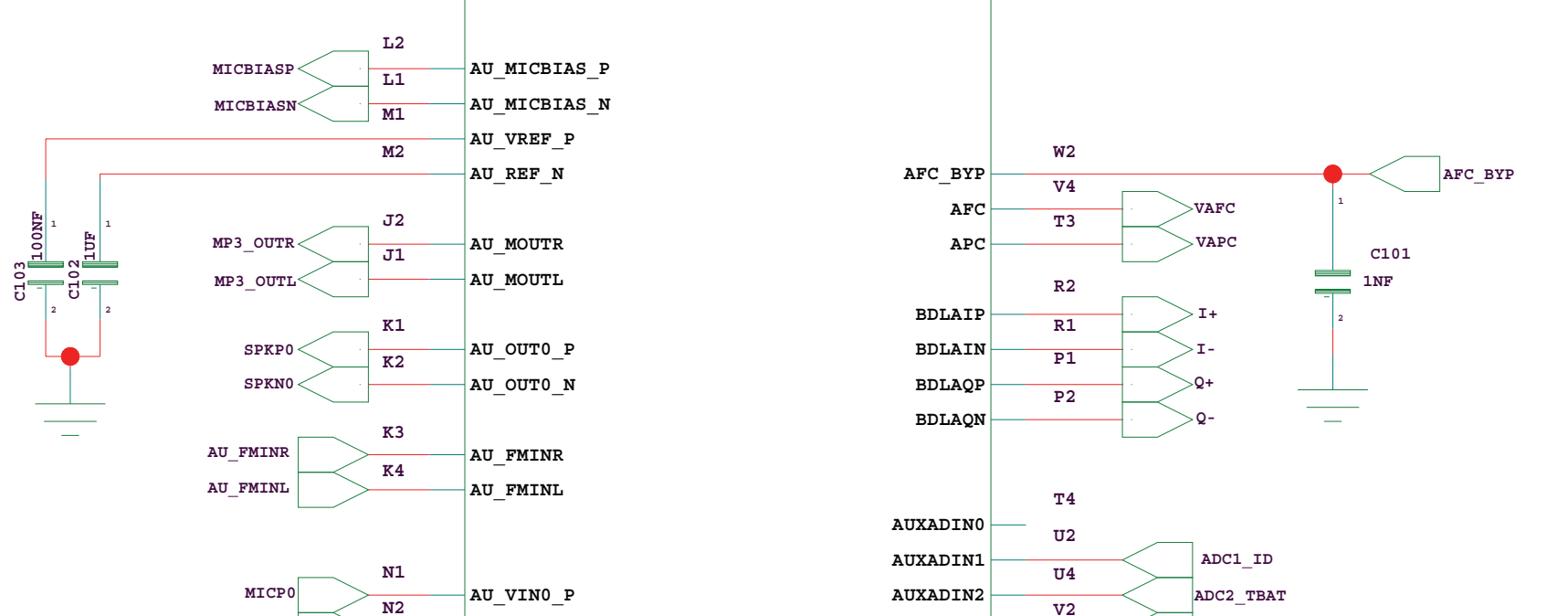
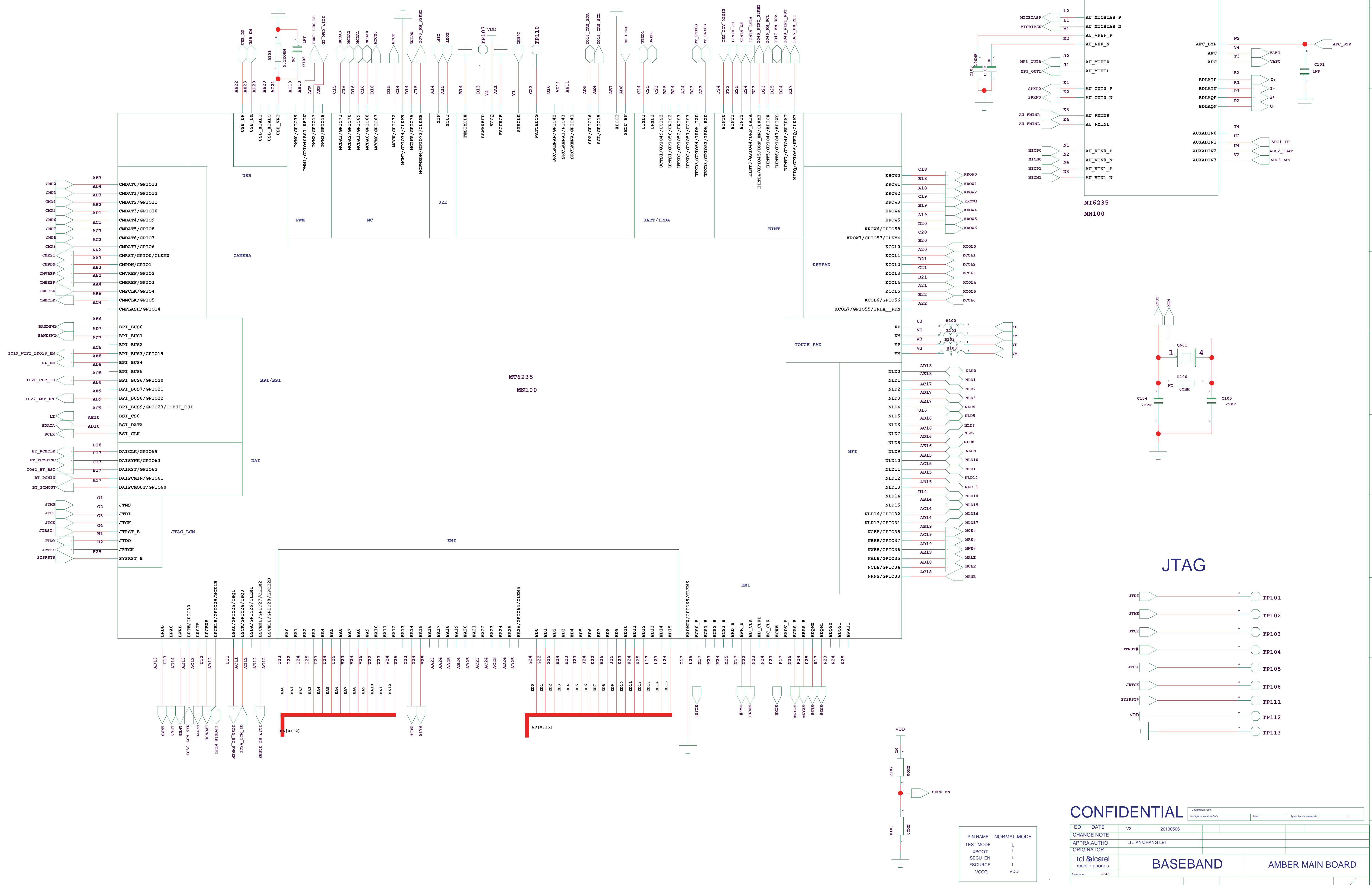
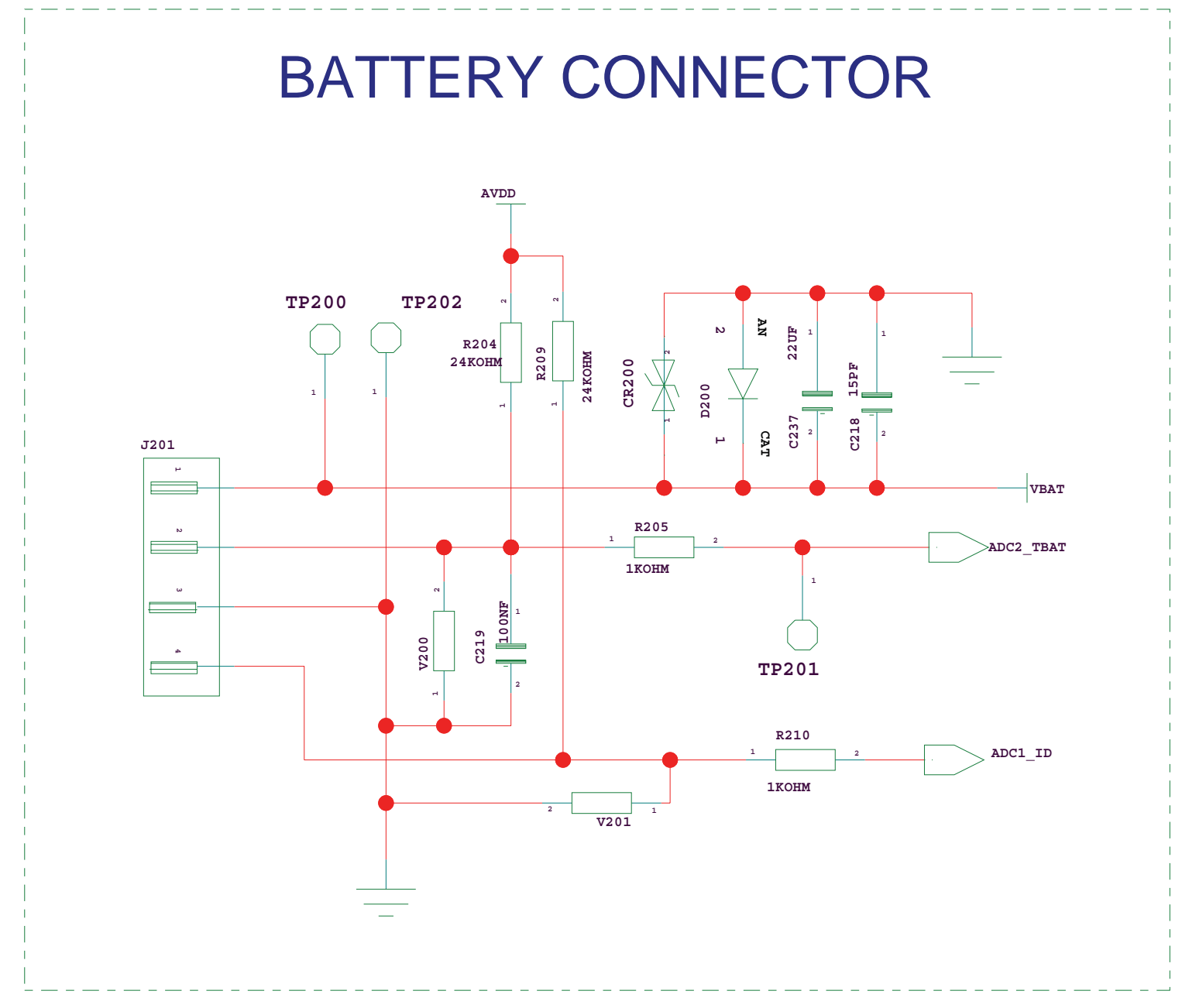
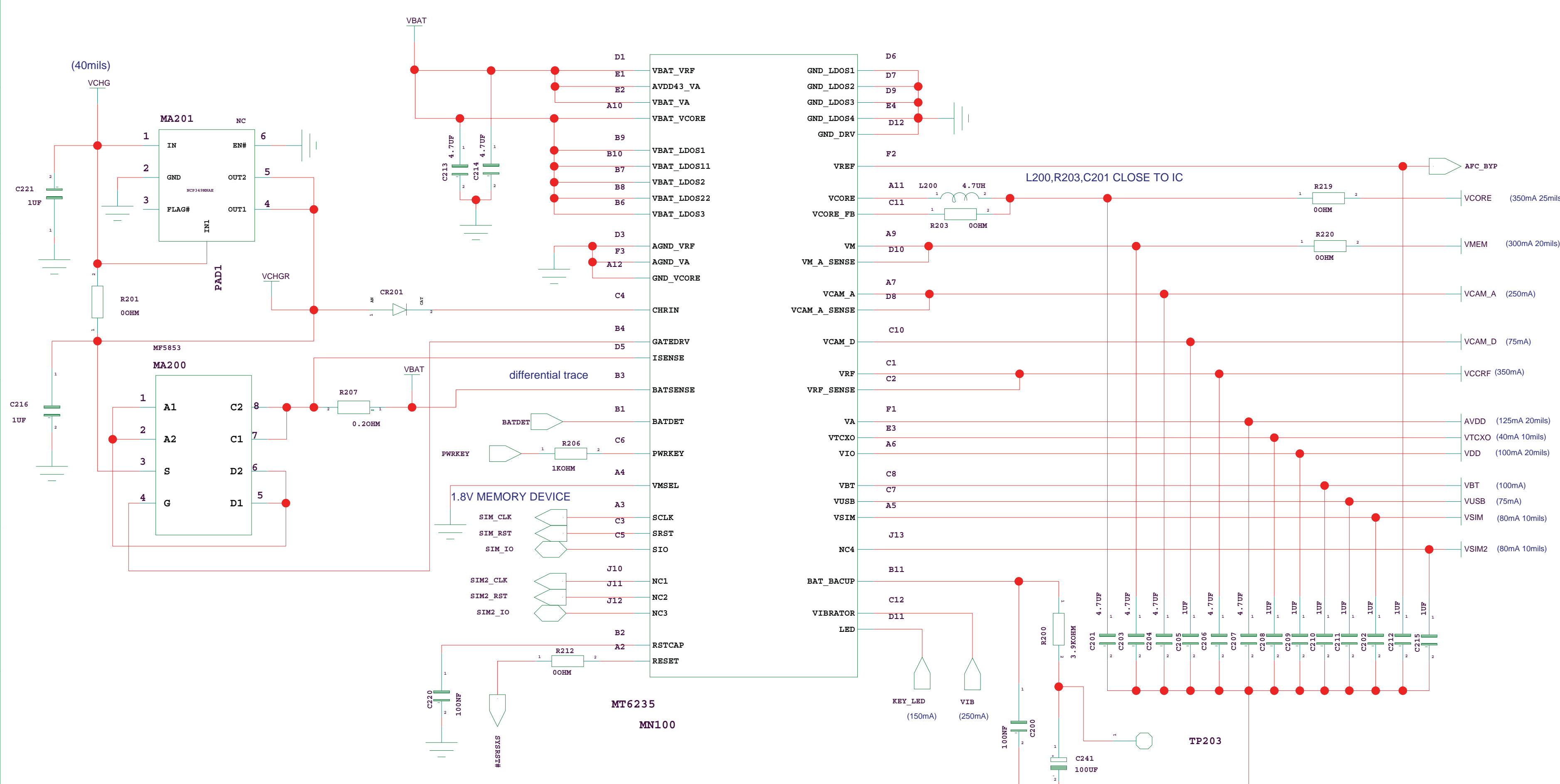


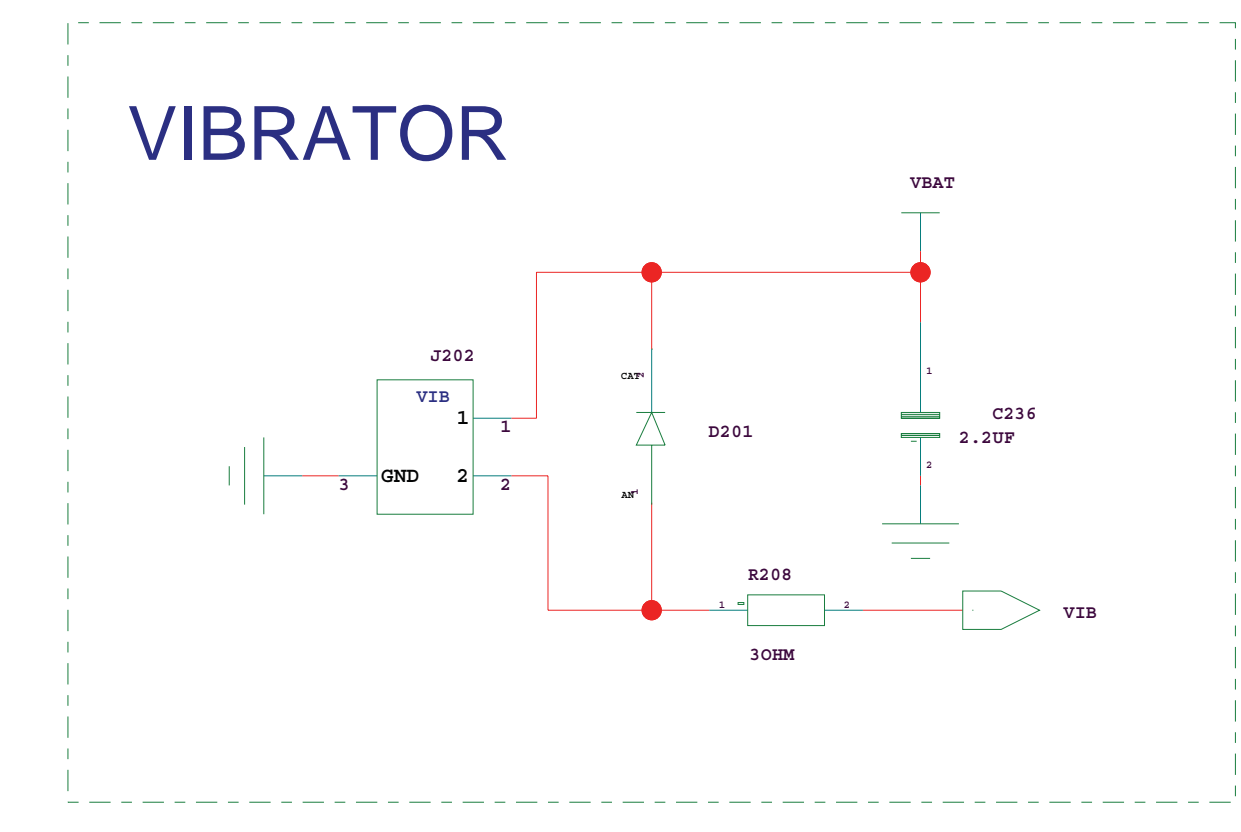
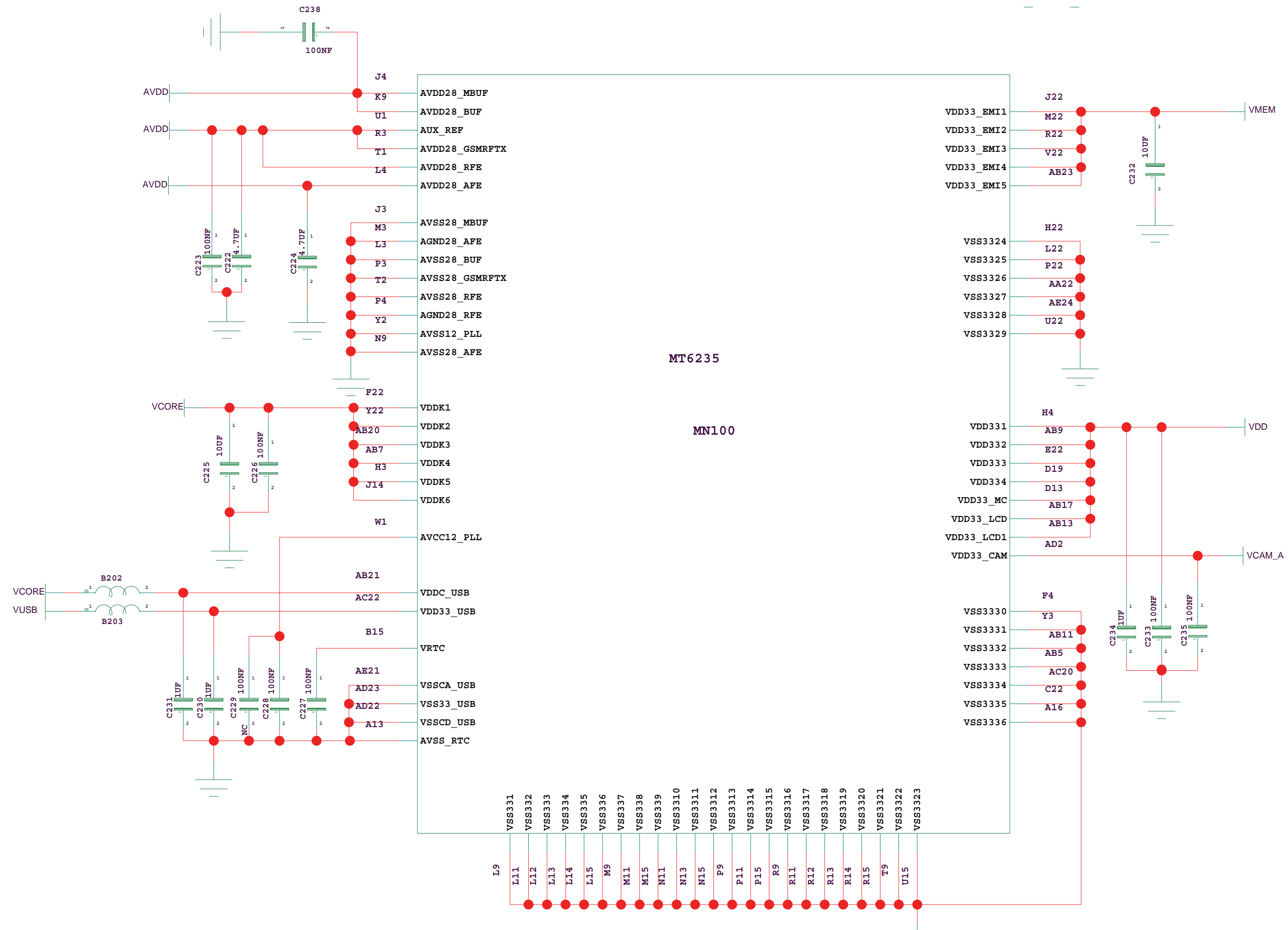
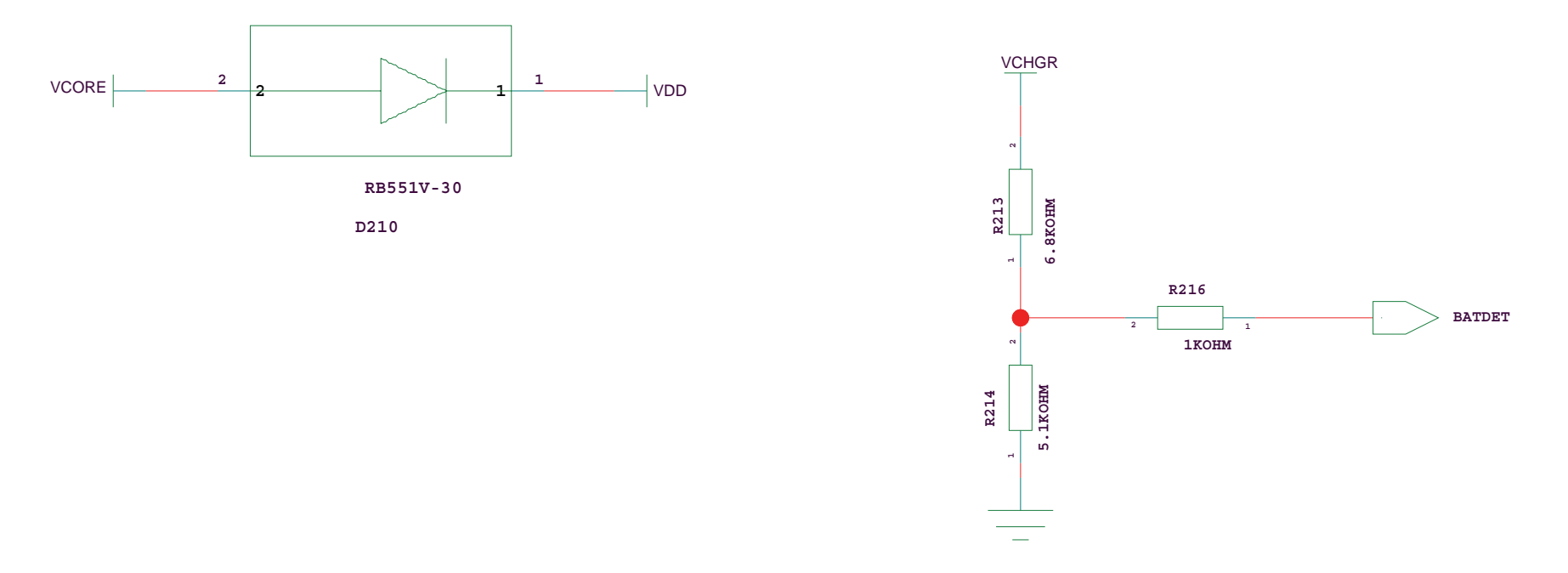
R101 CLOSE TO IC



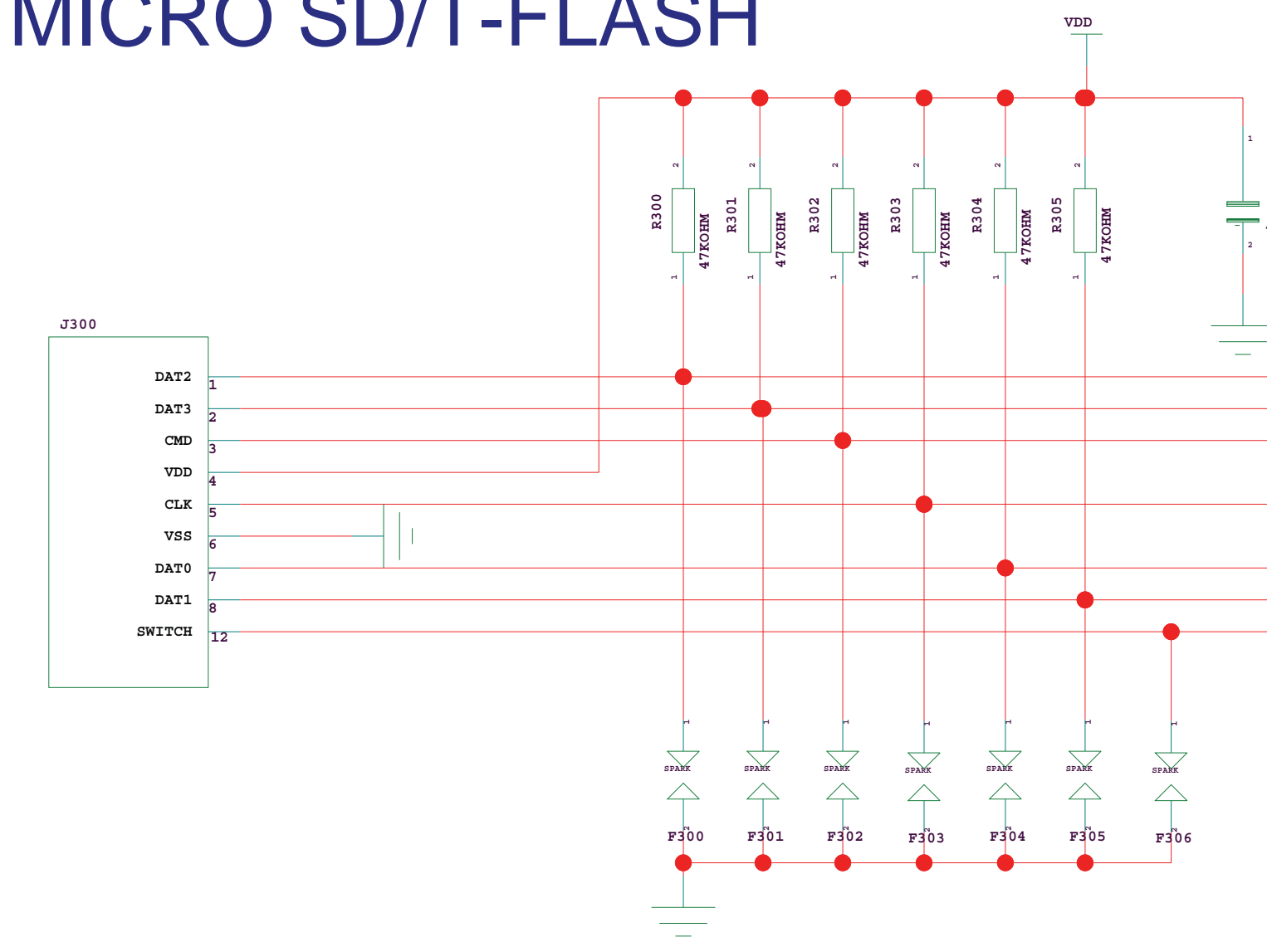
PIN NAME	NORMAL MODE
TEST MODE	L
XBOOT	L
SECU_EN	L
FSOURCE	L
VCCO	VDD



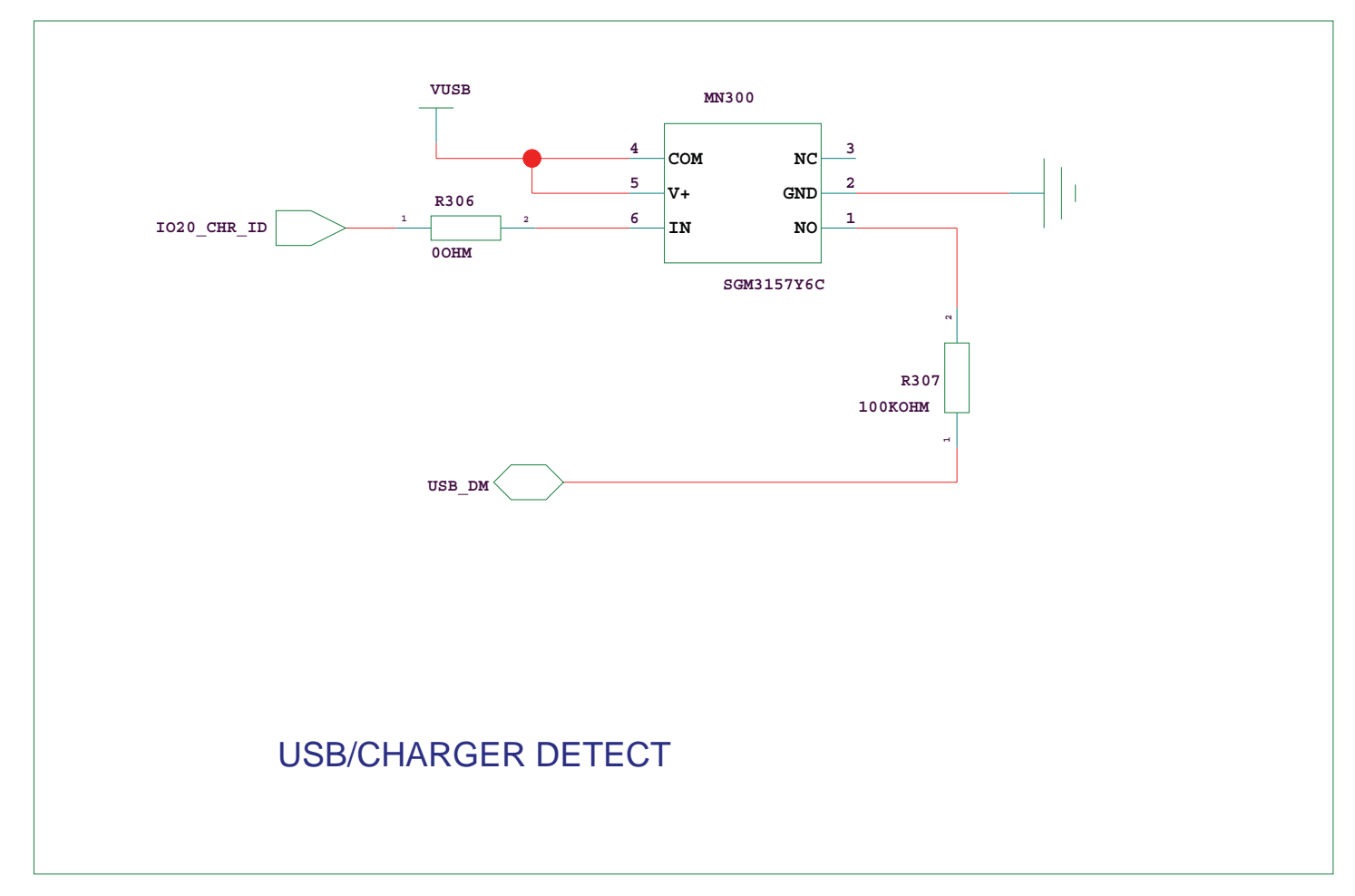
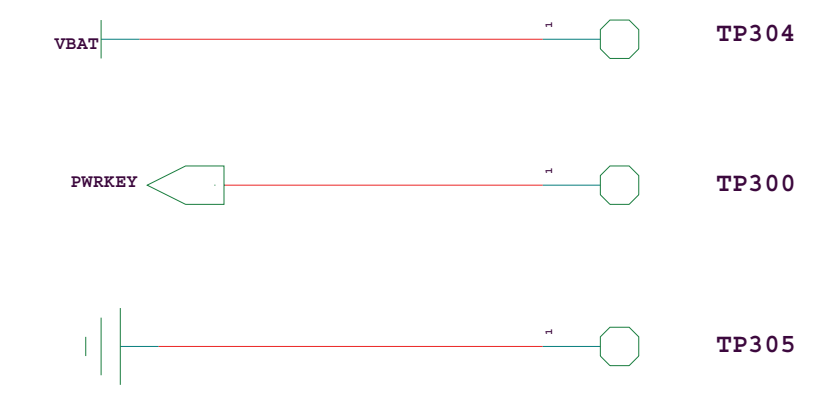
add for charger OVP/battery temp detect(CTA option)



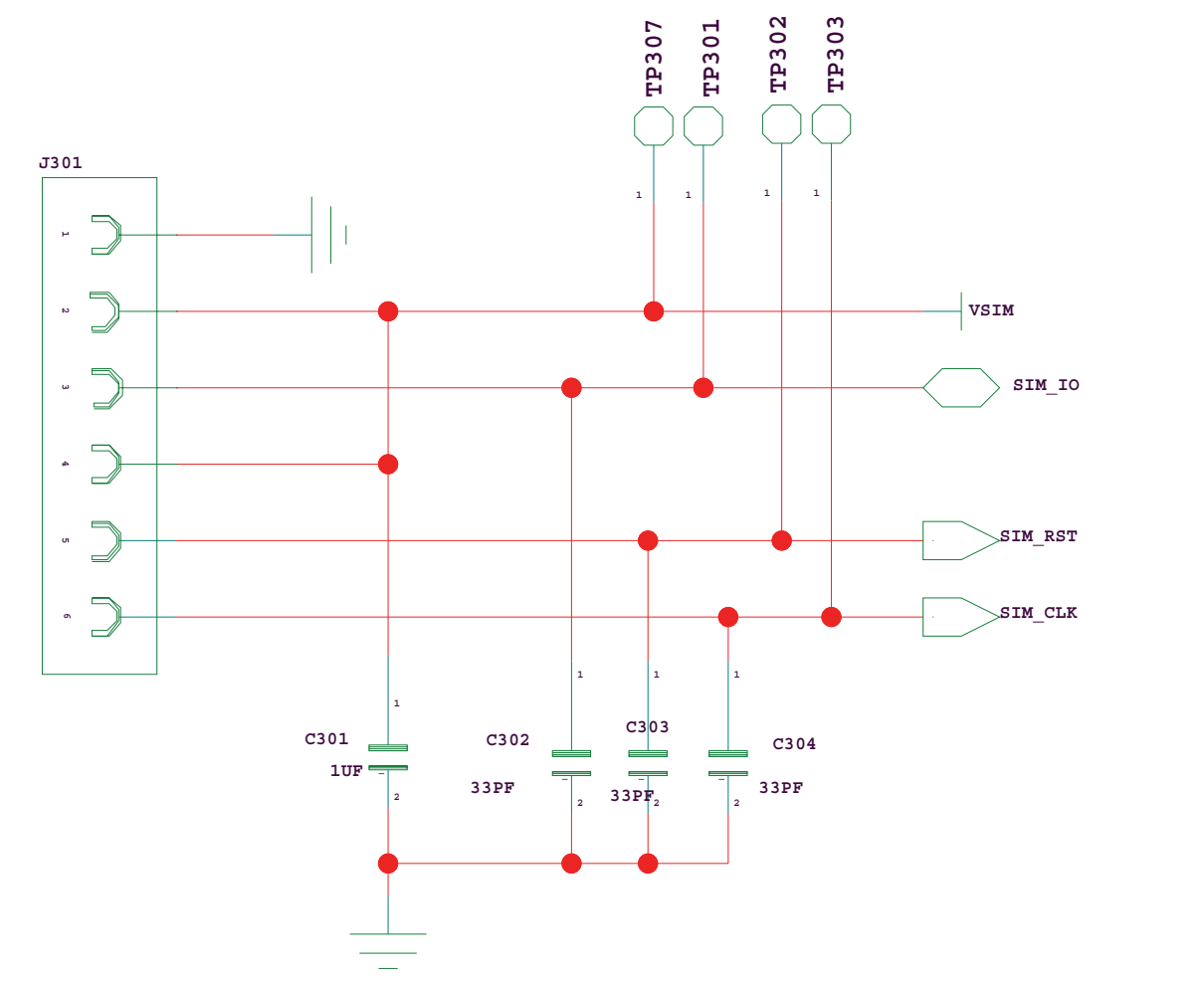
MICRO SD/T-FLASH



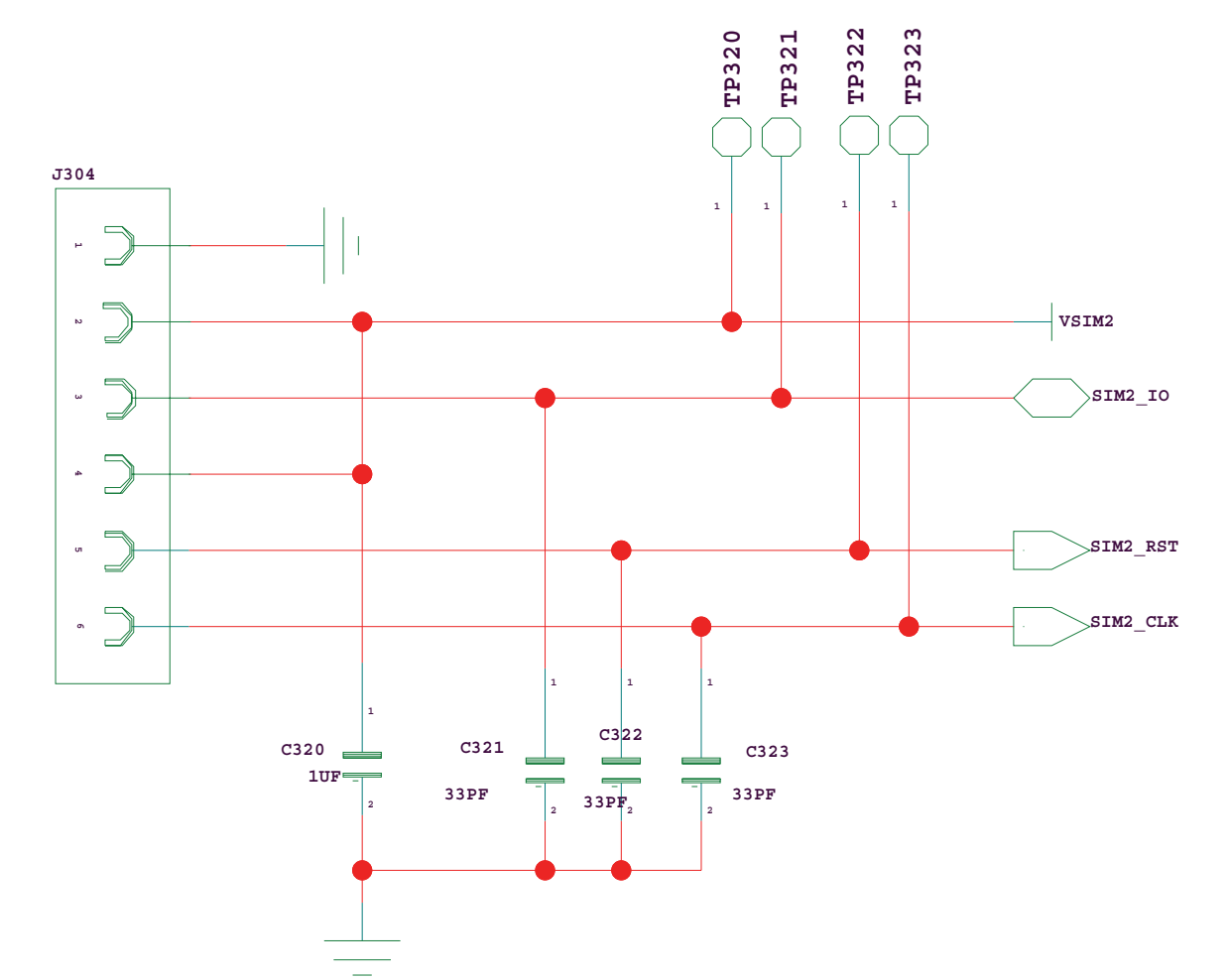
For UART1 Board download



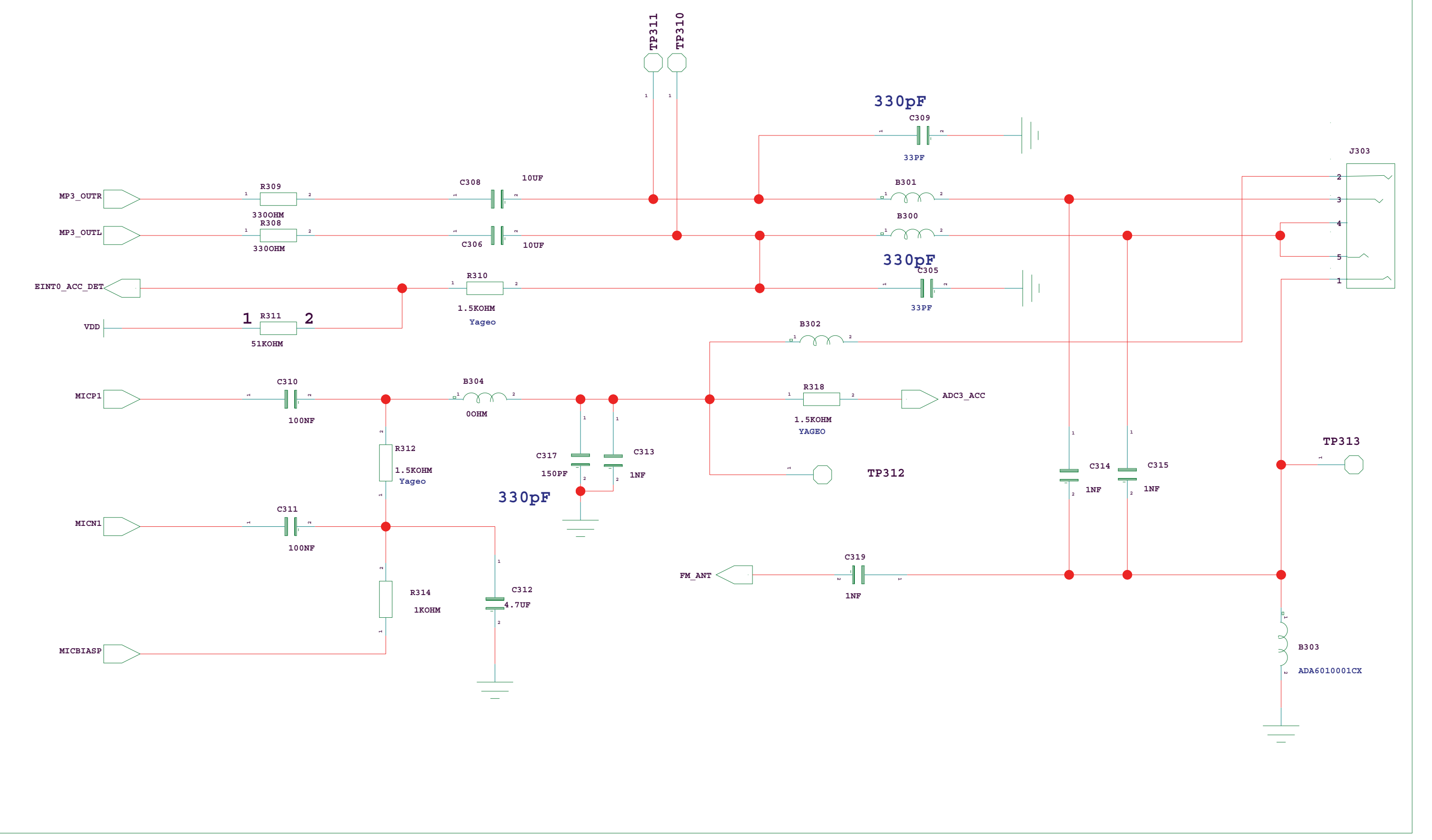
SIM CARD CONNECTOR1



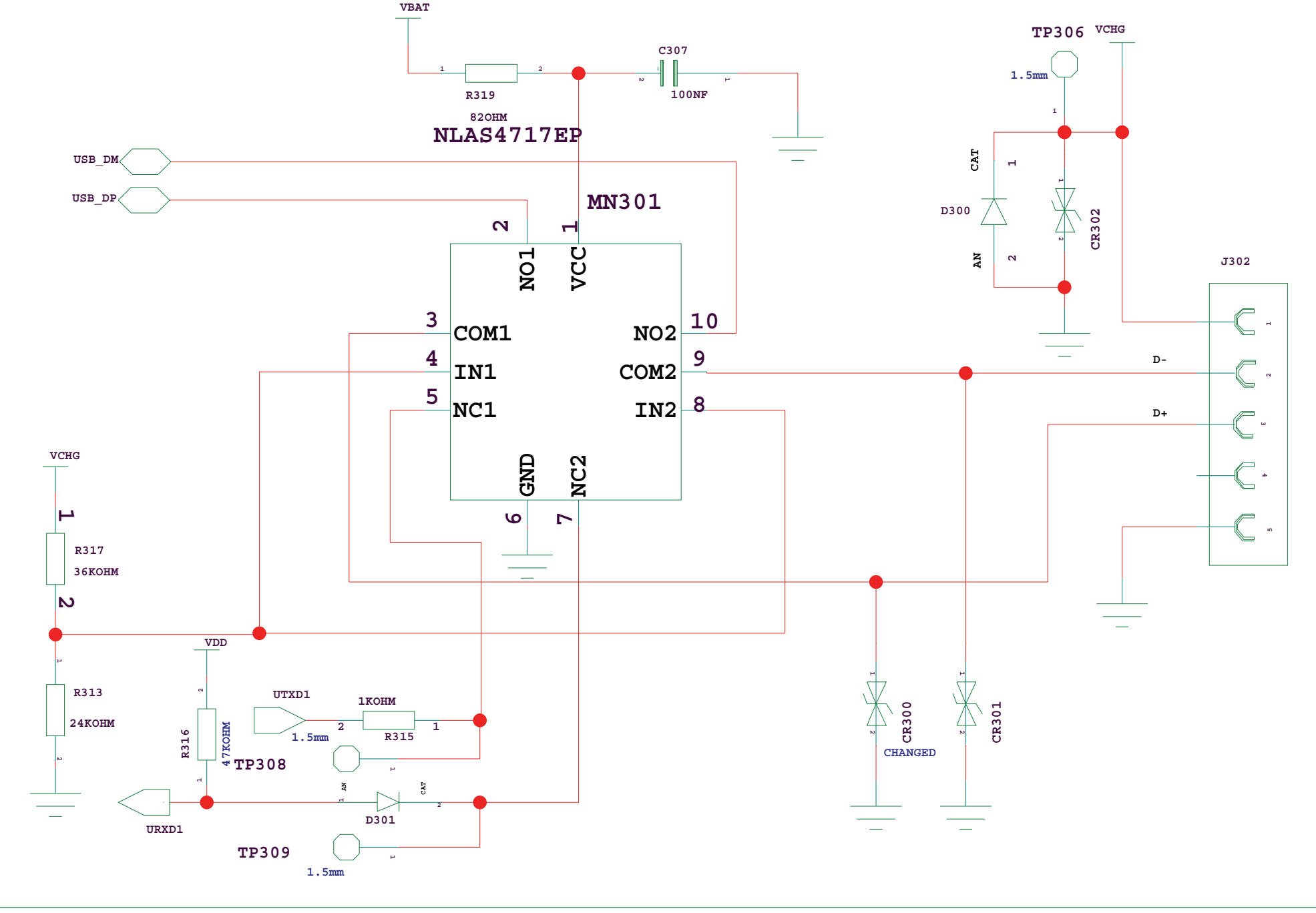
SIM CARD CONNECTOR 2



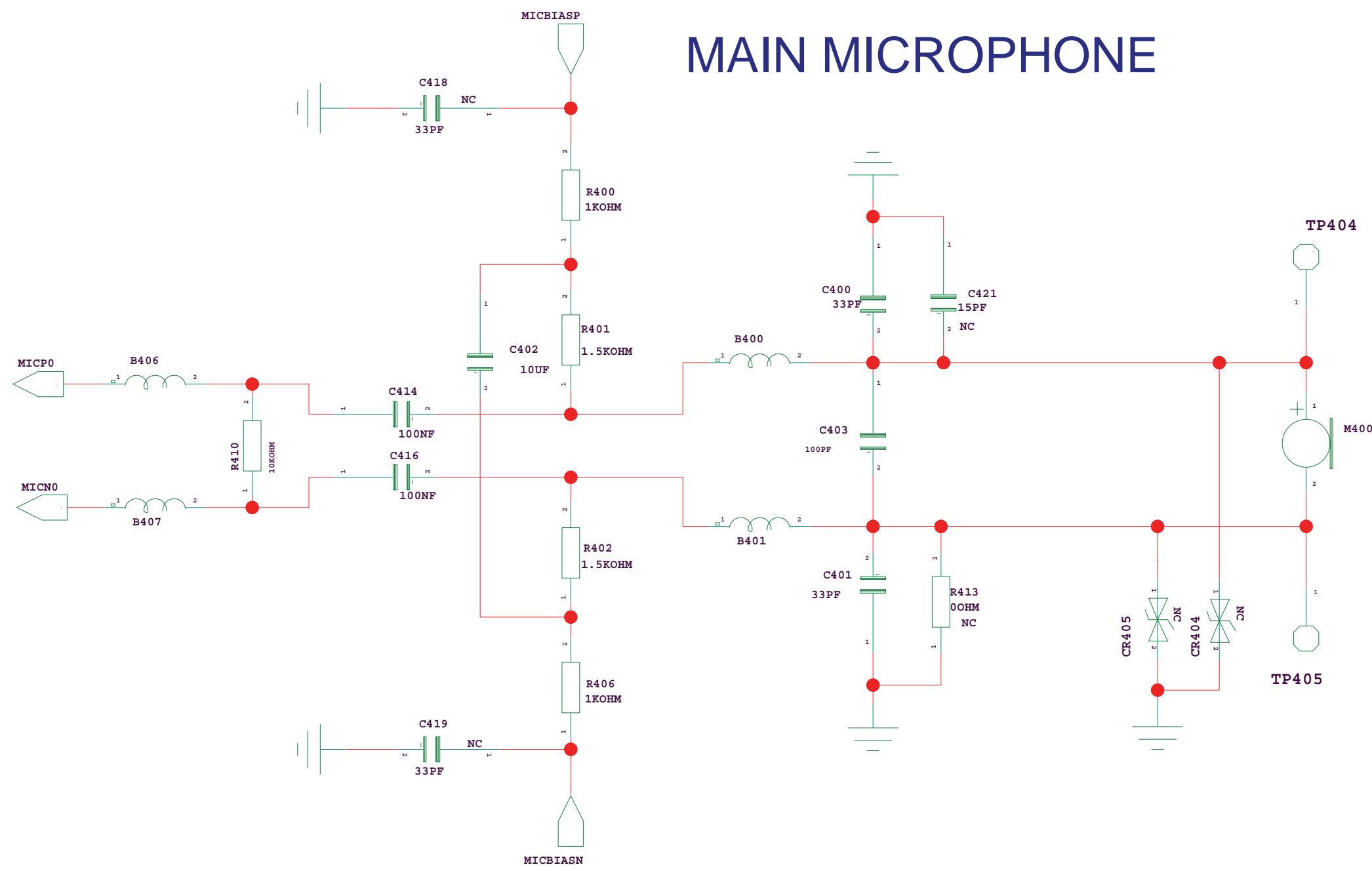
AUDIO JACK



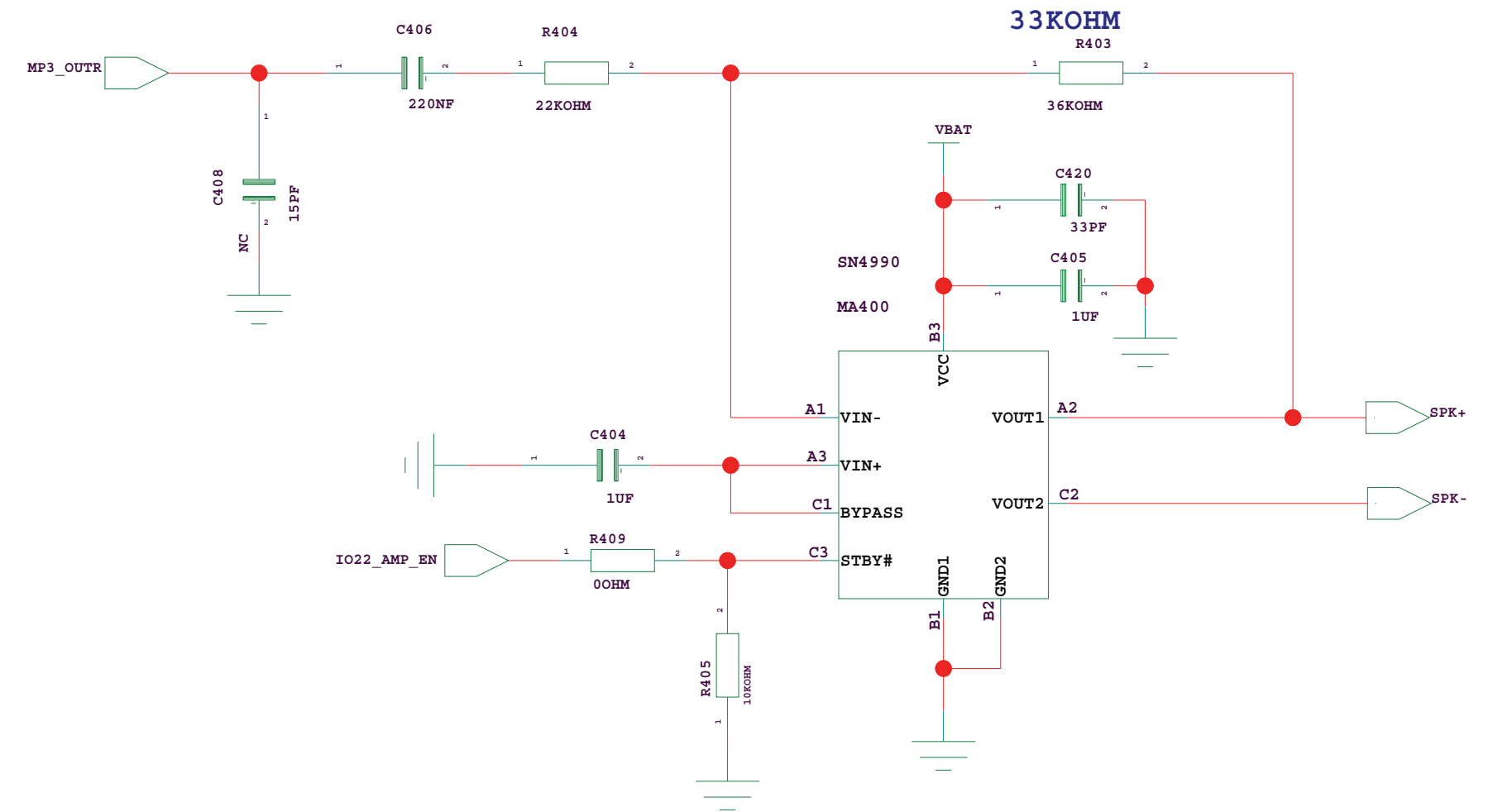
MICRO USB (CHARGE/USB/DOWNLOAD)



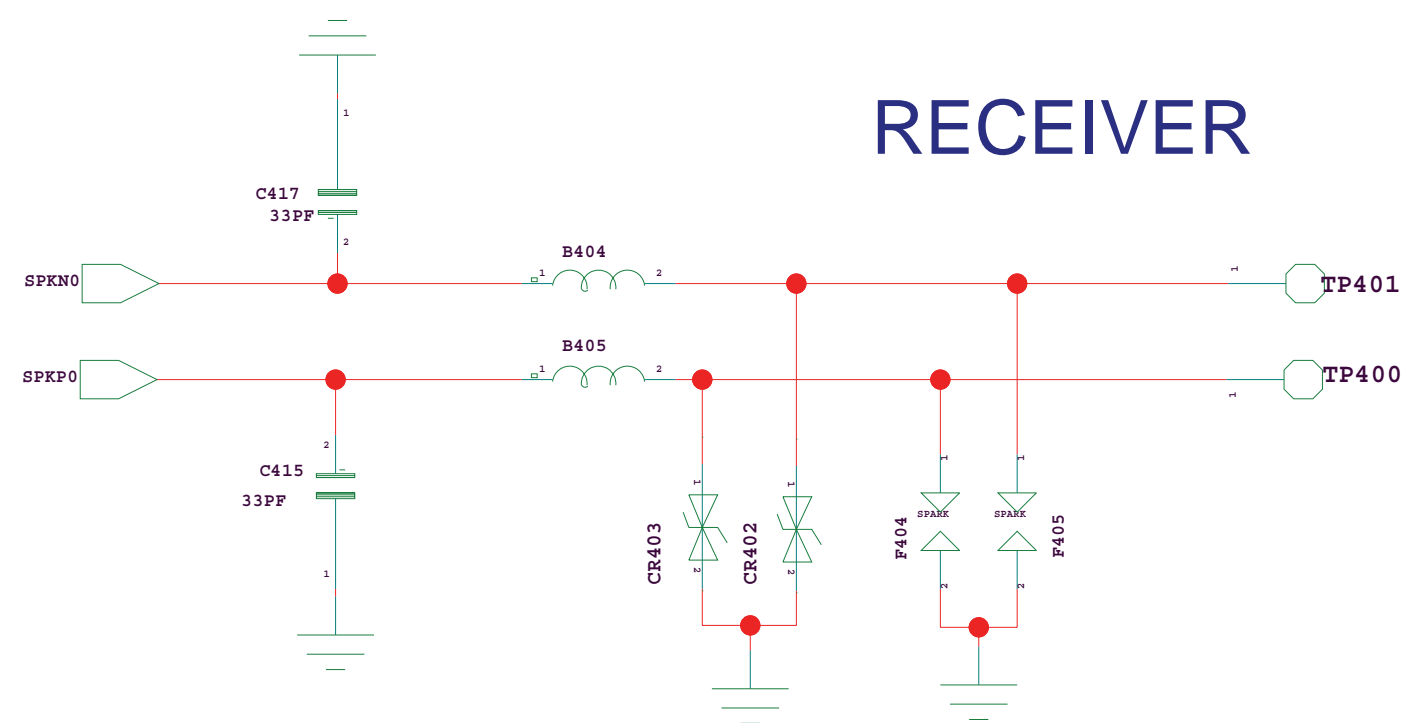
MAIN MICROPHONE



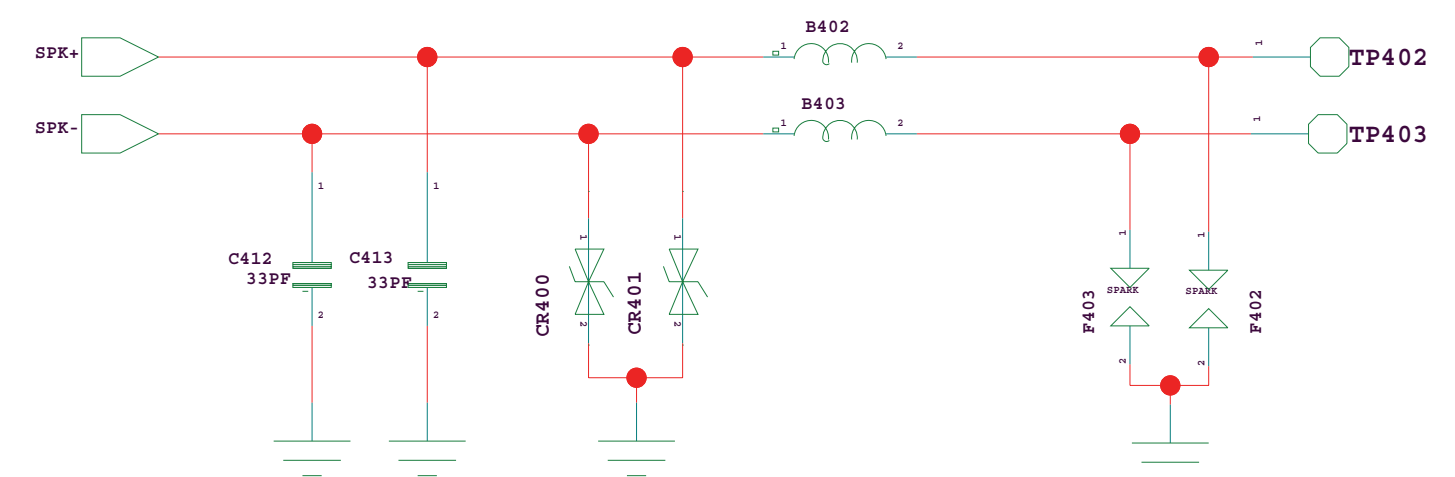
AUDIO PA



RECEIVER

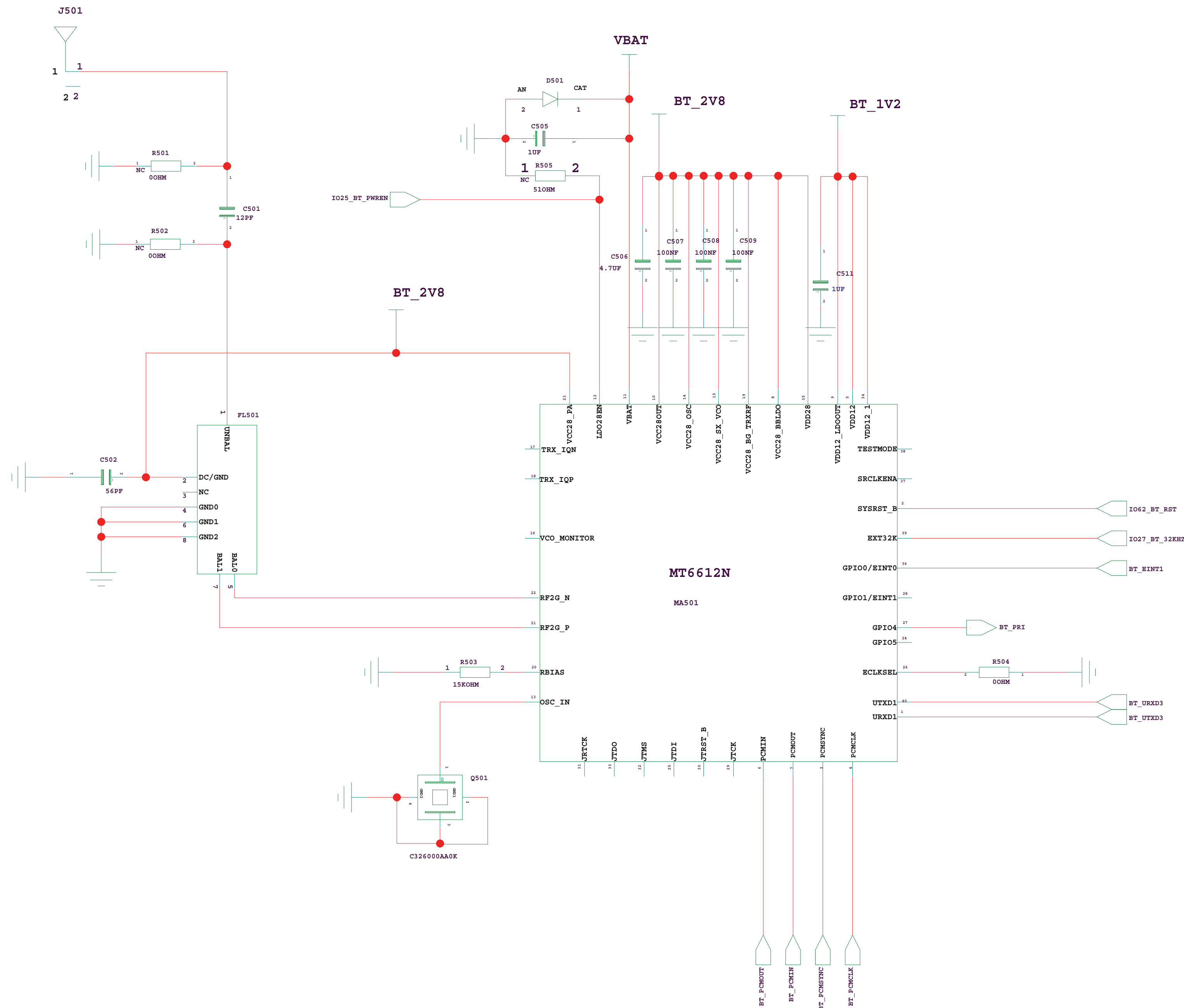


SPEAKER

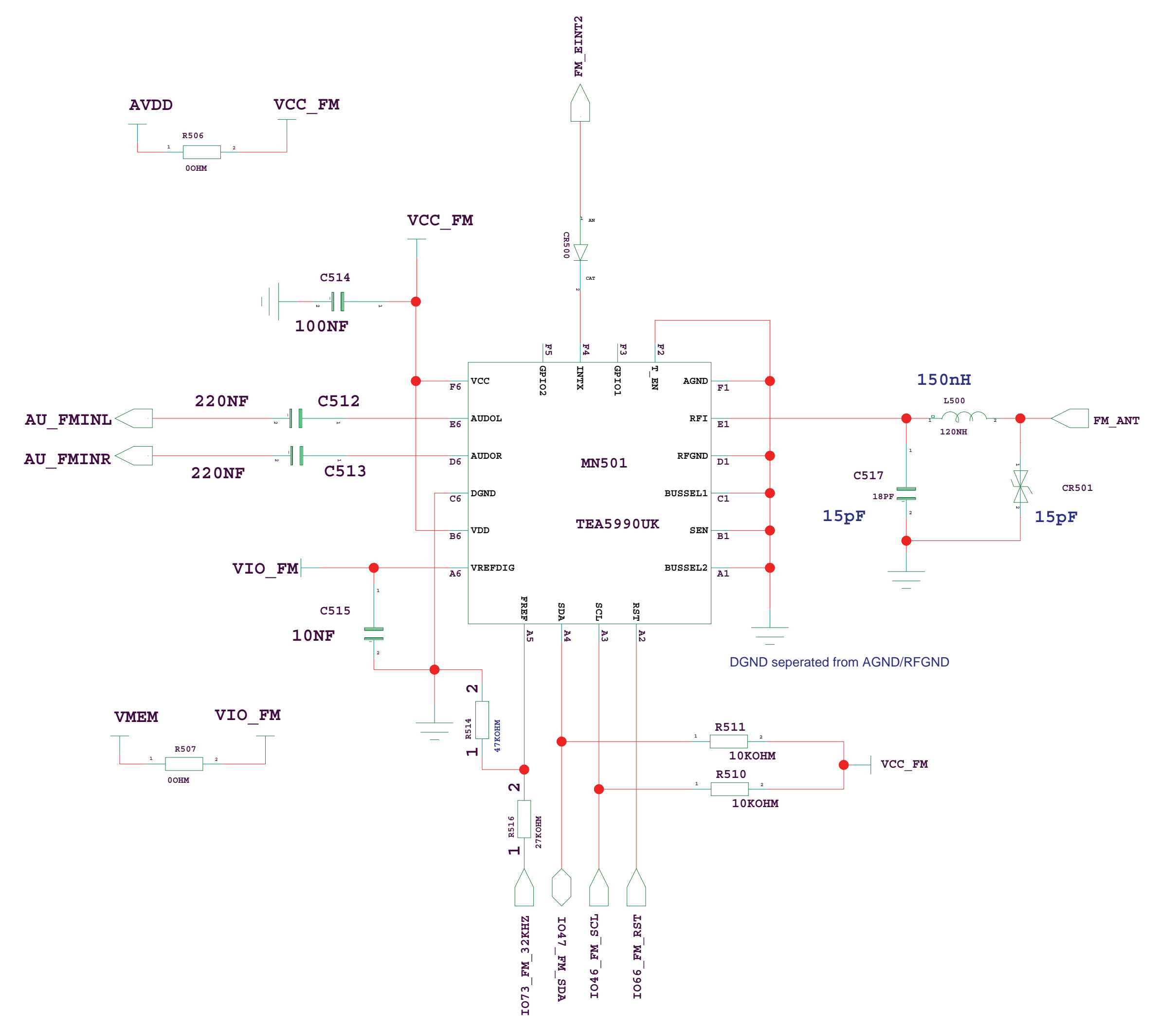


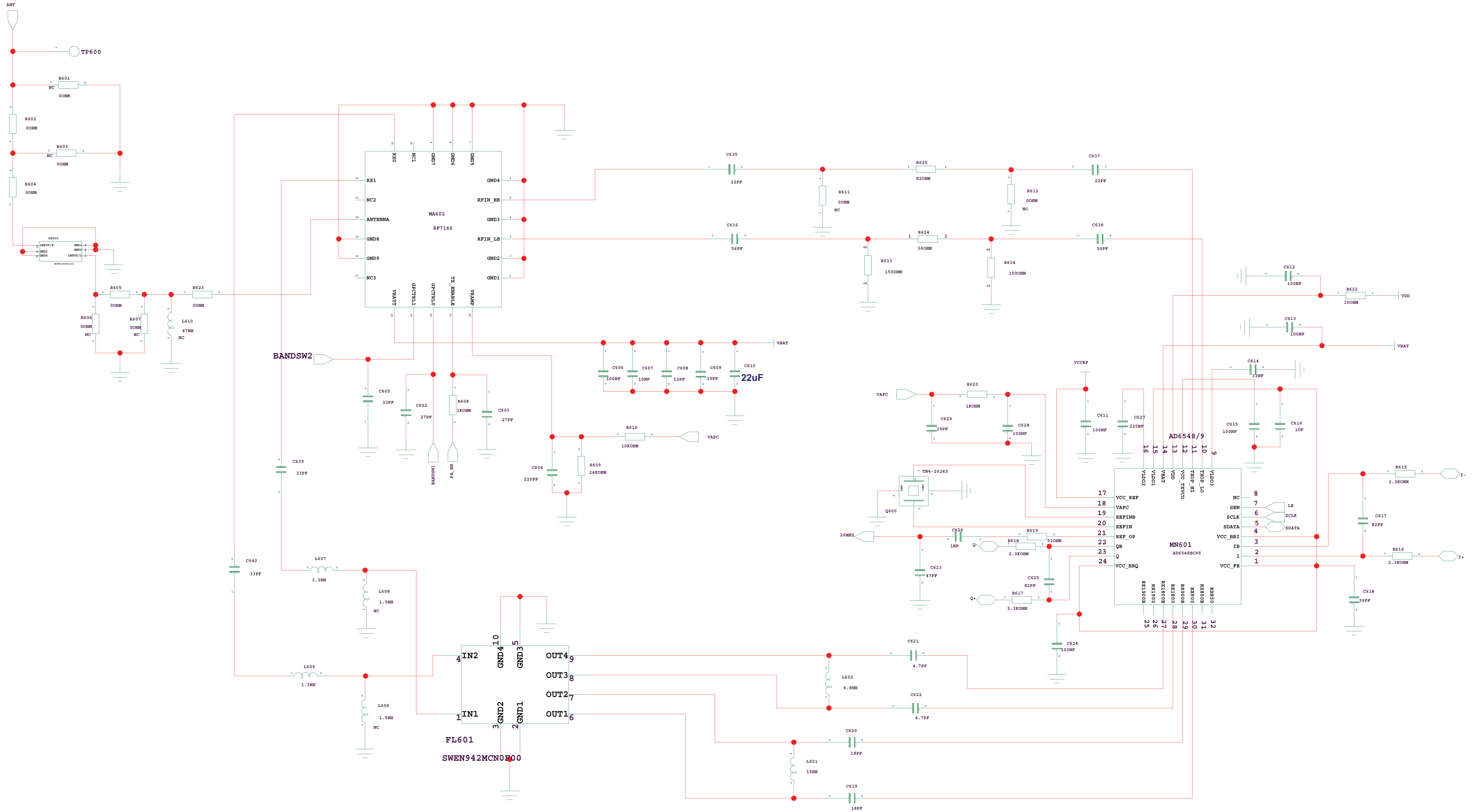
CONFIDENTIAL			
ED	DATE	V3	20100506
CHANGE NOTE			
APPROV.AUTH	LI JIAN/ZHANG LEI		
ORIGINATOR			
tcl & catel mobile phones		AUDIO	
		AMBER MAIN BOARD	

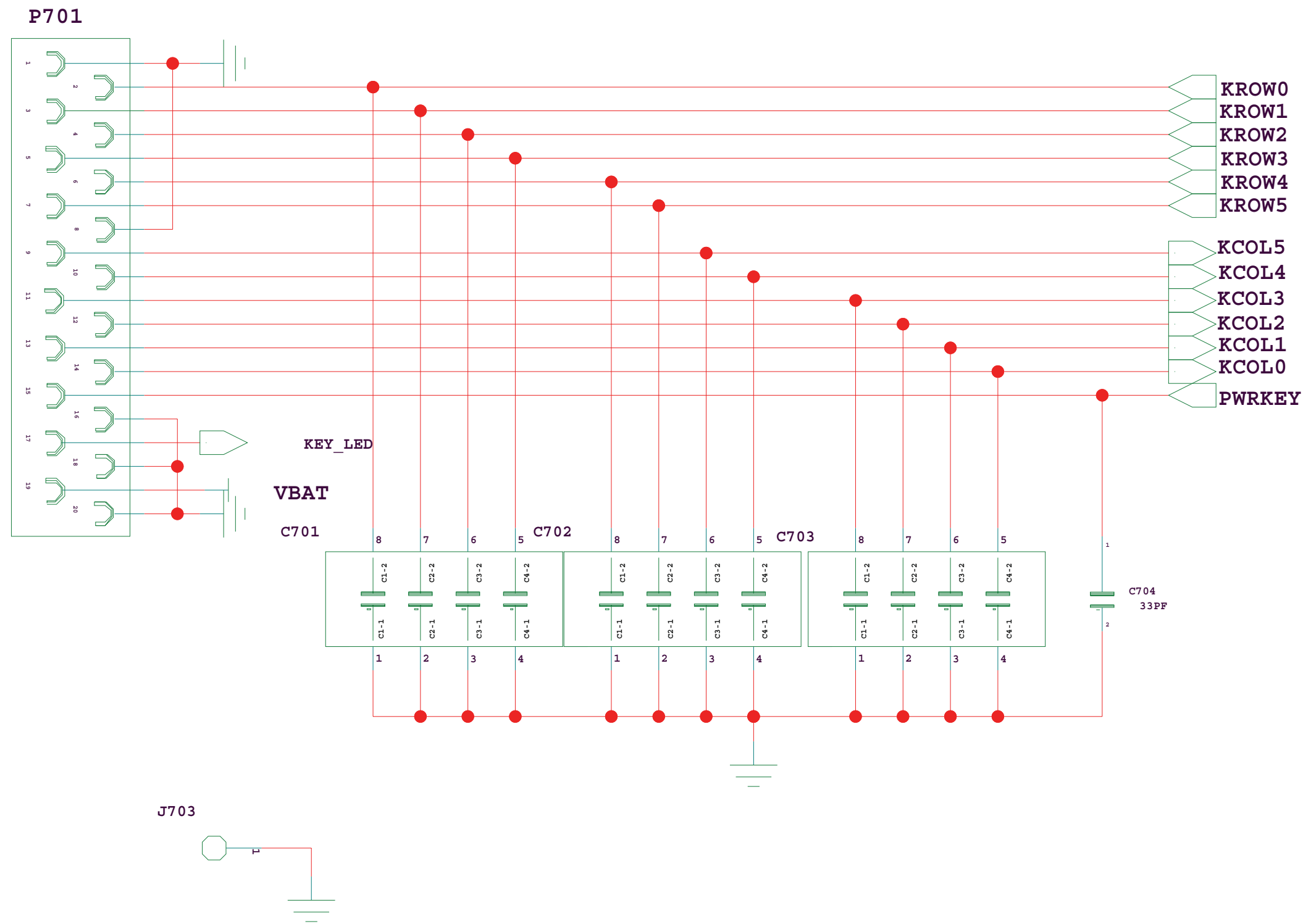
BT



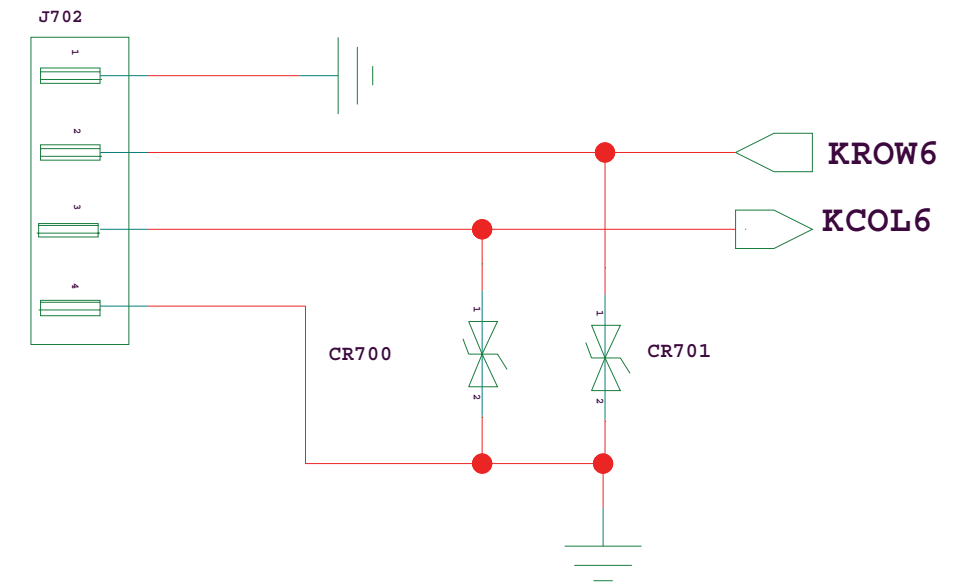
FM



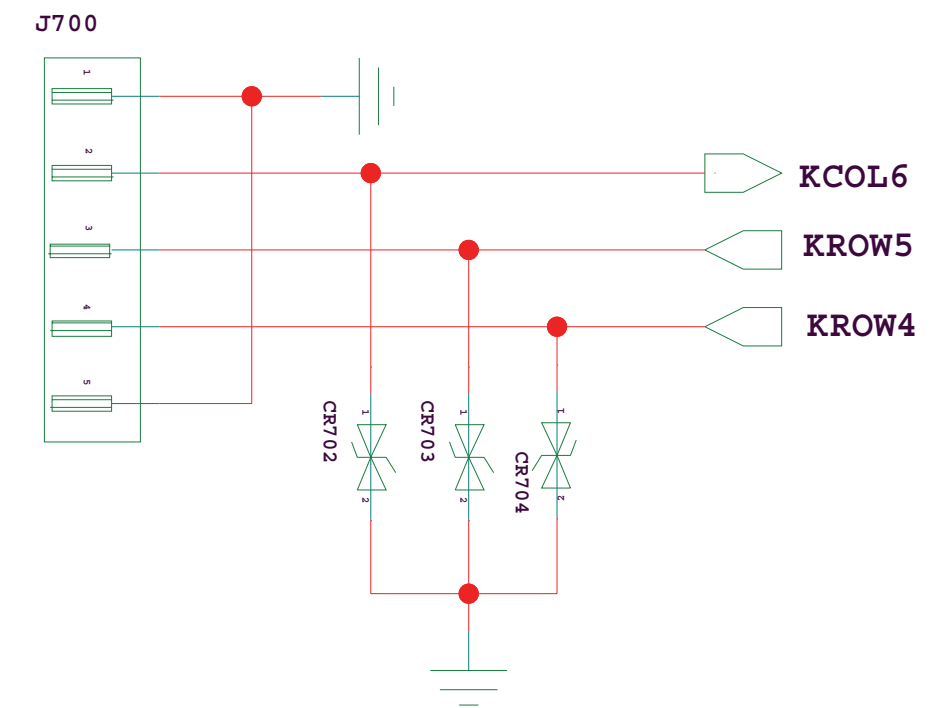




PTT Key



Volume Key

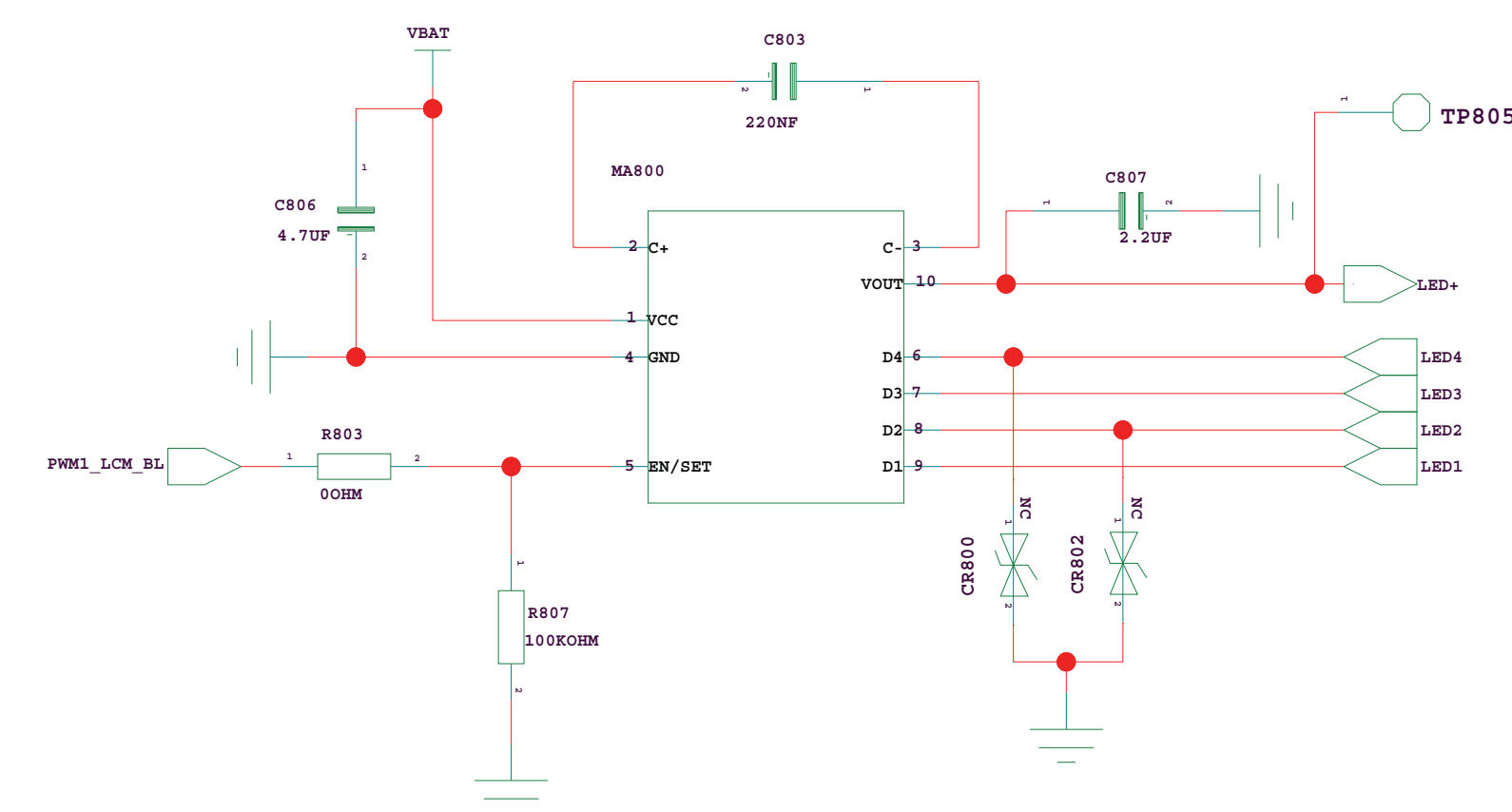
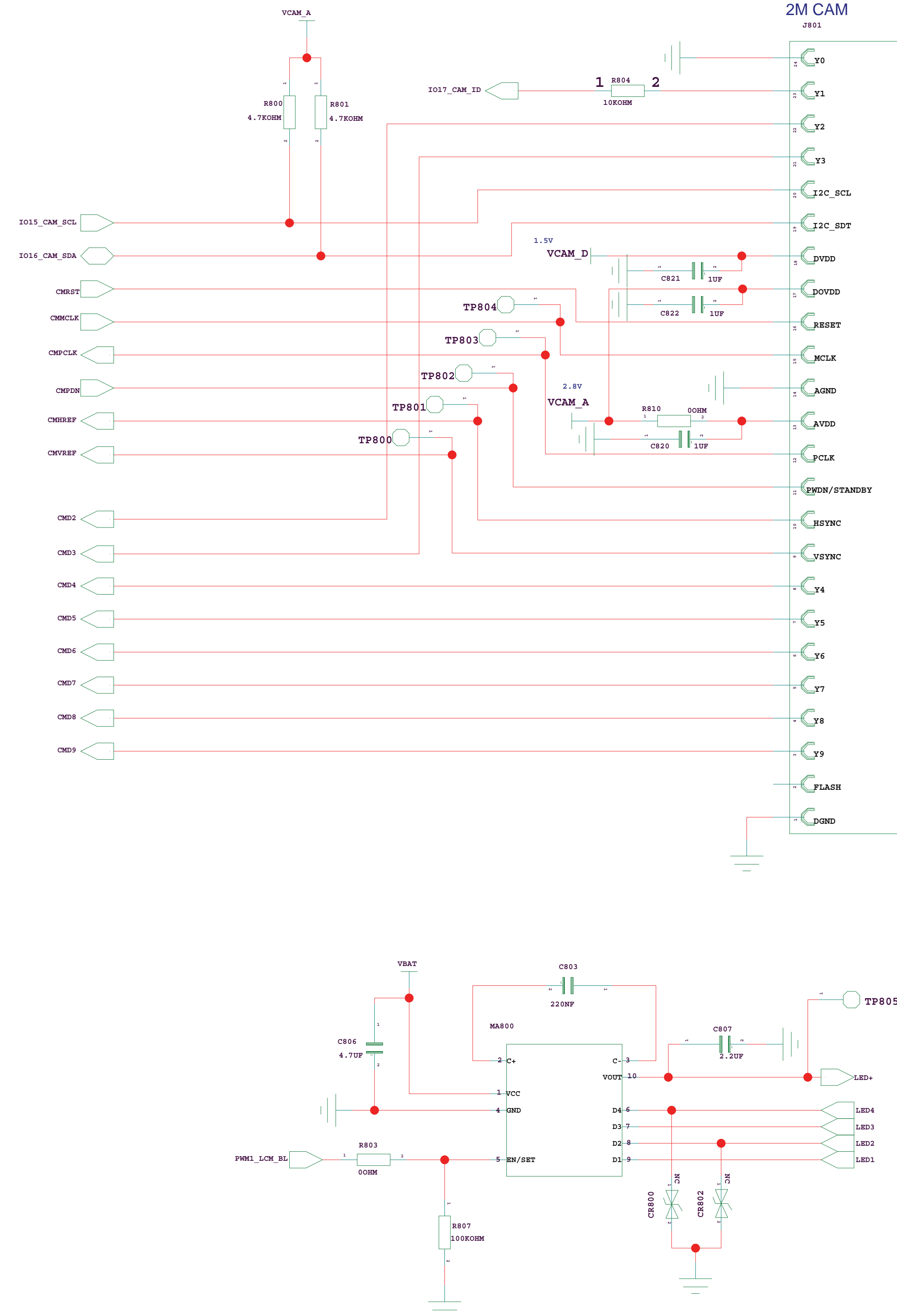
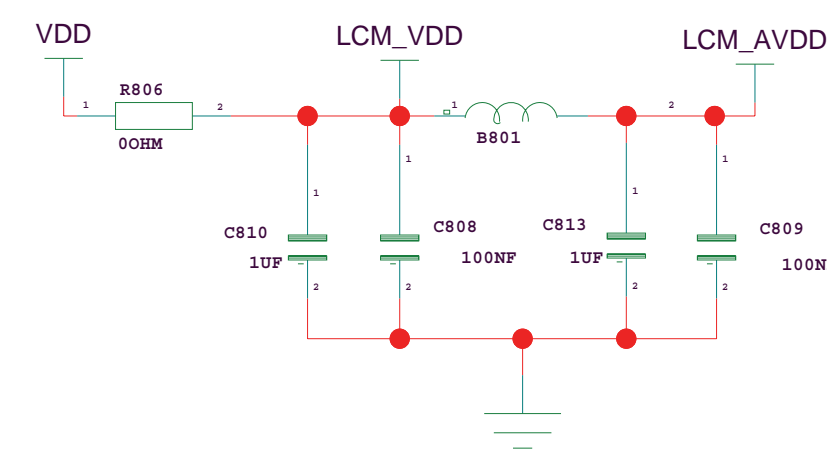
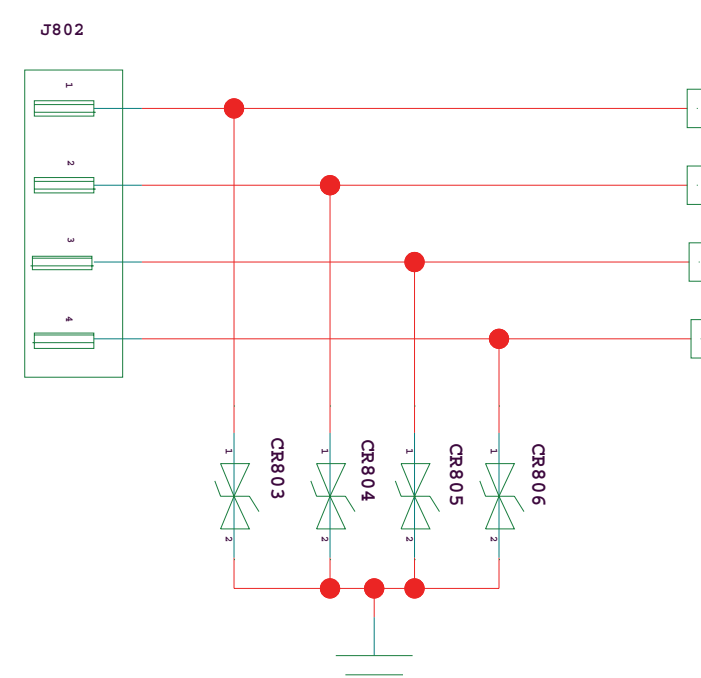
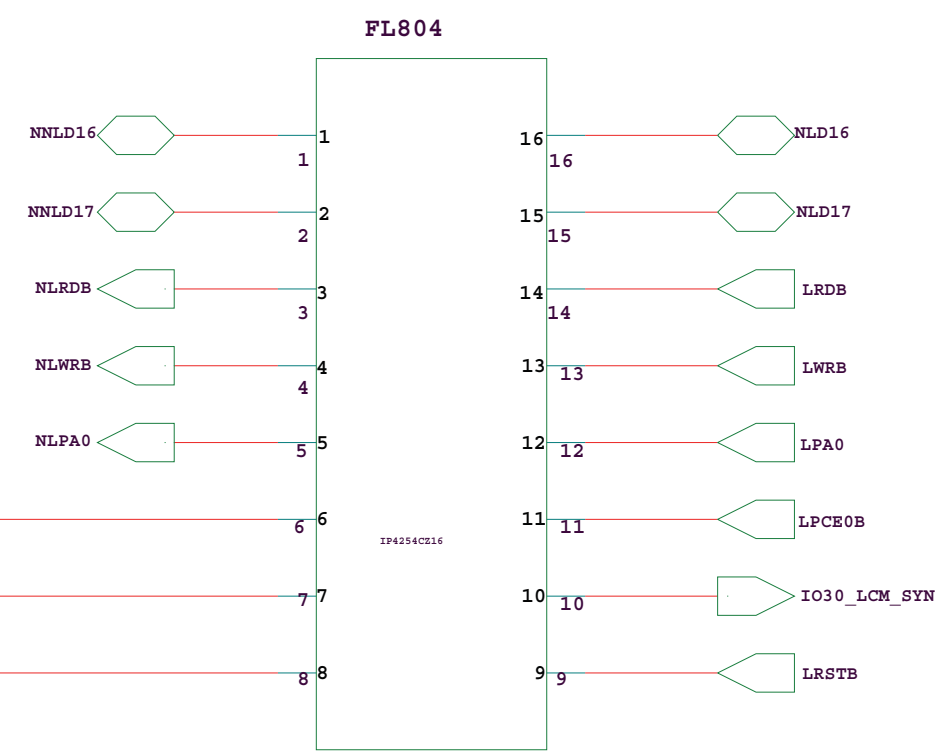
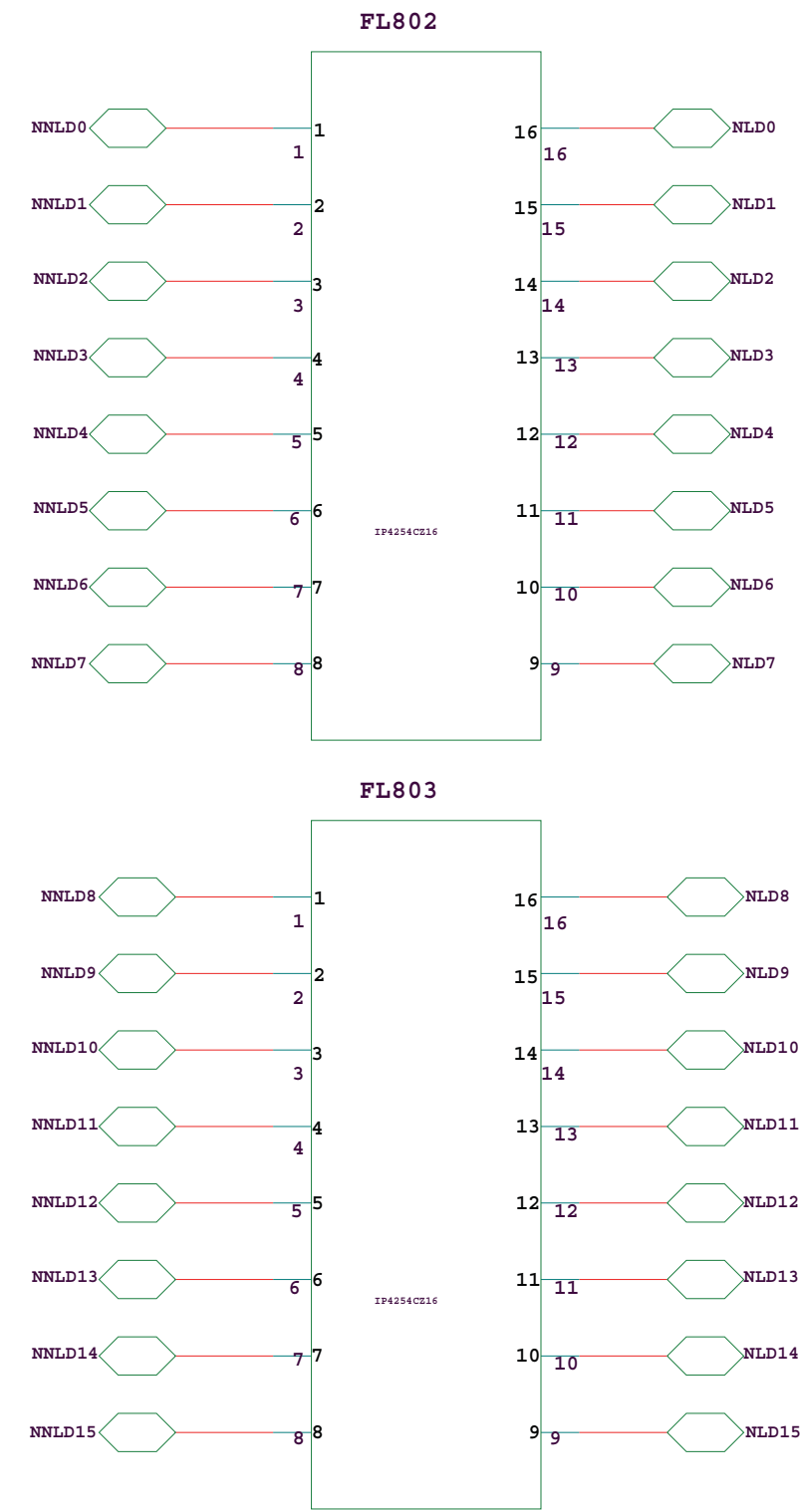
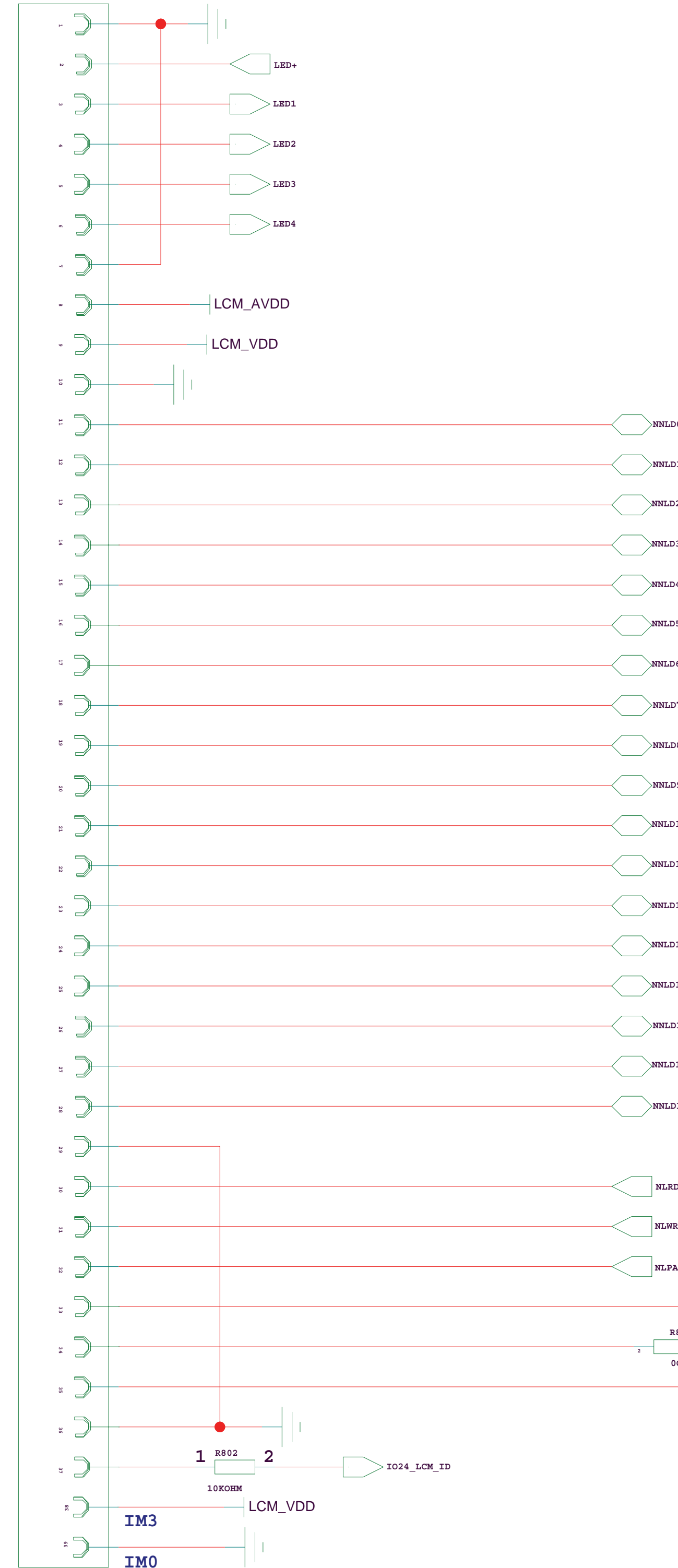


CONFIDENTIAL

ED	DATE	V3	20100506
CHANGE NOTE			
APPRO AUTHO	LI JIAN/ZHANG LEI		
ORIGINATOR			
tcl & catel mobile phones		QWERTY KEYPAD NUMBER MAIN BOARD	

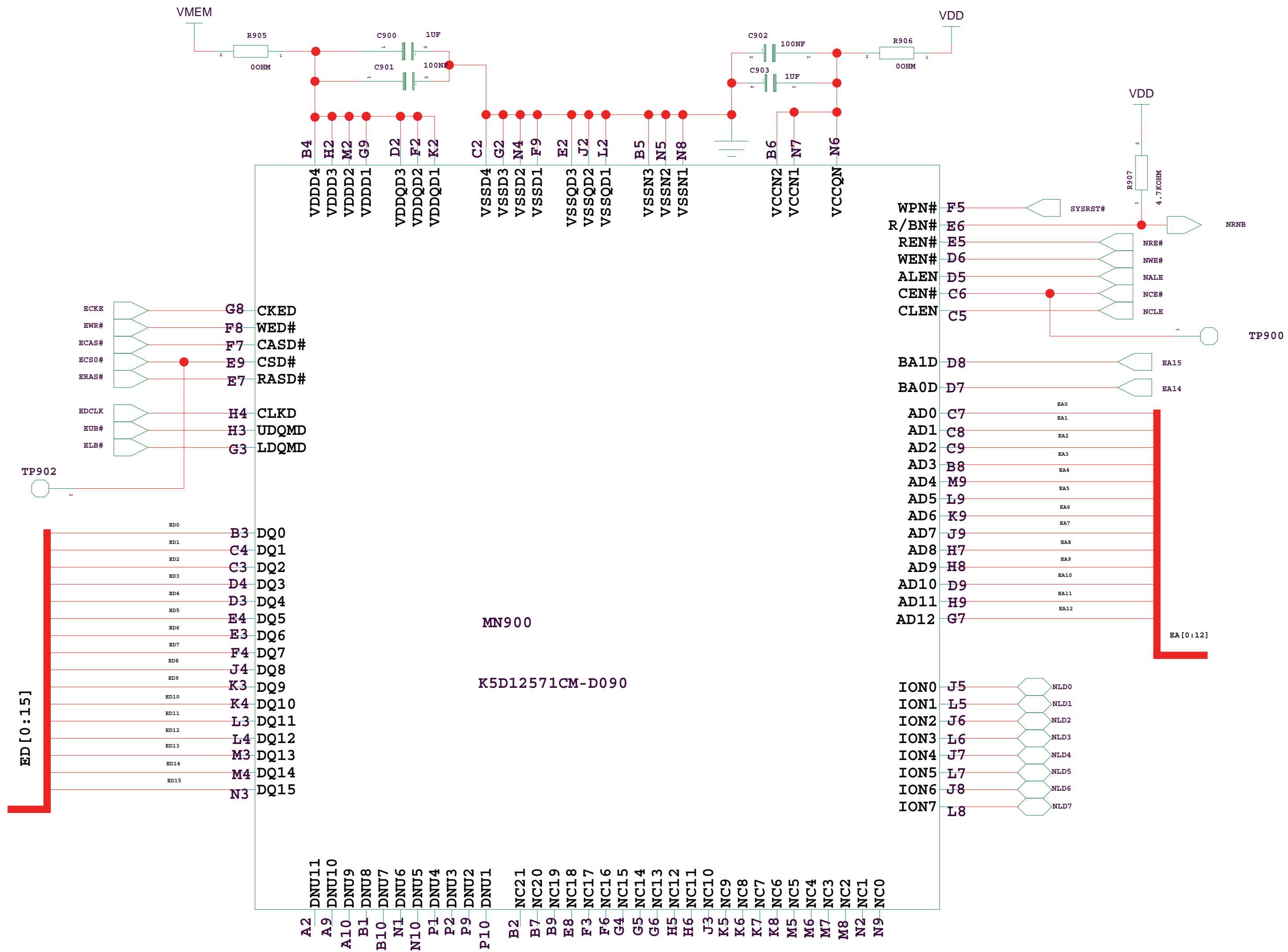
CAMERA CONNECTOR

J800



CONFIDENTIAL

ED	DATE	V3	20100506
CHANGE NOTE			
APPRO AUTHO	LI JIANZHANG LEI		
ORIGINATOR			
tcl alcatel		LCD&CAM	
mobile phones		AMBER MAIN BOARD	



CONFIDENTIAL

ED	DATE	V3	20100506		
CHANGE NOTE					
APPR.AUTHO	LI JIAN/ZHANG LEI				
ORIGINATOR					
tcl & catel mobile phones		NAND&SDRAM		AMBER MAIN BOARD	

