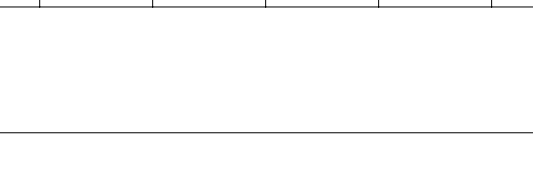
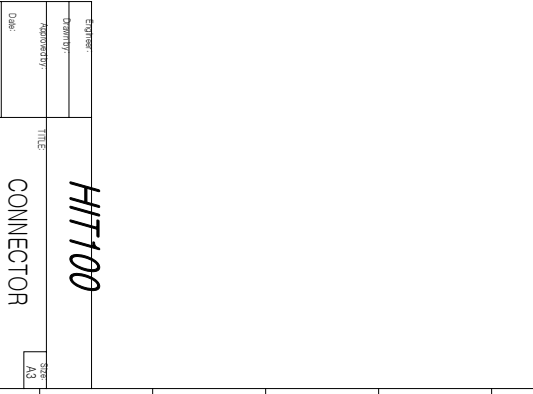
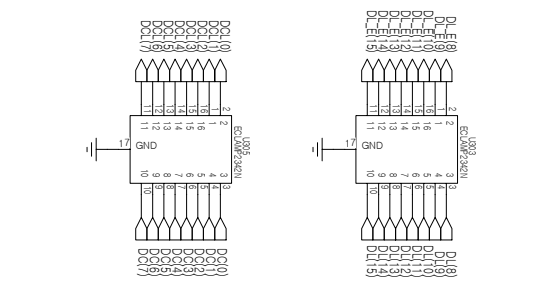
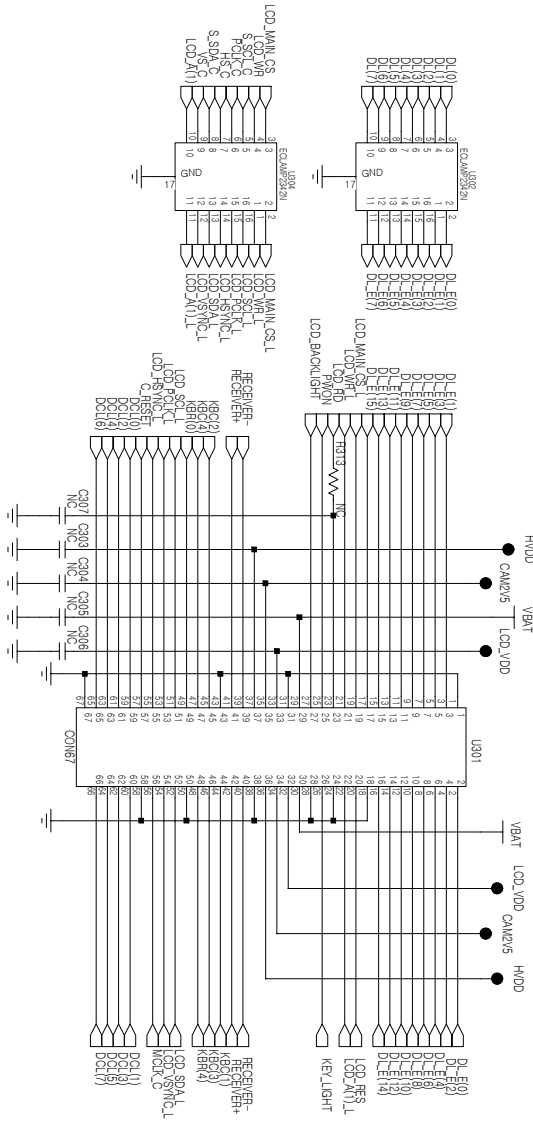
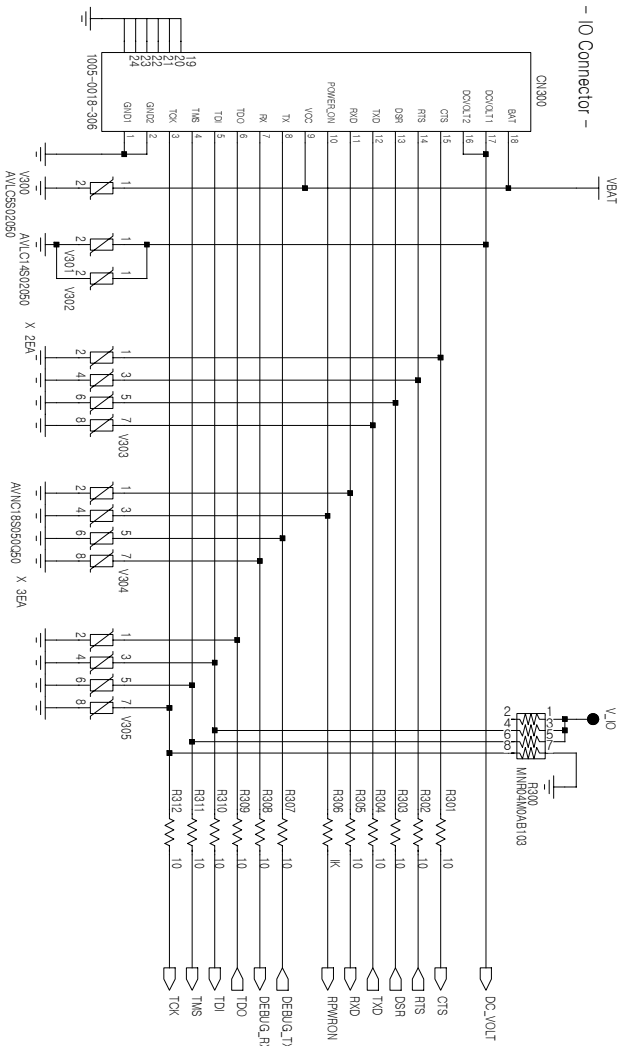
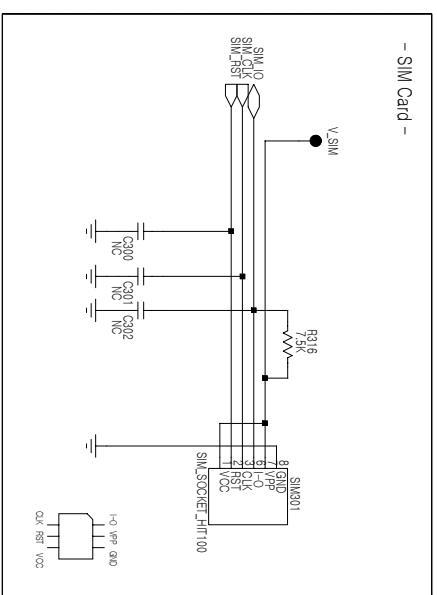


Company:  Date Change: 2005.01.13 Time Change:

SYMBOL	QUANTITY	TITLE	SIZE
RF200	1	RF MAIN IC(AERO)	A3
RF201	1		
RF202	1		
RF203	1		
RF204	1		
RF205	1		
RF206	1		
RF207	1		
RF208	1		
RF209	1		
RF210	1		
RF211	1		
RF212	1		
RF213	1		
RF214	1		
RF215	1		
RF216	1		
RF217	1		
RF218	1		
RF219	1		
RF220	1		
RF221	1		
RF222	1		
RF223	1		
RF224	1		
RF225	1		
RF226	1		
RF227	1		
RF228	1		
RF229	1		
RF230	1		
RF231	1		
RF232	1		
RF233	1		
RF234	1		
RF235	1		
RF236	1		
RF237	1		
RF238	1		
RF239	1		
RF240	1		
RF241	1		
RF242	1		
RF243	1		
RF244	1		
RF245	1		
RF246	1		
RF247	1		
RF248	1		
RF249	1		
RF250	1		

# HIT100

RF MAIN IC(AERO)

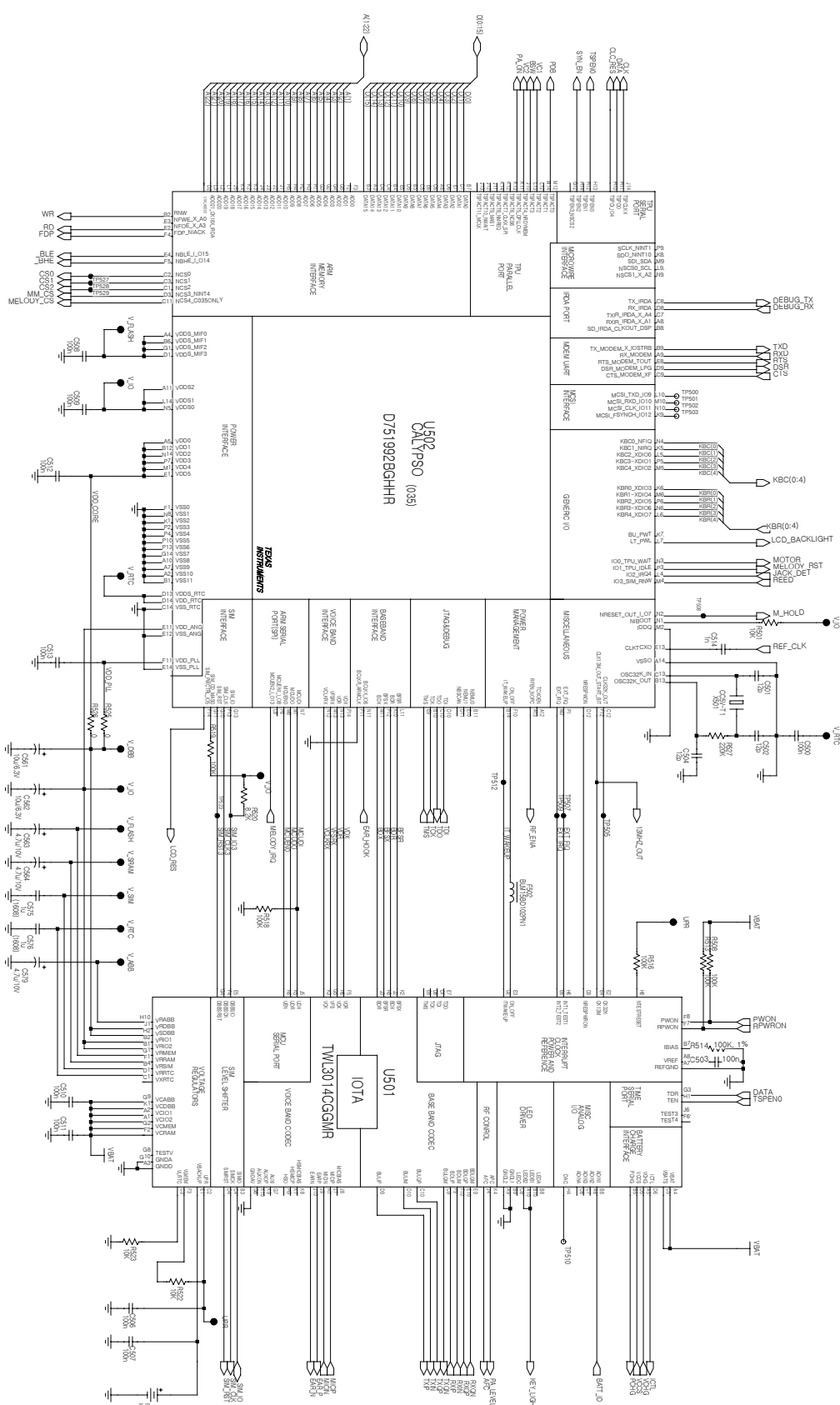


Designer: \_\_\_\_\_  
 Designer: \_\_\_\_\_  
 Designer: \_\_\_\_\_  
 Title: \_\_\_\_\_  
 Date: \_\_\_\_\_  
 Date: 2015.07.13  
 Date: \_\_\_\_\_  
 Title: CONNECTOR  
 Size: A3  
 Rev: 1.0  
 Designer: \_\_\_\_\_  
 Sheet: 3 of 8

**HIT100**

**CONNECTOR**

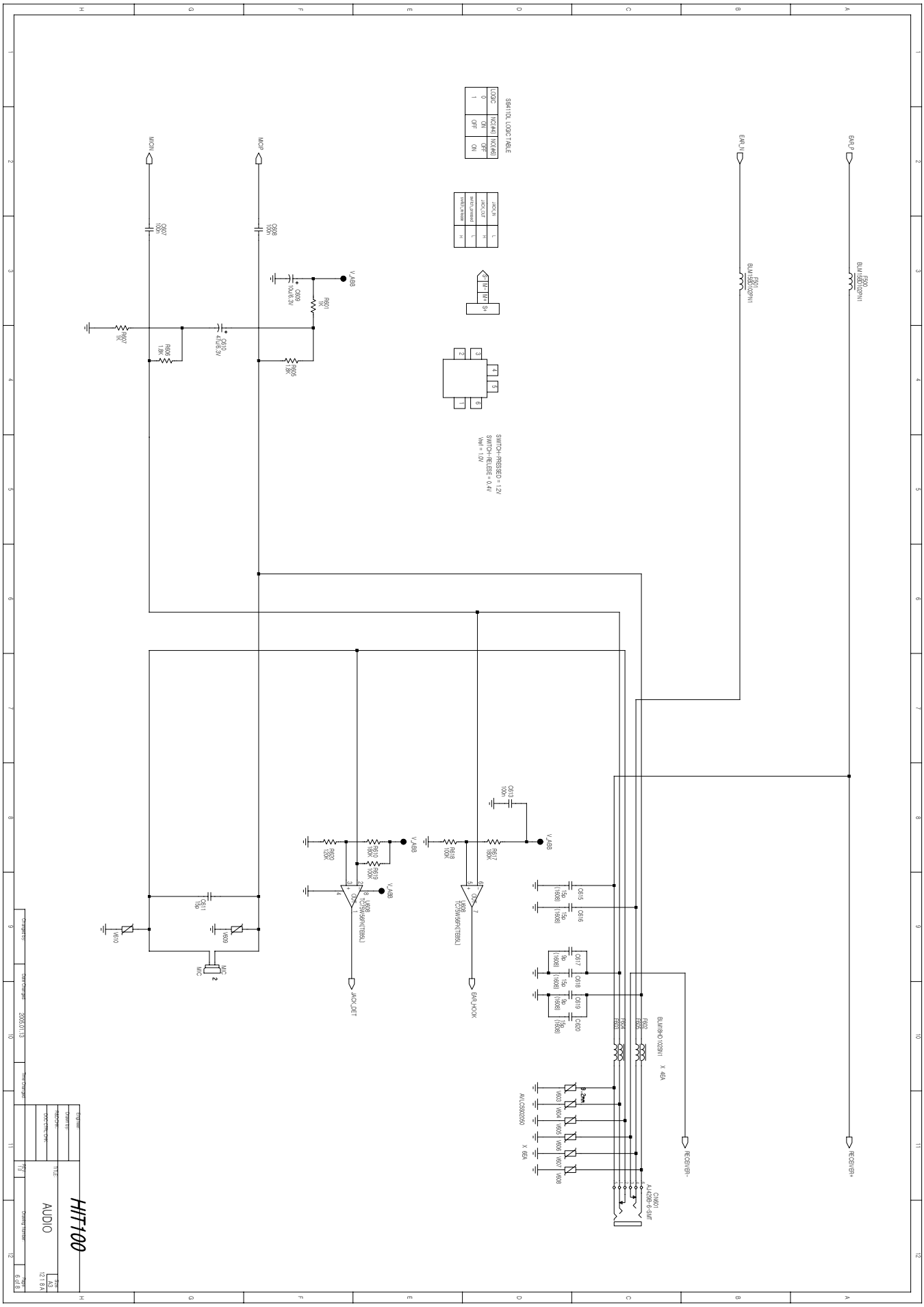




DDO	OUT VOLTAGE	BACKUP	APPLY	loadmax
V-DBB	1.5V		CHARGES DIGITAL CORE	120mA
V-I/O	2.8V		CHARGES I/O	60mA
V-FLASH	2.8V		EXTERNAL RAM	50mA
V-SRAM	2.8V		EXTERNAL RAM	50mA
V-SIM	2.8V		SIM DRIVER	10mA
V-RTC	1.5V		RTC	30mA
V-ABB	2.8V		IOTA analog	50mA

Symbol	Value	Unit
U500	0.35	mm
U501	1.0	mm
TWL3014CGMR	1.0	mm
U502	1.0	mm
U503	1.0	mm
U504	1.0	mm
U505	1.0	mm
U506	1.0	mm
U507	1.0	mm
U508	1.0	mm
U509	1.0	mm
U510	1.0	mm
U511	1.0	mm
U512	1.0	mm
U513	1.0	mm
U514	1.0	mm
U515	1.0	mm
U516	1.0	mm
U517	1.0	mm
U518	1.0	mm
U519	1.0	mm
U520	1.0	mm
U521	1.0	mm
U522	1.0	mm
U523	1.0	mm
U524	1.0	mm
U525	1.0	mm
U526	1.0	mm
U527	1.0	mm
U528	1.0	mm
U529	1.0	mm
U530	1.0	mm
U531	1.0	mm
U532	1.0	mm
U533	1.0	mm
U534	1.0	mm
U535	1.0	mm
U536	1.0	mm
U537	1.0	mm
U538	1.0	mm
U539	1.0	mm
U540	1.0	mm
U541	1.0	mm
U542	1.0	mm
U543	1.0	mm
U544	1.0	mm
U545	1.0	mm
U546	1.0	mm
U547	1.0	mm
U548	1.0	mm
U549	1.0	mm
U550	1.0	mm
U551	1.0	mm
U552	1.0	mm
U553	1.0	mm
U554	1.0	mm
U555	1.0	mm
U556	1.0	mm
U557	1.0	mm
U558	1.0	mm
U559	1.0	mm
U560	1.0	mm
U561	1.0	mm
U562	1.0	mm
U563	1.0	mm
U564	1.0	mm
U565	1.0	mm
U566	1.0	mm
U567	1.0	mm
U568	1.0	mm
U569	1.0	mm
U570	1.0	mm
U571	1.0	mm
U572	1.0	mm
U573	1.0	mm
U574	1.0	mm
U575	1.0	mm
U576	1.0	mm
U577	1.0	mm
U578	1.0	mm
U579	1.0	mm
U580	1.0	mm
U581	1.0	mm
U582	1.0	mm
U583	1.0	mm
U584	1.0	mm
U585	1.0	mm
U586	1.0	mm
U587	1.0	mm
U588	1.0	mm
U589	1.0	mm
U590	1.0	mm
U591	1.0	mm
U592	1.0	mm
U593	1.0	mm
U594	1.0	mm
U595	1.0	mm
U596	1.0	mm
U597	1.0	mm
U598	1.0	mm
U599	1.0	mm
U600	1.0	mm

**H1T100**  
**MAIN CHIPSET**  
 121.94



SMITH LOGIC TABLE

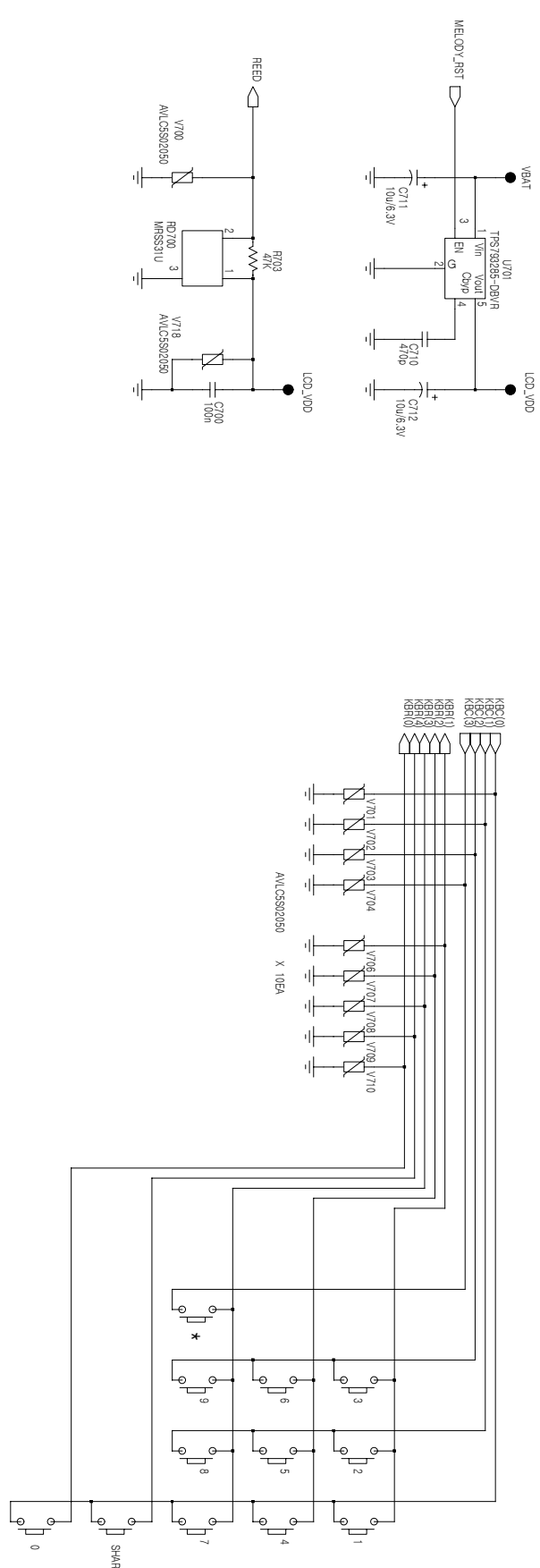
LOGIC	NO.1	NO.2	NO.3
0	0	0	0
1	0	1	0

NO.1	NO.2	NO.3
0	0	0
1	0	1
2	1	0
3	1	1

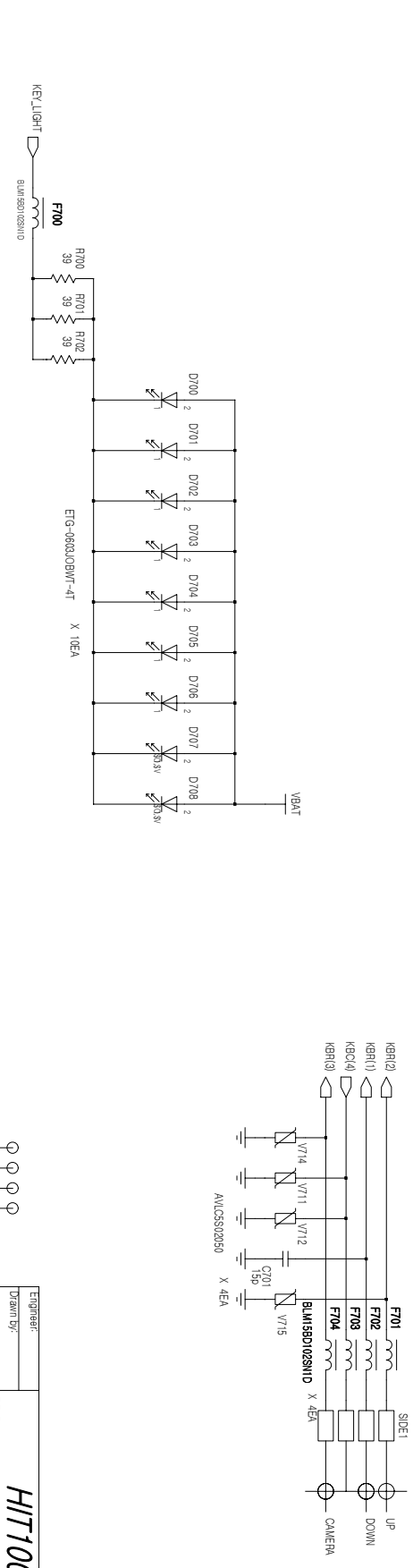


SWITCH-PRESSCD = 12V  
 SWITCH-RELEASE = 0.4V  
 V<sub>SW</sub> = 1.0V

TYPE	HIT100
REVISION	1
DATE	12.1.84
DESIGNER	
CHECKER	
APPROVER	
DATE	6.30.84
TIME	
FILE	AUDIO
PROJECT	
NO.	
REV.	
DATE	
TIME	

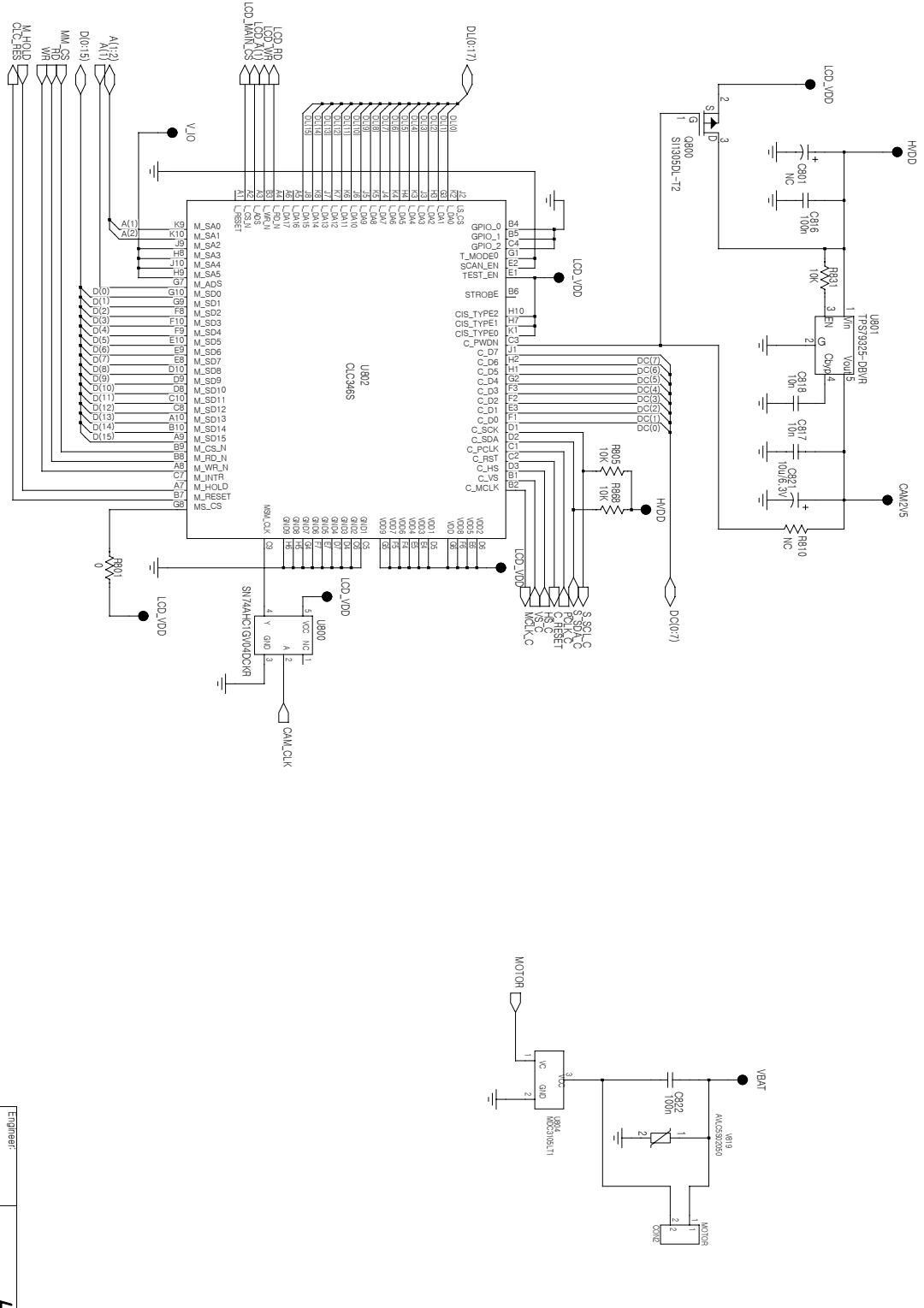


- SIDE KEY -



1	2	3	4	5	6	7	8
---	---	---	---	---	---	---	---

Engineer:	Checked By:	2005.01.13	7
Drawn By:	2005.01.13	8	
TRD CHK:	2005.01.13	9	
TDDC CHIL CHK:	2005.01.13	10	
MFC ENGR CHK:	2005.01.13	11	
QA CHK:	2005.01.13	12	
<b>HIT100</b> TITLE: KEY Drawing Number:			Sheet: A3 Page: 7 of 8



Changed By: 2005.01.13

Engineer:		<b>HIT100</b> TITLE: CAMERA Sheet: A3 Drawing Number: 8 of 8
Drawn By:		
TRD CHK:		
DOC CHIL CHK:		
MFG ENGR CHK:		
QA CHK:		