

Service Manual



ORDER NO.
ARZ2049

CD CDV LD PLAYER

CLD-2080

**CIRCUIT DIAGRAMS &
PATTERN LAYOUTS
WITH MICROFICHE**

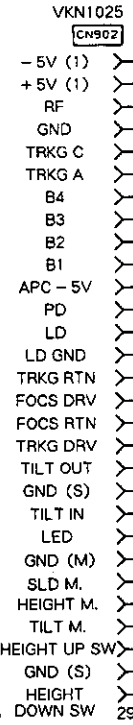
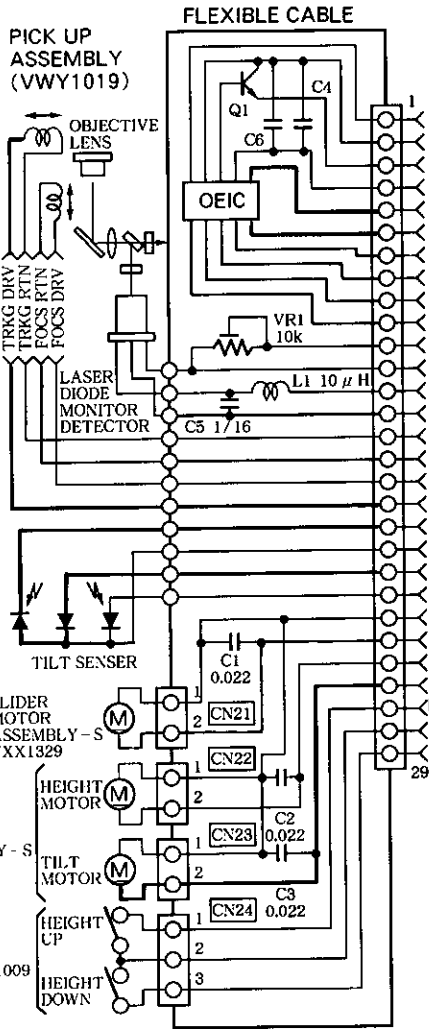
(MICROFICHE PORTION LOCATED INSIDE BACK COVER)

A

B

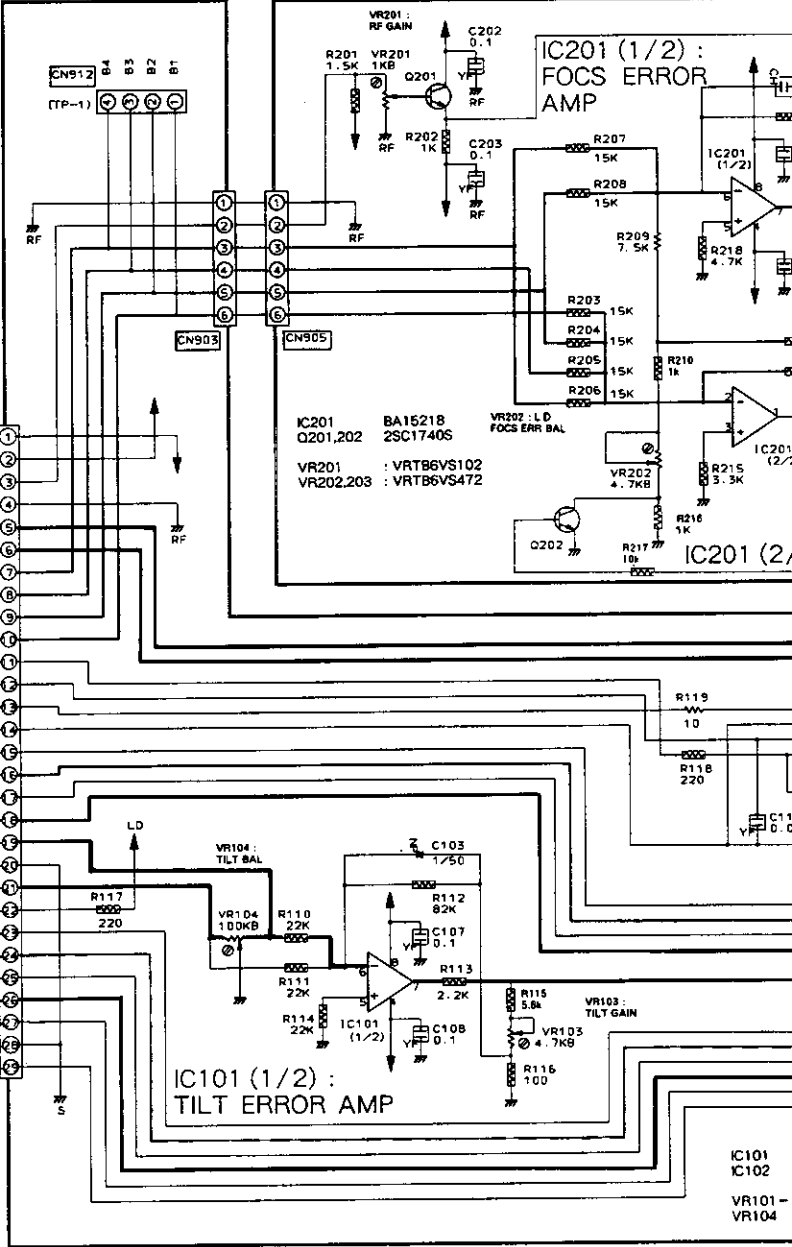
C

D



PREB ASSEMBLY

PRET ASSEMBLY

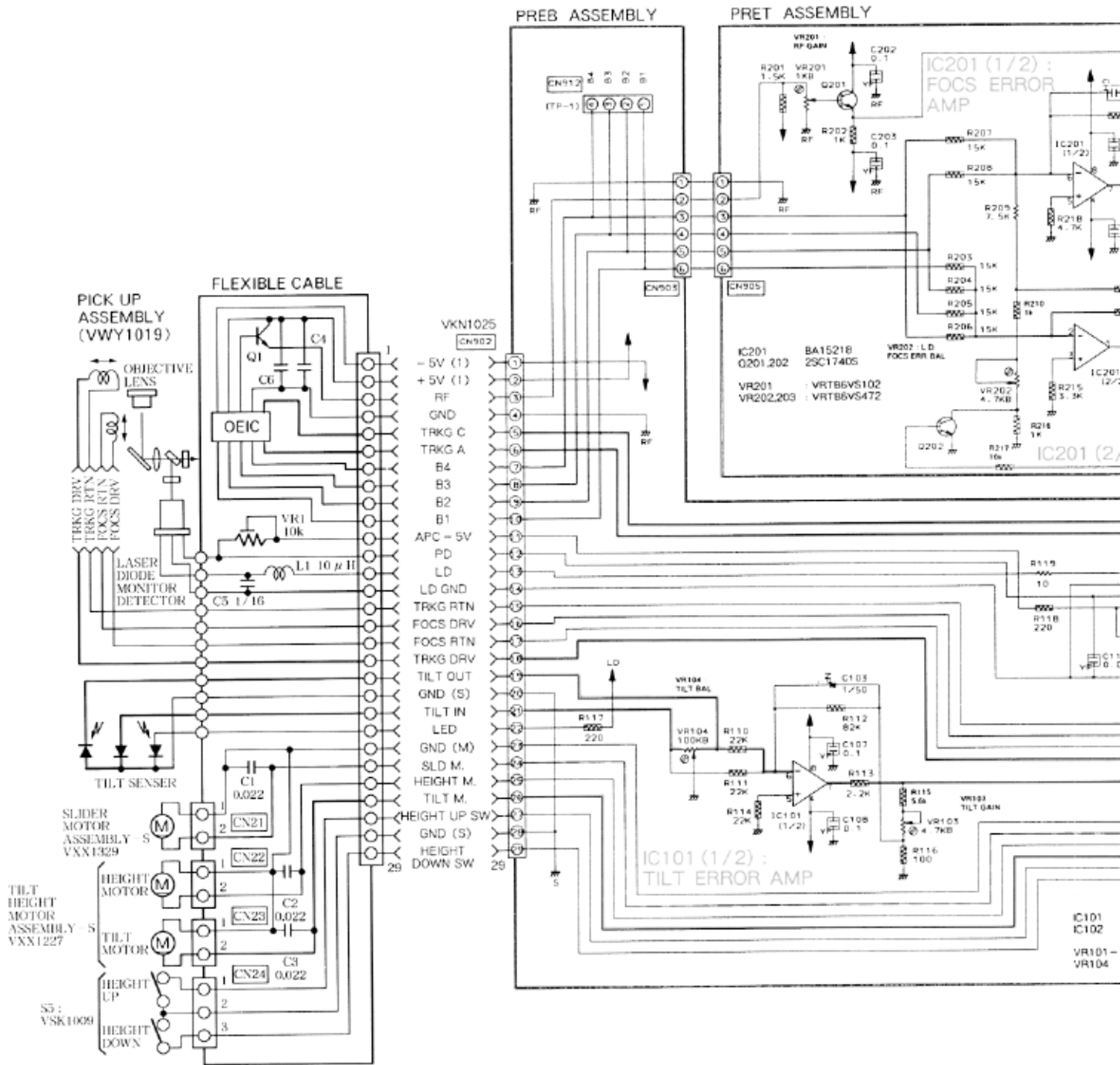


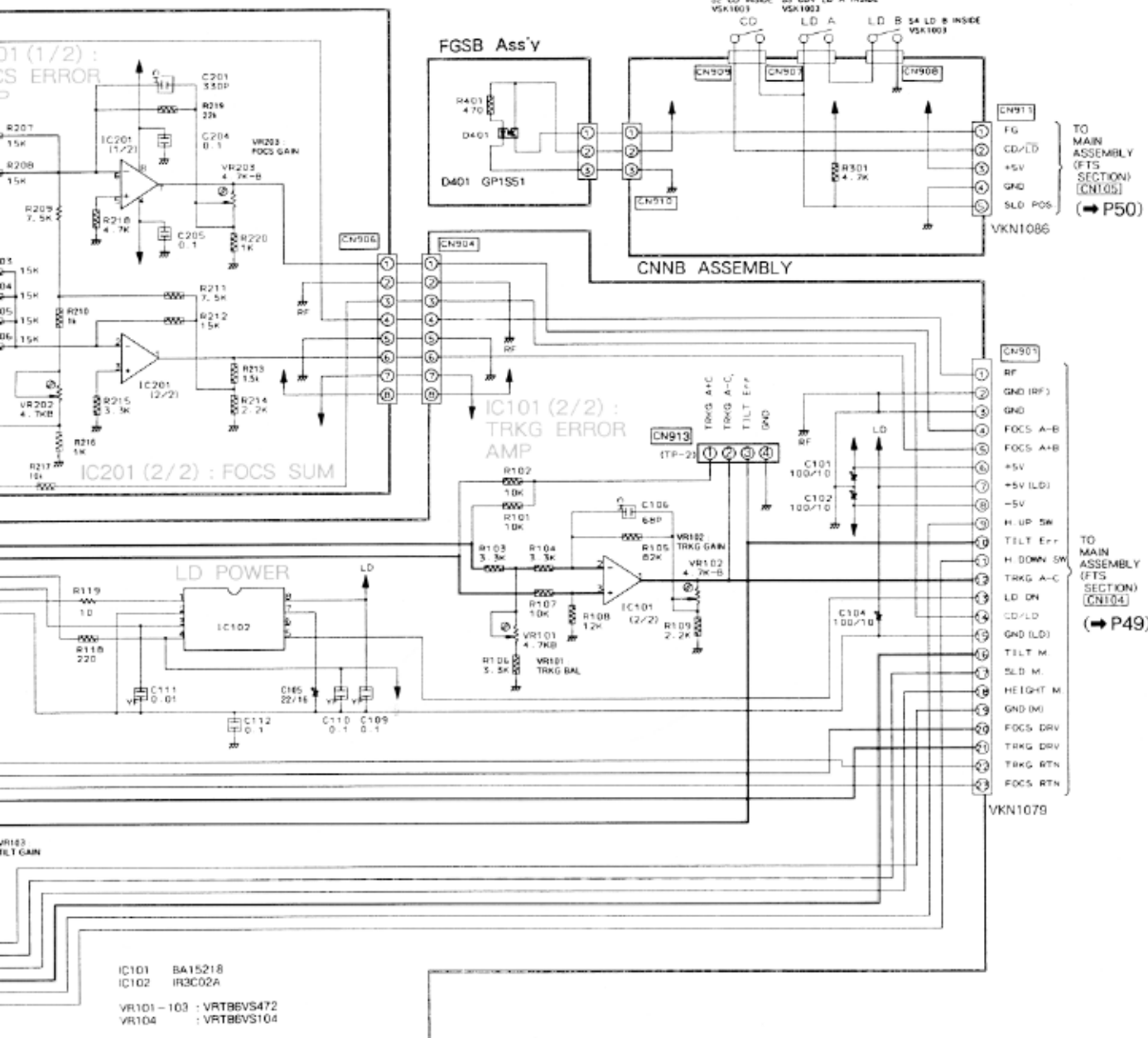
A

B

C

D





- : SLDR MOTOR LINE
- : FOCS SERVO LOOP LINE
- : TRKG SERVO LOOP LINE
- : TILT SERVO LOOP LINE

A

B

C

D

5.4 MAIN ASSEMBLY (TBC SECTION)

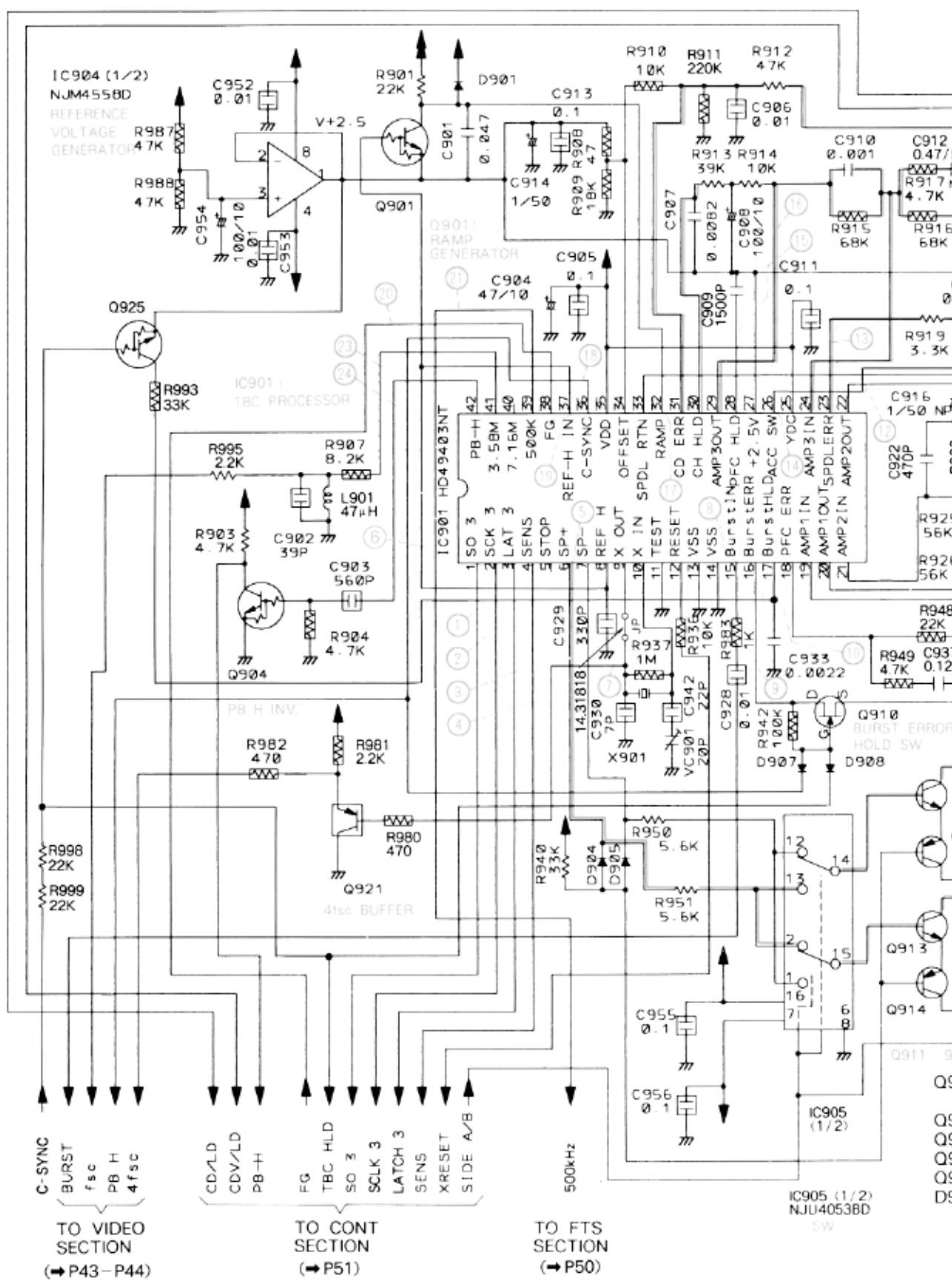
MAIN ASSEMBLY (VWX1036) (TBC SECTION)

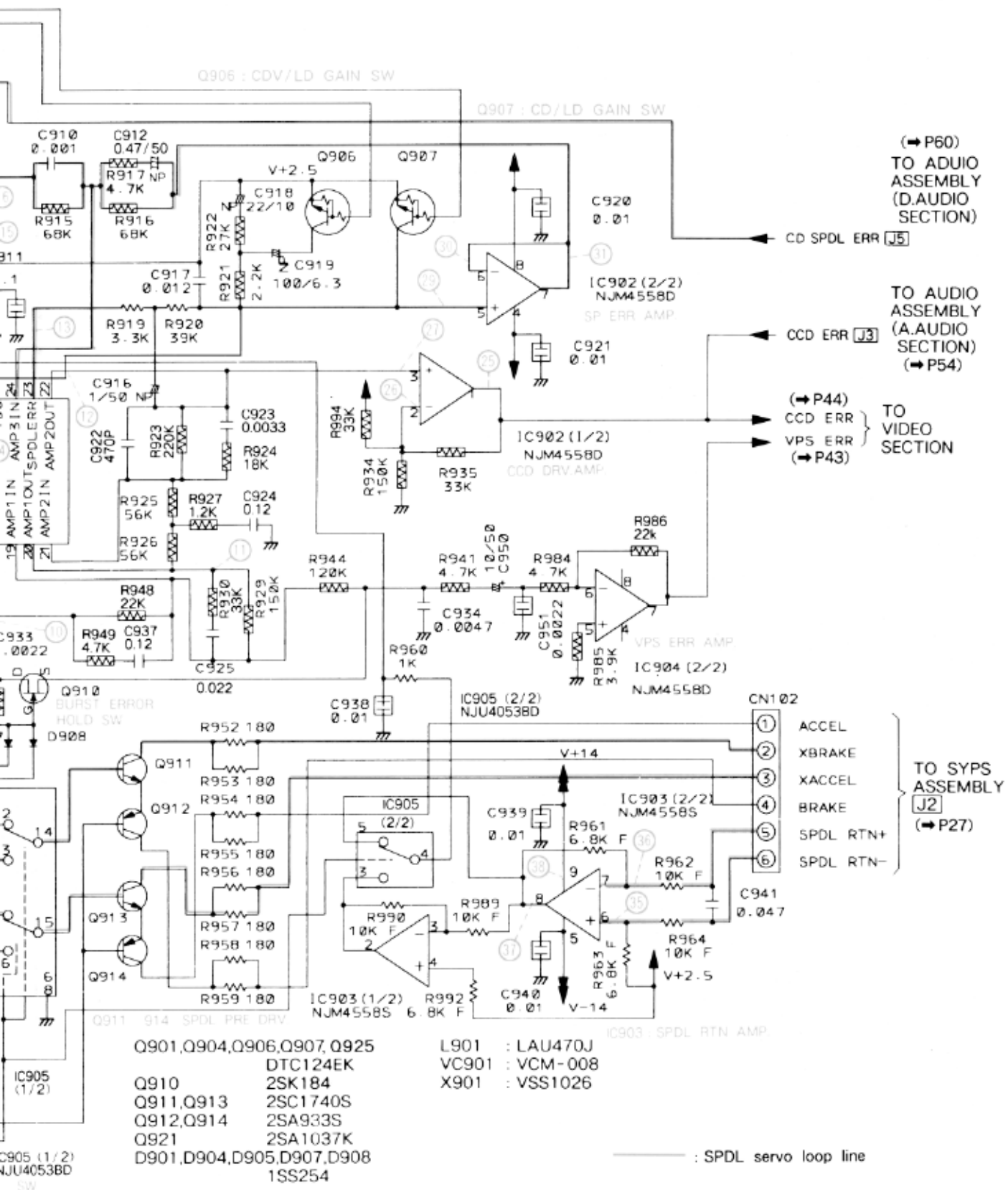
A

B

C

D





A

B

C

D

1

2

3

5.5 MAIN ASSEMBLY (VIDEO SECTION)

MAIN ASSEMBLY (VWX1036) (VIDEO SECTION)

A

B

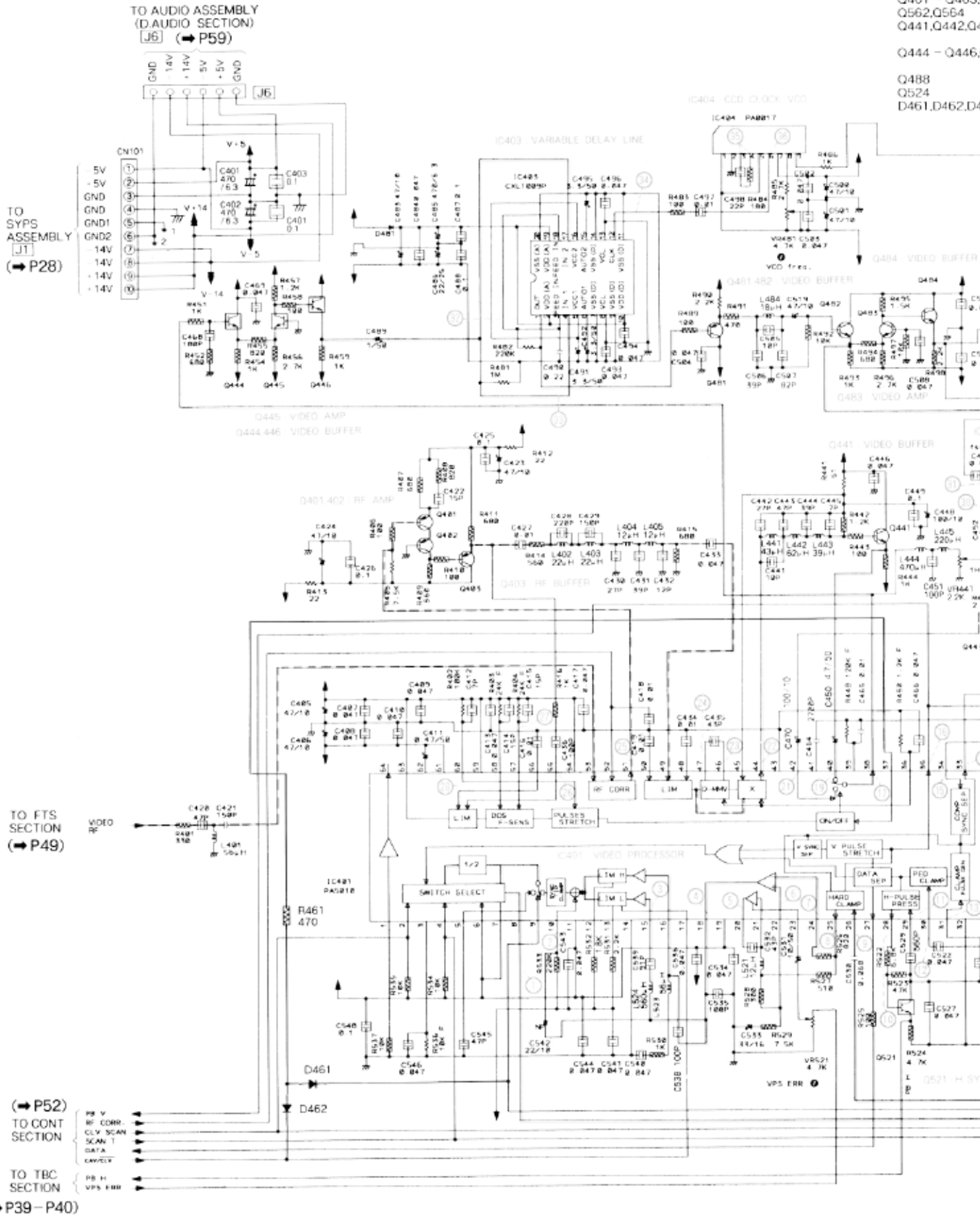
C

D

Q401 - Q403,
Q562,Q564
Q441,Q442,Q443

Q444 - Q446

Q488
Q524
D461,D462,D463



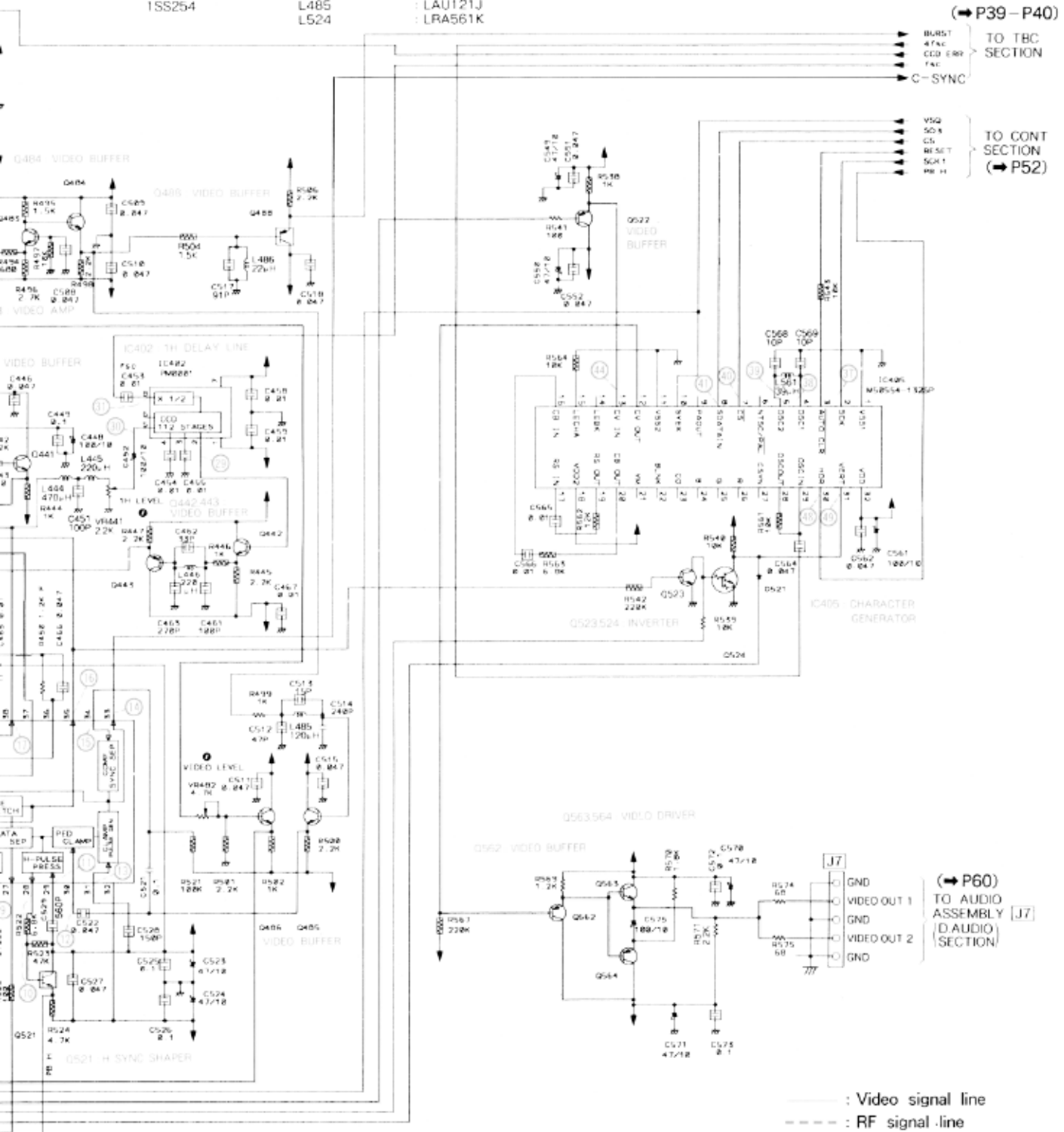
1

2

3

Q401 - Q403, Q443, Q481, Q522,	L401, L523	: LAU560J
Q562, Q564	2SA933S	: LAU220J
Q441, Q442, Q482 - Q486, Q523, Q563	L404, L403, L486	: LAU120J
Q444 - Q446, Q521	L441	: LAU430J
	L442	: LAU620J
	L443, L561	: LAU390J
Q488	2SA1037K	: LFA471J
Q524	RN1203	: LAU221J
D461, D462, D481, D521	L484	: LAU180J
	L485	: LAU121J
	L524	: LRA561K

VR441	: VRTB6VS222
VR481, VR482	: VRTB6VS472
VR521	: VRTG6VS472



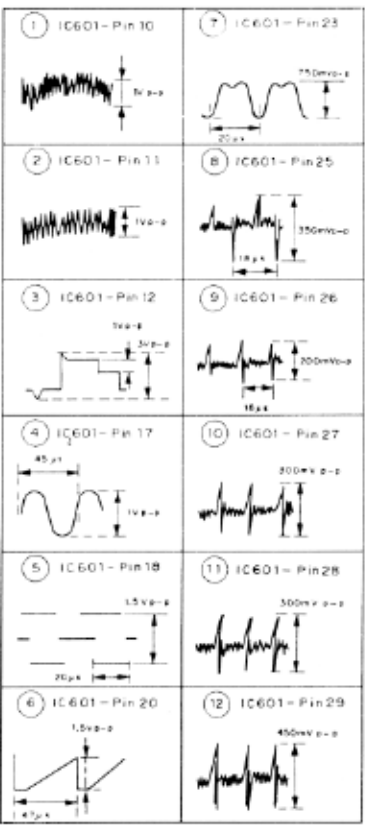
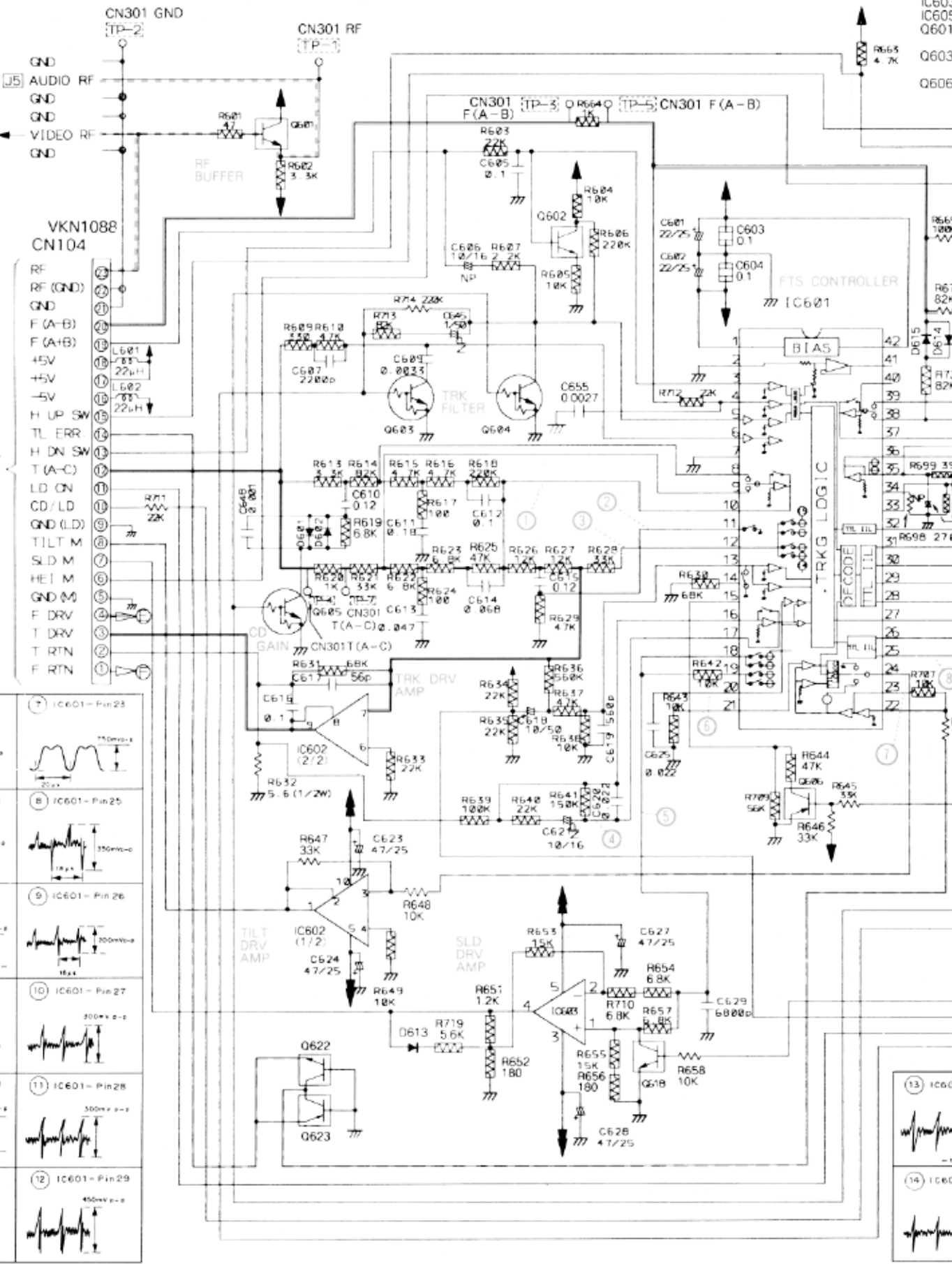
5.6 MAIN ASSEMBLY (FTS SECTION)

MAIN ASSEMBLY (VWX1036) (FTS SECTION)

(→ P59)
TO AUDIO
ASSEMBLY
(D. AUDIO
SECTION)
GND
AUDIO RF
GND
VIDEO RF
GND
TO VIDEO
SECTION
(→ P43)

VKN1088
CN104
RF
RF (GND)
GND
F (A-B)
F (A+B)
+5V
+5V
-5V
H UP SW
TL ERR
H DN SW
T (A-C)
LD ON
CD/LD
GND (LD)
TILT M
SLD M
HEI M
GND (M)
F DRV
T DRV
T RTN
F RTN

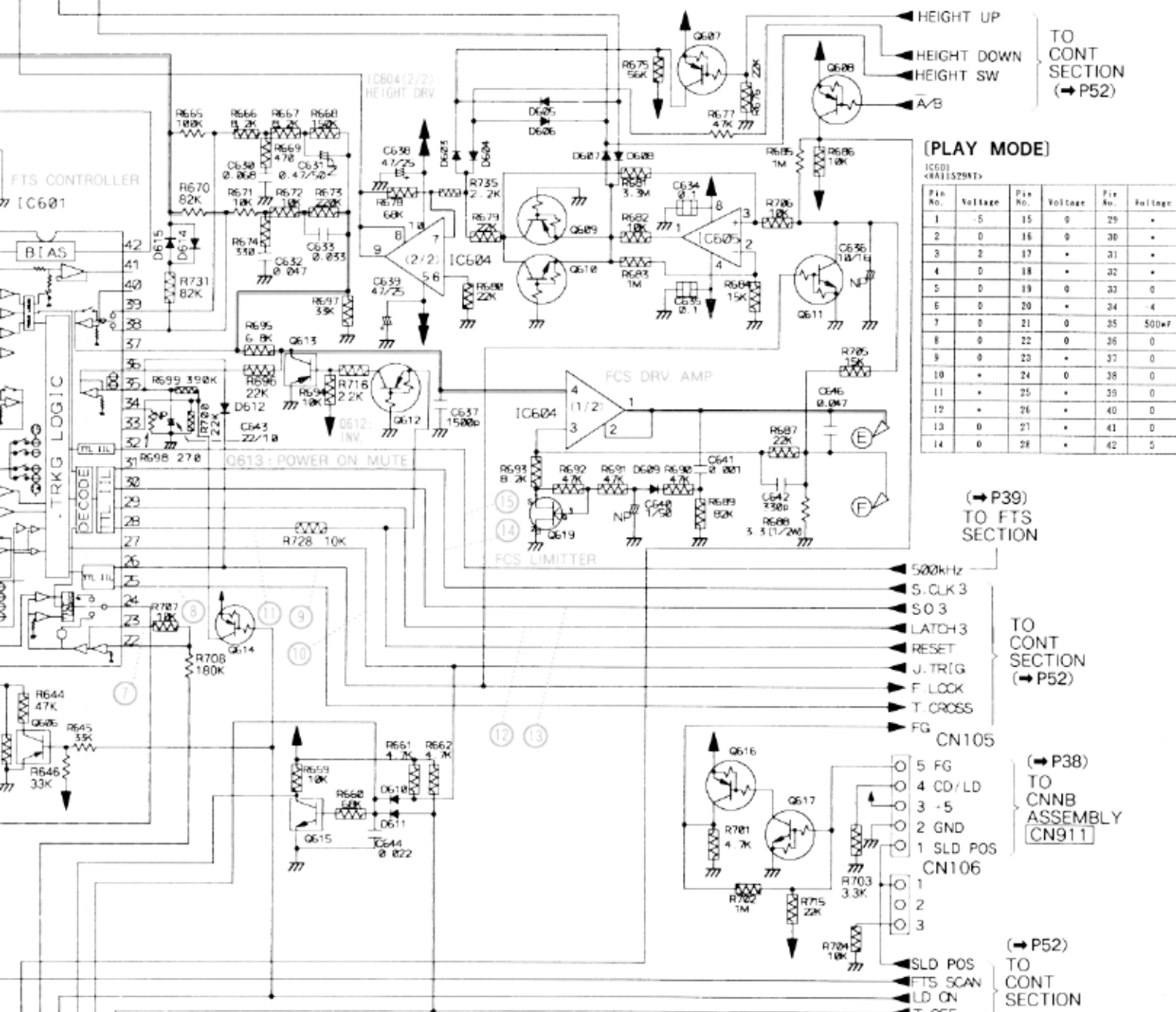
TO PREB
ASSEMBLY
CN901
(→ P38)



IC601
IC602
IC603
IC605
Q601.
Q603
Q606.
R665
R671
R672
R673
R674
R675
R676
R677
R678
R679
R680
R681
R682
R683
R684
R685
R686
R687
R688
R689
R690
R691
R692
R693
R694
R695
R696
R697
R698
R699
R700
R701
R702
R703
R704
R705
R706
R707
R708
R709
R710
R711
R712
R713
R714
R715
R716
R717
R718
R719
R720
R721
R722
R723
R724
R725
R726
R727
R728
R729
R730
R731
R732
R733
R734
R735
R736
R737
R738
R739
R740
R741
R742
R743
R744
R745
R746
R747
R748
R749
R750
R751
R752
R753
R754
R755
R756
R757
R758
R759
R760
R761
R762
R763
R764
R765
R766
R767
R768
R769
R770
R771
R772
R773
R774
R775
R776
R777
R778
R779
R780
R781
R782
R783
R784
R785
R786
R787
R788
R789
R790
R791
R792
R793
R794
R795
R796
R797
R798
R799
R800
R801
R802
R803
R804
R805
R806
R807
R808
R809
R810
R811
R812
R813
R814
R815
R816
R817
R818
R819
R820
R821
R822
R823
R824
R825
R826
R827
R828
R829
R830
R831
R832
R833
R834
R835
R836
R837
R838
R839
R840
R841
R842
R843
R844
R845
R846
R847
R848
R849
R850
R851
R852
R853
R854
R855
R856
R857
R858
R859
R860
R861
R862
R863
R864
R865
R866
R867
R868
R869
R870
R871
R872
R873
R874
R875
R876
R877
R878
R879
R880
R881
R882
R883
R884
R885
R886
R887
R888
R889
R890
R891
R892
R893
R894
R895
R896
R897
R898
R899
R900
R901
R902
R903
R904
R905
R906
R907
R908
R909
R910
R911
R912
R913
R914
R915
R916
R917
R918
R919
R920
R921
R922
R923
R924
R925
R926
R927
R928
R929
R930
R931
R932
R933
R934
R935
R936
R937
R938
R939
R940
R941
R942
R943
R944
R945
R946
R947
R948
R949
R950
R951
R952
R953
R954
R955
R956
R957
R958
R959
R960
R961
R962
R963
R964
R965
R966
R967
R968
R969
R970
R971
R972
R973
R974
R975
R976
R977
R978
R979
R980
R981
R982
R983
R984
R985
R986
R987
R988
R989
R990
R991
R992
R993
R994
R995
R996
R997
R998
R999
R1000

IC601 HA11529NT
 IC602, IC604 LA6510
 IC603 LA6500
 IC605 BA15218N
 Q601, Q602, Q615, Q618, Q622 2SC2412K
 Q603 Q605, Q610, Q611, Q617 DTC124EK
 Q606, Q613, Q623 2SA1037K
 Q607 UN4112
 Q608, Q609, Q612, Q614, Q616 DTA124EK
 Q619 2SK184
 D612 MA700
 D601 D611, D613 D615 1SS254
 L601, L602 : LAU220J

----- : RF signal
 - - - - - : TILT servo loop
 ———— : FCS servo loop
 ———— : TRK servo loop



[PLAY MODE]
 IC601 <HA11529NT>

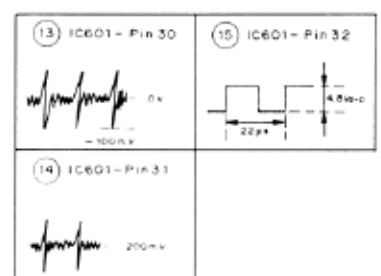
Pin No.	Voltage	Pin No.	Voltage	Pin No.	Voltage
1	5	15	0	29	*
2	0	16	0	30	*
3	2	17	*	31	*
4	0	18	*	32	*
5	0	19	0	33	0
6	0	20	*	34	-4
7	0	21	0	35	500uF
8	0	22	0	36	0
9	0	23	*	37	0
10	*	24	0	38	0
11	*	25	*	39	0
12	*	26	*	40	0
13	0	27	*	41	0
14	0	28	*	42	5

(→P39)
 TO FTS SECTION

TO CONT SECTION
 (→P52)

(→P38)
 TO CNNB ASSEMBLY
 CN911

(→P52)
 TO CONT SECTION



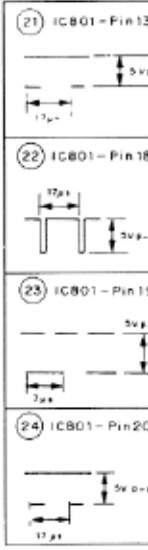
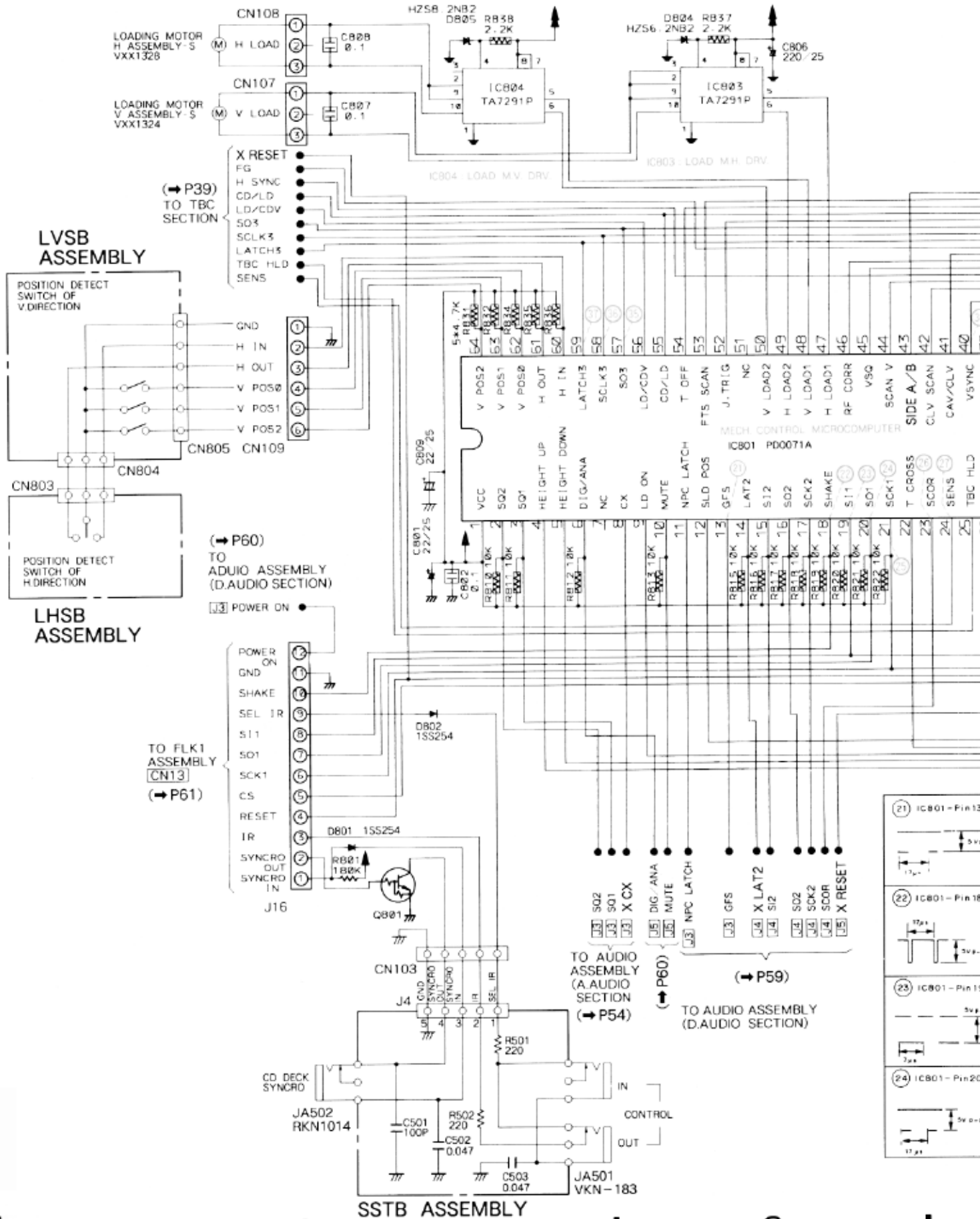
1 2 3
5.7 MAIN ASSEMBLY (CONT SECTION), LVSB, LHSB AND SSTB ASSEMBLIES
MAIN ASSEMBLY (VWX1036) (CONT SECTION)

A

B

C

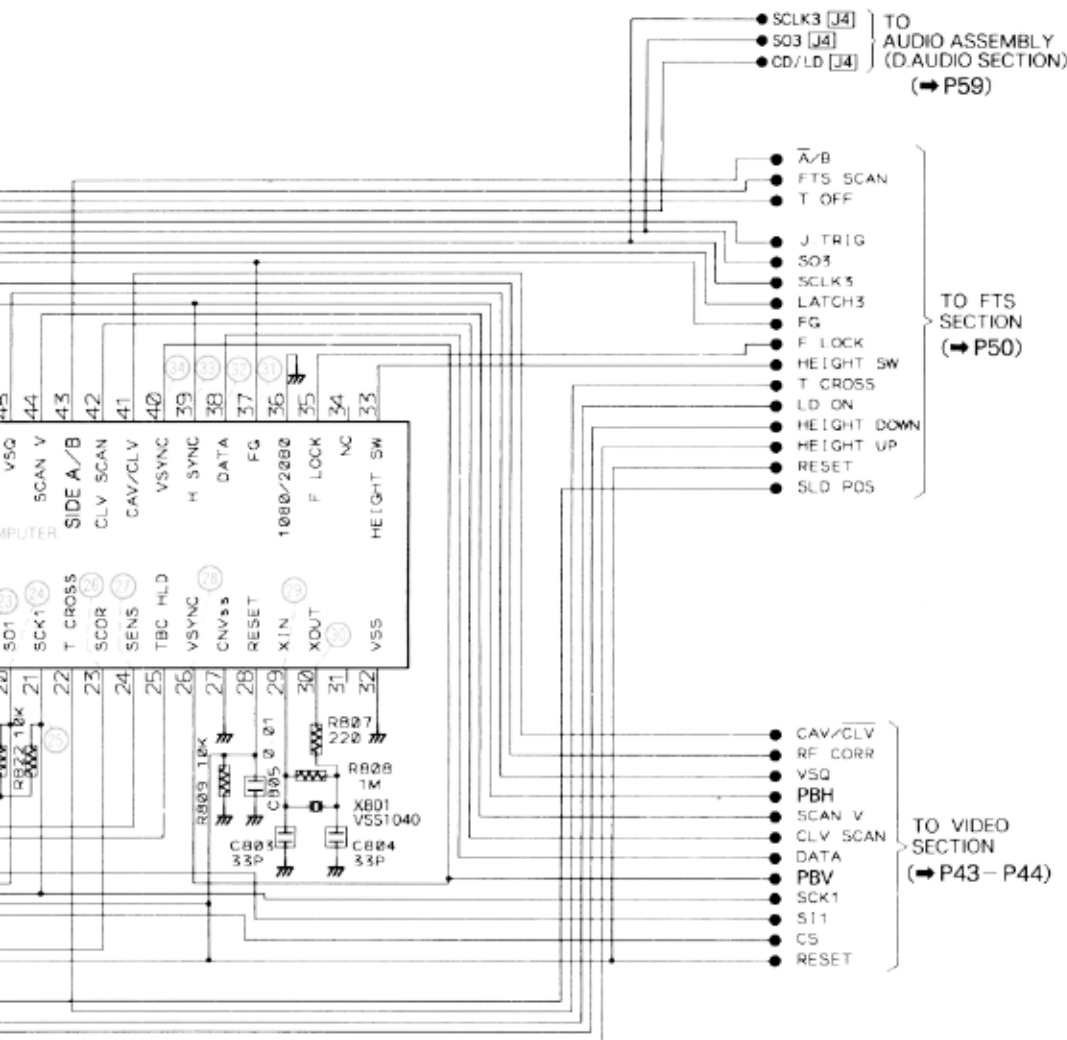
D



1

2

3

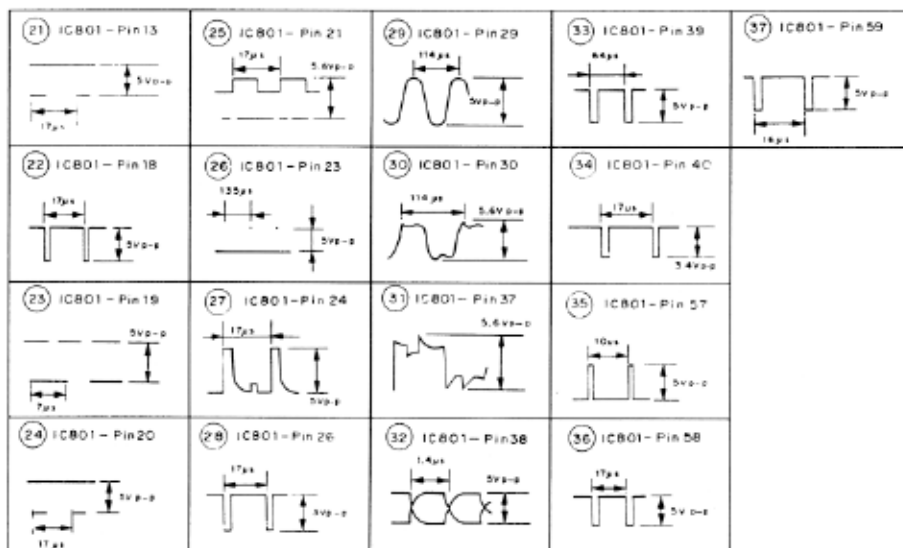


A

B

C

D

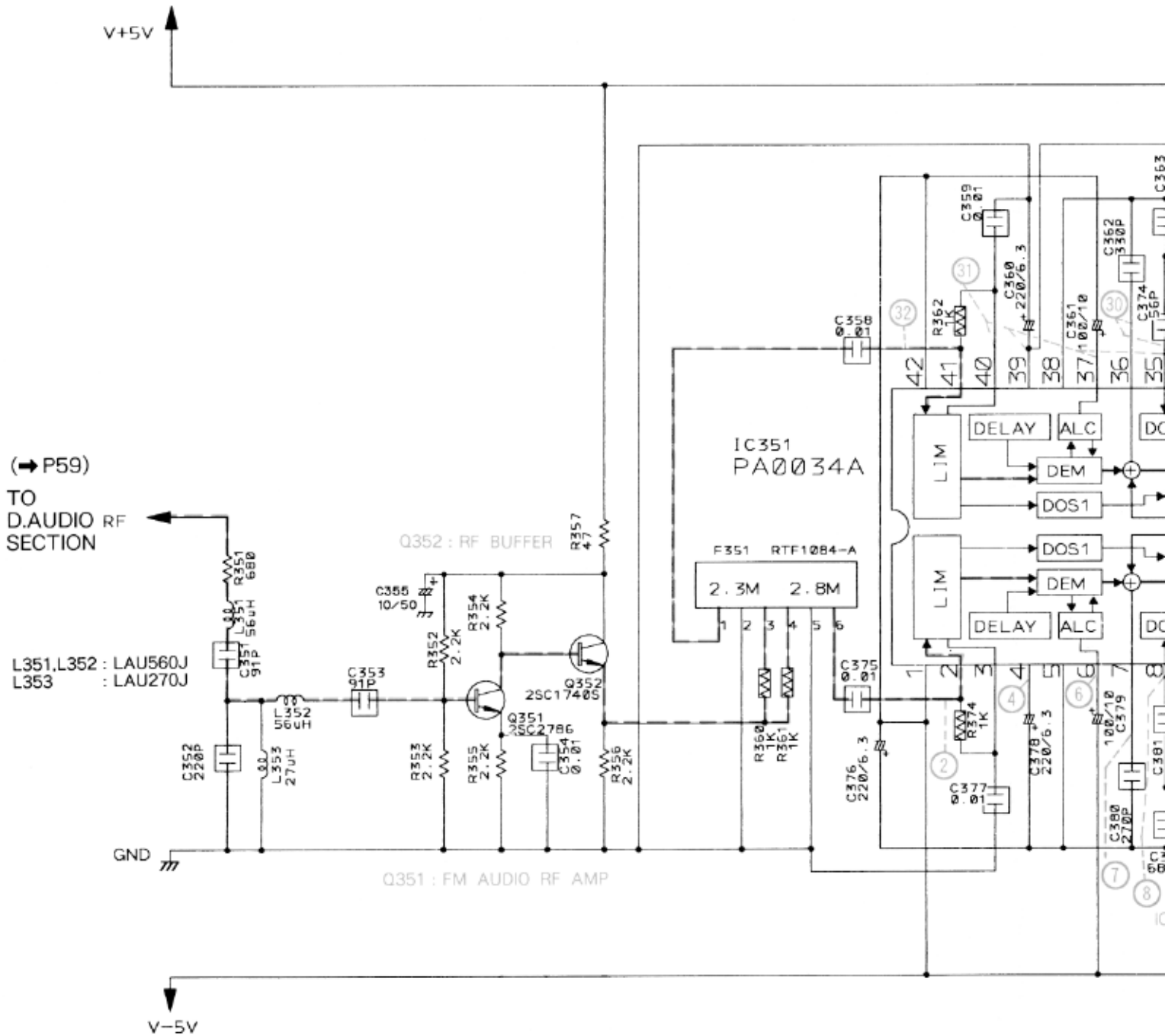


IC801
< PD0071A >

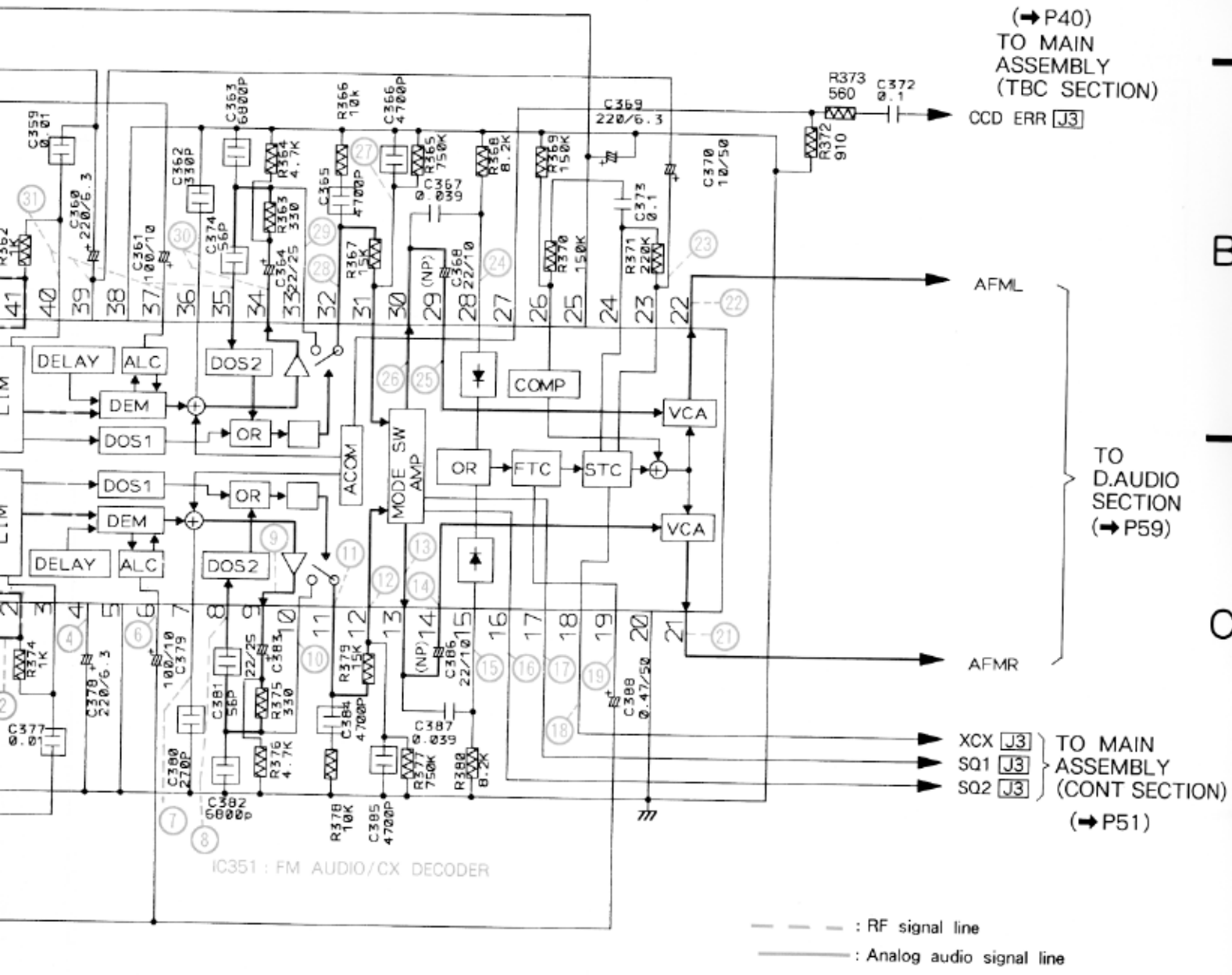
Pin No.	Voltage	Pin No.	Voltage	Pin No.	Voltage	Pin No.	Voltage
1	5	17	5	33	5	49	5
2	0	18	*	34	*	50	5
3	0	19	*	35	0	51	0
4	0	20	*	36	5	52	0
5	0	21	*	37	*	53	2.5
6	0	22	0	38	*	54	0
7		23	*	39	*	55	0
8	5	24	*	40	*	56	0
9	5	25	5	41	0	57	*
10	0	26	*	42	5	58	*
11	5	27	0	43	0	59	*
12	2.5	28	5	44	5	60	
13	*	29	*	45	5	61	
14	5	30	*	46	0	62	0
15	0	31	0	47	0	63	0
16	5	32	0	48	0	64	0

5.8 AUDIO ASSEMBLY (ANALOG AUDIO SECTION)

A AUDIO ASSEMBLY (VWX1037) (ANALOG AUDIO SECTION)



ON)



(→P40)
 TO MAIN
 ASSEMBLY
 (TBC SECTION)
 CCD ERR [J3]

TO
 D.AUDIO
 SECTION
 (→P59)

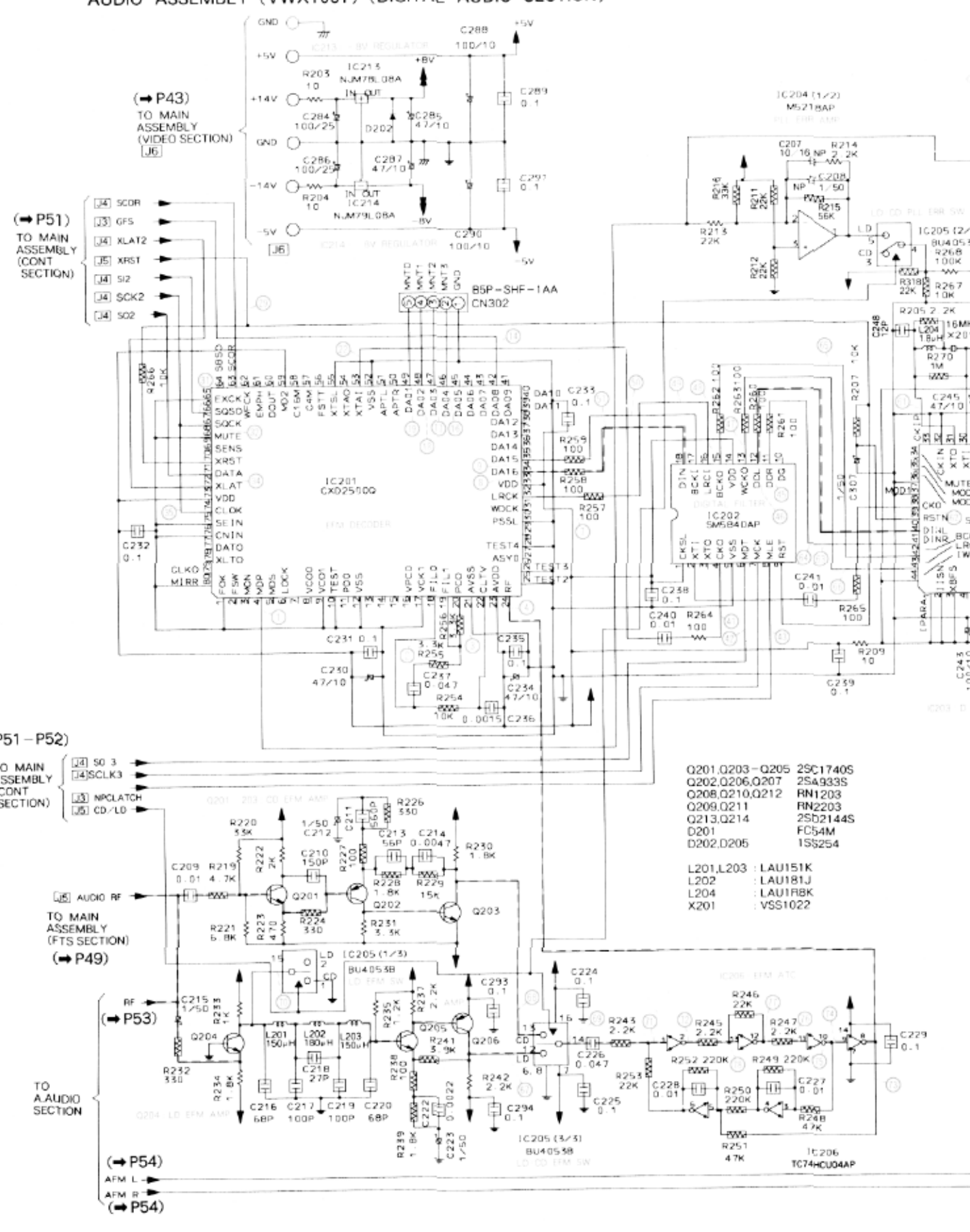
XCV [J3]
 SQ1 [J3]
 SQ2 [J3] } TO MAIN
 ASSEMBLY
 (CONT SECTION)
 (→P51)

IC351 : FM AUDIO/CX DECODER

5.9 AUDIO ASSEMBLY (DIGITAL AUDIO SECTION)

AUDIO ASSEMBLY (VWX1037) (DIGITAL AUDIO SECTION)

A
B
C
D

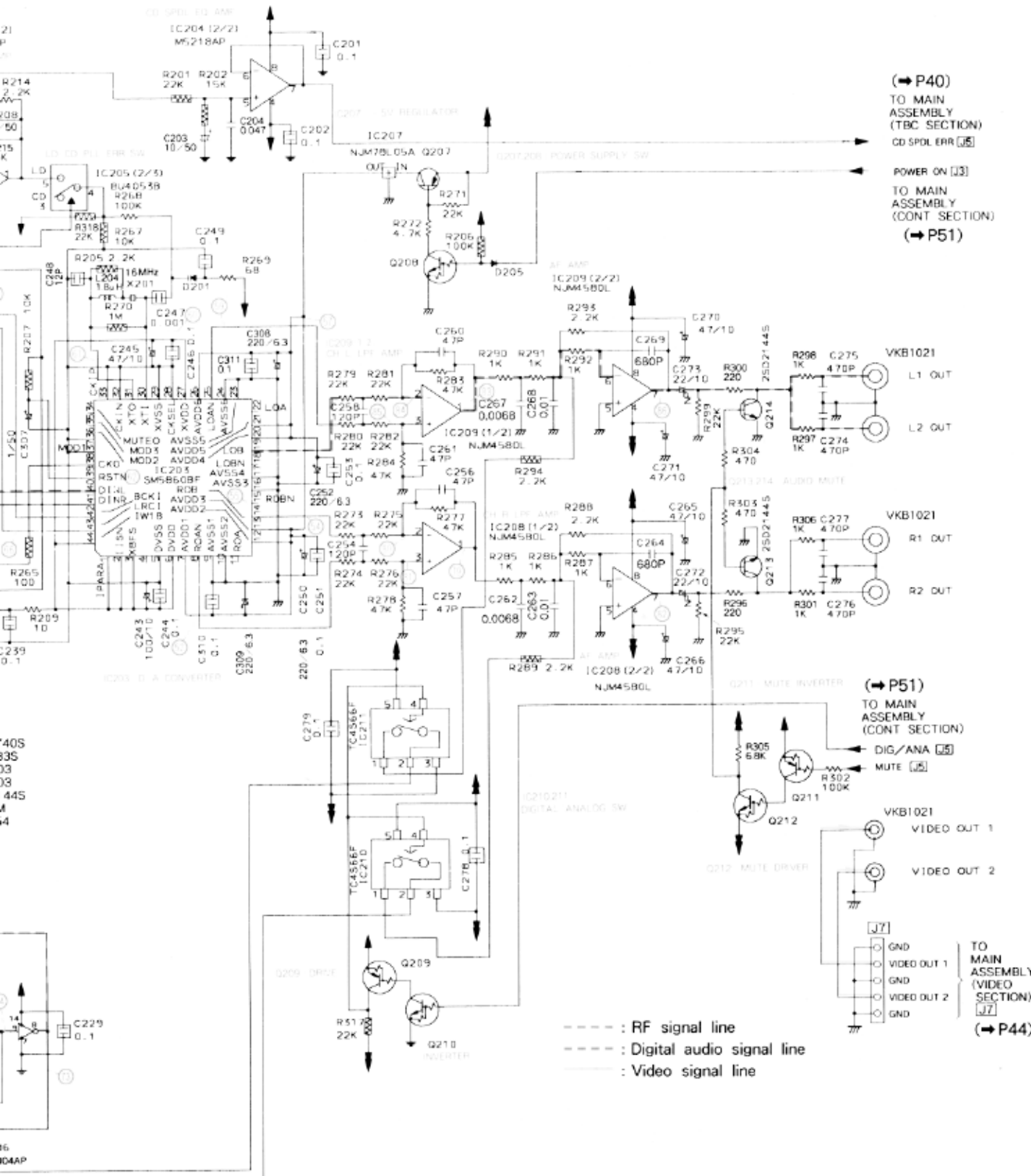


A

B

C

D



(⇒P40)
 TO MAIN ASSEMBLY (TBC SECTION)
 CD SPDL ERR [5]

POWER ON [3]
 TO MAIN ASSEMBLY (CONT SECTION)
 (⇒P51)

(⇒P51)
 TO MAIN ASSEMBLY (CONT SECTION)
 DIG/ANA [5]
 MUTE [5]

TO MAIN ASSEMBLY (VIDEO SECTION)
 [57]
 (⇒P44)

- - - : RF signal line
- · · : Digital audio signal line
- : Video signal line

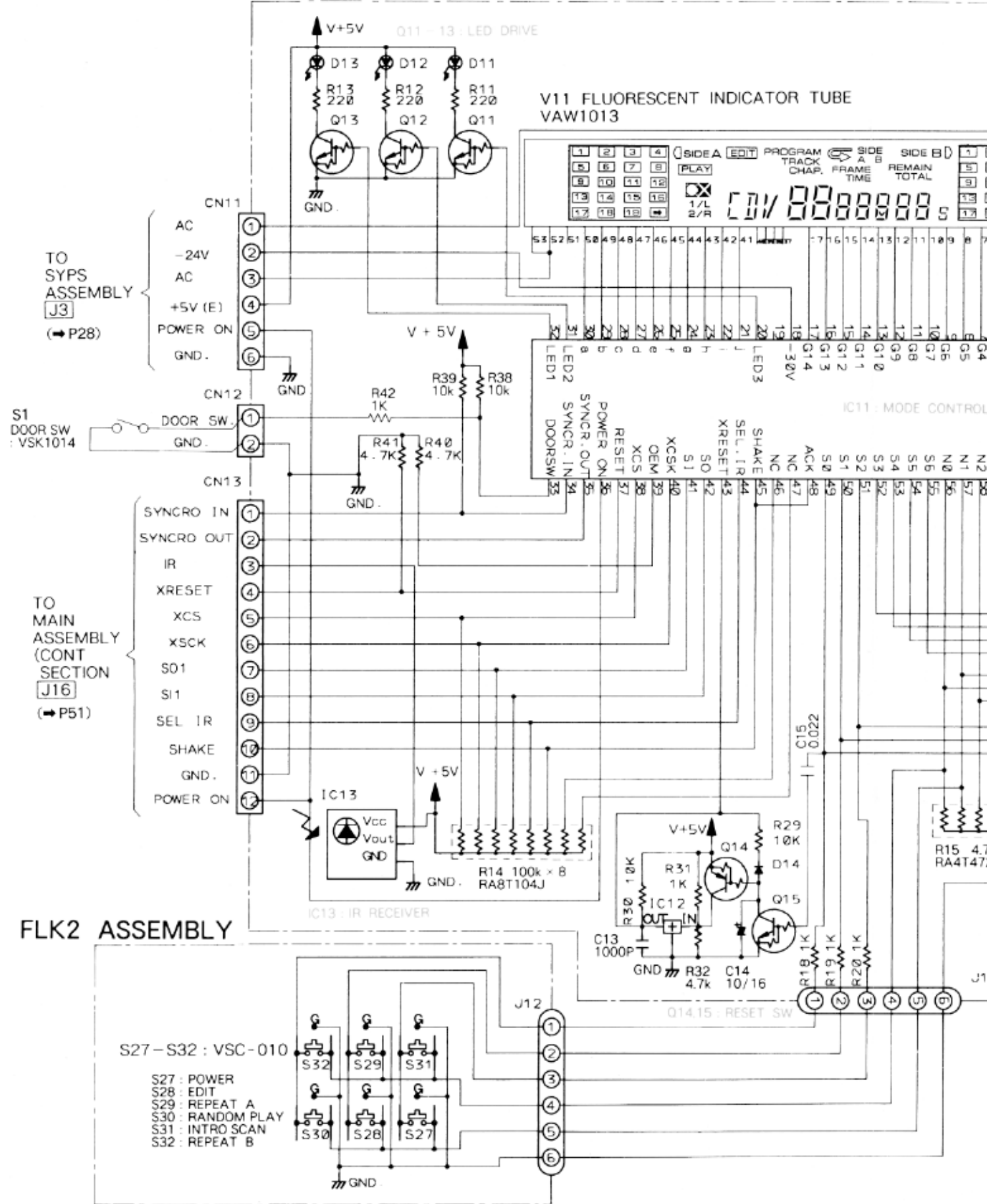
5.10 FLK1, FLK2, FLK3 ASSEMBLIES FLK1 ASSEMBLY

A

B

C

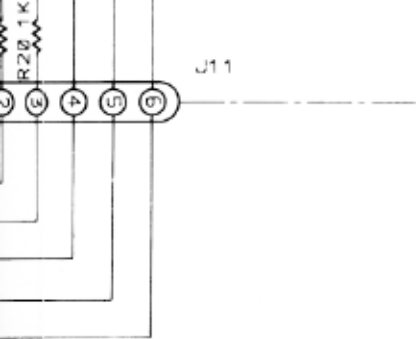
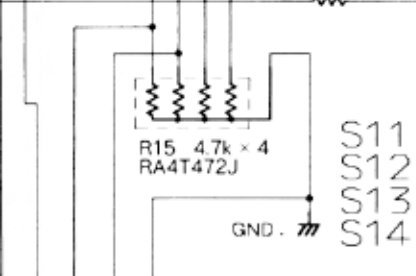
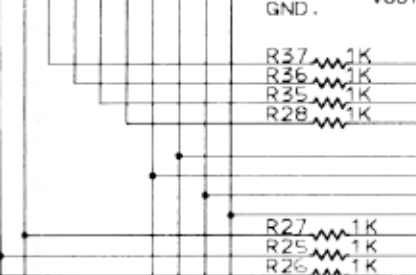
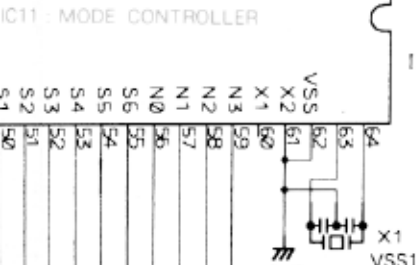
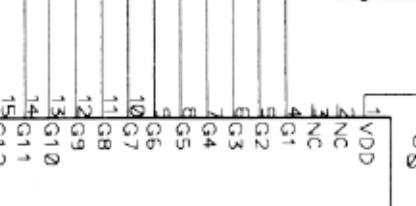
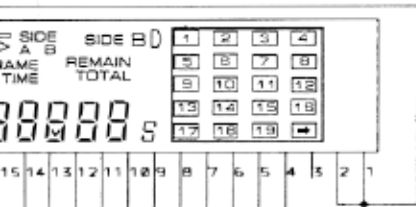
D



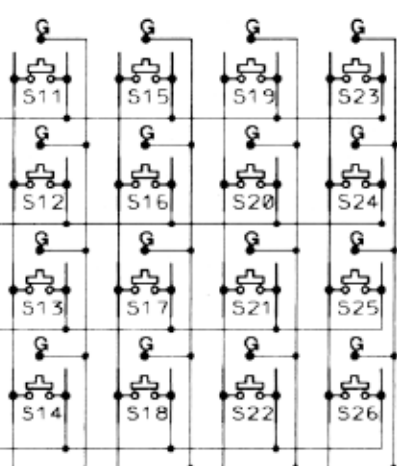
FLK2 ASSEMBLY

- S27-S32 : VSC-010
- S27 : POWER
 - S28 : EDIT
 - S29 : REPEAT A
 - S30 : RANDOM PLAY
 - S31 : INTRO SCAN
 - S32 : REPEAT B

IC11	PDB013	Q11-Q13	DTC124ES
IC12	PST529C-T	Q14	RN2204
IC13	GP1U50X	Q15	RN1202
		D11-D13	VEL1003
		D14	1SS254



S11-S26 : VSC-010

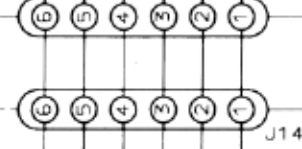
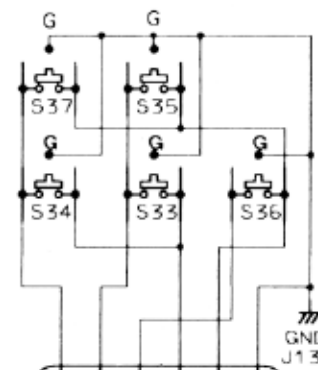


- | | | | |
|--------------------|--------------------|--------------------|--------------------|
| S11 : KEY-1 | S15 : KEY-2 | S19 : KEY-3 | S23 : KEY-4 |
| S12 : KEY-5 | S16 : KEY-6 | S20 : KEY-7 | S24 : KEY-8 |
| S13 : KEY-9 | S17 : KEY-0 | S21 : KEY+10 | S25 : PROGRAM |
| S14 : SCAN
(◀◀) | S18 : SCAN
(▶▶) | S22 : SKIP
(◀◀) | S26 : SKIP
(▶▶) |

FLK3 ASSEMBLY

S33-S37 : VSC-010

- S33 : OPEN/CLOSE
- S34 : STOP
- S35 : PLAY/PAUSE
- S36 : SIDE-B
- S37 : SIDE-A



A

B

C

D