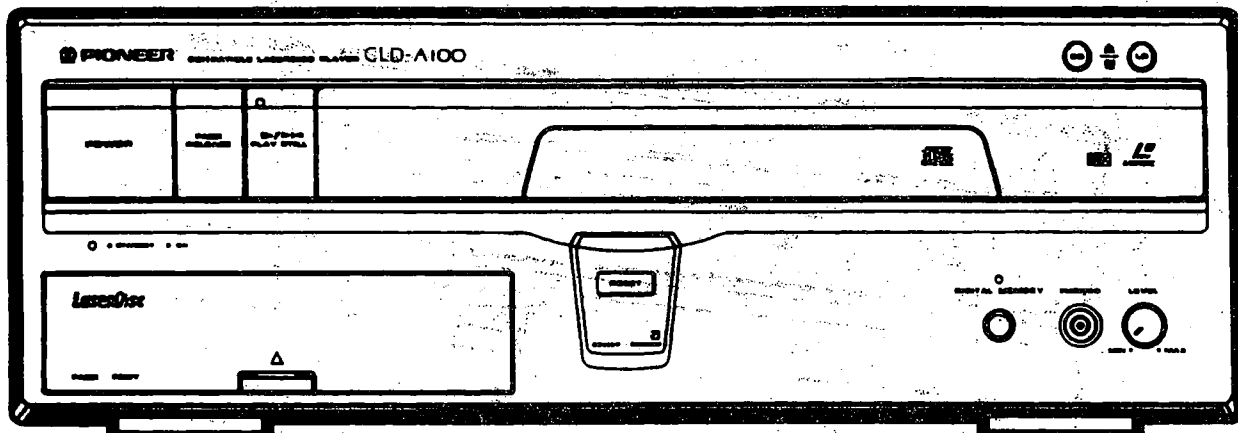


PIONEER
The Art of Entertainment

CD CDV LD PLAYER

CLD-A100



CONTROL PACK

PAC-S10

CONTROL PACK

PAC-N10

KARAOKE PACK

PAC-K1

LaserActive
LASERACTIVE

PANEL FACILITIES

PACK RELEASE BUTTON
Press to release the Control Pack.

CD STOP OPEN/CLOSE BUTTON (⏏)
Stops disc playback and open/closes the CD disc table

LD STOP OPEN/CLOSE BUTTON (⏏)
Stops disc playback and open/closes the LD disc table

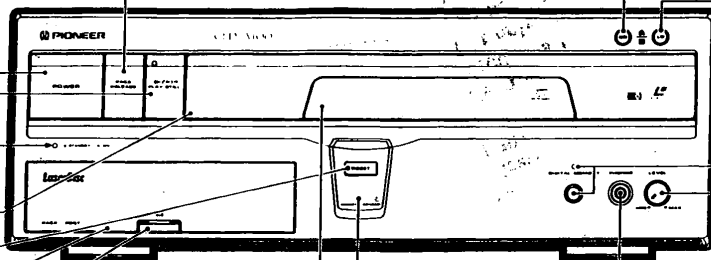
POWER SWITCH
Press to switch the power supply ON/OFF. When installing/detaching the Control Pack, ensure that the power supply is OFF.

PLAY/STILL BUTTON
Press to perform playback of the disc. Press during performing playback of an LD or CDV disc and the picture becomes still.

STANDBY/ON INDICATOR
Illuminates green when the power supply is switched ON by the power switch. When the power supply is switched OFF by the remote control unit, the indicator lights up red.

DISC TABLE RESET BUTTON
Resets the games/software when playing games software utilized by the separately sold Control Pack.

Control Pack Installation slot
Control Pack installation slot cover
Attach when the Control Pack is not installed.



CD DISC TABLE
Exclusive use CD disc table
REMOTE CONTROL SENSOR

HEADPHONES TERMINAL (PHONES)
Insert standard type headphones.

HEADPHONES VOLUME ADJUSTMENT KNOB (LEVEL)

DIGITAL MEMORY button/INDICATOR

When playing a CAV or CLV disc, turning the digital memory function ON allows you to enjoy special playback functions such as still frame and multi-speed playback with no screen disturbance. If the digital memory function is OFF, it will automatically turn ON when you fast-forward, fast-reverse or activate a special playback function (except with CAV discs). When digital memory is OFF, screen disturbance may occur momentarily when an operation such as fast-forward is carried out. However, horizontal resolution is better than when digital memory is ON.

NOTES:

- When using a special function obtained by connecting a commercially available adaptor (such as a caption adaptor), be sure to turn the digital memory function OFF. The adaptor will not function properly if digital memory is left ON.
- Screen disturbance may occur momentarily when an operation such as fast-forward, fast-reverse or a special playback function is carried out when digital memory is OFF. This is not a malfunction or disc defect.
- This player memorizes the ON/OFF condition of the digital memory function even if the power is turned off. Turn the digital memory function ON or OFF as required the next time you play a disc. The "DIGITAL MEMORY" indicator lights when digital memory is ON.

INSTALLING THE CONTROL PACK

1. Switch OFF the power supply to the main unit.
2. Remove the Control Pack Installation slot cover.

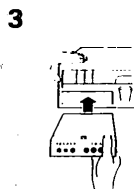
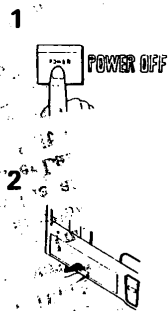
While lifting up the center of the cover with a fingernail, pull forward and detach.

3. Insert the Control Pack into the interior of the main appliance.

To install accurately, lightly hold the main appliance by the top surface and carefully insert the Control Pack until the front panel is flush with the front panel of the player.

NOTES:

- Carefully put the detached Control Pack installation cover somewhere for safekeeping, as it will be required when the Control Pack is removed from the main appliance.
- When the black lever protrudes in the top center of the Control Pack insertion slot and the Control Pack cannot be inserted, press in the RELEASE button.



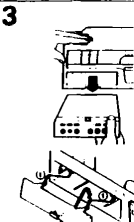
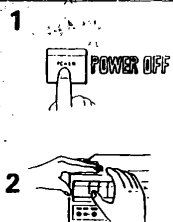
DETACHING THE CONTROL PACK

1. Switch OFF the power supply to the main unit.
2. To detach the Control Pack accurately, lightly hold the main appliance by the top surface and press the RELEASE button.

The Control Pack is partially ejected forward.

3. Detach the Control Pack.
4. Fit the Control Pack insertion slot cover.

First, introduce the top edge of the cover into the cover attachment slots on the main appliance, then fit the bottom edge into place.



SERVICE INFORMATION

(1 / 1)

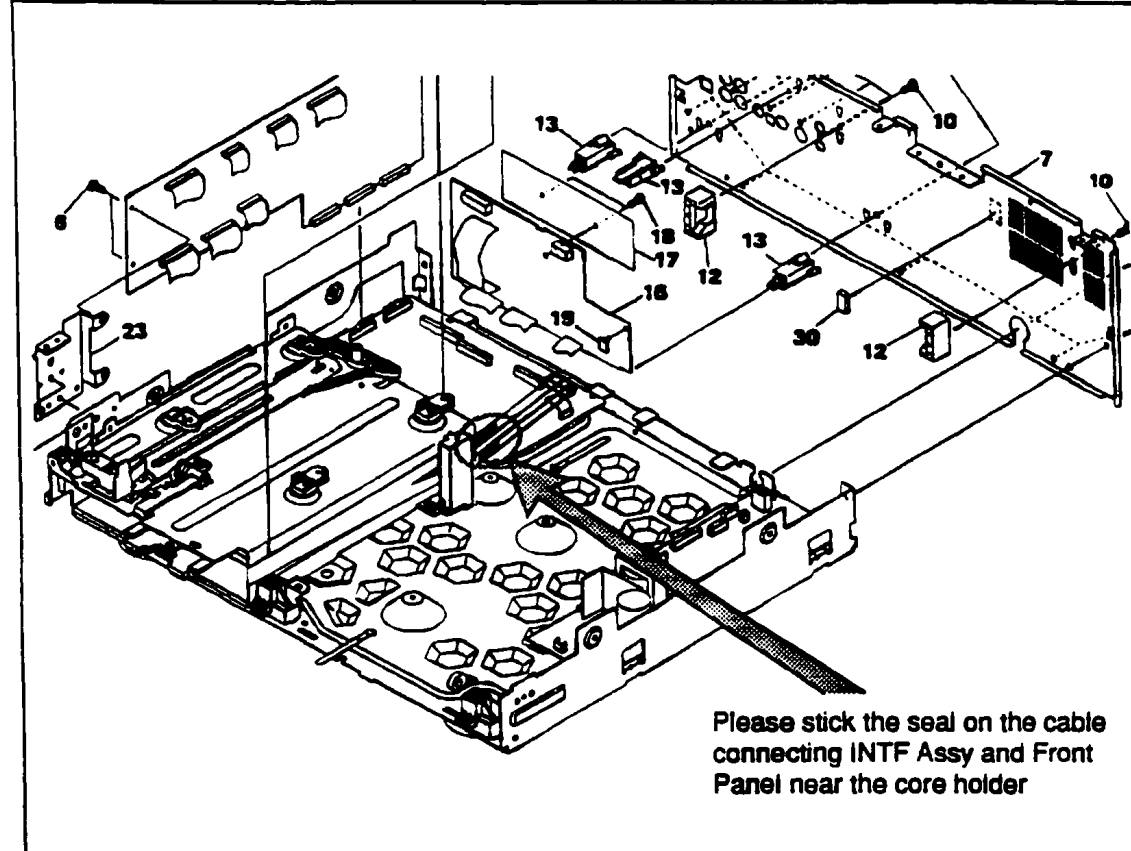


No. : SI-V48056

Date: Oct.15,1993

MODEL NO.	*	SER. NO.	MODEL NO.	*	SER. NO.	MODEL NO.	*	SER. NO.
CLD-A100/KU	A	3603101-						

#	DETAIL OF CHANGE(S)	#	REASON FOR CHANGES
1	Addition of seals to the flexible cable	1	To protect the cable from burrs on its cable



SERVICE MANUAL
MODEL : CLD-A100
S/M NO. : ARP2757
PAGE : 13
MODEL:
S/M NO. :
PAGE:
MODEL:
S/M NO. :
PAGE:
MODEL:
S/M NO. :
PAGE:

Ref.		CURRENT PARTS		CO DE	NEW PARTS	
#	#	SYMBOL/DESCRIPTION	PART NUMBER		PART NUMBER	SYMBOL/DESCRIPTION
A	1		Added	-	DEC1363	Seal

PIONEER ELECTRONIC CORPORATION

(SPC48-442, TB-16585 SPC-HK 6)

for T. Sugita

H. ABE, MANAGER
 Technical Service Information & Coordination
 Service Administration & Technical Information Dep.

SERVICE INFORMATION

(1 / 1)



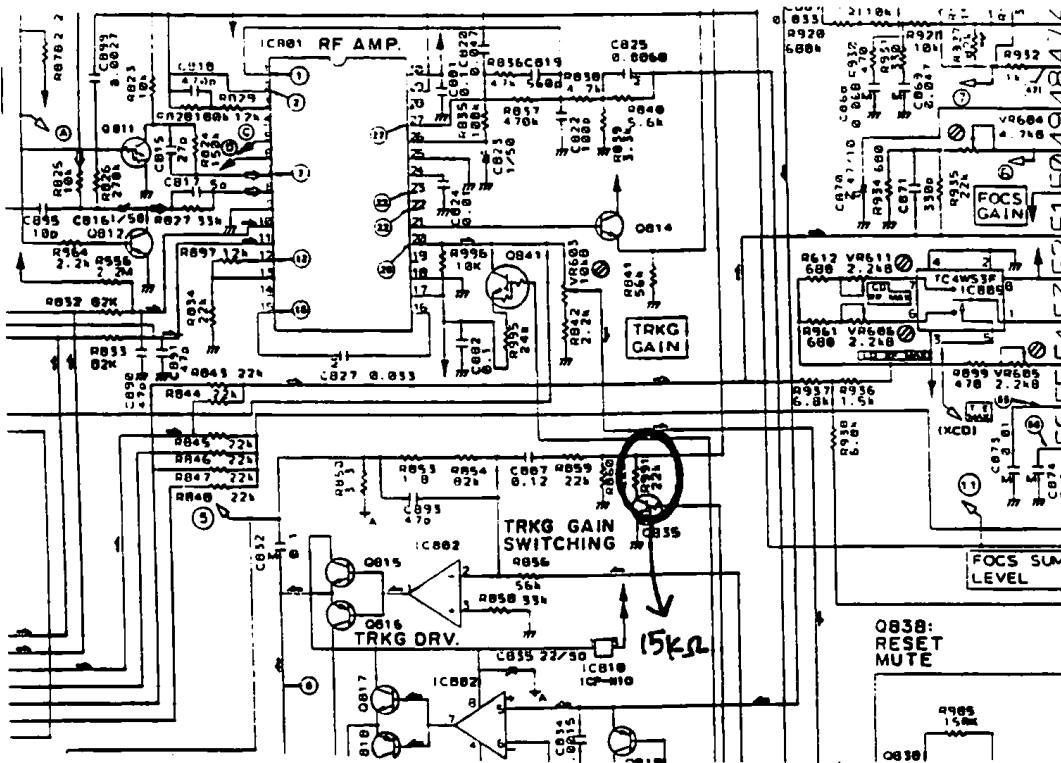
No. : SI-V48073

Date: Oct.5,1993

MODEL NO.	*	SER. NO.	MODEL NO.	*	SER. NO.	MODEL NO.	*	SER. NO.
CLD-A100/KU		A NG3603101-						

#	DETAIL OF CHANGE(S)	REASON FOR CHANGES
1	Change of a resistor in FTSB Assy	To improve playability

FTSB Assy



SERVICE MANUAL

MODEL : CLD-A100

S/M NO. : ARP2757

PAGE : 31

MODEL :

S/M NO. :

PAGE :

MODEL :

S/M NO. :

PAGE :

MODEL :

S/M NO. :

PAGE :

Ref.	CURRENT PARTS		CO	NEW PARTS	
#	SYMBOL/DESCRIPTION	PART NUMBER	DE	PART NUMBER	SYMBOL/DESCRIPTION
A 1	R991 (22kΩ)	RS1/10S223J	2	RS1/10S153J	R991 (15kΩ)

PIONEER ELECTRONIC CORPORATION

(SI48631, SPC48-344, TB-16262 SPC-KI 6)

for T. Sugita
H. ABE, MANAGER

Technical Service Information & Coordination
 Service Administration & Technical Information Dep.

SERVICE INFORMATION

(1 / 2)



No. : SI-V48117-G
Date: Dec. 21, 1993

MODEL NO.	*	SER. NO.	MODEL NO.	*	SER. NO.	MODEL NO.	*	SER. NO.
CLD-A100/KU	A	NH3606101-						
CLD-A100/KU	B	NI3614001-						

#	DETAIL OF CHANGE(S)	REASON FOR CHANGES
1	Change of the shape of Chassis	X To prevent mechanical noise from being audible when an LD disc is played
2	Change of Rear panel and Front stay, and deletion of spacers	

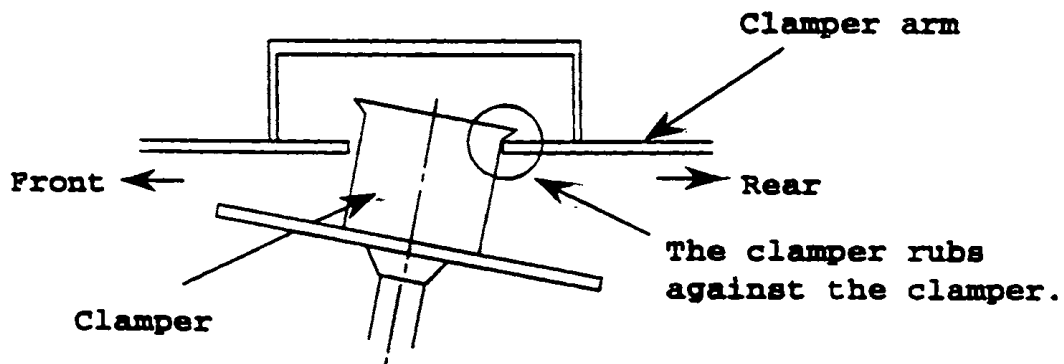
<PROBLEM> Mechanical noise is audible when an LD disc is played.

<CAUSE> When an LD disc is clamped, the motor center axis is slanted due to:

- The height of the mech mounting portions on the Chassis is lower by 0.5mm.
- The mounting position of the mechanism is deviated toward the rear side.

Therefore, the clamper rubs against the clamper arm at the rear side.

SERVICE MANUAL
MODEL : CLD-A100
S/M NO. : ARP2757
PAGE : 11, 13, 14



[Fig. 1]

- Please turn over. -

Ref.	CURRENT PARTS				NEW PARTS	
	* #	SYMBOL/DESCRIPTION	PART NUMBER	CODE	PART NUMBER	SYMBOL/DESCRIPTION
B 2	Rear panel	(NSP)	-	DNA1135	Rear panel	
B 2	Front stay	DNE1207	-	(Unchanged)	Front stay	
B 2	Spacer	DEC1743	-	Deleted		

PIONEER ELECTRONIC CORPORATION

(PA39055, TLD48-046, TB-16769 MK 120)

H. ABE

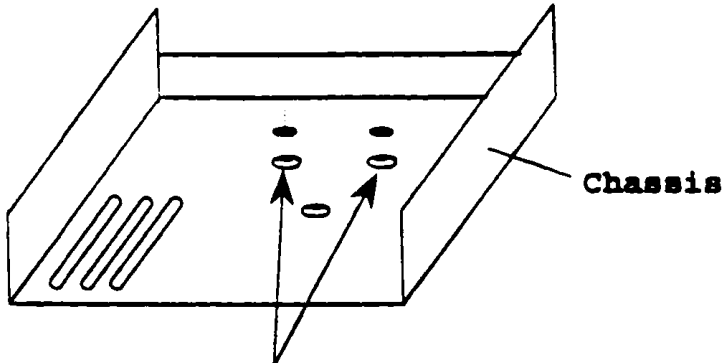
H.ABE, MANAGER
Technical Service Information & Coordination
Service Administration & Technical Information Dep.

<SERVICE REMEDY>

When you encounter the above problem:

1. Stick 1 or 2 spacers (DEC1743) to the mech mounted portions of the chassis. (See Fig. 2) (One spacer has already been stuck there from the 1st production.)
2. If mechanical noise remains after the spacers are stuck, replace the rear panel and the front stay with the new parts (DNA1135 & DNE1207).

* As to the rear panel and the front stay, only the new parts are available.



[Fig. 2]

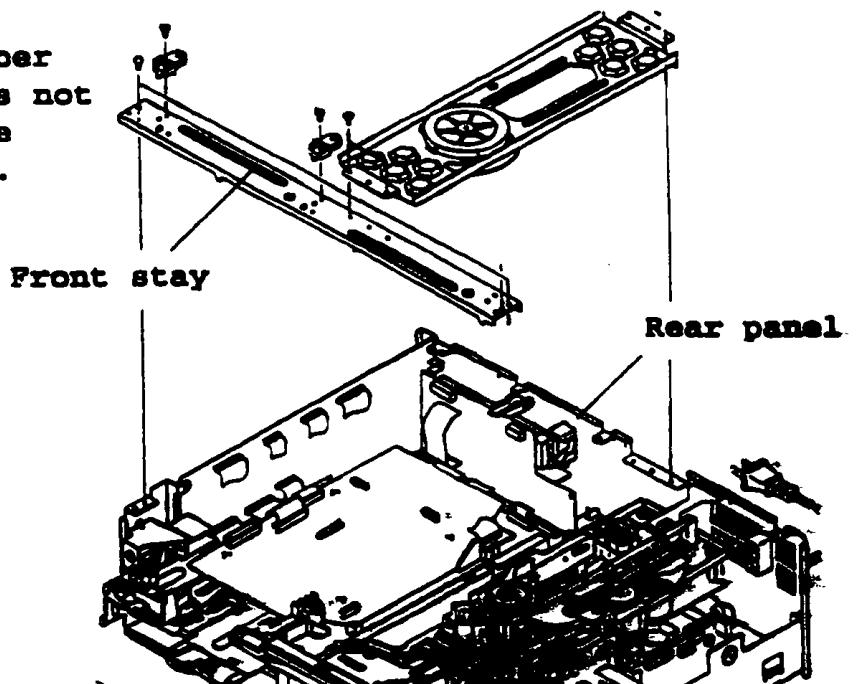
Stick one or two spacers (DEC1743) to these portions.

<COUNTERACTION IN FACTORY>

- 1) Improved the shape of the chassis.
- 2) Changed Rear panel and Front stay, and deleted spacers from the chassis.

Rear panel:	N.S.P.	---	>	DNA1135
Front stay:	DNE1207	---	>	DNE1207*
Spacers (x4):	DEC1743	---	>	Deleted

* Although the part number for the front stay has not been changed, only the new part is available.

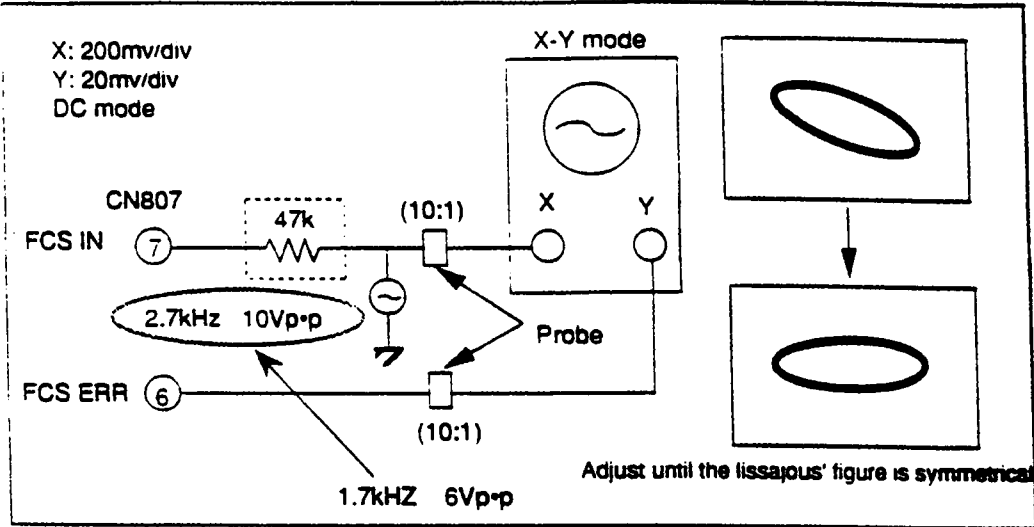


MODEL [S/M NO.]	PAGE	INCORRECT	CORRECT
----------------------	------	-----------	---------

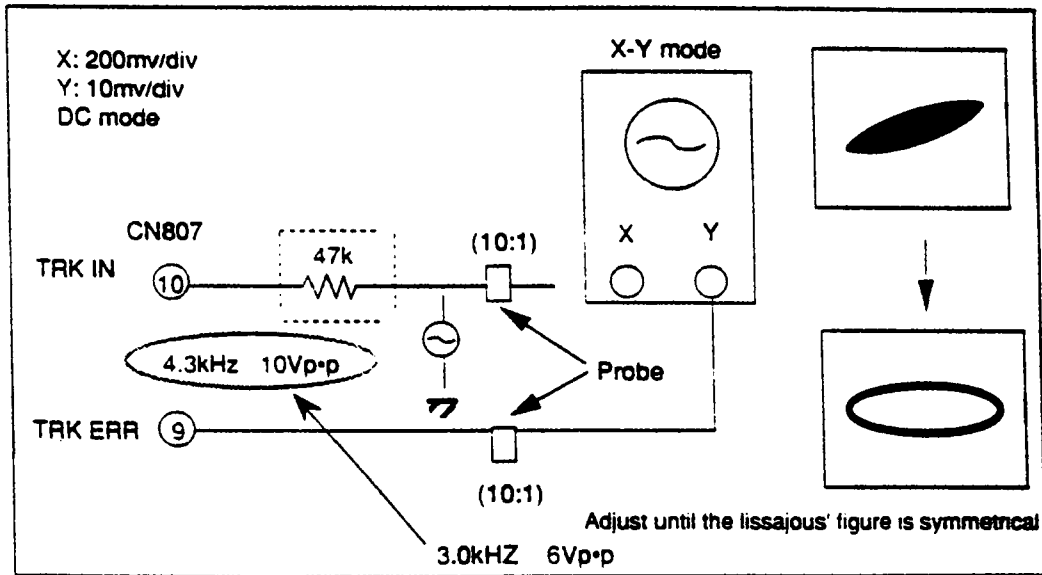
3LD-A100
[ARP2757]

80

FCS SERVO LOOP GAIN ADJUSTMENT



TRKG SERVO LOOP GAIN ADJUSTMENT



SERVICE INFORMATION Technical Services (1 / 2)



No. : SI-V48194-G
Date: MAR.25,1994

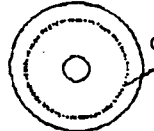
MODEL NO.	*	SER. NO.	MODEL NO.	*	SER. NO.	MODEL NO.	*	SER. NO.
CLD-A100/KU	A	3620701						

#	DETAIL OF CHANGE(S)	X	REASON FOR CHANGES
1	ADDITION OF SPACER PADS ON VIDEO ASS'Y	X	TO PREVENT THE 12 INCH DISC FROM BEING SCRATCHED

<PROBLEM> THE 12 INCH DISC GETS SCRATCHED WITH A CIRCULAR MARK.

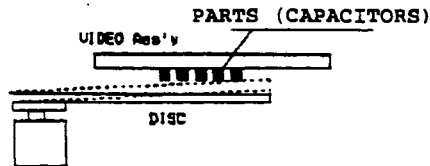
<CAUSE> DUE TO CLOSE DISTANCE BETWEEN THE DISC AND VIDEO ASS'Y IN THE DISC CLAMPED STATUS, PARTS (CAPACITORS, ETC.) MOUNTED ON VIDEO ASS'Y CONTACT WITH THE DISC WHEN A SHOCK IS APPLIED TO THE UNIT DURING PLAYBACK, CAUSING A CIRCULAR SCRATCH ON THE DISC.

FIG.1



12 INCH DISC

FIG.2



<SERVICE REMEDY> PLEASE ADD FOUR SPACER PADS ON THE PARTS MOUNTED SIDE OF VIDEO ASS'Y TO PREVENT A SIGNAL RECORDED AREA OF THE DISC FROM BEING SCRATCHED WITH A PROTECTIVE CONTACT OF THE DISC EDGE WITH THE SPACER PADS.

---PLEASE TURN OVER---

SERVICE MANUAL

MODEL : CLD-A100

S/M NO. : ARP2757

PAGE : 40

MODEL:

S/M NO.:

PAGE:

MODEL:

S/M NO.:

PAGE:

MODEL:

S/M NO.:

PAGE:

Ref.	CURRENT PARTS		CO DE	NEW PARTS	
	#	SYMBOL/DESCRIPTION		PART NUMBER	PART NUMBER
A	1		-	GXX1089	SPACER PAD KIT

PIONEER ELECTRONIC CORPORATION

TLD48-082 KI

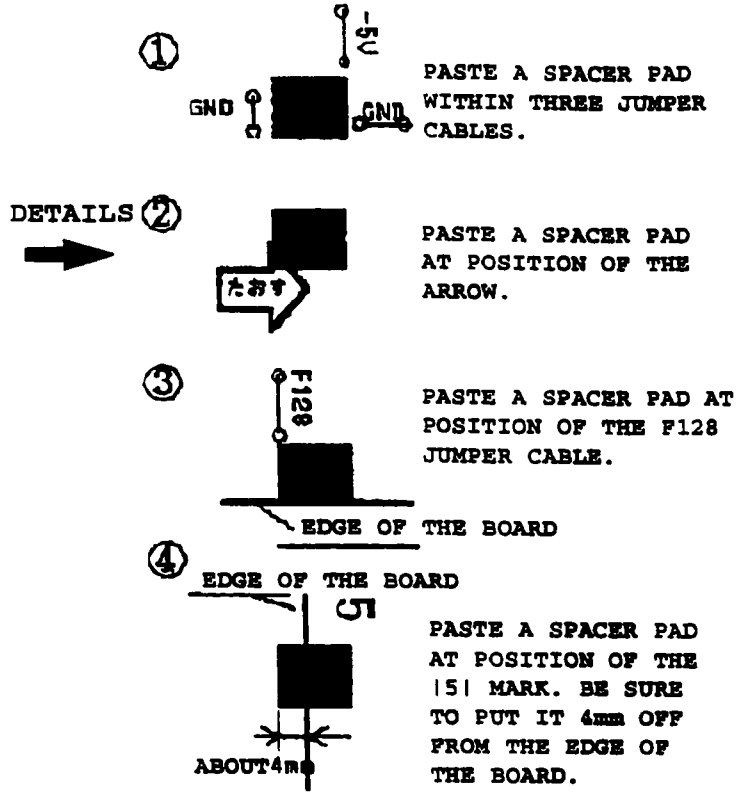
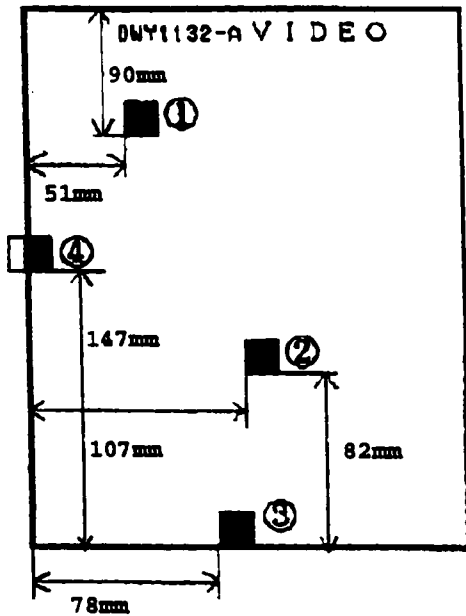
Y. Imamizu

Y. IMAMIZU, MANAGER
HE Engineering Section
Service Dep.

SPACER PAD KIT: GXX1089

PARTS INCLUDED IN THE KIT: ① - ③ REB1187 (WITH ADHESIVE TAPE) X 3
 ④ DEB1044 (WITH ADHESIVE TAPE) X 1

FIG.3:VIDEO ASS'Y-PARTS MOUNTED SIDE



*NOTE (1) PLEASE LOCATE A SPACER PAD WITHIN $\pm 1.0\text{mm}$ IN TOLERANCE.

(2) AFTER PASTING A SPACER PAD ON THE BOARD, PLEASE APPLY THE SILICONE ADHESIVE (GYL-1002) AT TWO POSITIONS OF THE PAD AS SHOWN RIGHT. ALSO, PLEASE ASSEMBLE BOARDS INTO THE UNIT AFTER THE ADHESIVE GETS DRY.



<COUNTER ACTION AT FACTORY> IN ADDITION OF THE SAME ACTION AS SERVICE REMEDY, TWO CABLE BINDERS HAVE BEEN ELIMINATED AT THE FACTORY.

SERVICE INFORMATION

(1/1)



No. : SI-V49002-G

Date: APR.12,1994

MODEL NO.	*	SER. NO.	MODEL NO.	*	SER. NO.	MODEL NO.	*	SER. NO.
CLD-A100/KU	A	NJ3615501						
PAC-S10/ZU	B	**3615501						

#	DETAIL OF CHANGE(S)	REASON FOR CHANGES
1	CHANGE OF INTF ASS'Y OF CLD-A100	TO ACTIVATE MUTE FUNCTION BY MODIFYING MODE-CONTROL ROM OF CLD-A100 AND BIOS-ROM OF PAC-N10.
2	CHANGE OF IC23 IN SMAIN ASS'Y OF PAC-S10	

<p><PROBLEM> IN CASE CLD-A100 IS USED WITH PAC-S10, AUDIO NOISE IS NOTICEABLE AFTER POWER TURNS ON OR WHEN A REGULAR CD/LD DISC IS PLAYED.</p> <p><CAUSE> WHEN CLD-A100 IS CONNECTED WITH PAC-S10, A SLIGHT AMOUNT OF NOISE ALWAYS RUNS INTO FM AUDIO GENERATED FROM IC6 IN SMAIN ASS'Y OF PAC-S10, REGARDLESS OF THE STATUS OF CLD-A100.</p> <p><COUNTERACTION IN FACTORY></p> <p>MODE-CONTROL ROM IN INTF ASS'Y OF CLD-A100 AND BIOS-ROM IN SMAIN ASS'Y OF PAC-S10 HAVE BEEN CHANGED TO ACTIVATE MUTE FUNCTION AGAINST THE NOISE. AUDIO OUTPUT GENERATED FROM CLD-A100 WILL BE MUTED AFTER POWER TURNS ON, AND FM AUDIO GENERATED FROM PAC-S10 WILL BE MUTED WHEN A REGULAR DISC, EXCEPT A GAME SOFTWARE, IS PLAYED.</p> <p>(1) CLD-A100/KU: INTF ASS'Y HAS BEEN CHANGED BY DWM1341.</p> <p>*PART NUMBER OF DWM1341, INCLUDING A MODIFIED MODE CONTROL ROM (DYW1326), REMAINS SAME.</p> <p>(2) PAC-S10/ZU: IC23 IN SMAIN ASS'Y HAS BEEN CHANGED BY PDJ008E.</p>	<p style="text-align: center;">SERVICE MANUAL</p> <p>MODEL :CLD-A100</p> <p>S/M NO.:ARP2757</p> <p>PAGE :P.53</p> <hr/> <p>MODEL:PAC-S10</p> <p>S/M NO.:ARP2779</p> <p>PAGE :P.2</p> <hr/> <p>MODEL:</p> <p>S/M NO.:</p> <p>PAGE:</p> <hr/> <p>MODEL:</p> <p>S/M NO.:</p> <p>PAGE:</p>
---	---

Ref.	CURRENT PARTS			CO	NEW PARTS	
#	#	SYMBOL/DESCRIPTION	PART NUMBER	DE	PART NUMBER	SYMBOL/DESCRIPTION
B	2	IC23 (PAC-S10)	PDJ008D	1	PDJ008E	IC23 (PAC-S10)

G. Yamazaki

SERVICE INFORMATION



No. :SI-V49016-G

Date: MAY.6,1994

MODEL NO.	*	SER. NO.	MODEL NO.	*	SER. NO.	MODEL NO.	*	SER. NO.
PAC-S10/ZU	A	6919901-						
#	DETAIL OF CHANGE(S)				REASON FOR CHANGES			
1	CHANGE OF AUDIO MIX CIRCUIT				X	TO PREVENT HIGH FREQUENCY AUDIO OF GAME SOFTWARE FROM BEING DISTORTED		
<p><PROBLEM> WHEN A CERTAIN SEGA GAME SOFTWARE IS PLAYED, HIGH FREQUENCY AUDIO IS DISTORTED.</p> <p><CAUSE> IN CASE THE RECORDING LEVEL OF A SEGA GAME SOFTWARE IS HIGH IN AUDIO, AUDIO OUTPUT FROM OP-AMP (SSUB ASSY:IC10) IS DISTORTED DUE TO HIGH CURRENT OPERATION OF THE AUDIO MIX CIRCUIT.</p> <p><NOTE> SINCE YOU HAVE NO SCHEMATICS IN THE SERVICE MANUAL, PLEASE JUST TAKE THE SERVICE REMEDY IN THE FOLLOWING PAGE AS YOUR INFORMATION FOR THE CUSTOMER'S COMPLAINT ON A CERTAIN SEGA GAME SOFTWARE.</p>							SERVICE MANUAL	
							MODEL :PAC-S10	
							S/M NO.:ARP2779	
							PAGE :2	
Ref.	CURRENT PARTS			CO	NEW PARTS			
# #	SYMBOL/DESCRIPTION	PART NUMBER		DE	PART NUMBER	SYMBOL/DESCRIPTION		
A 1	R31	RS1/108332J		1	RS1/108333J	R31		
A 1	R32	RS1/108332J		1	RS1/108333J	R32		
A 1	R58	RS1/108332J		1	RS1/108333J	R58		
A 1	R59	RS1/108332J		1	RS1/108333J	R59		
A 1	R33	RS1/108103J		1	RS1/108104J	R33		
A 1	R34	RS1/108103J		1	RS1/108104J	R34		
A 1	R38	RS1/108222J		1	RS1/108223J	R38		
A 1	R40	RS1/108222J		1	RS1/108223J	R40		
A 1	R39	RS1/108331J		1	RS1/108332J	R39		
A 1	R41	RS1/108331J		1	RS1/108332J	R41		
A 1	R42	RS1/108272J		1	RS1/108273J	R42		
A 1	R131	RS1/108272J		1	RS1/108273J	R131		
A 1	C33	CCSQCH822J50		1	CCSQCH821J50	C33		
A 1	C34	CCSQCH822J50		1	CCSQCH821J50	C34		
A 1	C16	CCSQCH122J50		1	CCSQCH121J50	C16		
A 1	C17	CCSQCH122J50		1	CCSQCH121J50	C17		
A 1	C117	CEV100M16		1	CEV010M50	C117		
A 1	C118	CEV100M16		1	CEV010M50	C118		
A 1	C21	CEV100M16		1	CEV010M50	C21		
A 1	C140	CEV100M16		1	CEV010M50	C140		

PIONEER ELECTRONIC CORPORATION

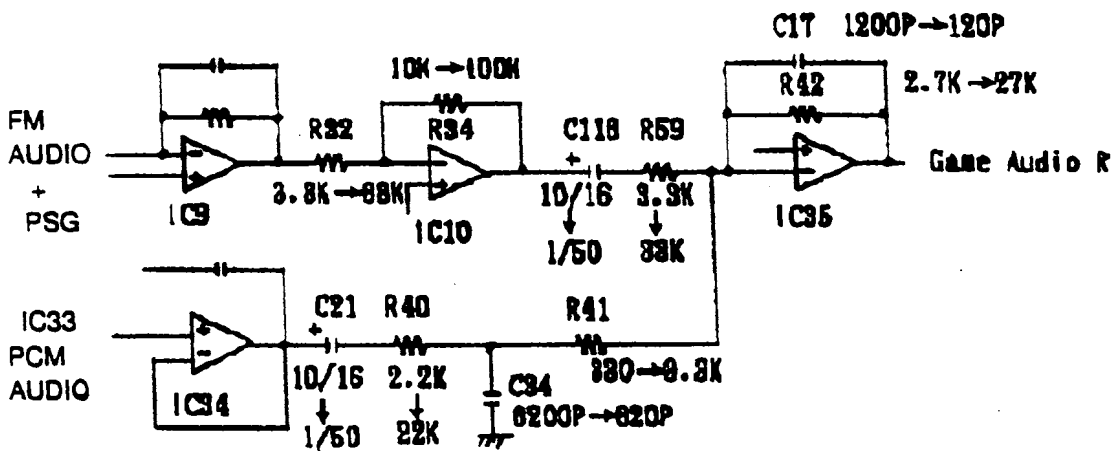
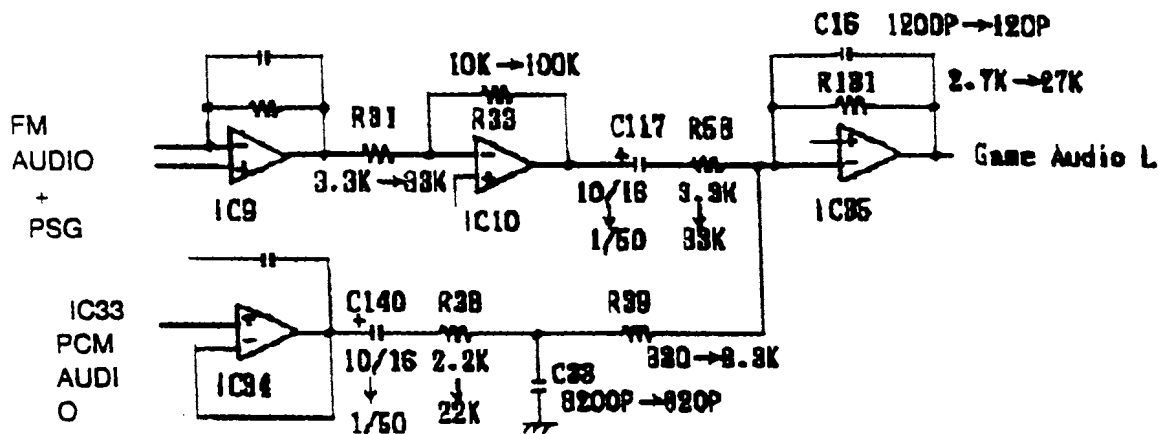
TLD48-062, KI

Y. Imamizu
 Y. IMAMIZU, MANAGER
 HE Engineering Section

<SERVICE REMEDY>

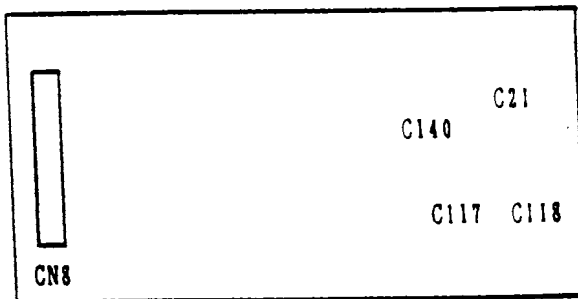
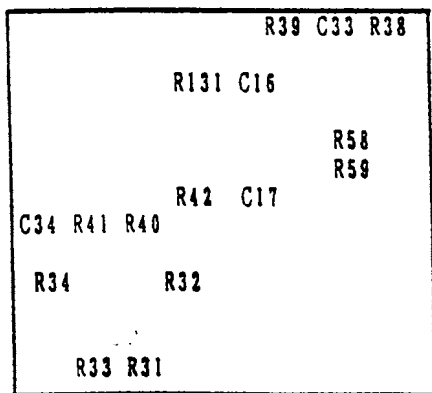
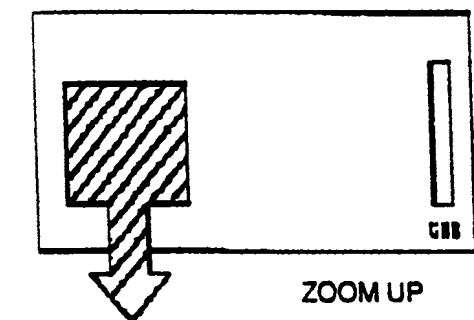
PLEASE MODIFY THE AUDIO MIX CIRCUIT AS SHOWN BELOW.

[FIG.1: AUDIO MIX CIRCUIT OF SSUB ASSY]



[FIG.2: SSUB ASSY REVERSE SIDE]

[FIG.3: SSUB ASSY PARTS MOUNTED SIDE]



CLDA100 06/18/94 SI-BULLETIN SEARCH F1 - Help
SI-PG93010 Importance 0 To ASC YES Fiche Yr 93
LASER ACTIVE SERVICE PROGRAM
PROCEDURES REGARDING FIELD SERVICE OF PIONEER CLDA100 LASER ACTIVE SYSTEM

SI-V48090-G Importance 1 To ASC YES Fiche Yr 93
CHANGE OF EJECT LEVER
INCREASE STRENGTH OF EJECT LEVER AGAINST EXTERNAL STRESS

SI-V48117-G Importance 1 To ASC YES Fiche Yr 93
CHANGE OF CHASSIS SHAPE, REAR PANEL AND FRONT STAY, DELETION OF SPACERS
PREVENT MECHANICAL NOISE FROM BEING AUDIBLE WHEN AND LD DISC IS PLAYED

SI-V48194-G Importance 1 To ASC YES Fiche Yr 94
ADDITION OF SPACER PADS ON VIDEO ASSY
PREVENT 12 INCH DISC FROM BEING SCRATCHED

SI-V480123 Importance 3 To ASC NO Fiche Yr 0
CIRCUIT CHANGE OF VIDEO ASSY
PREVENT ELECTRICAL LEAKAGE

SI-V48056 Importance 3 To ASC YES Fiche Yr 93
ADDITION OF SEALS TO THE FLEXIBLE CABLE
PROTECT THE CABLE FROM BURRS ON ITS CABLE

CLDA100	06/18/94	SI-BULLETIN SEARCH						2
SI-V48072			Importance 3	To ASC	YES			F1 - Help
CORRECTION TO SERVICE MANUAL							Fiche Yr	93
SEE SERVICE BULLETIN								

SI-V48073			Importance 3	To ASC	YES			Fiche Yr 93
CHANGE OF A RESISTOR IN FTSB ASSY								
IMPROVE PLAYABILITY								

SI-V48076			Importance 3	To ASC	NO			Fiche Yr 0
ADDITION OF SHIELD SHEET ASSY ON PATTERN SIDE OF RGBB ASSY								
SUPPRESS BEAT NOISE WHEN BLACK PICTURE APPEARS ON SCREEN								

SI-V48116			Importance 4	To ASC	NO			Fiche Yr 0
CORRECTION TO SERVICE MANUAL								
SEE SERVICE BULLETIN								

SI-V48169			Importance 4	To ASC	NO			Fiche Yr 0
CORRECTION TO SERVICE MANUAL								
SEE SERVICE BULLETIN								

CHAPTER VII

CLD-A100 LaserActive

The LaserActive format represents Pioneer's latest extension of the LaserDisc family of products. LaserActive is a specialized application of LD-ROM technology in a consumer oriented product. The Pioneer CLD-A100 is a comparatively high-end combination CD/LaserDisc player with an expansion slot that can accept a variety of add-on modules. One module adds compatibility with the Sega Genesis/CD video game system. A second supports all NEC Duo Soft game programs, while a third supports LaserKaraoke sing-along discs. Additional modules can be developed for future applications. The LaserActive system will, with the appropriate module installed, play Pioneer LaserActive software, Sega or NEC Duo Soft (TurboGrafx) CD-ROM or game cartridges, as well as all standard Laser Discs, CD audio Discs, CDG, and Karaoke discs. See software groups.

Since LaserActive holds more digital information than CDs, there is enormous potential and versatility. The graphics provided by the add-on modules are equal to their video game counterparts, but include the sharp full-motion video quality of a LaserDisc.

CLD-A100 has the capability to accommodate up to ten different software platforms in the same system. Currently there are thousands of existing entertainment and educational LD titles, Sega CD's, and NEC Turbo games, and LaserKaraoke programs. New

programs currently being developed for the Mega-LD and LD-ROM² formats will offer even more variety.

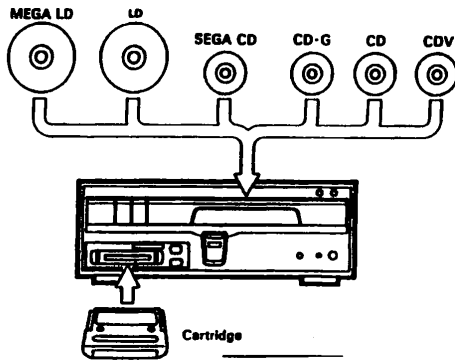
With the expansion capabilities of the LaserActive system, the CLD-A100 is designed as a true interactive home player to be enjoyed immediately, and grow as multimedia technology offers new horizons.

Player Features and Functions

- LaserActive compatibility is accessible by installing a separately sold game pack. See section on software groups.
 - Laser Karaoke compatibilities when mated with the control pack (PAC-K1).
 - Convenient search functions available to find a desired scene or chapter.
 - Center CD disc table mechanism and direct CD circuitry similar to the CLD-S201.
 - Even as a stand alone unit the CLD-A100 has multiple disc compatibility. Not only normal LDs, CDs, and CLVs can be used, but also thin-type 8-inch LD and 3-inch CDs can be played without an adapter.
-

Software Groups

With the PAC-S10, customers can play the Sega cartridges and discs marked with the logos shown below.



• Only the following Cartridge and discs are available with the LaserActive.



CD (5 inch, 3 inch)



CD graphics

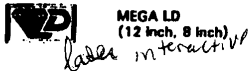
• The following discs can be used by playing back with the CD CDV LD player compatible with LaserActive.



LD (12 inch, 8 inch)



CDV (CD VIDEO)
CD Video Single



LD with TOC
(CD VIDEO LD)
(12 inch, 8 inch)

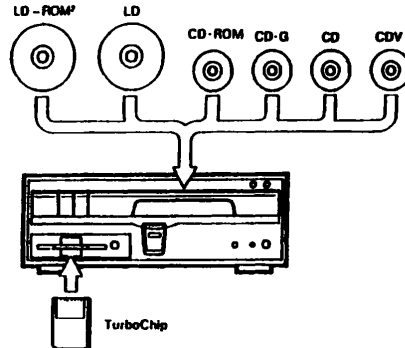


NOTE:

CD-I game discs of other models and electronic book discs can not be used with either game packs. LaserActive is not compatible with CD graphics marked with:



By installing PAC-N10, the CLD-A100 becomes compatible with TurboGrafx-16 chips and discs.



• Only the following TurboChips are available with the LaserActive.



TurboChip



CD (5 inch, 3 inch)



CD graphics

The following discs can be used by playing back with the CD CDV LD player compatible with LaserActive.



LD (12 inch, 8 inch)



Turbo Grafx-CD
CD-ROM



CDV (CD VIDEO)
CD Video Single



TurboDuo

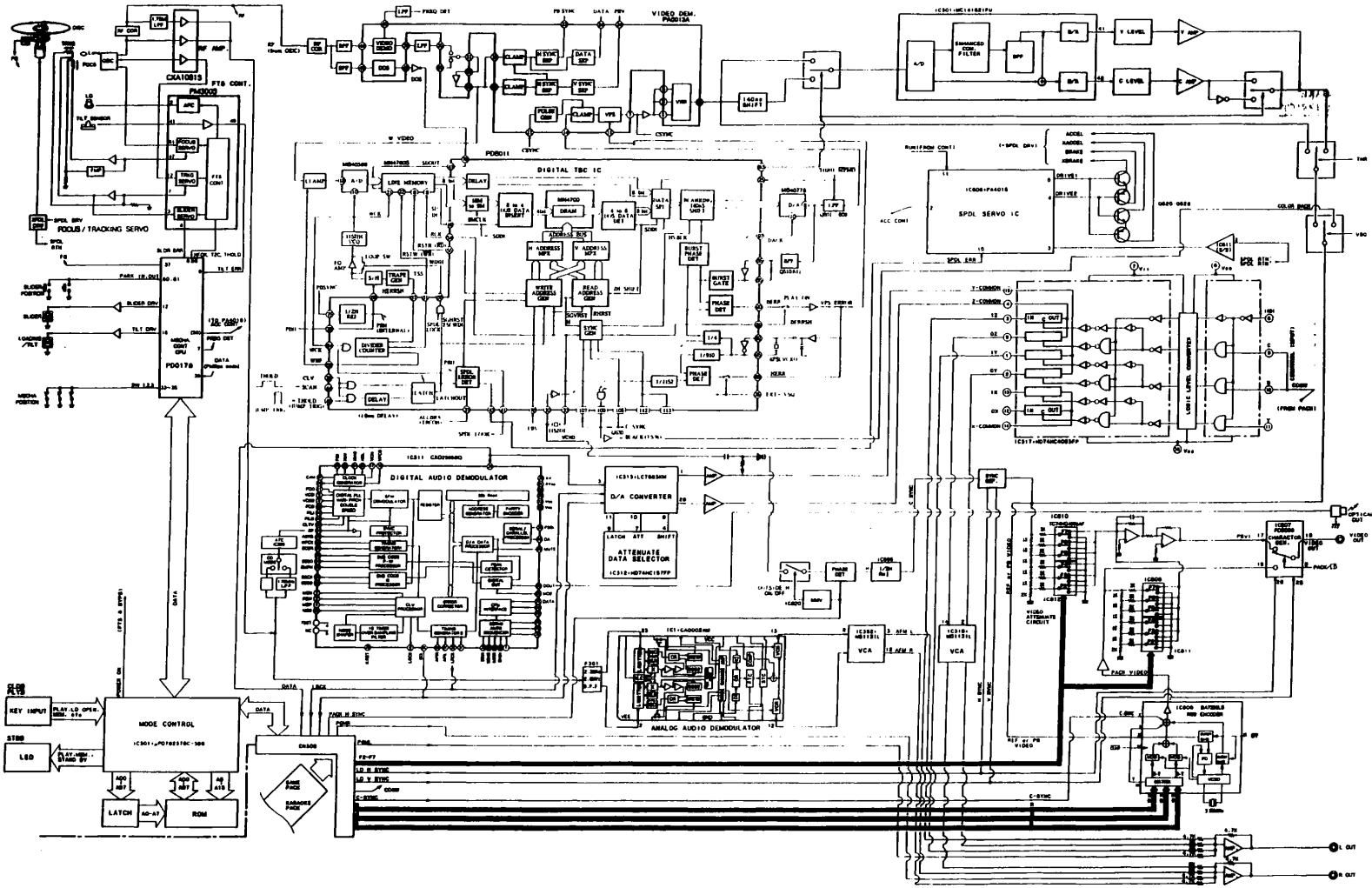


LD with TOC
(CD VIDEO LD)
(12 inch, 8 inch)



LD ROM¹
(12 inch, 8 inch)

BLOCK DIAGRAM



POLICY GUIDE

To: All Authorized LaserDisc Service Companies
From: National Service Operations
Subject: LaserActive Service Program

Effective immediately, following are the procedures regarding field service of Pioneer CLD-A100 LaserActive Systems.

<u>Model Number</u>	<u>Description</u>
CLD-A100	Combination CD/LD/LaserActive Player
PAC-N10	"LD-ROM " Game Pack (with hand controller)
PAC-S10	"MEGA-LD" Game Pack (with hand controller)
PAC-K1	Karaoke Pack

Limited Warranty

The Pioneer LaserActive System has a one (1) year Limited Warranty against manufacturing defects for the CLD-A100 and all three packs. The hand controllers used with the game packs have a ninety (90) day Limited Warranty. Please refer to the warranty document enclosed with the product for complete details.

When a Consumer Requests Service

Advise the consumer to bring in all elements of their system: the CLD-A100; any game packs or Karaoke packs they own with the hand controllers; game software they normally use, or the specific game with which there may be a problem.

In cases where it is obvious a normal CD or LD symptom relates to the player only, it may not be necessary to have the consumer bring in the packs or game software.

Game/Karaoke Packs and Hand Controllers

The game and Karaoke packs, as well as their hand controllers are not field serviceable. If a problem is diagnosed as possibly due to pack or controller failure, please use the following procedure to obtain an in-warranty replacement.

1. Contact your Zone Office of Technical Service (OTS) and request a "product exchange Service Return Authorization," (SRA), for the pack/controller in question. Provide all information they request.
2. An exchange pack/controller should arrive within five (5) working days. Contact the OTS if delivery is delayed.
3. The exchange paperwork will arrive by mail independent of the product. Make a copy for your records if necessary. Place the paperwork (yellow copy of SRA) with the defective pack/controller, mark the SRA # on the outside of the carton box and return to Pioneer Electronics Service, Inc., at the address listed on the SRA form

DO NOT LIST THE EXCHANGED ITEMS MODEL NUMBER ON THE WARRANTY CLAIM FORM!

4. Failure to return the defective pack or controller will result in your account being billed for the exchanged item.

Should you have any questions or require further assistance, please contact the Zone Office of Technical Service covering your location.

Thank you for your continued contribution to quality Pioneer Service.

- National Service Operations Division

SERVICE TIPS

06/18/94 1

Importance	Author	Date	Distribute	F1 - Help
2	ALAN	93 DEC 30	Y	

CLDA100

SYMPTOM: TRAY DOESN'T OPEN. CD, LD INDICATOR OK BUT NO RESET INDICATOR.

CAUSE: IC202 (ICPN50) OPEN. NO 5V (SW).

NOTE: CHECK TRACKING COIL ON PICKUP. OPEN IC202 WILL CAUSE MAX OFFSET IN TRACKING SERVO.

----- 1