



EBK-1

Eyebolt Attachment Kit

- Mounting kit for VI-12 and VI-15 speaker systems
- Provides three attachment points for secure suspension of a single speaker cabinet

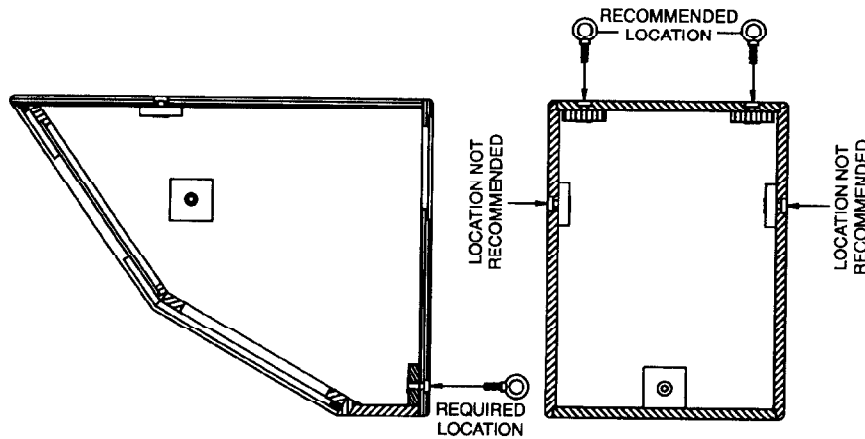


Figure 1—Lifting Eyebolt Installation

Description

The EBK-1 attachment kit contains three lifting eyebolts which screw into the inserts provided on the VI-12 and VI-15 speakers.

The lifting eyebolt attachment points can then be used to suspend the VI speakers using hardware rated for overhead lifting

Hanging Instructions

The speaker is hung using one or two main lifting "chains" with a pull-up point in the back for aiming. Two lifting chains can be used to prevent the speaker from swaying, but both of the rigging hardware (shackles, etc.) must fit through the 25-mm (1-in.) opening.

Suspending any object is potentially dangerous and should be attempted only by individuals who have a thorough knowledge of the techniques and regulations of rigging objects overhead. Altec Lansing sanctions suspending the VI speakers only when all current national, federal, state and local regulations are taken into account. When the VI speaker is suspended, Altec Lansing strongly recommends that the system be inspected at least once a year. If any sign of weakness is detected, corrective action should be taken immediately.

Installation Instructions

(see Figure 1)

- 1 Remove the 3/8-16 shoulder bolts from the speaker
- 2 Screw the lifting eyebolt into the insert until the shoulder has contacted the wood
- 3 Finger tighten eyebolt until correct alignment position is obtained, a maximum of one complete turn (see Figure 2)

CAUTION. OVERTIGHTENING THE EYEBOLT WITH A WRENCH, SCREWDRIVER, etc. CAN RESULT IN SYSTEM FAILURE AND INJURY

- 4 Use certified hardware rated for overhead lifting to suspend the speaker (see Figure 3)

Strength Rating

The EBK-1 Attachment Kit and the VI speaker enclosure are rated for suspending only one speaker (8:1 safety factor). **Hanging any additional weight from the speaker will exceed its strength rating and**

create an unsafe condition. Table 2 lists the strength ratings for the 3/8-inch lifting eyebolts with an 8:1 safety factor. The lifting eyebolts are not rated for angles greater than 45 degrees (see Figure 2). An exception to this would be the lifting eyebolt which is used for speaker aiming and not for a main load-bearing point; the angle on that eyebolt can exceed 45 degrees.

Uniform Limited Warranty Statement

Altec Lansing products are guaranteed against malfunction due to defects in materials or workmanship for a specified period, as noted in the individual product-line statement(s) below, or in the individual product data sheet or owner's manual, beginning with the date of original purchase. If such malfunction occurs during the specified period, the product will be repaired or replaced (at our option) without charge. The product will be returned to the customer prepaid. **Exclusions and Limitations:** The Limited Warranty does not apply to (a) exterior finish or appearance, (b) certain specific items

Table 1—Contents

Reference Letter	Part No.	Quantity	Description
A	20499	3	3/8-16 x 32 mm (1.25 in.) lifting shoulder eyebolt

EBK-1 Lifting Shoulder Eyebolt Attachment Kit

EBK-1 Lifting Shoulder Eyebolt Attachment Kit

described in the individual product-line statement(s) below, or in the individual product data sheet or owner's manual; (c) malfunction resulting from use or operation of the product other than as specified in the product data sheet or owner's manual; (d) malfunction resulting from misuse or abuse of the product, or (e) malfunction occurring at any time after repairs have been made to the product by anyone other than EVI Audio Service or any of its authorized service representatives. **Obtaining Warranty Service:** To obtain warranty service, a customer must deliver the product, prepaid, to EVI Audio Service or any of its authorized service representatives together with proof of purchase of the product in the form of a bill of sale or receipted invoice. A list of authorized service representatives is available from EVI Audio Service at 10500 W. Reno Avenue, Oklahoma, OK 73127 (800/845-8727 or FAX 405/577-3274). **Incidental and Consequential Damages Excluded:** Product repair or replacement and return to the customer are the only remedies provided to the customer. Altec Lansing shall not be liable for any incidental or consequential damages including, without limitation, injury to persons or property or loss of use. Some states do not allow the exclusion or limitation of incidental or consequential damages so the above limitation or exclusion may not apply to you. **Other Rights:** This warranty gives you specific legal rights, and you may also have other rights which vary from state to state.

Altec Lansing Accessories are guaranteed against malfunction due to defects in materials or workmanship for a period of one (1) year from the date of original purchase. Additional details are included in the Uniform

Limited Warranty statement

For technical assistance, contact Technical Support at 800/234-6831 or 616/695-6831, M-F, 8:00 a.m. to 5:00 p.m. Eastern Standard time.

Specifications subject to change without notice.

Specifications

Lifting Shoulder Eyebolts:

3/8-16 x 32 mm (1.25 in.)—eye diameter 25 mm (1 in.)

Material:

Drop forged steel, black nickel plated

Net Weight:

0.25 kg (0.55 lb)

Shipping Weight:

0.3 kg (0.66 lb)

Table 2—Working Load vs. Angle (8:1 safety factor)

Angle	0°	45°	90°
Load (kg [lb])	68 [150]	48 [105]	Not Rated

Figure 2—Rigging Point and Load Angles

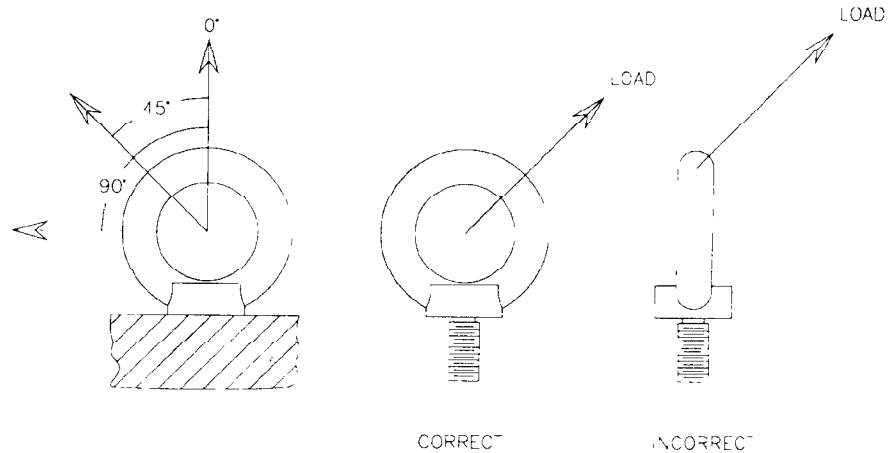
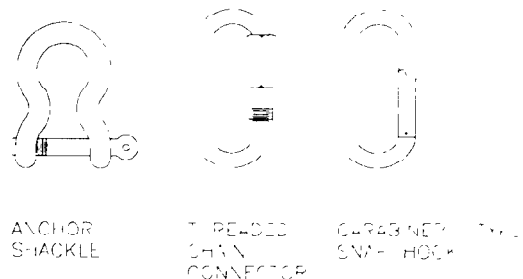


Figure 3—Examples of Useful Rigging Hardware



600 Cecil Street, Buchanan, MI 49107

616/695-6831, 616/695-1304 Fax