

NC; ** - B07C1A1
 ANEM ADR 06 - B07C1A2
 ANEM ADR 07 - B07C1A3
 ANEM ADR 08 - B07C1A4
 ANEM ADR 09 - B07C1A5
 MI SPC (04) - B07C1A6
 MI SPC (02) - B07C1A7
 MI SPC (01) - B07C1A8
 MM D:04) - B07C1A9
 DBUS F0 - B07C1A10
 MI MAPF (02) - B07C1A11
 MI MAPF (01) - B07C1A12
 M/Q D00 - B07C1A13
 M/Q G00 - B07C1A14
 AC B SEL (10) - B07C1A15
 AC B SEL (4) - B07C1A16
 AC B SEL (2) - B07C1A17
 AC B SEL (1) - B07C1A18
 MI ALU FUN (4) - B07C1A19
 MI ALU FUN (2) - B07C1A20
 MI ALU FUN (1) - B07C1A21
 MI ALU DST (4) - B07C1A22
 CMD ALU DST (2) - B07C1A23
 MI ALU DST (1) - B07C1A24
 MI ALU SRC (4) - B07C1A25
 MI ALU SRC (2) - B07C1A26
 MI ALU SRC (1) - B07C1A27
 ANEM P0 - B07C1A28
 MD ALU CRY0; THIST - B07C1A29
 MD ALU CRY8; THIST - B07C1A30
 UNSGATED CLK L ; THIST - B07C1A31
 ALU QSHIFT 00 - B07C1A32
 ALU QSHIFT 12 - B07C1A33
 ALU RAMSHIFT 00 - B07C1A34
 ALU RAMSHIFT 12 - B07C1A35
 NC; ** - B07C1A36

NC; ** - B07C1B1
 ANEM ADR 02 - B07C1B2
 ANEM ADR 03 - B07C1B3
 ANEM ADR 04 - B07C1B4
 ANEM ADR 05 - B07C1B5
 MI SPC (40) - B07C1B6
 MI SPC (20) - B07C1B7
 MI SPC (10) - B07C1B8
 MM D:02) - B07C1B9
 DBUS F0 - B07C1B10
 MI MAPF (10) - B07C1B11
 MI MAPF (04) - B07C1B12
 ALU RAMSHIFT 00 - B07C1B13
 ALU RAMSHIFT 12 - B07C1B14
 AC A SEL (10) - B07C1B15
 AC A SEL (4) - B07C1B16
 AC A SEL (2) - B07C1B17
 AC A SEL (1) - B07C1B18
 ENB MI STB C L; THIST - B07C1B19
 CC SRB DAT0 - B07C1B20
 CC LOOP DRIVE B1 - B07C1B21
 IDB DRV IN; THIST - B07C1B22
 ** - B07C1B23
 DBUS 00; THIST - B07C1B24
 DBUS 01; THIST - B07C1B25
 DBUS 02; THIST - B07C1B26
 DBUS 03; THIST - B07C1B27
 DBUS 04; THIST - B07C1B28
 DBUS 05; THIST - B07C1B29
 DBUS 06; THIST - B07C1B30
 DBUS 07; THIST - B07C1B31
 DBUS 08; THIST - B07C1B32
 DBUS 09; THIST - B07C1B33
 DBUS 10; THIST - B07C1B34
 DBUS 11; THIST - B07C1B35
 NC; ** - B07C1B36

NC; ** - B07C1C1
 ANEM ADR 00 - B07C1C2
 ANEM ADR 01 - B07C1C3
 NC; ** - B07C1C4
 NC; ** - B07C1C5
 NC; ** - B07C1C6
 NC; ** - B07C1C7
 NC; ** - B07C1C8
 MM D:01) - B07C1C9
 NC; ** - B07C1C10
 NC; ** - B07C1C11
 NC; ** - B07C1C12
 ALU AC35/000 SHIFT - B07C1C13
 ALU QSHIFT 12 - B07C1C14
 MD ALU CIN 71 - B07C1C15
 NC; ** - B07C1C16
 NC; ** - B07C1C17
 NC; ** - B07C1C18
 NC; ** - B07C1C19
 MI LD AR L; THIST - B07C1C20
 ENB DBUS FROM EDBUS L; THIST - B07C1C21
 NC; ** - B07C1C22
 NC; ** - B07C1C23
 NC; ** - B07C1C24
 MI JADR 00 - B07C1C25
 MI JADR 01 - B07C1C26
 ANEM HE; THIST - B07C1C27
 NC; ** - B07C1C28
 NC; ** - B07C1C29
 ANEM CE; THIST - B07C1C30
 NC; ** - B07C1C31
 NC; ** - B07C1C32
 NC; ** - B07C1C33
 NC; ** - B07C1C34
 NC; ** - B07C1C35
 NC; ** - B07C1C36

M/Q HI CNT2; THIST - B07C2A1
 M/Q HI CNT1; THIST - B07C2A2
 M/Q LD CNT2; THIST - B07C2A3
 M/Q LG CNT1; THIST - B07C2A4
 DRBUS 00 - B07C2A5
 DRBUS 01 - B07C2A6
 DRBUS 02 - B07C2A7
 DRBUS 03 - B07C2A8
 DRBUS 04 - B07C2A9
 DRBUS 05 - B07C2A10
 DRBUS 06 - B07C2A11
 DRBUS 07 - B07C2A12
 DRBUS 08 - B07C2A13
 DRBUS 09 - B07C2A14
 DRBUS 10 - B07C2A15
 DRBUS 11 - B07C2A16
 ID0 0 - B07C2A17
 ID0 1 - B07C2A18
 ID0 2 - B07C2A19
 ID0 3 - B07C2A20
 ID0 4 - B07C2A21
 ID0 5 - B07C2A22
 ID0 6 - B07C2A23
 ID0 7 - B07C2A24
 ID0 8 - B07C2A25
 ID0 9 - B07C2A26
 ID0 10 - B07C2A27
 ID0 11 - B07C2A28
 EA 05 - B07C2A29
 EA 06 - B07C2A30
 EA 07 - B07C2A31
 EA 08 - B07C2A32
 EA 09 - B07C2A33
 EA 10 - B07C2A34
 EA 11 - B07C2A35
 ECC DAT 00 L - B07C2A36

EDBUS 00; THIST - B07C2
 EDBUS 01; THIST - B07C2
 EDBUS 02; THIST - B07C2
 EDBUS 03; THIST - B07C2
 EDBUS 04; THIST - B07C2
 EDBUS 05; THIST - B07C2
 EDBUS 06; THIST - B07C2
 EDBUS 07; THIST - B07C2
 EDBUS 08; THIST - B07C2
 EDBUS 09; THIST - B07C2
 EDBUS 10; THIST - B07C2
 EDBUS 11; THIST - B07C2
 M/Q CLR; THIST - B07C2
 M/Q CLK; THIST - B07C2
 M/Q CLK; THIST - B07C2
 P/D CLR; THIST - B07C2
 M/D CLR; THIST - B07C2
 ENB DRBUS FROM P/D HI; THIST - B07C2
 ENB DRBUS FROM P/D LO; THIST - B07C2
 MD ALU S3 L; THIST - B07C2
 MD ALU S2 L; THIST - B07C2
 MD ALU S1 L; THIST - B07C2
 MD ALU S0 L; THIST - B07C2
 MD ALU M L; THIST - B07C2
 SEL P/D R27-L1 L; THIST - B07C2
 ID0 P0 - B07C2
 EA 00 - B07C2
 EA 01 - B07C2
 EA 02 - B07C2
 EA 03 - B07C2
 EA 04 - B07C2
 ENB ID0 FROM CDR MEM L; THIST - B07C2
 ENB ID0 FROM DBUS L; THIST - B07C2
 MC DMA RD CY L; THIST - B07C2
 MC LD MS L; THIST - B07C2
 LD ID0 L; THIST - B07C2

ECC DAT 01 L - B07C3A1
 ECC DAT 02 L - B07C3A2
 ECC DAT 03 L - B07C3A3
 ECC DAT 04 L - B07C3A4
 ECC DAT 05 L - B07C3A5
 ECC DAT 06 L - B07C3A6
 ECC DAT 07 L - B07C3A7
 ECC DAT 08 L - B07C3A8
 ECC DAT 09 L - B07C3A9
 ECC DAT 10 L - B07C3A10
 ECC DAT 11 L - B07C3A11
 AA C 24 L; THIST - B07C3A12
 AA C 12 L; THIST - B07C3A13
 BO ALUO P L; THIST - B07C3A14
 BO ALUO G L; THIST - B07C3A15
 BO ALU1 P L; THIST - B07C3A16
 BO ALU1 G L; THIST - B07C3A17
 ALUO CIN 11 - B07C3A18
 ALU1 CIN 11 - B07C3A19
 ALU OUT 0 - B07C3A20
 ALU DV - B07C3A21
 EA 02-05=0 - B07C3A22
 BO ALU OUT=0 - B07C3A23
 ** - B07C3A24
 MEM R DAT B 00 - B07C3A25
 MEM R DAT B 01 - B07C3A26
 MEM R DAT B 02 - B07C3A27
 MEM R DAT B 03 - B07C3A28
 MEM R DAT B 04 - B07C3A29
 MEM R DAT B 05 - B07C3A30
 MEM R DAT B 06 - B07C3A31
 MEM R DAT B 07 - B07C3A32
 MEM R DAT B 08 - B07C3A33
 MEM R DAT B 09 - B07C3A34
 MEM R DAT B 10 - B07C3A35
 MEM R DAT B 11 - B07C3A36

MEM W DAT 00; THIST - B07C3B1
 MEM W DAT 01; THIST - B07C3B2
 MEM W DAT 02; THIST - B07C3B3
 MEM W DAT 03; THIST - B07C3B4
 MEM W DAT 04; THIST - B07C3B5
 MEM W DAT 05; THIST - B07C3B6
 MEM W DAT 06; THIST - B07C3B7
 MEM W DAT 07; THIST - B07C3B8
 MEM W DAT 08; THIST - B07C3B9
 MEM W DAT 09; THIST - B07C3B10
 MEM W DAT 10; THIST - B07C3B11
 MEM W DAT 11; THIST - B07C3B12
 MC M/D LD CNT2; THIST - B07C3B13
 MC M/D LD CNT1; THIST - B07C3B14
 SEL PC FROM EA F0; THIST - B07C3B15
 ** - B07C3B16
 ** - B07C3B17
 ** - B07C3B18
 ECC EVEN 0 L - B07C3B19
 ECC EVEN 1 L - B07C3B20
 ECC EVEN 2 L - B07C3B21
 ECC EVEN 3 + DIS L - B07C3B22
 ECC EVEN 4 + DIS L - B07C3B23
 ECC EVEN 5 + DIS L - B07C3B24
 MEM R DAT A 00 - B07C3B25
 MEM R DAT A 01 - B07C3B26
 MEM R DAT A 02 - B07C3B27
 MEM R DAT A 03 - B07C3B28
 MEM R DAT A 04 - B07C3B29
 MEM R DAT A 05 - B07C3B30
 MEM R DAT A 06 - B07C3B31
 MEM R DAT A 07 - B07C3B32
 MEM R DAT A 08 - B07C3B33
 MEM R DAT A 09 - B07C3B34
 MEM R DAT A 10 - B07C3B35
 MEM R DAT A 11 - B07C3B36

NC; ** - B07C3C1
 NC; ** - B07C3C2
 NC; ** - B07C3C3
 SEL ADDR ADDER FROM MA F0; THIST - B07C3C4
 EARUM 00-05 SEL 2; THIST - B07C3C5
 EARUM 00-05 SEL 1; THIST - B07C3C6
 NC; ** - B07C3C7
 NC; ** - B07C3C8
 NC; ** - B07C3C9
 EARUM 06-11 SEL 2; THIST - B07C3C10
 EARUM 06-11 SEL 1; THIST - B07C3C11
 ENB DBUS FROM DMUX; THIST - B07C3C12
 NC; ** - B07C3C13
 NC; ** - B07C3C14
 NC; ** - B07C3C15
 MI LD MA L; THIST - B07C3C16
 LD IR L; THIST - B07C3C17
 CB CLK L ; THIST - B07C3C18
 NC; ** - B07C3C19
 NC; ** - B07C3C20
 NC; ** - B07C3C21
 LD PC L; THIST - B07C3C22
 LD HOLD L; THIST - B07C3C23
 -MC RD CY L; THIST - B07C3C24
 NC; ** - B07C3C25
 NC; ** - B07C3C26
 NC; ** - B07C3C27
 ** - B07C3C28
 MEM W DAT P0 - B07C3C29
 IR 12 B - B07C3C30
 NC; ** - B07C3C31
 NC; ** - B07C3C32
 NC; ** - B07C3C33
 IR AC=0 - B07C3C34
 PC=MA 0 - B07C3C35
 PC=MA 1 - B07C3C36

NC; ** - B07C2C1
 NC; ** - B07C2C2
 NC; ** - B07C2C3
 DEST:EDBUS; L; THIST - B07C2C4
 ENB DRBUS FROM M/Q HI L; THIST - B07C2C5
 ENB DRBUS FROM M/Q LO L; THIST - B07C2C6
 ** - B07C2C7
 NC; ** - B07C2C8
 NC; ** - B07C2C9
 HOLD L ENB ANEM LATCH L - B07C2C10
 L ID0 P0 - B07C2C11
 ENB DBUS FROM ALUO L; THIST - B07C2C12
 NC; ** - B07C2C13
 NC; ** - B07C2C14
 NC; ** - B07C2C15
 ENB DBUS FROM ALU1 L; THIST - B07C2C16
 CC DATA LOOP DE L - B07C2C17
 C2 CLK L ; THIST - B07C2C18
 NC; ** - B07C2C19
 NC; ** - B07C2C20
 NC; ** - B07C2C21
 SEL MEM W FROM ID0; THIST - B07C2C22
 ENB MEM FROM HOLD L; THIST - B07C2C23
 BO MD ALU A=B L - B07C2C24
 NC; ** - B07C2C25
 NC; ** - B07C2C26
 NC; ** - B07C2C27
 M/D HI CNT2 L; THIST - B07C2C28
 M/D HI CNT1 L; THIST - B07C2C29
 ENB MEM FROM HE L; THIST - B07C2C30
 NC; ** - B07C2C31
 NC; ** - B07C2C32
 NC; ** - B07C2C33
 CC DATA LOOP CTRL 1 - B07C2C34
 CC SRB CLK L; THIST - B07C2C35
 CC DATA LOOP CTRL 2 - B07C2C36

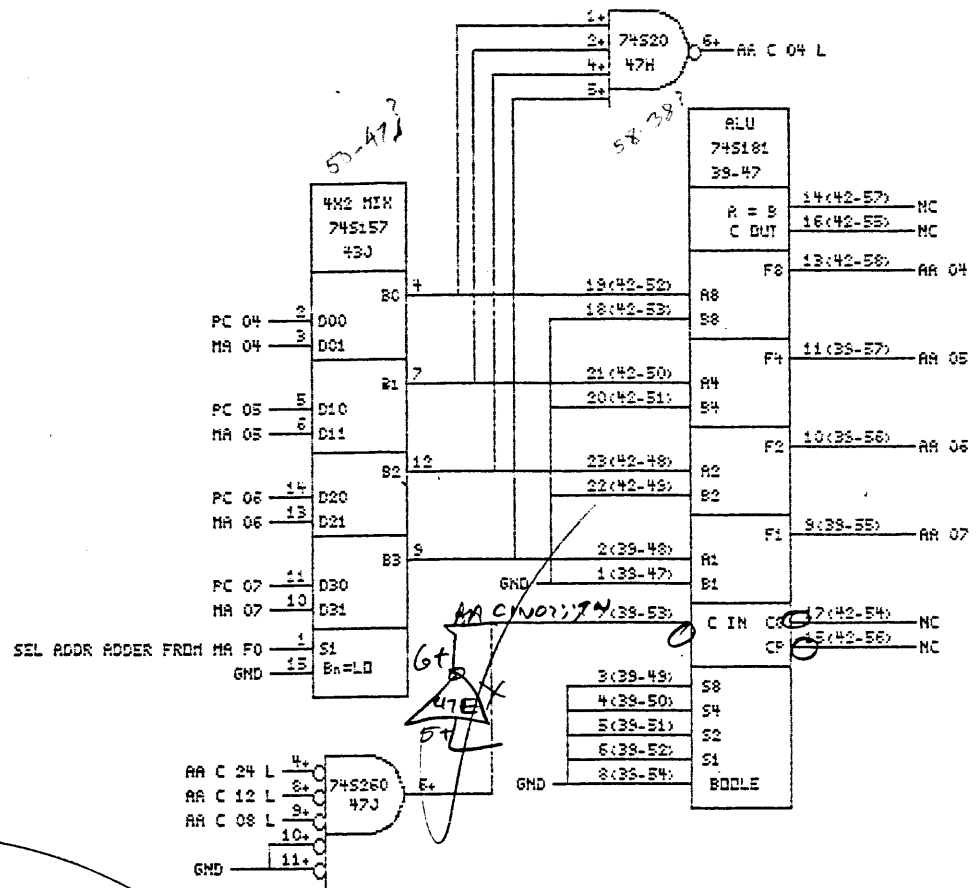
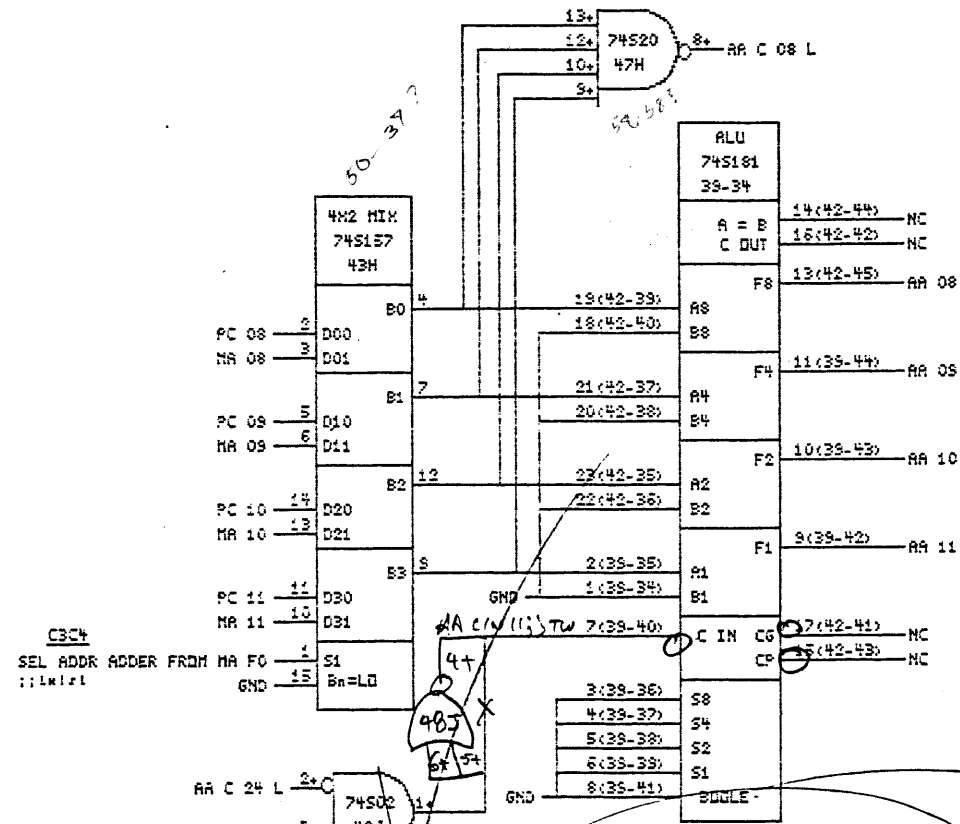
ENB DRBUS FROM P/D HI; THIST - B07C2
 ENB DRBUS FROM P/D LO; THIST - B07C2
 MD ALU S3 L; THIST - B07C2
 MD ALU S2 L; THIST - B07C2
 MD ALU S1 L; THIST - B07C2
 MD ALU S0 L; THIST - B07C2
 MD ALU M L; THIST - B07C2
 SEL P/D R27-L1 L; THIST - B07C2
 ID0 P0 - B07C2
 EA 00 - B07C2
 EA 01 - B07C2
 EA 02 - B07C2
 EA 03 - B07C2
 EA 04 - B07C2
 ENB ID0 FROM CDR MEM L; THIST - B07C2
 ENB ID0 FROM DBUS L; THIST - B07C2
 MC DMA RD CY L; THIST - B07C2
 MC LD MS L; THIST - B07C2
 LD ID0 L; THIST - B07C2

Bφ
 15 pages

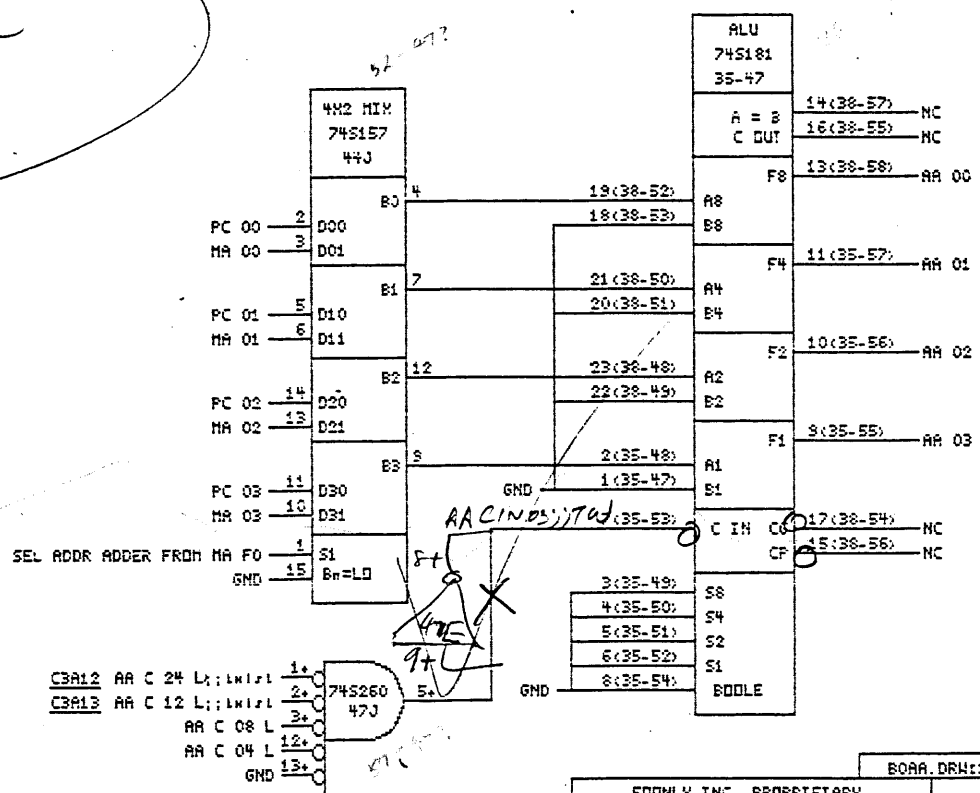
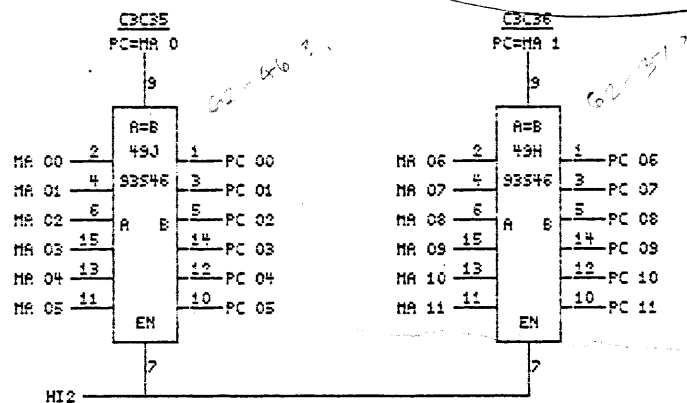
Wrong prints for CCRMA
 CCRMA's Bφ is entirely universal type.
 these prints are a mixed board

ENAME.DRM(1,111)	
SITE1	REV
SITE2	CARDLOC
TITLE1	
TITLE2	PAGE DF

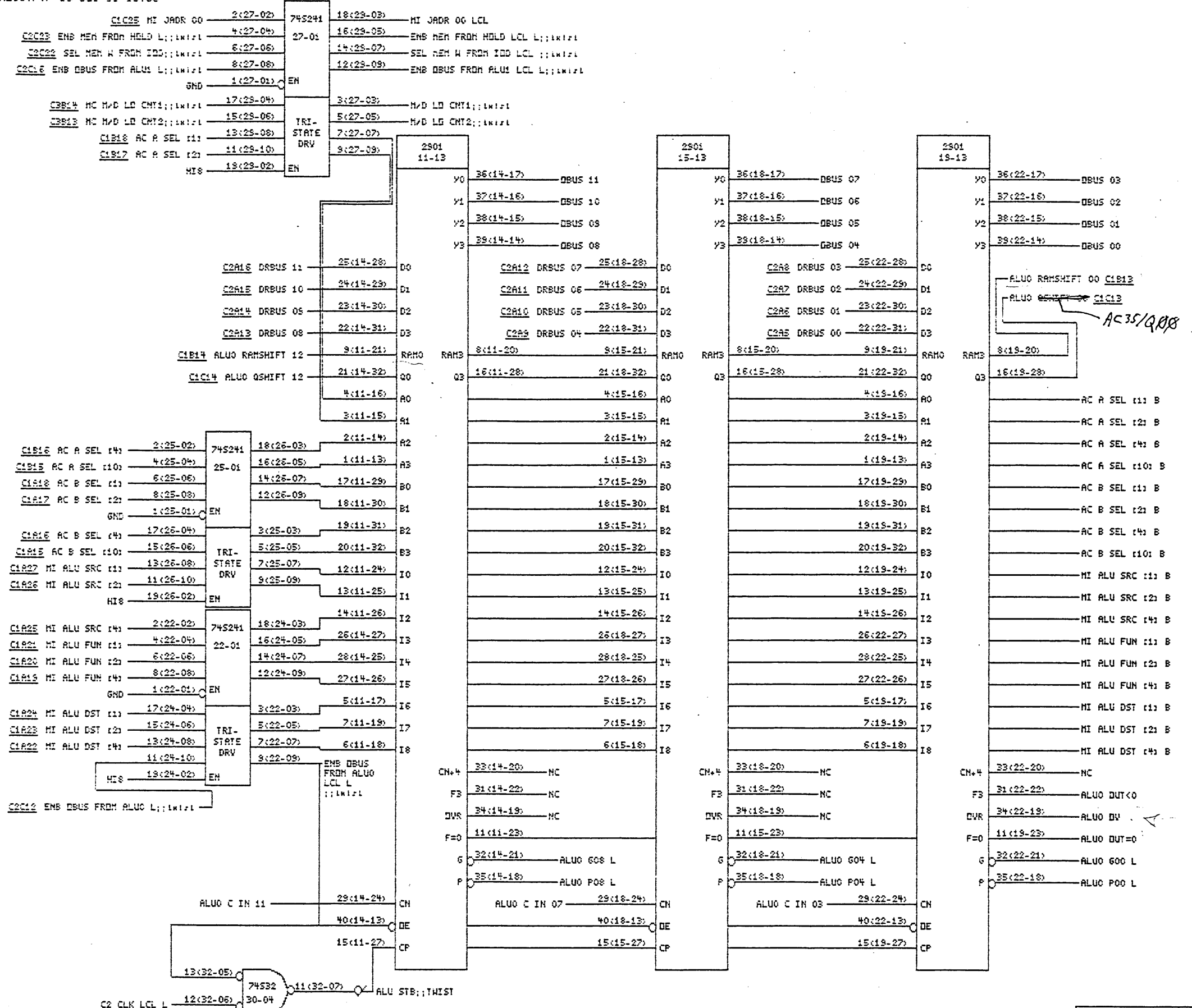
BØ



TWIST the CIN runs

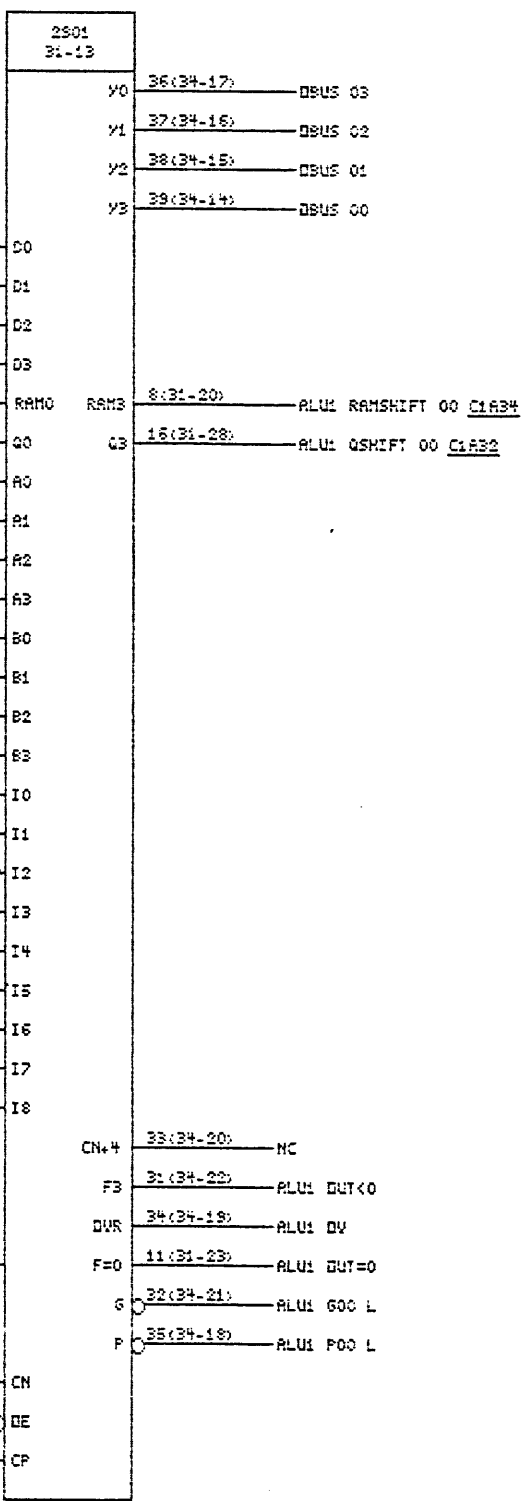
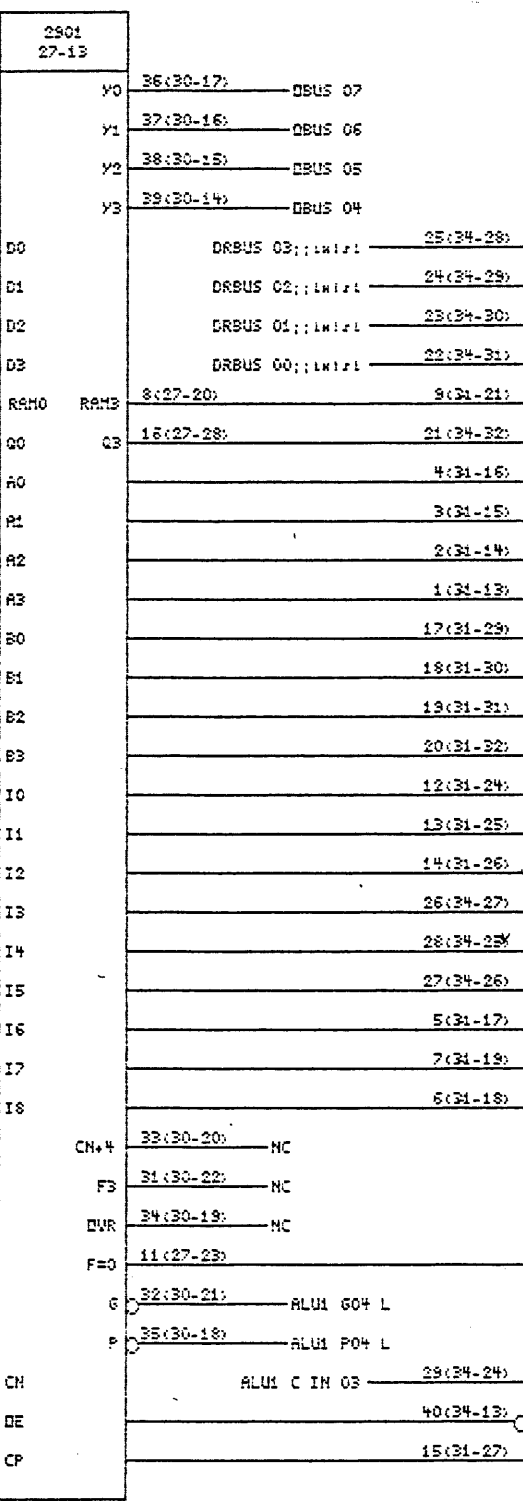
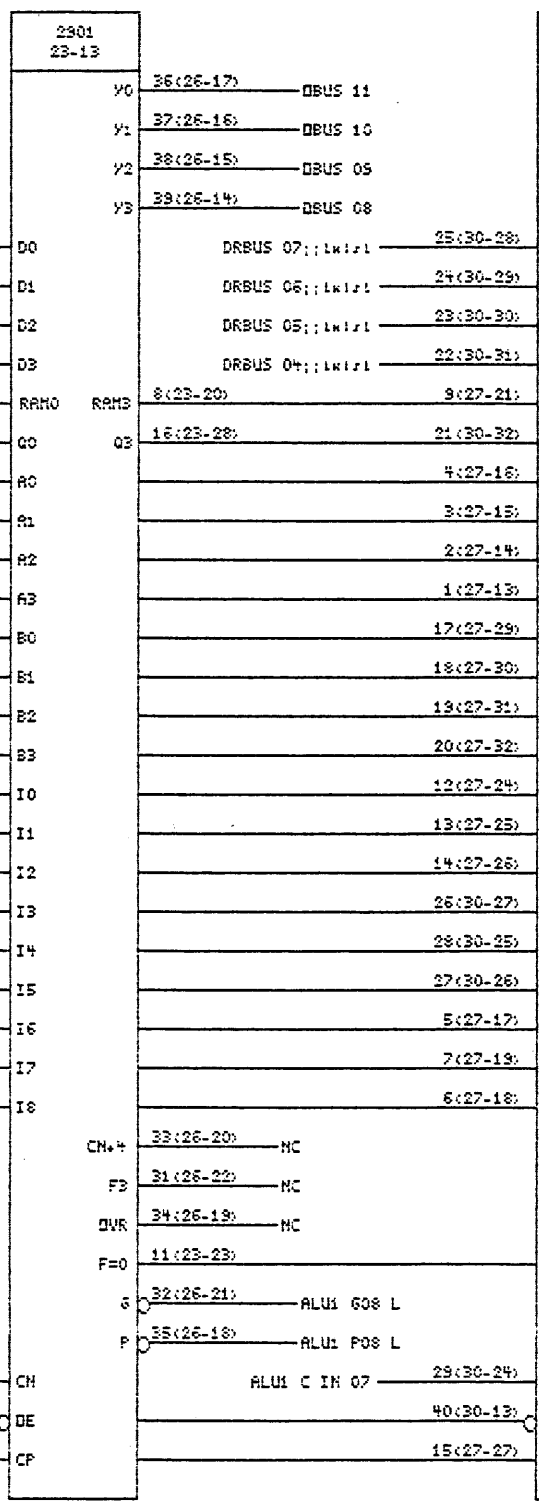
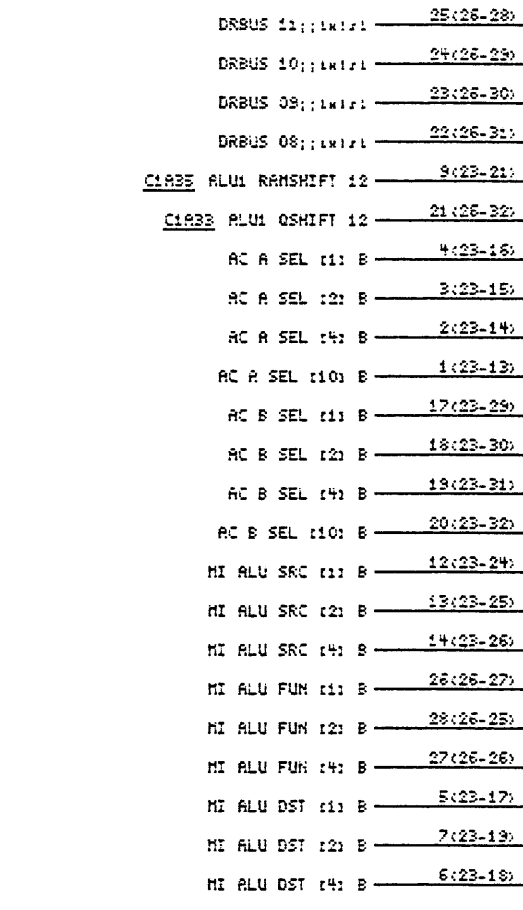
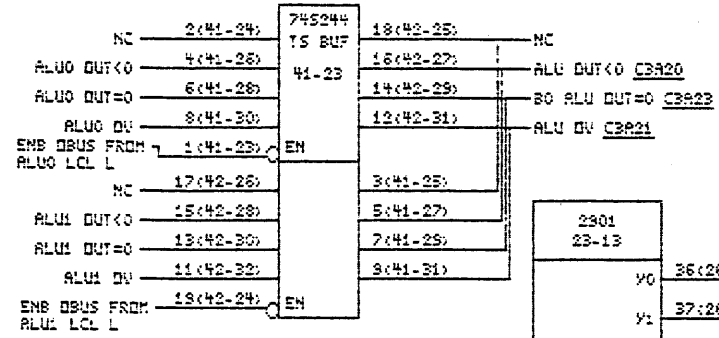


Loc. pins don't fit!

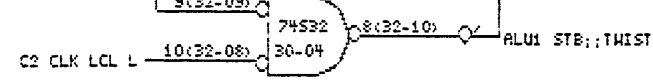


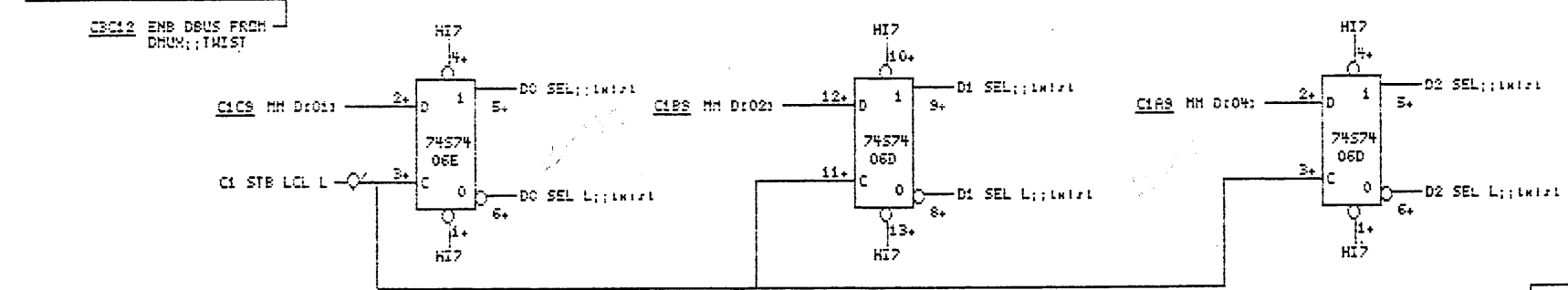
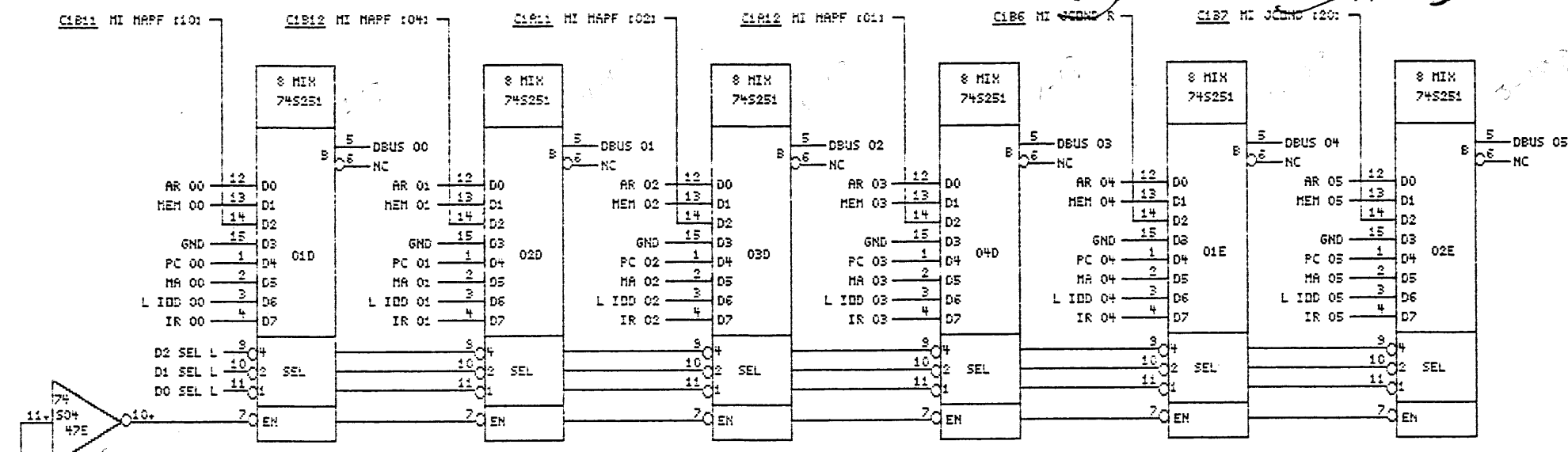
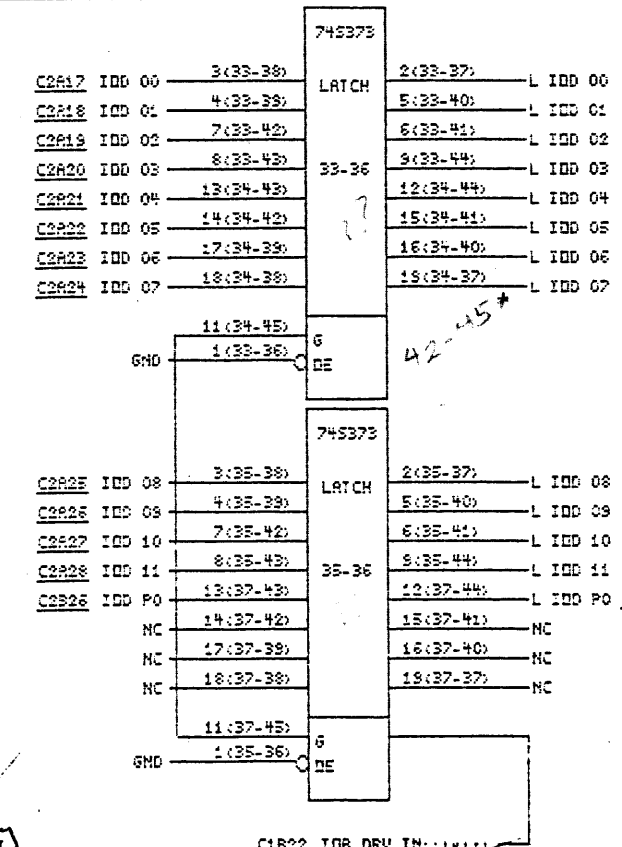
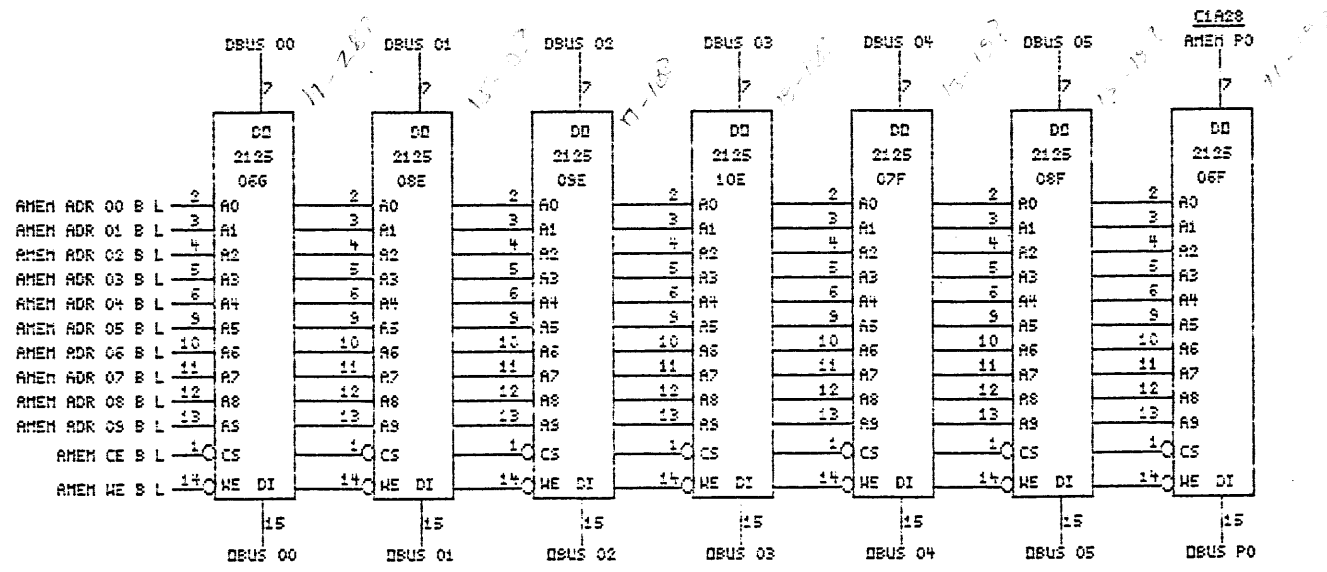
*Look on this page for
not over 30-2 board*

AC 35/Q008 SHIFT



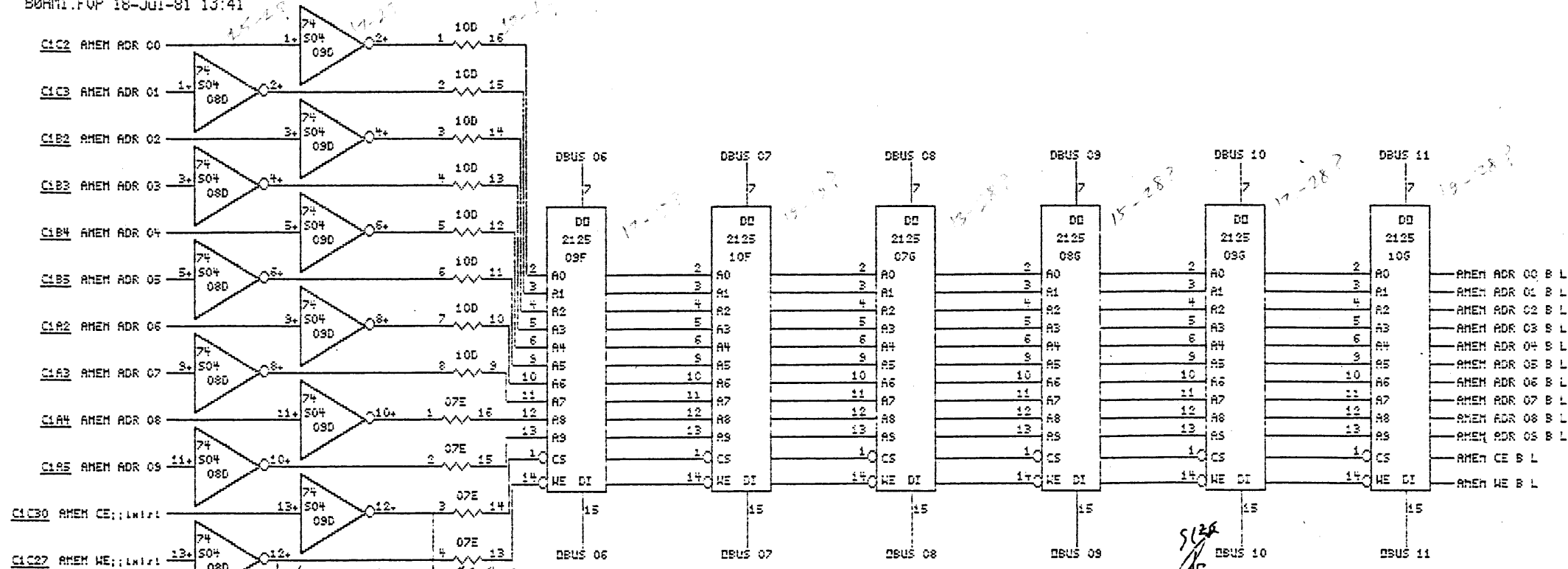
See previous page for



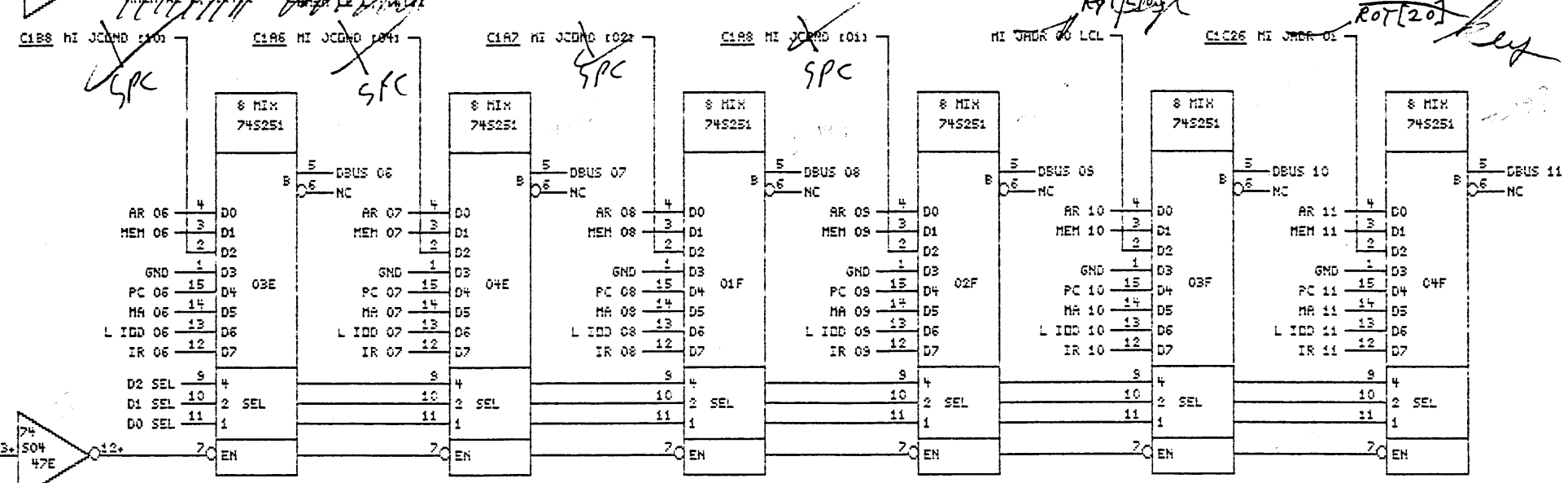


BOARD DRAWING 1242	
FOHLY INC. PROPRIETARY.	REV 0
PROSECUTORS WILL BE VIOLATED	SLOT B7
F4 BITSlice 0	PAGE 0F
AMEH AND DMUX 00-05	

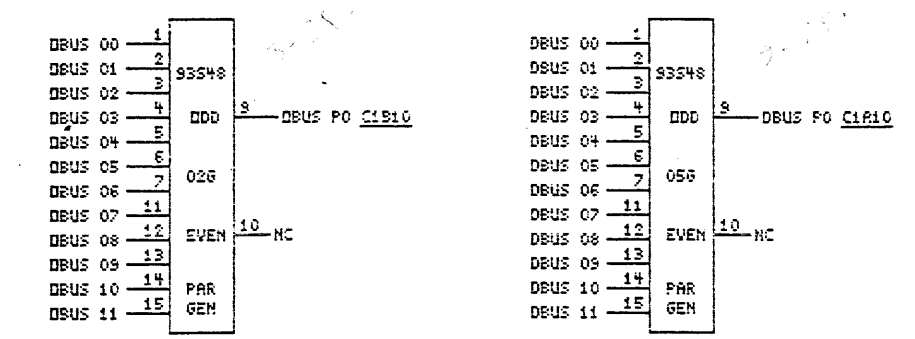
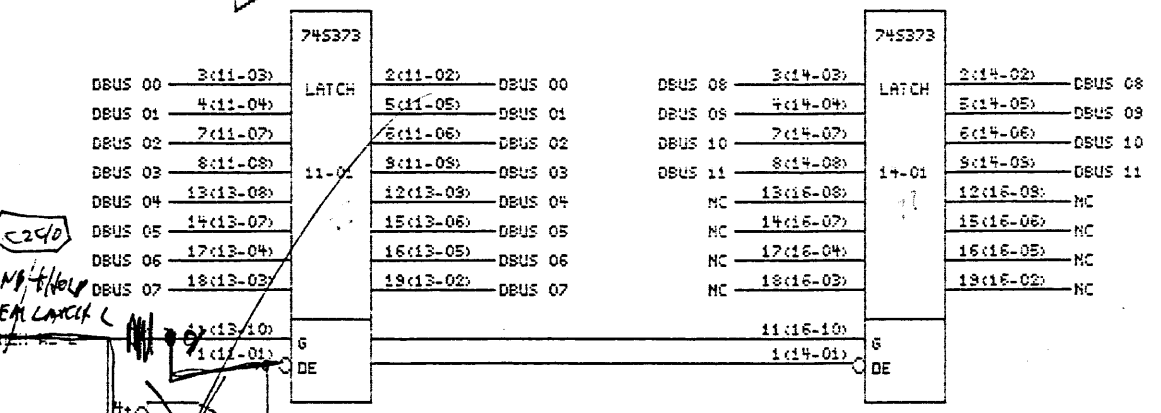
* by DVM of IOD 03

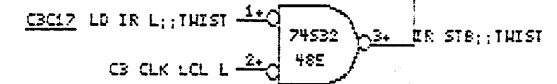
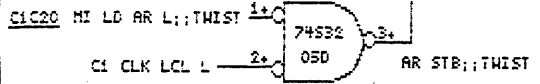
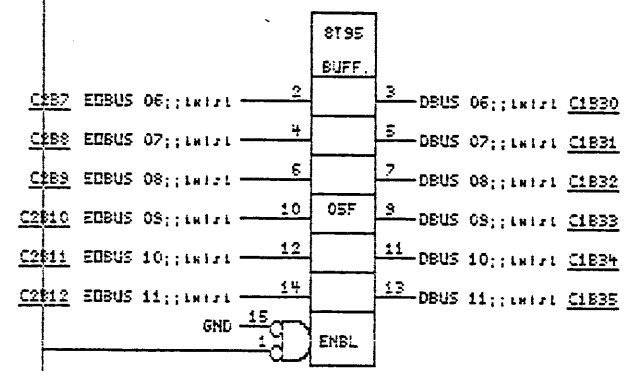
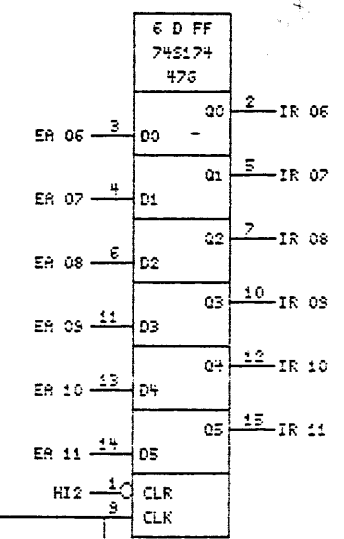
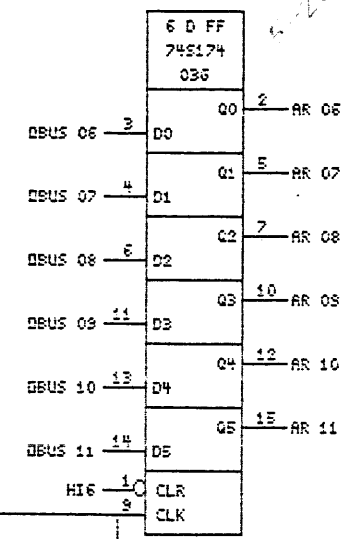
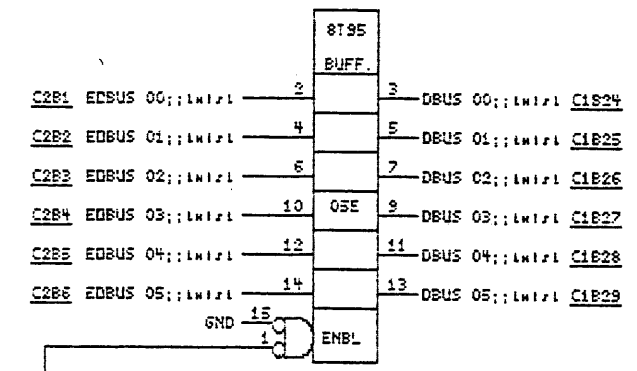
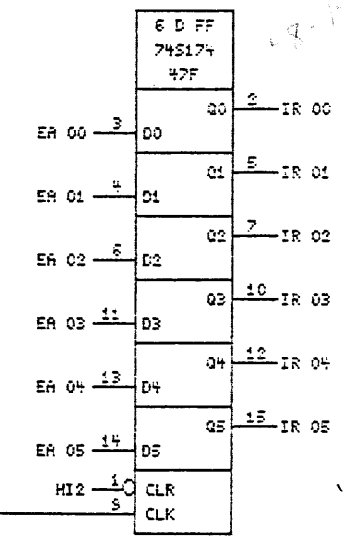
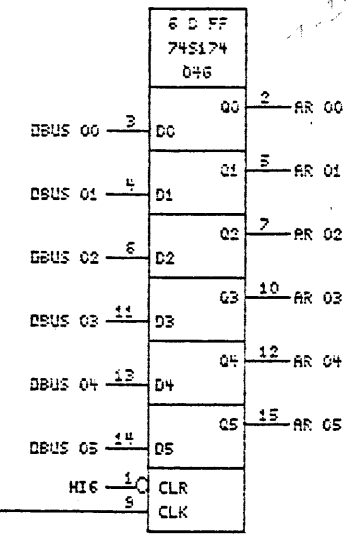
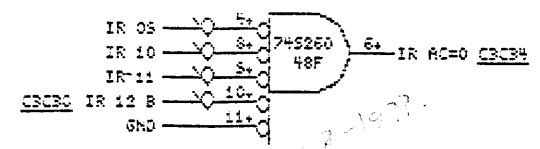
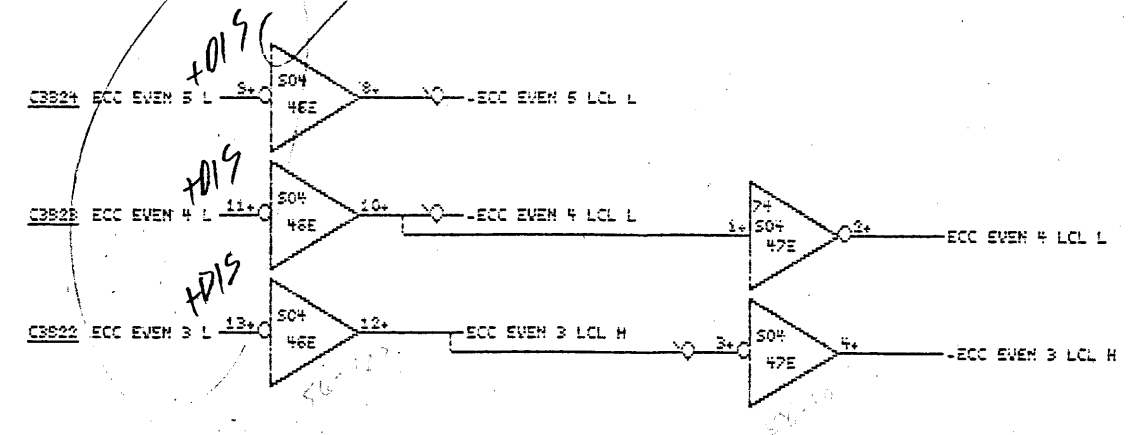
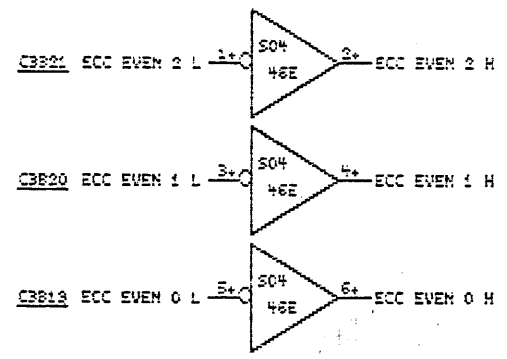


*Location: DBUS bus
(see manual)*



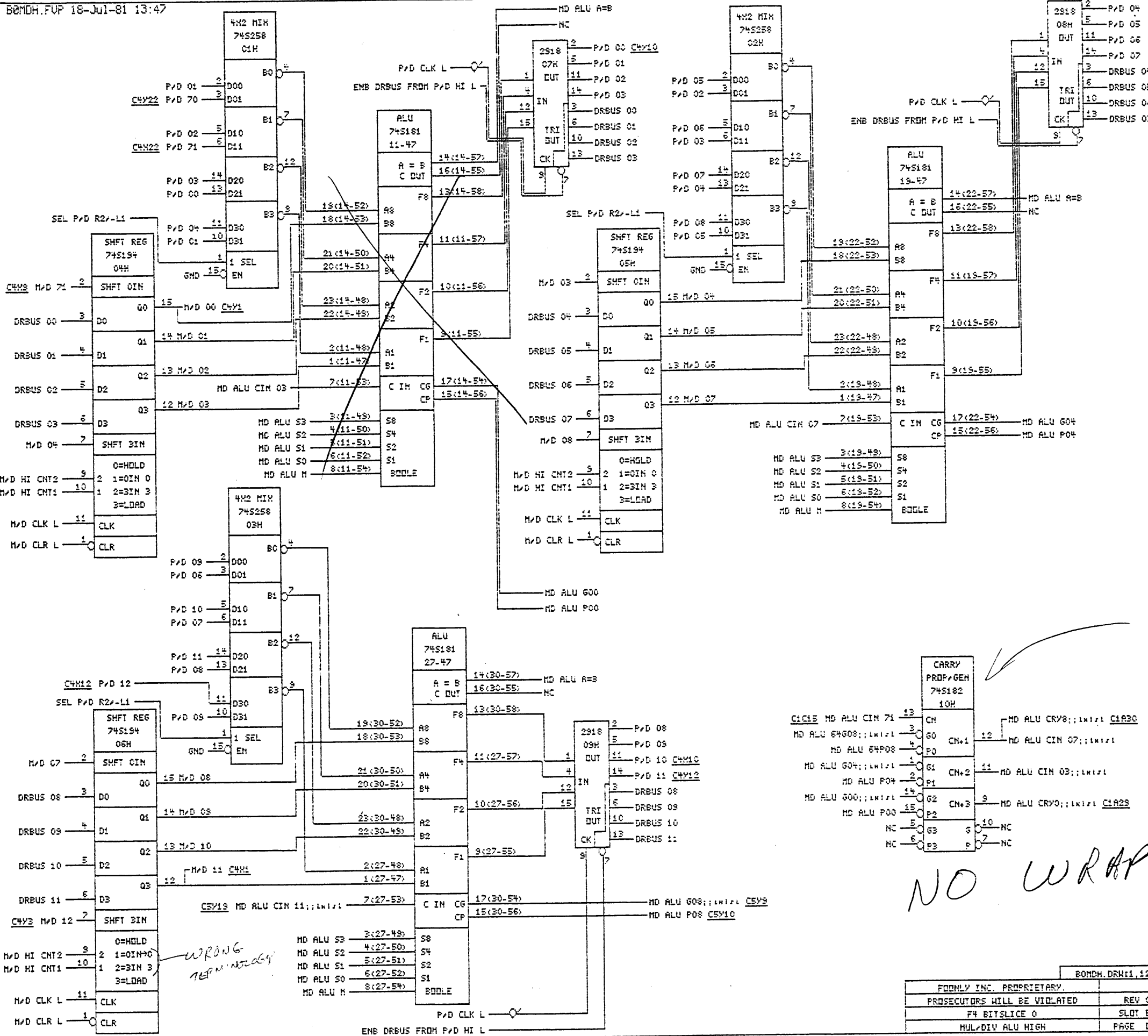
ENB DBUS FROM DMUX





C1C21 ENB DBUS FROM EDBUS L

Custom download

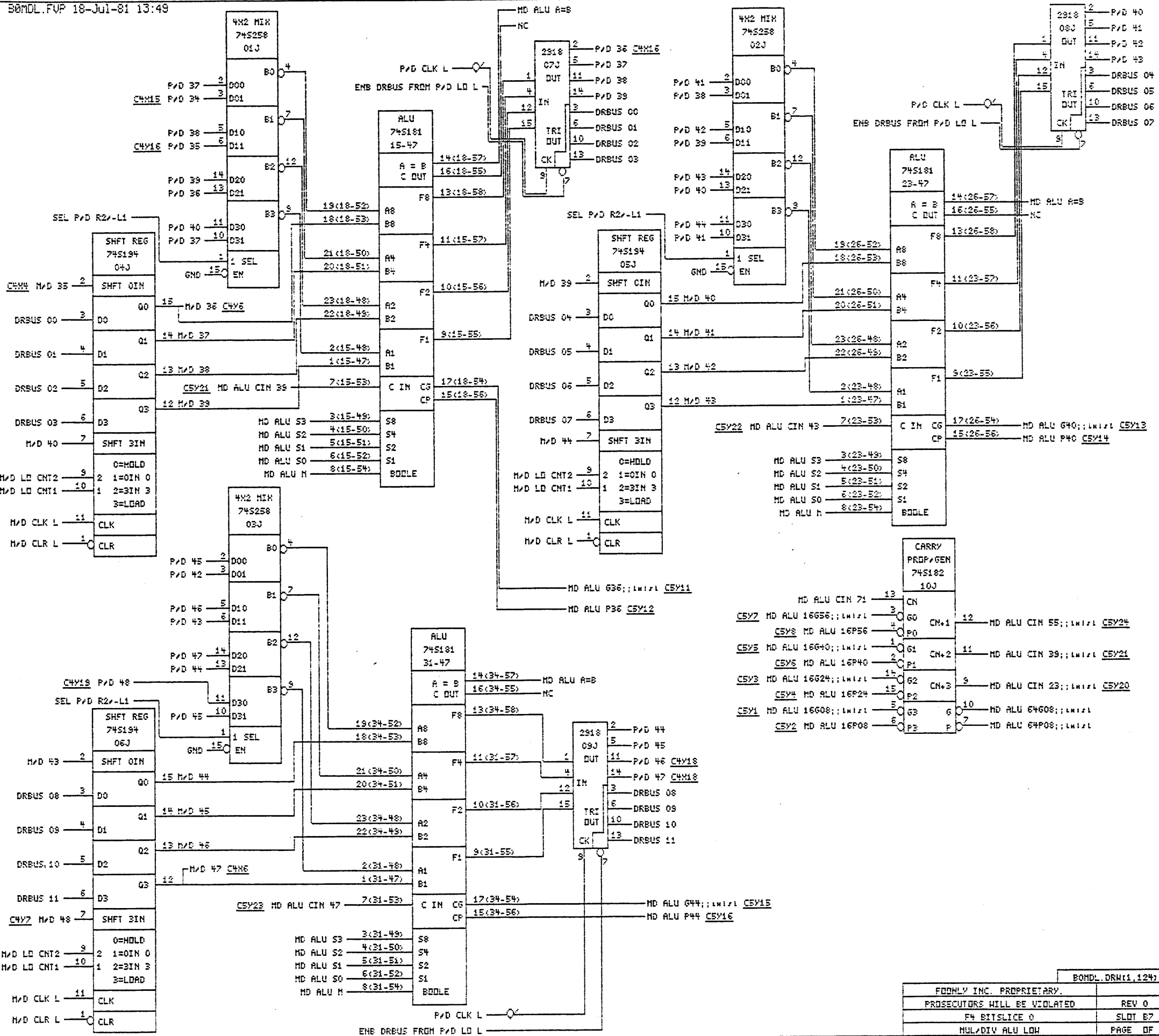


Some things seem to be off on this page

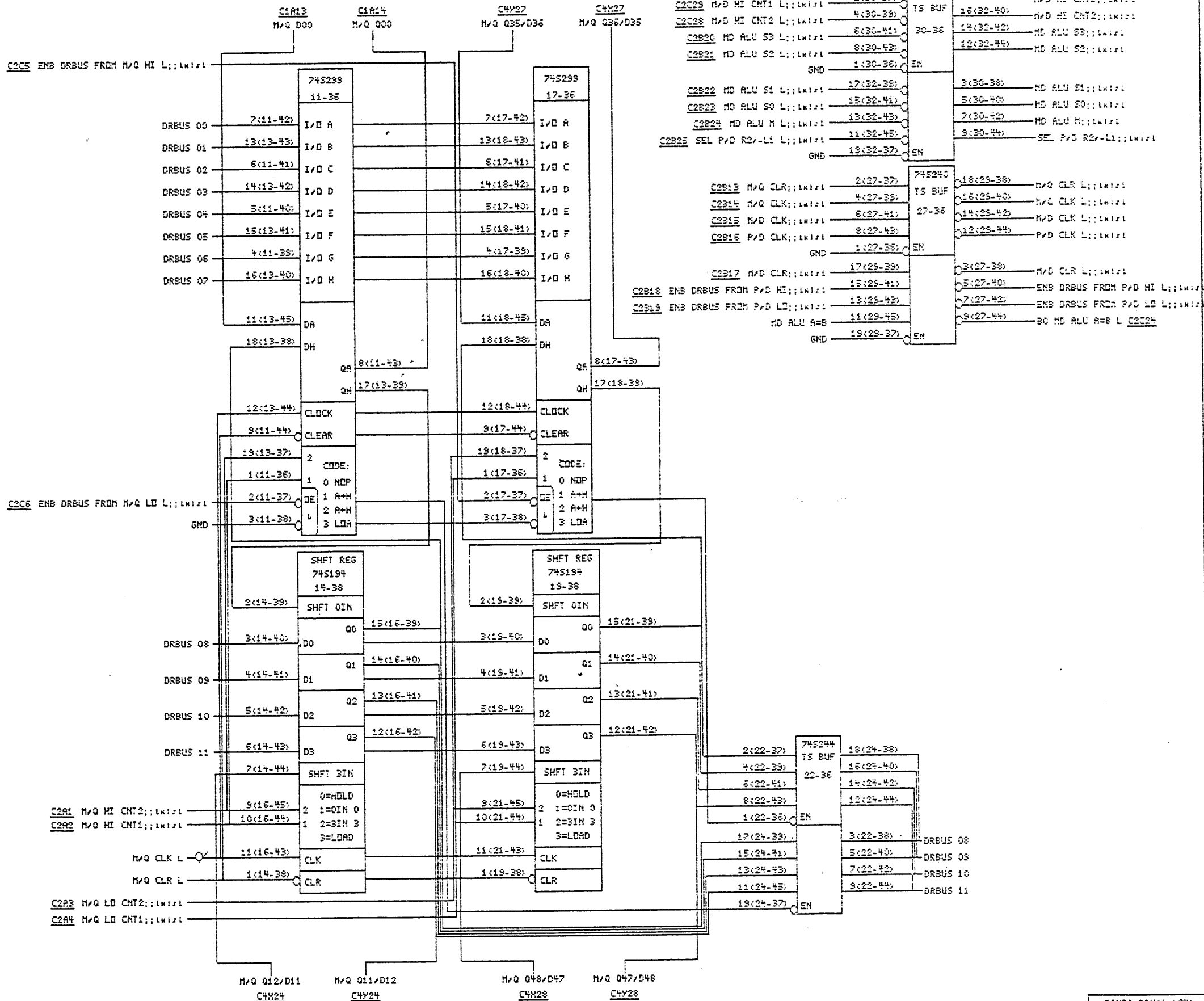
fix 1

NO WRAP AROUND

BOMDH.DRM1.124	
FORMLY INC. PROPRIETARY.	REV 0
PROSECUTORS WILL BE VIOLATED	SLOT B7
F4 BITS/SLICE 0	PAGE DF
MUL/DIV ALU HIGH	



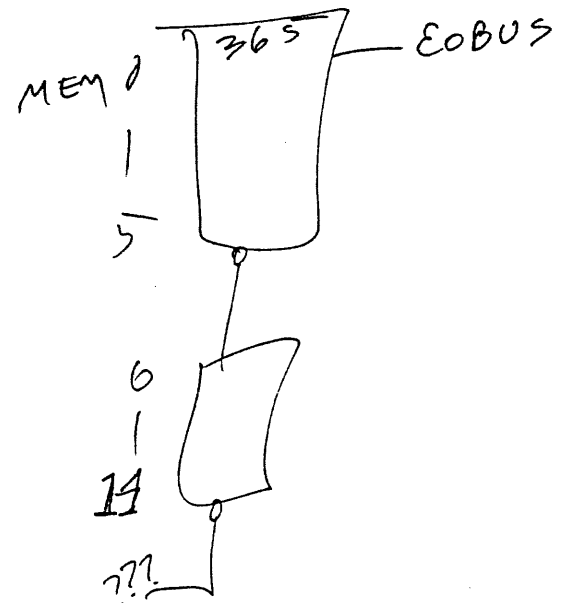
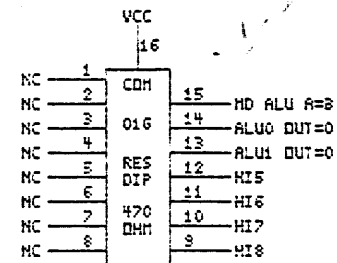
300 pins

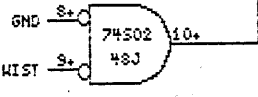
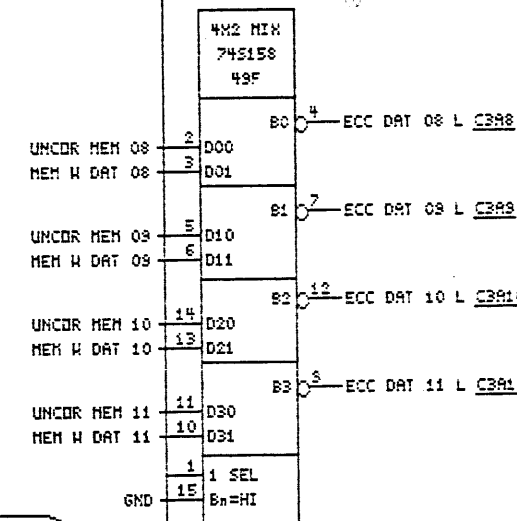
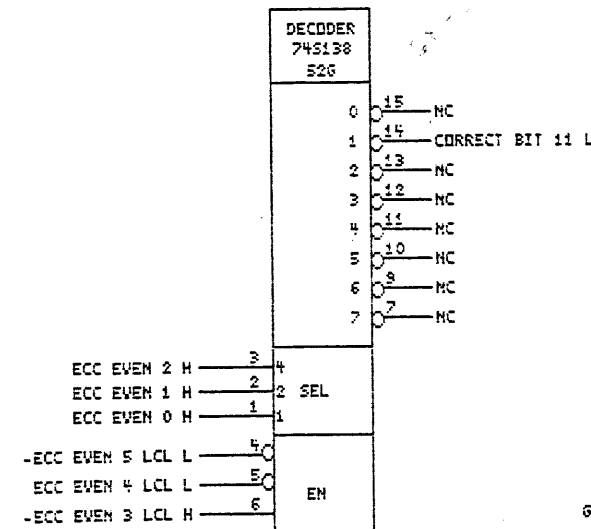
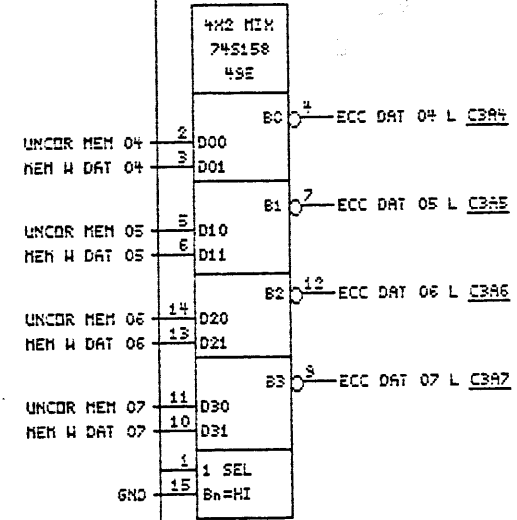
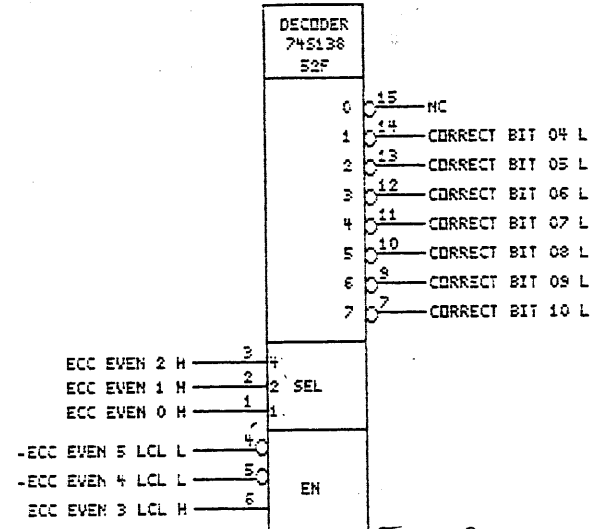
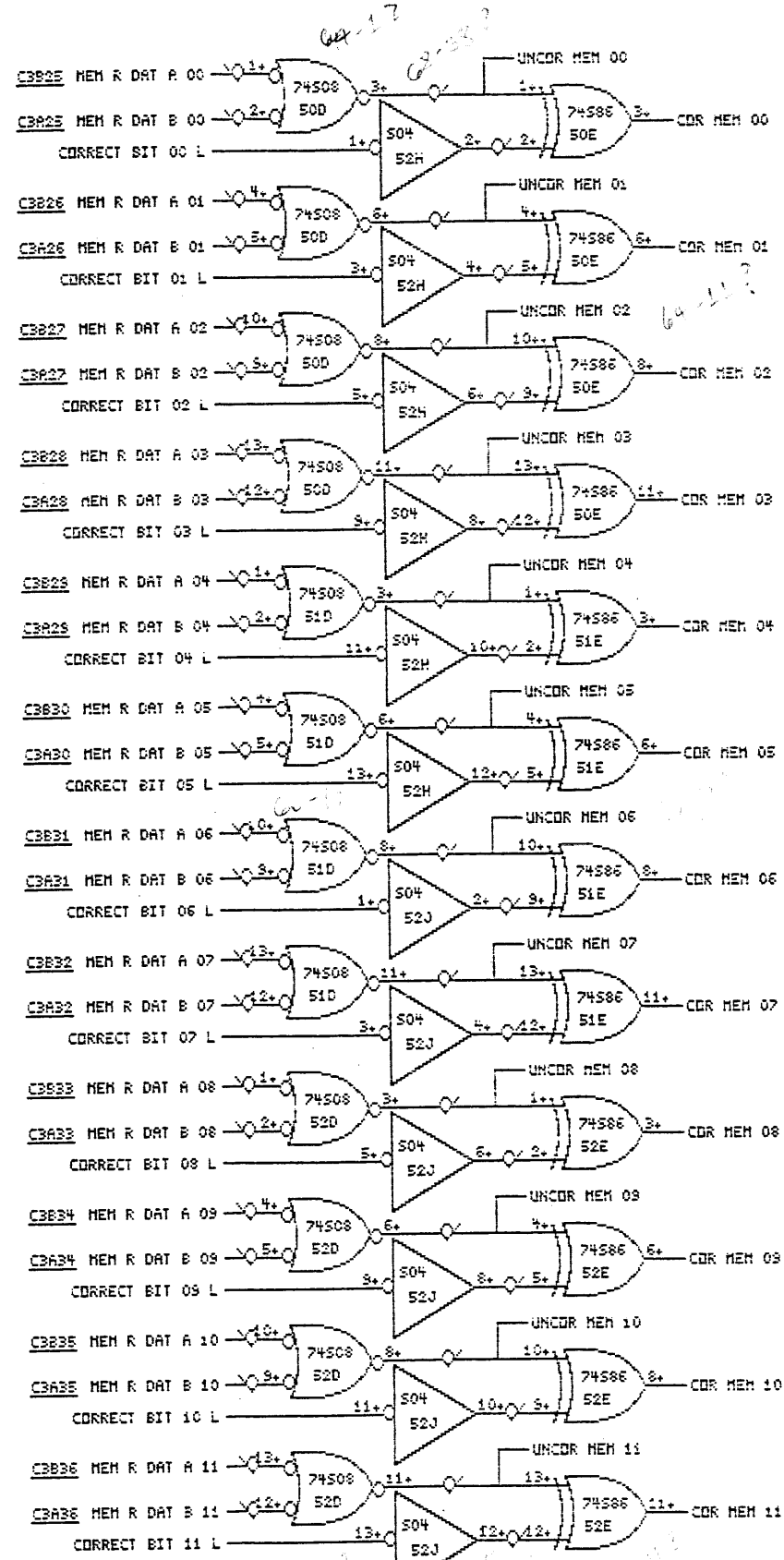
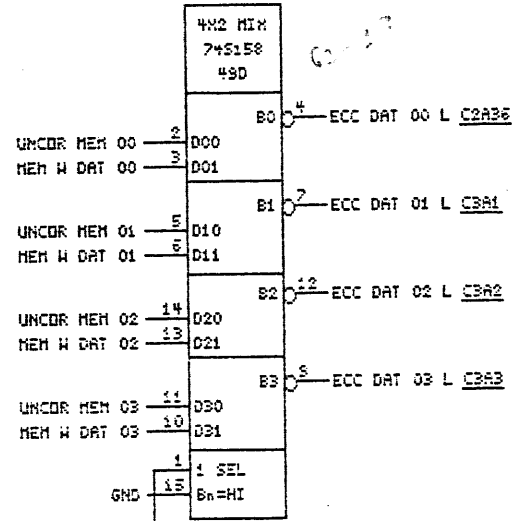
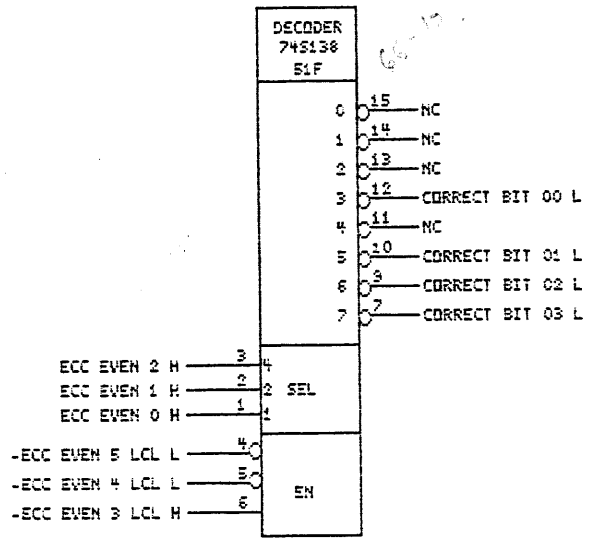


See 2nd prev. page

1	MEM R DAT A 00
2	MEM R DAT A 01
3	MEM R DAT A 02
4	MEM R DAT A 03
5	MEM R DAT A 04
6	MEM R DAT A 05
7	MEM R DAT A 06
8	MEM R DAT A 07
9	MEM R DAT A 08
10	MEM R DAT A 09
11	MEM R DAT A 0A
12	MEM R DAT A 0B
13	MEM R DAT A 0C
14	MEM R DAT A 0D
15	MEM R DAT A 0E

1	MEM R DAT B 00
2	MEM R DAT B 01
3	MEM R DAT B 02
4	MEM R DAT B 03
5	MEM R DAT B 04
6	MEM R DAT B 05
7	MEM R DAT B 06
8	MEM R DAT B 07
9	MEM R DAT B 08
10	MEM R DAT B 09
11	MEM R DAT B 0A
12	MEM R DAT B 0B
13	MEM R DAT B 0C
14	MEM R DAT B 0D
15	MEM R DAT B 0E



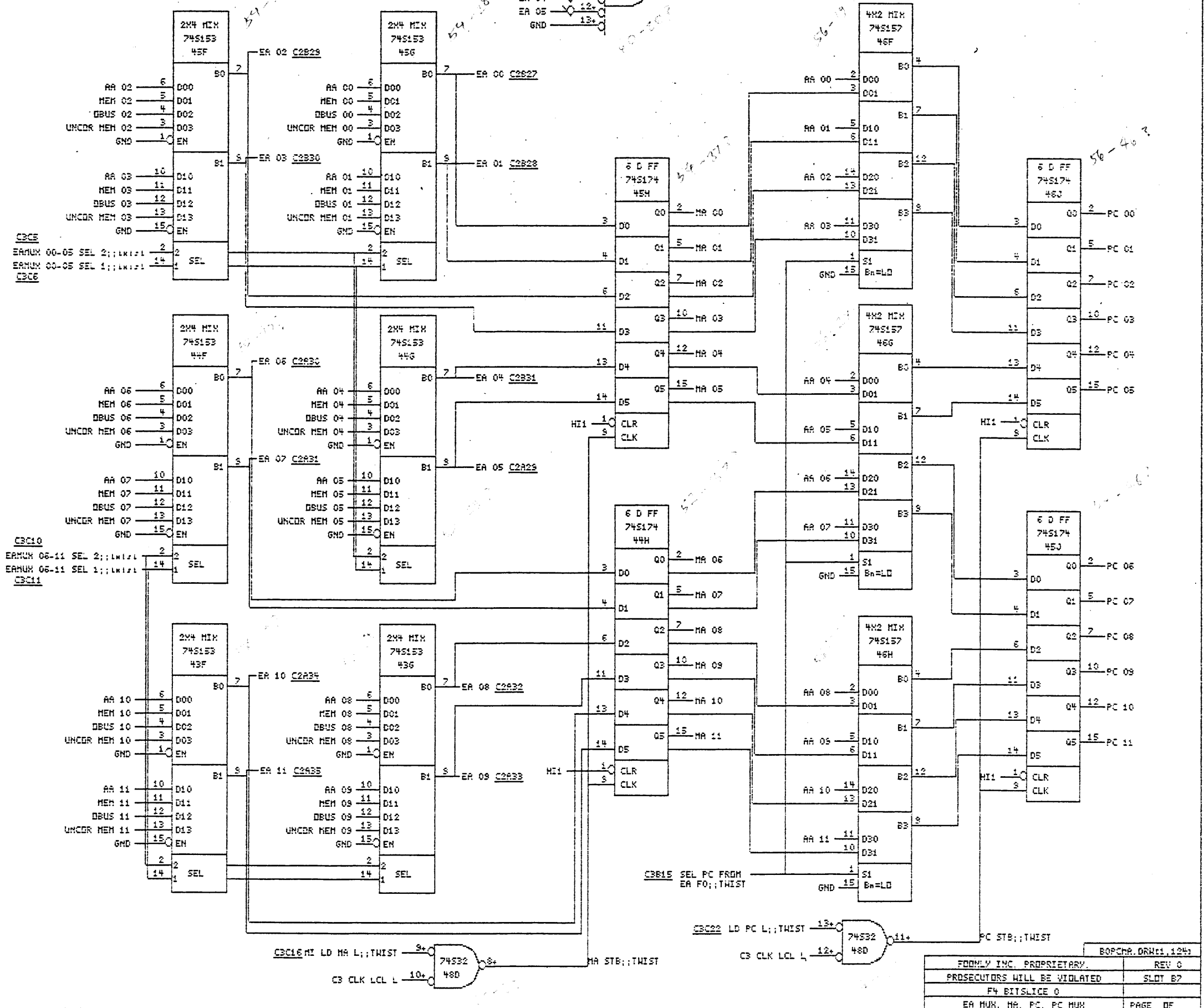
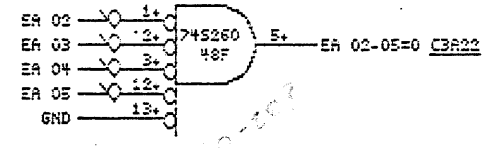


C3C24 -NC RD CY L; THIST

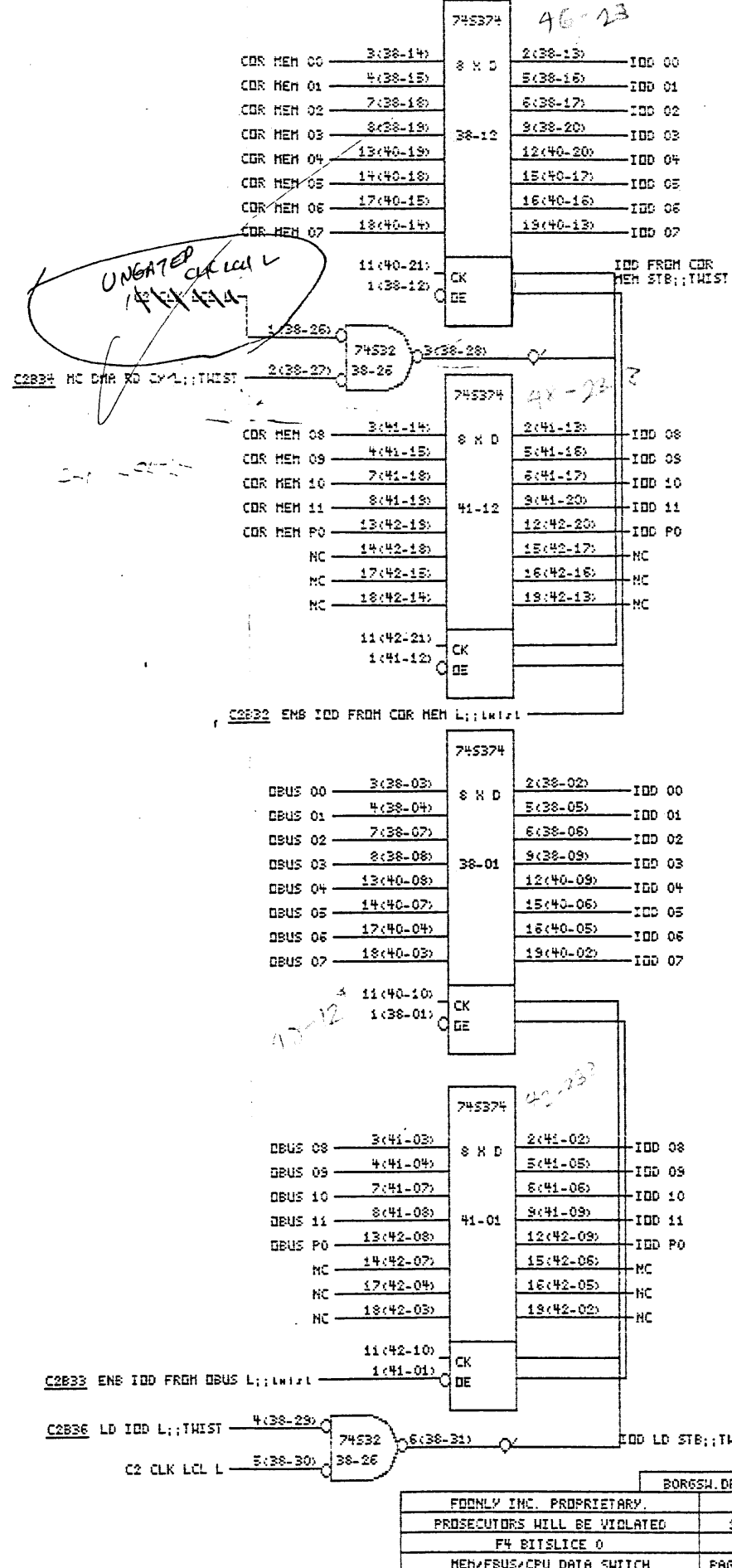
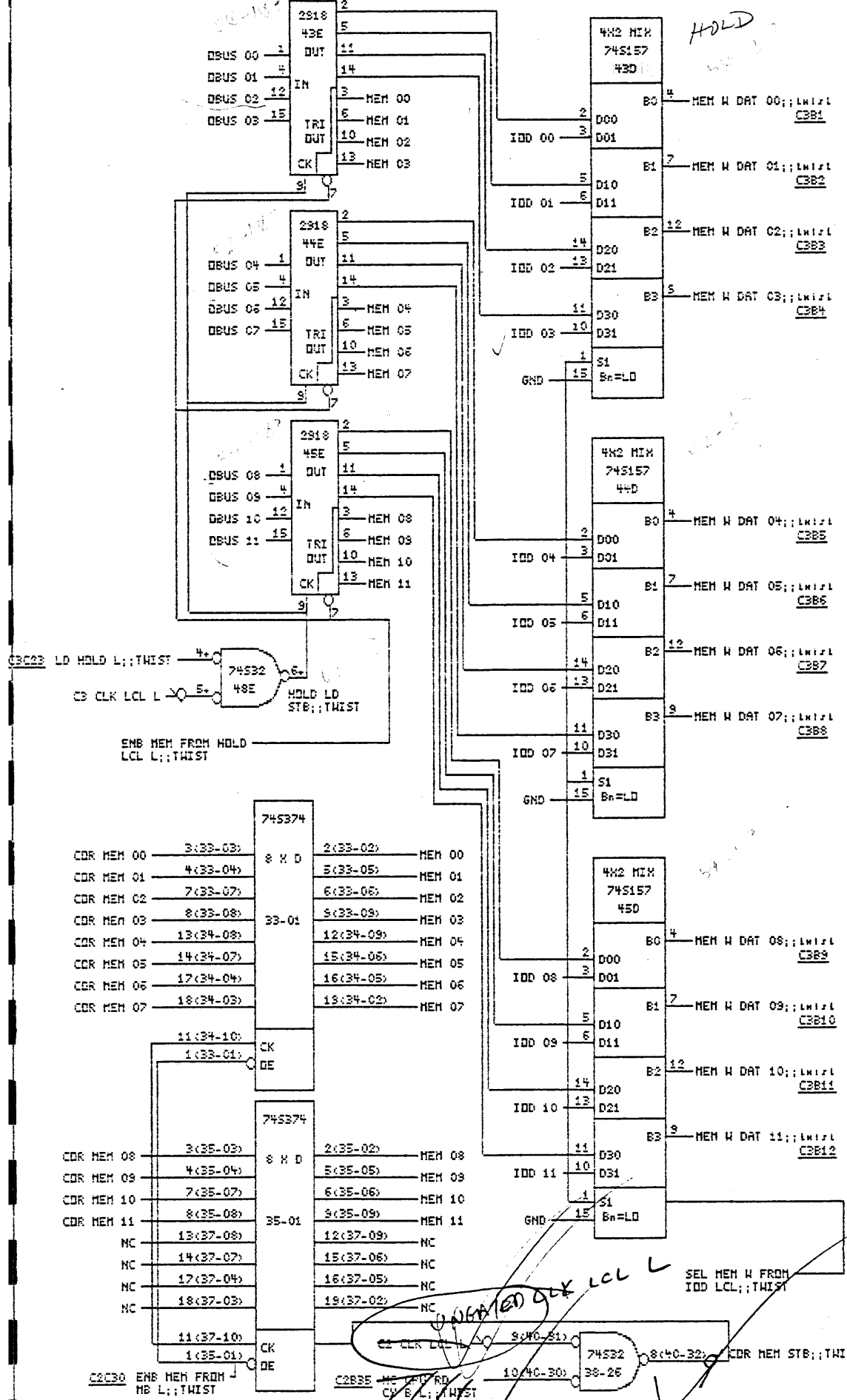
locations doubtful

WPA

RPA



Locations doubtful



Location doubtful (or unknown)

** BY DVA OF IDD 3 and ENB IDD FROM DBUS*

NC:** - B11C1A1
 AMEN ADR 06 - B11C1A2
 AMEN ADR 07 - B11C1A3
 AMEN ADR 08 - B11C1A4
 AMEN ADR 09 - B11C1A5
 MI JADR 08 - B11C1A6
 MI JADR 10 - B11C1A7
 MI JADR 11 - B11C1A8
 MM Dr(0) - B11C1A9
 DBUS P1 - B11C1A10
 MI JADR 04 - B11C1A11
 MI JADR 05 - B11C1A12
 B11C1A13
 B11C1A14
 AC B SEL 1(0) - B11C1A15
 AC B SEL 1(4) - B11C1A16
 AC B SEL 1(2) - B11C1A17
 AC B SEL 1(1) - B11C1A18
 MI ALU FUN 1(4) - B11C1A19
 MI ALU FUN 1(2) - B11C1A20
 MI ALU FUN 1(1) - B11C1A21
 MI ALU DST 1(4) - B11C1A22
 COMD ALU DST 1(2) - B11C1A23
 MI ALU DST 1(1) - B11C1A24
 MI ALU SRC 1(4) - B11C1A25
 MI ALU SRC 1(2) - B11C1A26
 MI ALU SRC 1(1) - B11C1A27
 AMEN P1 - B11C1A28
 B11C1A29
 B11C1A30
 UNGATED CLK L; THIST - B11C1A31
 ALU QSHIFT 12 - B11C1A32
 ALU QSHIFT 24 - B11C1A33
 ALU RAMSHIFT 12 - B11C1A34
 ALU RAMSHIFT 24 - B11C1A35
 NC:** - B11C1A36

NC:** - B11C1B1
 AMEN ADR 02 - B11C1B2
 AMEN ADR 03 - B11C1B3
 AMEN ADR 04 - B11C1B4
 AMEN ADR 05 - B11C1B5
 MI JADR 06 - B11C1B6
 MI JADR 07 - B11C1B7
 MI JADR 08 - B11C1B8
 MM Dr(2) - B11C1B9
 DBUS P1 - B11C1B10
 MI JADR 02 - B11C1B11
 MI JADR 03 - B11C1B12
 B11C1B13
 ALU RAMSHIFT 12 - B11C1B14
 ALU RAMSHIFT 24 - B11C1B15
 AC A SEL 1(0) - B11C1B16
 AC A SEL 1(4) - B11C1B17
 AC A SEL 1(2) - B11C1B18
 AC A SEL 1(1) - B11C1B19
 ENB MI STB C L; THIST - B11C1B20
 CC LDDP DRIVE B1 - B11C1B21
 CC LDDP DRIVE B2 - B11C1B22
 IOB DRV IN; THIST - B11C1B23
 SPC COMST 1, 1 - B11C1B24
 DBUS 12; THIST - B11C1B25
 DBUS 13; THIST - B11C1B26
 DBUS 14; THIST - B11C1B27
 DBUS 15; THIST - B11C1B28
 DBUS 16; THIST - B11C1B29
 DBUS 17; THIST - B11C1B30
 DBUS 18; THIST - B11C1B31
 DBUS 19; THIST - B11C1B32
 DBUS 20; THIST - B11C1B33
 DBUS 21; THIST - B11C1B34
 DBUS 22; THIST - B11C1B35
 DBUS 23; THIST - B11C1B36
 NC:** - B11C1B37

NC:** - B11C1C1
 AMEN ADR 00 - B11C1C2
 AMEN ADR 01 - B11C1C3
 NC:** - B11C1C4
 NC:** - B11C1C5
 NC:** - B11C1C6
 NC:** - B11C1C7
 NC:** - B11C1C8
 NC:** - B11C1C9
 MM Dr(1) - B11C1C10
 NC:** - B11C1C11
 NC:** - B11C1C12
 NC:** - B11C1C13
 ALU QSHIFT 12 - B11C1C14
 ALU QSHIFT 24 - B11C1C15
 NC:** - B11C1C16
 NC:** - B11C1C17
 NC:** - B11C1C18
 CI CLK L; THIST - B11C1C19
 MI LD AR L; THIST - B11C1C20
 ENB DBUS FROM EDBUS L; THIST - B11C1C21
 NC:** - B11C1C22
 NC:** - B11C1C23
 NC:** - B11C1C24
 MI JADR 12 - B11C1C25
 MI JADR 13 - B11C1C26
 AMEN SE; THIST - B11C1C27
 NC:** - B11C1C28
 NC:** - B11C1C29
 AMEN CE; THIST - B11C1C30
 NC:** - B11C1C31
 NC:** - B11C1C32
 NC:** - B11C1C33
 NC:** - B11C1C34
 NC:** - B11C1C35
 NC:** - B11C1C36

M/0 HI CNT1; THIST - B11C2A1
 M/0 HI CNT2; THIST - B11C2A2
 M/0 LD CNT1; THIST - B11C2A3
 M/0 LD CNT2; THIST - B11C2A4
 DBUS 12 - B11C2A5
 DBUS 13 - B11C2A6
 DBUS 14 - B11C2A7
 DBUS 15 - B11C2A8
 DBUS 16 - B11C2A9
 DBUS 17 - B11C2A10
 DBUS 18 - B11C2A11
 DBUS 19 - B11C2A12
 DBUS 20 - B11C2A13
 DBUS 21 - B11C2A14
 DBUS 22 - B11C2A15
 DBUS 23 - B11C2A16
 IDO 12 - B11C2A17
 IDO 13 - B11C2A18
 IDO 14 - B11C2A19
 IDO 15 - B11C2A20
 IDO 16 - B11C2A21
 IDO 17 - B11C2A22
 IDO 18 - B11C2A23
 IDO 19 - B11C2A24
 IDO 20 - B11C2A25
 IDO 21 - B11C2A26
 IDO 22 - B11C2A27
 IDO 23 - B11C2A28
 EA 17 - B11C2A29
 EA 18 - B11C2A30
 EA 19 - B11C2A31
 EA 20 - B11C2A32
 EA 21 - B11C2A33
 EA 22 - B11C2A34
 EA 23 - B11C2A35
 ECC DAT 12 L - B11C2A36

EDBUS 12; THIST - B11C2
 EDBUS 13; THIST - B11C2
 EDBUS 14; THIST - B11C2
 EDBUS 15; THIST - B11C2
 EDBUS 16; THIST - B11C2
 EDBUS 17; THIST - B11C2
 EDBUS 18; THIST - B11C2
 EDBUS 19; THIST - B11C2
 EDBUS 20; THIST - B11C2
 EDBUS 21; THIST - B11C2
 EDBUS 22; THIST - B11C2
 EDBUS 23; THIST - B11C2
 M/0 CLR; THIST - B11C2
 M/0 CLK; THIST - B11C2
 M/0 LD; THIST - B11C2
 M/0 CLR; THIST - B11C2
 ENB DBUS FROM P/0 HI; THIST - B11C2
 ENB DBUS FROM P/0 LD; THIST - B11C2
 M/0 ALU S3 L; THIST - B11C2
 M/0 ALU S2 L; THIST - B11C2
 M/0 ALU S1 L; THIST - B11C2
 M/0 ALU S0 L; THIST - B11C2
 M/0 ALU M L; THIST - B11C2
 SEL P/0 R27-L1 L; THIST - B11C2
 IDO P1 - B11C2
 EA 12 - B11C2
 EA 13 - B11C2
 EA 14 - B11C2
 EA 15 - B11C2
 EA 16 - B11C2
 ENB IDO FROM COR MEN L; THIST - B11C2
 ENB IDO FROM DBUS L; THIST - B11C2
 NC DMA RD CY L; THIST - B11C2
 NC LD MB L; THIST - B11C2
 LD IDO L; THIST - B11C2

B1-2
 15 pages

ECC DAT 13 L - B11C3A1
 ECC DAT 14 L - B11C3A2
 ECC DAT 15 L - B11C3A3
 ECC DAT 16 L - B11C3A4
 ECC DAT 17 L - B11C3A5
 ECC DAT 18 L - B11C3A6
 ECC DAT 19 L - B11C3A7
 ECC DAT 20 L - B11C3A8
 ECC DAT 21 L - B11C3A9
 ECC DAT 22 L - B11C3A10
 ECC DAT 23 L - B11C3A11
 AA C 24 L; THIST - B11C3A12
 AA C 12 L; THIST - B11C3A13
 B1 ALU0 P L - B11C3A14
 B1 ALU0 S L - B11C3A15
 B1 ALU1 P L - B11C3A16
 B1 ALU1 S L - B11C3A17
 ALU0 CIN 23 - B11C3A18
 ALU0 CIN 23 - B11C3A19
 ER 18-22=0 - B11C3A20
 B11C3A21
 LD IR 13-35 L; THIST - B11C3A22
 B1 ALU OUT=0 - B11C3A23
 ER 14-17=0 - B11C3A24
 MEM R DAT B 12 - B11C3A25
 MEM R DAT B 13 - B11C3A26
 MEM R DAT B 14 - B11C3A27
 MEM R DAT B 15 - B11C3A28
 MEM R DAT B 16 - B11C3A29
 MEM R DAT B 17 - B11C3A30
 MEM R DAT B 18 - B11C3A31
 MEM R DAT B 19 - B11C3A32
 MEM R DAT B 20 - B11C3A33
 MEM R DAT B 21 - B11C3A34
 MEM R DAT B 22 - B11C3A35
 MEM R DAT B 23 - B11C3A36

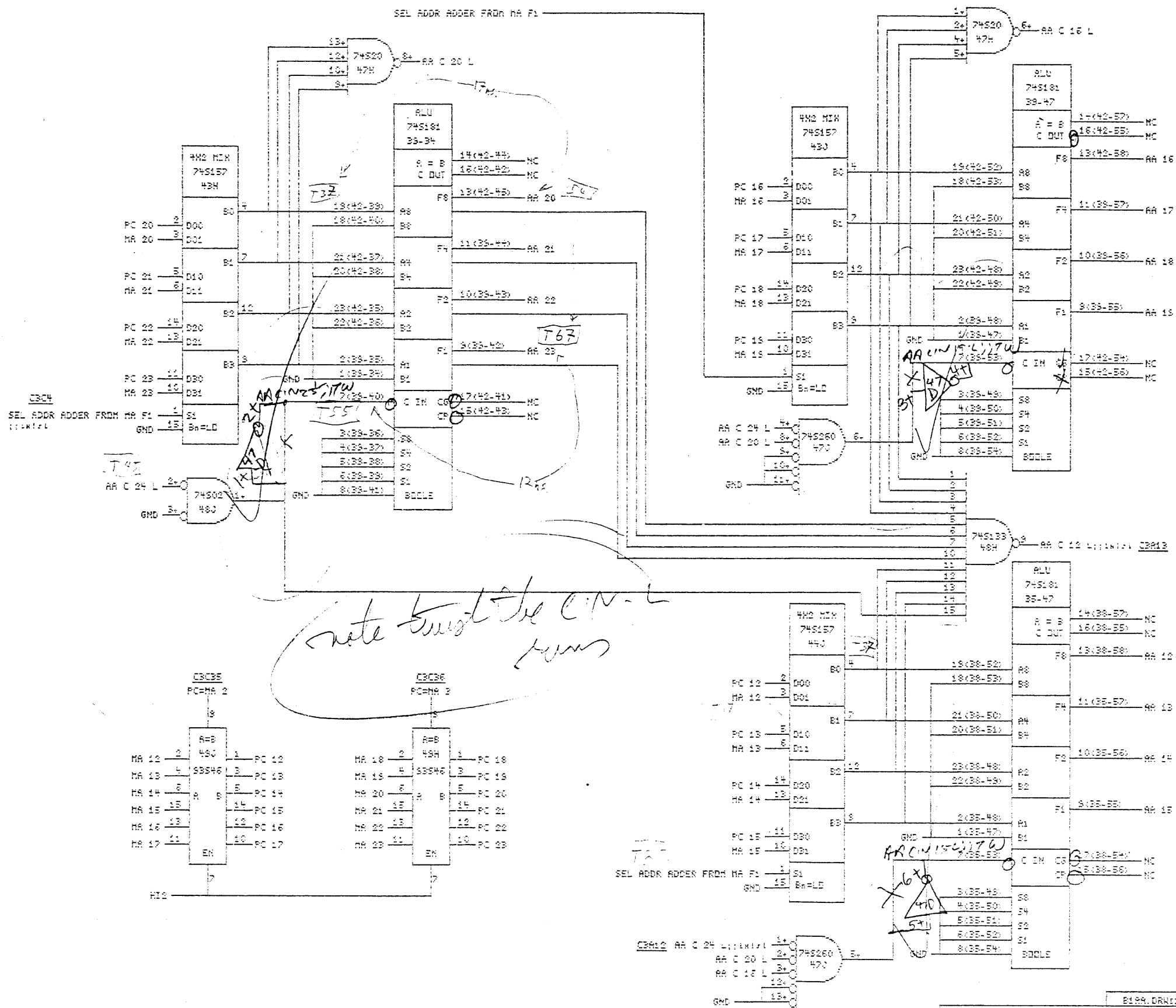
MEM W DAT 13; THIST - B11C3B1
 MEM W DAT 13; THIST - B11C3B2
 MEM W DAT 14; THIST - B11C3B3
 MEM W DAT 15; THIST - B11C3B4
 MEM W DAT 16; THIST - B11C3B5
 MEM W DAT 17; THIST - B11C3B6
 MEM W DAT 18; THIST - B11C3B7
 MEM W DAT 19; THIST - B11C3B8
 MEM W DAT 20; THIST - B11C3B9
 MEM W DAT 21; THIST - B11C3B10
 MEM W DAT 22; THIST - B11C3B11
 MEM W DAT 23; THIST - B11C3B12
 NC M/0 LD CNT1; THIST - B11C3B13
 NC M/0 LD CNT2; THIST - B11C3B14
 SEL PC FROM ER F1; THIST - B11C3B15
 B11C3B16
 B11C3B17
 LD IR 18-35 L; THIST - B11C3B18
 ECC EVEN 0 L - B11C3B19
 ECC EVEN 1 L - B11C3B20
 ECC EVEN 2 L - B11C3B21
 ECC EVEN 3 + DIS L - B11C3B22
 ECC EVEN 4 + DIS L - B11C3B23
 ECC EVEN 5 + DIS L - B11C3B24
 MEM R DAT A 12 - B11C3B25
 MEM R DAT A 13 - B11C3B26
 MEM R DAT A 14 - B11C3B27
 MEM R DAT A 15 - B11C3B28
 MEM R DAT A 16 - B11C3B29
 MEM R DAT A 17 - B11C3B30
 MEM R DAT A 18 - B11C3B31
 MEM R DAT A 19 - B11C3B32
 MEM R DAT A 20 - B11C3B33
 MEM R DAT A 21 - B11C3B34
 MEM R DAT A 22 - B11C3B35
 MEM R DAT A 23 - B11C3B36

NC:** - B11C3C1
 NC:** - B11C3C2
 NC:** - B11C3C3
 SEL ADDR ADDER FROM HA P1; THIST - B11C3C4
 ERNUM 12-17 SEL 2; THIST - B11C3C5
 ERNUM 12-17 SEL 1; THIST - B11C3C6
 NC:** - B11C3C7
 NC:** - B11C3C8
 NC:** - B11C3C9
 ERNUM 18-23 SEL 2; THIST - B11C3C10
 ERNUM 18-23 SEL 1; THIST - B11C3C11
 ENB DBUS FROM DMUX; THIST - B11C3C12
 NC:** - B11C3C13
 NC:** - B11C3C14
 NC:** - B11C3C15
 NC LD HA L; THIST - B11C3C16
 LD IR L; THIST - B11C3C17
 CB CLK L; THIST - B11C3C18
 NC:** - B11C3C19
 NC:** - B11C3C20
 NC:** - B11C3C21
 LD PC L; THIST - B11C3C22
 LD HOLD L; THIST - B11C3C23
 NC RD CY L; THIST - B11C3C24
 NC:** - B11C3C25
 NC:** - B11C3C26
 NC:** - B11C3C27
 B11C3C28
 MEM W DAT P1 - B11C3C29
 DBUS 13 B - B11C3C30
 NC:** - B11C3C31
 NC:** - B11C3C32
 NC:** - B11C3C33
 IR 13=0 - B11C3C34
 PCMA 2 - B11C3C35
 PCMA 3 - B11C3C36

NC:** - B11C3D1
 NC:** - B11C3D2
 NC:** - B11C3D3
 DEST:EDBUS; L; THIST - B11C3D4
 ENB DBUS FROM M/0 HI L; THIST - B11C3D5
 ENB DBUS FROM M/0 LD L; THIST - B11C3D6
 B11C3D7
 NC:** - B11C3D8
 NC:** - B11C3D9
 NC:** - B11C3D10
 L IDO P1 - B11C3D11
 ENB DBUS FROM ALU L; THIST - B11C3D12
 NC:** - B11C3D13
 NC:** - B11C3D14
 NC:** - B11C3D15
 ENB DBUS FROM ALU L; THIST - B11C3D16
 CC DATA LDDP DE L - B11C3D17
 CC CLK L; THIST - B11C3D18
 NC:** - B11C3D19
 NC:** - B11C3D20
 NC:** - B11C3D21
 SEL MEN W FROM IDO; THIST - B11C3D22
 ENB MEN FROM HOLD L; THIST - B11C3D23
 B1 MD ALU AND L; THIST - B11C3D24
 NC:** - B11C3D25
 NC:** - B11C3D26
 NC:** - B11C3D27
 M/0 HI CNT1 L; THIST - B11C3D28
 M/0 HI CNT2 L; THIST - B11C3D29
 ENB MEN FROM MB L; THIST - B11C3D30
 NC:** - B11C3D31
 NC:** - B11C3D32
 NC:** - B11C3D33
 CC DATA LDDP CTRL 1 - B11C3D34
 CC SRB CLK L; THIST - B11C3D35
 CC DATA LDDP CTRL 2 - B11C3D36

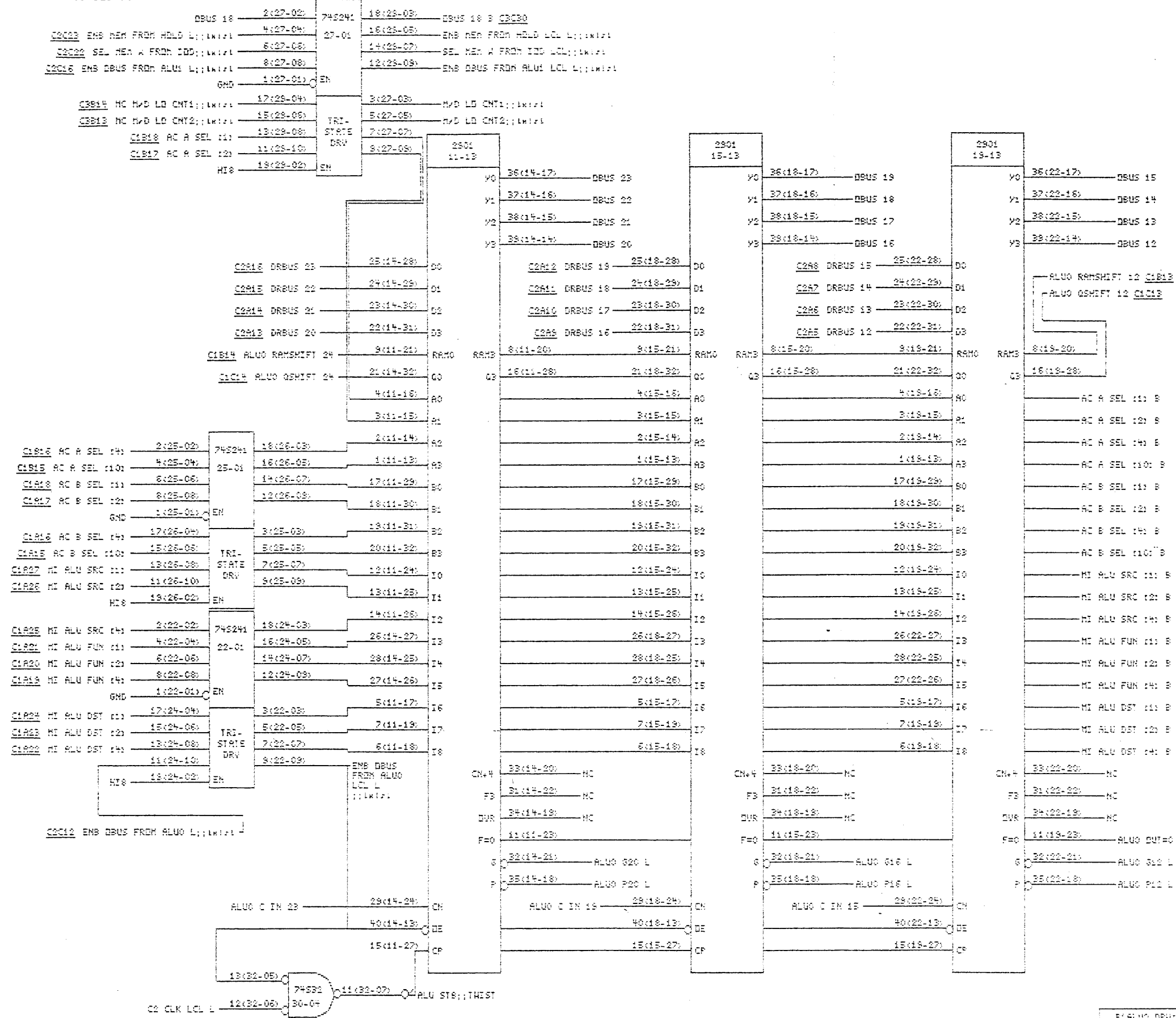
NC:** - B11C3E1
 NC:** - B11C3E2
 NC:** - B11C3E3
 NC:** - B11C3E4
 NC:** - B11C3E5
 NC:** - B11C3E6
 NC:** - B11C3E7
 NC:** - B11C3E8
 NC:** - B11C3E9
 NC:** - B11C3E10
 NC:** - B11C3E11
 NC:** - B11C3E12
 NC:** - B11C3E13
 NC:** - B11C3E14
 NC:** - B11C3E15
 NC:** - B11C3E16
 NC:** - B11C3E17
 NC:** - B11C3E18
 NC:** - B11C3E19
 NC:** - B11C3E20
 NC:** - B11C3E21
 NC:** - B11C3E22
 NC:** - B11C3E23
 NC:** - B11C3E24
 NC:** - B11C3E25
 NC:** - B11C3E26
 NC:** - B11C3E27
 NC:** - B11C3E28
 NC:** - B11C3E29
 NC:** - B11C3E30
 NC:** - B11C3E31
 NC:** - B11C3E32
 NC:** - B11C3E33
 NC:** - B11C3E34
 NC:** - B11C3E35
 NC:** - B11C3E36

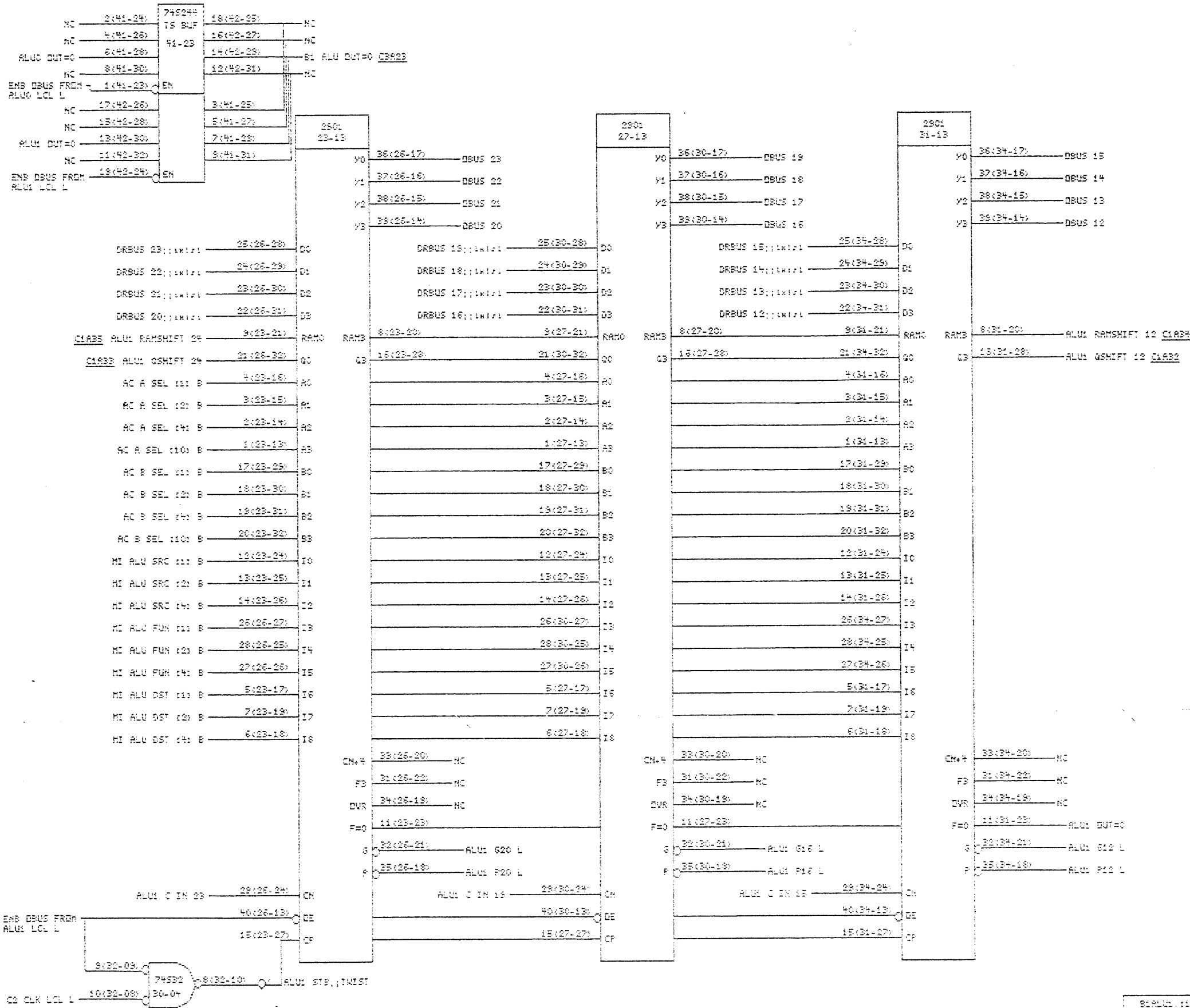
DRAWN (111)	
DATE	REV
SHEET	CAROLDC
TITLE	
DATE	PAGE OF

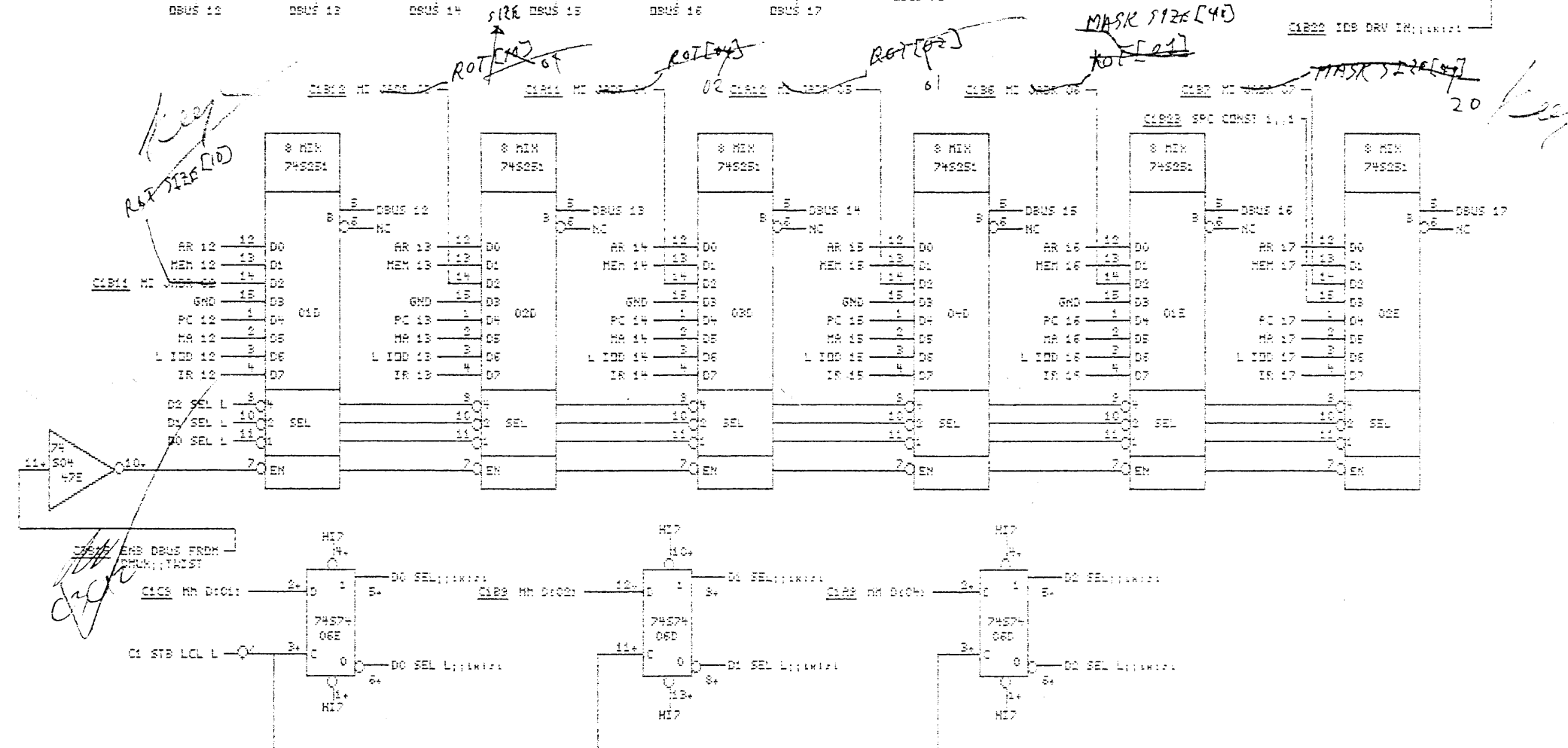
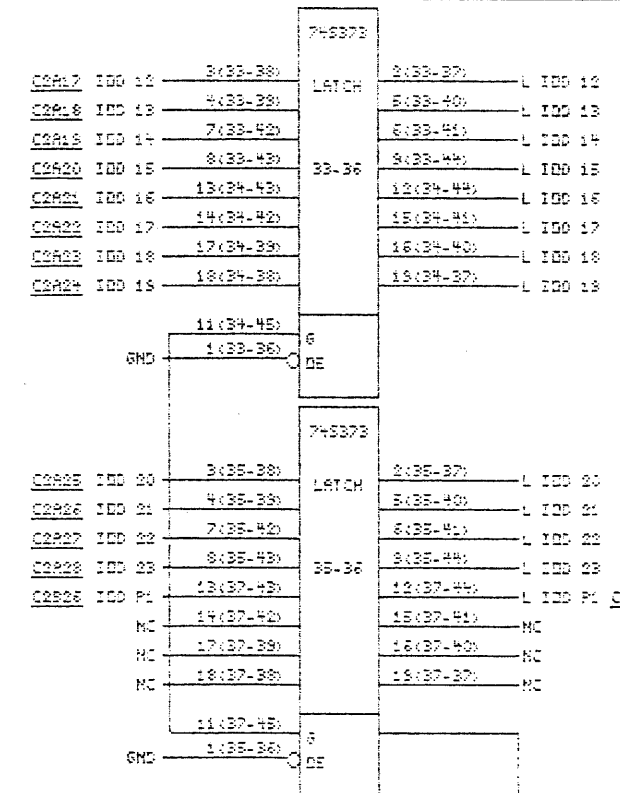
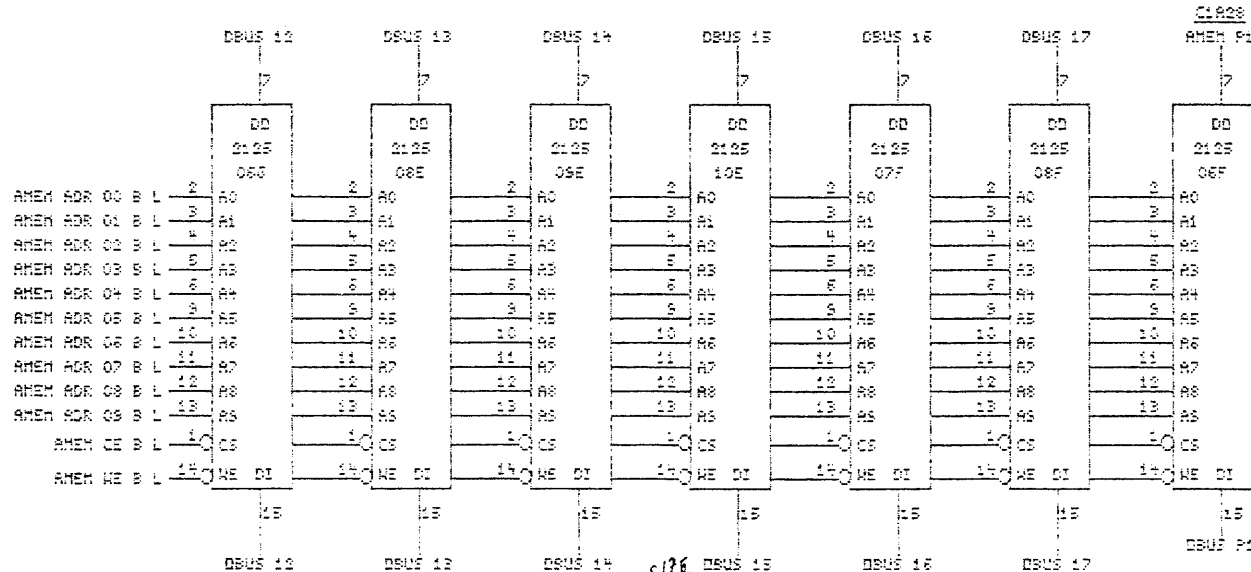


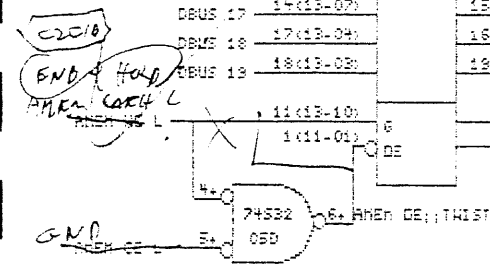
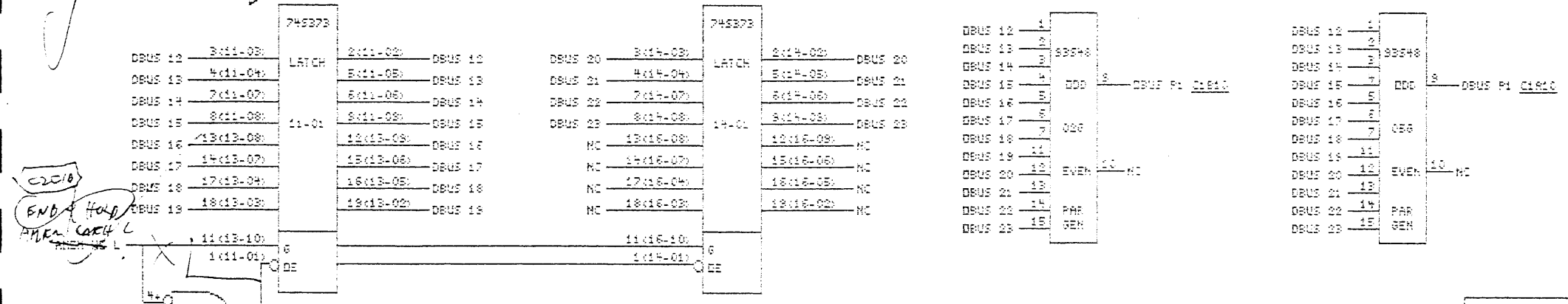
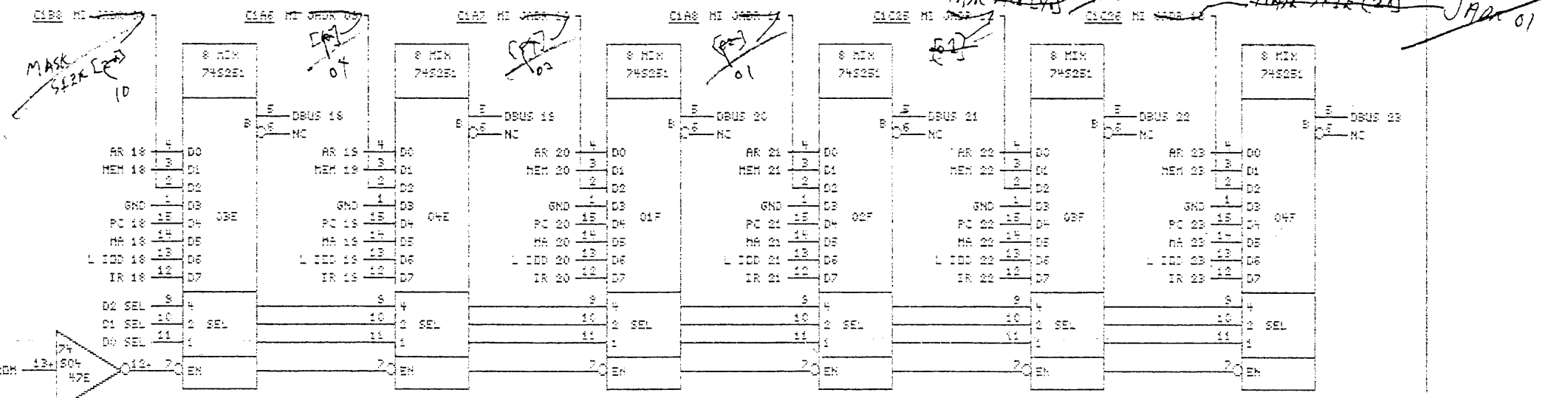
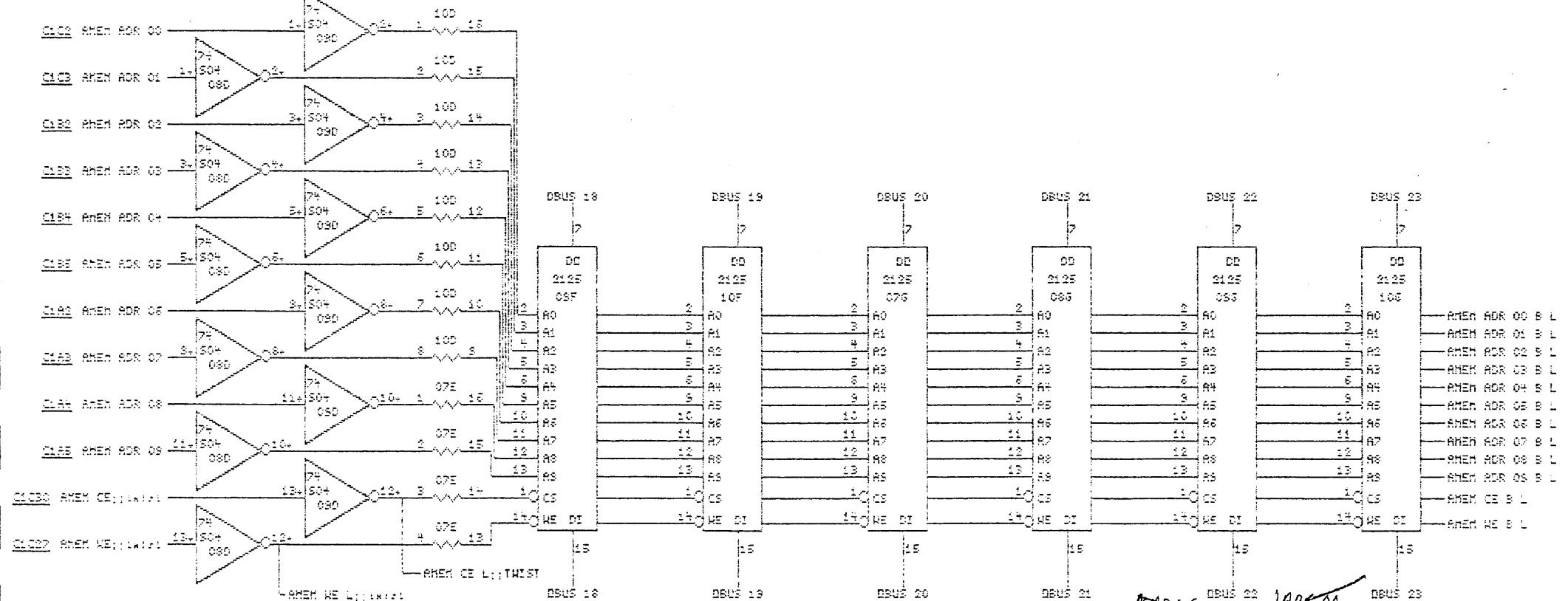
B1-2

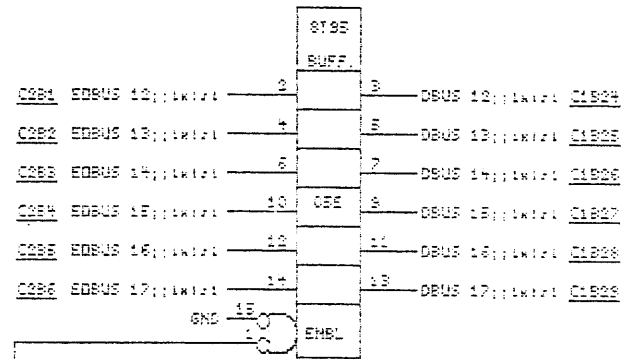
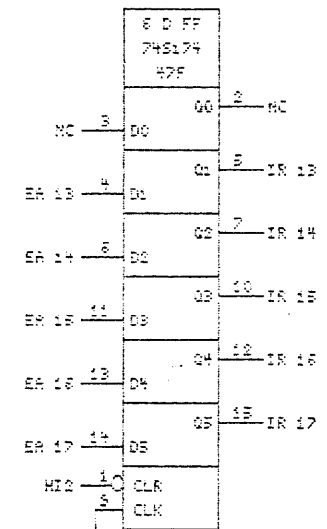
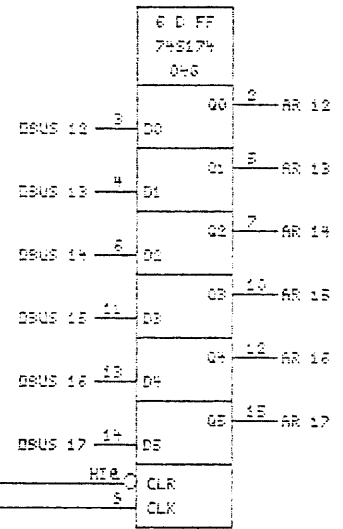
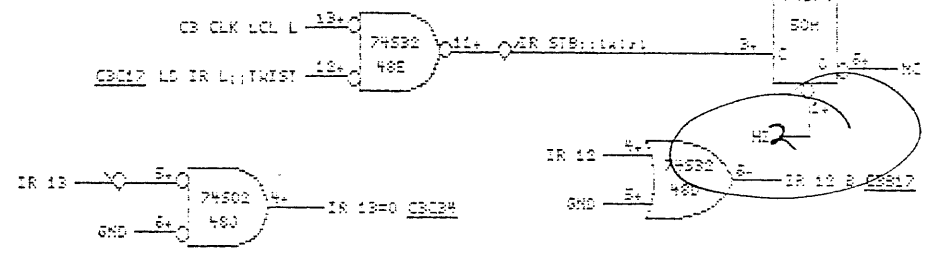
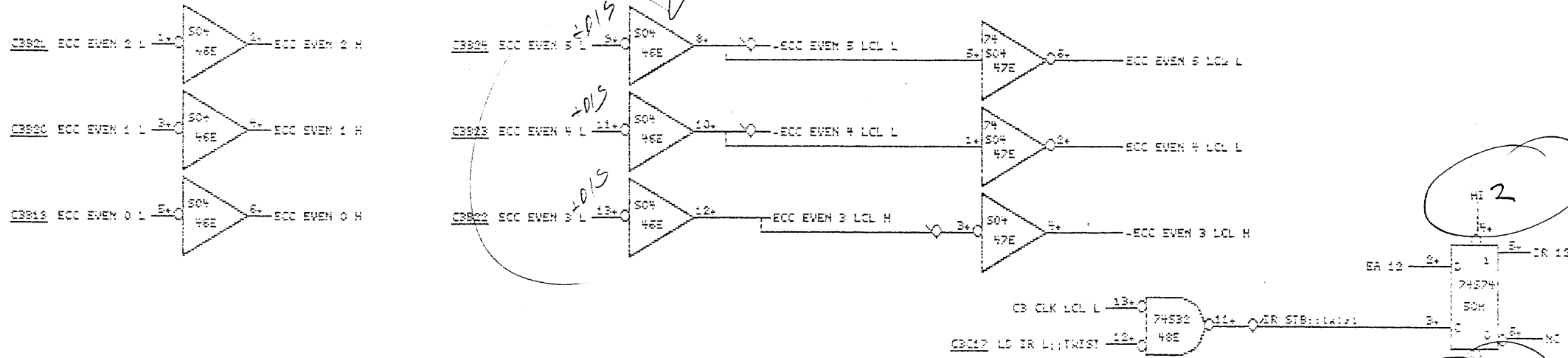
f



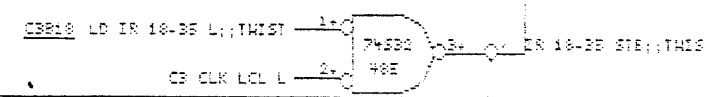
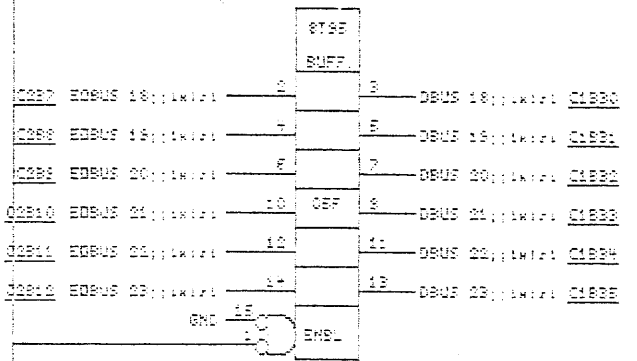
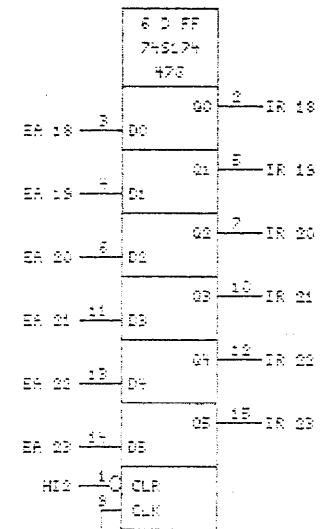
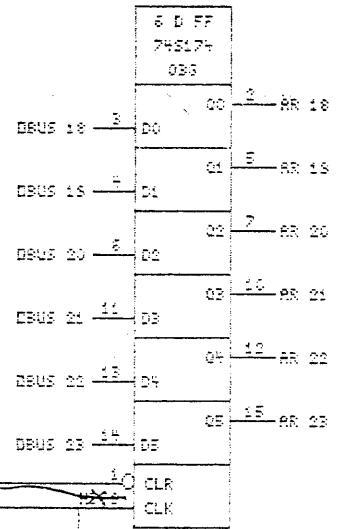




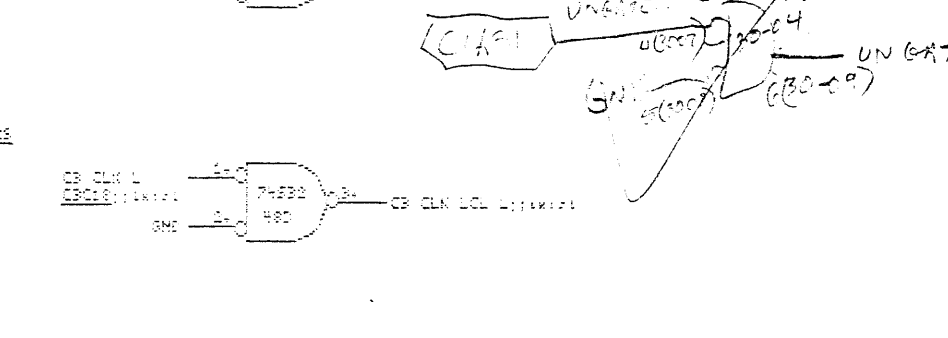
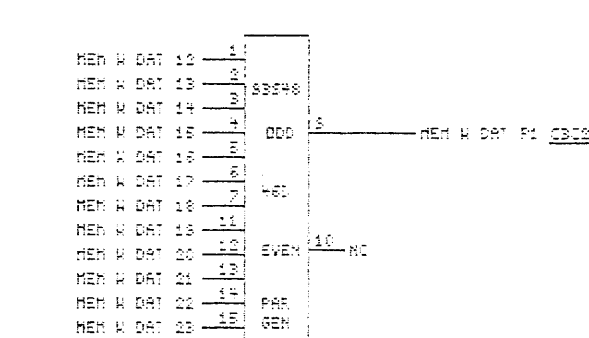
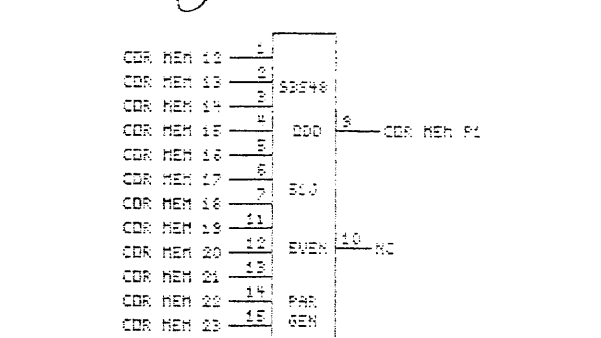
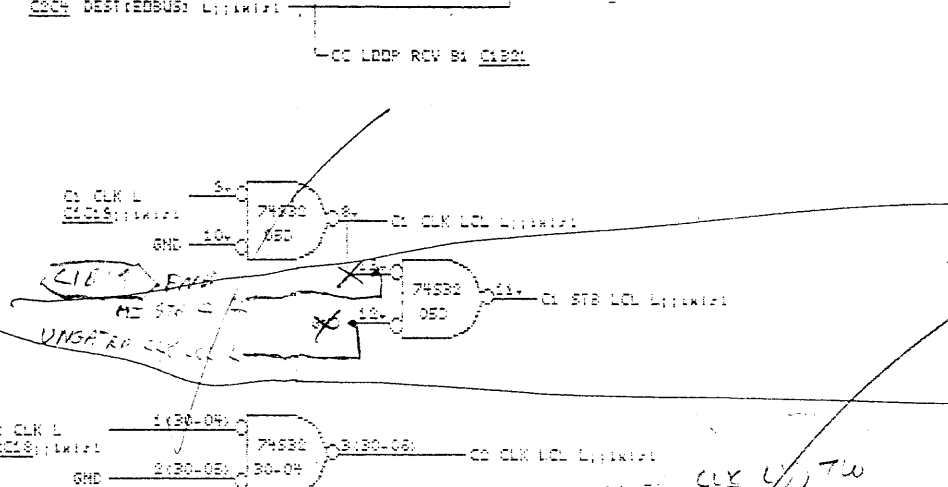
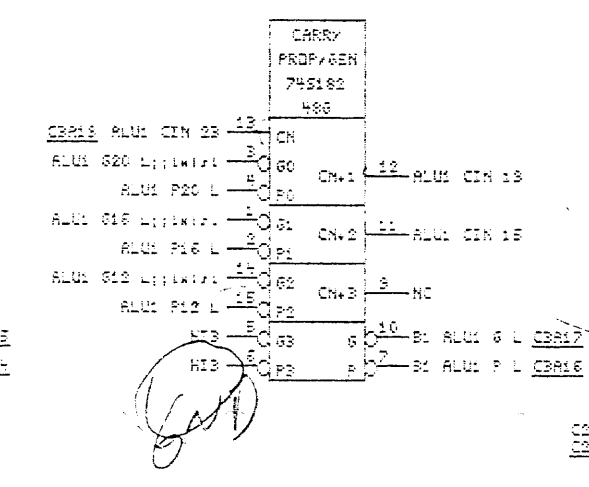
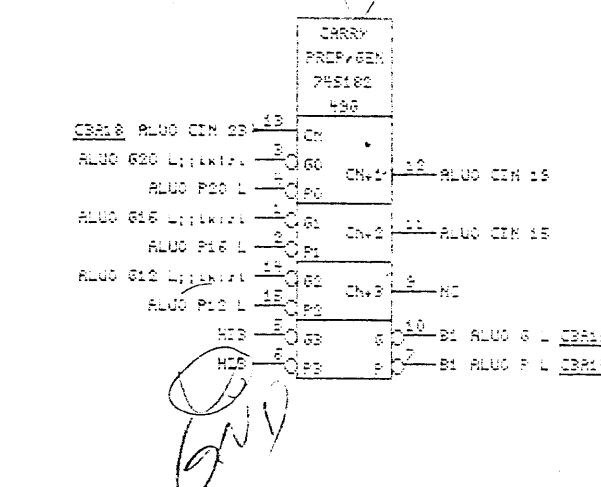
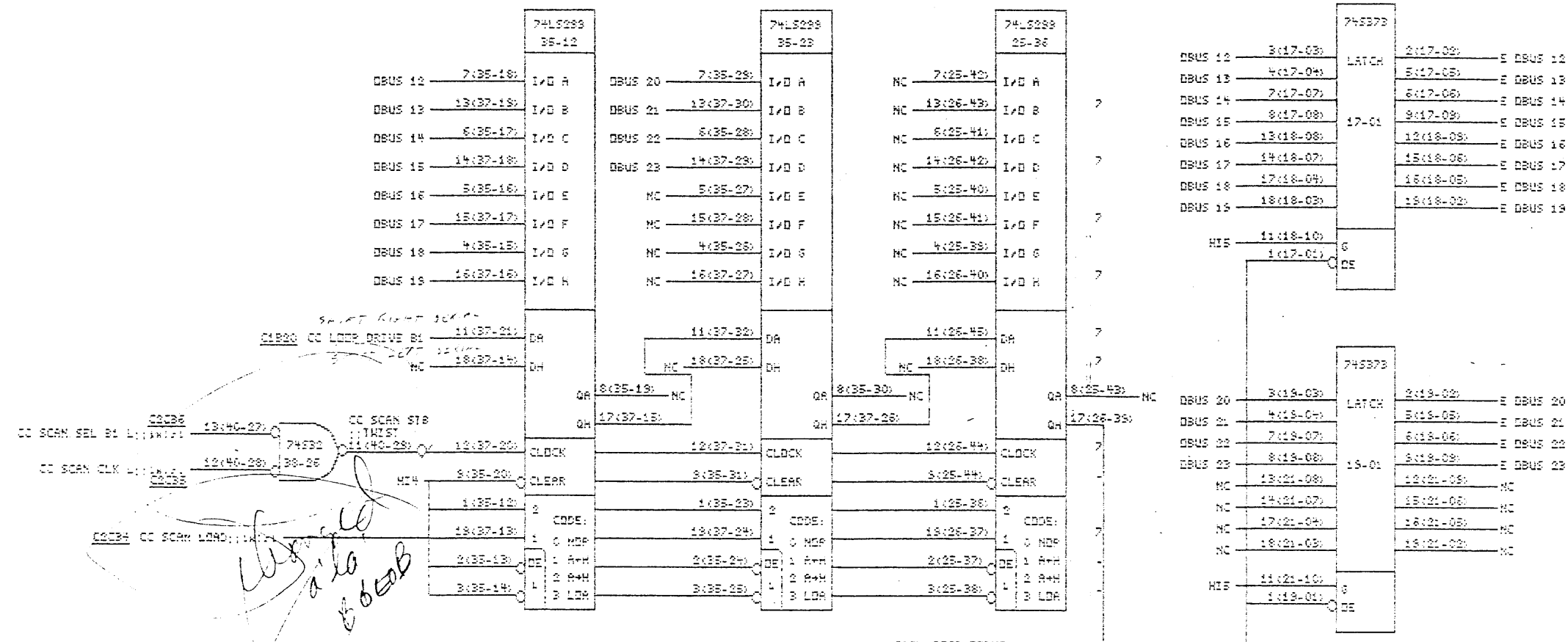


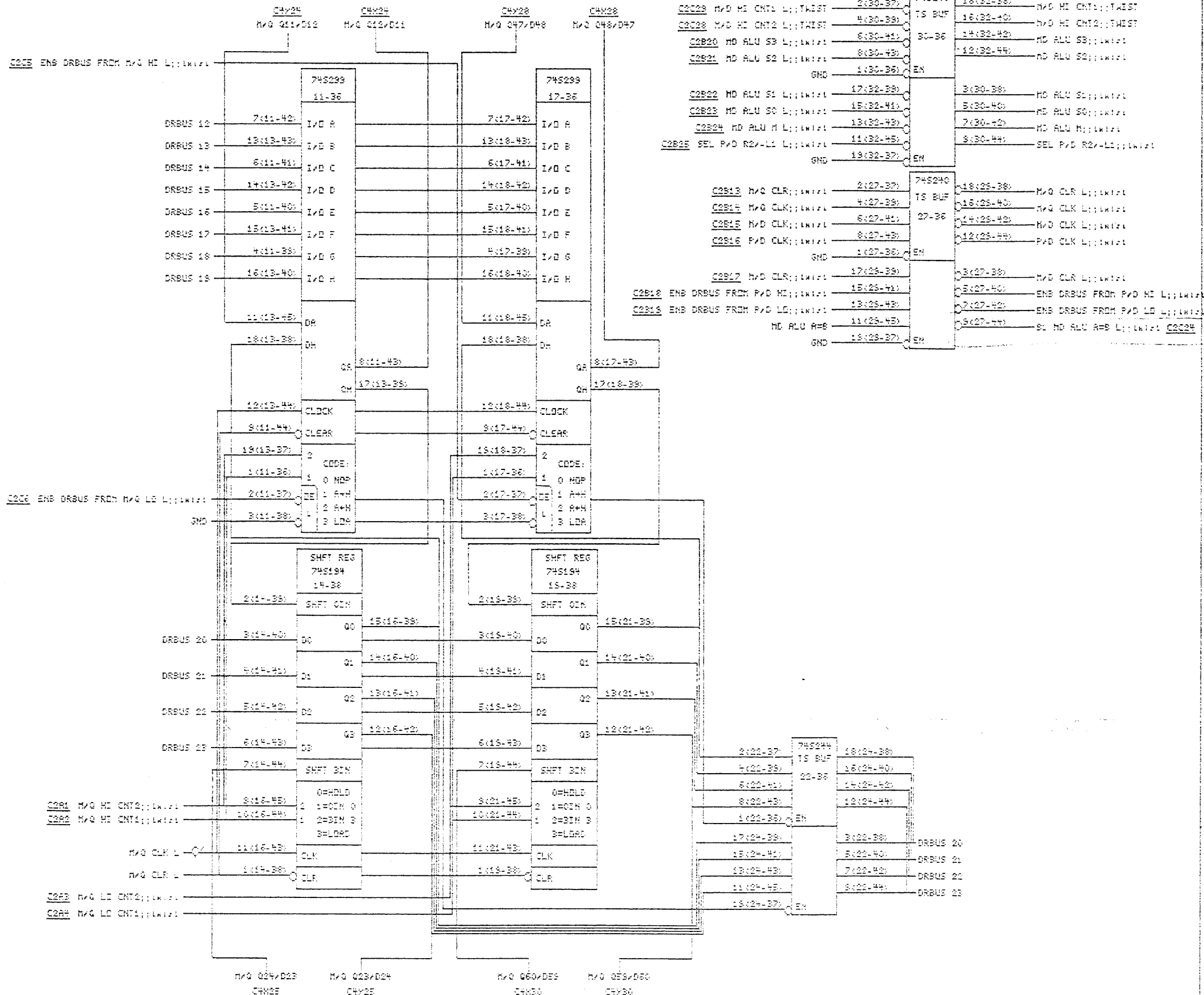


HI 6



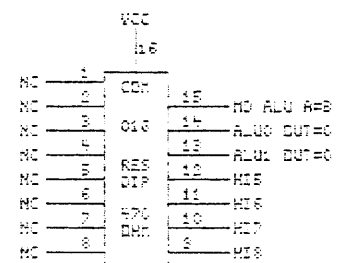
C1021 ENB DBUS FROM EDBUS L, THIST

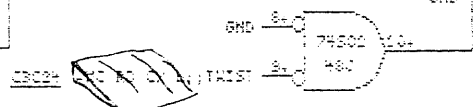
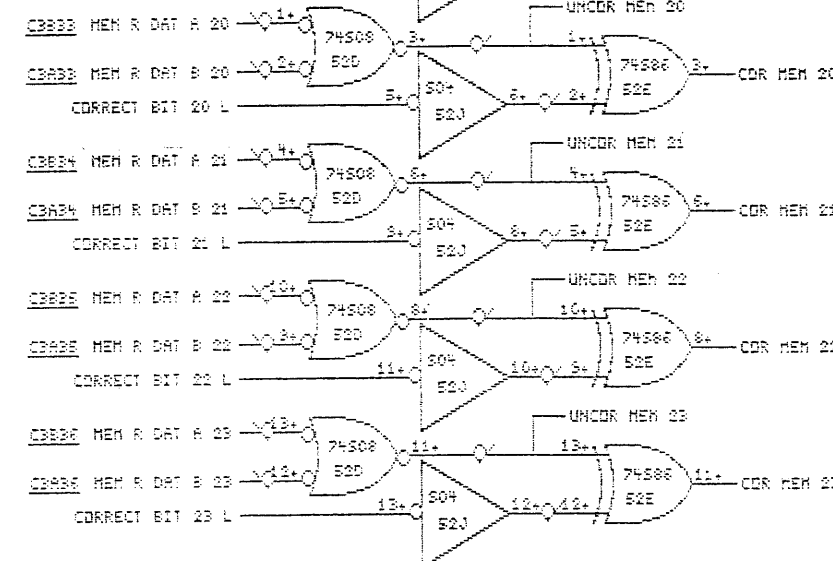
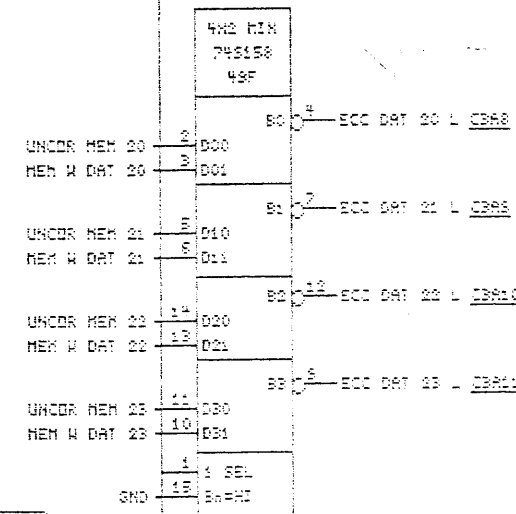
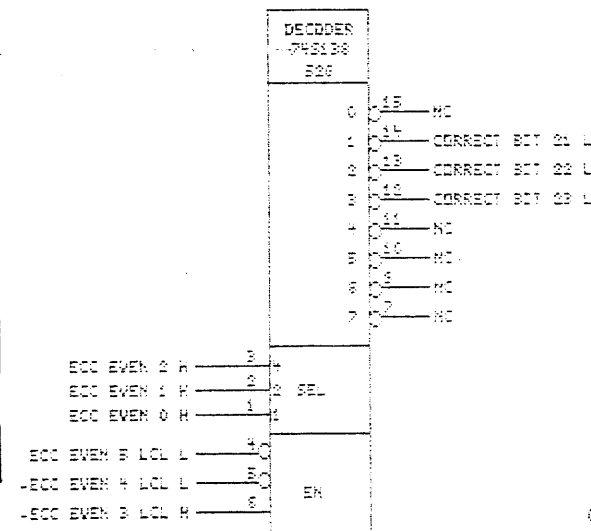
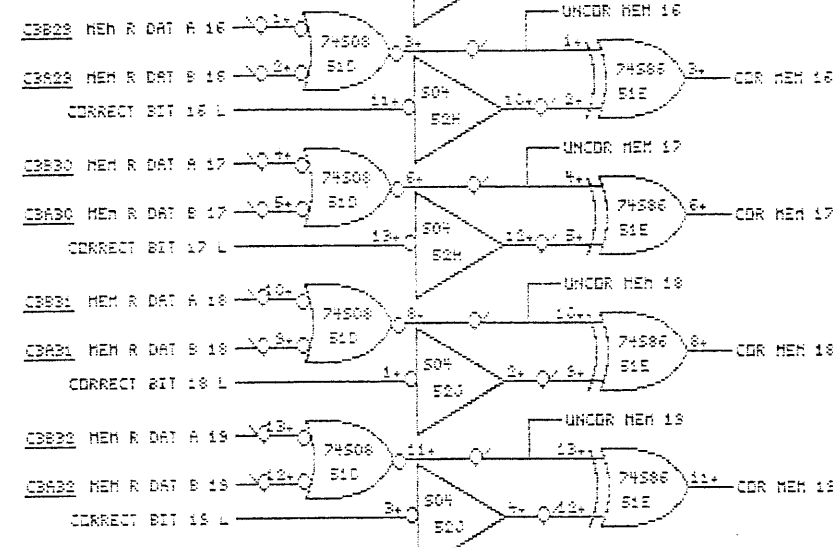
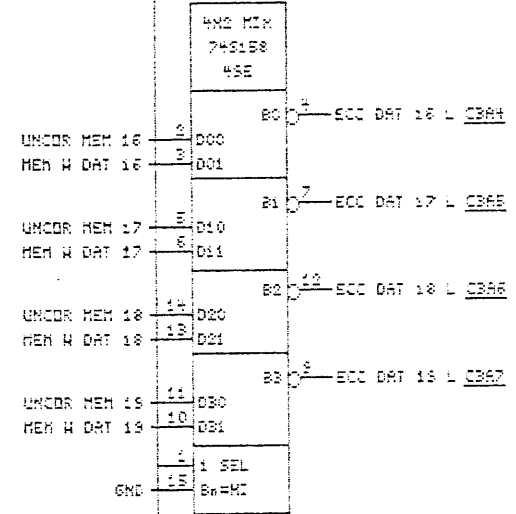
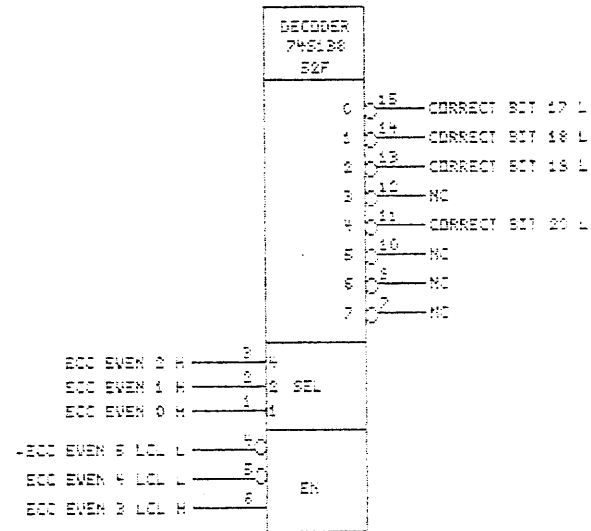
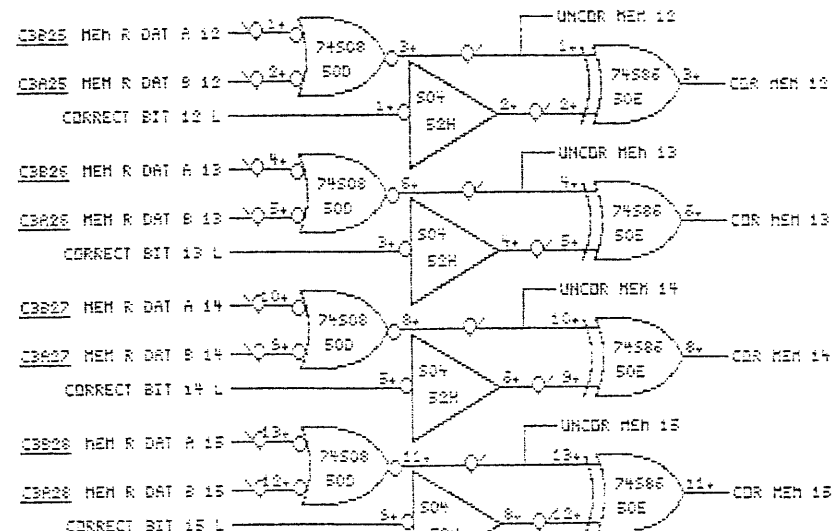
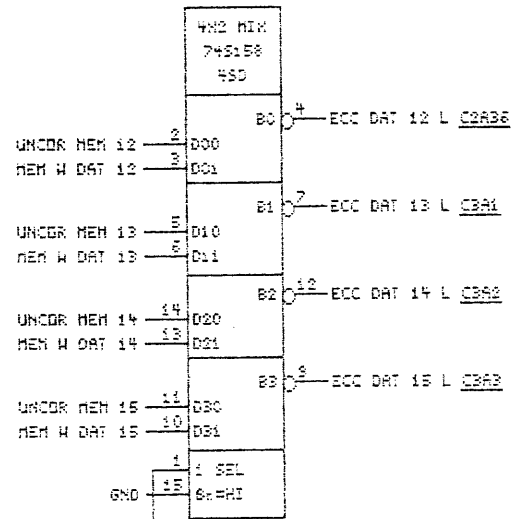
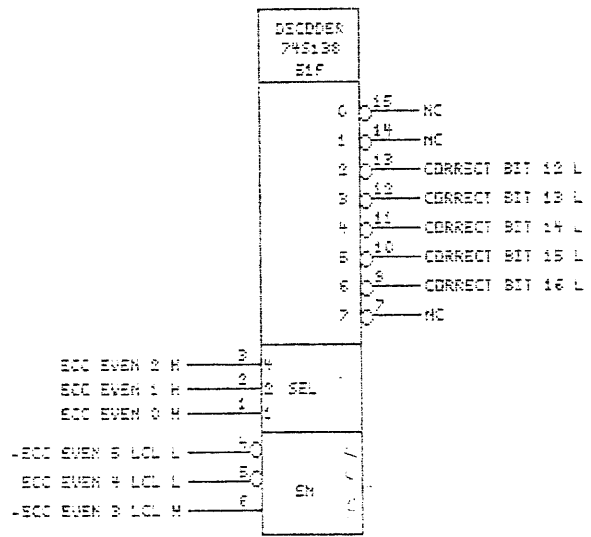


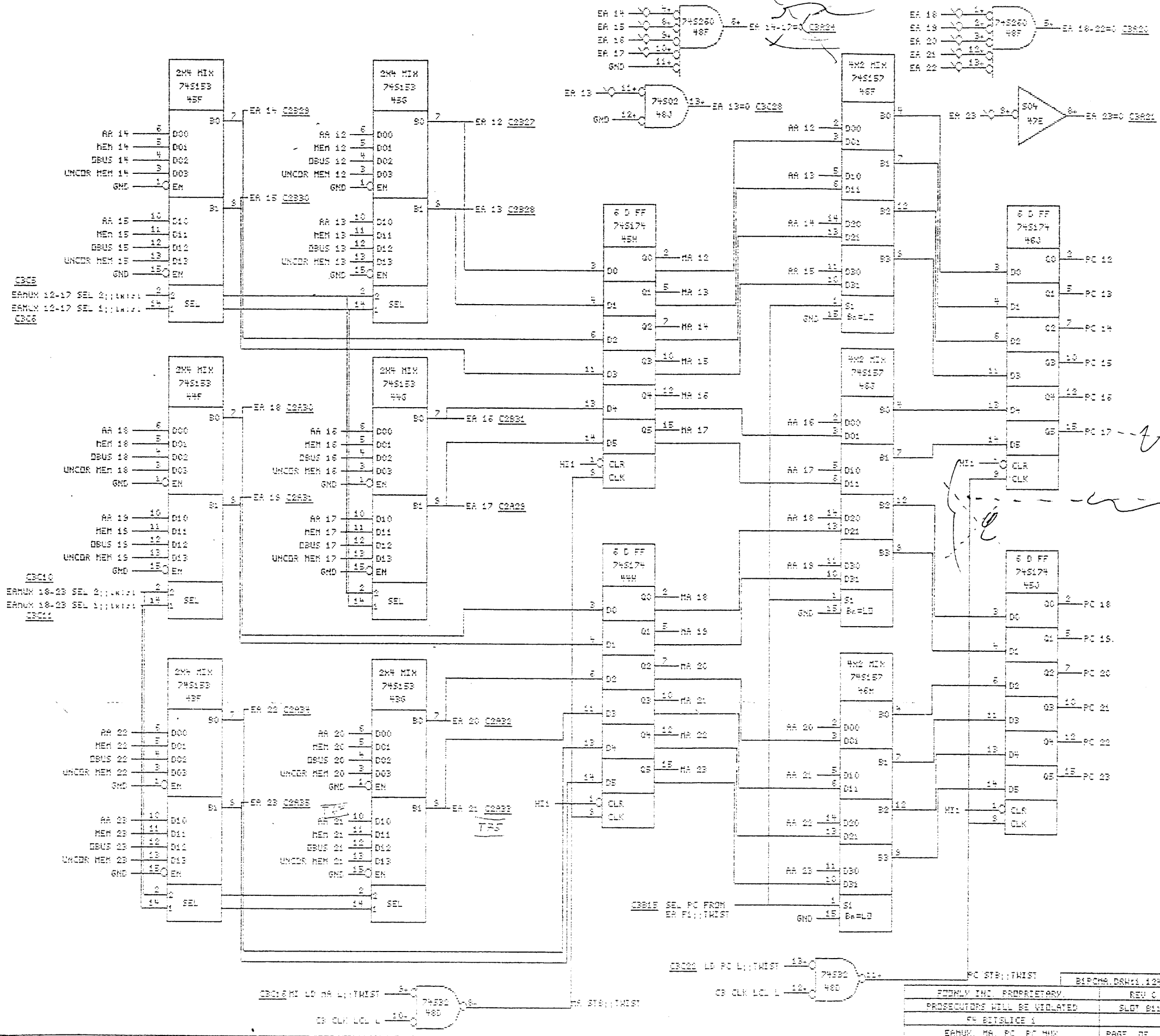


50F	1	MEM R DAT A 12
	2	MEM R DAT A 13
	3	MEM R DAT A 14
	4	MEM R DAT A 15
	5	MEM R DAT A 16
	6	MEM R DAT A 17
	7	MEM R DAT A 18
	8	MEM R DAT A 19
	9	MEM R DAT A 20
	10	MEM R DAT A 21
	11	MEM R DAT A 22
	12	MEM R DAT A 23
	13	MEM R DAT A 23
	14	HI1
	15	HI2

50G	1	MEM R DAT B 12
	2	MEM R DAT B 13
	3	MEM R DAT B 14
	4	MEM R DAT B 15
	5	MEM R DAT B 16
	6	MEM R DAT B 17
	7	MEM R DAT B 18
	8	MEM R DAT B 19
	9	MEM R DAT B 20
	10	MEM R DAT B 21
	11	MEM R DAT B 22
	12	MEM R DAT B 23
	13	MEM R DAT B 23
	14	HI3
	15	HI4

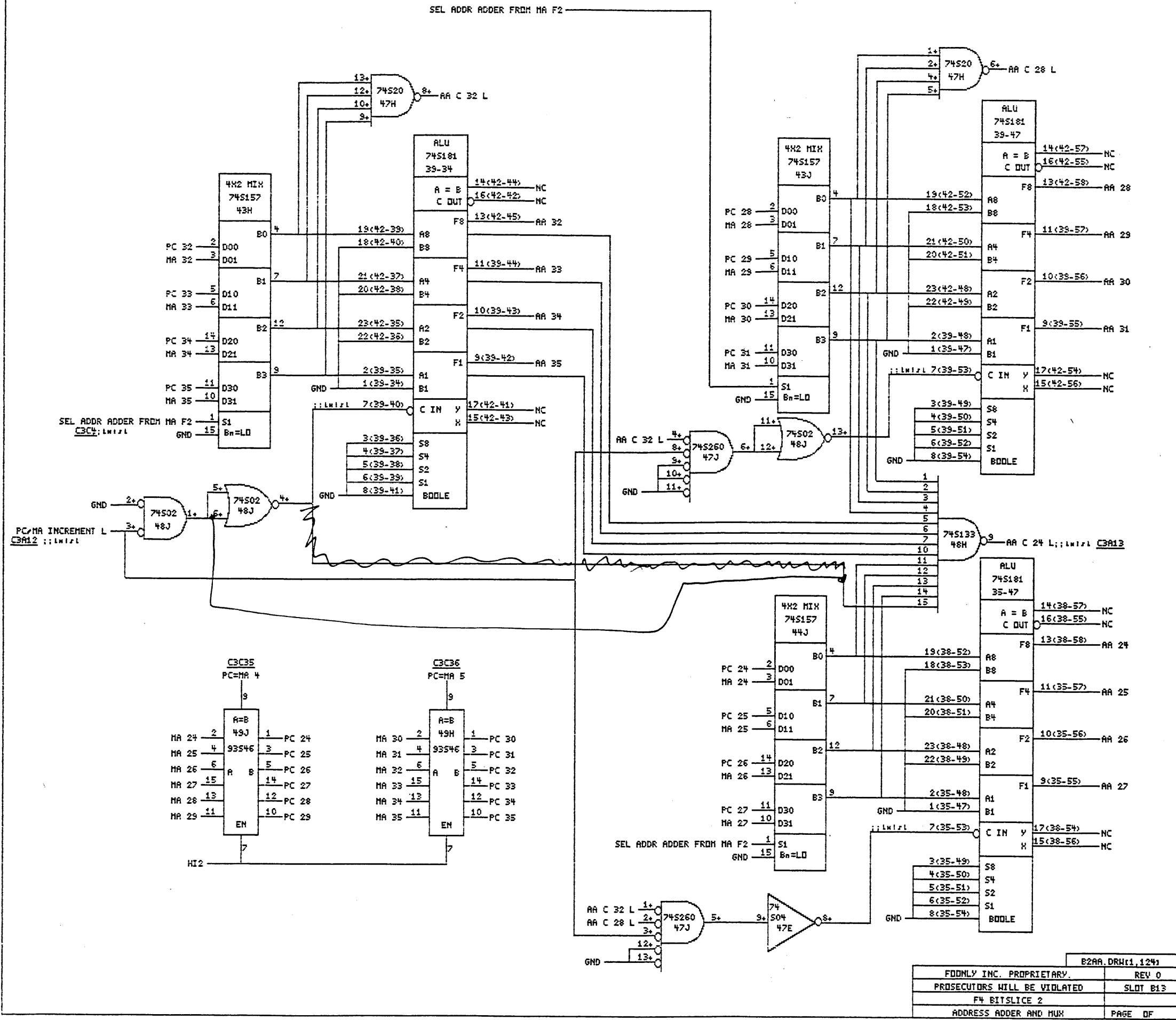


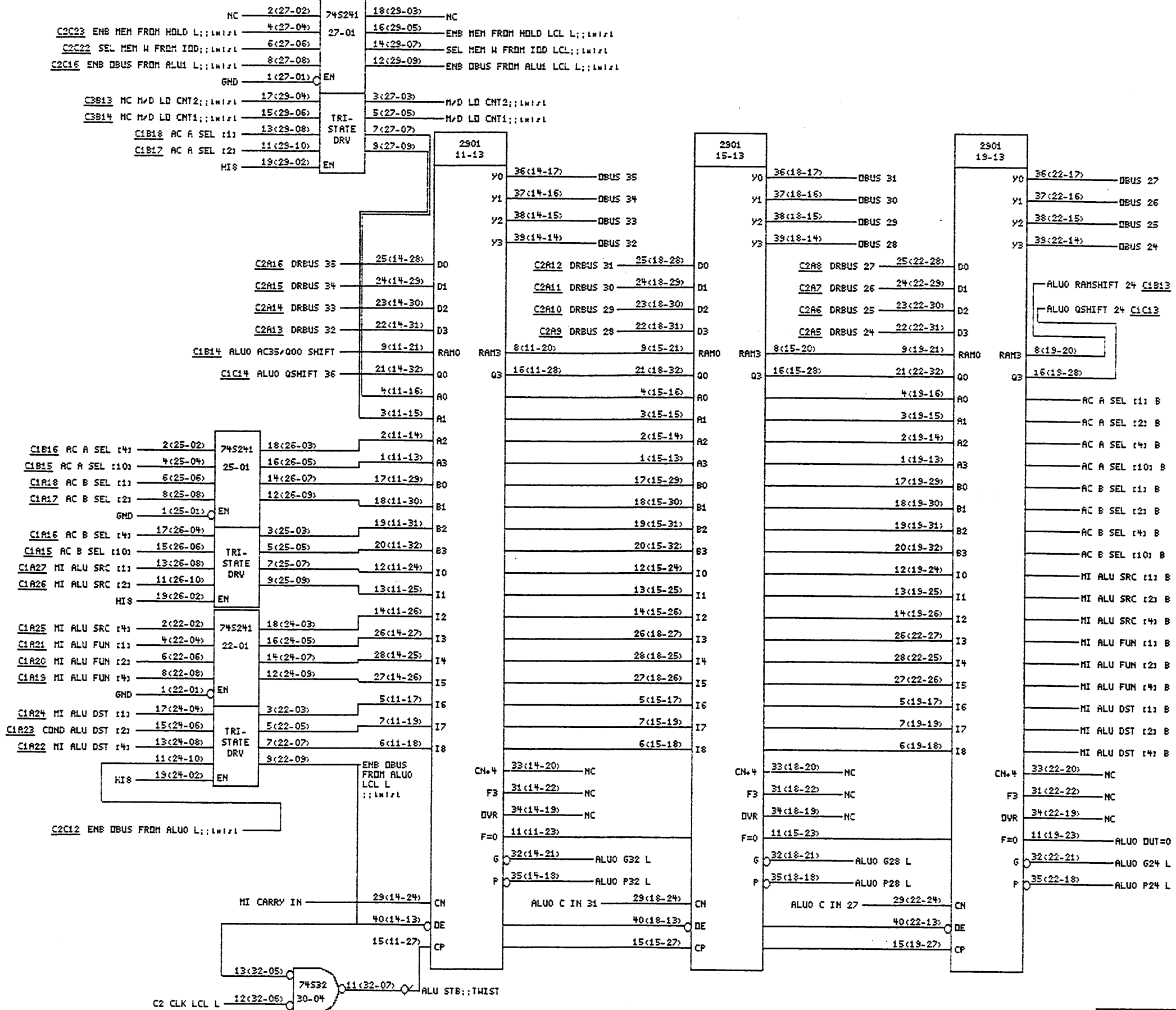


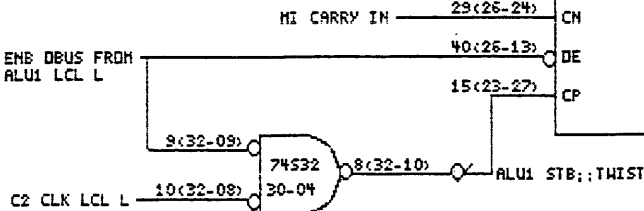
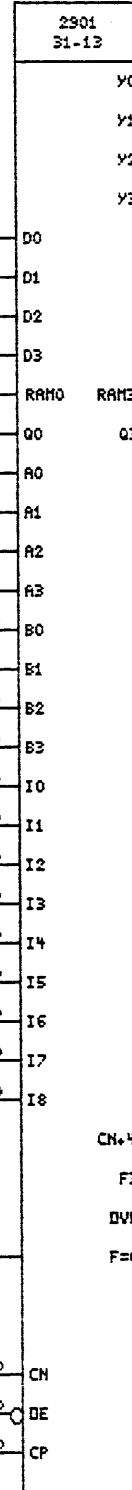
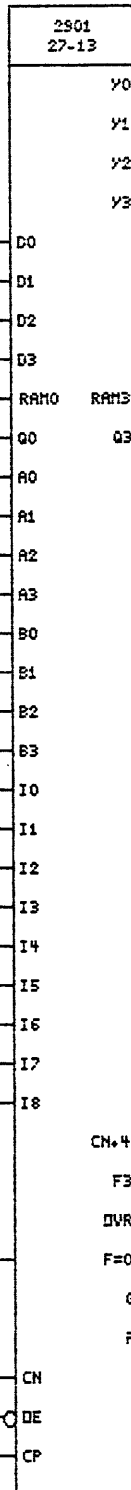
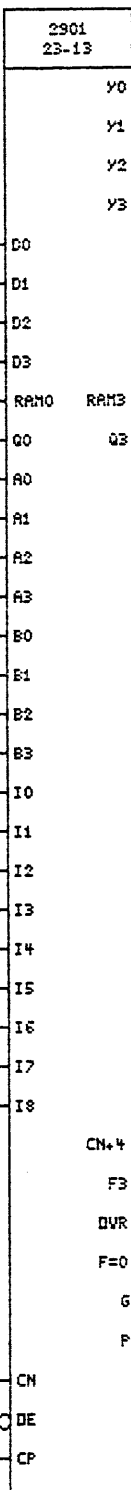
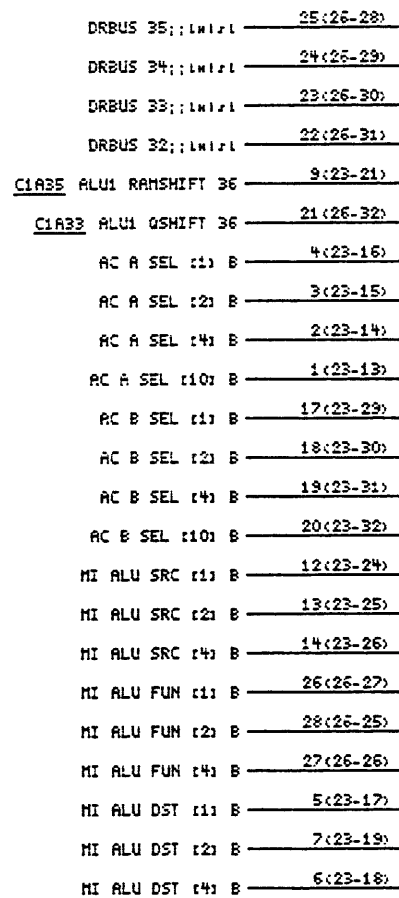
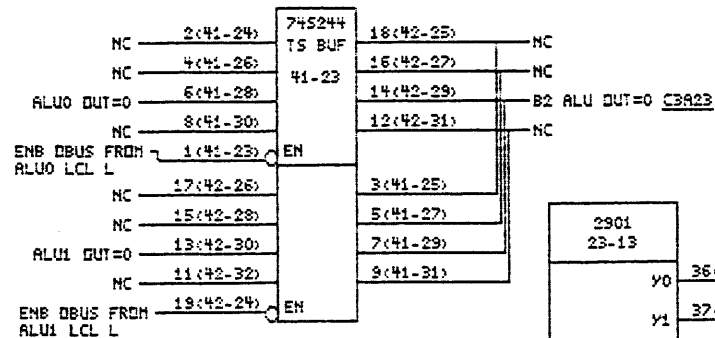


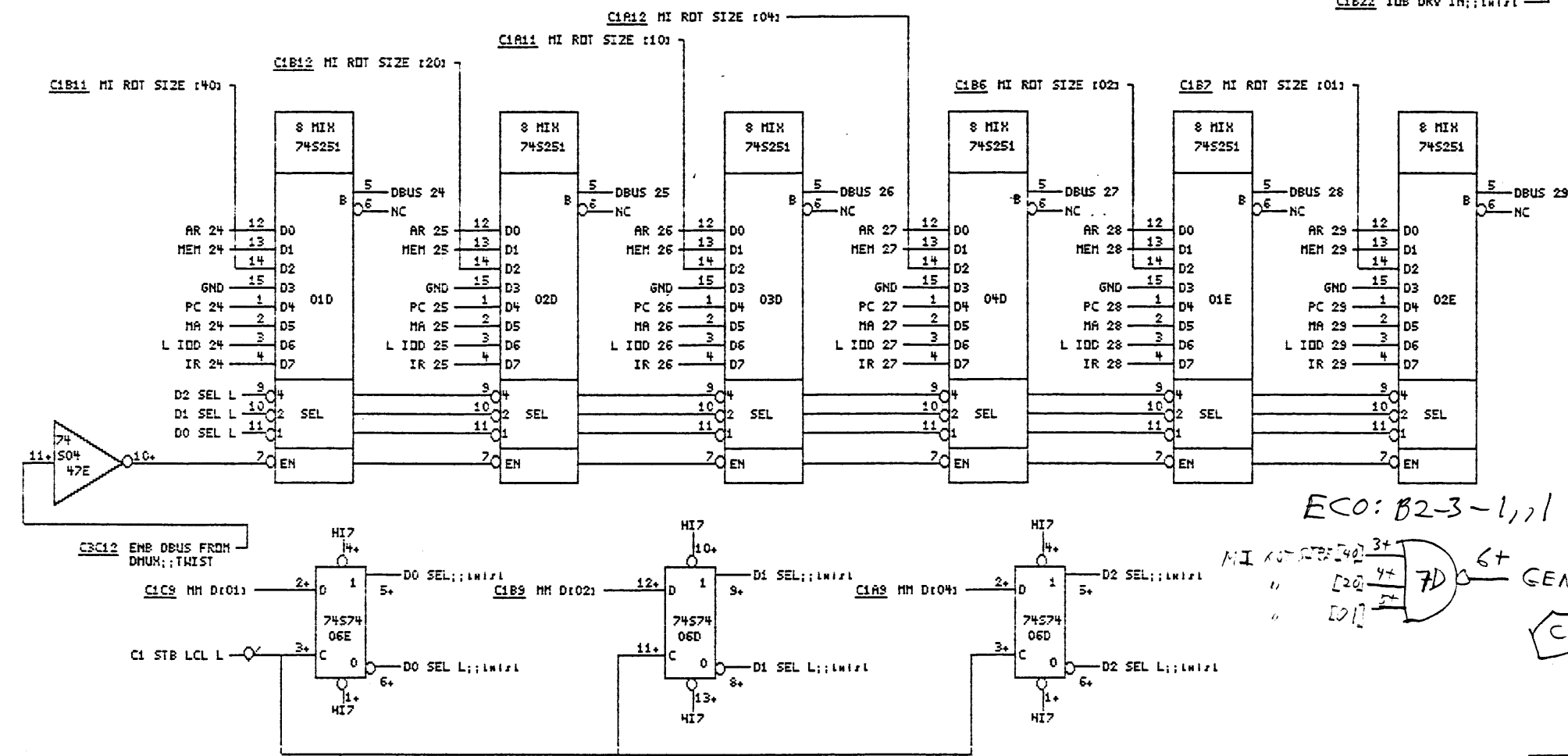
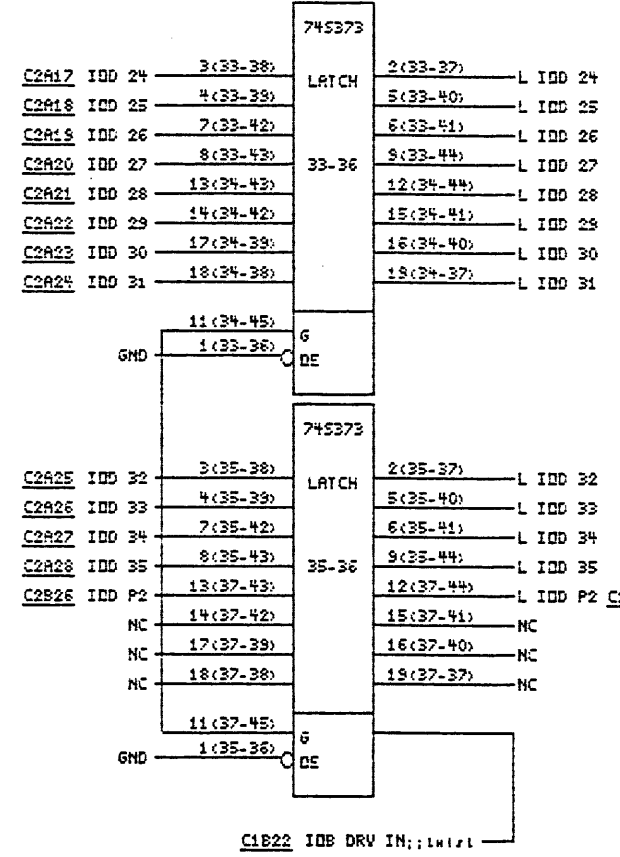
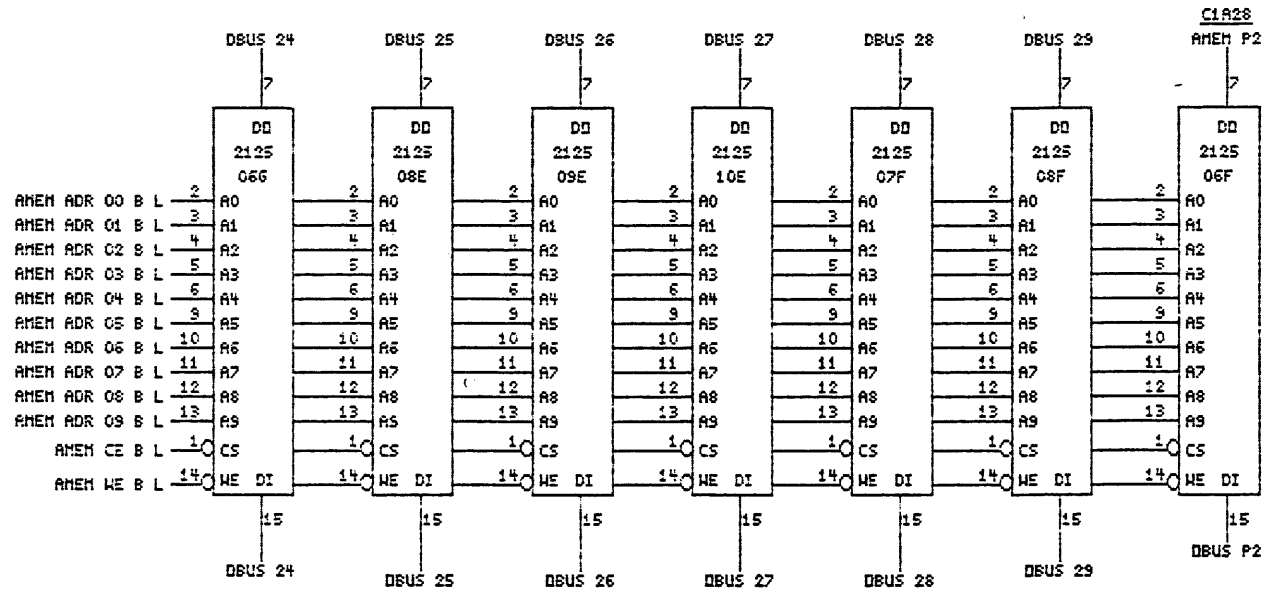
FORMING INC. PROPRIETARY	REV C
PROSECUTION WILL BE VIOLATED	SLOT B11
PH 8151515	
EAHUN, RA, PC, PC NUM	PAGE 07

B2-3
14 pages

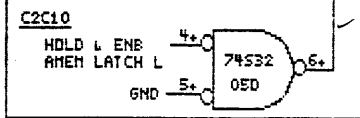
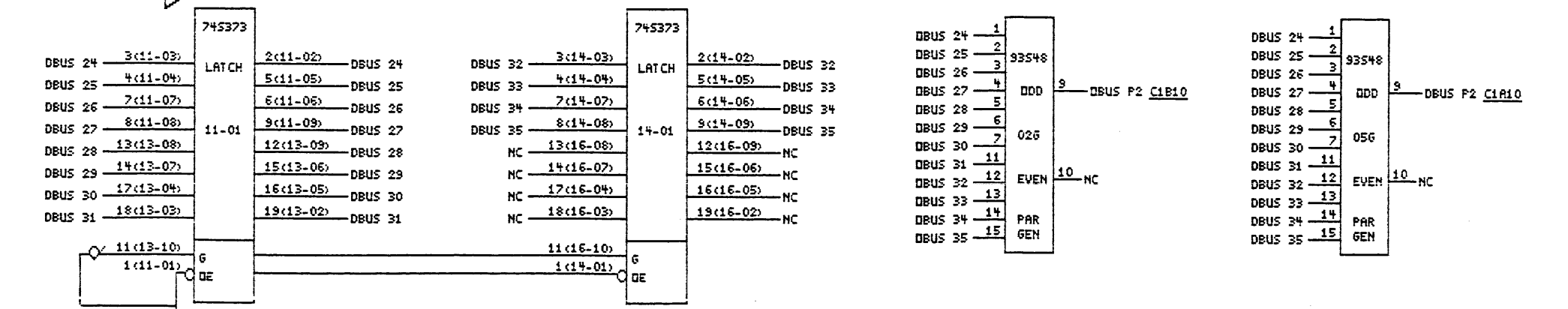
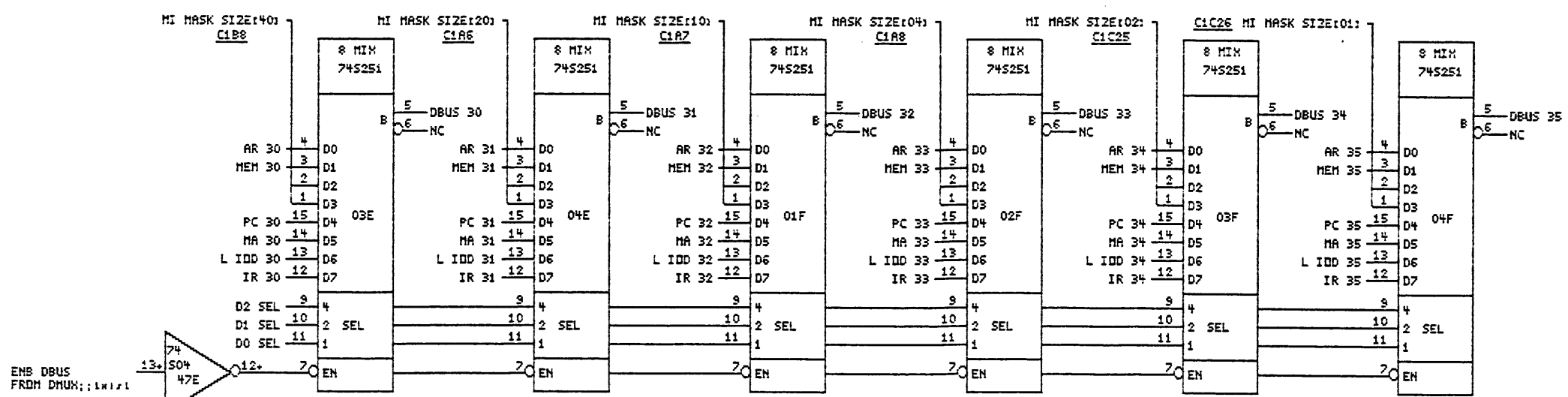
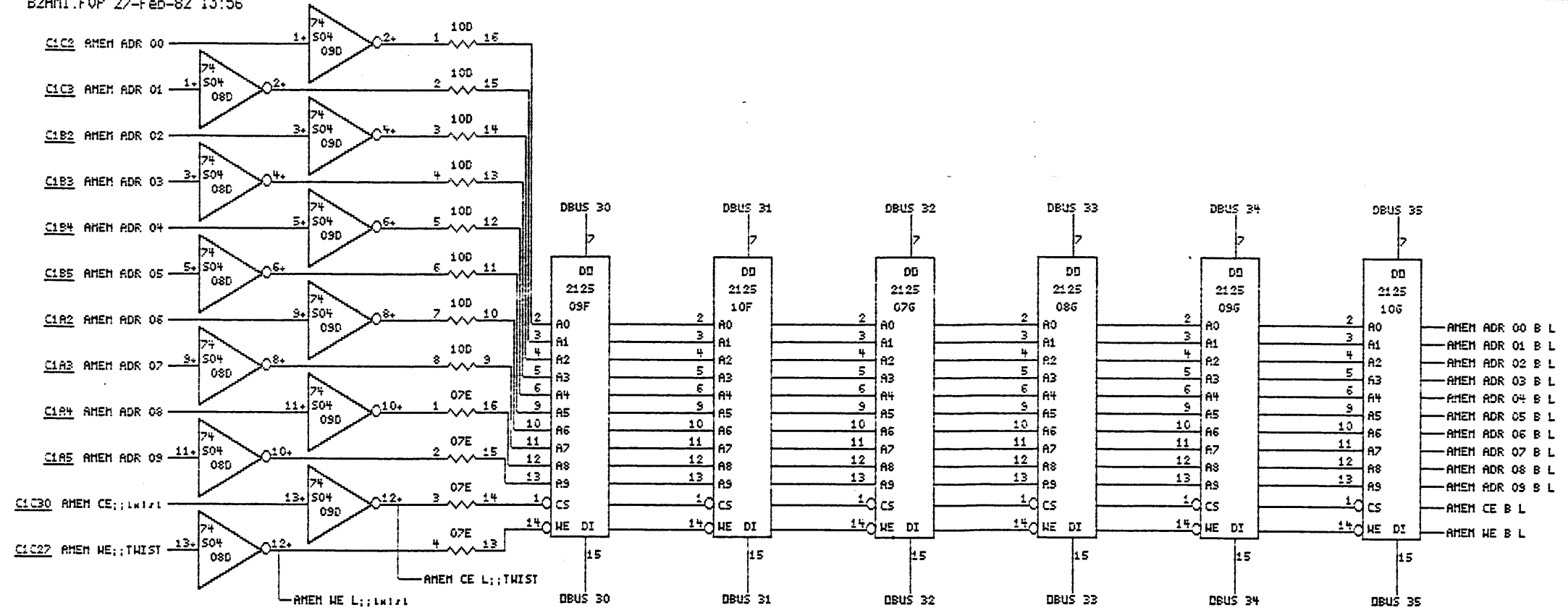


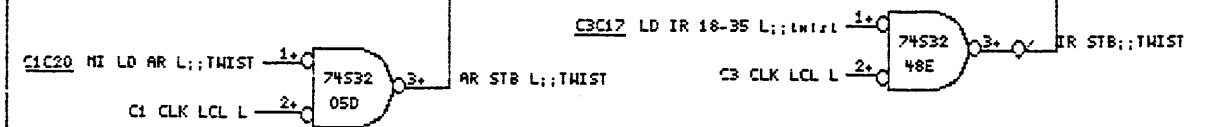
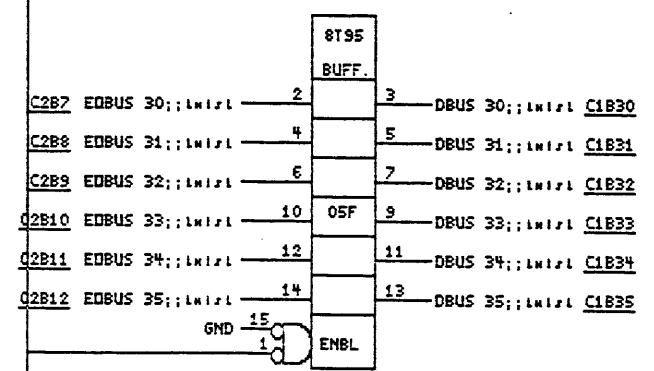
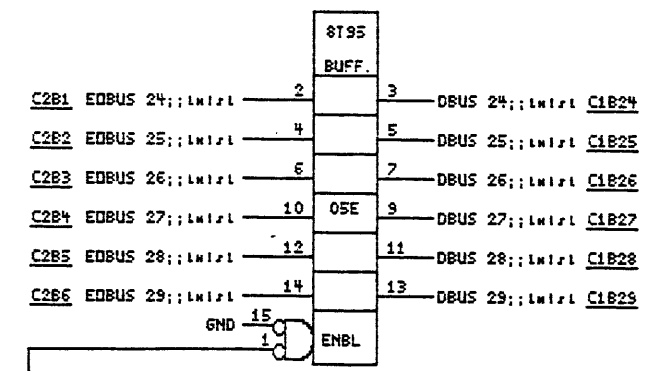
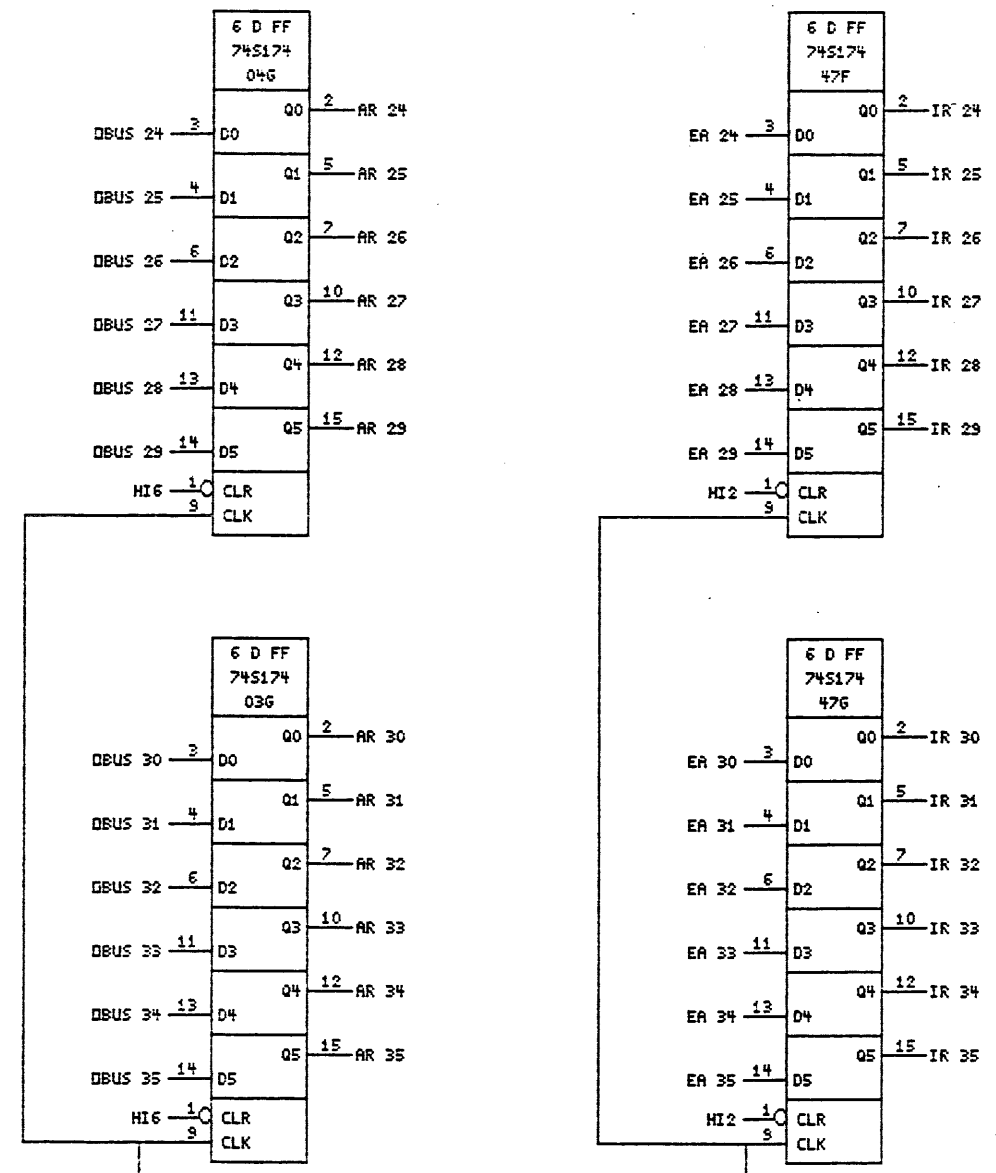
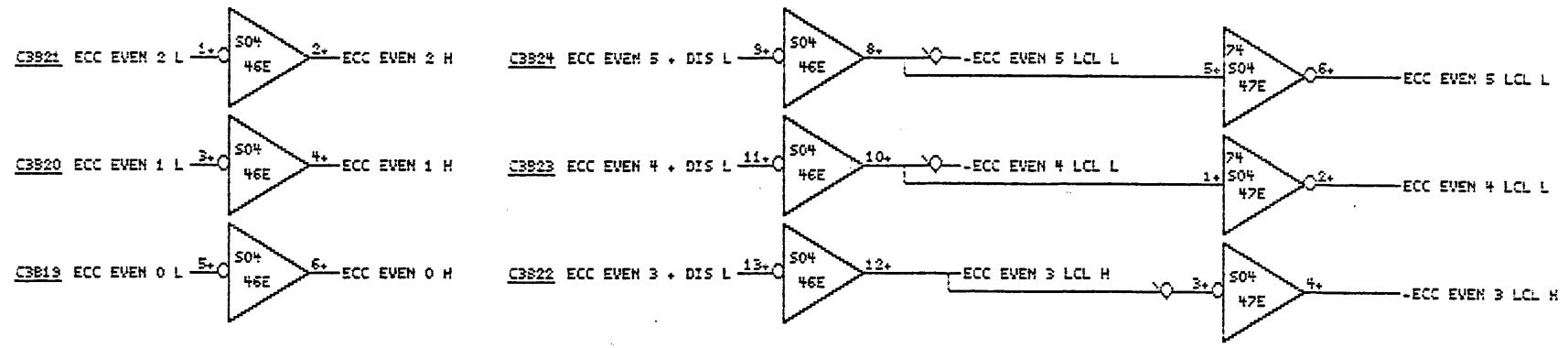




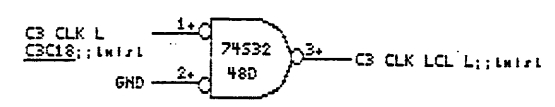
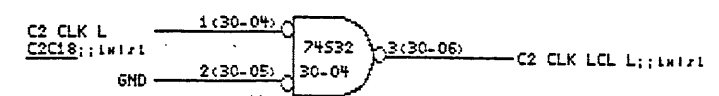
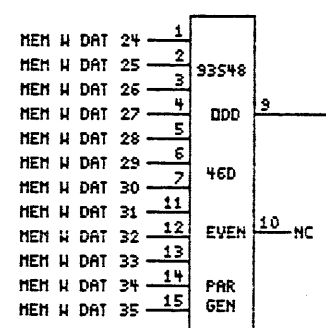
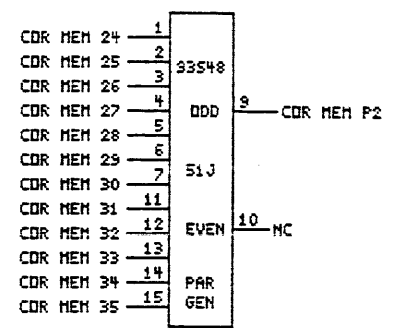
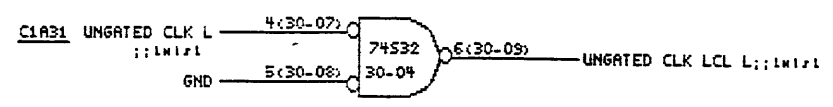
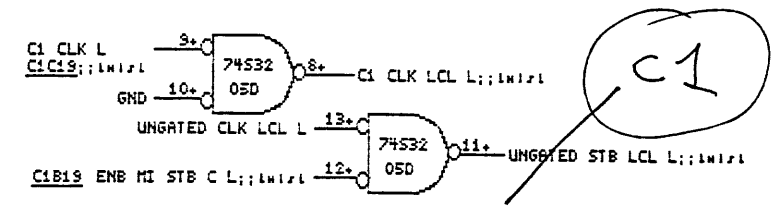
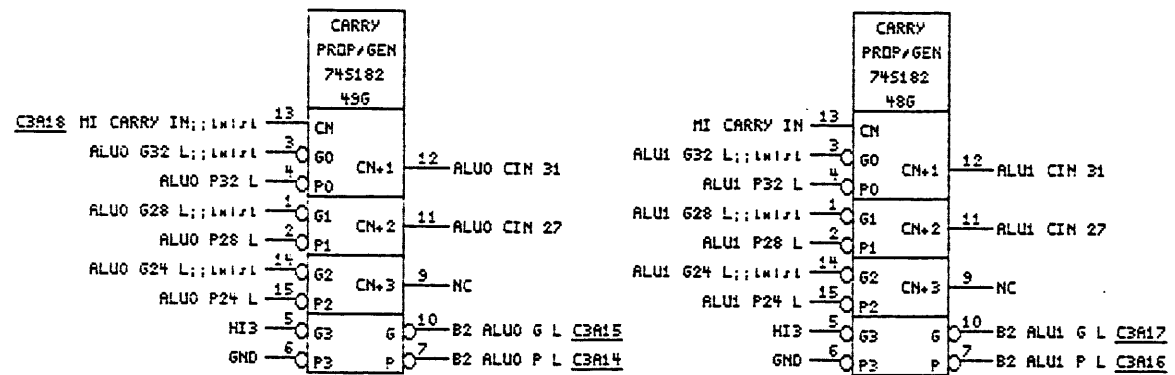
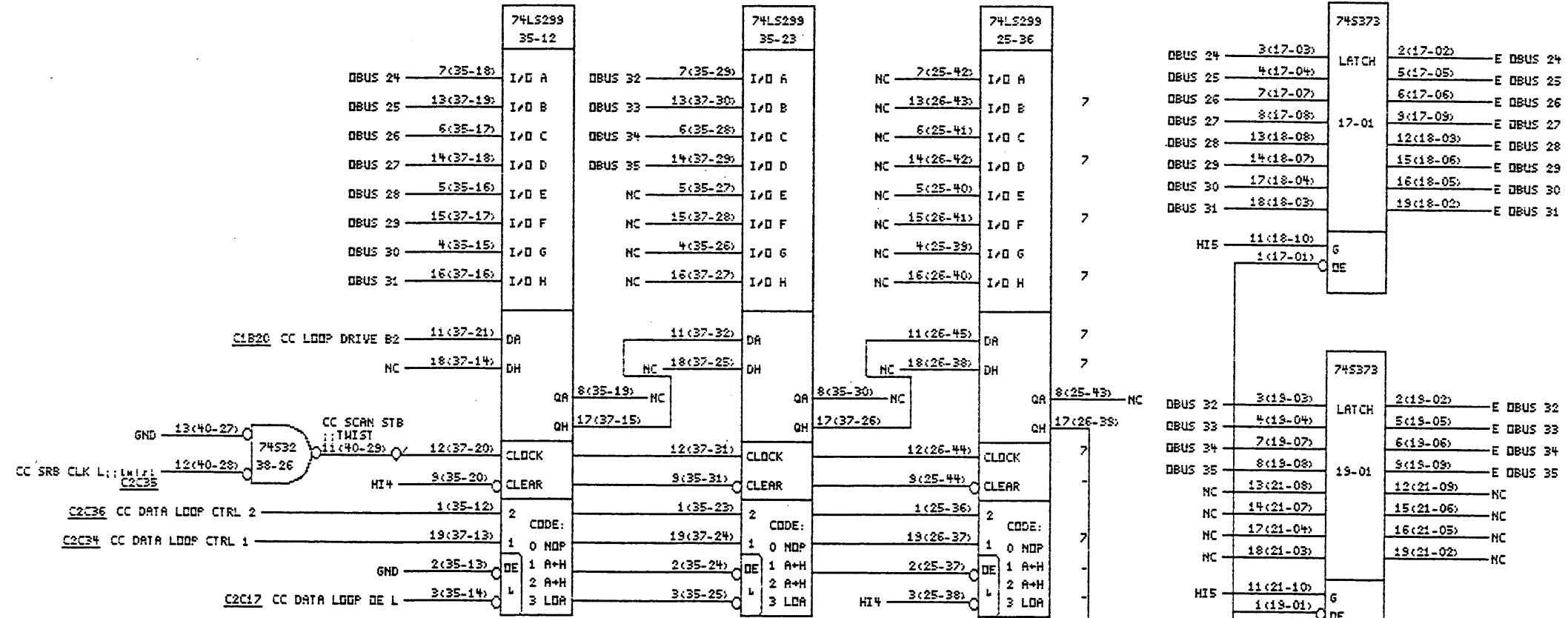


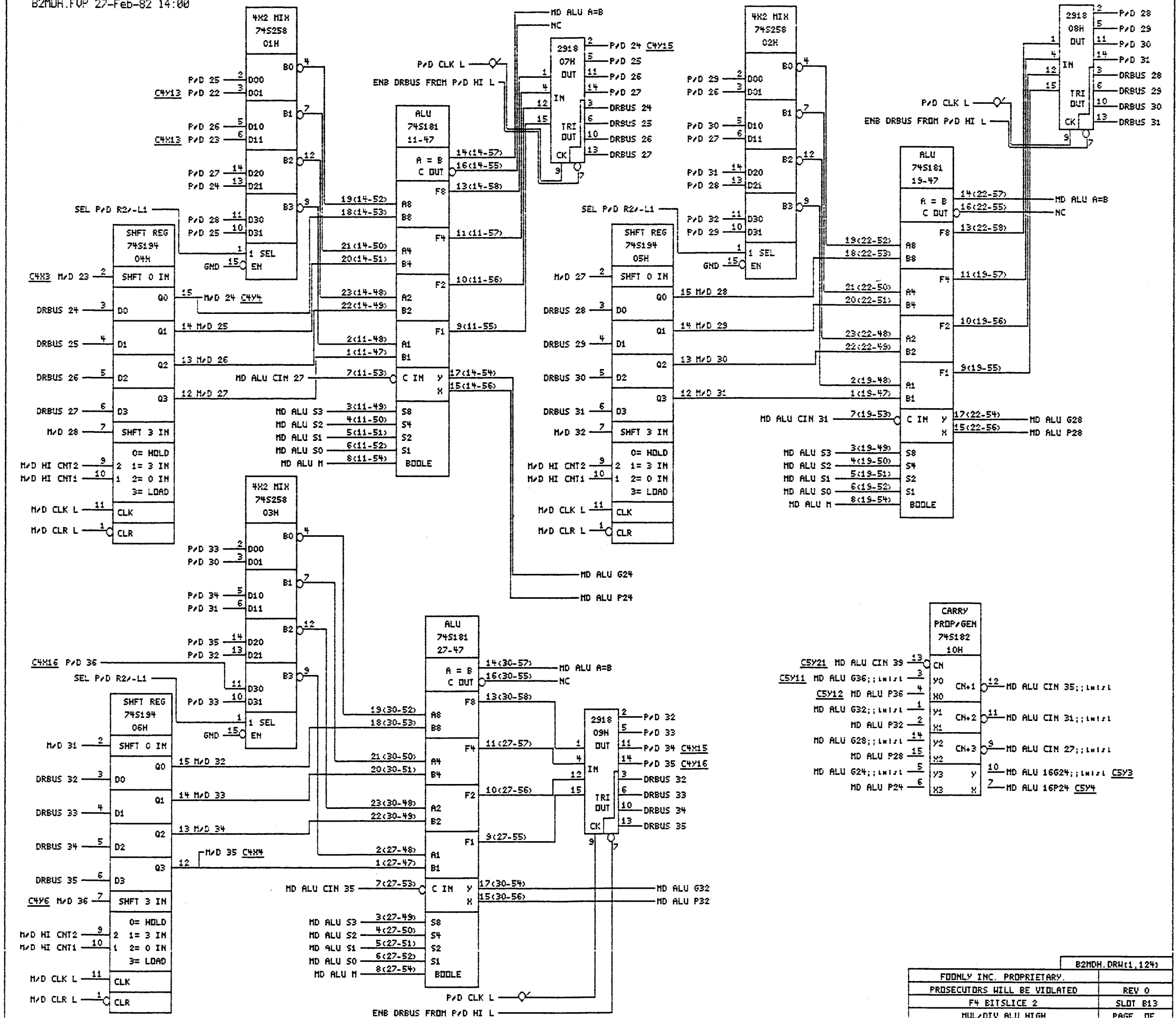
ECO: B2-3-1,1 (LEVEL B)
 MI 100 000 40 3+
 " 20 4+ 7D 6+ GEN 1,1 L
 " 10 5+
 C1B23

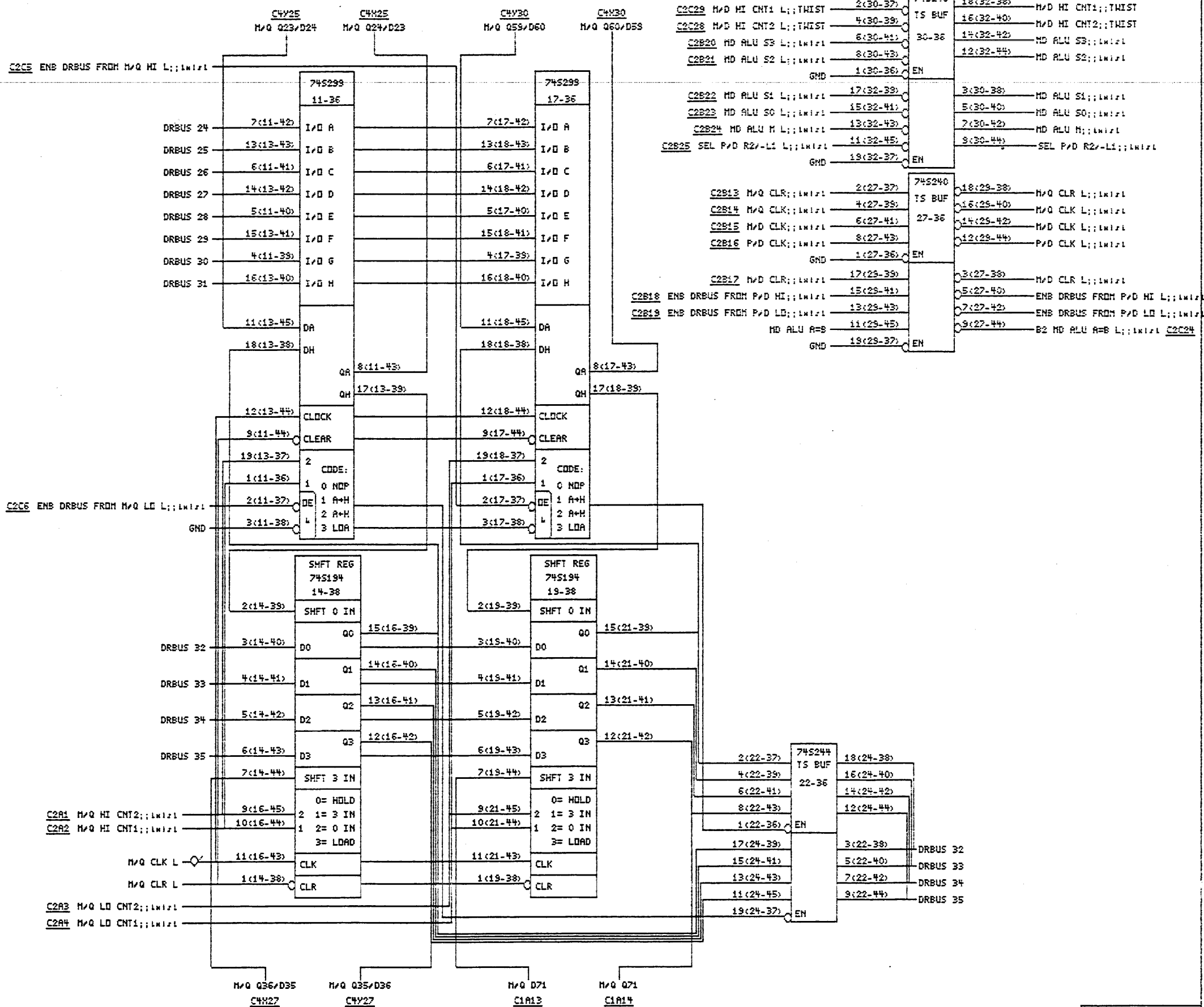




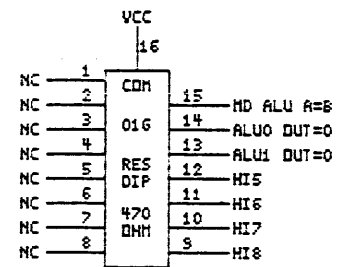
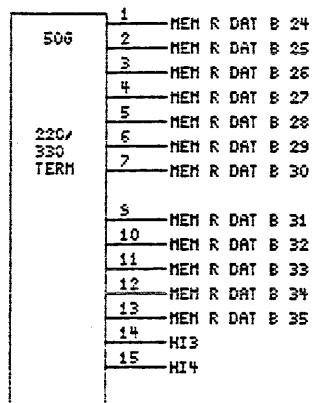
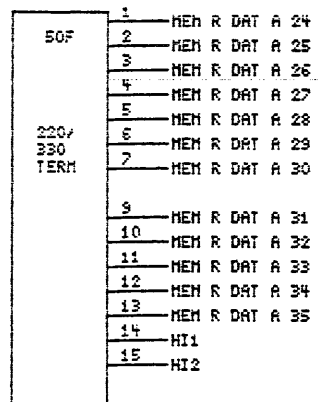
C1C21 ENB DBUS FROM EDBUS L; THIST

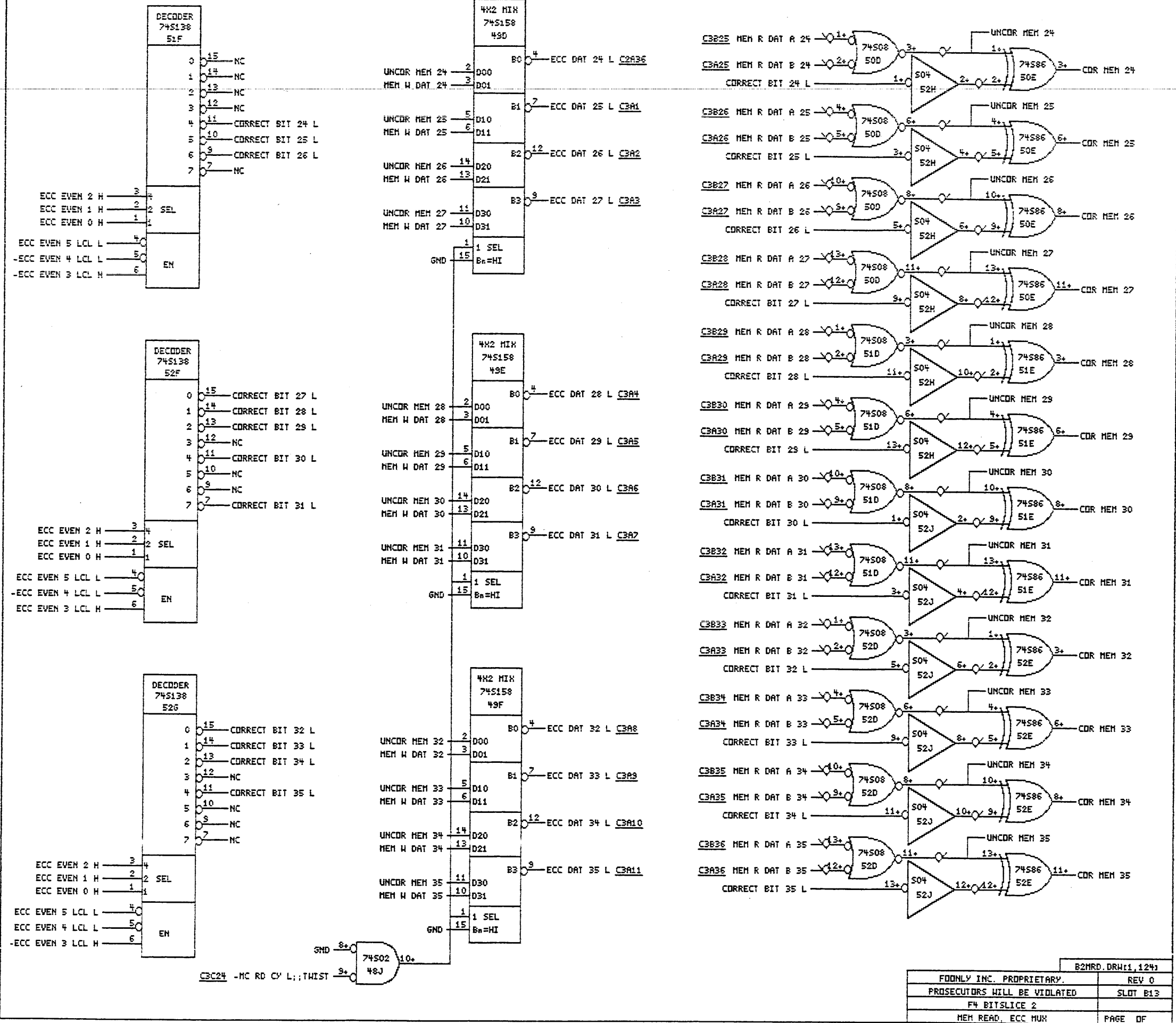


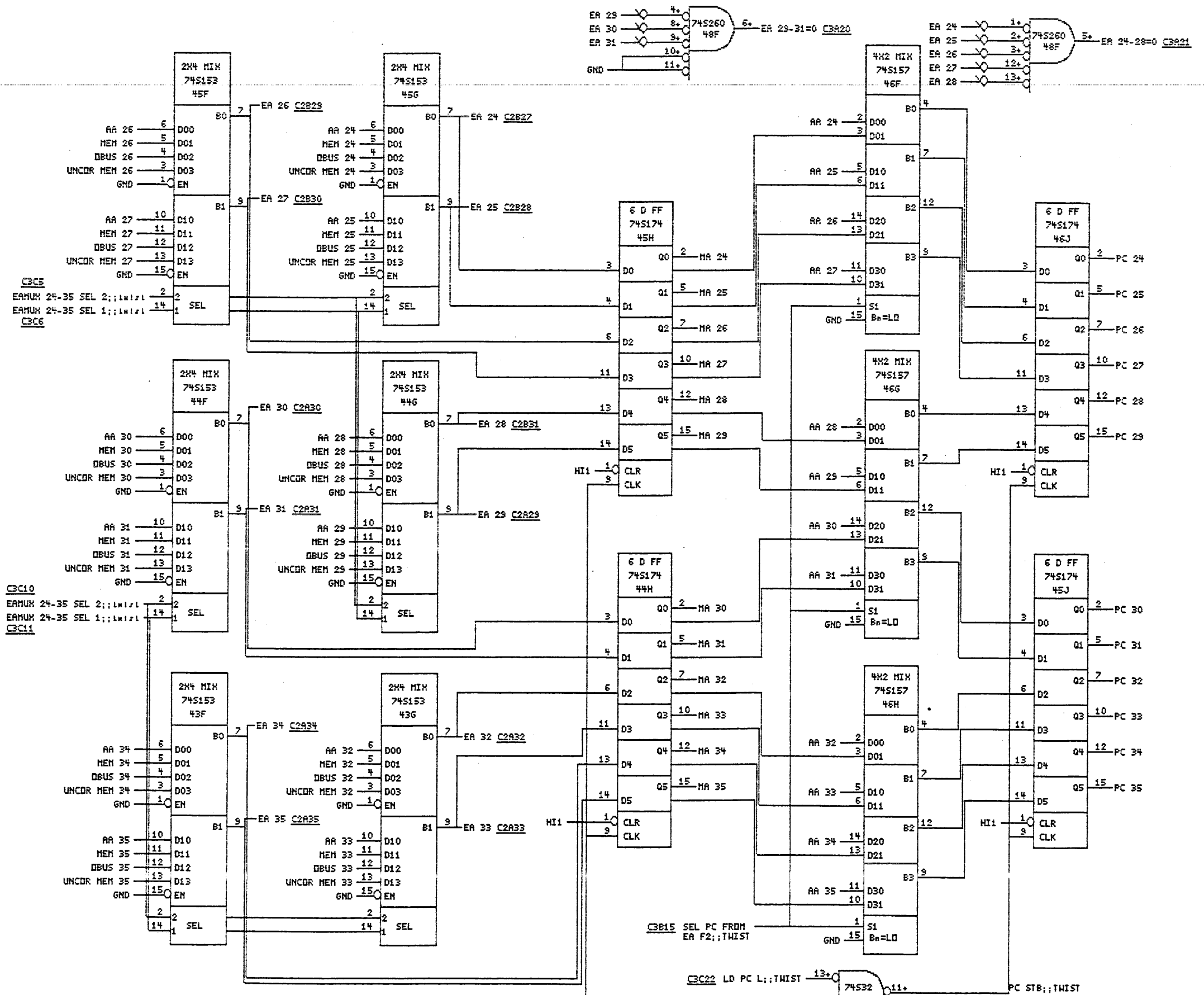


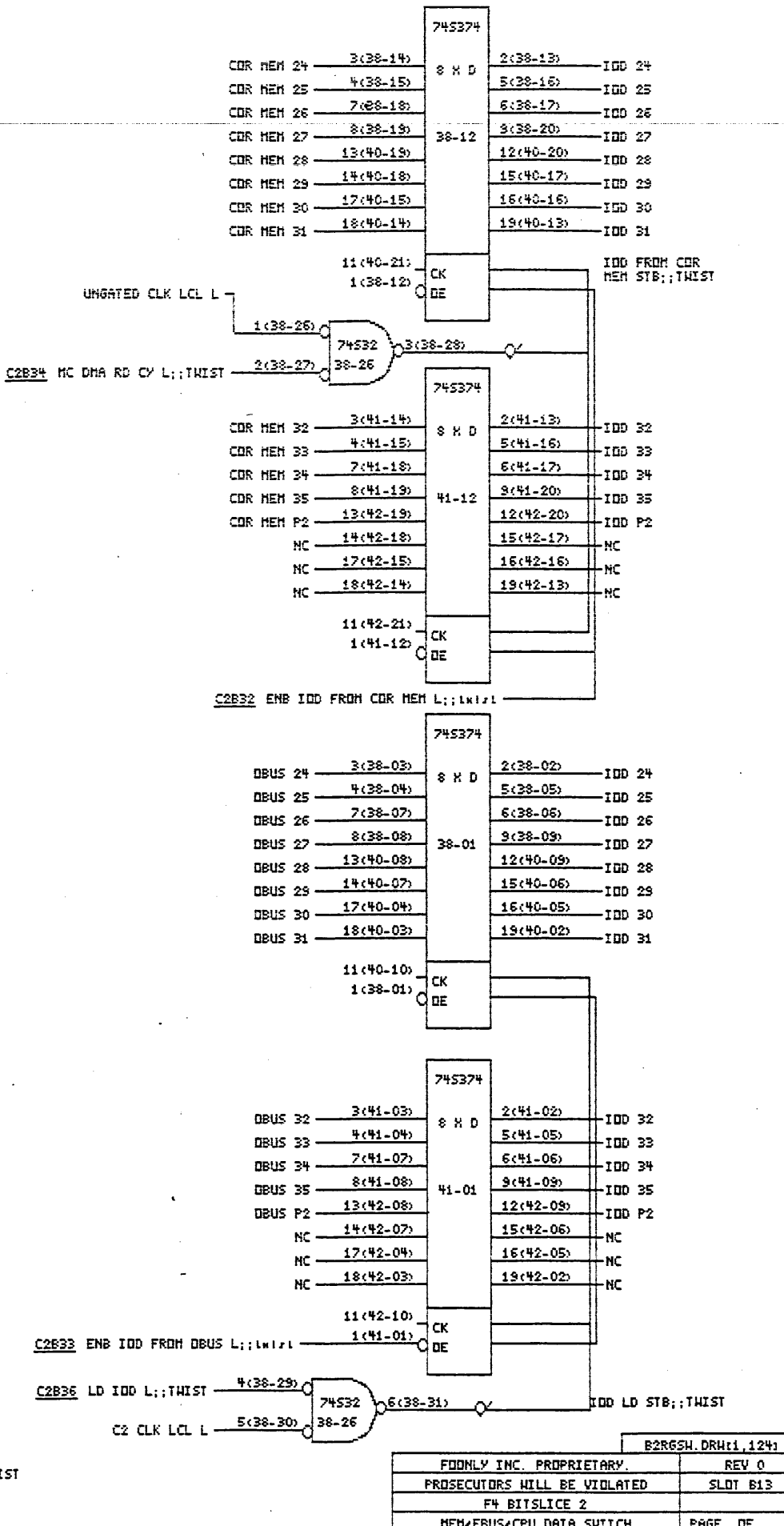
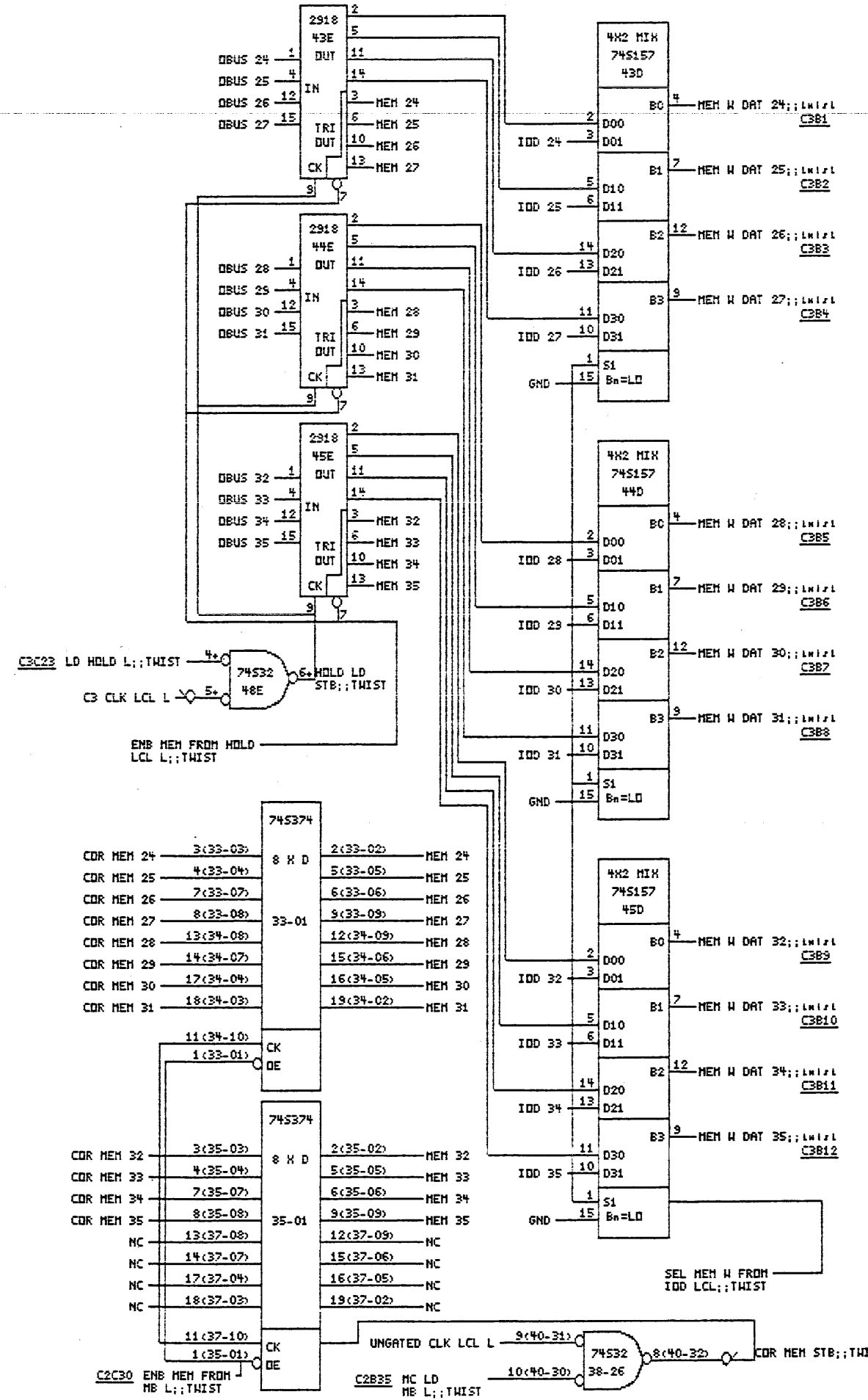


B2MDQ.DRW1,124









NC; ** - B09C1A1
 IDN 0; THIST - B09C1A2
 IDN 1; THIST - B09C1A3
 IDN 2; THIST - B09C1A4
 IDN 3; THIST - B09C1A5
 IDN 4; THIST - B09C1A6
 HI IDISP RG - B09C1A7
 -2ND HALF CY - B09C1A8
 B09C1A9
 B09C1A10
 NC DS RO - B09C1A11
 -HC WAITING - B09C1A12
 SM ENEC; THIST - B09C1A13
 SM USER; THIST - B09C1A14
 HC MH WRT CLK L - B09C1A15
 CC STATUS LOOP R SH IN - B09C1A16
 DEST:MAP-MA; THIST - B09C1A17
 DEST:MAP-TAG; THIST - B09C1A18
 CC STATUS LOOP R LD ENB - B09C1A19
 ENB DBUS FROM MASK L; THIST - B09C1A20
 D=32 DR 32 L; THIST - B09C1A21
 --MASK SIZE BEING USED
 AS PART OF CONSTANT
 MM MASK SIZE (01) - B09C1A22
 MM MASK SIZE (02) - B09C1A23
 MM MASK SIZE (03) - B09C1A24
 MM MASK SIZE (04) - B09C1A25
 MM MASK SIZE (10) - B09C1A26
 MM MASK SIZE (20) - B09C1A27
 MM MASK SIZE (40) - B09C1A28
 MM RGT SIZE (01) - B09C1A29
 MM RGT SIZE (02) - B09C1A30
 MM RGT SIZE (04) - B09C1A31
 MM RGT SIZE (10) - B09C1A32
 MM RGT SIZE (20) - B09C1A33
 MM RGT SIZE (40) - B09C1A34
 D BUS 35 - B09C1A35
 NC; ** - B09C1A36

NC; ** - B09C1B1
 D BUS 01 - B09C1B2
 D BUS 02 - B09C1B3
 D BUS 03 - B09C1B4
 D BUS 04 - B09C1B5
 D BUS 05 - B09C1B6
 D BUS 06 - B09C1B7
 D BUS 07 - B09C1B8
 D BUS 08 - B09C1B9
 D BUS 09 - B09C1B10
 D BUS 10 - B09C1B11
 D BUS 11 - B09C1B12
 D BUS 12 - B09C1B13
 D BUS 13 - B09C1B14
 D BUS 14 - B09C1B15
 D BUS 15 - B09C1B16
 D BUS 16 - B09C1B17
 D BUS 17 - B09C1B18
 D BUS 18 - B09C1B19
 D BUS 19 - B09C1B20
 D BUS 20 - B09C1B21
 D BUS 21 - B09C1B22
 D BUS 22 - B09C1B23
 D BUS 23 - B09C1B24
 D BUS 24 - B09C1B25
 D BUS 25 - B09C1B26
 D BUS 26 - B09C1B27
 D BUS 27 - B09C1B28
 D BUS 28 - B09C1B29
 D BUS 29 - B09C1B30
 D BUS 30 - B09C1B31
 D BUS 31 - B09C1B32
 D BUS 32 - B09C1B33
 D BUS 33 - B09C1B34
 D BUS 34 - B09C1B35
 NC; ** - B09C1B36

NC; ** - B09C1C1
 D BUS 00 - B09C1C2
 INT ADR 0 - B09C1C3
 NC; ** - B09C1C4
 NC; ** - B09C1C5
 NC; ** - B09C1C6
 NC; ** - B09C1C7
 NC; ** - B09C1C8
 INT ADR 1 - B09C1C9
 NC; ** - B09C1C10
 NC; ** - B09C1C11
 NC; ** - B09C1C12
 INT ADR 2 - B09C1C13
 INT ADR 3 - B09C1C14
 INT ADR 4 - B09C1C15
 NC; ** - B09C1C16
 NC; ** - B09C1C17
 NC; ** - B09C1C18
 NC; ** - B09C1C19
 CLK 10MHZ L; THIST - B09C1C20
 SH REFRESH RQ - B09C1C21
 NC; ** - B09C1C22
 NC; ** - B09C1C23
 NC; ** - B09C1C24
 ENB HI STB B L - B09C1C25
 CC SRB CLK L; THIST - B09C1C26
 B09C1C27
 NC; ** - B09C1C28
 NC; ** - B09C1C29
 MH MASKRGT PAR - B09C1C30
 NC; ** - B09C1C31
 NC; ** - B09C1C32
 NC; ** - B09C1C33
 NC; ** - B09C1C34
 NC; ** - B09C1C35
 NC; ** - B09C1C36

EDBUS 33 - B09C2A1
 EDBUS 34 - B09C2A2
 EDBUS 35 - B09C2A3
 END OF INST IDISP - B09C2A4
 DRBUS 18; THIST - B09C2A5
 DRBUS 19; THIST - B09C2A6
 DRBUS 20; THIST - B09C2A7
 DRBUS 21; THIST - B09C2A8
 DRBUS 22; THIST - B09C2A9
 DRBUS 23; THIST - B09C2A10
 DRBUS 24; THIST - B09C2A11
 DRBUS 25; THIST - B09C2A12
 DRBUS 26; THIST - B09C2A13
 DRBUS 27; THIST - B09C2A14
 DRBUS 28; THIST - B09C2A15
 DRBUS 29; THIST - B09C2A16
 DRBUS 30; THIST - B09C2A17
 DRBUS 31; THIST - B09C2A18
 DRBUS 32; THIST - B09C2A19
 DRBUS 33; THIST - B09C2A20
 DRBUS 34; THIST - B09C2A21
 DRBUS 35; THIST - B09C2A22
 MEM R DAT ECC 0 - B09C2A23
 MEM R DAT ECC 1 - B09C2A24
 MEM R DAT ECC 2 - B09C2A25
 MEM R DAT ECC 3 - B09C2A26
 MEM R DAT ECC 4 - B09C2A27
 MEM R DAT ECC 5 - B09C2A28
 MEM R DAT WORD PAR - B09C2A29
 EDBUS 00 - B09C2A30
 EDBUS 01 - B09C2A31
 EDBUS 02 - B09C2A32
 EDBUS 03 - B09C2A33
 EDBUS 04 - B09C2A34
 EDBUS 05 - B09C2A35
 EDBUS 06 - B09C2A36

EDBUS 30 - B09C2
 EDBUS 31 - B09C2
 EDBUS 32 - B09C2
 CC DATA LOOP CTRL 1 - B09C2
 DRBUS 00; THIST - B09C2
 DRBUS 01; THIST - B09C2
 DRBUS 02; THIST - B09C2
 DRBUS 03; THIST - B09C2
 DRBUS 04; THIST - B09C2
 DRBUS 05; THIST - B09C2
 DRBUS 06; THIST - B09C2
 DRBUS 07; THIST - B09C2
 DRBUS 08; THIST - B09C2
 DRBUS 09; THIST - B09C2
 DRBUS 10; THIST - B09C2
 DRBUS 11; THIST - B09C2
 DRBUS 12; THIST - B09C2
 DRBUS 13; THIST - B09C2
 DRBUS 14; THIST - B09C2
 DRBUS 15; THIST - B09C2
 DRBUS 16; THIST - B09C2
 DRBUS 17; THIST - B09C2
 MEM H DAT ECC 0 H - B09C2
 MEM H DAT ECC 1 H - B09C2
 MEM H DAT ECC 2 H - B09C2
 MEM H DAT ECC 3 H - B09C2
 MEM H DAT ECC 4 H - B09C2
 MEM H DAT ECC 5 H - B09C2
 MEM H DAT WORD PAR H - B09C2
 EDBUS 08 - B09C2
 EDBUS 09 - B09C2
 EDBUS 10 - B09C2
 EDBUS 11 - B09C2
 EDBUS 12 - B09C2
 EDBUS 13 - B09C2
 EDBUS 14 - B09C2
 EDBUS 15 - B09C2
 EDBUS 16 - B09C2
 EDBUS 17 - B09C2
 EDBUS 18 - B09C2
 EDBUS 19 - B09C2

SM-2
20 pages

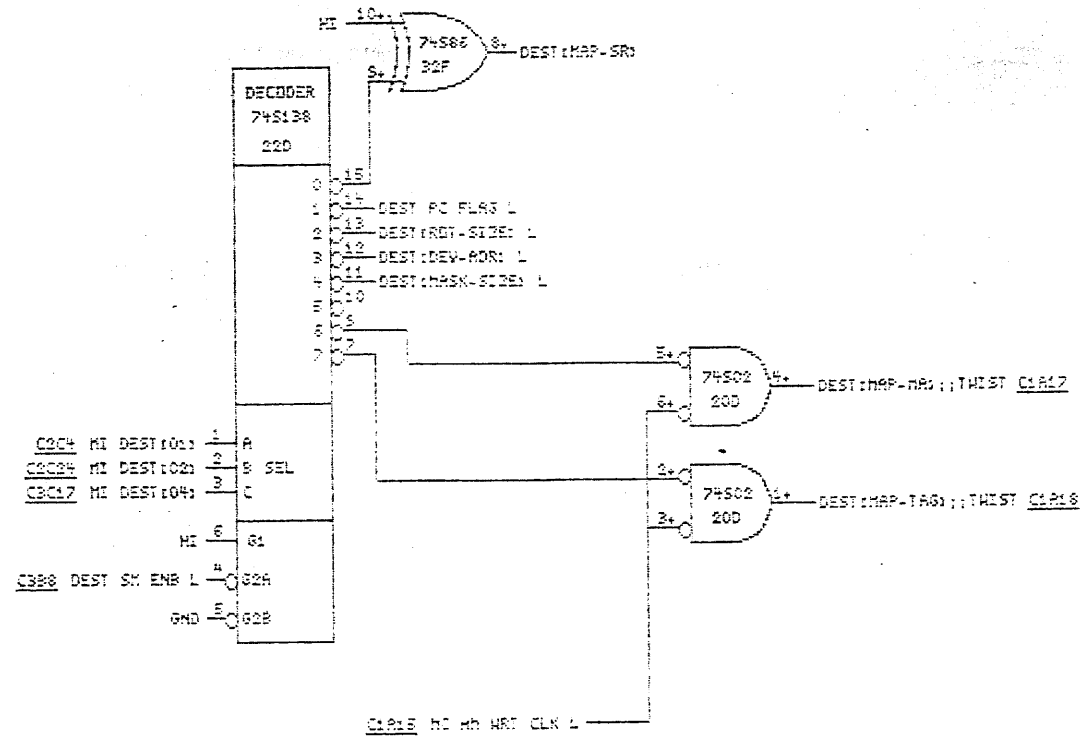
CC STATUS LOOP R HC IN - B09C3A1
 ALU CRYO - B09C3A2
 B09C3A3
 B09C3A4
 B0 ALU P L - B09C3A5
 B0 ALU G L - B09C3A6
 B0 ALUC P L - B09C3A7
 B0 ALUC G L - B09C3A8
 B2 ALUC G L; THIST - B09C3A9
 B1 ALUC G L; THIST - B09C3A10
 B1 ALUC P L; THIST - B09C3A11
 B1 ALUC G L; THIST - B09C3A12
 B2 ALU P L; THIST - B09C3A13
 B2 ALU G L; THIST - B09C3A14
 B1 ALU P L; THIST - B09C3A15
 B1 ALU G L; THIST - B09C3A16
 HI CARRY IN; THIST - B09C3A17
 ALUC CIN 23; THIST - B09C3A18
 ALUC CIN 11; THIST - B09C3A19
 ALUC CIN 23; THIST - B09C3A20
 ALUC CIN 11; THIST - B09C3A21
 ECC DAT 00 L - B09C3A22
 ECC DAT 01 L - B09C3A23
 ECC DAT 02 L - B09C3A24
 ECC DAT 03 L - B09C3A25
 ECC DAT 04 L - B09C3A26
 ECC DAT 05 L - B09C3A27
 ECC DAT 06 L - B09C3A28
 ECC DAT 07 L - B09C3A29
 ECC DAT 08 L - B09C3A30
 ECC DAT 09 L - B09C3A31
 ECC DAT 10 L - B09C3A32
 ECC DAT 11 L - B09C3A33
 ECC DAT 12 L - B09C3A34
 ECC DAT 13 L - B09C3A35
 ECC DAT 14 L - B09C3A36

ENB DBUS FROM ALU0 L - B09C3B1
 ENB DBUS FROM ALU1 L - B09C3B2
 ALU DV - B09C3B3
 ALU CRY 1 - B09C3B4
 ECC EVEN 3 L - B09C3B5
 ECC EVEN 4 L - B09C3B6
 ECC EVEN 5 L - B09C3B7
 DEST SH ENB L - B09C3B8
 HI SPC:01 - B09C3B9
 HI SPC:02 - B09C3B10
 HI SPC:04 - B09C3B11
 SPC SH ENB L - B09C3B12
 -CPU ECC CORRECTION ENABLE L; THIST - B09C3B13
 SH ECC ERRDR - B09C3B14
 SH HARD ECC ERR - B09C3B15
 ECC DAT 15 L - B09C3B16
 ECC DAT 16 L - B09C3B17
 ECC DAT 17 L - B09C3B18
 ECC DAT 18 L - B09C3B19
 ECC DAT 19 L - B09C3B20
 ECC DAT 20 L - B09C3B21
 ECC DAT 21 L - B09C3B22
 ECC DAT 22 L - B09C3B23
 ECC DAT 23 L - B09C3B24
 ECC DAT 24 L - B09C3B25
 ECC DAT 25 L - B09C3B26
 ECC DAT 26 L - B09C3B27
 ECC DAT 27 L - B09C3B28
 ECC DAT 28 L - B09C3B29
 ECC DAT 29 L - B09C3B30
 ECC DAT 30 L - B09C3B31
 ECC DAT 31 L - B09C3B32
 ECC DAT 32 L - B09C3B33
 ECC DAT 33 L - B09C3B34
 ECC DAT 34 L - B09C3B35
 ECC DAT 35 L - B09C3B36

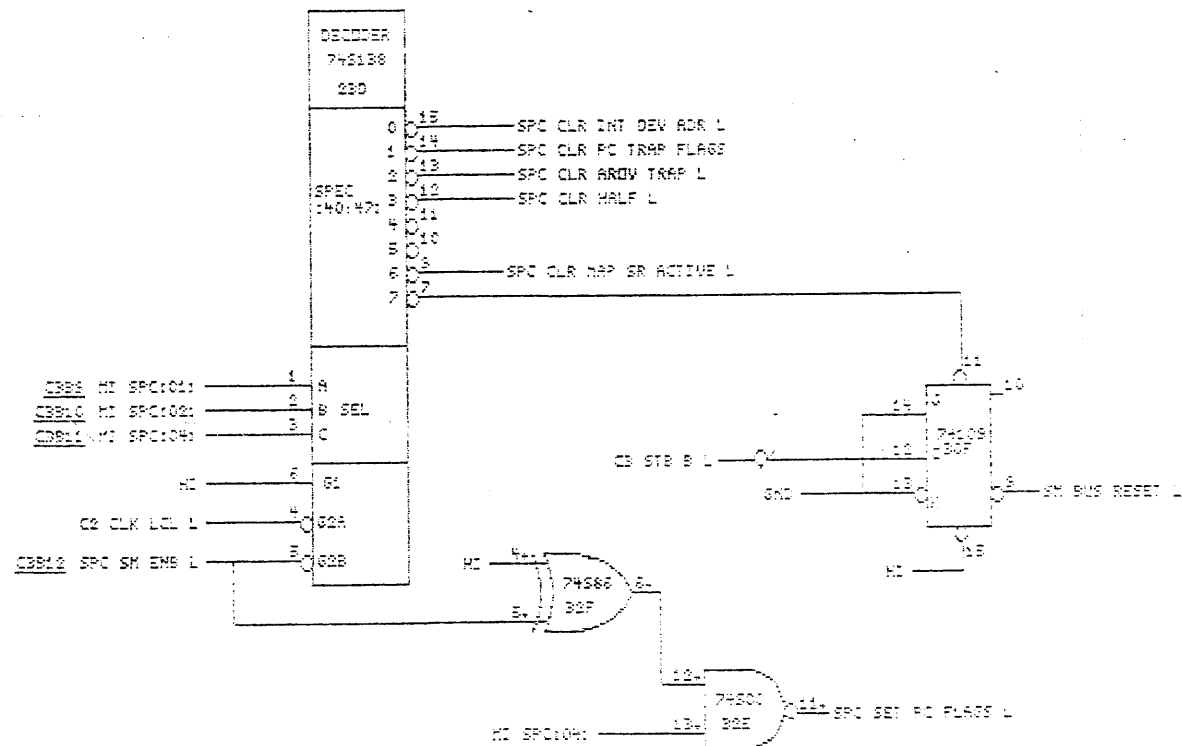
NC; ** - B09C3C1
 NC; ** - B09C3C2
 NC; ** - B09C3C3
 INTERRUPT - B09C3C4
 BUS INT STS; THIST - B09C3C5
 BUS ANY INT L; THIST - B09C3C6
 NC; ** - B09C3C7
 NC; ** - B09C3C8
 NC; ** - B09C3C9
 STATUS LOOP R HC OUT - B09C3C10
 B09C3C11
 RESET L; THIST - B09C3C12
 NC; ** - B09C3C13
 NC; ** - B09C3C14
 NC; ** - B09C3C15
 HI DEST:04 - B09C3C17
 CB CLK L; THIST - B09C3C18
 NC; ** - B09C3C19
 NC; ** - B09C3C20
 NC; ** - B09C3C21
 B09C3C22
 B09C3C23
 -HC SEL ECC DAT FROM H DAT - B09C3C24
 NC; ** - B09C3C25
 NC; ** - B09C3C26
 NC; ** - B09C3C27
 ECC EVEN 0 L - B09C3C28
 ECC EVEN 1 L - B09C3C29
 ECC EVEN 2 L - B09C3C30
 NC; ** - B09C3C31
 NC; ** - B09C3C32
 NC; ** - B09C3C33
 ECC EVEN 3 + DIS L - B09C3C34
 ECC EVEN 4 + DIS L - B09C3C35
 ECC EVEN 5 + DIS L - B09C3C36

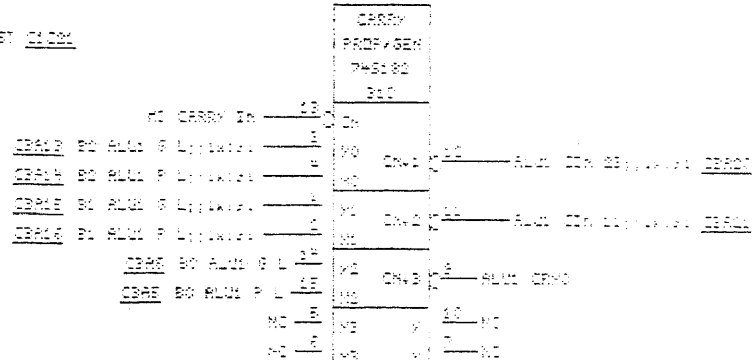
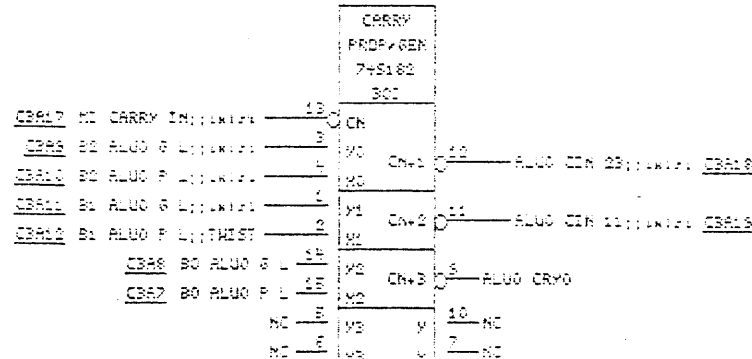
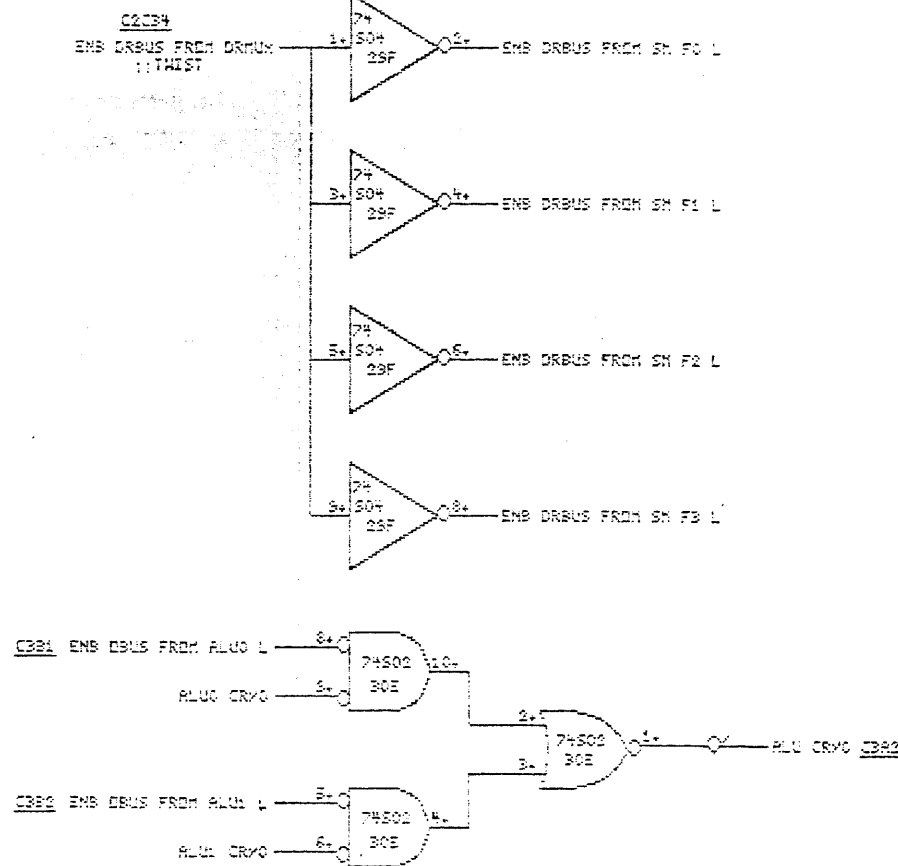
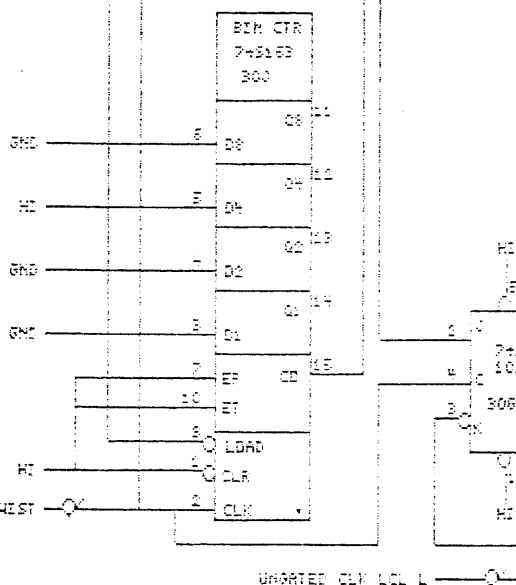
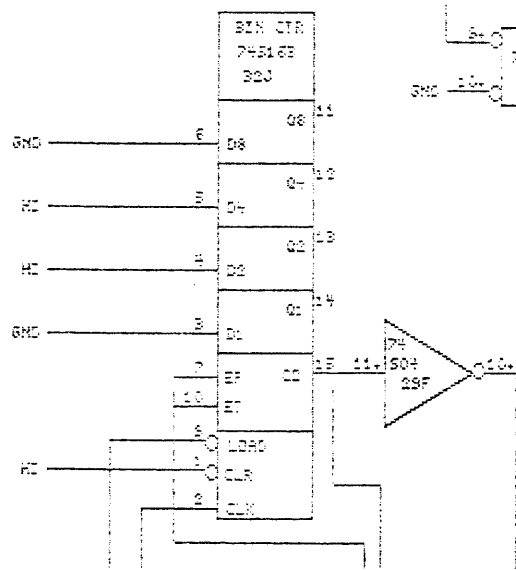
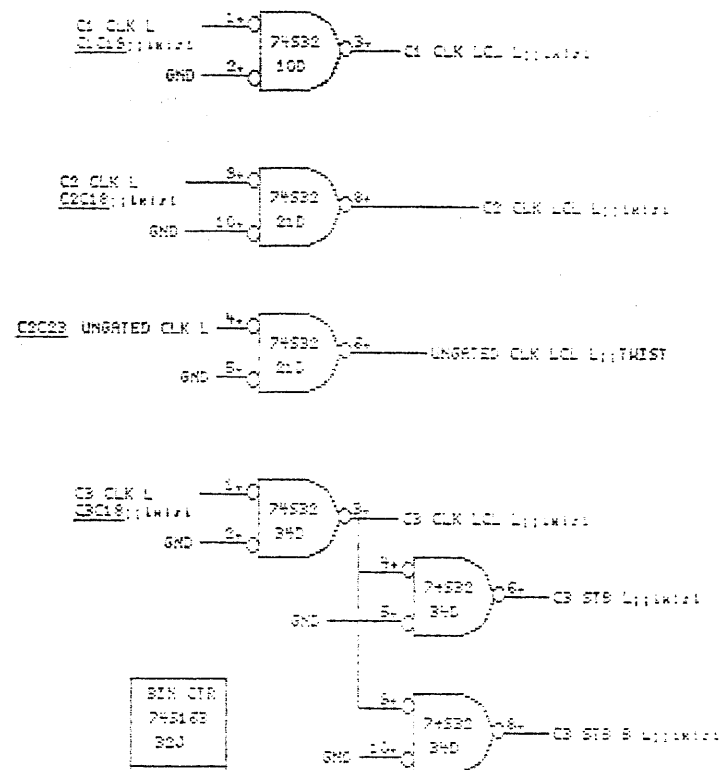
NC; ** - B09C2C1
 NC; ** - B09C2C2
 NC; ** - B09C2C3
 HI DEST:01 - B09C2C4
 PC FLAG ARD TRAP L; THIST - B09C2C5
 PC FLAG HALF - B09C2C6
 B09C2C7
 NC; ** - B09C2C8
 NC; ** - B09C2C9
 PC FLAG TRAP L - B09C2C10
 CC SRB DAT1 - B09C2C11
 DATA LOOP B2 OUT - B09C2C12
 NC; ** - B09C2C13
 NC; ** - B09C2C14
 NC; ** - B09C2C15
 D:PC FLAG1 L - B09C2C16
 BUS RESET L; THIST - B09C2C17
 C2 CLK L; THIST - B09C2C18
 NC; ** - B09C2C19
 NC; ** - B09C2C20
 NC; ** - B09C2C21
 DRUSER:INT1 L; THIST - B09C2C22
 UNGATED CLK L - B09C2C23
 HI DEST:02 - B09C2C24
 NC; ** - B09C2C25
 NC; ** - B09C2C26
 NC; ** - B09C2C27
 EDBUS 14 - B09C2C28
 EDBUS 15 - B09C2C29
 EDBUS 16 - B09C2C30
 NC; ** - B09C2C31
 NC; ** - B09C2C32
 NC; ** - B09C2C33
 ENB DBUS FROM DRMH - B09C2C34
 EDBUS 17 - B09C2C35
 EDBUS 18 - B09C2C36

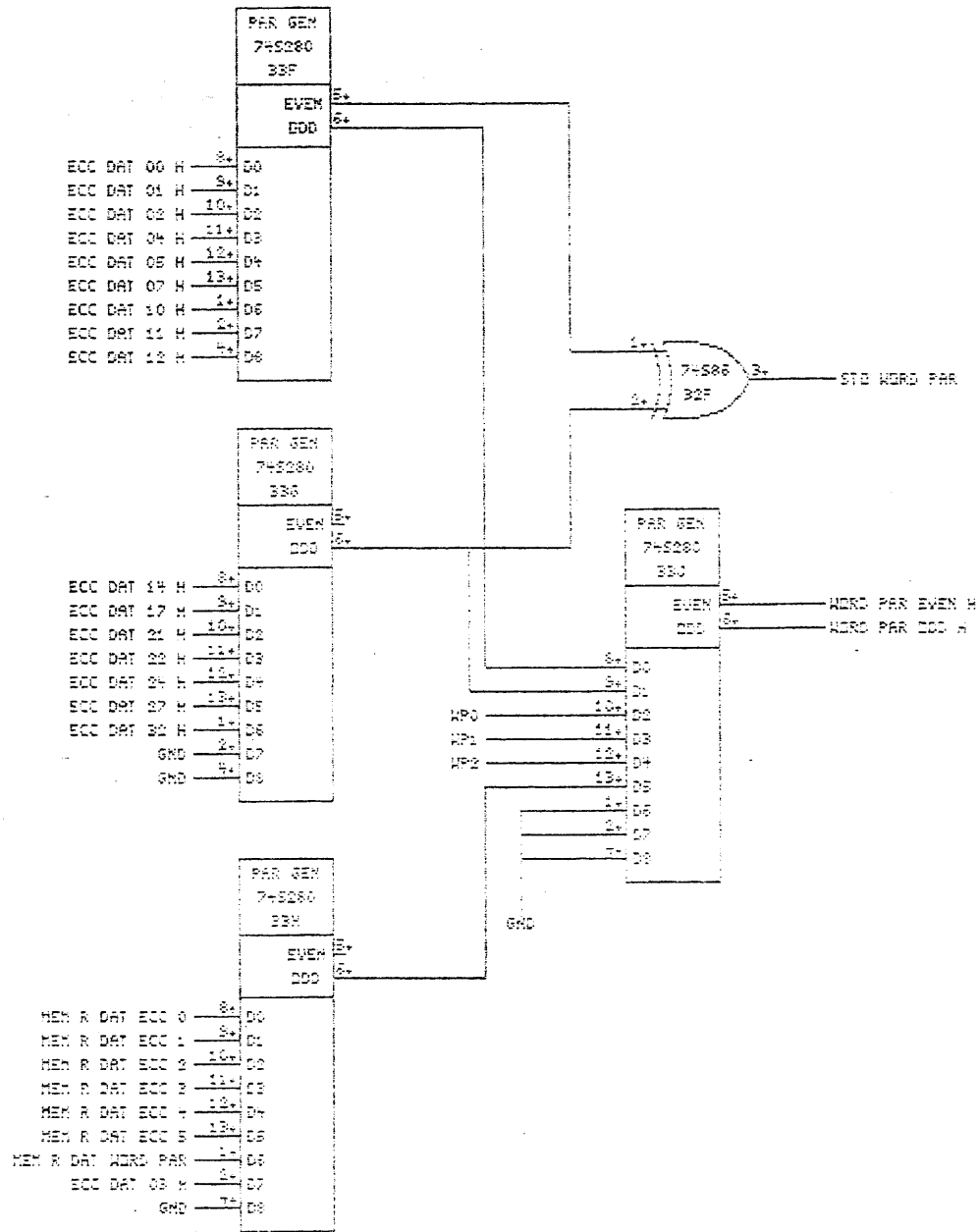
ENABE.DRW(1,111)	
SITE1	REV
SITE2	CARDLOC
TITLE1	
TITLE2	PAGE DF



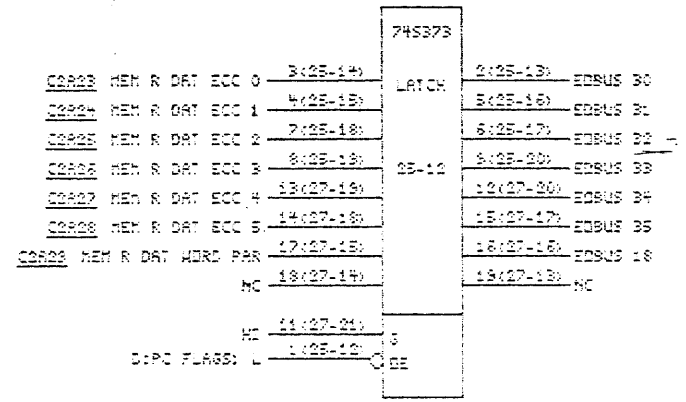
SM-2



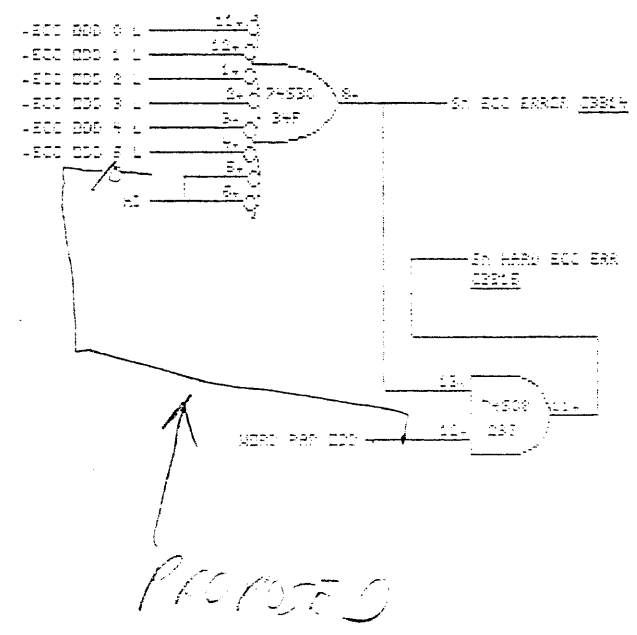




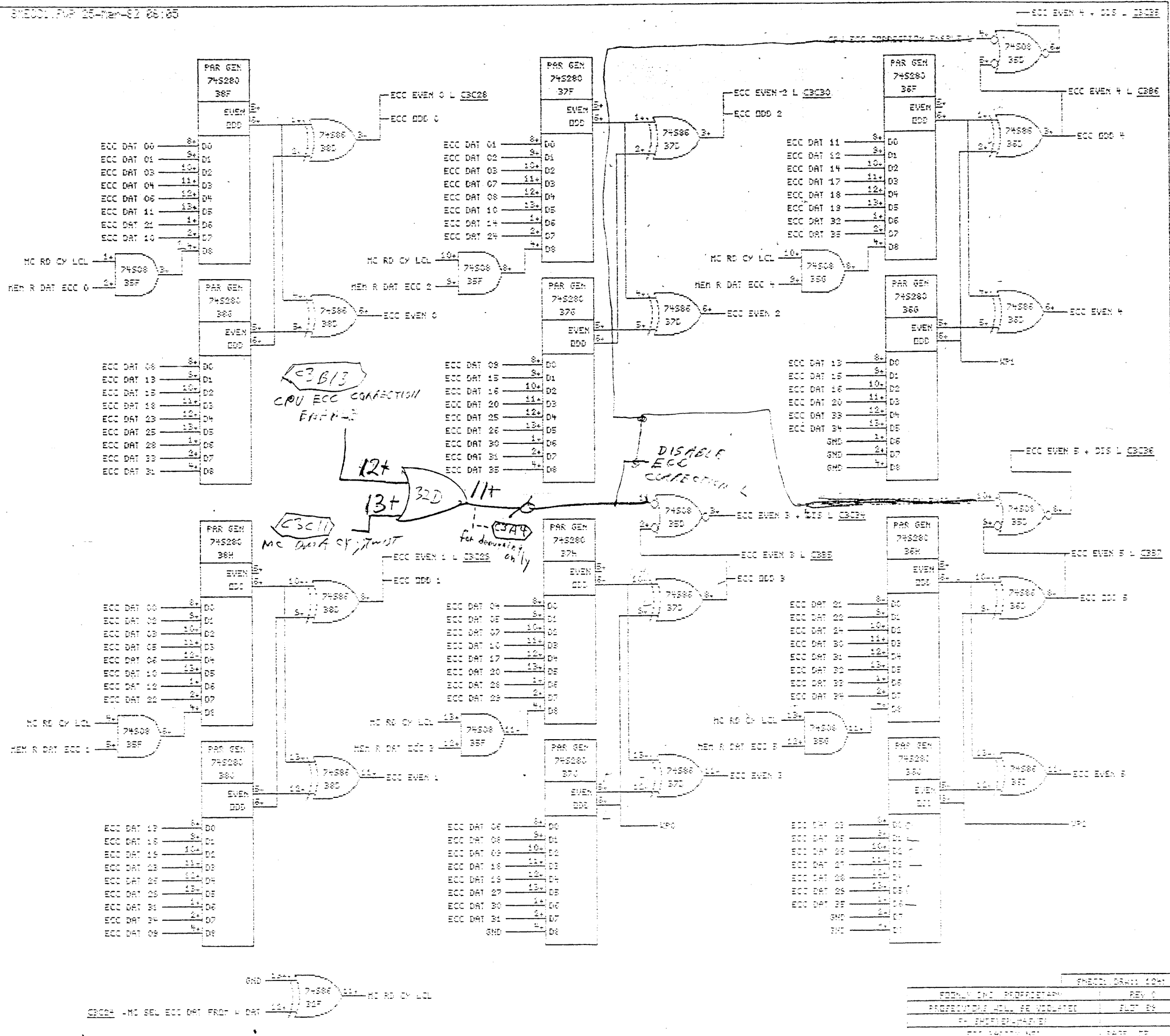
NOTE: CHECK BITS CAN ONLY BE READ BY DOING DFRQ D:PC-FLAGS: DEST:01



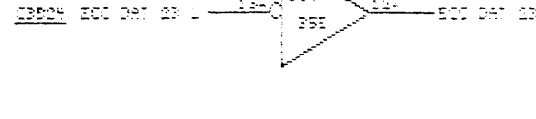
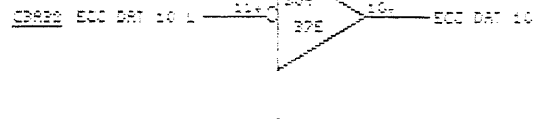
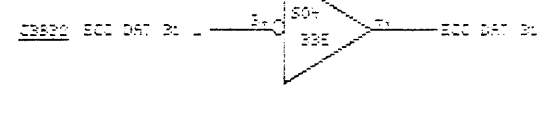
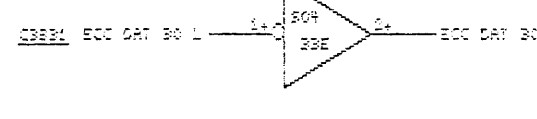
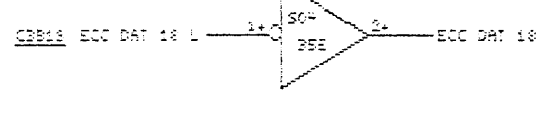
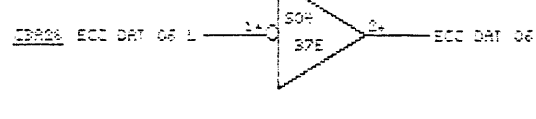
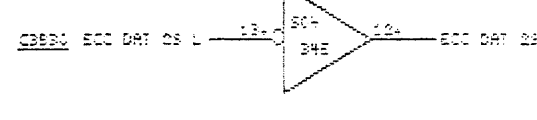
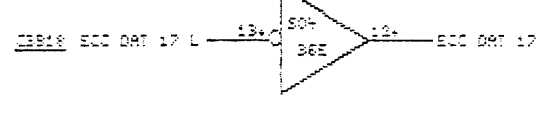
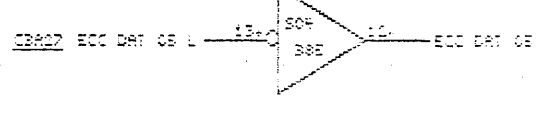
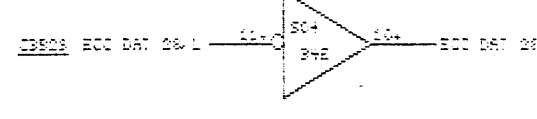
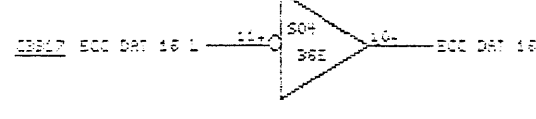
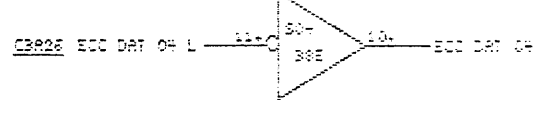
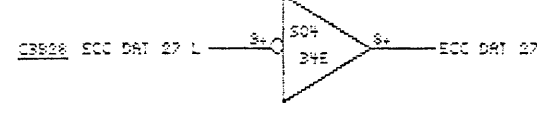
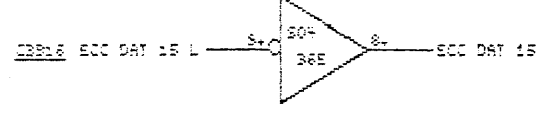
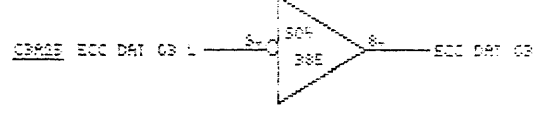
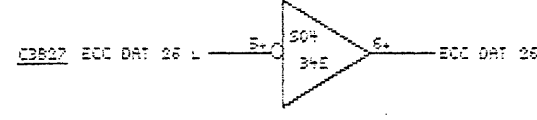
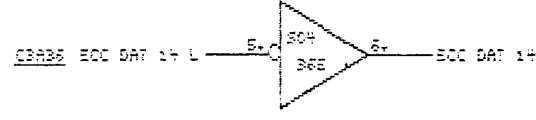
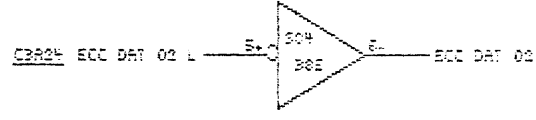
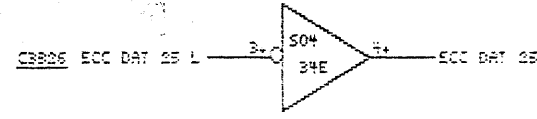
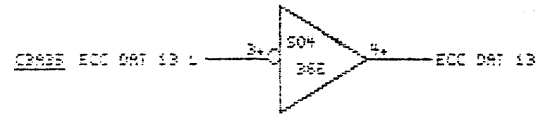
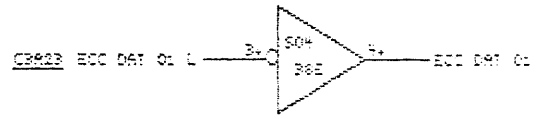
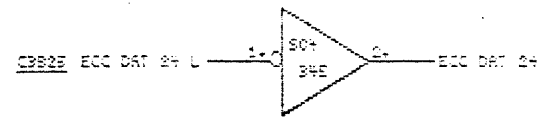
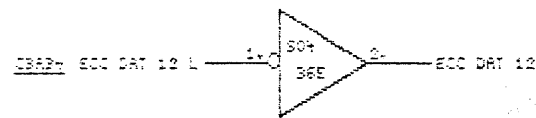
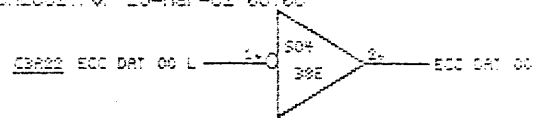
ECC EVEN 0 H	2(25-00)	74S241	18(27-03)	MEM R DAT ECC 0 H	02B03
ECC EVEN 1 H	4(25-04)	25-01	18(27-05)	MEM R DAT ECC 1 H	02B04
ECC EVEN 2 H	6(25-06)		18(27-07)	MEM R DAT ECC 2 H	02B05
ECC EVEN 3 H	8(25-08)		18(27-08)	MEM R DAT ECC 3 H	02B06
GND	1(25-01)	EN			
ECC EVEN 4 H	12(27-04)		3(25-03)	MEM R DAT ECC 4 H	02B07
ECC EVEN 5 H	15(27-05)	TRIL	5(25-05)	MEM R DAT ECC 5 H	02B08
STD WORD PAR	13(27-03)	STATE	7(25-07)	MEM R DAT WORD PAR H	02B09
EN BUS RESET L	11(27-11)	DRV	9(25-09)	BUS RESET L: THZ07	02C12
HI	19(27-19)	EN			

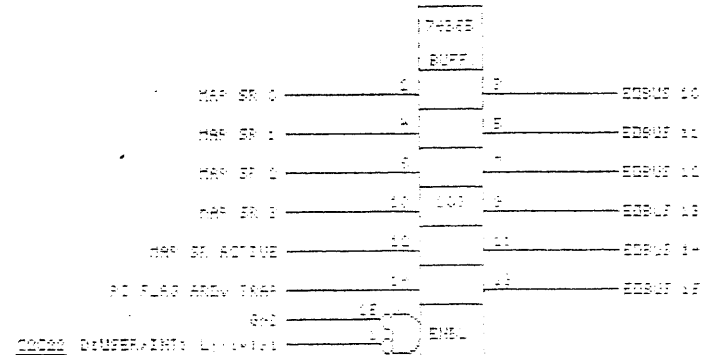
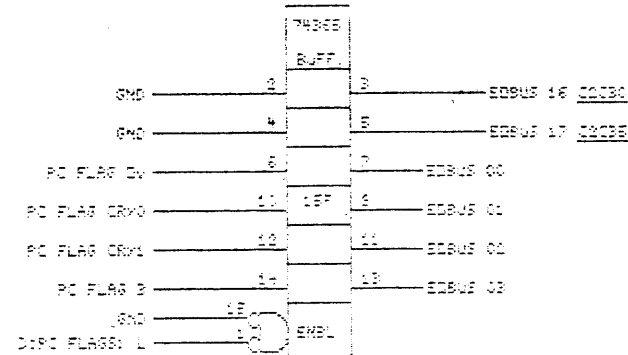
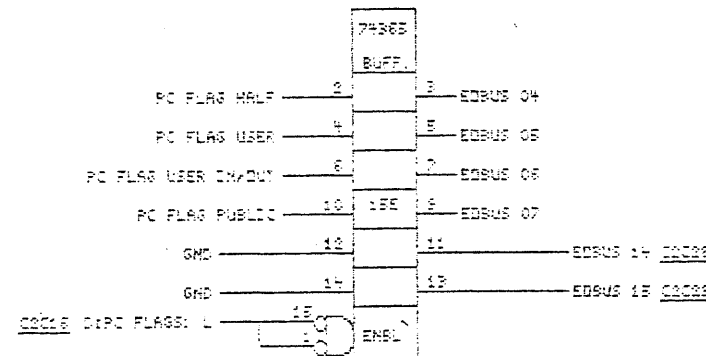
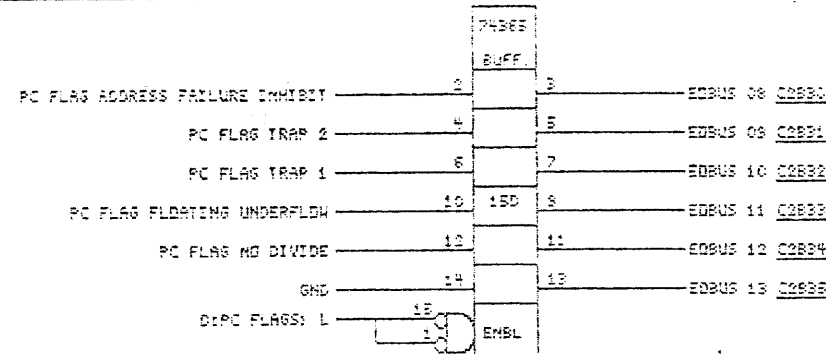
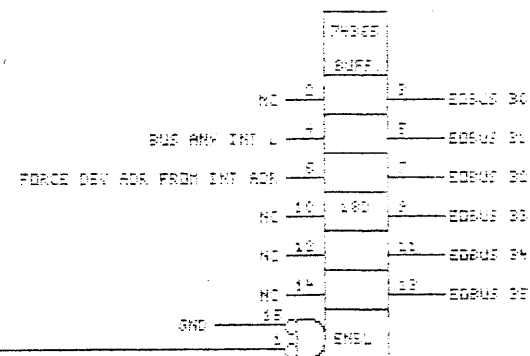
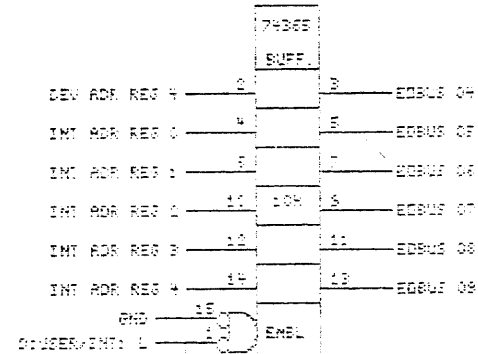
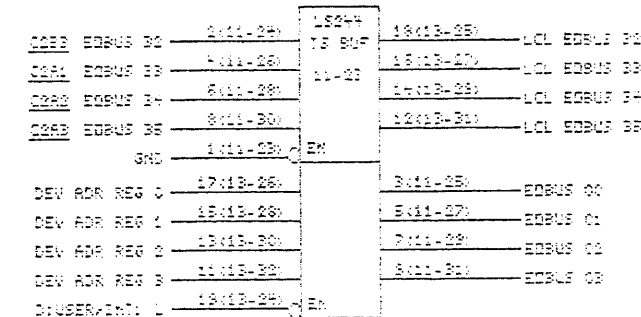
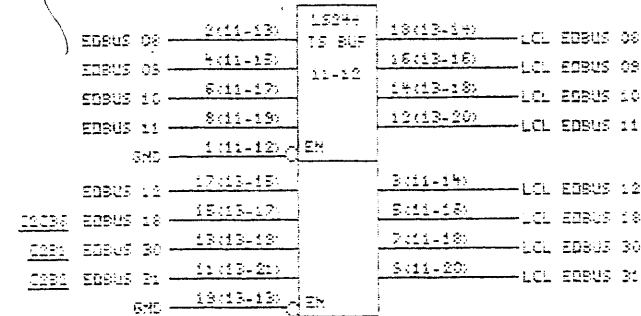
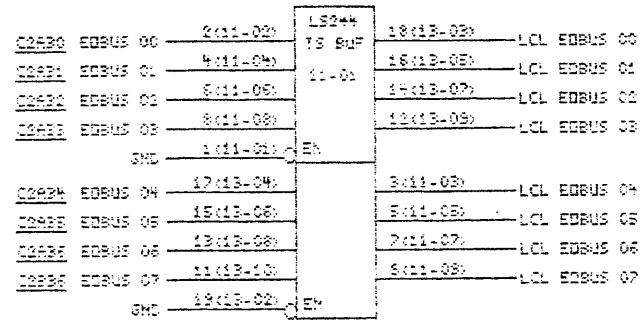


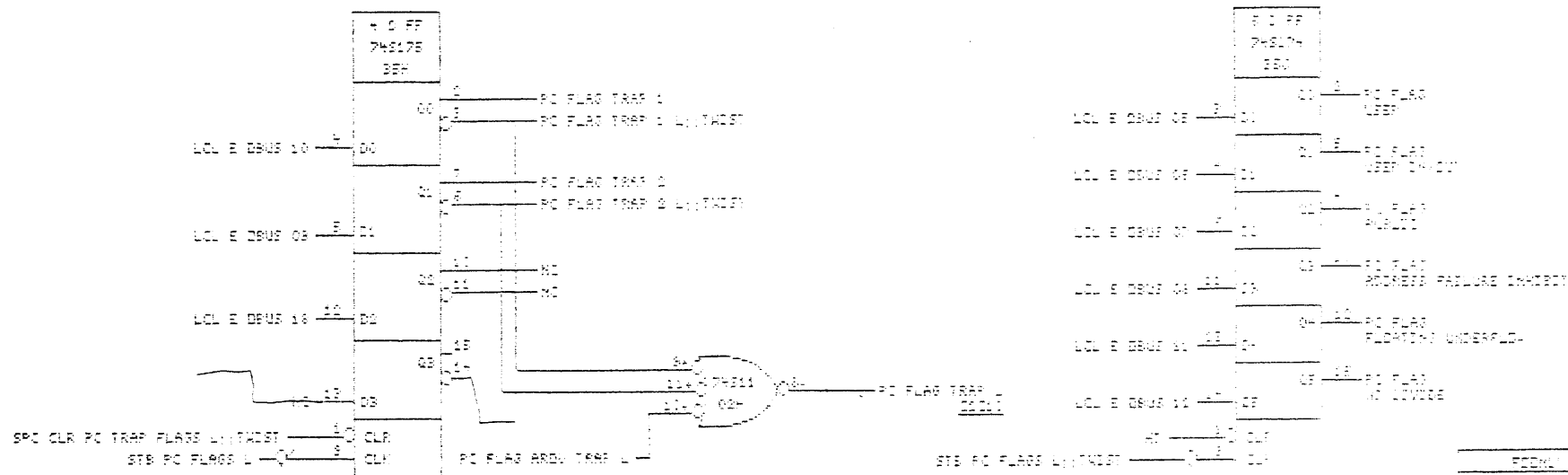
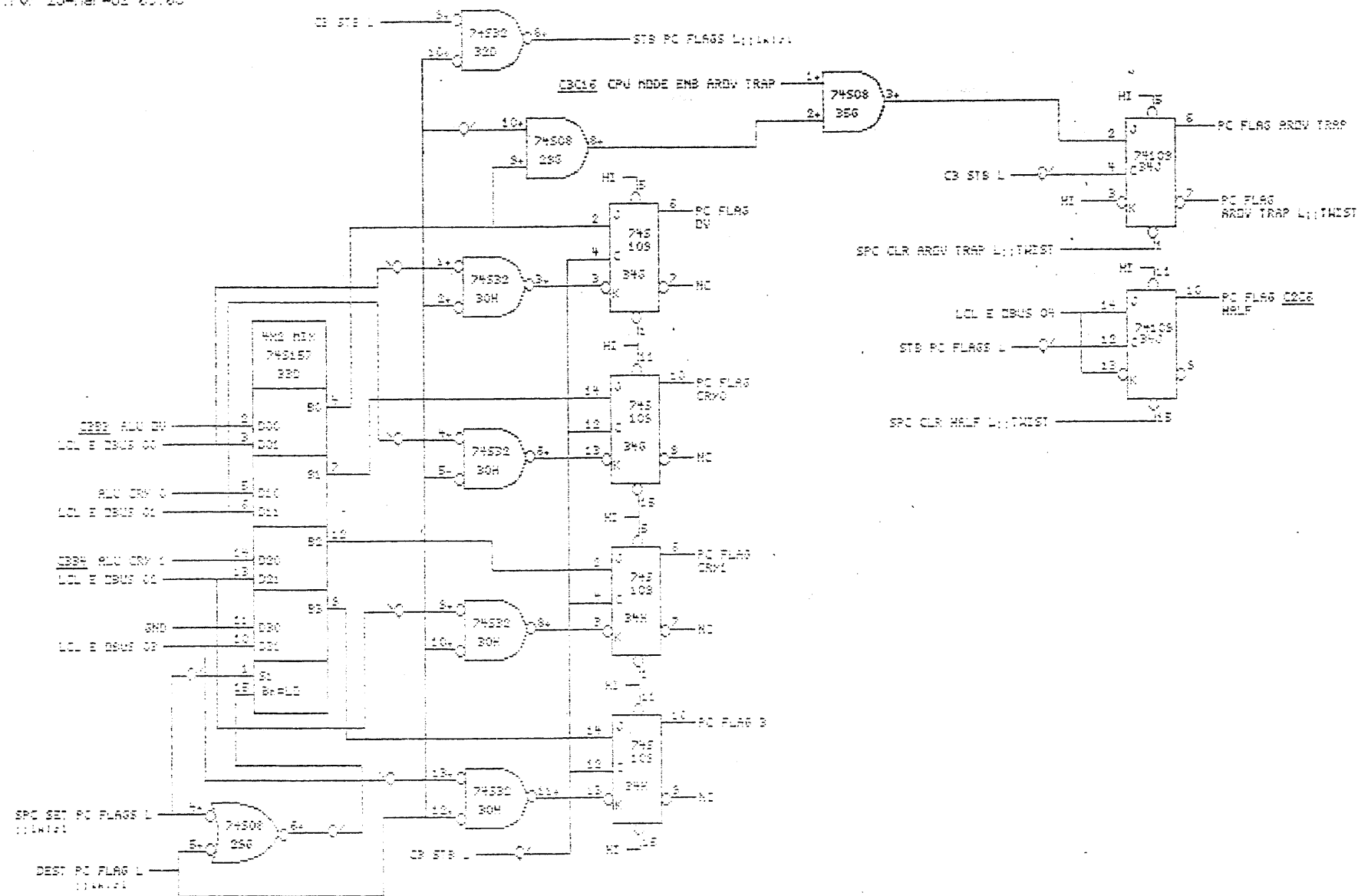
PC1050



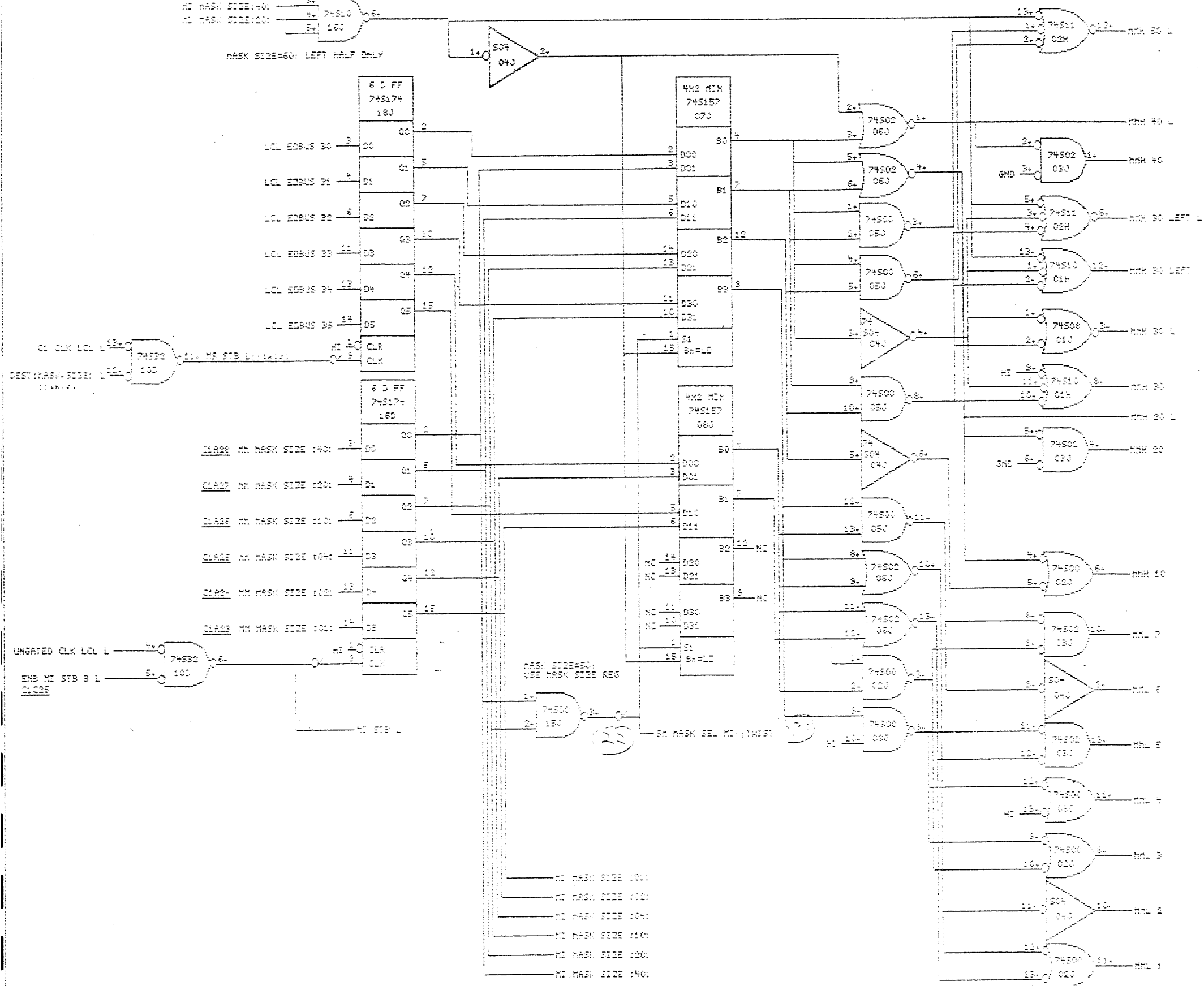
27
28
29
30
31

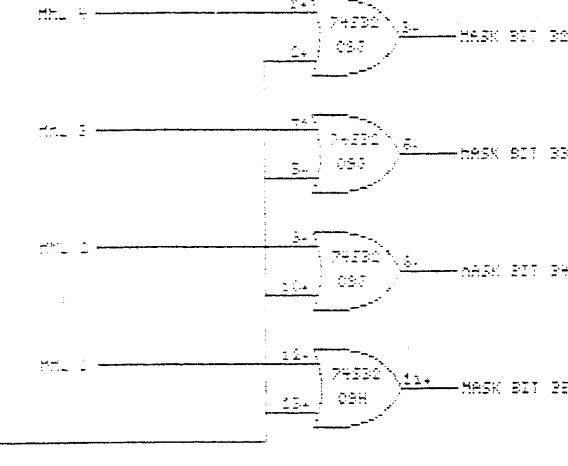
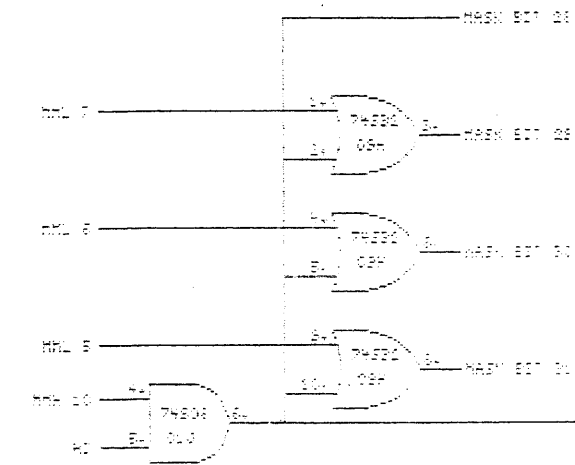
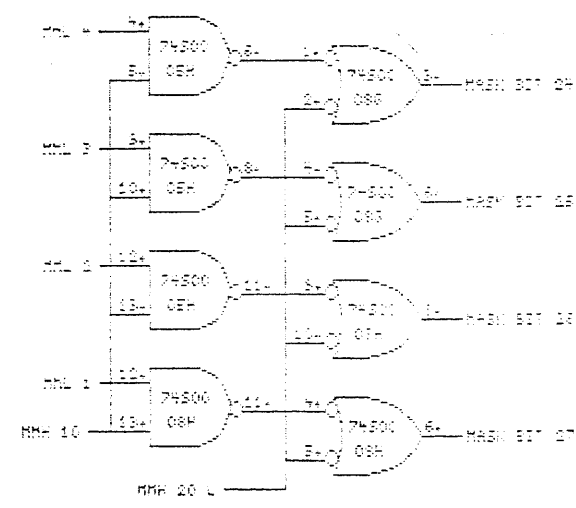
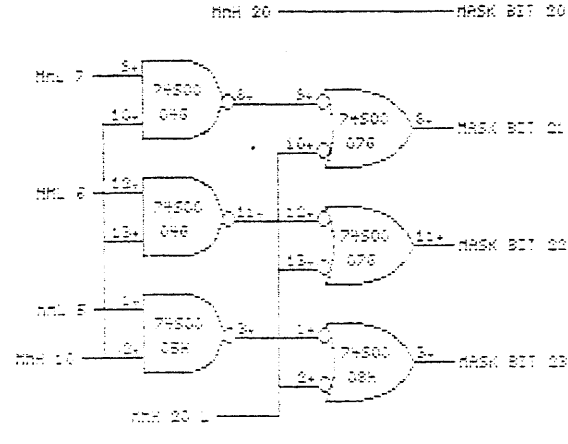
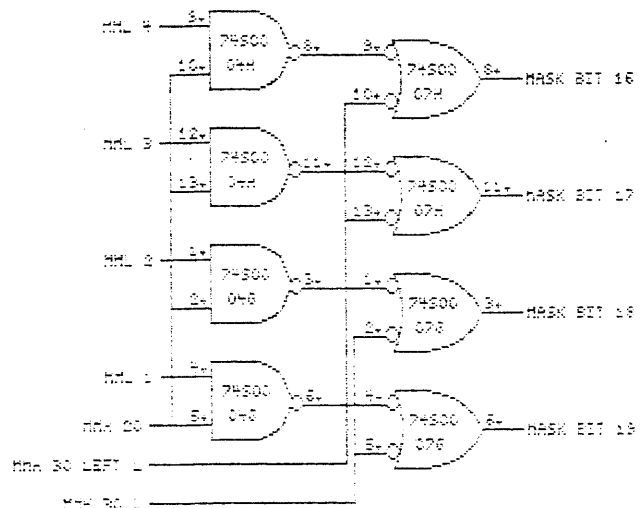
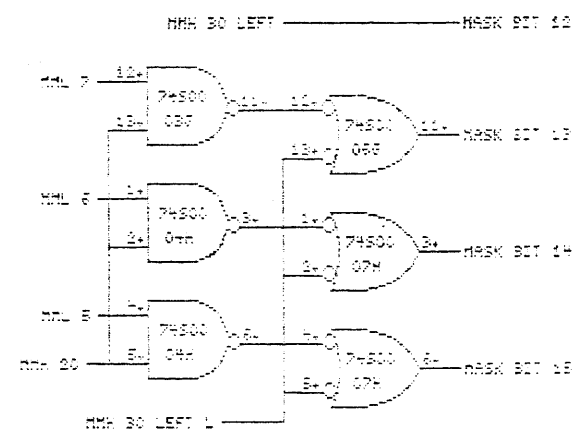
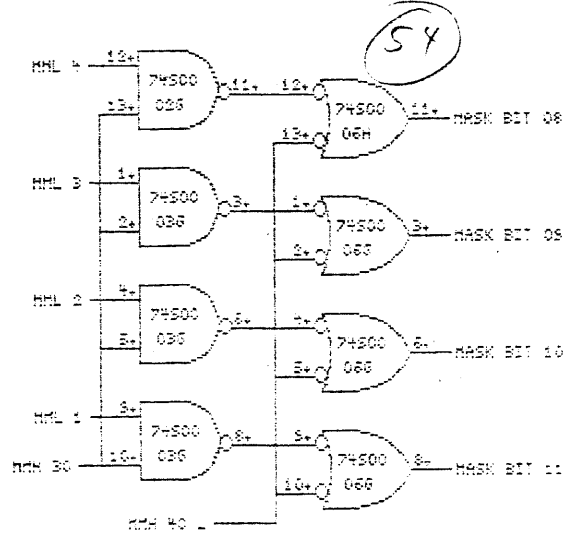
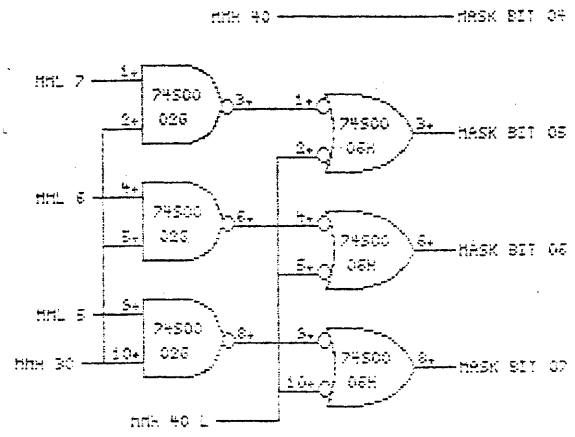
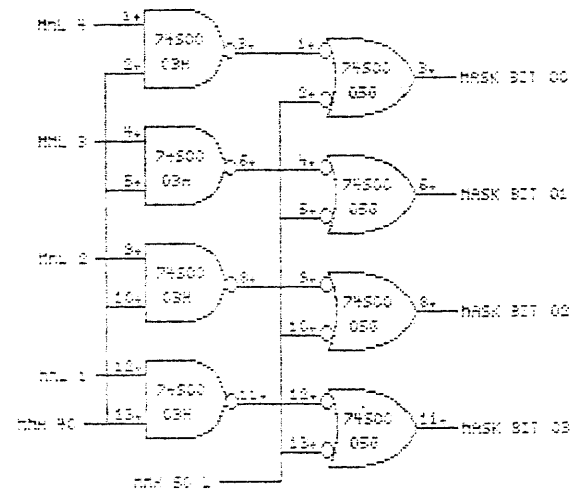


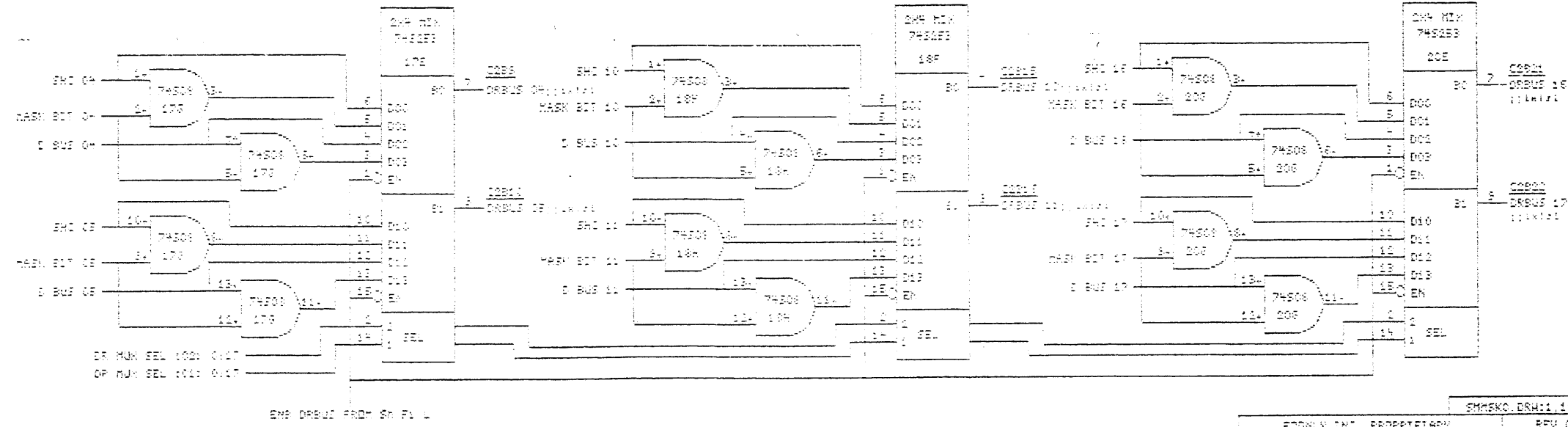
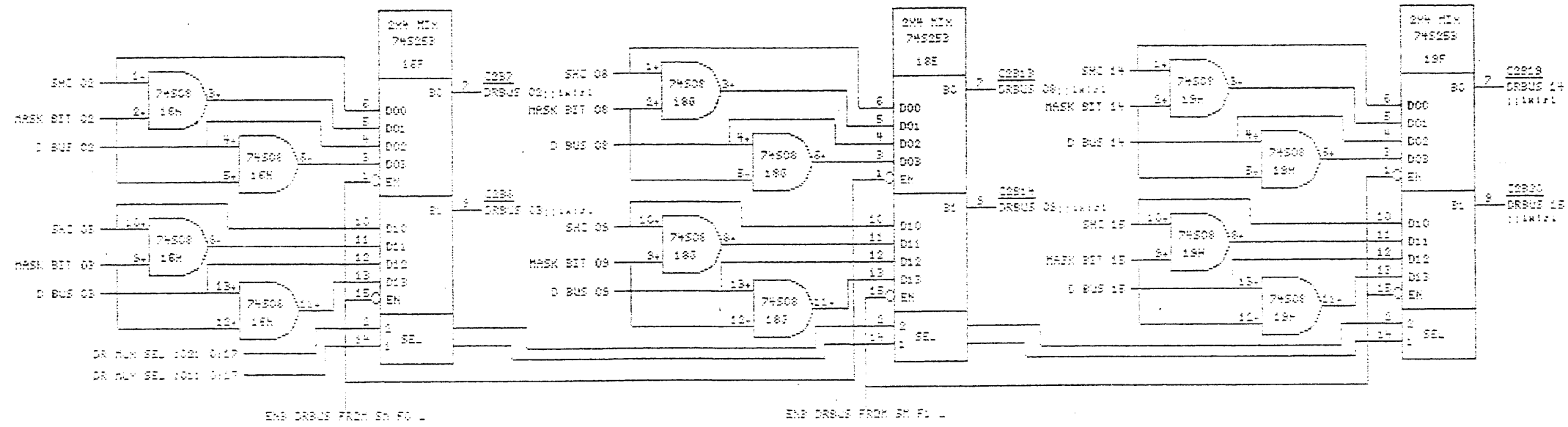
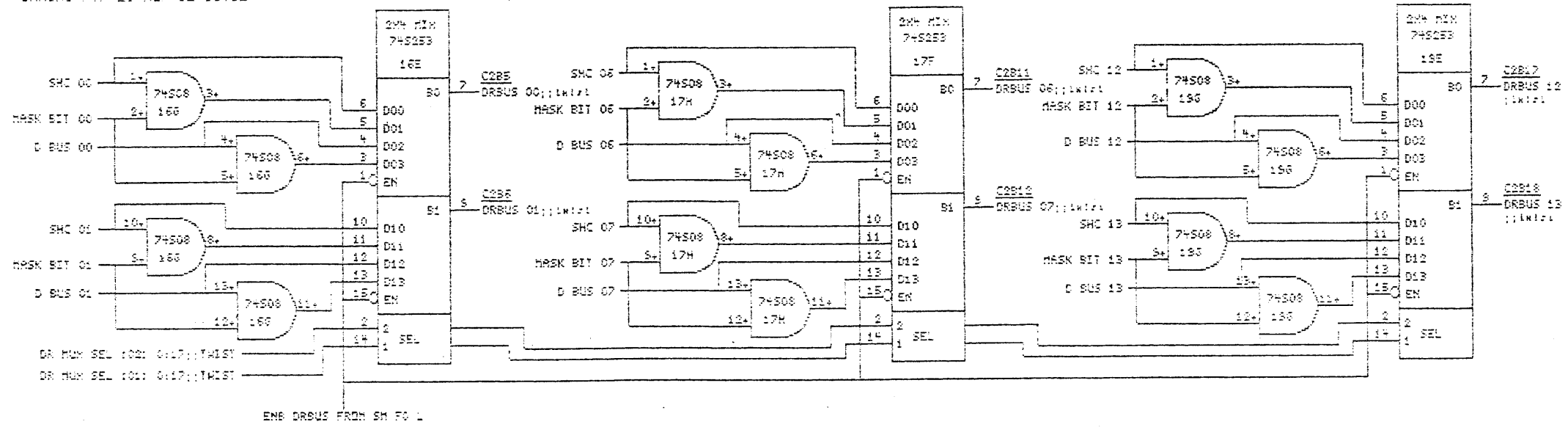


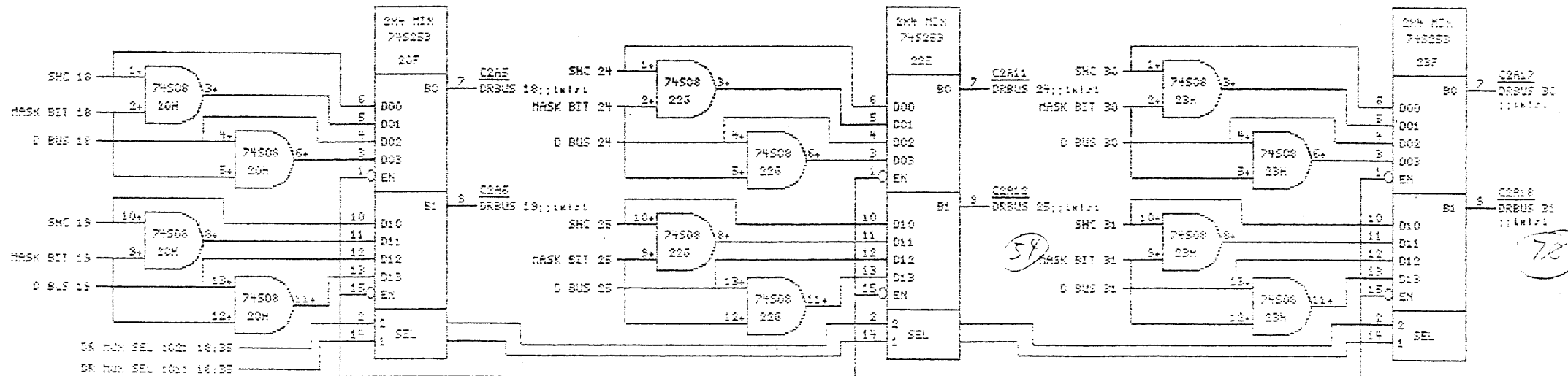


PC FLAG ORAL: 124:	
FROM: INC. PROPRIETARY	REV: 0
PROSECUTION WILL BE VIOLATED	SHEET 89
PHI SHIPPER HARVEY	
PC FLAG	PAGE 1 OF 1

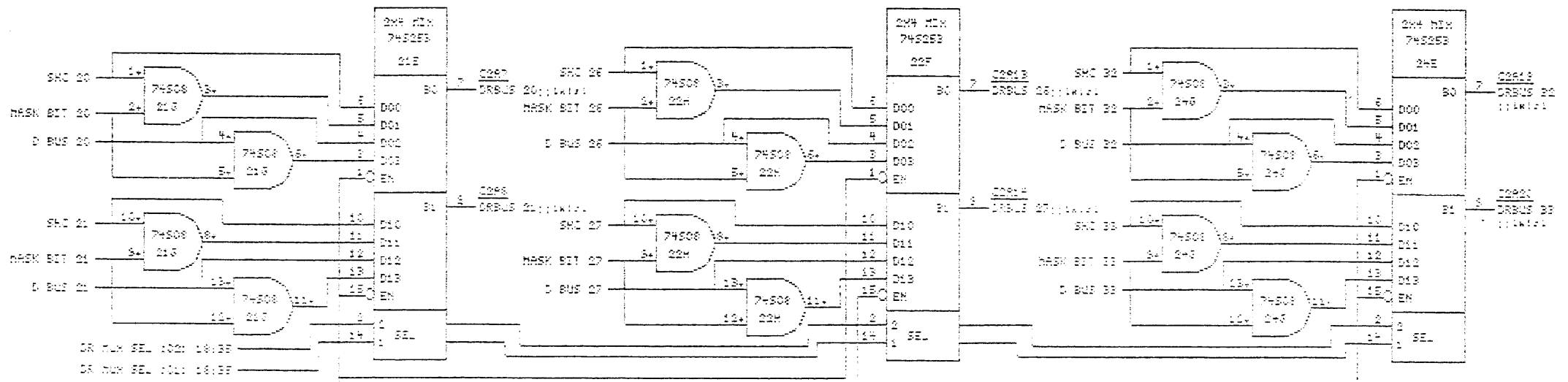






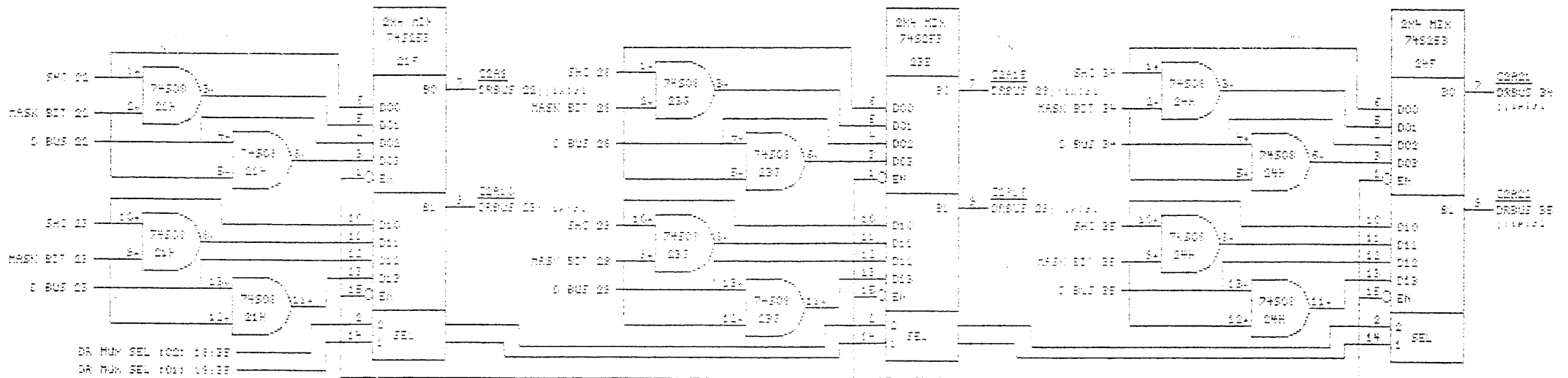


END DRBUS FROM SH F0 L

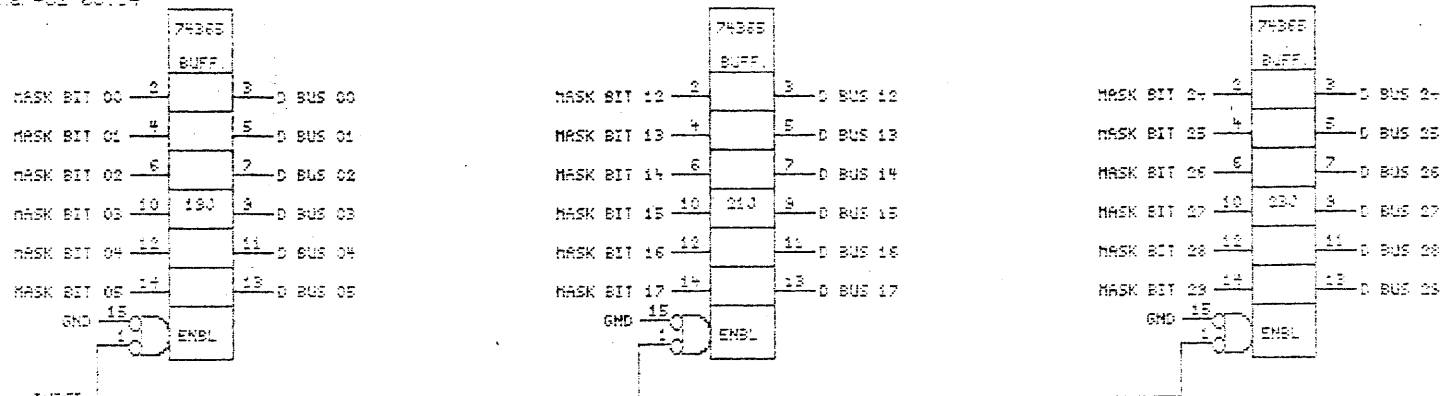


END DRBUS FROM SH F0 L

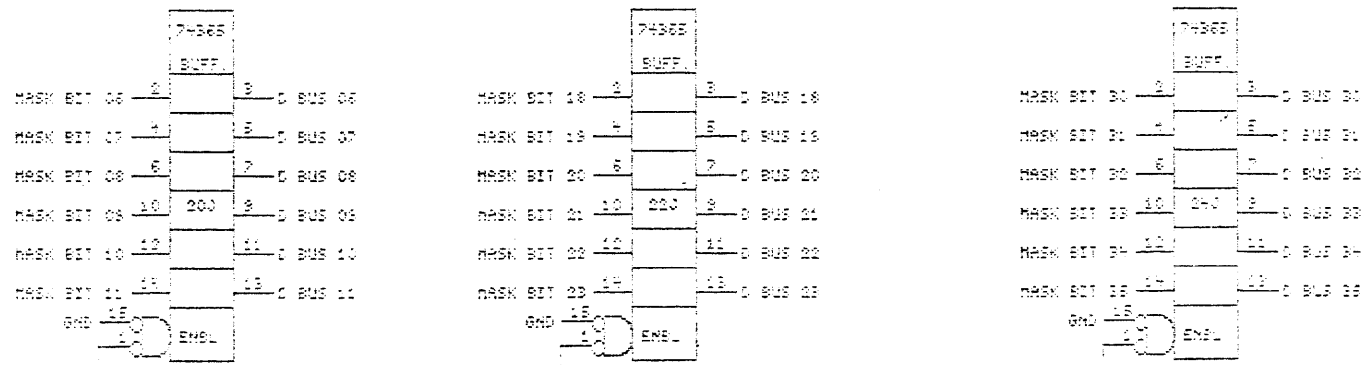
END DRBUS FROM SH F0 L



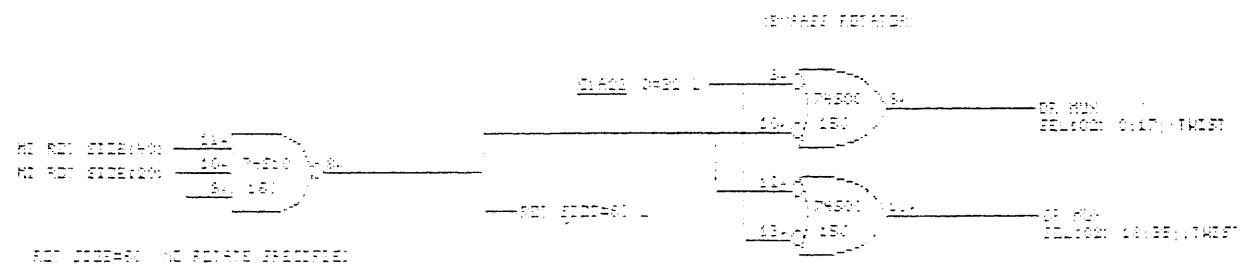
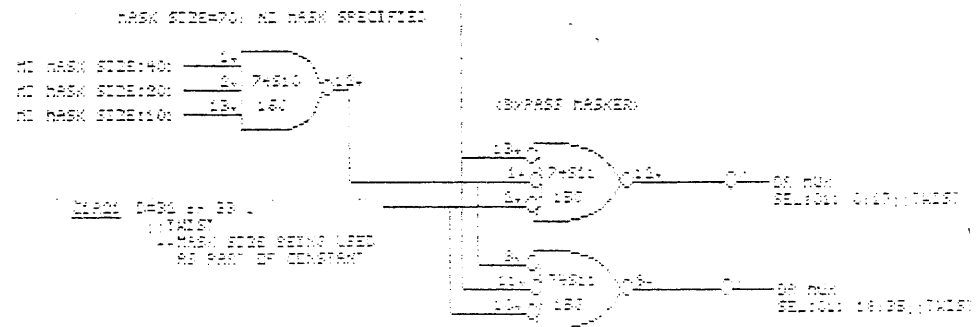
END DRBUS FROM SH F0 L



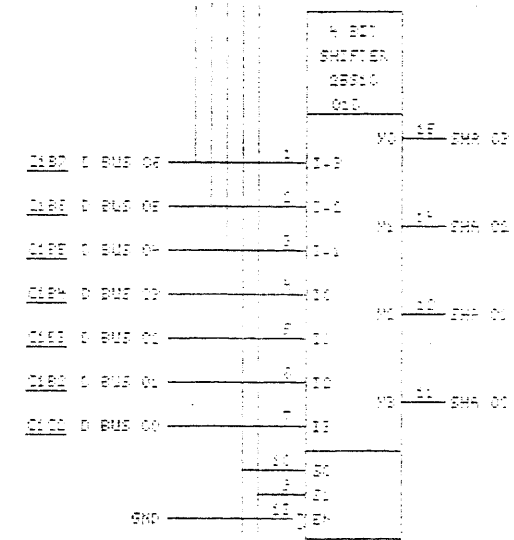
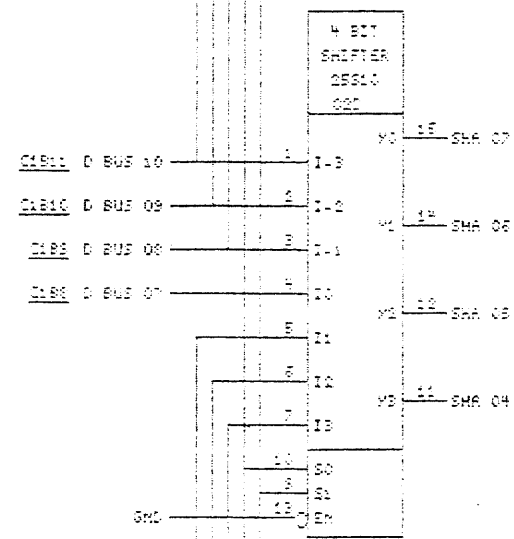
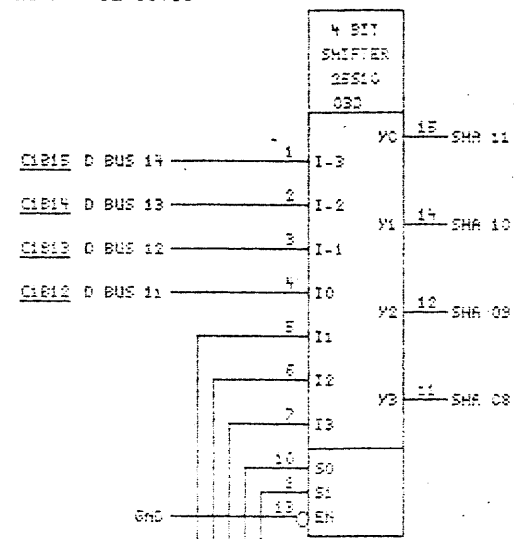
ENB DBUS FROM MASK L1, TWIST



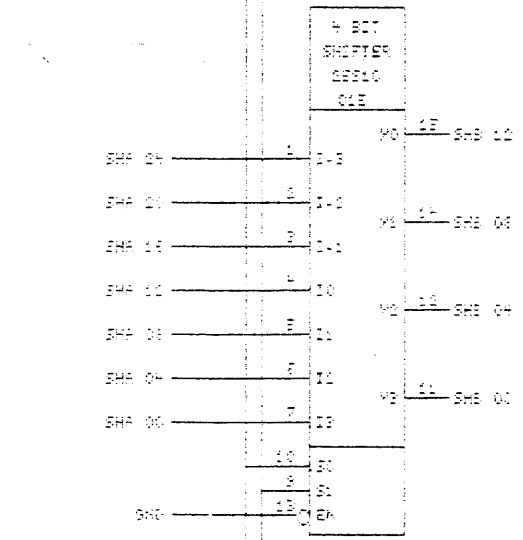
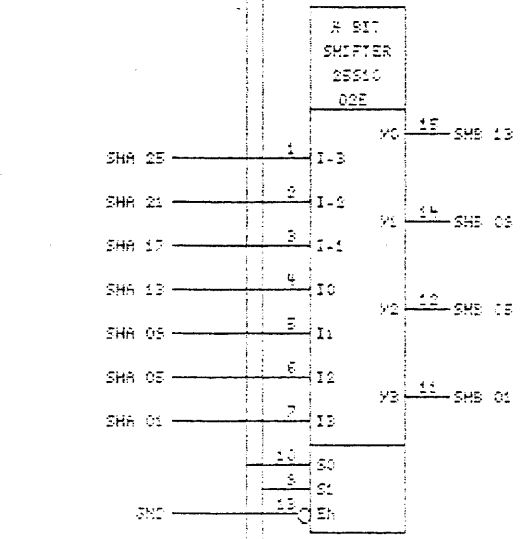
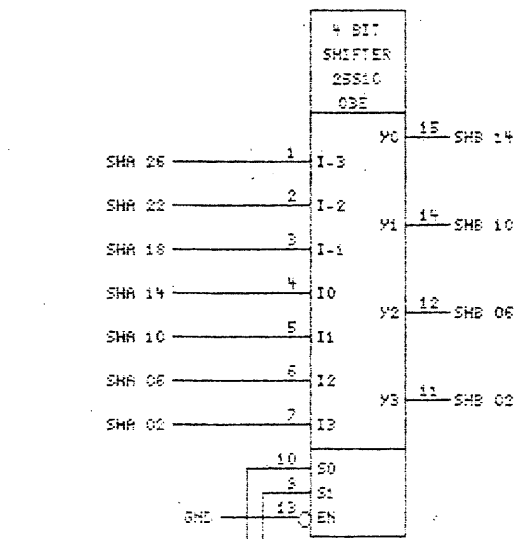
ENB DBUS FROM MASK L1, TWIST



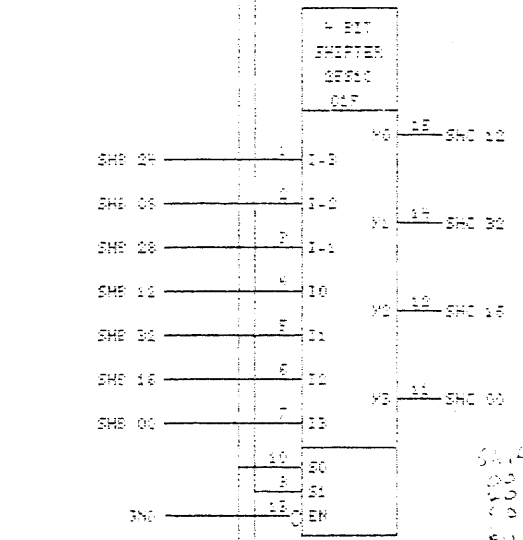
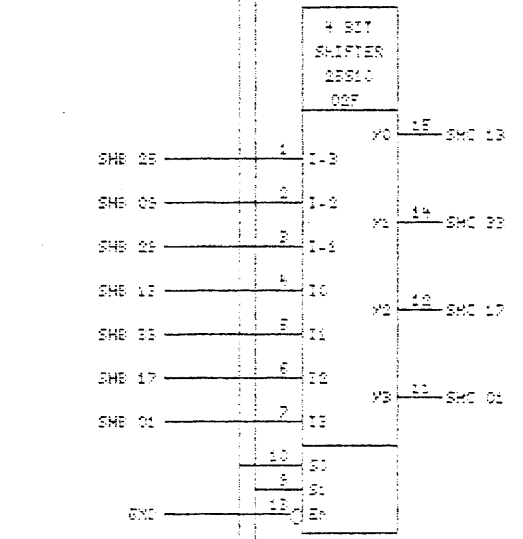
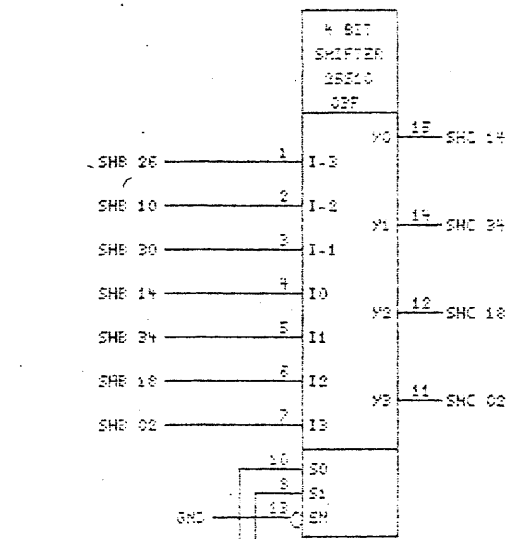
NO MASK SIDE=40: NO MASK SPECIFIED



ROT SIZE 1001
ROT SIZE 1002

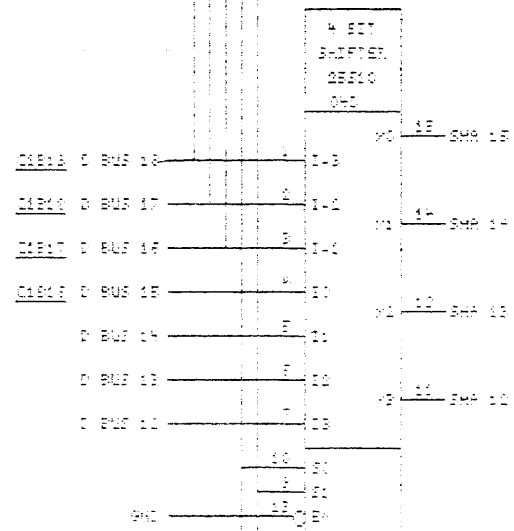
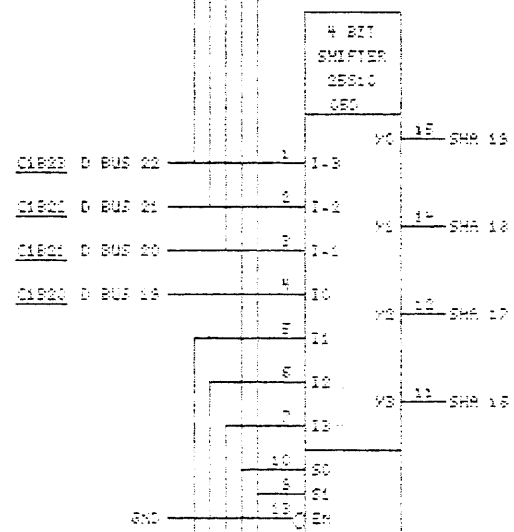
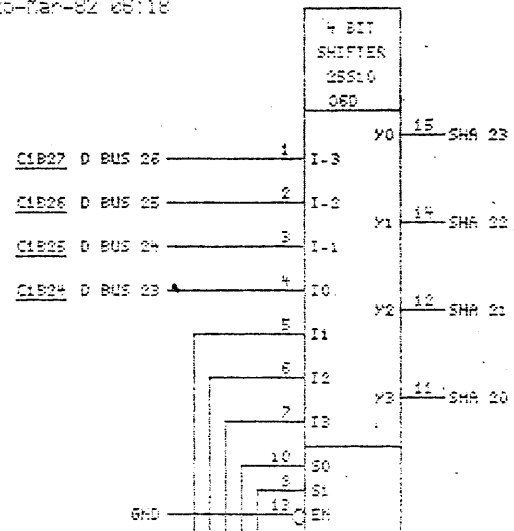


ROT SIZE 1001
ROT SIZE 1002

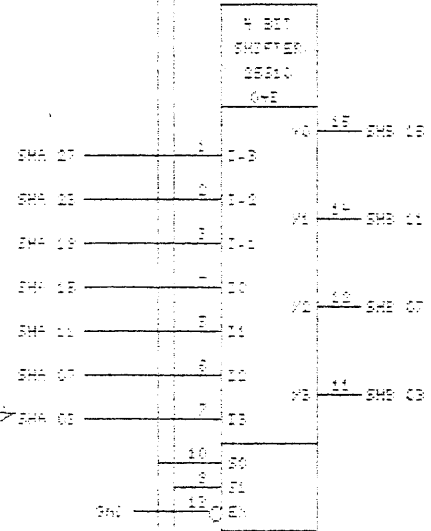
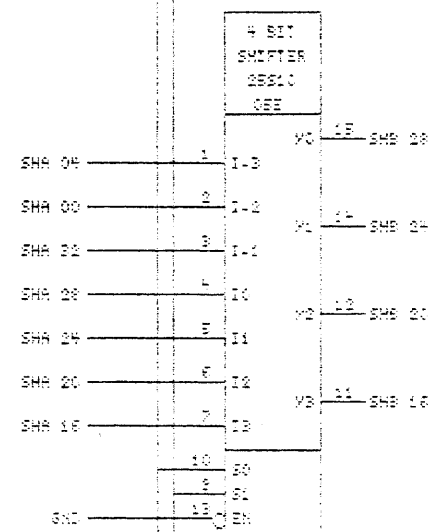
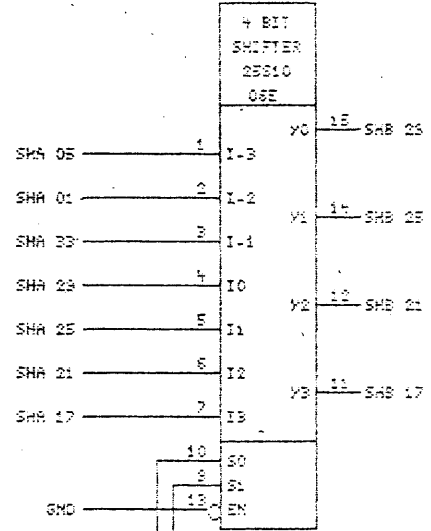


ROT SIZE 1001
ROT SIZE 1002

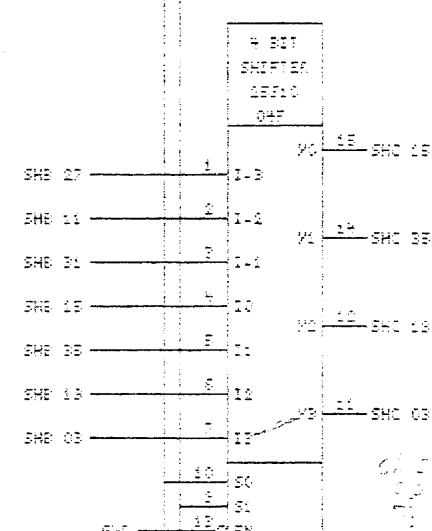
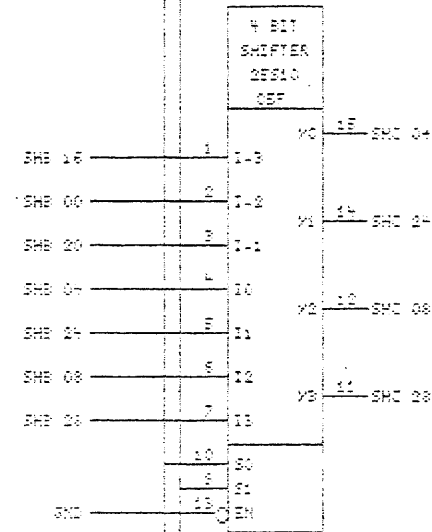
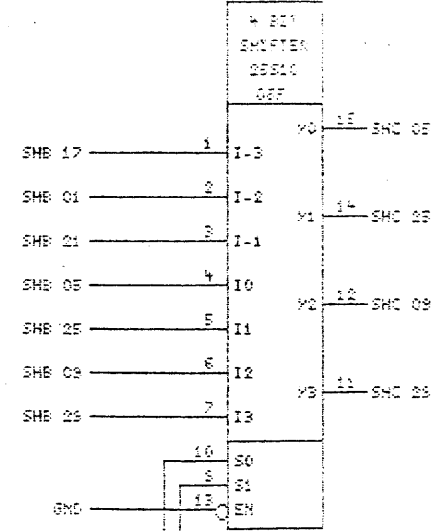
Q2510 Q25-33
Q2510 Q28-30
Q2510 Q31-33



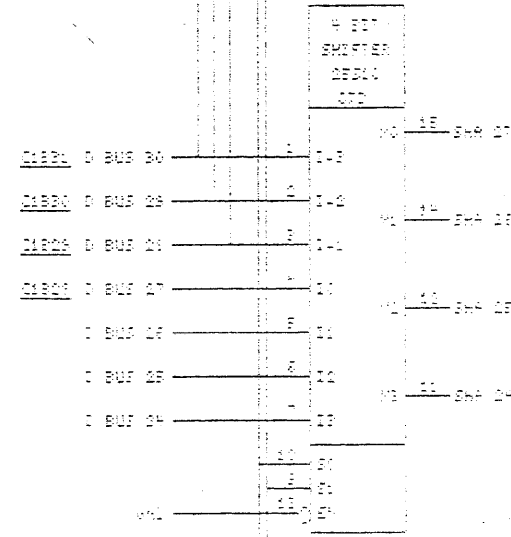
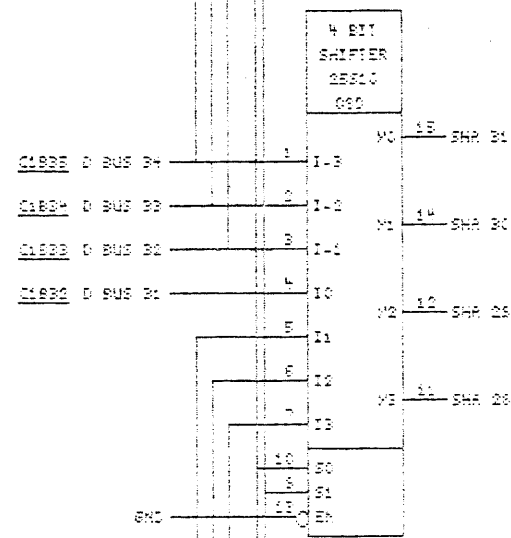
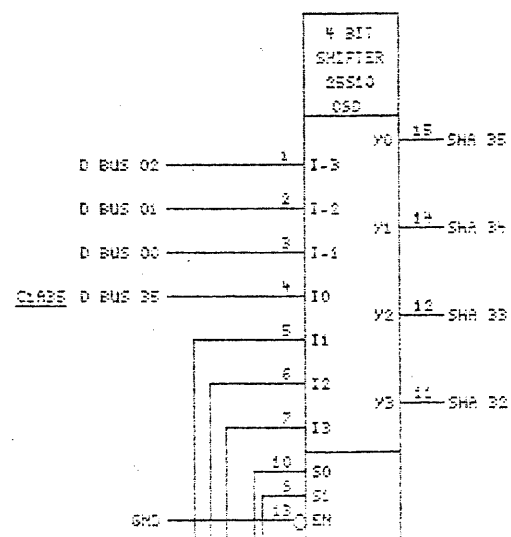
ROT SIDE 100:
ROT SIDE 100:



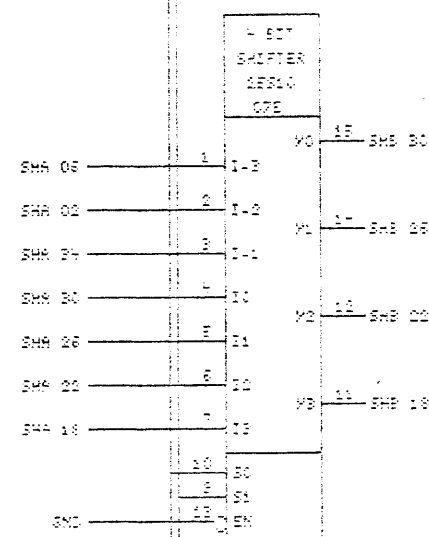
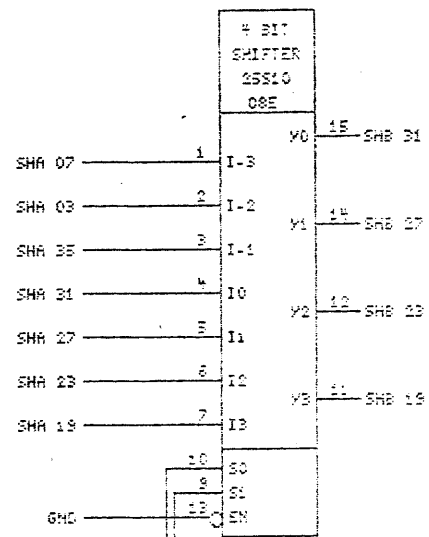
ROT SIDE 100:
ROT SIDE 100:



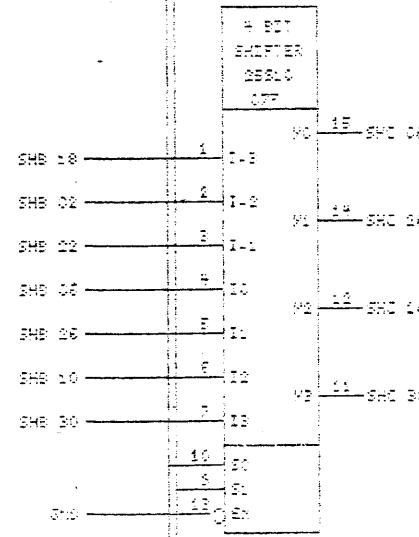
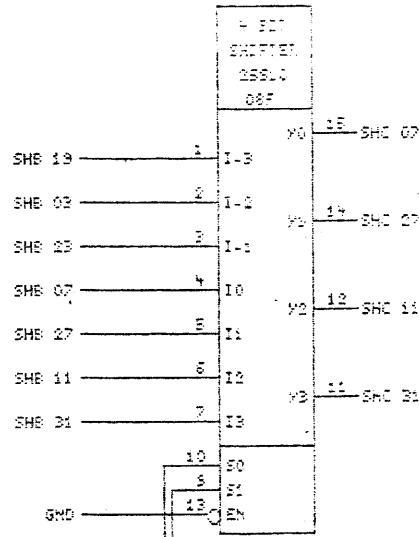
ROT SIDE 100:
ROT SIDE 100:



REF SIDE 101:
REF SIDE 102:

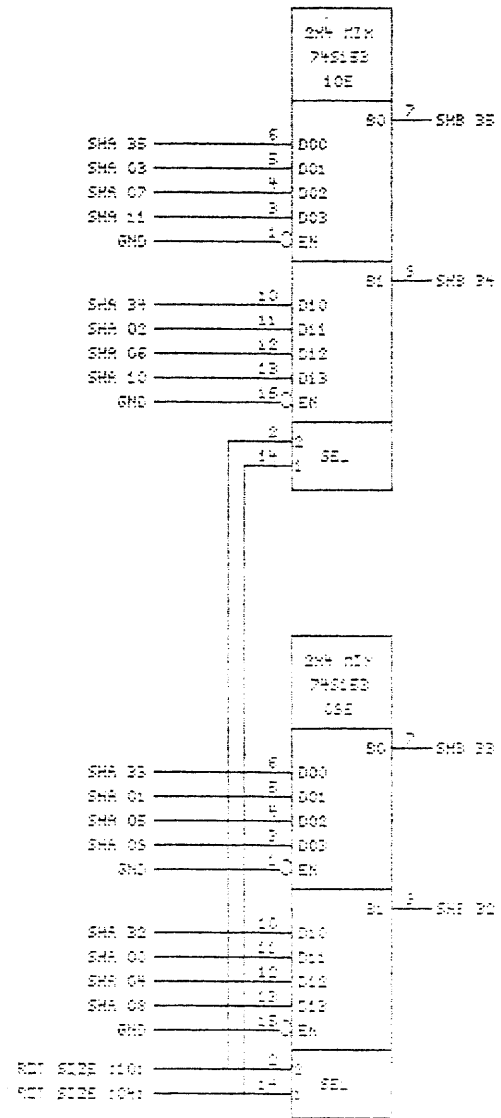


REF SIDE 104:
REF SIDE 105:

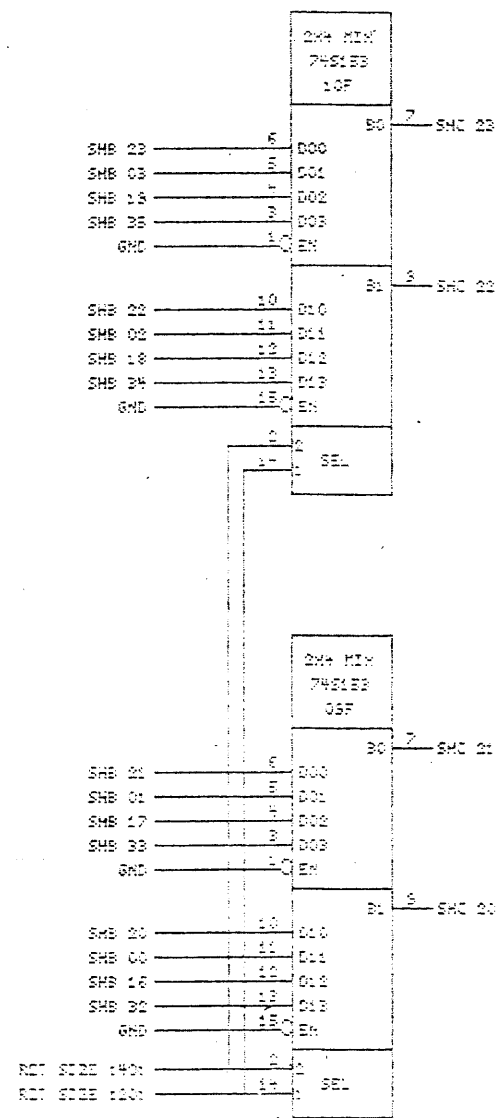


REF SIDE 100:
REF SIDE 101:

100 00
100 100
100 00
100 100



SHB 35
SHB 03
SHB 07
SHB 11
GND



SHB 23
SHB 03
SHB 13
SHB 35
GND

SFC EA FROM MEM

MC MAP FAULT TRAP1 RQ L - B15C1A4
 MC CPU ECC ERR TRAP1 RQ L - B15C1A5
 T-75 CLK L ; TWIST - B15C1A7
 ECC TRAP CPU RD CY+1 - B15C1A9
 MC DS RQ - B15C1A10
 MC HM WRT CLK L ; TWIST - B15C1A11
 CAS F0 ; TWIST - B15C1A12
 CAS F1 ; TWIST - B15C1A13
 CAS F2 ; TWIST - B15C1A14
 CAS F3 ; TWIST - B15C1A15
 ROW ENB F2 ; TWIST - B15C1A16
 ROW ENB F3 ; TWIST - B15C1A17
 MC RD CY 60 - B15C1A18
 CLK T100 L ; TWIST - B15C1A19
 CLK T125 L ; TWIST - B15C1A20
 -ECC EVEN 3 - B15C1A21
 -ECC EVEN 4 - B15C1A22
 -ECC EVEN 5 - B15C1A23
 DMAP-TAG1 L ; TWIST - B15C1A24
 TRAP 1 60 L ; TWIST - B15C1A25
 JUMP ADDRTE L ; TWIST - B15C1A26
 SQ MAP ACTIVE - B15C1A27
 SQ COND L ; TWIST - B15C1A28
 MC REFRESH CY - B15C1A29
 MC EARLY SPEC CY - B15C1A30
 CC CTRL LDRP MC IN - B15C1A32
 CC SRB DATI 0 - B15C1A33
 CC SRB CLK L - B15C1A34
 CC CTRL SWIFT ENB - B15C1A35
 MC ; TWIST - B15C1A36

MC; ** - B15C1B1
 ne - B15C1B2
 ne - B15C1B3
 MAP ACCESS 1 ; TWIST - B15C1B4
 MAP ACCESS 2 ; TWIST - B15C1B5
 MC DMA ECC ERR TRAP1 RQ L - B15C1B6
 -ENB MEM FRCH HOLD - B15C1B7
 -SQ PRINCIPLE IDISP - B15C1B8
 PRINCIPLE IDISP+1 - B15C1B9
 -SQ JUMP CY L ; TWIST - B15C1B10
 MP FAST MEM SEL ACTIVE - B15C1B11
 MEM OUT LATCH F0 ; TWIST - B15C1B12
 MEM OUT LATCH F1 ; TWIST - B15C1B13
 MEM OUT LATCH F2 ; TWIST - B15C1B14
 MEM OUT LATCH F3 ; TWIST - B15C1B15
 ROW ENB F0 ; TWIST - B15C1B16
 ROW ENB F1 ; TWIST - B15C1B17
 MC RD CY; TWIST - B15C1B18
 2ND HALF CY L ; TWIST - B15C1B19
 T-125 L ; TWIST - B15C1B20
 -ECC EVEN 0 - B15C1B21
 -ECC EVEN 1 - B15C1B22
 -ECC EVEN 2 - B15C1B23
 DMAP-NA1 L ; TWIST - B15C1B24
 MP PAR ERR ; TWIST - B15C1B25
 -MAP HIT ; TWIST - B15C1B26
 MAP ACCESS 0 ; TWIST - B15C1B27
 MC MEM WAIT L ; TWIST - B15C1B28
 CPU STOP L - B15C1B29
 MM IF RQ - B15C1B30
 MM DF RQ - B15C1B31
 MI HAPF(10) - B15C1B32
 MI HAPF(04) - B15C1B33
 MI HAPF(02) - B15C1B34
 MI HAPF(01) - B15C1B35
 MC ; TWIST - B15C1B36

MC; ** - B15C1C1
 MC MEM GO ; TWIST - B15C1C2
 CC STATUS LDRP A LD ENB - B15C1C3
 MC; ** - B15C1C4
 MC; ** - B15C1C5
 MC; ** - B15C1C6
 MC; ** - B15C1C7
 MC; ** - B15C1C8
 MC EARLY DS WAIT - B15C1C9
 MC; ** - B15C1C10
 MC; ** - B15C1C11
 MC; ** - B15C1C12
 CLK 10MHZ L ; TWIST - B15C1C13
 CC STATUS LDRP A MC IN - B15C1C14
 DIRM: L - B15C1C15
 MC; ** - B15C1C16
 MC; ** - B15C1C17
 MC; ** - B15C1C18
 C1 CLK L ; TWIST - B15C1C19
 MC C1 MAP CLK ; TWIST - B15C1C20
 MEM WR ENB F0 ; TWIST - B15C1C21
 MC; ** - B15C1C22
 MC; ** - B15C1C23
 MC; ** - B15C1C24
 MEM WR ENB F1 ; TWIST - B15C1C25
 MEM WR ENB F2 ; TWIST - B15C1C26
 MEM WR ENB F3 ; TWIST - B15C1C27
 MC; ** - B15C1C28
 MC; ** - B15C1C29
 IOB DRU IN ; TWIST - B15C1C30
 MC; ** - B15C1C31
 MC; ** - B15C1C32
 MC; ** - B15C1C33
 MC; ** - B15C1C34
 MC; ** - B15C1C35
 MC; ** - B15C1C36

MC JPPC SEL ; TWIST - B15C2A1
 MC PPC SEL ; TWIST - B15C2A2
 MC PA FROM IGA ENB L - B15C2A3
 SQ ROW ENB ; TWIST - B15C2A4
 SQ MEM WRT ENB L ; TWIST - B15C2A5
 ENB IDD FROM DBUS L ; TWIST - B15C2A6
 BUS ENABLE WRT DATA ; TWIST - B15C2A7
 BUS READ SECOND CY STR ; TWIST - B15C2A8
 ENB MI STR C L - B15C2A9
 MM CYLEN(10) - B15C2A10
 MM CYLEN(04) - B15C2A11
 MM CYLEN(02) - B15C2A12
 MM CYLEN(01) - B15C2A13
 SQ CAS L ; TWIST - B15C2A14
 SQ MEM OUT LATCH ; TWIST - B15C2A15
 STA MERGE L ; TWIST - B15C2A16
 END OF INST IDISP - B15C2A17
 HS TRAP L - B15C2A18
 EDBUS 18 - B15C2A19
 EDBUS 19 - B15C2A20
 EDBUS 20 - B15C2A21
 EDBUS 21 - B15C2A22
 EDBUS 22 - B15C2A23
 EDBUS 23 - B15C2A24
 EDBUS 24 - B15C2A25
 EDBUS 25 - B15C2A26
 EDBUS 26 - B15C2A27
 EDBUS 27 - B15C2A28
 EDBUS 28 - B15C2A29
 EDBUS 29 - B15C2A30
 EDBUS 30 - B15C2A31
 EDBUS 31 - B15C2A32
 EDBUS 32 - B15C2A33
 EDBUS 33 - B15C2A34
 EDBUS 34 - B15C2A35
 EDBUS 35 - B15C2A36

MC JPPC CLK L ; TWIST - B15C2B1
 MC PPC CLK L ; TWIST - B15C2B2
 MC PA FROM EA ENB L - B15C2B3
 IOB SUB SEL 10 - B15C2B4
 IOB SUB SEL 4 - B15C2B5
 IOB SUB SEL 2 - B15C2B6
 IOB SUB SEL 1 - B15C2B7
 DEST STRT-WRT - B15C2B8
 MC MM ENB CLK ; TWIST - B15C2B9
 -SH REFRESH RQ L - B15C2B10
 MC SELECC DAT FROM WRT L - B15C2B11
 MC CPU RD CY B L - B15C2B12
 MI IDISP RQ - B15C2B14
 ne - B15C2B15
 HS BRK - B15C2B16
 ERMUX 24-35 SEL 1 - B15C2B17
 UNGATED CLK L ; TWIST - B15C2B18
 ne - B15C2B19
 ne - B15C2B20
 ne - B15C2B21
 ne - B15C2B22
 EDBUS 04 - B15C2B23
 EDBUS 05 - B15C2B24
 EDBUS 06 - B15C2B25
 EDBUS 07 - B15C2B26
 EDBUS 08 - B15C2B27
 EDBUS 09 - B15C2B28
 EDBUS 10 - B15C2B29
 EDBUS 11 - B15C2B30
 EDBUS 12 - B15C2B31
 EDBUS 13 - B15C2B32
 EDBUS 14 - B15C2B33
 EDBUS 15 - B15C2B34
 EDBUS 16 - B15C2B35
 EDBUS 17 - B15C2B36

MC-2
 22 pages

EA 18 - B15C3A1
 EA 19 - B15C3A2
 EA 20 - B15C3A3
 EA 21 - B15C3A4
 EA 22 - B15C3A5
 EA 23 - B15C3A6
 EA 24 - B15C3A7
 EA 25 - B15C3A8
 EA 26 - B15C3A9
 EA 27 - B15C3A10
 EA 28 - B15C3A11
 EA 29 - B15C3A12
 EA 30 - B15C3A13
 EA 31 - B15C3A14
 EA 32 - B15C3A15
 EA 33 - B15C3A16
 EA 34 - B15C3A17
 EA 35 - B15C3A18
 ne - B15C3A19
 ne - B15C3A20
 CONTEXT 02 - B15C3A21
 CONTEXT 03 - B15C3A22
 CONTEXT 04 - B15C3A23
 CONTEXT 05 - B15C3A24
 CONTEXT 06 - B15C3A25
 CONTEXT 07 - B15C3A26
 CONTEXT 08 - B15C3A27
 CONTEXT 09 - B15C3A28
 CONTEXT 10 - B15C3A29
 CONTEXT 11 - B15C3A30
 CONTEXT 12 - B15C3A31
 CONTEXT 13 - B15C3A32
 CONTEXT 14 - B15C3A33
 CONTEXT 15 - B15C3A34
 CONTEXT 16 - B15C3A35
 CONTEXT 17 - B15C3A36

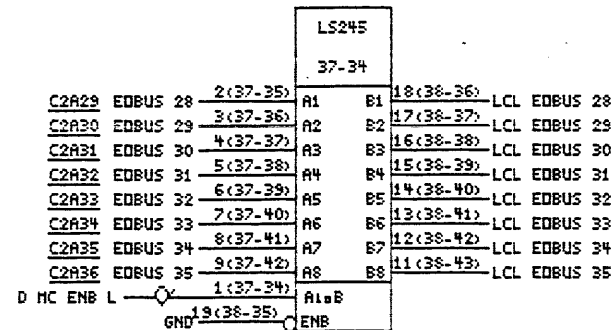
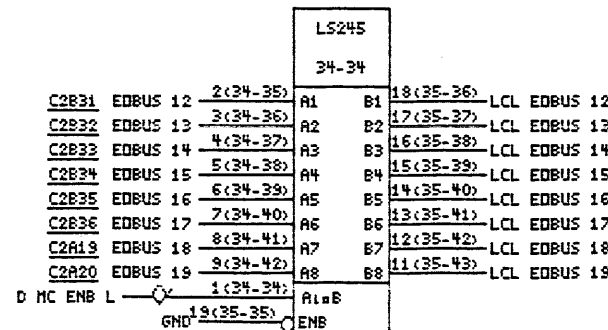
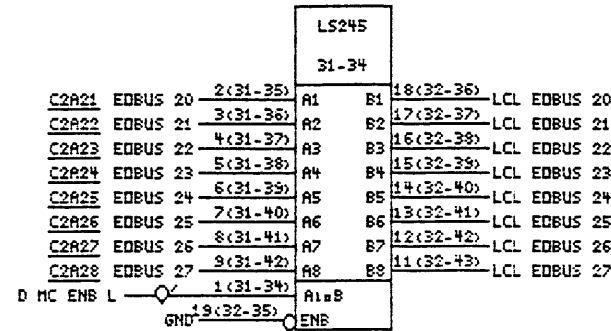
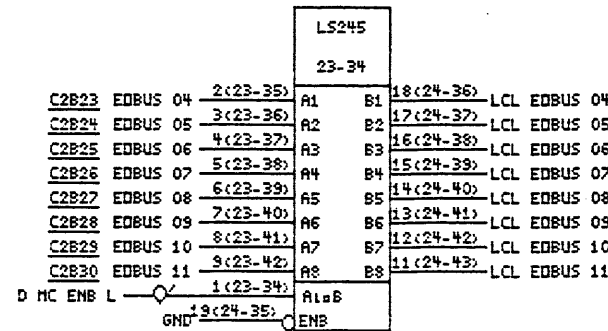
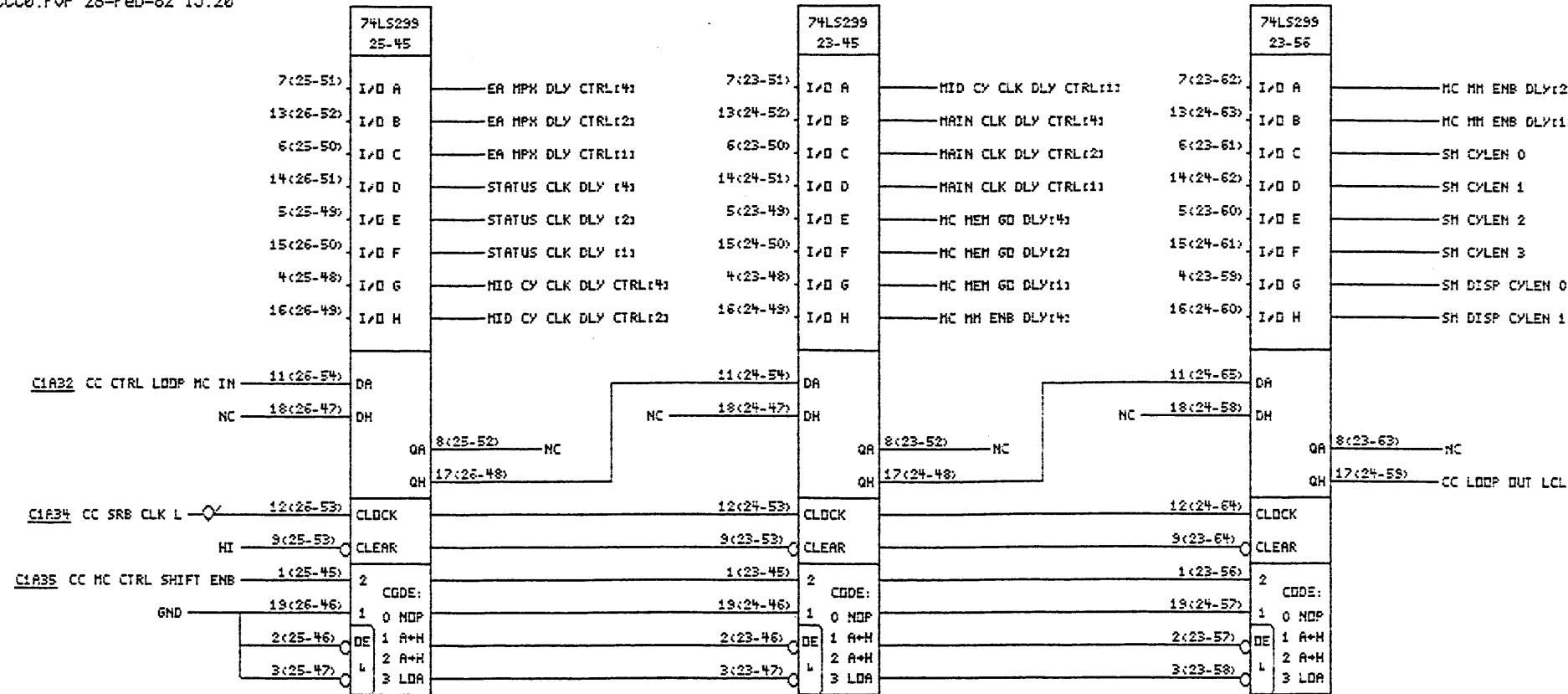
MC PMA DE L - B15C3B1
 PMA 28 F3 - B15C3B2
 PMA 29 F3 - B15C3B3
 PMA 30 F3 - B15C3B4
 PMA 31 F3 - B15C3B5
 PMA 32 F3 - B15C3B6
 PMA 33 F3 - B15C3B7
 PMA 34 F3 - B15C3B8
 PMA 35 F3 - B15C3B9
 SH HARD ECC ERR - B15C3B10
 SH ECC ERRDR - B15C3B11
 ne - B15C3B12
 ne - B15C3B13
 ne - B15C3B14
 ne - B15C3B15
 MI D(01) ; TWIST - B15C3B16
 MI D(02) ; TWIST - B15C3B17
 MC WAITING ; TWIST - B15C3B18
 MC DF WAIT L - B15C3B19
 MI D(04) ; TWIST - B15C3B20
 D MC ENB L - B15C3B21
 EAH/PMA 00 - B15C3B22
 EAH/PMA 01 - B15C3B23
 EAH/PMA 02 - B15C3B24
 EAH/PMA 03 - B15C3B25
 EAH/PMA 04 - B15C3B26
 EAH/PMA 05 - B15C3B27
 EAH/PMA 06 - B15C3B28
 EAH/PMA 07 - B15C3B29
 EAH/PMA 08 - B15C3B30
 EAH/PMA 09 - B15C3B31
 EAH/PMA 10 - B15C3B32
 EAH/PMA 11 - B15C3B33
 EAH/PMA 12 - B15C3B34
 EAH/PMA 13 - B15C3B35
 EAH/PMA 14 - B15C3B36

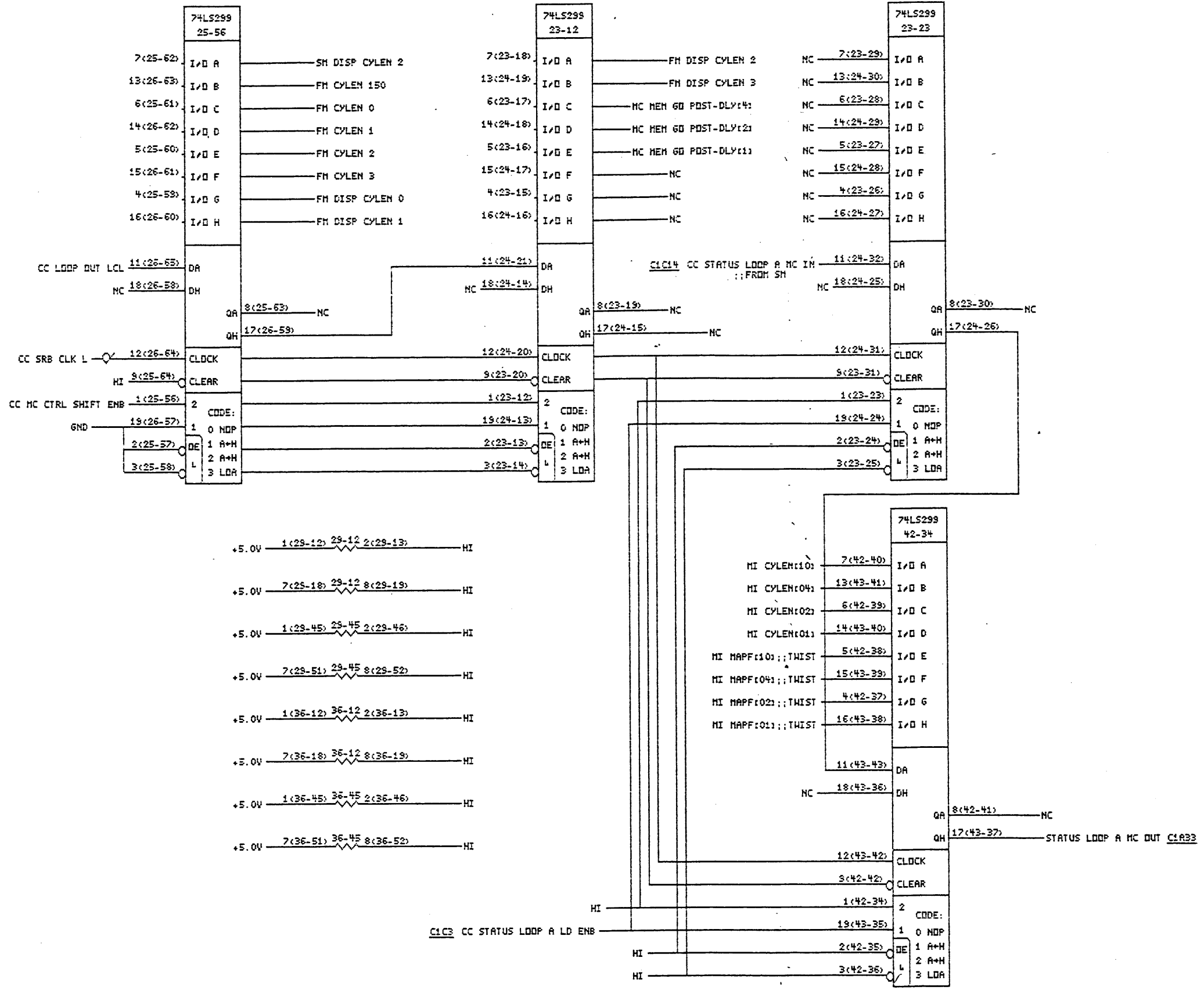
MC; ** - B15C3C1
 MC; ** - B15C3C2
 MC; ** - B15C3C3
 MC IOB-DUT RQ ; TWIST - B15C3C4
 MC EA MPX CTRL ; TWIST - B15C3C5
 SH EXEC - B15C3C6
 MC; ** - B15C3C7
 MC; ** - B15C3C8
 MC; ** - B15C3C9
 MC DMA CY ; TWIST - B15C3C10
 DEST MC ENB L ; TWIST - B15C3C11
 MC WAITING L ; TWIST - B15C3C12
 MC; ** - B15C3C13
 MC; ** - B15C3C14
 MC; ** - B15C3C15
 MC C3 MAP CLK ; TWIST - B15C3C16
 T-75 ; TWIST - B15C3C17
 C3 CLK L ; TWIST - B15C3C18
 MC; ** - B15C3C19
 MC; ** - B15C3C20
 MC; ** - B15C3C21
 DIRM: L ; TWIST - B15C3C22
 ne - B15C3C23
 ne - B15C3C24
 MC; ** - B15C3C25
 MC; ** - B15C3C26
 MC; ** - B15C3C27
 SPC CDHST 1,1 ; TWIST - B15C3C28
 MI SPC(01) ; TWIST - B15C3C29
 MI SPC(02) ; TWIST - B15C3C30
 MC; ** - B15C3C31
 MC; ** - B15C3C32
 MC; ** - B15C3C33
 MI SPC(04) ; TWIST - B15C3C34
 MI SPC(10) - B15C3C35
 SPC MC ENB L - B15C3C36

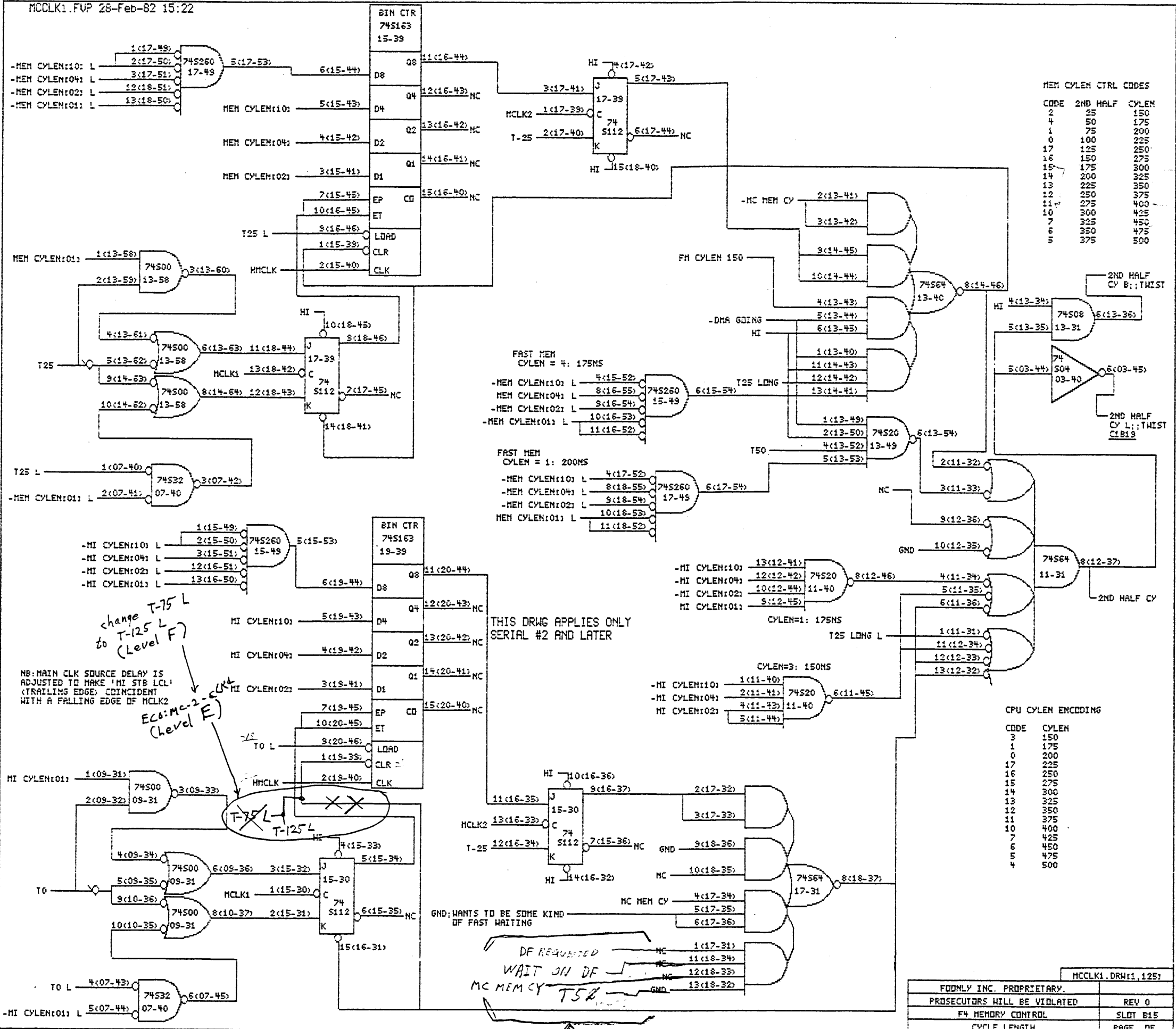
MC; ** - B15C3D1
 MC; ** - B15C3D2
 MC; ** - B15C3D3
 MC PMA SEL MAP L - B15C3D4
 DMA WRT RQ - B15C3D5
 SOME RQ L - B15C3D6
 ne - B15C3D7
 MC; ** - B15C3D8
 MC; ** - B15C3D9
 IOB STB CLK ; TWIST - B15C3D10
 IOB OUT STB ; TWIST - B15C3D11
 BUS RQ STB ; TWIST - B15C3D12
 MC; ** - B15C3D13
 MC; ** - B15C3D14
 MC; ** - B15C3D15
 SEL MEM W FROM IDD ; TWIST - B15C3D16
 CC ENB FBUS CTRL L - B15C3D17
 C2 CLK L ; TWIST - B15C3D18
 MC; ** - B15C3D19
 MC; ** - B15C3D20
 MC; ** - B15C3D21
 ne - B15C3D22
 ne - B15C3D23
 ne - B15C3D24
 MC; ** - B15C3D25
 MC; ** - B15C3D26
 MC; ** - B15C3D27
 ENB IDD FROM CDR MEM L ; TWIST - B15C3D28
 MC DMA RD CY L - B15C3D29
 MC CPU RD CY - B15C3D30
 MC; ** - B15C3D31
 MC; ** - B15C3D32
 MC; ** - B15C3D33
 MC DEST(01) ; TWIST - B15C3D34
 MC DEST(02) ; TWIST - B15C3D35
 MC DEST(04) ; TWIST - B15C3D36

MC; ** - B15C3E1
 MC; ** - B15C3E2
 MC; ** - B15C3E3
 MC; ** - B15C3E4
 MC; ** - B15C3E5
 MC; ** - B15C3E6
 MC; ** - B15C3E7
 MC; ** - B15C3E8
 MC; ** - B15C3E9
 MC; ** - B15C3E10
 MC; ** - B15C3E11
 MC; ** - B15C3E12
 MC; ** - B15C3E13
 MC; ** - B15C3E14
 MC; ** - B15C3E15
 MC; ** - B15C3E16
 MC; ** - B15C3E17
 MC; ** - B15C3E18
 MC; ** - B15C3E19
 MC; ** - B15C3E20
 MC; ** - B15C3E21
 MC; ** - B15C3E22
 MC; ** - B15C3E23
 MC; ** - B15C3E24
 MC; ** - B15C3E25
 MC; ** - B15C3E26
 MC; ** - B15C3E27
 MC; ** - B15C3E28
 MC; ** - B15C3E29
 MC; ** - B15C3E30
 MC; ** - B15C3E31
 MC; ** - B15C3E32
 MC; ** - B15C3E33
 MC; ** - B15C3E34
 MC; ** - B15C3E35
 MC; ** - B15C3E36

ENAME.DRAW(1,111)	
SITE1	REV
SITE2	CARDLOC
TITLE1	
TITLE2	PAGE OF







MEM CYLEN CTRL CODES

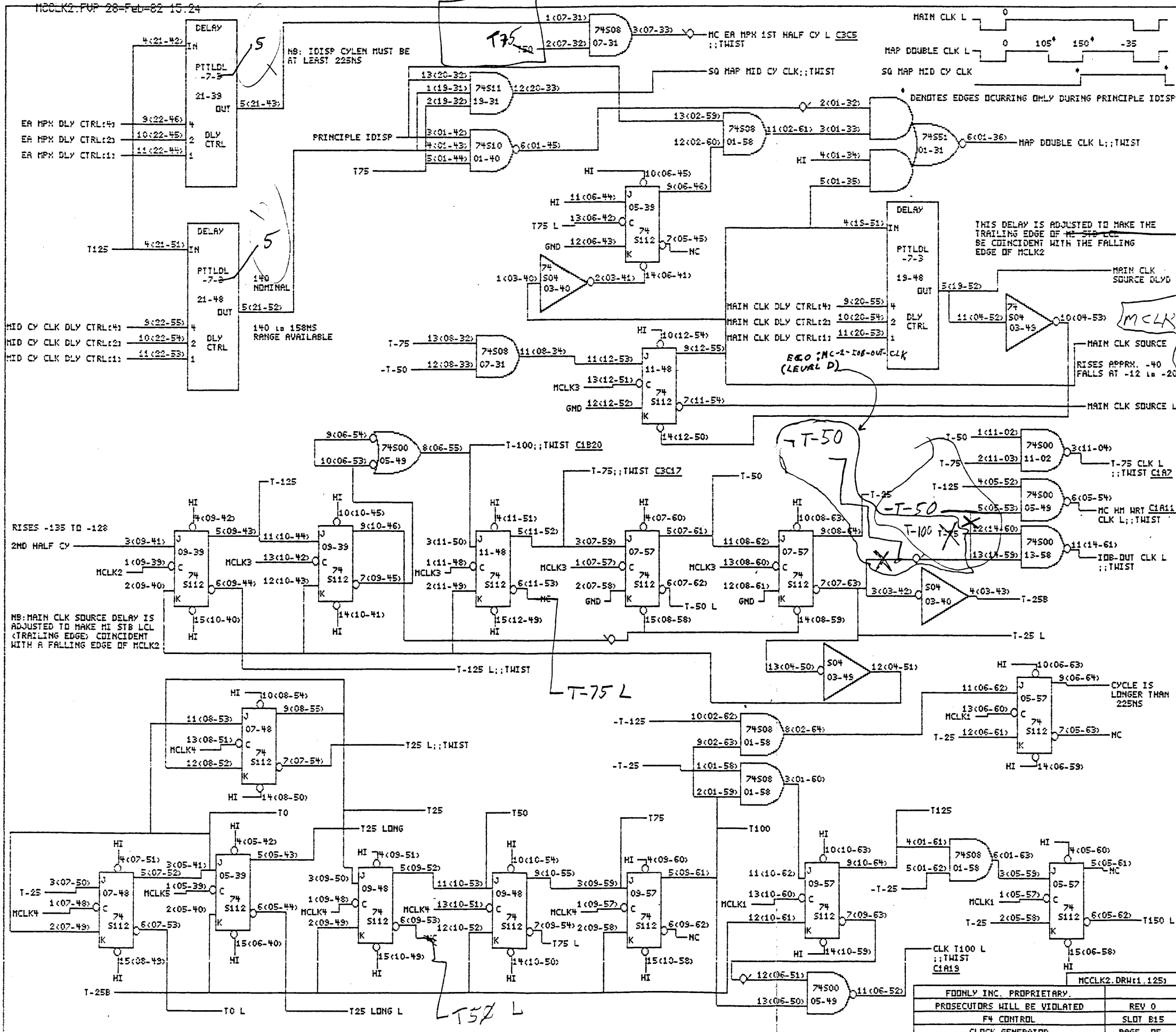
CODE	2ND HALF	CYLEN
2	25	150
4	50	175
1	75	200
0	100	225
17	125	250
16	150	275
15	175	300
14	200	325
13	225	350
12	250	375
11	275	400
10	300	425
7	325	450
6	350	475
5	375	500

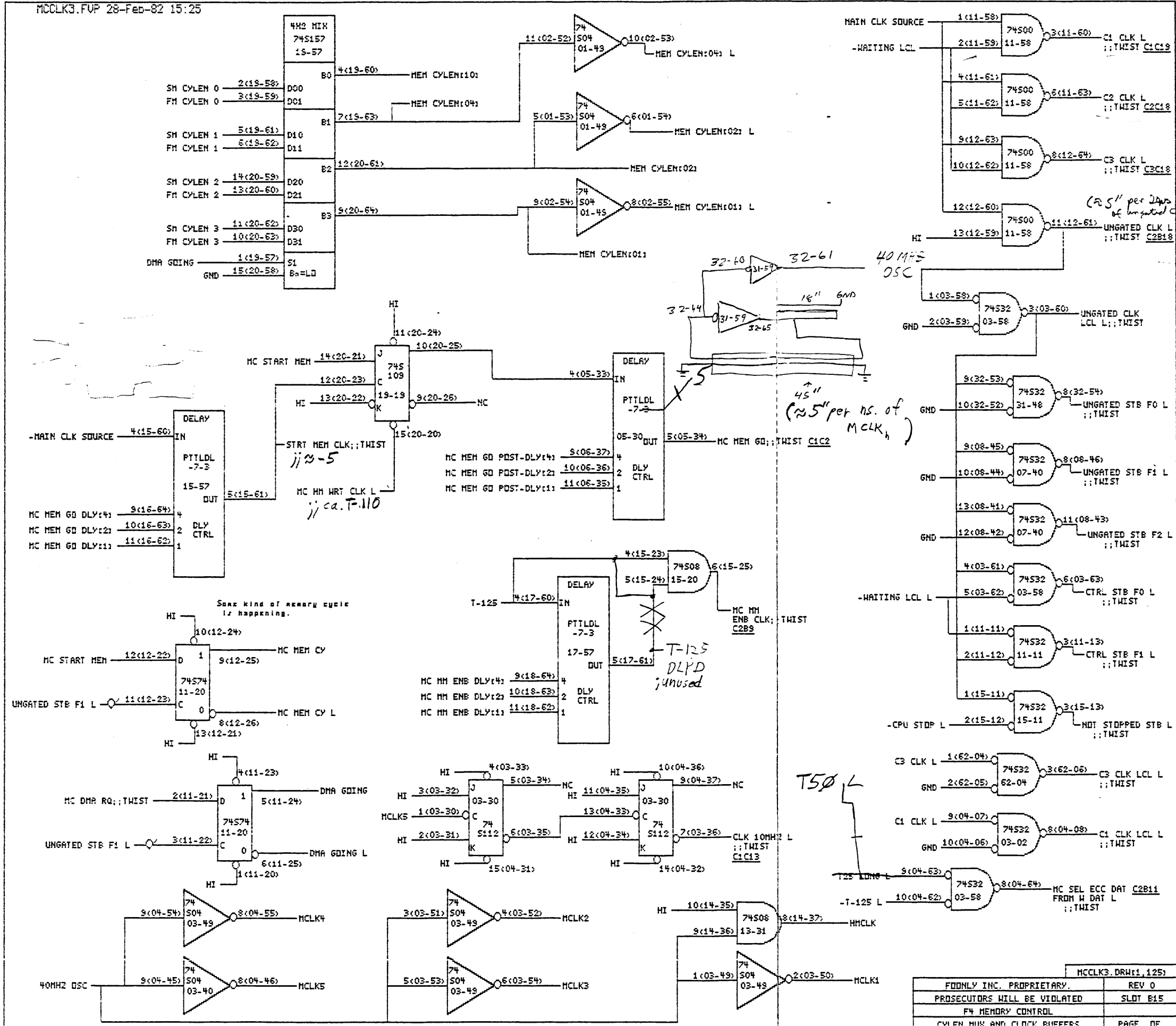
CPU CYLEN ENCODING

CODE	CYLEN
3	150
1	175
0	200
17	225
16	250
15	275
14	300
13	325
12	350
11	375
10	400
7	425
6	450
5	475
4	500

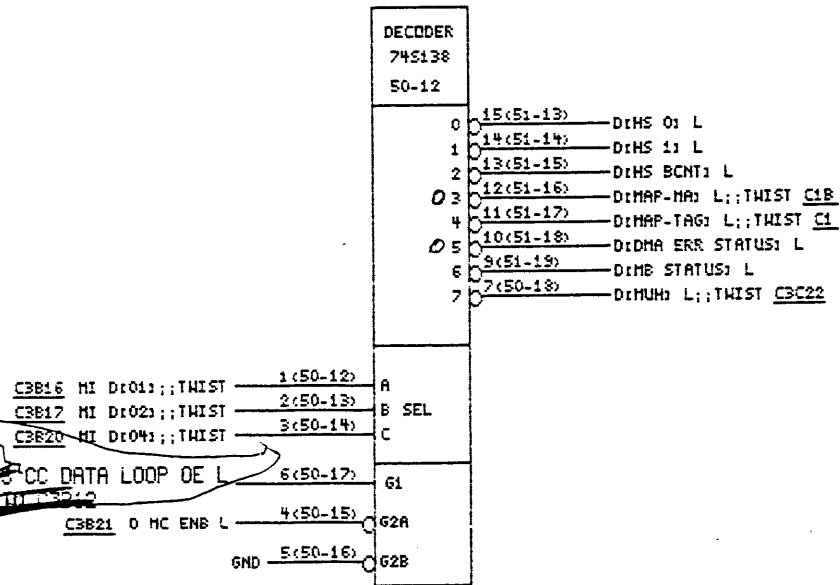
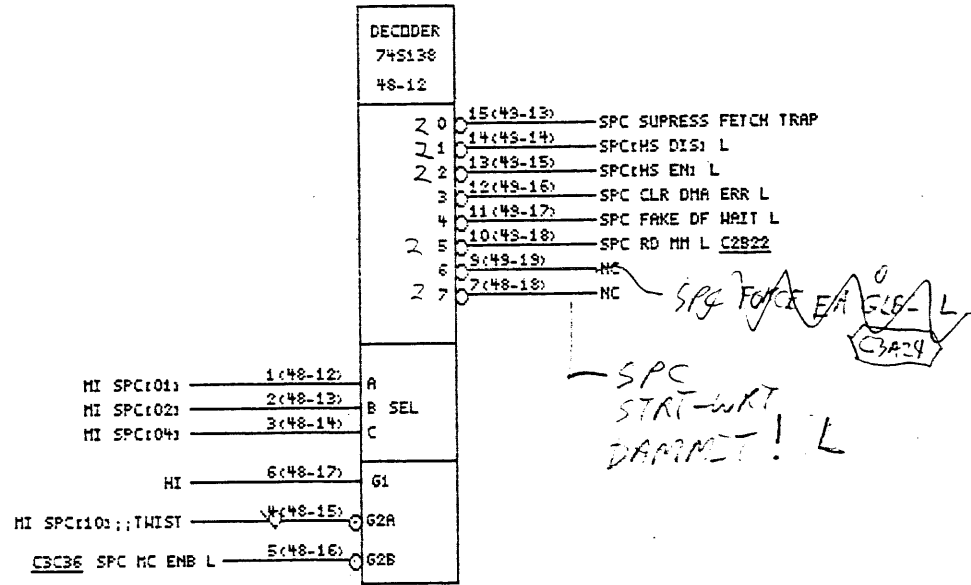
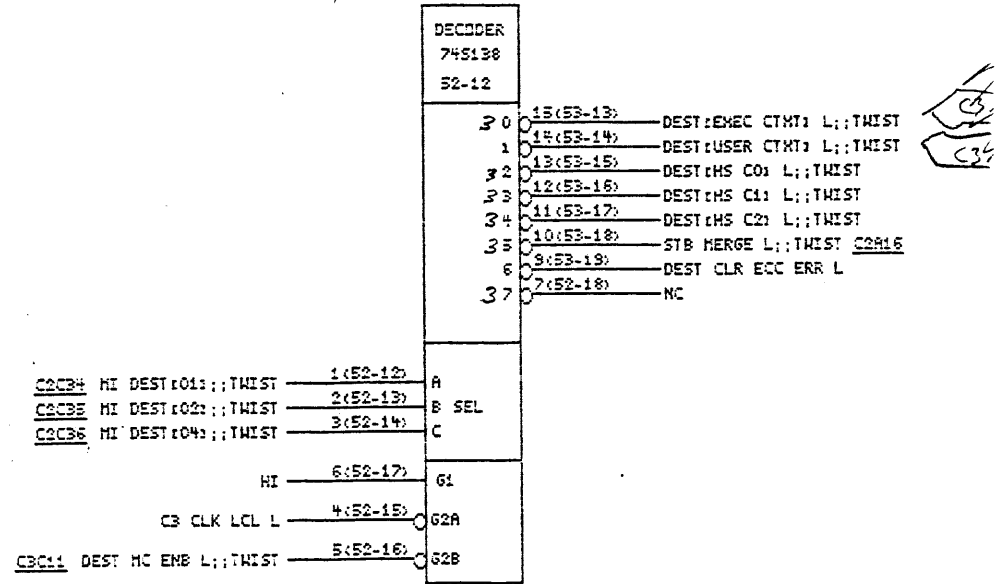
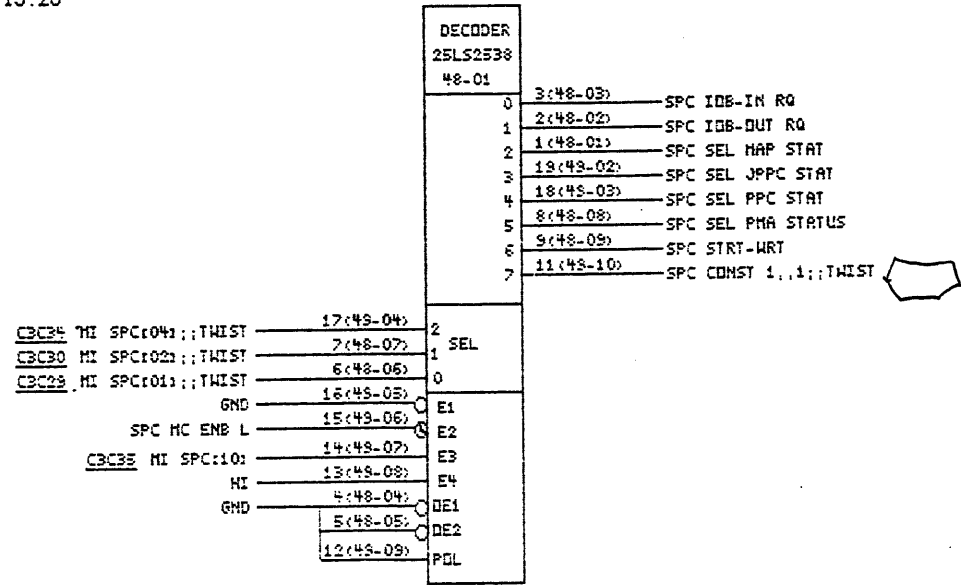
ECO:MC-2-EAMUX (LEVEL D)

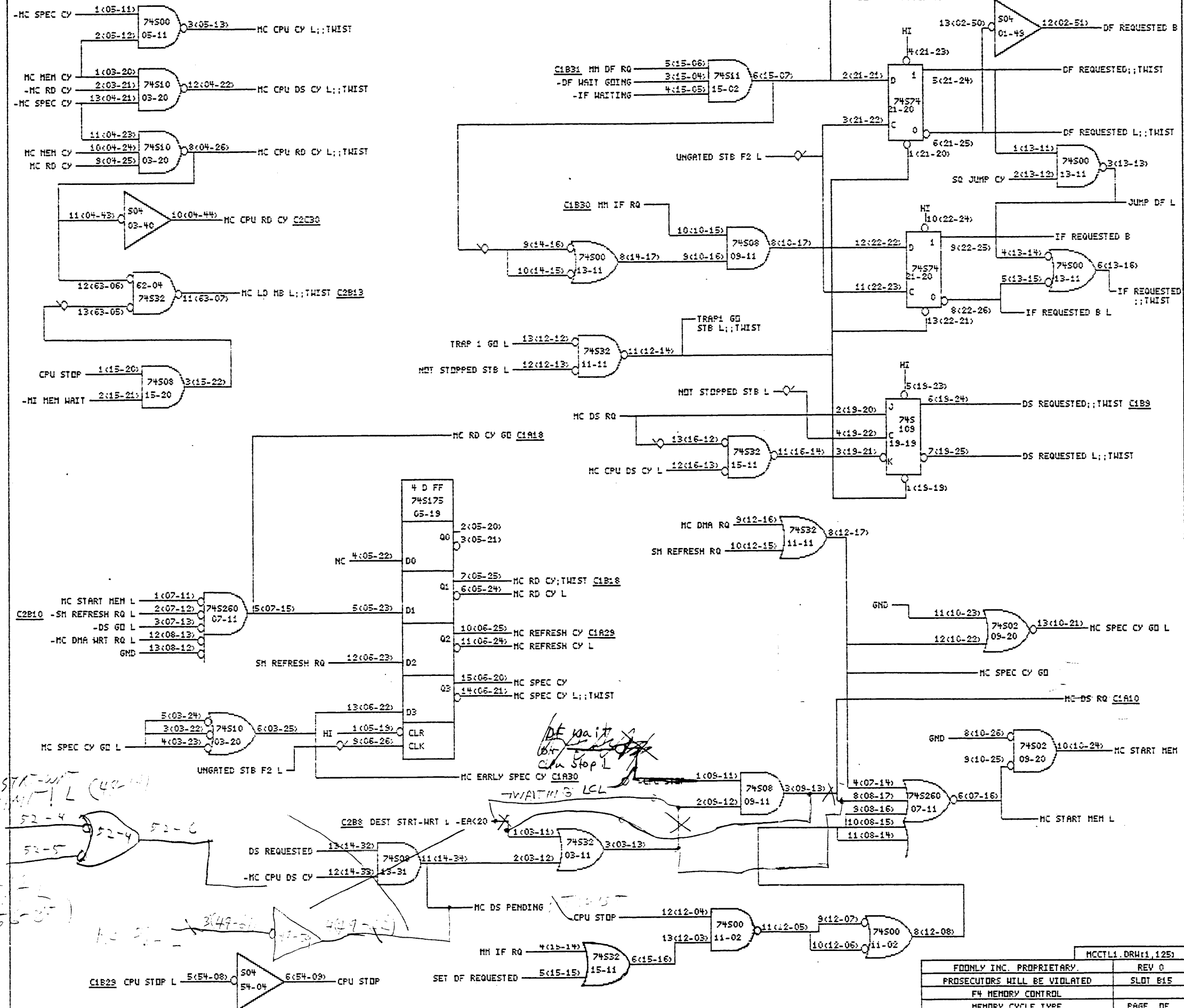
MCLK2.FWP 28-FEB-82 15.24



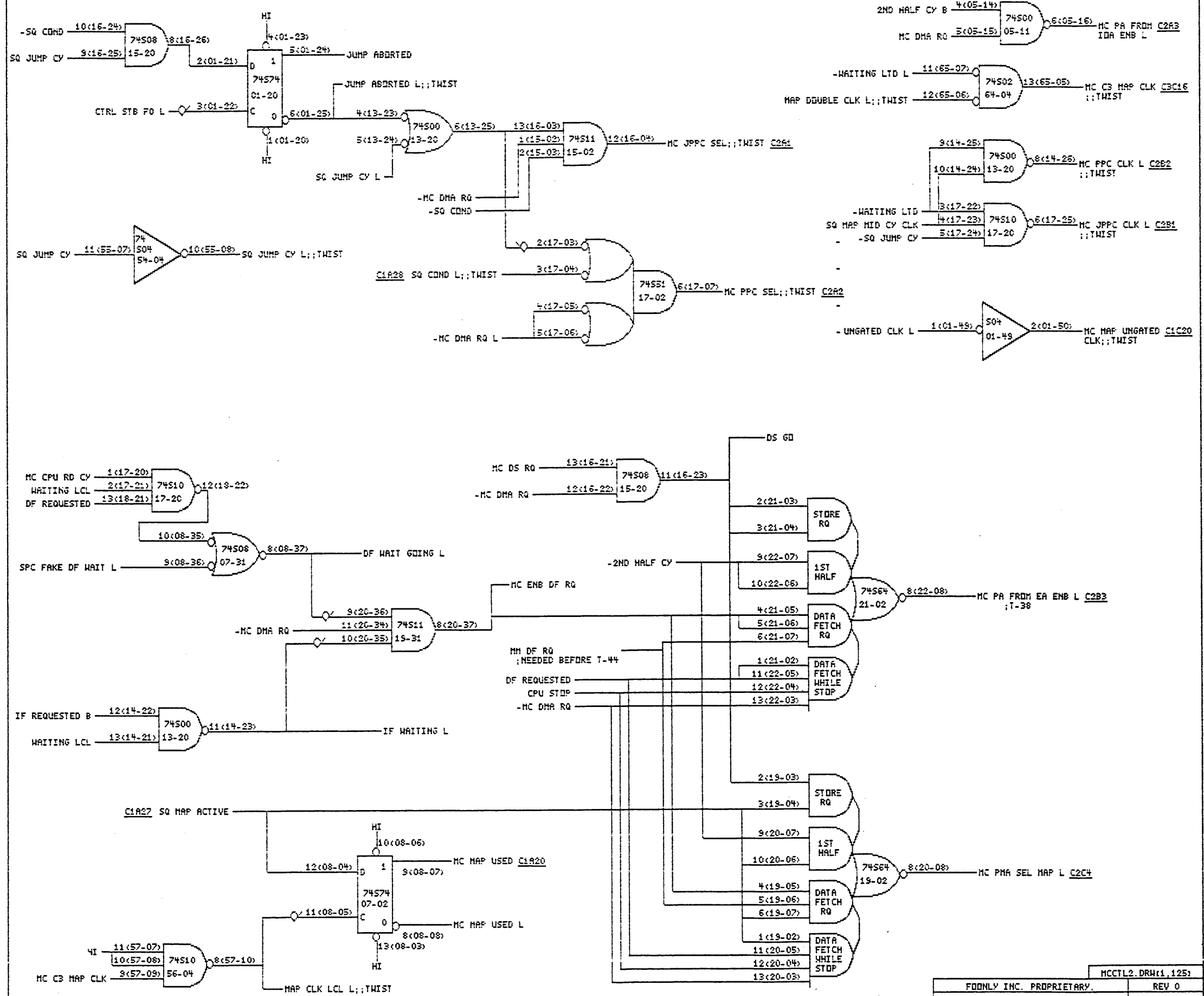


MCCLK3.DRW(1,125)	
FOONLY INC. PROPRIETARY.	REV 0
PROSECUTORS WILL BE VIOLATED	SLOT B15
F4 MEMORY CONTROL	
CYCLEN NUM AND CLOCK BUFFERS	PAGE 0F

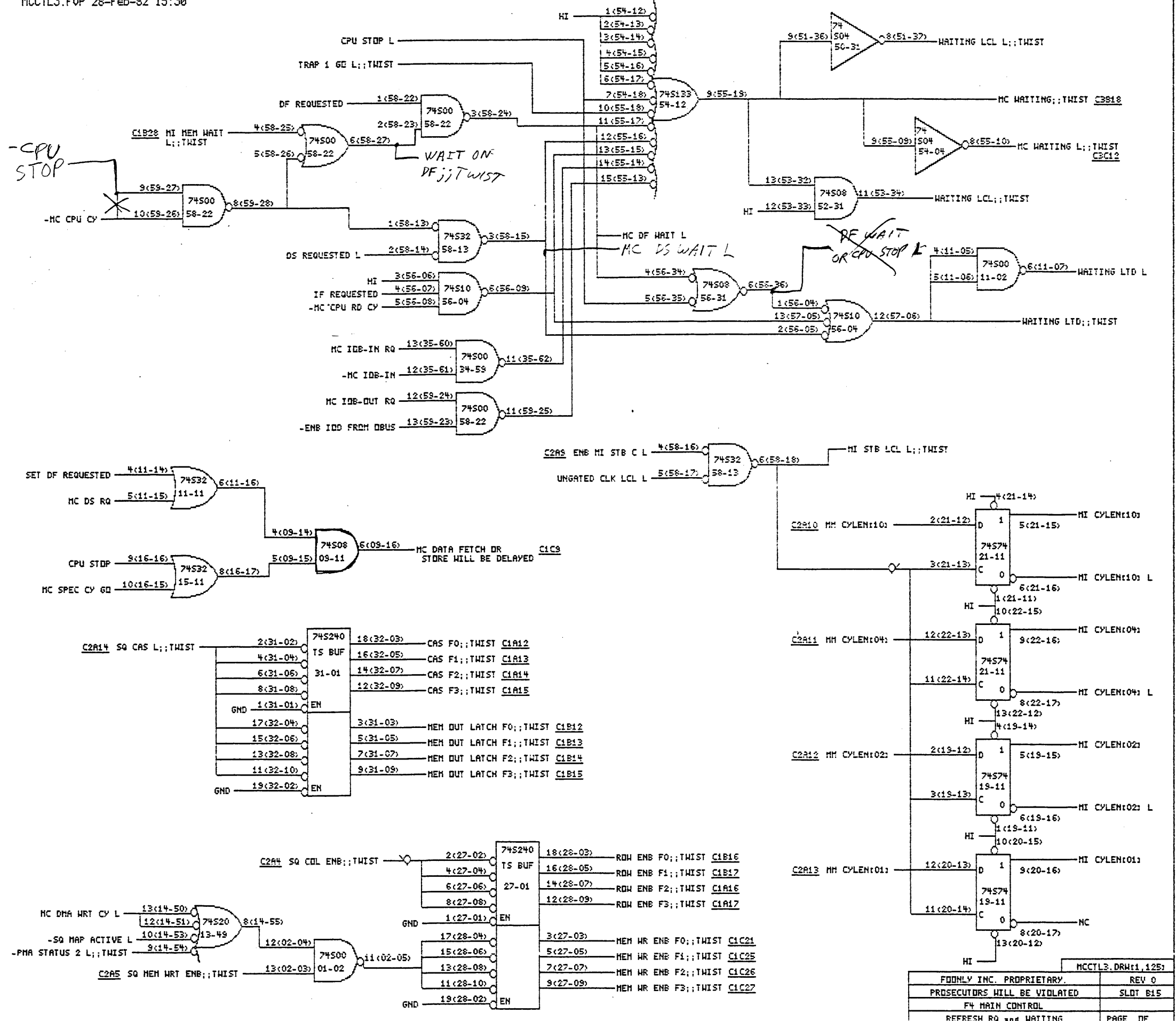




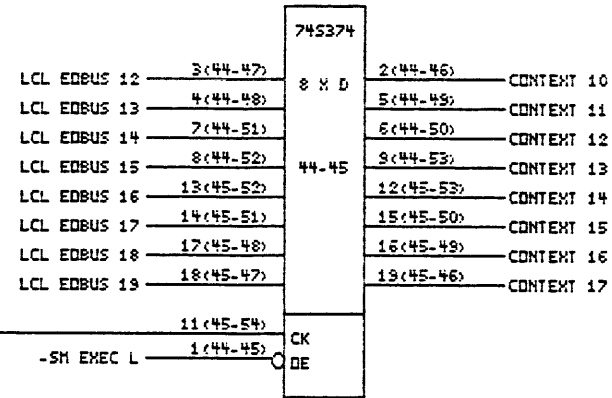
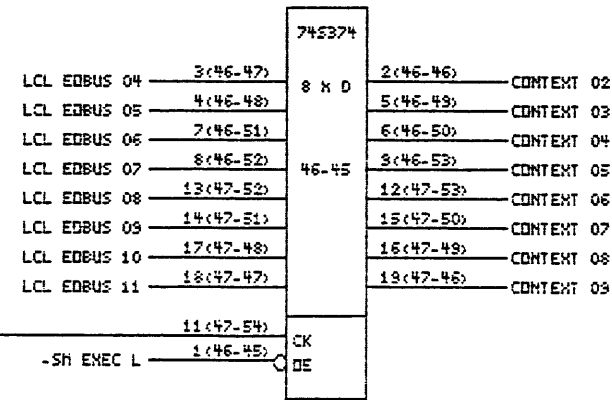
Handwritten notes:
 PC START-UP
 DATA L (40-14)
 52-4
 52-5
 HC 2
 (55-35)
 HC 2
 3(49-01)
 4(49-11)



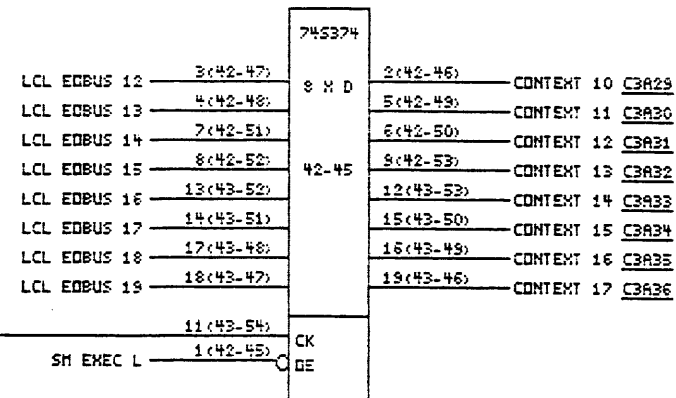
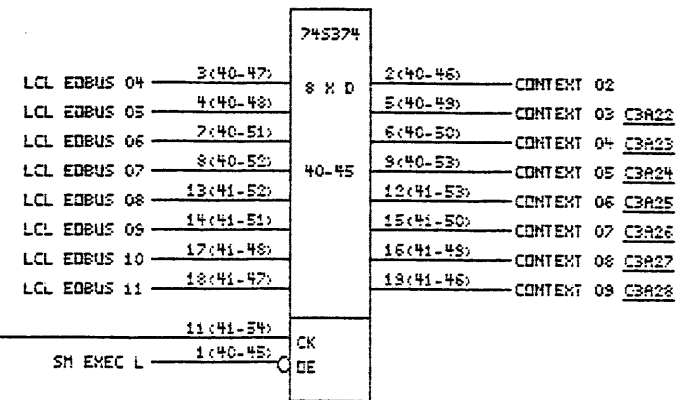
MCCTL2.DRM(1,125)	
FOONLY INC. PROPRIETARY.	REV 0
PROSECUTORS WILL BE VIOLATED	SLOT B15
F# CONTROL	
MAP ENABLES, CLOCKS	PAGE 0F



USER CONTEXT REGISTER



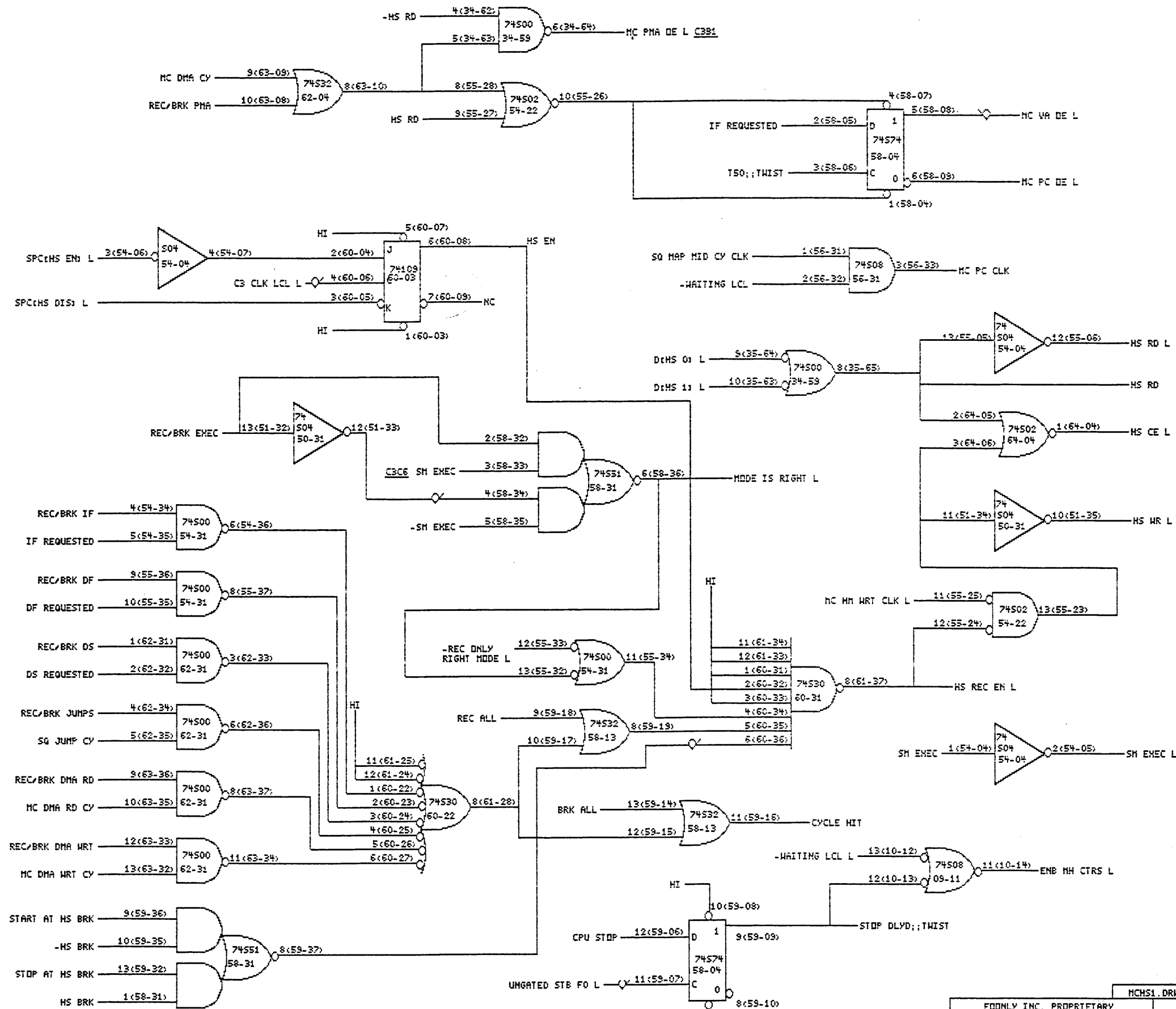
EXEC CONTEXT REGISTER



*6025
AUNT
IN Ver. H*

DEST:USER CTXT: L

DEST:EXEC CTXT: L

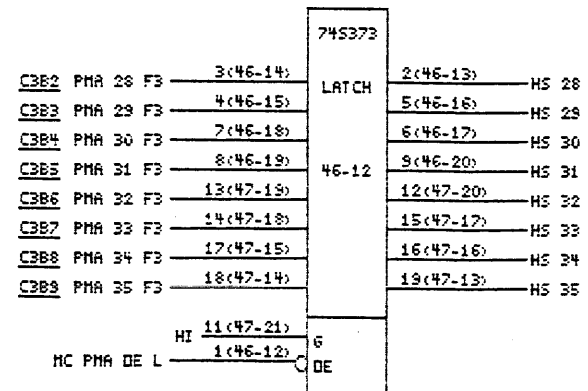
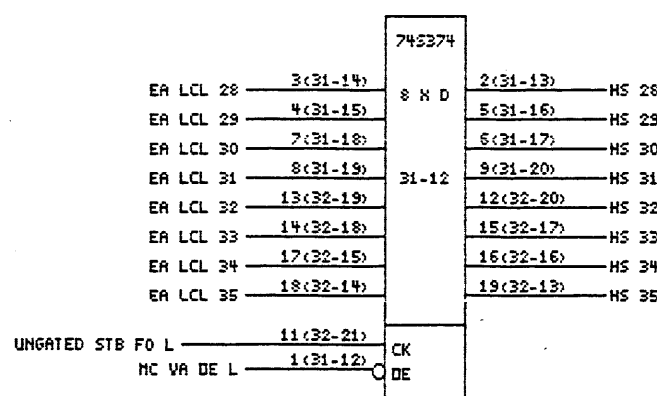
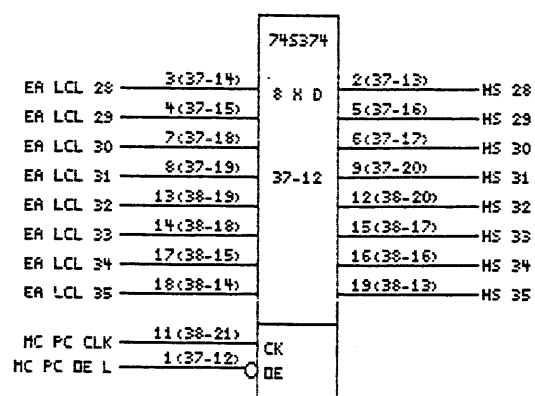
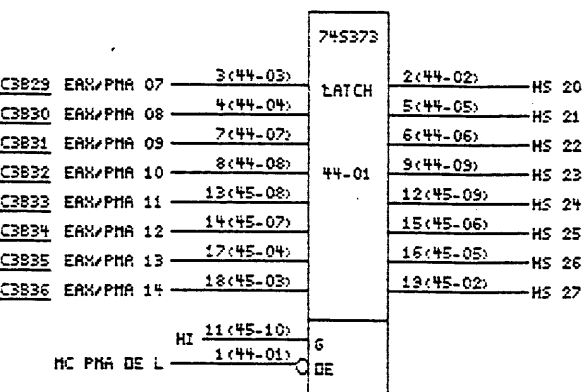
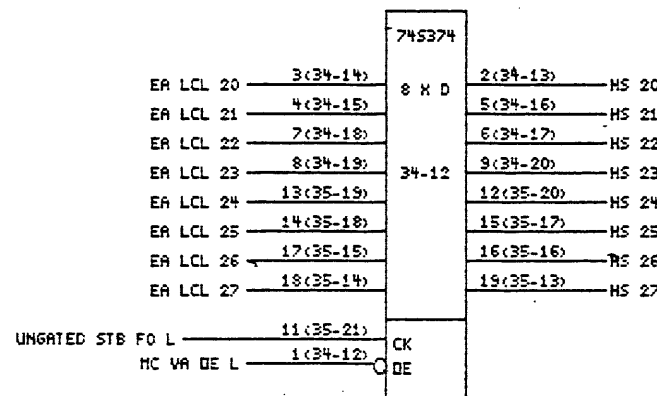
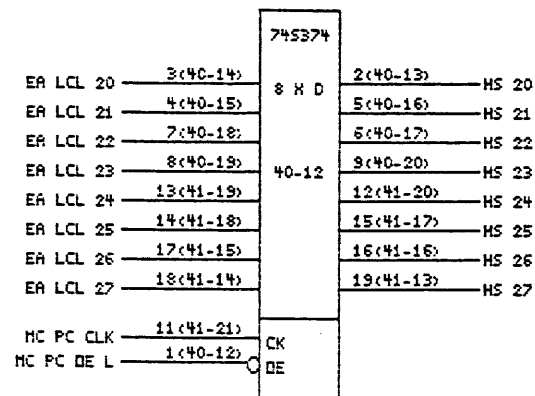
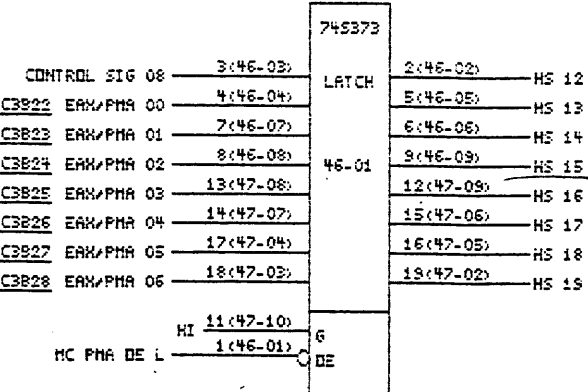
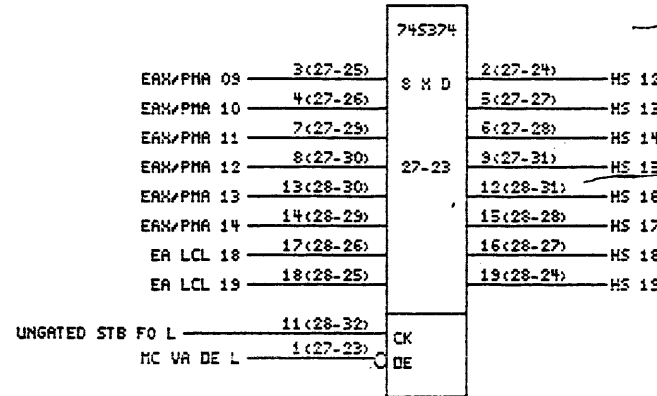
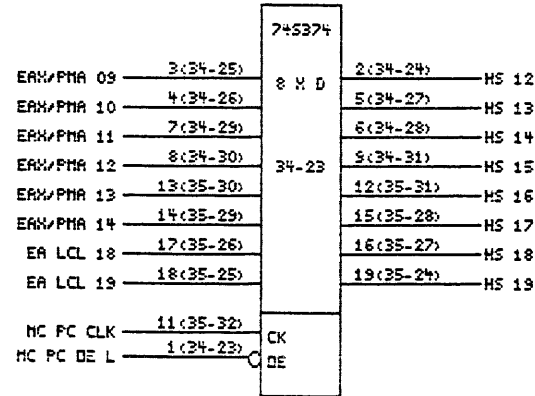
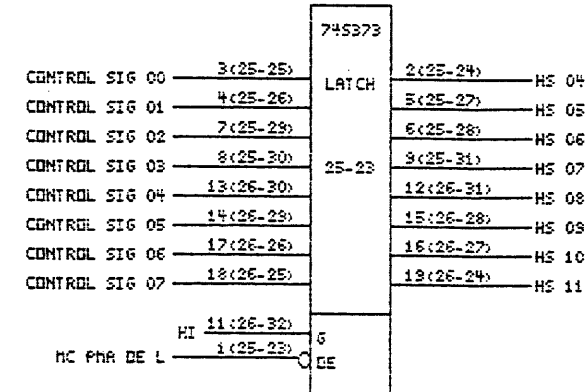
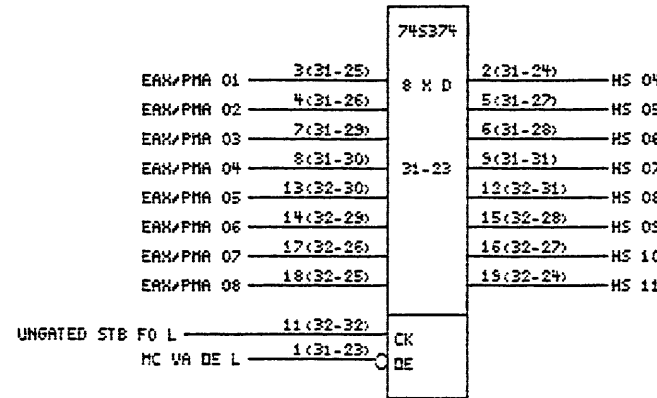
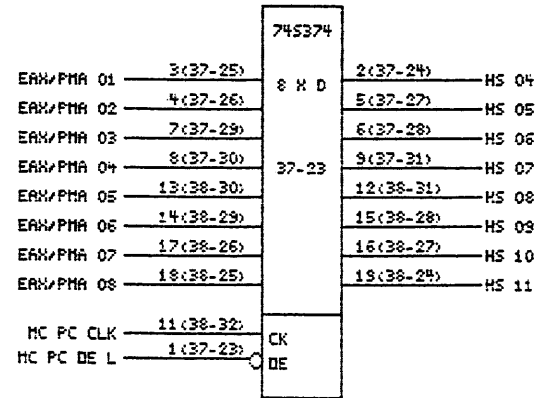


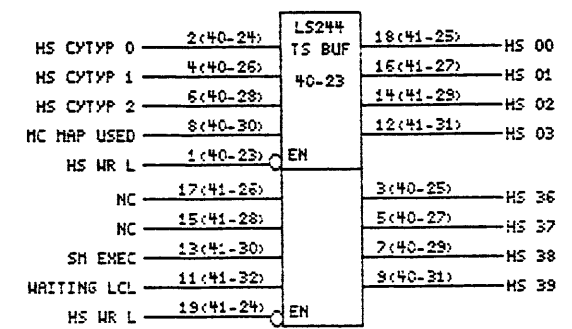
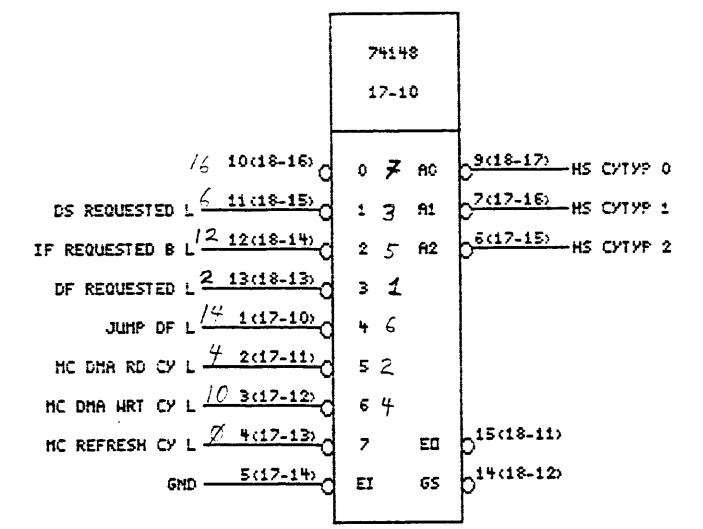
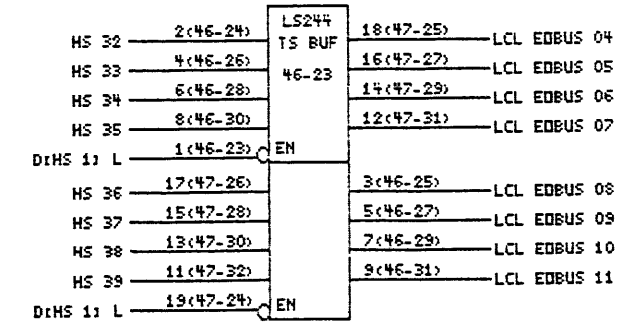
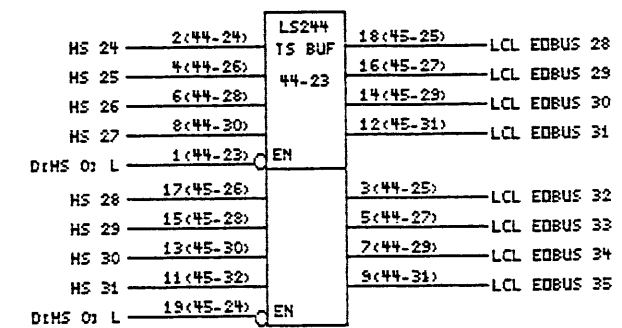
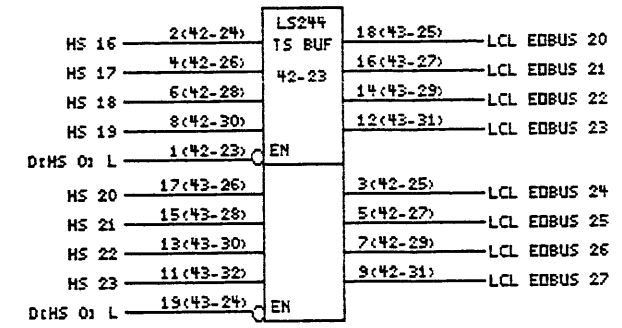
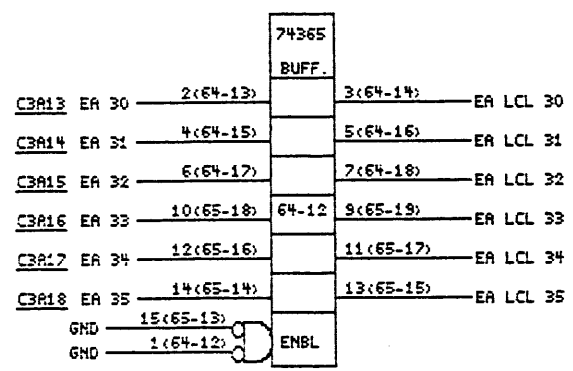
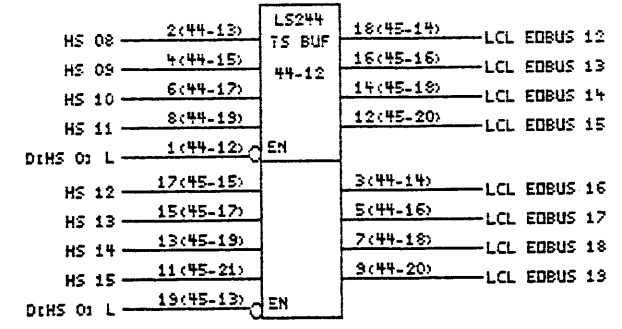
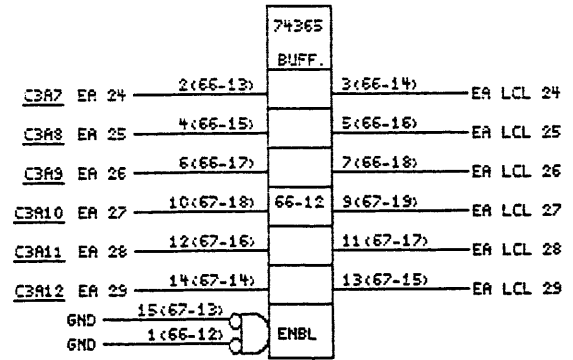
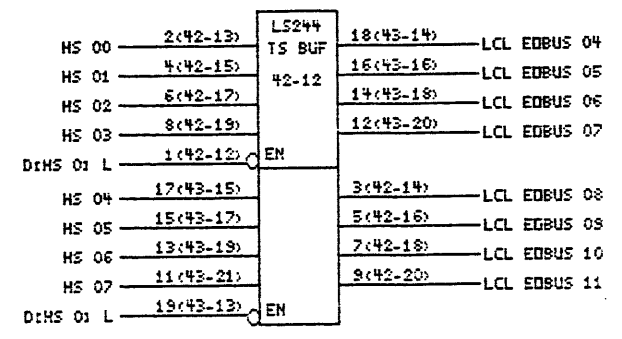
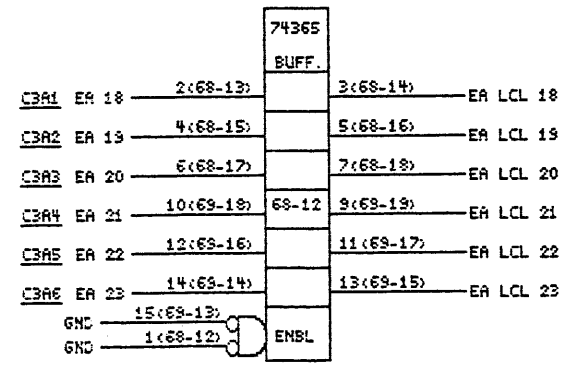
THIS DIP IS IN 37-59 ON MC41

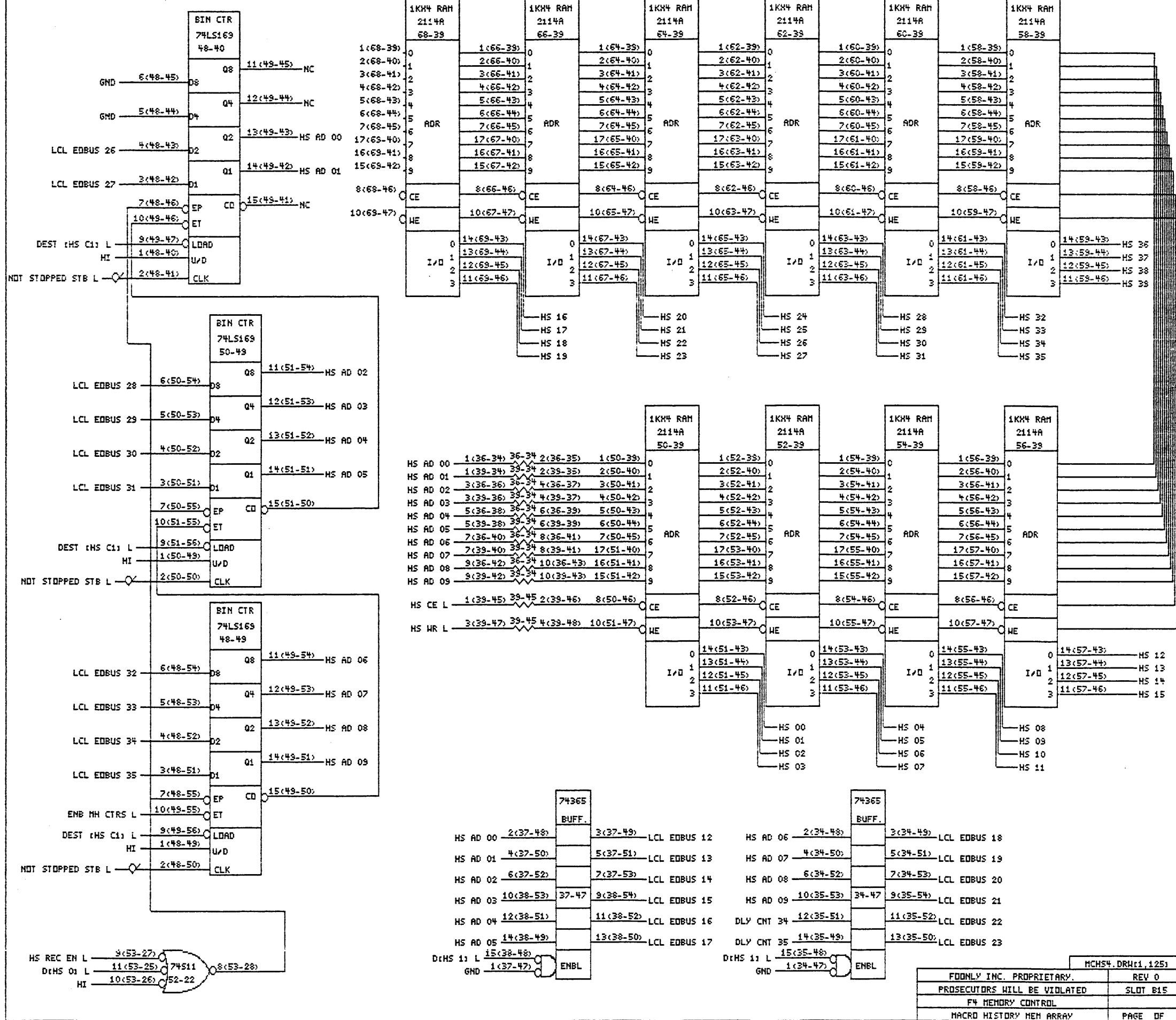
MCHS1.DRW11.125	
FOONLY INC. PROPRIETARY.	REV 0
PROSECUTORS WILL BE VIOLATED	SLOT B15
F4 MEMORY CONTROL	
MACRO HISTORY	PAGE 0F

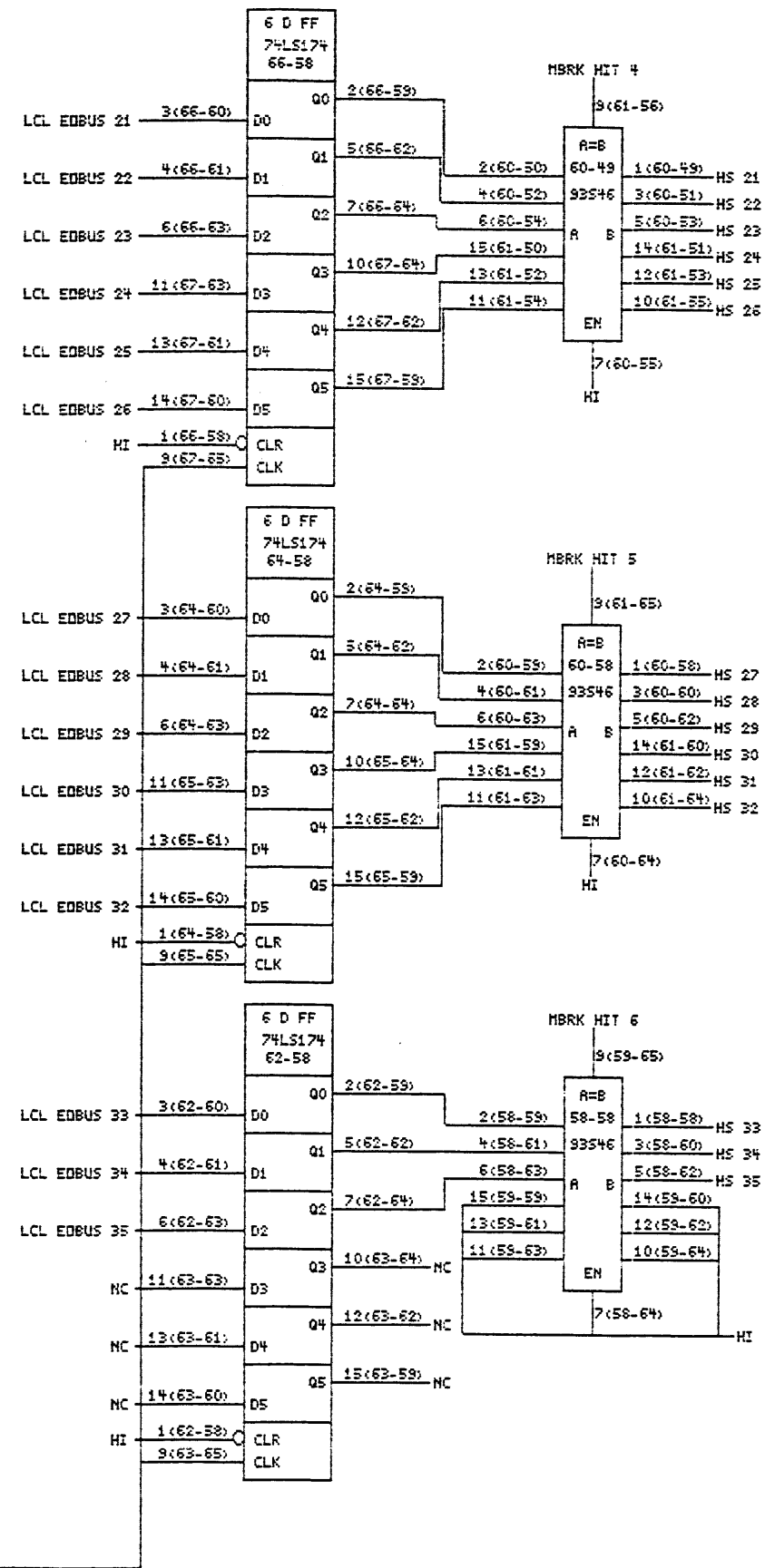
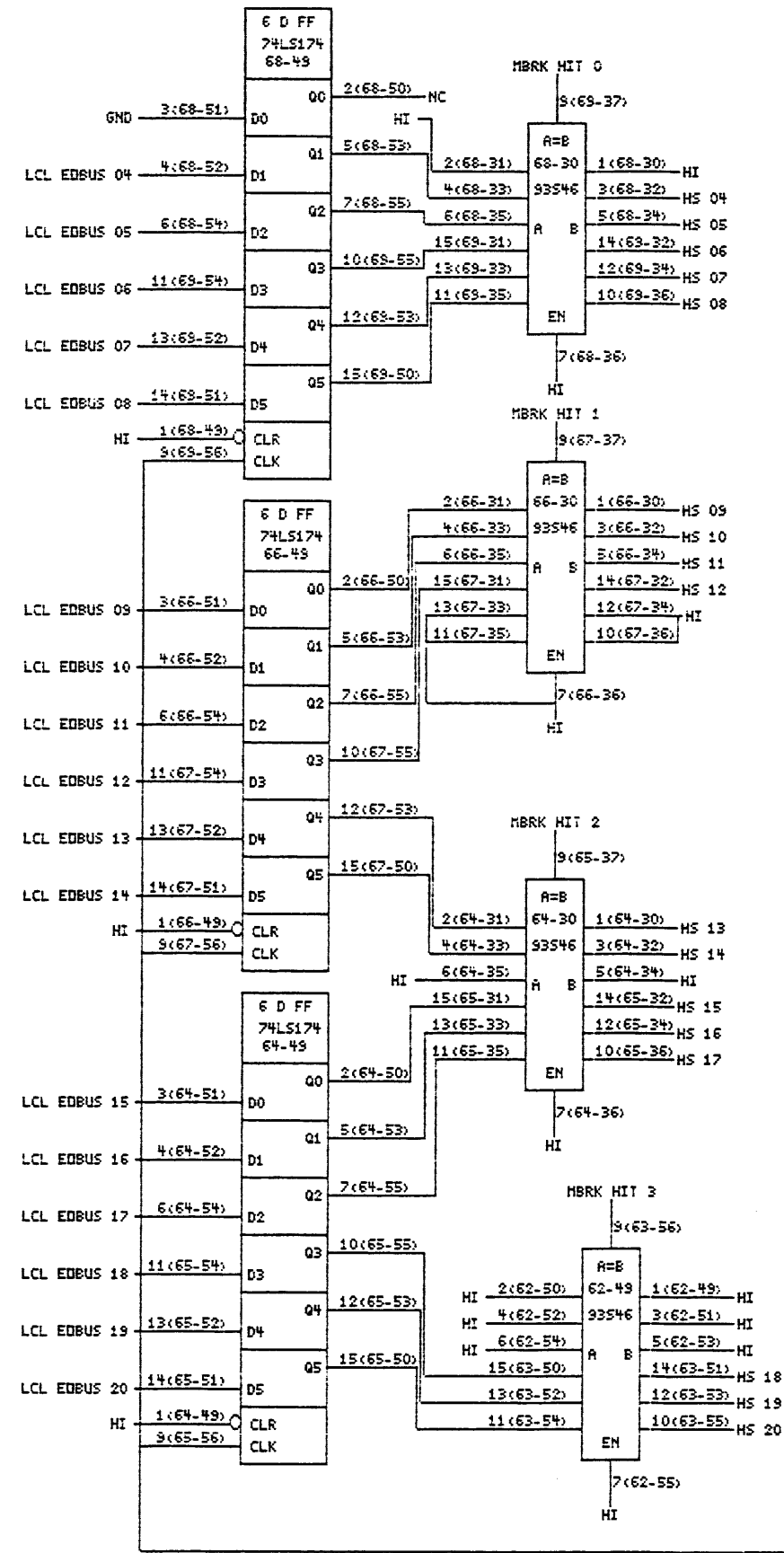
MC PC Register

MC VA Register

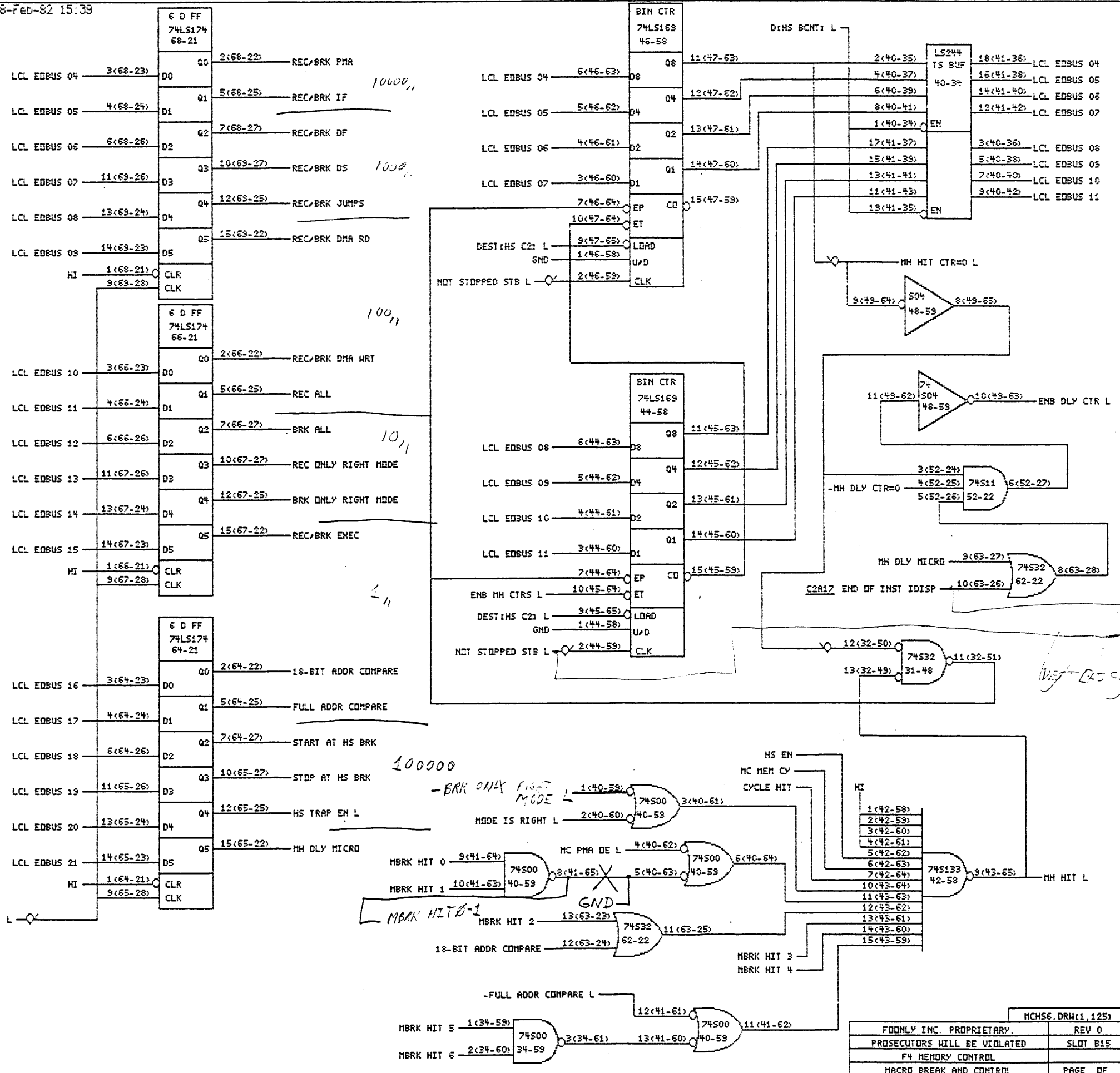


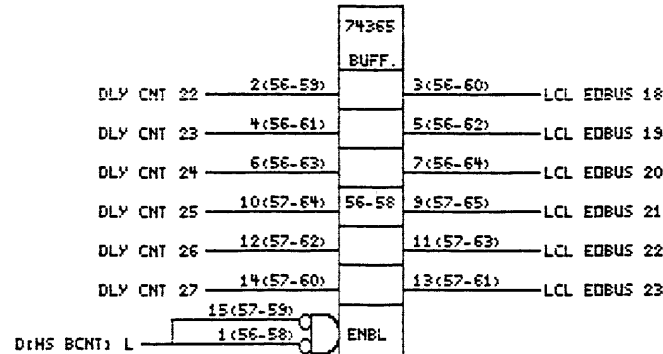
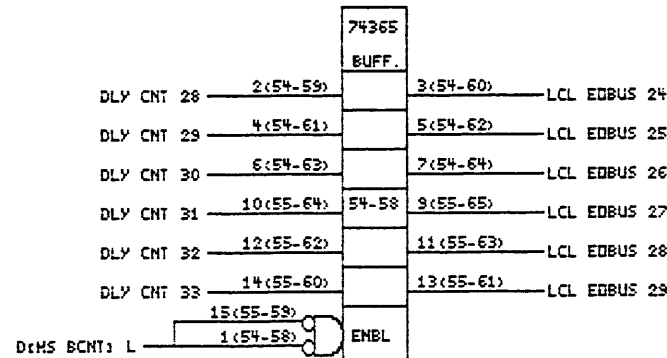
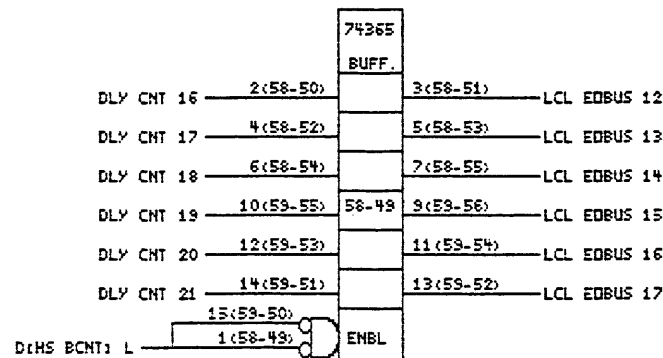
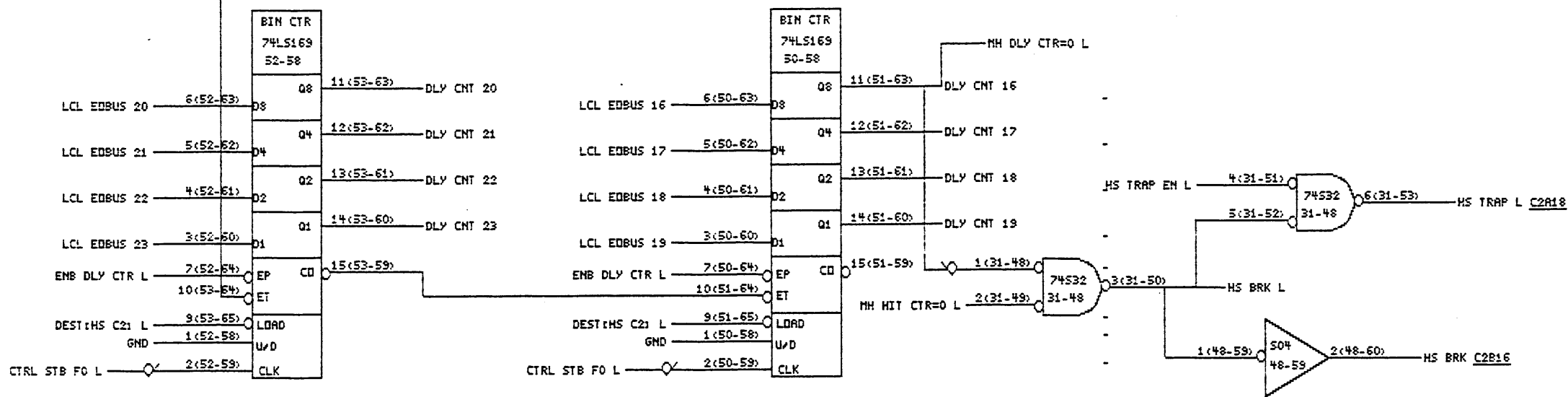
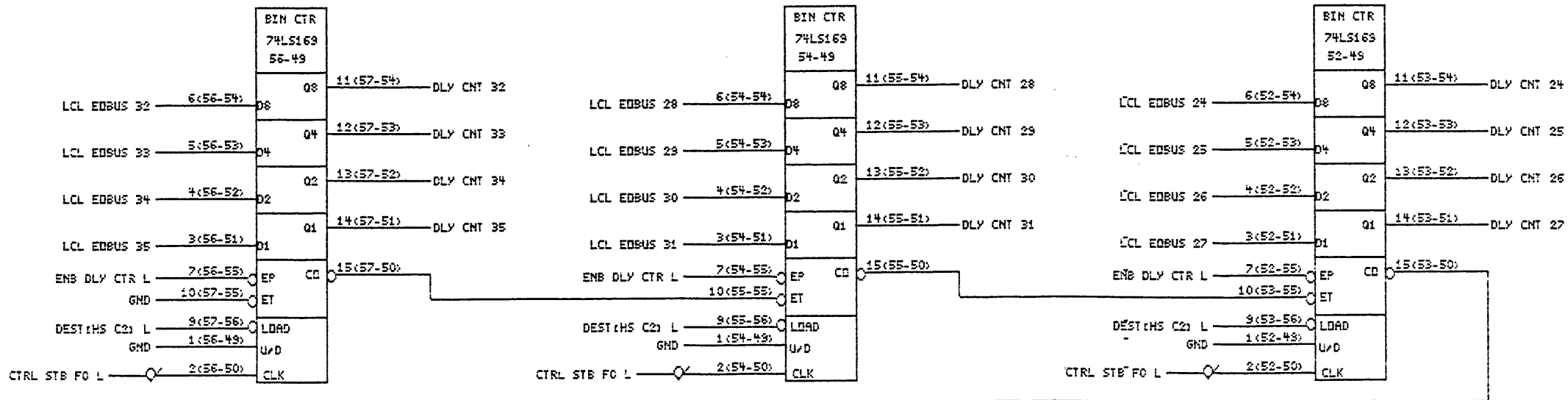




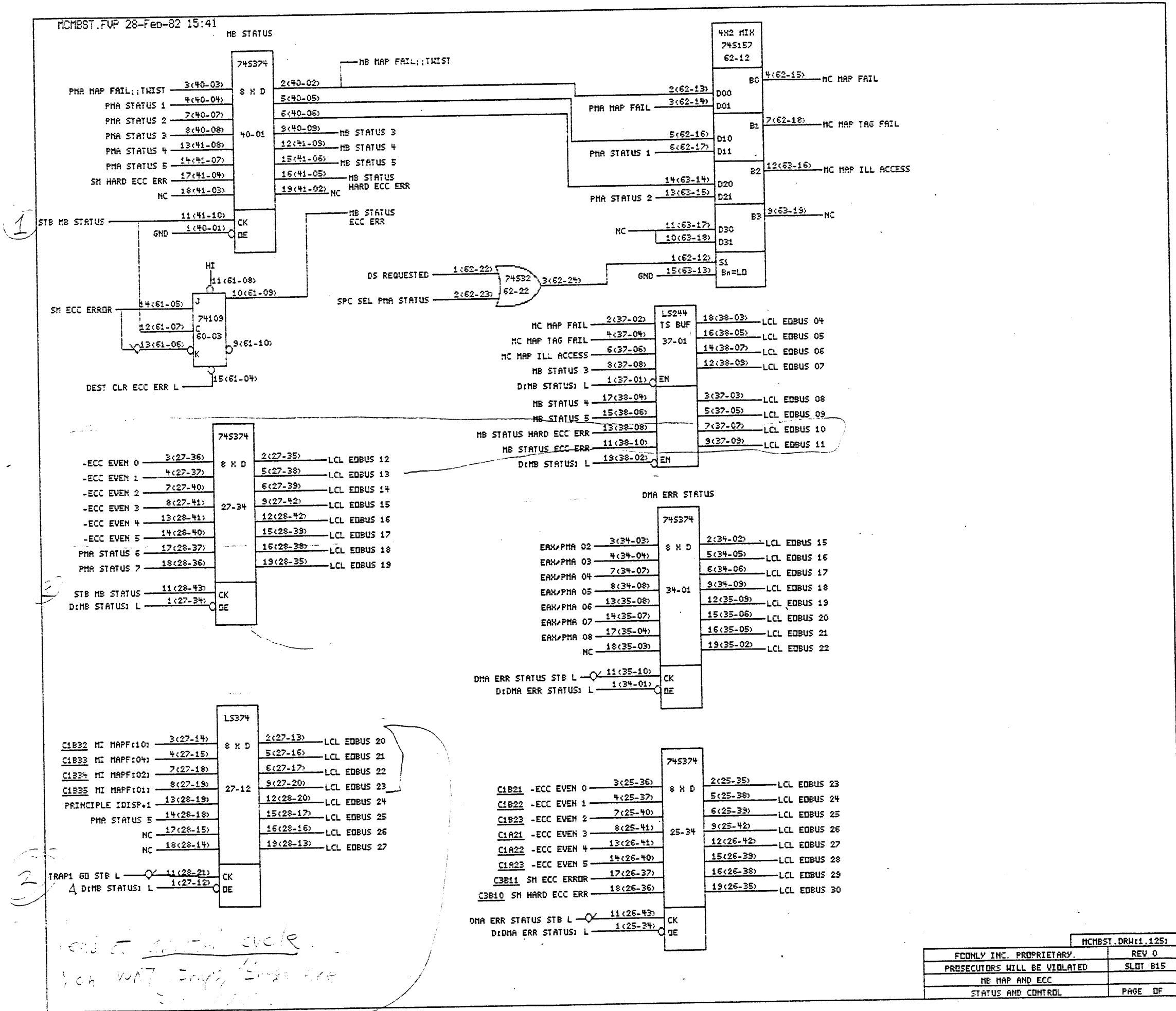


DEST (HS C0) L

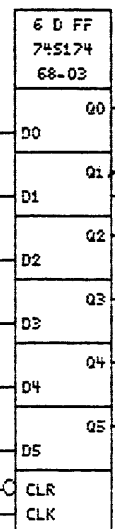




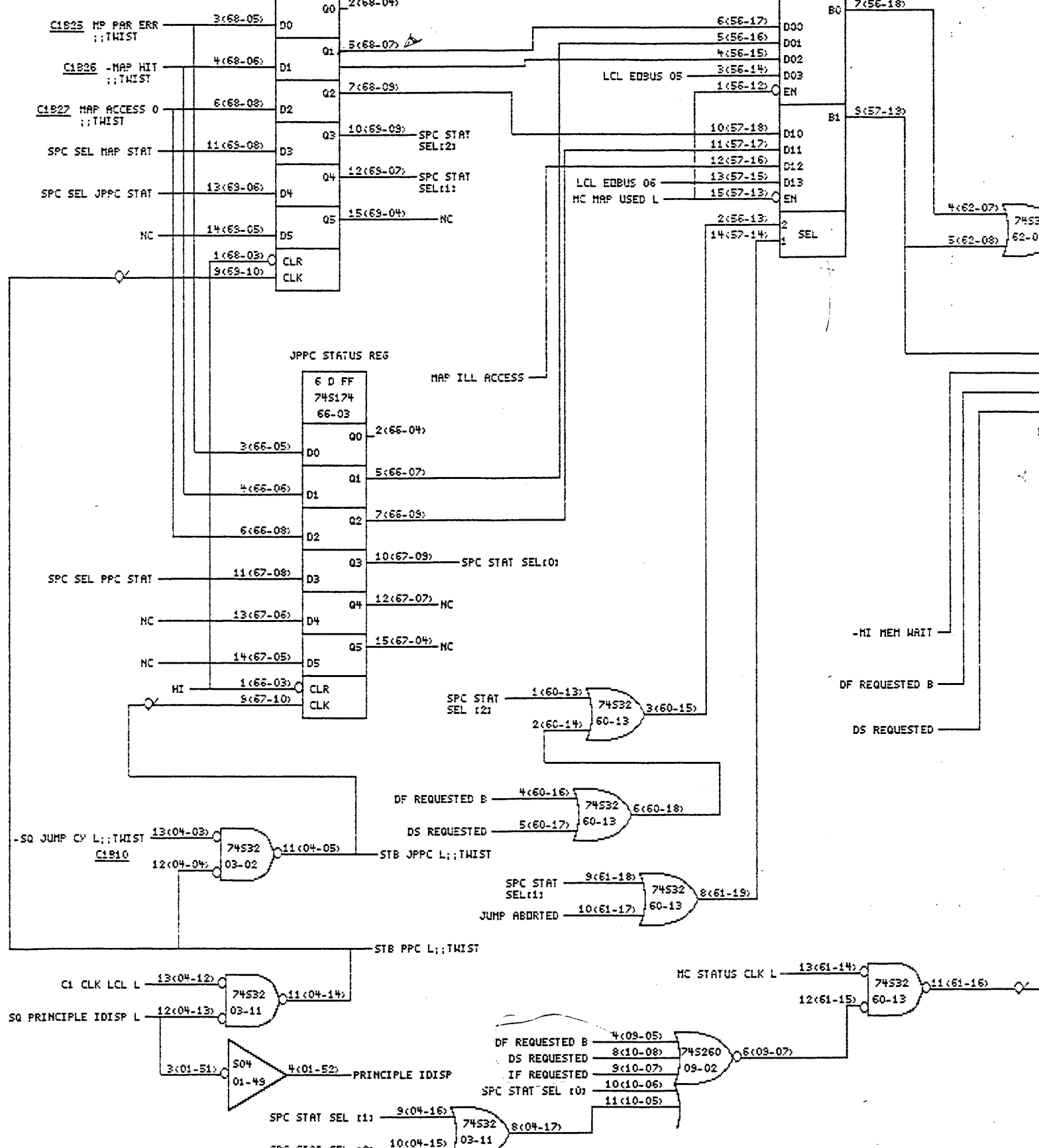
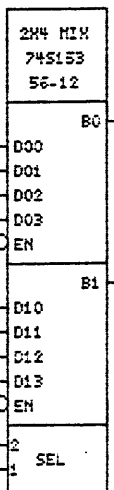
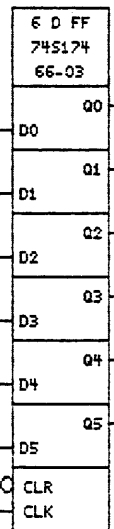
5
5
5



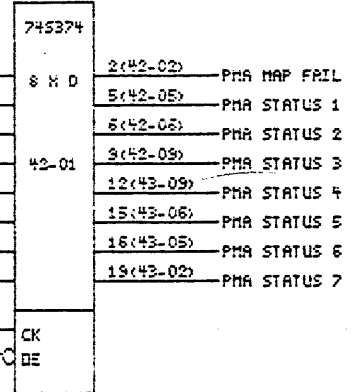
PPC STATUS REG



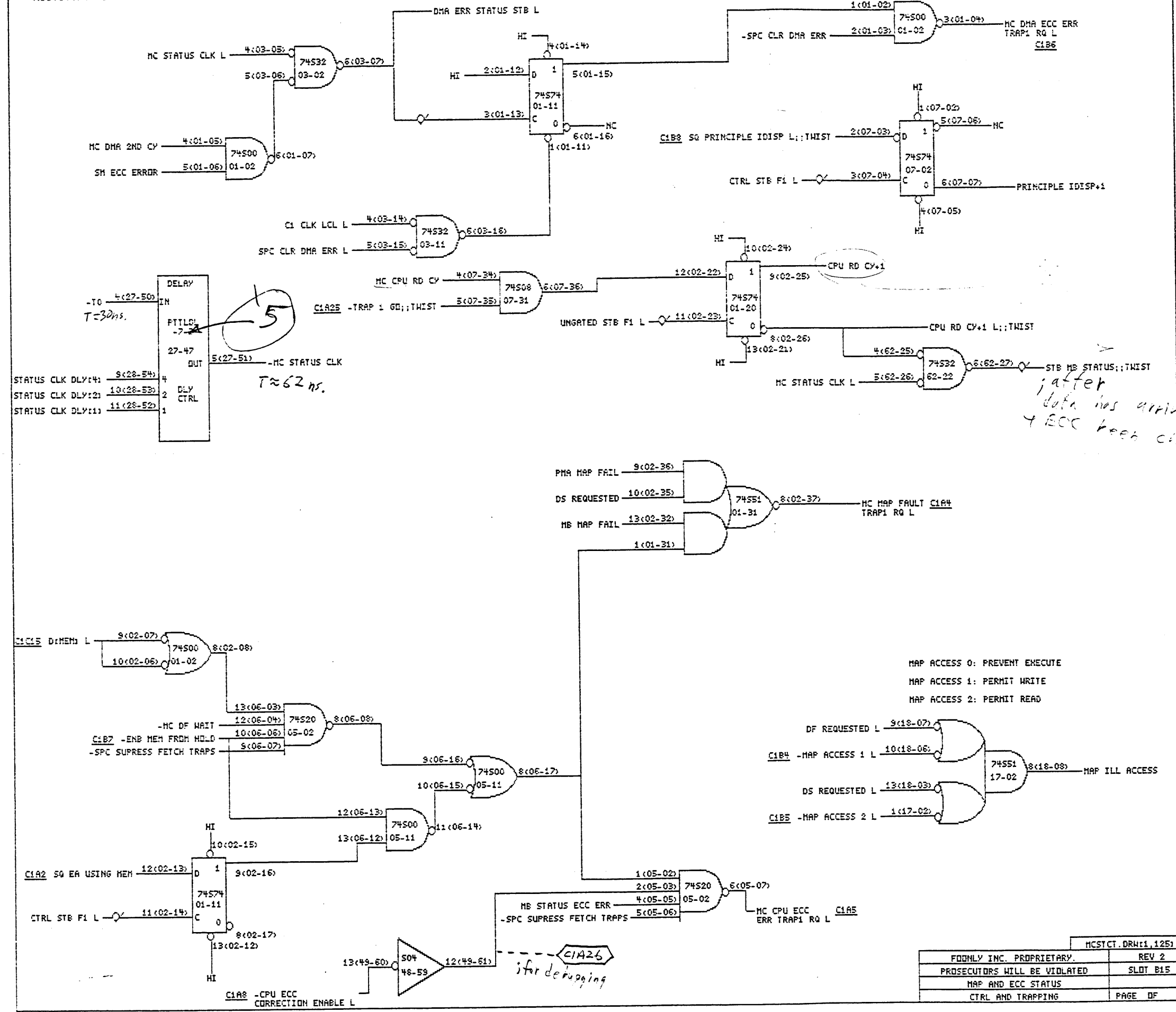
JPPC STATUS REG



PMA STAT



MIP



after data has arrived + ECC keep checking

MAP ACCESS 0: PREVENT EXECUTE
 MAP ACCESS 1: PERMIT WRITE
 MAP ACCESS 2: PERMIT READ

MAP ILL ACCESS

MCSTCT.DRW(1,125)	
FOHLY INC. PROPRIETARY.	REV 2
PROSECUTORS WILL BE VIOLATED	SLOT B15
MAP AND ECC STATUS	
CTRL AND TRAPPING	PAGE 0F

PHR 24 F0 ;:TWIST - B17C1A1
PHR 24 F1 ;:TWIST - B17C1A2
PHR 24 F2 ;:TWIST - B17C1A3
PHR 24 F3 ;:TWIST - B17C1A4
PHR 24 F4 ;:TWIST - B17C1A5
PHR 25 F0 ;:TWIST - B17C1A6
PHR 25 F1 ;:TWIST - B17C1A7
PHR 25 F2 ;:TWIST - B17C1A8
PHR 25 F3 ;:TWIST - B17C1A9
PHR 26 F0 ;:TWIST - B17C1A10
PHR 26 F1 ;:TWIST - B17C1A11
PHR 26 F2 ;:TWIST - B17C1A12
PHR 26 F3 ;:TWIST - B17C1A13
PHR 27 F0 ;:TWIST - B17C1A14
PHR 27 F1 ;:TWIST - B17C1A15
PHR 27 F2 ;:TWIST - B17C1A16
PHR 27 F3 ;:TWIST - B17C1A17
PHR 28 F0 ;:TWIST - B17C1A18
PHR 28 F1 ;:TWIST - B17C1A19
PHR 28 F2 ;:TWIST - B17C1A20
PHR 28 F3 ;:TWIST - B17C1A21
PHR 29 F0 ;:TWIST - B17C1A22
PHR 29 F1 ;:TWIST - B17C1A23
PHR 29 F2 ;:TWIST - B17C1A24
PHR 29 F3 ;:TWIST - B17C1A25
PHR 30 F0 ;:TWIST - B17C1A26
PHR 30 F1 ;:TWIST - B17C1A27
PHR 30 F2 ;:TWIST - B17C1A28
PHR 30 F3 ;:TWIST - B17C1A29
PHR 31 F0 ;:TWIST - B17C1A30
PHR 31 F1 ;:TWIST - B17C1A31
PHR 31 F2 ;:TWIST - B17C1A32
PHR 31 F3 ;:TWIST - B17C1A33
PHR 32 F0 ;:TWIST - B17C1A34
PHR 32 F1 ;:TWIST - B17C1A35
PHR 32 F2 ;:TWIST - B17C1A36

sq MAP ACTIVE

PHR 13 F0 ;:TWIST - B17C1B2
PHR 13 F1 ;:TWIST - B17C1B3
PHR 13 F2 ;:TWIST - B17C1B4
PHR 13 F3 ;:TWIST - B17C1B5
PHR 14 F0 ;:TWIST - B17C1B6
PHR 14 F1 ;:TWIST - B17C1B7
PHR 14 F2 ;:TWIST - B17C1B8
PHR 14 F3 ;:TWIST - B17C1B9
PHR 22 F0 ;:TWIST - B17C1B10
PHR 22 F1 ;:TWIST - B17C1B11
PHR 22 F2 ;:TWIST - B17C1B12
PHR 22 F3 ;:TWIST - B17C1B13
PHR 23 F0 ;:TWIST - B17C1B14
PHR 23 F1 ;:TWIST - B17C1B15
PHR 23 F2 ;:TWIST - B17C1B16
PHR 23 F3 ;:TWIST - B17C1B17
MP PAR ERR - B17C1B18
MEM START 00 ;:TWIST - B17C1B20
MEM START 01 ;:TWIST - B17C1B21
MEM START 02 ;:TWIST - B17C1B22
MEM START 03 ;:TWIST - B17C1B23
MEM START 04 ;:TWIST - B17C1B24
MEM START 05 ;:TWIST - B17C1B25
MEM START 06 ;:TWIST - B17C1B26
MEM START 07 ;:TWIST - B17C1B27
MEM START 08 ;:TWIST - B17C1B28
MEM START 09 ;:TWIST - B17C1B29
MEM START 10 ;:TWIST - B17C1B30
MEM START 11 ;:TWIST - B17C1B31
MEM START 12 ;:TWIST - B17C1B32
MEM START 13 ;:TWIST - B17C1B33
MEM START 14 ;:TWIST - B17C1B34
MEM START 15 ;:TWIST - B17C1B35
NC ;:TWIST - B17C1B36

NC ;:TWIST - B17C1C1
NC MEM SD ;:TWIST - B17C1C2
NC PHA DE L - B17C1C3
NC ;:TWIST - B17C1C4
NC ;:TWIST - B17C1C5
NC ;:TWIST - B17C1C6
NC ;:TWIST - B17C1C7
NC ;:TWIST - B17C1C8
MAP ACCESS 0 - B17C1C9
NC ;:TWIST - B17C1C10
NC ;:TWIST - B17C1C11
NC ;:TWIST - B17C1C12
MAP ACCESS 1 - B17C1C13
MAP ACCESS 2 - B17C1C14
MAP ACCESS 3 - B17C1C15
NC ;:TWIST - B17C1C16
NC ;:TWIST - B17C1C17
NC ;:TWIST - B17C1C18
IDA PH - B17C1C19
NC PHA SEL MAP L - B17C1C20
NC C1 MAP CLK ;:TWIST - B17C1C21
NC ;:TWIST - B17C1C22
NC ;:TWIST - B17C1C23
NC ;:TWIST - B17C1C24
RESET - B17C1C25
DMA-PH L - B17C1C26
IDA PL - B17C1C27
NC ;:TWIST - B17C1C28
NC ;:TWIST - B17C1C29
NC ;:TWIST - B17C1C30
NC ;:TWIST - B17C1C31
NC ;:TWIST - B17C1C32
NC ;:TWIST - B17C1C33
NC ;:TWIST - B17C1C34
NC ;:TWIST - B17C1C35
NC ;:TWIST - B17C1C36

PHR 32 F2 ;:TWIST - B17C2A1
PHR 32 F3 ;:TWIST - B17C2A2
PHR 33 F0 ;:TWIST - B17C2A3
PHR 33 F1 ;:TWIST - B17C2A4
PHR 33 F2 ;:TWIST - B17C2A5
PHR 33 F3 ;:TWIST - B17C2A6
PHR 34 F0 ;:TWIST - B17C2A7
PHR 34 F1 ;:TWIST - B17C2A8
PHR 34 F2 ;:TWIST - B17C2A9
F3 ;:TWIST - B17C2A10
F0 ;:TWIST - B17C2A11
F1 ;:TWIST - B17C2A12
F2 ;:TWIST - B17C2A13
F3 ;:TWIST - B17C2A14
F0 ;:TWIST - B17C2A15
F1 ;:TWIST - B17C2A16
F2 ;:TWIST - B17C2A17
F3 ;:TWIST - B17C2A18
EDBUS 18 ;:TWIST - B17C2A19
EDBUS 19 ;:TWIST - B17C2A20
EDBUS 20 ;:TWIST - B17C2A21
EDBUS 21 ;:TWIST - B17C2A22
EDBUS 22 ;:TWIST - B17C2A23
EDBUS 23 ;:TWIST - B17C2A24
EDBUS 24 ;:TWIST - B17C2A25
EDBUS 25 ;:TWIST - B17C2A26
EDBUS 26 ;:TWIST - B17C2A27
nc - B17C2A28
EDBUS 28 - B17C2A29
EDBUS 29 - B17C2A30
EDBUS 30 - B17C2A31
EDBUS 31 - B17C2A32
EDBUS 32 - B17C2A33
EDBUS 33 - B17C2A34
EDBUS 34 - B17C2A35
EDBUS 35 - B17C2A36

NC PHA FROM EA ENB L ;:TWIST - B17C2B1
NC PHA FROM IDA ENB L ;:TWIST - B17C2B2
NC JPPC CLK L ;:TWIST - B17C2B3
NC JPPC SEL ;:TWIST - B17C2B4
NC PPC SEL ;:TWIST - B17C2B5
NC PPC CLK L ;:TWIST - B17C2B6
PHR 35 F0 ;:TWIST - B17C2B7
PHR 35 F1 ;:TWIST - B17C2B8
PHR 35 F2 ;:TWIST - B17C2B9
PHR 35 F3 ;:TWIST - B17C2B10
PHR 19 F0 ;:TWIST - B17C2B11
PHR 19 F1 ;:TWIST - B17C2B12
PHR 19 F2 ;:TWIST - B17C2B13
PHR 19 F3 ;:TWIST - B17C2B14
nc - B17C2B15
EARLY REFRESH F2 ;:TWIST - B17C2B16
EARLY REFRESH F3 ;:TWIST - B17C2B17
REFRESH F0 L ;:TWIST - B17C2B18
REFRESH F1 L ;:TWIST - B17C2B19
REFRESH F2 L ;:TWIST - B17C2B20
REFRESH F3 L ;:TWIST - B17C2B21
EDBUS 03 ;:TWIST - B17C2B22
EDBUS 04 ;:TWIST - B17C2B23
EDBUS 05 ;:TWIST - B17C2B24
EDBUS 06 ;:TWIST - B17C2B25
EDBUS 07 ;:TWIST - B17C2B26
EDBUS 08 ;:TWIST - B17C2B27
EDBUS 09 ;:TWIST - B17C2B28
EDBUS 10 ;:TWIST - B17C2B29
EDBUS 11 ;:TWIST - B17C2B30
EDBUS 12 ;:TWIST - B17C2B31
EDBUS 13 ;:TWIST - B17C2B32
EDBUS 14 ;:TWIST - B17C2B33
EDBUS 15 ;:TWIST - B17C2B34
EDBUS 16 ;:TWIST - B17C2B35
EDBUS 17 ;:TWIST - B17C2B36

MAP
20 pages

EA 19 ;:TWIST - B17C3A1
EA 19 ;:TWIST - B17C3A2
EA 20 ;:TWIST - B17C3A3
EA 21 ;:TWIST - B17C3A4
EA 22 ;:TWIST - B17C3A5
EA 23 ;:TWIST - B17C3A6
EA 24 ;:TWIST - B17C3A7
EA 25 ;:TWIST - B17C3A8
EA 26 ;:TWIST - B17C3A9
EA 27 ;:TWIST - B17C3A10
EA 28 ;:TWIST - B17C3A11
EA 29 ;:TWIST - B17C3A12
EA 30 ;:TWIST - B17C3A13
EA 31 ;:TWIST - B17C3A14
EA 32 ;:TWIST - B17C3A15
EA 33 ;:TWIST - B17C3A16
EA 34 ;:TWIST - B17C3A17
EA 35 ;:TWIST - B17C3A18
CONTENT 03 - B17C3A19
CONTENT 04 - B17C3A20
CONTENT 05 - B17C3A21
EA 03 ;:TWIST - B17C3A22
EA 04 ;:TWIST - B17C3A23
EA 05 ;:TWIST - B17C3A24
EA 06 ;:TWIST - B17C3A25
EA 07 ;:TWIST - B17C3A26
EA 08 ;:TWIST - B17C3A27
EA 09 ;:TWIST - B17C3A28
EA 10 ;:TWIST - B17C3A29
EA 11 ;:TWIST - B17C3A30
EA 12 ;:TWIST - B17C3A31
EA 13 ;:TWIST - B17C3A32
EA 14 ;:TWIST - B17C3A33
EA 15 ;:TWIST - B17C3A34
EA 16 ;:TWIST - B17C3A35
EA 17 ;:TWIST - B17C3A36

MC DMA CK

IDA 20 - B17C3B1
IDA 21 - B17C3B2
IDA 22 - B17C3B3
IDA 23 - B17C3B4
IDA 24 - B17C3B5
IDA 25 - B17C3B6
IDA 26 - B17C3B7
IDA 27 - B17C3B8
IDA 28 - B17C3B9
IDA 29 - B17C3B10
IDA 30 - B17C3B11
IDA 31 - B17C3B12
IDA 32 - B17C3B13
IDA 33 - B17C3B14
IDA 34 - B17C3B15
IDA 35 - B17C3B16
ERAW/PHA 00 - B17C3B17
ERAW/PHA 01 - B17C3B18
ERAW/PHA 02 - B17C3B19
ERAW/PHA 03 - B17C3B20
ERAW/PHA 04 - B17C3B21
ERAW/PHA 05 - B17C3B22
ERAW/PHA 06 - B17C3B23
ERAW/PHA 07 - B17C3B24
ERAW/PHA 08 - B17C3B25
ERAW/PHA 09 - B17C3B26
ERAW/PHA 10 - B17C3B27
ERAW/PHA 11 - B17C3B28
ERAW/PHA 12 - B17C3B29
ERAW/PHA 13 - B17C3B30
ERAW/PHA 14 - B17C3B31
STB MERGE L - B17C3B32
nc - B17C3B34
nc - B17C3B35
nc - B17C3B36

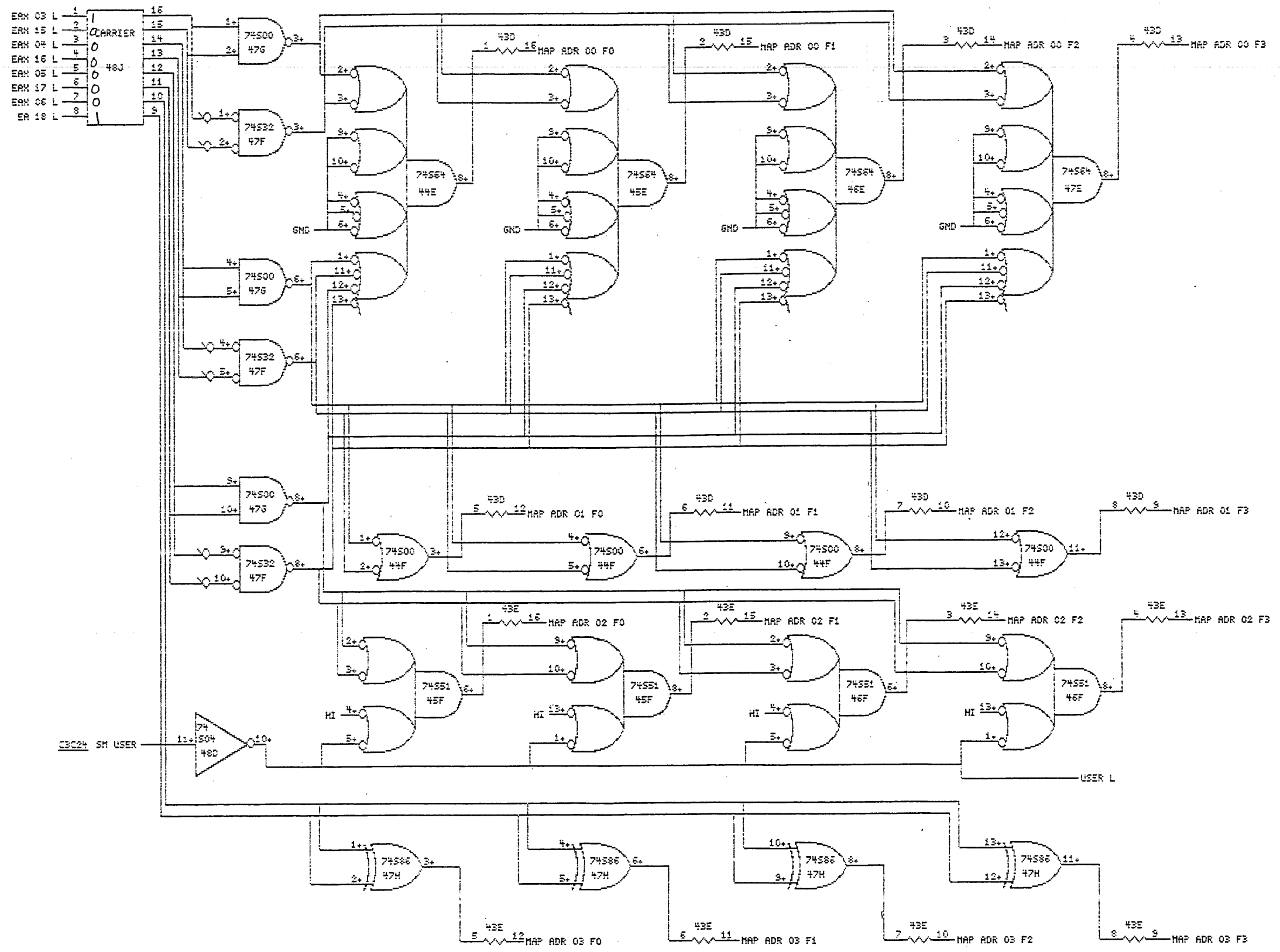
NC ;:TWIST - B17C3C1
NC ;:TWIST - B17C3C2
NC ;:TWIST - B17C3C3
CONTENT 06 - B17C3C4
CONTENT 07 - B17C3C5
CONTENT 08 - B17C3C6
NC ;:TWIST - B17C3C7
NC ;:TWIST - B17C3C8
NC ;:TWIST - B17C3C9
CONTENT 12 - B17C3C10
CONTENT 13 - B17C3C11
CONTENT 14 - B17C3C12
NC ;:TWIST - B17C3C13
NC ;:TWIST - B17C3C14
NC ;:TWIST - B17C3C15
T-75 ;:TWIST - B17C3C16
MAP HIT L ;:TWIST - B17C3C17
nc - B17C3C18
NC ;:TWIST - B17C3C19
NC ;:TWIST - B17C3C20
NC ;:TWIST - B17C3C21
NC C3 MAP CLK ;:TWIST - B17C3C22
DMA-PH L - B17C3C23
SM ENEC - B17C3C24
NC ;:TWIST - B17C3C25
NC ;:TWIST - B17C3C26
NC ;:TWIST - B17C3C27
CONTENT 09 - B17C3C28
CONTENT 10 - B17C3C29
CONTENT 11 - B17C3C30
NC ;:TWIST - B17C3C31
NC ;:TWIST - B17C3C32
NC ;:TWIST - B17C3C33
CONTENT 15 - B17C3C34
CONTENT 16 - B17C3C35
CONTENT 17 - B17C3C36

NC ;:TWIST - B17C2C1
NC ;:TWIST - B17C2C2
NC ;:TWIST - B17C2C3
PHR 15 ;:TWIST - B17C2C4
PHR 16 ;:TWIST - B17C2C5
PHR 17 ;:TWIST - B17C2C6
nc - B17C2C7
NC ;:TWIST - B17C2C8
NC ;:TWIST - B17C2C9
PHR 18 ;:TWIST - B17C2C10
DEST:MAP-TAG - B17C2C11
DEST:MAP-MA - B17C2C12
NC ;:TWIST - B17C2C13
NC ;:TWIST - B17C2C14
NC ;:TWIST - B17C2C15
EARLY REFRESH F0 ;:TWIST - B17C2C16
EARLY REFRESH F1 ;:TWIST - B17C2C17
nc - B17C2C18
NC ;:TWIST - B17C2C19
NC ;:TWIST - B17C2C20
NC ;:TWIST - B17C2C21
IDA P - B17C2C22
SM REFRESH RQ - B17C2C23
IDA 13 - B17C2C24
NC ;:TWIST - B17C2C25
NC ;:TWIST - B17C2C26
NC ;:TWIST - B17C2C27
IDA 14 - B17C2C28
IDA 15 - B17C2C29
IDA 16 - B17C2C30
NC ;:TWIST - B17C2C31
NC ;:TWIST - B17C2C32
NC ;:TWIST - B17C2C33
IDA 17 - B17C2C34
IDA 18 - B17C2C35
IDA 19 - B17C2C36

ENAME:DRW:1.1111

SITE1	REV
SITE2	CARDLOC
TITLE1	
TITLE2	PAGE DF

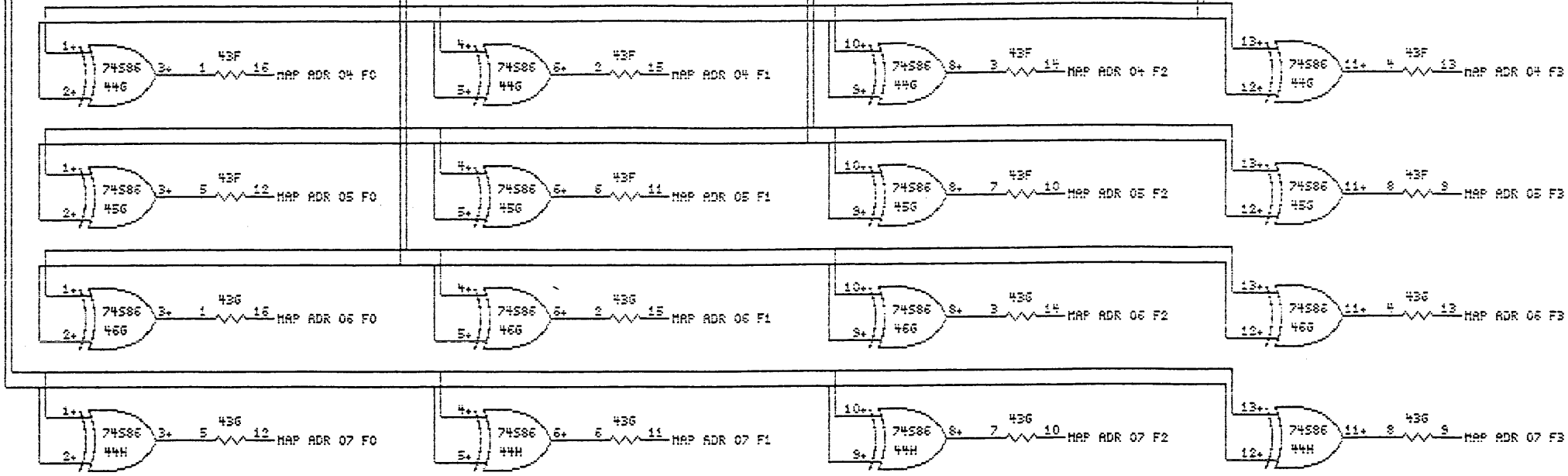
MAP



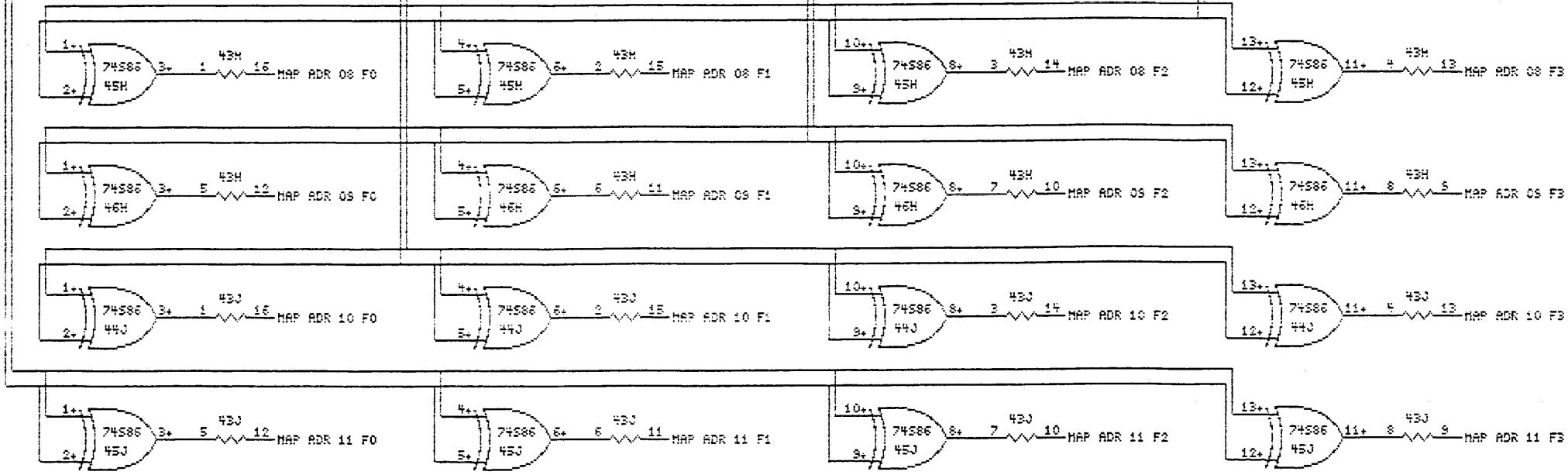
MPADU0.DRW1.125:

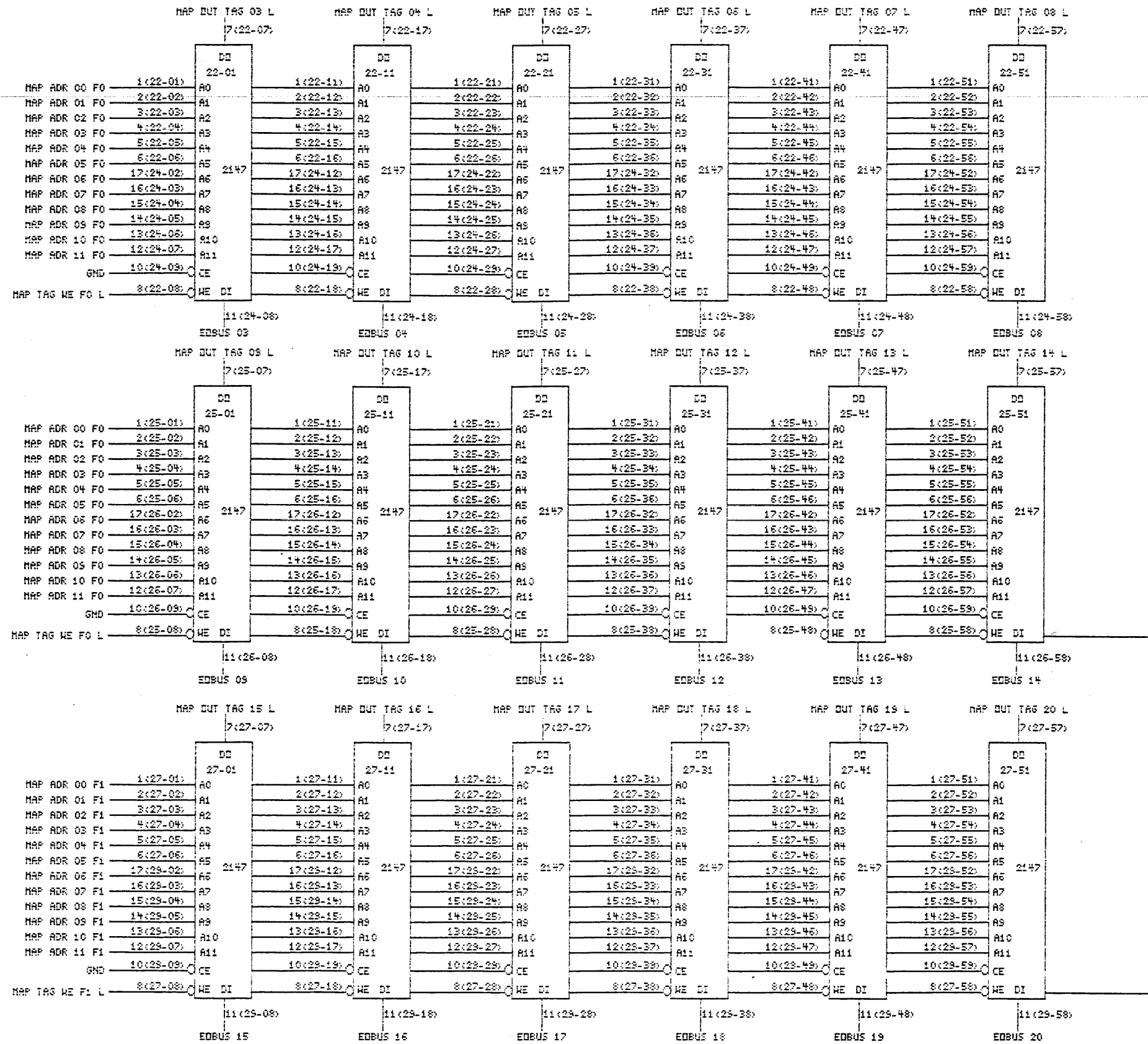
FOONLY INC. PROPRIETARY.	REV 0
PROSECUTORS WILL BE VIOLATED	SLOT B17
F4 MAP	
MAP MEM ADRE HASH L DRIVE	PAGE 0F

EA 07 L 1 0 16
 EA 19 L 2 CARRIER 15
 EA 08 L 3 0 14
 EA 20 L 4 0 13
 EA 05 L 5 47J 12
 EA 21 L 6 0 11
 EA 10 L 7 0 10
 EA 22 L 8 1 9

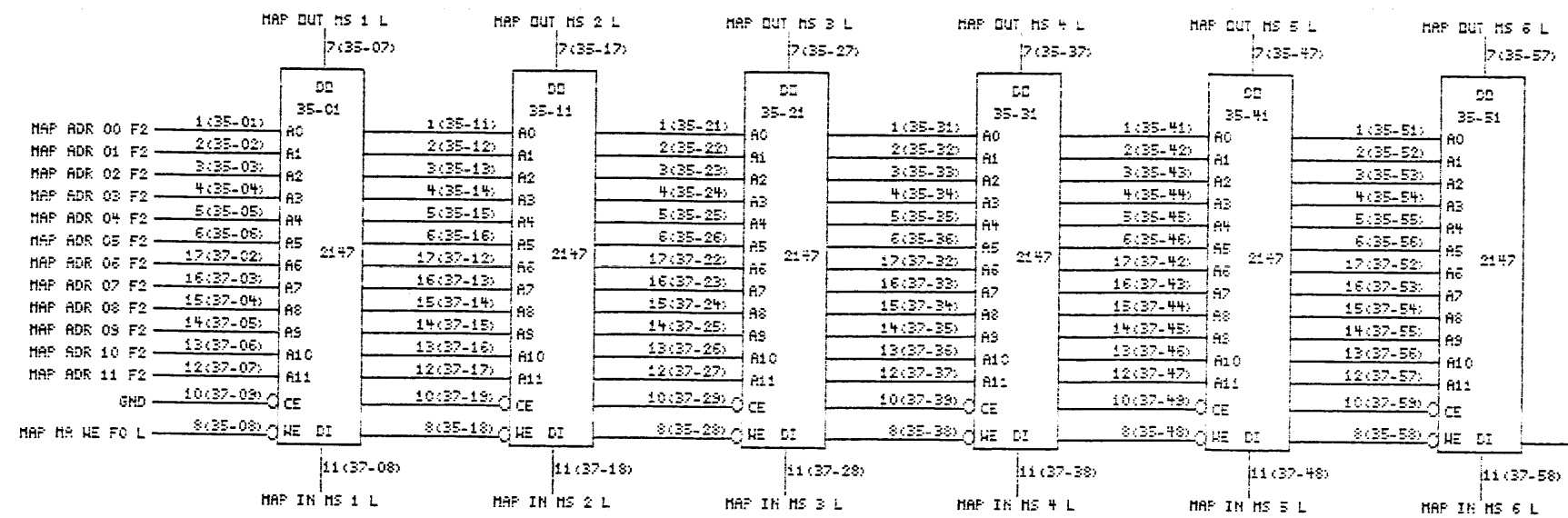
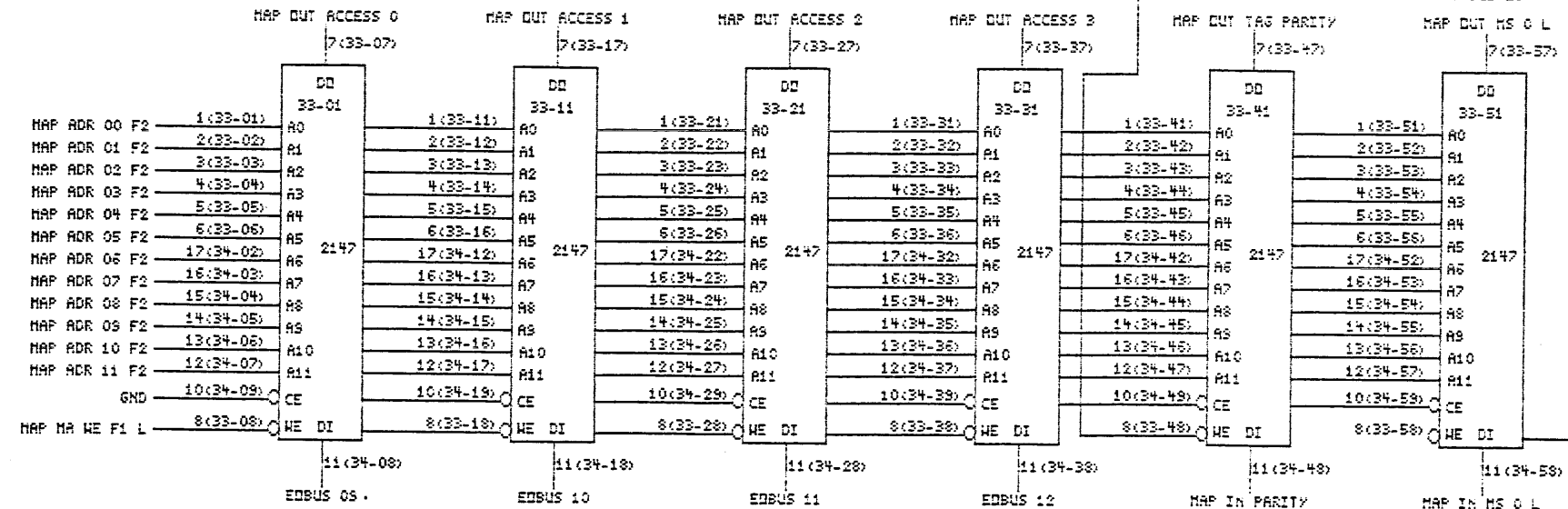
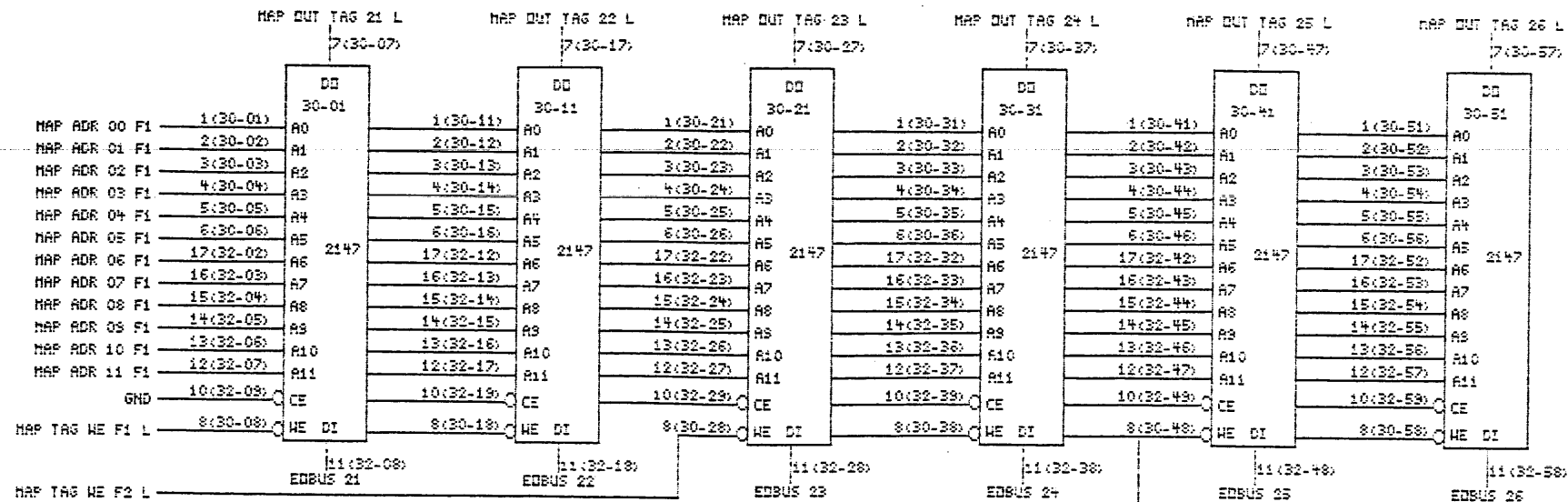


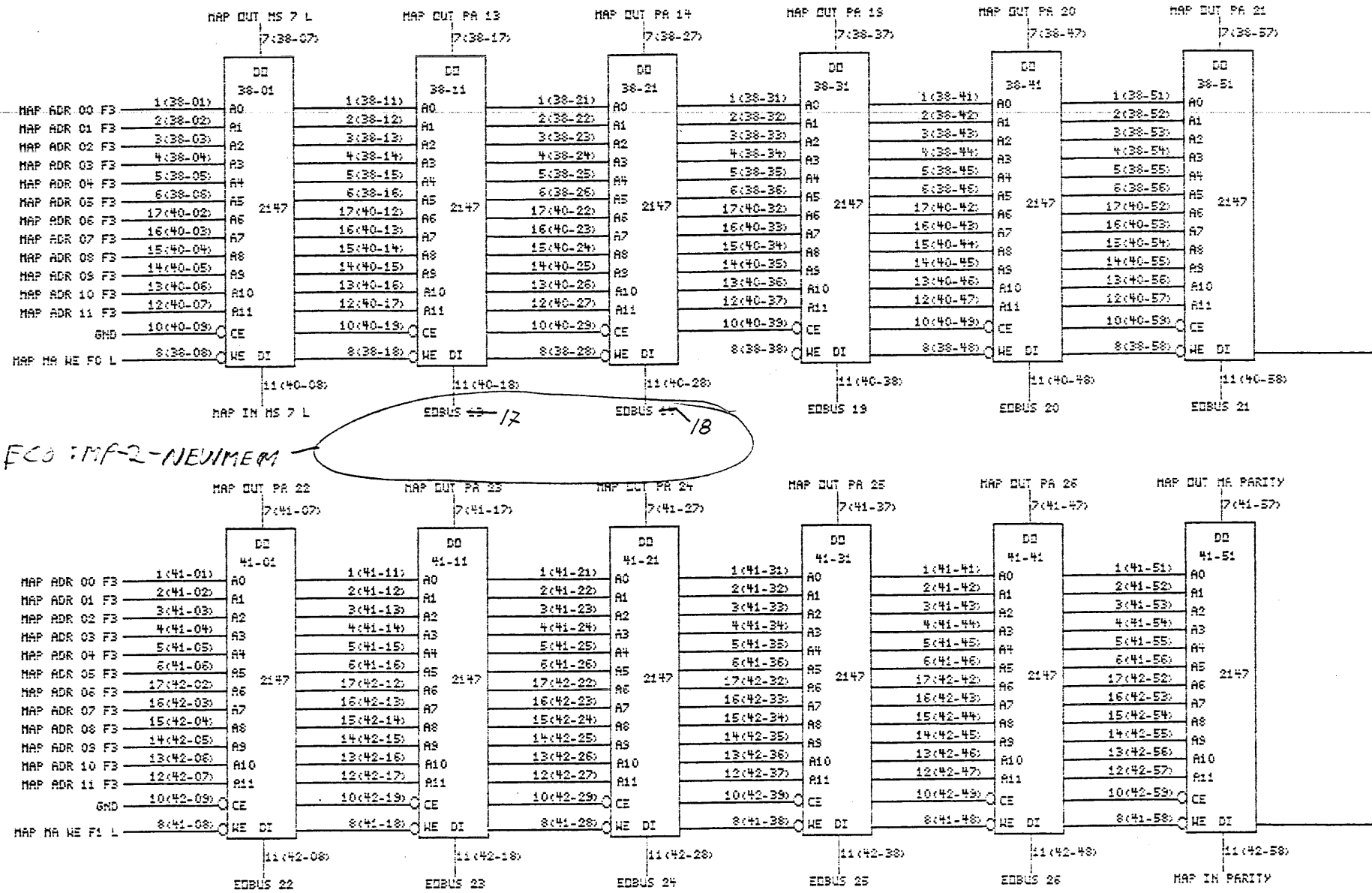
EA 11 L 1 0 16
 EA 23 L 2 CARRIER 15
 EA 12 L 3 0 14
 EA 24 L 4 0 13
 EA 13 L 5 46J 12
 EA 25 L 6 0 11
 EA 14 L 7 0 10
 EA 26 L 8 1 9

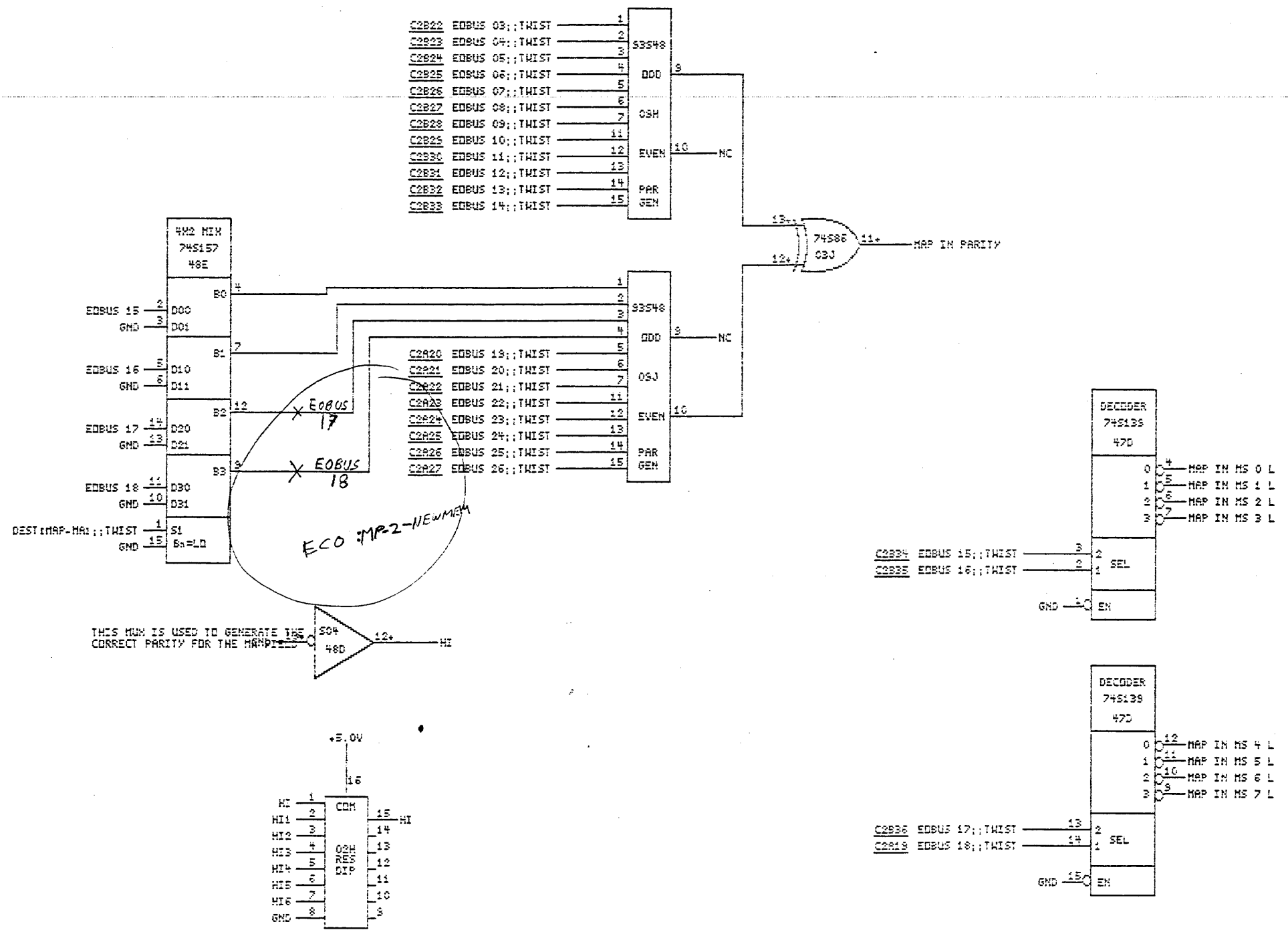




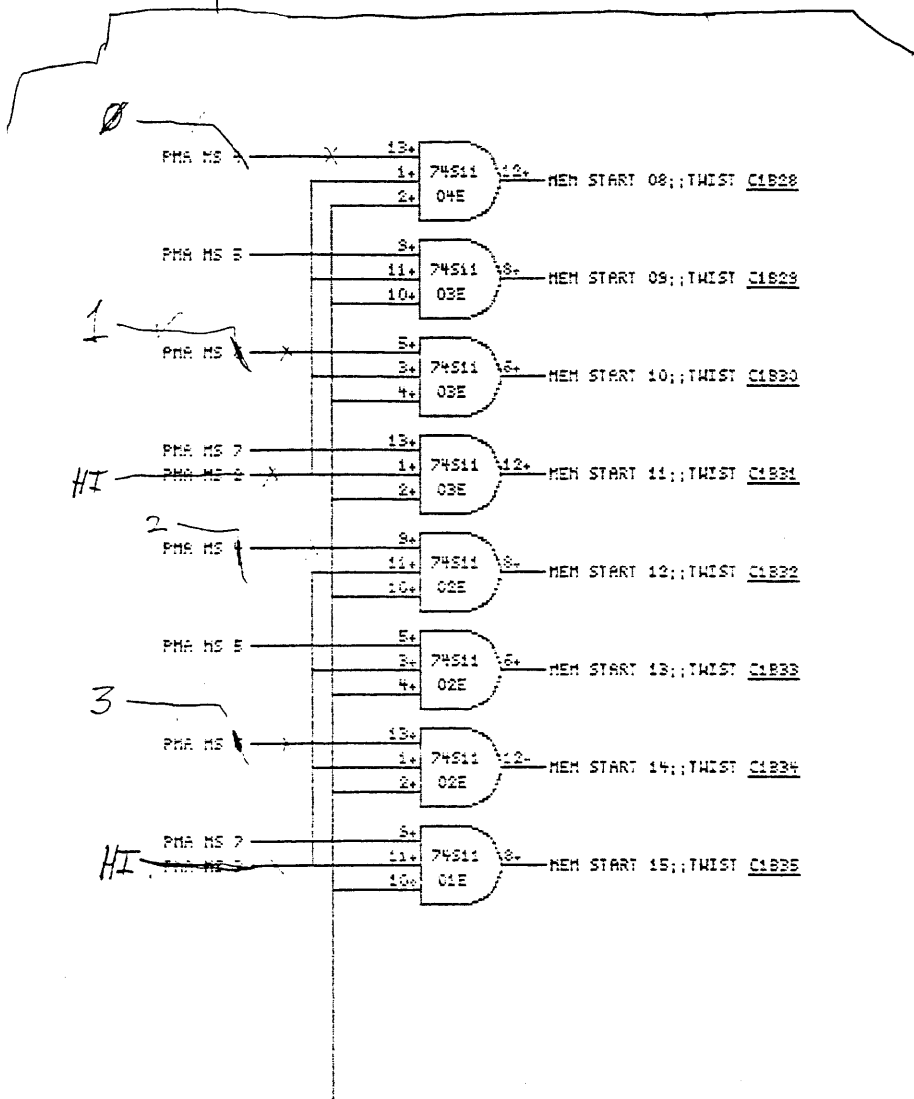
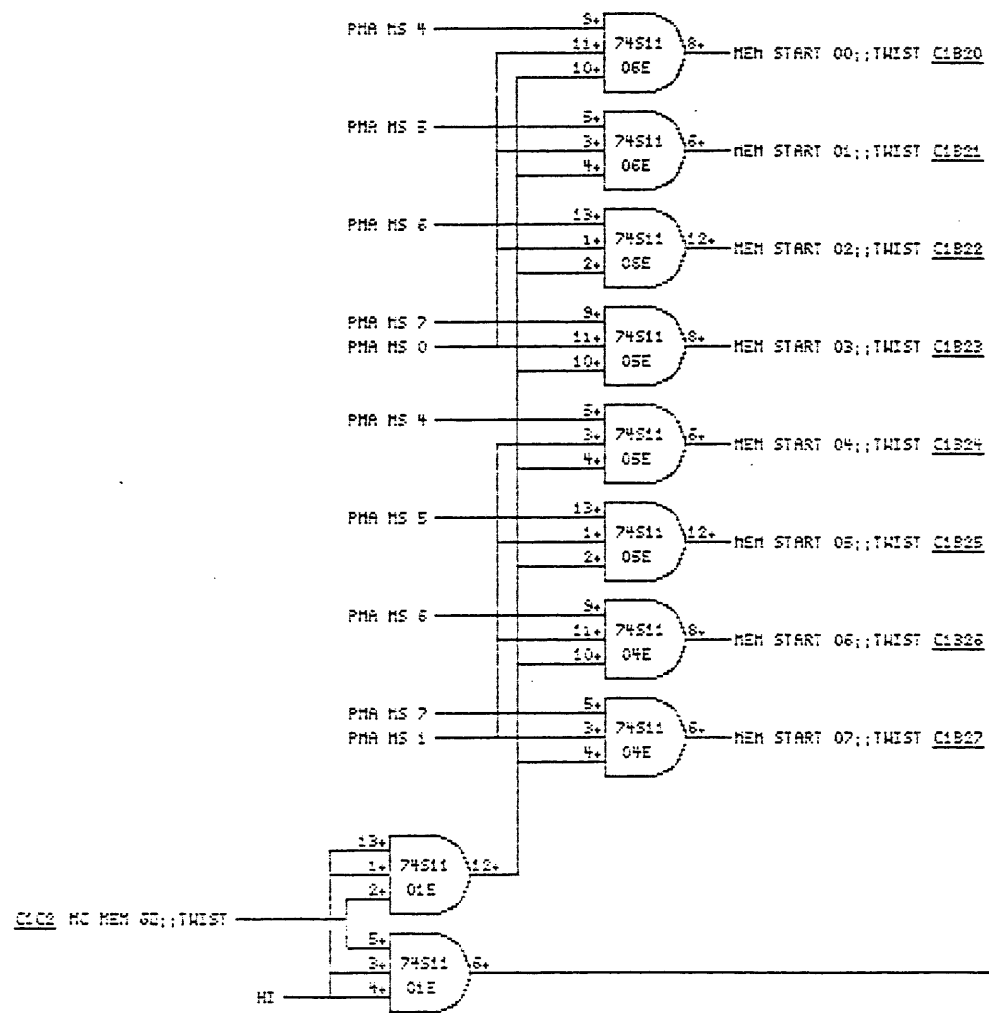
MPARR0.DRW:1.125

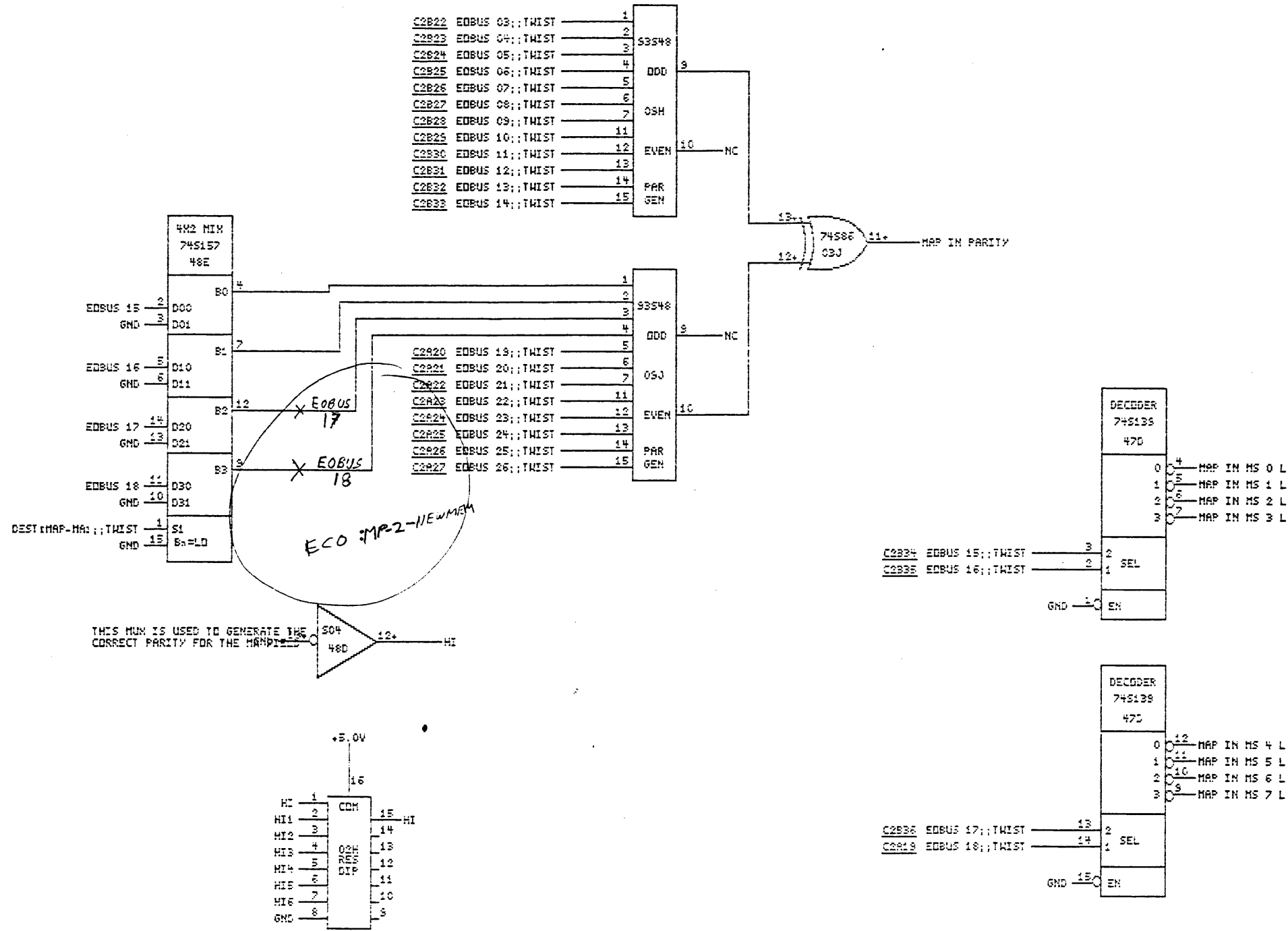


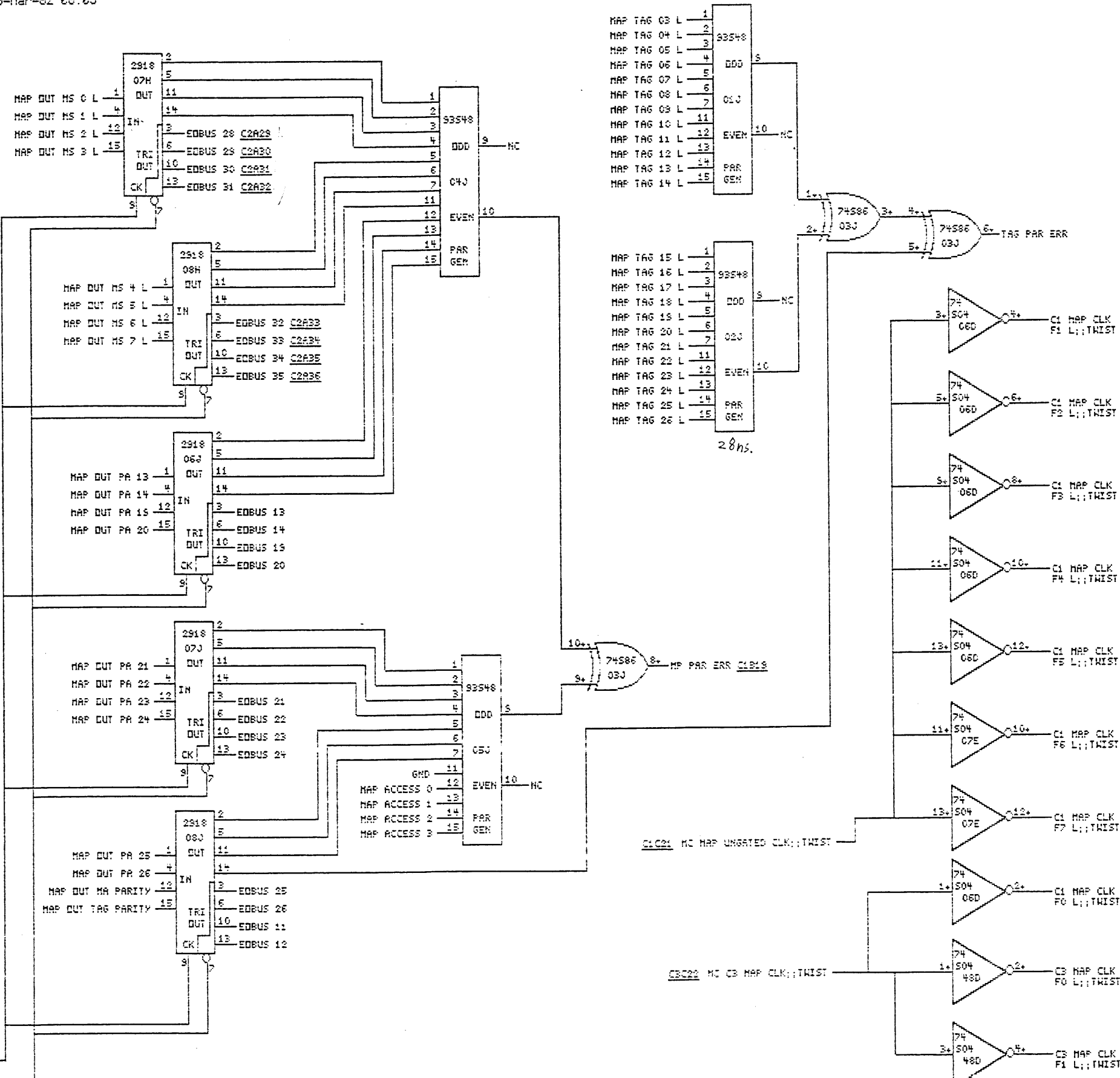




ECO :MP-2-NEWMEM



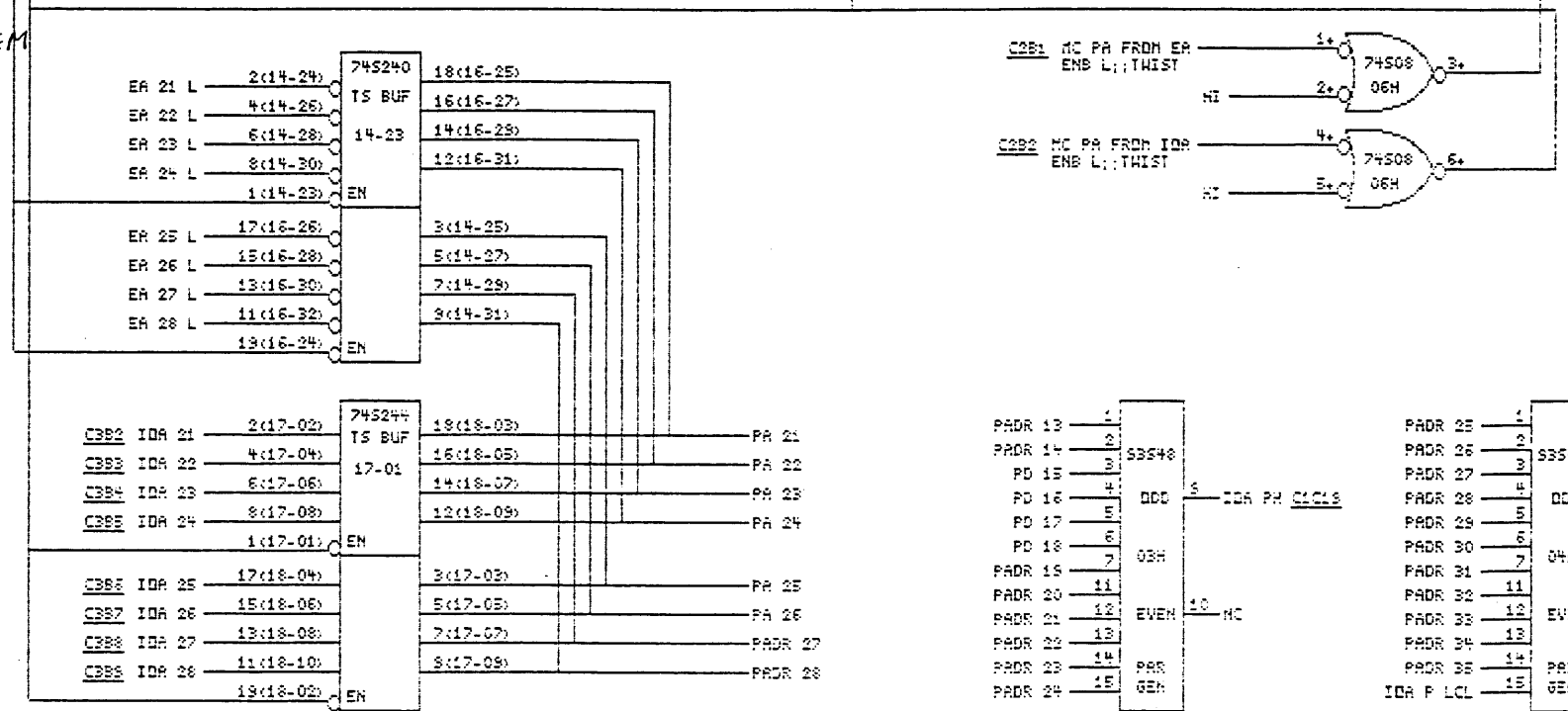
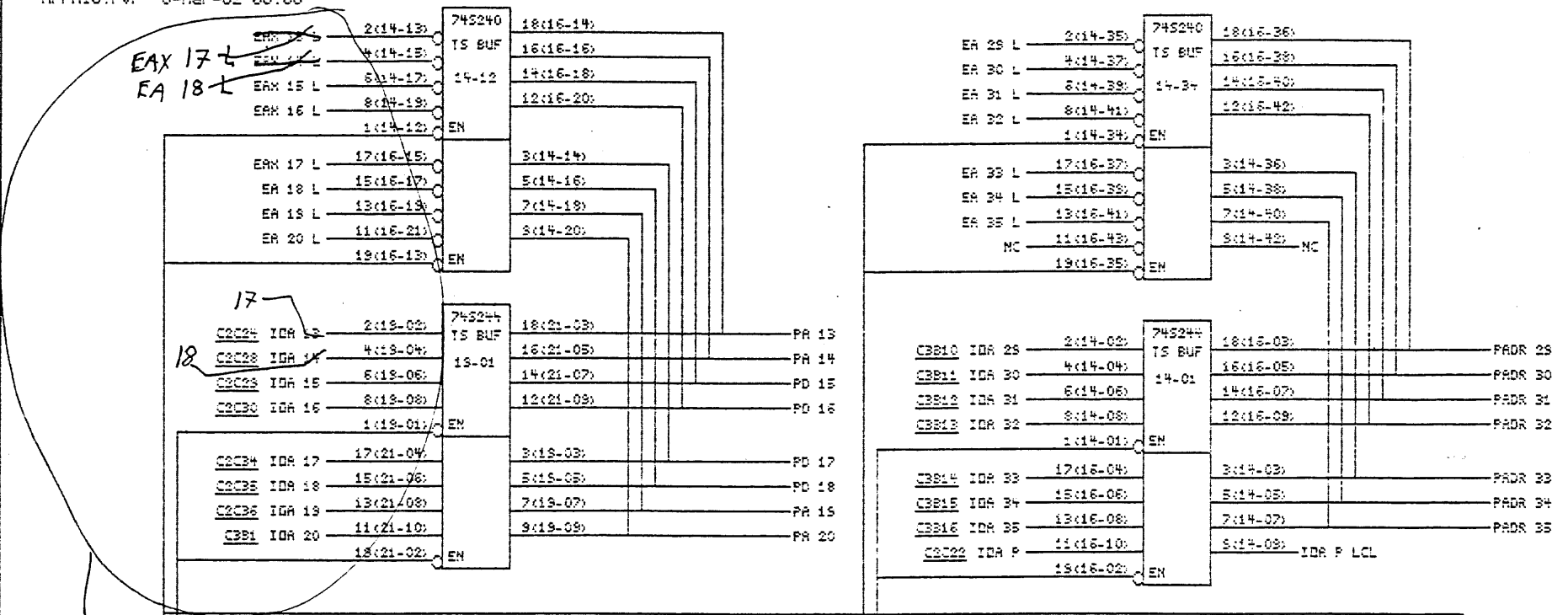


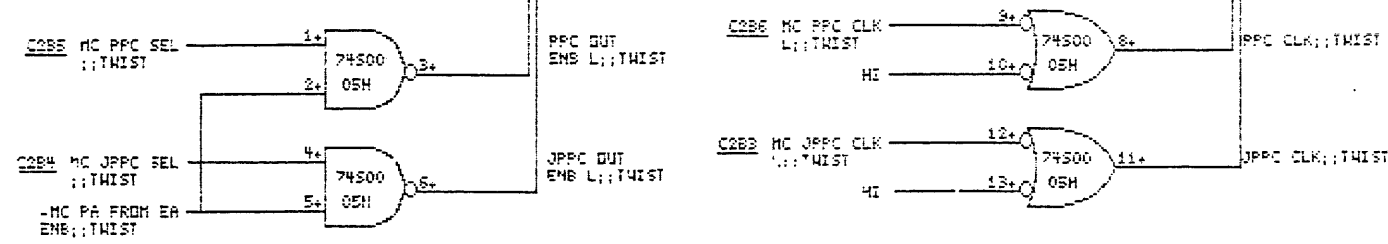
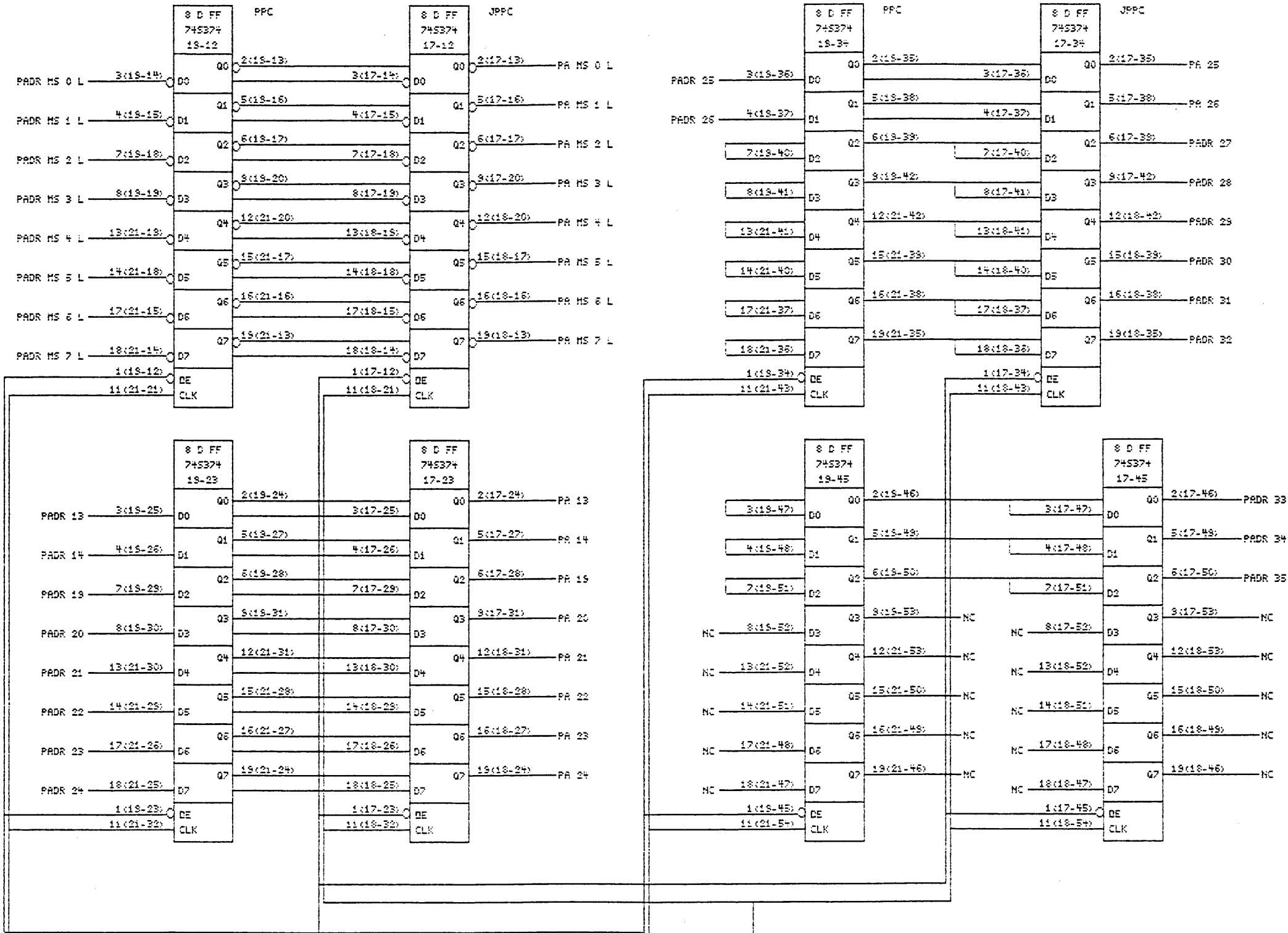


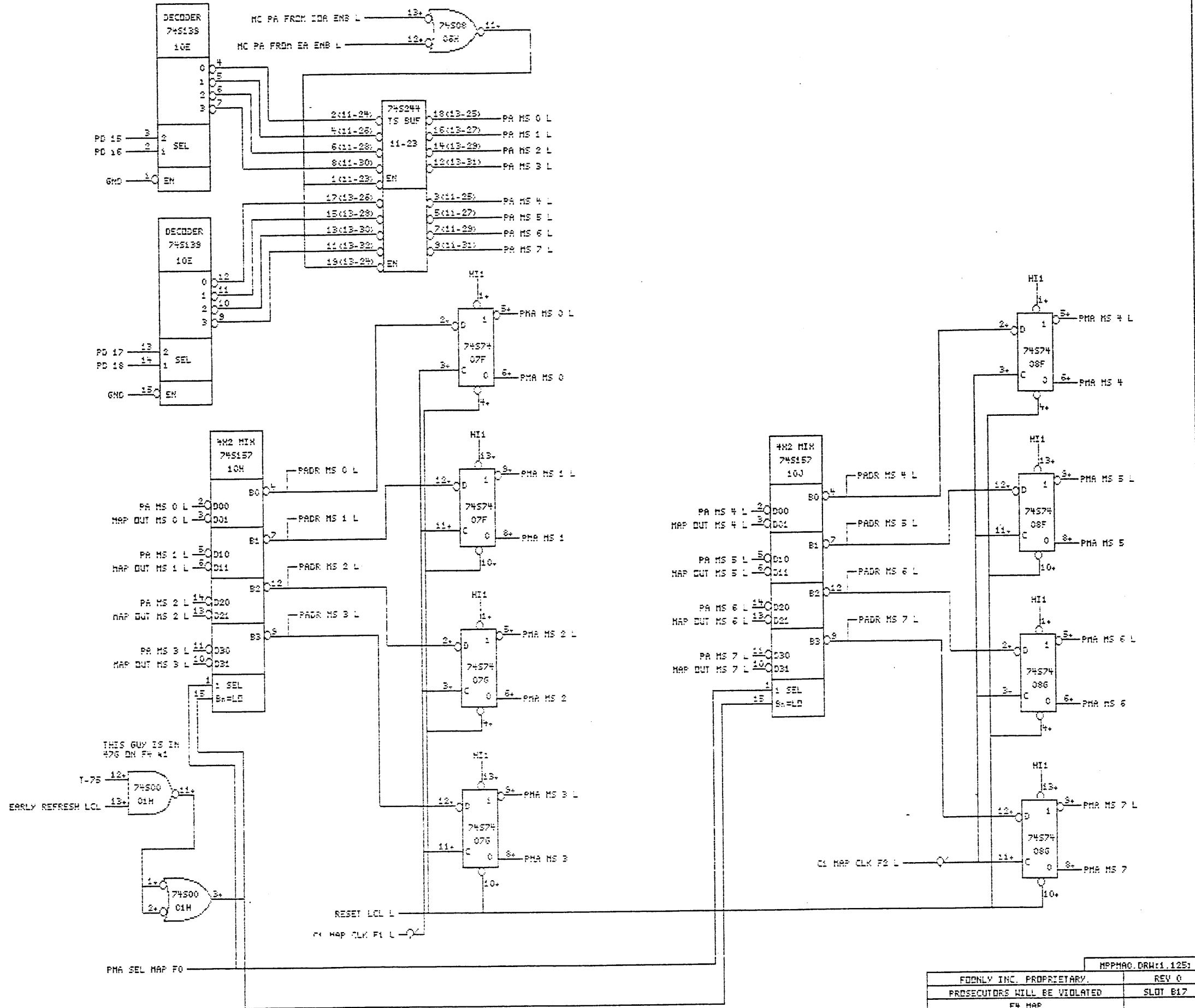
- MAP TAG 03 L 1
- MAP TAG 04 L 2
- MAP TAG 05 L 3
- MAP TAG 06 L 4
- MAP TAG 07 L 5
- MAP TAG 08 L 6
- MAP TAG 09 L 7
- MAP TAG 10 L 11
- MAP TAG 11 L 12
- MAP TAG 12 L 13
- MAP TAG 13 L 14
- MAP TAG 14 L 15

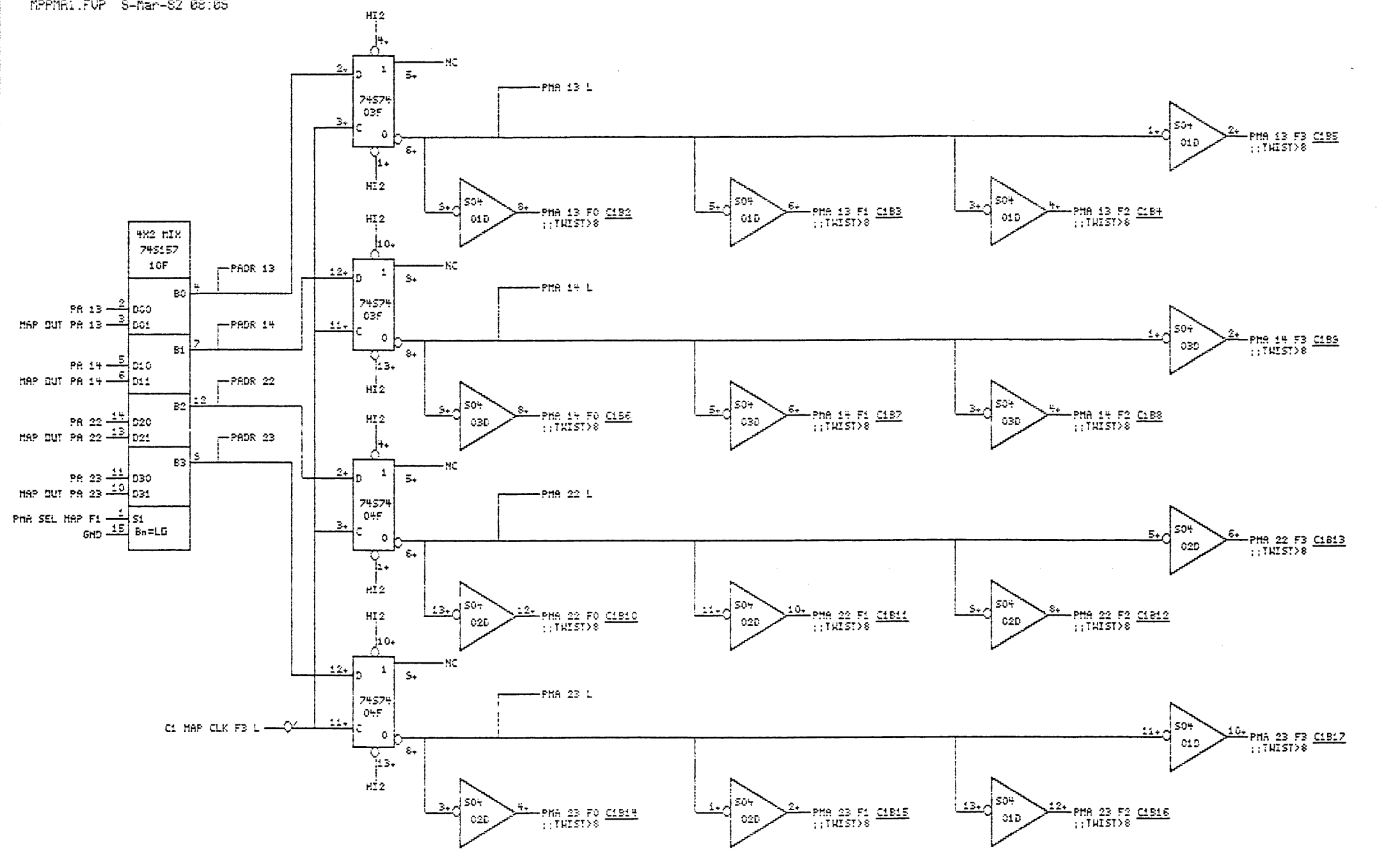
- MAP TAG 15 L 1
- MAP TAG 16 L 2
- MAP TAG 17 L 3
- MAP TAG 18 L 4
- MAP TAG 19 L 5
- MAP TAG 20 L 6
- MAP TAG 21 L 7
- MAP TAG 22 L 11
- MAP TAG 23 L 12
- MAP TAG 24 L 13
- MAP TAG 25 L 14
- MAP TAG 26 L 15

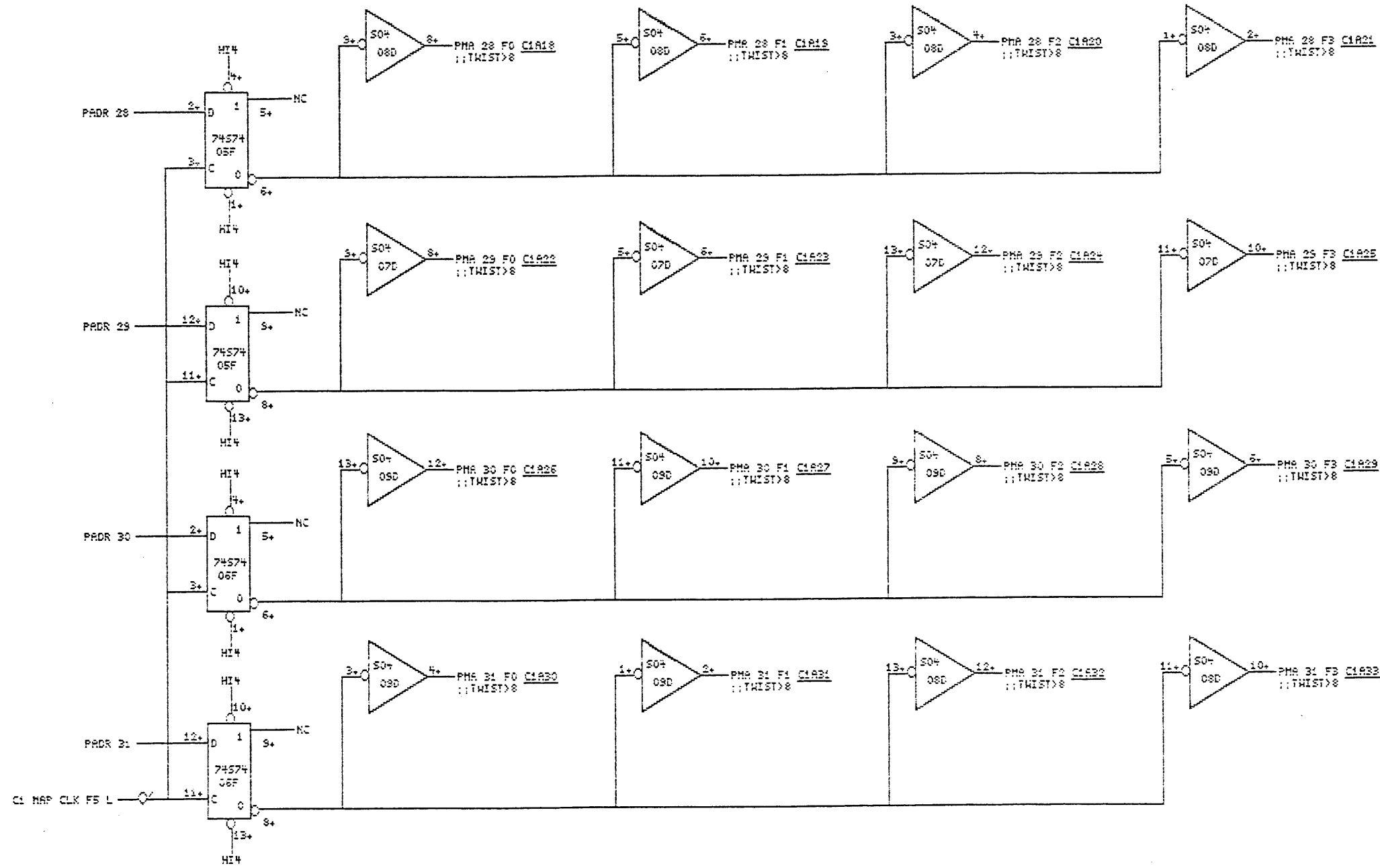
- MAP ACCESS 0 12
- MAP ACCESS 1 13
- MAP ACCESS 2 14
- MAP ACCESS 3 15

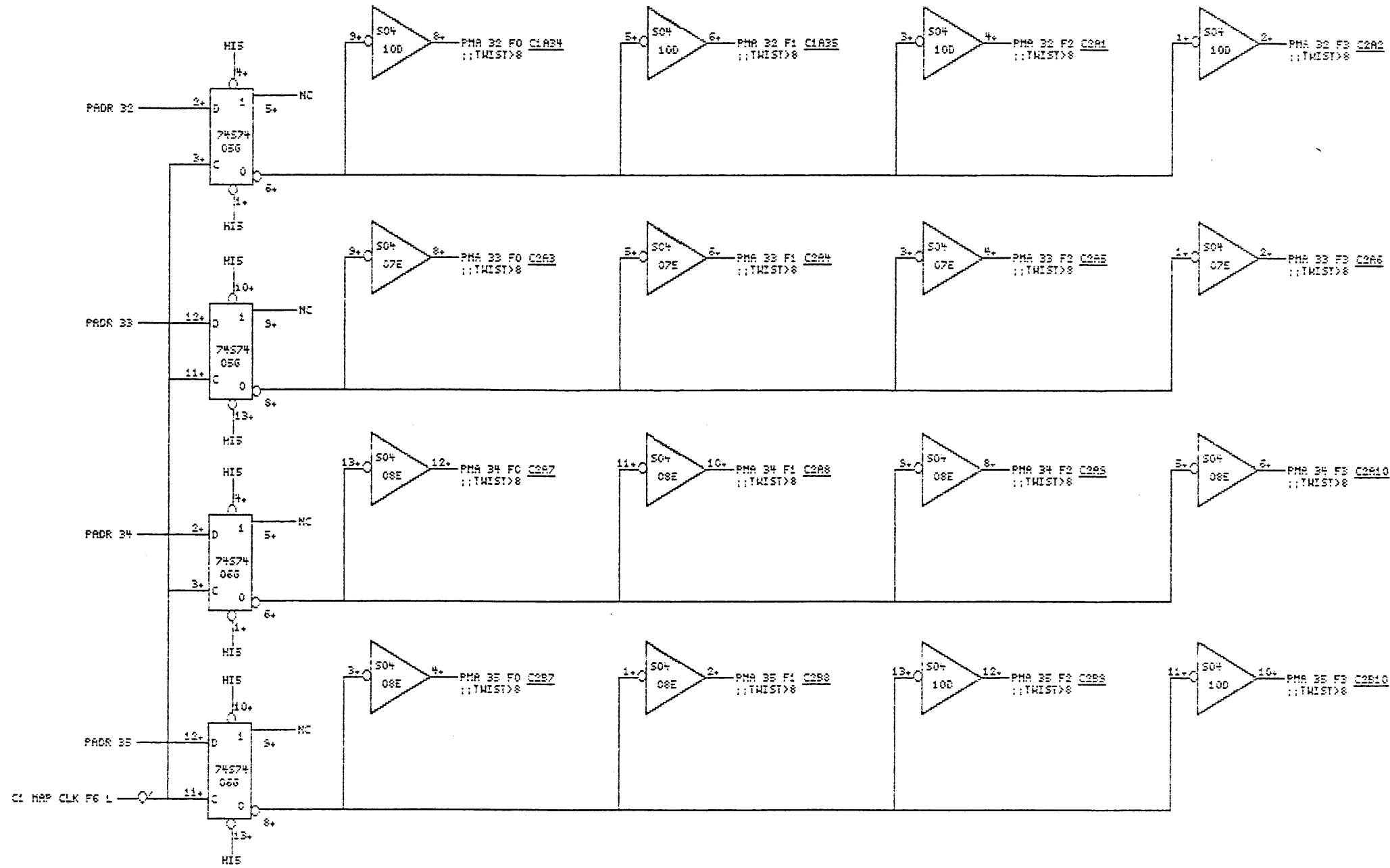






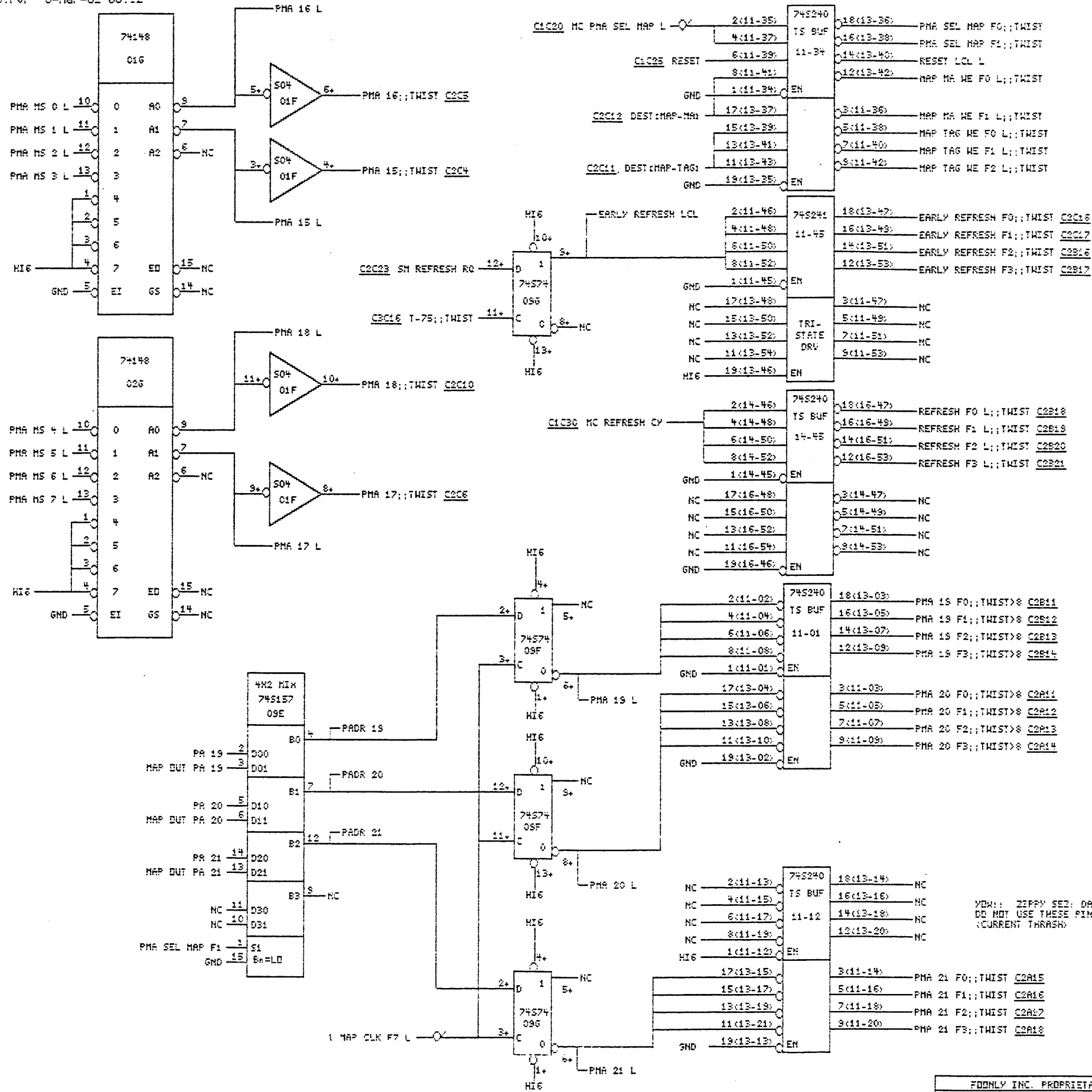






MPPM4.DRW(1.125)

FOONLY INC. PROPRIETARY	REV 0
PROSECUTORS WILL BE VIOLATED	SLOT B17
F4 MAP	
PMA 32-35	PAGE 5 OF 6



VDW: ZIPPY SEE DANGER:
DO NOT USE THESE PINS:
(CURRENT THRASH)

