

# Quick Connection Guide for VideoLabs Flexible Camera Series

**NOTE:**

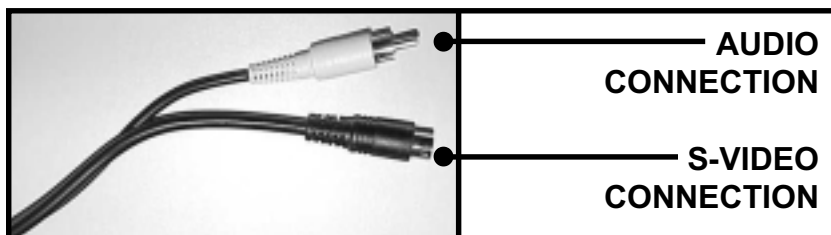
Audio connection is not required for video only image.

## Cable and Cable Breakouts

Each flexible gooseneck camera is equipped with a connection cable. This cable connects to the camera base for the FlexCam, StudentCam and TeachCam. The DocCam has an 8-Pin DIN connector.



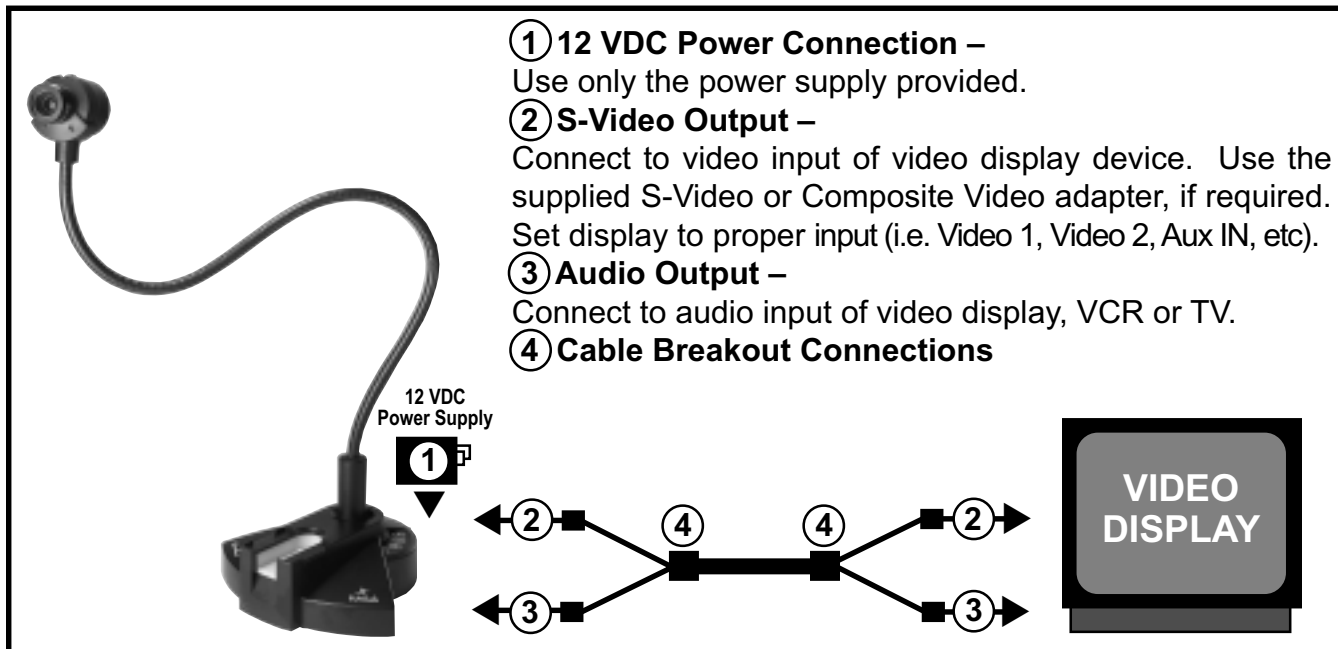
Cable



Cable breakouts

## Audio Connection

VideoLabs cameras have an integrated microphone with line level output. Connect the audio output to an amplifier, TV or VCR.



Basic connection diagram



5960 Golden Hills Drive • Minneapolis, MN 55416-1040  
763-542-0061 • 800-467-7157  
www.videolabs.com  
info@videolabs.com