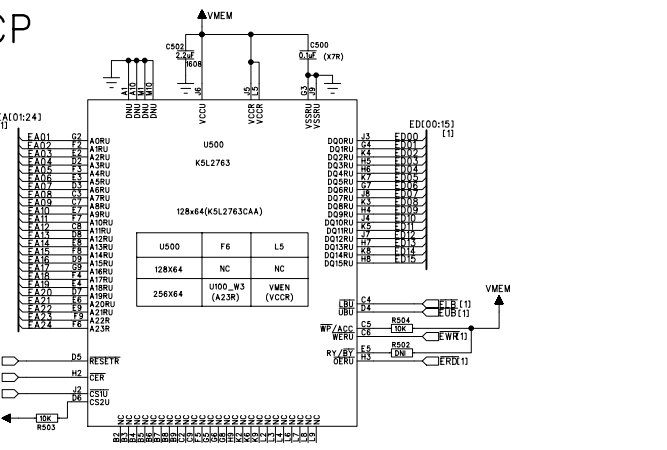
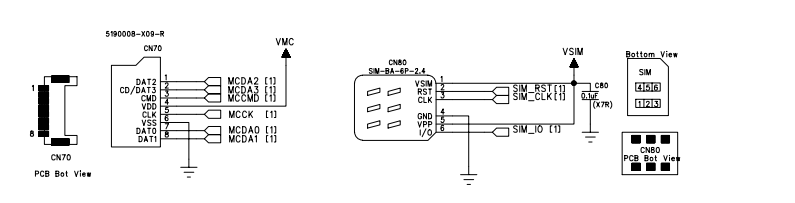


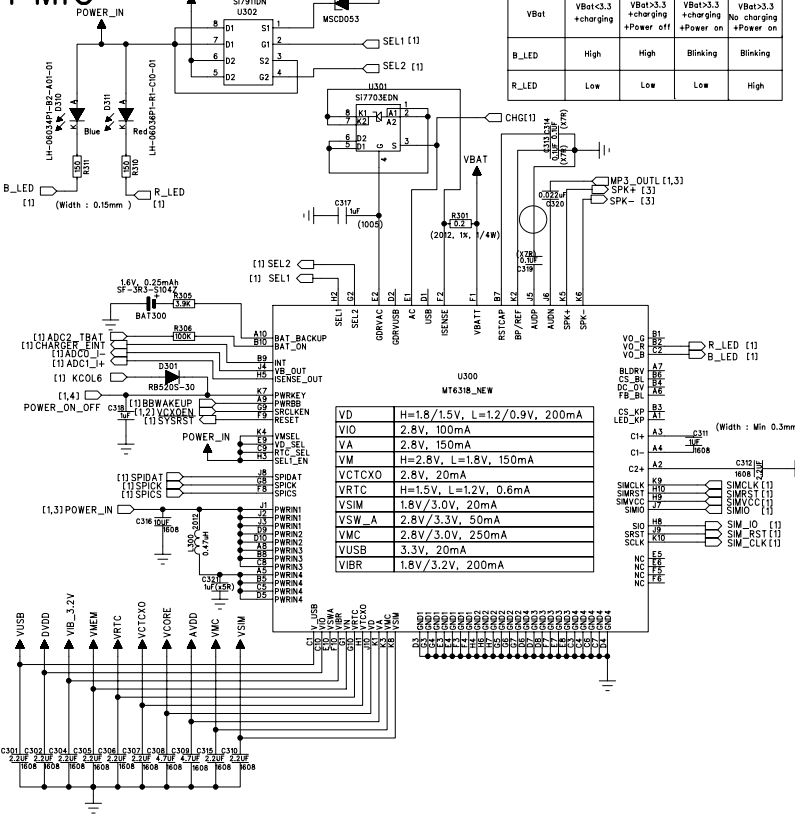
### MCP



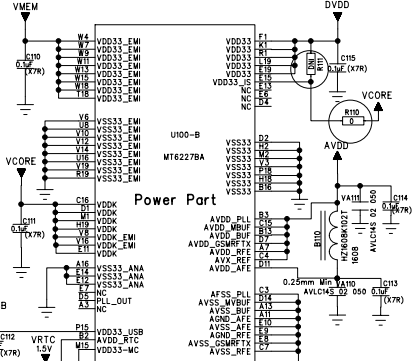
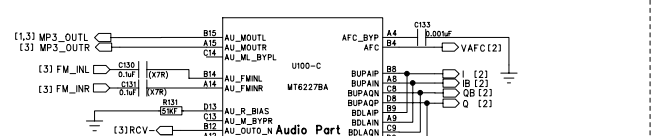
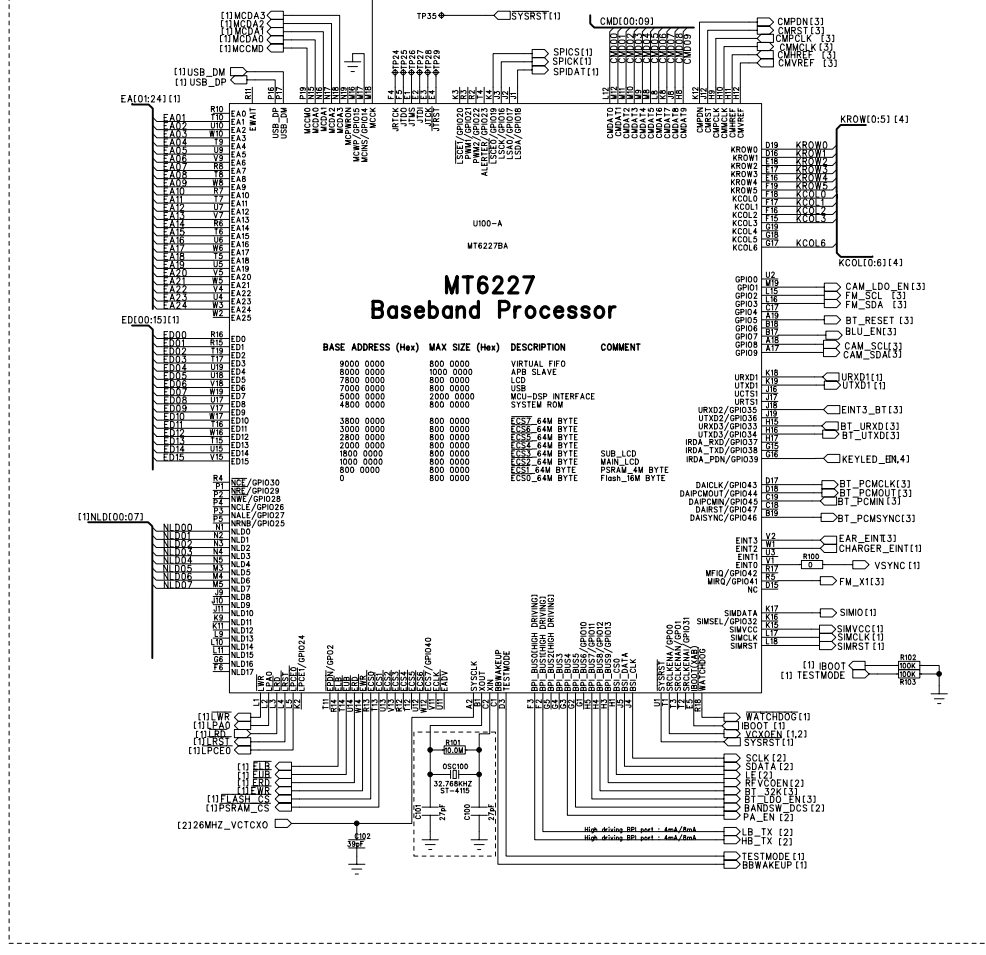
### T-FLASH / SIM



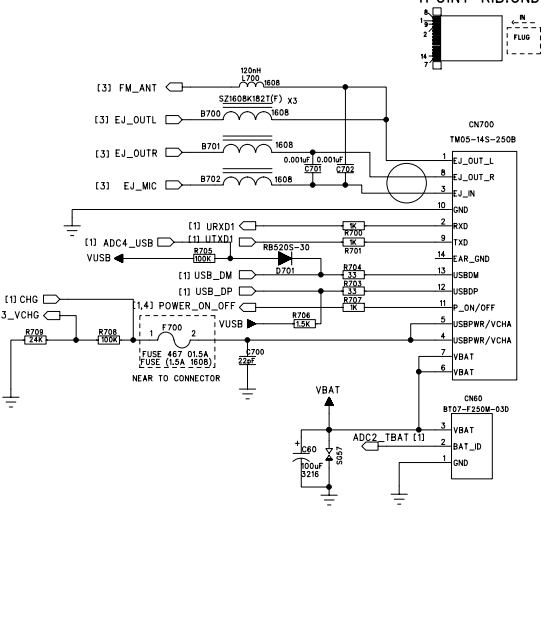
### PMIC



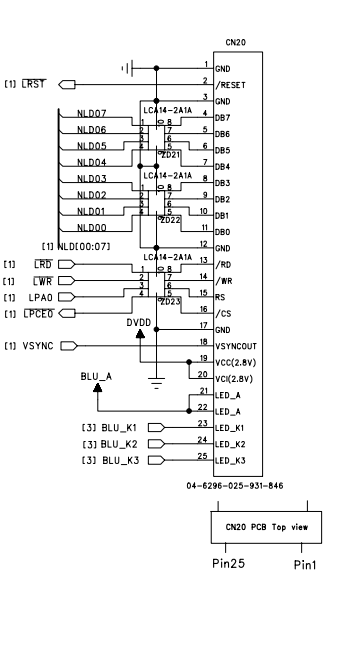
### Baseband



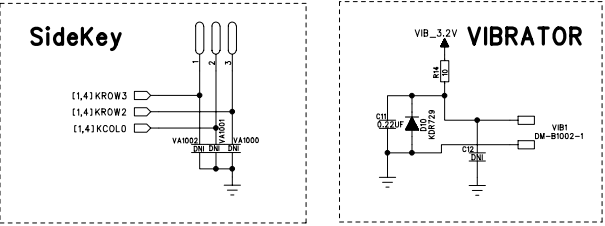
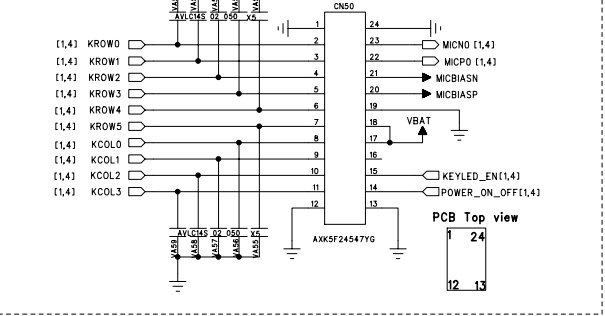
### I/O con



### MAIN/LCD CON



### KEY Connector



Rev.	Date/Name	Scale	Description
VI-1			BASEBAND

6

5

4

3

2

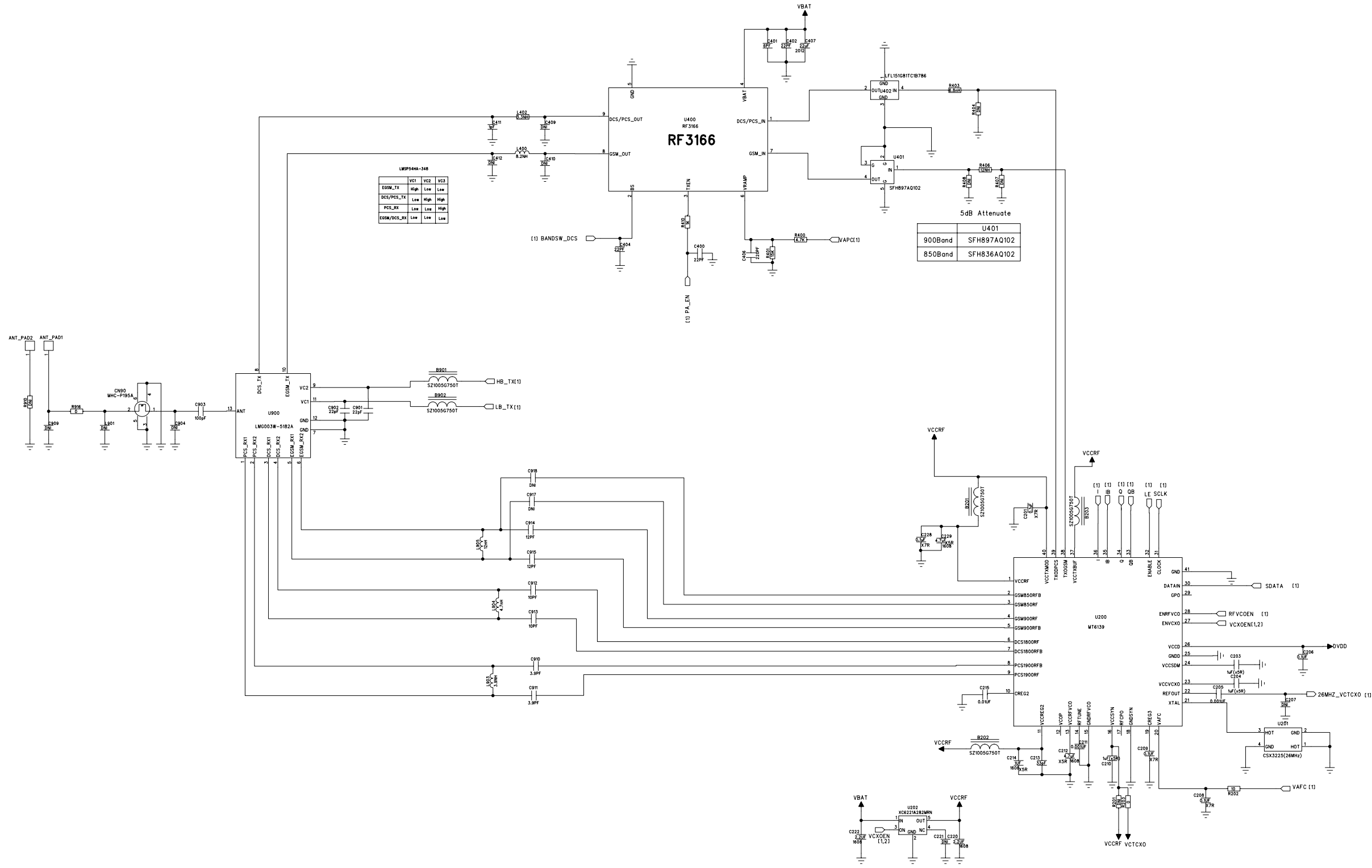
1

D

C

B

A



LMW003W-0182

	VC1	VC2	VC3
GSM_TX	High	Low	Low
DCS/PCS_TX	Low	High	High
PCS_RX	Low	Low	High
GSM/DCS_RX	Low	Low	Low

5dB Attenuate

	U401
900Band	SFH897AQ102
850Band	SFH836AQ102

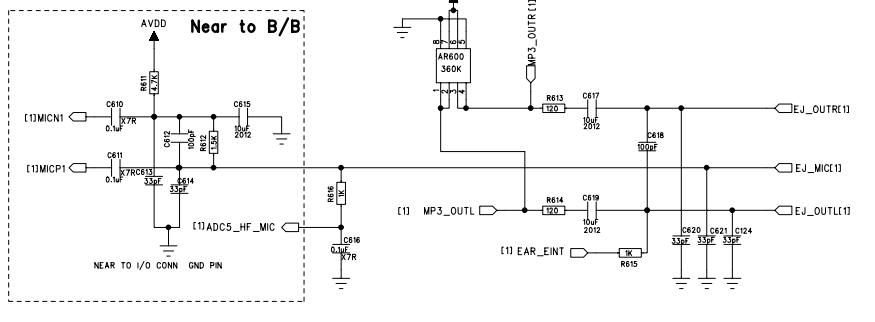
ECR No.	Rev.	Date/Name	Esze Mobile Tech	Scale:	Description:
					TRANSCIVER

VI-1

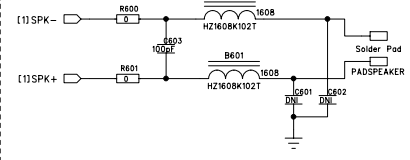
Step 2/4  
MP Per Date 081020 Item

# AUDIO

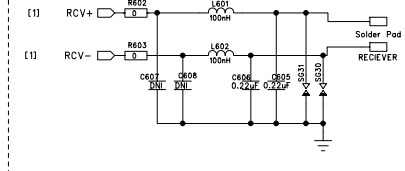
## Ear\_Micro Phone



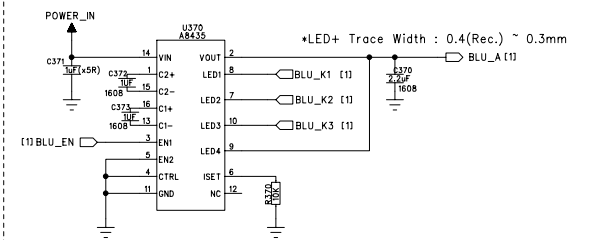
## SPK



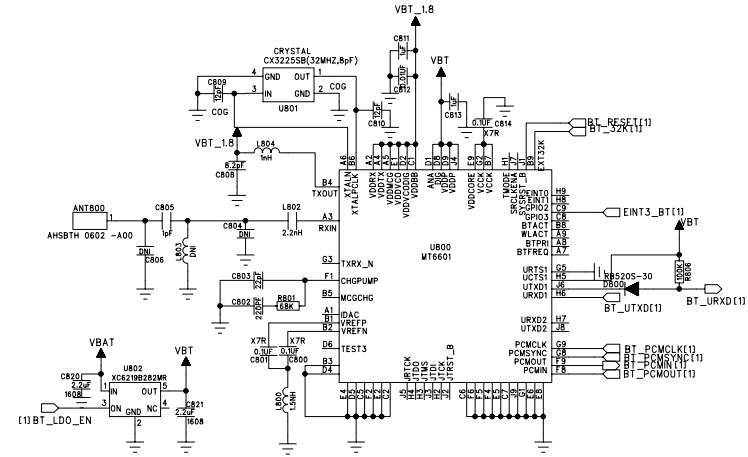
## RECEIVER



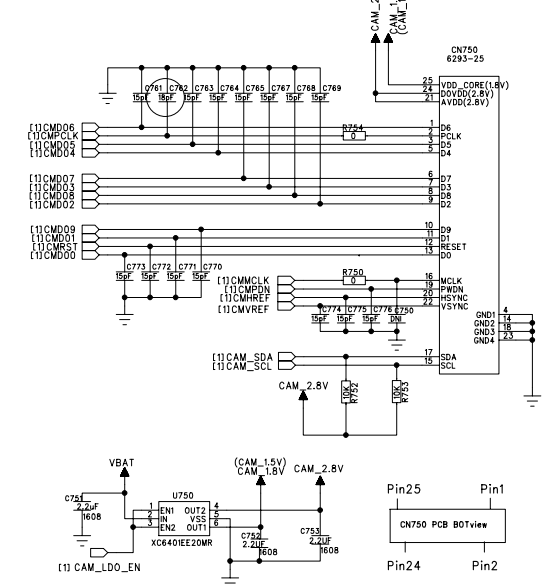
# BLU



# BLUETOOTH

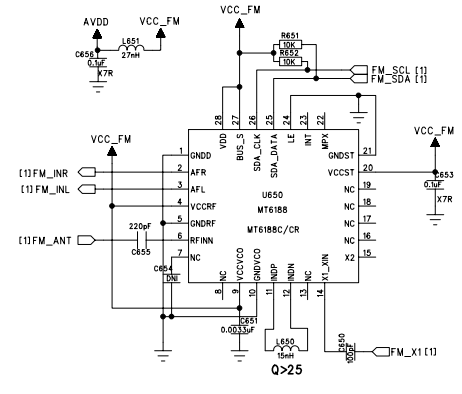


# CAMERA



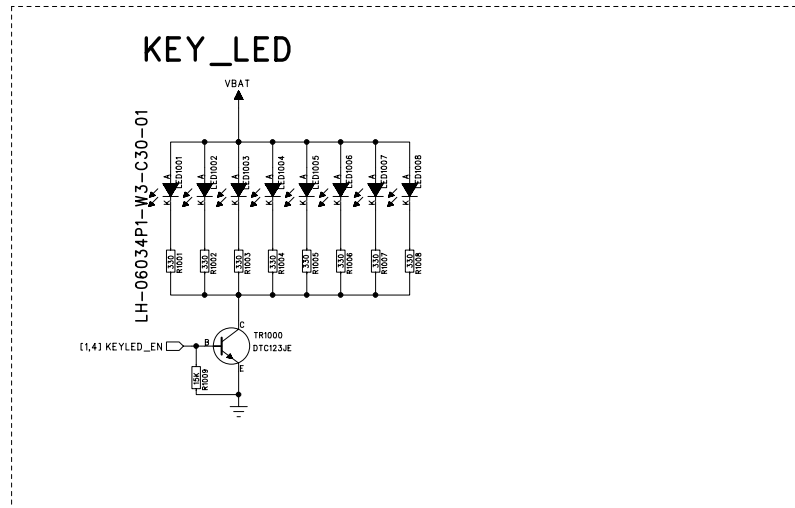
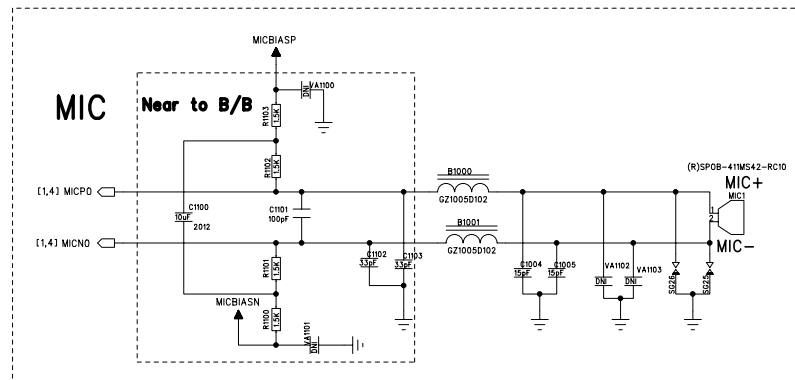
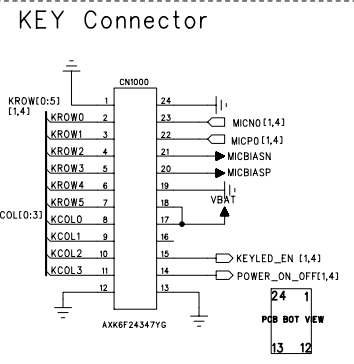
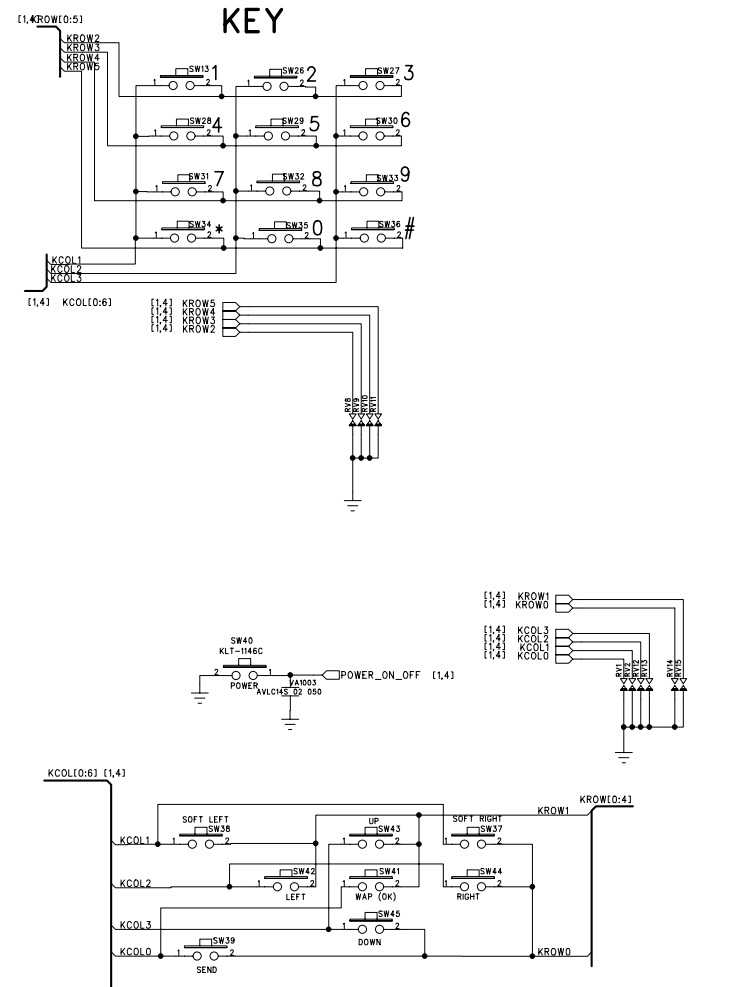
CAM Module	U750		
OV2650	XC6401FF49	1.5/2.8V	
Silicon file	XC6401FF49	1.5/2.8V	
Sharp	XC6401EE20MR	1.8/2.8V	

# FM RECEIVER

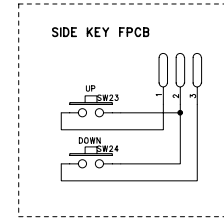


ECR No.	Rev.	Date/Name	Ezze Mobile Tech	Scale:	Description:
					Ear_Micro/MIC/FM/ AUDIO/SPK/BLUETOOTH
				VI-1	
					Sheet 3/4
					Date 081020
					Item

# Main Key PCB



# FPCB



ECR No.	Rev.	Date/Name	Ezze Mobile Tech	Scale:	Description:
				1:1	Main KEY
				VI-1	Sheet 4/4
					Date 081020