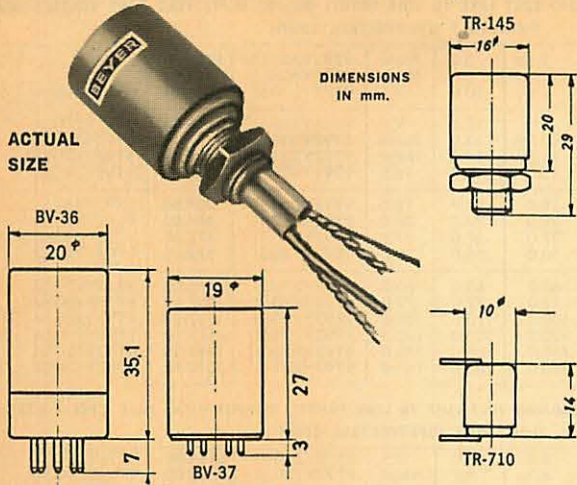


GOTHAM

BEYER TRANSFORMERS MINIATURE AUDIO



The BEYER line of miniature audio transformers distributed by GOTHAM represents over 30 years of experience in the field on the part of one of Europe's largest quality microphone manufacturers. It is for this reason that we make only one type of transformer in two sizes: A low level audio transformer suitable for microphones, tape playback heads, etc.

A special winding process permits these transformers to be made in this miniature size while maintaining studio quality frequency response, distortion, and level capability. The coil is wound on a continuous laminated core which means the elimination of the split core with its inherent losses. Result is a semi-toroidal construction with its superior resistance to hum induction.

BEYER transformers are used in professional audio equipment by such outstanding manufacturers as Ampex, Bauer, Collins, Precision Instrument, Rust, and many others. All transformers are made to special order to O.E.M. users' specifications. Samples can be supplied within 2 weeks, production usually within 4 weeks.

FOUR PHYSICAL MOUNTINGS ARE AVAILABLE:

Threaded Stud: The Model TR-45 Commercial Quality and TR-145 Studio Quality units are offered in mu-metal housing with threaded stud supplied with two nuts.

Solder Lug: The Model TR-45L and TR-145L are same as above but have radial lugs each end of housing to permit terminal board or Vector socket mounting. Also available in sub-miniature TR-710 Model (see fig.). Primary and secondary windings brought out opposite ends of mu-metal can.

Plug-in: The Model BV-36 is encapsulation of TR-45 and TR-145 Models shown above in molded plastic housing with 7-pin miniature plug base. Same mu-metal shielding.

Printed Circuit: The Model BV-37 is encapsulation of TR-45 and TR-145 Models shown above in molded plastic housing only 1.09" high with special 7-pin, 8-pin, or 9-pin printed circuit base.

ELECTRICAL CHARACTERISTICS:

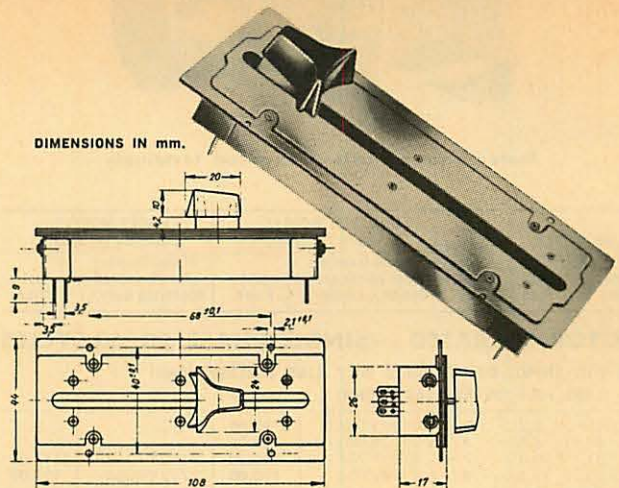
Transformers are supplied with any turns ratio from 1:1 to 1:150, tapped and split windings, static shielding, high voltage test, vacuum impregnating or other requirements.

TYPICAL TRANSFORMER SPECIFICATIONS:

Model TR-145/BV35570 (This Model stocked)

Turns ratio	1:15 ± 10%
Impedance ratio	200/45,000 Ohms nominal
Frequency response	± 0.2 dB 20 - 20,000 cps.
Maximum input level at 1% THD	370 mV at 30 cps.
Primary open circuit inductance (50 cps)	6.0 H
Primary open circuit impedance (50 cps)	1000 Ohms
Primary DC resistance	70 Ohms
Secondary DC resistance	10,000 Ohms
Hum shielding (EIA std.)	> 70 dB.
BASIC PRICE IN QUANTITY OF 1000 UNITS	\$6.48 each

Preh POTENTIOMETERS LINEAR MOTION



- Full range visibility
- Keyed to modern trends
- Increased ease of operation over rotary units
- Tracking or contrary motion
- Linear or logarithmic taper
- High tolerance carbon deposit
- 1000 ohms to 5 megohms
- Bridged "T" configuration available for special applications
- Knobs in red, black, or grey

A unique potentiometer with carbon deposited elements in a linear path. Incorporated in the products of such concerns as General Electric, Seeburg, Sarkes-Tarzian, J. B. Lansing, Bauer, Telefunken, Phillips, Saba, B & O and others.

TECHNICAL DATA

AVAILABLE RESISTANCES:

Linear configuration	1 KOhm to 5 Megohm
Logarithmic configuration	10 KOhm to 5 Megohm

TOLERANCE OF OVERALL RESISTANCE:

Standard type	± 20%
Special type	± 10%

LINEARITY:

Linear configuration	± 20%
----------------------------	-------

POWER DISSIPATION: (nominal)

Linear configuration	0.4 Watts
Logarithmic configuration	0.2 Watts

PERMISSIBLE AMBIENT TEMPERATURE:

At nominal power dissipation	40° C.
At 40% of nominal power dissipation	70° C.

TRACKING OF TANDEM CONTROLS:

Standard	3 dB
Special	2 dB

RESISTANCE CHANGE AFTER 10,000 OPERATIONS:

For resistances of less than 100 KOhms	< 5%
For resistances of more than 100 KOhms	< 10%

FORCE NEEDED FOR ACTUATION OF SLIDE

4-9 ozs.

MECHANICAL LENGTH OF SLIDE PATH

71 mm

ELECTRICAL LENGTH OF SLIDE PATH

56 mm

LIST PRICES

Single element, any taper	4.95
Dual element, any taper tracking or opposing action	6.80

OEM DISCOUNT SCHEDULE AVAILABLE

Tapped construction — Additional cost	
Single	35¢ ea. list
Dual	45¢ ea. list

± 10% tolerance, 10% additional cost each.

Following standard values stocked in New York in small quantities:

10K, 25K, 50K, 100K, AUDIO TAPER
10K, 25K, 50K, 100K, LINEAR TAPER
Single or dual-tracking



GOTHAM AUDIO CORPORATION • NEW YORK, N. Y.