



# HAMPTON®

[www.hampton-fire.com](http://www.hampton-fire.com)

## Freestanding Woodstove

Owners &  
Installation Manual



MODEL: H300

Tested by:



**Installer:** Please complete the details on the back cover  
and leave this manual with the homeowner.

**Homeowner:** Please keep these instructions for future reference.

---

Thank-you for purchasing a  
**HAMPTON FIREPLACE PRODUCT.**

The pride of workmanship that goes into each of our products will give you years of trouble-free enjoyment. Should you have any questions about your product that are not covered in this manual, please contact the **HAMPTON DEALER** in your area.

Keep those **HAMPTON FIRES** burning.

**SAFETY NOTE:** If this woodstove is not properly installed, a house fire may result. For your safety, follow the installation instructions, contact local building, fire officials, or authority having jurisdiction about restrictions and installation inspection requirements in your area.

The authority having jurisdiction should be consulted before installation to determine the need to obtain a permit.


 **WARNING**




**HOT GLASS WILL  
CAUSE BURNS**

**DO NOT TOUCH GLASS  
UNTIL COOLED**

**NEVER ALLOW CHILDREN  
TO TOUCH GLASS**

**NATIONAL  
FIREPLACE  
INSTITUTE**  
**NFI**  
**CERTIFIED**  
[www.nficertified.org](http://www.nficertified.org)

We recommend that our products be installed and serviced by professionals who are certified in the U.S. by the National Fireplace Institute® (NFI) or in Canada by Wood Energy Technical Training (WETT).

 **Wood Energy  
Technical Training**  
[www.wettinc.ca](http://www.wettinc.ca)



# TABLE OF CONTENTS

---

## **SAFETY LABEL**

Copy of Safety Label for H300 .....	4
-------------------------------------	---

## **INSTALLATION**

Unit Dimensions with Standard Legs.....	5
Unit Dimensions with Optional Short Legs .....	6
Pre-installation Assembly .....	7
Residential Installation.....	8
Modular Installation Options .....	8
Minimum Clearance To Combustible Materials .....	9
Minimum Alcove Clearance To Combustible Materials .....	10
Additional Clearances For Backwall Exit.....	10
Floor Protection .....	11
How To Determine If Alternate Floor Protection Materials Are Acceptable.....	12
Step-by-Step Chimney and Connector Installation.....	12
Factory Built Chimney .....	12
Masonry Chimney.....	13
Masonry Fireplace .....	13
Combustible Wall Chimney Connector Pass-throughs .....	14
Recommended Heights For Woodstove Flue.....	15
Mobile Home Installation .....	16
Listed Components For Mobile Home Installation.....	17
Brick Installation .....	18
Door Removal.....	18
Glass Installation .....	18
Optional Short Leg Installation .....	19
Optional Blower / Fan Installation.....	21
Side Shelf Installation .....	22

## **OPERATING INSTRUCTIONS**

Operating Instructions .....	23
Fan Operation.....	23
First Fire .....	23
Safety Guidelines and Warnings .....	24
Draft Control .....	24
Ash Disposal.....	25
Creosote.....	26
Glass Maintenance.....	26

## **MAINTENANCE**

Maintenance .....	26
Wood Storage.....	26
Front Door Gasket.....	27
Side Door Gasket.....	27
Handle Replacement.....	27
Latch Adjustment Method.....	27
Side Door Adjustment.....	27
Top Baffle Replacement .....	28

## **PARTS LIST**

H300 Main Assembly.....	29
H300 Door Assembly.....	31
H300 Firebrick .....	32

## **WARRANTY**


Warranty .....	35
----------------	----

# SAFETY LABEL

This is a copy of the label that accompanies each Hampton H300 Freestanding Woodstove. We have printed a copy of the contents here for your review.

**NOTE:** Hampton units are constantly being improved. Check the label on the unit and if there is a difference, the label on the unit is the correct one.

## COPY OF SAFETY LABEL FOR H300

Tested & Listed By:  Portland Oregon USA  
OMNI-Test Laboratories, Inc.


**LISTED SPACE HEATER, SOLID FUEL TYPE, ALSO SUITABLE FOR MOBILE HOME INSTALLATION**

**MODEL: HAMPTON CAST FREESTANDING WOOD STOVE - H300**  
TESTED TO: UL-1482, ULC-S627-00

**DO NOT REMOVE THIS LABEL**

254

254



INSTALL AND USE ONLY IN ACCORDANCE WITH THE MANUFACTURER'S INSTALLATION AND OPERATING INSTRUCTIONS. CONTACT LOCAL BUILDING OR FIRE OFFICIALS ABOUT RESTRICTIONS AND INSTALLATION INSPECTION IN YOUR AREA. USE 150 MM (6 IN.) DIAMETER MINIMUM 24 MSG BLACK OR 26 MSG BLUED STEEL CONNECTOR WITH LISTED UL103 HT FACTORY-BUILT CHIMNEY SUITABLE FOR USE WITH SOLID FUELS OR MASONRY CHIMNEY. SEE LOCAL BUILDING CODE AND MANUFACTURER'S INSTRUCTIONS FOR PRECAUTIONS REQUIRED FOR PASSING A CHIMNEY THROUGH A COMBUSTIBLE WALL OR CEILING. DO NOT PASS CHIMNEY CONNECTOR THROUGH COMBUSTIBLE WALL OR CEILING. DO NOT CONNECT THIS UNIT TO A CHIMNEY FLUE SERVING ANOTHER APPLIANCE.

DEC

NOV

OCT

SEPT

AUG

JUL

JUN

MAY

APR

MAR

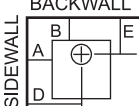
FEB

JAN

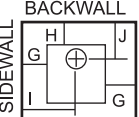
DATE OF MANUFACTURE

2010  2011  2012

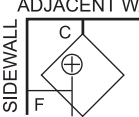
MINIMUM CLEARANCES TO COMBUSTIBLE MATERIALS			
MEASURE FROM	HEATER	FLUE CENTER-LINE	
RESIDENTIAL INSTALLATION USING SINGLE WALL CONNECTOR			
SIDEWALL	A 431 mm / 17 in	D 762 mm / 30 in	
BACKWALL	B 381 mm / 15 in	E 381 mm / 15 in	
CORNER	C 330 mm / 13 in	F 483 mm / 19 in	
INSTALLATION USING LISTED DOUBLE WALL CONNECTOR - MOBILE HOME			
SIDEWALL	A 381 mm / 15 in	D 711 mm / 28 in	
BACKWALL	B 254 mm / 10 in	E 254 mm / 10 in	
CORNER	C 228 mm / 9 in	F 381 mm / 15 in	
INSTALLATION USING LISTED DOUBLE WALL CONNECTOR - RESIDENTIAL CLOSE CLEARANCE			
SIDEWALL	A 381 mm / 15 in	D 711 mm / 28 in	
BACKWALL	B 254 mm / 10 in	E 254 mm / 10 in	
CORNER	C 228 mm / 9 in	F 381 mm / 15 in	
INSTALLATION USING LISTED DOUBLE WALL CONNECTOR - ALCOVE			
SIDEWALL	G 381 mm / 15 in	I 711 mm / 28 in	
BACKWALL	H 330 mm / 13 in	J 330 mm / 13 in	




BACKWALL SIDEWALL



BACKWALL SIDEWALL



ADJACENT WALL SIDEWALL


**FLOOR PROTECTION\*** 

K 457 mm / 18 in  
L 150 mm / 6 in  
M 150 mm / 6 in

\*In Canada, floor protection must extend 18" (457mm) to the front and 8" (200mm) to each side and back of the stove.

**IF SIDE LOAD DOOR IS USED:**  
Floor protection must extend 18" (457mm) from the side of the unit to the wall.  
Floor protection must be a minimum of 3/8" thick with a minimum k factor of 0.84.  
Minimum clearance with side load door in use is 18" (457mm) to side wall or refer to dimension (A) if side load door is not used.


MINIMUM ALCOVE CEILING HEIGHT: 1.5 M / 5 FT      MAXIMUM ALCOVE DEPTH 1220 MM / 48 IN.  
MINIMUM CLEARANCES FOR HORIZONTAL CONNECTOR TO CEILING: 457 MM / 18"  
THE SPACE BENEATH THE HEATER MUST NOT BE OBSTRUCTED. OPERATE ONLY WITH FIREBRICKS IN PLACE.  
FOR USE WITH SOLID WOOD FUEL ONLY. USE OF OTHER FUELS MAY DAMAGE HEATER AND CREATE A HAZARDOUS CONDITION. DO NOT OBSTRUCT COMBUSTION AIR OPENINGS. OPERATE ONLY WITH FIREBRICKS IN PLACE. OPERATE ONLY WITH DOOR CLOSED - OPEN FEED DOOR TO FEED FIRE ONLY. DO NOT USE GRATE OR ELEVATE FIRE. BUILD WOOD FIRE DIRECTLY ON HEARTH. DO NOT OVERFIRE - IF HEATER OR CHIMNEY CONNECTOR GLOWS YOU ARE OVERFIRING. INSPECT AND CLEAN CHIMNEY AND CONNECTOR FREQUENTLY. UNDER CERTAIN CONDITIONS OF USE CREOSOTE BUILDUP MAY OCCUR RAPIDLY. KEEP FURNISHINGS AND OTHER COMBUSTIBLE MATERIAL AWAY FROM HEATER. REPLACE GLASS ONLY WITH NEOCERAM GLASS. COMBUSTIBLE FLOOR MUST BE PROTECTED BY NON-COMBUSTIBLE MATERIAL EXTENDING BENEATH THE HEATER AND TO THE FRONT AND SIDES AS INDICATED OR TO THE NEAREST PERMITTED COMBUSTIBLE MATERIAL.  
OPTIONAL COMPONENT: FAN (846-515), ELECTRICAL RATING: VOLTS 115, 60 HZ, 2 AMPS, SHORT LEGS (200-931, 200-935)  
DANGER: RISK OF ELECTRIC SHOCK. DISCONNECT POWER BEFORE SERVICING UNIT. DO NOT ROUTE POWER CORD UNDER OR IN FRONT OF APPLIANCE.  
COMPONENTS REQUIRED FOR MOBILE HOME INSTALLATION: OUTSIDE AIR KIT AND ONE OF THE FOLLOWING DOUBLE WALL CONNECTOR  
IN CANADA: LISTED SECURITY MODEL DP, OR OLIVER MACLEOD PRO-VENT PV DOUBLE WALLED CONNECTOR WITH LISTED CHIMNEY SYSTEM: SECURITY MODEL S2100, ICC EXCEL 2100.  
IN USA: LISTED DOUBLE WALL CONNECTORS SECURITY MODEL DP, SELKIRK MODEL DS, OLIVER MACLEOD PRO VENT PV, SIMPSON DURA VENT MODEL DVL, GSW SUPER PIPE 6, METAL-FAB DOUBLE WALL. CONNECTED TO ONE OF THE FOLLOWING COMPATIBLE CHIMNEY SYSTEMS SECURITY MODEL S2100 OR MODEL ASHT, SELKIRK MODEL SSII, OLIVER MACLEOD PRO JET 3103, SIMPSON DURA PLUS, GSW MODEL SC OR METAL-FAB TEMP/GUARD, AMERI-TECHS, ICC EXCEL 2100. USE CHIMNEY COMPONENTS AS SPECIFIED IN INSTALLATION INSTRUCTIONS.



MANUFACTURED BY:  
FPI FIREPLACE PRODUCTS INTERNATIONAL LTD.  
6988 VENTURE ST.  
DELTA, BC V4G 1H4  
MADE IN CANADA

UNITED STATES ENVIRONMENTAL PROTECTION AGENCY

CERTIFIED TO COMPLY WITH JULY 1990 PARTICULATE EMISSION STANDARDS.



**CAUTION**

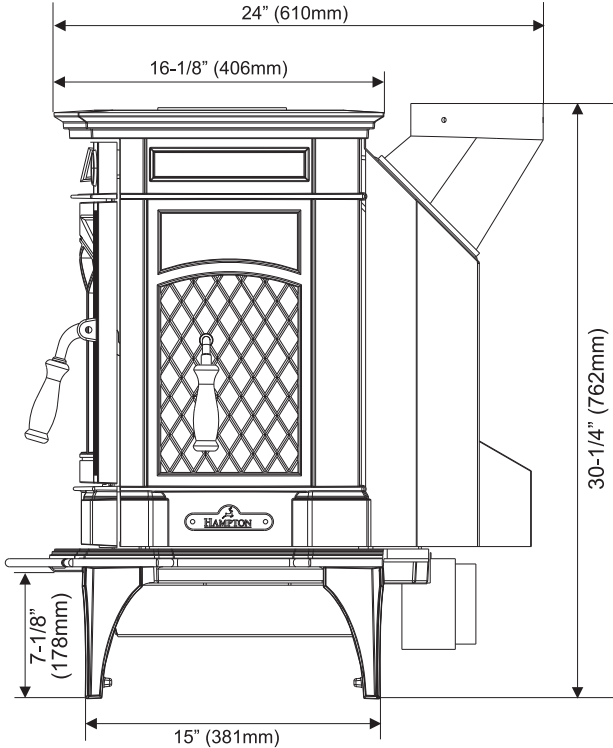
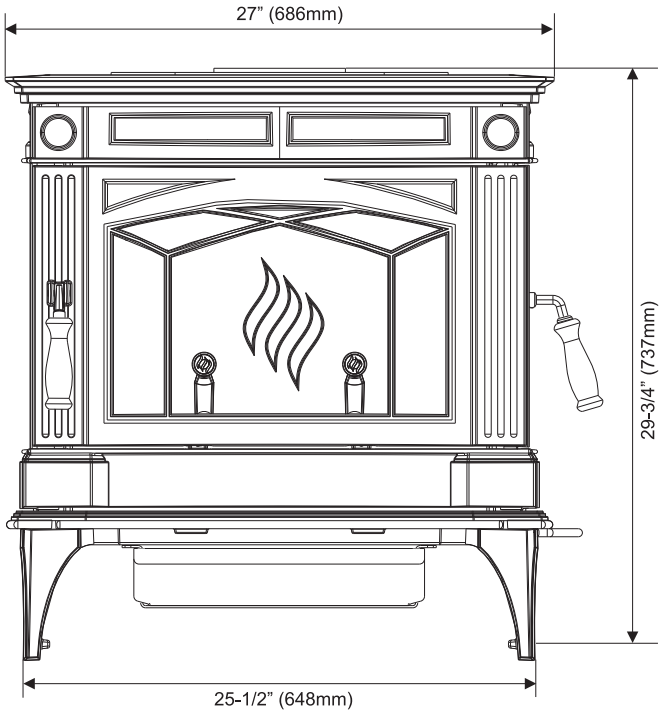
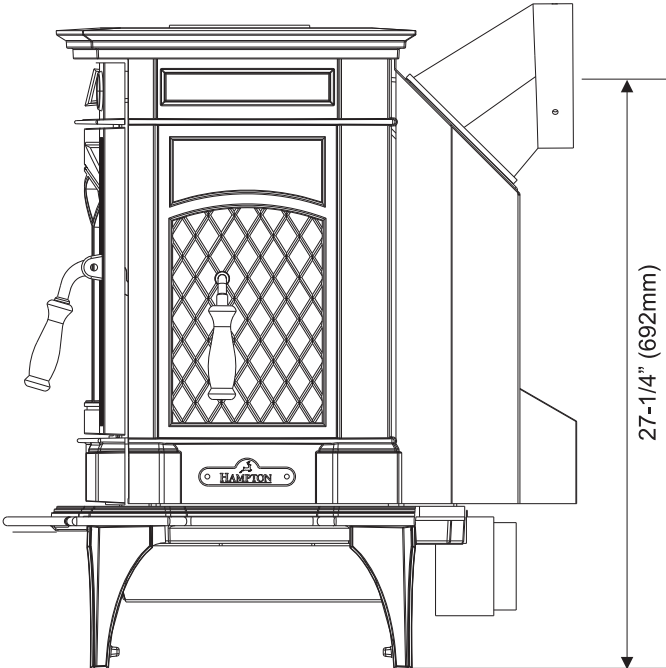
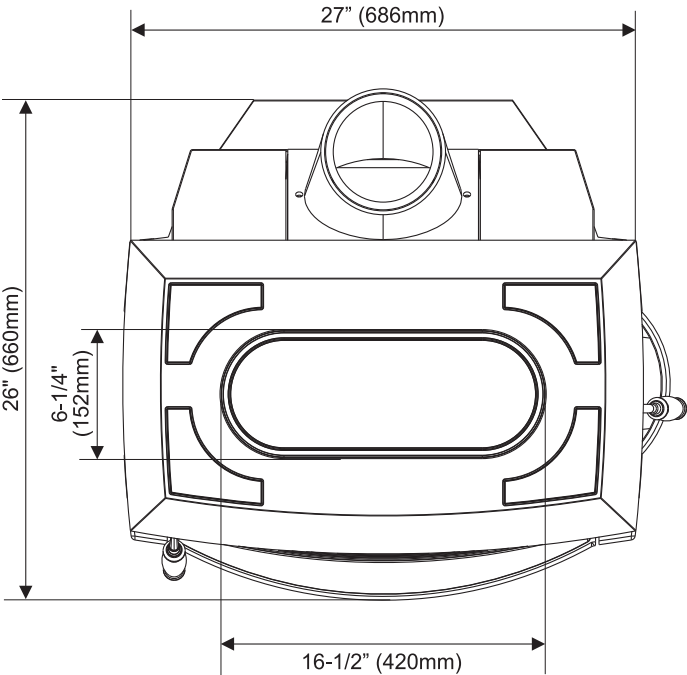
**HOT WHILE IN OPERATION DO NOT TOUCH. KEEP CHILDREN, CLOTHING AND FURNITURE AWAY. CONTACT MAY CAUSE SKIN BURNS. READ NAMEPLATE AND INSTRUCTIONS.**

918-216b

4

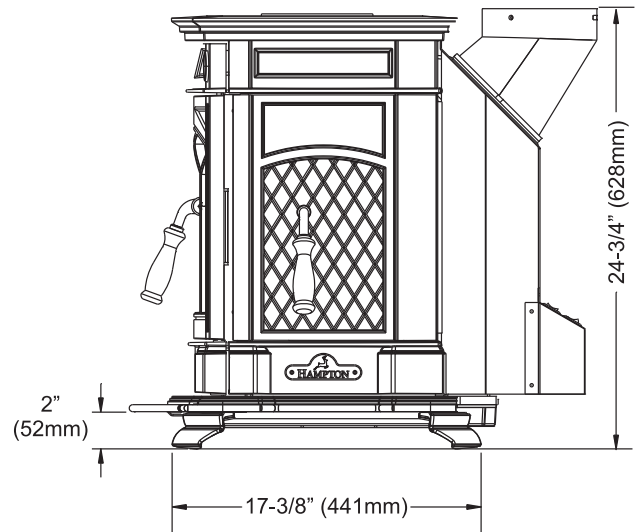
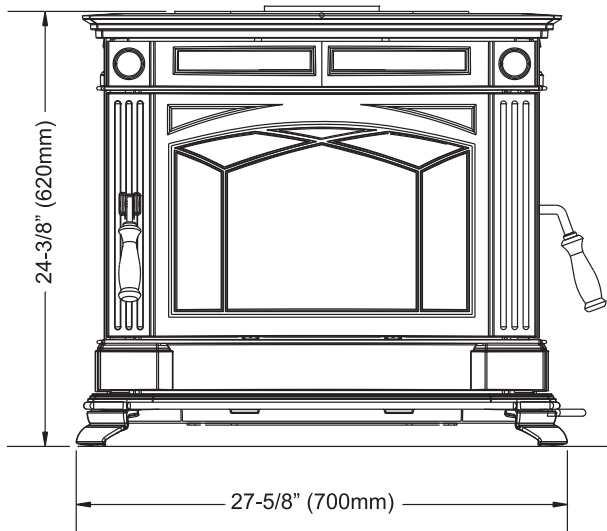
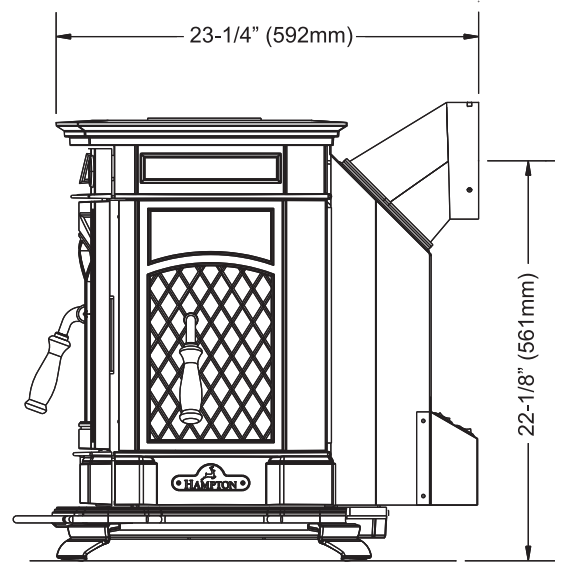
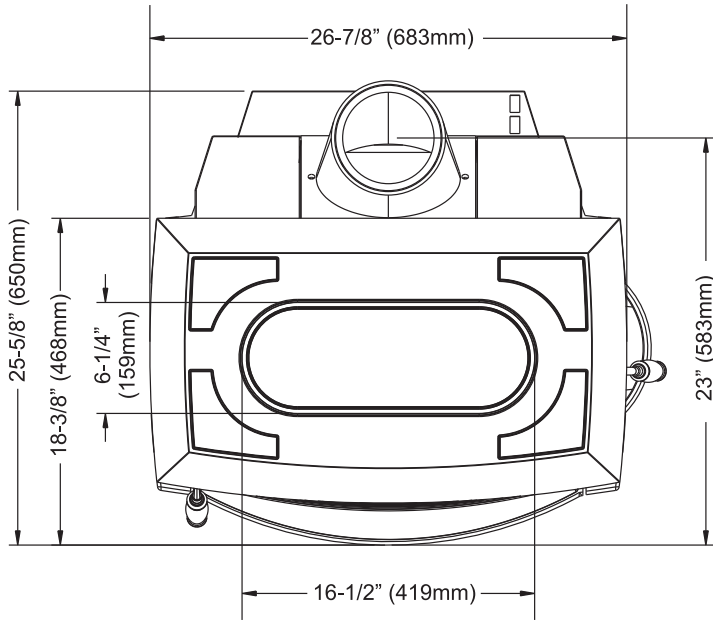
Hampton H300 Cast Freestanding Woodstove

## UNIT DIMENSIONS WITH STANDARD LEGS



# INSTALLATION

## UNIT DIMENSIONS WITH OPTIONAL SHORT LEGS



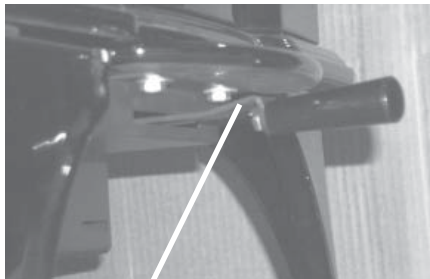
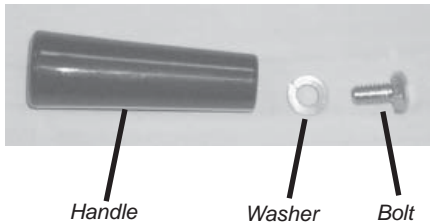


## PRE-INSTALLATION ASSEMBLY

After removing the stove from its packing, open the front door and remove the contents from the firebox, leaving the bricks in place.

### Draft Control Lever Handle

- 1) Insert bolt and lock washer through draft control lever hole.
- 2) Place handle through bolt. Tighten to secure.

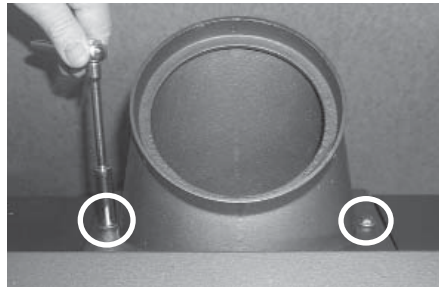


Draft Control Lever

### Rotating Elbow

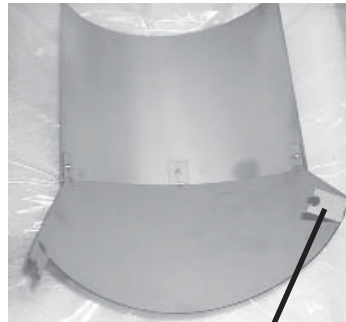
This stove can be connected to either a top or rear vent exit by simply reversing the orientation of the elbow.

Simply remove the 2 screws, change the position of the elbow as desired and secure in place with screws.



### Rear Heat Shield

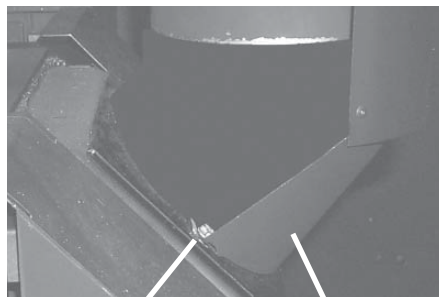
- 1) Loosen the bolts that secure the elbow to the unit. Ensure elbow does not fall off.
- 2) Bend the tabs on the rear heat shield inwards 90 degrees.



Bend tabs inwards 90 degrees.

- 3) Slide the tabs on the rear heat shield in between the bolt and washer.

**Please Note:** The shield needs to be stretched/ flexed in order to fit in place.



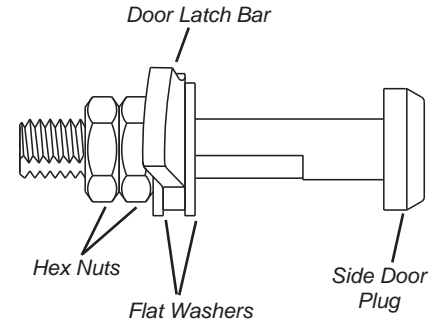
Slide tabs in between washer and bolt.      Rear Heat Shield

- 4) Once rear heat shield is evenly in place, tighten bolts to secure.

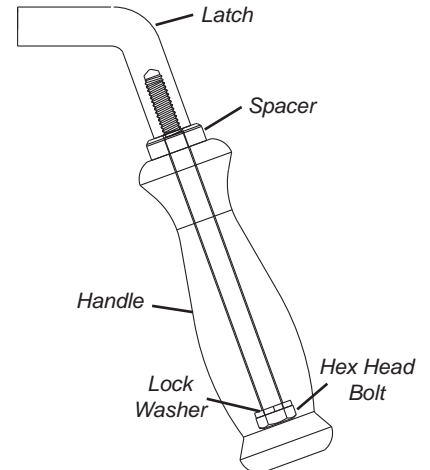
### Side Load Door Handle

- 1) To install side door handle, remove side door plug assembly.

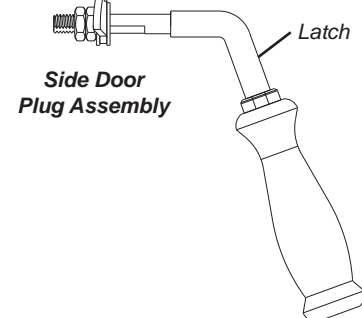
#### Side Door Plug Assembly



- 2) Assemble handle by:
  - a) Placing lock washer over hex head bolt.
  - b) Place hex head bolt into handle.
  - c) Place spacer over hex head bolt threads.
  - d) Screw handle into side door latch.



- 3) Place side door handle latch through side door hole.
- 4) Re-assemble side door plug assembly to secure.



# INSTALLATION

## RESIDENTIAL INSTALLATION

- 1) Please read this entire manual before you install and use your new woodstove. Failure to follow instructions may result in property damage, bodily injury or even death. Be aware that local Codes and Regulations may override some items in this manual. Check with your local inspector.
- 2) Select a position for your Hampton Stove. Consult the minimum clearance chart for your model and set the stove in place. For close clearance installation use listed double wall connector systems.
- 3) To insure vertical alignment, suspend a plumb bob from the ceiling over the exact center of your stove flue and mark a spot on the ceiling to indicate the center of the chimney.
- 4) Check that the area above the ceiling is clear for cutting. Re-confirm the clearance from the stove to combustibles to insure that they are within the prescribed limits.
- 5) This woodstove must be connected to a UL 103 HT (ULC S629) listed chimney or a code approved masonry chimney with a flue liner.
- 6) Install chimney according to chimney manufacturers instructions. The performance of your woodstove is governed to a very large part by the chimney system. Too short a chimney can cause difficult start-up, dirty glass, backsmoking when door is open, and

even reduced heat output. Too tall a chimney may prompt excessive draft which can result in very short burn times and excessive heat output. The use of an inexpensive flue pipe damper may be helpful in reducing excessive draft.

**CAUTION:** The chimney should be the same size as the 6" (152mm) flue outlet on the stove. The chimney must be listed as suitable for use with solid fuels. For other types of chimneys check with your local building code officials. Do not confuse a chimney with a type "B" Venting System used for gas appliances as suitable for a wood burning appliance (refer to the Mobile Home installations section).

- 7) Mark the location of the legs on the floor, then move the stove aside and mark the position of the floor protector.
- 8) The floor protector must be of non-combustible material and must extend 18" (457mm) in front of the door opening and 6" (152mm) to the sides and rear of the unit. Some areas may require a larger size floor protector. Refer to the Mobile Home Installation section for outside air installation instructions and see your local inspector.
- 9) When the floor protection is complete, position the stove with the flue collar centered under the installed chimney.

**NOTE: In Canada, floor protection must extend 18" (450mm) to the front and 8" (200mm) to each side and back of the stove.**

- 10) In seismically active areas, we recommend that your unit is secured to the floor by using the bolt down holes inside the legs (the same ones used in Mobile Home installations).
- 11) For residential installations using 6" (152mm) "C" Vent (single wall) the chimney connector must be at least 24 gauge steel. Do not use galvanized pipe (refer to the Mobile Home installation section).
- 12) **Do not connect this unit to a chimney serving another appliance.**
- 13) A chimney connector cannot pass through an attic or roof space, closet or similar concealed space, or a floor, ceiling, wall or partition of combustible construction. In Canada, if passage through a wall, or partition of combustible construction is desired, the installation shall conform to CAN/CSA-B365, Installation Code for Solid-Fuel-Burning Appliances and Equipment.
- 14) Your Hampton Woodstove is not to be connected to any air distribution duct.

**Emissions from burning wood or gas could contain chemicals known to the State of California to cause cancer, birth defects or other reproductive harm.**

## MODULAR INSTALLATION OPTIONS

**OPTIONS:** These can be installed at time of installation or added later:

Modular Option	Things to consider when choosing options
<b>Blower/Fan</b>	Adding the blower will increase the area heated by the stove, it can move warm air beyond the room where the stove is installed (refer to the Optional Blower / Fan Installation section).
<b>Side Load Door</b>	The side load door allows for putting in larger logs into the fire easier ( refer to Side Load Door section).
<b>Outside Air Adaptor</b>	Helps combustion in small or poorly ventilated houses. Installation instructions come with adaptor.
<b>Side Shelves</b>	Add to the traditional look of the stove and double as a warming area for your cookstove creations.
<b>Short legs</b>	Helps in reducing the overall height of the unit to accommodate a variety of installations. Using this option prohibits the use of the ash drawer.

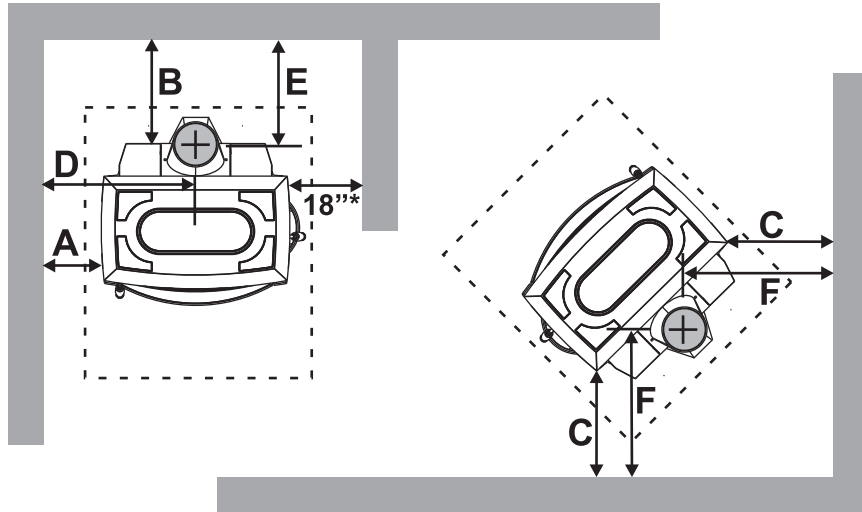


## MINIMUM CLEARANCE TO COMBUSTIBLE MATERIALS

Please read the section below carefully. Measurements "From Unit" are from the top plate of the stove to a side wall or to a corner, and from the rear heat shield to a back wall.

Clearances may only be reduced by means approved by the regulatory authority.

\* Minimum clearance with side load door in use is 18" (457mm) to side wall or refer to dimension (A) if side load door is not used.



**NOTE:** Be aware that local Codes and Regulations may override some clearances listed in this manual. Check with your local inspector.

### Residential Installation "C" Vent (Single Wall)

Unit (with Heat Shield)	From Unit		From Corner C	From Flue Center-Line		
	A	B		D	E	F
H300	17" (431 mm)	15" (381 mm)	13" (330 mm)	30" (762 mm)	15" (381 mm)	19" (483 mm)

### Residential Close Clearance (To be installed with required pipe components)

When the stove is installed as a close clearance residential unit, a listed double wall connector is required from the stove collar to the ceiling level.

Unit (with Heat Shield)	From Unit		From Corner C	From Flue Center-Line		
	A	B		D	E	F
H300	15" (381 mm)	10" (254 mm)	9" (228 mm)	28" (711 mm)	10" (254 mm)	15" (381 mm)

### Mobile Home Close Clearance (To be installed with required pipe components)

"C" Vent single wall pipe is not approved for Mobile Home installations. (Refer to Mobile Home section).

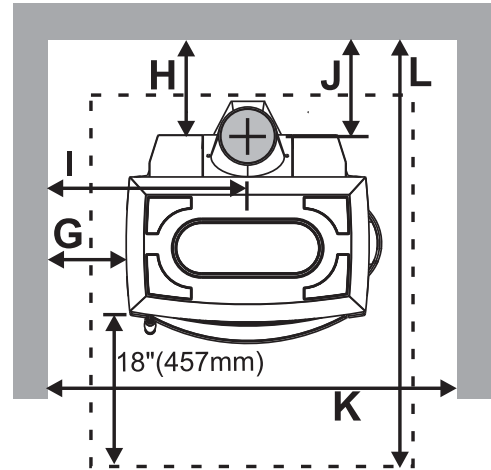
Unit (with Heat Shield)	From Unit		From Corner C	From Flue Center-Line		
	A	B		D	E	F
H300	15" (381 mm)	10" (254 mm)	9" (228 mm)	28" (711 mm)	10" (254 mm)	15" (381 mm)

# INSTALLATION

## MINIMUM ALCOVE CLEARANCE TO COMBUSTIBLE MATERIALS

This Hampton Freestanding model has been alcove approved and must be installed with a listed double wall connector to the ceiling level.

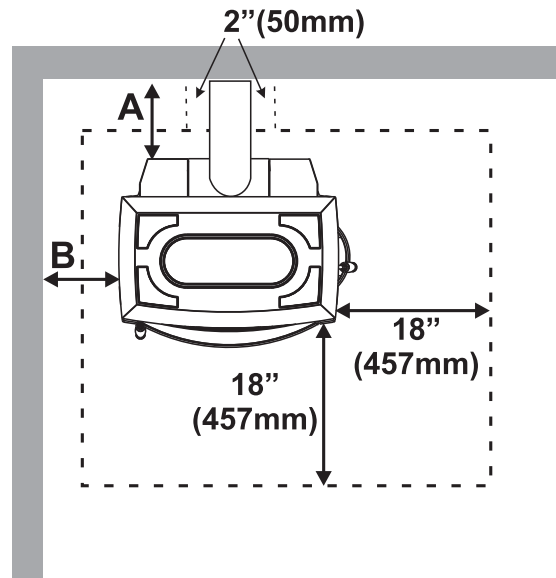
**Note:** Minimum alcove ceiling height (from finished floor) - 60" (1525 mm)  
Maximum depth of alcove - 48" (1220 mm)



Unit (with Heat Shield)	From Unit		From Flue Center-line		Min. Width K	Min. Hearth to Rear Wall L
	G	H	I	J		
H300	15" (381 mm)	13" (330 mm)	28" (711 mm)	13" (330 mm)	57" (1448 mm) without side load door	51-1/4" (1301 mm)
					60" (1524 mm) with side load door	

## ADDITIONAL CLEARANCES FOR BACKWALL EXIT

Minimum Clearance to Combustibles		
Unit (with Heat Shield)	From Unit	
	A	B
H300	9" (228 mm)	15" (381 mm)
Min. Mantel Height (from finished floor):	48" 1219 mm	
Max. Mantel Depth:	12" 305 mm	



Minimum Clearance to Non-Combustibles		
Unit (with Heat Shield)	From Unit	
	A	B
H300	min. 0" (0 mm) max. 9" (228 mm)	15" (381 mm)

**Note:** Floor Protection must extend 2" (50mm) to each side of the elbow.

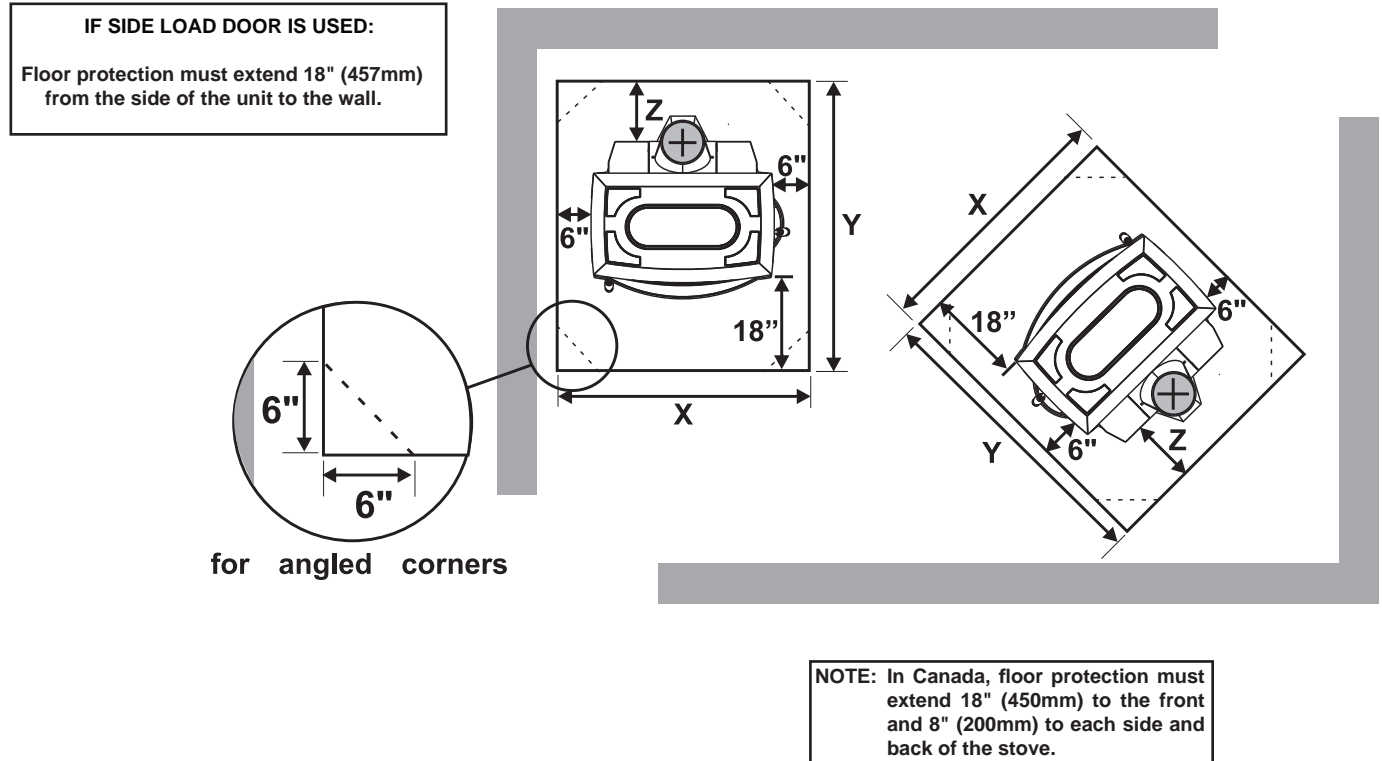
**Note:** If side load door is used, floor protection must extend at least 18" (457mm) from the side of the unit.

## FLOOR PROTECTION

A combustible floor must be protected by non-combustible material (like tile, concrete board, or certified to UL-1618 or as defined by local codes) extending beneath the heater and a minimum of 6" from each side and minimum 18" from the front face of the stove and minimum 6" (or the rear clearance to combustibles whichever is smaller) from the rear of the stove.

When installed with horizontal venting, non-combustible floor protection must be beneath the flue pipe and extend 2" (51mm) beyond each side.

A minimum of a 1/2" thick thermal floor protector with a 0.84k factor is required when installing the standard or optional short legs. This applies to both Canada and the US. All other requirements (ie. hearth size) remain the same.



Minimum Overall Depth (Y) of Floor Protector								
Unit	Residential "C" Vent		Residential Close Clearance		Mobile Home Close Clearance		Alcove	
	Y	Z	Y	Z	Y	Z	Y	Z
<b>H300 (US)</b>	44-1/2" (1130 mm)	6" (152 mm)	44-1/2" (1130 mm)	6" (152 mm)	44-1/2" (1130 mm)	6" (152 mm)	44-1/2" (1130 mm)	6" (152 mm)
<b>H300 (Canada)</b>	46-1/2" (1181 mm)	8" (203 mm)	46-1/2" (1181 mm)	8" (203 mm)	46-1/2" (1181 mm)	8" (203 mm)	46-1/2" (1181 mm)	8" (203 mm)
Minimum Overall Width (X) of Floor Protector for all installations:								
<b>H300</b>	39" (990 mm) - US							

# INSTALLATION

## HOW TO DETERMINE IF ALTERNATE FLOOR PROTECTION MATERIALS ARE ACCEPTABLE

The specified floor protector should be 3/8" (18mm) thick material with a K - factor of 0.84.

The proposed alternative is 4" (100mm) brick with a C-factor of 1.25 over 1/8" (3mm) mineral board with a K-factor of 0.29.

### Step (a):

Use formula above to convert specification to R-value.

$$R = 1/k \times T = 1/0.84 \times .75 = 0.893.$$

### Step (b):

Calculate R of proposed system.

4" brick of C = 1.25, therefore

$$R_{\text{brick}} = 1/C = 1/1.25 = 0.80$$

1/8" mineral board of k = 0.29, therefore

$$R_{\text{min.bd.}} = 1/0.29 \times 0.125 = 0.431$$

$$\text{Total } R = R_{\text{brick}} + R_{\text{mineral board}} = 0.8 + 0.431 = 1.231.$$

### Step (c):

Compare proposed system R of 1.231 to specified R of 0.893. Since proposed system R is greater than required, the system is acceptable.

## DEFINITIONS

### Thermal Conductance:

$$C = \frac{\text{Btu}}{(\text{hr})(\text{ft}^2)(\text{°F})} = \frac{W}{(\text{m}^2)(\text{K})}$$

### Thermal Conductivity:

$$k = \frac{(\text{Btu})(\text{inch})}{(\text{hr})(\text{ft}^3)(\text{°F})} = \frac{W}{(\text{m})(\text{K})} = \frac{\text{Btu}}{(\text{hr})(\text{ft})(\text{°F})}$$

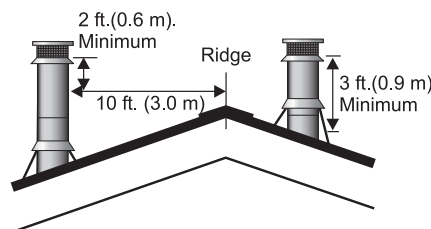
### Thermal Resistance:

$$R = \frac{(\text{ft}^2)(\text{hr})(\text{°F})}{\text{Btu}} = \frac{(\text{m}^2)(\text{K})}{W}$$

## STEP-BY-STEP CHIMNEY AND CONNECTOR INSTALLATION

**Note:** These are a generic set of chimney installation instructions. Always follow the manufacturer's own instructions explicitly. Check the Minimum Recommended Flue Heights (Table 1).

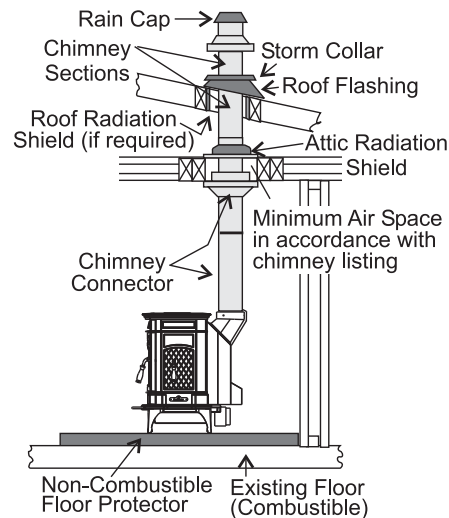
- 1) With your location already established, cut and frame the roof hole. It is recommended that no ceiling support member be cut for chimney and support box installation. If it is necessary to cut them, the members must be made structurally sound.
- 2) Install radiant shield and support from above.
- 3) Stack the insulated pipe onto your finish support to a minimum height of 3 feet above the roof penetration, or 2 feet above any point within 10 feet measured horizontally. There must be at least 3 feet of chimney above the roof level.



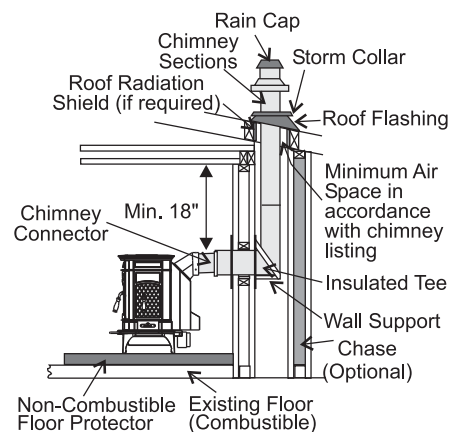
**Note:** Increasing the chimney height above this minimum level will sometimes help your unit to "breathe" better by allowing a greater draft to be created. This greater draft can decrease problems such as, difficult start-ups, back-smoking when door is open, and dirty glass. It might be sufficient to initially try with the minimum required height, and then if problems do arise add additional height at a later date.

- 4) Slide the roof flashing over your chimney and seal the flashing to the roof with roofing compound. Secure the flashing to your roof with nails or screws.
- 5) Place the storm collar over the flashing, sealing the joints with a silicone caulking.
- 6) Fasten the raincap with spark screens (if required) to the top of your chimney.
- 7) For optimum efficiency when installing into a masonry chimney, size accordingly, i.e. the 6" (152mm) flue dia. is 28.28 sq.in.
- 8) To complete your chimney installation, install the double wall connector pipe from the stove's flue collar to the chimney support device.
- 9) If you are using a horizontal connector, the chimney connector should be as high as possible while still maintaining the 18" (457mm) minimum distance from the horizontal connector to the ceiling.
- 10) **NOTE: Residential Close Clearance and Alcove installations require a listed double wall connector from the stove collar to the ceiling level.**

The diagrams below illustrate one way to install your unit into a standard ceiling or with a horizontal connector. Check with your dealer or installer for information on other options available to you.



Standard Ceiling Installation



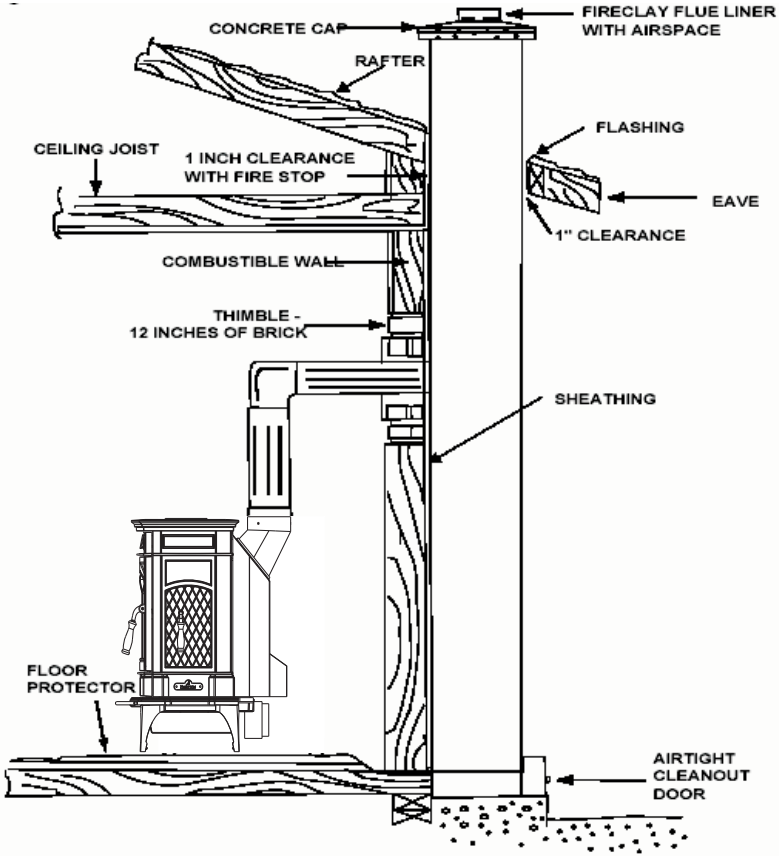
Horizontal Installation

## FACTORY BUILT CHIMNEY

When a metal prefabricated chimney is used, the manufacturer's installation instructions must be followed. You must also purchase and install the ceiling support package or wall pass-through and "T" section package, firestops (where needed), insulation shield, roof flashing, chimney cap, etc. Maintain proper clearance to the structure as recommended by the manufacturer. The chimney must be the required height above the roof or other obstructions for safety and proper draft operation.

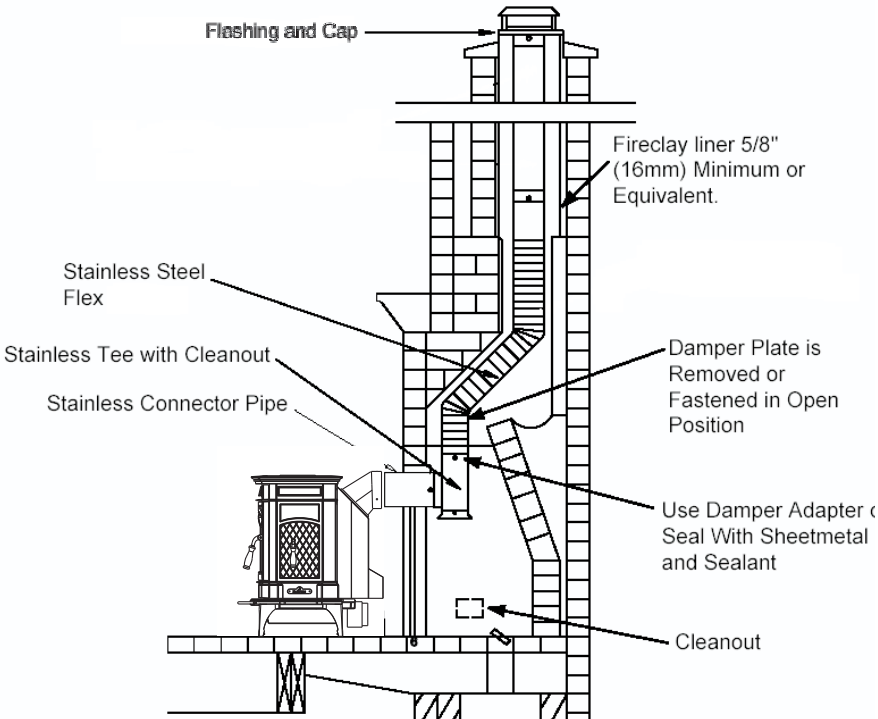
## MASONRY CHIMNEY

Ensure that a masonry chimney meets the minimum standards of the National Fire Protection Association (NFPA) by having it inspected by a professional. Make sure there are no cracks, loose mortar or other signs of deterioration and blockage. Have the chimney cleaned before the stove is installed and operated. When connecting the stove through a combustible wall to a masonry chimney, special methods are needed (refer to the Combustible Wall Chimney Connector Pass-Throughs section).



## MASONRY FIREPLACE

There are listed kits available to connect a stove to a masonry fireplace. The kit is an adapter that is installed at the location of the fireplace damper. The existing damper may have to be removed to allow installation.

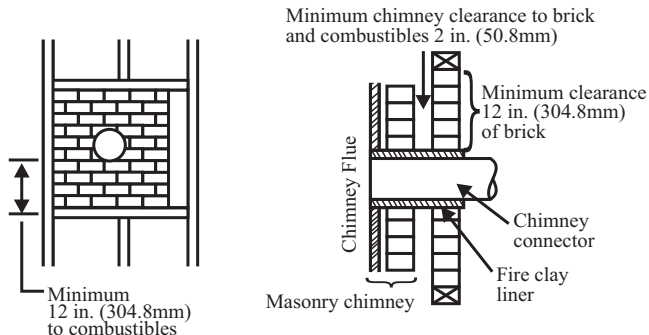


# INSTALLATION

## COMBUSTIBLE WALL CHIMNEY CONNECTOR PASS-THROUGHS

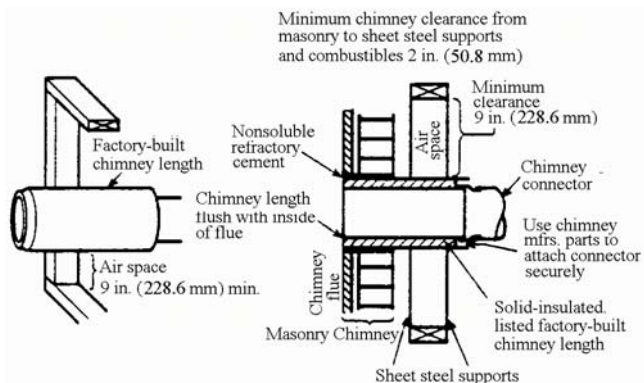
### Method A: 12" (304.8 mm) Clearance to Combustible Wall Member:

Using a minimum thickness 3.5" (89 mm) brick and a 5/8" (15.9 mm) minimum wall thickness clay liner, construct a wall pass-through. The clay liner must conform to ASTM C315 (Standard Specification for Clay Fire Linings) or its equivalent. Keep a minimum of 12" (304.8 mm) of brick masonry between the clay liner and wall combustibles. The clay liner shall run from the brick masonry outer surface to the inner surface of the chimney flue liner but not past the inner surface. Firmly grout or cement the clay liner in place to the chimney flue liner.



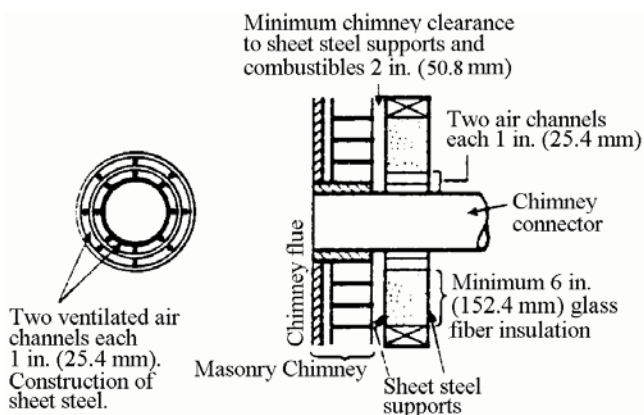
### Method B: 9" (228.6 mm) Clearance to Combustible Wall Member:

Using a 6" (152.4 mm) inside diameter, listed, factory-built Solid-Pak chimney section with insulation of 1" (25.4 mm) or more, build a wall pass-through with a minimum 9" (228.6 mm) air space between the outer wall of the chimney length and wall combustibles. Use sheet metal supports fastened securely to wall surfaces on all sides, to maintain the 9" (228.6 mm) air space. When fastening supports to chimney length, do not penetrate the chimney liner (the inside wall of the Solid-Pak chimney). The inner end of the Solid-Pak chimney section shall be flush with the inside of the masonry chimney flue, and sealed with a non-water soluble refractory cement. Use this cement to also seal to the brick masonry penetration.



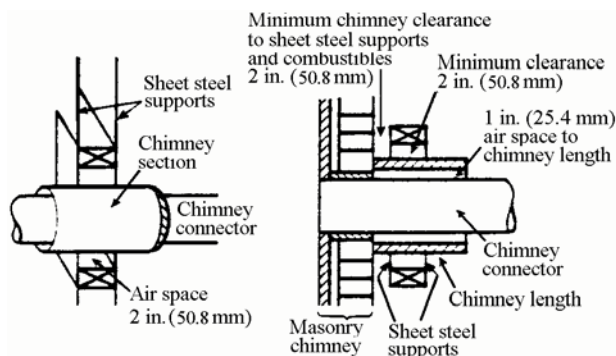
### Method C: 6" (152.4 mm) Clearance to Combustible Wall Member:

Starting with a minimum 24 gage (.024" [.61 mm]) 6" (152.4 mm) metal chimney connector, and a minimum 24 gage ventilated wall thimble which has two air channels of 1" (25.4 mm) each, construct a wall pass-through. There shall be a minimum 6" (152.4 mm) separation area containing fiberglass insulation, from the outer surface of the wall thimble to wall combustibles. Support the wall thimble, and cover its opening with a 24-gage minimum sheet metal support. Maintain the 6" (152.4 mm) space. There should also be a support sized to fit and hold the metal chimney connector. See that the supports are fastened securely to wall surfaces on all sides. Make sure fasteners used to secure the metal chimney connector do not penetrate chimney flue liner.



### Method D: 2" (50.8 mm) Clearance to Combustible Wall Member:

Start with a solid-pak listed factory built chimney section at least 12" (304 mm) long, with insulation of 1" (25.4 mm) or more, and an inside diameter of 8" (2 inches [51 mm] larger than the 6" [152.4 mm] chimney connector). Use this as a pass-through for a minimum 24-gage single wall steel chimney connector. Keep solid-pak section concentric with and spaced 1" (25.4 mm) off the chimney connector by way of sheet metal support plates at both ends of chimney section. Cover opening with and support chimney section on both sides with 24 gage minimum sheet metal supports. See that the supports are fastened securely to wall surfaces on all sides. Make sure fasteners used to secure chimney flue liner.





## RECOMMENDED HEIGHTS FOR WOODSTOVE FLUE

Simple rules on draft. See Table 1.

- 1) At sea level minimum height is 12' straight.
- 2) Add the following vertical height to compensate for:
  - 45 deg. elbow = 1 ft.
  - 90 deg. elbow = 2 ft.
  - "T" = 3 ft.
  - Each foot of horizontal run = 2 ft.
- 3) Add 4% overall for each 1000' above sea level.

**Example: a)**  
 1-1/2 ft. of horizontal run = 3 ft.  
 one "T" = 3 ft.  
 Total Addition (at sea level) = 6 ft.

**Example: b)**  
 One 90 deg. elbow = 2 ft.  
 2 ft. of horizontal run = 4 ft.  
 one "T" = 3 ft.  
 Total Addition (at sea level) = 9 ft.

Elevation	Recommended Flue Height	
	Example a)	Example b)
0'	18'	21'
1000'	18.72'	21.84'
2000'	19.44'	22.68'
5000'	21.60'	25.20'
8000'	23.76'	27.72'

**TABLE 1**

<b>MINIMUM RECOMMENDED FLUE HEIGHTS IN FEET</b> (Measured from the top of the unit)							
<b>ELEVATION (FT) ABOVE SEA LEVEL</b>	<b># OF ELBOWS</b>						
	0	2 x 15°	4 x 15°	2 x 30°	4 x 30°	2 x 45°	4 x 45°
0-1000	12.0	13.0	14.0	15.0	18.0	16.0	20.0
1000-2000	12.5	13.5	14.5	15.5	19.0	16.5	21.0
2000-3000	13.0	14.0	15.0	16.0	19.5	17.0	21.5
3000-4000	13.5	14.5	15.5	17.0	20.0	18.0	22.5
4000-5000	14.0	15.0	16.0	17.5	21.0	18.5	23.0
5000-6000	14.5	15.5	17.0	18.0	21.5	19.0	24.0
6000-7000	15.0	16.0	17.5	18.5	22.5	20.0	25.0
7000-8000	15.5	16.5	18.0	19.0	23.0	20.5	25.5
8000-9000	16.0	17.0	18.5	20.0	24.0	21.0	26.5
9000-10000	16.5	17.5	19.0	20.5	24.5	22.0	27.0

**NOTE: No more than two offsets (four elbows) allowed. Two 45° elbows equal one 90° elbow.**

# INSTALLATION

## MOBILE HOME INSTALLATION

Once you have properly marked the position of your unit and the floor protection as outlined in the Residential Installation items #1 through #8, a supply of fresh air has to be supplied to your unit.

Place your unit in position and secure it to the floor using four lag bolts 1/4" through the four holes inside the legs. It is important to maintain the structural integrity of the Mobile Home floor, walls and roof when installing your unit.

For Mobile Home units installed in the U.S. the unit must be grounded using a #8 ground wire with approved termination and star washer.

**CAUTION: At no time use unlabelled parts, or substitute parts made for another chimney system.**

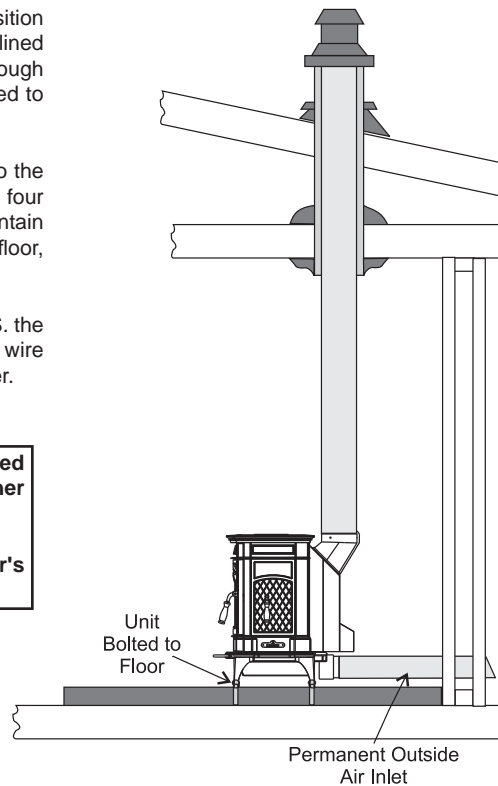
**Install as per chimney manufacturer's installation instructions.**

**IMPORTANT  
DO NOT CONNECT TO OR USE IN CONJUNCTION WITH ANY AIR DISTRIBUTION DUCTWORK UNLESS SPECIFICALLY APPROVED FOR SUCH INSTALLATIONS.**

If desired, the air for combustion may be drawn directly from the outside of the house, as detailed below. It is not obligatory to do this, but it may help combustion in small or poorly ventilated house.

Connect a 4" (100 mm) diameter stainless steel, or other non-combustible corrosion resistant material, to the O.S.A hook-up box. In order to do this the O.S.A hook-up box must be connected to the base using 1/2" (12 mm) hex head bolts.

Run the pipe (up to 54" (1372 mm) long) to the outside avoiding sharp bends and joints within cavity walls. Turn the end down and fit corrosion resistant mesh to prevent the entry of leaves and rodents. Seal the penetration of the outside wall with silicon.



**WARNING: Do not obstruct free air supply to the air inlet duct located at the back of the stove.**

**NOTE: Listed factory built chimney connectors including elbows are acceptable for use in Mobile Home Installations.**

In addition to standard installation instructions the following requirements are mandatory for installation in a mobile home.

- 1) The stove must be permanently bolted to the floor of the Mobile Home using the floor screws provided.
- 2) The stove must have a permanent outside air source for combustion.
- 3) The stove must be electrically grounded to the steel chassis of the Mobile Home.
- 4) A listed double-wall connector chimney system, roof thimble, spark arrestor and roof flashing kit suitable for use in Mobile Homes must be used.
- 5) If the chimney exits the Mobile Home at a location other than through the roof, and exits at a point 7ft. (2130mm) or less above the ground level on which the Mobile Home is positioned a guard or method of enclosing the chimney shall be fitted at the point of exit for a height up to 7ft. (2130mm).
- 6) The chimney shall be attached directly to the room heater and shall extend at least 3 ft. (914mm) above the part of the roof through which it passes. The top of the chimney should project at least 2ft. (610mm) above the highest elevation of any part of the Mobile Home within 10 ft. (3048mm) of the chimney.
- 7) The chimney system shall comply with Local Requirements.
- 8) Any openings in a chimney guard where required must not permit the entrance of 3/4" (19mm) diameter rod.
- 9) **CAUTION: THE STRUCTURAL INTEGRITY OF THE MOBILE HOME ROOF, FLOOR, WALLS AND CEILING MUST BE MAINTAINED.**
- 10) Check any other local building code as other local codes may apply.
- 11) **WARNING: DO NOT INSTALL IN A SLEEPING ROOM OF A MOBILE HOME.**
- 12) Use silicone to create an effective vapour barrier at the location where the chimney or other component penetrates to the exterior of the structure.

## LISTED COMPONENTS FOR MOBILE HOME INSTALLATION

The Hampton H300 Cast Freestanding unit is approved for installation in a Mobile Home if one of the following pipe systems is used.

### U.S. Installation\*

#### **METALBESTOS SSII**

Qty. Part #	Description
1 6DS-VK	Connector Kit
1 6TMH	Shield/Support
1 6TAF-6	Flashing
1 6T-36	Chimney Length
1 6T-18	Chimney Length
1 6T-CT	Rain Cap

#### **PRO-JET 3103**

Qty. Part #	Description
1 PV06-TK	Connector
1 CSB	Shield/Support
1 RRS	Radiation Shield
1 LFR03	Flashing
1 SL3	Chimney Length
1 SL1	Chimney Length
1 RCSA	Rain Cap

#### **SECURITY ASHT**

Qty. Part #	Description
1 DL42A-6	Connector Kit
1 6SS	Shield/Support
1 6FAMH	Flashing
1 6L3	Chimney Length
1 6L1	Chimney Length
1 CPE	Rain Cap

#### **SECURITY S2100**

Qty. Part #	Description
1 DL42A-6	Connector Kit
1 6XSF	Support
1 6XFA	Flashing
1 6XL3	Chimney Length
1 6XL18	Chimney Length
1 6XCPE	Rain Cap

#### **METAL-FAB TEMP/GUARD 2100**

Qty. Part #	Description
1 6DWBK	Connector
1 6TGRS	Roof Support
1 6TGG36	Chimney Length
1 6TGG12	Chimney Length
1 6TGF	Flashing
1 6TGC	Rain Cap

### **AMERI-TECHS**

Qty. Part #	Description
1 6DCC	Connector
1 6HSRS-12	Roof Support (6PLRS-12-BK)
1 6F	Flashing
1 6HS-36	Chimney Length
1 6HS-18	Chimney Length
1 6HS-RCS	Rain Cap (6PL-MPC)

### **SIMPSON DURA-PLUS**

Qty. Part #	Description
1 6DVL8693	Connector Kit
1 6DP-MH9096	Mobile Home Kit

### **ICC EXCEL 2100**

Qty. Part #	Description
1 6CL48	48" Chimney length (also in 12", 18", 24" lengths.
1 6RC	Rain Cap
1 6RCS	Spark Screen (for rain cap)
1 6RDS/SQS	Round/Square support box
1 6VF	Flashing
1 6UBA	"Ultrablack" Close Clearance Connector

### Canadian Installations\*

#### **SECURITY S2100 (see above for details)**

#### **ICC EXCEL 2100 (see above for details)**

\*The use of alternate pitch flashings, support box extensions, additional chimney lengths, and additional chimney bracing, may be used on each of the previously listed systems. These parts though must be from the same system as listed, and must be a similar and/or complimentary part.

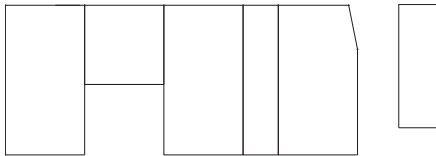
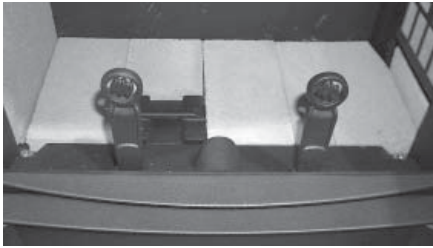
**CAUTION: At no time use unlabelled parts, or substitute parts made for another chimney system.**

**Install as per chimney manufacturer's installation instructions.**

# INSTALLATION

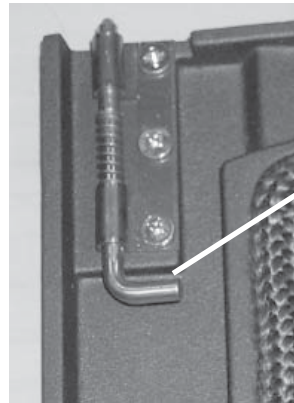
## BRICK INSTALLATION

Firebrick is included to extend the life of your stove and to radiate heat more evenly. Check to see that all firebricks are in their correct positions and have not become misaligned during shipping.



## DOOR REMOVAL

- 1) Push spring lever down while holding onto the door.
- 2) Pull door down and lift out to remove. Bottom of door lifts right out.



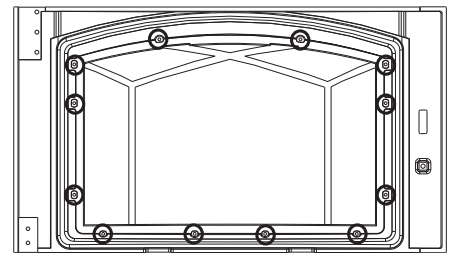
Spring Lever



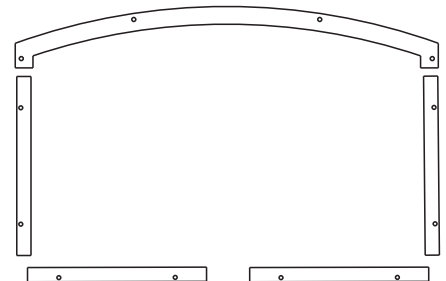
Bottom part of door fits into slot.

## GLASS INSTALLATION

- 1) Remove door from unit.
- 2) To replace the glass remove the 12 screws highlighted in the diagram below.
- 3) Lift off the glass retainer and carefully remove glass.
- 4) Place new glass in the door, make sure that the glass gasketing will properly seal your unit.
- 5) Position the glass retainer back on. Ensure that it rests on the gasket and not the glass.
- 6) Secure glass retainer using the 12 screws. Do not wrench down on the glass as this may cause the glass to break.
- 7) Place door back on unit.



Remove 12 screws.



Glass Retainer

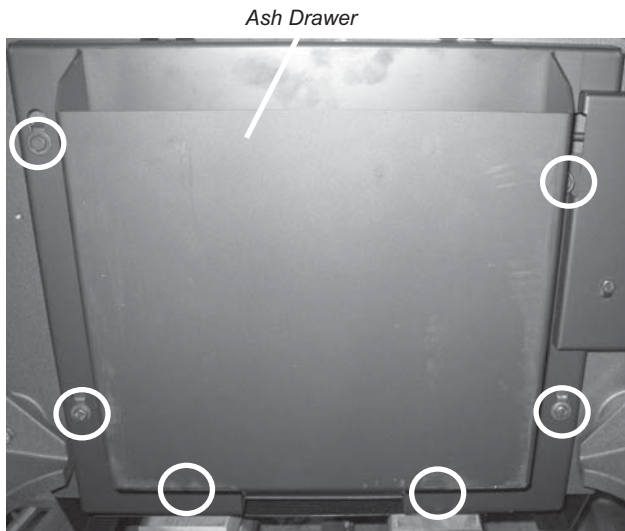
## OPTIONAL SHORT LEG INSTALLATION

- 1) Remove the cast lid from the top of the stove.
- 2) Remove fan, if installed.
- 3) Open the front door and remove the cast plug and all loose bricks from the firebox.
- 4) Close the front door.
- 5) Remove the Ash Pan by sliding out and discard.



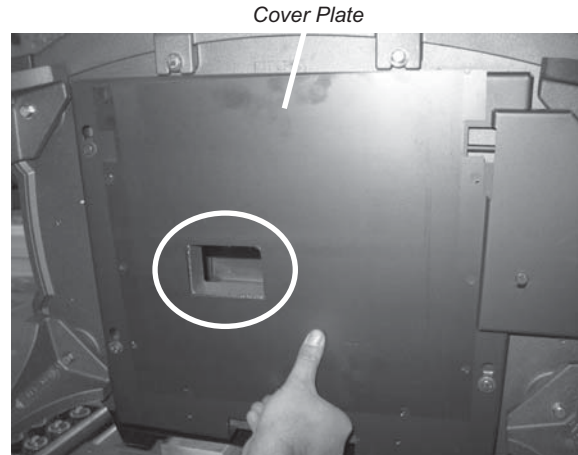
Ash Pan

- 6) Carefully lay the stove on it's back on a soft surface to prevent scratching.
- 7) Remove the Ash Drawer by undoing the 6 bolts and washers. Discard Ash Drawer.



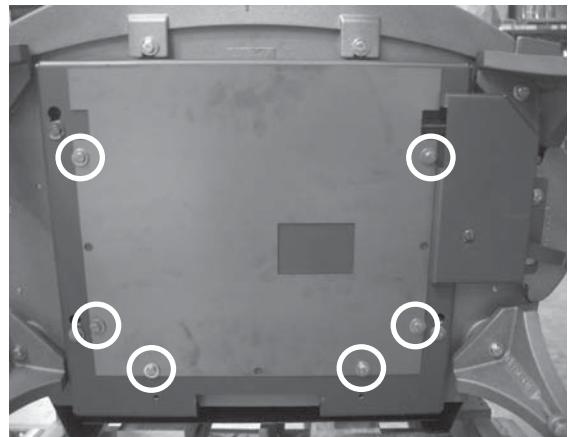
Ash Drawer

- 8) Flip the cover plate so that the ash plug hole is covered. Secure the cover plate in place using the 6 bolts and washers removed in step 7.



Cover Plate

Cover Plate shown in it's original position when Ash Drawer is removed.



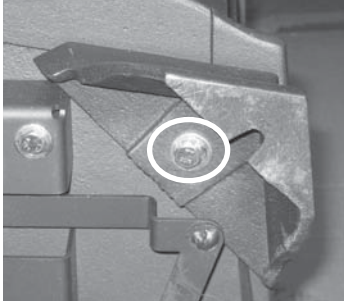
Cover Plate shown flipped and secured in place covering the Ash Plug Hole.

- 9) Remove the 4 standard legs by undoing the bolt and washer on each leg.

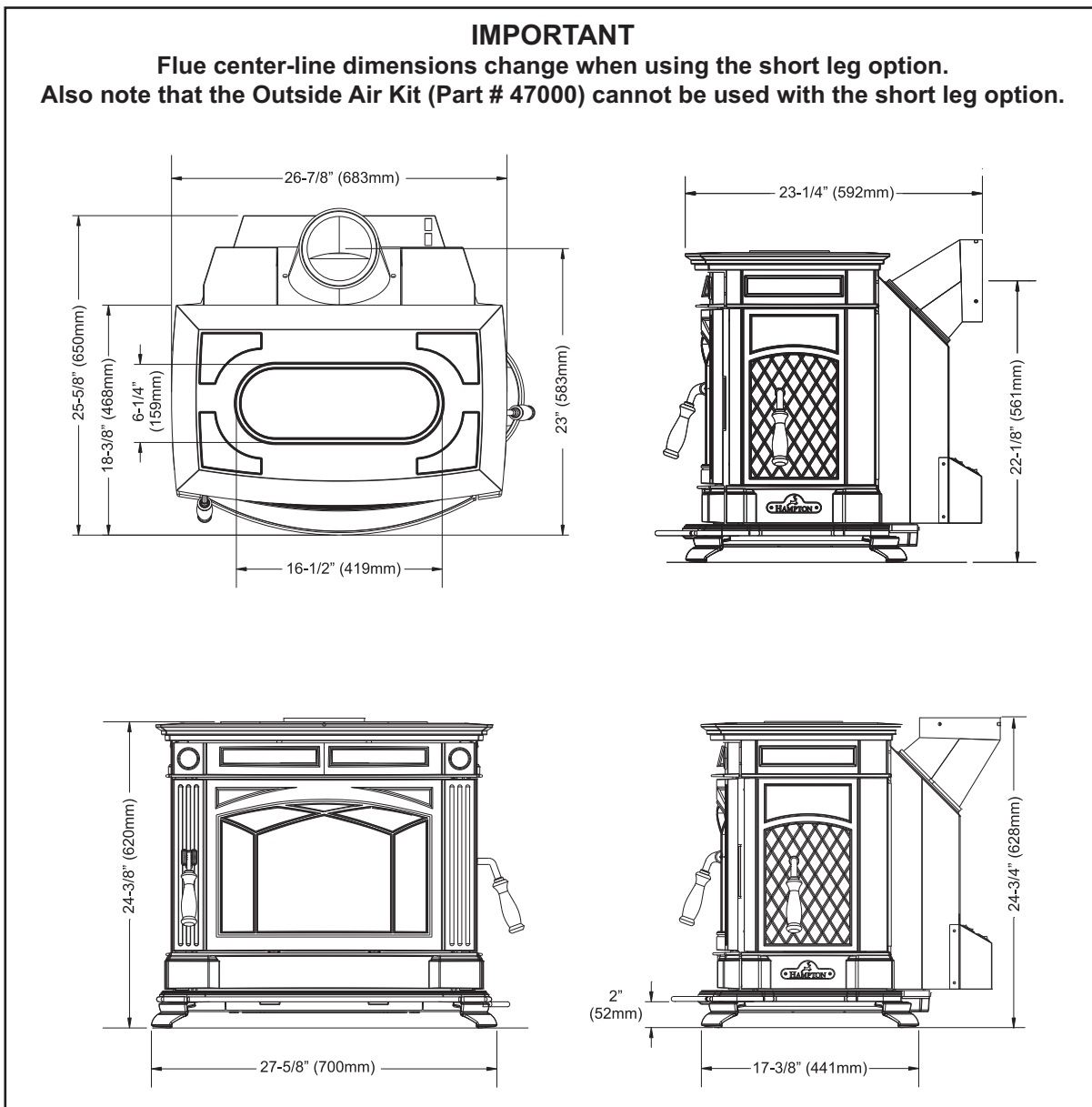


# INSTALLATION

- 10) Secure the 4 short legs to the unit using the bolts and washers removed from step 9.



- 11) Carefully bring stove to standing position.
- 12) Open the front door and place the cast plug into the ash plug hole and re-install the bricks.
- 13) Place the cast lid back on top of the stove.
- 14) Re-install fan, if removed.





## OPTIONAL BLOWER / FAN INSTALLATION

An optional blower is available for the Hampton H300. The blower is factory assembled, wired and ready for attachment to the stove.

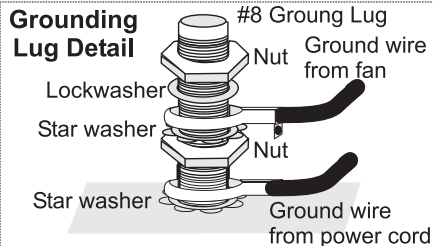
This unit must be connected to a grounded, standard 120 volts, 60 Hz electrical outlet. Never route the power cord under or in front of the unit.

Do not under any circumstances, cut or remove the grounding prong from the power cord. Do not use an adaptor plug.

**NOTE:** For more detailed information see instructions included with the Optional Blower.

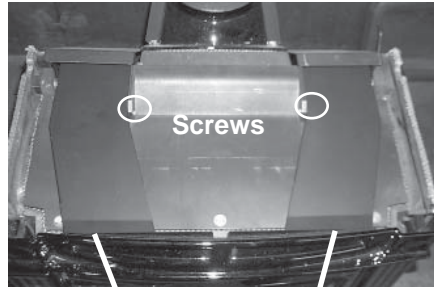
**CAUTION:** Moving parts may cause injury. Do not operate unit with blower housing removed.

**DANGER:** Risk of electric shock. Disconnect power before servicing unit.



**WARNING: Electrical Grounding Instructions**  
This appliance is equipped with a three pronged (grounding) plug for your protection against shock hazard and should be plugged directly into a properly grounded three-prong receptacle. Do not cut or remove the grounding prong from this plug.

- 1) Lift off top.
- 2) Place left and right side air channels on firebox top as shown below.

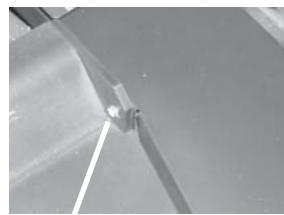


Left Side Air Channel

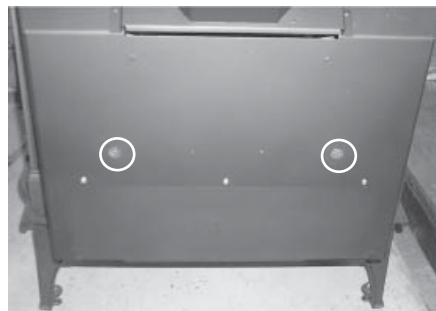
Right Side Air Channel

- 3) Secure each air channel with one screw.

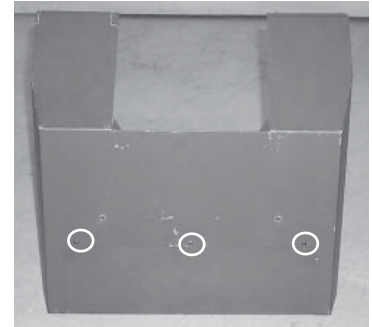
Right Side Air Channel Shown



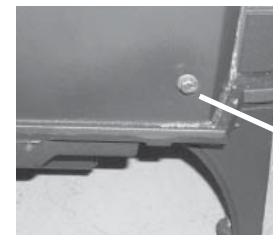
- 4) Remove back shield by undoing 2 screws.



- 5) Remove fan cover plate from back shield by undoing 3 screws.



- 6) Loosen the 2 bolts you see after removing the fan cover plate. One on each side of unit.



- 7) Hook fan over bolts.



- 8) Tighten bolts to secure fan.

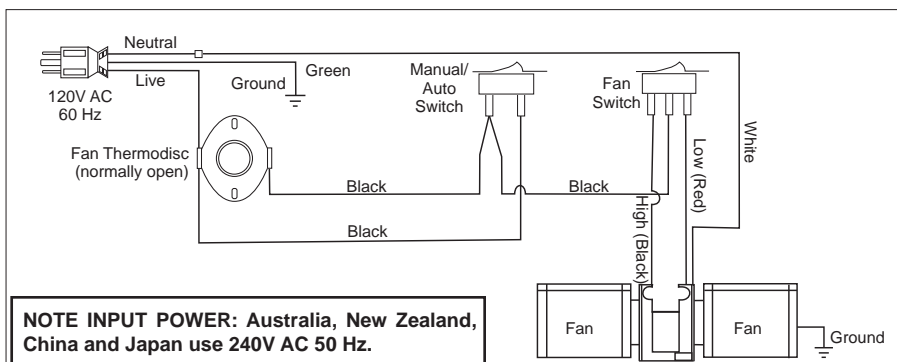
- 9) Reinstall back shield.

- 10) Using the 3 screws from the fan cover plate, secure the fan assembly to the back shield.

- 11) Plug-in power cord.

- 12) Place top back on.

**CAUTION:** Label all wires prior to disconnection when servicing controls. Wiring errors can cause improper and dangerous operation.



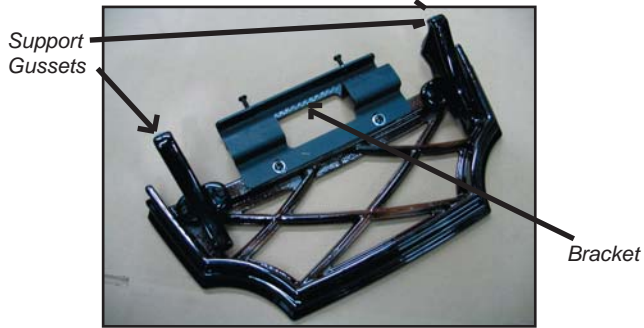
**NOTE INPUT POWER:** Australia, New Zealand, China and Japan use 240V AC 50 Hz.

Blower/Fan Wiring Diagram

# INSTALLATION

## SIDE SHELF INSTALLATION

- 1) Secure the two support gussets using 2 screws per gusset and attach bracket to the underside of the shelf using 2 screws as shown.



- 3) Secure to side shelf to stove. Repeat installation for other side.



- 2) Remove stove top and place side shelf onto the side of the stove as shown, aligning the bracket with notch at the side of the stove.



- 4) Carefully re-install stove top on stove ensuring not to chip enamel.



- 5) Use the two screws holding the bracket to the underside of the shelf to make final alignment and adjustments.



## OPERATING INSTRUCTIONS

With your unit now correctly installed and safety inspected by your local authority, you are now ready to start a fire. Before establishing your first fire, it is important that you fully understand the operation of your draft control (refer to Draft Control section).

## FAN OPERATION

### Automatic

To operate the optional fan automatically, push the bottom switch on the side of the fan housing to "AUTO" and the top switch to either "HIGH" or "LOW" for fan speed.

This will allow the fan to turn on as the stove has come up to operating temperature. It will also shut the fan system off after the fire has gone out and the unit cooled to below a useful heat output range.

### Manual

To manually operate the fan system push the bottom switch to "MAN" and the top switch to either "HIGH" or "LOW". This will bypass the sensing device and allow full control of the fan.

Switching from "AUTO" to "MAN" or "HIGH" to "LOW" may be done anytime.

## FIRST FIRE

When your installation is completed and inspected you are ready for your first fire.

- 1) Open control fully.
- 2) Open firebox door and build a small fire using paper and dry kindling on the firebrick hearth. Secure door on the firebox and wait a few minutes for a good updraft in the flue to establish the fire. (Leaving the door slightly open will help your fire start more rapidly.)

**CAUTION: Never leave unit unattended if door is left open. This procedure is for fire start-up only, as unit may overheat if door is left open for too long.**

- 3) With the draft still in the fully open position add two or three seasoned logs to your fire. Form a trench in the ash bed to allow air to reach the rear of the firebox prior to closing the door.
- 4) After about 45 minutes, when your wood has begun to burn strongly, adjust your draft control down to keep the fire at a moderate level.

**WARNING: Never build a roaring fire in a cold stove. Always warm your stove up slowly!**

- 5) Once a bed of coals has been established on the firebrick hearth, you may adjust the draft control to a low setting to operate the unit at its most efficient mode.
- 6) During the first few fires, keep the combustion rate at a moderate level and avoid a large fire. Only after 5 or 6 such fires can you operate the stove at its maximum setting, and only after the metal has been warmed.
- 7) For the first few days, the stove will give off an odour from the paint. This is to be expected as the high temperature paint becomes seasoned. Windows and/or doors should be left open to provide adequate ventilation while this temporary condition exists. Burning the stove at a very high temperature the first few times may damage the paint. Burn fires at a moderate level the first few days.

- 8) Do not place anything on the stove top during the curing process. This may result in damage to your paint finish.

- 9) During the first few days it may be more difficult to start the fire. As you dry out your firebrick and your masonry flue, your draft will increase.

- 10) For those units installed at higher elevations or into sub-standard masonry fireplaces, drafting problems may occur. Consult an experienced dealer or mason on methods of increasing your draft.

- 11) Some cracking and popping noises may be experienced during the heating up process. These noises will be minimal when your unit reaches temperature.

- 12) Before opening your door to reload, open draft fully for approximately 10 to 15 seconds until fire has been re-established. This will minimize any smoking.

- 13) All fuel burning appliances consume oxygen during operation. It is important that you supply a source of fresh air to your unit while burning. A slightly opened window is sufficient for the purpose. If you also have a fireplace in your home, a downdraft may be created by your Hampton Stove causing a draft down your chimney. If this occurs, slightly open a window near your unit.

**CAUTION: If the body of your unit, flue baffle or any part of the chimney connector starts to glow, you are over-firing. Stop loading fuel immediately and close the draft control until the glow has completely subsided.**

- 14) Green or wet wood is not recommended for your unit. If you must add wet or green fuel, open the draft control fully until all moisture has been dispersed by the intense fire. Once all moisture has been removed, the draft control may be adjusted to maintain the fire.

- 15) If you have been burning your stove on a low draft, use caution when opening the door. After opening the damper, open the door a crack, and allow the fire to adjust before fully opening the door.

- 16) The controls of your unit or the air supply passages should not be altered to increase firing for any reason.

- 17) If you burn the unit too slowly or at too low a setting your unit will not be operating as efficiently as it can. An easy rule of thumb says that if your glass is clean, then your flue is clean and your exhaust is clean. Burn the stove hot enough to keep your glass clean and you won't need to clean your flue as often.

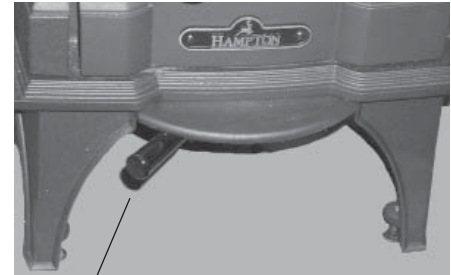
# OPERATING INSTRUCTIONS

## SAFETY GUIDELINES AND WARNINGS

- 1) Never use gasoline, gasoline type lantern fuels, kerosene, charcoal lighter fuel, or similar liquids to start or 'freshen up' a fire in your heater. Keep all such liquids well away from the heater while it is in use.
- 2) Keep the door closed during operation and maintain all seals in good condition.
- 3) Do not burn any quantities of paper, garbage, and never burn flammable fluids such as gasoline, naphtha or engine oil in your stove.
- 4) If you have smoke detectors, prevent smoke spillage as this may set off a false alarm.
- 5) Do not overfire heater. If the chimney connector, flue baffle or the stove top begin to glow, you are overfiring. Stop adding fuel and close the draft control. Overfiring can cause extensive damage to your stove including warpage and premature steel corrosion. Overfiring will void your warranty.
- 6) Do not permit creosote or soot build-up in the chimney system. Check and clean chimney at regular intervals. Failure to do so can result in a serious chimney fire.
- 7) Your Hampton stove can be very hot. You may be seriously burned if you touch the stove while it is operating, keep children, clothing and furniture away. Warn children of the burn hazard.
- 8) The stove consumes air while operating, provide adequate ventilation with an air duct or open a window while the stove is in use.
- 9) Do not connect this unit to a chimney flue serving another appliance.
- 10) Do not use grates or andirons or other methods for supporting fuel. Burn directly on the bricks.
- 11) Open the draft control fully for 10 to 15 seconds prior to slowly opening the door when refuelling the fire.
- 12) Do not connect your unit to any air distribution duct.
- 13) Your woodstove should burn dry, standard firewood only. The use of cut lumber, plywood, "mill ends", etc. is not allowed as this fuel can easily overheat your woodstove. Evidence of excessive overheating will void your warranty. As well, a large portion of sawmill waste is chemically treated lumber, which is illegal to burn in many areas. Salt drift wood and chemically treated fire logs also must not be burned in your woodstoves.
- 14) Do not store any fuel closer than 2 feet from your unit. Do not place wood, paper, furniture, drapes or other combustibles near the appliance.
- 15) **WARNING: Do not operate without the Ash Plug properly seated.**
- 16) Do not operate with broken glass.

## DRAFT CONTROL

Both the primary and air wash drafts are controlled by the control handle located on the right side of the unit (when facing the unit). To increase your draft - push lever to the back, and to decrease - pull lever to the front. All units have a secondary draft system that continually allows combustion air to the induction ports at the bottom of the firebox, just below the rear cover.



Front - Closed

Back - Open

**WARNING: To build a fire in ignorance or to disregard the information contained in this section can cause serious permanent damage to the unit and void your warranty!!**



# OPERATING INSTRUCTIONS

## ASH DISPOSAL

During constant use, ashes should be removed every few days. The Ash Drawer features a convenient ash drawer for easy removal of ashes.

### Safety Precautions

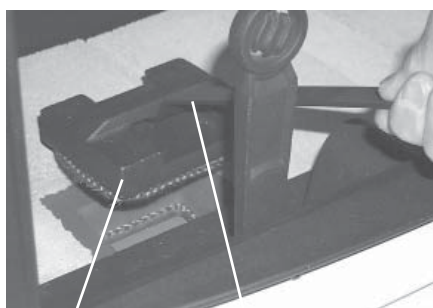
- 1) Do not allow ashes to build up to the loading doors! Only remove ashes when the fire has died down. Even then, expect to find a few hot embers.
- 2) Please take care to prevent the build-up of ash around the start-up air housing located inside the stove box, near the pilot.
- 3) Never start a fire if the ash plug and ash drawer are not in place. This will cause overfiring which can cause excessive warping of the stove. Evidence of overfiring can void the warranty on your stove.
- 4) The firebricks are brittle and can be damaged if the plug is replaced carelessly or pieces that are too large are forced through the hole.

### Ash Drawer Operating Guideline

- 1) Only clean ashes out of the stove when the unit has cooled down. Remove the plug by lifting on the handle using the tool provided. The plug may still be warm, use caution. Push the ashes down the hole into the ash drawer, the large pieces can be left in the firebox and burned during the next fire or removed through the door opening.



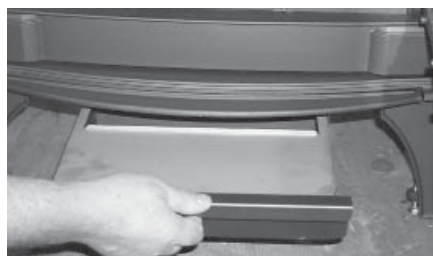
*Ash Plug Tool*



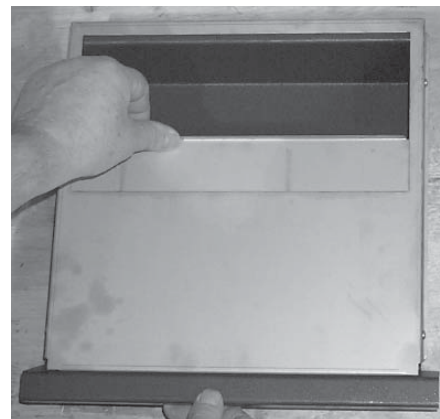
*Ash Plug*

*Ash Plug Tool*

- 2) Always leave 1/2 to 1 inch of ash in the bottom of the firebox. This helps in easier starting and a more uniform burn of your fire.
- 3) To remove the drawer, slide it out. When the drawer is completely out, slide the cover plate over the ash drawer and carry away.



*Pull out Ash Drawer*



*Slide cover plate over  
Ash Drawer.*

- 4) When emptying the ash drawer, make sure the ashes have **cooled down completely**. Ashes should be placed in a metal container with a tight fitting lid. The closed container of ashes should be placed on a non-combustible floor or on the ground, well away from all combustible materials, pending final disposal. If the ashes are disposed of by burial in soil or otherwise locally dispersed, they should be retained in the closed container until all cinders have thoroughly cooled. Other waste should not be placed in the ash container.
- 5) Before putting the ash drawer back in, ensure that the ash plug is back in place.

# MAINTENANCE

## MAINTENANCE

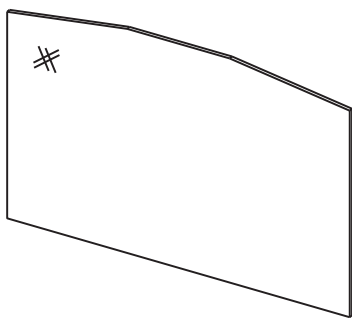
It is very important to carefully maintain your stove, including burning seasoned wood and maintaining a clean stove and chimney system. Have the chimney cleaned before the burning season and as necessary during the season, as creosote deposits may build up rapidly. Moving parts of your stove require no lubrication.

## GLASS MAINTENANCE

Your Hampton stove is supplied with 5 mm Neoceram ceramic glass (Part# 940-333/P) that will withstand the highest heat that your unit will produce. In the event that you break your glass by impact, purchase your replacement from an authorized Hampton dealer only (refer to Glass Installation section).

It will be necessary to clean carbon and fly ash off of the glass at times. If carbon and fly ash remain on the glass for an extended period of time, the glass could eventually become etched and cloudy.

- 1) Allow the stove to cool down completely before cleaning the glass, do not clean the glass when it is hot.
- 2) Use cleaners specifically designed for this glass cleaning. Do not use abrasive cleaners.
- 3) Ensure the glass is dry before burning your stove.



## CREOSOTE

When wood is burned slowly, it produces tar and other organic vapours, which when combined with moisture, form creosote. The creosote vapours condense in the relatively cool chimney flue of a slow burning fire. As a result, creosote residue accumulates on the flue lining. When ignited, this creosote can result in an extremely hot fire.

**WARNING: Things to remember in case of a chimney fire:**

1. Close all draft and damper controls.
2. CALL THE FIRE DEPARTMENT.

### Ways to Prevent and Keep Unit Free of Creosote

- 1) Burn stove with the draft control wide open for about 10-15 minutes every morning during burning season.
- 2) Burn stove with draft control wide open for about 10-15 minutes every time you apply fresh wood. This allows the wood to achieve the charcoal stage faster and burns up any unburned gas vapours which might otherwise be deposited within the system.
- 3) **Only burn seasoned wood!** Avoid burning wet or green wood. Seasoned wood has been dried at least one year.
- 4) A small hot fire is preferable to a large smouldering one that can deposit creosote within the system.
- 5) The chimney and chimney connector should be inspected at least once every two months during the heating season to determine if a creosote buildup has occurred.
- 6) **Have chimney system and unit cleaned by competent chimney sweeps twice a year during the first year of use and at least once a year thereafter or when a significant layer of creosote has accumulated (3mm/1/8" or more) it should be removed to reduce the risk of a chimney fire.**

## WOOD STORAGE

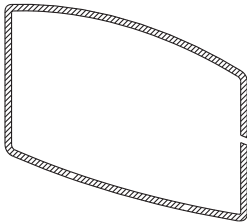
Store wood under cover, such as in a shed, or covered with a tarp, plastic, tar paper, sheets of scrap plywood, etc., as uncovered wood can absorb water from rain or snow, delaying the seasoning process.





## FRONT DOOR GASKET

If the front door gasket requires replacement 5/8" diameter material must be used. Hampton uses a 5/8" diameter gasket (Part# 936-232). A proper high temperature gasket adhesive is required. See your Hampton Dealer.



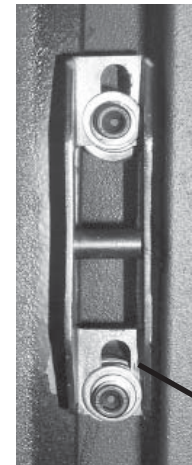
Secure using 7/16" socket wrench.

Front Door Handle Shown

## If position of bracketry needs to be changed after adjustment:

The bracketry should start from the highest point, as seen below. If needed, bring the bracketry down 1/16" each time, until finding the best locking position. The door latch will catch best in this way.

(Listen for a double click sound when the door is locked).

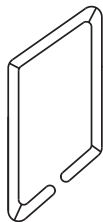


Bracketry at highest position

Front of Bracket

## SIDE DOOR GASKET

If the side door gasket requires replacement 1/2" diameter material must be used. Hampton uses a 1/2" diameter gasket (Part# 936-236). A proper high temperature gasket adhesive is required. See your Hampton Dealer.



## LATCH ADJUSTMENT METHOD

The door bracketry may require adjustment as the door gasket material compresses after a few fires. Removal of the spacer washer will allow the latch to be moved closer to the door frame, causing a tighter seal.

Relocate the washer removed from the back of the bracket to the front. This will allow the same screw to be used.

Use the 3/16" allen key enclosed in the packaged manual to make this adjustment.

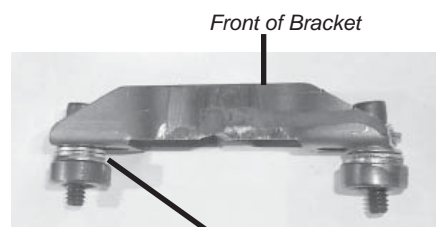
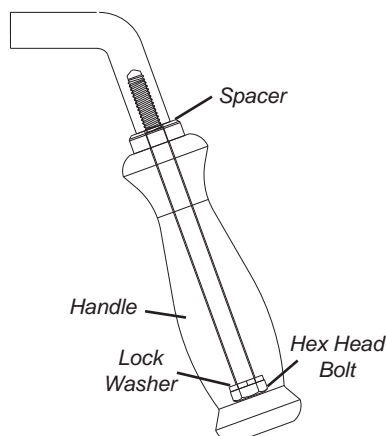
## SIDE DOOR ADJUSTMENT

To tighten the side door handle remove, the washer at the end and place next to the front washer.

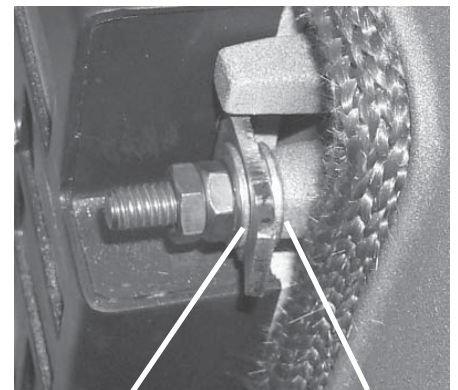
## HANDLE REPLACEMENT

- 1) Remove handle (front or side) by undoing the hex head bolt using a 7/16" socket wrench.
- 2) Fit new door handle (front or side) over latch and secure.

Assembly shown below. Refer to the Side Load Door Handle section for step by step installation.



Allen Key



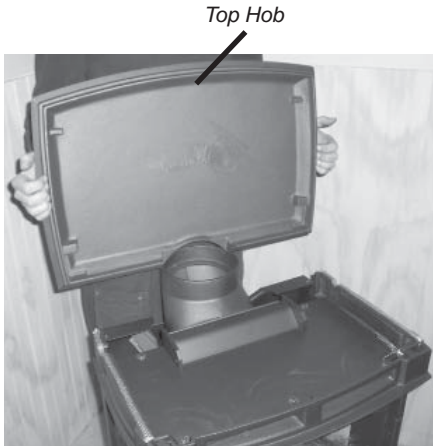
Place beside front washer.

Remove end washer.

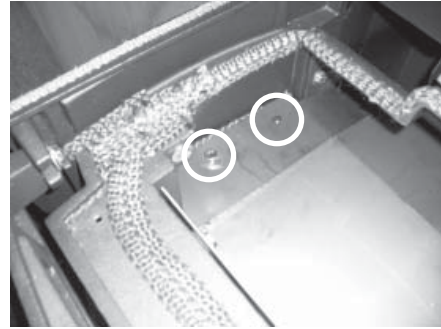
# MAINTENANCE

## TOP BAFFLE REPLACEMENT

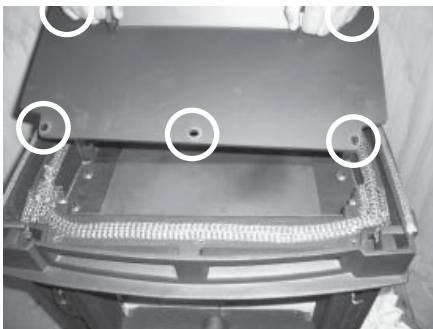
- 1) Lift the Top Hob off the top of the stove.



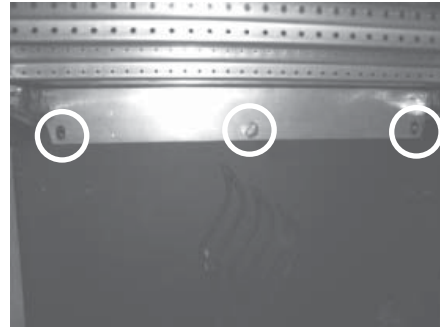
- 3) Remove the left and right baffle caps by removing the 2 bolts (7/16) socket 1/4-20 x 1/2" hex head on each side and lift out.



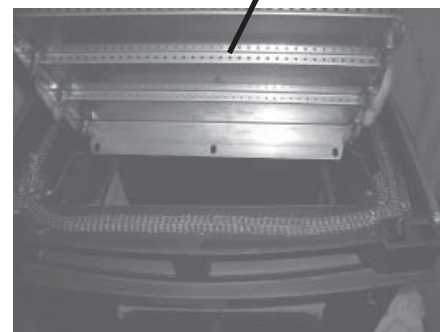
- 2) Remove the five (7/16) socket 1/4 x 1" hex bolts from the Firebox Top Assembly and lift off.



- 4) Remove the three (7/16) socket 1/4-20 x 1/2" stainless steel hex bolts inside the firebox holding the top baffle assembly and remove.



*Top Baffle Removed*

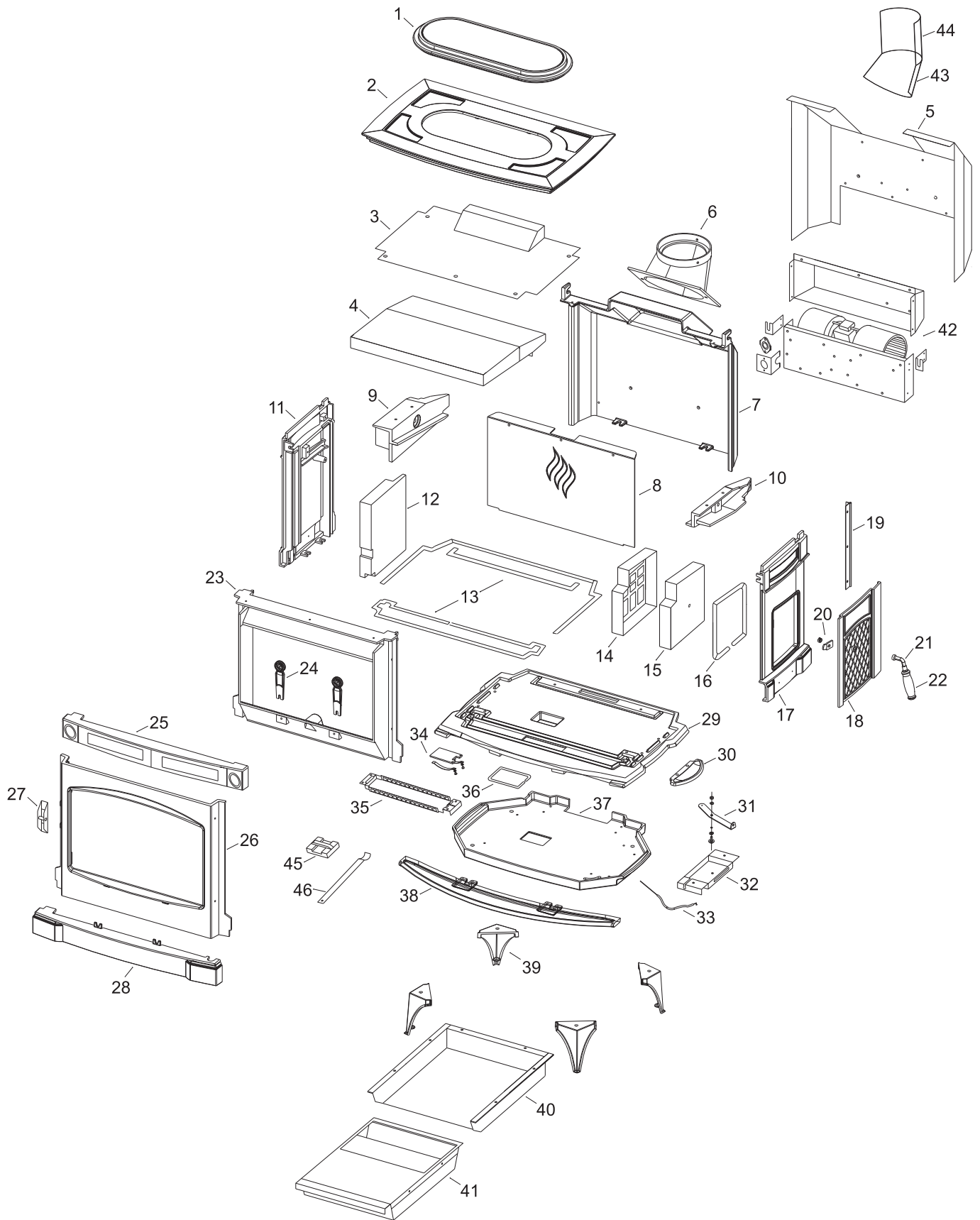


- 5) Replace the Top Baffle  
6) Reverse steps 4 to 1.

## H300 MAIN ASSEMBLY

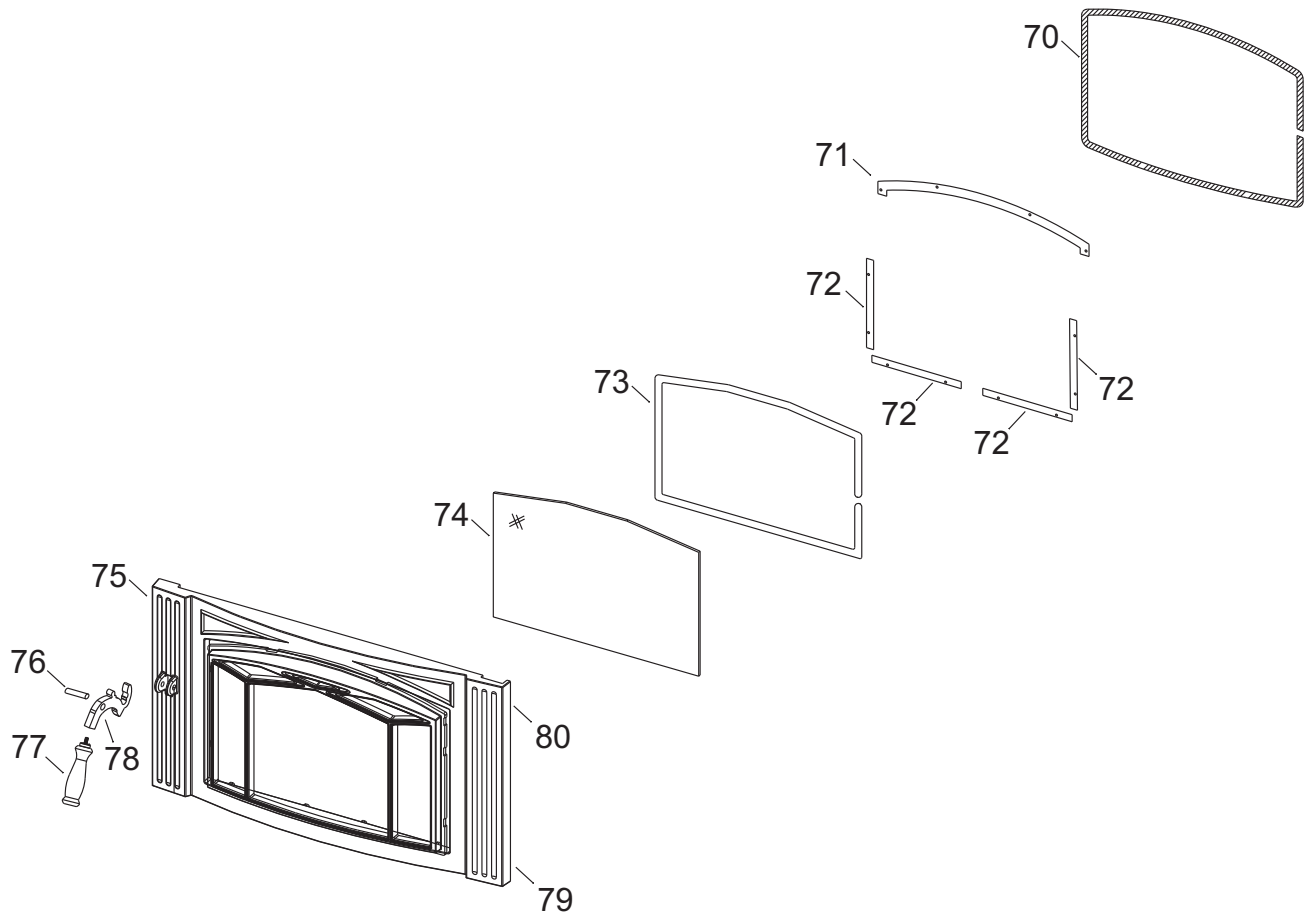
Part #	Description	Part #	Description
1) 220-160	Grill Cast - Top	26) 220-110	Firebox Cast - Front
2) 220-371	Stove Top - Charcoal Grey	27) 220-090	Latch Bar
220-374	Stove Top - Ivory	28) 220-331	Front Skirt - Charcoal Grey
220-375	Stove Top - Timberline Brown	220-334	Front Skirt - Ivory
3) 220-522	Firebox Assembly - Top	220-335	Front Skirt - Timberline Brown
4) 220-514	Baffle Assembly	29) 220-341	Stove Base - Charcoal Grey
5) 220-028	Back Shield	220-344	Stove Base - Ivory
6) 220-431	45 Degree Elbow - Charcoal Grey	220-345	Stove Base - Timberline Brown
7) 220-140	Main Cast - Back	30) 220-401	Side Ashlip - Charcoal Grey
8) 220-130	Inner Cast - Back	220-404	Side Ashlip - Ivory
9) 220-240	Cast Baffle Retention - Left	220-405	Side Ashlip - Timberline Brown
10) 220-230	Cast Baffle Retention - Right	31) 220-084	Draft Control Lever
11) 220-381	Left Side Cast - Charcoal Grey	32) 220-074	Cam Housing Primary
220-384	Left Side Cast - Ivory	33) 220-019	Primary Air Cable
220-385	Left Side Cast - Timberline Brown	34) 220-082	Primary Air - Slide Plate
12) 220-032	Brick Vermiculite - Left Side	35) 220-081	Primary Air - Slide Guide
13) 936-299	Gasket Tape	36) 936-238	8mm Soft Fibre Gasket - Black
14) 220-029	Side Shield Door	37) 220-085	Base Sub Cast
15) 220-041	Brick Vermiculite - Right Door	38) 220-391	Ashlip - Charcoal Grey
16) 936-236	Graphite Rope	220-394	Ashlip - Ivory
17) 220-351	Right Side Cast - Charcoal Grey	220-395	Ashlip - Timberline Brown
220-354	Right Side Cast - Ivory	39) 220-421	Standard Leg - Charcoal Grey
220-355	Right Side Cast - Timberline Brown	220-424	Standard Leg - Ivory
18) 220-361	Right Side Door - Charcoal Grey	220-425	Standard Leg - Timberline Brown
220-364	Right Side Door - Ivory	200-931	Short Leg - Charcoal Grey
220-365	Right Side Door - Timberline Brown	200-935	Short Leg - Timberline Brown
19) 948-151	Side Door Hinge	40) 220-078	Ash Drawer Holder
20) 220-053	Door Latch Bar - Right	41) 220-516	Ash Pan Drawer Assembly
21) 220-047N	Side Door Latch	42) 220-917	Optional Blower/Fan (120V)
22) 948-153	Oak Handle	220-538	Rear Heat Shield Assembly
23) 220-120	Firebox Inner Cast - Front	43) 220-064	Rear Heat Shield - Bottom
24) 200-160	Andiron Hampton	44) 220-065	Rear Heat Shield - Top
25) 220-321	Front Vents - Charcoal Grey	45) 942-110	Ash Plug
220-324	Front Vents - Ivory	46) 820-249	Ash Plug Tool Handle
220-325	Front Vents - Timberline Brown	47) 220-086	Ash Drawer Holder Cover Plate
		48) 948-157	Primary Air Handle

# PARTS LIST



## H300 DOOR ASSEMBLY

Part #	Description
70) 846-530	5/8" Door Gasket Kit
71) 220-034F	Retention Glass Top
72) 220-035F	Retention Glass
73) 936-243	7/8" Window Adhesive Tape
74) 940-333/P	Neoceram Flush Glass c/w Gasket
75) 220-441	Door & Grill - Charcoal Grey
220-444	Door & Grill - Ivory
220-445	Door & Grill - Timberline Brown
76) 948-158	Slotted Spring Tension Pin
77) 948-153	Oak Handle
78) 220-089N	Latch Door - Nickel Plated
79) 948-155	Hinge Pin - Bottom
80) 948-156	Hinge Pin - Top
220-546	Front Door Handle/Latch Assembly complete (not shown)
220-532	Side Door Handle/Latch Assembly complete (not shown)

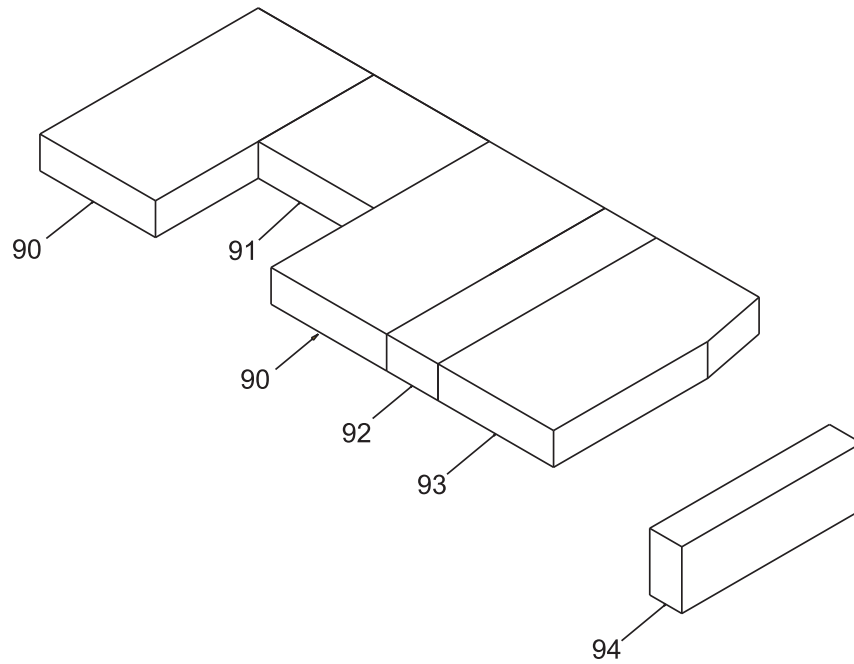


# PARTS LIST

---

## H300 FIREBRICK

Part #	Description
220-960	Firebrick Set
90) 802-157	Brick Partial - 4.5" x 8.5"
91) 802-148	Brick Partial - 4.5" x 4.5"
92) 802-158	Brick Partial - 2" x 8.5"
93) 802-159	Brick Partial - 4.5" x 8.5" (cut angle)
94) 802-160	Brick Partial - 2.25" x 7"











Hampton Fireplace Products are designed with reliability and simplicity in mind. In addition, our internal Quality Assurance Team carefully inspects each unit thoroughly before it leaves our facility. FPI Fireplace Products International Ltd. is pleased to extend this limited lifetime warranty to the original purchaser of a Hampton Product. This warranty is not transferable.

**The Warranty:** Limited Lifetime

H200 / H300: Firebox castings on all Hampton Wood burning Appliances are covered against manufacturer defects for a period of three (3) years parts and subsidized labour\* and a further two (2) years, parts only. Stainless steel baffles are covered against manufacturer defects for a period of three (3) years parts and subsidized labour\* and parts only thereafter.

HI300: Steel fireboxes to be free from defects in materials and workmanship, also covered are vermiculite, baffles and air tubes (against warpage) against manufacturer's defects for a period of 3 years parts and subsidized labor and parts only thereafter.

External casting, not directly in contact with the fire, such as hobs, sides, side shelves, ash lips, legs, fronts, fire doors and surrounds are covered against cracks and warps resulting from manufacturer defects, parts and subsidized labour\* for three (3) years from the date of purchase and parts only thereafter.

Glass is covered for lifetime against thermal breakage only, parts and subsidized labour\* for three (3) years and parts only thereafter from date of purchase.

Blowers and electrical are covered against manufacturer defect for two years parts and one year subsidized labour\* from date of purchase. Replacement blowers are considered repairs and continue as if new with appliance. ie. twelve (12) months from original purchase date of appliance with a minimum of three (3) months coverage from date of replacement.

Repair/replacement parts purchased by the consumer from FPI after the original coverage has expired on the unit will carry a 90 day warranty, valid with a receipt only. Any item shown to be defective will be repaired or replaced at our discretion. No labor coverage is included with these parts.

**Conditions:**

Porcelain/Enamel - Absolute perfection is neither guaranteed nor commercially possible. Any chips must be reported and inspected by an authorized dealer within three days of installation. Reported damage after this time will be subject to rejection.

Any part or parts of this unit which in our judgement show evidence of such defects will be repaired or replaced at FPI's option, through an accredited distributor or agent provided that the defective part be returned to the distributor or agent **Transportation Prepaid**, if requested.

It is the general practice of FPI to charge for larger, higher priced replacement parts and issue credit once the replaced component has been returned to FPI and evaluated for manufacturer defect.

The authorized selling dealer is responsible for all in-field service work carried out on your Hampton product. FPI will not be liable for results or costs of workmanship from unauthorized service persons or dealers.

At all times FPI reserves the right to inspect product in the field which is claimed to be defective.

**Exclusions:**

This limited Lifetime Warranty does not extend to or include paint (charcoal units), porcelain (including pinholes, scratches and minor shade mismatch), door or glass gasketing or trim.

At no time will FPI be liable for any consequential damages which exceed the purchase price of the unit. FPI has no obligation to enhance or modify any unit once manufactured. ie. as products evolve, field modifications or upgrades will not be performed.

FPI will not be liable for travel costs for service work.

Installation and environmental problems are not the responsibility of the manufacturer and therefore are not covered under the terms of this warranty policy.

Refractory liners (firebrick), gaskets, door handles, paint are not covered under the terms of this warranty policy.

Any unit which shows signs of neglect or misuse is not covered under the terms of this warranty policy.

The warranty will not extend to any part which has been tampered with or altered in any way, or in our judgment has been subject to misuse, improper installation, negligence or accident, spillage or downdrafts caused by environmental or geographical conditions, inadequate ventilation, excessive offsets, negative air pressure caused by mechanical systems such as furnaces, fans, clothes dryer, etc.

Freight damage to stoves and replacement parts is not covered by warranty and is subject to a claim against the freight carrier by the dealer.

FPI will not be liable for acts of God, or acts of terrorism, which cause malfunction of the appliance.

Performance problems due to operator error will not be covered by this warranty policy.

\* Subsidy according to job scale as predetermined by FPI.

**Hampton fireplace products are designed with reliability and simplicity in mind. In addition, our internal Quality Assurance Team carefully inspects each unit thoroughly before it leaves our door.**

**FPI Fireplace Products International Ltd. is pleased to extend this Limited Lifetime Warranty to the original purchaser of a Hampton Product.**

**See the inside back cover for details.**

**Register your Hampton online at  
<http://www.hampton-fire.com>**

*Installer: Please complete the following information*

**Dealer Name & Address:** \_\_\_\_\_  
\_\_\_\_\_

**Installer:** \_\_\_\_\_

**Phone #:** \_\_\_\_\_

**Date Installed:** \_\_\_\_\_

**Serial No.:** \_\_\_\_\_