

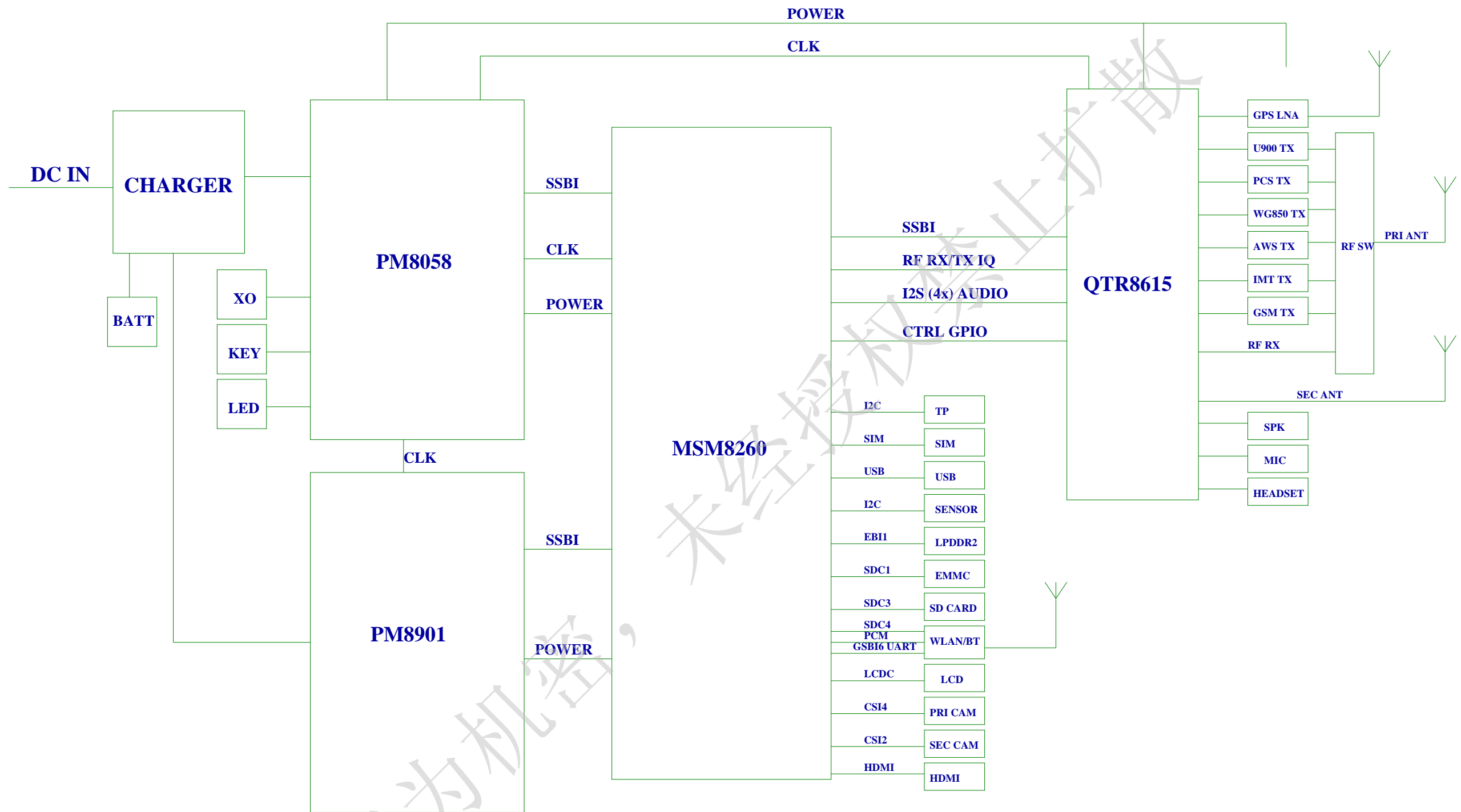
1. Contents

- 1.Contents
- 2.Block Diagram
- 3.AP Power
- 4.AP Power
- 5.AP Power GND
- 6.SDRAM
- 7.EMMC
- 8.CAM and HDMI
- 9.MSM GPIOs 1
- 10.MSM GPIOs 2
- 11.MSM I/Q
- 12.POWER MANAGEMENT 1
- 13.POWER MANAGEMENT 2
- 14.PMU HK
- 15.POWER MANAGEMENT 3
- 16.LCD/TP
- 17.camera
- 18.interface
- 19.sensor
- 20.Audio
- 21.RF INPUT OUPUT PORTS 1
- 22.RF INPUT OUPUT PORTS 2
- 23.RF PART XO ROUTING AND CONTROL OPTIONS
- 24. GPS FRONT END CIRCUIT
- 25.SP10T SWITCHPLEXER
- 26. UMTS BAND1/IMT TX CHAIN
- 27.UMTS BAND2/PCS TX CHAIN
- 28.UMTS BAND4/AWS TX CHAIN
- 29.UMTS BAND5/CELL TX CHAIN
- 30.UMTS BAND8/U900 TX CHAIN
- 31.GSM QUAD BAND LINEAR PA
- 32.Diversity Receive CHAIN
- 33.QTR8615
- 34.QTR8615 POWER AND GND
- 35.QTR8615 POWER DISTRIBUTION -1
- 36.QTR8615 POWER DISTRIBUTION -2
- 37.CAPACITOR SENSOR
- 38.MIC ENHANCE
- 39.WLAN & BT & FM interface
- 40.WLAN & BT & FM POWER and GND

The type and specification of the components refer to the BOM

				NA	2011-8-13
				ECA NO	DATE
DESIGNED	YANGWENTAO 00181297		HIDS7PMA5		00658623
REVIEWED	ZHENHAI TAO		VER	PART_NUMBER	SHEET 1 OF 40
			D	03021GAY	HUAWEI TECH CO.,LTD.

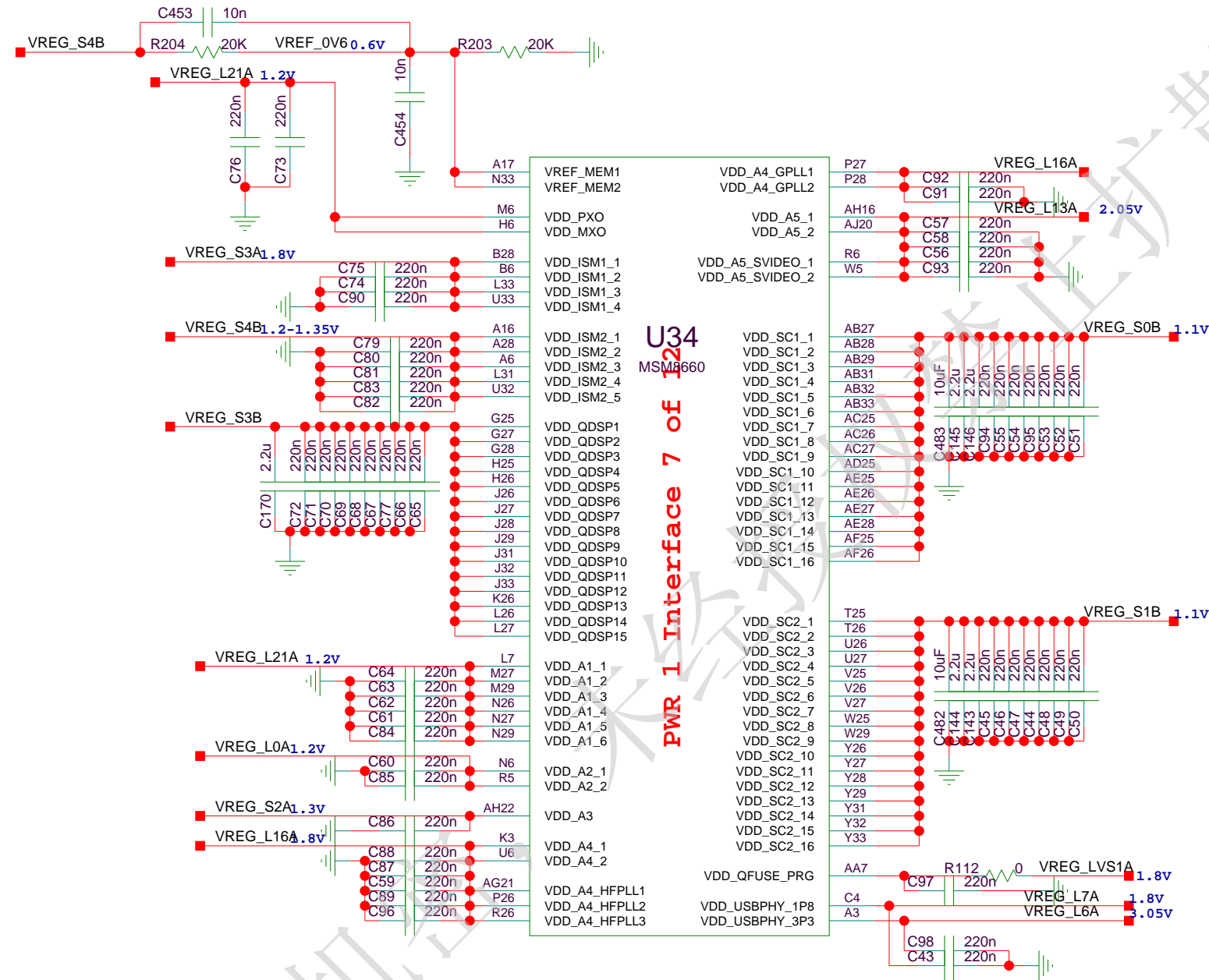
2.Block Diagram



The type and specification of the components refer to the BOM

				NA	2011-8-13
				ECA NO	DATE
DESIGNED	YANGWENTAO 00181297			HIDS7PMA5	
REVIEWED	ZHENHAITAO			00658623	
		VER	PART_NUMBER	SHEET 2 OF 40	
		D	03021GAY	HUAWEI TECH CO.,LTD.	

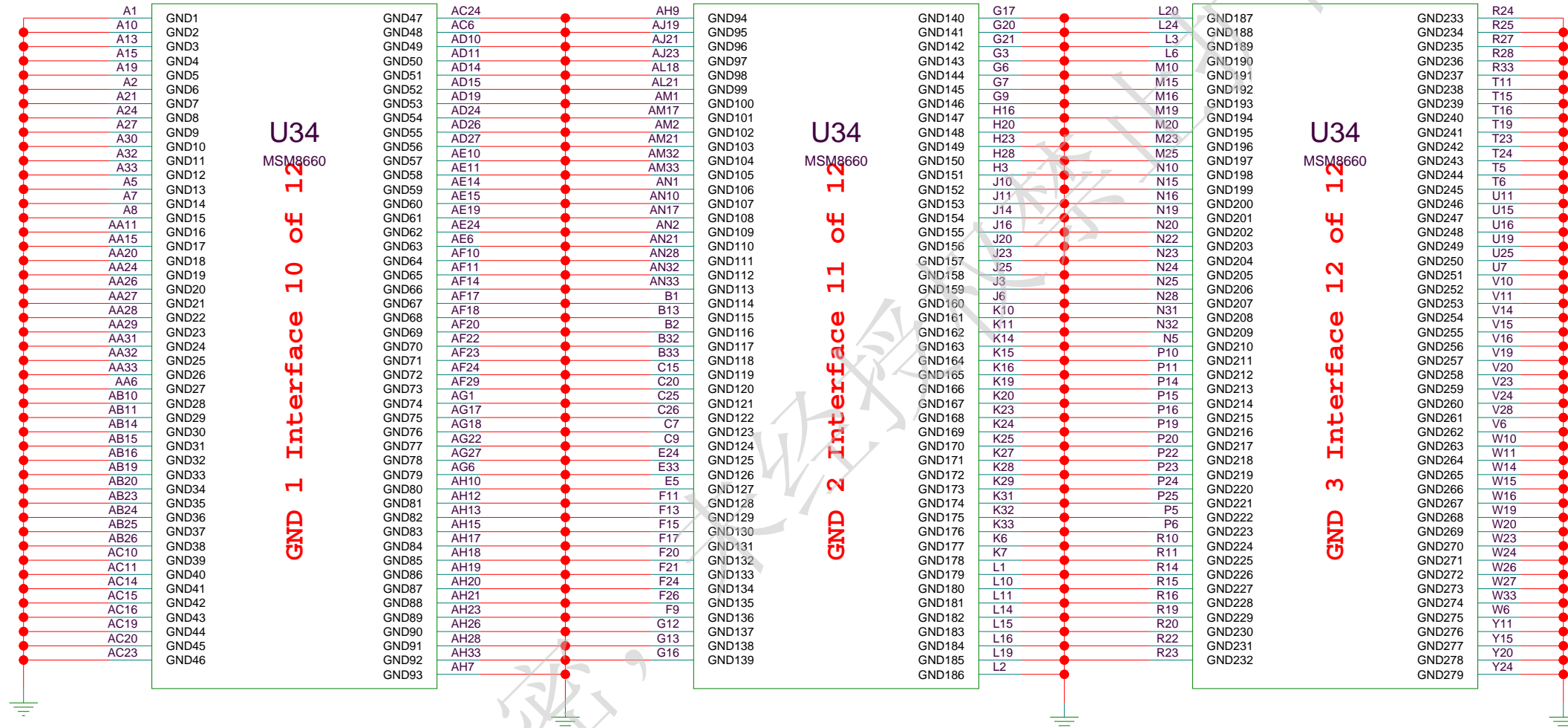
4.AP Power



The type and specification of the components refer to the BOM

				NA	2011-8-13
				ECA NO	DATE
DESIGNED	YANGWENTAO 00181297		HIDS7PMA5		00658623
REVIEWED	ZHENHAITAO		VER	PART_NUMBER	SHEET 4 OF 40
			D	03021GAY	HUAWEI TECH CO.,LTD.

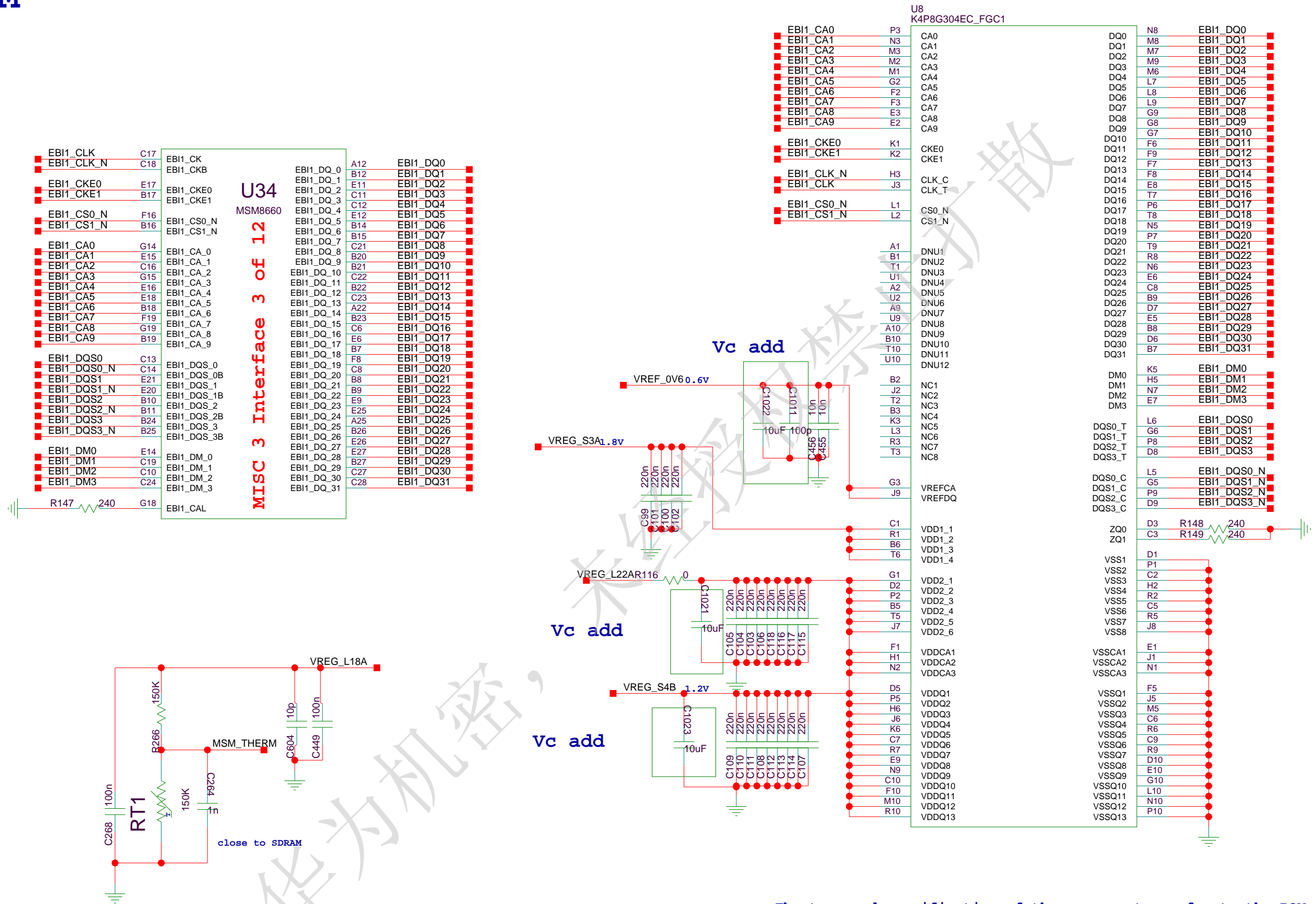
5.AP Power GND



The type and specification of the components refer to the BOM

				NA	2011-8-13
				ECA NO	DATE
DESIGNED	YANGWENTAO 00181297		HIDS7PMA5		00658623
REVIEWED	ZHENHAITAO		VER	PART_NUMBER	SHEET 5 OF 40
			D	03021GAY	HUAWEI TECH CO.,LTD.

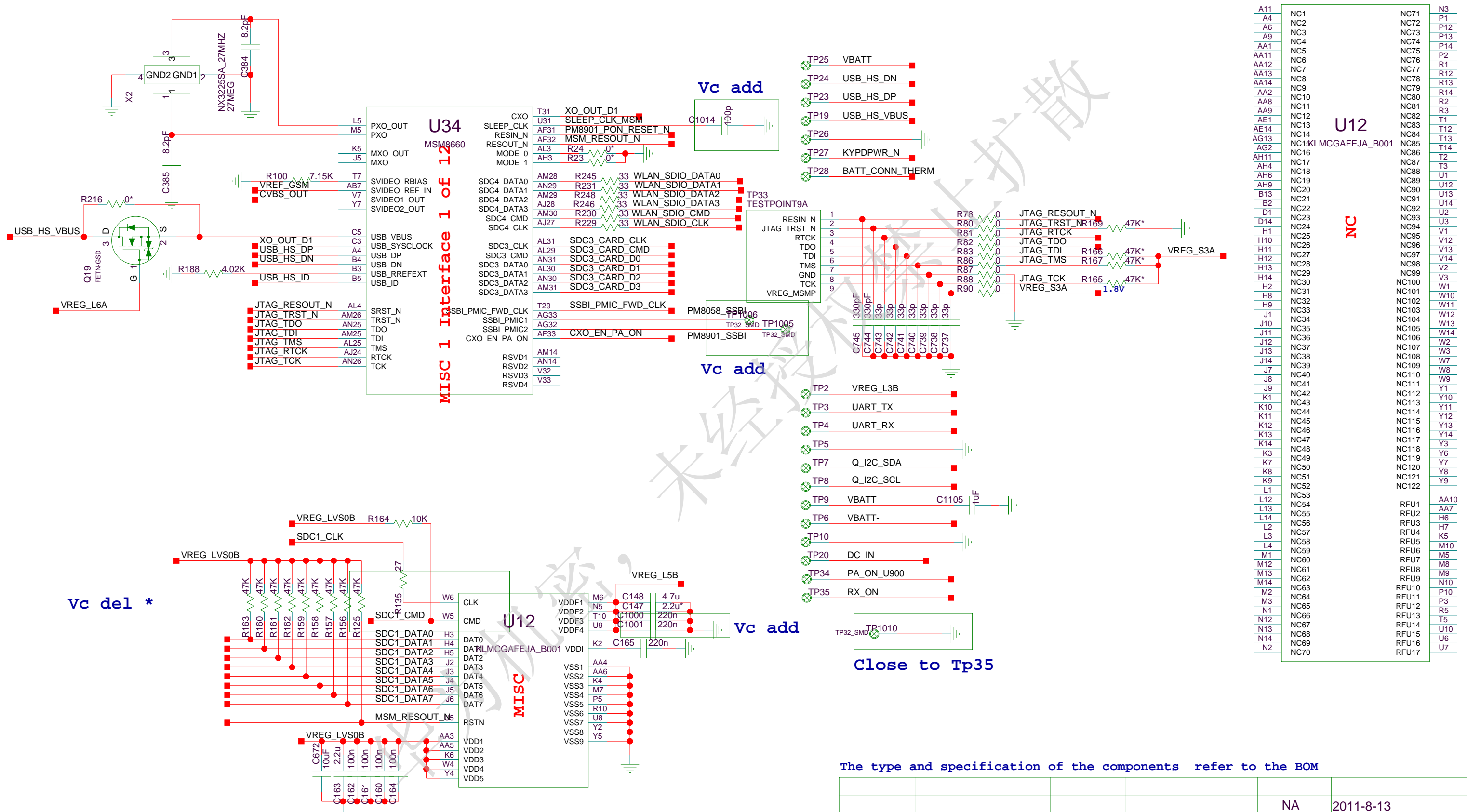
6. SDRAM



The type and specification of the components refer to the BOM

				NA	2011-8-13
				ECA NO	DATE
DESIGNED	YANGWENTAO 00181297		HIDS7PMA5		00658623
REVIEWED	ZHENHAITAO		VER	PART_NUMBER	SHEET 6 OF 40
			D	03021GAY	HUAWEI TECH CO.,LTD.

7. EMMC



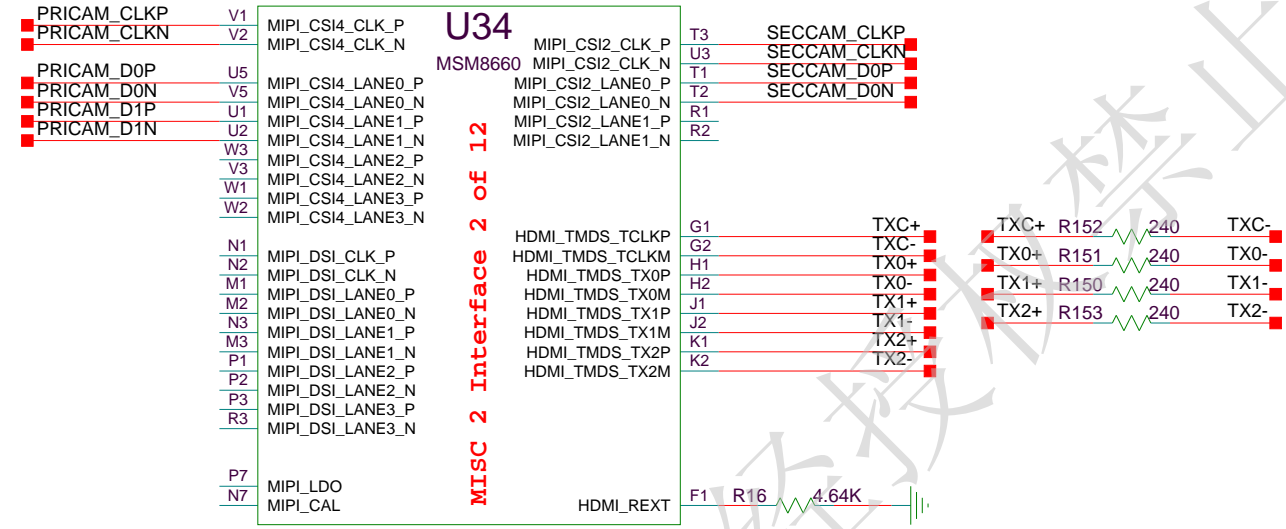
A11	NC1	NC71	N3
A4	NC2	NC72	P1
A6	NC3	NC73	P12
A9	NC4	NC74	P13
AA1	NC5	NC75	P14
AA11	NC6	NC76	P2
AA12	NC7	NC77	R1
AA13	NC8	NC78	R12
AA14	NC9	NC79	R13
AA2	NC10	NC80	R14
AA8	NC11	NC81	R2
AA9	NC12	NC82	R3
AE1	NC13	NC83	T1
AE14	NC14	NC84	T12
AG13	NC15	NC85	T13
AG2	NC16	NC86	T14
AH11	NC17	NC87	T2
AH4	NC18	NC88	T3
AH6	NC19	NC89	T3
AH9	NC20	NC90	T3
B13	NC21	NC91	T3
B2	NC22	NC92	T3
D1	NC23	NC93	T3
D14	NC24	NC94	T3
H1	NC25	NC95	T3
H10	NC26	NC96	T3
H11	NC27	NC97	T3
H12	NC28	NC98	T3
H13	NC29	NC99	T3
H14	NC30	NC100	T3
H2	NC31	NC101	T3
H8	NC32	NC102	T3
H9	NC33	NC103	T3
J1	NC34	NC104	T3
J10	NC35	NC105	T3
J11	NC36	NC106	T3
J12	NC37	NC107	T3
J13	NC38	NC108	T3
J14	NC39	NC109	T3
J7	NC40	NC110	T3
J8	NC41	NC111	T3
J9	NC42	NC112	T3
K1	NC43	NC113	T3
K10	NC44	NC114	T3
K11	NC45	NC115	T3
K12	NC46	NC116	T3
K13	NC47	NC117	T3
K14	NC48	NC118	T3
K3	NC49	NC119	T3
K7	NC50	NC120	T3
K8	NC51	NC121	T3
K9	NC52	NC122	T3
L1	NC53	RFU1	AA10
L12	NC54	RFU2	AA7
L13	NC55	RFU3	H6
L14	NC56	RFU4	H7
L2	NC57	RFU5	K5
L3	NC58	RFU6	M10
L4	NC59	RFU7	M5
M1	NC60	RFU8	M8
M12	NC61	RFU9	M9
M13	NC62	RFU10	N10
M14	NC63	RFU11	P10
M2	NC64	RFU12	P3
M3	NC65	RFU13	R5
N1	NC66	RFU14	T5
N12	NC67	RFU15	U10
N13	NC68	RFU16	U6
N14	NC69	RFU17	U7
N2	NC70		

The type and specification of the components refer to the BOM

DESIGNED	YANGWENTAO 00181297	HIDS7PMA5	00658623
REVIEWED	ZHENHAITAO		
VER	D	PART_NUMBER	03021GAY
SHEET	7	OF	40
HUAWEI TECH CO.,LTD.			

NA 2011-8-13
ECA NO DATE

8.CAM and HDMI

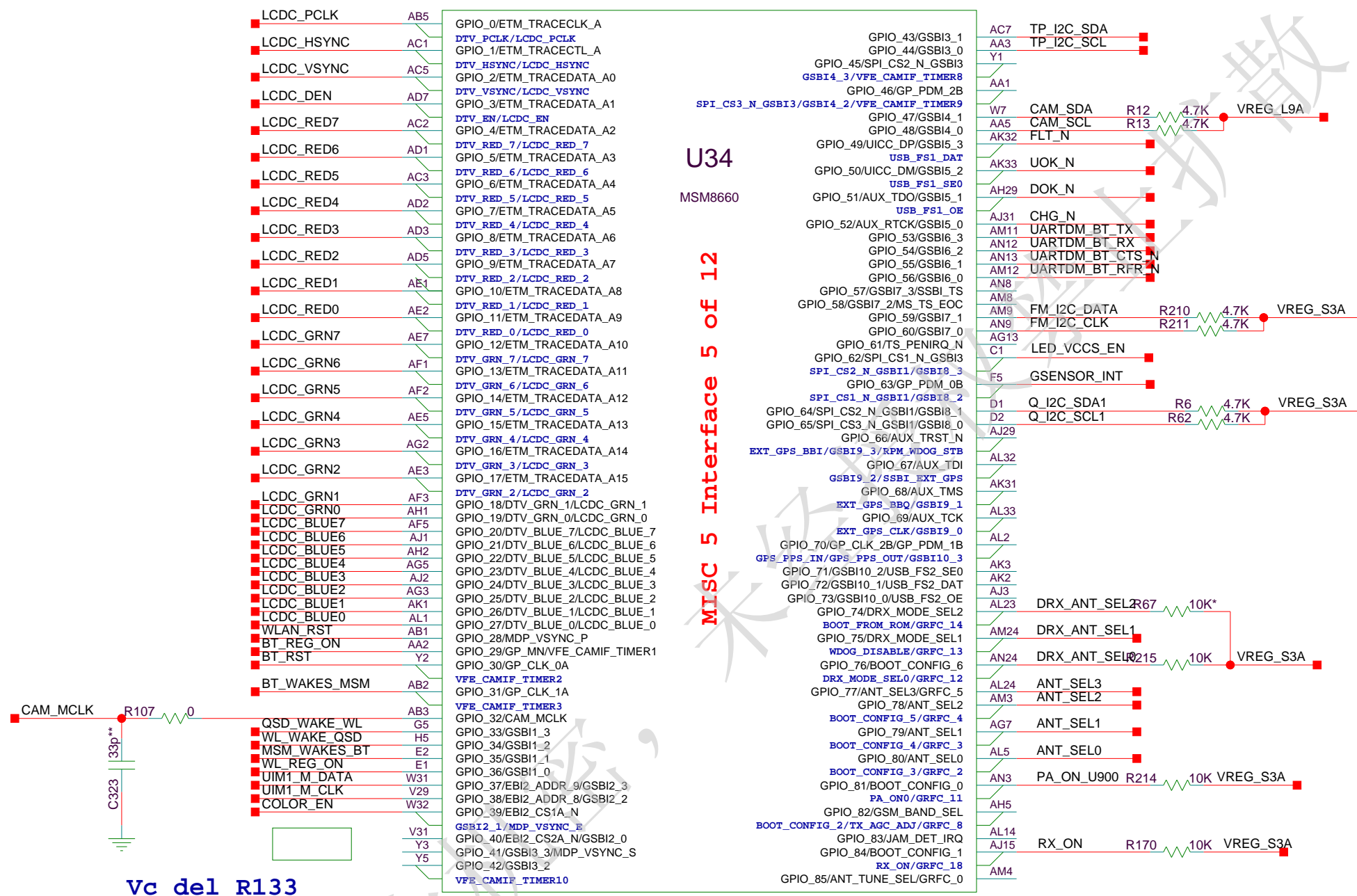


华为机密

The type and specification of the components refer to the BOM

				NA	2011-8-13
				ECA NO	DATE
DESIGNED	YANGWENTAO 00181297		HIDS7PMA5		00658623
REVIEWED	ZHENHAITAO		VER	PART_NUMBER	SHEET 8 OF 40
			D	03021GAY	HUAWEI TECH CO.,LTD.

9.MSM GPIOs 1

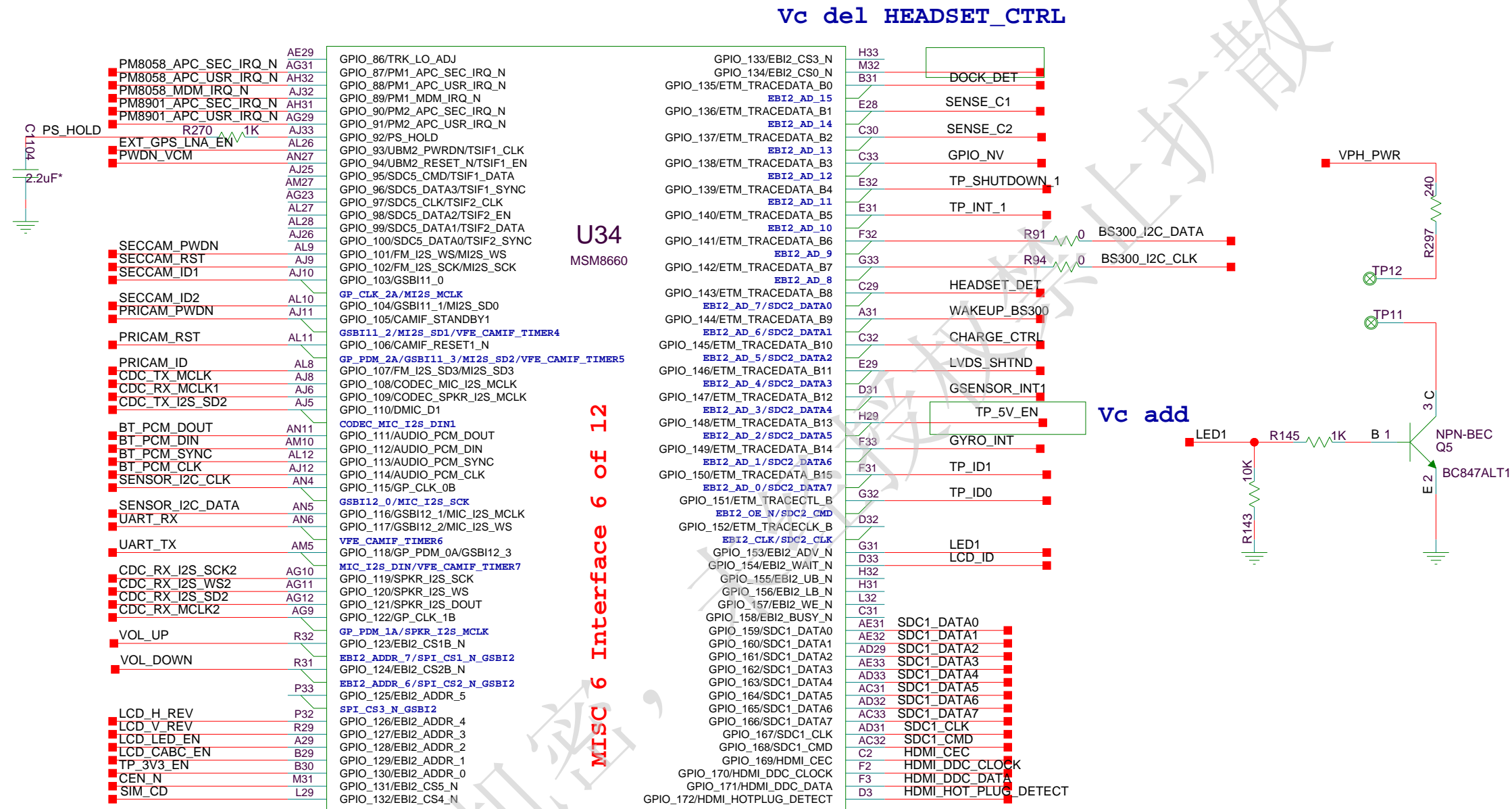


The type and specification of the components refer to the BOM

Boot Config[6]=1	Fast Boot (Default)
BOOT_FROM_ROM=1	BOOT_FROM_ROM
BOOT_CONFIG[5:0]=000011	BOOT_FROM SDCC1 (EMMC)

DESIGNED	YANGWENTAO 00181297	HIDS7PMA5	00658623
REVIEWED	ZHENHAI TAO	VER	PART_NUMBER
		D	03021GAY
		SHEET	9 OF 40
		HUAWEI TECH CO.,LTD.	

10.MSM GPIOs 2



U34

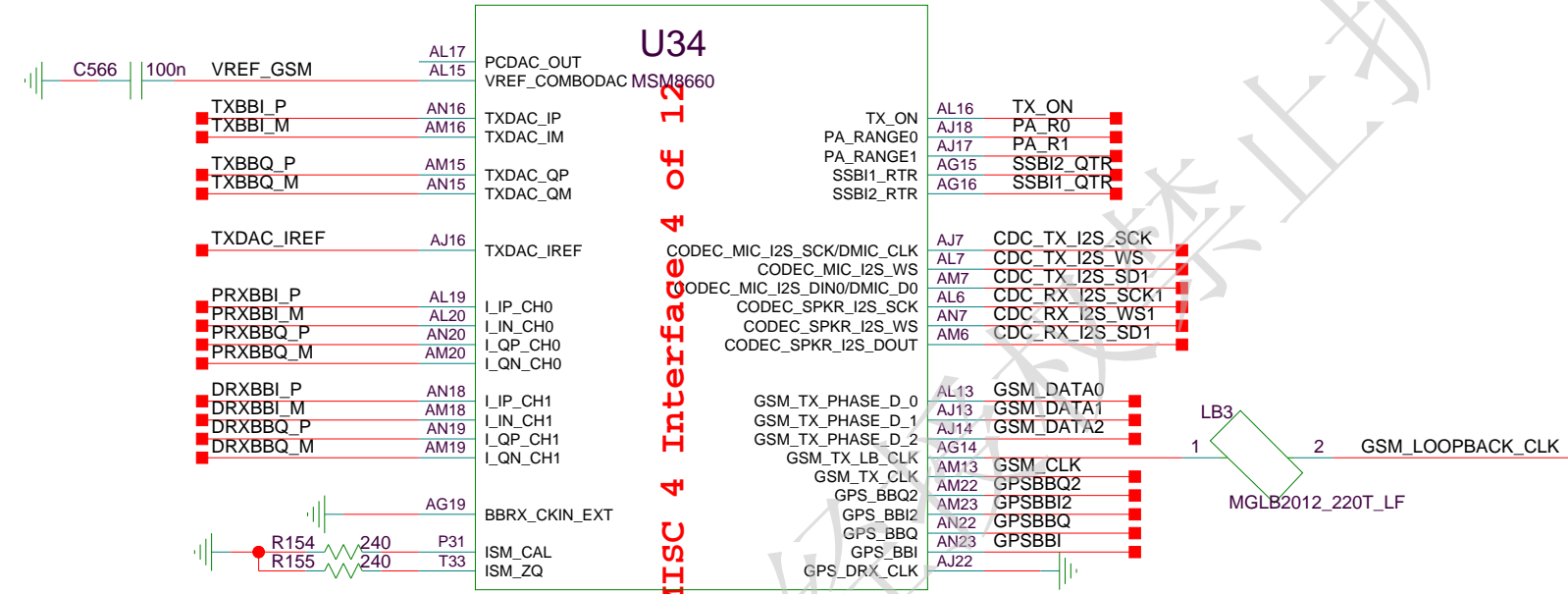
MSM8660

MISC 6 Interface 6 of 12

The type and specification of the components refer to the BOM

DESIGNED	YANGWENTAO 00181297	HIDS7PMA5	00658623
REVIEWED	ZHENHAITAO	VER	PART_NUMBER
		D	03021GAY
		SHEET	10 OF 40
		HUAWAI TECH CO.,LTD.	

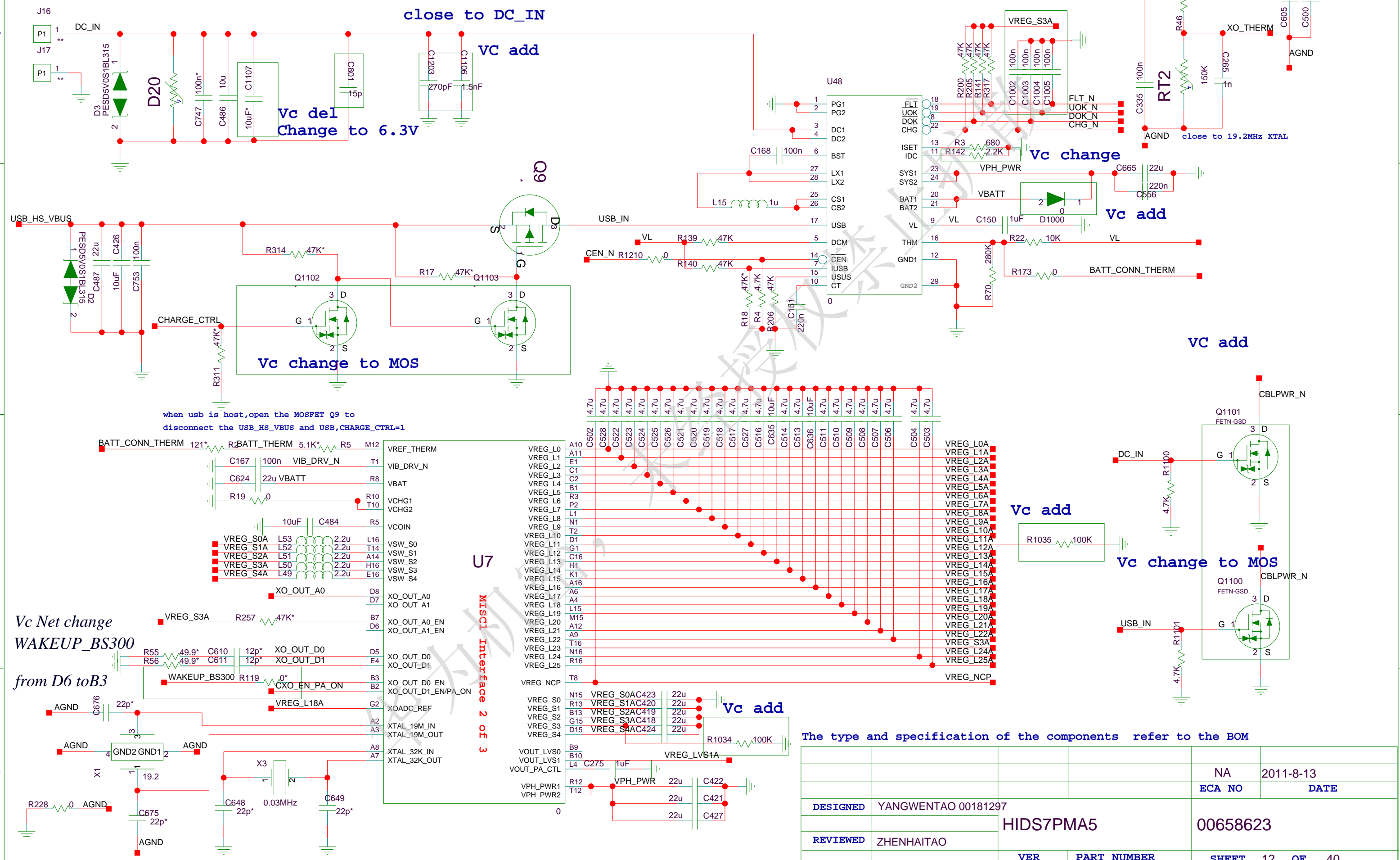
11.MSM I/Q



The type and specification of the components refer to the BOM

				NA	2011-8-13
				ECA NO	DATE
DESIGNED	YANGWENTAO 00181297	HIDS7PMA5		00658623	
REVIEWED	ZHENHAITAO	VER	PART_NUMBER	SHEET 11 OF 40	
		D	03021GAY	HUAWEI TECH CO.,LTD.	

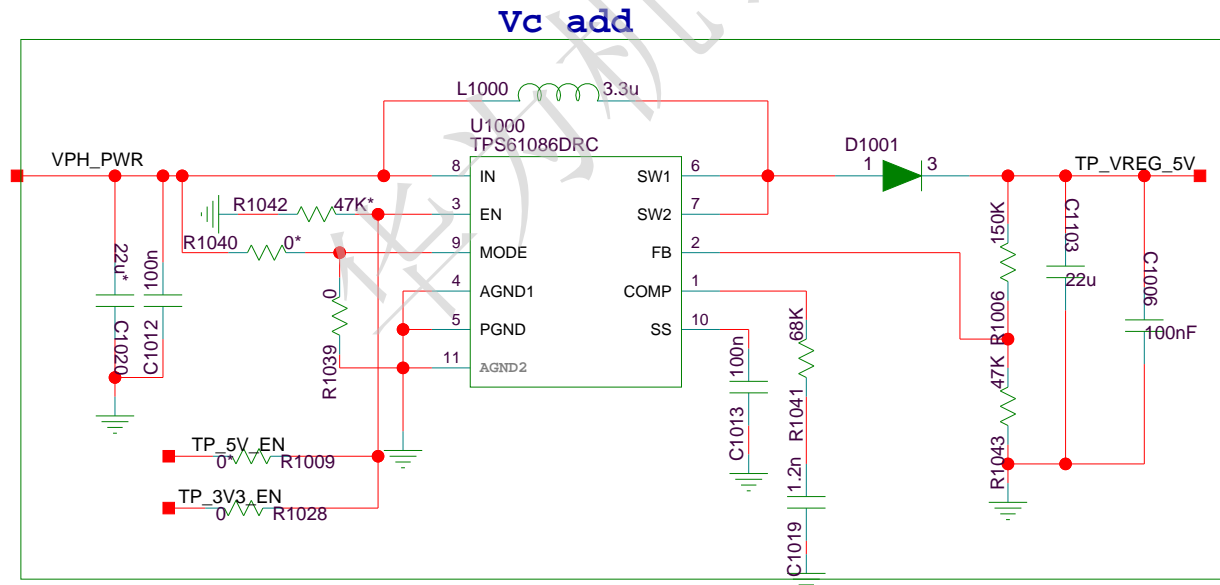
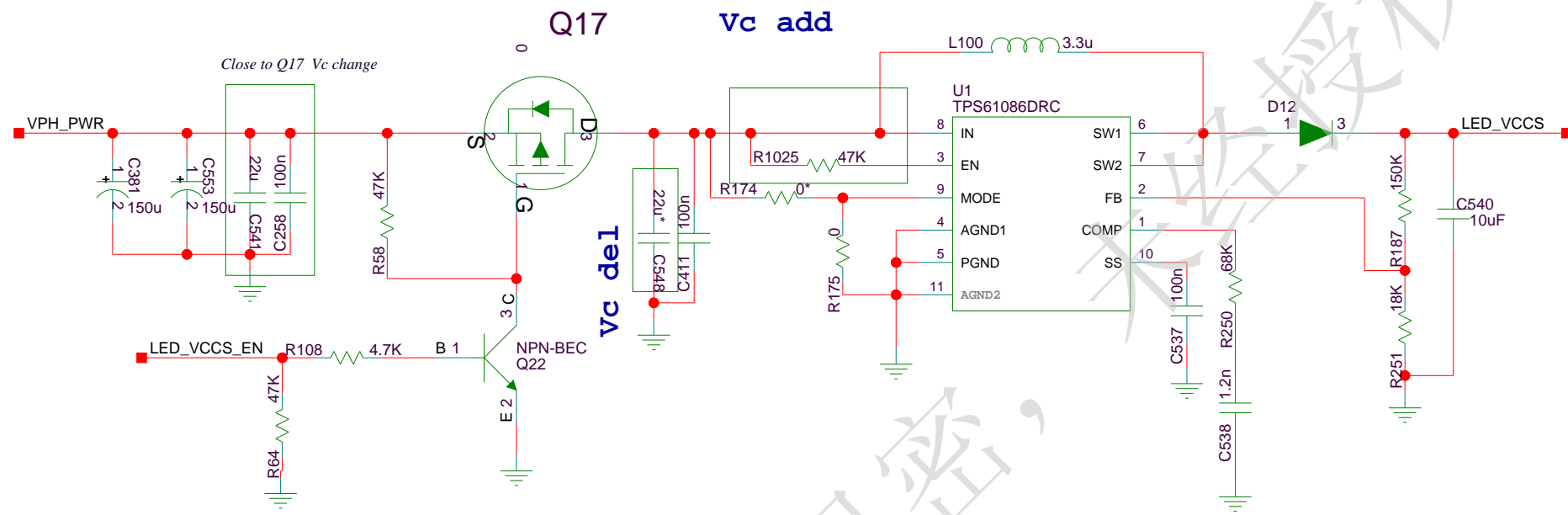
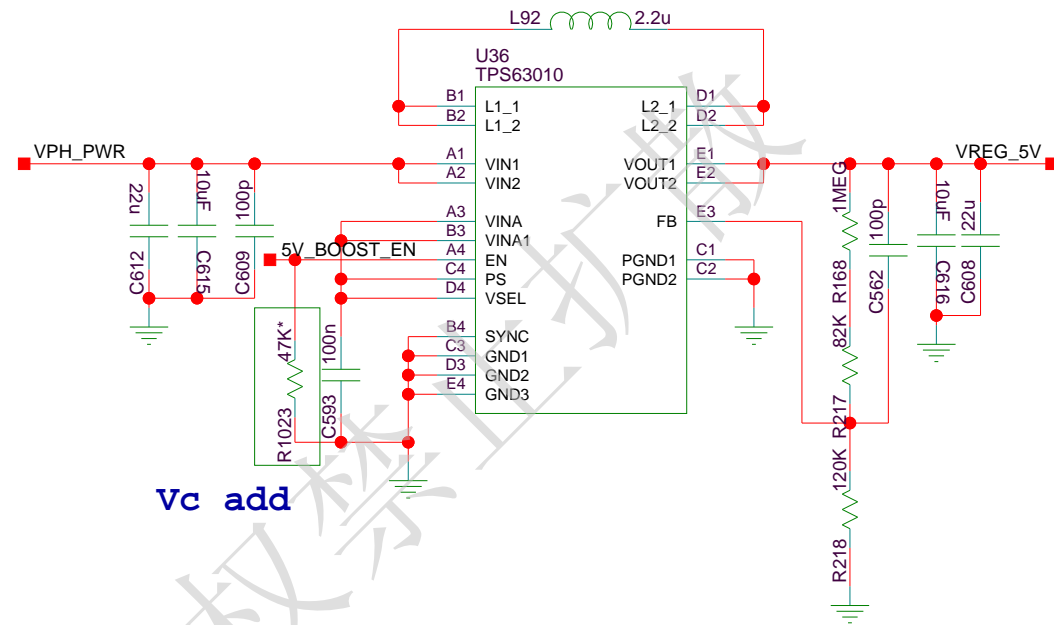
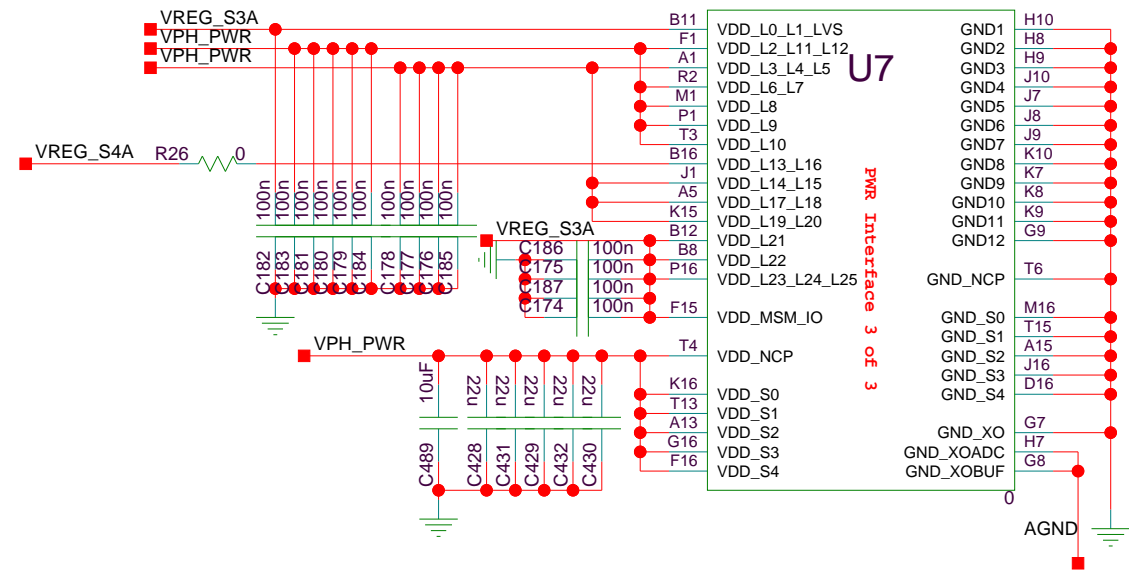
12. POWER MANAGEMENT 1



The type and specification of the components refer to the BOM

DESIGNED	YANGWENTAO 00181297	HIDS7PMA5	00658623
REVIEWED	ZHENHAI TAO		
VER	D	PART_NUMBER	03021GAY
		SHEET	12 OF 40
		HUAWEI TECH CO.,LTD.	

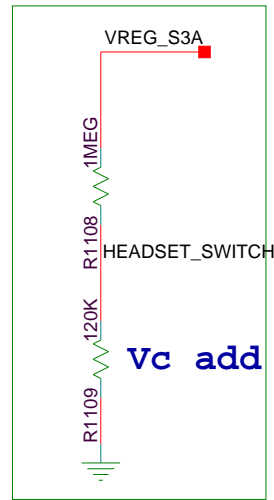
13. POWER MANAGEMENT 2



The type and specification of the components refer to the BOM

				NA	2011-8-13
				ECA NO	DATE
DESIGNED	YANGWENTAO 00181297		HIDS7PMA5		00658623
REVIEWED	ZHENHAITAO		VER	PART_NUMBER	SHEET 13 OF 40
			D	03021GAY	HUAWEI TECH CO.,LTD.

14.PMU HK

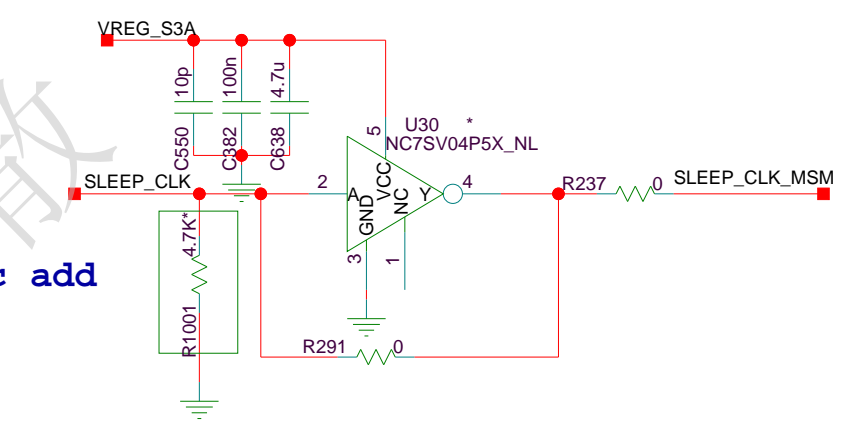
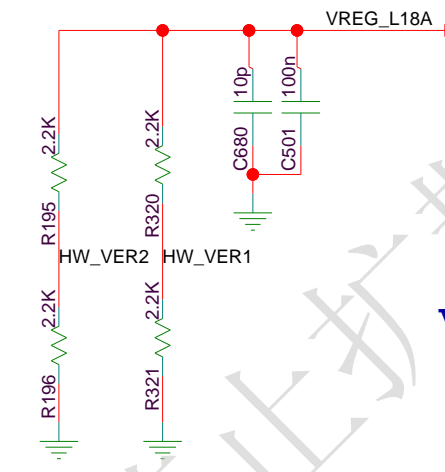
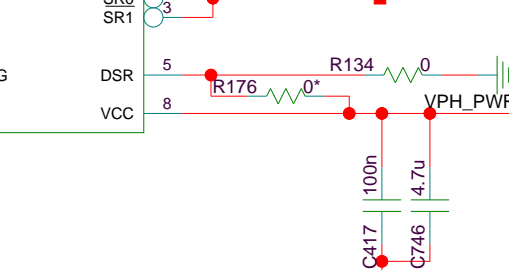
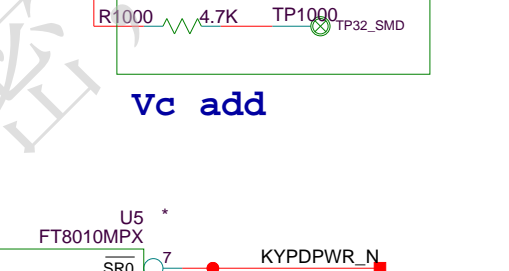
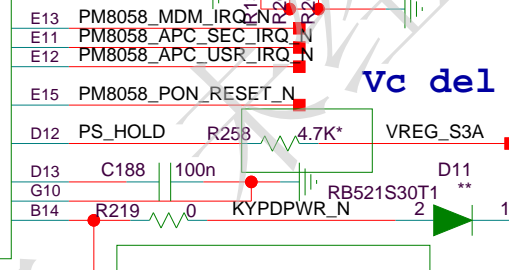
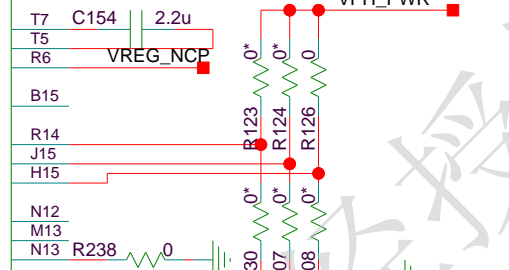
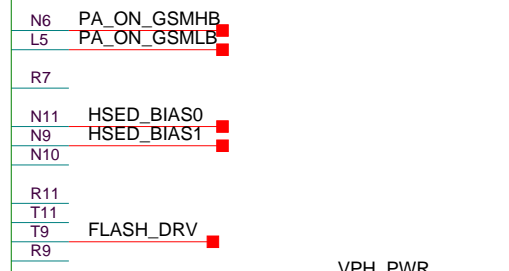
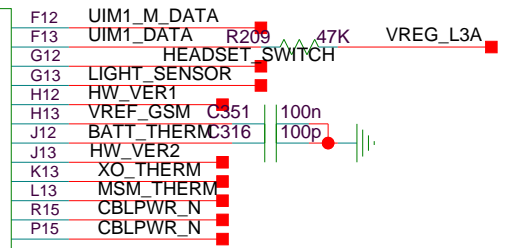


U7

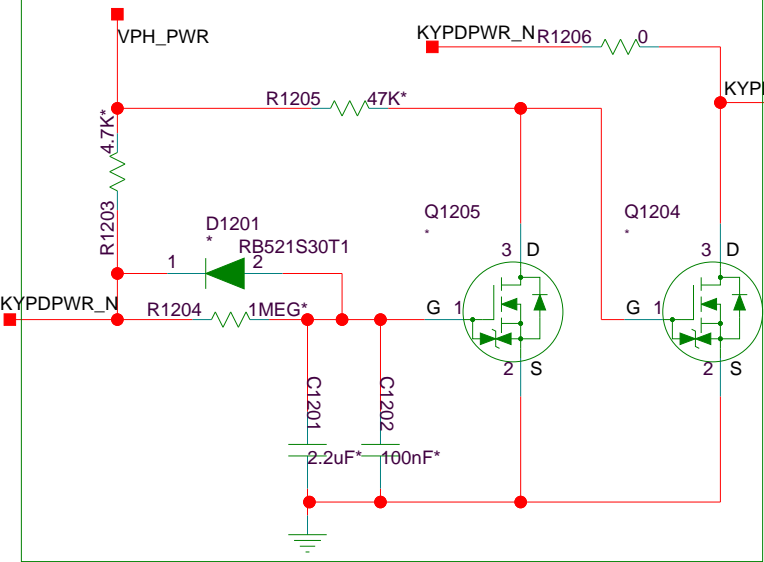
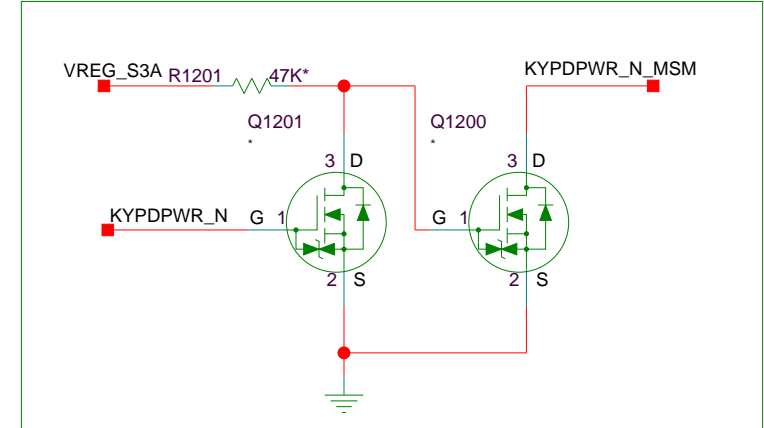
MISC2 Interface 2 of 3

B5	GPIO_01/KYPD_SNS1
B6	GPIO_02/KYPD_SNS2
E2	GPIO_03/KYPD_SNS3
F2	GPIO_04/KYPD_SNS4
J2	GPIO_05/KYPD_SNS5
K5	GPIO_06/KYPD_SNS6
H2	GPIO_07/KYPD_SNS7
K4	GPIO_08/KYPD_SNS8
L2	GPIO_09/KYPD_DRV1
R4	GPIO_10/KYPD_DRV2
K6	GPIO_11/KYPD_DRV3
M6	GPIO_12/KYPD_DRV4
M2	GPIO_13/KYPD_DRV5
M7	GPIO_14/KYPD_DRV6
N8	GPIO_15/KYPD_DRV7
M9	GPIO_16/KYPD_DRV8
N7	GPIO_17/KYPD_DRV9
M11	GPIO_18/KYPD_DRV10
M10	GPIO_19/KYPD_DRV11
N2	GPIO_20/KYPD_DRV12
B4	GPIO_21/KYPD_DRV13/UART_TX1
D2	GPIO_22/KYPD_DRV14/UART_TX2
E6	GPIO_23/KYPD_DRV15/UART_TX3
E7	GPIO_24/KYPD_DRV16/LPG_DRV1
E8	GPIO_25/KYPD_DRV17/LPG_DRV2
D9	GPIO_26/KYPD_DRV18/LPG_DRV3
E9	GPIO_27/UIM_M_RST
E5	GPIO_28/UIM_RST
F5	GPIO_29/UIM_M_CLK
F4	GPIO_30/UIM_CLK
G4	GPIO_31/EBOOT_TX
G5	GPIO_32/EBOOT_RX
E10	GPIO_33/UART_RX1/UPL_IN1
H4	GPIO_34/UART_RX2/UPL_IN2
H5	GPIO_35/UART_RX3/UPL_IN3
K12	GPIO_36/UART_M_TX/UPL_IN4
L12	GPIO_37/UART_M_RX/UPL_OUT
J5	GPIO_38/SLEEP_CLK1
J4	GPIO_39/SLEEP_CLK2/MP3_CLK
M8	GPIO_40/EXT_SMPS_EN
R1	KYPD_DRV_N
D10	KYPD_PWR_N
C15	SLEEP_CLK0
D11	SSBI
N5	U_PA_ON0
N4	U_PA_ON1
M5	U_PA_ON2
M4	U_PA_ON3

Vc del HEADSET_SWITCH



VC ADD



CDC_SYS_RST_N

SDC3_CARD_CD

LCD_PWM

UIM1_M_CLK

UIM1_CLK

UIM1_RESET

USB_HS_ID

SSBI_PMIC_FWD_CLK

LED_1

KYPD_PWR_N_MSM

SLEEP_CLK

PM8058_SSBI

PA_ON_IMT

PA_ON_PCS

PA_ON_AWS

PA_ON_CELL

PS_HOLD

VPH_PWR

RT_IC_OUT

KYPD_PWR_N

VPH_PWR

PS_HOLD

VPH_PWR

RT_IC_OUT

VPH_PWR

RT_IC_OUT

VPH_PWR

RT_IC_OUT

VPH_PWR

RT_IC_OUT

VPH_PWR

RT_IC_OUT

VPH_PWR

The type and specification of the components refer to the BOM

DESIGNED	YANGWENTAO 00181297	HIDS7PMA5	00658623
REVIEWED	ZHENHAI TAO	VER	PART_NUMBER
		D	03021GAY
			SHEET 14 OF 40
			HUAWEI TECH CO.,LTD.

NA 2011-8-13

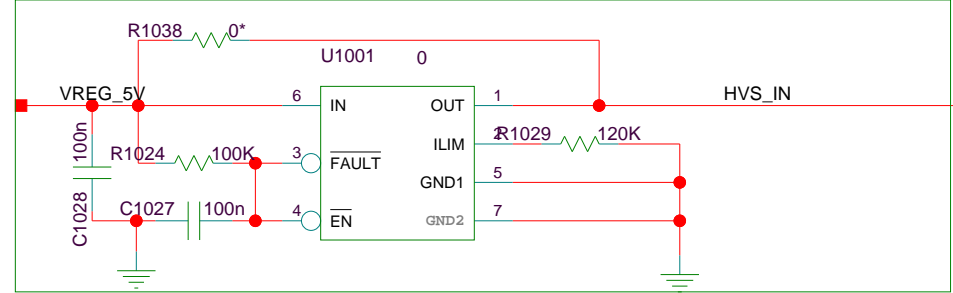
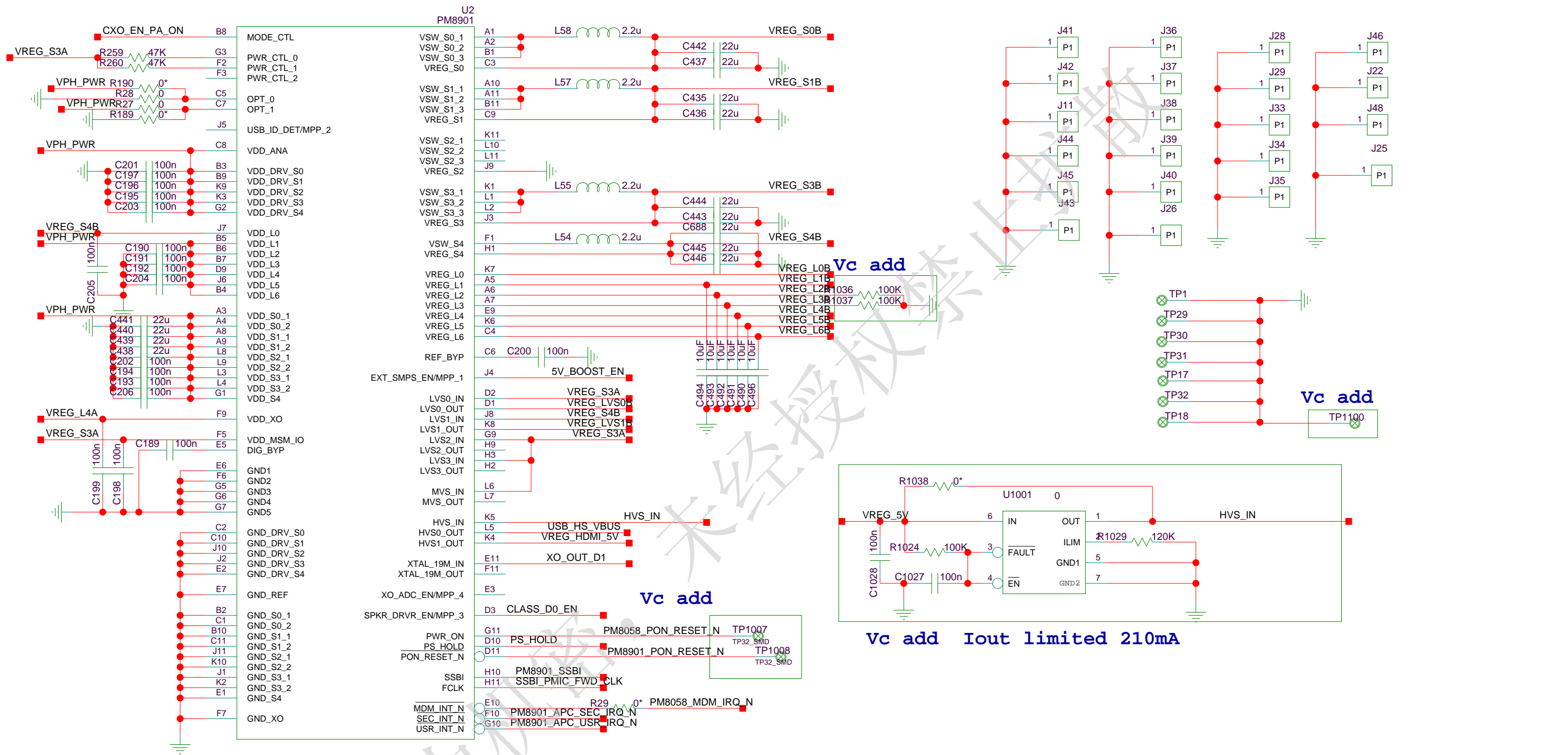
ECA NO DATE

00658623

SHEET 14 OF 40

HUAWEI TECH CO.,LTD.

15. POWER MANAGEMENT 3

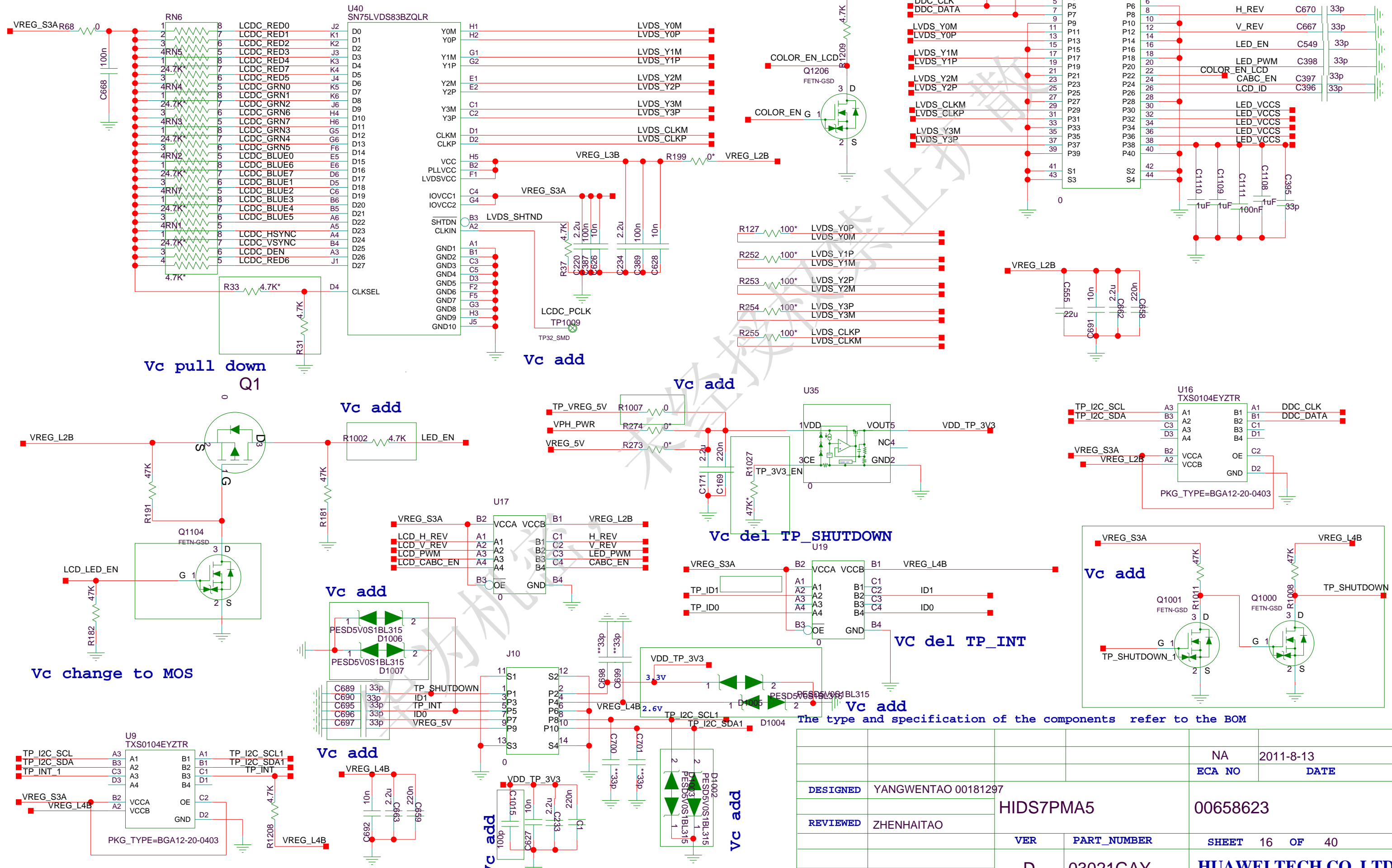


Vc add Iout limited 210mA

The type and specification of the components refer to the BOM

				NA	2011-8-13
				ECA NO	DATE
DESIGNED	YANGWENTAO 00181297		HIDS7PMA5		00658623
REVIEWED	ZHENHAITAO		VER	PART_NUMBER	SHEET 15 OF 40
			D	03021GAY	HUAWEI TECH CO.,LTD.

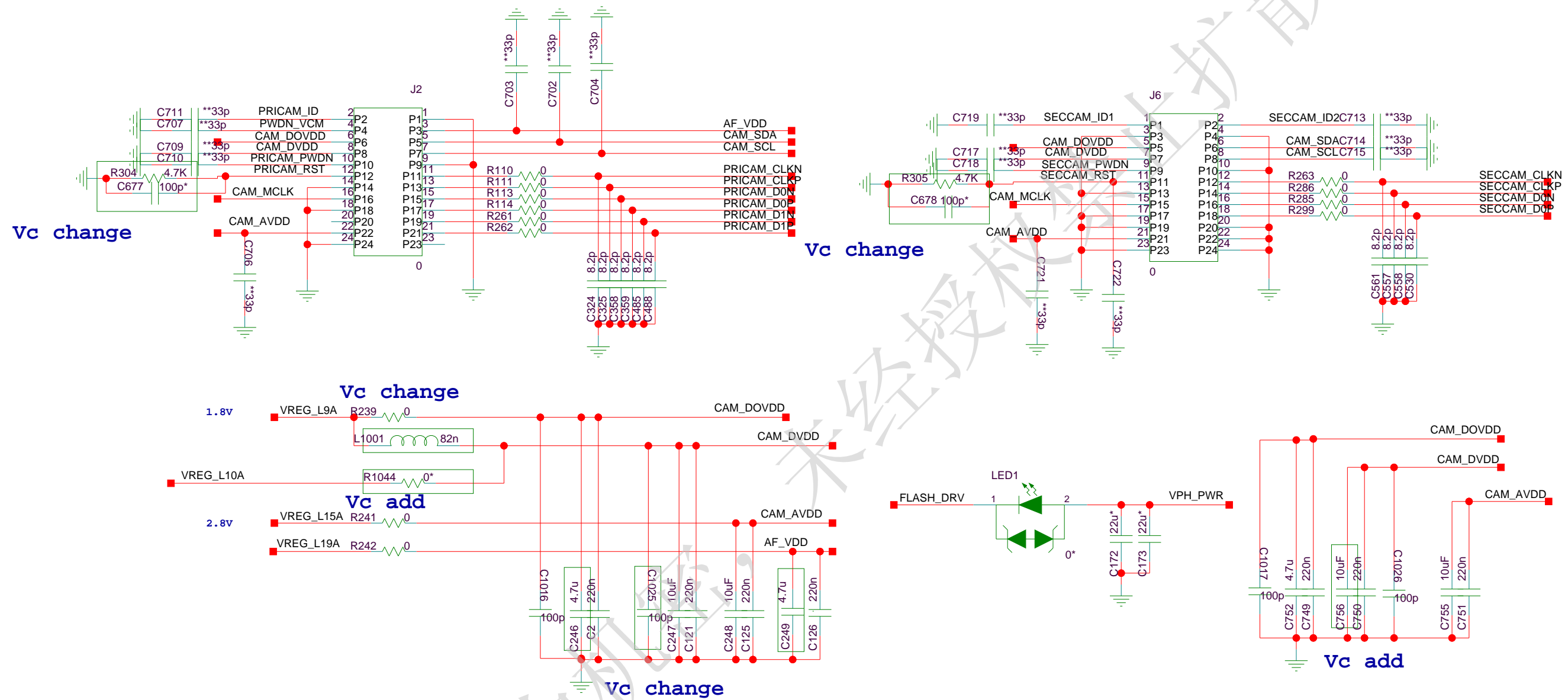
16.LCD/TP



The type and specification of the components refer to the BOM

DESIGNED	YANGWENTAO 00181297	HIDS7PMA5	00658623
REVIEWED	ZHENHAITAO		
VER	D	PART_NUMBER	03021GAY
		SHEET	16 OF 40
		HUAWEI TECH CO.,LTD.	
		NA	2011-8-13
		ECA NO	DATE

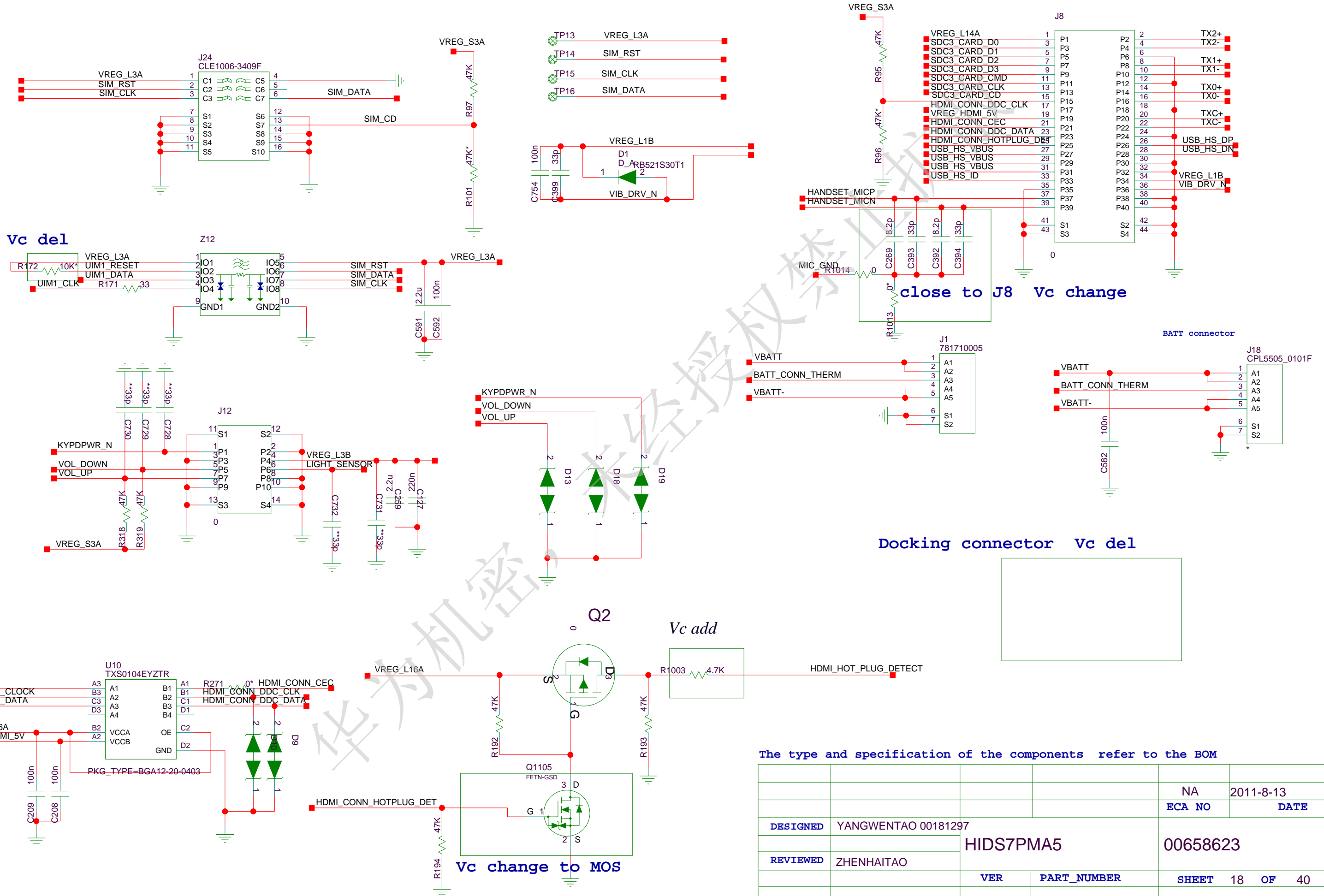
17.camera



The type and specification of the components refer to the BOM

				NA	2011-8-13
				ECA NO	DATE
DESIGNED	YANGWENTAO 00181297			00658623	
REVIEWED	ZHENHAITAO			00658623	
	VER	PART_NUMBER	SHEET 17 OF 40		
	D	03021GAY	HUAWEI TECH CO.,LTD.		

18.interface

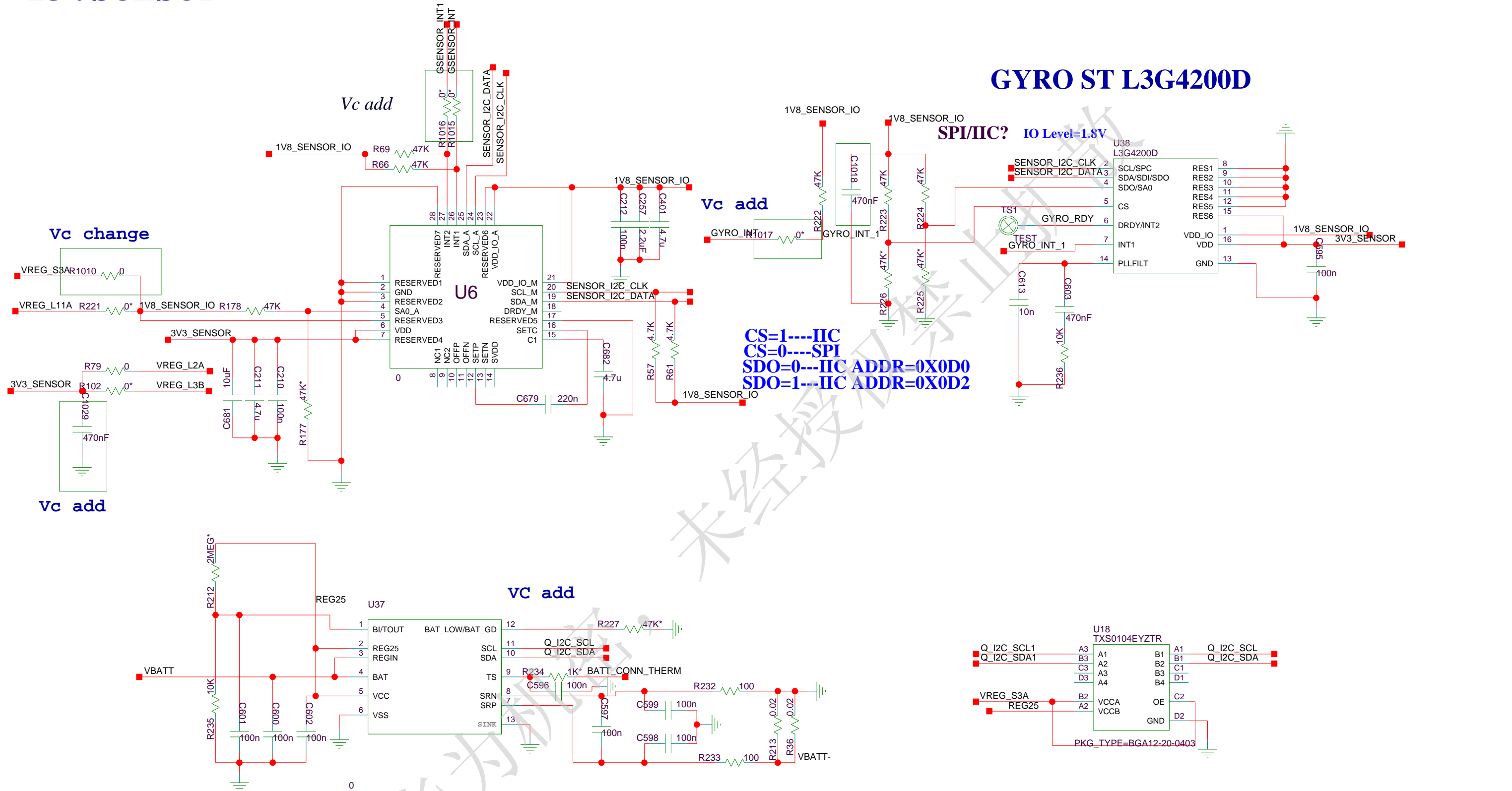


The type and specification of the components refer to the BOM

DESIGNED	YANGWENTAO 00181297	HIDS7PMA5	00658623
REVIEWED	ZHENHAI TAO		
		VER	PART_NUMBER
		D	03021GAY
			SHEET 18 OF 40
			HUAWEI TECH CO.,LTD.

19.sensor

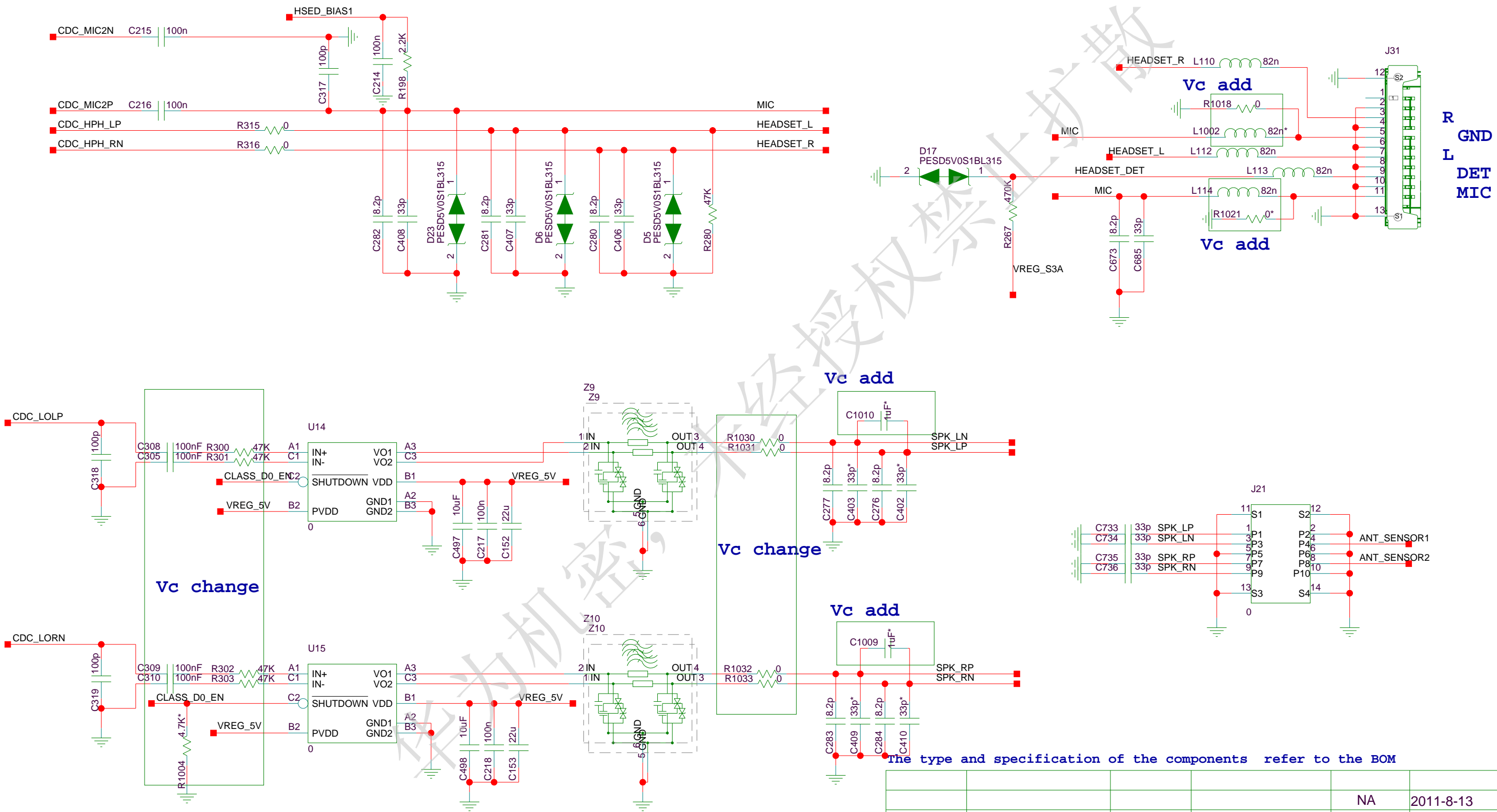
GYRO ST L3G4200D



The type and specification of the components refer to the BOM

				NA	2011-8-13
				ECA NO	DATE
DESIGNED	YANGWENTAO 00181297	HIDS7PMA5		00658623	
REVIEWED	ZHENHAITAO	VER	PART_NUMBER	SHEET 19 OF 40	
		D	03021GAY	HUAWEI TECH CO.,LTD.	

20.Audio



The type and specification of the components refer to the BOM

				NA	2011-8-13
				ECA NO	DATE
DESIGNED	YANGWENTAO 00181297		HIDS7PMA5		00658623
REVIEWED	ZHENHAITAO		VER	PART_NUMBER	SHEET 20 OF 40
			D	03021GAY	HUAWEI TECH CO.,LTD.

21.RF INPUT OUPUT PORTS 1

1 RF INPUT OUPUT PORTS

2 INTERFACE LINE

3 XO ROUTING AND CONTROL OPTIONS

4 GPS FRONT END CIRCUIT

5 SP10T SWITCHPLEXER

6 UMTS BAND1/IMT TX CHAIN

7 UMTS BAND2/PCS TX CHAIN

8 UMTS BAND4/AWS TX CHAIN

9 UMTS BAND5/CELL TX CHAIN

10 UMTS BAND8/U900 TX CHAIN

11 GSM QUAD BAND LINEAR PA

12 Diversity Receive Chain

13 QTR8615

14 QTR8615 POWER

15 QTR8615 POWER DISTRIBUTION -1

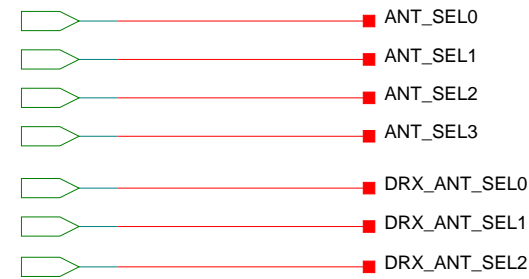
16 QTR8615 POWER DISTRIBUTION -2

17 WIFI WCN1314

18 BT WCN2243

NOTE:*means this part is DNI

For Antenna Switch Control



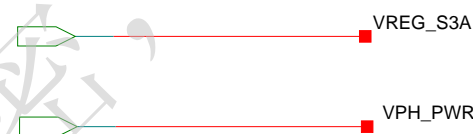
For WCDMA PA Control



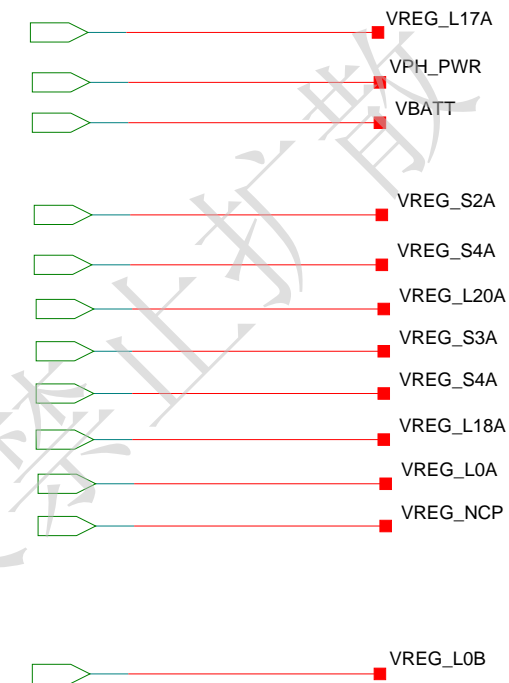
For GSM PA Control



POWER SUPPLY For WIFI/BT



Power Supply For RF



For Capacitance Sensor



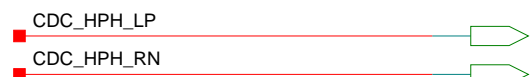
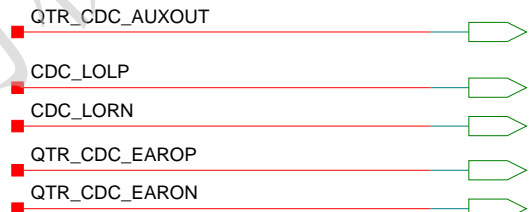
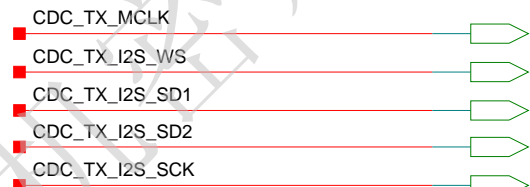
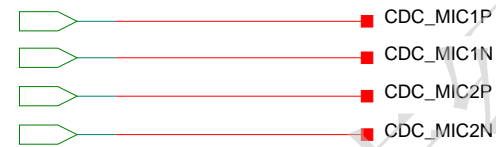
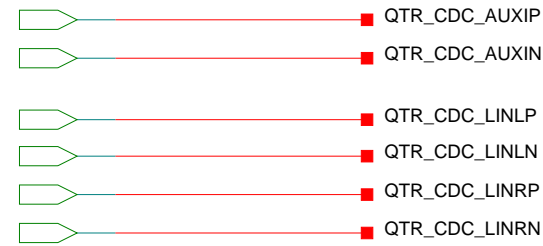
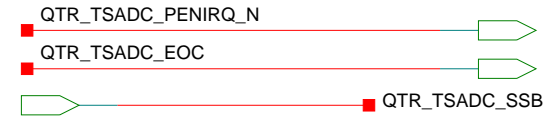
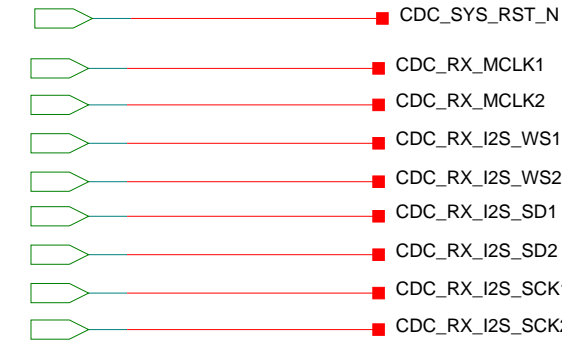
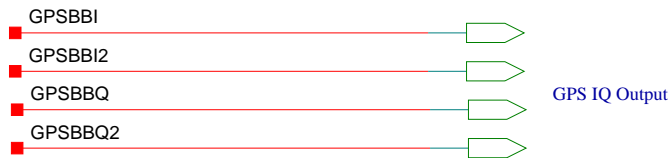
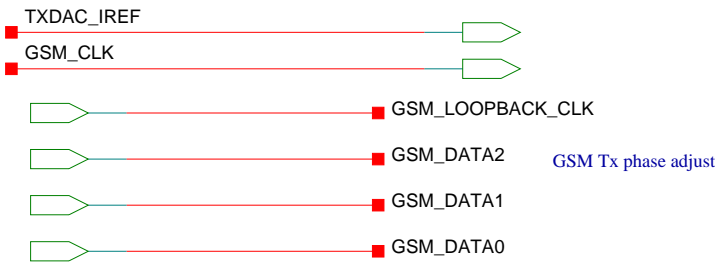
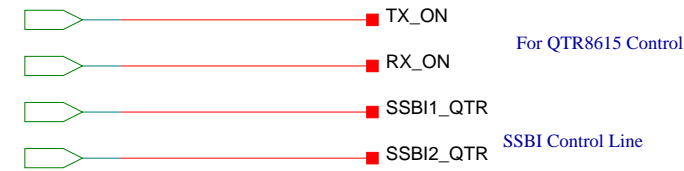
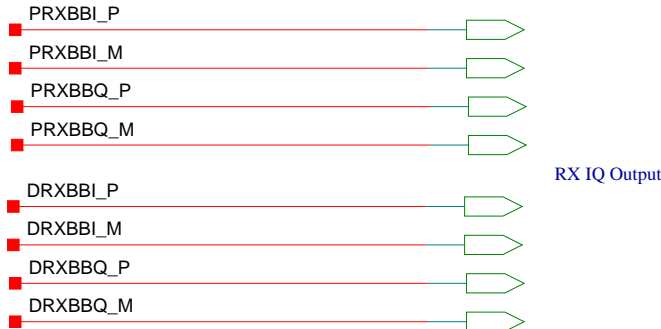
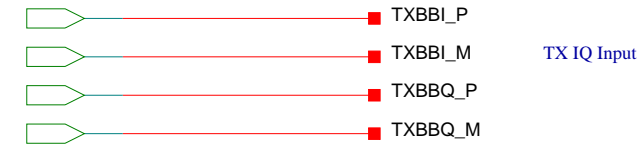
The type and specification of the components refer to the BOM

				NA	2011-8-13
				ECA NO	DATE
DESIGNED	YANGWENTAO 00181297		HIDS7PMA5		00658623
REVIEWED	ZHENHAITAO		VER	PART_NUMBER	SHEET 21 OF 40
			D	03021GAY	HUAWEI TECH CO.,LTD.

22.RF INPUT OUPUT PORTS 2

For QTR8615 CDC_ANA_DIG Control

For QTR8615 BB_INTERFACE Control



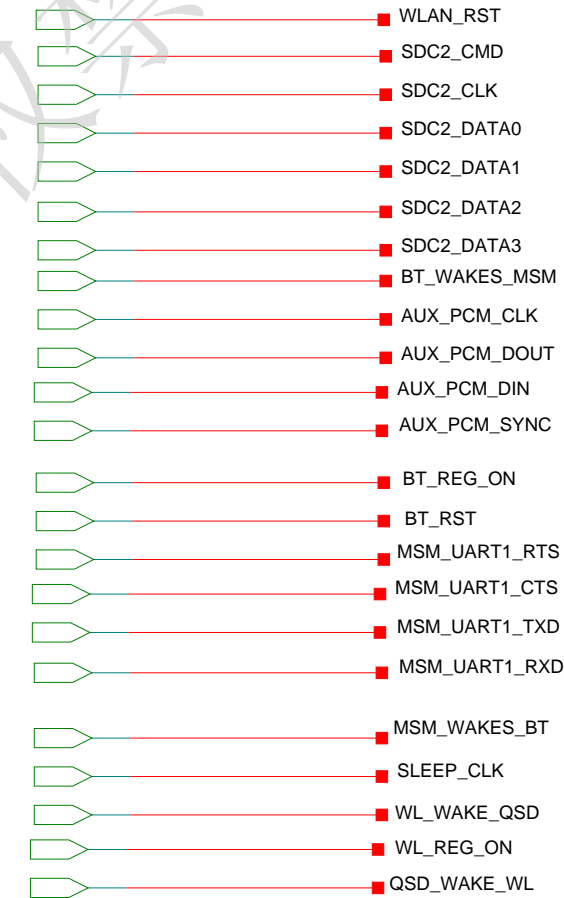
XO Routing and Control Line



GPS Control Line



For WIFI/BT Control Line



The type and specification of the components refer to the BOM

				NA	2011-8-13
				ECA NO	DATE
DESIGNED	YANGWENTAO 00181297			HIDS7PMA5	
REVIEWED	ZHENHAITAO			00658623	
		VER	PART_NUMBER	SHEET 22 OF 40	
		D	03021GAY	HUAWEI TECH CO.,LTD.	

23.RF PART XO ROUTING AND CONTROL OPTIONS

A

B

C

D

PMIC ANALOG XO BUFER (A0)

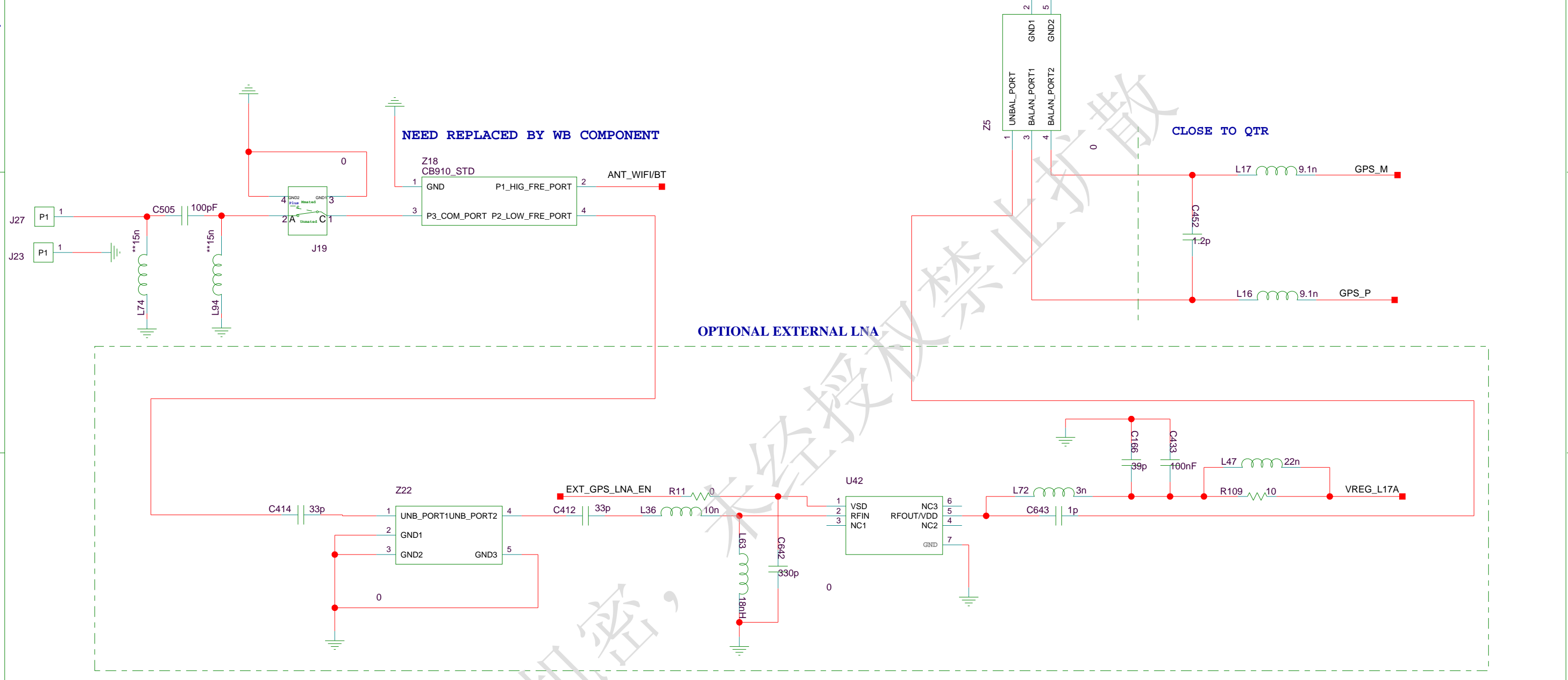


华为机密，未经授权禁止扩散

The type and specification of the components refer to the BOM

				NA	2011-8-13
				ECA NO	DATE
DESIGNED	YANGWENTAO 00181297		HIDS7PMA5		00658623
REVIEWED	ZHENHAITAO				
		VER	PART_NUMBER	SHEET 23 OF 40	
		D	03021GAY	HUAWEI TECH CO.,LTD.	

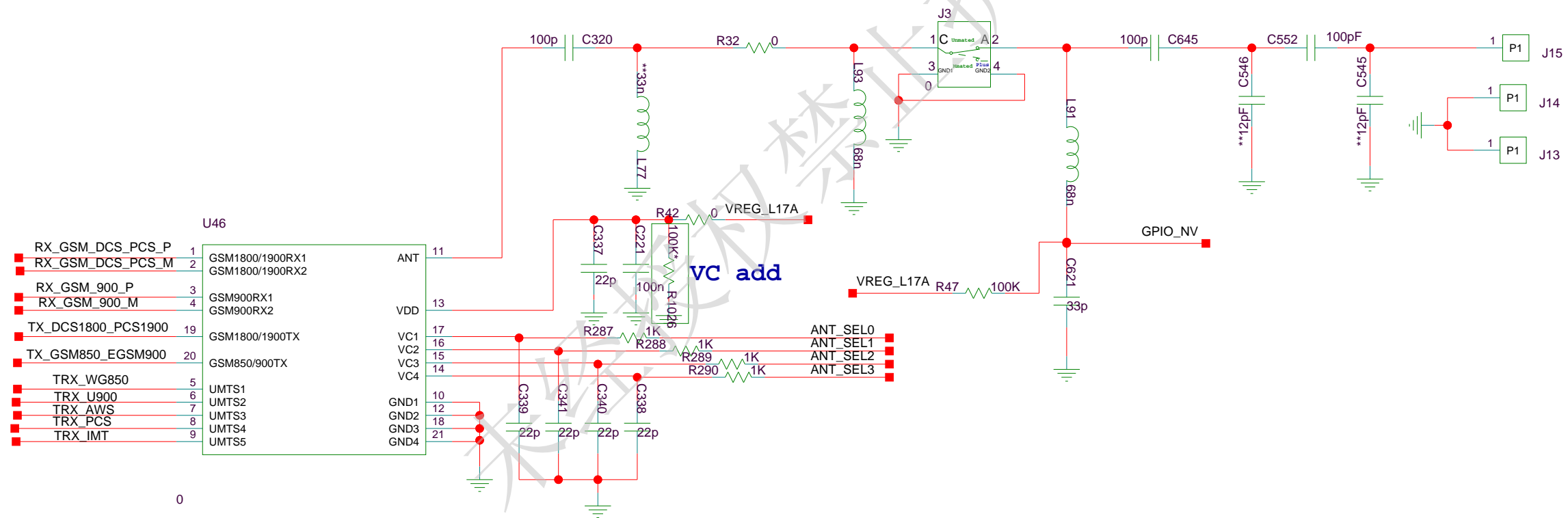
24. GPS FRONT END CIRCUIT



The type and specification of the components refer to the BOM

				NA	2011-8-13
				ECA NO	DATE
DESIGNED	YANGWENTAO 00181297	HIDS7PMA5		00658623	
REVIEWED	ZHENHAITAO	VER	PART_NUMBER	SHEET 24 OF 40	
		D	03021GAY	HUAWAI TECH CO.,LTD.	

25.SP10T SWITCHPLEXER

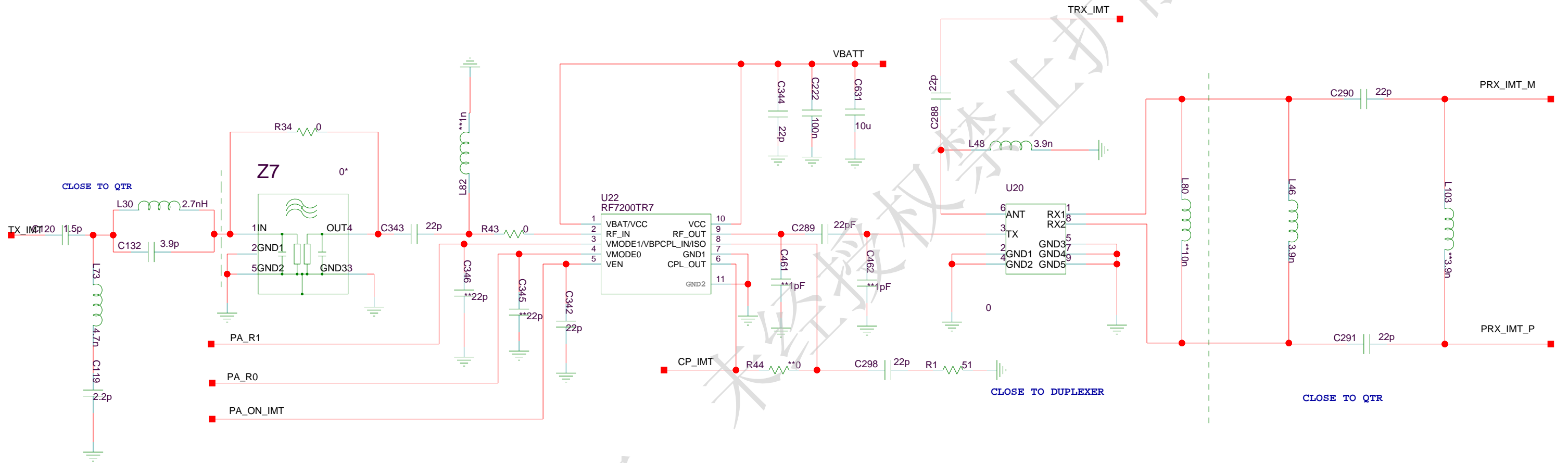


PRIMARY SWITCH (SP10T) LOGIC				
MODE	ANT_SEL0	ANT_SEL1	ANT_SEL2	ANT_SEL3
TX GSM850/GSM900	1	1	1	1
TX GSM1800/GSM1900	1	0	1	1
RX GSM900	1	0	0	0
RX GSM1800	0	0	1	0
RX GSM1900	0	1	1	0
TRX W850/G850	0	1	0	0
TRX PCS	1	0	1	0
TRX 900	1	1	0	0
TRX AWS	1	1	1	0
TRX IMT	1	0	0	1

The type and specification of the components refer to the BOM

				NA	2011-8-13
				ECA NO	DATE
DESIGNED	YANGWENTAO 00181297			HIDS7PMA5	
REVIEWED	ZHENHAITAO			00658623	
	VER	PART_NUMBER	SHEET 25 OF 40		
	D	03021GAY	HUAWEI TECH CO.,LTD.		

26. UMTS BAND1/IMT TX CHAIN

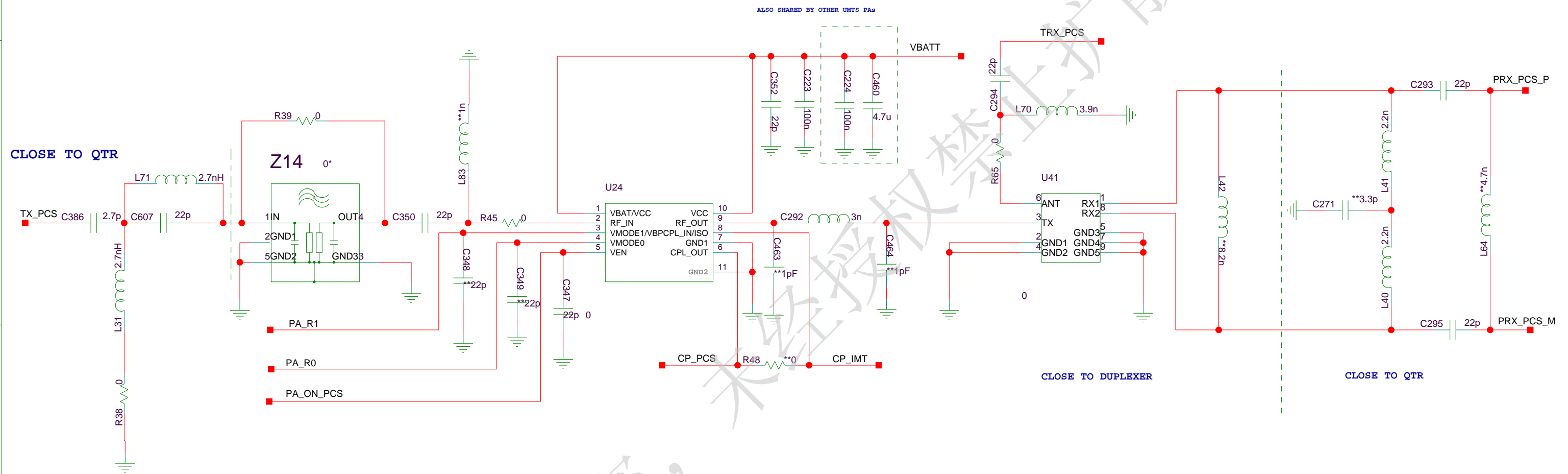


POWER MODE	PA_R0	PA_R1	PA.STATE	PA_ON_0
LOW POWER	H	H	OFF	L
MEDIUM POWER	L	H	ON	H
HIGH POWER	L	L		

The type and specification of the components refer to the BOM

DESIGNED	YANGWENTAO 00181297	HIDS7PMA5	00658623
REVIEWED	ZHENHAITAO	VER	PART_NUMBER
		D	03021GAY
			SHEET 26 OF 40
			HUAWEI TECH CO.,LTD.

27.UMTS BAND2/PCS TX CHAIN

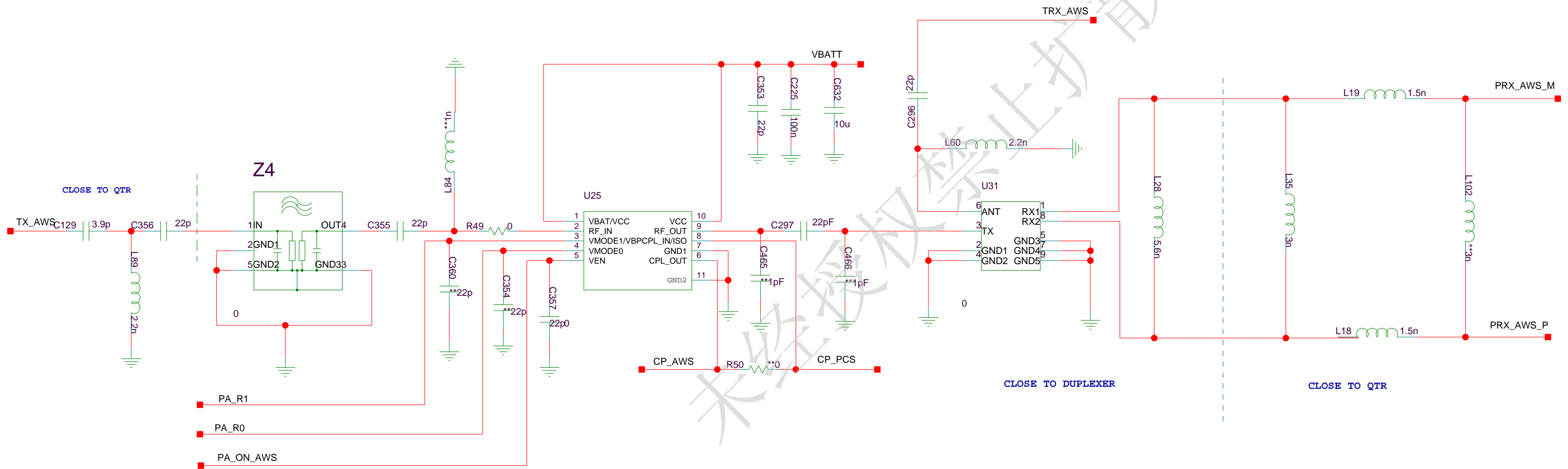


POWER MODE	PA_R0	PA_R1	PA.STATE	PA_ON_0
LOW POWER	H	H	OFF	L
MEDIUM POWER	L	H	ON	H
HIGH POWER	L	L		

The type and specification of the components refer to the BOM

				NA	2011-8-13
				ECA NO	DATE
DESIGNED	YANGWENTAO 00181297			HIDS7PMA5	
REVIEWED	ZHENHAITAO			00658623	
	VER	PART_NUMBER	SHEET 27 OF 40		
	D	03021GAY	HUAWEI TECH CO.,LTD.		

28.UMTS BAND4/AWS TX CHAIN

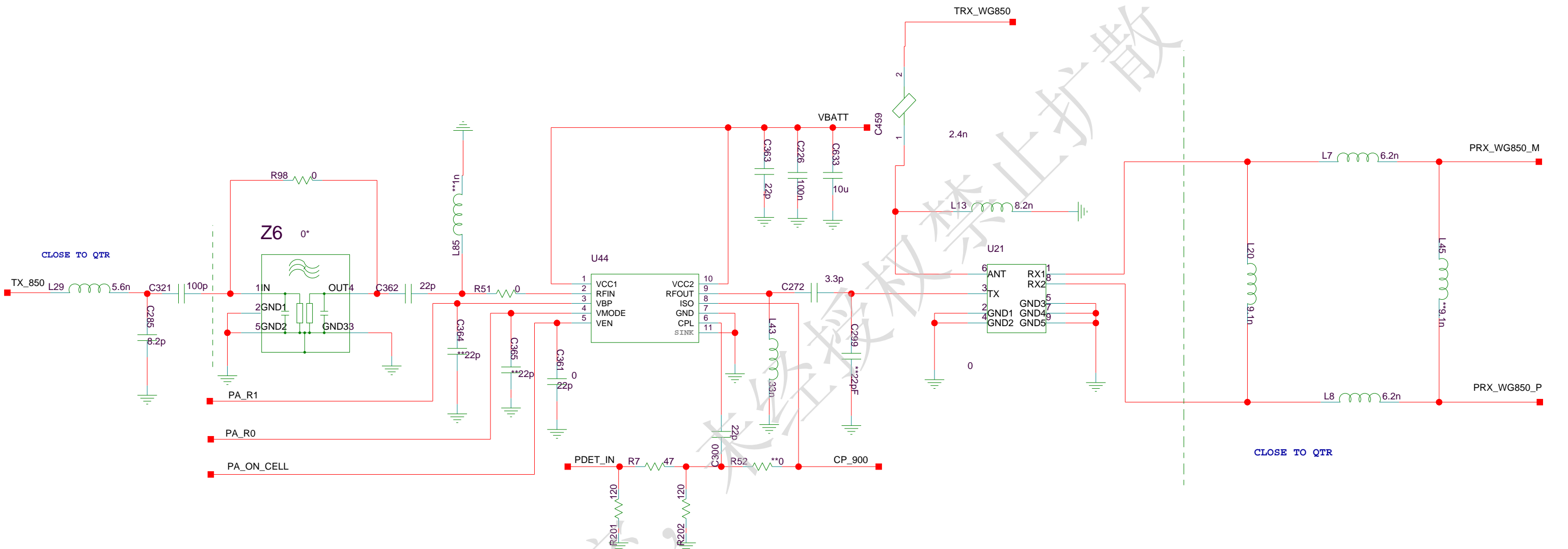


POWER MODE	PA_R0	PA_R1	PA.STATE	PA_ON_0
LOW POWER	H	H	OFF	L
MEDIUM POWER	L	H	ON	H
HIGH POWER	L	L		

The type and specification of the components refer to the BOM

DESIGNED	YANGWENTAO 00181297	HIDS7PMA5		00658623
REVIEWED	ZHENHAITAO	VER	PART_NUMBER	SHEET 28 OF 40
		D	03021GAY	HUAWEI TECH CO.,LTD.
				NA 2011-8-13
				ECA NO DATE

29.UMTS BAND5/CELL TX CHAIN

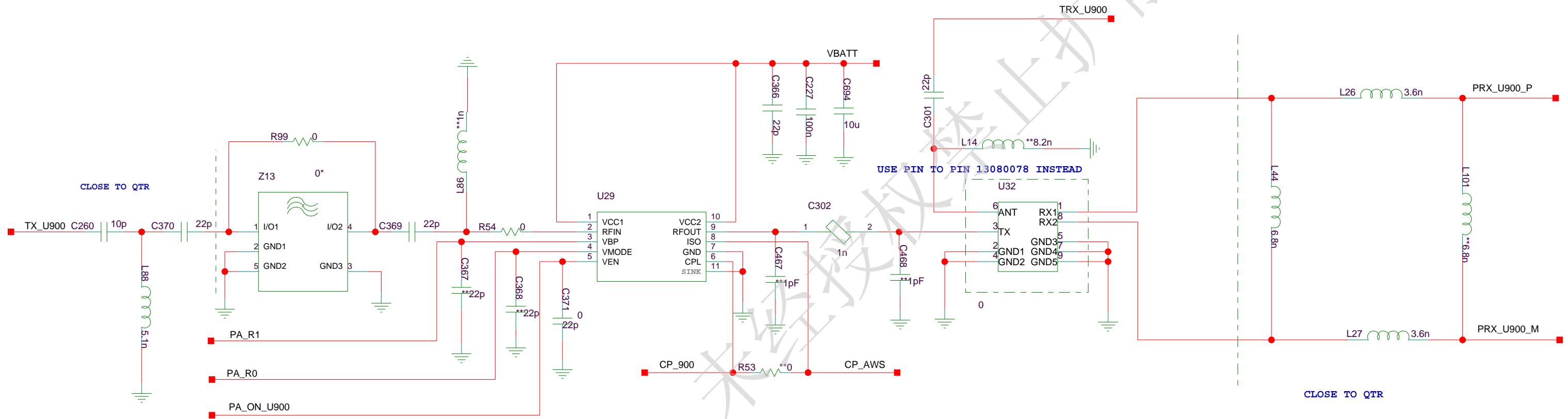


POWER MODE	PA_R0	PA_R1	PA.STATE	PA_ON_0
LOW POWER	H	H	OFF	L
MEDIUM POWER	L	H	ON	H
HIGH POWER	L	L		

The type and specification of the components refer to the BOM

DESIGNED	YANGWENTAO 00181297			NA	2011-8-13
REVIEWED	ZHENHAITAO			ECA NO	DATE
		HIDS7PMA5		00658623	
		VER	PART_NUMBER	SHEET 29 OF 40	
		D	03021GAY	HUAWEI TECH CO.,LTD.	

30.UMTS BAND8/U900 TX CHAIN

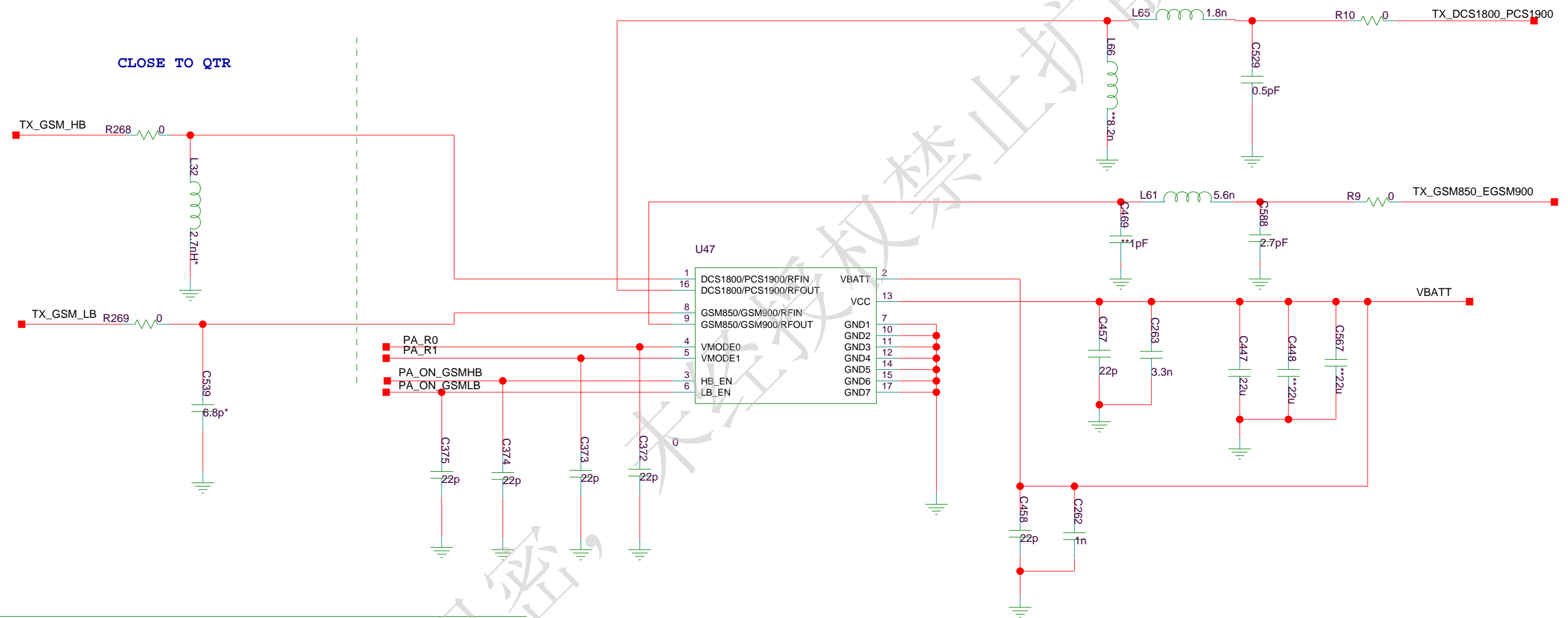


POWER MODE	PA_R0	PA_R1	PA.STATE	PA_ON_0
LOW POWER	H	H	OFF	L
MEDIUM POWER	L	H	ON	H
HIGH POWER	L	L		

The type and specification of the components refer to the BOM

DESIGNED	YANGWENTAO 00181297	HIDS7PMA5	00658623
REVIEWED	ZHENHAITAO	VER	PART_NUMBER
		D	03021GAY
			SHEET 30 OF 40
			HUAWEI TECH CO.,LTD.

31.GSM QUAD BAND LINEAR PA



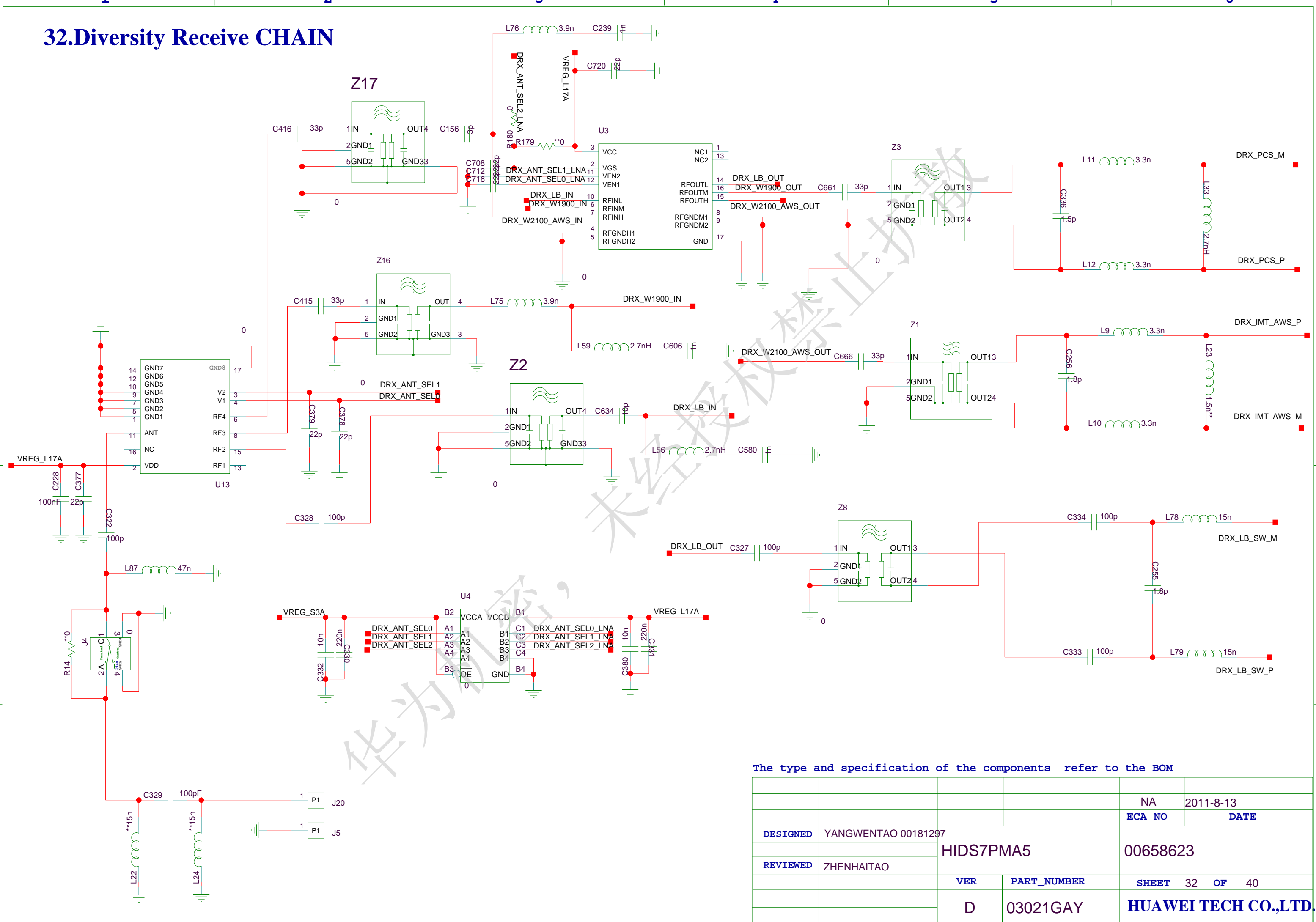
CLOSE TO QTR

Power Mode	LB_EN	HB_EN	PA_R0	PA_R1
Power Down	0	0	X	X
LB HPM	1	0	0	0
LB MPM	1	0	0	1
LB LPM	1	0	1	0
LB ULPM	1	0	1	1
HB HPM	0	1	0	0
HB LPM	0	1	1	0
HB ULPM	0	1	1	1

The type and specification of the components refer to the BOM

DESIGNED	YANGWENTAO 00181297	HIDS7PMA5	00658623
REVIEWED	ZHENHAITAO	VER	PART_NUMBER
		D	03021GAY
			SHEET 31 OF 40
			HUAWEI TECH CO.,LTD.

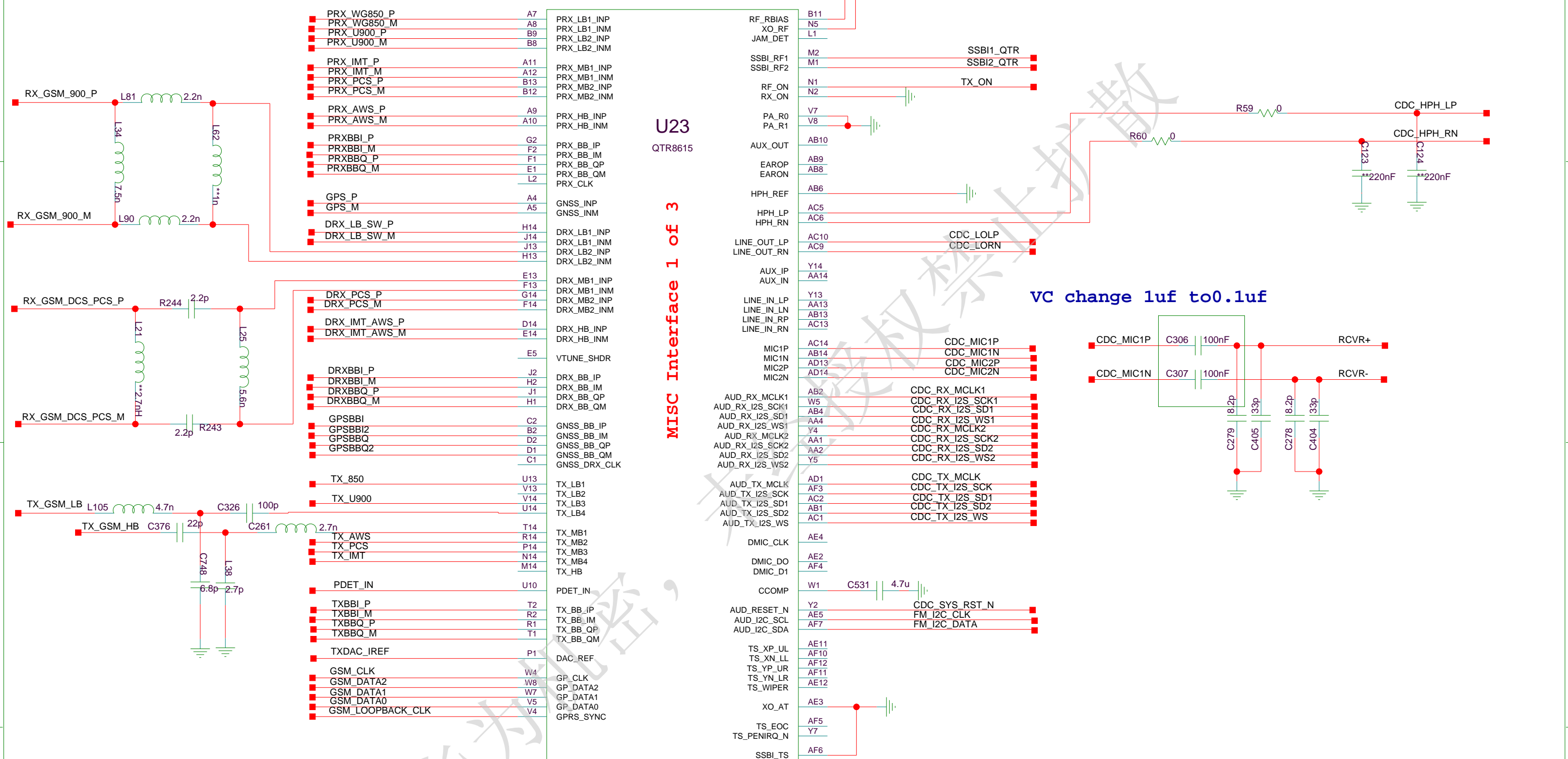
32.Diversity Receive CHAIN



The type and specification of the components refer to the BOM

DESIGNED	YANGWENTAO 00181297	HIDS7PMA5	00658623
REVIEWED	ZHENHAITAO	VER	PART_NUMBER
		D	03021GAY
			SHEET 32 OF 40
			HUAWEI TECH CO.,LTD.

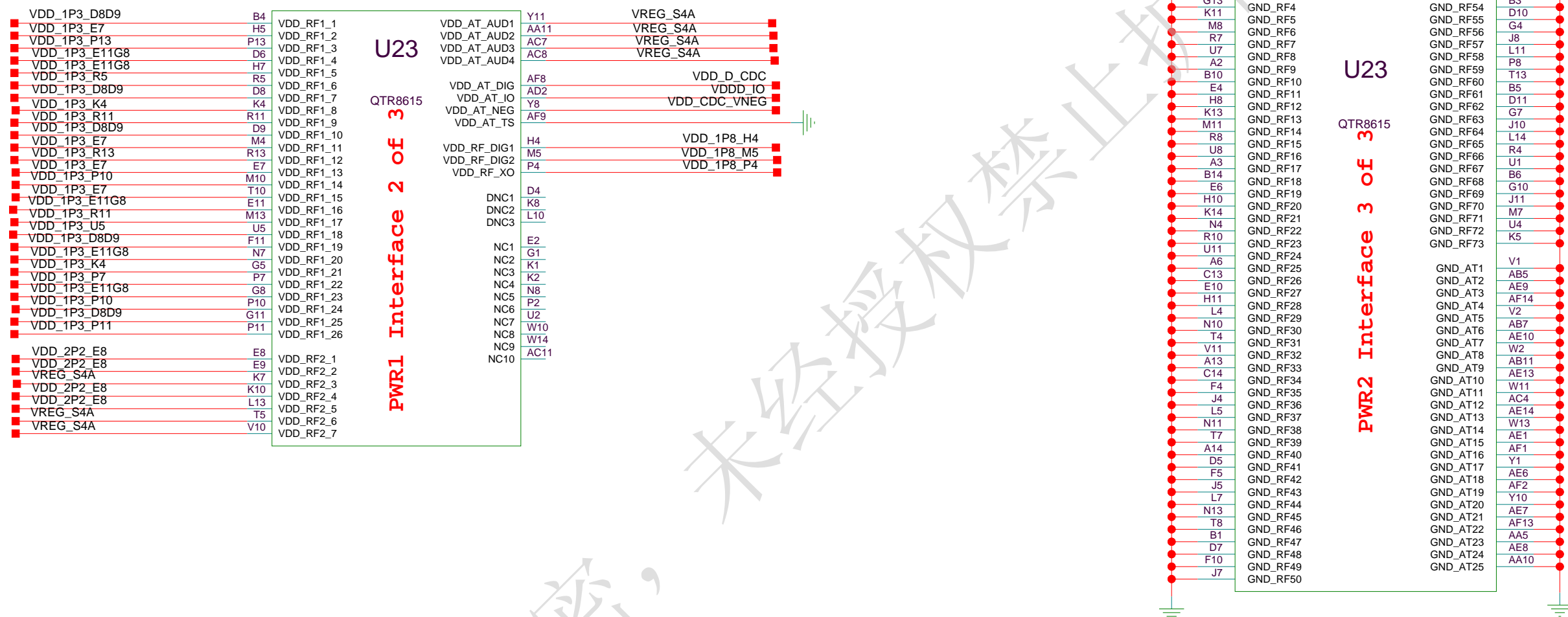
33.QTR8615



The type and specification of the components refer to the BOM

DESIGNED	YANGWENTAO 00181297	HIDS7PMA5	00658623
REVIEWED	ZHENHAITAO	VER D	PART_NUMBER 03021GAY
		SHEET 33 OF 40	DATE 2011-8-13
		HUAWEI TECH CO.,LTD.	

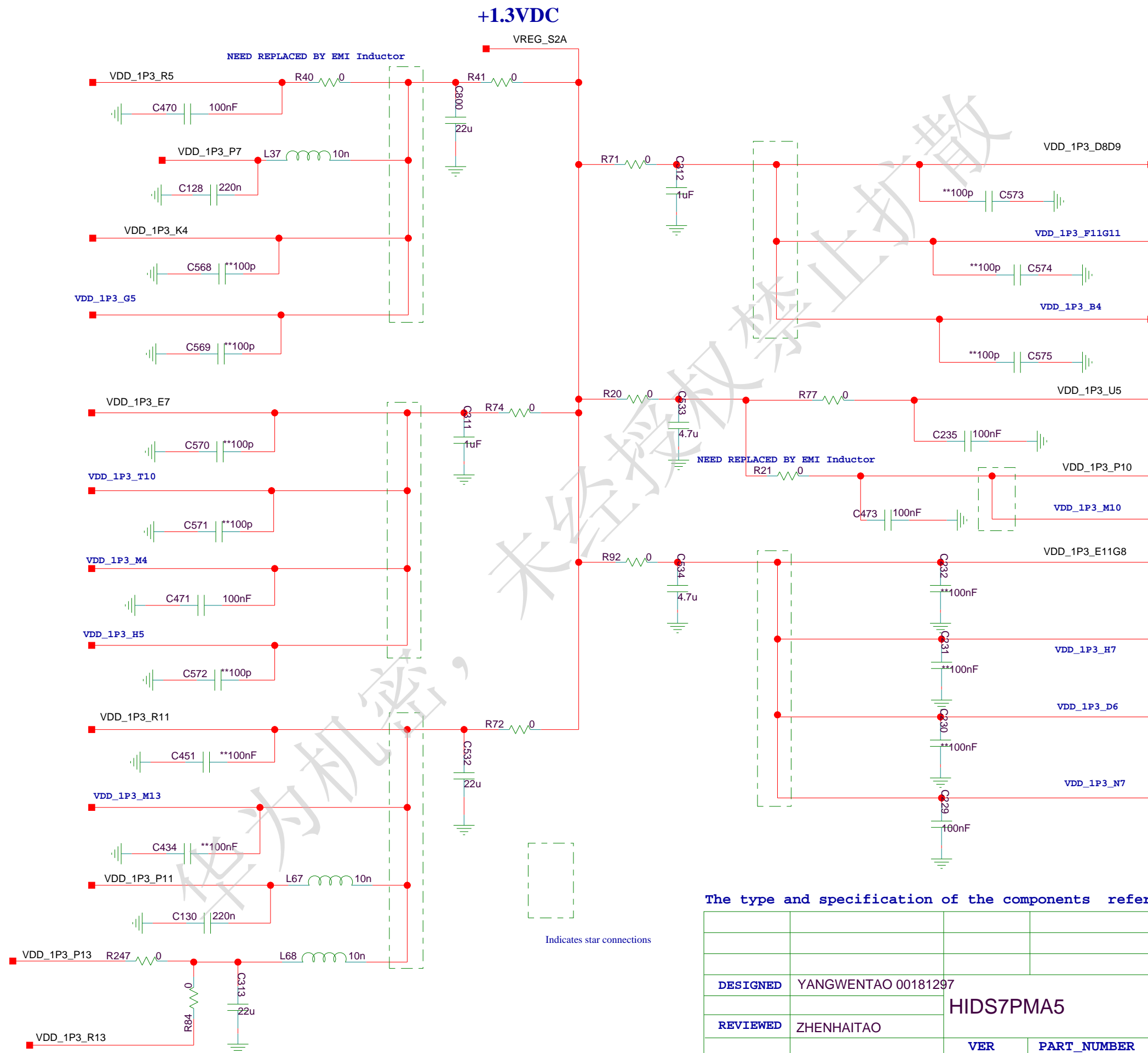
34.QTR8615 POWER AND GND



The type and specification of the components refer to the BOM

				NA	2011-8-13
				ECA NO	DATE
DESIGNED	YANGWENTAO 00181297	HIDS7PMA5		00658623	
REVIEWED	ZHENHAITAO	VER	PART_NUMBER	SHEET 34 OF 40	
		D	03021GAY	HUAWEI TECH CO.,LTD.	

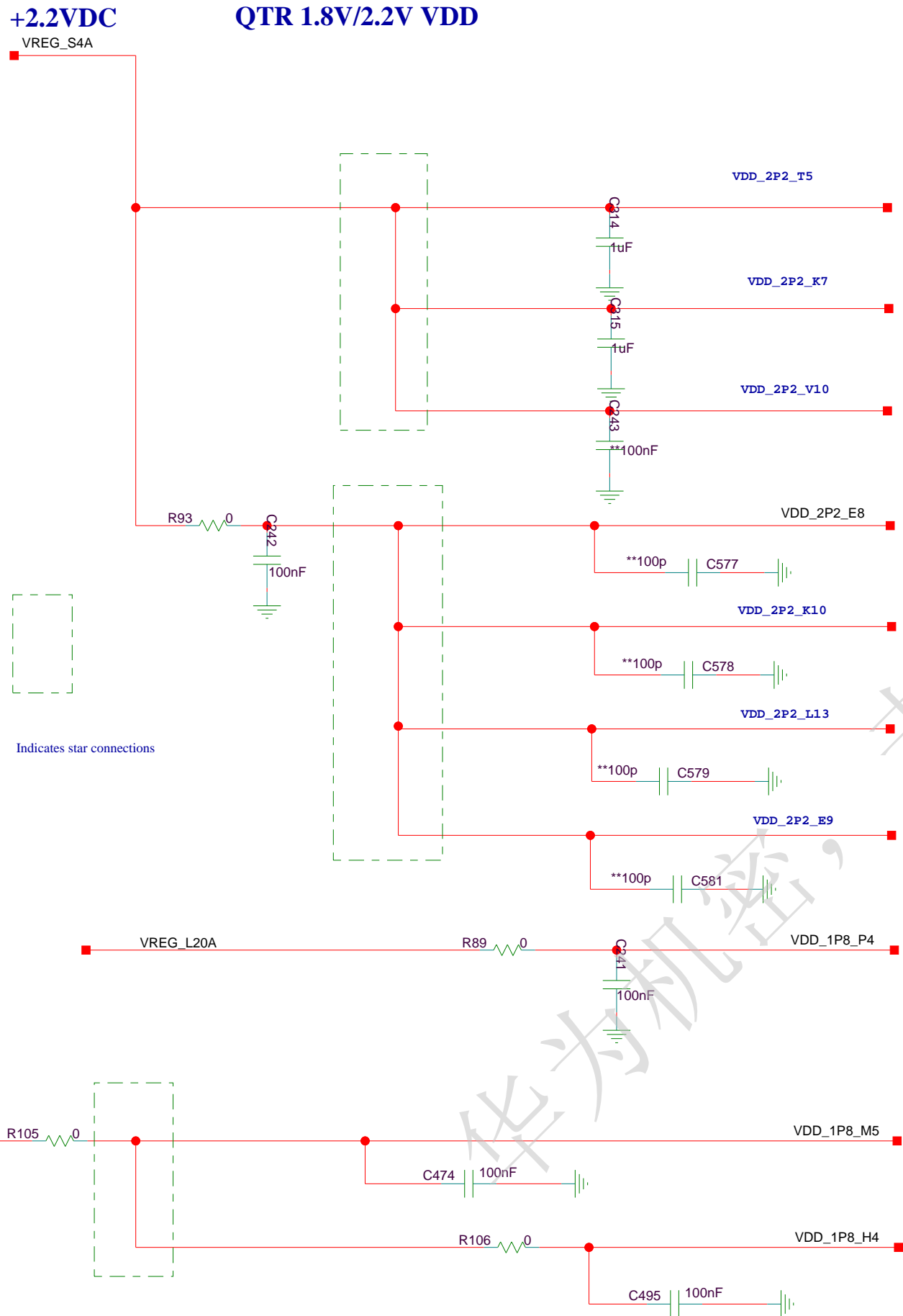
35.QTR8615 POWER DISTRIBUTION -1



The type and specification of the components refer to the BOM

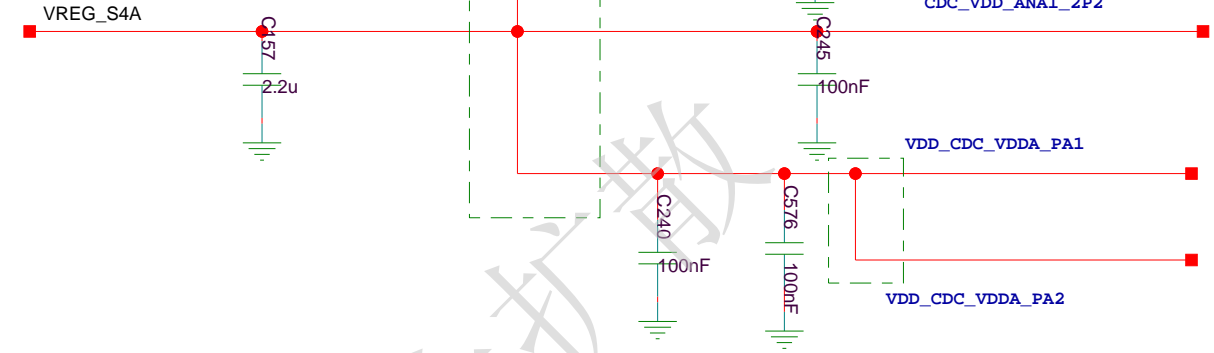
				NA	2011-8-13
				ECA NO	DATE
DESIGNED	YANGWENTAO 00181297			HIDS7PMA5	
REVIEWED	ZHENHAITAO			00658623	
	VER	PART_NUMBER	SHEET 35 OF 40		
	D	03021GAY	HUAWEI TECH CO.,LTD.		

36.QTR8615 POWER DISTRIBUTION -2

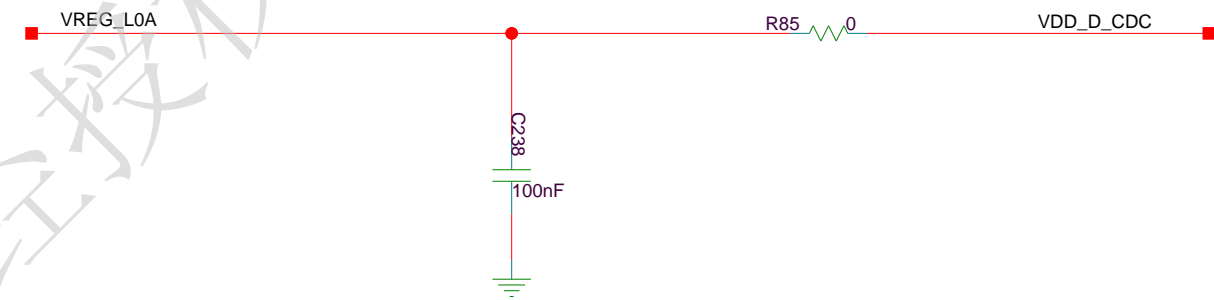


QTR CODEC & TOUCH SCREEN VDD

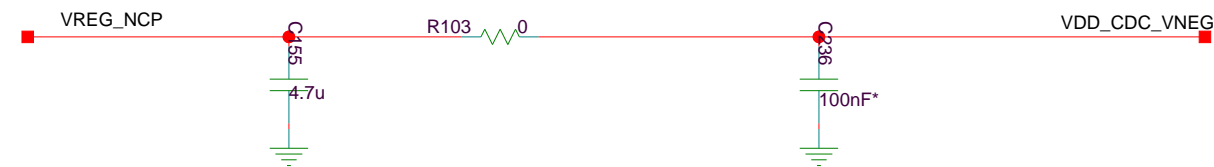
2.2V CDC & PA



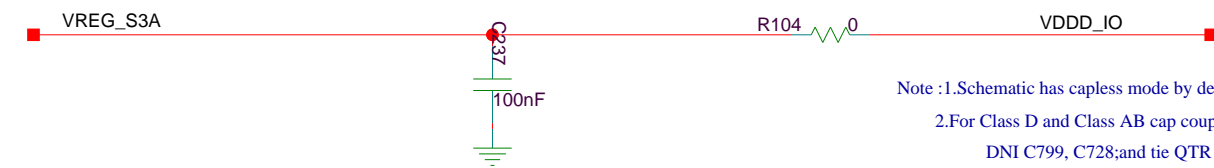
1.2V Digital



-1.8V CDC



1.8V Digital



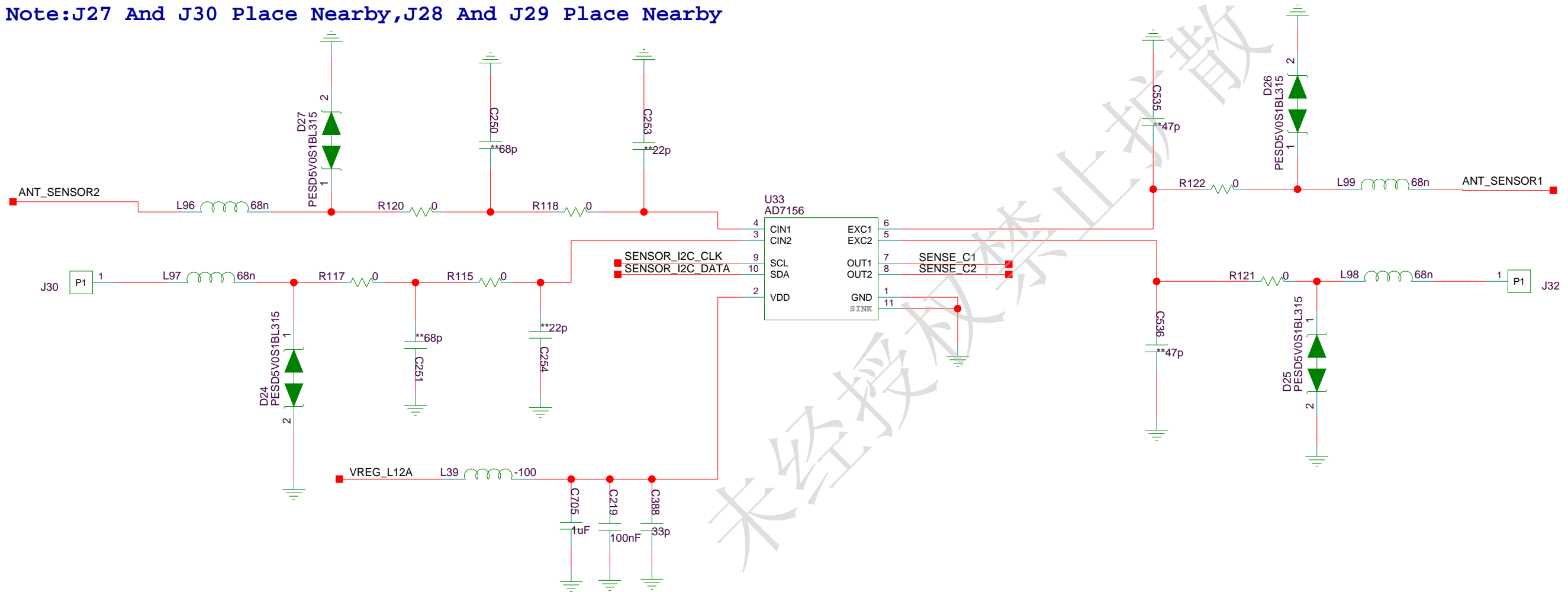
Note :1.Schematic has capless mode by default
 2.For Class D and Class AB cap coupled mode:
 DNI C799, C728;and tie QTR VDD_AT_NEG pin to ground directly.

The type and specification of the components refer to the BOM

DESIGNED	YANGWENTAO 00181297	HIDS7PMA5	00658623
REVIEWED	ZHENHAITAO	VER	PART_NUMBER
		D	03021GAY
			SHEET 36 OF 40
			HUAWEI TECH CO.,LTD.

37.CAPACITOR SENSOR

Note: J27 And J30 Place Nearby, J28 And J29 Place Nearby

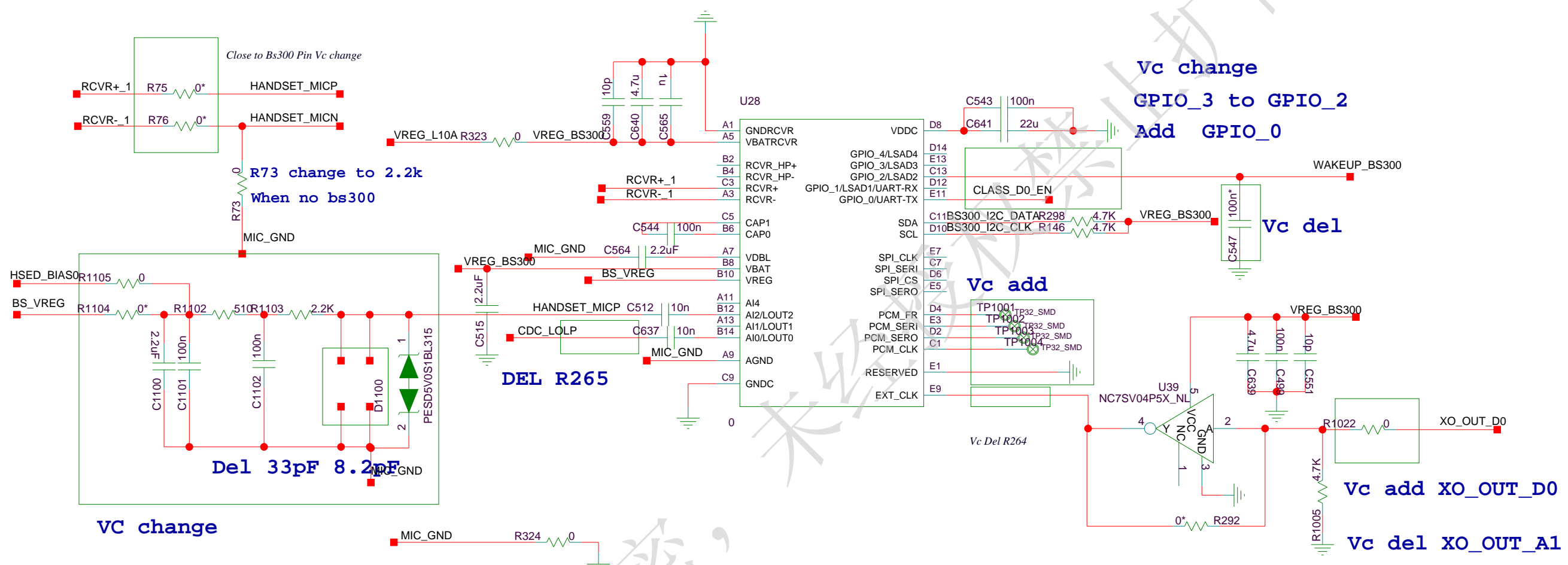
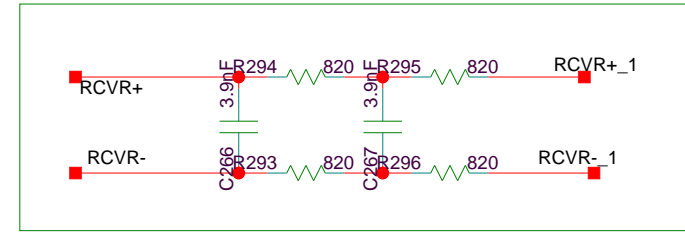


The type and specification of the components refer to the BOM

				NA	2011-8-13
				ECA NO	DATE
DESIGNED	YANGWENTAO 00181297	HIDS7PMA5		00658623	
REVIEWED	ZHENHAITAO	VER	PART_NUMBER	SHEET 37 OF 40	
		D	03021GAY	HUAWEI TECH CO.,LTD.	

38.MIC ENHANCE

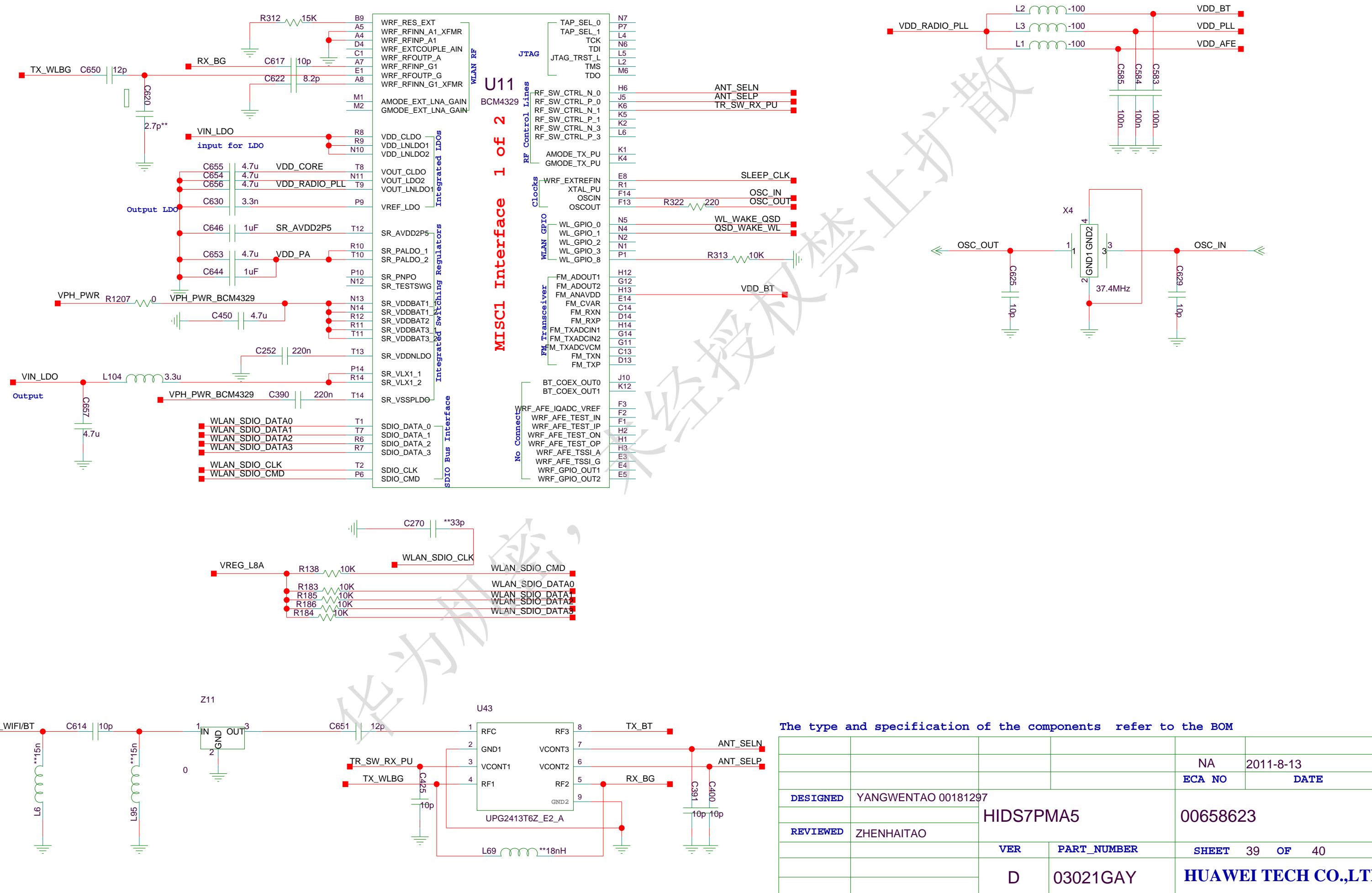
R change to 0 When no bs300 (C add *)
close to QTR8615 Vc change



The type and specification of the components refer to the BOM

				NA	2011-8-13
				ECA NO	DATE
DESIGNED	YANGWENTAO 00181297	HIDS7PMA5		00658623	
REVIEWED	ZHENHAITAO	VER	PART_NUMBER	SHEET 38 OF 40	
		D	03021GAY	HUAWEI TECH CO.,LTD.	

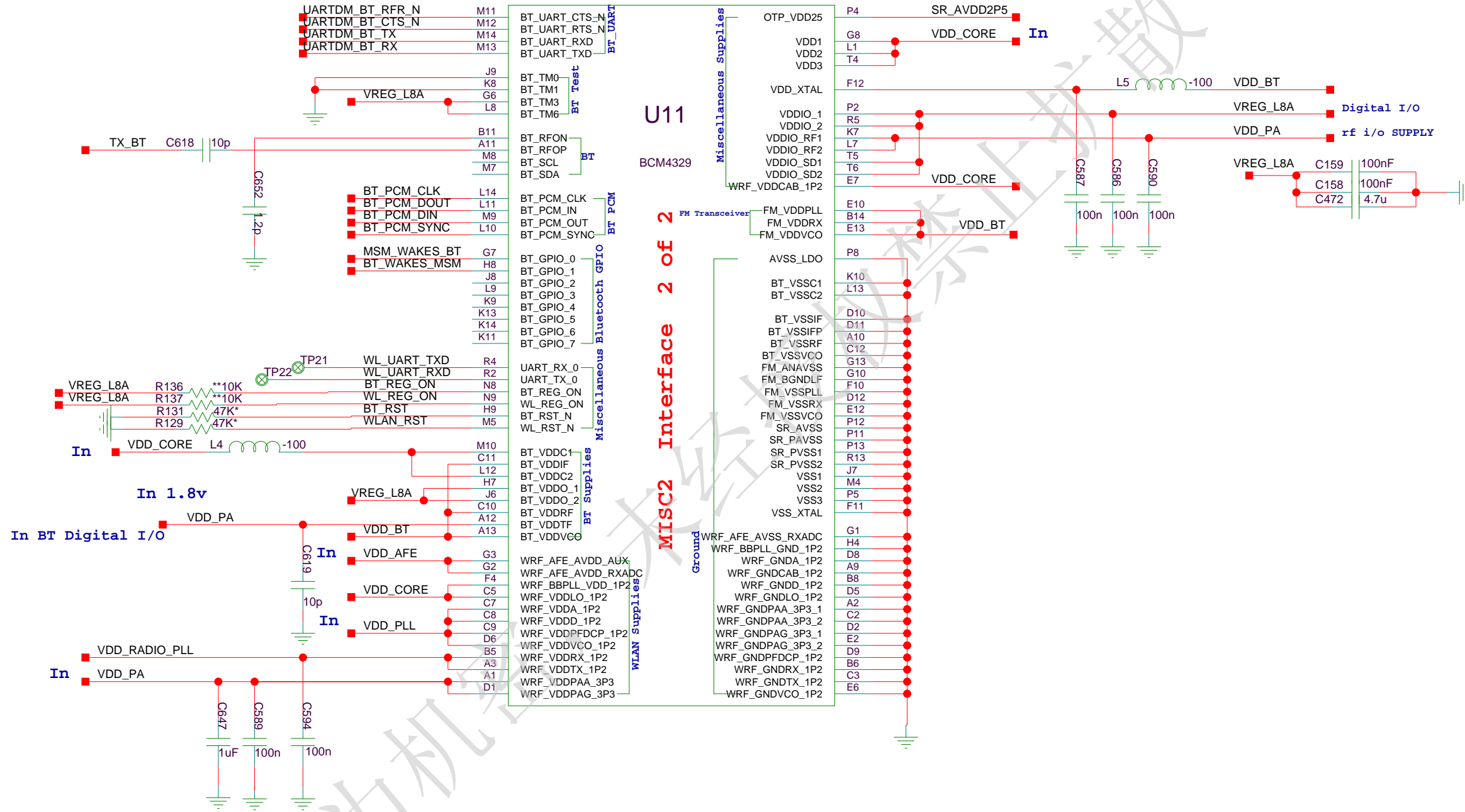
39.WLAN & BT & FM interface



The type and specification of the components refer to the BOM

DESIGNED	YANGWENTAO 00181297	HIDS7PMA5	00658623
REVIEWED	ZHENHAI TAO		
VER	D	PART_NUMBER	03021GAY
		SHEET	39 OF 40
		HUAWEI TECH CO.,LTD.	

40.WLAN & BT & FM POWER and GND



The type and specification of the components refer to the BOM

				NA	2011-8-13
				ECA NO	DATE
DESIGNED	YANGWENTAO 00181297		HIDS7PMA5		00658623
REVIEWED	ZHENHAITAO		VER	PART_NUMBER	SHEET 40 OF 40
			D	03021GAY	HUAWEI TECH CO.,LTD.