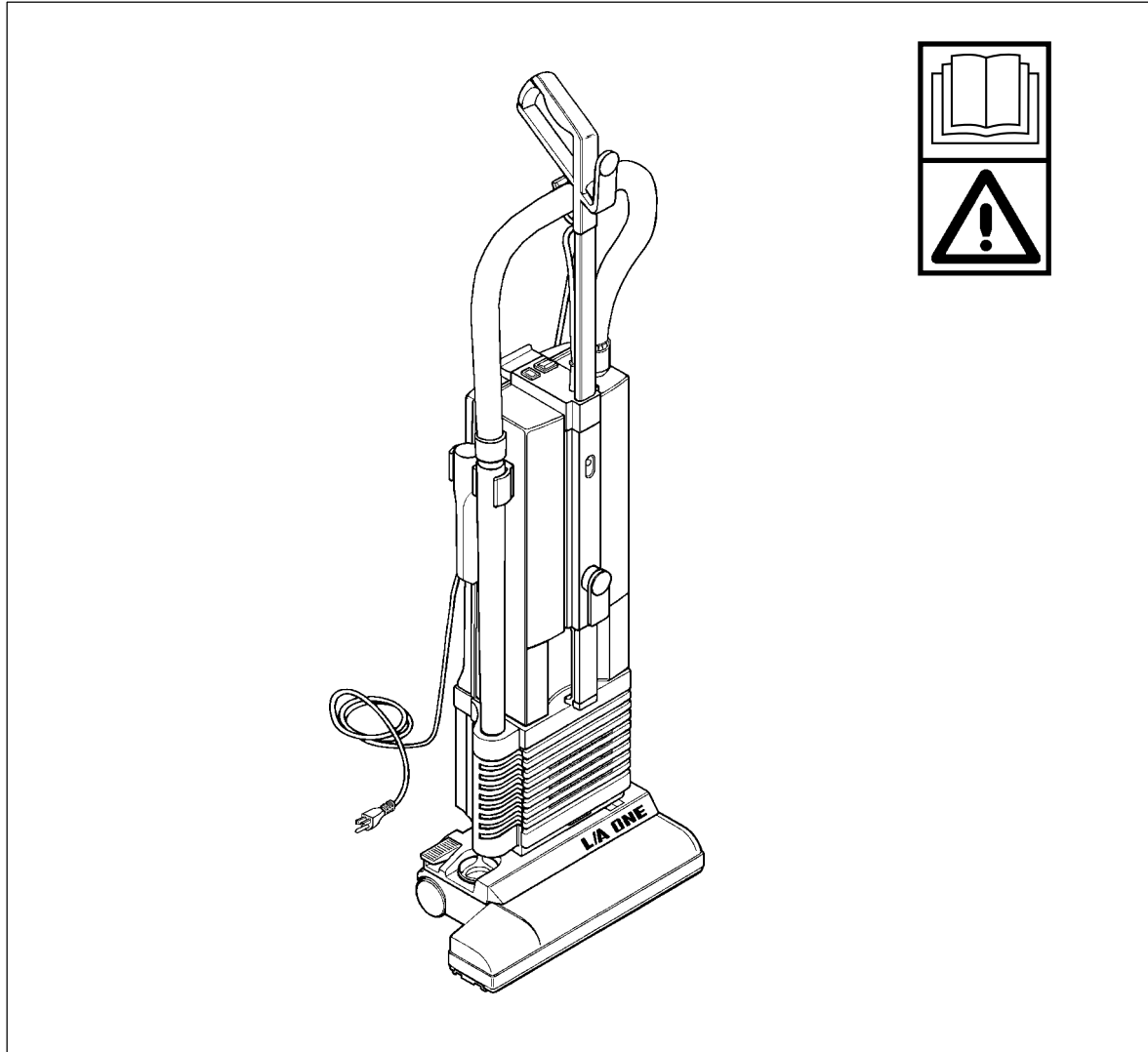


# L/A One™



## **OPERATOR MANUAL AND PARTS LIST**

**Advance MODELS 56703900 (120V), 56703901**

**(220V), 56703902 (220-240V), 56703903 (220-240V)**

**All models covered in this manual are OBSOLETE.**



**Advance**  
*by Nilfisk-Advance*

revised 11/02 Form Number 56041259

# TABLE OF CONTENTS

	Page
Introduction .....	3
Parts and Service .....	3
Nameplate .....	3
Uncrating the Machine .....	3
Important Safety Instructions .....	4
Consignes de sécurité .....	5
Grounding Instructions .....	6
Know Your Machine .....	7
Set-Up and Assembly .....	8
Operating the Machine .....	9
Using the Wand .....	9
After Using the Machine .....	9
Maintenance .....	10-11
Changing the Paper Filter Bag .....	10
Cleaning the Vacuum Inlet Filter .....	10
Cleaning the Electrostat Exhaust Filter .....	11
Changing the Brush .....	11
Replacing the Belt .....	11
Bag Housing Parts List .....	13
Brush Housing Parts List .....	15

## INTRODUCTION

This manual will help you get the most from your **Nilfisk-Advance L/A One™**. Read it thoroughly before operating the machine.

**Note: Bold numbers in parentheses indicate an item illustrated on page 7-8.**

This product is intended for commercial use only.

## PARTS AND SERVICE

Repairs, when required, should be performed by your Authorized Nilfisk-Advance Service Center, who employs factory trained service personnel, and maintains an inventory of Nilfisk-Advance original replacement parts and accessories.

Call the NILFISK-ADVANCE DEALER named below for repair parts or service. Please specify the Model and Serial Number when discussing your machine.

(Dealer, affix service sticker here.)

## NAMEPLATE

The Model and Serial Number of your machine are shown on the Nameplate on the back of the machine. This information is needed when ordering repair parts for the machine. Use the space below to note the Model and Serial Number of your machine for future reference.

MODEL \_\_\_\_\_

SERIAL NUMBER \_\_\_\_\_

## UNCRATING THE MACHINE

When the machine is delivered, carefully inspect the shipping carton and the machine for damage. If damage is evident, save the shipping carton so it can be inspected by the trucking company that delivered it. Contact the trucking company **immediately** to file a freight damage claim.

## ETL IS AN ALTERNATIVE TO UL

ETL Testing Laboratories, Inc. is recognized throughout the United States as an alternative to Underwriters Laboratories. The ETL safety label is accepted as being equal to that of Underwriters Laboratories when denoting compliance with nationally recognized Underwriters Laboratories (UL), American National Standards Institute (ANSI) standards in a labeling, listing and follow-up program.

## IMPORTANT SAFETY INSTRUCTIONS

When using an electrical appliance, basic precautions should always be followed, including the following:  
Read all instructions before using.

This machine is also suitable for commercial use, for example in hotels, schools, hospitals, factories, shops and offices other than normal residential housekeeping purposes.

**THIS APPLIANCE IS INTENDED FOR DRY USE ONLY!**

**DO NOT USE FOR WET FLOOR OR CARPET!**

### **WARNING!**

To reduce the risk of fire, electric shock, or injury:

- Do not leave the appliance when it is plugged in. Unplug the unit from the outlet when not in use and before servicing.

### **WARNING!**

To reduce the risk of electric shock, do not use outdoors or on wet surfaces.

- Do not allow to be used as a toy. Close attention is necessary when used by or near children.
- Use only as described in this manual. Use only the manufacturer's recommended attachments.
- Do not use with damaged cord or plug. If the appliance is not working as it should be, has been dropped, damaged, left outdoors or dropped into water, return it to a service center.
- Do not pull or carry by the cord, use the cord as a handle, close a door on the cord, or pull the cord around sharp edges or corners. Do not run the appliance over the cord. Keep the cord away from heated surfaces.
- Do not unplug by pulling on the cord. To unplug, grasp the plug, not the cord.
- Do not handle the plug, cord or appliance with wet hands.
- Do not put any object into openings. Do not use with any opening blocked; keep free of dust, lint, hair, and anything that may reduce air flow.
- Keep loose clothing, hair, fingers, and all parts of body away from openings and moving parts.
- Do not pick up anything that is burning or smoking, such as cigarettes, matches, or hot ashes, or any health endangering dusts.
- Do not use without dust bag and/or filters in place.
- Turn off all controls before unplugging.
- Avoid vacuuming hard or sharp objects.
- Use extra care when cleaning on stairs.
- Do not use to pick up flammable or combustible liquids such as gasoline or use in areas where they may be present.
- Connect to a properly grounded outlet only. See Grounding Instructions.

**SAVE THESE INSTRUCTIONS**

# CONSIGNES DE SÉCURITÉ

Lire ce mode d'emploi en entier avant de faire fonctionner la machine. CETTE MACHINE NE DOIT PAS ETRE UTILISEE POUR ASPIRER DES LIQUIDES. NE JAMAIS L'UTILISER SUR MOQUETTE OU SOL MOUILLES.

**ATTENTION:** Pour écarter les risques d'incendie, de choc électrique ou de dommages corporels, il est impératif de respecter les consignes suivantes:

**ATTENTION:** Ne jamais laisser la machine branchée. La débrancher après utilisation et avant d'entreprendre tout travail d'entretien.

**ATTENTION:** Pour écarter le risque de choc électrique ne pas utiliser la machine sur un sol ou une moquette humides.

- Cette machine n'est pas un jouet Il Faire particulièrement attention en cas d'utilisation à proximité d'enfants.
- Utiliser uniquement comme décrit dans ce mode d'emploi et utiliser uniquement les accessoires recommandés par le fabricant.
- Ne pas utiliser la machine si la prise ou le cordon d'alimentation est endommagé. Si elle ne fonctionne pas correctement, si elle a subi une chute, a été endommagée, a été laissée à l'extérieur ou si elle est tombée dans l'eau, la renvoyer immédiatement aux services de maintenance.
- Ne pas transporter la machine en tirant sur le cordon d'alimentation ni utiliser celui-ci en guise de poignée; veiller à ne pas coincer le cordon dans une porte et à ne pas le laisser frotter sur des angles aigus. Ne pas faire passer la machine sur le cordon. Tenir le cordon éloigné de toute surface chaude.
- Ne pas débrancher la machine en tirant sur le cordon mais uniquement en tirant sur la prise.
- Ne pas toucher la prise, le cordon ou la machine avec des mains mouillées.
- Ne rien introduire dans les ouvertures de la machine. Ne pas l'utiliser si celles-ci sont obstruées. Entreposer la machine à l'abri de la poussière, des peluches, des cheveux et tout ce qui serait susceptible à réduire la circulation d'air.
- Ne pas approcher les cheveux, les vêtements, les doigts etc des ouvertures et des parties mobiles de la machine.
- Ne pas aspirer d'objets enflammés ou incandescents, tels que des cigarettes, des allumettes ou des cendres chaudes. Ne jamais aspirer des poussières nocives.
- Ne pas utiliser la machine sans que le sac à poussière soit en place.
- Eteindre tous les interrupteurs avant de débrancher.
- Eviter d'aspirer des objets durs ou tranchants.
- Faire très attention sur les marches d'escalier.
- Ne pas aspirer de liquides inflammables ni utiliser la machine à proximité de tels produits.

**CONSERVER CES CONSIGNES DANS UN LIEU SUR**

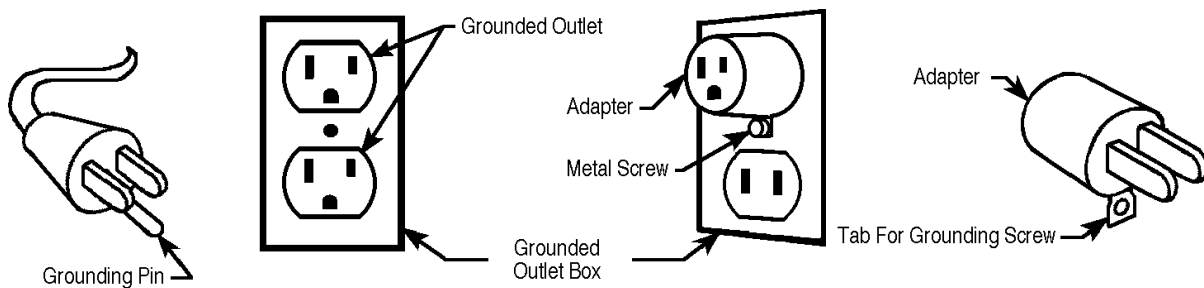
# GROUNDING INSTRUCTIONS (120 VOLTS) FOR MODEL 56703900

This appliance must be grounded. If it should electrically malfunction, grounding provides a path of least resistance for electric current to reduce the risk of electric shock. This appliance is equipped with a cord having an equipment-grounding conductor and grounding plug. The plug must be plugged into an appropriate outlet that is properly installed and grounded in accordance with all local codes and ordinances.

## **⚠ DANGER!**

Improper connection of the equipment-grounding conductor can result in a risk of electric shock. Check with a qualified electrician or service person if you are in doubt as to whether the outlet is properly grounded. Do not modify the plug provided with the appliance. If it will not fit the outlet, have a proper outlet installed by a qualified electrician.

This appliance is for use on a nominal 120-volt circuit, and has a grounding plug that looks like the plug illustrated in Figure 1 below. A temporary adapter illustrated in Figures 2 and 3 may be used to connect this plug to a 2-pole receptacle as shown in Figure 2 if a properly grounded outlet is not available. The temporary adapter should be used only until a properly grounded outlet (Figure 1) can be installed by a qualified electrician. The green-colored rigid ear, tab, or the like extending from the adapter must be connected to a permanent ground such as a properly grounded outlet box cover. Whenever the adapter is used, it must be held in place by a metal screw.



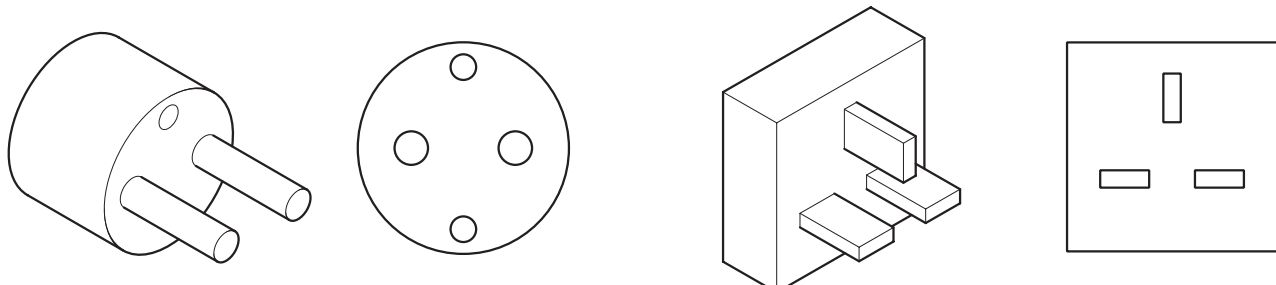
NORTH AMERICAN STYLE PLUG  
MODEL 56703900

**FIGURE 1**

**FIGURE 2**

**FIGURE 3**

Model 56703901, 56703902, and 56703903 are not grounded but are double insulated.



SCHUKO STYLE PLUG  
MODEL 56703901, 56703903

BRITISH STYLE PLUG  
MODEL 56703902

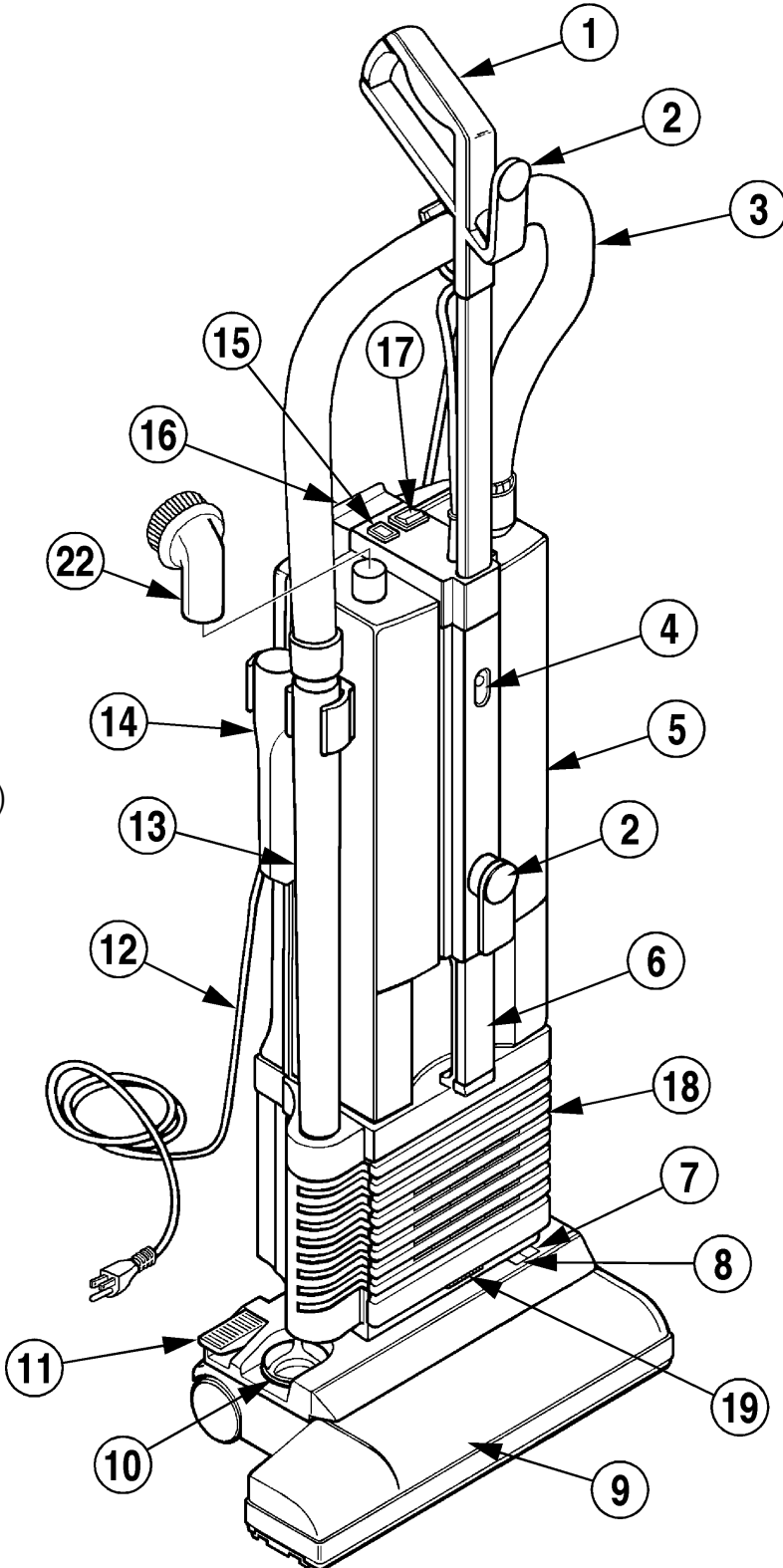
**FIGURE 4**

**FIGURE 5**

# KNOW YOUR MACHINE

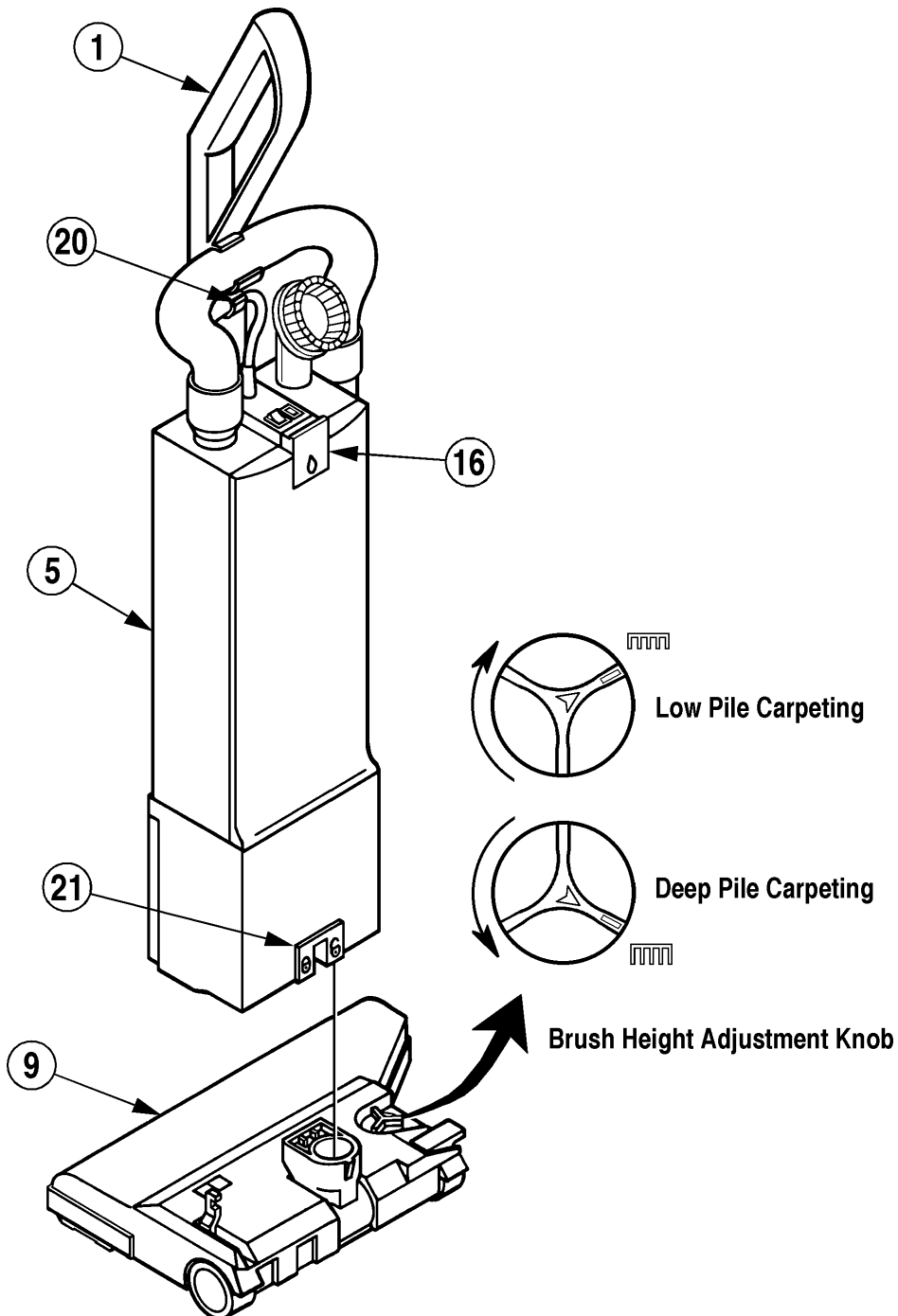
As you read this manual, you will occasionally run across a bold number in parentheses - example: **(2)**. These numbers refer to an item shown on this page. Refer back to this page whenever necessary, to pinpoint the location of an item mentioned in the text.

- 1 Handle
- 2 Cord Hook
- 3 Vacuum Hose
- 4 Handle Lock Button
- 5 Bag Housing
- 6 Carrying Handle
- 7 Red Light
- 8 Green Light
- 9 Brush Housing
- 10 Brush Height Adjustment Knob
- 11 Pedal
- 12 Power Cord
- 13 Wand
- 14 Crevice Tool
- 15 "Bag Full" Light
- 16 Bag Housing Latch
- 17 Main Power Switch
- 18 Exhaust Filter Cover
- 19 Filter Cover Latch
- 20 Power Cord Clamp (see page 8)
- 21 Locking Latch (see page 8)
- 22 Dusting Brush



## SET UP AND ASSEMBLY

- 1 Carefully remove the machine from its carton.
- 2 Push the Handle (1) into the opening at the top of the Bag Housing (5) until secure.
- 3 Install the Bag Housing (5) on the Brush Housing (9). Slide the Locking Latch (21) to the left.
- 4 Measure 8 inches (20 cm) of power cable from where it comes out of the machine. Insert the cable at this point into the Power Cord Clamp (20). Snap the Vacuum Hose (3) into the clamps just above the Power Cord Clamp.
- 5 To install a Paper Filter Bag, push the Bag Housing Latch (16) and remove the back cover. Then follow the instructions printed on the Paper Filter Bag. **Never** operate the machine without a Filter Bag in place.





## OPERATING THE MACHINE

1 To release the Power Cord (12) from the Cord Hooks (2), press the Handle Lock Button (4) in while pushing down on the Handle (1) or turn the lower cord hook (2) and pull the power cord off the hooks. Plug the Power Cord into an electrical outlet.

2 Turn the Main Power Switch (17) ON. "I" is ON and "O" is OFF.

3 Step on the Pedal (11) and tilt the handle back. The Green Light (8) on the base will come on to indicate that the brush motor is running.

**IMPORTANT!** Foot pedal must be used to release base to operating position. Failure to do so could result in damage to the handle release mechanism.



4 Turn the Height Adjustment Knob (10) to adjust the height of the brush. If the Red Light (7) comes on, slowly turn the Knob in the opposite direction until the light goes off.

If the red light stays on continuously, there may be debris wrapped around the brush. This can cause the overload protector for the brush motor to trip. If this occurs, turn the Main Switch OFF and unplug the power cord. Remove any debris from the brush and turn the Main Switch back ON. This will automatically reset the overload protector. The machine can also be reset by locking the handle in the upright position. Remove any debris from the brush and repeat Step 3. If the overload protector trips repeatedly, or if the red light stays on continuously, contact your local Nilfisk-Advance Dealer for service.

5 Change the bag whenever the "Bag Full" Light (15) comes on.

If the light comes on before the bag is full, the inside of the bag may be coated with very fine dust (change the bag), or debris may be built up somewhere between the brush and the bag.

## USING THE WAND

To use the Wand (13), put the Handle in the upright locked position. The brush motor will stop automatically. Slide the Wand out of its holder. Install the Crevice Tool (14) or Dusting Brush (22) on the end of the Wand, if desired.

## AFTER USING THE MACHINE

1 Unplug the Power Cord from the electrical outlet and wrap it around the Cord Hooks on the front of the machine.

2 Check to see if the bag is full, replace if necessary. Clean the bag housing, if necessary.

3 Clean or replace the Vacuum Inlet Filter every third time the bag is changed. Clean or replace the Electrostat Exhaust Filter every fifth time the bag is changed.

4 Remove any built-up carpet fibers or debris from the brush housing.

5 Store the machine indoors in a clean, dry place.

## MAINTENANCE

### CAUTION!

Always disconnect the Power Cord before performing any machine maintenance.

### ATTENTION!

Toujours débrancher la machine avant d'entreprendre tout travail d'entretien.

## CHANGING THE PAPER FILTER BAG

Change the Bag whenever the "Bag Full" Light comes on. To replace the Paper Filter Bag...

- 1 Push the Bag Housing Latch (16) in and remove the back cover.
- 2 Remove the Paper Filter Bag following the instructions printed on the bag.
- 3 Install a new Paper Filter Bag following the instructions printed on the bag.

**IMPORTANT! Never** operate the machine without a Filter Bag in place.

## CHANGING THE CLOTH FILTER BAG

Empty the Bag whenever the "Bag Full" Light comes on. To empty the Cloth Filter Bag...

- 1 Push the Bag Housing Latch (16) in and remove the back cover.
- 2 Remove the Cloth Filter Bag following the instructions printed on the bag.
- 3 Remove bag clip and shake out bag contents.
- 4 Put the bag clip back on the bag.
- 5 Install the Cloth Filter Bag following the instructions printed on the bag.
- 6 Replace the Electrostat Exhaust Filter every fifth time the bag is changed (more often in very dusty applications).

**IMPORTANT! Never** operate the machine without a Filter Bag in place.

## CLEANING THE VACUUM INLET FILTER

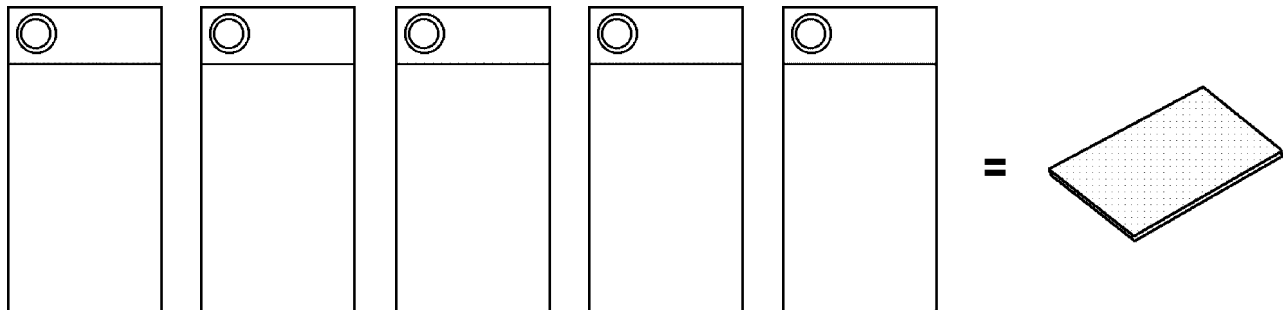
The vacuum inlet filter catches any dirt spilled from the bag, before it can enter the vacuum motor. The filter is located just below the bag. Clean the filter every third time that the bag is changed (more often in very dusty applications). To clean the Vacuum Inlet Filter...

- 1 Push the Bag Housing Latch (16) in and remove the back cover.
- 2 Slide the Filter Holder out of the bottom of the Bag Housing.
- 3 Remove the filter and wash it in warm water. Let the filter dry completely before putting it back into the machine.

**IMPORTANT! Never** operate the machine without the Vacuum Inlet Filter in place.

## CHANGING THE ELECTROSTAT EXHAUST FILTER

The electrostat exhaust filter catches any dirt that may escape from the filter bag, vacuum inlet filter, or lower motor filter. The electrostat exhaust filter is located just below the carrying handle. **Replace the filter every fifth time that the bag is changed (more often in very dusty applications).**



To replace the Electrostat Exhaust Filter...

- 1 Push the Filter Cover Latch (19) in and remove the Electrostat Exhaust Filter Cover (18).
- 2 Remove the Filter from the filter holder and insert a new filter in its place.
- 3 Snap the Filter Cover back into place.

**IMPORTANT! Never** operate the machine without the Electrostat Exhaust Filter in place.

## CHANGING THE BRUSH

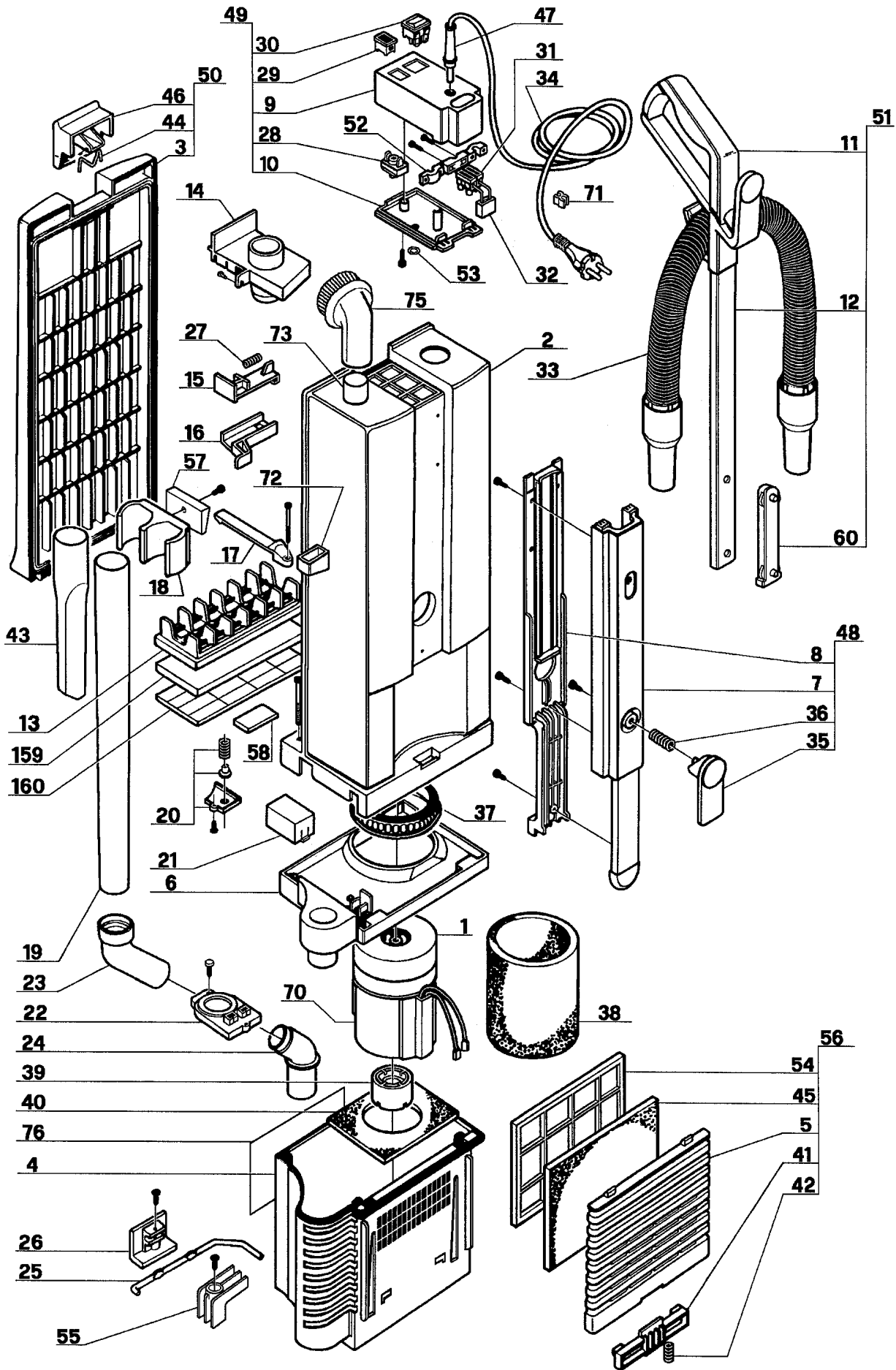
- 1 Remove the bottom cover from the brush housing.
- 2 Grasp the center of the brush and pull it out of the base.
- 3 Pull the metal brush support off the brush.
- 4 Hold the pulley and turn the brush 1/4 turn (clockwise). Pull the brush off the shaft.
- 5 Follow the instructions in reverse order to install the new brush.
- 6 When necessary, replace item #120 (page 13, Brush Shaft and Bearing Assembly) as a group.

## REPLACING THE BELT

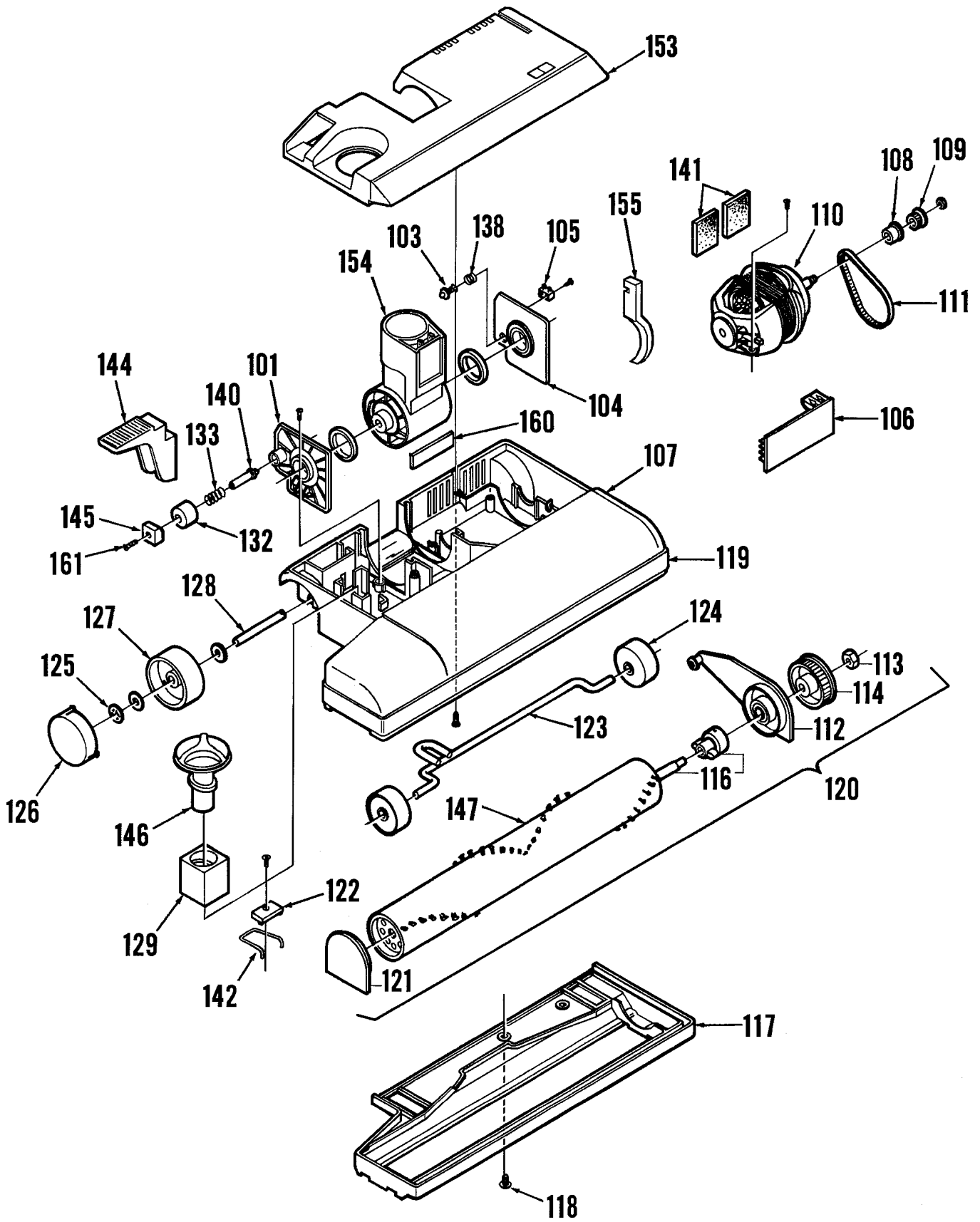
### **⚠ WARNING!**

To reduce the risk of electric shock, unplug before servicing.

- 1 Remove the bottom cover from the brush housing.
- 2 Grasp the center of the brush and pull it out of the base.
- 3 Remove the top cover from the brush housing.
- 4 Remove the old belt from the motor pulley.
- 5 Install the new belt on the motor pulley.
- 6 Install the brush with the new belt around the brush pulley.
- 7 Put the bottom and top covers back on the brush housing.



Item	Part No.	Qty	Description	Item	Part No.	Qty	Description
	56703983	1	Bag Housing Assembly (120V)	45	56703951	1	Electrostat Exhaust Filter (pkg of 5)
	56703984	1	Bag Housing Assembly (56703901, 56703903)	46	56703952	1	Bag Housing Cover Button
	56703985	1	Bag Housing Assembly (56703902)	47	56703662	1	Strain Relief
1	56704172	1	Vacuum Motor Kit (includes #38 & 39) (120V)	48	56703954	1	Electrical System Assembly
*	56704238	2	Carbon Brush				(#7,8,35,36)
	56704173	1	Vacuum Motor Kit (includes #38 & 39) (all 220-240V)	49	56703955	1	Frame Switch Housing with Cable (#9,10,28,29,30) (120V)
2	56703916	1	Bag Housing		56703976	1	Frame Switch Housing with Cable (#9,10,28,29,30) (all 220-240V)
3	56703917	1	Bag Housing Cover with Gasket				
4	56703918	1	Outer Vacuum Motor Housing	50	56703956	1	Complete Cover (#3,44,46)
5	56703919	1	Exhaust Filter Cover	51	56703957	1	Handle Tube Assembly (#11,12,60)
6	56703920	1	Inner Vacuum Motor Housing	52	56703977	1	Cord Clamp
7	56703921	1	Frame, Handle Assembly	53	56703978	1	O-Ring
8	56703922	1	Handle Cover	54	56703967	1	Exhaust Grill
9	56703923	1	Switch Housing	55	56703966	1	Joint Pin
10	56703924	1	Switch Housing Cover	56	56703979	1	Complete Grill (#5,41,42,45,54)
11	56703925	1	Handle	57	56703968	1	Slide
12	56703926	1	Chromate Tube with Buttons	58	56703714	1	Scented Pad (pkg of 5)
13	56703927	1	Grill, Filter Holder	60	56703999	1	Handle Button Assembly
14	56703928	1	Bag Entrance	70	56703993	1	Vacuum Motor Shell
15	56703929	1	Bag Holder Button	71	56703989	1	Cord Clip (120V)
16	56703930	1	Button Guide		56703990	1	Cord Clip (all 220-240V)
17	56703931	1	Safety Grill Clip	72	56703991	1	Crevice Tool Support
18	56703932	1	Double Wand Clip	73	56703992	1	Dusting Brush Support
19	56703771	1	Extension Tube	75	56703785	1	Round Dusting Brush
20	56703933	1	Relief Valve	76	56017042	1	Warning Decal
21	56703934	1	Contacts Protection	159	56703969	1	Filter, Vacuum Inlet
22	56703935	1	Curve Contacts Support	160	56703914	1	Intake Grill
23	56703936	1	Upper Curve				
24	56703937	1	Lower Curve	**	56703910	1	Paper Filter Bag (pkg of 5 plus 1 Electrostat Exhaust Filter)
25	56703938	1	Blocking Joint Pin	**	56703909	1	Cloth Bag
26	56703939	1	Control Pin Slide	**	56706189	1	Bag Clip for Cloth Bag
27	56703940	1	Bag Holder Button Spring	**	56703774	1	Upholstery Tool
28	56704161	1	Vacuum Sensor Kit	**	56703771	1	Wand Extension 48cm long
29	56703941	1	Indicator Light	**	56703772	1	Bent Wand with Suction Control
30	56703708	1	Main Switch	**	56703913	1	Cloth Filter Bag with Bag Clip
31	56703783	1	Terminal Block (all 220-240V)				
	56703972	1	Terminal Block (120V)				
32	56703784	1	RFI Filter (all 220-240V)	** =			Optional Accessory, not shown
33	56704216	1	Semi Flex Hose with Sleeves				
34	56703731	1	Power Cord (120V)				
	56703974	1	Power Cord (56703901, 56703903)				
	56703982	1	Power Cord (56703902)				
35	56703942	1	Cable Clip				
36	56703943	1	Spring				
37	56703944	1	Gasket				
38	56703945	1	Sound Reduction Foam				
39	56704170	1	Gasket				
40	56703947	1	Lower Motor Filter				
41	56703948	1	Grill Housing Button				
42	56703949	1	Grill Housing Spring				
43	56703725	1	Crevice Tool				
44	56703950	1	Spring				



01-7	<b>BRUSH HOUSING</b>		
02-11	<b>L/A One™</b>		<b>15</b>

Item	Part No.	Qty	Description
	56703986	1	Brush Housing Assembly (120V)
	56703988	1	Brush Housing Assembly (all 220-240V)
101	56703734	1	Right Connector Support
103	56703736	1	Switch Activator Pin
104	56703737	1	Left Connector Support
105	56703738	1	Brush Motor Switch
106	56703739	1	Circuit Board (120V)
	56704026	1	Circuit Board (all 220-240V)
107	56703960	1	Base Housing
108	56703741	1	Pulley Spacer
109	56703742	1	Brush Motor Pulley
110	56703743	1	Brush Motor (120V)
	56703657	1	Brush Motor (all 220-240V)
111	56703962	1	Belt
112	56703745	1	Left Brush Support with Bearing
113	56703746	1	Brush Pulley Nut
114	56703747	1	Brush Pulley
116	56703749	1	Brush Shaft with Insert
117	56703750	1	Shoe Plate
118	56703751	4	Screw
119	56703752	1	Bumper
120	56703998	1	Brush Shaft and Bearing Assembly (includes #112, 113, 114, 116, 121, does not include brush)
121	56703754	1	Right Brush Support with Bearing
122	56703755	1	Spring Stop Plate
123	56703756	1	Front Axle
124	56703757	2	Front Wheel
125	56703758	2	Wheel Retainer <b>Note 1</b>
126	56703759	2	Wheel Cover <b>Note 1</b>
127	56039263	2	Rear Wheel <b>Note 1</b>
128	56703761	2	Rear Axle
129	56703762	1	Brush Adjuster
132	56703765	1	Bushing
133	56703766	1	Spring, Handle Release Pedal
138	56703659	1	Spring
140	56100675	1	Plunger Kit
141	56703728	1	Brush Motor Filter (set of 2)
142	56703777	1	Spring, Brush Adjust
144	56703980	1	Handle Release Pedal <b>TSB 625</b>
145	56703763	1	Slide
146	56703981	1	Brush Adjuster Knob
147	56703753	1	Brush
153	56703965	1	Base Housing Cover
154	56703959	1	Joint Complete <b>TSB 625 / TSB 676</b>
155	56703958	1	Slide Lever
160	56703788	1	Felt Seal (set of 2)
161	56703668	2	Screw

**Note 1:** Old rear wheel arrangement consisting of three parts (56703758, 56703759 and 56039263) has been replaced with a newer wheel arrangement consisting of two parts (56704033 [wheel retainer] and 56704032 [rear wheel]). Individual parts are not interchangeable, but the wheel arrangements are interchangeable. Both wheel arrangements are still available. Two wheels per machine.



Nilfisk-Advance, Inc.  
14600 21st Avenue North  
Plymouth, MN, 55447-3408  
[www.nilfisk-advance.com](http://www.nilfisk-advance.com)  
Phone: 800-989-2235  
Fax: 800-989-6566  
©2002 Nilfisk-Advance, Inc.,  
Plymouth, MN 55447-3408  
Printed in the U.S.A.