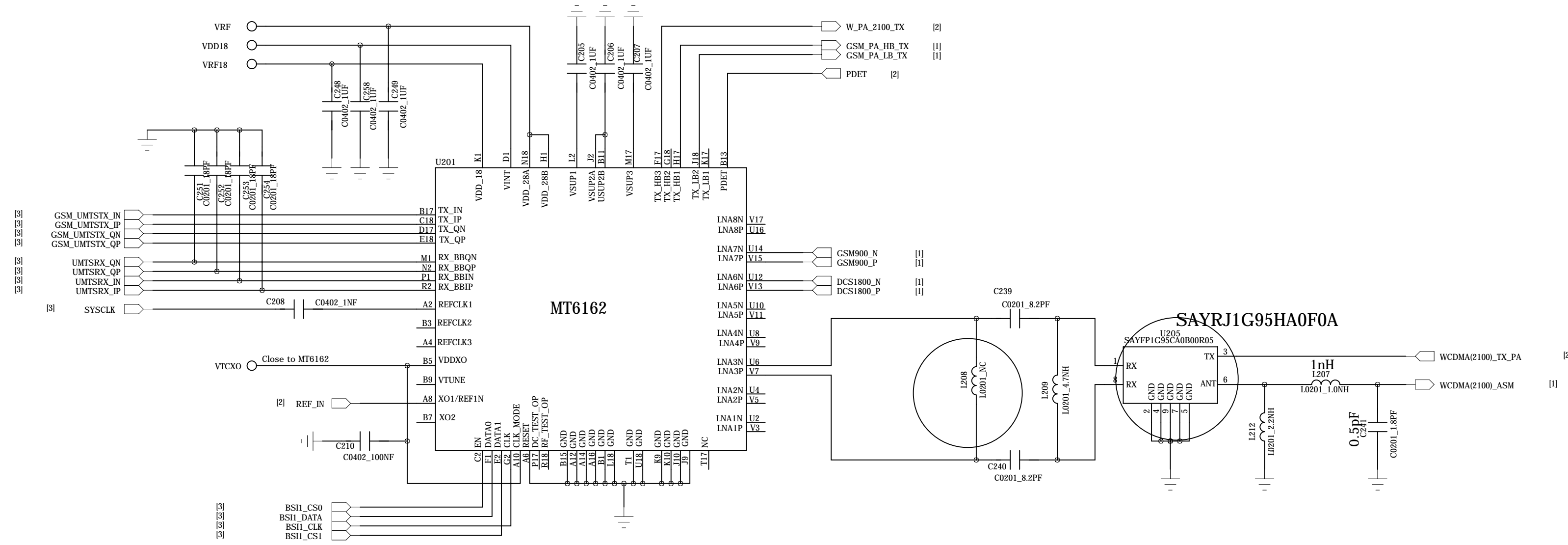
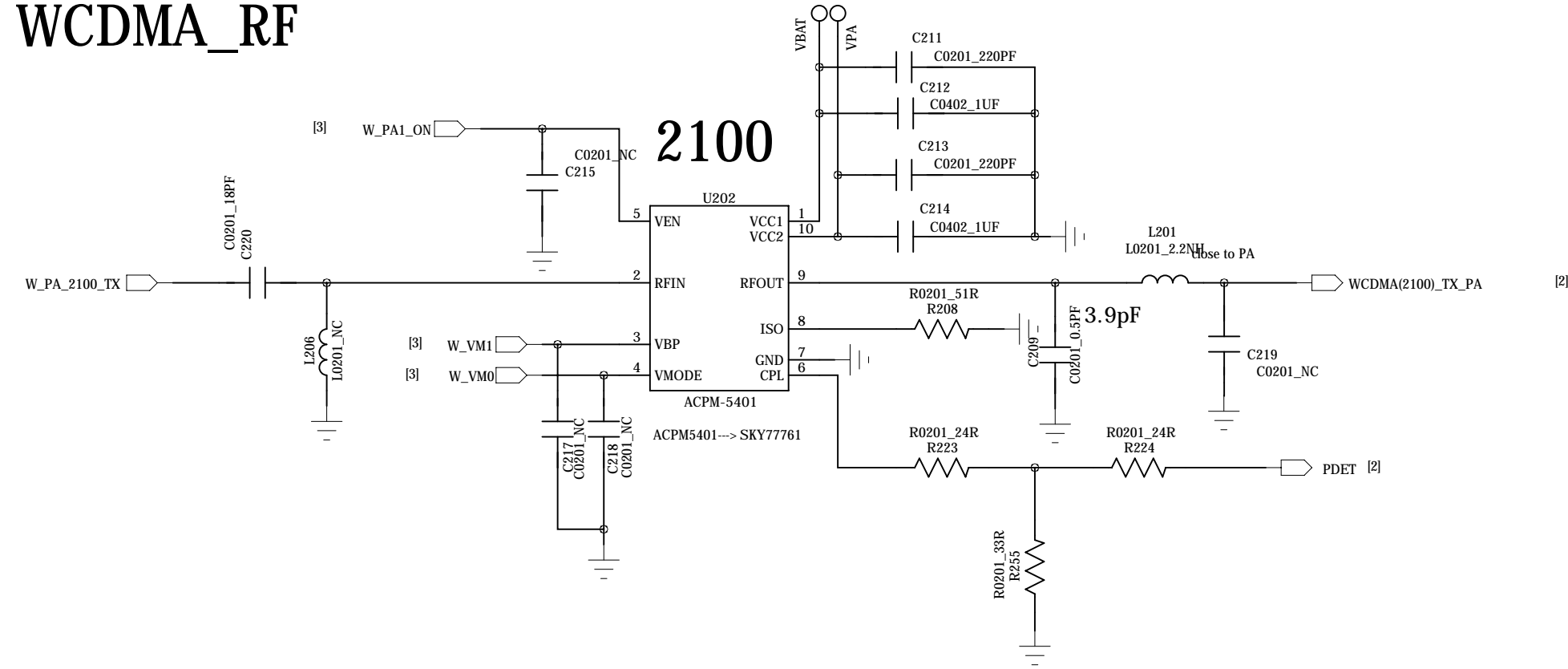
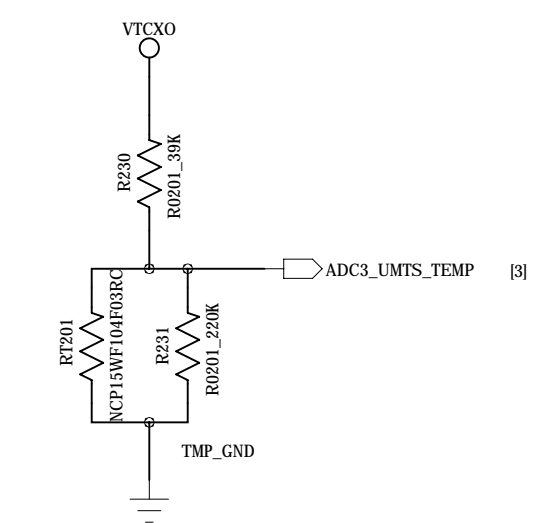
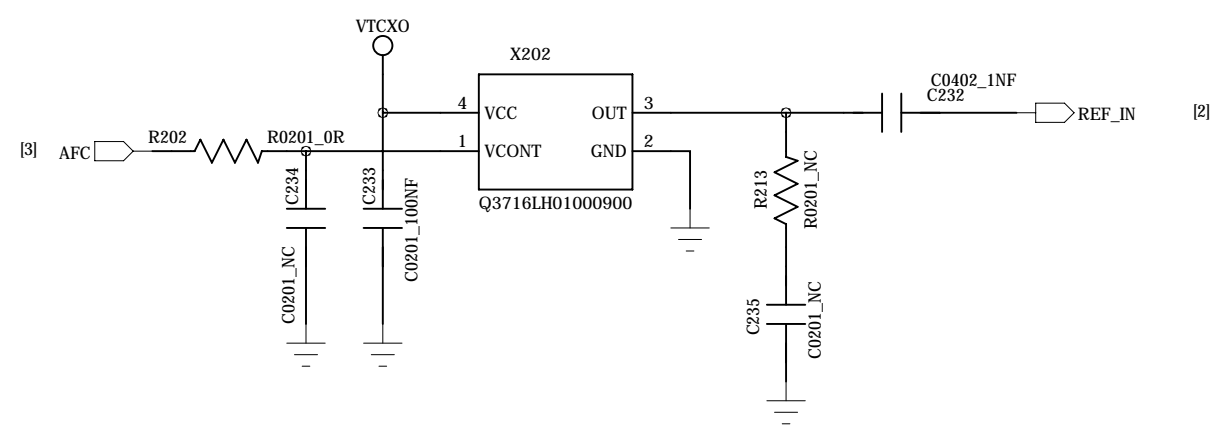


<b>HUAQIN</b>				MODEL:		DRAWING NO.:	
DRAWN		DATED		TITLE:		VERSION:	
CHECKED		DATED					
						SHEET:	

# WCDMA\_RF

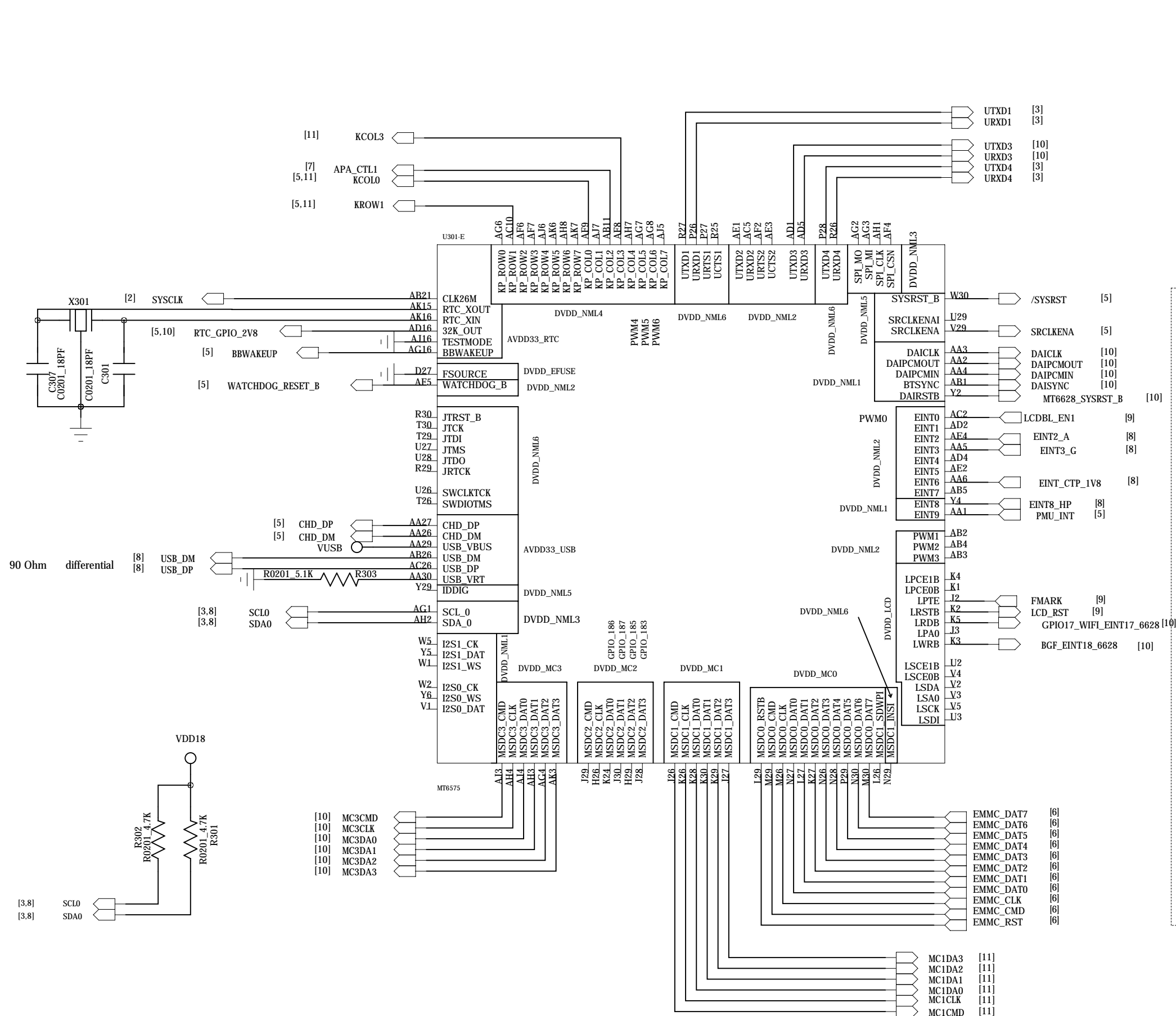


## 26MHZ\_TCXO

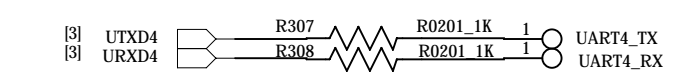
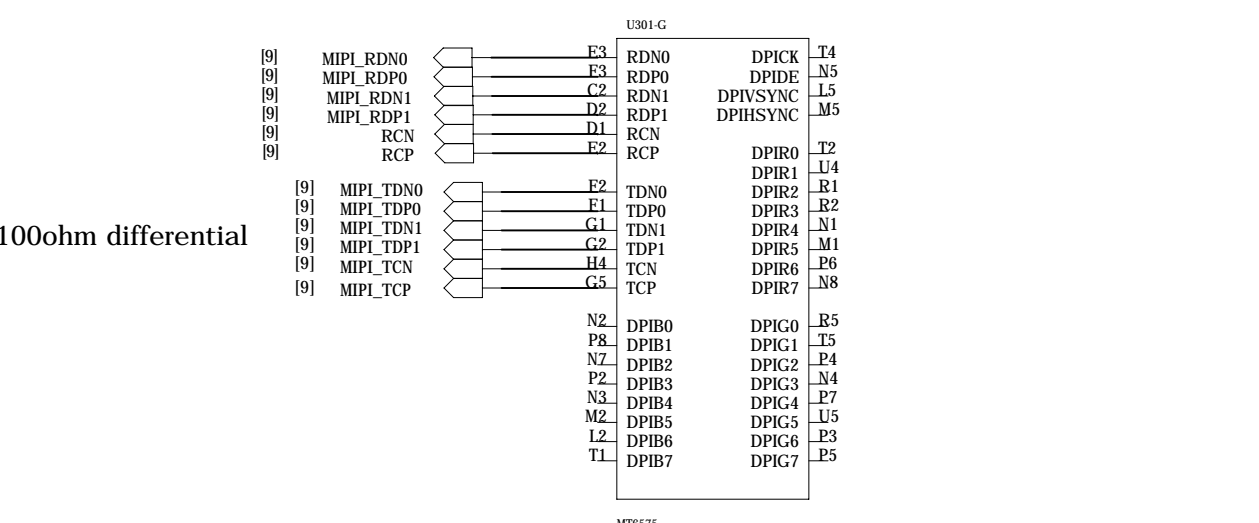
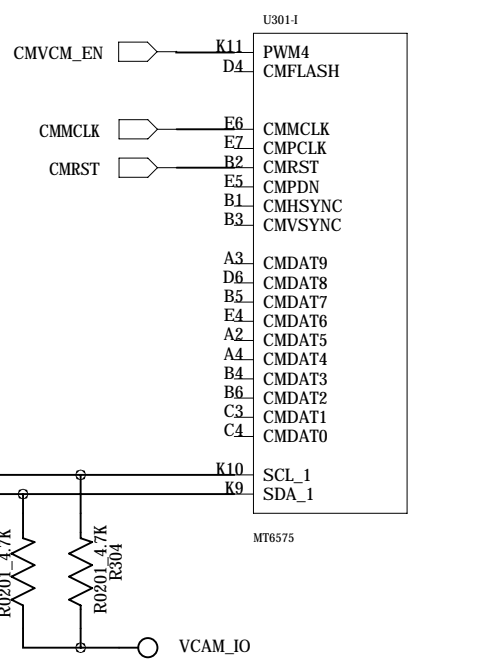
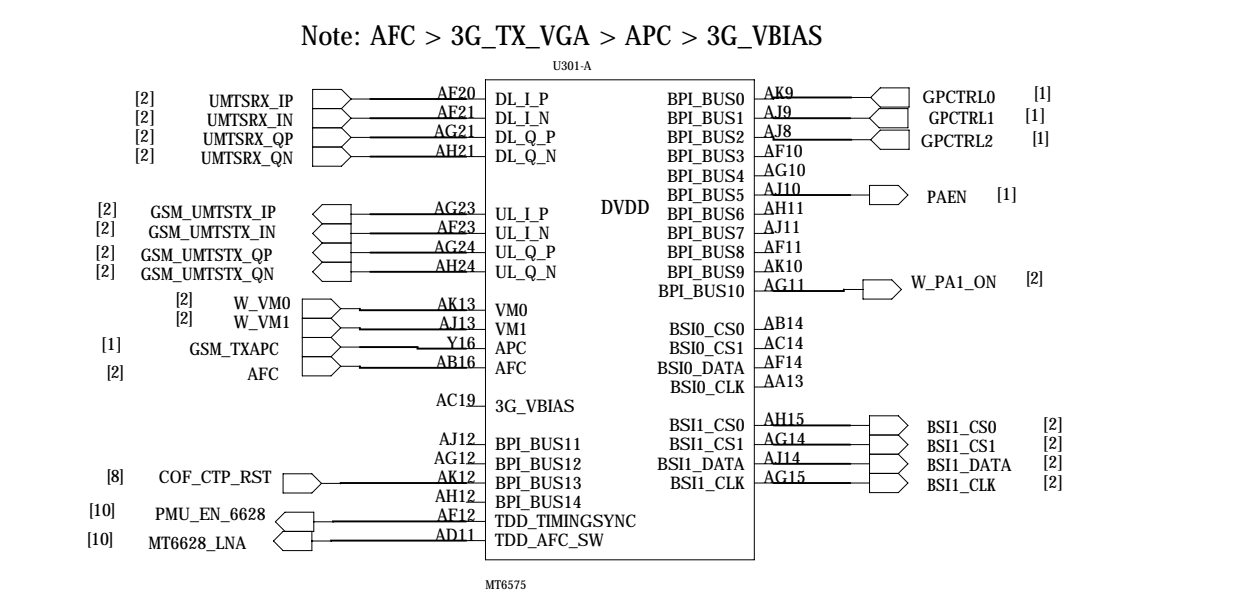
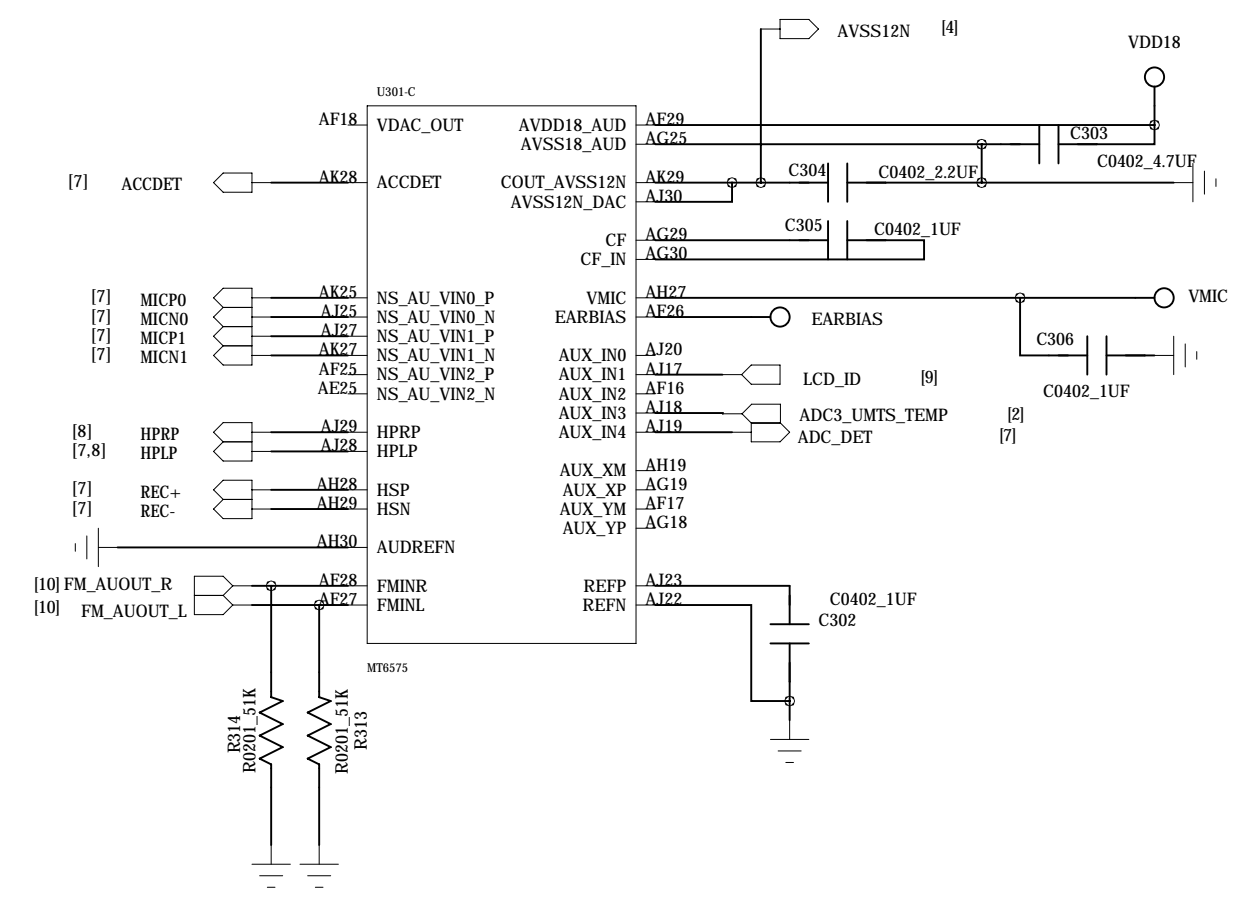


# HUAQIN

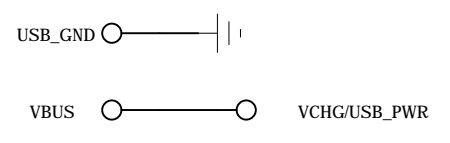
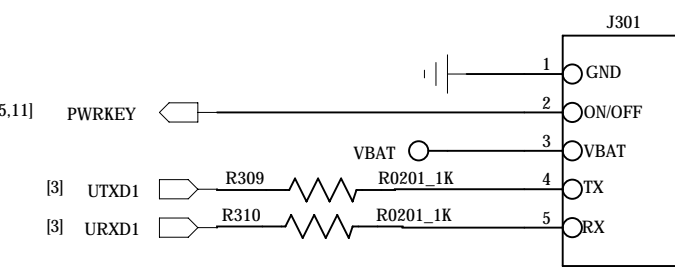
DRAWN		DATED		MODEL:		DRAWING NO.:	
CHECKED		DATED		TITLE:		VERSION:	
						SHEET:	



- PWM1-3 can be used for sleep mode
- EINT0: HEADSET / SENSOR
  - EINT1: AST2001 GPIO0\_EINT / SENSOR
  - EINT2: MT6620 BGF\_EINT / SENSOR
  - EINT3: SENSOR / USB (reserved)
  - EINT4: MT6620 WIFI\_EINT / SENSOR
  - EINT5: ATV / SENSOR
  - EINT6: CTP
  - EINT7: AST2001 HI\_EINT / SENSOR
  - EINT8: MT6329
  - EINT9: MT6329 Watchdog
- 
- UART1: Download
  - UART2: NFC
  - UART3: MT6620
  - UART4: Debug
- 
- I2C0 : G/M/GYRO/ CTP / OFN
  - I2C1 : Camera / ATV
  - I2C2 : PMIC
- 
- I2S0 : ATV
  - I2S1 : MT6620
- 
- MSDC0 : Reserved
  - MSDC1 : T-Card (Support SD3.0)
  - MSDC2 : Reserved
  - MSDC3 : MT6620

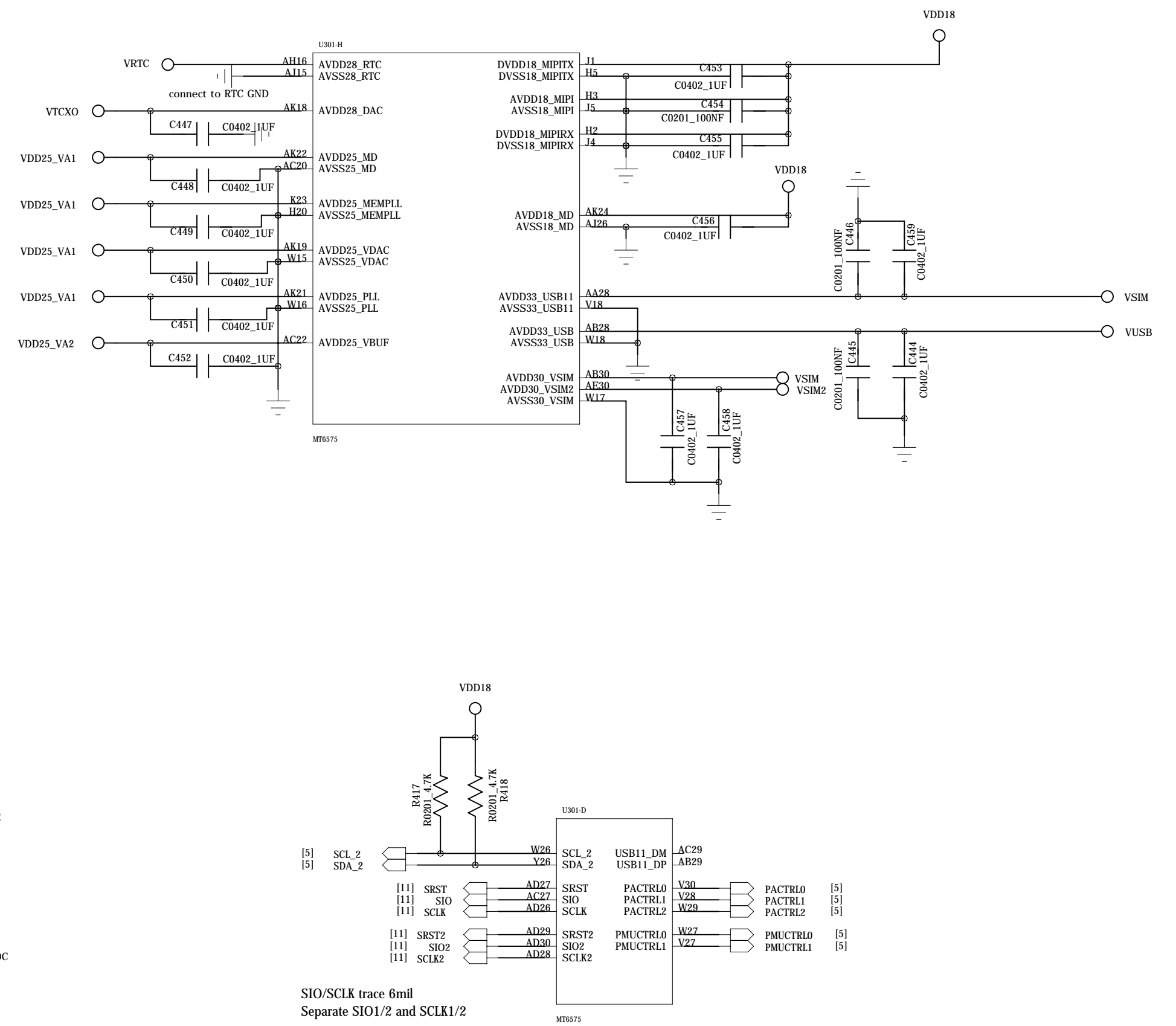
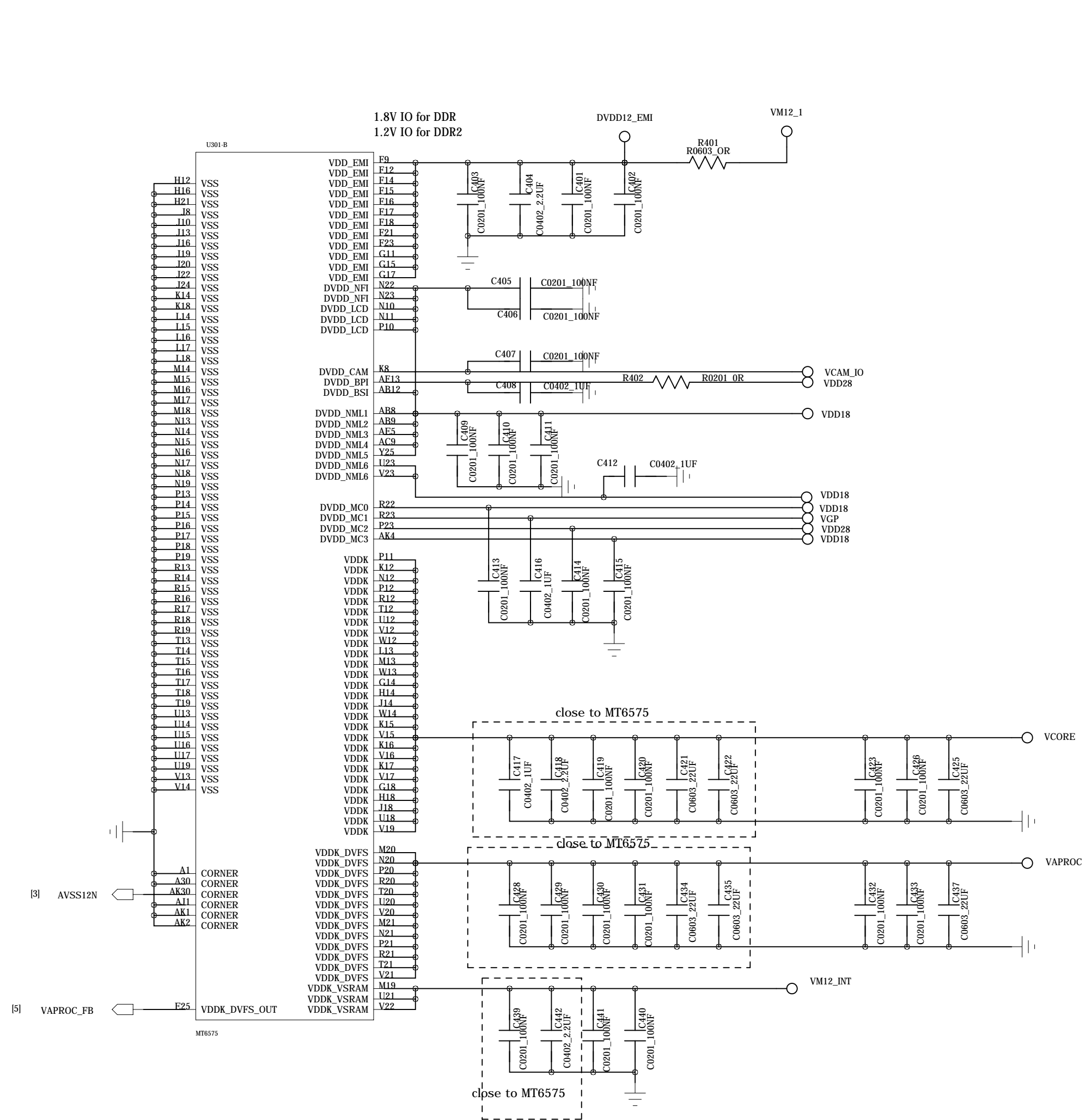


### UART Download



Need to turn off if I2C1 devices not operated

<h1>HUAQIN</h1>		MODEL:	DRAWING NO.:	
DRAWN:	DATED	TITLE: BB_GPIO	VERSION:	SHEET: 3/12
CHECKED:	DATED			



# HUAQIN

MODEL:

DRAWING NO.:

DRAWN:

DATED

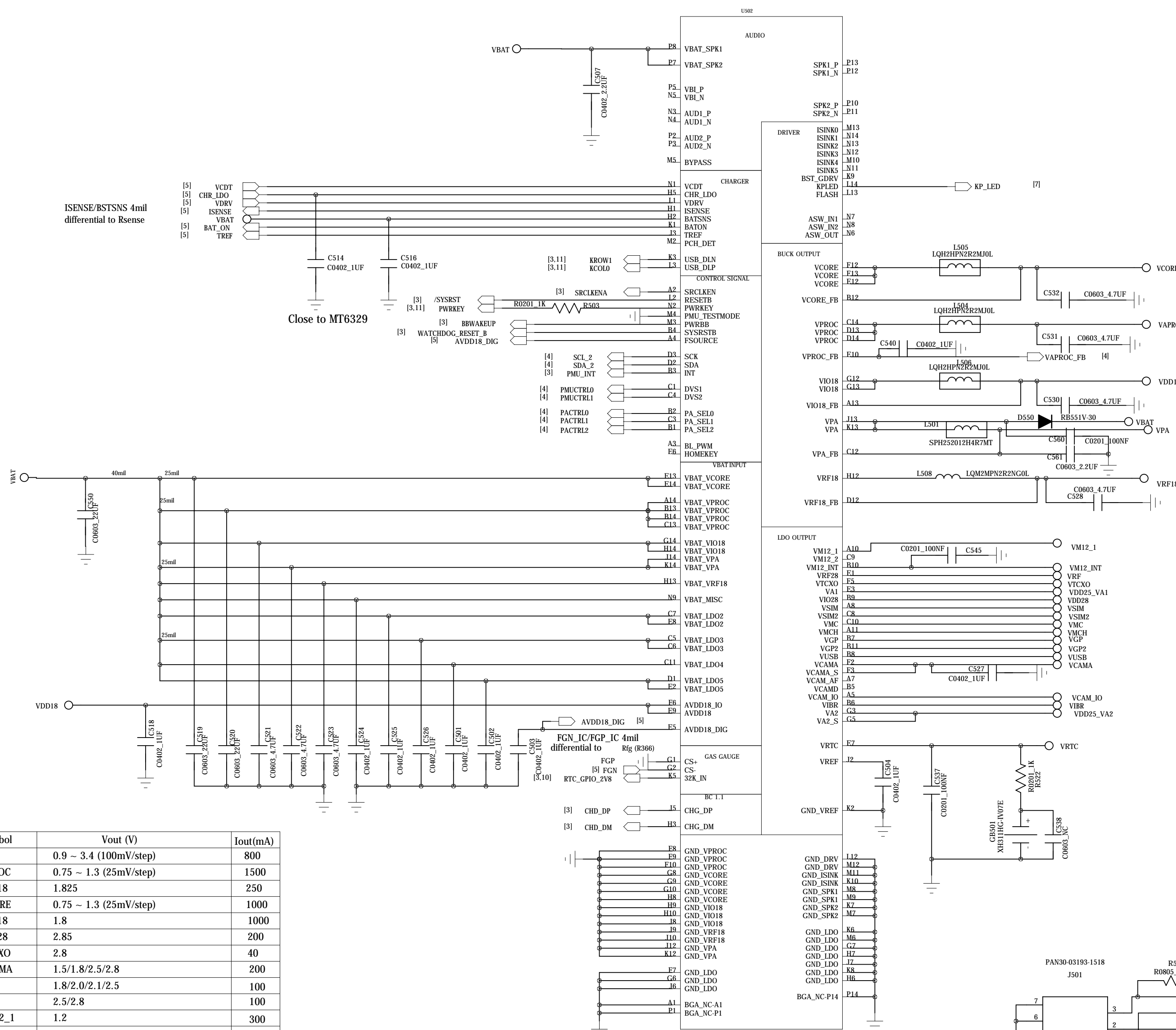
TITLE: BB\_PWR

VERSION:

CHECKED

DATED

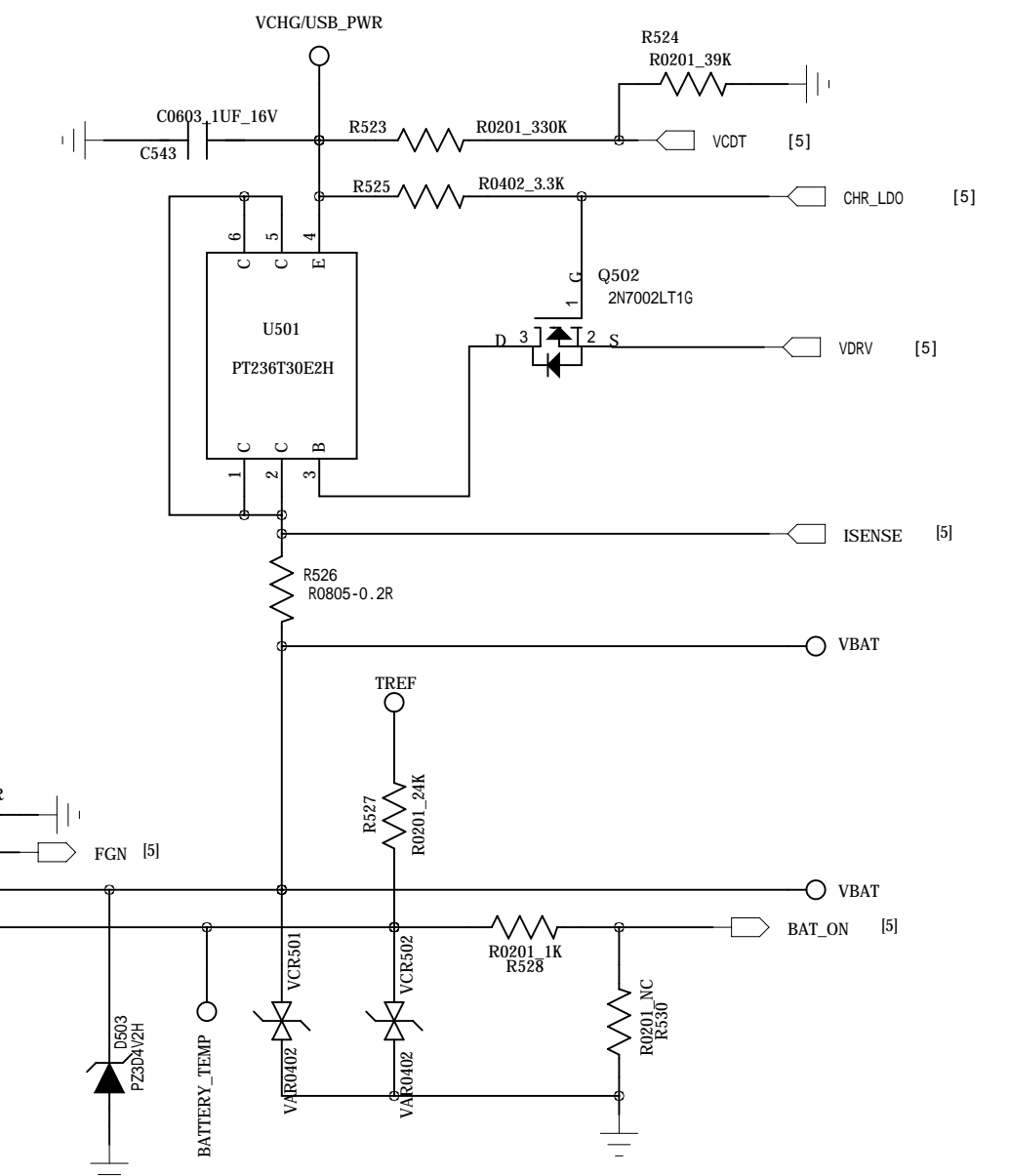
SHEET: 4/12



ISENSE/BSTNS 4mil differential to Rsense

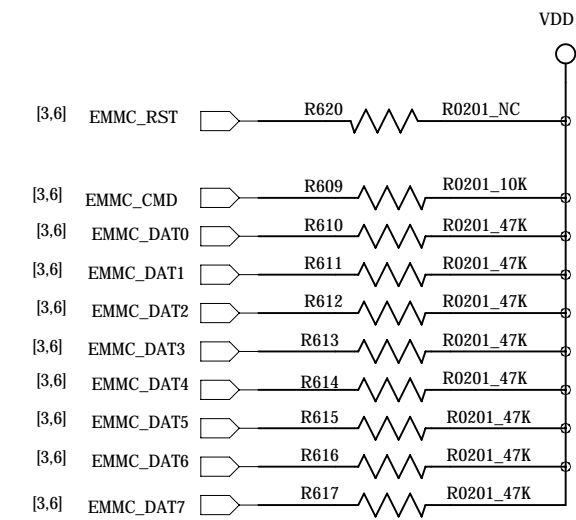
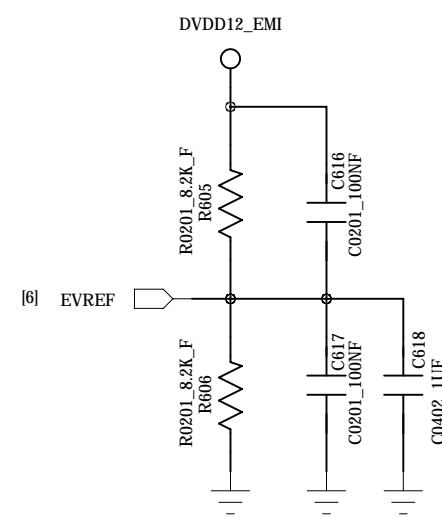
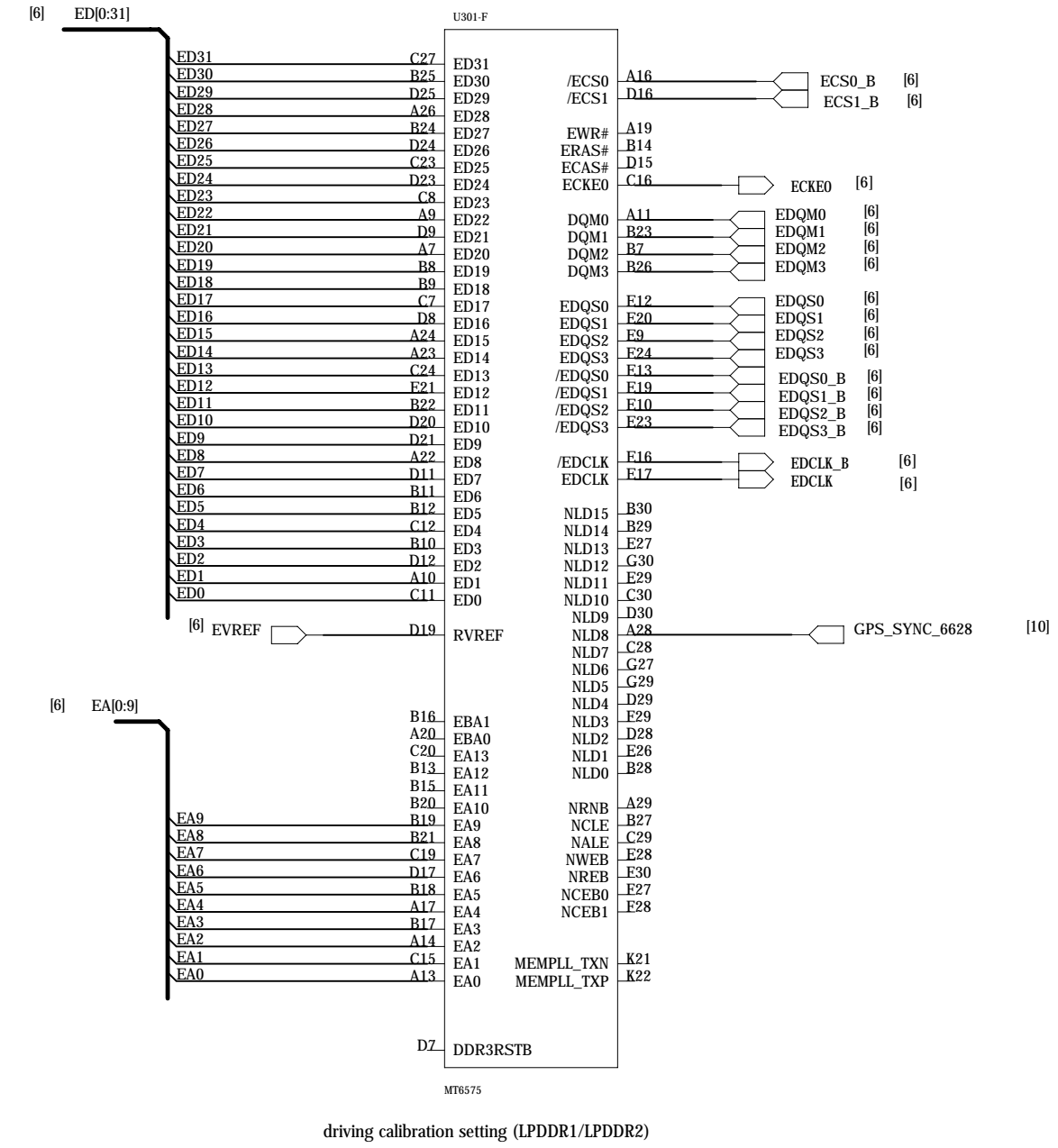
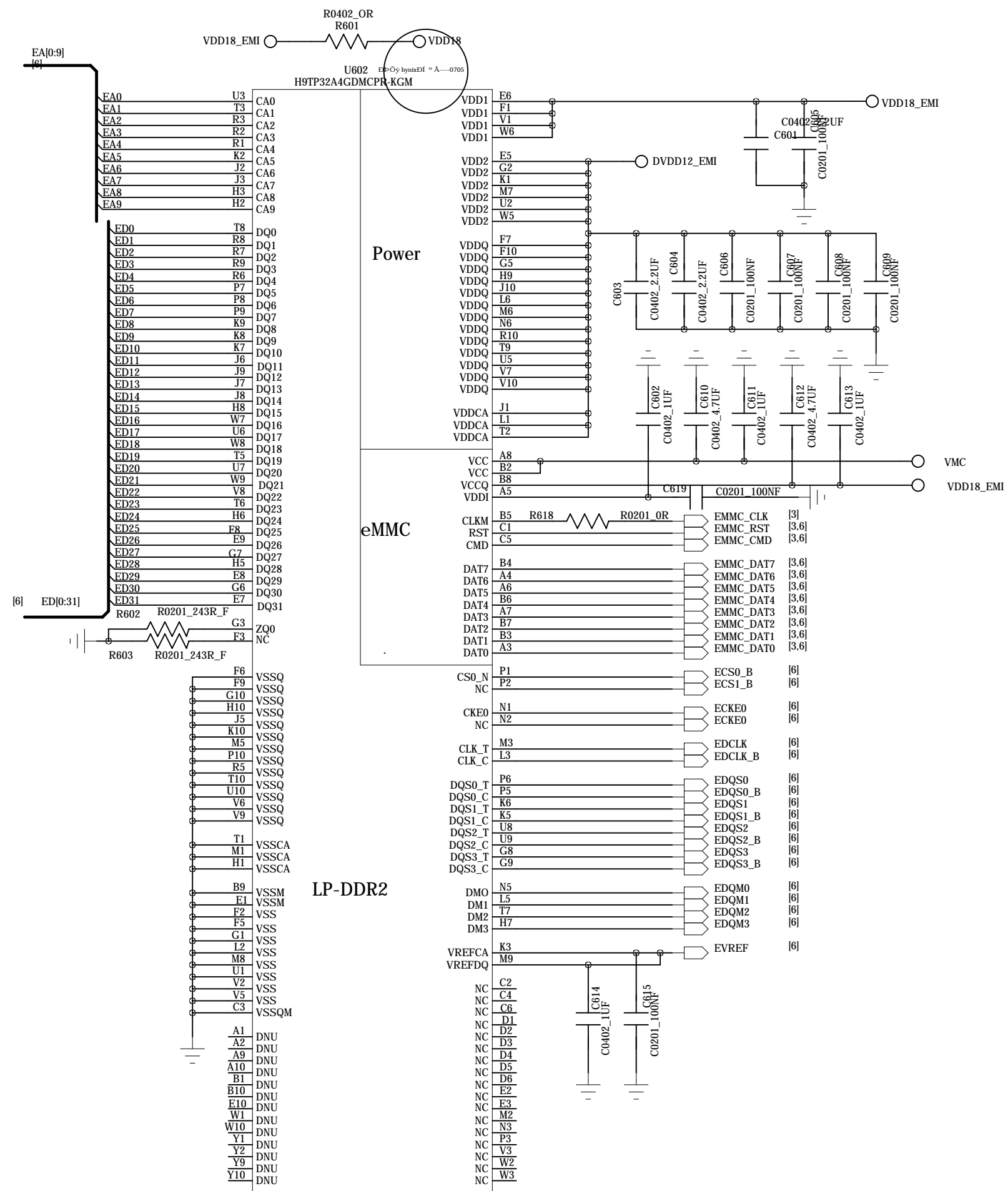
Close to MT6329

	Symbol	Vout (V)	Iout(mA)
Buck	VPA	0.9 ~ 3.4 (100mV/step)	800
	VPROC	0.75 ~ 1.3 (25mV/step)	1500
	VRF18	1.825	250
	VCORE	0.75 ~ 1.3 (25mV/step)	1000
	VIO18	1.8	1000
Analog LDO	VRF28	2.85	200
	VTCXO	2.8	40
	VCAMA	1.5/1.8/2.5/2.8	200
Digital LDO	VA1	1.8/2.0/2.1/2.5	100
	VA2	2.5/2.8	100
	VM12_1	1.2	300
	VM12_2	1.2	300
	VM12_INT	1.2	300
	VIO28	2.8	100
	VSIM1	1.8/3.0	100
	VSIM2	1.3/1.5/1.8/2.5/2.8/3.0/3.3	100
	VUSB	3.3	100
	VCAMD	1.2/1.3/1.5/1.8/2.5/2.8/3.0/3.3	300
	VCAM_IO	1.3/1.5/1.8/2.5/2.8/3.0/3.3	100
	VCAM_AF	1.3/1.5/1.8/2.5/2.8/3.0/3.3	200
	VMC	1.3/1.5/1.8/2.5/2.8/3.0/3.3	200
	VMCH	1.3/1.5/1.8/2.5/2.8/3.0/3.3	400
	VGP	1.3/1.5/1.8/2.5/2.8/3.0/3.3	100
VGP2	1.3/1.5/1.8/2.5/2.8/3.0/3.3	100	
Vibrator	VIBR	1.3/1.5/1.8/2.5/2.8/3.0/3.3	200
RTC	VRTC	1.8/2.0/2.1/2.8	2



HUAQIN

<b>DRAWN:</b>	<b>DATED</b>	<b>MODEL:</b>	<b>DRAWING NO.:</b>
<b>CHECKED</b>	<b>DATED</b>	<b>TITLE: Power</b>	<b>VERSION:</b>
			<b>SHEET: 5/12</b>



**HUAQIN**

MODEL:

DRAWING NO.:

DRAWN:

DATED

TITLE:

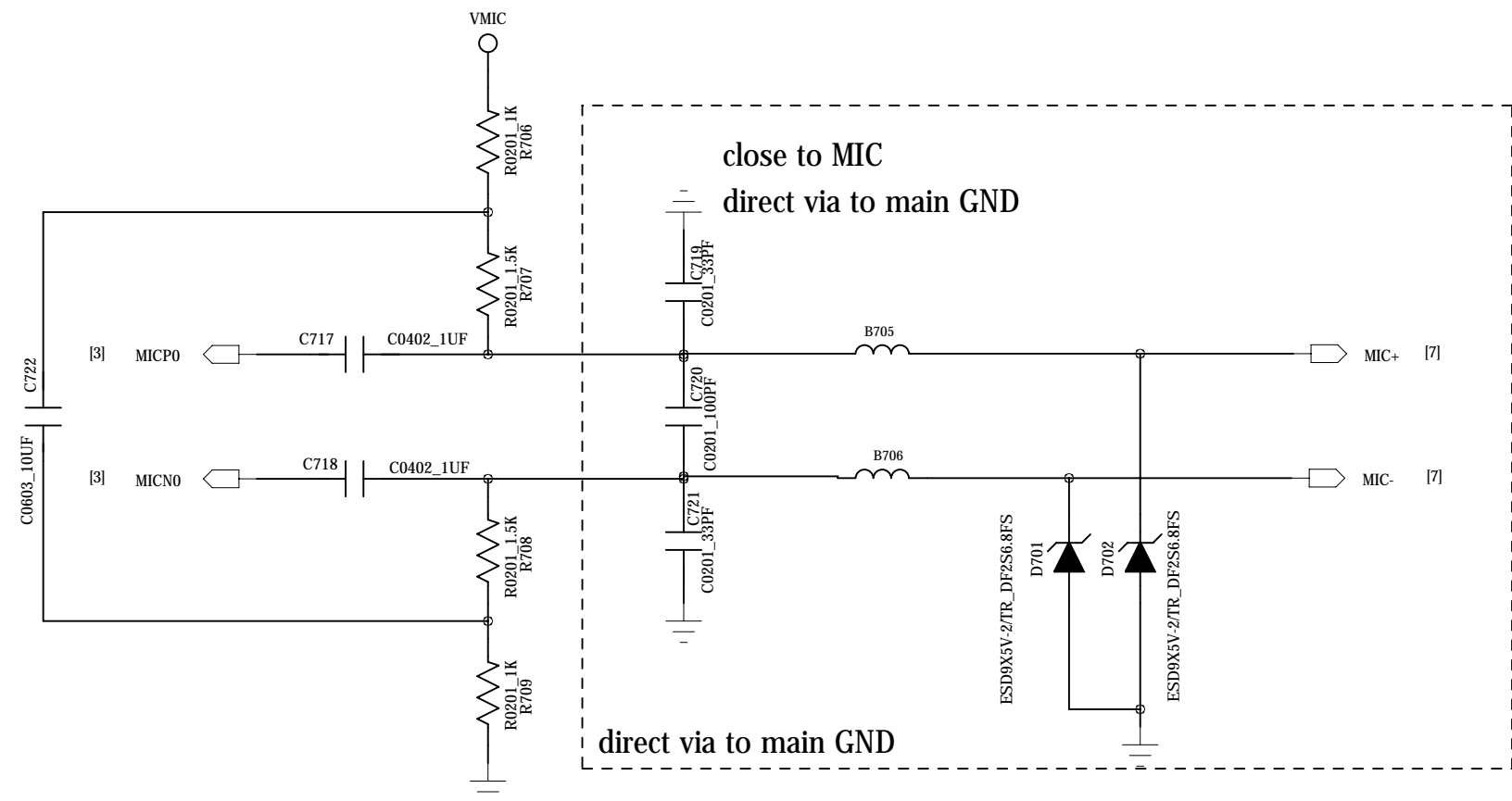
VERSION:

CHECKED

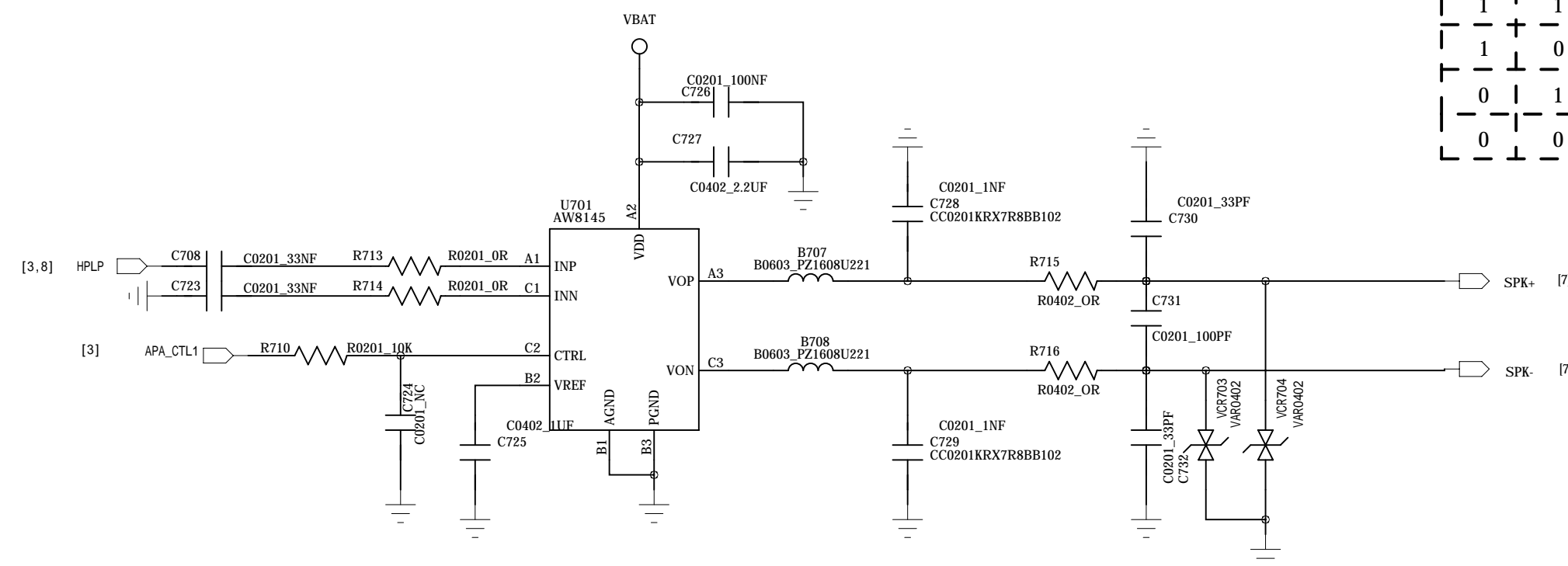
DATED

SHEET: 6/12

# MIC --- main

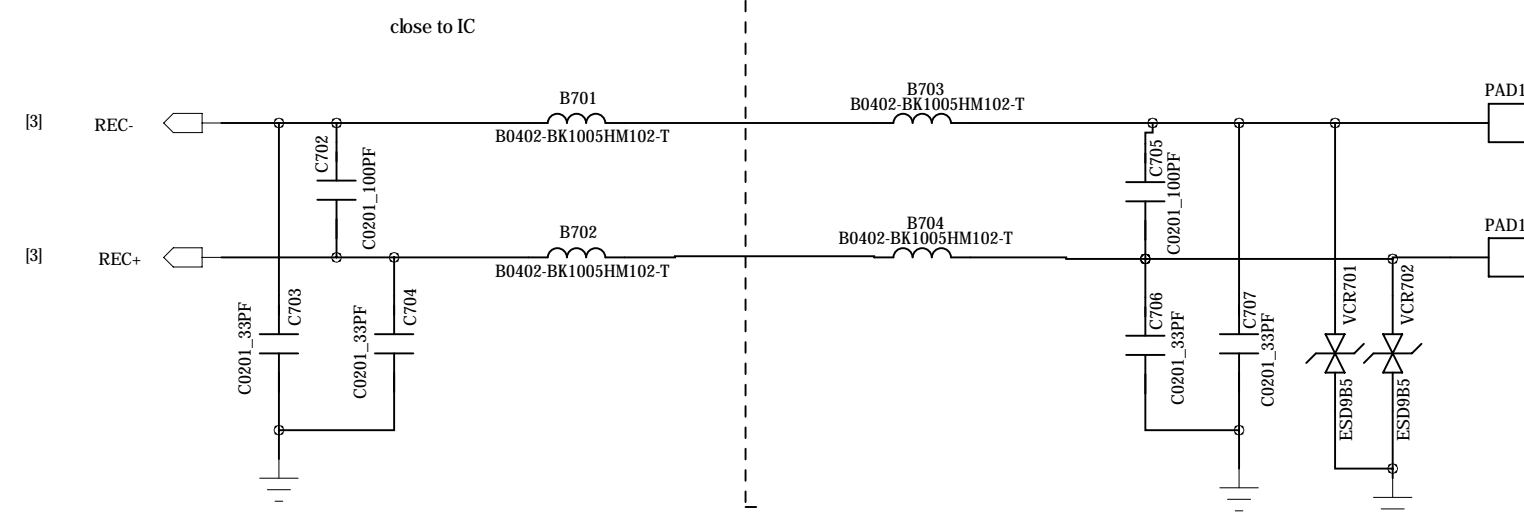


# AUDIO PA

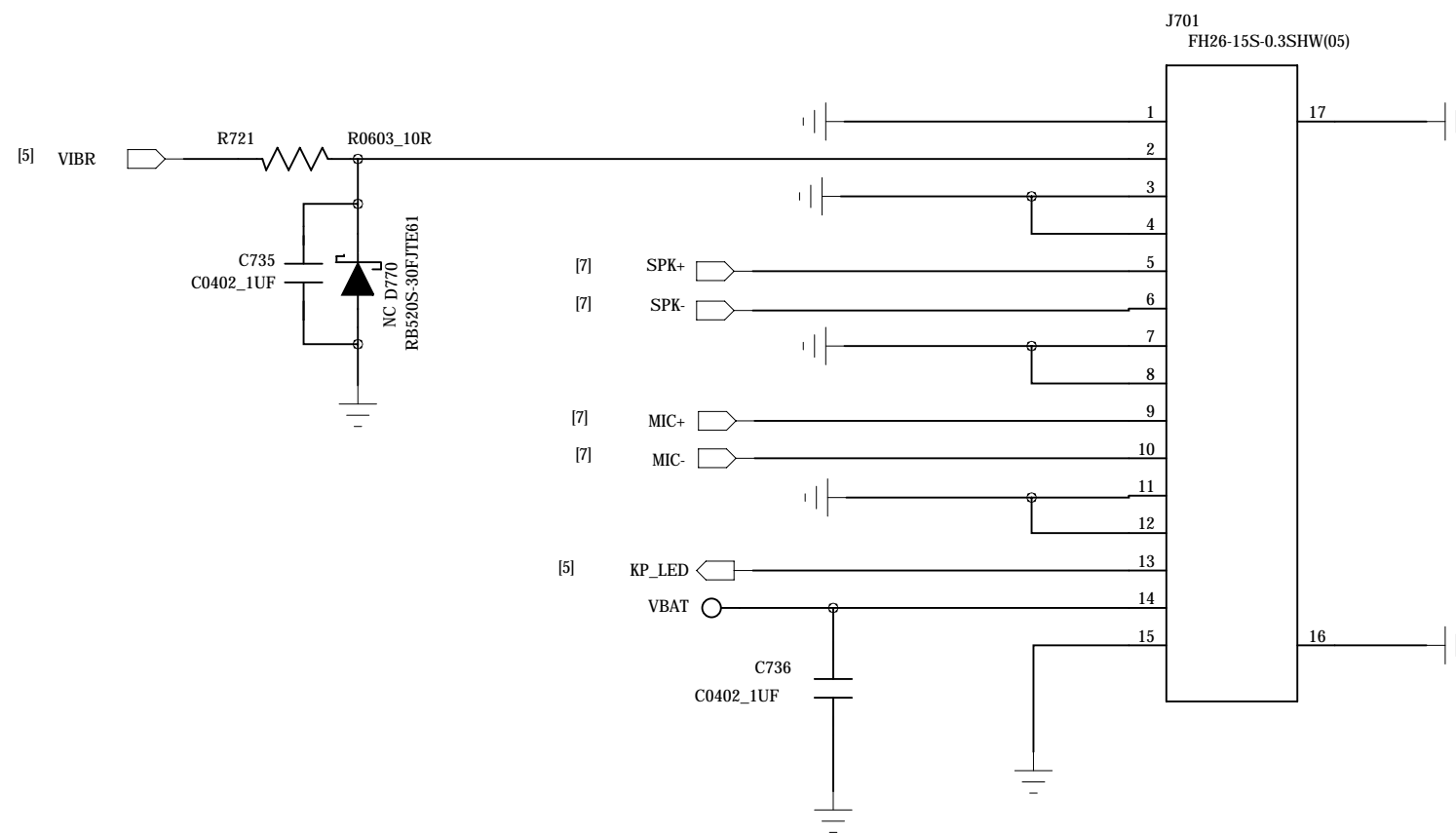
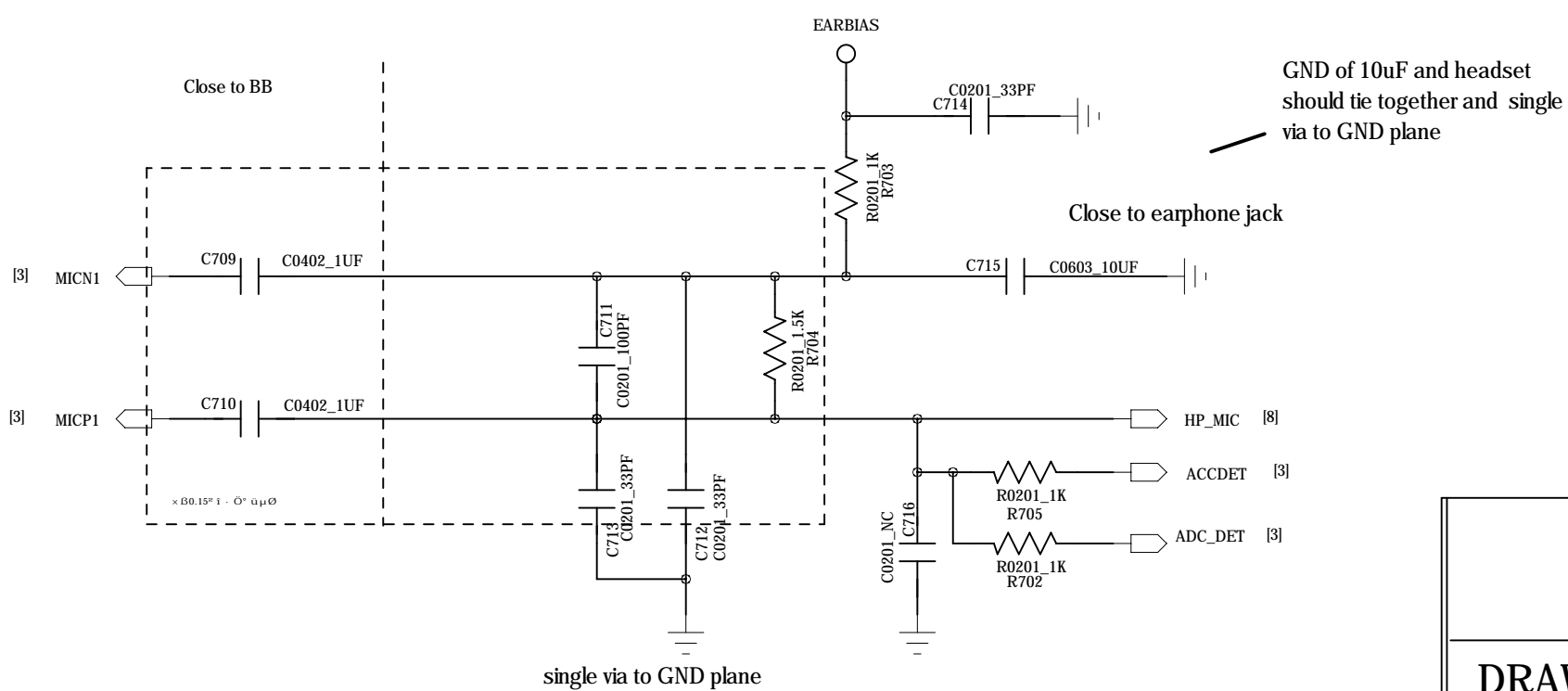


CTRL1	CTRL2	Mode
1	1	NCN1 (music)
1	0	NCN2 (voice)
0	1	NCNOFF
0	0	Shutdown

# HANDSET RECEIVER



# Earphone MICPHONE



# HUAQIN

MODEL:

DRAWING NO.:

DRAWN:

heweitao

DATED

20120803

TITLE:

VERSION:

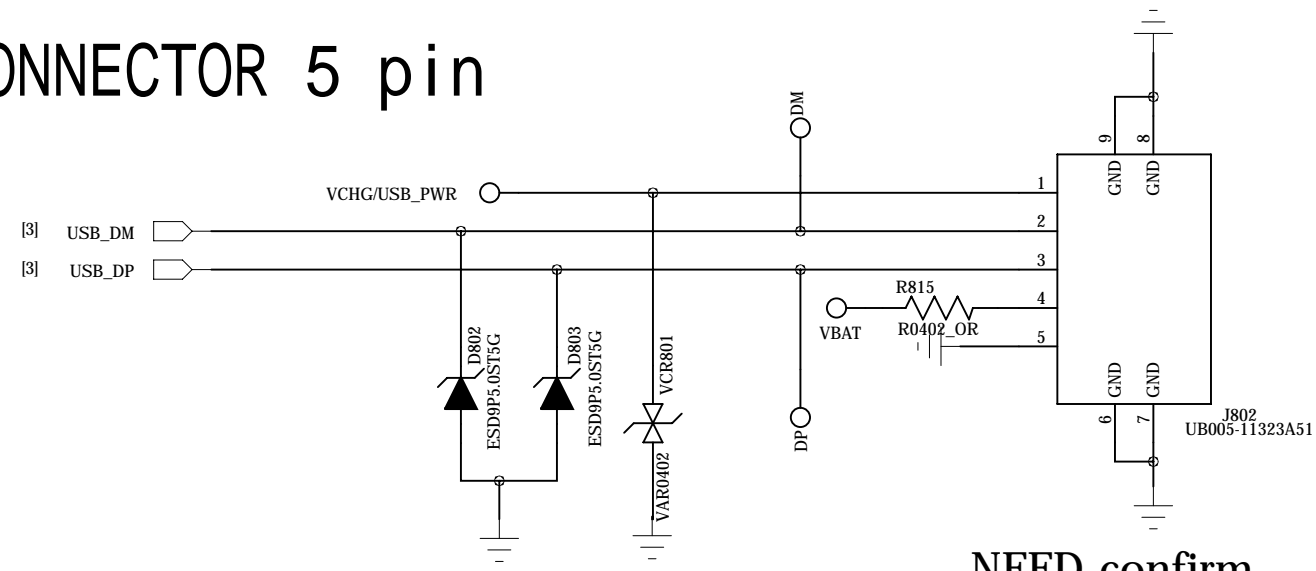
SHEET: 7/12

CHECKED

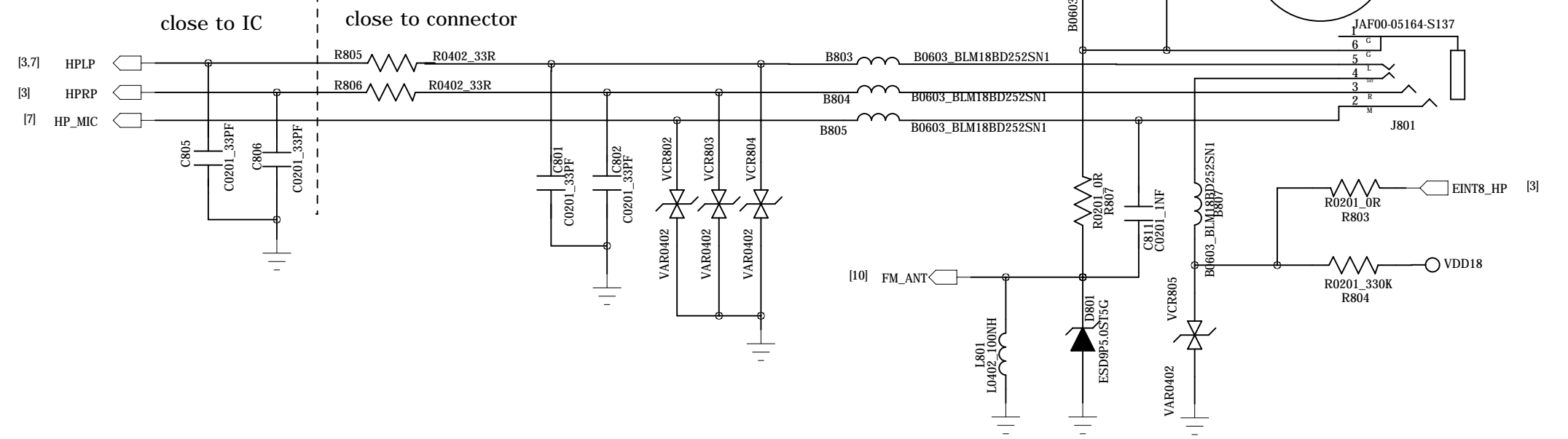
DATED

# I/O CONNECTOR 5 pin

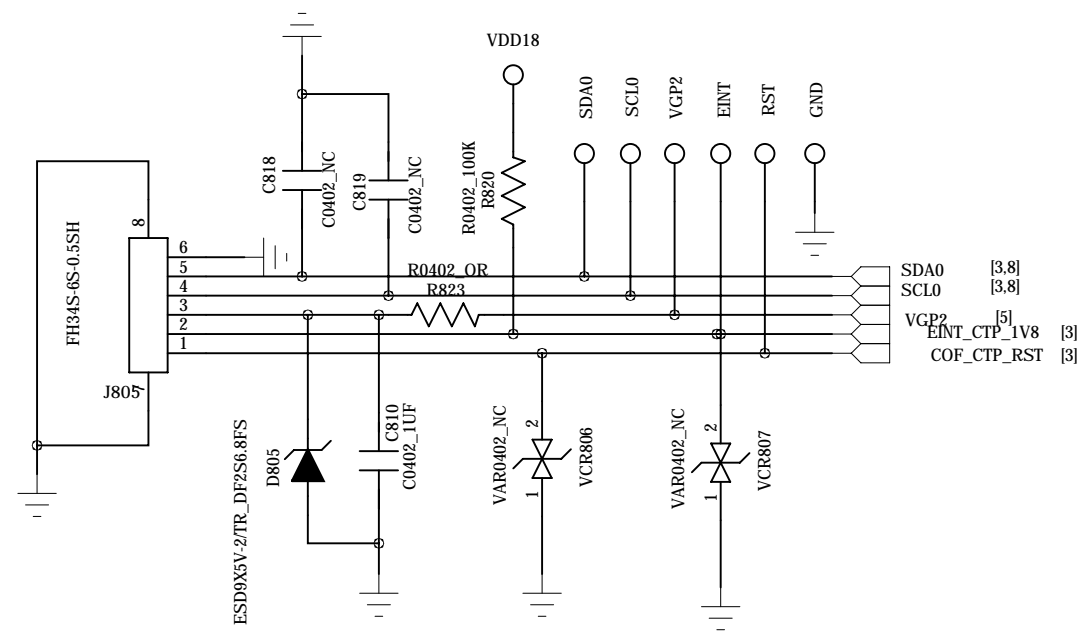
differential 90 A-Å.



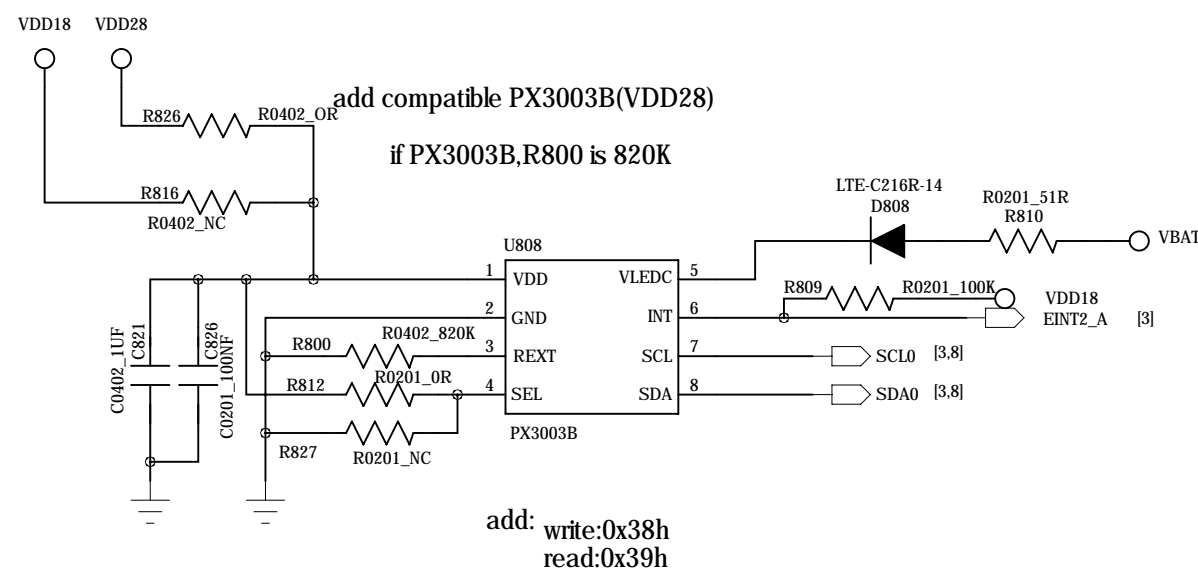
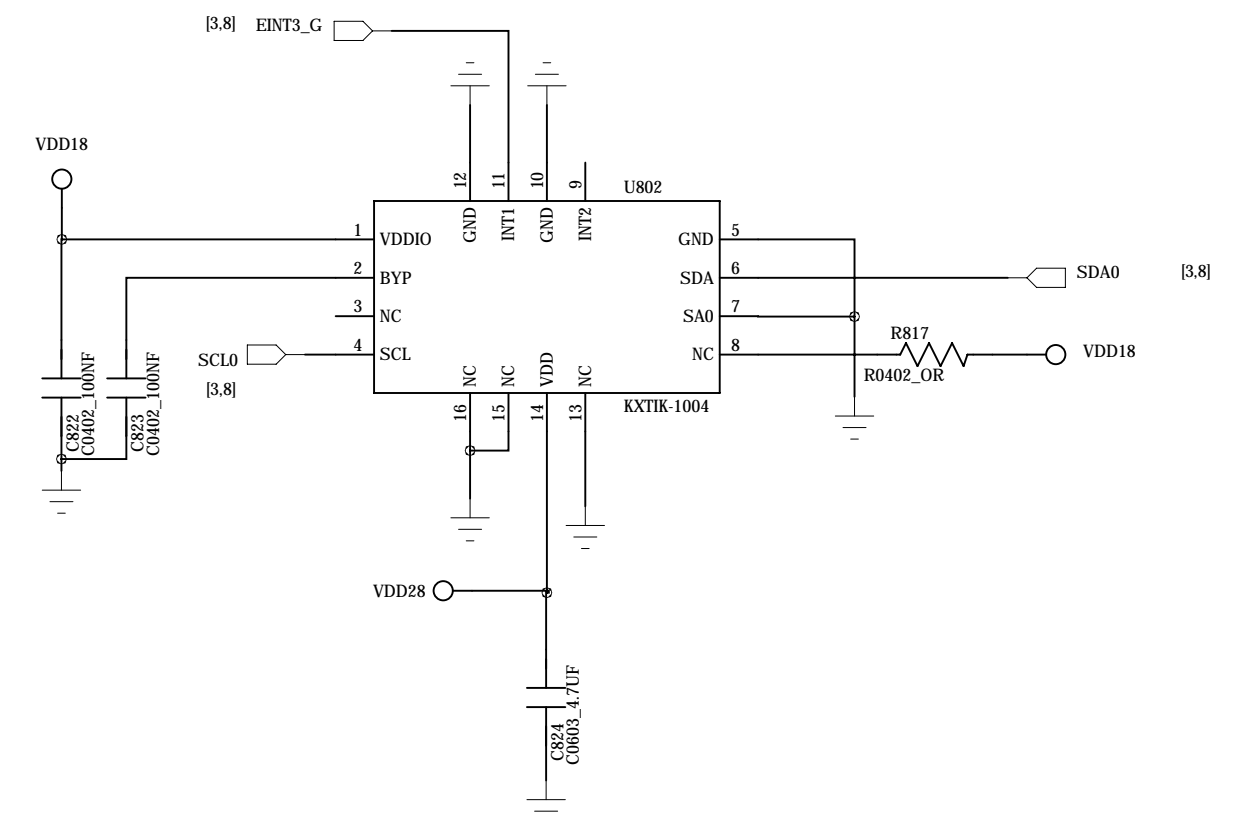
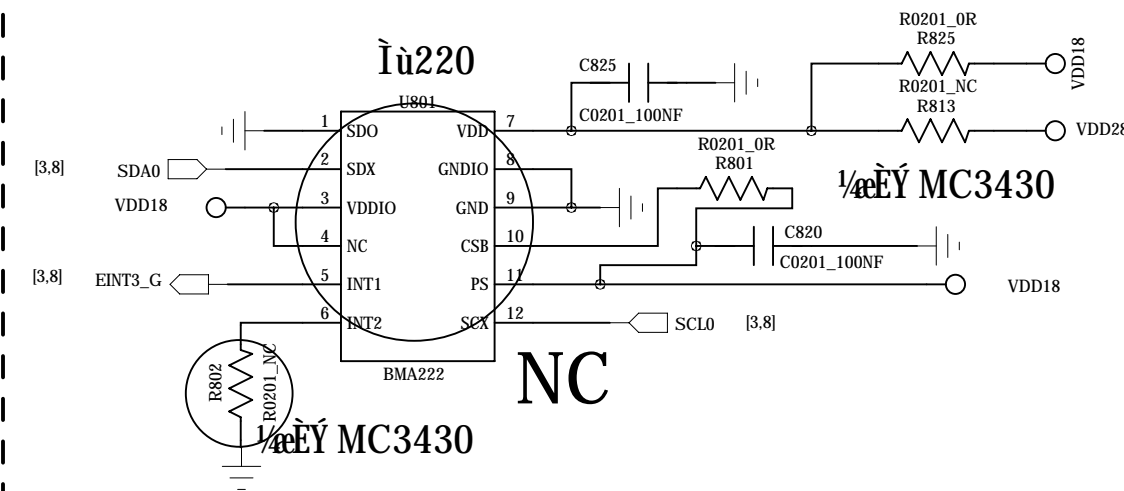
NEED confirm



## CTP



## G-sensor



# HUAQIN

MODEL:

DRAWING NO.:

DRAWN  
CHECKED

DATED  
DATED

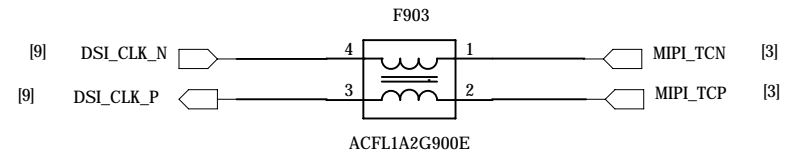
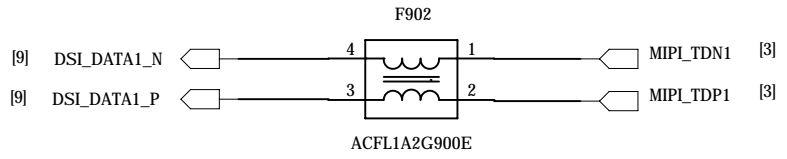
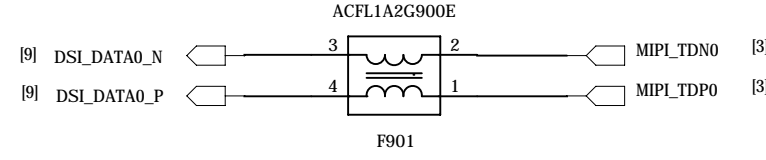
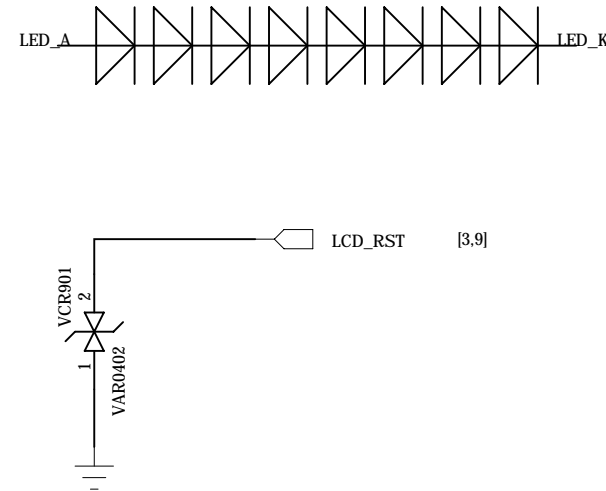
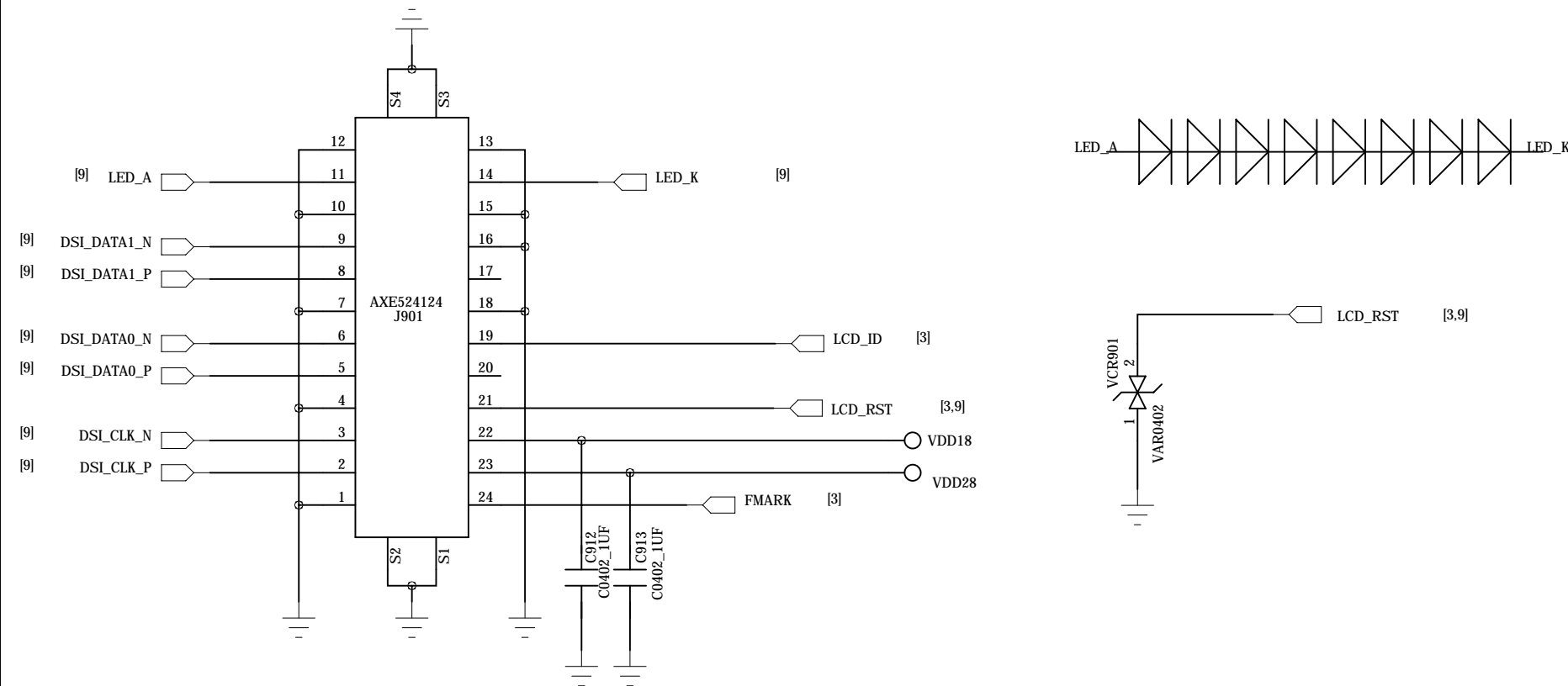
TITLE:

VERSION:

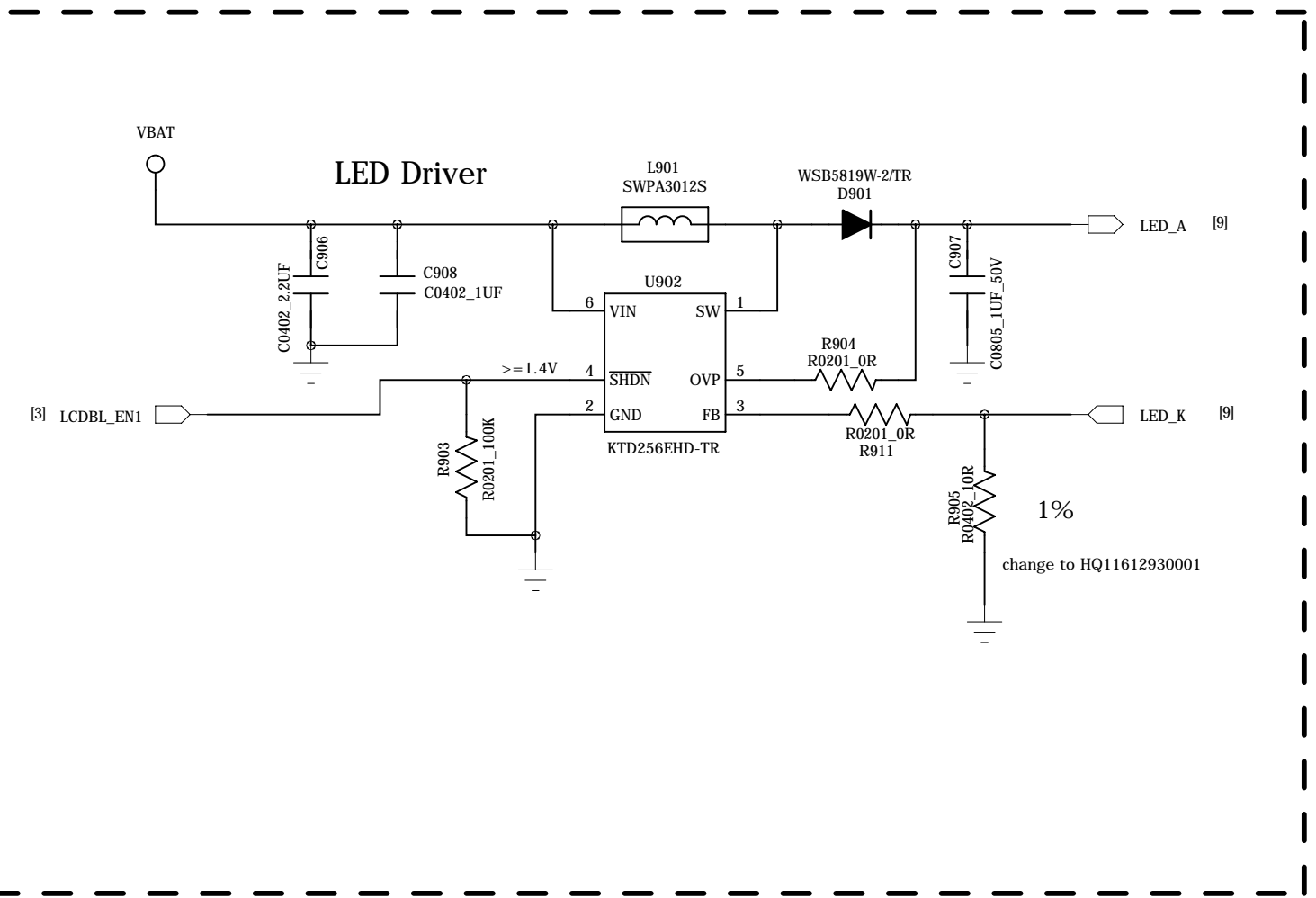
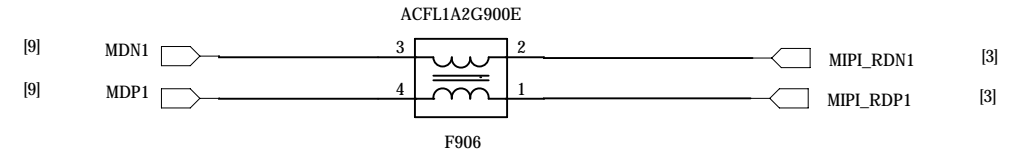
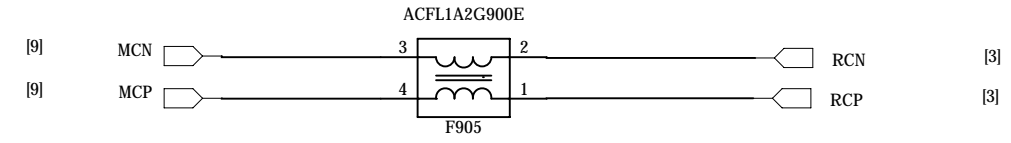
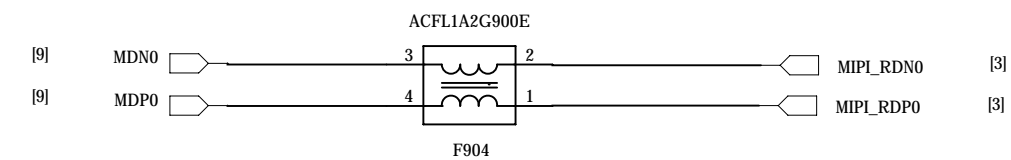
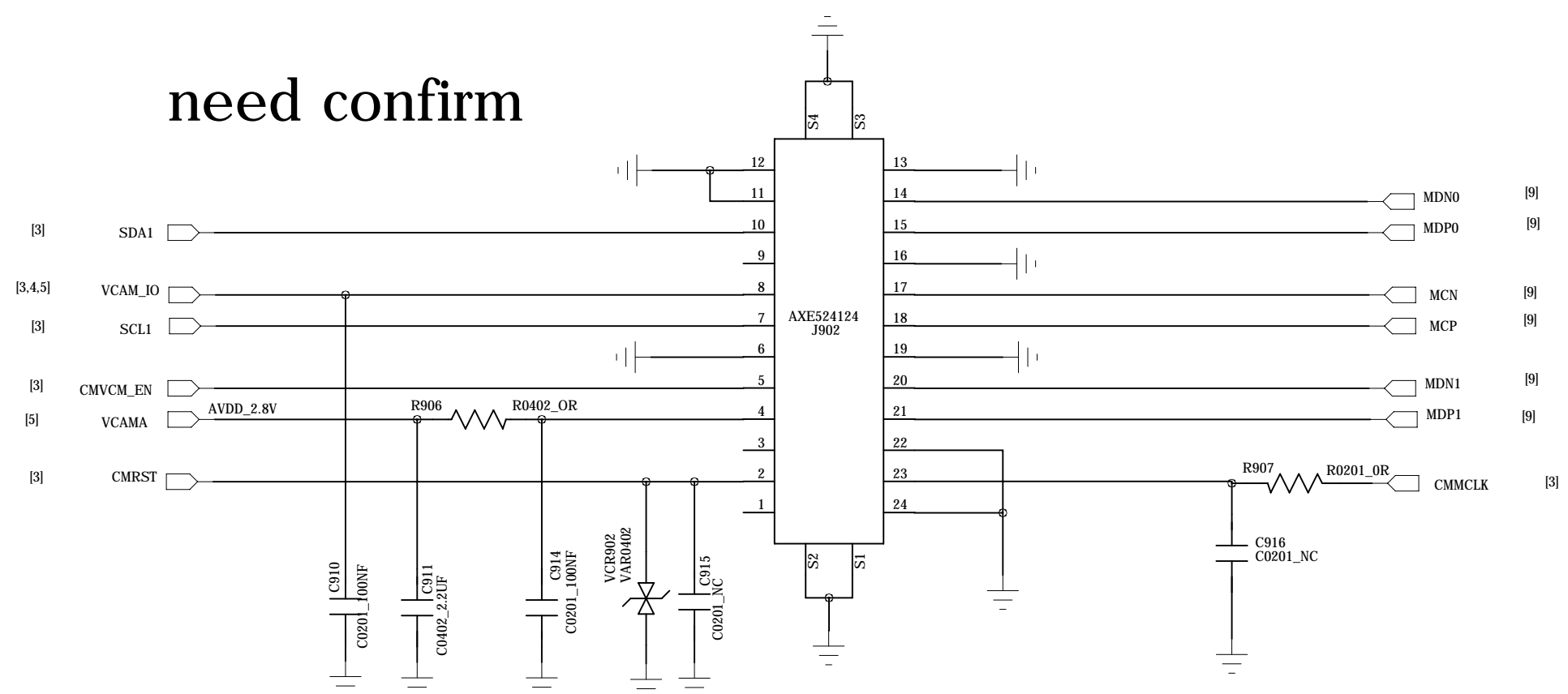
SHEET: 8/12



# CAMERA INTERFACE

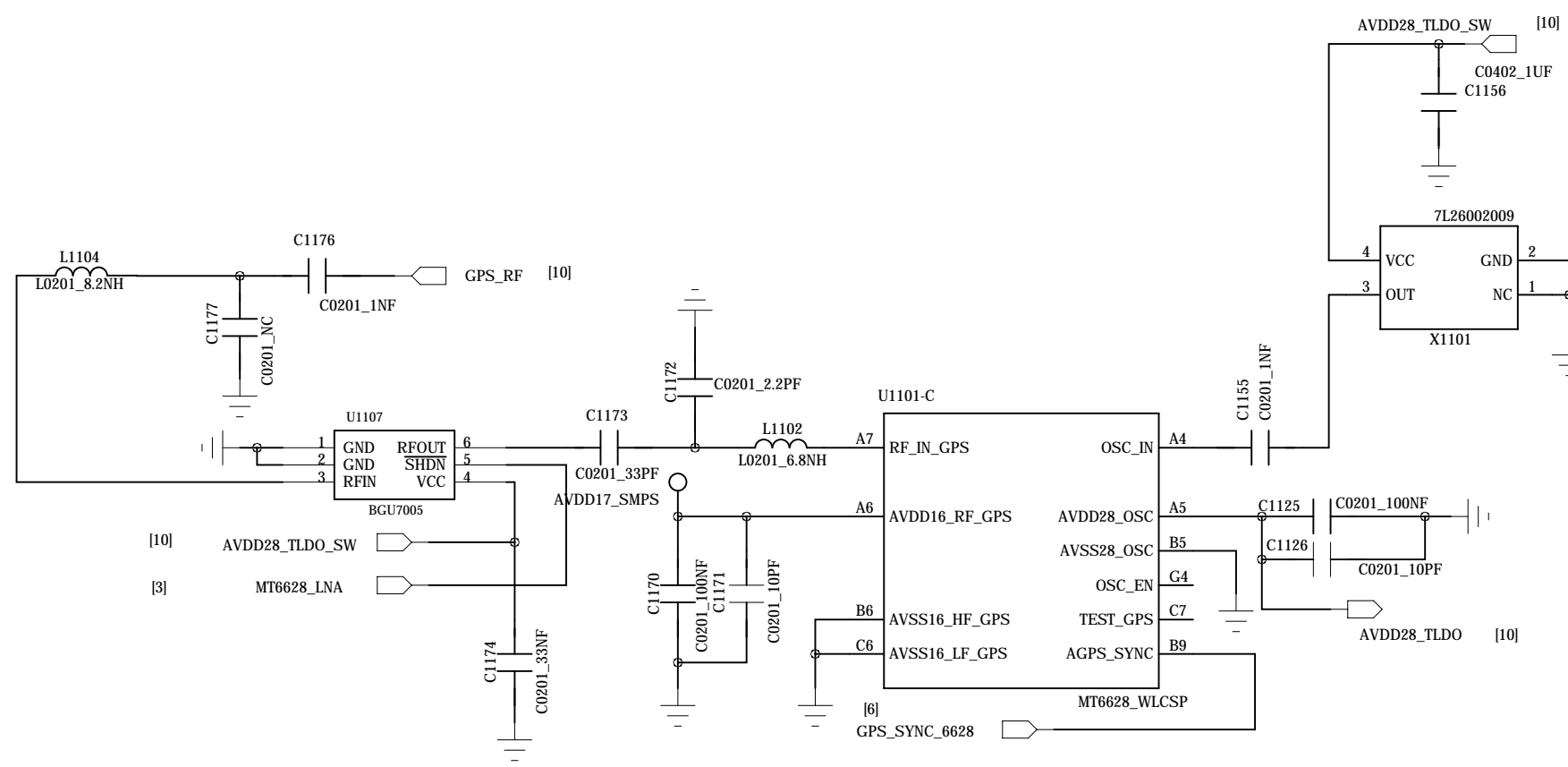
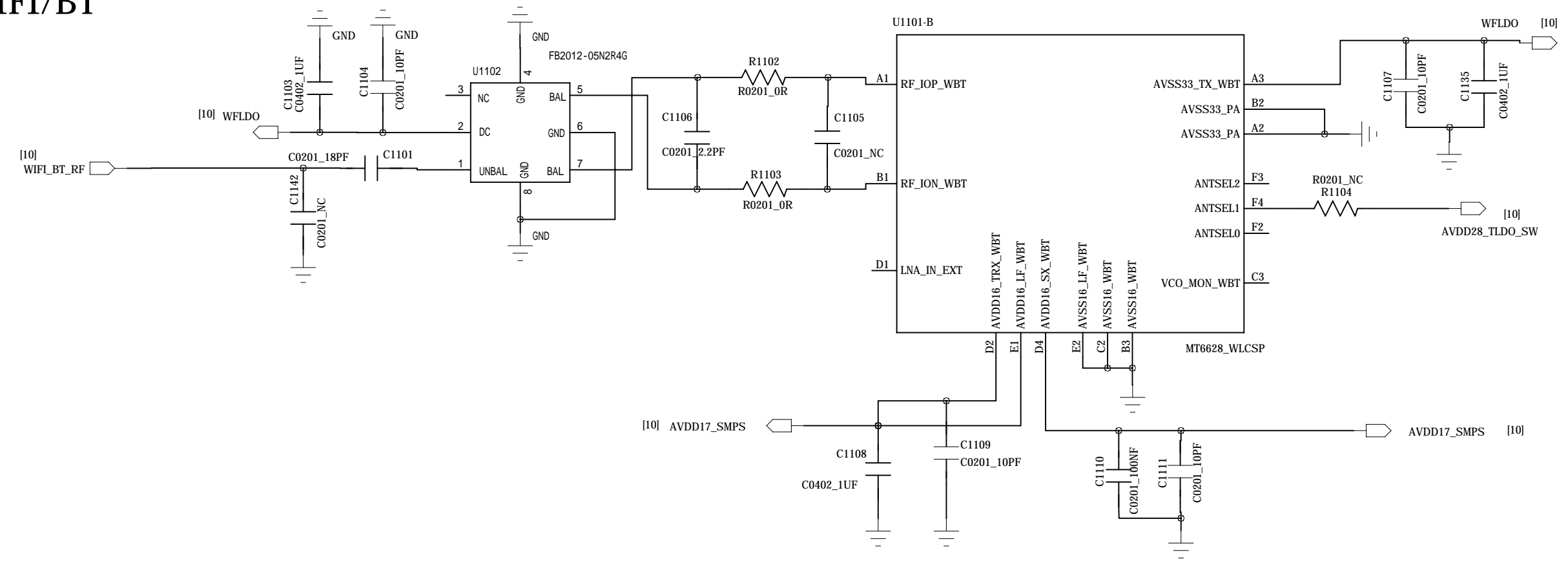


need confirm



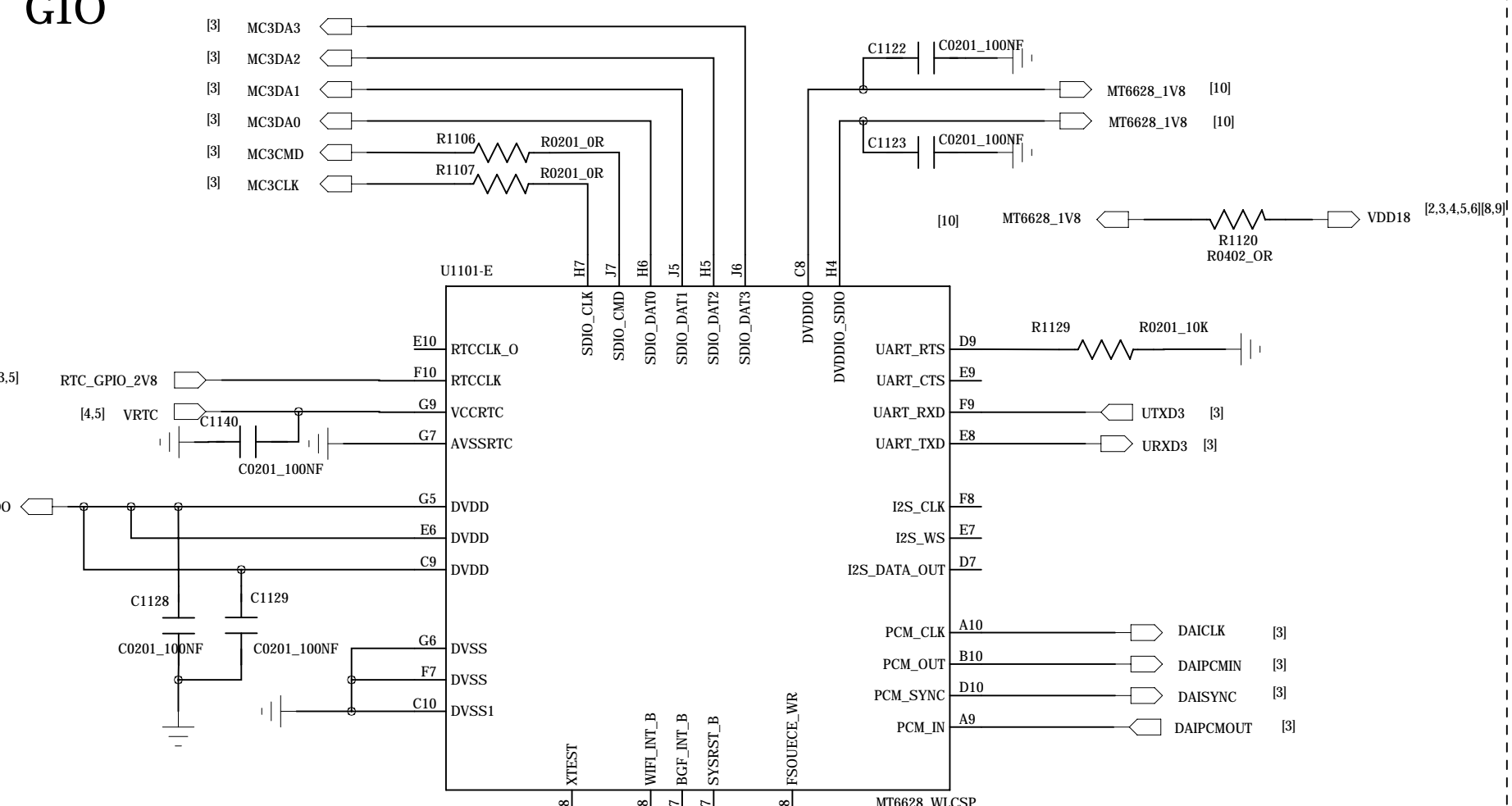
<b>HUAQIN</b>				MODEL:		DRAWING NO.:	
DRAWN:		DATED		TITLE:		VERSION:	
CHECKED		DATED					

### WIFI/BT

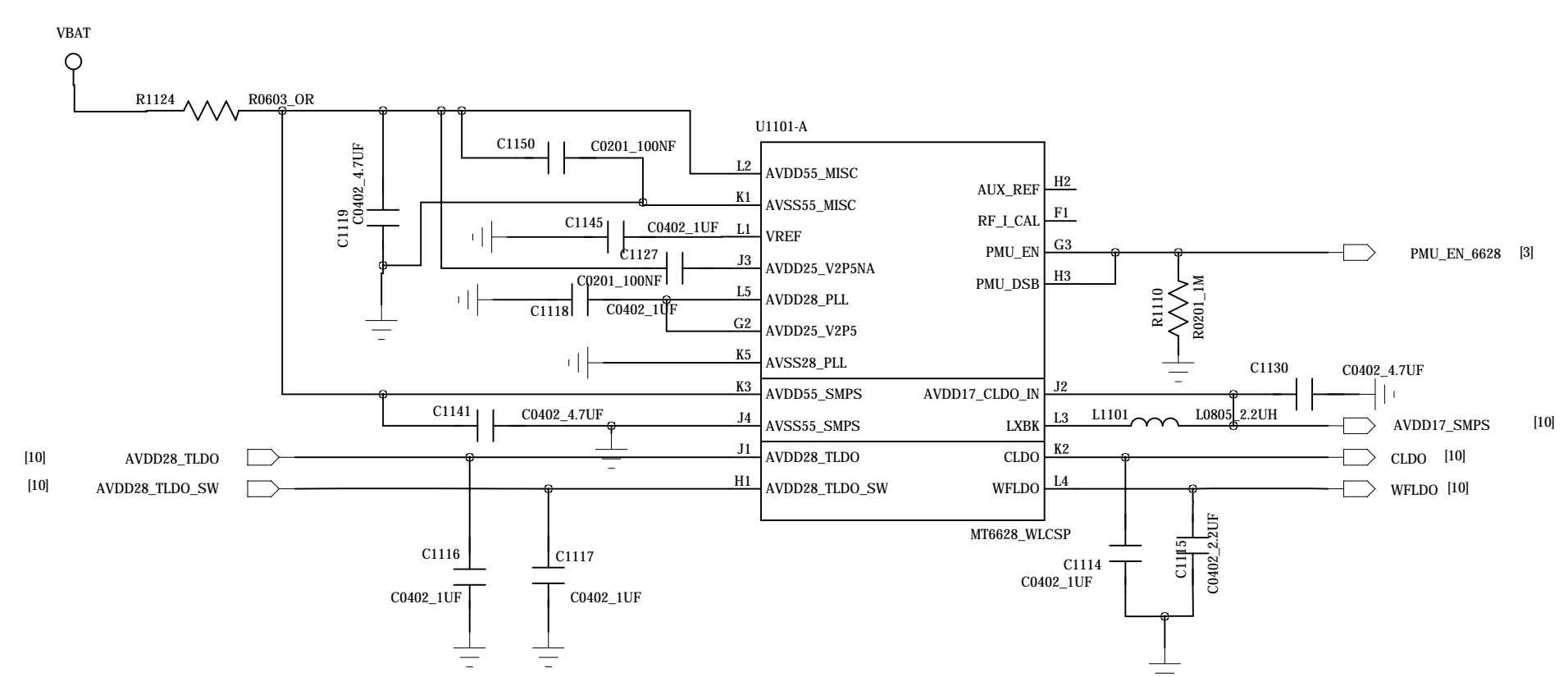


### GIO

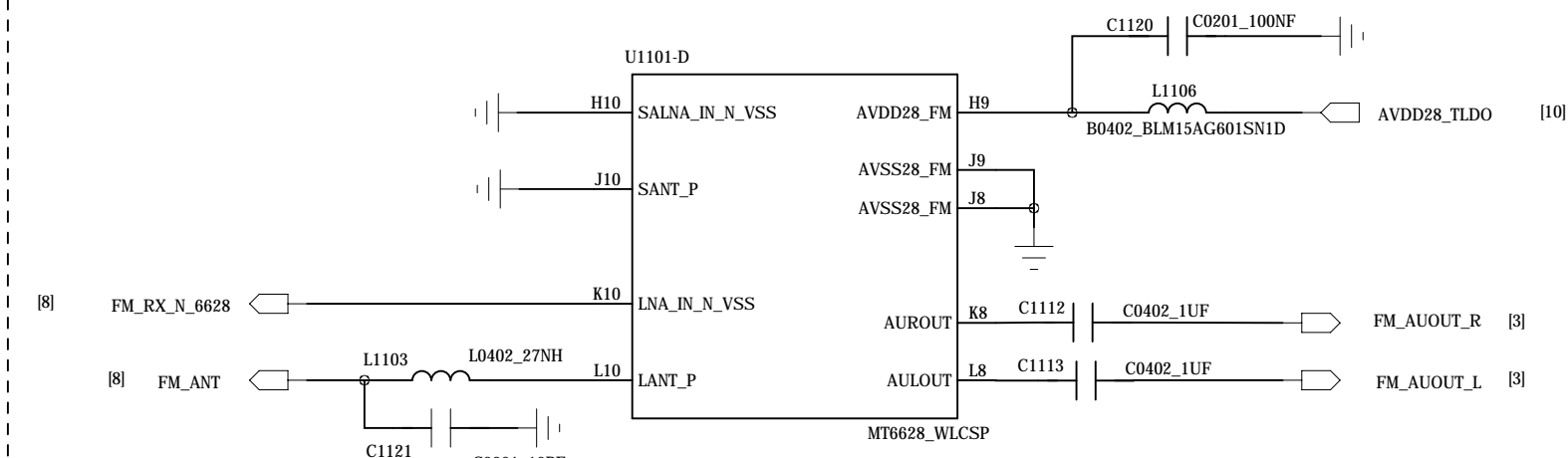
If DVDDIO\_SDIO=1.8V, please change SDIO driving level from level\_0 to level\_4 by SW



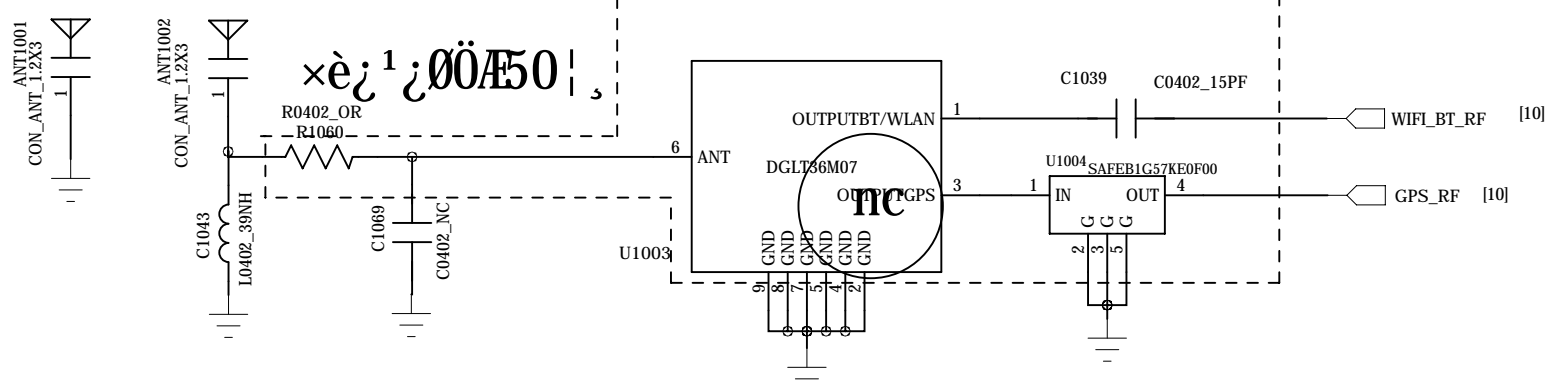
### Power



### FM



### ANT



Clock Setting		XTEST	EEDI	ANTSEL_3	
	2.8V TCXO or OSC	0	0	0	Default
	1.8V TCXO or OSC	0	1	0	
	external clock mode	0	0	1	

WIFI host Interface		XTEST	ANTSEL_2	ANTSEL_1	
	WIFI:SDIO1	0	0	0	Default
	WIFI:SDIO2	0	0	1	
	WIFI:SPI	0	1	0	
WIFI:reserved	0	1	1		

BT/common host interface		XTEST	ANTSEL_0	
	UART1	0	0	Default
SDIO2	0	1		

# HUAQIN

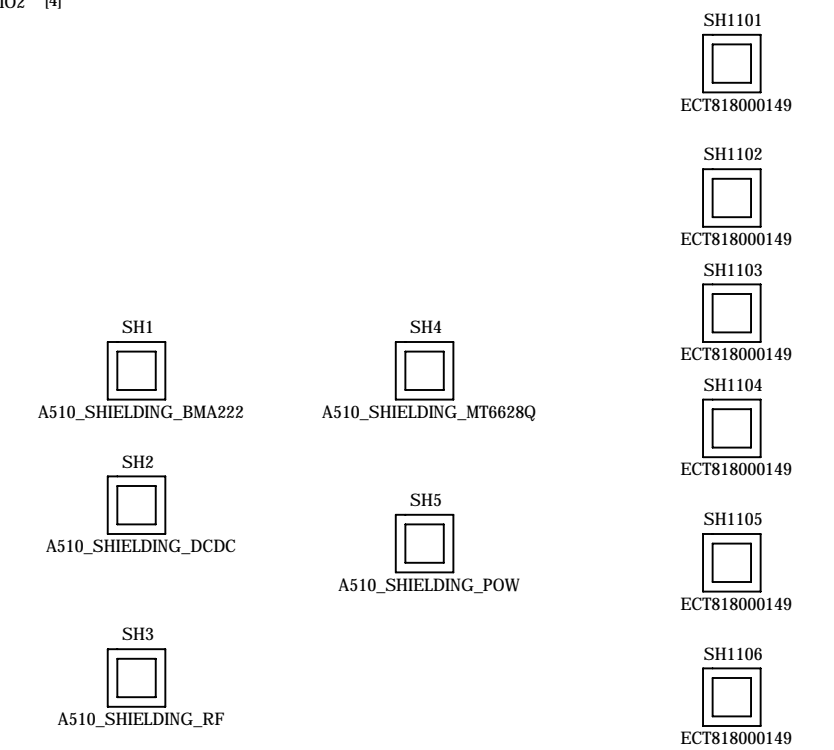
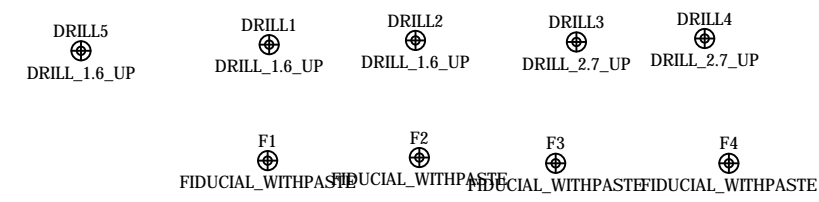
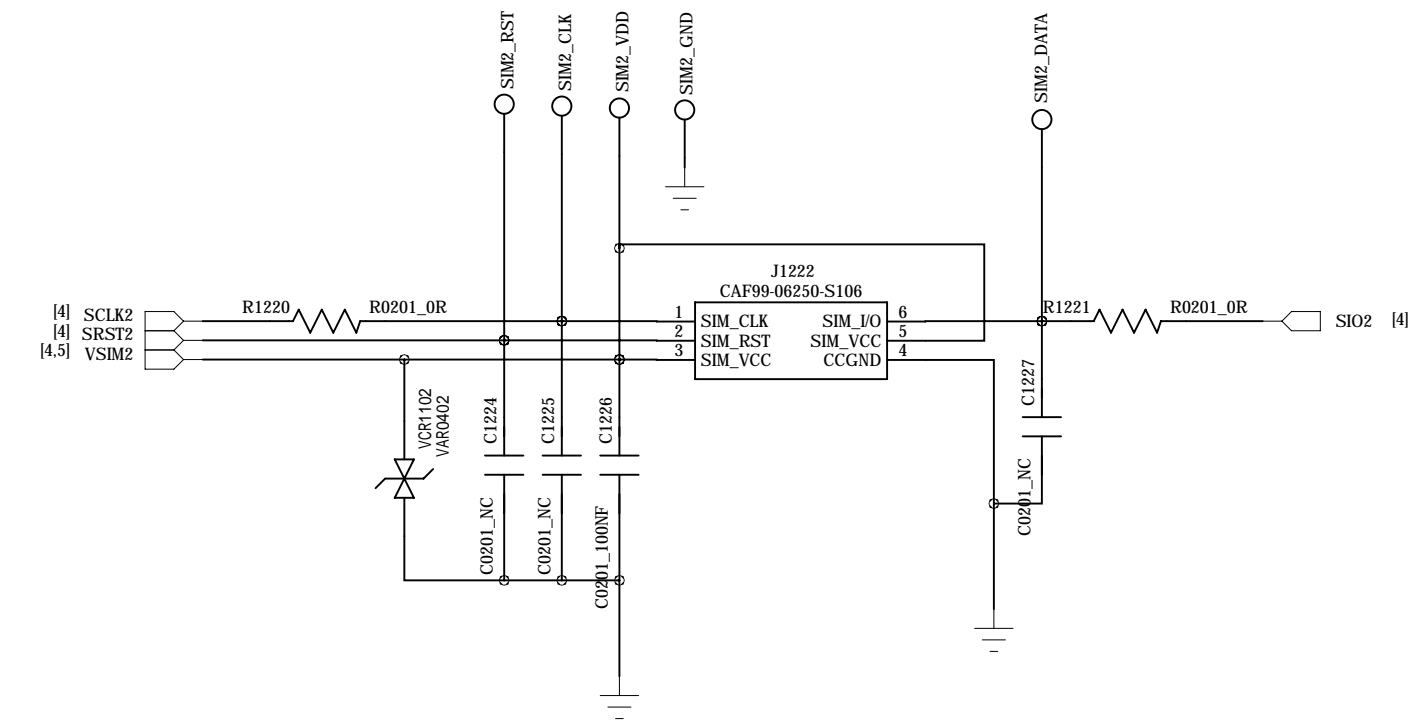
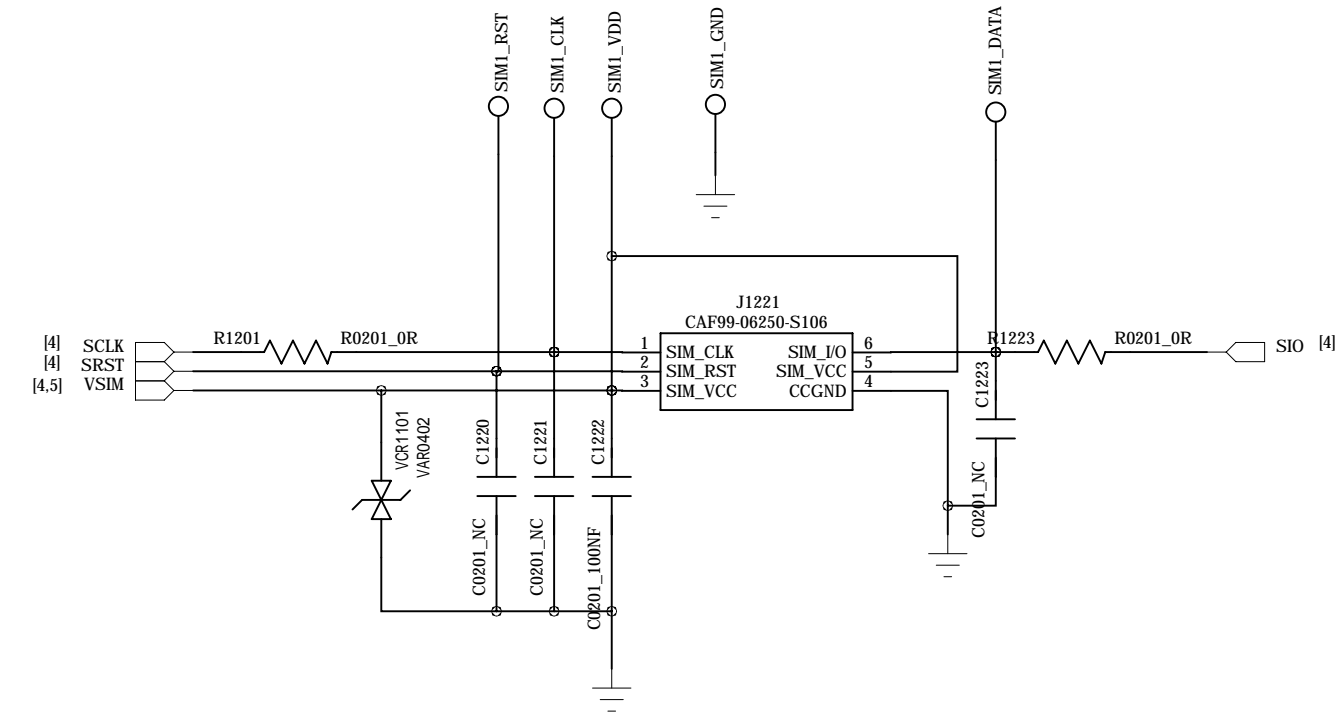
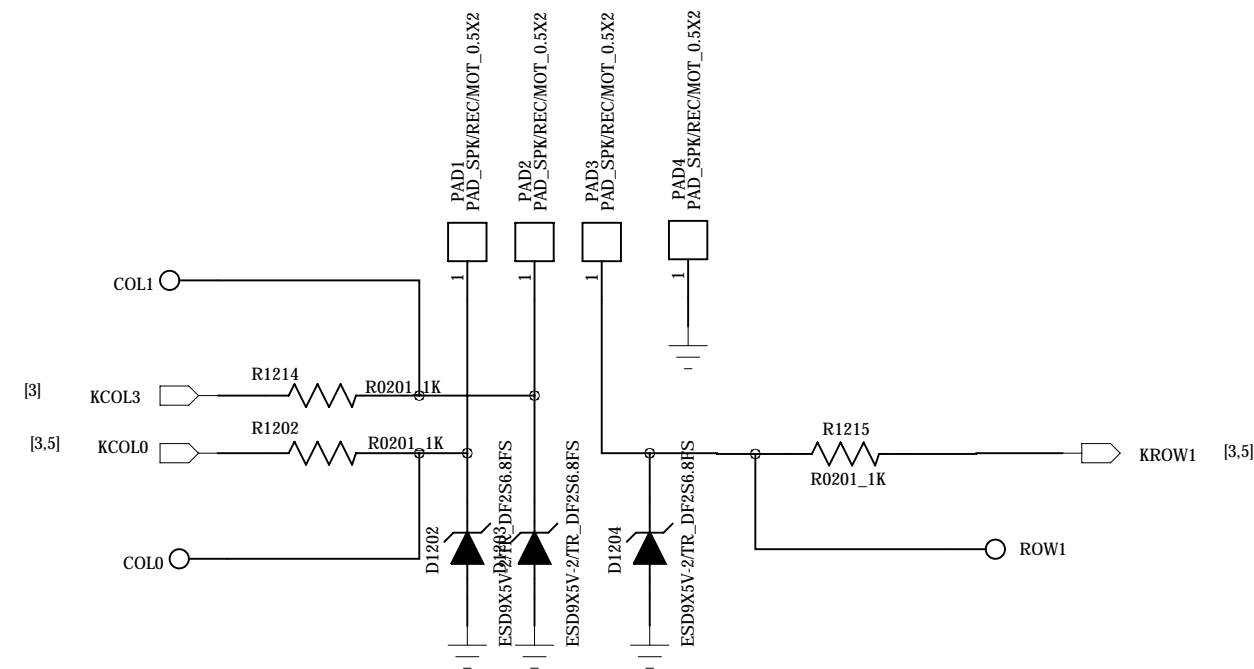
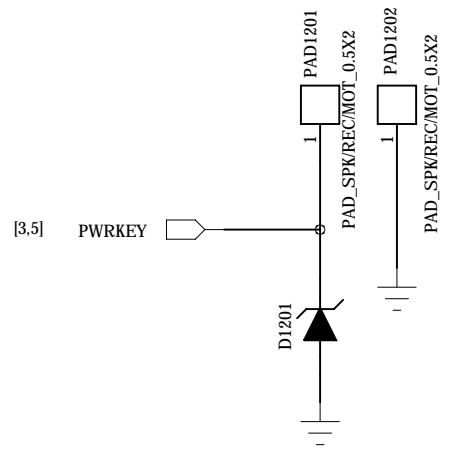
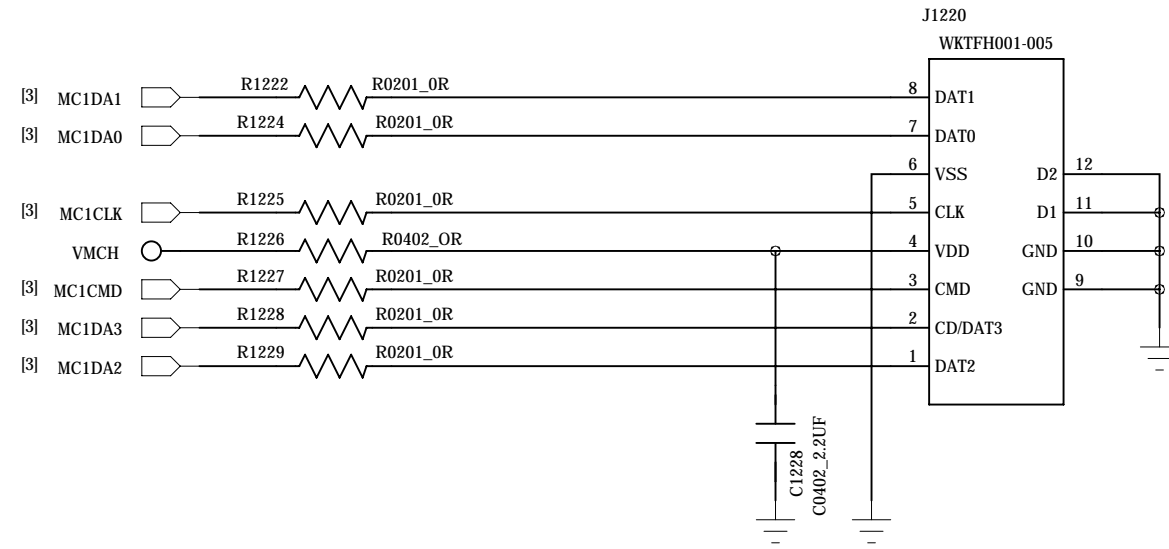
DRAWN:	yizhongyong	DATED	
CHECKED		DATED	

MODEL:  
TITLE:

DRAWING NO.:  
VERSION:  
SHEET:

DGLT36M07---> LTD-2520-1G5H6-A2

\*\*\* New Part \*\*\*



HUAQIN

MODEL:

DRAWING NO.:

DRAWN  
CHECKED

DATED  
DATED

TITLE:

VERSION:

SHEET: 12/12