

# MDP-A1/600

## RMT-M19A/M19B

# SERVICE MANUAL

*US Model*  
*Canadian Model*  
 MDP-600  
*E Model*  
*Tourist Model*  
*PX Model*  
 MDP-A1



Photo : MDP-A1

### SPECIFICATIONS

Type  
 Signal readout  
 Signal format system  
 Playing time

CD/CDV/LD Player  
 Optical (Laser beam reflection)  
 EIA standard, NTSC color system  
 (minutes)

LD	CAV	30 cm (12 in) double-sided	60
		20 cm (8 in) double-sided	28
		20 cm (8 in) single-sided	14
	CLV	30 cm (12 in) double-sided	120
		20 cm (8 in) double-sided	40
		20 cm (8 in) single-sided	20
CD	12 cm (5 in) single-sided	74	
	8 cm (3 in) single-sided	20	
CDV	Audio portion	20	
	Video portion	5	
VSD	Video portion	5	

#### Video specifications

Horizontal video resolution 425 lines  
 Signal-to-noise ratio More than 50 dB

#### Input/output specifications

Video output 1, 2 1.0 Vp-p, 75 ohms, unbalanced  
 Audio output 1, 2 Stereo L, R  
 Analog: 200 mVrms (1 kHz, 40% modulation)  
 Digital: 200 mVrms (1 kHz, -20 dB)  
 S video output 1, 2 Luminance: 1 Vp-p, 75 ohms, unbalanced, sync negative  
 Chrominance: 0.286 Vp-p, 75 ohms, unbalanced  
 Audio digital output (optical) -18 dBm, wavelength 660 nm  
 Headphone output 12 mW (8 ohms)  
 Impedance = 8 ohms  
 CONTROL S IN Mini jack  
 Mic jack Standard jack  
 1mV (Impedance below 1 kilohm)

\* Measured according to EIAJ (Electronic Industries Association of Japan) standards.

— Continued on next page —

#### Digital audio specifications

Frequency response 4 Hz to 20kHz ( $\pm 0.3$  dB)  
 Signal-to-noise ratio More than 115 dB (EIAJ)\*  
 Dynamic range More than 99 dB (EIAJ)  
 Wow and flutter Below measurement limit ( $\pm 0.001\%$  W.PEAK) (EIAJ)



CD VIDEO CD/CDV/LD PLAYER  
**SONY**®

### Power requirements

Power requirements	US, Canadian models: 120 V AC, 60Hz Other models: 120/220/240 V AC adjustable, 50/60 Hz
Power consumption	36 W
Mass	9.5 kg
Dimensions	Approx. 430 × 115 × 420.5 mm (w/h/d)
Operating temperature	+5°C to +35 °C
Ambient humidity	5% to 90%

### Remote Commander RMT-M19A/M19B



Principle of operation	Infrared pulse
Power requirements	3 V DC (2 size AA batteries)
Dimensions	Approx. 68 × 38 × 200 mm (w/h/d)
Mass	Approx. 175 g (including batteries)

### Supplied accessories


Remote Commander RMT-M19A (1) (US/Canadian/E/Tourist models)  
Remote Commander RMT-M19B (1) (PX model)  
Size AA (R6) batteries (2)  
Audio/Video cable (phono plug 3↔phono plug 3) (1)  
AC power cable (1)  
AC plug adaptor (1)

Design and specifications are subject to change  
without notice.

#### SAFETY-RELATED COMPONENT WARNING!!

COMPONENTS IDENTIFIED BY MARK  OR DOTTED LINE WITH MARK  ON THE SCHEMATIC DIAGRAMS AND IN THE PARTS LIST ARE CRITICAL TO SAFE OPERATION. REPLACE THESE COMPONENTS WITH SONY PARTS WHOSE PART NUMBERS APPEAR AS SHOWN IN THIS MANUAL OR IN SUPPLEMENTS PUBLISHED BY SONY.

#### ATTENTION AU COMPOSANT AYANT RAPPORT À LA SÉCURITÉ!

LES COMPOSANTS IDENTIFIÉS PAR UNE MARQUE  SUR LES DIAGRAMMES SCHÉMATIQUES ET LA LISTE DES PIÈCES SONT CRITIQUES POUR LA SÉCURITÉ DE FONCTIONNEMENT. NE REMPLACER CES COMPOSANTS QUE PAR DES PIÈCES SONY DONT LES NUMÉROS SONT DONNÉS DANS CE MANUEL OU DANS LES SUPPLÉMENTS PUBLIÉS PAR SONY.

#### WARNING !!

WHEN SERVICING, DO NOT APPROACH THE LASER EXIT WITH THE EYE TOO CLOSELY. IN CASE IT IS NECESSARY TO CONFIRM LASER BEAM EMISSION, BE SURE TO OBSERVE FROM A DISTANCE OF MORE THAN 25 cm FROM THE SURFACE OF THE OBJECTIVE LENS ON THE OPTICAL PICK-UP BLOCK.

#### CAUTION:

The use of optical instrument with this product will increase eye hazard.

#### CAUTION

Use of controls or adjustments or performance of procedures other than those specified herein may result in hazardous radiation exposure.

## SAFETY CHECK-OUT

After correcting the original service problem, perform the following safety checks before releasing the set to the customer:

1. Check the area of your repair for unsoldered or poorly-soldered connections. Check the entire board surface for solder splashes and bridges.
2. Check the interboard wiring to ensure that no wires are "pinched" or contact high-wattage resistors.
3. Look for unauthorized replacement parts, particularly transistors, that were installed during a previous repair. Point them out to the customer and recommend their replacement.
4. Look for parts which, though functioning, show obvious signs of deterioration. Point them out to the customer and recommend their replacement.
5. Check the line cord for cracks and abrasion. Recommend the replacement of any such line cord to the customer.
6. Check the B+ voltage to see it is at the values specified.
7. Check the antenna terminals, metal trim, "metallized" knobs, screws, and all other exposed metal parts for AC leakage. Check leakage as described below.

### LEAKAGE TEST

The AC leakage from any exposed metal part to earth ground and from all exposed metal parts to any exposed metal part having a return to chassis, must not exceed 0.5 mA (500 microampers). Leakage current can be measured by any one of three methods.

1. A commercial leakage tester, such as the Simpson 229 or RCA WT-540A. Follow the manufacturers' instructions to use these instruments.
2. A battery-operated AC milliammeter. The Data Precision 245 digital multimeter is suitable for this job.
3. Measuring the voltage drop across a resistor by means of a VOM or battery-operated AC voltmeter. The "limit" indication is 0.75 V, so analog meters must have an accurate low-voltage scale. The Simpson 250 and Sanwa SH-63Trd are examples of a passive VOM that is suitable. Nearly all battery operated digital multimeters that have a 2V AC range are suitable. (See Fig. A)

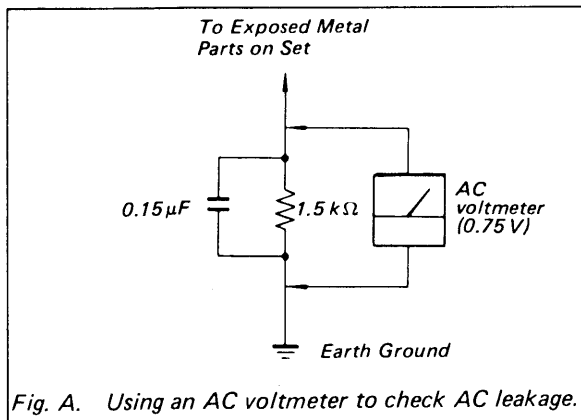


Fig. A. Using an AC voltmeter to check AC leakage.

## TABLE OF CONTENTS

<u>Section</u>	<u>Title</u>	<u>Page</u>	<u>Section</u>	<u>Title</u>	<u>Page</u>
1.	GENERAL		5.	EXPLODED VIEWS	
	Introduction .....	5	5-1.	Upper Case, Front Panel Assemblies .....	101
	Installation and Connection .....	7	5-2.	Chuck Frame Assembly .....	102
	To Play a Laser Discs .....	9	5-3.	Sub Front Panel Assembly .....	103
	To Play a Compact Disc .....	15	5-4.	Chassis Assembly .....	104
	To Play a Compact Disc Video .....	19	5-5.	MD Chassis Assembly .....	105
	To Play Any Disc .....	20			
	To Play Karaoke .....	23	6.	ELECTRICAL PARTS LIST .....	106
2.	DISASSEMBLY			Hardware List .....	125
2-1.	Upper Case, Front Panel Assembly .....	24	7.	ELECTRICAL ADJUSTMENTS	
2-2.	MB-702 Board .....	24	7-1.	List of Servicing Jigs .....	128
2-3.	Chucking Assembly .....	25	7-2.	Cautions on Adjustment .....	128
2-4.	MD Assembly .....	25	7-3.	Operation of the MDP-A1/600 with Hidden Key Functions .....	128
2-5.	Putting Out Disc When a Problem Has Occurred With the Disc Loaded .....	26	7-4.	Operation of the MDP-A1/600 in the Service Mode .....	127
2-6.	Front Panel Assembly Fitting .....	26	7-5.	Operation of the MDP-A1/600 in the Debugging Mode .....	130
2-7.	Tray Assembly Insertion .....	27	7-6.	Power Supply Check .....	137
3.	DIAGRAMS		7-7.	System Control System Adjustment .....	137
3-1.	Circuit Boards Location .....	27	7-7-1.	Microprocessor Clock Adjustment .....	137
3-2.	Overall Block Diagram .....	28	7-8.	Servo System Adjustment .....	137
3-3.	Servo Block Diagram .....	30	7-8-1.	Side A Tilt Balance Adjustment .....	137
3-4.	MB-702 Board IC501 MB89094 Pin Function .....	32	7-8-2.	Side B Tilt Balance Adjustment .....	138
3-5.	System Control Block Diagram .....	33	7-9.	Video System Adjustment .....	138
3-6.	Video Block Diagram .....	35	7-9-1.	Video Output Level Adjustment .....	138
3-7.	Audio Block Diagram .....	37	7-10.	Parts Arrangement Diagram for Adjustments .....	140
3-8.	Mode Control Block Diagram .....	39			
3-9.	FP-717 Board IC201 MB89095 Pin Function .....	41			
3-10.	Power Supply Block Diagram .....	42			
4.	PRINTED WIRING BOARDS AND SCHEMATIC DIAGRAM				
4-1.	Frame Schematic Diagram .....	45			
4-2.	Printed Wiring Boards and Schematic Diagrams .....	49			
	MB-702 (RF Amplifier, Servo), BI-701, FG-701, MD-701 MT-701, TE-701 Boards .....	50			
	MB-702 (Video) Board .....	60			
	MB-702 (System Control), FP-717, MT-702, PW-705, SW-716, SW-719 Boards .....	70			
	MB-702 (Audio), MI-701, HP-711 Boards .....	80			
	MB-702 (Power Supply), PS-709, TR-709 Boards .....	90			
4-3.	Semiconductors .....	100			

## Introduction

This introduction explains the organization of this manual and the principles of operation of the Multi Disc Player (MDP).

## About These Instructions

Consumer electronics manuals have been notorious for being hard to comprehend. Having recognized this fact, we have made an attempt with this manual to avoid the usual pitfalls by trying to not pretend that the equipment being described is as simple as a bread toaster. Most likely this is your first Multi Disc Player and may be the only one you will own. With that in mind, we have striven to write the instructions in straight-forward English while trying to keep the procedures simple and systematic.

Because the Multi Disc Player is capable of playing laser discs (LDs), compact discs (CDs), and compact disc videos (CDVs), these instructions are divided into the equivalent of three "manuals"—one for each type of disc—with a fourth section providing instructions common to all discs and the fifth section for enjoying Karaoke.

The following summarizes what you'll find in this manual.

### To Play a Laser Disc (LD)

This section covers all functions associated with playing LDs (page 13). Unique to LD play are STILL/STEP, MULTI SPEED play, MEMORY play and FRAME/TIME search. The MDP-A1 allows you to playback both sides of an LD without replacing it. The LD Quick Start function shortens the waiting time before an LD starts playing.

### To Play a Compact Disc (CD)

This section explains the operation of CDs and compares most closely to CDV audio operations (page 25).

### To Play a Compact Disc Video (CDV)

This section covers procedures for CDV operation and shares many functions with CD play (page 32). There are no functions unique to CDV play in this Multi Disc Player.

## What to Do First

Once you have read through this page, read "Principles of Operation" (page 6), then go ahead and connect up the Multi Disc Player to your television and/or stereo system using the connection diagrams on pages 11 and 12. After you have done this, you will be ready to play a disc. We suggest an LD or CD. Begin with the section, "How to Load and Play an LD (or a CD)."

## About Operating Voltage

Before operating the Multi Disc Player, make sure that the operating voltage of your unit is identical with that of your local power supply.

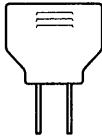
### How to Determine the Correct Operating Voltage

- Before operating the unit, find out the local voltage, and if necessary reset the selector at the rear of the Multi Disc Player to the voltage corresponding to your local power supply (120, 220 or 240 volts AC). The voltage selector of this unit is set to 220 V AC originally. When using in Malaysia, reset the selector to 240 V AC.
- To reset the voltage selector, disconnect the power cord and turn the selector with a blade screwdriver so that the arrow on the rear panel points to the appropriate voltage.



### How to Use the AC Power Plug Adaptor

- If the AC plug on your Multi Disc Player does not fit into the wall outlet, attach the supplied AC plug adaptor.



If you have any questions or problems concerning your unit, please contact your nearest Sony dealer.

# SECTION 1 GENERAL

This section is extracted from instruction manual.

## The Principles of Operation

Beyond the play of discs, the functions of the Multi Disc Player range from simple to advanced. Some functions vary depending on what type of disc (laser disc, compact disc, or compact disc video) you are playing. Nevertheless, keep in mind that the majority of the buttons have been designed to achieve a comparable effect for each type of disc you are playing. Therefore, the following paragraphs can briefly summarize what the basic Multi Disc Player functions allow you to do. (Control names that differ from the function name appear in uppercase letters.)

### Primary Functions

are so-called because they entail the traditional functions of all disc players.

### Variable Speed

group operations according to the fact that they let you vary play speed, therefore, easily locate ("search") scenes or tracks as you watch or listen.

### Repeatable Functions

are memory functions that let you play selections repeatedly, according to a play list or randomly. Playback can be started from the point you stopped. Because the system finds and plays selections according to your request, some repeatable functions also serve as "search" functions.

### Auxiliary Functions

are additional functions that simply add to what you can do with the Multi Disc Player.

### Primary Functions

Power  
Open/Close  
Play  
Pause  
Stop  
Side A (B)

### Variable speed Functions

Variable Speed Scan  
(SHUTTLE RING)  
Still/Step Scan  
(STILL/STEP)  
Variable Speed Play  
(MULTI SPEED,  
SPEED SET)

### Repeatable Functions

Pre-Programmed Play  
(AUTO PGM, PGM)  
Intro Scan (INTRO)  
Random Play  
(SHUFFLE)  
Chapter/Track Search  
(ACS/AMS)  
Frame/Time Search  
(FRAME/TIME)  
Memory Play  
(MEMORY PLAY)  
Auto Pause  
(AUTO PAUSE)  
Repeat Play  
(1/SIDE/ALL, REPEAT,  
REPEAT A↔B)

### Auxiliary Functions




Picture Enhance Functions:  
(PICTURE ENHANCE)  
Sound Quality Functions:  
(AUDIO MONITOR,  
ANALOG, CX)  
On-Screen Display  
(DISPLAY)  
Audio/Video Time Counter  
(AV TIME)  
Karaoke Functions:  
(ECHO/MIC LEVEL)

## Introduction to Your Player

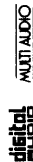
The MDP-A1 Multi Disc Player integrates the functions of three machines into one: laser disc, compact disc, and compact disc video player. The entertainment potential afforded by the combined capabilities of this multi-faceted machine amounts to some 40 to 45 functions. Below follows an explanation of the kinds of discs the Multi Disc Player plays.

### The MDP-A1 Plays Three Classes of Optical/Digital Discs\*

The MDP-A1 Multi Disc Player plays all three types of optical discs currently available for home entertainment. The following table illustrates their types and features.

Disc Class	Disc Logo	Disc Type	Size	Play Side	Play Time
Laser Discs For movies, operas, and concerts		LD Single	8 in. (20 cm)	Single Side	CAV 14 min CLV 20 min
		8-inch LD	8 in. (20 cm)	Double Side	CAV 28 min CLV 40 min
		12-inch LD	12 in. (30 cm)	Double Side	CAV 1 hr CLV 2 hr
Compact Discs For music		CD Single	3 in. (8 cm)	Single Side	20 min
		CD	5 in. (12 cm)	Single Side	74 min
Compact Disc Videos For music videos and educational material (Digital Audio)		CDV	5 in. (12 cm)	Single Side	Video+Audio 5 min Audio 20 min
		VSD	5 in. (12 cm)	Single Side	Video + Audio 5 min

### Multi Audio Discs



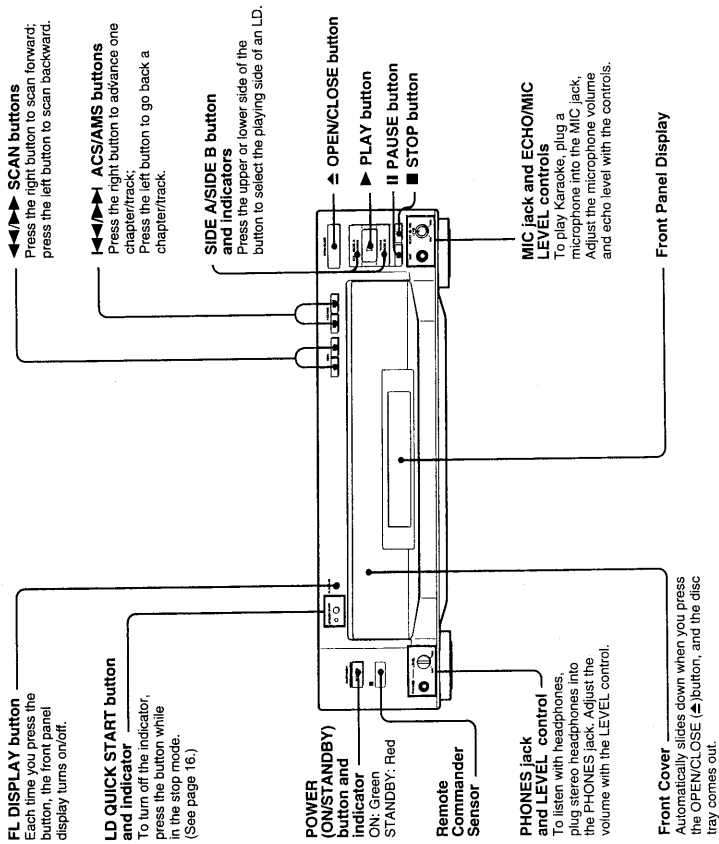
On laser discs bearing this logo, the analog tracks are recorded in multiplex, and the digital tracks are recorded in stereo.

\* These apply only to those discs recorded in the NTSC standard. The MDP-A1 cannot play CED, VHD discs or PAL video discs, CD-ROM, CD-Graphics, CD-I discs or aluminum-lined discs.

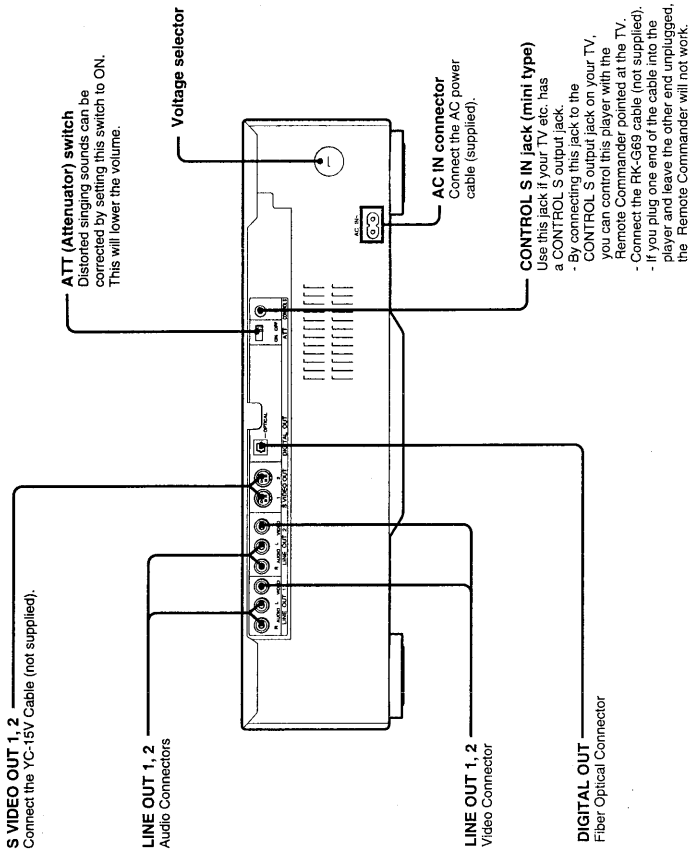
# Installation and Connection

## Front and Rear Panel Controls and Supplied Accessories

### Front Panel

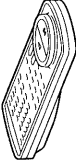





### Rear Panel



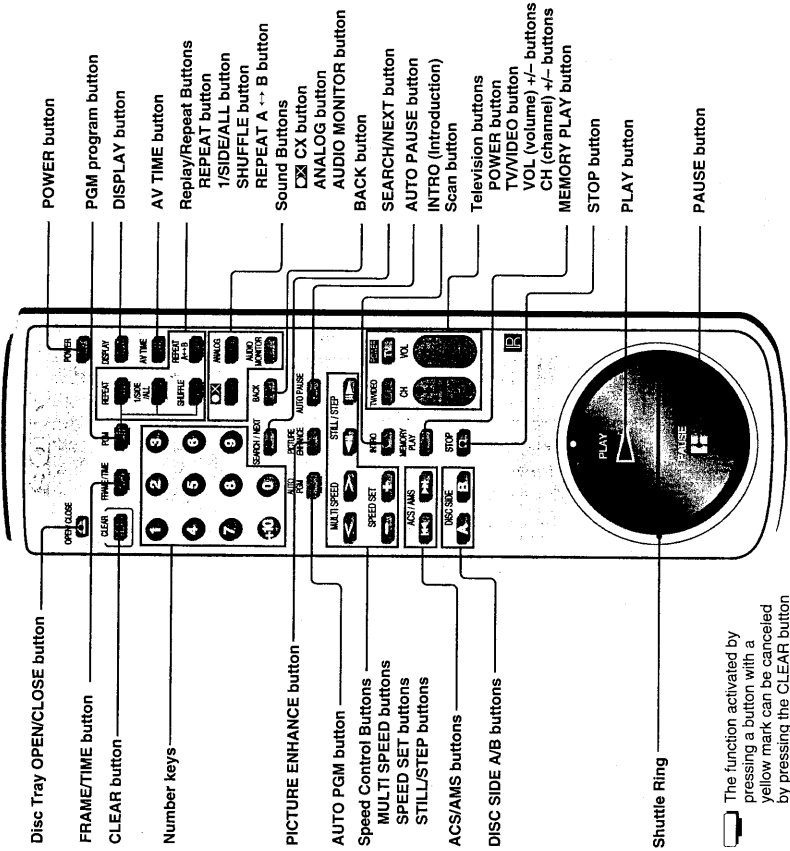
### Accessories

Make sure the shipping box contains the following accessories:

- RMT-M19A Remote Commander** 
- AC power cable** 
- Audio/Video connecting cable (phono 3 ↔ phono 3)** 
- Two AA (R6) batteries** 
- AC plug adaptor (See page 4.)**

## Controls on the Remote Commander

You can use the Remote Commander (Remote) to control the player or the identical buttons on the player itself.



## To Activate the Remote Commander

Open the back cover, and insert two size AA (R6) batteries according to the polarity indicated in the illustration. The batteries will last for about 6 months. If the range of the Remote Commander becomes noticeably short, replace all the batteries with new ones. If the Remote Commander is not to be used for a long time, remove the batteries to avoid damage from possible battery leakage.

## Remote Commander Precautions

- Do not let sunlight or powerful artificial light fall directly on the Remote Commander sensor on the front panel (of the player) as it may interfere with Remote Commander operation.
- Use size AA (R6) batteries only.

## Connecting Precautions:

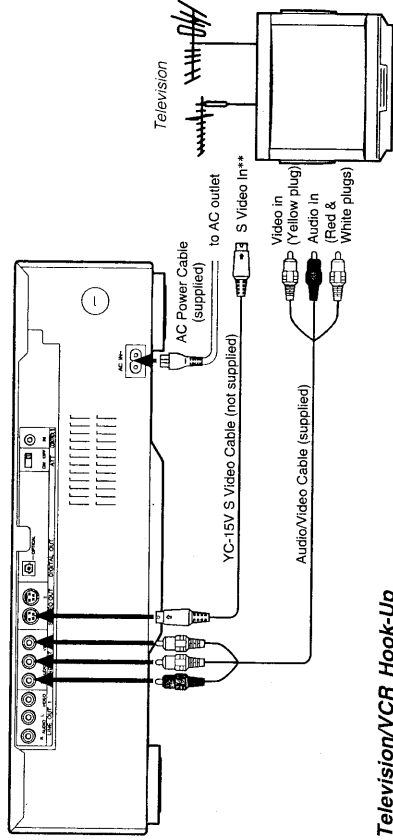
- Make sure all equipment is turned off before connecting or disconnecting any cables.
- Connection methods may differ; when in doubt about a connection consult the TV or VCR manufacturer's manual.
- If the sound or picture is disturbed by noise, try moving the equipment farther apart.
- Firmly insert plugs into the jacks. A loose connection may cause noise.
- To prevent later interference with TV broadcast reception, turn off all equipment connected but not currently in use.

\* If the TV only has a monaural phono jack for audio input, use a VMC-910MS/915MS Connecting Cable (not supplied).  
 \*\* If your TV has an S Video Input jack, obtain a YC-15V S Video Connecting Cable, and use this instead of the supplied video cable to connect your television to the S VIDEO OUT connector on the Multi Disc Player.

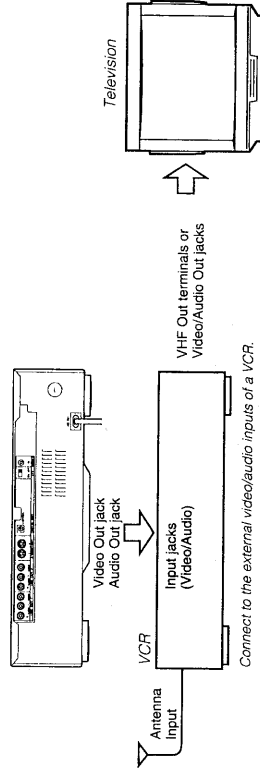
## How to Connect the Television

To play LDs or DVDs, hook up a television to the Multi Disc Player. Take out the supplied audio/video connecting cable (yellow, red and white plugs). Use this to connect the player to the television.\* Once you have hooked-up the television, set the input selector on the TV to "Video." Before connecting or disconnecting any of the cables, turn off all equipment.

### Television Hook-Up



### Television/VCR Hook-Up



## Connecting Precautions:

- Make sure all equipment is turned off before connecting or disconnecting any cables.
- Connection methods may differ; when in doubt about a connection consult the TV or VCR manufacturer's manual.
- If the sound or picture is disturbed by noise, try moving the equipment farther apart.
- Firmly insert plugs into the jacks. A loose connection may cause noise.
- To prevent later interference with TV broadcast reception, turn off all equipment connected but not currently in use.

\* If the TV only has a monaural phono jack for audio input, use a VMC-910MS/915MS Connecting Cable (not supplied).  
 \*\* If your TV has an S Video Input jack, obtain a YC-15V S Video Connecting Cable, and use this instead of the supplied video cable to connect your television to the S VIDEO OUT connector on the Multi Disc Player.



## To Play a Laser Disc

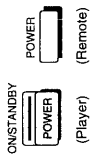
This section shows you how to conduct all the procedures associated with playing LDs.

### How to Load and Play an LD (Laser Disc)

After you have connected the Multi Disc Player to the TV and/or stereo system, you can begin playing a laser disc. Locate the POWER, OPEN/CLOSE, and PLAY buttons on the Remote Commander or the front panel of the player.

Do not transport the player while playing a disc as it may cause damage to the disc.

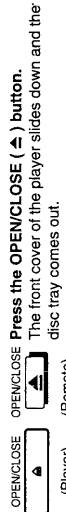
#### 1 Turn on the multi disc player.



#### 2 Turn on the TV and stereo system.

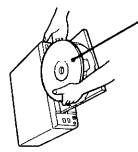
TV. Set the input selector on the TV to "Video", Stereo System. Turn on the amplifier or receiver and select CD or AUX for audio output.

#### 3 Open the disc tray.



#### 4 Place a disc on the tray.

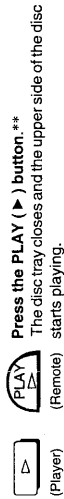
Carefully center a single disc on the tray. If you insert more than one disc, or if the disc is not seated properly, it may not play or it may damage the disc.



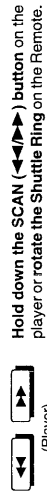
#### What is this indication?

This indication appears in the front panel display Side A\* when the tray is empty.

#### 5 Start playback.



#### To Advance or Reverse .....

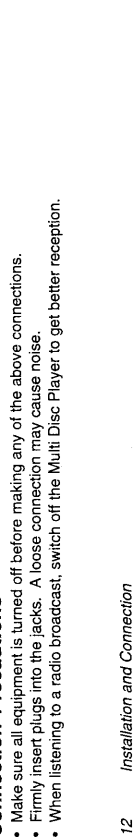


Hold down the SCAN (SCAN) button on the player or rotate the Shuttle Ring on the Remote.

#### To Advance or Go Back a Chapter at a Time .....



### Audio Equipment Hook-Up



### Connection Precautions

- Make sure all equipment is turned off before making any of the above connections.
- Firmly insert plugs into the jacks. A loose connection may cause noise.
- When listening to a radio broadcast, switch off the Multi Disc Player to get better reception.

## How to Connect Audio Equipment

To achieve full stereo sound from your Multi Disc Player, hook up a stereo system following the diagram below. Use an RK-C310 (or RK-C315) audio connecting cable (not supplied) to connect the Multi Disc Player to your amplifier or receiver. Before connecting or disconnecting any of the below cables, turn off all equipment.

### To Achieve Digital Sound

Digital sound recordings afford high quality sound reproduction. (see Glossary, page 44). If your amplifier also has a fiber optical connector, or if you have a D/A converter unit with optical input, according to the diagram below, connect the POC-15 Audio Fiber Optical Cable (not supplied) between the DIGITAL OUT connector on the Multi Disc Player and the amplifier or D/A converter. Note that digital signals are always output from the Multi Disc Player except when you play discs that are not digitally recorded. Such discs output analog sound from LINE OUT only. Sound from a microphone cannot be output from the DIGITAL OUT connector. To output sound from a microphone, connect the player to the amplifier with an Audio Cable (Red & White plugs).

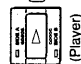
### Connection Precautions

- Make sure all equipment is turned off before making any of the above connections.
- Firmly insert plugs into the jacks. A loose connection may cause noise.
- When listening to a radio broadcast, switch off the Multi Disc Player to get better reception.

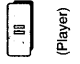
\* The player determines that the upper side of the disc is side "A," and the other side is "B," regardless of the label "A" or "B" printed on the disc.

\*\* When playback of the upper side of the disc (side A) ends, the other side (side B) starts playing automatically. If nothing is recorded on side B, playback stops.

**To Select the Disc Side** .....

 Press (DISC) SIDE A to play the upper side of the disc from the beginning.  
Press (DISC) SIDE B to play the other side of the disc from the beginning.\*

**To Interrupt Play** .....

 Press PAUSE (II). The sound mutes, and the picture freezes when playing a CAV disc.\*\* To resume playback, press PAUSE (II) or PLAY (▶).


**To Stop Playback** .....

 Press STOP (■). To play again from the beginning of the disc, press PLAY (▶).

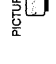
**To Stop Play and Remove the Disc** .....

 Press OPEN/CLOSE (◀▶). Remove the disc and press ▶ again to close the empty tray.

**To Have the Player Pause Before Starting** .....

 Press PAUSE (II) after doing step 4 on page 13. The tray closes and the player waits at the start of the disc until you press PLAY (▶) or PAUSE (II). If you want to play side B, press (DISC) SIDE B, then PAUSE (II).

**To Get Sharp/Soft Image** .....

 Press PICTURE ENHANCE on the TV screen (lower left-hand corner) for three seconds. Each time you press this button, the mode changes in the order of STANDARD, SHARP and SOFT.  
SOFT: Soft picture  
Reduces screen noise  
STANDARD: Standard picture  
SHARP: Sharp picture  
Refines the images  
Even if you turn off the power, the mode will remain stored in the player's memory. If you unplug the power cord, the mode will return to STANDARD.

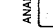
**To Play a Stereo LD or a Second Audio Program (SAP) LD** .....

 Press PLAY (▶), then press the AUDIO MONITOR button on the Remote. This function alternates the sound output on a disc that has been recorded on two sound tracks, such as bilingual discs.  
(Player or Remote) (Remote)

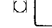
The procedure below indicates how the output and the display changes with each press. The active track appears for three seconds on the TV screen. It always appears in the front panel display.

Procedure	Screen message	Stereo Disc	Output Sound	SAP Disc
1 Press PLAY (▶).	No message	Stereo (Both channels)	Soundtrack 1 (left channel) Soundtrack 2 (right channel)	
2 Press AUDIO MONITOR.	1/L	Left channel	Soundtrack 1 (left channel)	
3 Press AUDIO MONITOR again.	2/R	Right channel	Soundtrack 2 (right channel)	
4 Press AUDIO MONITOR again to return to stereo status.	1/L 2/R	Stereo (Both channels)	Soundtrack 1 (left channel) Soundtrack 2 (right channel)	

**To Switch from Digital to Analog Sound** .....

 Press the ANALOG button on the Remote to switch the player to analog or digital sound. Digital affords a better quality sound reproduction. If the LD contains a digital sound signal, the player automatically sends that output to the amplifier or receiver. When you press the ANALOG button on the Remote, you can switch to analog sound. To return to digital sound, press the ANALOG button again. With certain discs there may be a difference in volume.

**Discs with a (CX) Label** .....

 Discs bearing the (CX) label are recorded with the CX noise reduction system, which gives lower noise levels and higher dynamic range on analog sound. The player detects most (CX) discs and activates the CX noise reduction system automatically. Press the (CX) button on the Remote. "CX ON" will appear on the TV screen for three seconds. When playing a (CX) disc which does not contain a code to activate the CX noise reduction system, press the (CX) button. "CX ON" will appear and the noise reduction system will be activated.

\* When playback of side B ends, the player stops playing.  
\*\* When playing a CLV disc, the TV screen goes blank.

## Understanding Displays and Messages When Playing LDs

You can determine player operating status or disc information in one of two ways: (1) by displaying the information on the TV screen, or (2) by looking at the front panel display. Locate the DISPLAY button on the Remote Commander.

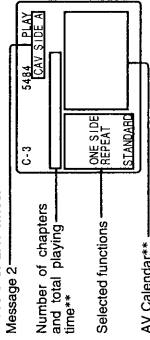
### To View On-Screen Information...



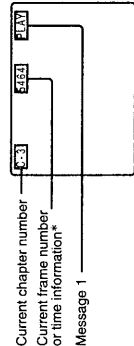
#### Press DISPLAY on the Remote.

Each time you press DISPLAY, messages appear on the TV screen as shown below. The tables below are keys to the messages that appear on the right of the screen.

#### Press DISPLAY twice.



#### Press DISPLAY once.



#### Message 1 (Examples)

Screen Display	Current Status of the Player
OPEN	Disc tray open
CLOSE	Disc tray closed
PLAY	Playing LD
STOP	Operation stopped
PAUSE	Operation momentarily stopped
SEARCH	Variable speed (Shuttle Ring) scan
▶ X 1/2	Searching
	Scanning at 1/2-speed

#### Message 2 (Examples)

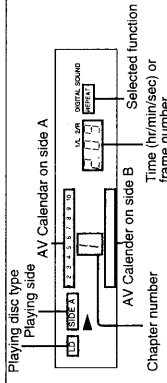
Screen Display	Currently Playing
CAV SIDE A	Standard-play disc side A
CAV SIDE B	Standard-play disc side B
CLV SIDE A	Extended-play disc side A
CLV SIDE B	Extended-play disc side B
1/L	First soundtrack/left channel
2/R	Second soundtrack/right channel
DIGITAL	Digital sound
ANALOG	Analog sound

To turn off the display, press DISPLAY again.

\* Discs not indicating time data to the second indicate instead as two-digit numbers such as "22."  
 \*\* Appears when the LD QUICK START indicator is off (for an LD with TOC).

### Reading the Front Panel Display

The illustration to the right is an example of what is displayed on the front panel of the player.



### To View AV Calendar...

When playing an LD containing TOC (Table of Contents) data, the AV Calendar is available. Press the LD QUICK START button on the player while in the stop mode to turn off the indicator beside the button, then press PLAY (▶). The AV Calendar on disc side A will be displayed. To view the AV Calendar on side B, press (DISC) SIDE B while the LD QUICK START indicator is off, the AV Calendar on disc side B will be displayed. The calendar shows information on the total number of selections on the disc or those programmed to play. As selections are played, the corresponding numbers in the AV Calendar disappear.

### To Turn Off the Front Panel Display...

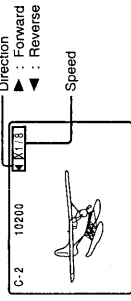
Press FL DISPLAY on the player. Each time you press FL DISPLAY, the display turns on/off. When the front panel display is turned off, the blue TV screen during stop or search turns to gray.

## How to Search Using Variable Speed Play (for CAV discs)

To find a scene, play the disc back or forward at varying speeds.\* Use MULTI SPEED and SPEED SET for CAV standard-play LDs. Use the Shuttle Ring, which lets you scan gradually, for all discs. Locate the MULTI SPEED, SPEED SET, DISPLAY buttons and the Shuttle Ring on the Remote Commander.

### To Change Speed and Direction (Multi Speed)

- 1 Press MULTI SPEED on the Remote to select the direction.
  - To reverse <
  - To advance >
- 2 Press SPEED SET on the Remote to select the speed.
  - To reduce speed -
  - To increase speed +
  - (You can press SPEED SET first, or do either step without the other.)
- 3 Press DISPLAY on the Remote.
  - The play speed and direction appear on screen.



Normal playback resumes.



- 4 Press PLAY (▶).

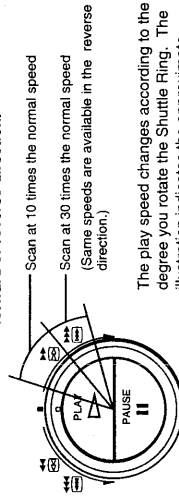
### Discs with Automatic Picture Stop Code

When an automatic picture stop code (found on educational discs) is encountered during X1 or less variable speed play, the unit automatically stops at that frame. To resume playback, press PLAY, MULTI SPEED, or turn the Shuttle Ring.

### Extended-Play (CLV) or Non-CAV Discs

Variable Speed Play, Freeze Frame, and Step Play are not possible with CLV discs. When a MULTI SPEED button is pressed, the message "CLV SIDE A (or "B")" appears.

### To Change Speed and Direction Gradually (Variable Speed Scan)\*\*



The play speed changes according to the degree you rotate the Shuttle Ring. The illustration indicates the approximate speeds.

By holding down SCAN (◀▶▶▶▶▶) on the player, you can scan scenes at a constant speed.

### To Resume Normal Play

\* A certain amount of visual noise and instability is inevitable with all variable speed operations.  
 \*\* Scanning speed varies as the laser beam moves away from the center of a CLV disc. The frames are skipped.

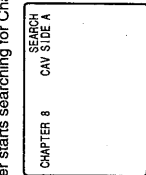
## How to Search by Chapter Numbers

LDs are divided into sections called "chapters". Chapters are usually listed on the jacket or label of the disc. By entering the desired chapter number, you can have the player find the chapter and play it. Use ACS/AMS (◀▶) — Auto-Matic Chapter Sensing/Automatic Music Sensing—to advance or reverse a chapter at a time. Locate the number keys and the ACS/AMS (◀▶) buttons on the Remote Commander.

### To Locate a Particular Chapter (Chapter Search)

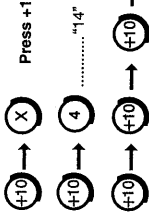
For example, to locate chapter 8, press "8" on the Remote.

The player starts searching for Chapter 8.



The player finds Chapter 8 and starts playing from the beginning of Chapter 8.

Press +10 and one of the number keys.



Do this to make a numerical sum. For example, to enter 14, press +10 and 4; to enter 30, press +10, +10, +10 and 0.

If you make a mistake while entering numbers, press +10 repeatedly until "CHAPTER 7" disappears, then enter the correct numbers. The current chapter number appears in the front panel display.

### To Check the Current Chapter Number



### To Advance or Go Back a Chapter at a Time (Skip Search)



Press ACS/AMS (◀▶) once to return to the beginning of the current chapter.

Press ACS/AMS (▶) to advance to the beginning of the next chapter.

Press ACS/AMS (◀▶) twice before the picture reappears to return to the beginning of the previous chapter.

Press the ACS/AMS button repeatedly for continuous skip search.

The player automatically resumes play from the beginning of the selected chapter.

### To Resume Normal Play\*\*

\* Chapter Search does not function properly if the disc does not contain chapter numbers, or the chapter number entered does not exist.

\*\* In addition to normal play mode, you can conduct Chapter Search and Skip Search while in Freeze-Frame, Variable Speed Play, Repeat or Pause mode. When the specified chapter appears after the search, play continues in the same mode.

## How to Search by Frame Number or Time—Frame/Time Search

Video scenes are counted as a series of still pictures or "frames". The player keeps track of the number of frames that have been played from the beginning of the disc to the current position. Similarly, the player also keeps track of the elapsed playing time from the beginning of the disc. To play from a particular frame or time, use the Frame/Time Search function. Locate the FRAME/TIME, SEARCH/NEXT buttons, and number keys on the Remote Commander.

On CAV (standard-play) discs, enter a frame number. On CLV (extended-play) discs, enter the time.\*

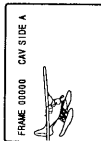
### To Enter the Elapsed Frame or Time



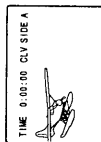
1 Press the FRAME/TIME button.

The screen displays "00000" (for CAVs) or "0:00:00" (for CLVs).

CAV (standard-play) disc



CLV (extended-play) disc



2 Enter the desired multi-digit number corresponding to the frame or time you want found.

Enter five digits for CAVs. Enter four digits for CLVs displaying the time to the second. Enter two digits for CLVs displaying the time to the minute.

#### Sample Entry for CAV Discs

To locate frame number 12340, press the number keys in the order on the right:



#### Sample Entry for CLV Discs

To locate the 12-minute, 5-second point, press the number keys in the order on the right:



If you pressed the wrong key, press BACK to clear the number, then enter the correct number.

3 Press SEARCH/NEXT on the Remote



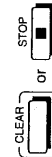
Play starts from the time or frame specified in step 2.

### To Check the Frame/Time Numbers



The current frame or current time numbers appear on screen when you press DISPLAY. You can also find them on the front panel display.

### To Cancel Frame/Time Search



Before pressing the SEARCH/NEXT button, press CLEAR. If you have already pressed the SEARCH/NEXT button, press STOP (■).

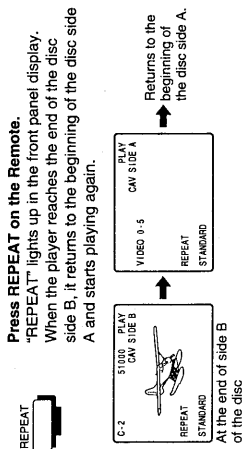
In addition to normal play mode, you can conduct Frame/Time Search while in Freeze-Frame, Variable Speed Play, Repeat or Pause mode. When the specified frame or time appears after the search, play continues in the same mode.

\* "CAV" or "CLV" should be noted somewhere on the disc jacket.

## How to Replay the Same LD Selections

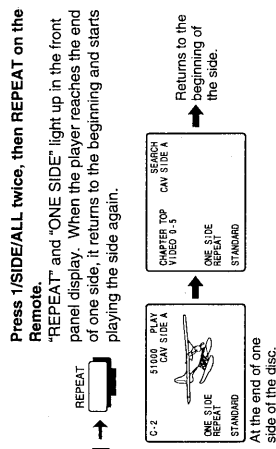
These instructions show you how to program the player to play the same scenes over and over until you signal the repetition to stop. You can replay both sides, a single side, a single chapter or a section between one pair of points on the disc. Locate the REPEAT, 1/SIDE/ALL, and the REPEAT A↔B buttons on the Remote Commander.

### To Repeat Both Sides of the Disc



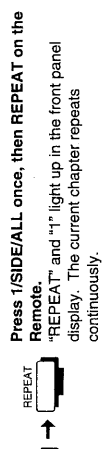
**Press REPEAT on the Remote.**  
"REPEAT" lights up in the front panel display. When the player reaches the end of the disc side B, it returns to the beginning of the disc side A and starts playing again.

### To Repeat the Current Side of the Disc (One Side Repeat)



**Press 1/SIDE/ALL twice, then REPEAT on the Remote.**  
"REPEAT" and "ONE SIDE" light up in the front panel display. When the player reaches the end of one side, it returns to the beginning and starts playing the side again.

### To Repeat the Current Chapter (Single Repeat)



**Press 1/SIDE/ALL once, then REPEAT on the Remote.**  
"REPEAT" and "1" light up in the front panel display. The current chapter repeats continuously.

### To Cancel Repeat Play



**Press REPEAT.**

### To Cancel One Side Repeat



**Press 1/SIDE/ALL once, then REPEAT.\***

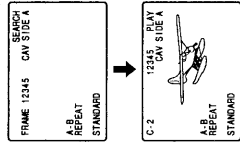
### To Cancel Single Repeat



**Press 1/SIDE/ALL twice, then REPEAT.\***

## To Repeat One Section of the Disc

- Go back to the start of the scene you want replayed. This marks where replay is to begin.
- Press **REPEAT A↔B** on the Remote at the beginning of where you want replay to begin. The "REPEAT" and "A-" indication lights up, and "B" indication in the front panel display flashes.
- Let the player run to the end of the scene you want repeated.
- Press **REPEAT A↔B** again. This marks where replay is to end.

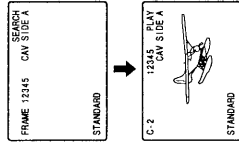


"REPEAT" and "A-B" light up in the front panel display. The player repeatedly plays the same scene between the two points selected.

**Press CLEAR.**

## To Return to a Specific Point (Memory Search)

- Go back to the point you want to replay.
- Press **REPEAT A↔B** on the Remote to mark the point.
- Press **CLEAR** to turn off the indication "A-B REPEAT".
- Press **SEARCHNEXT** on the Remote at any point you like on the disc.



The player returns to the point you marked and starts playing.\*

\* The point marked "A" from where you can resume playback is stored in the player's memory until you open the disc tray or turn off the player. "A" is also cleared if you carry out a Frame/Time Search.

\* You can also cancel Repeat, One Side Repeat and Single Repeat by pressing CLEAR.

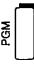
## How to Play Only Certain Chapters—Programmed Play

You can choose, in any order you like, the chapters the Multi Disc Player plays. This play list is stored in the player until you either remove the disc or turn off the power. After playing all the selections, the player stops and waits for your next command. You can program up to 25 chapters for sides A and B combined. Locate the number keys, DISC SIDE A/B, PGM and PLAY buttons on the Remote Commander.

For example, you want to play chapters 1, 2, 3 on side A, chapter 10 on side B, then stop playing momentarily. Continuing with chapter 4 on side B, then back to side A to play 7 (in that order).

- 1 Press PGM.
 

"PROGRAM" appears on screen.



STOP	VIDEO 1-10	48:31	SIDE A
PROGRAM	1	2	3
PROGRAM	1	2	3
- 2 Press 1, 2 and 3.
 

STOP	VIDEO 1-10	48:31	SIDE A
PROGRAM	1	2	3
PROGRAM	1	2	3
- 3 Press DISC SIDE B, then +10, 0, PAUSE (II).
 

STOP	VIDEO 1-10	56:08	SIDE B
PROGRAM	1	2	3
PROGRAM	1	2	3
- 4 Press 4, DISC SIDE A, then, 7.
 

STOP	VIDEO 1-10	48:31	SIDE A
PROGRAM	1	2	3
PROGRAM	1	2	3
- 5 Press PLAY (▶).
 

STOP	VIDEO 1-10	48:31	SIDE A
PROGRAM	1	2	3
PROGRAM	1	2	3

## To Check the Total Playing Time . . . . .

You can check the total playing time of the programmed chapters on the LD containing the TOC (Table of Contents) data. To display the total playing time of the programmed chapters, press the LD QUICK START button while in the stop mode to turn off the indicator, then press PLAY (▶) to display the AV Calendar before you press the PGM button. When you program chapters on side B while checking the total playing time, press (DISC) SIDE B to display the AV Calendar on side B before pressing the PGM button.

\* If you enter 0 or chapter numbers 51 or greater, or if total playing time exceeds 100 minutes, the total playing time turns to "----".



To Start Over . . . . .

 Press CLEAR, then PGM. Enter the new chapter numbers.


To Change an Entry . . . . .

 or  Press SEARCH/NEXT or BACK to advance or go back one entry. Enter the correct number.


To Enter a Number Greater Than 10 . . . . .

  Press +10 and one of the number keys, following the same procedure as on page 18.

To Cancel Programmed Play . . . . .

 Press CLEAR. The player resumes normal playback.

To Replay the Programmed Chapters . . . . .

 Press REPEAT. "REPEAT" is displayed on the screen.

To Advance or Go Back a Chapter\* . . . . .

 Press ACS/AMS (◀ or ▶).

To Check the Contents of the Program . . . . .

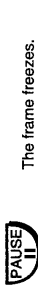
 Press DISPLAY twice. The flashing number indicates the chapter now playing.

\* The player does not go back to previous chapters if the Shuttle Ring is rotated to the left, although, it does advance to forward chapters if rotated to the right. To go back to preceding chapters press the ACS/AMS (◀ or ▶) button.

## How to Play Frame-by-Frame (for CAV discs)

Once you have found a particular scene, you can examine the progression of that scene by advancing or reversing the action one frame at a time (Step Play). \* or freezing the action into a still picture (Freeze Frame). \* Locate the PAUSE, and STILL/STEP buttons on the Remote Commander.

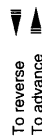
### To Play One Frame at a Time (Step Play)



The frame freezes.



Each press shifts the image one frame backward or forward.



To reverse  
To advance

In addition to pause mode, you can achieve Step Play while the player is in play mode by pressing one of the STILL/STEP buttons while the disc is playing.

Press PAUSE (II) once.



To Freeze the Action (Freeze Frame)

Press PLAY (▶).



To Resume Normal Play

Freeze Frame and Step Play are not possible with CLV discs. When the PAUSE button is pressed, the screen goes blank and the message "CLV SIDE A (or B)" appears.

Extended-Play (CLV) Discs

## How to Continue Play from the Point You Stopped at — Memory Play

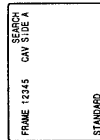
This function can only be used for LDs, and in the continuous play mode. Even if you use the STOP (■) button to stop, you can still continue play from the point you stopped at. Locate the MEMORY PLAY button on the Remote Commander.

To Play Again from the Point You Stopped at



Press MEMORY PLAY while in the stop mode.

The player starts searching for the point you stopped at.



Play starts from the point you stopped at.

The point at which you stopped playing is stored in the player's memory until you press STOP (■) next. It is retained even if you turn off the power.\*\* Press MEMORY PLAY. The player turns on and resumes playback from the point you stopped at.

\* This function can only be performed on CAV discs.  
\*\* If you press ▲, the memory is cleared and this function is canceled.

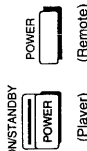
## To Play a Compact Disc

This section explains how to perform procedures associated with playing CDs.

### How to Load and Play a CD (Compact Disc)

After you have connected the Multi Disc Player to the stereo system, you can begin playing a compact disc. Locate the POWER, OPEN/CLOSE and PLAY buttons on the Remote Commander or the front panel of the player.

1 Turn on the multi disc player.

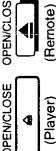


Press the POWER button on the player or Remote Commander.

2 Turn on the stereo system.

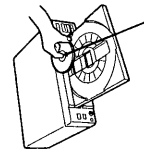
Turn on the amplifier or receiver and select CD, AUX or other desired audio input.

3 Open the disc tray.



Press the OPEN/CLOSE (▲) button. The front cover of the player slides down and the disc tray comes out.

4 Place a disc on the tray.



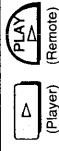
Carefully center a single CD on the tray. \* If you insert more than one disc, or the disc is not seated properly, it may not play or damage the unit.

What is this indication?



This indication appears in the front panel display when the tray is empty.

5 Start playback.



Press PLAY (▶).\*\*

To Advance or Reverse



Hold down the SCAN (◀▶▶▶) button on the player or rotate the Shuttle Ring on the Remote.

To Advance or Go Back One Track at a Time



Press the ACS/AMS (◀▶▶▶▶▶▶▶) button.

To Interrupt Play



Press PAUSE (II). To resume playback, press PAUSE (II) or PLAY (▶).

\* Do not use a CD stabilizer as it may cause damage to your disc or player.  
\*\* You can start playing by pressing (DISC) SIDE A instead of PLAY (▶).

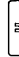
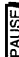
### To Stop Playback

 **STOP** (Remote)  
 To play again from the beginning, press **PLAY** (▶).

### To Stop Play and Remove the Disc

 **OPEN/CLOSE** (Player)  
 **OPEN/CLOSE** (Remote)  
 Press **OPEN/CLOSE** (▶) and press **OPEN/CLOSE** (▶) again to close the empty tray.

### To Have the Player Pause Before Starting

 **PAUSE** (Player)  
 **PAUSE** (Remote)  
 Press **PAUSE** (||) after doing step 4 on page 25. The tray closes and the player waits at the start of the disc until you press **PLAY** (▶) or **PAUSE** (||).

### To Play a Stereo CD or a Second Audio Program (SAP) CD

 **PLAY MONITOR** (Player or Remote)  
 **PLAY MONITOR** (Remote)  
 Press **PLAY** (▶), then press the **AUDIO MONITOR** button on the Remote.

The procedure below indicates how the output and the display change with each press. The active tracks appears for three seconds on the TV screen. It always appears in the front panel display.

Procedure	Screen message	Stereo Disc	SAP Disc
1 Press <b>PLAY</b> (▶).	No message	Stereo (Both channels)	Soundtrack 1 (left channel) Soundtrack 2 (right channel)
2 Press <b>AUDIO MONITOR</b> .	1/L	Left channel	Soundtrack 1 (left channel)
3 Press <b>AUDIO MONITOR</b> again.	2/R	Right channel	Soundtrack 2 (right channel)
4 Press <b>AUDIO MONITOR</b> again to return to stereo status.	1/L 2/R	Stereo (Both channels)	Soundtrack 1 (left channel) Soundtrack 2 (right channel)

## Understanding Displays and Messages When Playing CDs

You can determine player operating status or disc information in one of two ways: (1) by displaying the information on the TV screen, or (2) by looking at the front panel display. Locate the **DISPLAY** button on the Remote Commander.

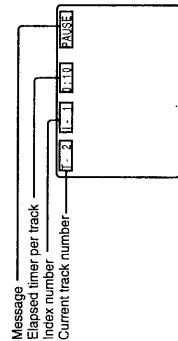
### To View On-Screen Information



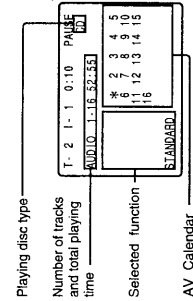
Turn on the television, and press **DISPLAY** on the Remote.

Each time you press **DISPLAY**, messages appear on the TV screen as shown below. The table is a key to the messages that appear on the right of the screen.

### Press DISPLAY once.



### Press DISPLAY twice.



### Message (Examples)

Screen Display	Current Status of the Player
OPEN	Disc tray open
CLOSE	Disc tray closed
PLAY	Playing CD
STOP	Operation stopped
PAUSE	Operation momentarily stopped
SEARCH	Variable Speed (Shuttle Ring) Scanning

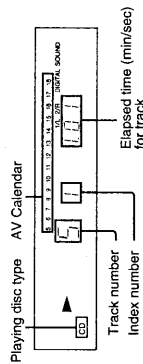
To turn off the display, press **DISPLAY** again.

### Reading the Front Panel Display

The illustration to the right is an example of what is displayed on the front panel of the player.

### Finding Out Play Status

When playing a CD, the AV Calendar shows information on the total number of tracks on the disc or those programmed to play. As tracks are played, the corresponding numbers in the calendar disappear. If the CD contains more than 20 tracks, "S" appears to the right of the calendar.



### To Turn Off the Front Panel Display

Press **FL DISPLAY** on the player. Each time you press **FL DISPLAY**, the display turns on/off.

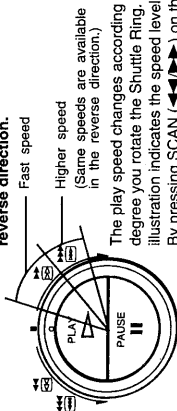


## How to Locate a Certain Track

CDs are divided into sections called "tracks". To scan a disc and find a certain point regardless of tracks, use the Shuttle Ring. To find and play from the beginning of a certain track, use the number keys. In addition, use the ACS/AMS (◀▶) buttons to advance or reverse one track at a time. Locate the number keys, Shuttle Ring, and ACS/AMS (◀▶) buttons on the Remote Commander.

### To Find a Certain Point on the Disc

Rotate the Shuttle Ring in the forward or reverse direction.



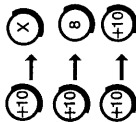
The play speed changes according to the degree you rotate the Shuttle Ring. The illustration indicates the speed levels. By pressing SCAN (◀▶) on the player, you can scan the disc at a constant speed.

### To Locate a Particular Track (Track Search)

Press one of the number keys on the Remote to enter the track number you want played.



### To Enter a Number Greater Than 10



Do this to make a numerical sum. For example, to enter 18, press +10 and 8; to enter 20, press +10, +10 and 0.

If you make a mistake while entering a number, press +10 repeatedly until "9" disappears, then enter the correct number.

See the AV Calendar on the front panel display.

### To Check the Current Track Number

### To Advance or Go Back One Track at a Time (Skip Search)



Press ACS/AMS (◀▶) once to return to the beginning of the current track. Press it again before the selection starts to return to the beginning of the previous track.

Press ACS/AMS (▶▶) to advance to the beginning of the next track.

Press the ACS/AMS button repeatedly for continuous skip search.

### To Play a Single Track Once



"1" is displayed.



When the track has been played, the player stops. To cancel the setting, press 1/SIDE/ALL again or CLEAR.

If you press the wrong number keys, simply press the correct ones.

## How to Search by Elapsed Playing Time—Time Search

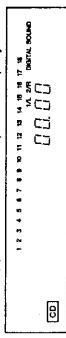
You can locate a particular point on a CD by specifying the elapsed playing time from the beginning of the disc. Locate the FRAME/TIME, SEARCH/NEXT and number keys on the Remote Commander.

### To Enter the Elapsed Playing Time

1 Press the FRAME/TIME button.



"00.00" appears in the front panel display.



Enter four digits.



2 Enter the desired multi-digit number corresponding to the time you want found.\*

Sample Entry for CDs  
To locate the 12-minute, 5-second point, press the number keys in the order on the right:

If you press the wrong key, press BACK to clear the number, then enter the correct number.

Play starts from the time specified in step 2.

3 Press SEARCH/NEXT on the Remote.



### To Cancel Time Search



Before pressing the SEARCH/NEXT button, press CLEAR. If you have already pressed the SEARCH/NEXT button, press STOP.

In addition to normal play mode, you can conduct Time Search while in Repeat or Pause mode. When the specified time appears after the search, play continues in the same mode.

\* If you enter a time number not contained on the disc, play stops.

## How to Replay the Same CD Selections

You can program the player to play the same selections over and over until you signal the repetition to stop. You can replay the entire disc, a single track, or a section between one pair of points on the disc. Locate the REPEAT, 1/SIDE/ALL, and the REPEAT A↔B buttons on the Remote Commander.

**To Repeat the Entire Disc** .....



Press **REPEAT** on the Remote.



"REPEAT" lights up in the front panel display. The player plays all tracks on the CD. When the player reaches the end of the disc, it plays again.

**To Repeat the Current Track (Single Repeat)** .....



Press **1/SIDE/ALL**, then **REPEAT** on the Remote.




"REPEAT" and "1" light up in the front panel display. The current track repeats continuously.

**To Cancel Repeat Play** .....



Press **REPEAT**. "REPEAT" disappears.\*

**To Cancel Single Repeat** .....




Press **1/SIDE/ALL** and **REPEAT**.\*

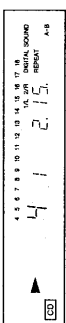
## To Repeat One Section of the Disc

- Go back to the start of the section you want replayed.
- Press **REPEAT A↔B** on the Remote to mark the beginning of the section.
- Let the player run to the end of the section you want repeated.
- Press **REPEAT A↔B** again to mark the end of the section.

**To Cancel REPEAT A↔B** .....






Press **CLEAR**.



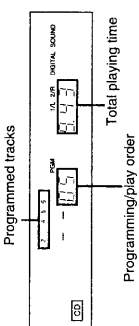

\* You can also cancel Repeat and Single Repeat by pressing CLEAR.

## How to Play Only Certain Tracks—Programmed Play

You can program, in any order you like, the tracks the Multi Disc Player plays. This list is stored in the player until you either remove the disc or turn off the power. Program up to 25 tracks. After playing all the selections, the player stops and waits for your next command. Locate the number keys, PGM, and PLAY buttons on the Remote Commander.

- Press **PGM**. "PGM" flashes in the front panel display.
 

- Press one of the number keys.
 

The total playing time of the programmed tracks is displayed on the front panel display.


- Press **PLAY** (▶).
 

**To Start Over** ..... Press **CLEAR** and **PGM**. Then, enter the correct track numbers.

**To Change an Entry** ..... Press **SEARCH/NEXT** or **BACK** to go back one entry. Enter the new number.

**To Enter a Number Greater Than 10** ..... Press **+10** and one of the number keys following the same procedure as on page 28.

**To Program a Pause** ..... Press **PAUSE**.

- To Cancel Programmed Play** ..... Press **CLEAR**. The player resumes normal playback.
- To Replay the Same Programmed Tracks** ..... Press **REPEAT**. "REPEAT" is displayed in the front panel display.
- To Advance or Go Back a Track\*** ..... Press **ACS/AMS** (◀ or ▶). The player moves to the preceding or following programmed tracks.
- To Check the Contents of the Program (TV screen)** ..... Press **DISPLAY** twice. The programmed track numbers are displayed on the TV screen. The flashing number indicates the current track. Once the track has been played, the track number in the front panel display (AV Calendar) disappears.

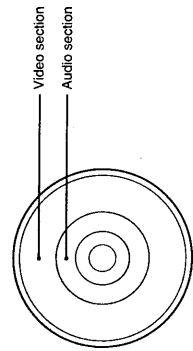
\* The player does not go back to previous tracks if the Shuttle Ring is rotated to the left, although it does advance to forward tracks if rotated to the right. To go back to preceding tracks, press the ACS/AMS (◀) button repeatedly.

## To Play a Compact Disc Video

This section explains basic procedures for playing CDVs and VSDs. Since CDV and VSD play holds so many functions in common with CD and LD play, see other sections of this manual for details of applicable functions mentioned here.

### How to Load and Play a CDV (Compact Disc Video) or VSD (Video Single Disc)

CDVs are divided into two sections: video and audio. The video section of the disc consists of 5 minutes of video play with digital audio output. The audio section consists of 20 minutes of solely digital audio output (playable on any CD player). Thus, the CDV has the function of both an LD and CD combined in one disc. The audio and the video sections of the CDV are assigned track numbers. The track on the video section corresponds to the chapter on the LD and the same on the CD. You can regard VSDs as CDVs that have no audio tracks.



- 1 Turn on the TV, stereo system (if connected), and Multi Disc Player.**
- 2 Place the disc on the tray.**
- 3 Press PLAY (▶).**  
Play begins from the video section.  
To start play from the audio section, using the number keys, enter the track number that starts the audio section.

## Understanding Displays and Messages When Playing CDVs or VSDs

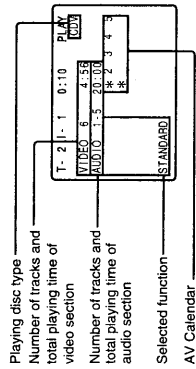
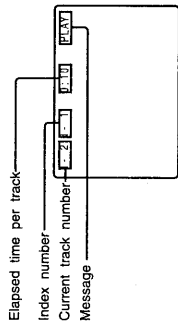
You can determine player operating status or CDV information in one of two ways: (1) by displaying the information on the TV screen, or (2) by looking at the front panel display. Locate the DISPLAY and AV TIME buttons on the Remote Commander.

### To View On-Screen Information



**Press DISPLAY on the Remote.**  
Each time you press DISPLAY, messages appear on the TV screen as shown below. The table is a key to the messages that appear on the right of the screen.

#### Press DISPLAY once.



### Message (Examples)

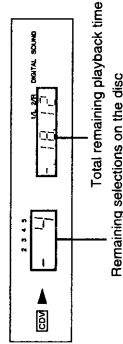
Screen Display	Current Status of the Player
OPEN	Disc tray open
CLOSE	Disc tray closed
PLAY	Playing CD
STOP	Operation stopped
PAUSE	Operation momentarily stopped
SEARCH	Variable Speed (Shuttle Ring) Scanning
SEARCH	Searching

To turn off the display, press DISPLAY again.

### To Display Remaining Playback Time



**Press AV TIME.** See "How to Display the Elapsed Playing Time - Time Counter" on page 35.  
Example. Press AV TIME three times.



### Finding Out Play Status

When playing a CDV, the AV Calendar on the front panel display shows information on the total number of selections. As selections are played, the corresponding numbers in the calendar disappear.

### To Turn Off the Front Panel Display

**Press FL DISPLAY on the player.** Each time you press FL DISPLAY, the display turns on/off.

#### OPEN/CLOSE



To Stop and Remove the Disc



To Advance or Go Back a Track at a Time



To Interrupt Play



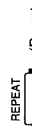
To Find a Certain Audio or Video Track



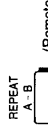
To Play Certain Video Tracks



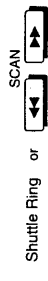
To Repeat the Current Track



To Repeat All Selections



To Repeat a Section of the Disc



To Variable Speed Scan (Audio and Video)

## To Play Any Disc (Advanced Functions for LD, CD, or CDV Play)

This section explains advanced functions which apply to any one of the three types of discs.

### How to Have the Disc Play Within a Set Period of Time

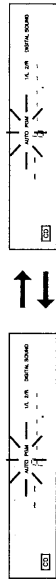
You can program the disc to play within a specified period of time. This is called "Auto Program Playback." Decide how long you want the disc to play and then enter half that amount of time. The player divides the selections on the disc into what it calls "Program A" and "Program B," playing both A and B for the amount of time entered. The player pauses between the two programs. The following procedure explains how to conduct Auto Program Playback on a CD, but you can also use the function for LDs with TOC and CDVs. (Auto Program does not function on LDs that do not contain TOC data.) Locate the AUTO PGM button and number keys on the Remote Commander.

#### To Ensure Correct Operation

When you play an LD with TOC, press the LD QUICK START button on the player while in the stop mode to turn off the indicator, then press PLAY (▶) to display the AV calendar before you press the AUTO PGM button. When you operate Auto Program on side B of the LD in the player, press (DISC) SIDE B to display the AV Calendar on side B before you press the AUTO PGM button.

### To Play Selections Using Auto Program

1 Press AUTO PGM on the Remote. "AUTO PGM" flashes in the front panel display.



2 Enter the desired play time.

Using the number keys, enter the time.

For example, to enter 30 minutes,

press +10 three times and 0.\*

If you press the wrong number, simply

press the correct one.

Program A and Program B appear alternately

in the AV Calendar displays the

contents of the two different programs:

Program A and B, separated by a pause.

If you designate a play time shorter than half the length of the disc, some selections on the disc may not fit into the time span given and therefore may not play. On the other hand, if you designate a play time longer than the length of the disc, the whole program of selections may run on Program A, with none running on Program B. This is because Program A always has priority over B.

#### Example for a Forty-Minute Disc

Let's say your disc is 40 minutes long (see table below) and you designate playing time to run 15 minutes.

Program A will run for 15 minutes (or less) and Program B will also run for 15 minutes (or less) for a total of about 30 minutes of play (see table below).

You enter	Program A plays	Program B plays	Total play time
15	15 min (or less)	15 min (or less)	30 min (or less)
30	30 min (or less)	10 min (about)	40 min
45	40 min (all selections)	0 min	40 min

3 Press PLAY (▶).



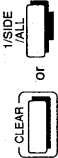
Program A selections start playing. The player pauses at the end of Program A and waits for you to press PLAY (▶) again for Program B.

4 Press PLAY (▶) again to play Program B.



### To Resume Normal Play from Auto Program

Press CLEAR or 1/SIDE/ALL.

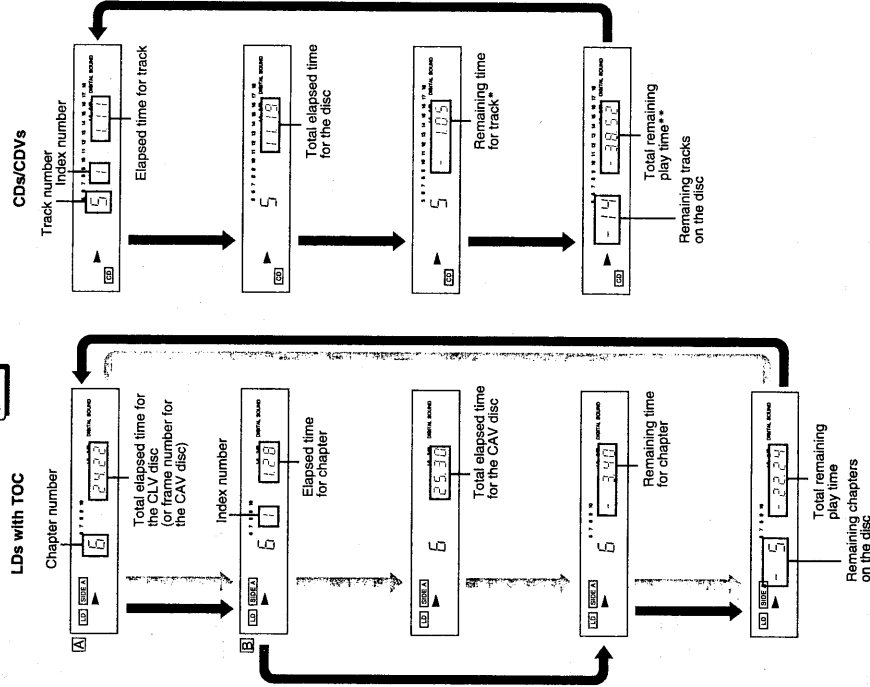


\* If your LD contains 51 or more chapters on the playing side, Auto Program may not operate correctly.

You can display elapsed time information on the front panel display or TV screen. How the information is displayed depends on the type of disc being played. When playing an LD, press LD QUICK START while in the stop mode to turn off the indicator beside the button. When the indicator is lit, remaining time is not displayed. Locate the AV TIME button on the Remote Commander.

### To View the Elapsed or Remaining Time

Each time you press AV TIME, the front panel display changes as follows.



When the LD QUICK START indicator is lit (or the LD does not contain TOC), you can only change the display between [A] and [B].

\* The display does not show remaining play time for chapters on an LD numbered 51 or greater.  
\*\* When playing CDVs, these figures refer only to the current section (audio or video) being played.

## How to Program the Player to Pause or Scan Automatically

There are many functions you can program the Multi Disc Player to do automatically. Two of them are Auto Pause and Intro Scan. To make the player stop every time a selection ends, use Auto Pause. When you want to find a particular track, use the INTRO button to make the player play the first 8 seconds (approximately) of each chapter or track on the CD, LD, or CDV. Locate the AUTO PAUSE and INTRO buttons on the Remote Commander.

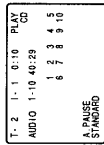
### To Make the Player Stop Momentarily (Auto Pause)



#### Press AUTO PAUSE on the Remote.

When the current selection ends, the player pauses. To play the next selection, press PLAY (▶).

To display "A. PAUSE" on the TV screen, press DISPLAY twice. If you have pressed DISPLAY once, "A. PAUSE" appears for three seconds, then disappears.



### To Resume Normal Playback



Press AUTO PAUSE again.

### To Scan the Beginning of Each Chapter/Track (Intro Scan)



#### Press INTRO on the Remote.

The player plays only the first 8 seconds (introduction) of each chapter or track on the disc. When playing an LD, the player pauses after introducing the last chapter on side B of the disc. If nothing is recorded on side B, the player stops at the end of side A. On CDVs, intro-scanning resumes from the video section of the disc.

### To Resume Normal Play



#### Press CLEAR.

Play resumes from the selection just introduced.

### To Stop Play



Press STOP (■).

\* In Single Repeat mode, the same selection starts playing again. In Repeat A-B mode, playback starts from the point marked "A".

\*\* In stop mode, intro-scanning starts from the first chapter or track on the disc. If you press INTRO while playing a chapter or track, scanning starts from the next one. If you press INTRO while the player is introducing a chapter or track, the scanning skips to the next one.

## How to Play Selections in Random Order—Shuffle Play

Shuffle Play is another of the Multi Disc Player's programmable functions. As the name implies, this function allows you to play all the tracks or chapters on a disc in random order once or repeatedly. From this random order you may program the player to delete tracks or chapters you don't want played. (Note that Shuffle Play can only be conducted on LDs containing TOC data, CDs and CDVs.) Locate the number keys, SHUFFLE, and PLAY buttons on the Remote Commander.

### Before Shuffle Play on an LD With TOC

You can shuffle play on an LD only when the AV Calendar on the playing side is displayed. Make sure that the AV Calendar(s) on the playing side(s) are displayed before shuffle playing.

- 1 Press the LD QUICK START button on the player while in the stop mode. The LD QUICK START indicator goes off.



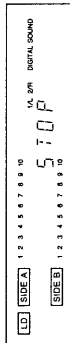
A



B



STOP



The AV Calendars on side A and B appear.

- 2 Press (DISC) SIDE A to display the AV Calendar on side A.
- 3 Press (DISC) SIDE B to display the AV Calendar on side B.
- 4 Press STOP (■).

### To Shuffle Play All Chapters on Both Sides of an LD (Both Sides Shuffle)

- 1 Make sure that the AV Calendars on both sides of the LD are displayed.
- 2 Press SHUFFLE on the Remote.
- 3 Press 1/SIDE/ALL to turn off "1 SIDE".
- 4 Press PLAY (▶).



SHUFFLE



1/SIDE/ALL

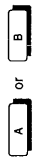


PLAY

All the chapters on both sides of the LD are played once in random order. After all the chapters are played, the player stops.

### To Shuffle Play All Chapters on One Side of an LD (One Side Shuffle)

- 1 Make sure that the AV Calendar on the disc side you want to play is displayed.
- 2 Press (DISC) SIDE A or B to select the playing side.
- 3 Press SHUFFLE on the Remote.
- 4 Press PLAY (▶).



A or B



SHUFFLE



PLAY

All the chapters on the side selected in step 2 are played once in random order. After the chapters are played, the player stops.

### To Shuffle Play all Tracks on a CD or CDV

When you play a CD or CDV, make sure the disc tray has closed completely, and the "STOP" indication in the front panel display has stopped flashing, then press the SHUFFLE button.

- 1 Press SHUFFLE.



"SHUFFLE" flashes in the front panel display.



- 2 Press PLAY (▶).



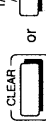
All the selections on the disc play once in random order. After all the selections play, the player stops. CDV selections play randomly from both the audio and video parts of the disc.

### To Advance to the Next Selection



Press the ACS/AMS (▶▶) button to skip to the next track or chapter. (The ACS/AMS (◀◀) button does not function to return to a previous track or chapter in Shuffle Play mode.) Or, use the Shuttle Ring.

### To Resume Normal Play



Press CLEAR or 1/SIDE/ALL. This clears Shuffle Play. Playback resumes from the next selection.

### To Delete Certain Selections from Shuffle Play (Delete Shuffle)

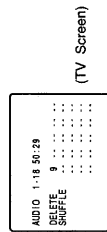
- 1 Press SHUFFLE.



- 2 Enter the chapter or track number of the selection you do not want the player to play.



- 3 Press PLAY (▶).



The player automatically plays a random program of selections without the ones you deleted.

### To Clear an Entry

- 1 Press CLEAR.



- 2 Press SHUFFLE.

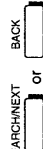


- 3 Enter the correct numbers.\*

To clear the entry during play, press CLEAR and SHUFFLE again before entering the correct numbers.

### To Change an Entered Number

- 1 Press SEARCH/NEXT (to advance) or BACK (to go back) until the number you want to change flashes on the front panel display.



- 2 Using the number buttons, enter the correct number.



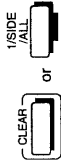
\* When shuffle playing on an LD, you can delete chapters from each side of the LD. Press one of the DISC SIDE A/B buttons corresponding to the disc side on which you want to delete chapters, then enter the chapter number. The chapter numbers on side B are displayed in squares.

### To Repeat Shuffle Play



Press the REPEAT button on the Remote. This activates the REPEAT indication in the front panel display. The player reshuffles the selections and plays them back in a different random order.

### To Clear Shuffle Play



Press CLEAR or 1/SIDE/ALL. When you turn off the player, or you remove the disc, all shuffle functions clear from the memory of the player.

# To Play Karaoke

**1 Connect the microphone**

When connecting the microphone, turn the MIC LEVEL control (the inner knob) to MIN.

Connect the microphone plug to the MIC jack.

Microphone (not supplied)

**2 Turn on the player**

Turns from red to green

ON/STANDBY

POWER

**3 Turn on the TV and stereo system**

TV: Set to "Video".

Stereo system: Turn on the amplifier or receiver and select CD or AUX for audio output.

**4 Open the disc tray**

OPEN/CLOSE

**5 Place a disc on the tray**

Carefully center a single disc on the tray. The disc will not play if it is not seated properly.

LD

CD/CDV

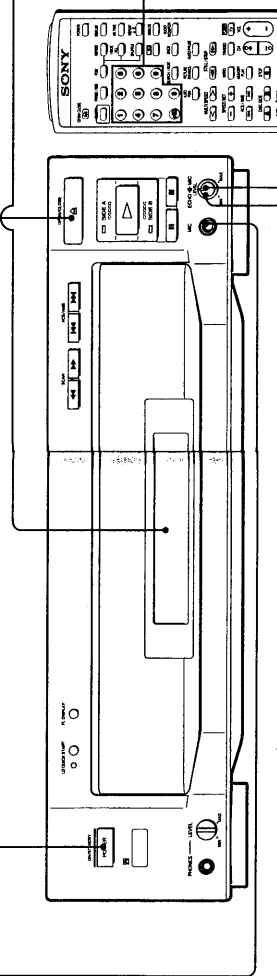
Always insert one disc at a time. Inserting more than one may damage the player.

**6 Choose a selection to play**

- The disc tray closes automatically and play starts.

Press PLAY (▶) or push the disc tray to playback from the beginning of the disc (side A of the LD).

To choose a selection on side B of the LD, press DISC SIDE B, then press the number key(s).



**7 Adjust the microphone volume**

Adjust the microphone volume with the MIC LEVEL control (the inner knob).

Sound from a microphone cannot be output when the player is connected to the amplifier with a Fiber Optical Cable. To output sound from a microphone, use an Audio Cable (Red & White plugs) for connection.

**8 Adjust the microphone echo**

Adjust the strength of the echo with the ECHO LEVEL control (the outer knob).

## Extra Functions for Karaoke Entertainment

**Using the AUDIO MONITOR and ANALOG buttons (page 15)**

Karaoke discs can be recorded using one of three formats: multi audio (MULTI-AUDIO), multiplex and stereo. Multi audio and multiplex discs include vocals. Stereo discs do not. If the disc loaded in the player is a multi audio or multiplex disc, you can play Karaoke listening to the voice recorded on the disc by alternating the sound using the AUDIO MONITOR or ANALOG button on the Remote Commander.

**Auto Pause (page 36)**

You can make the player pause every time a selection ends. To play the next selection, press PLAY (▶) or PAUSE (⏸), or choose the selection directly with the number key(s).

**Programmed Play (page 22)**

You can choose the selections in any order you like and play them continuously for non-stop Karaoke entertainment.

## If howling occurs

- Correct by doing the following:
  - Move the microphone away from the speakers
  - Lower the MIC or ECHO LEVEL
  - Lower the volume of the speakers

## Note about disc sides

The player determines that the upper side of the disc is side "A," and the other side is "B," regardless of label "A" or "B" printed on the disc.

## If the output is distorted

The output may sound distorted when listening through your TV speakers. Correct this by setting the ATT (Attenuator) switch on the rear panel of the player to ON. (This will lower the volume which should now be adjusted with the volume control on the TV.)

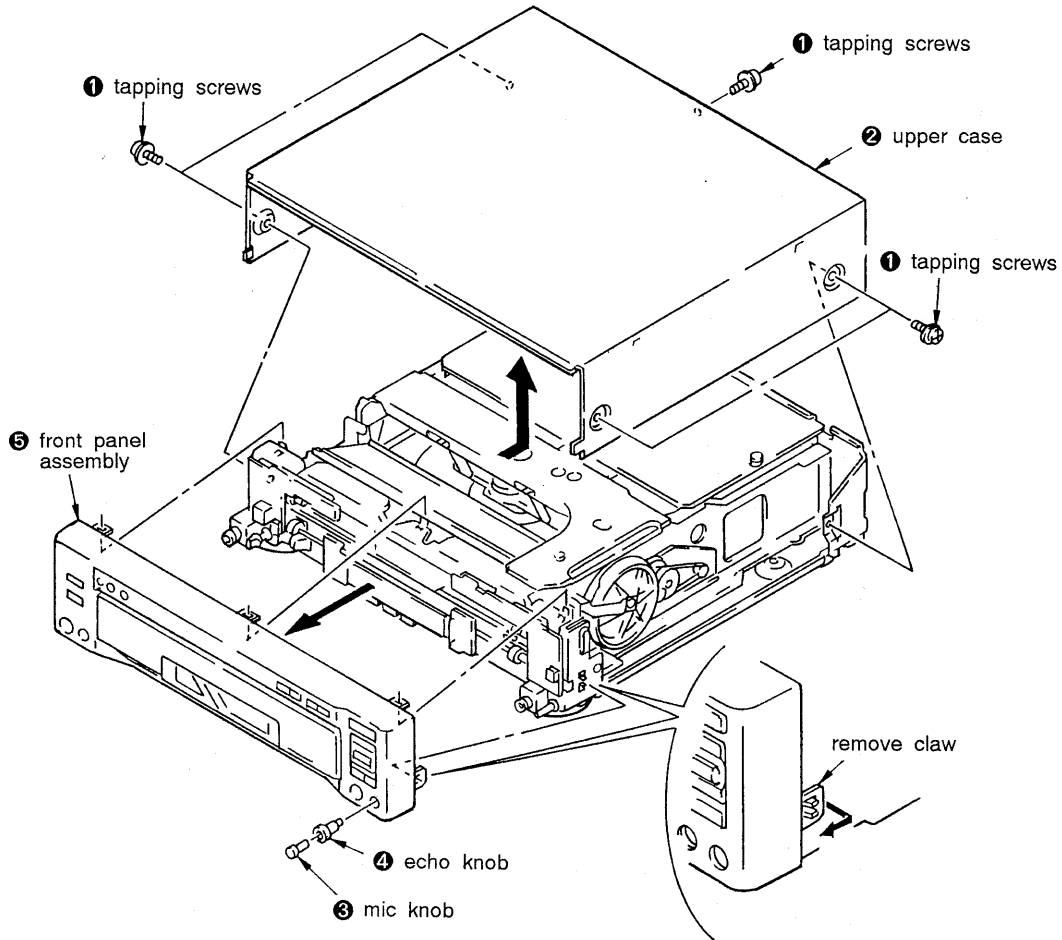
## If the picture on the TV flickers

The picture appearing on the TV screen may flicker when listening through your TV speakers and the MIC volume is set too high. Correct this by setting the ATT (Attenuator) switch on the rear panel to ON, or lower the MIC LEVEL.

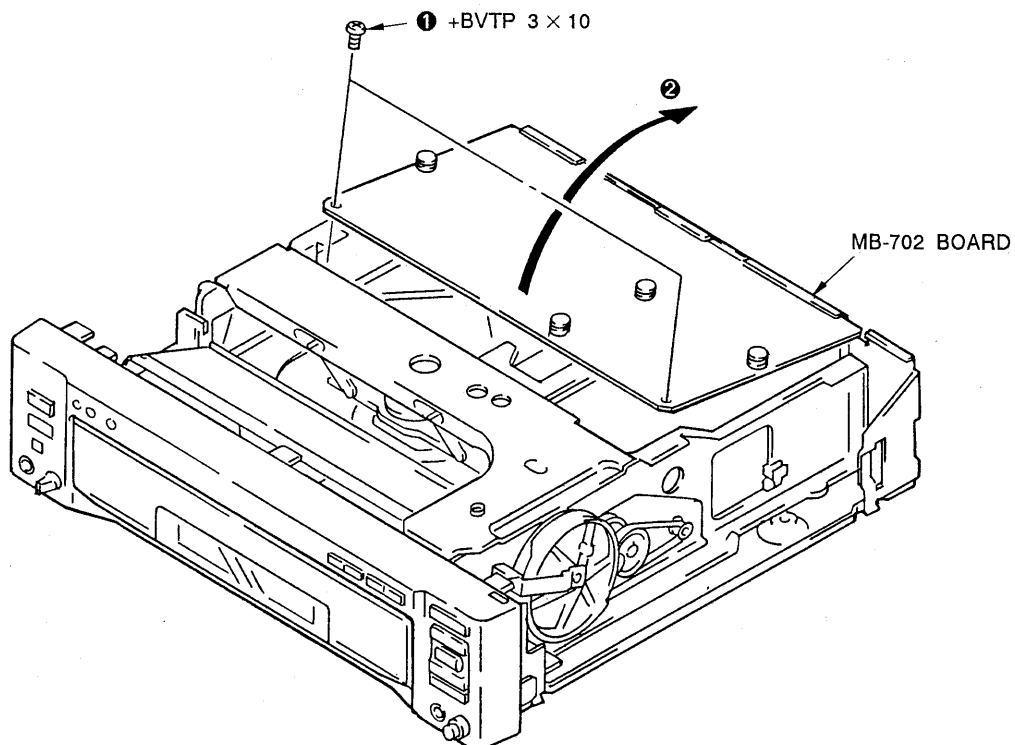
## SECTION 2 DISASSEMBLY

Note: Follow the disassembly procedure in the numerical order given.

### 2-1. UPPER CASE, FRONT PANEL ASSEMBLY

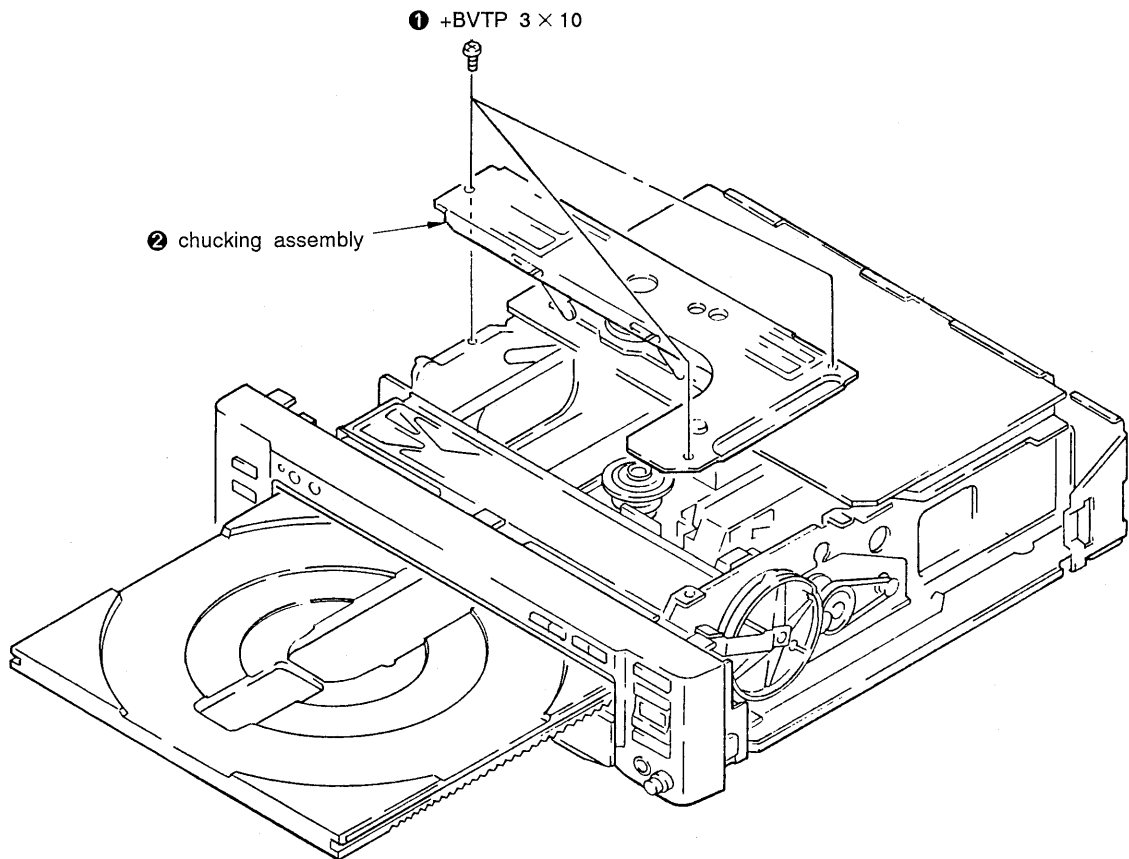


### 2-2. MB-702 BOARD

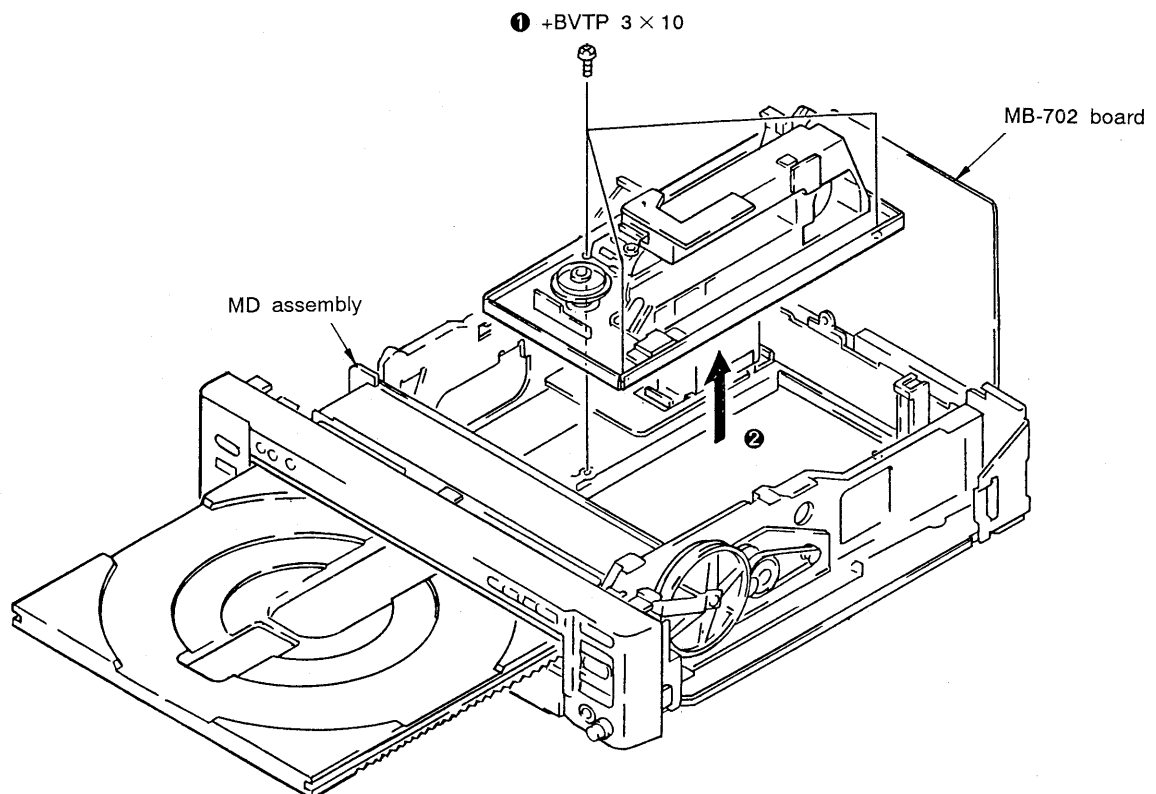




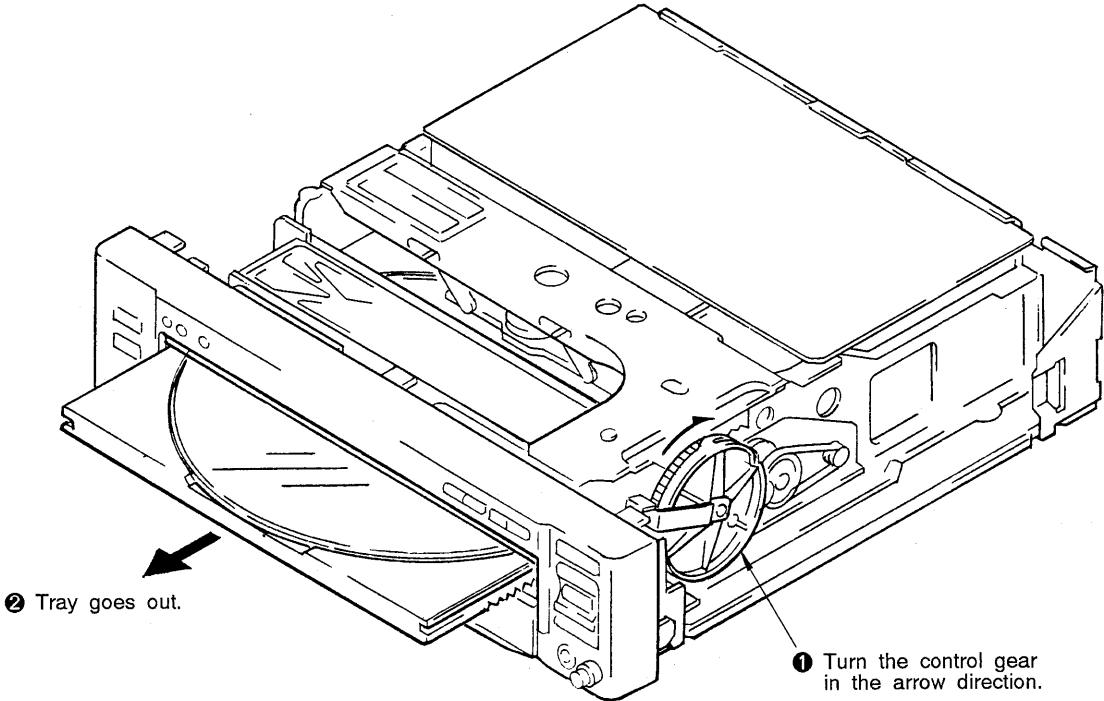
### 2-3. CHUCKING ASSEMBLY



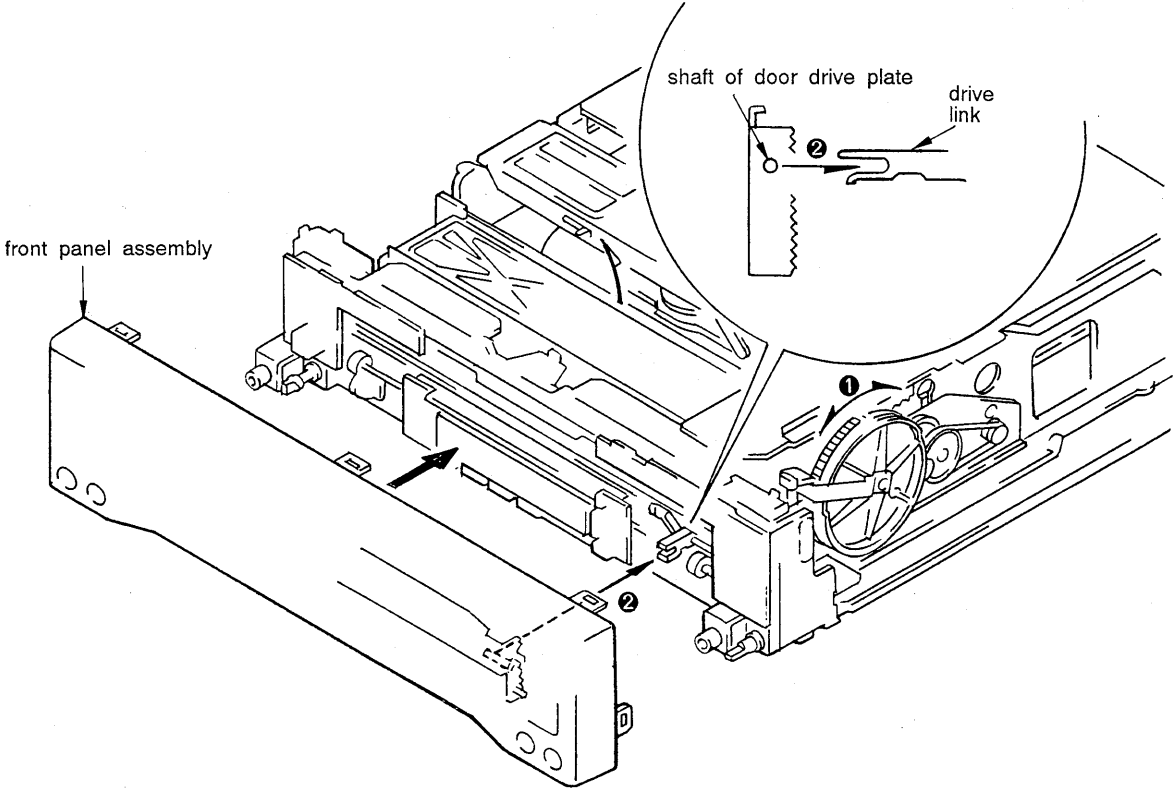
### 2-4. MD ASSEMBLY



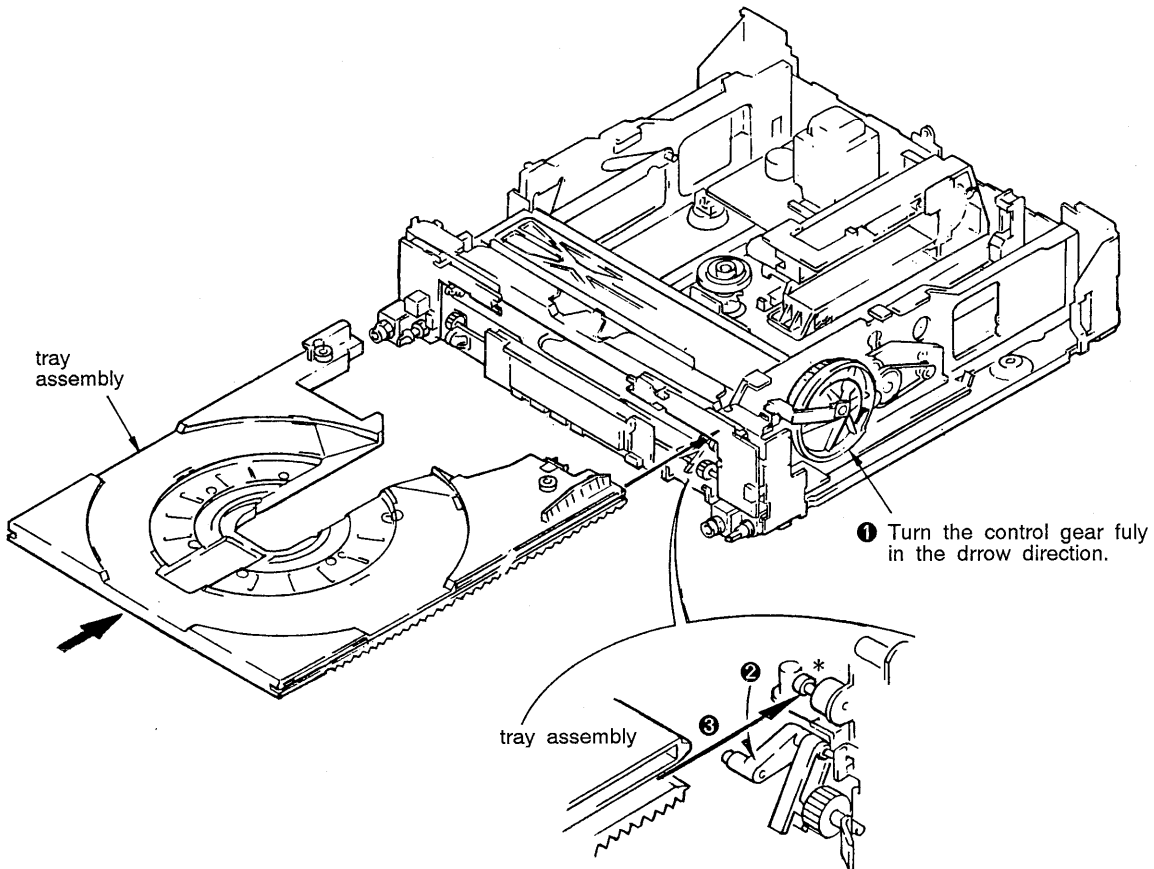
2-5. PUTTING OUT DISC WHEN A PROBLEM HAS OCCURRED WITH THE DISC LOADED.



2-6. FRONT PANEL ASSEMBLY FITTING

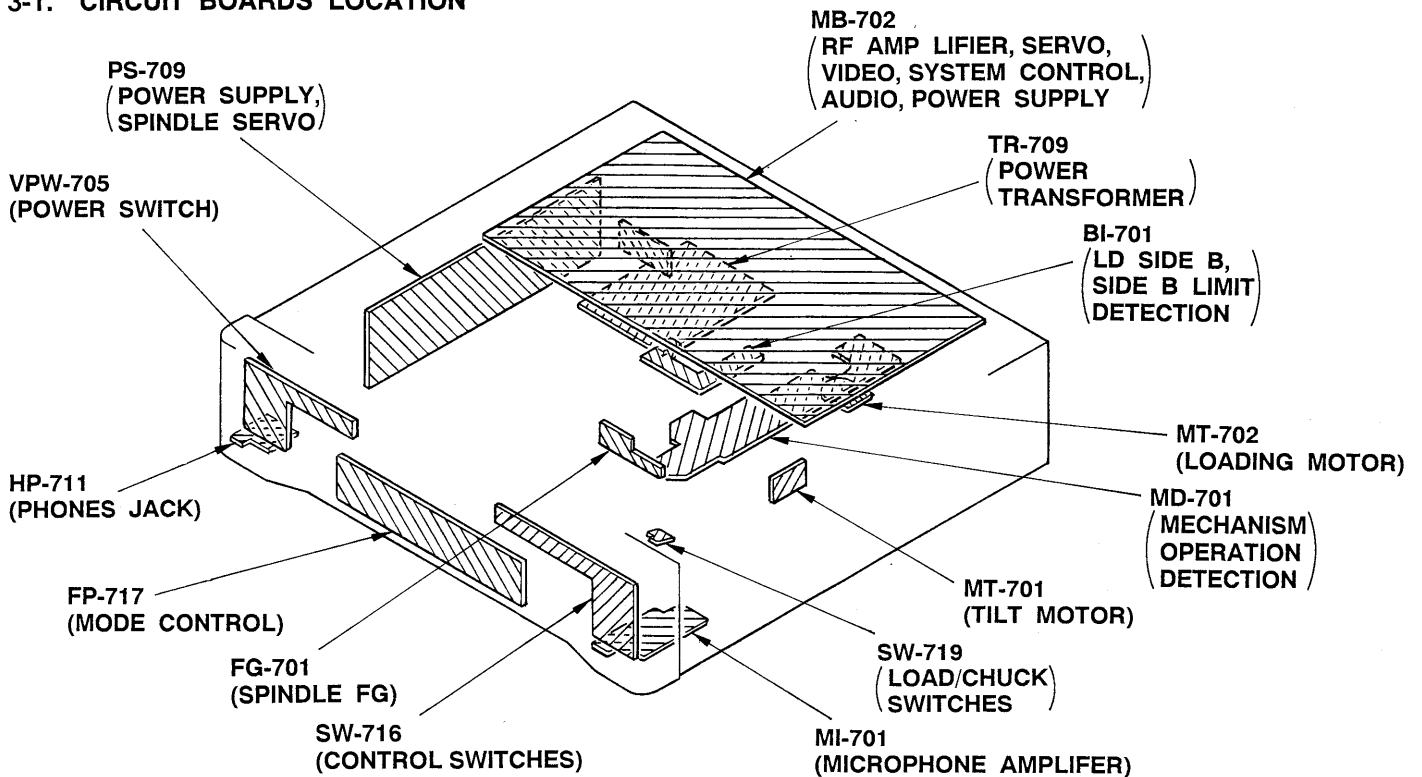


## 2-7. TRAY ASSEMBLY INSERTION

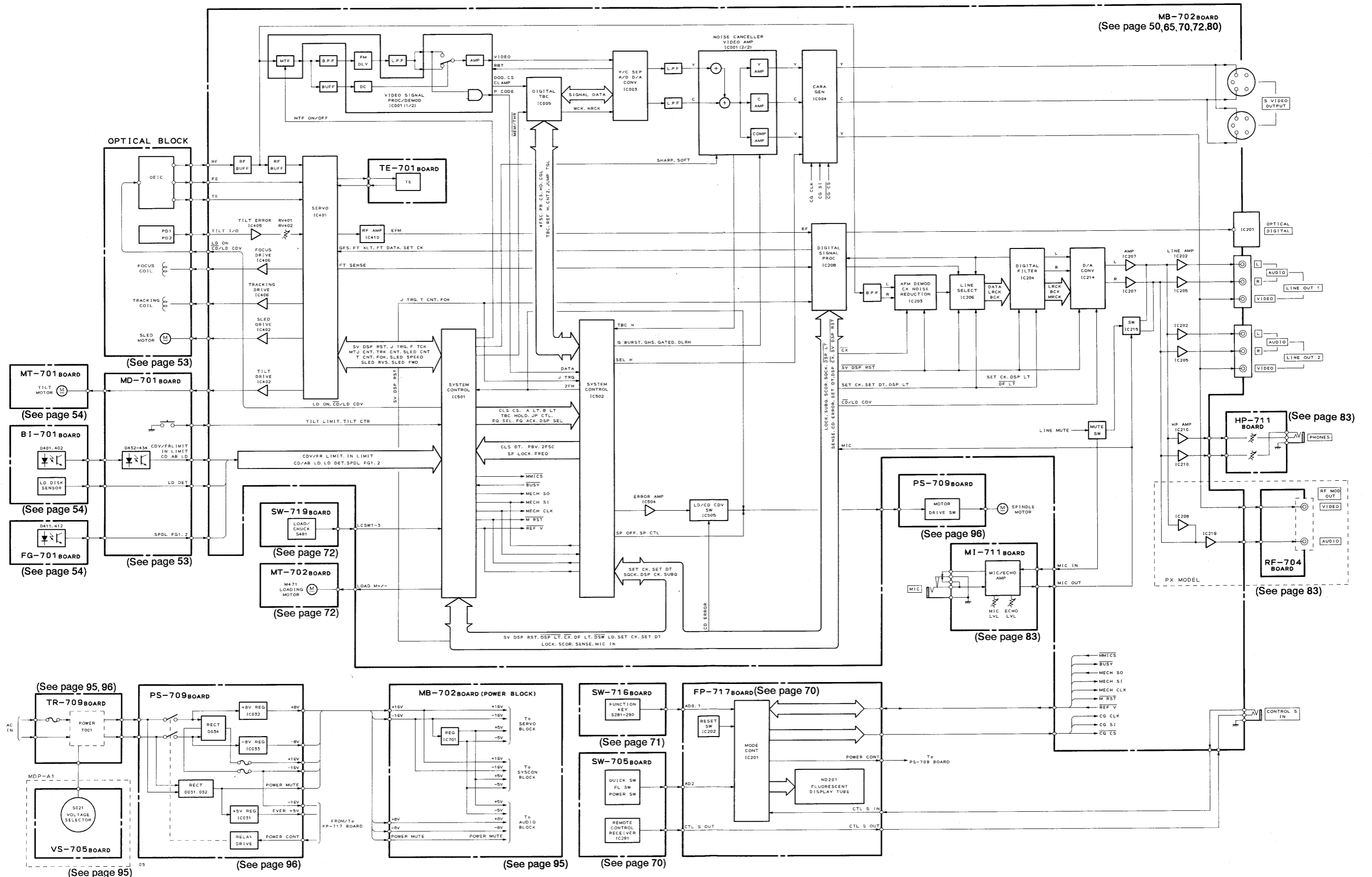


## SECTION 3 DIAGRAMS

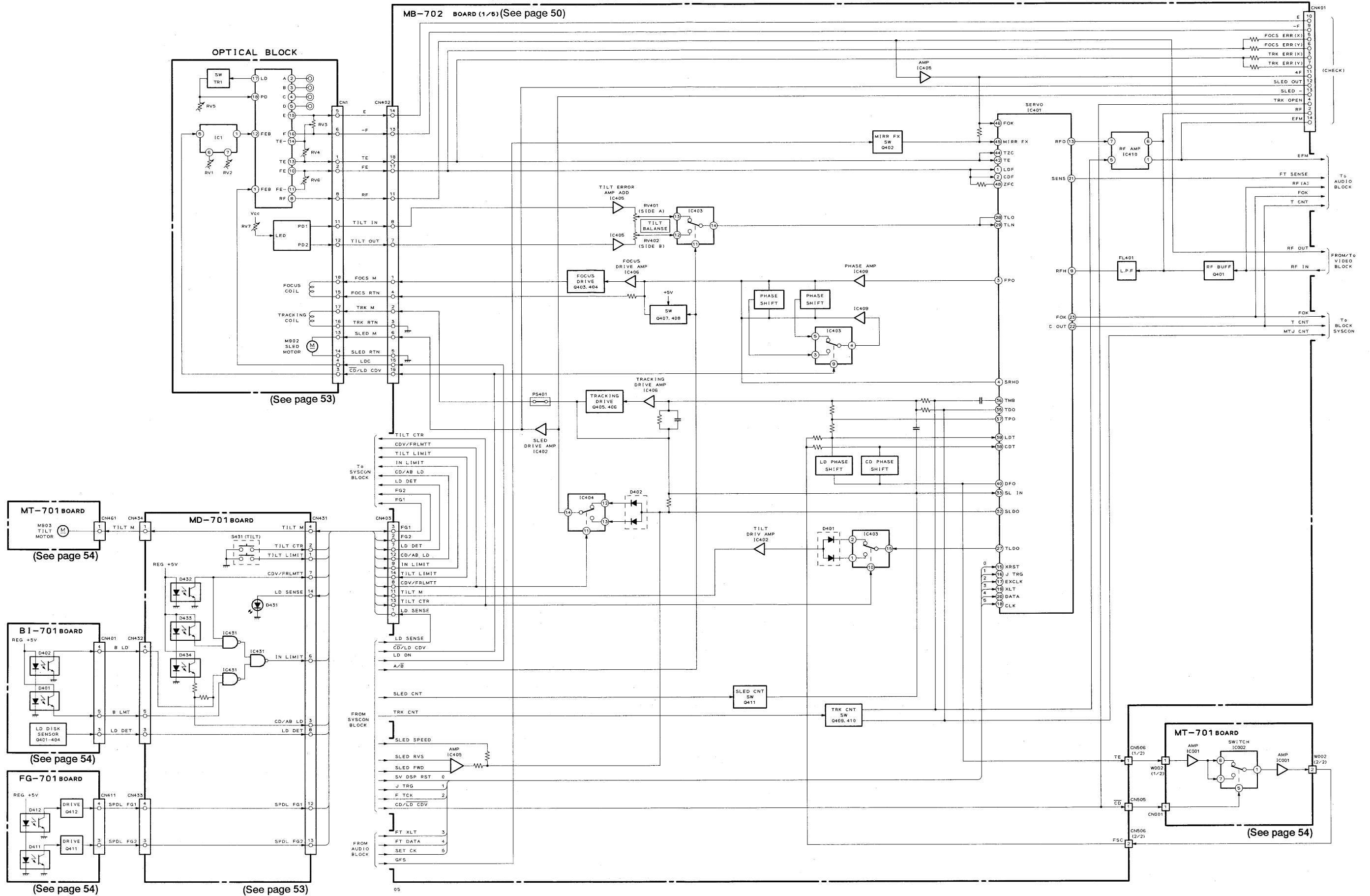
### 3-1. CIRCUIT BOARDS LOCATION



3-2. OVERALL BLOCK DIAGRAM



3-3. SERVO BLOCK DIAGRAM

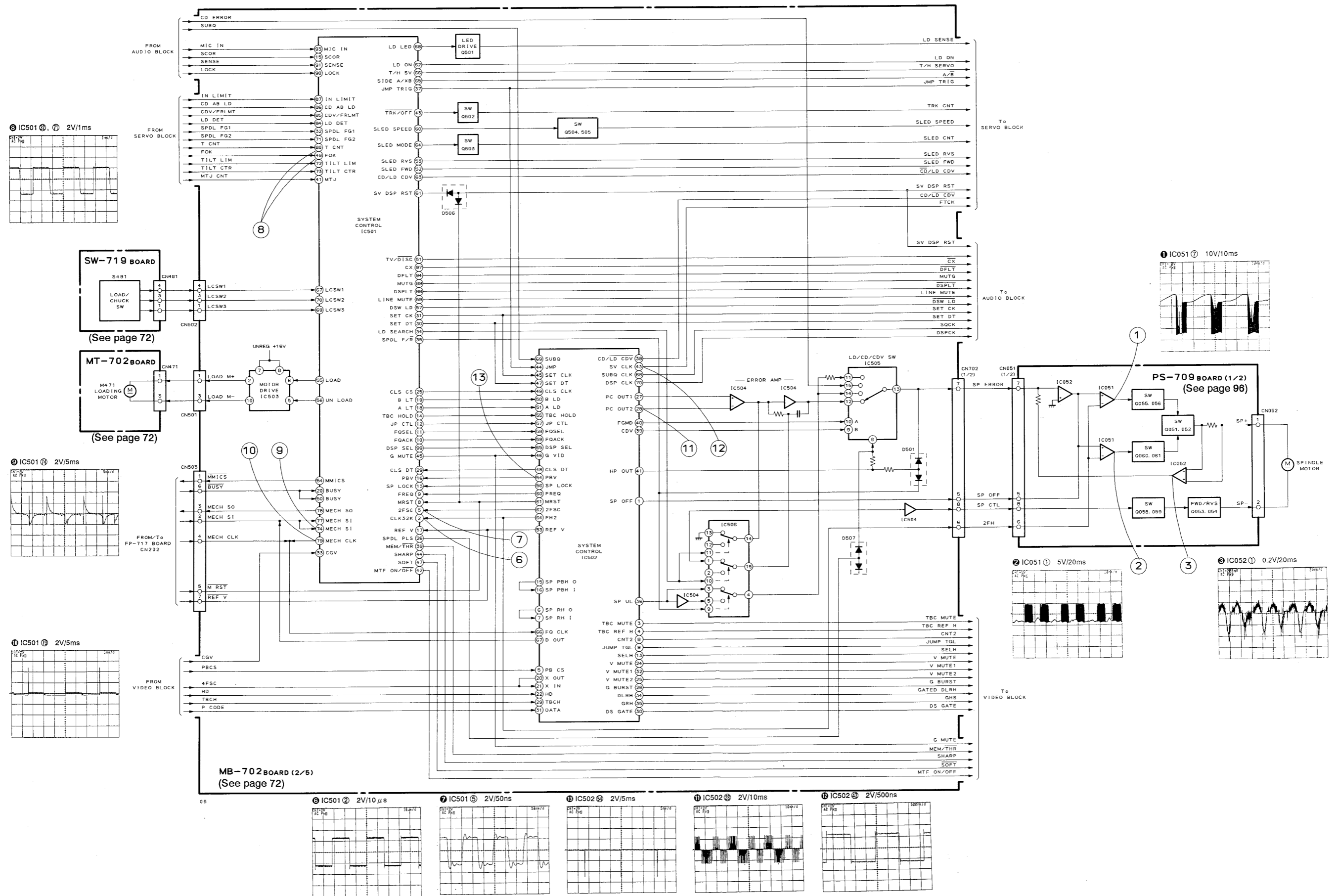


### 3-4. MB-702 BOARD IC501 MB89094 PIN FUNCTION

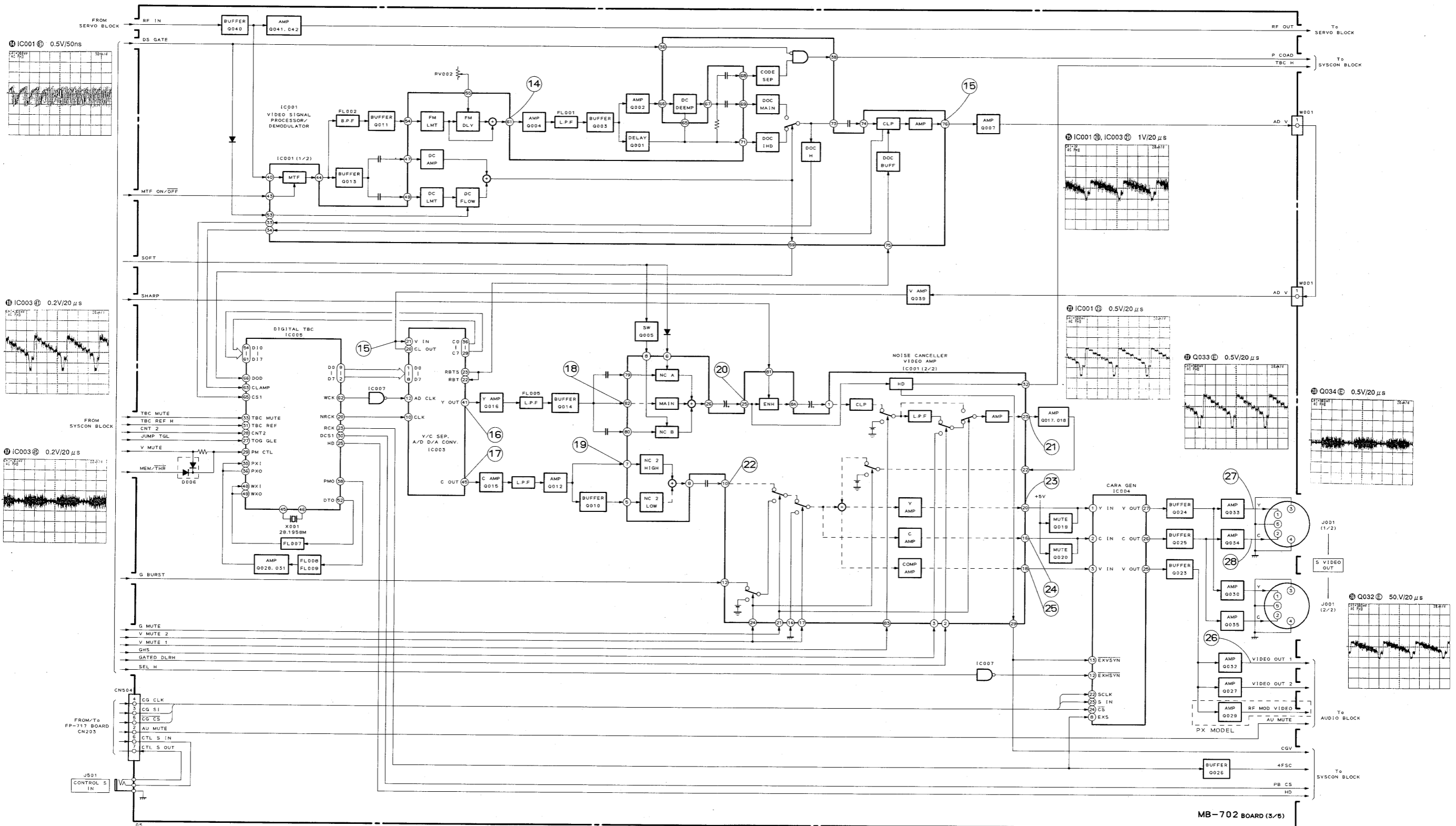
Pin No.	Pin Name	I/O	Description
1	N/C		
2	CLK32	I	CRYSTAL OSCILLATOR (32.4kHz) input
3	GND	I	
4	GND	I	
5	2F5C	I	CRYSTAL OSCILLATOR (2 Esc) input
6	N/C		
7	V <sub>ss</sub>	I	GND
8	XRST	I	RESET TERMINAL (L : RESET)
9	XPRQ	I	PHIL CODE READ OUT ENABLE
10	FQACK	O	DISC DATA READ IN
11	FQSEL	O	PHILLIPS CODE/SUBQ DATA SELECT (L : SUBQ)
12	JPCTR <sub>L</sub>	O	ITI/MTJ SELECT SIGNAL (H : ITI)
13	SPLOCK	I	SPINDLE LOCK SIGNAL (H : DURING SPINDLE LOCKING)
14	TBCHOLDIN	O	CHROMA TBC CONTROL
15	SCOR	I	H WHEN SUB CODE SYNC IS DETECTED
16	XPBV	I	V SYNC SIGNAL
17	XREFV	I	REFERENCE V SYNC SIGNAL
18	ALT	O	A REGISTER LATCH
19	BLT	O	B REGISTER LATCH
20	XBUSY	I	COMMUNICATION ENABLE SIGNAL FROM MMI (H : COMMUNICATION ENABLE)
21			
22	N/C		
23			
24			
25	CLSCS	O	CHIP SELECT FOR READING PHASE DIFFERENCE DATA
26	SPDPLS	O	SPINDLE PULSE DRIVE SIGNAL (H : spd free run)
27	TBRKMON	O	SERVO IC BRAKE MONITOR (H : BRAKE ON)
28	+5V	I	
29	CLSDT	I	SERIAL INPUT DATA
30	SETDT	O	SERIAL OUTPUT DATA
31	SETCK	O	SERIAL TRANSFERRING CLOCK
32	SPDLFG1	I	SPINDLE FG INPUT 1 (I ROTATION : 12WAVES)
33	CGV_MUTE	I	CGV MUTE SIGNAL (H, L OUTPUT) NORMALLY HIIMP
34	LDSEARCH	O	FOR SPD L ER AMP C SHORT (H : DURING SEARCHING)
35	SPDLFR	O	SPINDLE ROTATING DIRECTION SIGNAL (H : FWD)
36	N/C		
37	JMPTRIG	O	TRACK JUMP TRIGGER PULSE OUTPUT
38	MWE	O	NOT USED
39	MEM/THR	O	NOT USED
40	MSTAT	O	NOT USED
41	MTJ	I	TRACKING PULSE GENERATOR FOR MTJ NORMALLY INPUT, OUTPUT DURING ACTIVATE (L : FWD)
42	MTFON/OFF	O	MTF CORRECTION ON/OFF SIGNAL (H : MTF ON)
43	TRK OFF	O	PUT OFF SERVO IC TRACKING CONTROL (L : TRACKING OFF)
44	SHARP	O	PICTURE ENHANCE SHARP
45	GMUTE	O	GRAY SCREEN ON/OFF SIGNAL ON CLS (ON : H)
46	N/C		
47	XSOFT	O	PICTURE ENHANCE SOFT
48	FOK	I	FOCUS LOCK SIGNAL (H : FOCUS LOCK)
49	V <sub>cc</sub>	I	+5V POWER SUPPLY
50	XBUSY	I	COMMUNICATION ENABLE SIGNAL FROM MMI (H : COMMUNICATION ENABLE)

Pin No.	Pin Name	I/O	Description
51	TV/DISC	O	ANTENNA TV / DISC SELECT
52	SLED FWD	O	SLED FWD FORCE MOVE FROM PORT
53	SLED REV	O	SLED REV FORCE MOVE FROM PORT
54	XMMICS	O	COMMUNICATION CHIP SELECT TO MMI
55	LOADING	O	TRAY LOADING DRIVE
56	UNLOADING	O	TRAY EJECT DRIVE
57	XDSW LD	O	YSD221 CHIP SELECT (L : COMMUNICATING)
58	V <sub>ss</sub>	I	GND
59	LINE MUTE	O	AUDIO OUTPUT MUTE SIGNAL (H : MUTE)
60	SLED SPEED	O	SLED DRIVE SPEED CHANGE (L : SLOW)
61	XSV DSP RST	O	SERVO DSP DF RESET (L : RESET)
62	LD ON	O	OPT LIGHT EMITTING • TILT ON (H : EMITTING)
63	XCD/LD CDV	O	CD /VDY : L DURING APART, OTHERS H
64	SLED MODE	O	I : SLED IS IN PLAY MODE
65	SIDE A/B	O	TILT SERVO SIDE SELECT (A : H, B : L)
66	XTH/SV	O	TILT /HIGH SELECT (L : TILT)
67	LCSW1	I	LOADING /CHUCKING POSITION SENSOR INPUT 1
68	XLD LED	O	LED EMITTING SIGNAL FOR DISC DISCRIMINATION
69	LCSW3	I	LOADING /CHUCKING POSITION SENSOR INPUT 2
70	LCSW2	I	LOADING /CHUCKING POSITION SENSOR INPUT 3
71	SPDL FG2	I	SPINDLE FG INPUT 2
72	TILT LIMIT	I	TILT UP /DOWN LIMIT SW INPUT
73	TILT CTR	I	TILT CENTER POSITION SW INPUT
74	MECH SI	I	32 BYTE SERIAL TRANSFERRING DATA INPUT
75	N/C		
76	N/C		
77	MECH SO	I	32 BYTE SERIAL TRANSFERRING DATA OUTPUT
78	MECH SI	O	32 BYTE SERIAL TRANSFERRING DATA INPUT
79	MECH CLK	O	32 BYTE SERIAL TRANSFERRING CLOCK
80	T CNT	I	NOT USED
81	N/C		
82	N/C		
83	AV <sub>ss</sub>	I	GND
84	LDDT	I	A /D INPUT THERE IS DISC OR NOT, 8 /12 INCH DETECTION
85	CDV/FRLMT	I	A /DINPUT SLED POSITION INFORMATION (CDV)
86	CD ABLD	I	A /DINPUT SLED POSITION INFORMATION (CD, ALD, BLD)
87	INLIMIT	I	A /DINPUT SLED POSITION INFORMATION (INLIMIT)
88	XDSP LT	O	DSP LATCH SIGNAL
89	MUTG	O	DSP MUTE SIGNAL (H : MUTE)
90	LOCK	I	FRAME SYNC (EFM) LOCK SIGNAL (H LOCK)
91	SENSE	I	VARIOUS SENSE INPUT SIGNAL FROM DSP
92	AV <sub>cc</sub>	I	+5V POWER SUPPLY
93	MIC IN	I	NOT USED
94	XDFLT	O	DIGITAL FILTER LATCH SIGNAL
95	ASSIST	O	NOT USED
96	KCS	O	NOT USED
97	CX	O	CX ON /OFF (H : ON)
98	N/C		
99	XDSPSEL	O	SELECTS COMMUNICATION WITH DSP (L : CONNECT, H : SEPARATE)
100	V <sub>cc</sub>	I	POWER SUPPLY TERMINAL (+5V)

### 3-5. SYSTEM CONTROL BLOCK DIAGRAM

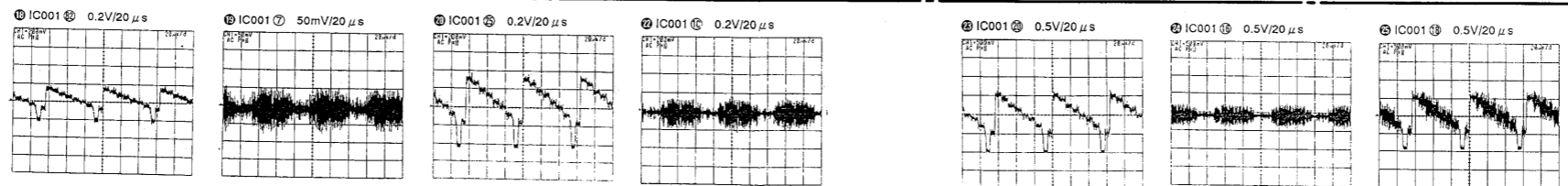


3-6. VIDEO BLOCK DIAGRAM



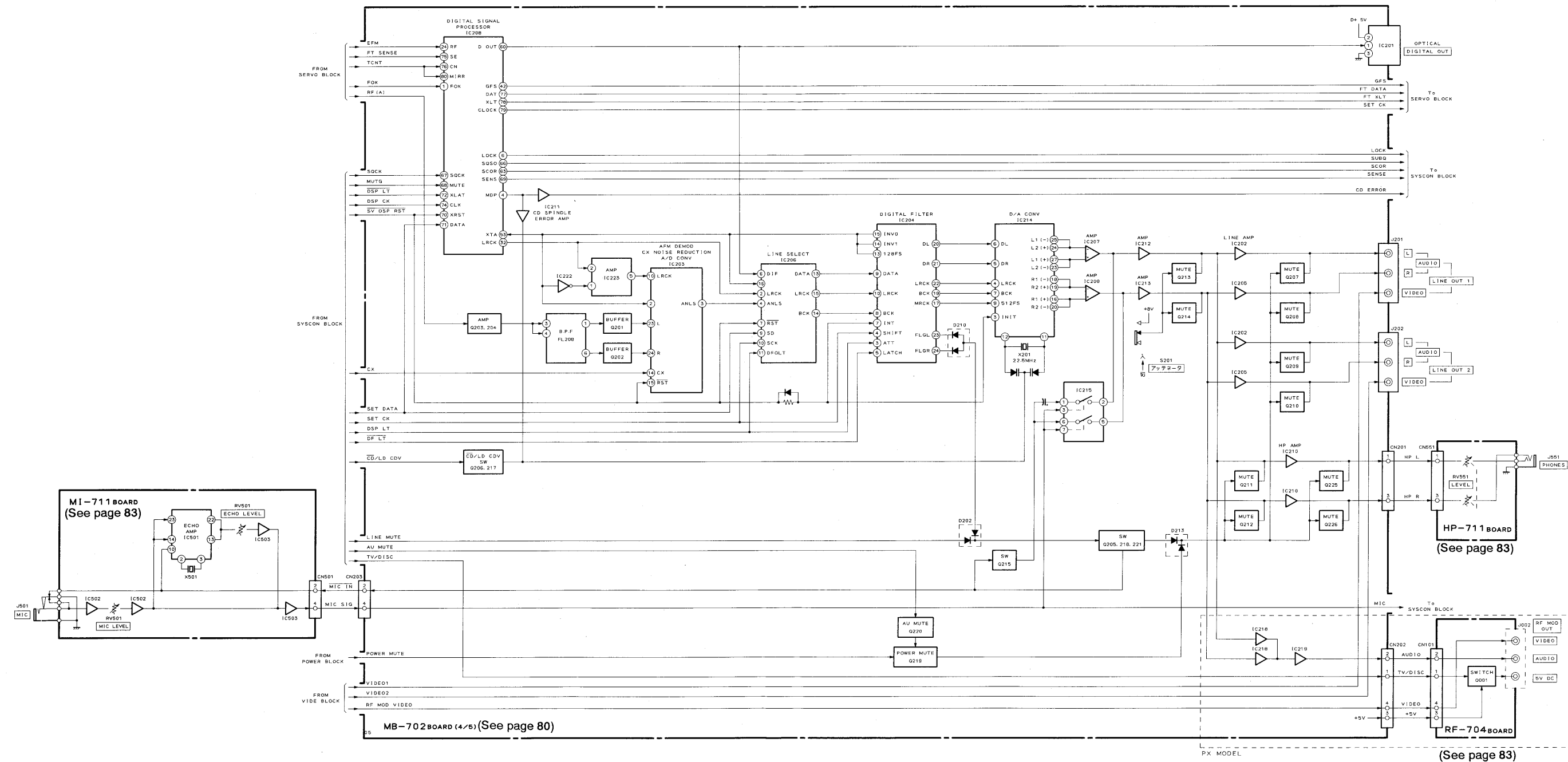
MB-702 BOARD (5/5)

(See page 65)

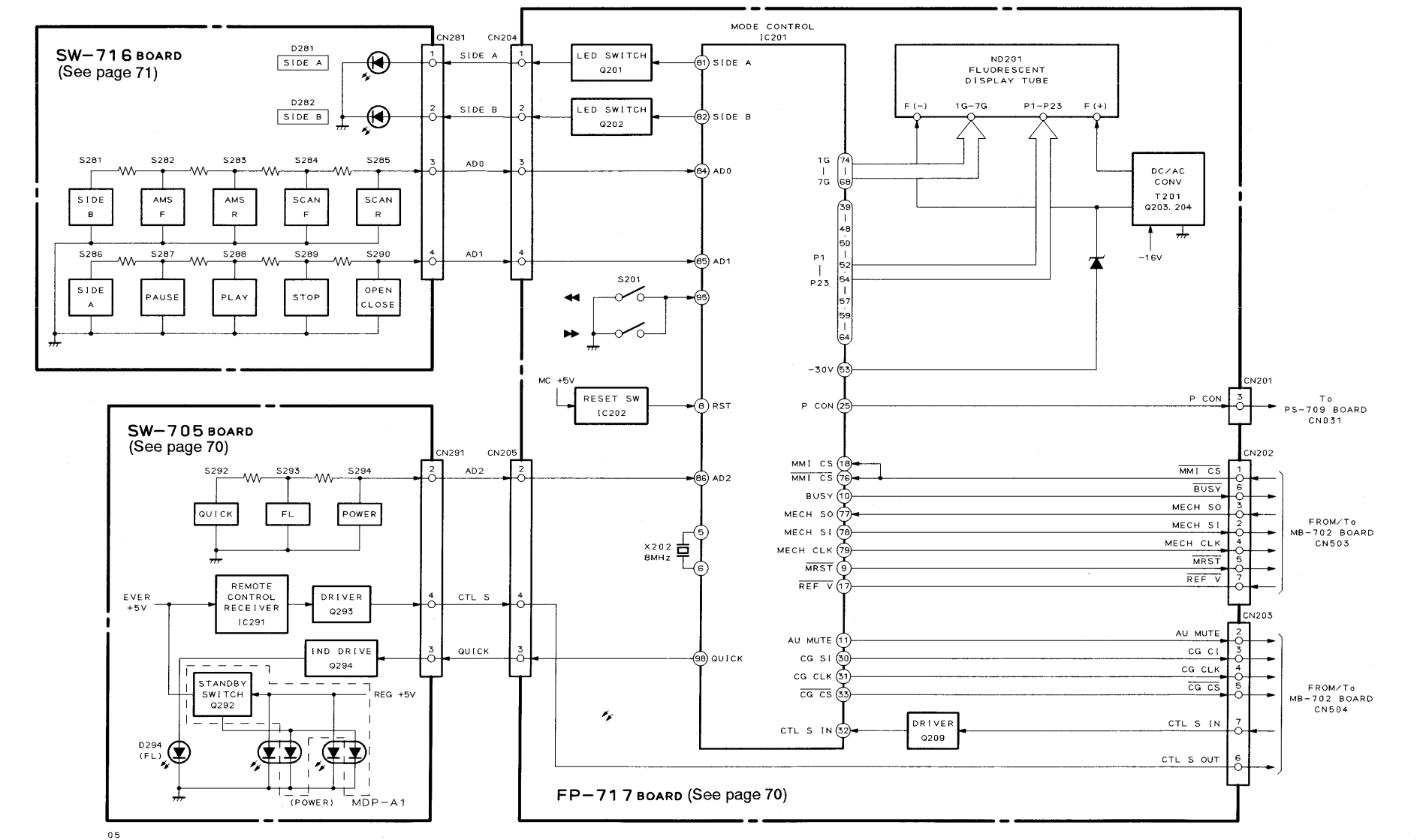




3-7. AUDIO BLOCK DIAGRAM



3-8. MODE CONTROL BLOCK DIAGRAM

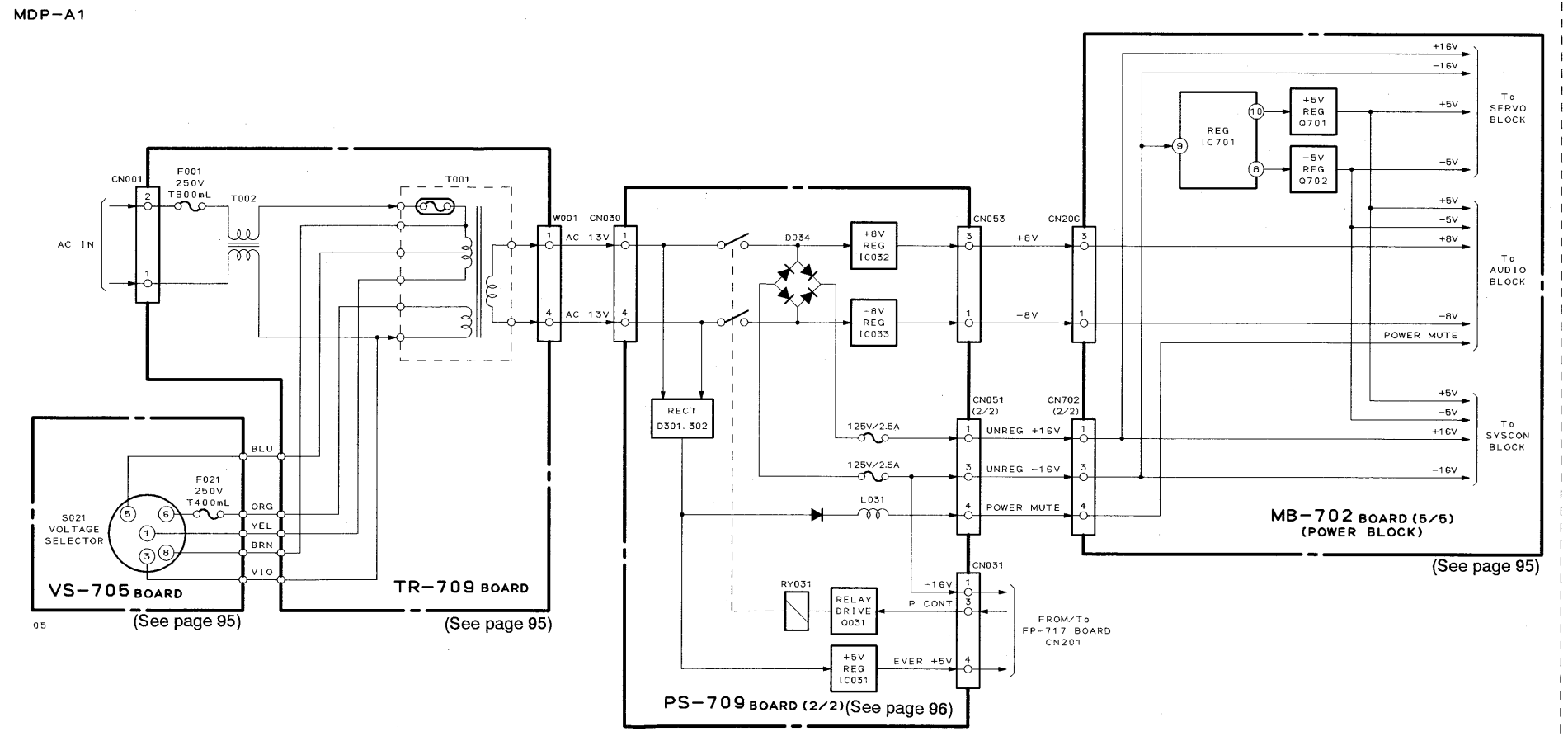
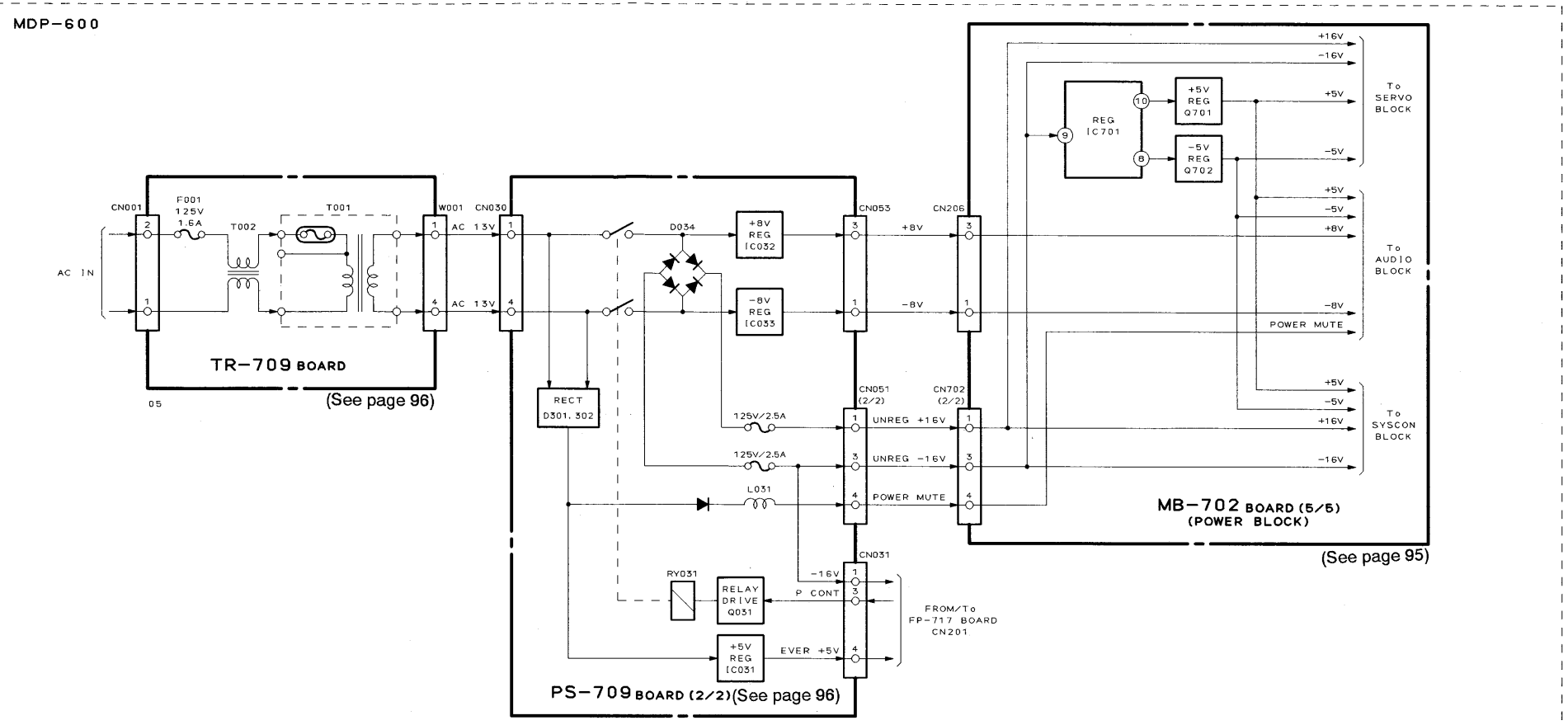


### 3-9. FP-717 BOARD IC201 MB89095 PIN FUNCTION

Pin No.	Pin Name	I/O	Description
1	CLK32KHZ	O	FOR CRYSTAL OSCILLATOR (32 KHZ)
2	CLK32KHZ	I	FOR CRYSTAL OSCILLATOR (32 KHZ)
3	GND	I	
4	GND	I	
5	CLK8MHZ	I	FOR CRYSTAL OSCILLATOR (8 MHz)
6	CLK8MHZ	O	FOR CRYSTAL OSCILLATOR (8 MHz)
7	V <sub>ss</sub>	I	GND
8	X RST	I	RESET IN (L: RESET)
9	X MRST	I	SLC RESET IN (L: RESET)
10	X BUSY	O	L WHEN COMMUNICATING WITH SLC
11	AUMUTE	O	H WHEN AUDIO MUTING
12	?		
16	N.C		
17	X REFV	I	REFERENCE V SYNC SIGNAL
18	XMMICS	I	CHIP SELECT FOR COMMUNICATION WITH SLC (L: COMMUNICATING)
19	?		
24	N.C		
25	POWERCTR	O	POWER ON/OFF CONTROL OF THE SET (H: POWER ON)
26	N.C		
27	N.C		
28	+5V PULLUP	I	START MODE SELECTIONS INPUT AFTER IS RELEASED
29	N.C		
30	CGSI	O	CHARACTER GENERATOR SERIAL TRANSFERRING DATA OUT
31	CGCLK	O	CHARACTER GENERATOR SERIAL TRANSFERRING DATA CLOCK OUT
32	SIRCS IN	I	SIRCS DATA IN
33	XCGCS	O	CHARACTER GENERATOR SERIAL TRANSFERRING CHIP SELECT (L: COMMUNICATING)
34	?		
38	N.C		
39	FLP1	O	FL TUBE SEGMENT OUT
40	P2	O	FL TUBE SEGMENT OUT
41	P3	O	FL TUBE SEGMENT OUT
42	P4	O	FL TUBE SEGMENT OUT
43	P5	O	FL TUBE SEGMENT OUT
44	P6	O	FL TUBE SEGMENT OUT
45	P7	O	FL TUBE SEGMENT OUT
46	P8	O	FL TUBE SEGMENT OUT
47	P9	O	FL TUBE SEGMENT OUT
48	P10	O	FL TUBE SEGMENT OUT
49	V <sub>cc</sub>	I	EVER +5V POWER SUPPLY
50	FLP11	O	FL TUBE SEGMENT OUT
51	P12	O	FL TUBE SEGMENT OUT
52	P13	O	FL TUBE SEGMENT OUT
53	VRDP	I	-30V HIGH WITH SAND VOLT PGE PULL DOWN POWER SUPPLY
54	FLP14	O	FL TUBE SEGMENT OUT
55	P15	O	FL TUBE SEGMENT OUT
56	P16	O	FL TUBE SEGMENT OUT

Pin No.	Pin Name	I/O	Description
57	FLP17	O	FL TUBE SEGMENT OUT
58	V <sub>ss</sub>	I	GND
59	FLP18	O	FL TUBE SEGMENT OUT
60	P19	O	FL TUBE SEGMENT OUT
61	P20	O	FL TUBE SEGMENT OUT
62	P21	O	FL TUBE SEGMENT OUT
63	P22	O	FL TUBE SEGMENT OUT
64	P23	O	FL TUBE SEGMENT OUT
65	N.C	O	
66	N.C	O	
67	V <sub>cc</sub>	I	EVER +5V POWER SUPPLY
68	FL7G	O	FL TUBE GRID OUT
69	6G	O	FL TUBE GRID OUT
70	5G	O	FL TUBE GRID OUT
71	4G	O	FL TUBE GRID OUT
72	3G	O	FL TUBE GRID OUT
73	2G	O	FL TUBE GRID OUT
74	1G	O	FL TUBE GRID OUT
75	N.C		
76	XMMICS	I	32 BYTE SERIAL TRANSFERRING CHIP SELECT (L: COMMUNICATING)
77	MECH SO	I	32 BYTE SERIAL TRANSFERRING DATA INPUT
78	MECH SI	O	32 BYTE SERIAL TRANSFERRING DATA OUTPUT
79	MECH CLK	O	32 BYTE SERIAL TRANSFERRING CLOCK
80	N.C		
81	XSA LED	O	SIDE A LED OUT (L: LIGHTING UP)
82	XSB LED	O	SIDE B LED OUT (L: LIGHTING UP)
83	AV <sub>ss</sub>	I	GND
84	AD0	I	KEY INPUT
85	AD1	I	KEY INPUT
86	AD2	I	KEY INPUT
87	?		
91	N.C		
92	AV <sub>cc</sub>	I	EVER +5V POWER SUPPLY
93	N.C		
94	-16V MONITOR	I	-16V MONITOR
95	AD3	I	DOOR SWITCH INPUT
96	REG. MONITOR	I	REG +5V MONITOR
97	N.C		
98	X QUICK LED	I	DIRECT ACCESS LED OUTPUT (L: LIGHTING UP)
99	N.C		
100	V <sub>cc</sub>	I	EVER +5V POWER SUPPLY

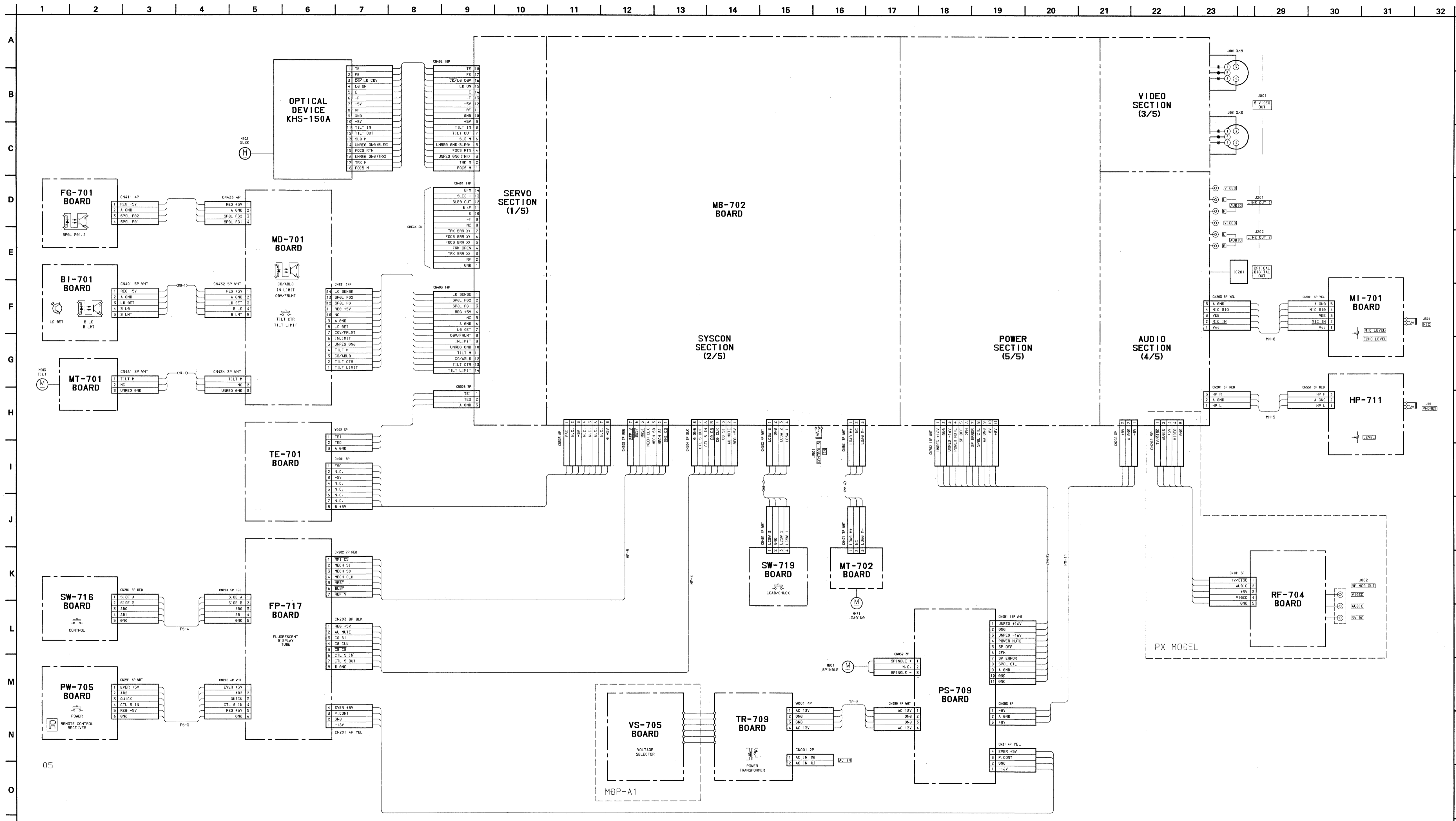
3-10. POWER SUPPLY BLOCK DIAGRAM





SECTION 4  
PRINTED WIRING BOARDS AND SCHEMATIC DIAGRAM

4-1. FRAME SCHEMATIC DIAGRAM



4-2. PRINTED WIRING BOARDS AND SCHEMATIC DIAGRAMS

THIS NOTE IS COMMON FOR PRINTED WIRING BOARDS AND SCHEMATIC DIAGRAMS. (In addition to this, the necessary note is printed in each block.)

- For printed wiring boards:
- : Indicates a lead wire mounted on the component side.
  - : Indicates a lead wire mounted on the printed side.
  - (with dot) : Through hole.
  - (with dot) : Pattern from the side which enables seeing.
  - (with diagonal lines) : Pattern of the rear side.\*

Caution: Pattern face side: Parts on the pattern face side seen from the (Conductor Side) pattern face are indicated. Parts face side: Parts on the parts face side seen from the (Component Side) parts face are indicated.

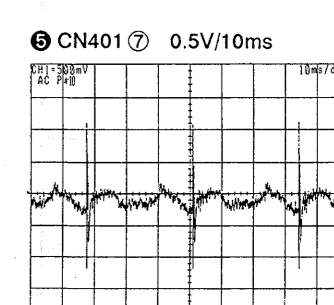
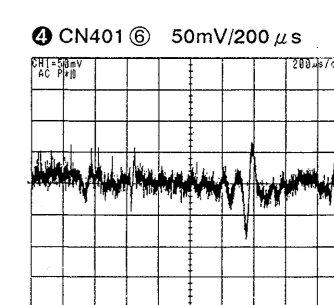
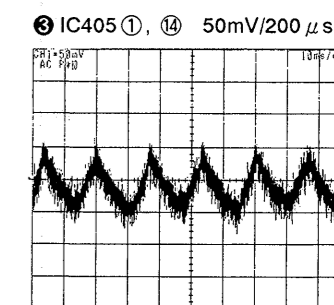
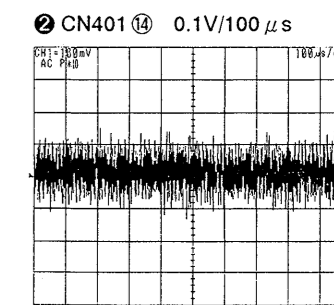
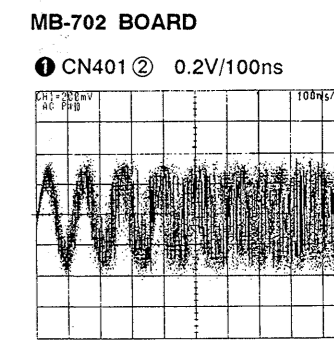
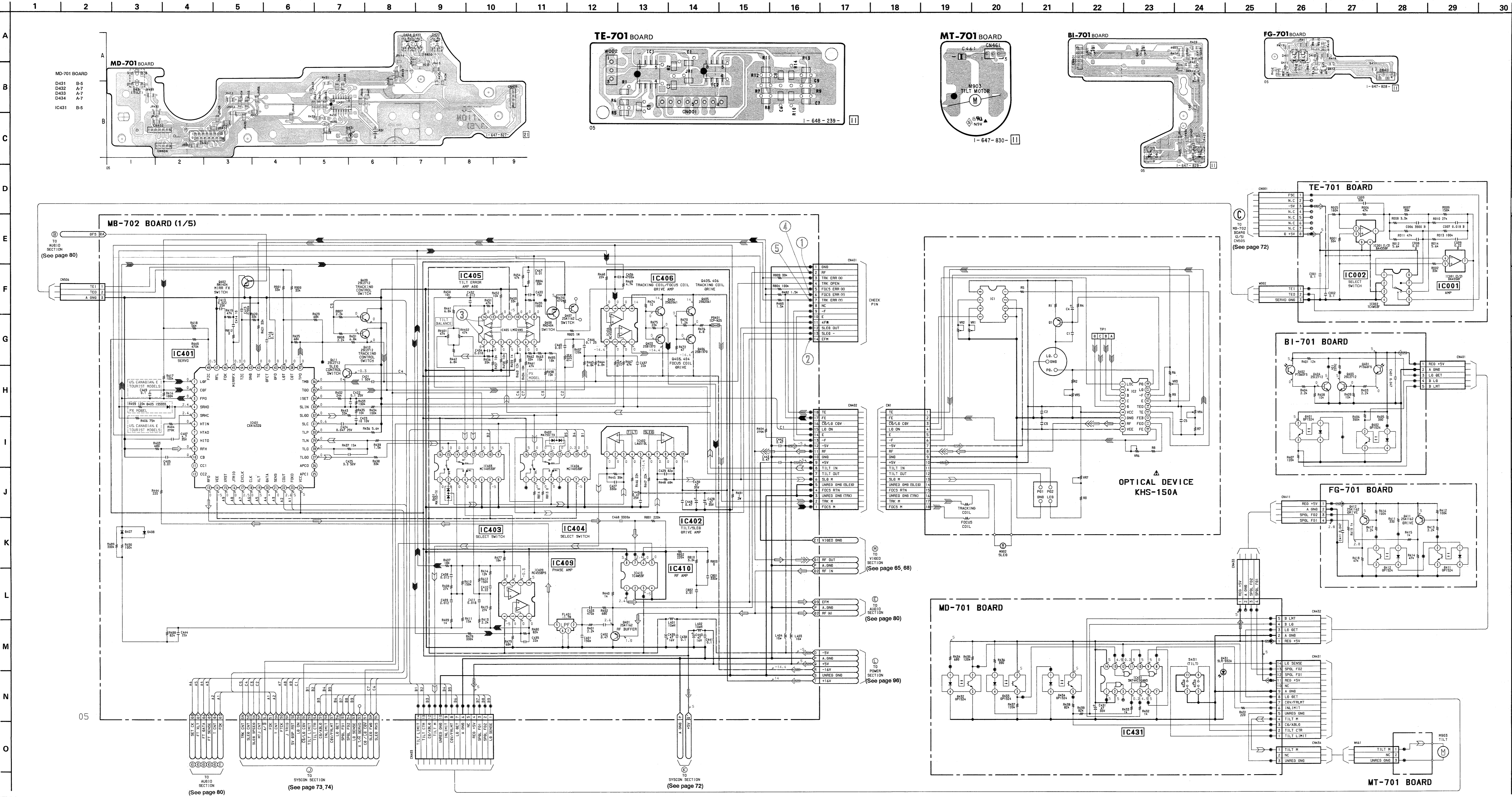
- For schematic diagram:
- Caution when replacing chip parts. New parts must be attached after removal of chip. Be careful not to heat the minus side of tantalum capacitor, because it is damaged by the heat.
  - All resistors are in ohms, 1/4W (Chip resistors: 1/10W) unless otherwise noted. kΩ: 1000Ω, MΩ: 1000kΩ.
  - All capacitors are in μF unless otherwise noted. pF: 100pF, 50V or less are not indicated except for electrolytics and tantalums.
  - All variable and adjustable resistors have characteristic curve B, unless otherwise noted.
  - □ (with diagonal lines) : nonflammable resistor.
  - □ (with horizontal lines) : fusible resistor.
  - □ (with vertical lines) : panel designation.
  - □ (with diagonal lines and dot) : internal component.
  - □ (with diagonal lines and triangle) : adjustment for repair.\*
  - □ (with diagonal lines and asterisk) : B + Line.\*
  - □ (with diagonal lines and dash) : B - Line.\*
  - Voltages are dc between measurement points and ground unless otherwise noted.\*
  - Readings are taken with a color-bar signal playback.\*
  - Readings are taken with a digital multimeter (DC10MΩ).\*
  - Voltage variations may be noted due to normal production tolerances.
  - □ (with arrow) : IN/OUT direction of B line (+, -).\*
  - □ (with circle) : Circled numbers refer to waveforms.\*

When indicating parts by reference number, please include the board name.

Note: The components identified by mark □ or dotted line with mark □ are critical for safety. Replace only with part number specified.

Note: Les composants identifiés par une marque □ sont critiques pour la sécurité. Ne les remplacer que par une pièce portant le numéro spécifié.

- \* : Indicated by the color red.



	VIDEO SIGNAL			AUDIO SIGNAL
	CHROMA	Y	Y/CHROMA	
PB	⇐	⇨	⇨⇨	⇨
SPINDLE PHASE SERVO				
SPINDLE SERVO (SPEED AND PHASE)				
TRACKING SERVO LD/CD/CDV				
SLIDE SERVO LD/CD				
FOCUS SERVO LD/CD				
SKEW SERVO LD TILT				

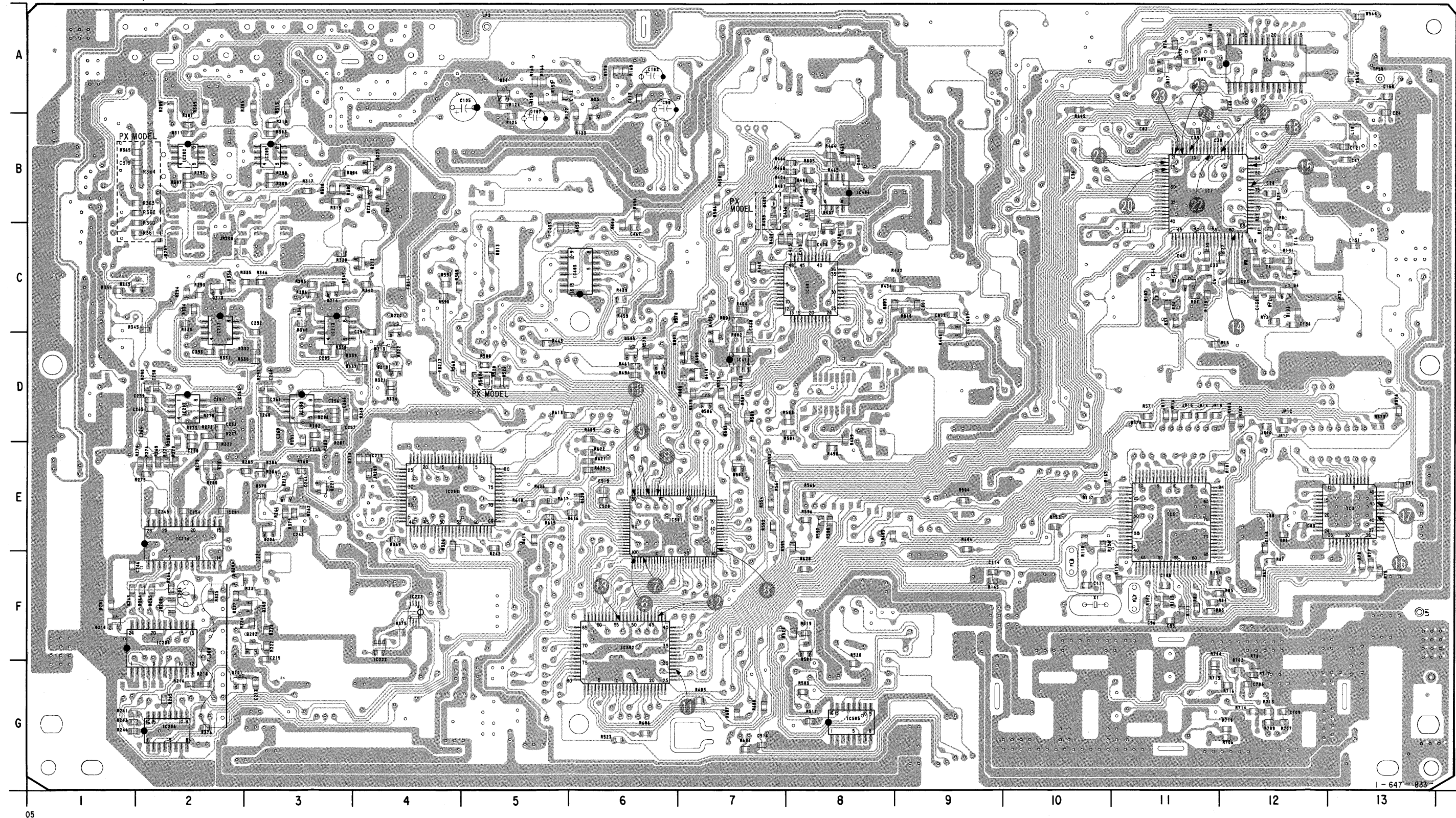
MB-702 (RF AMPLIFIER, SERVO) PRINTED WIRING BOARD

- Ref. No.: MB-702 Board; 1,000 series -

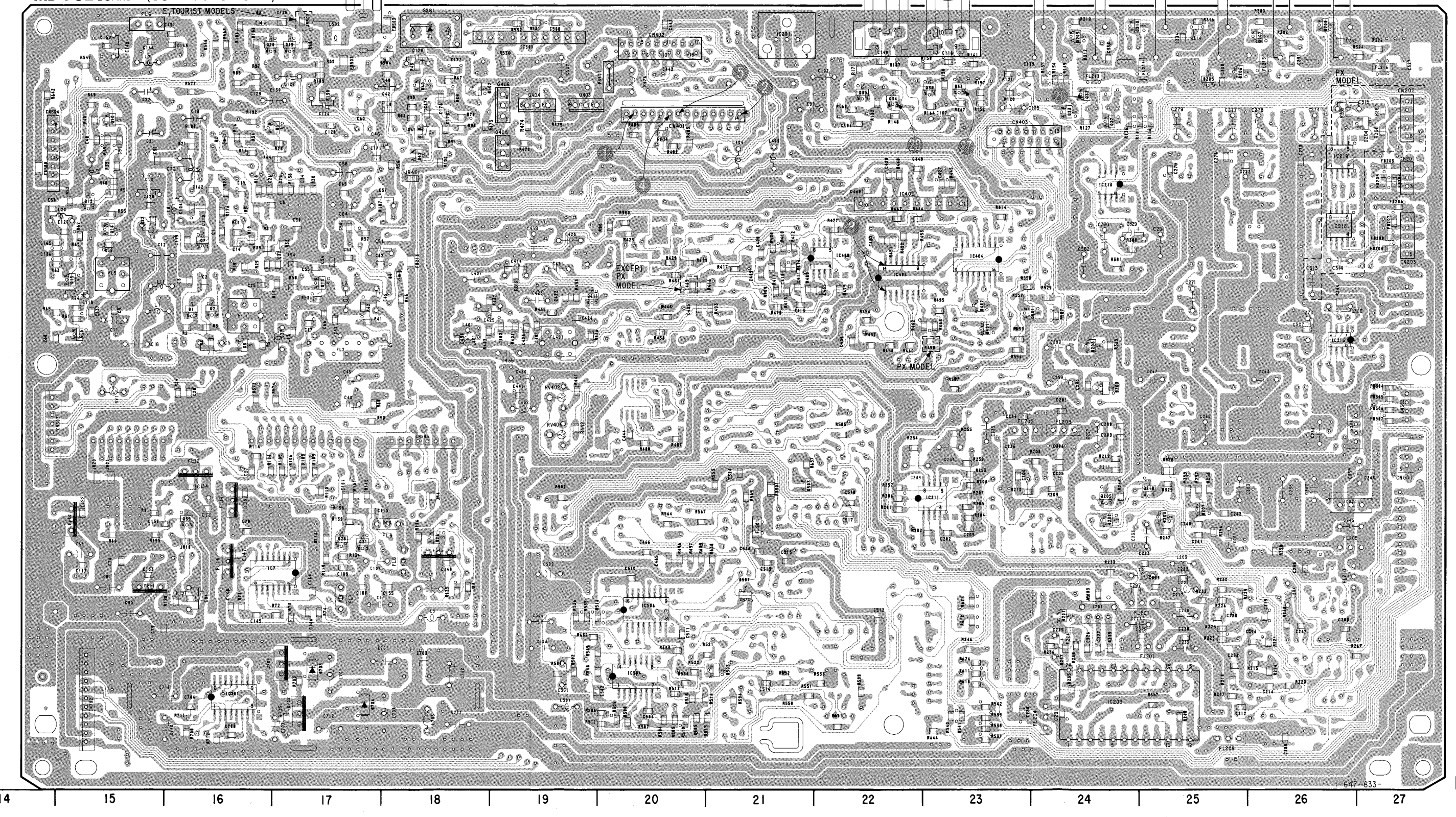
MB-702 BOARD

D002	B-16	Q007	C-16
D003	A-16	Q010	B-15
D004	C-18	Q011	C-11
D201	F-24	Q012	B-15
D202	E-24	Q015	C-17
D203	E-25	Q014	C-15
D205	A-25	Q015	C-15
D206	A-25	Q016	D-15
D207	E-25	Q017	B-11
D208	D-24	Q018	A-11
D209	D-24	Q019	A-17
D210	F-1	Q020	A-16
D213	D-4	Q023	A-24
D401	C-23	Q024	A-5
D402	C-23	Q025	A-6
D405	B-7	Q026	E-18
D501	F-9	Q027	B-24
D502	A-18	Q028	E-17
D503	G-21	Q030	A-22
D504	A-17	Q031	E-17
D506	D-7	Q032	A-24
D507	F-21	Q033	A-23
D703	G-17	Q034	A-22
D704	G-17	Q035	A-22
IC001	B-11	Q039	E-18
IC003	E-13	Q041	B-18
IC004	A-12	Q042	B-18
IC005	E-11	Q201	G-2
IC007	F-16	Q202	F-3
IC201	A-21	Q203	F-3
IC202	B-2	Q204	F-2
IC203	G-24	Q205	E-24
IC204	F-2	Q206	E-3
IC205	B-3	Q207	A-26
IC206	G-2	Q208	A-26
IC207	D-2	Q209	A-24
IC208	E-4	Q210	A-24
IC209	D-3	Q211	B-4
IC210	B-24	Q212	C-4
IC211	E-23	Q213	C-2
IC212	C-2	Q214	C-3
IC213	C-3	Q215	C-1
IC214	E-2	Q217	E-3
IC215	D-25	Q218	E-25
IC220	E-25	Q219	D-4
IC222	F-4	Q220	C-4
IC223	F-4	Q221	E-3
IC401	C-8	Q225	B-4
IC402	B-22	Q226	B-4
IC403	C-8	Q401	C-9
IC404	C-23	Q402	D-7
IC405	C-22	Q403	A-19
IC406	A-8	Q404	A-19
IC408	C-22	Q405	B-19
IC410	D-7	Q406	A-19
IC501	E-6	Q407	C-8
IC502	F-6	Q408	B-8
IC503	A-19	Q409	D-7
IC504	G-20	Q410	D-7
IC505	G-8	Q411	C-19
IC506	F-20	Q501	C-23
IC701	G-16	Q502	E-7
		Q503	E-21
Q001	C-16	Q504	D-6
Q002	C-16	Q505	D-6
Q003	D-16	Q701	G-16
Q004	C-12	Q702	G-17
Q005	B-16		

MB-702 BOARD (COMPONENT SIDE)



MB-702 BOARD (CONDUCTOR SIDE)



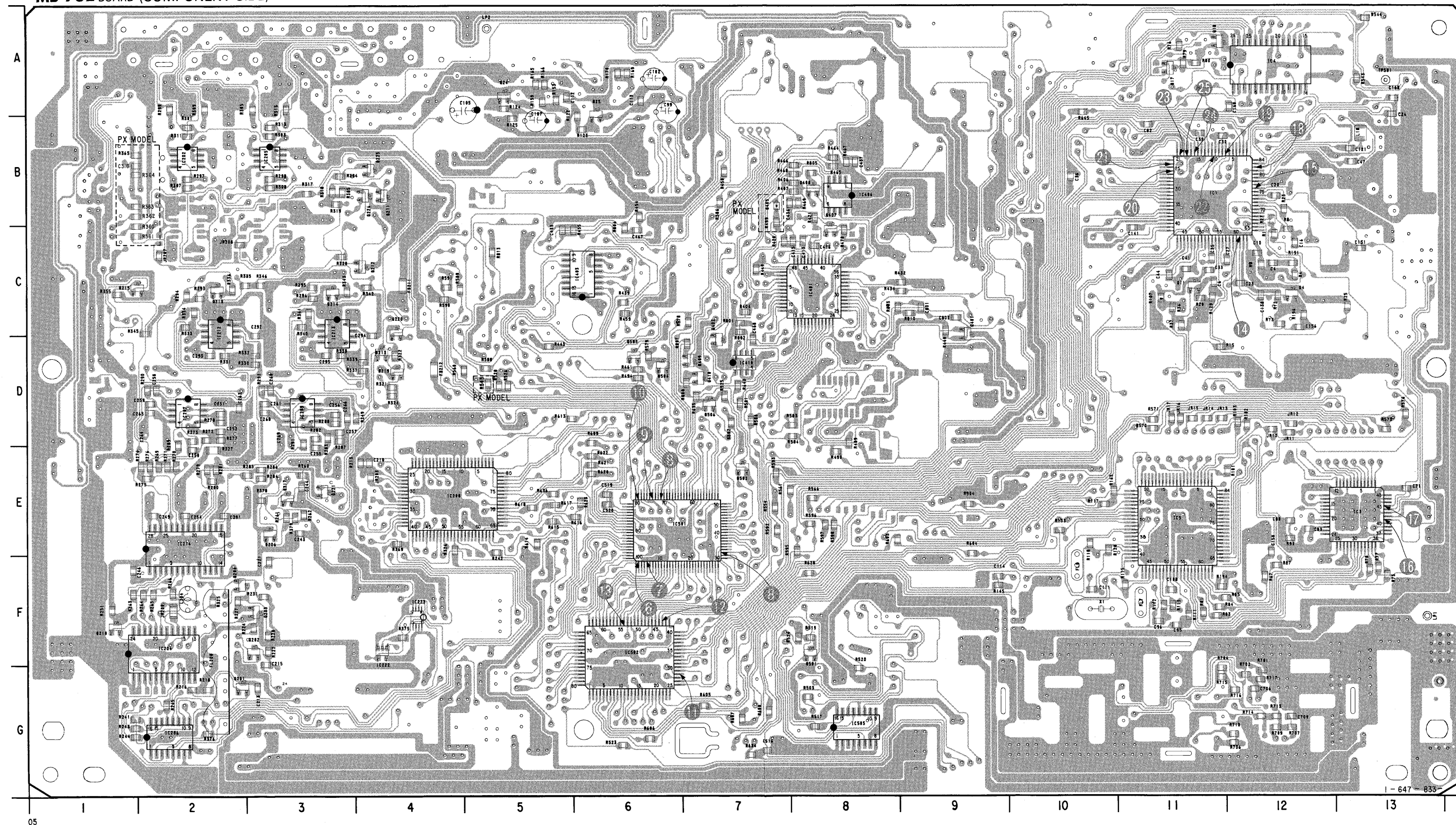
**MB-702 (VIDEO) PRINTED WIRING BOARD**

— Ref. No.: MB-702 Board; 1,000 series —

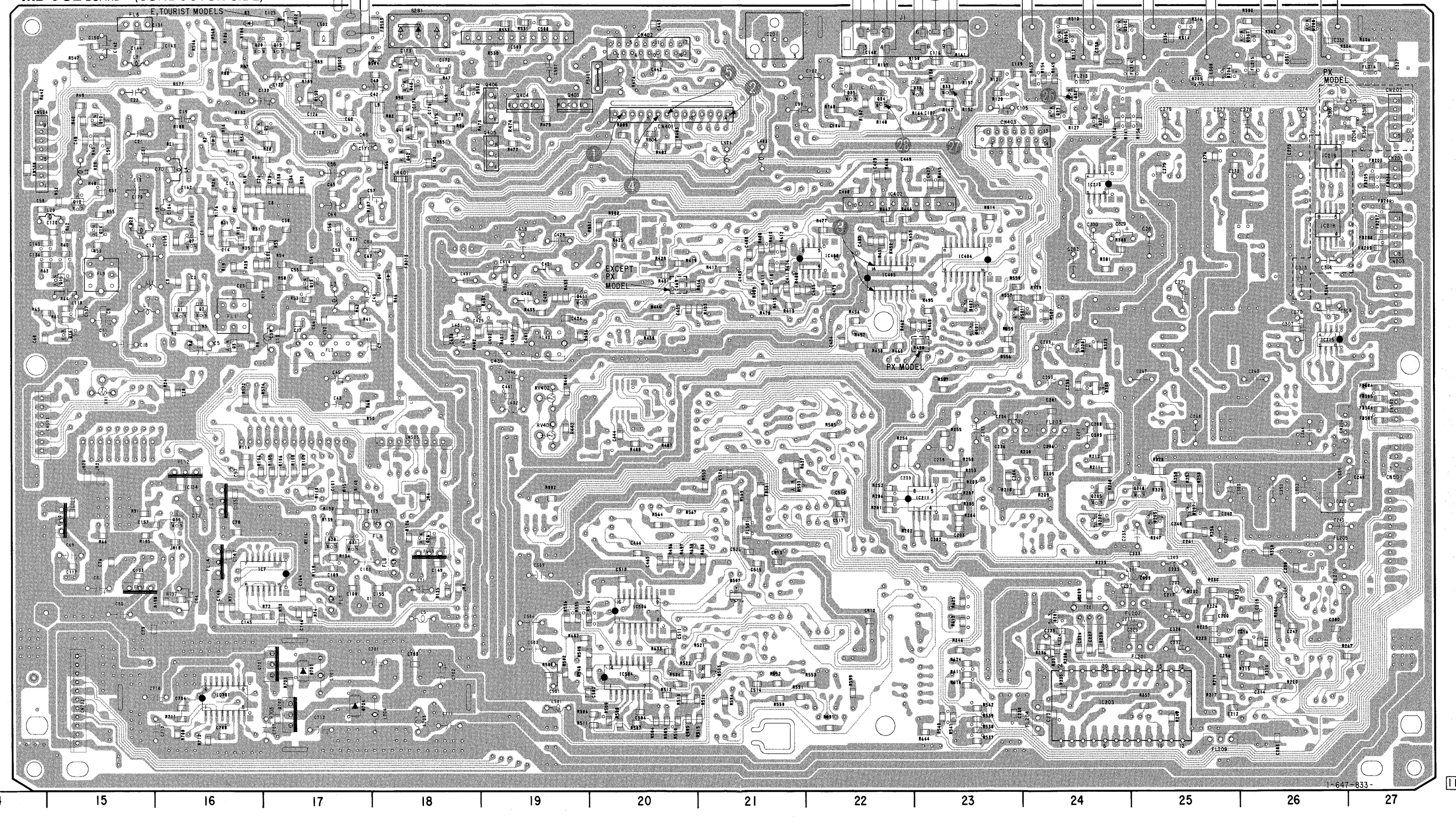
**MB-702 BOARD**

D002	B-16	O007	C-16
D003	A-16	O010	B-15
D004	C-18	O011	C-11
D201	F-24	O012	B-15
D202	E-24	O013	C-17
D203	E-25	O014	C-15
D205	A-25	O015	C-15
D206	A-25	O016	D-15
D207	E-25	O017	A-11
D208	D-24	O018	A-11
D209	D-24	O018	A-17
D210	F-1	O020	A-16
D213	D-4	O023	A-24
D401	C-23	O024	A-5
D402	C-23	O025	A-6
O405	B-7	O026	E-18
D501	F-8	O027	B-24
D502	A-18	O028	E-17
D503	G-21	O030	A-22
D504	A-17	O031	E-17
D506	D-7	O032	A-24
D507	F-21	O033	A-23
D703	G-17	O034	A-22
D704	G-17	O035	A-22
		O039	E-16
IC001	B-11	O040	A-18
IC003	E-13	O041	B-18
IC004	A-12	O042	A-17
IC005	E-11	O201	G-2
IC007	F-16	O202	F-3
IC201	A-21	O203	F-3
IC202	B-2	O204	F-2
IC203	Q-24	O205	E-24
IC204	F-2	O206	E-3
IC205	B-3	O207	A-26
IC206	G-2	O208	A-26
IC207	D-2	O208	A-24
IC208	E-4	O210	A-24
IC209	D-3	O211	B-4
IC210	B-24	O212	C-4
IC211	E-23	O213	C-2
IC212	C-2	O214	C-3
IC213	C-3	O215	C-1
IC214	E-2	O217	E-3
IC215	D-25	O218	E-25
IC220	E-25	O219	D-4
IC222	F-4	O220	C-4
IC223	F-4	O221	E-3
IC401	C-8	O225	B-4
IC402	B-22	O226	B-4
IC403	C-6	O401	C-6
IC404	C-23	O402	D-7
IC405	C-22	O403	A-19
IC406	A-8	O404	A-19
IC408	C-22	O405	B-19
IC410	D-7	O406	A-19
IC501	E-8	O407	C-8
IC502	F-6	O408	B-8
IC503	A-19	O409	D-7
IC504	G-20	O410	D-7
IC505	G-8	O411	C-19
IC506	F-20	O501	C-23
IC701	G-16	O502	E-7
		O503	E-21
O001	C-16	O504	D-6
O002	C-16	O505	D-6
O003	D-16	O702	G-16
O004	C-12		
O005	B-16		

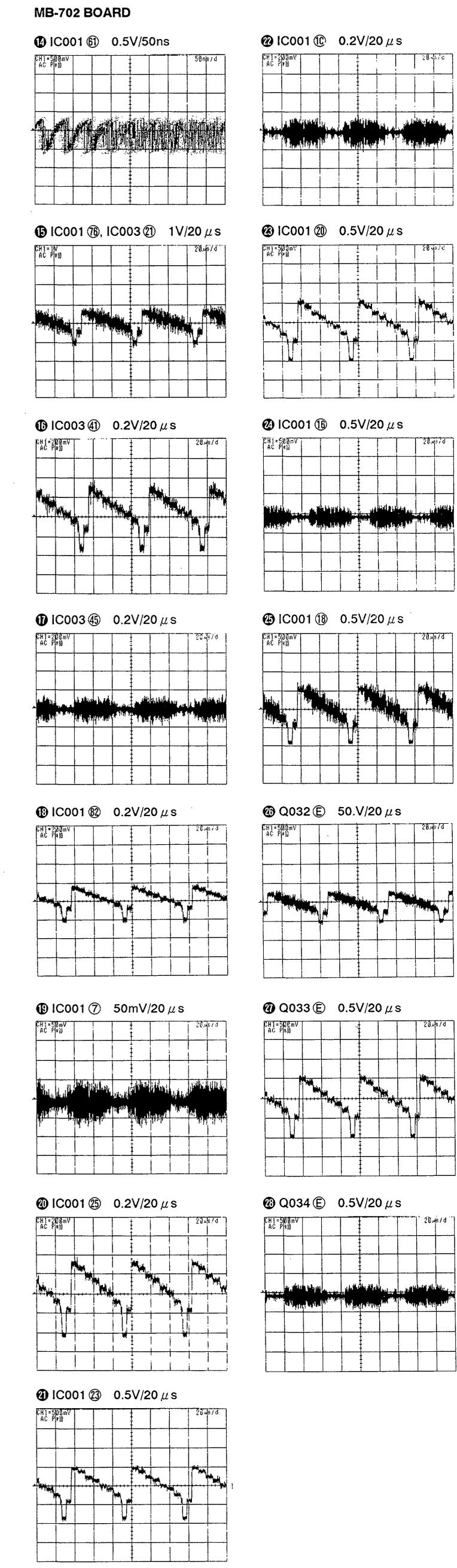
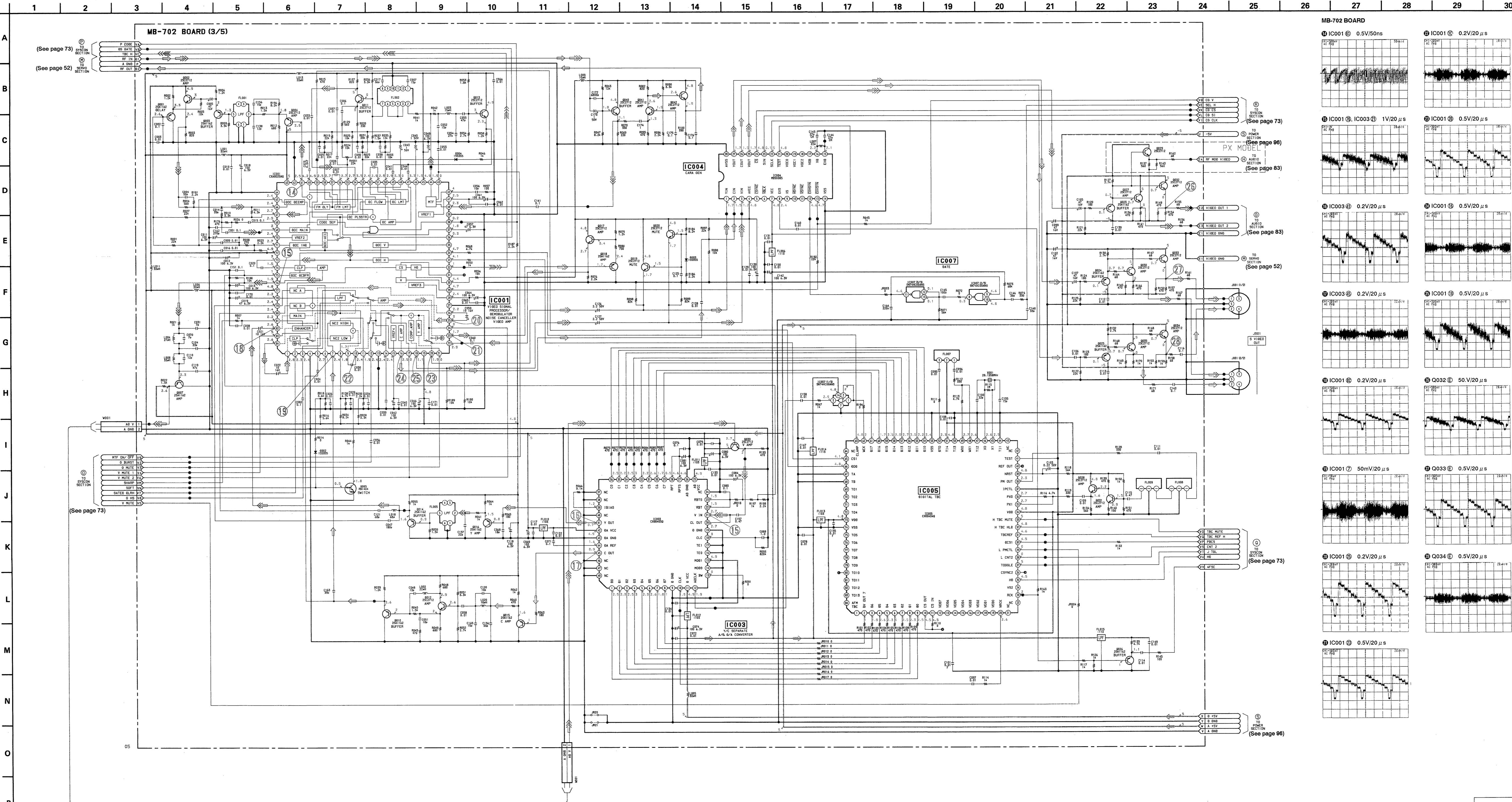
**MB-702 BOARD (COMPONENT SIDE)**



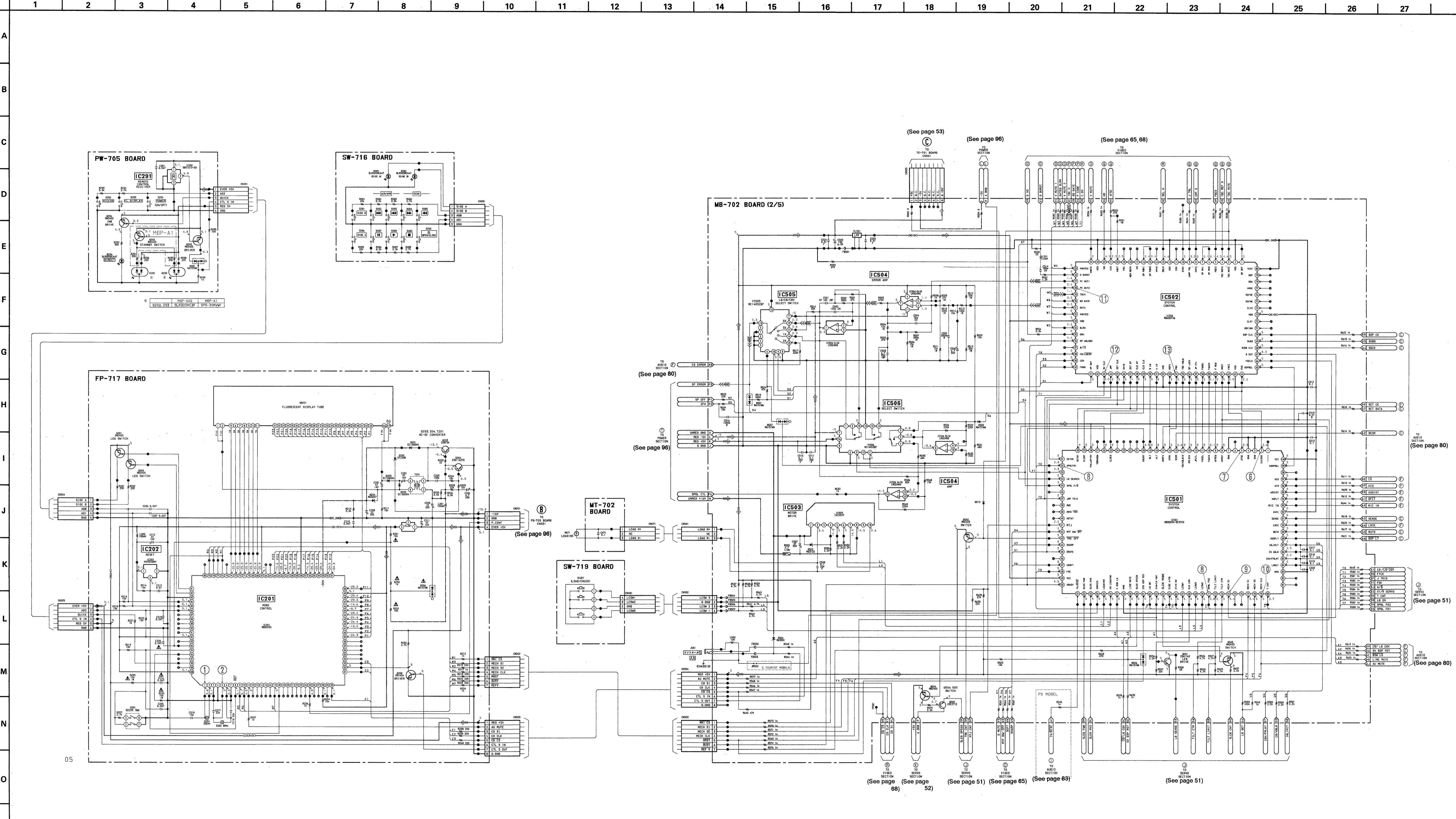
**MB-702 BOARD (CONDUCTOR SIDE)**



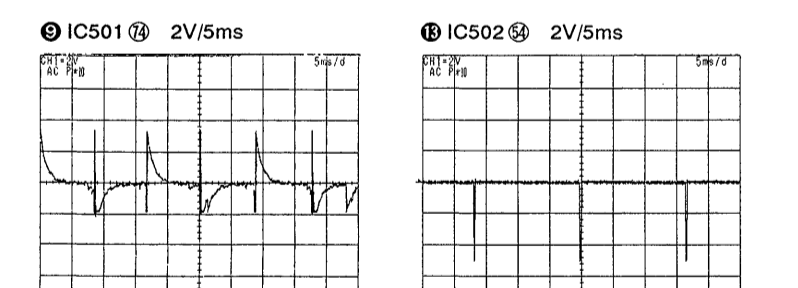
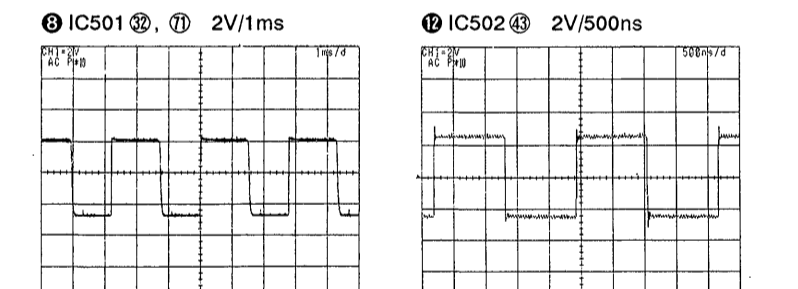
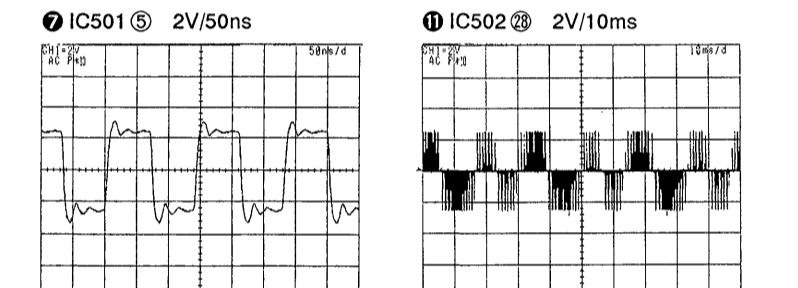
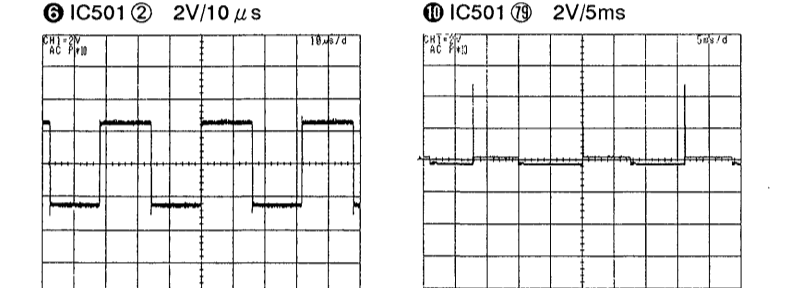




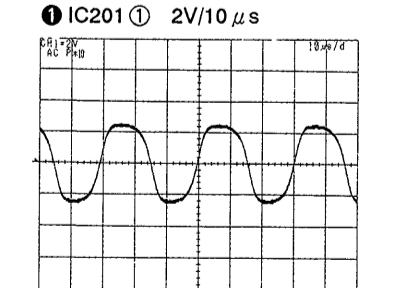
	VIDEO SIGNAL			AUDIO SIGNAL
	CHROMA	Y	Y/CHROMA	
PB	↔	↔	↔	↔
SPINDLE PHASE SERVO	↔	↔	↔	↔
SPINDLE SERVO (SPEED AND PHASE)	↔	↔	↔	↔
TRACKING SERVO LD/CD/CDV	↔	↔	↔	↔
SLIDE SERVO LD/CD	↔	↔	↔	↔
FOCUS SERVO LD/CD	↔	↔	↔	↔
SKEW SERVO LD TILT	↔	↔	↔	↔



MB-702 BOARD

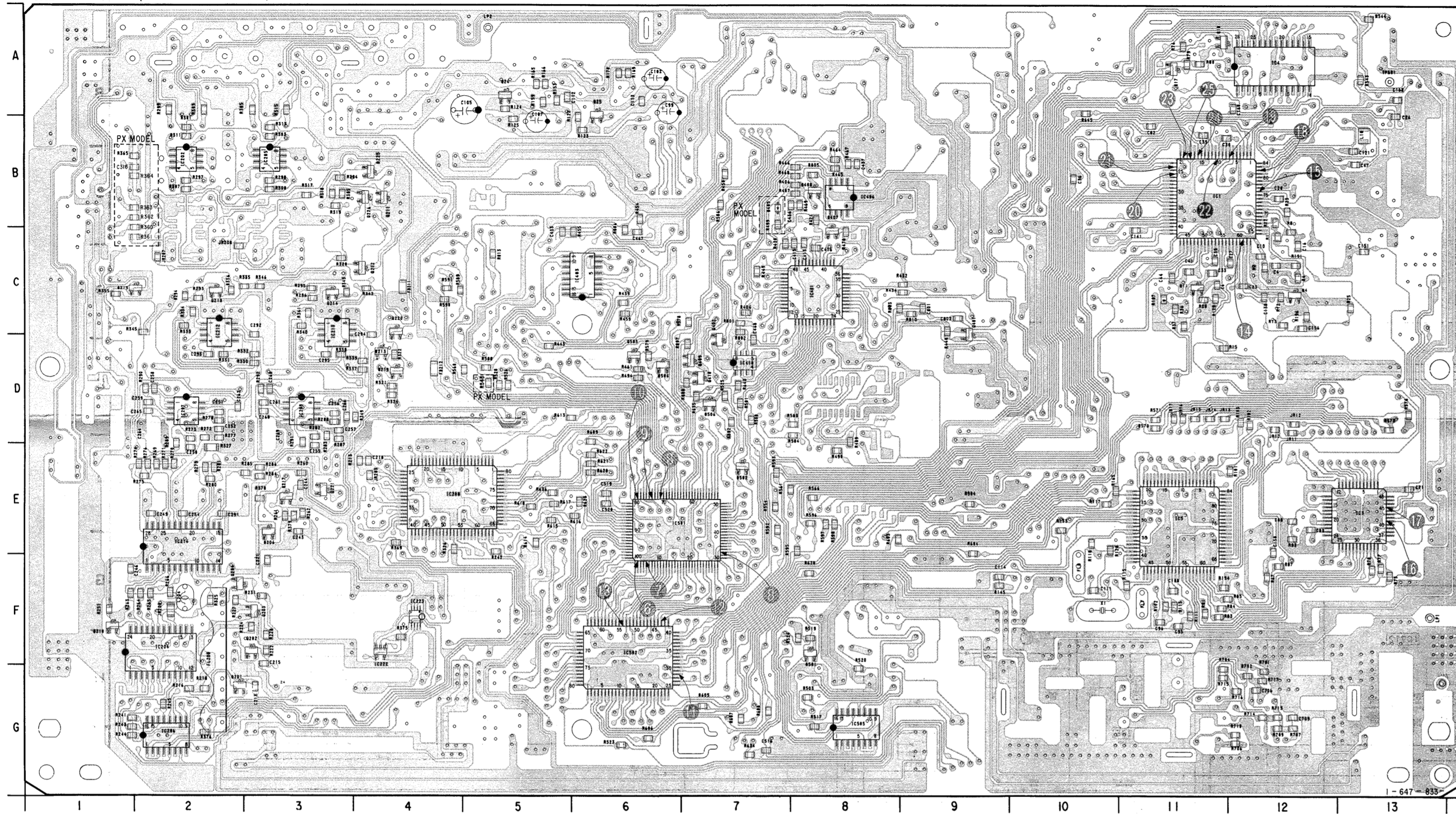


FP-717 BOARD



SPINDLE PHASE SERVO	▶▶▶
SPINDLE SERVO (SPEED AND PHASE)	▶▶▶
TRACKING SERVO LD/CD/CDV	▶▶
SLIDE SERVO LD/CD	▶
FOCUS SERVO LD/CD	▶
SKREW SERVO LD TILT	▶

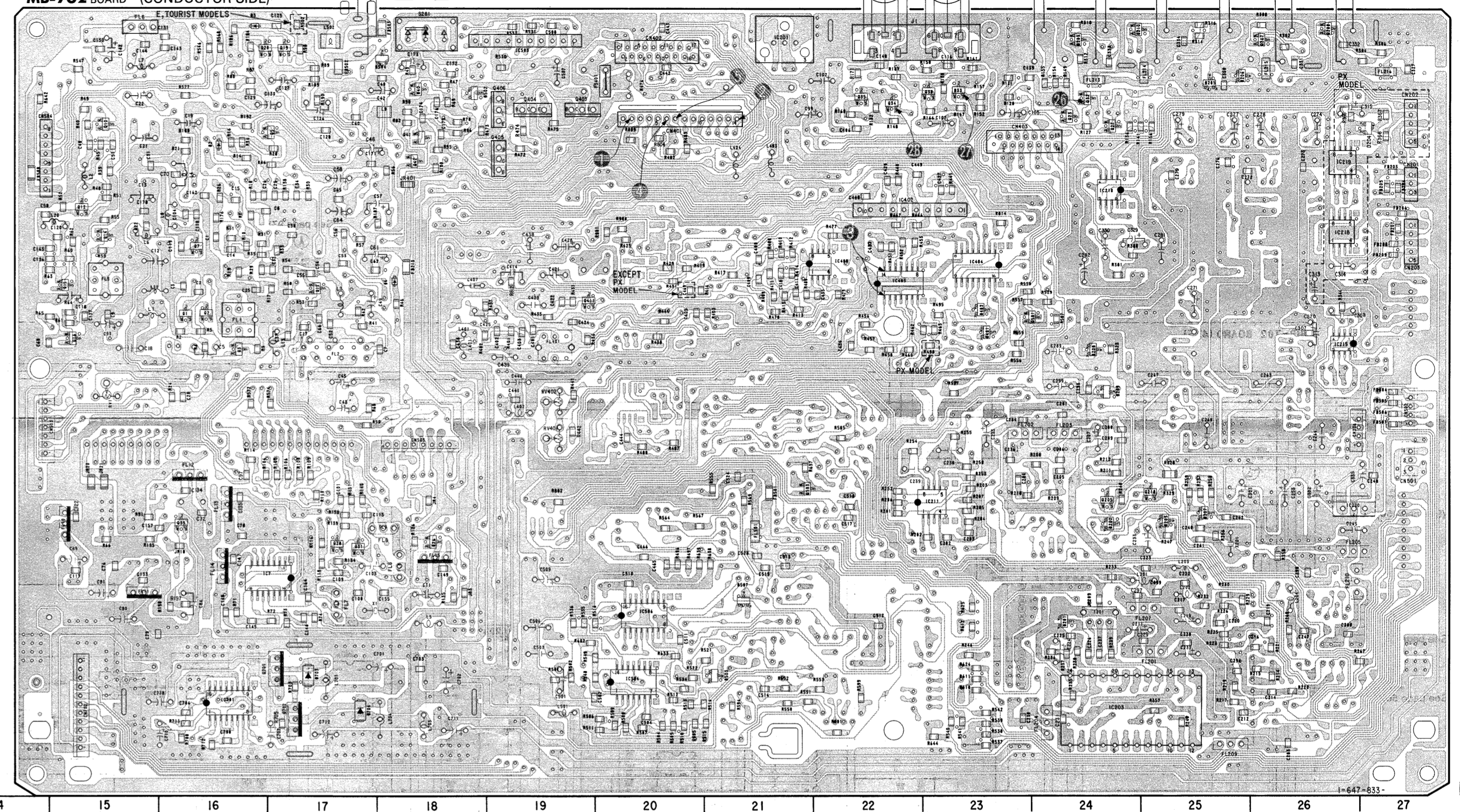
MB-702 BOARD (COMPONENT SIDE)



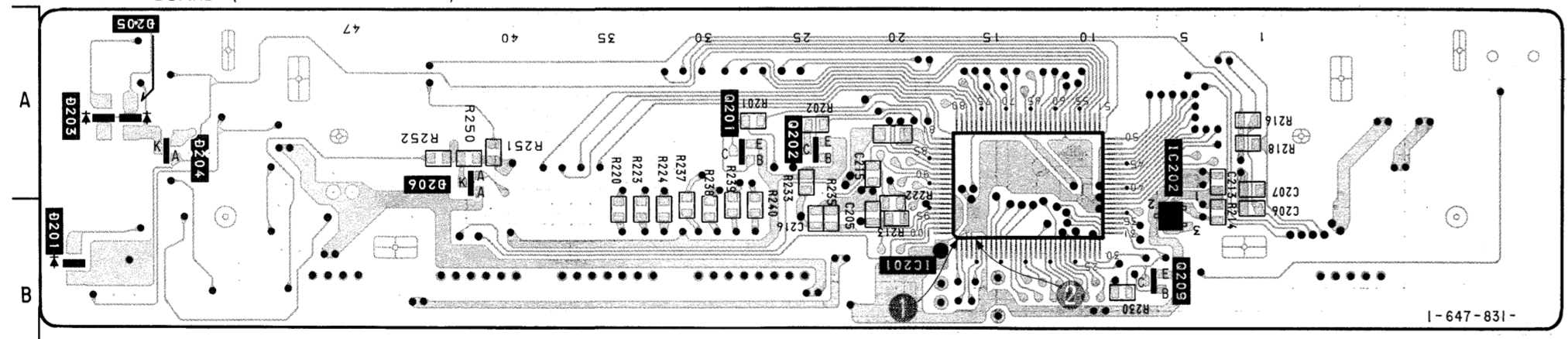
MB-702 BOARD

D002	B-18	Q007	C-16
D003	A-16	Q010	B-15
D004	C-18	Q011	C-11
D001	F-24	Q012	B-15
D202	E-24	Q013	C-17
D203	E-25	Q014	C-15
D205	A-25	Q015	C-15
D206	A-25	Q016	D-15
D207	E-25	Q017	A-11
D208	D-24	Q018	A-11
D209	D-24	Q019	A-17
D210	F-1	Q020	A-16
D213	D-4	Q023	A-24
D401	C-23	Q024	A-5
D402	C-23	Q025	A-6
D405	B-7	Q026	E-18
D501	F-8	Q027	B-24
D502	A-18	Q028	E-17
D503	G-21	Q030	A-22
D504	A-17	Q031	E-17
D506	D-7	Q032	A-24
D507	F-21	Q033	A-23
D703	G-17	Q034	A-22
D704	G-17	Q035	A-22
		Q039	E-16
IC001	B-11	Q041	B-18
IC003	E-13	Q041	B-18
IC004	A-12	Q042	B-18
IC005	E-11	Q201	G-2
IC007	F-16	Q202	F-3
IC201	A-21	Q203	F-3
IC202	B-2	Q204	F-2
IC203	G-24	Q205	E-24
IC204	F-2	Q206	E-3
IC205	B-3	Q207	A-28
IC206	G-2	Q208	A-26
IC207	D-2	Q209	A-24
IC208	E-4	Q210	A-24
IC209	D-3	Q211	B-4
IC210	B-24	Q212	C-4
IC211	E-23	Q213	C-2
IC212	C-2	Q214	C-3
IC213	C-3	Q215	C-1
IC214	E-2	Q217	E-3
IC215	D-25	Q218	E-25
IC220	E-25	Q219	D-4
IC222	F-4	Q220	C-4
IC223	F-4	Q221	E-3
IC401	C-8	Q225	B-4
IC402	B-22	Q226	B-4
IC403	C-6	Q401	C-9
IC404	C-23	Q402	D-7
IC405	C-22	Q403	A-19
IC406	A-8	Q404	A-19
IC409	C-22	Q405	B-19
IC410	D-7	Q406	A-19
IC501	E-6	Q407	C-8
IC502	F-6	Q408	B-8
IC503	A-18	Q409	D-7
IC504	G-20	Q410	D-7
IC505	D-8	Q411	C-19
IC506	F-20	Q501	C-23
IC701	G-16	Q502	E-7
		Q503	E-21
Q001	C-16	Q504	D-6
Q002	C-16	Q505	D-6
Q003	D-16	Q701	G-16
Q004	C-12	Q702	G-17
Q005	B-16		

MB-702 BOARD (CONDUCTOR SIDE)



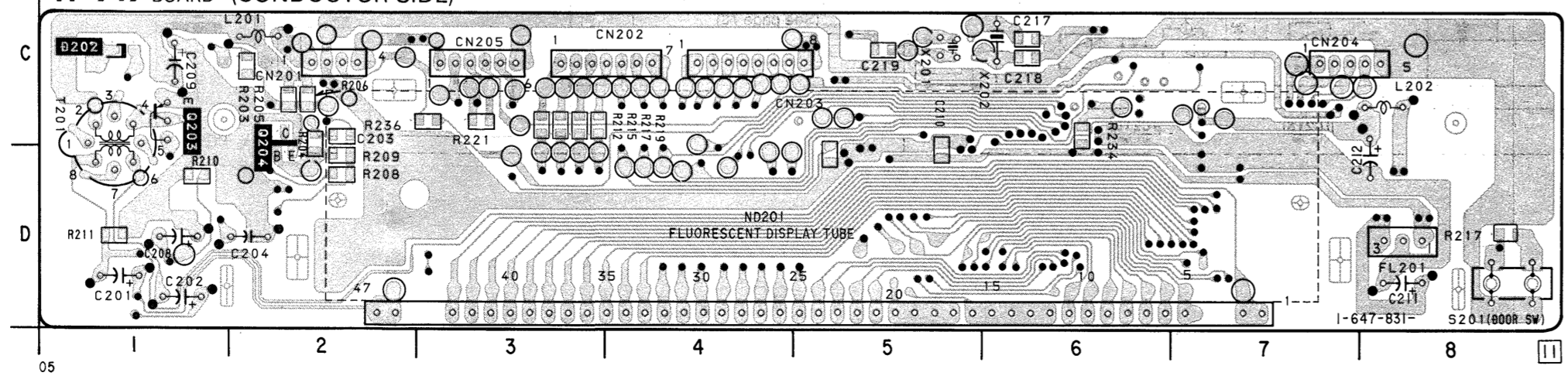
FP-717 BOARD (COMPONENT SIDE)



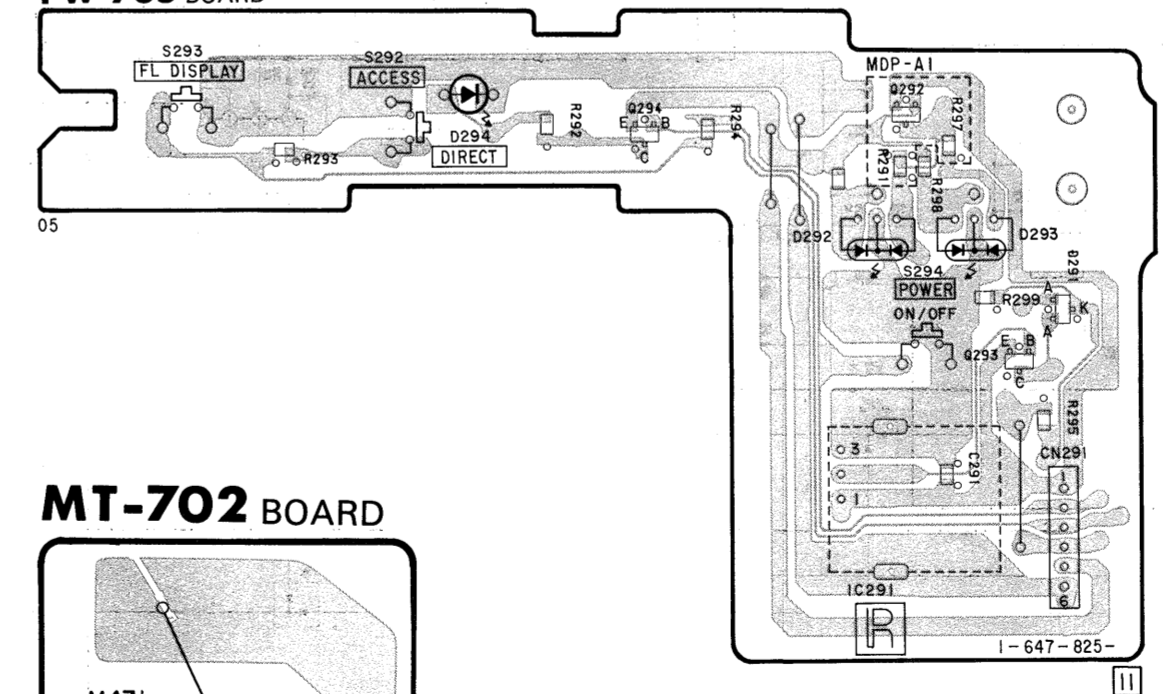
FP-717 BOARD

D201	B-1
D202	C-1
D203	A-1
D204	A-1
D205	A-1
D206	A-3
IC409	A-6
IC410	B-6
IC501	B-6
IC502	A-4
IC503	A-4
IC504	A-5
IC505	C-1
IC506	D-2
IC701	E-7
	E-21
Q001	D-6
Q002	D-6
Q003	G-16
Q004	G-17
Q005	B-16

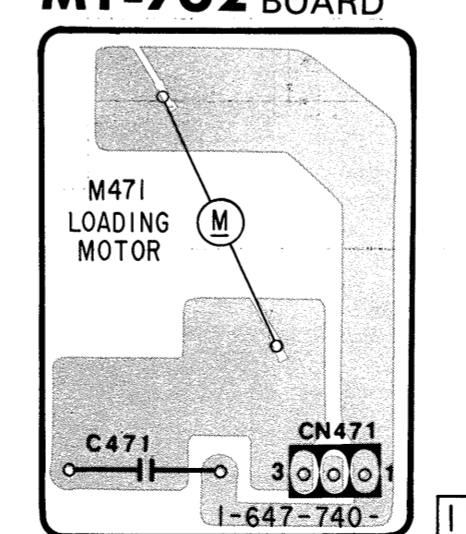
FP-717 BOARD (CONDUCTOR SIDE)



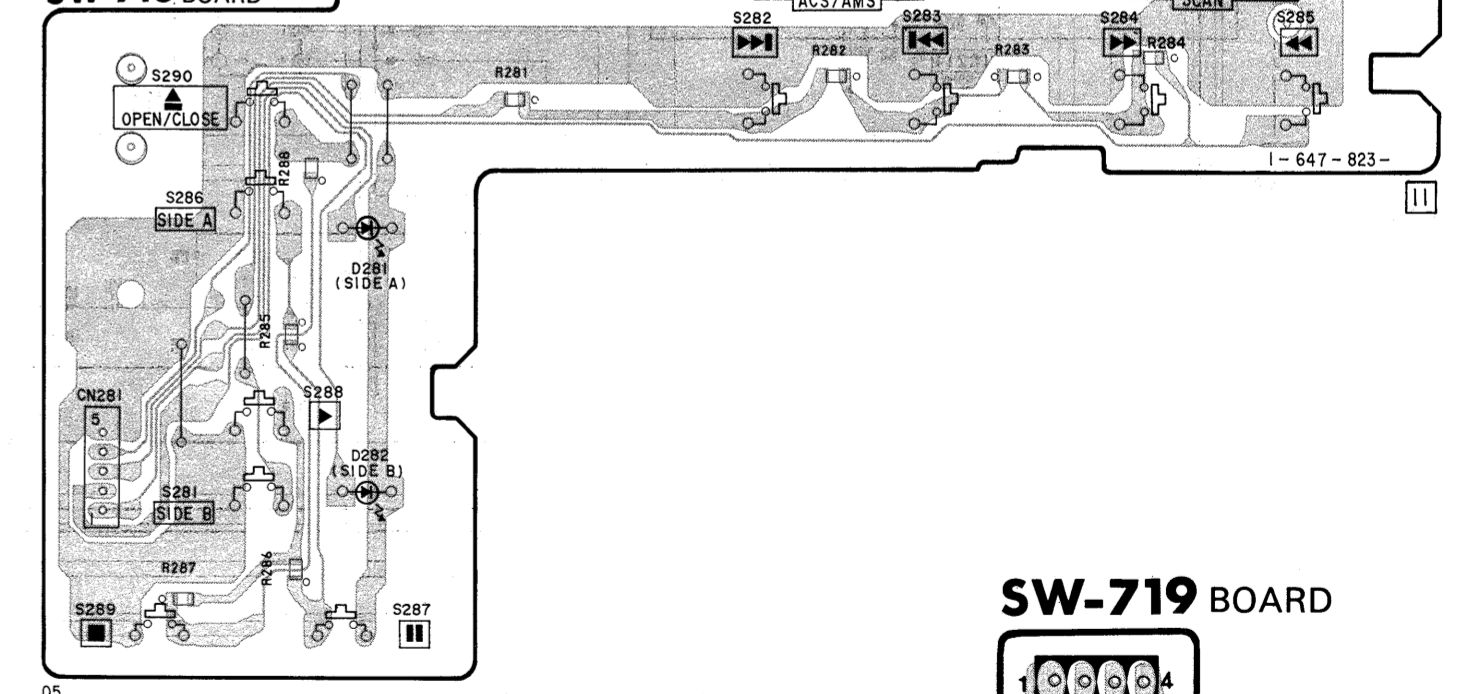
PW-705 BOARD



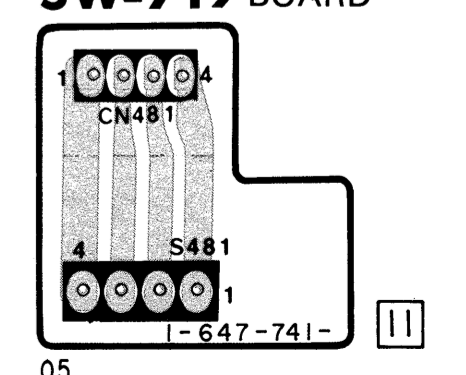
MT-702 BOARD

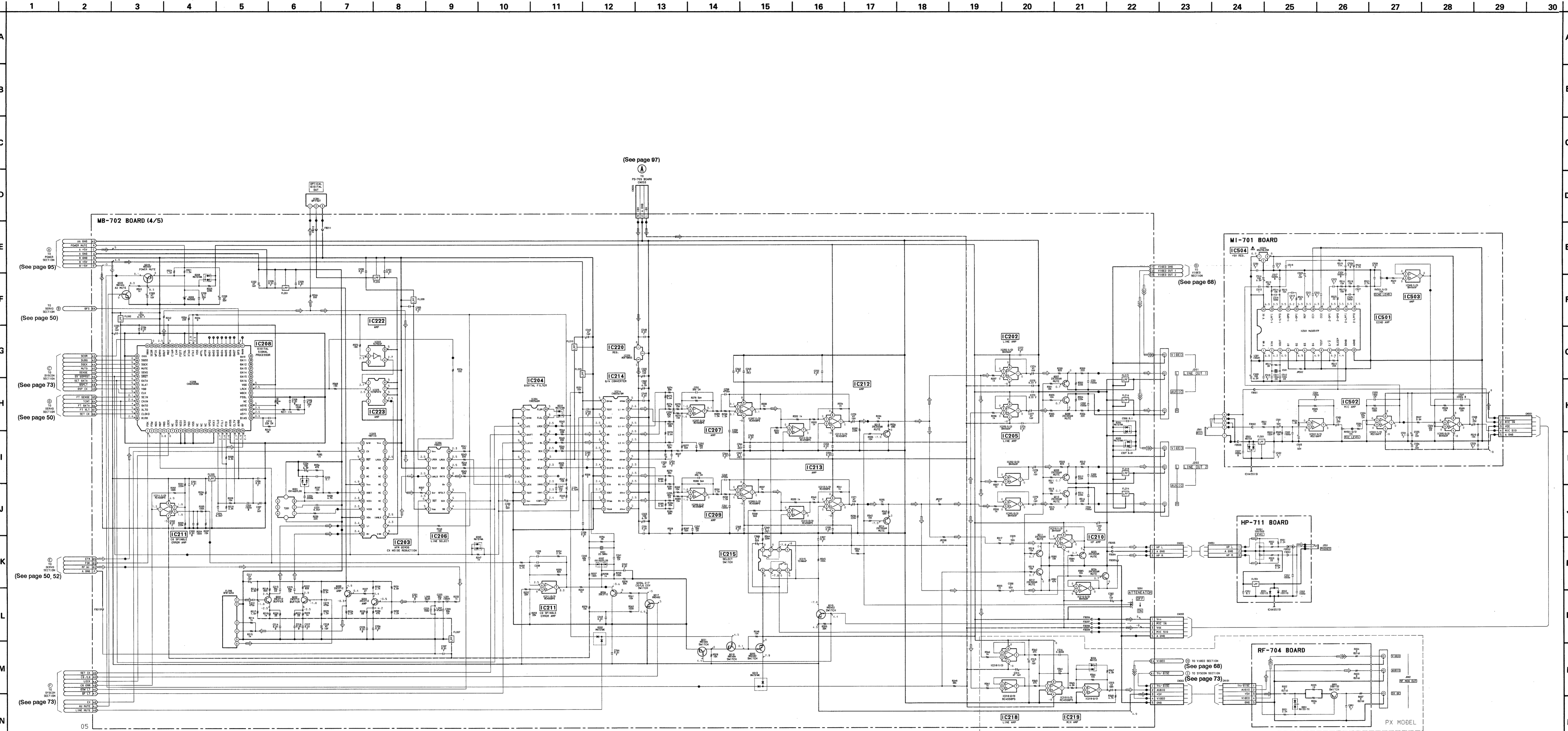


SW-716 BOARD



SW-719 BOARD





PB	VIDEO SIGNAL			AUDIO SIGNAL
	CHROMA	Y	Y/CHROMA	
◁	⇒	⇒	⇒	⇒

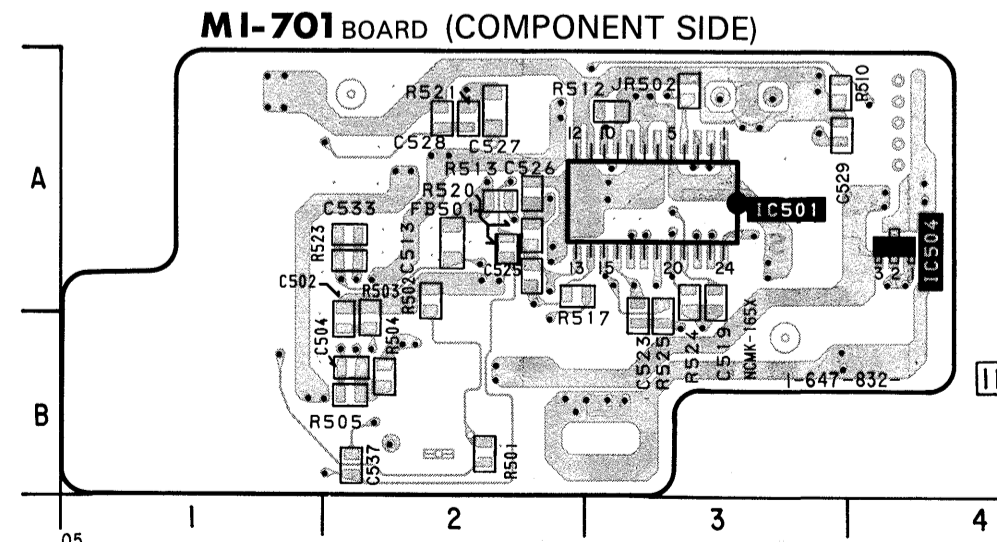
MB-702 BOARD (COMPONENT SIDE)



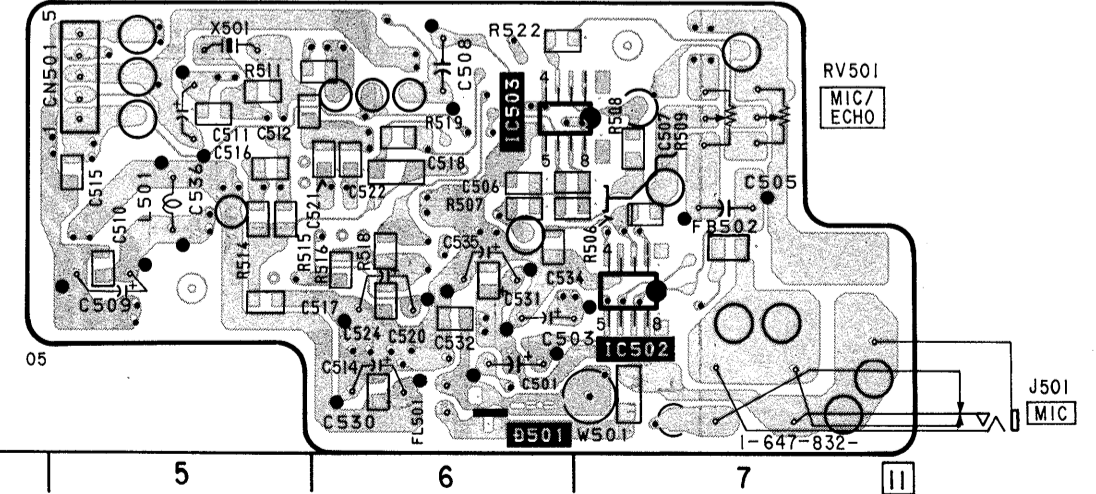
MB-702 BOARD

D002	B-16	O007	C-16
D003	A-16	O010	B-15
D004	C-18	O011	C-11
D201	F-24	O012	B-15
D202	E-24	O013	C-17
D203	F-25	O014	C-15
D205	A-25	O015	C-15
D206	A-25	O016	D-15
D207	E-25	O017	A-11
D208	D-24	O018	A-11
D209	D-24	O019	A-17
D210	F-1	O020	A-16
D213	D-4	O023	A-24
D401	C-23	O024	A-5
D402	C-23	O025	A-6
D405	B-7	O026	E-18
D501	F-8	O027	B-24
D502	A-16	O028	E-17
D503	G-21	O030	A-22
D504	A-17	O031	E-17
D506	D-7	O032	A-24
D507	F-21	O033	A-23
D703	G-17	O034	A-22
D704	G-17	O035	A-22
		O036	E-16
IC001	B-11	O040	A-18
IC003	E-13	O041	B-18
IC004	A-12	O042	B-18
IC005	E-11	O201	G-2
IC007	F-16	O202	F-3
IC201	A-21	O203	F-3
IC202	B-2	O204	F-2
IC203	C-24	O205	E-24
IC204	F-2	O206	E-3
IC205	B-3	O207	A-28
IC206	D-2	O208	A-28
IC207	D-2	O209	A-24
IC208	E-4	O210	A-24
IC209	D-3	O211	B-4
IC210	B-24	O212	C-4
IC211	E-23	O213	C-2
IC212	C-2	O214	C-3
IC213	C-3	O215	C-1
IC214	E-2	O217	E-3
IC215	D-25	O218	E-25
IC220	E-26	O219	D-4
IC222	F-4	O220	C-4
IC223	F-4	O221	E-3
IC401	C-8	O225	B-4
IC402	B-22	O226	B-4
IC403	C-6	O401	C-8
IC404	C-23	O402	D-7
IC405	C-22	O403	A-18
IC406	A-8	O404	A-18
IC409	C-22	O405	B-18
IC410	D-7	O406	A-18
IC501	E-6	O407	C-8
IC502	F-6	O408	B-8
IC503	A-19	O409	D-7
IC504	G-20	O410	D-7
IC505	C-8	O411	C-18
IC506	F-20	O501	C-23
IC701	G-16	O502	E-7
		O503	E-21
O001	C-16	O504	D-6
O002	C-18	O505	D-6
O003	D-18	O701	G-18
O004	C-12	O702	G-17
O005	B-16		

MI-701 BOARD



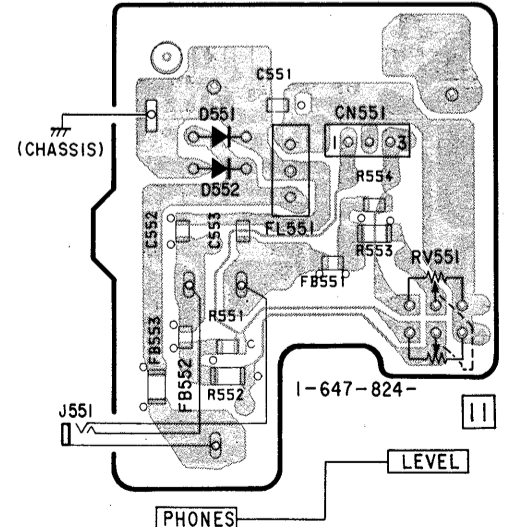
MI-701 BOARD (CONDUCTOR SIDE)



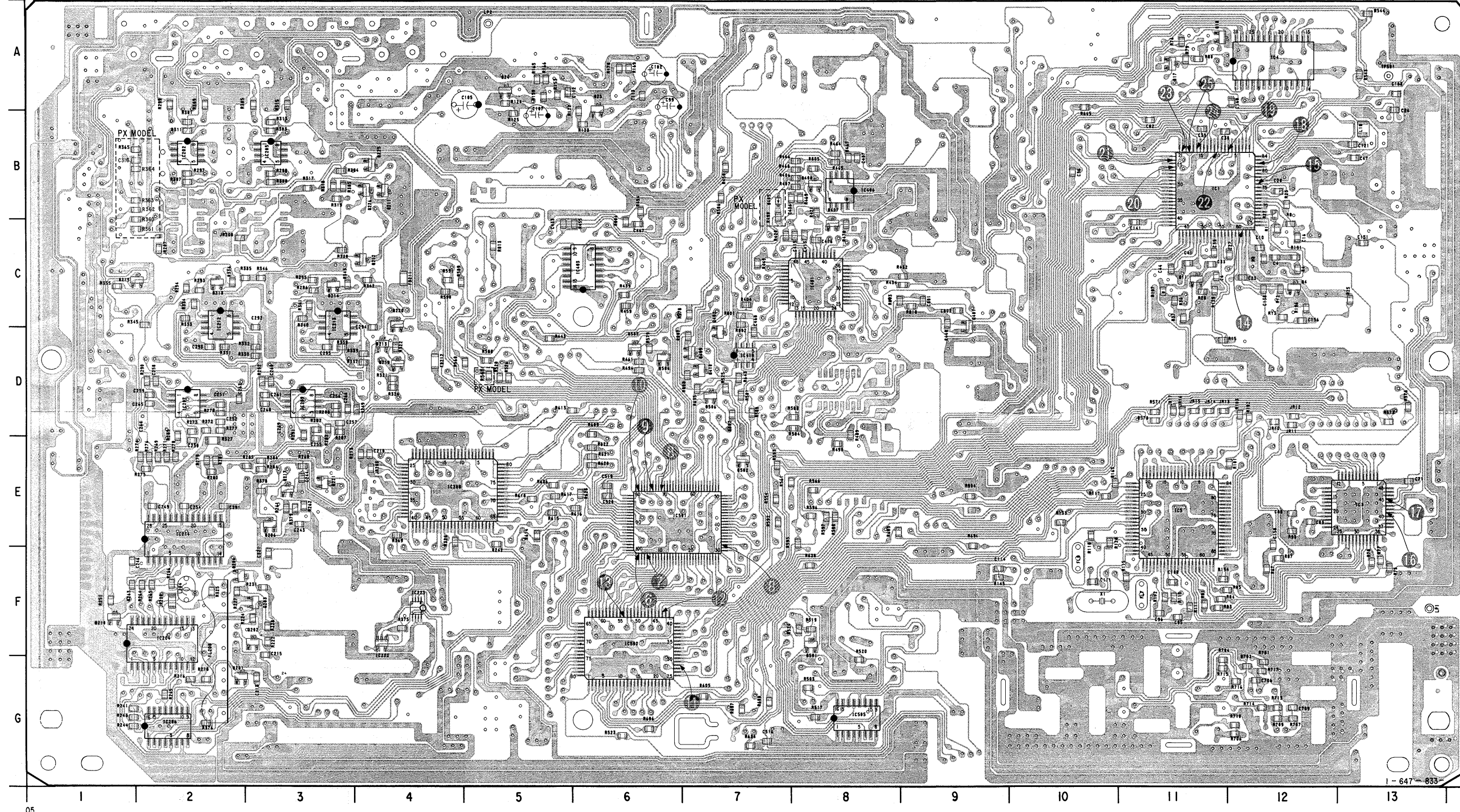
MB-702 BOARD (CONDUCTOR SIDE)



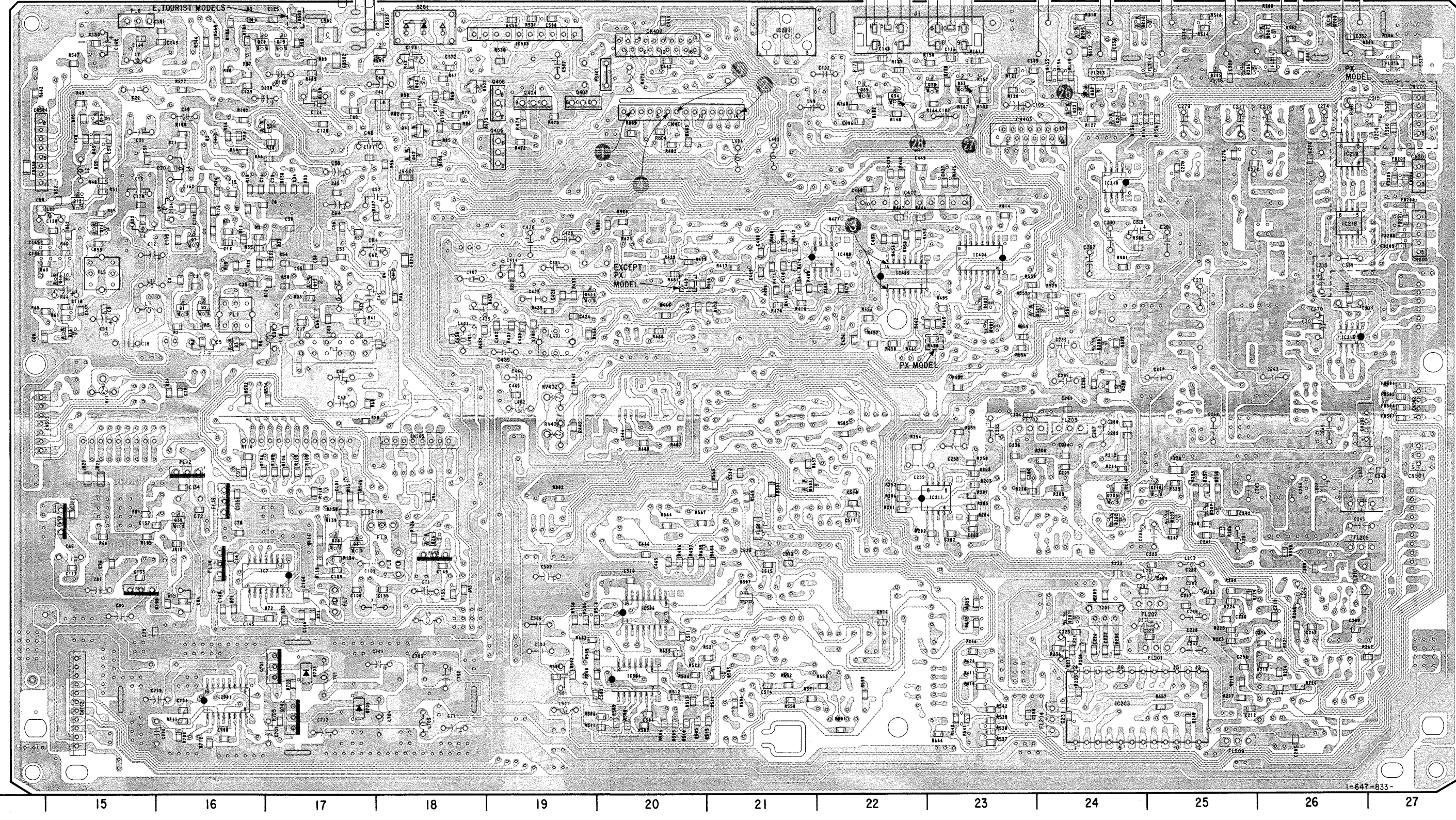
HP-711 BOARD



MB-702 BOARD (COMPONENT SIDE)



MB-702 BOARD (CONDUCTOR SIDE)

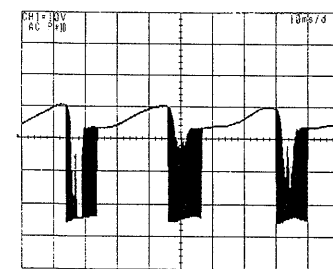


MB-702 BOARD

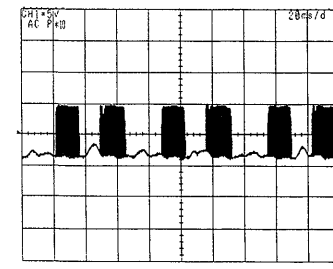
D002	B-16	Q007	C-16
D003	A-16	Q010	F-15
D004	C-18	Q011	C-11
D201	F-24	Q012	B-15
D202	E-24	Q013	C-17
D203	E-25	Q014	C-15
D205	A-25	Q015	C-15
D206	A-25	Q016	D-15
D207	E-25	Q017	A-11
D208	D-24	Q018	A-11
D208	D-24	Q019	A-17
D210	F-1	Q020	A-16
D213	D-1	Q023	A-24
D401	C-23	Q024	A-5
D402	C-23	Q025	A-6
D405	B-7	Q026	E-18
D501	F-8	Q027	B-14
D502	A-18	Q028	E-17
D503	Q-21	Q030	A-22
D604	A-17	Q031	E-17
D506	D-7	Q032	A-24
D507	F-21	Q033	A-23
D703	G-17	Q034	A-22
D704	G-17	Q035	A-22
D704	G-17	Q039	E-16
IC001	B-11	Q040	A-18
IC003	E-13	Q041	B-18
IC004	A-12	Q042	B-18
IC005	E-11	Q201	G-2
IC007	F-16	Q202	F-3
IC201	A-21	Q203	F-3
IC202	B-2	Q204	F-2
IC203	G-24	Q205	E-24
IC204	F-2	Q206	E-3
IC205	B-1	Q207	A-08
IC206	G-2	Q208	A-26
IC207	D-2	Q209	A-24
IC208	E-4	Q210	A-24
IC209	D-3	Q211	B-4
IC210	B-24	Q212	C-4
IC211	E-23	Q213	C-2
IC212	C-2	Q214	C-3
IC213	C-3	Q215	C-1
IC214	E-2	Q217	E-3
IC215	D-25	Q218	E-25
IC220	E-25	Q219	D-4
IC222	F-4	Q220	C-4
IC223	F-4	Q221	C-3
IC401	C-8	Q225	B-4
IC402	B-22	Q226	B-4
IC403	C-8	Q401	C-8
IC404	C-23	Q402	D-7
IC405	C-22	Q403	A-19
IC406	A-8	Q404	A-19
IC408	C-22	Q405	B-19
IC410	D-7	Q406	A-19
IC501	E-8	Q407	C-8
IC502	F-6	Q408	B-8
IC503	A-19	Q409	D-7
IC504	Q-20	Q410	D-7
IC505	G-8	Q411	C-19
IC506	F-20	Q501	C-23
IC701	Q-16	Q502	E-7
Q801	C-18	Q503	E-21
Q802	C-18	Q504	D-6
Q803	D-16	Q701	G-16
Q804	C-12	Q702	G-17
Q805	B-16		

PS-709 BOARD

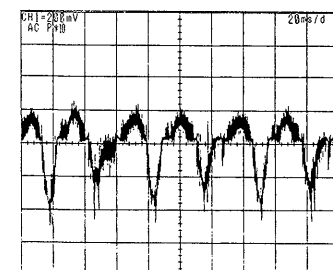
IC051 10V/10ms



IC051 5V/20ms

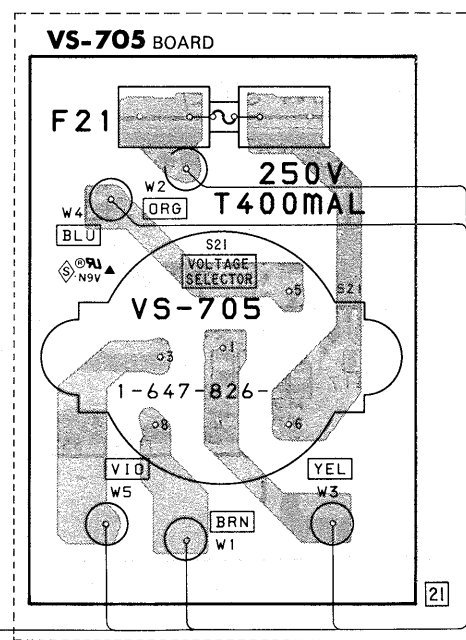
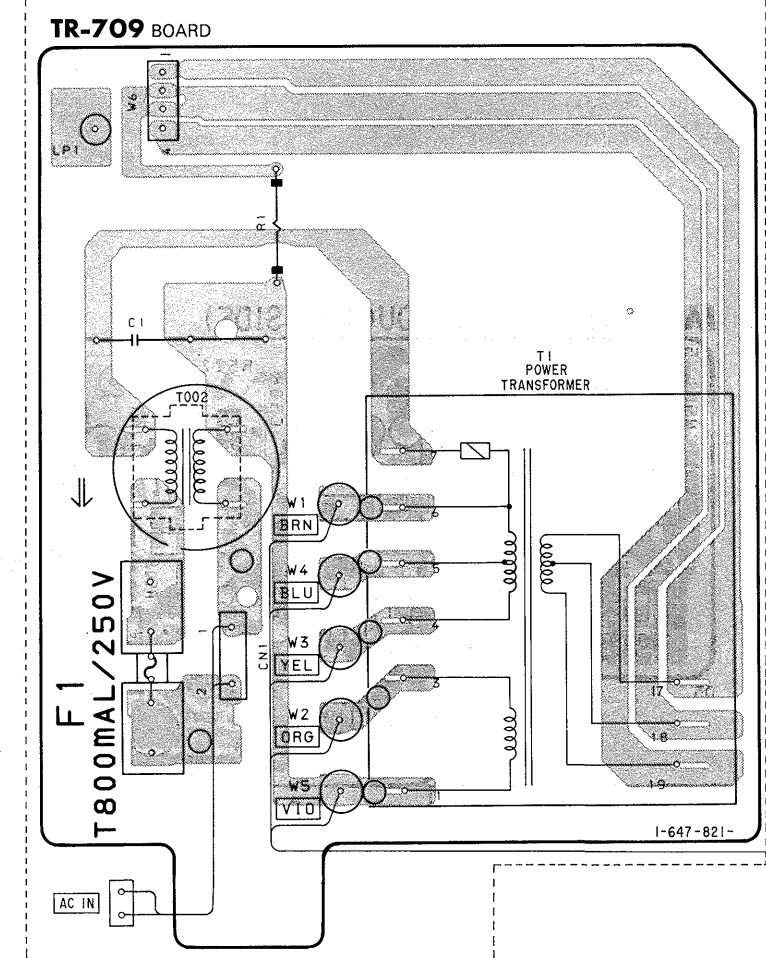
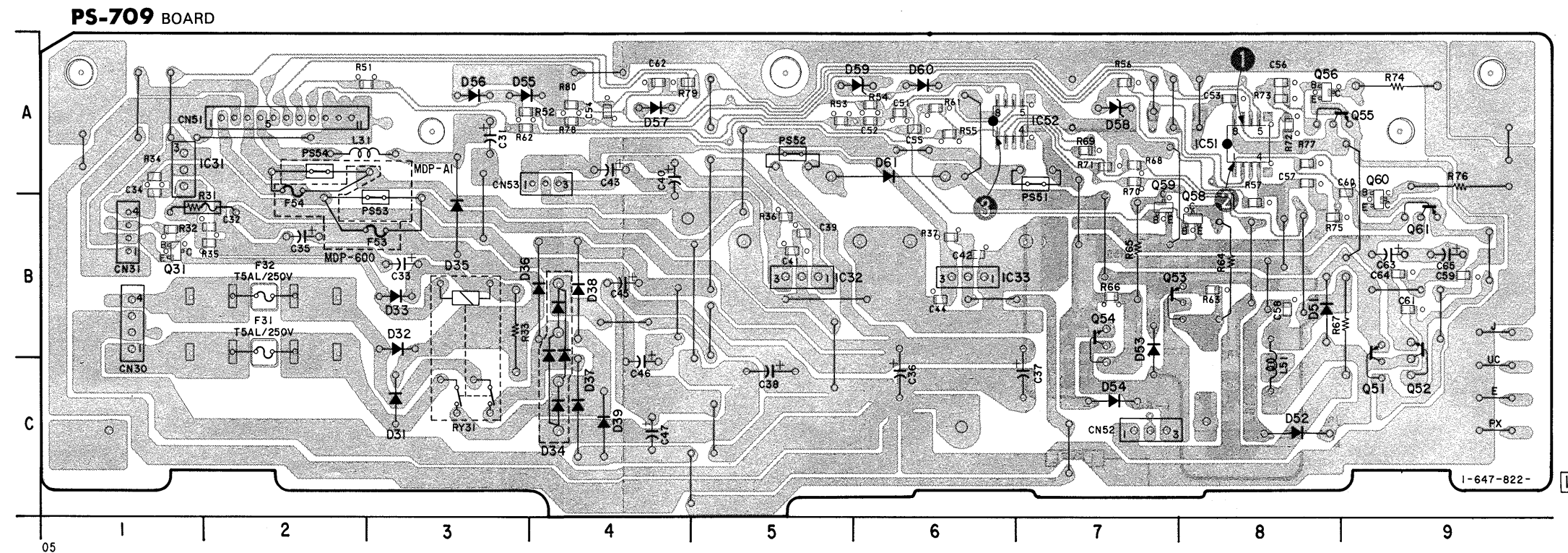


IC052 0.2V/20ms



PS-709 BOARD

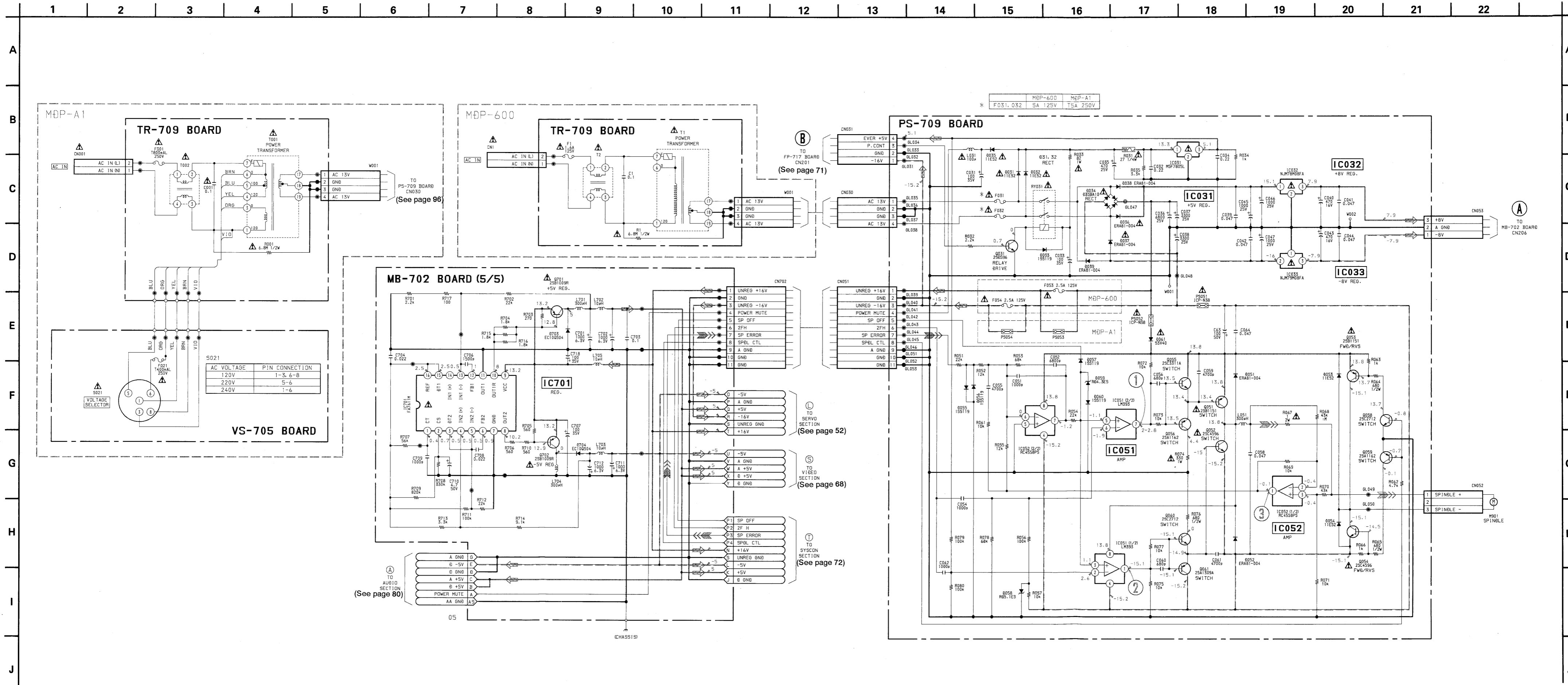
D31	C-3
D32	B-3
D33	B-3
D34	C-4
D35	B-3
D38	B-4
D38	B-4
D37	C-7
D51	B-8
D52	C-8
D53	C-7
D54	C-7
D55	A-3
D56	A-4
D57	A-4
D58	A-7
D59	A-6
D60	A-6
D61	A-6
IC31	A-1
IC32	E-3
IC33	B-6
IC51	A-8
IC52	A-6
Q31	B-1
Q31	C-9
Q32	C-9
Q33	B-7
Q34	B-7
Q35	A-9
Q36	A-8
Q37	B-8
Q38	B-8
Q39	B-7
Q40	B-7
Q41	B-9



SPINDLE PHASE SERVO	➡
SPINDLE SERVO (SPEED AND PHASE)	➡➡
TRACKING SERVO LD/CD/CDV	➡
SLIDE SERVO LD/CD	➡
FOCUS SERVO LD/CD	➡
SKREW SERVO LD TILT	➡

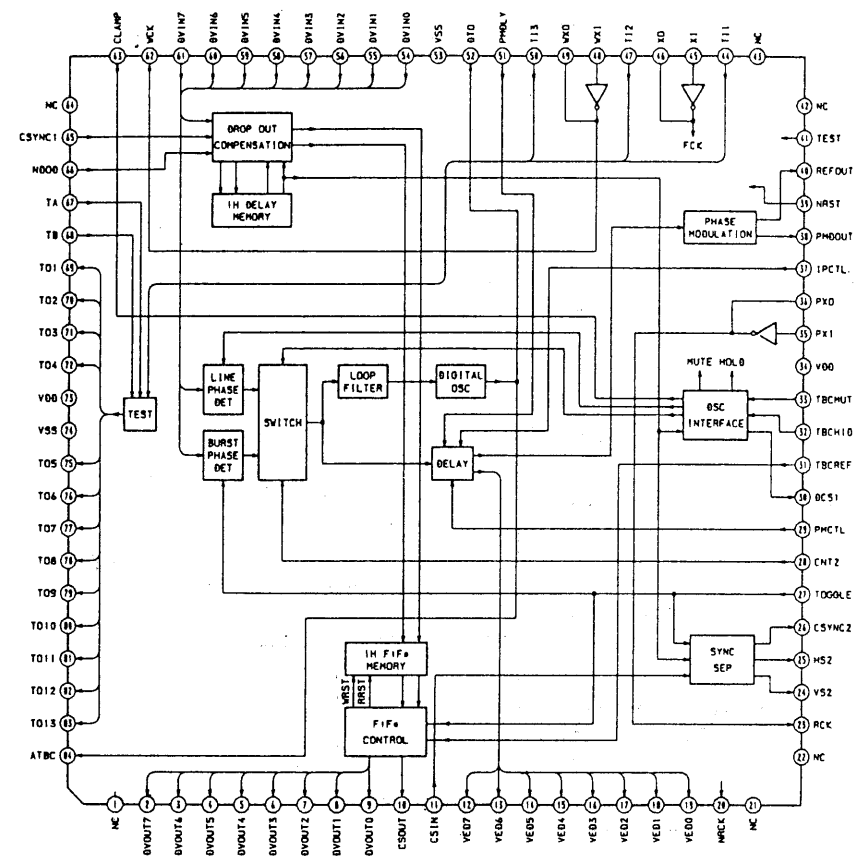
**MB-702 (POWER SUPPLY), PS-709 (POWER SUPPLY, SPINDLE SERVO), TR-709 (POWER TRANSFORMER) SCHEMATIC DIAGRAM**

- Ref. No.: MB-702 Board; 1,000 series, PS-709 and TR-709 Board; 6,000 series -

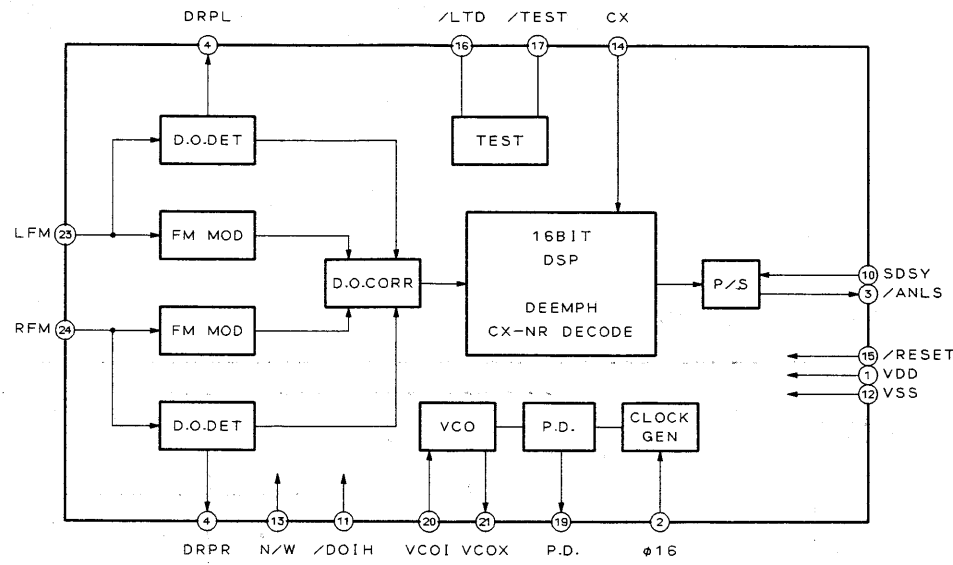


• IC BLOCK DIAGRAMS

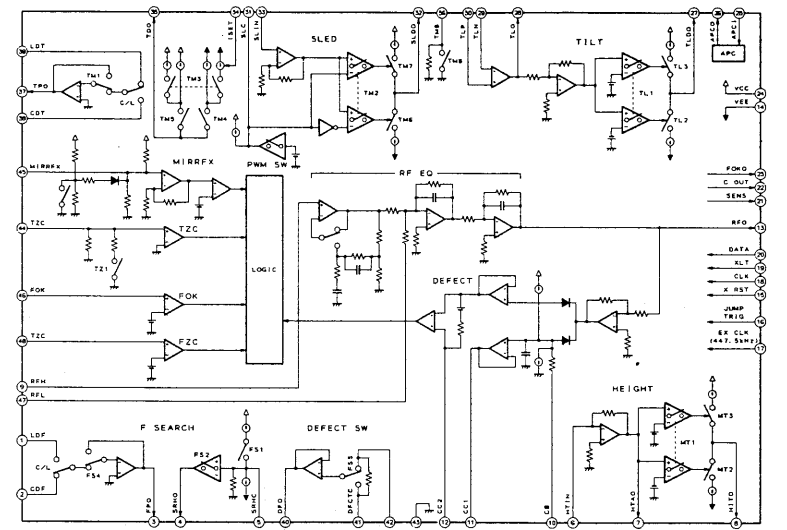
IC001 CXD8404Q (MB-702 Board)



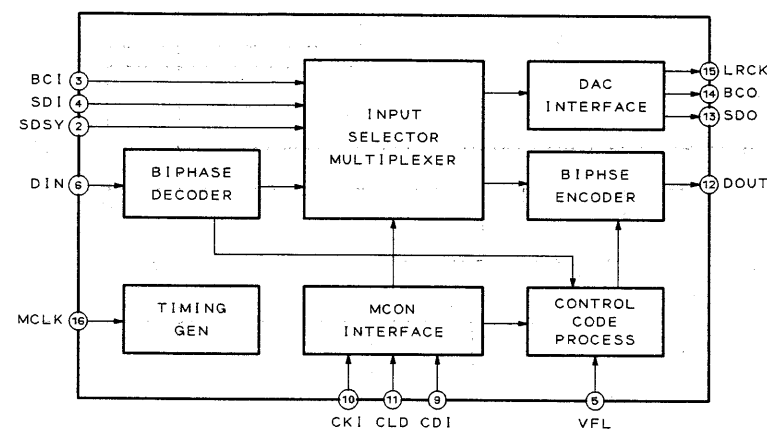
IC203 YM7110 (MB-702 Board)



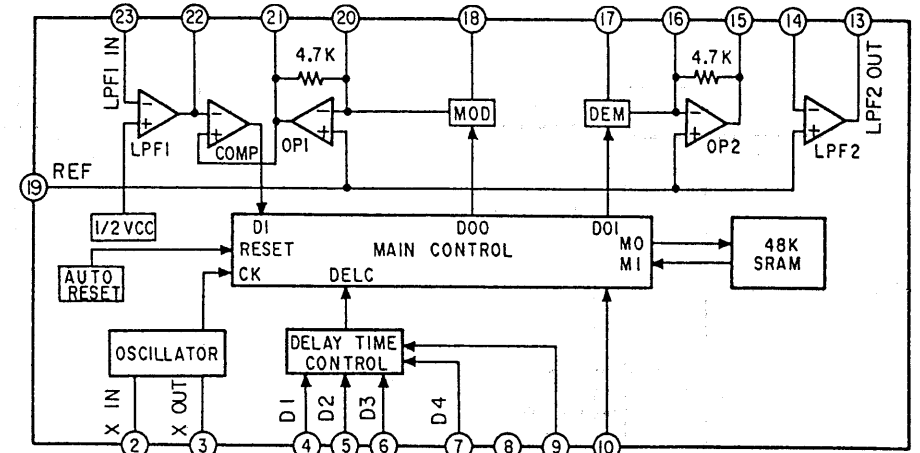
IC402 CXA1632Q (MB-702 Board)



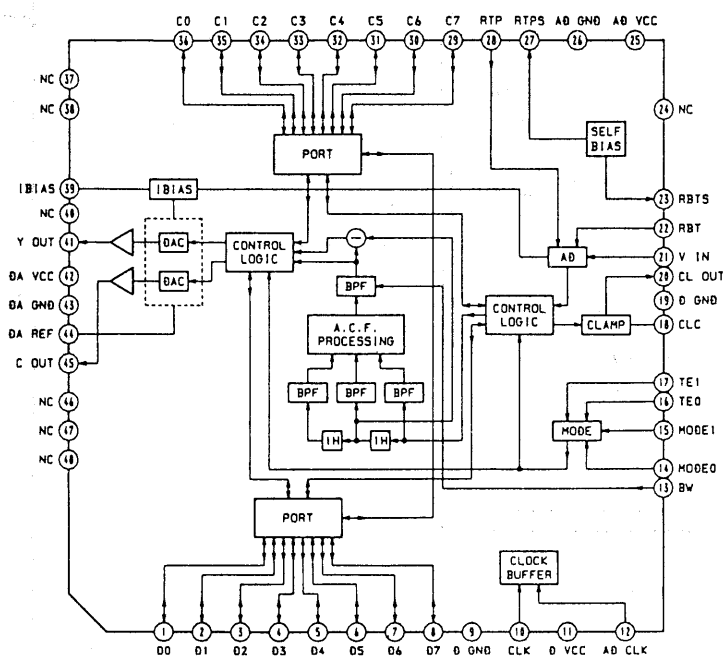
IC206 YSD221-ME2 (MB-702 Board)



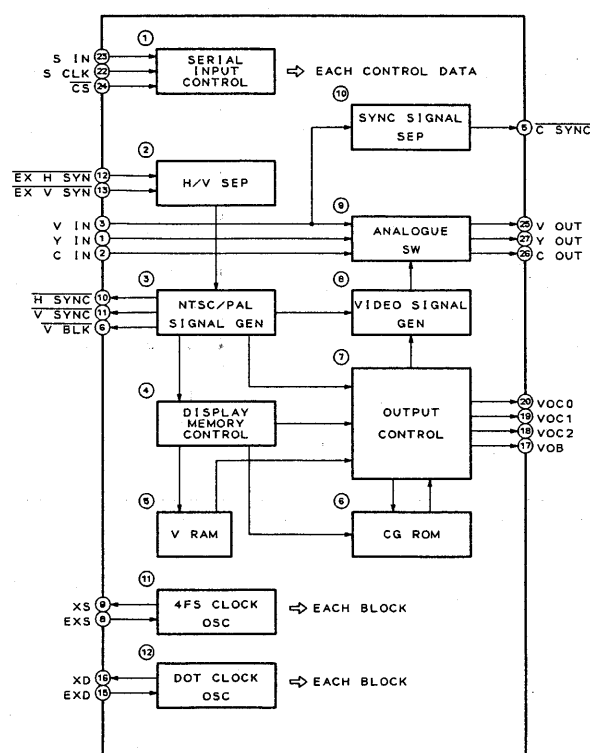
IC501 M65831FP-600C (MI-701 Board)



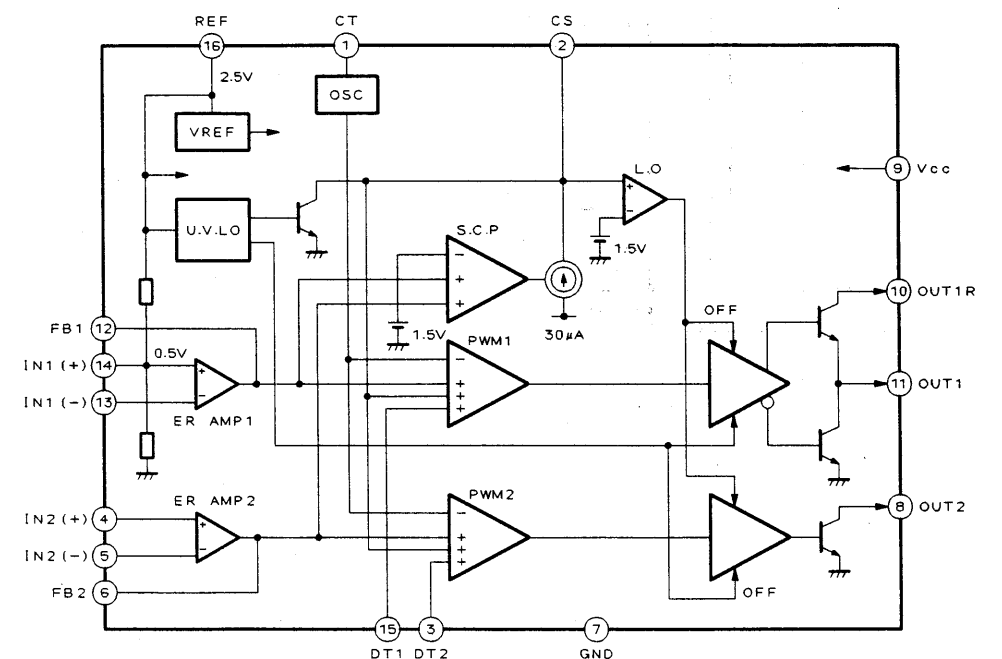
IC003 CXD8405Q (MB-702 Board)



IC004 MB90085 (MB-702 Board)



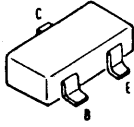
IC701 FA7611M (MB-702 Board)



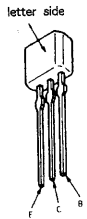


4-3. SEMICONDUCTORS

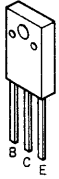
RN1404  
RN2402  
RN2403  
2SA1162  
2SC2712-G  
2SC3326N



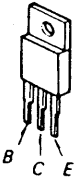
2SA1309A  
2SC3311A



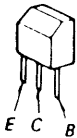
2SB1009R



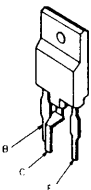
2SB1370



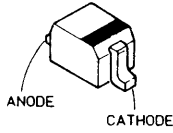
2SB734



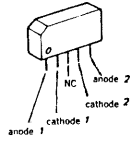
2SD2061



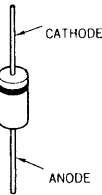
DTZ30B  
EC10QS-04  
1SS355



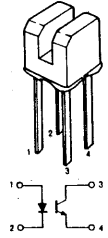
D3SBA10-4100



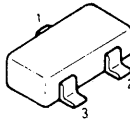
ERA81-004



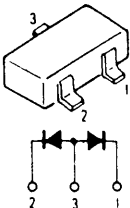
GP1S24



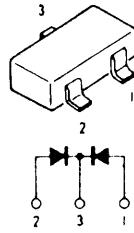
KV1460TL00



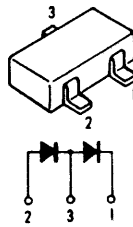
MA151WA



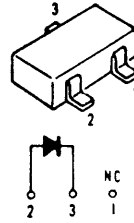
MA151WK



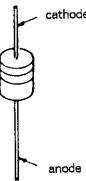
MA153



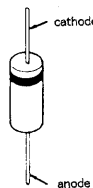
MA3047  
MA3082  
MA3091  
MA3120



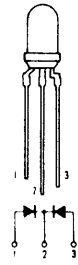
RD4.3ES-B2  
RD5.1ES-B2  
1SS119  
11ES2



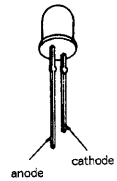
S3V40



SLR-305MCA47



SLR932A



## SECTION 5 EXPLODED VIEWS

**NOTE:**

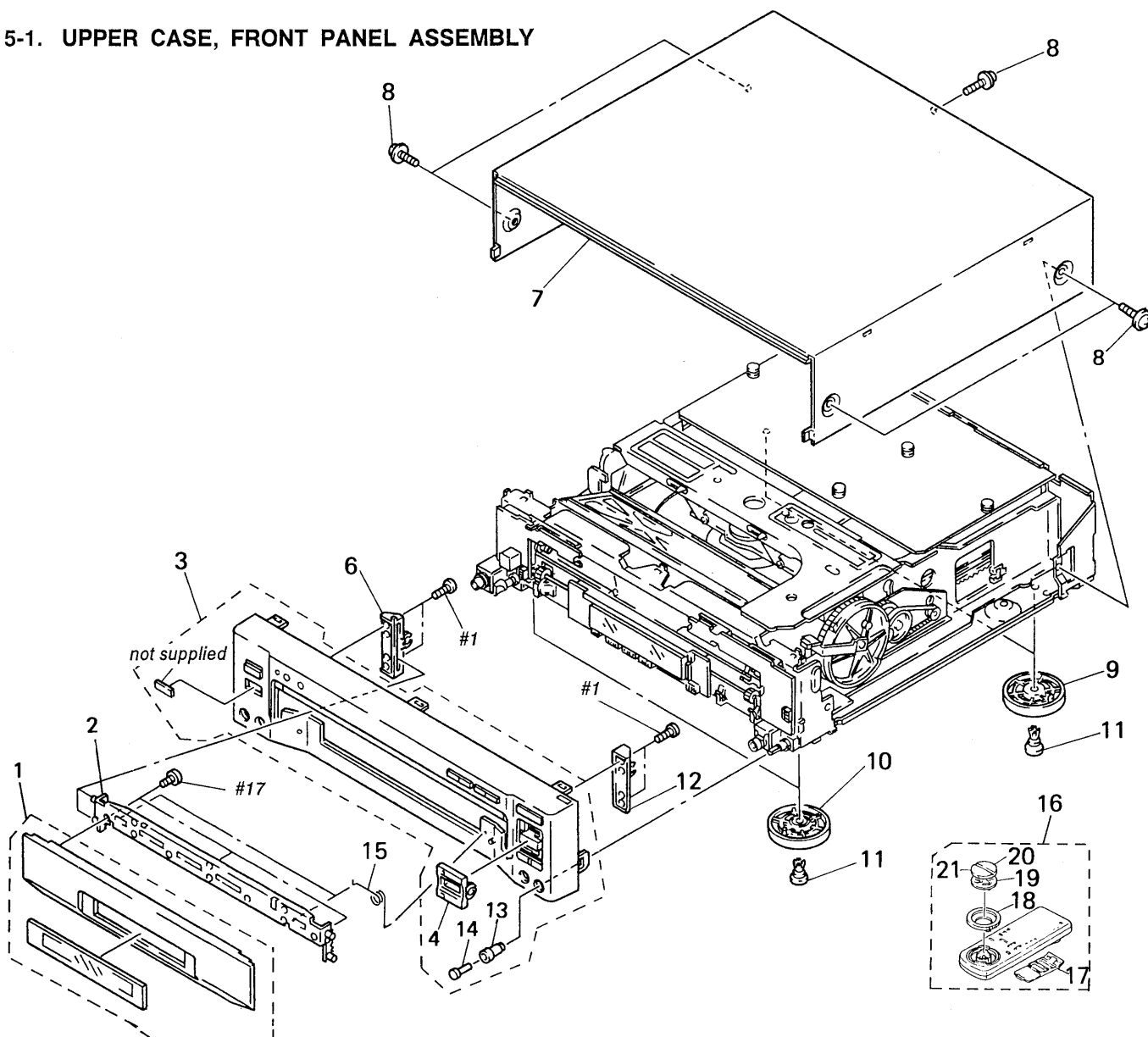
- -XX and -X mean standardized parts, so they may have some difference from the original one.

- Items marked "\*" are not stocked since they are seldom required for routine service. Some delay should be anticipated when ordering these items.
- The mechanical parts with no reference number in the exploded views are not supplied.
- Hardware (# mark) list is given in the last of this parts list.

The components identified by mark  $\Delta$  or dotted line with mark  $\Delta$  are critical for safety. Replace only with part number specified.

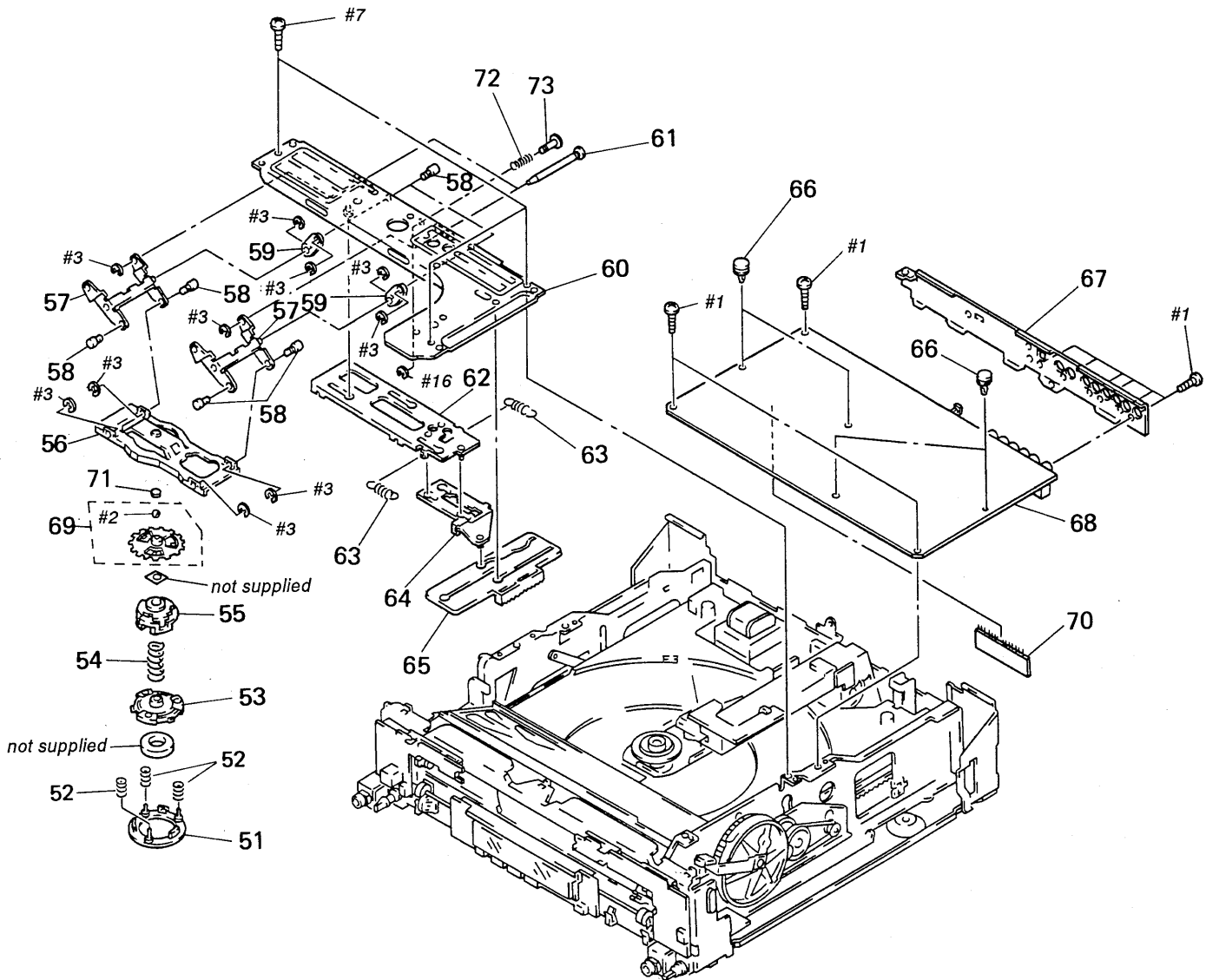
Les composants identifiés par une marque  $\Delta$  sont critiques pour la sécurité. Ne les remplacer que par une pièce portant le numéro spécifié.

### 5-1. UPPER CASE, FRONT PANEL ASSEMBLY



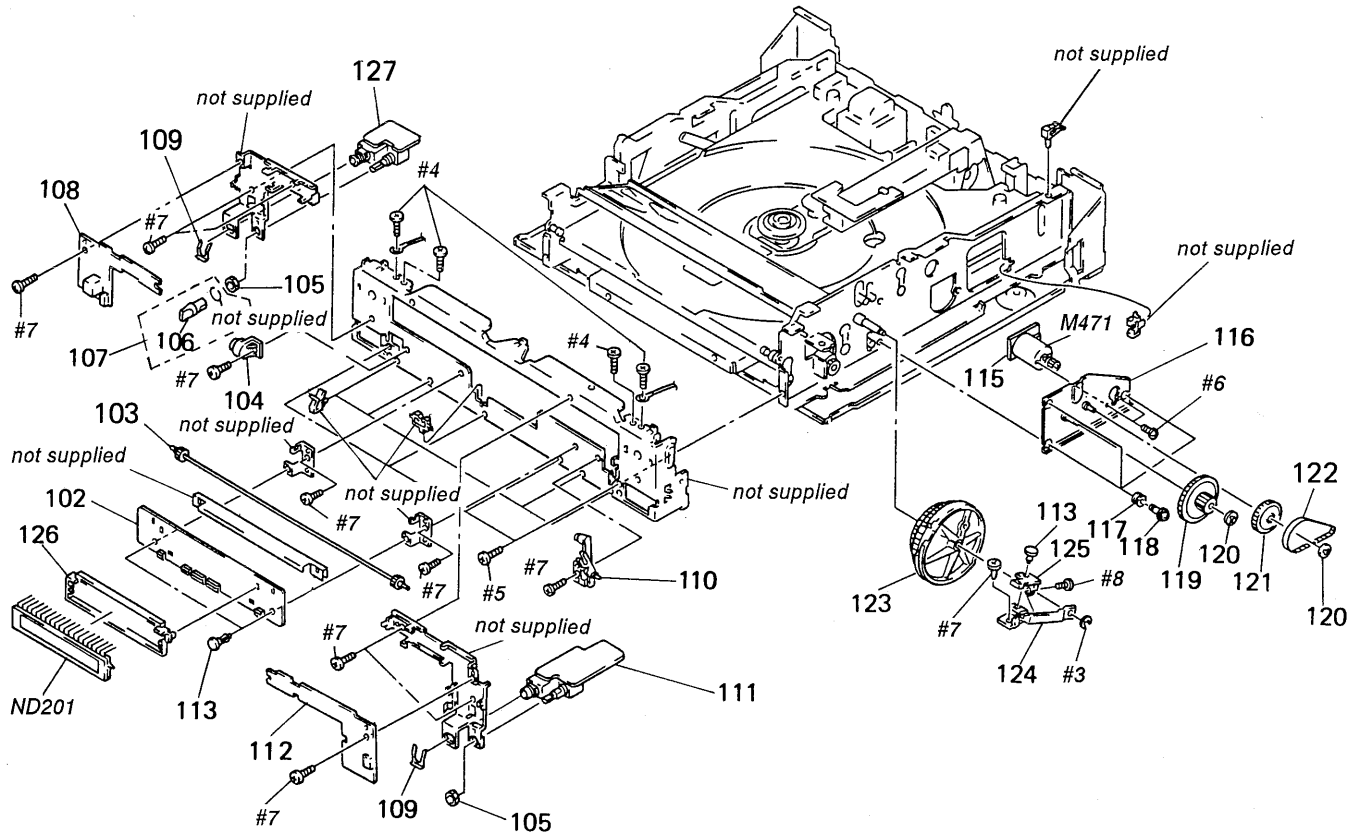
Ref. No.	Part No.	Description	Remark	Ref. No.	Part No.	Description	Remark
1	X-3942-784-1	DOOR ASSY (A1)		* 12	3-953-313-01	HOLDER (R), SLIDE	
1	X-3942-971-1	DOOR ASSY (600)		13	3-953-319-01	KNOB, ECHO (A1)	
2	X-3942-785-1	DISK ASSY, DOOR		13	3-953-319-11	KNOB, ECHO (600)	
3	X-3942-853-1	PANEL ASSY, FRONT (A1)		14	3-953-318-01	KNOB, MICROPHONE (A1)	
3	X-3942-990-1	PANEL ASSY, FRONT (600)		14	3-953-318-11	KNOB, MICROPHONE (600)	
4	X-3942-783-1	BUTTON ASSY, AB SELECTION (A1)		15	3-953-309-01	SPRING, TORSION	
* 6	3-953-312-01	HOLDER (L), SLIDE		16	1-693-095-81	REMOTE COMMANDER (RMT-M19A)	
* 7	X-3942-908-1	CASE ASSY, UPPER (600:CND)		16	1-693-095-81	(600/A1:E, Tourist)	
* 7	X-3942-909-1	CASE ASSY, UPPER (600:US, A1)		17	3-943-535-01	LID, BATTERY CASE	
8	3-710-901-11	SCREW, TAPPING		18	3-941-616-01	SHUTTLE RING	
9	X-3942-810-1	FOOT ASSY (A1)		19	3-941-619-01	DIAL HOLDER	
9	X-3943-008-1	FOOT ASSY (600)		20	3-941-617-21	BUTTON, PLAY	
10	X-3942-811-1	FOOT ASSY		21	3-941-618-21	BUTTON, PAUSE	
* 11	3-954-681-01	RIVET, NYLON					

## 5-2. CHUCK FRAME ASSEMBLY



Ref. No.	Part No.	Description	Remark	Ref. No.	Part No.	Description	Remark
51	X-3942-777-1	GUIDE (B) ASSY, CENTER		* 64	X-3942-800-1	LIMITER ASSY	
52	3-953-290-01	SPRING (2), COMPRESSION		65	3-953-348-01	CAM, CHUCK	
53	X-3942-776-1	HOLDER ASSY, MAGNET		* 66	4-386-173-01	SPACER	
54	3-953-291-01	SPRING (1), COMPRESSION		* 67	3-953-380-11	PLATE, JACK	
55	3-953-288-01	PLATE, CHUCKING		* 68	A-6421-960-A	MB-702 (J70) BOARD, COMPLETE (A1:E, Tourist)	
* 56	3-953-354-01	PLATE, CHUCK		* 68	A-6421-977-A	MB-702 (U70) BOARD, COMPLETE (600)	
* 57	X-3942-801-1	ARM (L) ASSY		* 68	A-6421-990-A	MB-702 (P70) BOARD, COMPLETE (A1:PX)	
* 58	3-953-345-01	SHAFT, ARM (S)		69	X-3942-787-1	PLATE ASSY, TOP	
* 59	3-953-352-01	ARM (S)		* 70	A-6421-984-A	TE-701 BOARD, COMPLETE	
* 60	X-3942-798-1	FRAME ASSY, CHUCK		71	3-953-392-01	RETAINER, THRUST	
* 61	3-953-355-01	SHAFT, SLIDE		72	3-353-241-01	SPRING, COMPRESSION	
* 62	X-3942-799-1	PLATE ASSY, SLIDE		* 73	3-953-831-01	STOPPER, OPT	
63	3-486-135-XX	SPRING, TENSION					

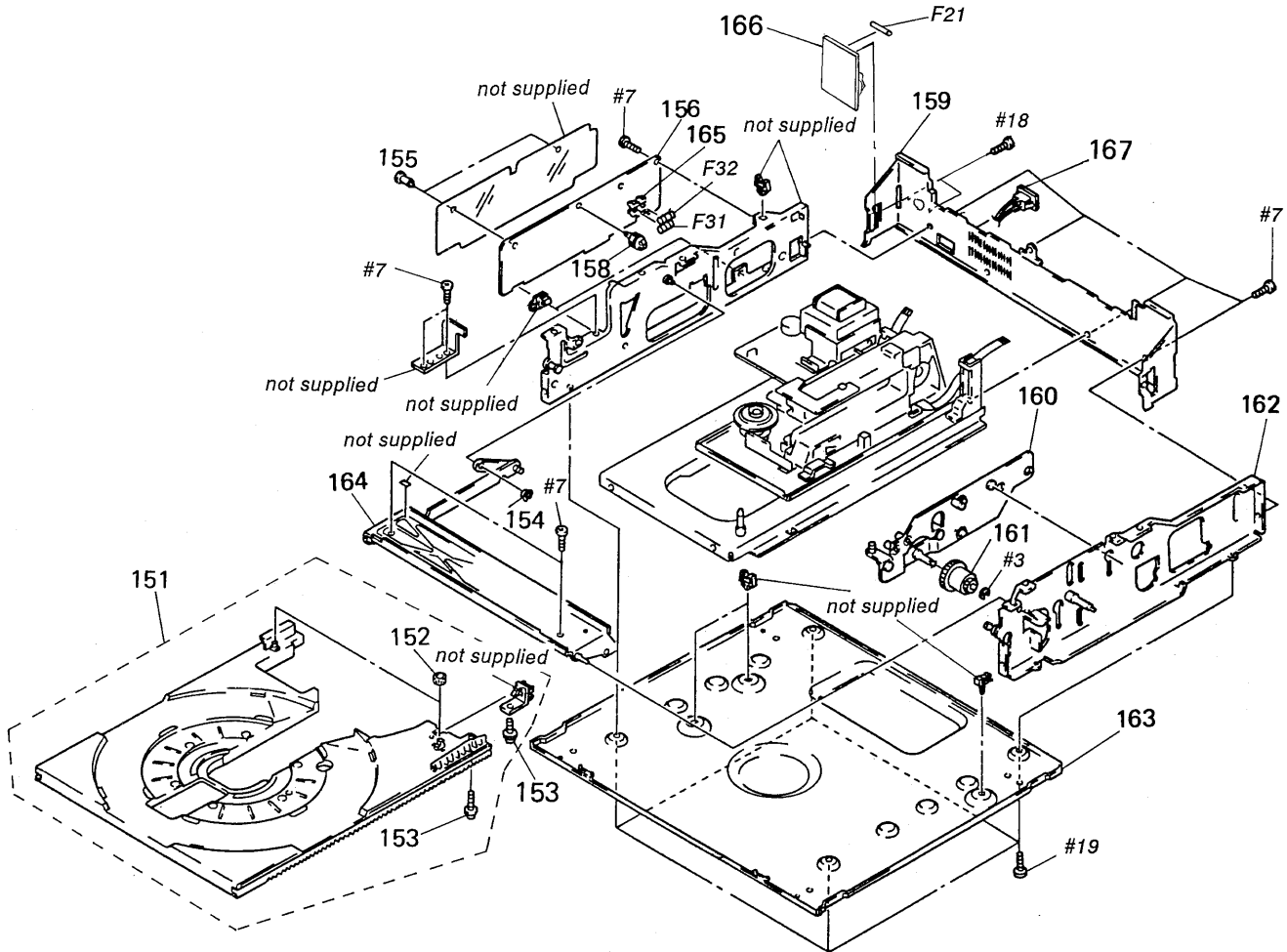
### 5-3. SUB FRONT PANEL ASSEMBLY



Ref. No.	Part No.	Description	Remark
* 102	A-6421-963-A	FP-717 BOARD, COMPLETE	
103	3-953-325-01	GEAR, PHASE	
104	4-919-393-01	DAMPER	
105	3-950-989-01	NUT (M7), HEXAGON	
106	3-945-284-01	KNOB, VOLUME (A1)	
* 106	A-6421-975-A	VS-705 (E70) BOARD, COMPLETE (A1)	
107	A-6415-521-A	KNOB BLOCK ASSY (GR) (A1)	
107	A-6415-522-A	KNOB BLOCK ASSY (BR) (600)	
* 108	A-6421-966-A	PW-705 BOARD, COMPLETE (600)	
* 108	A-6421-976-A	PW-705 (E70) BOARD, COMPLETE (A1)	
* 109	3-684-436-01	PLATE, MOUNT	
110	X-3942-786-1	LINK ASSY, DRIVING	
* 111	A-6421-965-A	MI-701 BOARD, COMPLETE (A1:E, Tourist)	
* 111	A-6423-006-A	MI-701 (U70) BOARD, COMPLETE (600/A1:PX)	
* 112	A-6421-964-A	SW-716 BOARD, COMPLETE (600)	
* 112	A-6421-972-A	SW-716 (E70) BOARD, COMPLETE (A1)	
113	3-531-576-11	RIVET	

Ref. No.	Part No.	Description	Remark
* 115	A-6421-953-A	MT-702 BOARD, COMPLETE	
* 116	X-3942-805-1	BRACKET ASSY, GEAR	
117	3-570-118-00	CUSHION, MOTOR	
118	3-570-027-00	SCREW, MOTOR	
119	3-953-358-01	GEAR, MIDWAY	
120	3-669-595-00	WASHER (2), STOPPER	
121	3-953-394-01	PULLEY (A)	
122	3-953-393-01	BELT, TIMING	
123	3-953-356-01	GEAR, CONTROL	
* 124	3-953-357-01	BRACKET, SW	
* 125	A-6421-954-A	SW-719 BOARD, COMPLETE	
126	3-953-317-01	HOLDER, TUBE, FL	
* 127	A-6421-962-A	HP-711 BOARD, COMPLETE (600)	
* 127	A-6421-974-A	HP-711 (E70) BOARD, COMPLETE (A1)	
M471	1-541-309-11	MOTOR, L (RF-370C) (LOADING)	
ND201	1-517-161-11	INDICATOR TUBE, FLUORESCENT	

### 5-4. CHASSIS ASSEMBLY



Ref. No.	Part No.	Description	Remark
151	X-3942-780-1	TRAY ASSY (600)	
151	X-3942-781-1	TRAY ASSY (A1)	
* 152	4-914-248-01	STOPPER, RUBBER	
153	3-710-901-41	SCREW, TAPPING	
154	3-703-074-00	CAP 3, SHAFT	
155	3-531-576-11	RIVET	
* 156	A-6421-959-A	PS-709 (J70) BOARD, COMPLETE (600)	
* 156	A-6421-992-A	PS-709 (P70) BOARD, COMPLETE (A1:PX)	
* 158	4-884-834-00	SUPPORT, PC	
* 159	3-953-382-21	PANEL, REAR (600)	
* 159	X-3942-907-1	PANEL ASSY, REAR (A1:E, Tourist)	
* 159	X-3943-041-3	PANEL ASSY, REAR (A1:PX)	

Ref. No.	Part No.	Description	Remark
160	X-3942-802-1	PLATE ASSY, BASE, LOADING	
161	3-953-361-01	GEAR, IDLER	
* 162	X-3942-803-1	FRAME (R) ASSY	
* 163	3-953-383-01	PLATE, BOTTOM	
* 164	X-3942-796-1	FRAME ASSY, TRAY T	
△F21	1-532-066-00	FUSE, TIME-LAG T0.4A 250V (A1)	
△F31	1-532-299-00	FUSE, TIME-LAG T5A 250V (A1)	
△F31	1-532-747-11	FUSE, GLASS TUBE 5A 125V (600)	
△F32	1-532-299-00	FUSE, TIME-LAG T5A 250V (A1)	
△F32	1-532-747-11	FUSE, GLASS TUBE 5A 125V (600)	

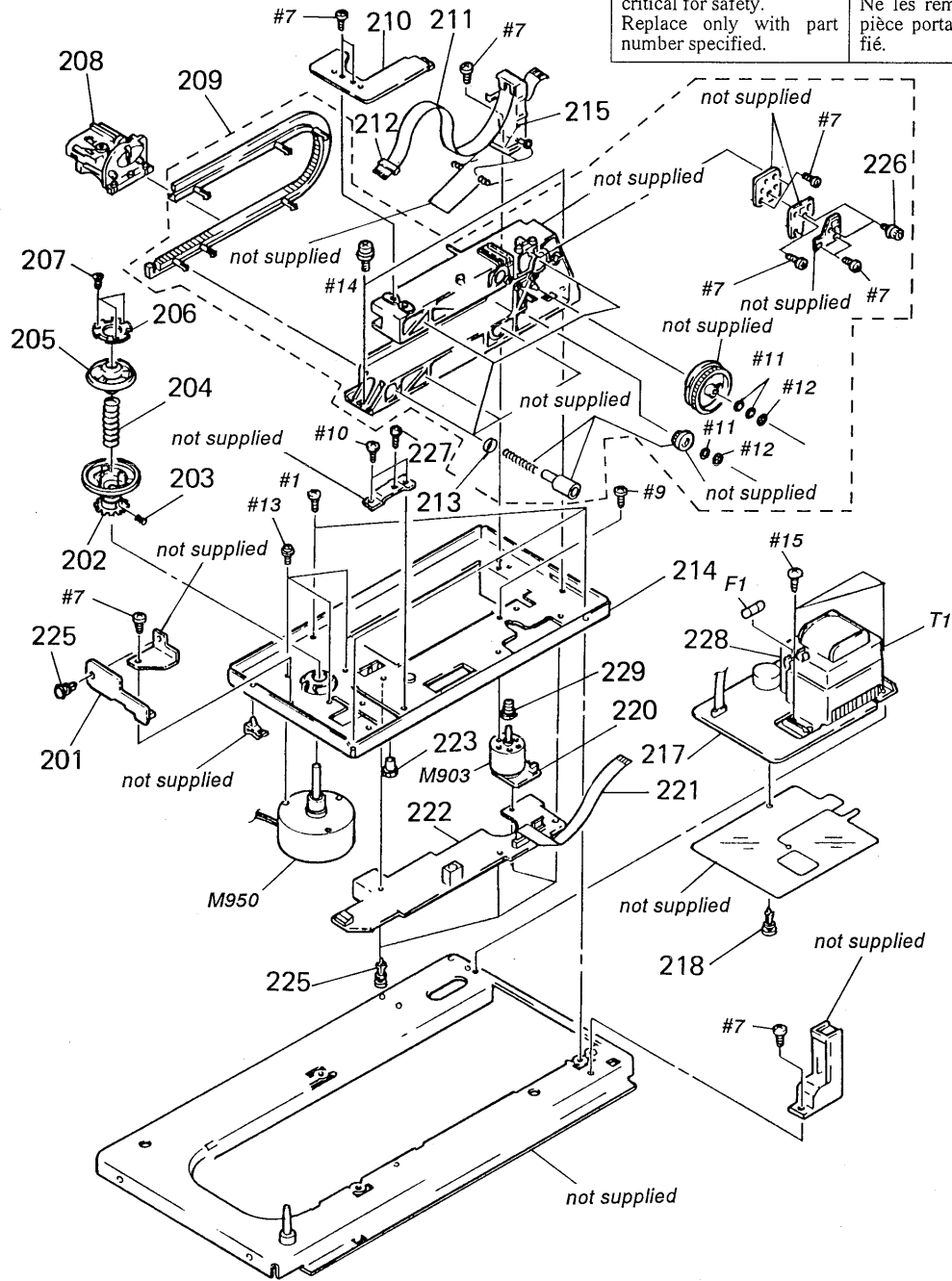
Note:  
The components identified by mark  $\triangle$  or dotted line with mark  $\triangle$  are critical for safety. Replace only with part number specified.

Note:  
Les composants identifiés par une marque  $\triangle$  sont critiques pour la sécurité. Ne les remplacer que par une pièce portant le numéro spécifié.

### 5-5. MD CHASSIS ASSEMBLY

Note:  
The components identified by mark  $\Delta$  or dotted line with mark  $\Delta$  are critical for safety. Replace only with part number specified.

Note:  
Les composants identifiés par une marque  $\Delta$  sont critiques pour la sécurité. Ne les remplacer que par une pièce portant le numéro spécifié.



Ref. No.	Part No.	Description	Remark
* 201	A-6421-957-A	FG-701 BOARD, COMPLETE (600)	
* 201	A-6421-969-A	FG-701 (E70) BOARD, COMPLETE (A1)	
202	X-3942-779-1	TURNTABLE ASSY	
203	3-701-507-00	SET SCREW, DOUBLE POINT, (M3X5)	
204	3-953-289-01	SPRING (3), COMPRESSION	
205	3-953-292-01	GUIDE, CENTER	
206	3-953-293-01	PLATE (C), YOKE	
207	3-953-294-01	SCREW (2X6), TAPPING	
208	8-848-286-01	DEVICE, OPTICAL KHS-150A	
209	A-6404-082-A	BASE BLOCK ASSY, FEED	
* 210	A-6421-958-A	BI-701 BOARD, COMPLETE (600)	
* 210	A-6421-970-A	BI-701 (E70) BOARD, COMPLETE (A1)	
211	1-751-083-11	CABLE, FLEXIBLE FLAT (18 CORE)	
212	3-953-268-01	HOLDER (18P), FLEXIBLE	
213	3-953-830-01	WASHER, U	
* 214	A-6404-074-A	PLATE BLOCK ASSY, BASE	
215	A-6404-076-A	STAND ASSY, FLEXIBLE RETAINER	
* 217	A-6421-978-A	TR-709 (U70) BOARD, COMPLETE (600)	
* 217	A-6421-993-A	TR-709 (P70) BOARD, COMPLETE (A1:PX)	

Ref. No.	Part No.	Description	Remark
218	3-531-576-11	RIVET	
* 220	A-6421-955-A	MT-701 BOARD, COMPLETE (600)	
* 220	A-6421-967-A	MT-701 (E70) BOARD, COMPLETE (A1)	
221	1-751-084-11	CABLE, FLEXIBLE FLAT (14 CORE)	
* 222	A-6421-956-A	MD-701 BOARD, COMPLETE (600)	
* 222	A-6421-968-A	MD-701 (E70) BOARD, COMPLETE (A1)	
223	3-953-828-01	NUT, TAN ADJUSTMENT	
225	3-703-356-00	RIVET, T TYPE	
226	3-899-249-01	BOLT, HEXAGON SOCKET	
227	3-953-829-01	BOLT	
$\Delta$ 228	1-533-189-11	HOLDER, FUSE	
229	3-735-038-01	GEAR, WORM (A1)	
$\Delta$ F1	1-532-215-00	FUSE, TIME-LAG TO. 8A 250V (A1)	
$\Delta$ F1	1-532-742-11	FUSE, GLASS TUBE 1.6A 125V (600)	
M903	1-541-930-11	MOTOR, DC (TILT)	
M950	1-698-109-11	MOTOR, DD (SPINDLE)	
$\Delta$ T1	1-423-522-11	TRANSFORMER, POWER (600)	
$\Delta$ T1	1-423-556-11	TRANSFORMER, POWER (A1)	

## SECTION 6 ELECTRICAL PARTS LIST

**NOTE:**

- Due to standardization, replacements in the parts list may be different from the parts specified in the diagrams or the components used on the set.
- -XX and -X mean standardized parts, so they may have some difference from the original one.
- RESISTORS  
All resistors are in ohms.  
METAL: Metal-film resistor.  
METAL OXIDE: Metal oxide-film resistor.  
F: nonflammable

- Items marked "\*" are not stocked since they are seldom required for routine service. Some delay should be anticipated when ordering these items.
- SEMICONDUCTORS  
In each case, u:  $\mu$ , for example:  
uA ..:  $\mu$ A. uPA..:  $\mu$ PA..  
uPB..:  $\mu$ PB. uPC..:  $\mu$ PC. uPD..:  $\mu$ PD..
- CAPACITORS  
uF:  $\mu$ F
- COILS  
uH:  $\mu$ H

When indicating parts by reference number, please include the board.

The components identified by mark  $\Delta$  or dotted line with mark  $\Delta$  are critical for safety. Replace only with part number specified.

Les composants identifiés par une marque  $\Delta$  sont critiques pour la sécurité. Ne les remplacer que par une pièce portant le numéro spécifié.

Ref. No.	Part No.	Description	Remark
*	A-6421-958-A	BI-701 BOARD, COMPLETE (600)	
*****			
*	A-6421-970-A	BI-701 (E70) BOARD, COMPLETE (A1)	
*****			
	3-953-261-01	HOLDER, PD	
		< CAPACITOR >	
C401	1-163-035-00	CERAMIC CHIP 0.047uF	50V
		< CONNECTOR >	
CN401	1-506-484-11	PIN, CONNECTOR 5P	
		< DIODE >	
D401	8-729-020-74	DIODE GP1S24	
D402	8-729-020-74	DIODE GP1S24	
		< JUMPER RESISTOR >	
JR401	1-216-296-00	METAL CHIP 0 5% 1/8W	
JR403	1-216-295-00	METAL CHIP 0 5% 1/10W	
JR404	1-216-296-00	METAL CHIP 0 5% 1/8W	
JR405	1-216-296-00	METAL CHIP 0 5% 1/8W	
		< TRANSISTOR >	
Q401	8-729-904-10	TRANSISTOR PT-360FS	
Q402	8-729-904-10	TRANSISTOR PT-360FS	
Q403	8-729-230-49	TRANSISTOR 2SC2712-YG	
Q404	8-729-230-49	TRANSISTOR 2SC2712-YG	
		< RESISTOR >	
R401	1-216-075-00	METAL CHIP 12K 5% 1/10W	
R402	1-216-073-00	METAL CHIP 10K 5% 1/10W	
R403	1-216-057-00	METAL CHIP 2.2K 5% 1/10W	
R404	1-216-057-00	METAL CHIP 2.2K 5% 1/10W	
R405	1-216-039-00	METAL CHIP 390 5% 1/10W	
R406	1-216-111-00	METAL CHIP 390K 5% 1/10W	
R407	1-216-099-00	METAL CHIP 120K 5% 1/10W	
R408	1-216-073-00	METAL CHIP 10K 5% 1/10W	
R409	1-216-073-00	METAL CHIP 10K 5% 1/10W	

Ref. No.	Part No.	Description	Remark
*	A-6421-957-A	FG-701 BOARD, COMPLETE (600)	
*****			
*	A-6421-969-A	FG-701 (E70) BOARD, COMPLETE (A1)	
*****			
		< CAPACITOR >	
C411	1-163-035-00	CERAMIC CHIP 0.047uF	50V
		< CONNECTOR >	
CN411	1-691-863-11	CONNECTOR, BOARD TO BOARD	
		< DIODE >	
D411	8-729-020-74	DIODE GP1S24	
D412	8-729-020-74	DIODE GP1S24	
		< JUMPER RESISTOR >	
JR410	1-216-296-00	METAL CHIP 0 5% 1/8W	
JR411	1-216-296-00	METAL CHIP 0 5% 1/8W	
JR412	1-216-295-00	METAL CHIP 0 5% 1/10W	
		< TRANSISTOR >	
Q411	8-729-216-22	TRANSISTOR 2SA1162-G	
Q412	8-729-216-22	TRANSISTOR 2SA1162-G	
		< RESISTOR >	
R411	1-216-037-00	METAL CHIP 330 5% 1/10W	
R412	1-216-097-00	METAL CHIP 100K 5% 1/10W	
R413	1-216-057-00	METAL CHIP 2.2K 5% 1/10W	
R414	1-216-089-00	METAL CHIP 47K 5% 1/10W	
R415	1-216-049-00	METAL CHIP 1K 5% 1/10W	
R416	1-216-097-00	METAL CHIP 100K 5% 1/10W	
R417	1-216-057-00	METAL CHIP 2.2K 5% 1/10W	
R418	1-216-089-00	METAL CHIP 47K 5% 1/10W	
R419	1-216-049-00	METAL CHIP 1K 5% 1/10W	

\*\*\*\*\*

Ref. No.	Part No.	Description	Remark
*	A-6421-963-A	FP-717 BOARD, COMPLETE *****	
	3-953-317-01	HOLDER, TUBE, FL	
		< CAPACITOR >	
C201	1-124-589-11	ELECT 47uF	20% 16V
C202	1-124-589-11	ELECT 47uF	20% 16V
C203	1-163-117-00	CERAMIC CHIP 100PF	5% 50V
C204	1-126-163-11	ELECT 4.7uF	20% 50V
C205	1-163-035-00	CERAMIC CHIP 0.047uF	50V
C206	1-163-035-00	CERAMIC CHIP 0.047uF	50V
C207	1-163-035-00	CERAMIC CHIP 0.047uF	50V
C208	1-124-248-00	ELECT 22uF	20% 35V
C209	1-126-096-11	ELECT 10uF	20% 35V
C210	1-163-035-00	CERAMIC CHIP 0.047uF	50V
C211	1-124-589-11	ELECT 47uF	20% 16V
C212	1-124-589-11	ELECT 47uF	20% 16V
C213	1-163-031-11	CERAMIC CHIP 0.01uF	50V
C215	1-163-035-00	CERAMIC CHIP 0.047uF	50V
△C216	1-163-035-00	CERAMIC CHIP 0.047uF	50V
C217	1-163-101-00	CERAMIC CHIP 22PF	5% 50V
C218	1-163-101-00	CERAMIC CHIP 22PF	5% 50V
C219	1-163-093-00	CERAMIC CHIP 10PF	5% 50V
△C220	1-163-035-00	CERAMIC CHIP 0.047uF	50V
		< CONNECTOR >	
CN201	1-506-483-21	PIN, CONNECTOR 4P	
CN202	1-506-486-11	PIN, CONNECTOR 7P	
* CN203	1-564-018-61	PIN, CONNECTOR 8P	
CN204	1-506-484-11	PIN, CONNECTOR 5P	
CN205	1-506-485-11	PIN, CONNECTOR 6P	
		< DIODE >	
D201	8-719-210-39	DIODE EC10QS-04	
D202	8-719-978-93	DIODE DTZ30B	
D203	8-719-210-39	DIODE EC10QS-04	
D204	8-719-401-30	DIODE MA3047-TX	
D205	8-719-210-39	DIODE EC10QS-04	
△D206	8-719-400-18	DIODE MA152WK	
		< FILTER >	
FL201	1-421-927-21	FILTER, NOISE	
		< IC >	
IC201	8-759-098-79	IC MB89095-127	
IC202	8-759-074-39	IC PST572DMT	

Ref. No.	Part No.	Description	Remark
		< JUMPER RESISTOR >	
JR001	1-216-296-00	METAL CHIP 0 5% 1/8W	
		< COIL >	
L201	1-414-189-31	INDUCTOR 100uH	
L202	1-414-189-31	INDUCTOR 100uH	
		< FLUORESCENT INDICATOR >	
ND201	1-517-161-11	INDICATOR TUBE, FLUORESCENT	
		< TRANSISTOR >	
Q201	8-729-207-69	TRANSISTOR RN2403	
Q202	8-729-207-69	TRANSISTOR RN2403	
Q203	8-729-140-97	TRANSISTOR 2SB734-34	
Q204	8-729-216-22	TRANSISTOR 2SA1162-G	
Q209	8-729-207-58	TRANSISTOR RN1404	
		< RESISTOR >	
R201	1-216-037-00	METAL CHIP 330 5% 1/10W	
R202	1-216-037-00	METAL CHIP 330 5% 1/10W	
R203	1-216-009-00	METAL CHIP 22 5% 1/10W	
R204	1-216-073-00	METAL CHIP 10K 5% 1/10W	
R205	1-216-063-00	METAL CHIP 3.9K 5% 1/10W	
R206	1-216-063-00	METAL CHIP 3.9K 5% 1/10W	
R207	1-216-059-00	METAL CHIP 2.7K 5% 1/10W	
R208	1-216-081-00	METAL CHIP 22K 5% 1/10W	
R209	1-216-073-00	METAL CHIP 10K 5% 1/10W	
R210	1-249-424-11	CARBON 3.9K 5% 1/4W F	
R211	1-216-073-00	METAL CHIP 10K 5% 1/10W	
R212	1-216-049-00	METAL CHIP 1K 5% 1/10W	
R213	1-216-073-00	METAL CHIP 10K 5% 1/10W	
R214	1-216-073-00	METAL CHIP 10K 5% 1/10W	
R215	1-216-033-00	METAL CHIP 220 5% 1/10W	
R216	1-216-073-00	METAL CHIP 10K 5% 1/10W	
R217	1-216-049-00	METAL CHIP 1K 5% 1/10W	
R218	1-216-073-00	METAL CHIP 10K 5% 1/10W	
R219	1-216-033-00	METAL CHIP 220 5% 1/10W	
R220	1-216-033-00	METAL CHIP 220 5% 1/10W	
R221	1-216-049-00	METAL CHIP 1K 5% 1/10W	
R222	1-216-073-00	METAL CHIP 10K 5% 1/10W	
R223	1-216-033-00	METAL CHIP 220 5% 1/10W	
R224	1-216-049-00	METAL CHIP 1K 5% 1/10W	
R230	1-216-065-00	METAL CHIP 4.7K 5% 1/10W	
△R233	1-216-675-11	METAL CHIP 10K 0.5% 1/10W	
R234	1-216-073-00	METAL CHIP 10K 5% 1/10W	
△R235	1-216-675-11	METAL CHIP 10K 0.5% 1/10W	
R236	1-216-049-00	METAL CHIP 1K 5% 1/10W	
R237	1-216-049-00	METAL CHIP 1K 5% 1/10W	

The components identified by mark △ or dotted line with mark △ are critical for safety. Replace only with part number specified.

Les composants identifiés par une marque △ sont critiques pour la sécurité. Ne les remplacer que par une pièce portant le numéro spécifié.



Ref. No.	Part No.	Description			Remark
R238	1-216-033-00	METAL CHIP	220	5%	1/10W
R239	1-216-033-00	METAL CHIP	220	5%	1/10W
R240	1-216-033-00	METAL CHIP	220	5%	1/10W
△R250	1-216-049-00	METAL CHIP	1K	5%	1/10W
△R251	1-216-073-00	METAL CHIP	10K	5%	1/10W
△R252	1-216-073-00	METAL CHIP	10K	5%	1/10W
< SWITCH >					
S201	1-692-440-11	SWITCH, PUSH (DOOR)			
< TRANSFORMER >					
T201	1-448-740-21	TRANSFORMER, DC-DC CONVERTER			
< VIBRATOR >					
X201	1-579-431-11	VIBLATOR, CRYSTAL (32KHz)			
X202	1-579-223-11	OSCILLATOR, CERAMIC (8NHz)			
*****					
*	A-6421-962-A	HP-711 BOARD, COMPLETE (600)	*****		
*	A-6421-974-A	HP-711 (E70) BOARD, COMPLETE (A1)	*****		
< CAPACITOR >					
C551	1-163-038-00	CERAMIC CHIP	0.1uF		25V
< CONNECTOR >					
CN551	1-506-468-11	PIN, CONNECTOR 3P			
< DIODE >					
D551	8-719-911-19	DIODE 1SS119			
D552	8-719-911-19	DIODE 1SS119			
< FERRITE BEAD >					
FB551	1-543-775-11	FILTER, EMI			
FB552	1-543-775-11	FILTER, EMI			
FB553	1-543-775-11	FILTER, EMI			
< ENCAPSULATED COMPONENT >					
FL551	1-236-728-11	ENCAPSULATED COMPONENT			
< JACK >					
J551	1-568-151-21	JACK, LARGE TYPE (PHONES)			
< RESISTOR >					
R522	1-216-162-00	METAL GLAZE	33	5%	1/8W
R523	1-216-162-00	METAL GLAZE	33	5%	1/8W

Ref. No.	Part No.	Description			Remark
R551	1-216-057-00	METAL CHIP	2.2K	5%	1/10W
R554	1-216-057-00	METAL CHIP	2.2K	5%	1/10W
< VARIABLE RESISTOR >					
RV551	1-223-191-11	RES, VAR, CARBON 500/500 (LEVEL)			
*****					
*	A-6421-960-A	MB-702 (J70) BOARD, COMPLETE (A1:E, Tourist)	*****		
*	A-6421-977-A	MB-702 (U70) BOARD, COMPLETE (600)	*****		
*	A-6421-990-A	MB-702 (P70) BOARD, COMPLETE (A1:PX)	*****		
*****					
*	3-738-015-01	COVER, (DIA. 6) CARBON VR (Z001, 401)			
	3-954-678-01	SHIELD (UPPER), MB			
	9-911-839-XX	CUSHION			
< CAPACITOR >					
C001	1-163-038-00	CERAMIC CHIP	0.1uF		25V
C002	1-163-038-00	CERAMIC CHIP	0.1uF		25V
C003	1-163-031-11	CERAMIC CHIP	0.01uF		50V
C004	1-163-239-11	CERAMIC CHIP	33PF	5%	50V
C005	1-124-126-00	ELECT	47uF	20%	16V
C006	1-163-038-00	CERAMIC CHIP	0.1uF		25V
C007	1-163-024-00	CERAMIC CHIP	0.018uF	10%	50V
C008	1-164-232-11	CERAMIC CHIP	0.01uF		50V
C009	1-163-031-11	CERAMIC CHIP	0.01uF		50V
C010	1-163-031-11	CERAMIC CHIP	0.01uF		50V
C011	1-126-177-11	ELECT	100uF	20%	10V
C012	1-126-177-11	ELECT	100uF	20%	10V
C013	1-126-177-11	ELECT	100uF	20%	10V
C014	1-163-241-11	CERAMIC CHIP	39PF	5%	50V
C015	1-163-038-00	CERAMIC CHIP	0.1uF		25V
C016	1-163-031-11	CERAMIC CHIP	0.01uF		50V
C017	1-163-106-00	CERAMIC CHIP	36PF	5%	50V
C018	1-126-177-11	ELECT	100uF	20%	10V
C019	1-126-154-11	ELECT	47uF	20%	6.3V
C020	1-163-038-00	CERAMIC CHIP	0.1uF		25V
C021	1-126-157-11	ELECT	10uF	20%	16V
C022	1-126-157-11	ELECT	10uF	20%	16V
C023	1-163-809-11	CERAMIC CHIP	0.047uF	10%	25V
C024	1-163-031-11	CERAMIC CHIP	0.01uF		50V
C025	1-163-031-11	CERAMIC CHIP	0.01uF		50V
C026	1-163-031-11	CERAMIC CHIP	0.01uF		50V
C027	1-163-031-11	CERAMIC CHIP	0.01uF		50V
C028	1-163-031-11	CERAMIC CHIP	0.01uF		50V
C029	1-163-031-11	CERAMIC CHIP	0.01uF		50V
C030	1-163-031-11	CERAMIC CHIP	0.01uF		50V

The components identified by mark △ or dotted line with mark △ are critical for safety. Replace only with part number specified.

Les composants identifiés par une marque △ sont critiques pour la sécurité. Ne les remplacer que par une pièce portant le numéro spécifié.

Ref. No.	Part No.	Description	Remark	Ref. No.	Part No.	Description	Remark			
C031	1-163-224-11	CERAMIC CHIP	7PF	0.25PF	50V	C095	1-163-031-11 CERAMIC CHIP	0.01uF	50V	
C032	1-163-031-11	CERAMIC CHIP	0.01uF	50V	C096	1-163-031-11 CERAMIC CHIP	0.01uF	50V		
C033	1-163-031-11	CERAMIC CHIP	0.01uF	50V	C097	1-163-031-11 CERAMIC CHIP	0.01uF	50V		
C034	1-163-031-11	CERAMIC CHIP	0.01uF	50V	C099	1-124-126-00 ELECT	47uF	20%	16V	
C035	1-163-031-11	CERAMIC CHIP	0.01uF	50V	C100	1-163-235-11 CERAMIC CHIP	22PF	5%	50V	
C036	1-163-031-11	CERAMIC CHIP	0.01uF	50V	C101	1-163-031-11 CERAMIC CHIP	0.01uF	50V		
C037	1-163-031-11	CERAMIC CHIP	0.01uF	50V	C102	1-124-126-00 ELECT	47uF	20%	16V	
C038	1-163-031-11	CERAMIC CHIP	0.01uF	50V	C103	1-124-464-11 ELECT	0.22uF	20%	50V	
C039	1-163-031-11	CERAMIC CHIP	0.01uF	50V	C104	1-163-239-11 CERAMIC CHIP	33PF	5%	50V	
C040	1-163-031-11	CERAMIC CHIP	0.01uF	50V	C105	1-124-589-11 ELECT	47uF	20%	16V	
C041	1-163-031-11	CERAMIC CHIP	0.01uF	50V	C106	1-163-031-11 CERAMIC CHIP	0.01uF	50V		
C042	1-126-177-11	ELECT	100uF	20%	10V	C107	1-124-126-00 ELECT	47uF	20%	16V
C043	1-124-903-11	ELECT	1uF	20%	50V	C108	1-163-031-11 CERAMIC CHIP	0.01uF	50V	
C044	1-163-031-11	CERAMIC CHIP	0.01uF	50V	C109	1-163-031-11 CERAMIC CHIP	0.01uF	50V		
C045	1-124-903-11	ELECT	1uF	20%	50V	C110	1-163-229-11 CERAMIC CHIP	12PF	5%	50V
C046	1-126-177-11	ELECT	100uF	20%	10V	C111	1-163-031-11 CERAMIC CHIP	0.01uF	50V	
C047	1-163-257-11	CERAMIC CHIP	180PF	5%	50V	C112	1-163-031-11 CERAMIC CHIP	0.01uF	50V	
C048	1-163-096-00	CERAMIC CHIP	13PF	5%	50V	C113	1-163-031-11 CERAMIC CHIP	0.01uF	50V	
C049	1-126-177-11	ELECT	100uF	20%	10V	C114	1-163-031-11 CERAMIC CHIP	0.01uF	50V	
C051	1-163-099-00	CERAMIC CHIP	18PF	5%	50V	C115	1-164-005-11 CERAMIC CHIP	0.47uF	25V	
C052	1-163-097-00	CERAMIC CHIP	15PF	5%	50V	C116	1-163-038-00 CERAMIC CHIP	0.1uF	25V	
C053	1-163-031-11	CERAMIC CHIP	0.01uF	50V	C117	1-163-031-11 CERAMIC CHIP	0.01uF	50V		
C054	1-163-237-11	CERAMIC CHIP	27PF	5%	50V	C118	1-126-177-11 ELECT	100uF	20%	10V
C055	1-163-243-11	CERAMIC CHIP	47PF	5%	50V	C119	1-163-243-11 CERAMIC CHIP	47PF	5%	50V
C056	1-163-227-11	CERAMIC CHIP	10PF	0.5PF	50V	C120	1-163-227-11 CERAMIC CHIP	10PF	0.5PF	50V
C057	1-126-154-11	ELECT	47uF	20%	6.3V	C121	1-163-113-00 CERAMIC CHIP	68PF	5%	50V
C058	1-163-031-11	CERAMIC CHIP	0.01uF	50V	C122	1-163-031-11 CERAMIC CHIP	0.01uF	50V		
C059	1-126-157-11	ELECT	10uF	20%	16V	C125	1-163-038-00 CERAMIC CHIP	0.1uF	25V	
C060	1-163-038-00	CERAMIC CHIP	0.1uF	25V	C126	1-124-257-00 ELECT	2.2uF	20%	50V	
C061	1-126-177-11	ELECT	100uF	20%	10V	C127	1-124-257-00 ELECT	2.2uF	20%	50V
C062	1-163-031-11	CERAMIC CHIP	0.01uF	50V	C128	1-163-031-11 CERAMIC CHIP	0.01uF	50V		
C064	1-126-177-11	ELECT	100uF	20%	10V	C129	1-163-031-11 CERAMIC CHIP	0.01uF	50V	
C065	1-163-031-11	CERAMIC CHIP	0.01uF	50V	C130	1-126-177-11 ELECT	100uF	20%	10V	
C066	1-163-031-11	CERAMIC CHIP	0.01uF	50V	C131	1-163-031-11 CERAMIC CHIP	0.01uF	50V		
C068	1-163-099-00	CERAMIC CHIP	18PF	5%	50V	C133	1-163-031-11 CERAMIC CHIP	0.01uF	50V	
C069	1-126-177-11	ELECT	100uF	20%	10V	C134	1-163-031-11 CERAMIC CHIP	0.01uF	50V	
C070	1-163-224-11	CERAMIC CHIP	7PF	0.25PF	50V	C135	1-163-031-11 CERAMIC CHIP	0.01uF	50V	
C071	1-163-038-00	CERAMIC CHIP	0.1uF	25V	C136	1-163-239-11 CERAMIC CHIP	33PF	5%	50V	
C072	1-163-031-11	CERAMIC CHIP	0.01uF	50V	C137	1-163-235-11 CERAMIC CHIP	22PF	5%	50V	
C074	1-126-177-11	ELECT	100uF	20%	10V	C138	1-163-229-11 CERAMIC CHIP	12PF	5%	50V
C076	1-163-038-00	CERAMIC CHIP	0.1uF	25V	C139	1-163-031-11 CERAMIC CHIP	0.01uF	50V		
C078	1-163-031-11	CERAMIC CHIP	0.01uF	50V	C140	1-163-038-00 CERAMIC CHIP	0.1uF	25V		
C079	1-163-031-11	CERAMIC CHIP	0.01uF	50V	C141	1-163-038-00 CERAMIC CHIP	0.1uF	25V		
C080	1-126-177-11	ELECT	100uF	20%	10V	C142	1-126-177-11 ELECT	100uF	20%	10V
C081	1-126-177-11	ELECT	100uF	20%	10V	C143	1-163-237-11 CERAMIC CHIP	27PF	5%	50V
C082	1-163-038-00	CERAMIC CHIP	0.1uF	25V	C144	1-163-237-11 CERAMIC CHIP	27PF	5%	50V	
C083	1-163-038-00	CERAMIC CHIP	0.1uF	25V	C145	1-163-251-11 CERAMIC CHIP	100PF	5%	50V	
C084	1-126-177-11	ELECT	100uF	20%	10V	C146	1-163-241-11 CERAMIC CHIP	39PF	5%	50V
C088	1-164-346-11	CERAMIC CHIP	1uF	16V	C147	1-163-031-11 CERAMIC CHIP	0.01uF	50V		

Ref. No.	Part No.	Description	Remark
C148	1-163-239-11	CERAMIC CHIP	33PF 5% 50V
C149	1-163-031-11	CERAMIC CHIP	0.01uF 50V
C150	1-163-031-11	CERAMIC CHIP	0.01uF 50V
C151	1-163-038-00	CERAMIC CHIP	0.1uF 25V
C155	1-163-097-00	CERAMIC CHIP	15PF 5% 50V
C156	1-163-097-00	CERAMIC CHIP	15PF 5% 50V
C157	1-164-005-11	CERAMIC CHIP	0.47uF 25V
C158	1-161-494-00	CERAMIC	0.022uF 25V (600/A1:PX)
C160	1-163-031-11	CERAMIC CHIP	0.01uF 50V
C162	1-163-127-00	CERAMIC CHIP	270PF 5% 50V
C163	1-163-241-11	CERAMIC CHIP	39PF 5% 50V
C164	1-163-125-00	CERAMIC CHIP	220PF 5% 50V
C165	1-163-097-00	CERAMIC CHIP	15PF 5% 50V
C170	1-163-031-11	CERAMIC CHIP	0.01uF 50V
C171	1-163-031-11	CERAMIC CHIP	0.01uF 50V
C172	1-163-019-00	CERAMIC CHIP	0.0068uF 10% 50V
C173	1-124-903-11	ELECT	1uF 20% 50V
C174	1-164-346-11	CERAMIC CHIP	1uF 16V
C175	1-163-038-00	CERAMIC CHIP	0.1uF 25V
C176	1-163-038-00	CERAMIC CHIP	0.1uF 25V
C201	1-163-031-11	CERAMIC CHIP	0.01uF 50V
C202	1-163-031-11	CERAMIC CHIP	0.01uF 50V
C203	1-164-232-11	CERAMIC CHIP	0.01uF 50V
C204	1-163-809-11	CERAMIC CHIP	0.047uF 10% 25V
C205	1-163-011-11	CERAMIC CHIP	0.0015uF 10% 50V
C206	1-163-031-11	CERAMIC CHIP	0.01uF 50V
C207	1-124-126-00	ELECT	47uF 20% 16V
C208	1-164-232-11	CERAMIC CHIP	0.01uF 50V
C209	1-164-005-11	CERAMIC CHIP	0.47uF 25V
C210	1-163-235-11	CERAMIC CHIP	22PF 5% 50V
C211	1-124-126-00	ELECT	47uF 20% 16V
C212	1-163-133-00	CERAMIC CHIP	470PF 5% 50V
C213	1-163-241-11	CERAMIC CHIP	39PF 5% 50V
C214	1-164-232-11	CERAMIC CHIP	0.01uF 50V
C215	1-163-241-11	CERAMIC CHIP	39PF 5% 50V
C216	1-164-232-11	CERAMIC CHIP	0.01uF 50V
C217	1-163-031-11	CERAMIC CHIP	0.01uF 50V
C218	1-124-126-00	ELECT	47uF 20% 16V
C219	1-163-133-00	CERAMIC CHIP	470PF 5% 50V
C220	1-164-232-11	CERAMIC CHIP	0.01uF 50V
C221	1-164-232-11	CERAMIC CHIP	0.01uF 50V
C222	1-163-121-00	CERAMIC CHIP	150PF 5% 50V
C223	1-163-241-11	CERAMIC CHIP	39PF 5% 50V
C224	1-126-177-11	ELECT	100uF 20% 10V
C225	1-163-038-00	CERAMIC CHIP	0.1uF 25V
C226	1-164-695-11	CERAMIC CHIP	0.0022uF 5% 50V
C227	1-163-809-11	CERAMIC CHIP	0.047uF 10% 25V
C228	1-163-031-11	CERAMIC CHIP	0.01uF 50V

Ref. No.	Part No.	Description	Remark
C229	1-163-031-11	CERAMIC CHIP	0.01uF 50V
C230	1-163-031-11	CERAMIC CHIP	0.01uF 50V
C231	1-163-031-11	CERAMIC CHIP	0.01uF 50V
C232	1-124-126-00	ELECT	47uF 20% 16V
C233	1-124-927-11	ELECT	4.7uF 20% 100V
C234	1-163-031-11	CERAMIC CHIP	0.01uF 50V
C235	1-124-126-00	ELECT	47uF 20% 16V
C236	1-163-031-11	CERAMIC CHIP	0.01uF 50V
C238	1-124-499-11	ELECT, NONPOLAR	1uF 20% 50V
C239	1-124-287-00	ELECT	10uF 20% 10V
C240	1-163-113-00	CERAMIC CHIP	68PF 5% 50V
C241	1-163-113-00	CERAMIC CHIP	68PF 5% 50V
C242	1-163-031-11	CERAMIC CHIP	0.01uF 50V
C243	1-163-031-11	CERAMIC CHIP	0.01uF 50V
C244	1-163-031-11	CERAMIC CHIP	0.01uF 50V
C245	1-124-126-00	ELECT	47uF 20% 16V
C246	1-163-031-11	CERAMIC CHIP	0.01uF 50V
C247	1-163-102-00	CERAMIC CHIP	24PF 5% 50V
C248	1-163-031-11	CERAMIC CHIP	0.01uF 50V
C249	1-163-031-11	CERAMIC CHIP	0.01uF 50V
C250	1-163-115-00	CERAMIC CHIP	82PF 5% 50V
C251	1-163-241-11	CERAMIC CHIP	39PF 5% 50V
C252	1-163-241-11	CERAMIC CHIP	39PF 5% 50V
C253	1-124-126-00	ELECT	47uF 20% 16V
C254	1-163-031-11	CERAMIC CHIP	0.01uF 50V
C255	1-163-115-00	CERAMIC CHIP	82PF 5% 50V
C256	1-163-241-11	CERAMIC CHIP	39PF 5% 50V
C257	1-163-241-11	CERAMIC CHIP	39PF 5% 50V
C258	1-104-547-11	FILM CHIP	0.0047uF 5% 16V
C259	1-104-540-11	FILM CHIP	0.0012uF 5% 50V
C260	1-104-547-11	FILM CHIP	0.0047uF 5% 16V
C261	1-104-540-11	FILM CHIP	0.0012uF 5% 50V
C262	1-163-031-11	CERAMIC CHIP	0.01uF 50V
C263	1-130-495-00	MYLAR	0.1uF 5% 50V
C264	1-130-495-00	MYLAR	0.1uF 5% 50V
C265	1-163-031-11	CERAMIC CHIP	0.01uF 50V
C266	1-163-031-11	CERAMIC CHIP	0.01uF 50V
C267	1-130-495-00	MYLAR	0.1uF 5% 50V
C268	1-163-031-11	CERAMIC CHIP	0.01uF 50V
C269	1-130-495-00	MYLAR	0.1uF 5% 50V
C270	1-126-022-11	ELECT	47uF 20% 16V
C271	1-126-022-11	ELECT	47uF 20% 16V
C272	1-163-031-11	CERAMIC CHIP	0.01uF 50V
C273	1-163-031-11	CERAMIC CHIP	0.01uF 50V
C274	1-126-022-11	ELECT	47uF 20% 16V
C275	1-163-031-11	CERAMIC CHIP	0.01uF 50V
C276	1-163-031-11	CERAMIC CHIP	0.01uF 50V
C277	1-126-022-11	ELECT	47uF 20% 16V
C278	1-126-022-11	ELECT	47uF 20% 16V

Ref. No.	Part No.	Description	Remark
C279	1-126-022-11	ELECT	47uF 20% 16V
C280	1-163-031-11	CERAMIC CHIP	0.01uF 50V
C281	1-124-126-00	ELECT	47uF 20% 16V
C282	1-124-126-00	ELECT	47uF 20% 16V
C283	1-163-031-11	CERAMIC CHIP	0.01uF 50V
C289	1-124-126-00	ELECT	47uF 20% 16V
C290	1-163-038-00	CERAMIC CHIP	0.1uF 25V
C291	1-163-031-11	CERAMIC CHIP	0.01uF 50V
C292	1-163-031-11	CERAMIC CHIP	0.01uF 50V
C293	1-163-031-11	CERAMIC CHIP	0.01uF 50V
C294	1-163-031-11	CERAMIC CHIP	0.01uF 50V
C295	1-163-031-11	CERAMIC CHIP	0.01uF 50V
C296	1-163-031-11	CERAMIC CHIP	0.01uF 50V
C297	1-163-031-11	CERAMIC CHIP	0.01uF 50V
C298	1-163-031-11	CERAMIC CHIP	0.01uF 50V
C299	1-126-947-11	ELECT	47uF 20% 35V
C300	1-163-038-00	CERAMIC CHIP	0.1uF 25V
C302	1-126-177-11	ELECT	100uF 20% 10V
C303	1-126-177-11	ELECT	100uF 20% 10V
C307	1-163-031-11	CERAMIC CHIP	0.01uF 50V
C308	1-124-927-11	ELECT	4.7uF 20% 100V
C313	1-124-126-00	ELECT	47uF 20% 16V (A1:PX)
C314	1-124-126-00	ELECT	47uF 20% 16V (A1:PX)
C315	1-124-915-11	ELECT	10uF 20% 63V (A1:PX)
C316	1-164-182-11	CERAMIC CHIP	0.0033uF 10% 50V (A1:PX)
C327	1-162-970-11	CERAMIC CHIP	0.01uF 10% 25V
C329	1-124-903-11	ELECT	1uF 20% 50V
C330	1-124-903-11	ELECT	1uF 20% 50V
C331	1-104-541-11	FILM CHIP	0.0015uF 5% 50V
C332	1-104-541-11	FILM CHIP	0.0015uF 5% 50V
C333	1-104-541-11	FILM CHIP	0.0015uF 5% 50V
C334	1-104-541-11	FILM CHIP	0.0015uF 5% 50V
C335	1-124-997-11	ELECT	470uF 20% 10V
C399	1-163-241-11	CERAMIC CHIP	39PF 5% 50V
C401	1-163-121-00	CERAMIC CHIP	150PF 5% 50V
C402	1-164-005-11	CERAMIC CHIP	0.47uF 25V
C403	1-163-133-00	CERAMIC CHIP	470PF 5% 50V
C405	1-164-232-11	CERAMIC CHIP	0.01uF 50V
C407	1-124-277-11	ELECT	4.7uF 20% 35V
C408	1-163-022-00	CERAMIC CHIP	0.012uF 10% 50V
C409	1-163-022-00	CERAMIC CHIP	0.012uF 10% 50V
C410	1-164-489-11	CERAMIC CHIP	0.22uF 10% 16V
C411	1-163-024-00	CERAMIC CHIP	0.018uF 10% 50V
C413	1-163-037-11	CERAMIC CHIP	0.022uF 10% 25V
C414	1-124-287-00	ELECT	10uF 20% 10V
C415	1-163-014-00	CERAMIC CHIP	0.0027uF 5% 50V
C416	1-164-005-11	CERAMIC CHIP	0.47uF 25V
C421	1-124-499-11	ELECT, NONPOLAR	1uF 20% 50V
C422	1-164-004-11	CERAMIC CHIP	0.1uF 10% 25V

Ref. No.	Part No.	Description	Remark
C423	1-124-287-00	ELECT	10uF 20% 10V
C424	1-163-809-11	CERAMIC CHIP	0.047uF 10% 25V
C425	1-124-273-00	ELECT	3.3uF 20% 50V
C427	1-163-129-00	CERAMIC CHIP	330PF 5% 50V
C428	1-126-947-11	ELECT	47uF 20% 35V
C429	1-163-115-00	CERAMIC CHIP	82PF 5% 50V
C430	1-126-947-11	ELECT	47uF 20% 35V
C432	1-163-022-00	CERAMIC CHIP	0.012uF 10% 50V
C433	1-163-097-00	CERAMIC CHIP	15PF 5% 50V
C434	1-163-024-00	CERAMIC CHIP	0.018uF 10% 50V
C435	1-163-235-11	CERAMIC CHIP	22PF 5% 50V
C436	1-163-137-00	CERAMIC CHIP	680PF 5% 50V
C437	1-163-235-11	CERAMIC CHIP	22PF 5% 50V
C438	1-163-038-00	CERAMIC CHIP	0.1uF 25V
C439	1-124-126-00	ELECT	47uF 20% 16V
C440	1-124-126-00	ELECT	47uF 20% 16V
C441	1-163-038-00	CERAMIC CHIP	0.1uF 25V
C442	1-164-005-11	CERAMIC CHIP	0.47uF 25V
C443	1-164-005-11	CERAMIC CHIP	0.47uF 25V
C444	1-102-959-00	CERAMIC CHIP	22P 5% 50V
C448	1-164-005-11	CERAMIC CHIP	0.47uF 25V
C449	1-164-005-11	CERAMIC CHIP	0.47uF 25V
C465	1-164-232-11	CERAMIC CHIP	0.01uF 50V
C466	1-164-004-11	CERAMIC CHIP	0.1uF 10% 25V
C467	1-164-232-11	CERAMIC CHIP	0.01uF 50V
C468	1-164-182-11	CERAMIC CHIP	0.0033uF 10% 50V
C469	1-163-088-00	CERAMIC CHIP	5P 25V
C501	1-124-631-11	ELECT	47uF 20% 16V
C502	1-163-251-11	CERAMIC CHIP	100PF 5% 50V
C503	1-124-277-11	ELECT	4.7uF 20% 35V
C504	1-163-245-11	CERAMIC CHIP	56PF 5% 50V
C505	1-164-182-11	CERAMIC CHIP	0.0033uF 10% 50V
C506	1-124-927-11	ELECT	4.7uF 20% 100V
C507	1-126-947-11	ELECT	47uF 20% 35V
C508	1-163-038-00	CERAMIC CHIP	0.1uF 25V
C509	1-126-177-11	ELECT	100uF 20% 10V
C510	1-163-038-00	CERAMIC CHIP	0.1uF 25V
C511	1-163-038-00	CERAMIC CHIP	0.1uF 25V
C512	1-163-038-00	CERAMIC CHIP	0.1uF 25V
C513	1-163-038-00	CERAMIC CHIP	0.1uF 25V
C514	1-163-257-11	CERAMIC CHIP	180PF 5% 50V
C515	1-164-232-11	CERAMIC CHIP	0.01uF 50V
C516	1-163-009-11	CERAMIC CHIP	0.001uF 10% 50V
C517	1-163-038-00	CERAMIC CHIP	0.1uF 25V
C518	1-163-038-00	CERAMIC CHIP	0.1uF 25V
C519	1-163-038-00	CERAMIC CHIP	0.1uF 25V
C520	1-163-038-00	CERAMIC CHIP	0.1uF 25V
C523	1-163-031-11	CERAMIC CHIP	0.01uF 50V
C524	1-163-031-11	CERAMIC CHIP	0.01uF 50V

# MB-702

Ref. No.	Part No.	Description	Remark
C701	1-126-916-11	ELECT	1000uF 20% 6.3V
C702	1-126-916-11	ELECT	1000uF 20% 6.3V
C703	1-163-038-00	CERAMIC CHIP	0.1uF 25V
C704	1-163-037-11	CERAMIC CHIP	0.022uF 10% 25V
C706	1-163-011-11	CERAMIC CHIP	0.0015uF 10% 50V
C707	1-126-948-11	ELECT	100uF 20% 35V
C708	1-163-037-11	CERAMIC CHIP	0.022uF 10% 25V
C709	1-102-074-00	CERAMIC CHIP	0.001uF 5% 50V
C710	1-124-927-11	ELECT	4.7uF 20% 100V
C711	1-126-916-11	ELECT	1000uF 20% 6.3V
C712	1-126-916-11	ELECT	1000uF 20% 6.3V
C718	1-126-948-11	ELECT	100uF 20% 35V
C801	1-102-112-00	CERAMIC CHIP	330PF
C802	1-164-232-11	CERAMIC CHIP	0.01uF 50V
< CONNECTOR >			
CN103	1-506-467-11	PIN, CONNECTOR 2P	
CN104	1-506-467-11	PIN, CONNECTOR 2P	
CN201	1-506-468-11	PIN, CONNECTOR 3P	
CN202	1-506-470-11	PIN, CONNECTOR 5P (A1:PX)	
CN203	1-506-470-11	PIN, CONNECTOR 5P	
CN206	1-506-468-11	PIN, CONNECTOR 3P	
CN401	1-750-687-11	HOUSING, CONNECTOR (PC BOARD)	
CN402	1-750-505-11	CONNECTOR, FPC 18P	
* CN403	1-691-503-11	CONNECTOR, FPC 14P	
CN501	1-506-468-11	PIN, CONNECTOR 3P	
CN502	1-506-469-11	PIN, CONNECTOR 4P	
CN503	1-564-006-71	PIN, CONNECTOR 7P (600/A1:E, Tourist)	
CN504	1-506-473-11	PIN, CONNECTOR 8P	
CN506	1-506-468-11	PIN, CONNECTOR 3P	
CN702	1-506-476-11	PIN, CONNECTOR 11P (600/A1:E, Tourist)	
< TRIMMER >			
CT001	1-141-442-91	TRIMMER, CERAMIC	
< DIODE >			
D002	8-719-988-62	DIODE 1SS355	
D003	8-719-988-62	DIODE 1SS355	
D004	8-719-988-62	DIODE 1SS355	
D201	8-719-032-05	DIODE KV1460TL00	
D202	8-719-400-18	DIODE MA152WK	
D203	8-719-104-34	DIODE 1S2836	
D204	8-719-800-76	DIODE 1SS226 (A1:PX)	
D205	8-719-104-34	DIODE 1S2836	
D206	8-719-104-34	DIODE 1S2836	
D207	8-719-032-05	DIODE KV1460TL00	
D208	8-719-104-34	DIODE 1S2836	
D209	8-719-401-92	DIODE MA3082M	
D210	8-719-104-34	DIODE 1S2836	

Ref. No.	Part No.	Description	Remark
D213	8-719-400-18	DIODE MA152WK	
D401	8-719-800-76	DIODE 1SS226	
D402	8-719-800-76	DIODE 1SS226	
D403	8-719-104-34	DIODE 1S2836 (600/A1:E, Tourist)	
D405	8-719-988-62	DIODE 1SS355	
D501	8-719-104-34	DIODE 1S2836 (600/A1:E, Tourist)	
D502	8-719-402-34	DIODE MA3120	
D503	8-719-104-34	DIODE 1S2836	
D504	8-719-400-75	DIODE MA3091	
D506	8-719-104-34	DIODE 1S2836	
D507	8-719-104-34	DIODE 1S2836	
D510		DIODE	
D703	8-719-210-39	DIODE EC10QS-04	
D704	8-719-210-39	DIODE EC10QS-04	
< FERRITE BEAD >			
FB201	1-216-296-00	METAL CHIP 0	5% 1/8W (600/A1:E, Tourist)
FB202	1-216-296-00	METAL CHIP 0	5% 1/8W (600/A1:E, Tourist)
FB203	1-412-390-21	INDUCTOR CHIP 0uH	
FB204	1-412-390-21	INDUCTOR CHIP 0uH	
FB205	1-412-390-21	INDUCTOR CHIP 0uH	
FB206	1-412-390-21	INDUCTOR CHIP 0uH	
FB207	1-412-390-21	INDUCTOR CHIP 0uH	
FB208	1-412-390-21	INDUCTOR CHIP 0uH	
FB209	1-412-390-21	INDUCTOR CHIP 0uH	
FB211	1-216-296-00	METAL CHIP 0	5% 1/8W
FB212	1-410-370-31	INDUCTOR CHIP 1.2UH	
FB213	1-216-296-00	METAL CHIP 0	5% 1/8W
FB501	1-543-775-11	FILTER, EMI	
FB502	1-543-775-11	FILTER, EMI	
FB503	1-543-775-11	FILTER, EMI	
FB504	1-412-390-21	INDUCTOR CHIP 0uH	
FB505	1-412-390-21	INDUCTOR CHIP 0uH	
FB506	1-412-390-21	INDUCTOR CHIP 0uH	
FB507	1-412-390-21	INDUCTOR CHIP 0uH	
FB508	1-543-775-11	FILTER, EMI	
< FILTER >			
FLO01	1-239-319-11	FILTER, LOW PASS	
FLO02	1-239-513-11	FILTER, BAND PASS	
FLO05	1-239-557-11	LPF (5.5MHZ)	
FLO06	1-236-071-11	ENCAPSULATED COMPONENT	
FLO07	1-577-543-11	FILTER, CERAMIC	
FLO08	1-577-543-11	FILTER, CERAMIC	
FLO09	1-577-543-11	FILTER, CERAMIC	
FLO10	1-236-071-11	ENCAPSULATED COMPONENT	
FLO11	1-236-071-11	ENCAPSULATED COMPONENT	

Ref. No.	Part No.	Description	Remark
FL012	1-236-071-11	ENCAPSULATED COMPONENT	
FL013	1-236-071-11	ENCAPSULATED COMPONENT	
FL014	1-236-071-11	ENCAPSULATED COMPONENT	
FL015	1-236-071-11	ENCAPSULATED COMPONENT	
FL201	1-236-071-11	ENCAPSULATED COMPONENT	
FL202	1-236-071-11	ENCAPSULATED COMPONENT	
FL203	1-236-071-11	ENCAPSULATED COMPONENT	
FL204	1-236-071-11	ENCAPSULATED COMPONENT	
FL205	1-236-071-11	ENCAPSULATED COMPONENT	
FL207	1-236-071-11	ENCAPSULATED COMPONENT	
FL208	1-236-840-11	FILTER, BAND PASS	
FL209	1-236-071-11	ENCAPSULATED COMPONENT	
FL210	1-236-071-11	ENCAPSULATED COMPONENT	
FL213	1-236-744-21	FILTER, EMI	
FL214	1-236-744-21	FILTER, EMI	
FL215	1-236-744-21	FILTER, EMI	
FL216	1-236-744-21	FILTER, EMI	
FL401	1-235-922-11	FILTER, LOW PASS (1.7MHz)	
FL501	1-236-744-21	FILTER, EMI	
< IC >			
IC001	8-759-160-72 IC	CXA8020AQ	
IC003	8-759-063-26 IC	CXD8405Q	
IC004	8-759-098-80 IC	MB90085-123-EF	
IC005	8-759-063-27 IC	CXD8404Q	
IC007	8-759-927-46 IC	SN74HC00ANS	
IC201	8-749-921-12 IC	GP1F32T	
IC202	8-759-924-46 IC	BA4560F	
IC203	8-759-098-82 IC	YM7110	
IC204	8-752-342-65 IC	CXD2560M	
IC205	8-759-924-46 IC	BA4560F	
IC206	8-759-164-56 IC	YSD221-ME2	
IC207	8-759-996-43 IC	RC4558PS	
IC208	8-752-352-93 IC	CXD2500BQ	
IC209	8-759-996-43 IC	RC4558PS	
IC210	8-759-924-46 IC	BA4560F	
IC211	8-759-996-43 IC	RC4558PS	
IC212	8-759-996-43 IC	RC4558PS	
IC213	8-759-996-43 IC	RC4558PS	
IC214	8-752-351-19 IC	CXD2561BM	
IC215	8-759-242-66 IC	TC4W66F	
IC218	8-759-996-43 IC	RC4558PS-T1 (A1:PX)	
IC219	8-759-996-43 IC	RC4558PS-T1 (A1:PX)	
IC220	8-759-604-35 IC	M5F78M05	
IC222	8-759-031-84 IC	SC7S04F	
IC223	8-759-083-94 IC	TC7W74FU	
IC401	8-759-983-74 IC	LM324NS	
IC402	8-752-056-79 IC	CXA1632Q	
IC403	8-759-300-71 IC	HD14053BFP	

Ref. No.	Part No.	Description	Remark
IC404	8-759-300-71 IC	HD14053BFP	
△IC405	8-759-048-30 IC	LA6510L	
IC406	8-759-996-43 IC	RC4558PS	
IC409	8-759-996-43 IC	RC4558PS	
IC410	8-759-242-64 IC	TC4W53F	
IC501	8-759-180-79 IC	MB89094-104	
IC502	8-759-098-78 IC	MB606F06	
IC503	8-759-231-92 IC	TA7291P	
IC504	8-759-983-74 IC	LM324NS	
IC505	8-759-009-06 IC	MC14052BF	
IC506	8-759-300-71 IC	HD14053BFP	
△IC701	8-759-946-09 IC	FA7611M	
< JACK >			
J001	1-750-503-11	CONNECTOR, ROUND TYPE(S VIDEO OUT 1, 2)	
J201	1-565-351-91	JACK, PIN 3P (LINE OUT 1)	
J202	1-565-351-91	JACK, PIN 3P (LINE OUT 2)	
J501	1-507-678-00	JACK (CONTROL S IN)	
< JUMPER RESISTOR >			
JR001	1-216-295-00	METAL CHIP 0 5% 1/10W	
JR003	1-216-295-00	METAL CHIP 0 5% 1/10W	
JR004	1-216-295-00	METAL CHIP 0 5% 1/10W	
JR010	1-216-295-00	METAL CHIP 0 5% 1/10W	
JR011	1-216-295-00	METAL CHIP 0 5% 1/10W	
JR012	1-216-295-00	METAL CHIP 0 5% 1/10W	
JR013	1-216-295-00	METAL CHIP 0 5% 1/10W	
JR014	1-216-295-00	METAL CHIP 0 5% 1/10W	
JR015	1-216-295-00	METAL CHIP 0 5% 1/10W	
JR016	1-216-295-00	METAL CHIP 0 5% 1/10W	
JR017	1-216-295-00	METAL CHIP 0 5% 1/10W	
JR018	1-216-295-00	METAL CHIP 0 5% 1/10W	
JR020	1-216-296-00	METAL CHIP 0 5% 1/8W	
JR021	1-216-296-00	METAL CHIP 0 5% 1/8W	
JR200	1-216-296-00	METAL CHIP 0 5% 1/8W	
JR203	1-216-295-00	METAL CHIP 0 5% 1/10W	
JR207	1-216-295-00	METAL CHIP 0 5% 1/10W	
JR208	1-216-295-00	METAL CHIP 0 5% 1/10W	
JR401	1-216-296-00	METAL CHIP 0 5% 1/8W	
JR502	1-216-295-00	METAL CHIP 0 5% 1/10W	
(A1:E, Tourist)			
< COIL >			
L001	1-414-186-31	INDUCTOR 33uH	
L002	1-414-185-41	INDUCTOR 22uH	
L003	1-414-184-41	INDUCTOR 15uH	
L004	1-408-414-00	INDUCTOR 27uH	
L005	1-414-186-31	INDUCTOR 33uH	
L006	1-414-186-31	INDUCTOR 33uH	

<p>The components identified by mark △ or dotted line with mark. △ are critical for safety. Replace only with part number specified.</p>	<p>Les composants identifiés par une marque △ sont critiques pour la sécurité. Ne les remplacer que par une pièce portant le numéro spécifié.</p>
--	---

**MB-702**

Ref. No.	Part No.	Description	Remark	Ref. No.	Part No.	Description	Remark
L007	1-414-185-41	INDUCTOR 22uH		Q027	8-729-230-49	TRANSISTOR 2SC2712-YG	
L008	1-414-186-31	INDUCTOR 33uH		Q028	8-729-230-49	TRANSISTOR 2SC2712-YG	
L009	1-410-381-11	INDUCTOR CHIP 10uH		Q029	8-729-230-49	TRANSISTOR 2SC2712-YG (A1:PX)	
L011	1-414-186-31	INDUCTOR 33uH		Q030	8-729-230-49	TRANSISTOR 2SC2712-YG	
L013	1-414-186-31	INDUCTOR 33uH		Q031	8-729-230-49	TRANSISTOR 2SC2712-YG	
L018	1-410-391-11	INDUCTOR CHIP 68uH		Q032	8-729-230-49	TRANSISTOR 2SC2712-YG	
L020	1-408-412-00	INDUCTOR 18uH		Q033	8-729-230-49	TRANSISTOR 2SC2712-YG	
L201	1-414-189-31	INDUCTOR 100uH		Q034	8-729-230-49	TRANSISTOR 2SC2712-YG	
L202	1-414-187-11	INDUCTOR 47uH		Q035	8-729-230-49	TRANSISTOR 2SC2712-YG	
L203	1-408-418-00	INDUCTOR 56uH		Q039	8-729-230-49	TRANSISTOR 2SC2712-YG	
L204	1-414-180-11	INDUCTOR 3.3uH		Q040	8-729-230-49	TRANSISTOR 2SC2712-YG	
L401	1-414-183-41	INDUCTOR 10uH		Q041	8-729-230-49	TRANSISTOR 2SC2712-YG	
L402	1-414-183-41	INDUCTOR 10uH		Q042	8-729-230-49	TRANSISTOR 2SC2712-YG	
L403	1-414-183-41	INDUCTOR 10uH		Q201	8-729-230-49	TRANSISTOR 2SC2712-YG	
L404	1-414-183-41	INDUCTOR 10uH		Q202	8-729-230-49	TRANSISTOR 2SC2712-YG	
L501	1-414-183-41	INDUCTOR 10uH		Q203	8-729-230-49	TRANSISTOR 2SC2712-YG	
L502	1-408-765-21	INDUCTOR CHIP 1uH		Q204	8-729-230-49	TRANSISTOR 2SC2712-YG	
L701	1-424-219-21	COIL, CHOKE 300uH		Q205	8-729-207-68	TRANSISTOR RN2402	
L702	1-410-339-11	COIL, CHOKE 10uH		Q206	8-729-230-49	TRANSISTOR 2SC2712-YG	
L703	1-414-183-41	INDUCTOR 10uH		Q207	8-729-202-38	TRANSISTOR 2SC3326N	
L704	1-424-219-11	COIL, CHOKE 300uH		Q208	8-729-202-38	TRANSISTOR 2SC3326N	
L705	1-410-339-11	COIL, CHOKE 10uH		Q209	8-729-202-38	TRANSISTOR 2SC3326N	
		< IC LINK >		Q210	8-729-202-38	TRANSISTOR 2SC3326N	
PS401	1-532-637-21	LINK, IC (600/A1:E, Tourist)		Q211	8-729-202-38	TRANSISTOR 2SC3326N	
		< TRANSISTOR >		Q212	8-729-202-38	TRANSISTOR 2SC3326N	
Q001	8-729-216-22	TRANSISTOR 2SA1162-G		Q213	8-729-202-38	TRANSISTOR 2SC3326N	
Q002	8-729-230-49	TRANSISTOR 2SC2712-YG		Q214	8-729-202-38	TRANSISTOR 2SC3326N	
Q003	8-729-216-22	TRANSISTOR 2SA1162-G		Q215	8-729-207-68	TRANSISTOR RN2402	
Q004	8-729-230-49	TRANSISTOR 2SC2712-YG		Q217	8-729-207-68	TRANSISTOR RN2402	
Q005	8-729-231-07	TRANSISTOR RN1404		Q218	8-729-231-07	TRANSISTOR RN1404	
Q007	8-729-216-22	TRANSISTOR 2SA1162-G		Q219	8-729-207-68	TRANSISTOR RN2402	
Q010	8-729-216-22	TRANSISTOR 2SA1162-G		Q220	8-729-231-07	TRANSISTOR RN1404	
Q011	8-729-230-49	TRANSISTOR 2SC2712-YG		Q221	8-729-231-07	TRANSISTOR RN1404	
Q012	8-729-230-49	TRANSISTOR 2SC2712-YG		Q225	8-729-202-38	TRANSISTOR 2SC3326N	
Q013	8-729-230-49	TRANSISTOR 2SC2712-YG		Q226	8-729-202-38	TRANSISTOR 2SC3326N	
Q014	8-729-216-22	TRANSISTOR 2SA1162-G		Q401	8-729-216-22	TRANSISTOR 2SA1162-G	
Q015	8-729-216-22	TRANSISTOR 2SA1162-G		Q402	8-729-230-49	TRANSISTOR 2SC2712-YG	
Q016	8-729-216-22	TRANSISTOR 2SA1162-G		Q403	8-729-924-90	TRANSISTOR 2SB1370-EF	
Q017	8-729-230-49	TRANSISTOR 2SC2712-YG		Q404	8-729-209-15	TRANSISTOR 2SD2012	
Q018	8-729-216-22	TRANSISTOR 2SA1162-G		Q405	8-729-209-15	TRANSISTOR 2SD2012	
Q019	8-729-230-49	TRANSISTOR 2SC2712-YG		Q406	8-729-924-90	TRANSISTOR 2SB1370-EF	
Q020	8-729-230-49	TRANSISTOR 2SC2712-YG		Q407	8-729-216-22	TRANSISTOR 2SA1162-G	
Q023	8-729-216-22	TRANSISTOR 2SA1162-G		Q408	8-729-232-72	TRANSISTOR RN2404	
Q024	8-729-216-22	TRANSISTOR 2SA1162-G		Q409	8-729-230-49	TRANSISTOR 2SC2712-YG	
Q025	8-729-216-22	TRANSISTOR 2SA1162-G		Q410	8-729-230-49	TRANSISTOR 2SC2712-YG	
Q026	8-729-216-22	TRANSISTOR 2SA1162-G		Q411	8-729-230-49	TRANSISTOR 2SC2712-YG	
				Q501	8-729-216-22	TRANSISTOR 2SA1162-G	
				Q502	8-729-017-14	TRANSISTOR RN2403	
				Q503	8-729-017-14	TRANSISTOR RN2403	

Ref. No.	Part No.	Description	Remark
Q504	8-729-017-14	TRANSISTOR RN2403	
Q505	8-729-230-49	TRANSISTOR 2SC2712-YG	
<u>△</u> Q701	8-729-019-29	TRANSISTOR 2SB1009R	
<u>△</u> Q702	8-729-019-29	TRANSISTOR 2SB1009R	
< RESISTOR >			
R001	1-216-081-00	METAL CHIP 22K 5%	1/10W
R002	1-216-051-00	METAL CHIP 1.2K 5%	1/10W
R003	1-216-047-00	METAL CHIP 820 5%	1/10W
R004	1-216-043-00	METAL CHIP 560 5%	1/10W
R005	1-216-073-00	METAL CHIP 10K 5%	1/10W
R006	1-216-051-00	METAL CHIP 1.2K 5%	1/10W
R007	1-216-049-00	METAL CHIP 1K 5%	1/10W
R008	1-216-035-00	METAL CHIP 270 5%	1/10W
R009	1-216-063-00	METAL CHIP 3.9K 5%	1/10W
R010	1-216-061-00	METAL CHIP 3.3K 5%	1/10W
R011	1-216-064-00	METAL CHIP 4.3K 5%	1/10W
R012	1-216-045-00	METAL CHIP 680 5%	1/10W
R013	1-216-053-00	METAL CHIP 1.5K 5%	1/10W
R014	1-216-295-00	METAL CHIP 0 5%	1/10W
R015	1-216-041-00	METAL CHIP 470 5%	1/10W
R016	1-216-067-00	METAL CHIP 5.6K 5%	1/10W
R017	1-216-081-00	METAL CHIP 22K 5%	1/10W
R018	1-216-062-00	METAL CHIP 3.6K 5%	1/10W
R019	1-216-081-00	METAL CHIP 22K 5%	1/10W
R020	1-216-037-00	METAL CHIP 330 5%	1/10W
R021	1-216-049-00	METAL CHIP 1K 5%	1/10W
R022	1-216-053-00	METAL CHIP 1.5K 5%	1/10W
R023	1-216-057-00	METAL CHIP 2.2K 5%	1/10W
R024	1-216-073-00	METAL CHIP 10K 5%	1/10W
R025	1-216-073-00	METAL CHIP 10K 5%	1/10W
R026	1-216-295-00	METAL CHIP 0 5%	1/10W
R027	1-216-081-00	METAL CHIP 22K 5%	1/10W
R028	1-216-061-00	METAL CHIP 3.3K 5%	1/10W
R029	1-216-085-00	METAL CHIP 33K 5%	1/10W
R030	1-216-057-00	METAL CHIP 2.2K 5%	1/10W
R031	1-216-689-11	METAL CHIP 39K 0.5%	1/10W
R033	1-216-079-00	METAL CHIP 18K 5%	1/10W
R034	1-216-071-00	METAL CHIP 8.2K 5%	1/10W
R035	1-216-075-00	METAL CHIP 12K 5%	1/10W
R036	1-216-061-00	METAL CHIP 3.3K 5%	1/10W
R037	1-216-053-00	METAL CHIP 1.5K 5%	1/10W
R039	1-216-051-00	METAL CHIP 1.2K 5%	1/10W
R040	1-216-053-00	METAL CHIP 1.5K 5%	1/10W
R041	1-216-049-00	METAL CHIP 1K 5%	1/10W
R042	1-216-049-00	METAL CHIP 1K 5%	1/10W
R043	1-216-075-00	METAL CHIP 12K 5%	1/10W
R044	1-216-049-00	METAL CHIP 1K 5%	1/10W
R045	1-216-041-00	METAL CHIP 470 5%	1/10W

Ref. No.	Part No.	Description	Remark
R046	1-216-049-00	METAL CHIP 1K 5%	1/10W
R047	1-216-071-00	METAL CHIP 8.2K 5%	1/10W
R048	1-216-045-00	METAL CHIP 680 5%	1/10W
R049	1-216-045-00	METAL CHIP 680 5%	1/10W
R050	1-216-049-00	METAL CHIP 1K 5%	1/10W
R051	1-216-061-00	METAL CHIP 3.3K 5%	1/10W
R052	1-216-059-00	METAL CHIP 2.7K 5%	1/10W
R053	1-216-055-00	METAL CHIP 1.8K 5%	1/10W
R054	1-216-059-00	METAL CHIP 2.7K 5%	1/10W
R055	1-216-049-00	METAL CHIP 1K 5%	1/10W
R056	1-216-073-00	METAL CHIP 10K 5%	1/10W
R057	1-216-025-00	METAL CHIP 100 5%	1/10W
R058	1-216-051-00	METAL CHIP 1.2K 5%	1/10W
R059	1-216-053-00	METAL CHIP 1.5K 5%	1/10W
R060	1-216-041-00	METAL CHIP 470 5%	1/10W
R061	1-216-049-00	METAL CHIP 1K 5%	1/10W
R062	1-216-049-00	METAL CHIP 1K 5%	1/10W
R063	1-216-031-00	METAL CHIP 180 5%	1/10W
R064	1-216-049-00	METAL CHIP 1K 5%	1/10W
R065	1-216-031-00	METAL CHIP 180 5%	1/10W
R066	1-216-674-11	METAL CHIP 9.1K 0.5%	1/10W
R067	1-216-049-00	METAL CHIP 1K 5%	1/10W
R068	1-216-065-00	METAL CHIP 4.7K 5%	1/10W
R069	1-216-033-00	METAL CHIP 220 5%	1/10W
R070	1-216-037-00	METAL CHIP 330 5%	1/10W
R071	1-216-693-11	METAL CHIP 56K 0.5%	1/10W
R072	1-216-295-00	METAL CHIP 0 5%	1/10W
R073	1-216-093-00	METAL CHIP 68K 5%	1/10W
R074	1-216-037-00	METAL CHIP 330 5%	1/10W
R075	1-216-041-00	METAL CHIP 470 5%	1/10W
R076	1-216-057-00	METAL CHIP 2.2K 5%	1/10W
R077	1-216-041-00	METAL CHIP 470 5%	1/10W
R078	1-216-041-00	METAL CHIP 470 5%	1/10W
R079	1-216-051-00	METAL CHIP 1.2K 5%	1/10W
R080	1-216-046-00	METAL CHIP 750 5%	1/10W
R081	1-216-041-00	METAL CHIP 470 5%	1/10W
R082	1-216-047-00	METAL CHIP 820 5%	1/10W
R083	1-216-041-00	METAL CHIP 470 5%	1/10W
R084	1-216-041-00	METAL CHIP 470 5%	1/10W
R085	1-216-041-00	METAL CHIP 470 5%	1/10W
R087	1-216-041-00	METAL CHIP 470 5%	1/10W
R088	1-216-073-00	METAL CHIP 10K 5%	1/10W
R089	1-216-095-00	METAL CHIP 82K 5%	1/10W
R090	1-216-061-00	METAL CHIP 3.3K 5%	1/10W
R091	1-216-295-00	METAL CHIP 0 5%	1/10W
R093	1-216-119-00	METAL CHIP 820K 5%	1/10W
R095	1-216-041-00	METAL CHIP 470 5%	1/10W
R096	1-216-057-00	METAL CHIP 2.2K 5%	1/10W

<p>The components identified by mark <u>△</u> or dotted line with mark <u>△</u> are critical for safety. Replace only with part number specified.</p>	<p>Les composants identifiés par une marque <u>△</u> sont critiques pour la sécurité. Ne les remplacer que par une pièce portant le numéro spécifié.</p>
---	--



**MB-702**

Ref. No.	Part No.	Description	Quantity	Unit	Remark
R097	1-216-081-00	METAL CHIP	22K	5%	1/10W
R098	1-216-095-00	METAL CHIP	82K	5%	1/10W
R100	1-216-039-00	METAL CHIP	390	5%	1/10W
R101	1-216-041-00	METAL CHIP	470	5%	1/10W
R102	1-216-041-00	METAL CHIP	470	5%	1/10W
R103	1-216-041-00	METAL CHIP	470	5%	1/10W
R104	1-216-041-00	METAL CHIP	470	5%	1/10W
R105	1-216-041-00	METAL CHIP	470	5%	1/10W
R106	1-216-041-00	METAL CHIP	470	5%	1/10W
R107	1-216-047-00	METAL CHIP	820	5%	1/10W
R108	1-216-041-00	METAL CHIP	470	5%	1/10W
R109	1-216-041-00	METAL CHIP	470	5%	1/10W
R110	1-216-295-00	METAL CHIP	0	5%	1/10W
R111	1-216-295-00	METAL CHIP	0	5%	1/10W
R112	1-216-037-00	METAL CHIP	330	5%	1/10W
R113	1-216-065-00	METAL CHIP	4.7K	5%	1/10W
R114	1-216-049-00	METAL CHIP	1K	5%	1/10W
R115	1-216-121-00	METAL CHIP	1M	5%	1/10W
R116	1-216-065-00	METAL CHIP	4.7K	5%	1/10W
R117	1-216-049-00	METAL CHIP	1K	5%	1/10W
R118	1-216-091-00	METAL CHIP	56K	5%	1/10W
R119	1-216-037-00	METAL CHIP	330	5%	1/10W
R120	1-216-031-00	METAL CHIP	180	5%	1/10W
R121	1-216-081-00	METAL CHIP	22K	5%	1/10W
R122	1-216-081-00	METAL CHIP	22K	5%	1/10W
R123	1-216-031-00	METAL CHIP	180	5%	1/10W
R124	1-216-031-00	METAL CHIP	180	5%	1/10W
R125	1-216-081-00	METAL CHIP	22K	5%	1/10W
R126	1-216-049-00	METAL CHIP	1K	5%	1/10W
R127	1-216-059-00	METAL CHIP	2.7K	5%	1/10W
R128	1-216-037-00	METAL CHIP	330	5%	1/10W
R129	1-216-043-00	METAL CHIP	560	5%	1/10W
R130	1-216-059-00	METAL CHIP	2.7K	5%	1/10W
R132	1-216-059-00	METAL CHIP	2.7K	5%	1/10W
R133	1-216-049-00	METAL CHIP	1K	5%	1/10W
R134	1-216-043-00	METAL CHIP	560	5%	1/10W
R135	1-216-065-00	METAL CHIP	4.7K	5%	1/10W
R136	1-216-041-00	METAL CHIP	470	5%	1/10W
R137	1-216-043-00	METAL CHIP	560	5%	1/10W (A1:PX)
R138	1-216-065-00	METAL CHIP	4.7K	5%	1/10W
R139	1-216-041-00	METAL CHIP	470	5%	1/10W
R140	1-216-029-00	METAL CHIP	150	5%	1/10W
R141	1-216-041-00	METAL CHIP	470	5%	1/10W
R143	1-216-043-00	METAL CHIP	560	5%	1/10W (A1:PX)
R145	1-216-025-00	METAL CHIP	100	5%	1/10W
R147	1-216-021-00	METAL CHIP	68	5%	1/10W
R148	1-216-021-00	METAL CHIP	68	5%	1/10W
R149	1-216-041-00	METAL CHIP	470	5%	1/10W
R150	1-216-049-00	METAL CHIP	1K	5%	1/10W

Ref. No.	Part No.	Description	Quantity	Unit	Remark
R151	1-216-041-00	METAL CHIP	470	5%	1/10W
R152	1-216-041-00	METAL CHIP	470	5%	1/10W
R153	1-216-049-00	METAL CHIP	1K	5%	1/10W
R154	1-216-041-00	METAL CHIP	470	5%	1/10W
R155	1-216-021-00	METAL CHIP	68	5%	1/10W
R156	1-216-021-00	METAL CHIP	68	5%	1/10W
R157	1-216-041-00	METAL CHIP	470	5%	1/10W
R158	1-216-021-00	METAL CHIP	68	5%	1/10W
R159	1-216-049-00	METAL CHIP	1K	5%	1/10W
R161	1-216-021-00	METAL CHIP	68	5%	1/10W
R162	1-216-021-00	METAL CHIP	68	5%	1/10W (A1:PX)
R163	1-216-049-00	METAL CHIP	1K	5%	1/10W
R164	1-216-021-00	METAL CHIP	68	5%	1/10W
R165	1-216-041-00	METAL CHIP	470	5%	1/10W
R166	1-216-041-00	METAL CHIP	470	5%	1/10W
R167	1-216-021-00	METAL CHIP	68	5%	1/10W
R168	1-216-021-00	METAL CHIP	68	5%	1/10W
R169	1-216-049-00	METAL CHIP	1K	5%	1/10W
R170	1-216-049-00	METAL CHIP	1K	5%	1/10W
R171	1-216-021-00	METAL CHIP	68	5%	1/10W
R176	1-216-041-00	METAL CHIP	470	5%	1/10W
R184	1-216-071-00	METAL CHIP	8.2K	5%	1/10W
R186	1-216-057-00	METAL CHIP	2.2K	5%	1/10W
R187	1-216-057-00	METAL CHIP	2.2K	5%	1/10W
R188	1-216-073-00	METAL CHIP	10K	5%	1/10W
R189	1-216-073-00	METAL CHIP	10K	5%	1/10W
R190	1-216-073-00	METAL CHIP	10K	5%	1/10W
R191	1-216-057-00	METAL CHIP	2.2K	5%	1/10W
R192	1-216-081-00	METAL CHIP	22K	5%	1/10W
R194	1-216-295-00	METAL CHIP	0	5%	1/10W
R195	1-216-041-00	METAL CHIP	470	5%	1/10W
R196	1-216-071-00	METAL CHIP	8.2K	5%	1/10W
R197	1-216-049-00	METAL CHIP	1K	5%	1/10W
R198	1-216-057-00	METAL CHIP	2.2K	5%	1/10W
R201	1-216-105-00	METAL CHIP	220K	5%	1/10W
R202	1-216-097-00	METAL CHIP	100K	5%	1/10W
R203	1-216-105-00	METAL CHIP	220K	5%	1/10W
R204	1-216-097-00	METAL CHIP	100K	5%	1/10W
R205	1-216-097-00	METAL CHIP	100K	5%	1/10W
R206	1-216-073-00	METAL CHIP	10K	5%	1/10W
R207	1-216-073-00	METAL CHIP	10K	5%	1/10W
R208	1-216-061-00	METAL CHIP	3.3K	5%	1/10W
R209	1-216-073-00	METAL CHIP	10K	5%	1/10W
R210	1-216-061-00	METAL CHIP	3.3K	5%	1/10W
R211	1-216-074-00	METAL CHIP	11K	5%	1/10W
R212	1-216-097-00	METAL CHIP	100K	5%	1/10W
R213	1-216-121-00	METAL CHIP	1M	5%	1/10W
R214	1-216-049-00	METAL CHIP	1K	5%	1/10W
R215	1-216-049-00	METAL CHIP	1K	5%	1/10W

Ref. No.	Part No.	Description	Remark		
R216	1-216-061-00	METAL CHIP	3.3K	5%	1/10W
R217	1-216-053-00	METAL CHIP	1.5K	5%	1/10W
R218	1-216-047-00	METAL CHIP	820	5%	1/10W
R219	1-216-049-00	METAL CHIP	1K	5%	1/10W
R220	1-216-013-00	METAL CHIP	33	5%	1/10W
R221	1-216-013-00	METAL CHIP	33	5%	1/10W
R222	1-216-047-00	METAL CHIP	820	5%	1/10W
R223	1-216-049-00	METAL CHIP	1K	5%	1/10W
R224	1-216-061-00	METAL CHIP	3.3K	5%	1/10W
R225	1-216-053-00	METAL CHIP	1.5K	5%	1/10W
R226	1-216-057-00	METAL CHIP	2.2K	5%	1/10W
R227	1-216-017-00	METAL CHIP	47	5%	1/10W
R228	1-216-059-00	METAL CHIP	2.7K	5%	1/10W
R229	1-216-021-00	METAL CHIP	68	5%	1/10W
R230	1-216-041-00	METAL CHIP	470	5%	1/10W
R231	1-216-069-00	METAL CHIP	6.8K	5%	1/10W
R232	1-216-051-00	METAL CHIP	1.2K	5%	1/10W
R233	1-216-049-00	METAL CHIP	1K	5%	1/10W
R235	1-216-049-00	METAL CHIP	1K	5%	1/10W
R236	1-216-041-00	METAL CHIP	470	5%	1/10W
R237	1-216-073-00	METAL CHIP	10K	5%	1/10W
R238	1-216-065-00	METAL CHIP	4.7K	5%	1/10W
R239	1-216-033-00	METAL CHIP	220	5%	1/10W
R240	1-216-025-00	METAL CHIP	100	5%	1/10W
R241	1-216-025-00	METAL CHIP	100	5%	1/10W
R242	1-216-295-00	METAL CHIP	0	5%	1/10W
R243	1-216-037-00	METAL CHIP	330	5%	1/10W
R244	1-216-037-00	METAL CHIP	330	5%	1/10W
R245	1-216-037-00	METAL CHIP	330	5%	1/10W
R246	1-216-037-00	METAL CHIP	330	5%	1/10W
R247	1-216-049-00	METAL CHIP	1K	5%	1/10W
R248	1-216-073-00	METAL CHIP	10K	5%	1/10W
R249	1-216-689-11	METAL CHIP	39K	0.5%	1/10W
R250	1-216-065-00	METAL CHIP	4.7K	5%	1/10W
R251	1-216-073-00	METAL CHIP	10K	5%	1/10W
R252	1-216-085-00	METAL CHIP	33K	5%	1/10W
R253	1-216-085-00	METAL CHIP	33K	5%	1/10W
R254	1-216-057-00	METAL CHIP	2.2K	5%	1/10W
R255	1-216-095-00	METAL CHIP	82K	5%	1/10W
R256	1-216-121-00	METAL CHIP	1M	5%	1/10W
R257	1-216-097-00	METAL CHIP	100K	5%	1/10W
R258	1-216-049-00	METAL CHIP	1K	5%	1/10W
R259	1-216-097-00	METAL CHIP	100K	5%	1/10W
R260	1-216-049-00	METAL CHIP	1K	5%	1/10W
R261	1-216-073-00	METAL CHIP	10K	5%	1/10W
R262	1-216-097-00	METAL CHIP	100K	5%	1/10W
R263	1-216-049-00	METAL CHIP	1K	5%	1/10W
R264	1-216-037-00	METAL CHIP	330	5%	1/10W
R265	1-216-037-00	METAL CHIP	330	5%	1/10W

Ref. No.	Part No.	Description	Remark		
R266	1-216-037-00	METAL CHIP	330	5%	1/10W
R267	1-216-029-00	METAL CHIP	150	5%	1/10W
R268	1-216-049-00	METAL CHIP	1K	5%	1/10W
R269	1-216-689-11	METAL CHIP	39K	0.5%	1/10W
R270	1-216-067-00	METAL CHIP	5.6K	5%	1/10W
R271	1-216-689-11	METAL CHIP	39K	0.5%	1/10W
R272	1-216-077-00	METAL CHIP	15K	5%	1/10W
R273	1-216-077-00	METAL CHIP	15K	5%	1/10W
R274	1-216-689-11	METAL CHIP	39K	0.5%	1/10W
R275	1-216-067-00	METAL CHIP	5.6K	5%	1/10W
R276	1-216-689-11	METAL CHIP	39K	0.5%	1/10W
R277	1-216-091-00	METAL CHIP	56K	5%	1/10W
R278	1-216-091-00	METAL CHIP	56K	5%	1/10W
R279	1-216-689-11	METAL CHIP	39K	0.5%	1/10W
R280	1-216-067-00	METAL CHIP	5.6K	5%	1/10W
R281	1-216-689-11	METAL CHIP	39K	0.5%	1/10W
R282	1-216-077-00	METAL CHIP	15K	5%	1/10W
R283	1-216-077-00	METAL CHIP	15K	5%	1/10W
R284	1-216-689-11	METAL CHIP	39K	0.5%	1/10W
R285	1-216-067-00	METAL CHIP	5.6K	5%	1/10W
R286	1-216-689-11	METAL CHIP	39K	0.5%	1/10W
R287	1-216-091-00	METAL CHIP	56K	5%	1/10W
R288	1-216-091-00	METAL CHIP	56K	5%	1/10W
R289	1-216-053-00	METAL CHIP	1.5K	5%	1/10W
R290	1-216-053-00	METAL CHIP	1.5K	5%	1/10W
R291	1-216-053-00	METAL CHIP	1.5K	5%	1/10W
R292	1-216-053-00	METAL CHIP	1.5K	5%	1/10W
R293	1-216-105-00	METAL CHIP	220K	5%	1/10W
R294	1-216-049-00	METAL CHIP	1K	5%	1/10W
R295	1-216-049-00	METAL CHIP	1K	5%	1/10W
R296	1-216-105-00	METAL CHIP	220K	5%	1/10W
R297	1-216-049-00	METAL CHIP	1K	5%	1/10W
R298	1-216-049-00	METAL CHIP	1K	5%	1/10W
R299	1-216-047-00	METAL CHIP	820	5%	1/10W
R300	1-216-033-00	METAL CHIP	220	5%	1/10W
R301	1-216-073-00	METAL CHIP	10K	5%	1/10W
R302	1-216-105-00	METAL CHIP	220K	5%	1/10W
R303	1-216-073-00	METAL CHIP	10K	5%	1/10W
R304	1-216-105-00	METAL CHIP	220K	5%	1/10W
R305	1-216-047-00	METAL CHIP	820	5%	1/10W
R306	1-216-033-00	METAL CHIP	220	5%	1/10W
R307	1-216-049-00	METAL CHIP	1K	5%	1/10W
R308	1-216-049-00	METAL CHIP	1K	5%	1/10W
R309	1-216-047-00	METAL CHIP	820	5%	1/10W
R310	1-216-033-00	METAL CHIP	220	5%	1/10W
R311	1-216-073-00	METAL CHIP	10K	5%	1/10W
R312	1-216-105-00	METAL CHIP	220K	5%	1/10W
R313	1-216-073-00	METAL CHIP	10K	5%	1/10W

**MB-702**

Ref. No.	Part No.	Description	Remark		
R314	1-216-105-00	METAL CHIP	220K	5%	1/10W
R315	1-216-047-00	METAL CHIP	820	5%	1/10W
R316	1-216-033-00	METAL CHIP	220	5%	1/10W
R317	1-216-049-00	METAL CHIP	1K	5%	1/10W
R318	1-216-073-00	METAL CHIP	10K	5%	1/10W
R319	1-216-073-00	METAL CHIP	10K	5%	1/10W
R320	1-216-049-00	METAL CHIP	1K	5%	1/10W
R321	1-216-053-00	METAL CHIP	1.5K	5%	1/10W
R322	1-216-049-00	METAL CHIP	1K	5%	1/10W
R323	1-216-105-00	METAL CHIP	220K	5%	1/10W
R324	1-216-053-00	METAL CHIP	1.5K	5%	1/10W
R325	1-216-033-00	METAL CHIP	220	5%	1/10W
R326	1-216-295-00	METAL CHIP	0	5%	1/10W
R327	1-216-296-00	METAL CHIP	0	5%	1/8W
R328	1-216-296-00	METAL CHIP	0	5%	1/8W
R329	1-216-073-00	METAL CHIP	10K	5%	1/10W
R330	1-216-049-00	METAL CHIP	1K	5%	1/10W
R331	1-216-043-00	METAL CHIP	560	5%	1/10W
R332	1-216-049-00	METAL CHIP	1K	5%	1/10W
R333	1-216-049-00	METAL CHIP	1K	5%	1/10W
R334	1-216-049-00	METAL CHIP	1K	5%	1/10W
R335	1-216-073-00	METAL CHIP	10K	5%	1/10W
R336	1-216-045-00	METAL CHIP	680	5%	1/10W
R337	1-216-049-00	METAL CHIP	1K	5%	1/10W
R338	1-216-043-00	METAL CHIP	560	5%	1/10W
R339	1-216-049-00	METAL CHIP	1K	5%	1/10W
R340	1-216-049-00	METAL CHIP	1K	5%	1/10W
R341	1-216-049-00	METAL CHIP	1K	5%	1/10W
R342	1-216-073-00	METAL CHIP	10K	5%	1/10W
R343	1-216-045-00	METAL CHIP	680	5%	1/10W
R344	1-216-105-00	METAL CHIP	220K	5%	1/10W
R345	1-216-097-00	METAL CHIP	100K	5%	1/10W
R346	1-216-689-11	METAL CHIP	39K	0.5%	1/10W
R355	1-216-689-11	METAL CHIP	39K	0.5%	1/10W
R357	1-216-295-00	METAL CHIP	0	5%	1/10W
R358	1-216-295-00	METAL CHIP	0	5%	1/10W
R360	1-216-049-00	METAL CHIP	1K	5%	1/10W (A1:PX)
R361	1-216-049-00	METAL CHIP	1K	5%	1/10W (A1:PX)
R362	1-216-089-00	METAL CHIP	47K	5%	1/10W (A1:PX)
R363	1-216-089-00	METAL CHIP	47K	5%	1/10W (A1:PX)
R364	1-216-077-00	METAL CHIP	15K	5%	1/10W (A1:PX)
R365	1-216-069-00	METAL CHIP	6.8K	5%	1/10W (A1:PX)
R366	1-216-073-00	METAL CHIP	10K	5%	1/10W (A1:PX)
R367	1-216-069-00	METAL CHIP	6.8K	5%	1/10W (A1:PX)
R368	1-216-065-00	METAL CHIP	4.7K	5%	1/10W (A1:PX)
R369	1-216-025-00	METAL CHIP	100	5%	1/10W
R375	1-216-025-00	METAL CHIP	100	5%	1/10W
R376	1-216-025-00	METAL CHIP	100	5%	1/10W
R378	1-216-689-11	METAL CHIP	39K	0.5%	1/10W

Ref. No.	Part No.	Description	Remark		
R379	1-216-077-00	METAL CHIP	15K	5%	1/10W
R380	1-216-073-00	METAL CHIP	10K	5%	1/10W
R381	1-216-089-00	METAL CHIP	47K	5%	1/10W
R384	1-216-073-00	METAL CHIP	10K	5%	1/10W
R385	1-216-073-00	METAL CHIP	10K	5%	1/10W
R401	1-216-057-00	METAL CHIP	2.2K	5%	1/10W
R402	1-216-045-00	METAL CHIP	680	5%	1/10W
R403	1-216-045-00	METAL CHIP	680	5%	1/10W
R404	1-216-107-00	METAL CHIP	270K	5%	1/10W
R406	1-216-094-00	METAL GLAZE	75K	5%	1/10W (600/A1:E, Tourist)
R407	1-216-079-00	METAL CHIP	18K	5%	1/10W (A1:PX)
R408	1-216-083-00	METAL CHIP	27K	5%	1/10W
R409	1-216-049-00	METAL CHIP	1K	5%	1/10W
R410	1-216-101-00	METAL CHIP	150K	5%	1/10W
R411	1-216-077-00	METAL CHIP	15K	5%	1/10W
R412	1-216-101-00	METAL CHIP	150K	5%	1/10W
R413	1-216-057-00	METAL CHIP	2.2K	5%	1/10W
R414	1-216-075-00	METAL CHIP	12K	5%	1/10W
R415	1-216-083-00	METAL CHIP	27K	5%	1/10W
R416	1-216-103-00	METAL CHIP	180K	5%	1/10W
R417	1-216-097-00	METAL CHIP	100K	5%	1/10W
R418	1-216-091-00	METAL CHIP	56K	5%	1/10W
R419	1-216-089-00	METAL CHIP	47K	5%	1/10W
R420	1-216-085-00	METAL CHIP	33K	5%	1/10W
R421	1-216-085-00	METAL CHIP	33K	5%	1/10W
R425	1-216-093-00	METAL CHIP	68K	5%	1/10W
R429	1-216-093-00	METAL CHIP	68K	5%	1/10W
R431	1-216-069-00	METAL CHIP	6.8K	5%	1/10W
R432	1-216-082-00	METAL GLAZE	24K	5%	1/10W
R433	1-216-100-00	METAL GLAZE	130K	5%	1/10W
R434	1-216-097-00	METAL CHIP	100K	5%	1/10W
R435	1-216-073-00	METAL CHIP	10K	5%	1/10W
R436	1-216-067-00	METAL CHIP	5.6K	5%	1/10W
R437	1-216-077-00	METAL CHIP	15K	5%	1/10W
R438	1-216-085-00	METAL CHIP	33K	5%	1/10W
R439	1-216-053-00	METAL CHIP	1.5K	5%	1/10W
R440	1-216-049-00	METAL CHIP	1K	5%	1/10W
R441	1-216-069-00	METAL CHIP	6.8K	5%	1/10W
R442	1-216-069-00	METAL CHIP	6.8K	5%	1/10W
R443	1-216-085-00	METAL CHIP	33K	5%	1/10W
R444	1-216-033-00	METAL CHIP	220	5%	1/10W
R445	1-216-689-11	METAL CHIP	39K	0.5%	1/10W
R446	1-216-081-00	METAL CHIP	22K	5%	1/10W
R447	1-216-081-00	METAL CHIP	22K	5%	1/10W
R448	1-216-093-00	METAL CHIP	68K	5%	1/10W
R449	1-216-113-00	METAL CHIP	470K	5%	1/10W
R450	1-216-073-00	METAL CHIP	10K	5%	1/10W
R451	1-216-089-00	METAL CHIP	47K	5%	1/10W
R452	1-216-073-00	METAL CHIP	10K	5%	1/10W

Ref. No.	Part No.	Description	Remark	Ref. No.	Part No.	Description	Remark
R453	1-216-085-00	METAL CHIP	33K 5% 1/10W	R514	1-216-679-11	METAL CHIP	15K 0.5% 1/10W
R454	1-216-089-00	METAL CHIP	47K 5% 1/10W	R515	1-216-687-11	METAL CHIP	33K 0.5% 1/10W
R455	1-216-097-00	METAL CHIP	100K 5% 1/10W	R516	1-216-085-00	METAL CHIP	33K 5% 1/10W
R456	1-216-689-11	METAL CHIP	39K 0.5% 1/10W	R517	1-216-105-00	METAL CHIP	220K 5% 1/10W
R457	1-216-073-00	METAL CHIP	10K 5% 1/10W	R519	1-216-115-00	METAL CHIP	560K 5% 1/10W
R458	1-216-073-00	METAL CHIP	10K 5% 1/10W	R520	1-216-073-00	METAL CHIP	10K 5% 1/10W
R459	1-216-049-00	METAL CHIP	1K 5% 1/10W	R521	1-216-045-00	METAL CHIP	680 5% 1/10W
R460	1-216-075-00	METAL CHIP	12K 5% 1/10W	R522	1-216-105-00	METAL CHIP	220K 5% 1/10W
R461	1-216-089-00	METAL CHIP	47K 5% 1/10W	R523	1-216-033-00	METAL CHIP	220 5% 1/10W
R462	1-216-085-00	METAL CHIP	33K 5% 1/10W	R524	1-216-089-00	METAL CHIP	47K 5% 1/10W
R463	1-216-077-00	METAL CHIP	15K 5% 1/10W	R525	1-216-073-00	METAL CHIP	10K 5% 1/10W
R464	1-216-069-00	METAL CHIP	6.8K 5% 1/10W	R526	1-216-065-00	METAL CHIP	4.7K 5% 1/10W
R465	1-216-069-00	METAL CHIP	6.8K 5% 1/10W	R527	1-216-065-00	METAL CHIP	4.7K 5% 1/10W
R466	1-216-081-00	METAL CHIP	22K 5% 1/10W	R528	1-216-065-00	METAL CHIP	4.7K 5% 1/10W
R467	1-216-089-00	METAL CHIP	47K 5% 1/10W	R529	1-216-065-00	METAL CHIP	4.7K 5% 1/10W
R468	1-216-081-00	METAL CHIP	22K 5% 1/10W	R530	1-216-057-00	METAL CHIP	2.2K 5% 1/10W
R469	1-216-073-00	METAL CHIP	10K 5% 1/10W	R531	1-216-057-00	METAL CHIP	2.2K 5% 1/10W
R470	1-216-113-00	METAL CHIP	470K 5% 1/10W	R532	1-216-057-00	METAL CHIP	2.2K 5% 1/10W
R472	1-216-017-00	METAL CHIP	47 5% 1/10W	△R533	1-212-950-00	FUSIBLE	4.7 5% 1/2W F
R473	1-216-051-00	METAL CHIP	1.2K 5% 1/10W	R534	1-216-105-00	METAL CHIP	220K 5% 1/10W
R474	1-216-017-00	METAL CHIP	47 5% 1/10W	R535	1-216-093-00	METAL CHIP	68K 5% 1/10W
R475	1-216-051-00	METAL CHIP	1.2K 5% 1/10W	R536	1-216-095-00	METAL CHIP	82K 5% 1/10W
R476	1-219-113-11	FUSIBLE	6.8 5% 1/4W F	R537	1-216-065-00	METAL CHIP	4.7K 5% 1/10W
R477	1-216-081-00	METAL CHIP	22K 5% 1/10W	R538	1-216-065-00	METAL CHIP	4.7K 5% 1/10W
R478	1-216-097-00	METAL CHIP	100K 5% 1/10W	R539	1-216-065-00	METAL CHIP	4.7K 5% 1/10W
R479	1-216-089-00	METAL CHIP	47K 5% 1/10W	R540	1-216-065-00	METAL CHIP	4.7K 5% 1/10W
R480	1-216-097-00	METAL CHIP	100K 5% 1/10W	R541	1-216-065-00	METAL CHIP	4.7K 5% 1/10W
R481	1-216-373-11	METAL OXIDE	2.2 5% 2W F	R542	1-216-065-00	METAL CHIP	4.7K 5% 1/10W
R482	1-216-053-00	METAL CHIP	1.5K 5% 1/10W	R543	1-216-049-00	METAL CHIP	1K 5% 1/10W
R483	1-216-053-00	METAL CHIP	1.5K 5% 1/10W	R544	1-216-049-00	METAL CHIP	1K 5% 1/10W
R494	1-216-079-00	METAL CHIP	18K 5% 1/10W	R545	1-216-049-00	METAL CHIP	1K 5% 1/10W (A1:PX)
R495	1-216-079-00	METAL CHIP	18K 5% 1/10W	R546	1-216-049-00	METAL CHIP	1K 5% 1/10W
R496	1-216-099-00	METAL CHIP	120K 5% 1/10W	R547	1-216-049-00	METAL CHIP	1K 5% 1/10W
R497	1-216-099-00	METAL CHIP	120K 5% 1/10W	R548	1-216-073-00	METAL CHIP	10K 5% 1/10W
R498	1-216-077-00	METAL CHIP	15K 5% 1/10W (A1:PX)	R549	1-216-105-00	METAL CHIP	220K 5% 1/10W
R499	1-216-099-00	METAL CHIP	120K 5% 1/10W (A1:PX)	R550	1-216-035-00	METAL CHIP	270 5% 1/10W
R501	1-216-089-00	METAL CHIP	47K 5% 1/10W	R551	1-216-121-00	METAL CHIP	1M 5% 1/10W
R502	1-216-111-00	METAL CHIP	390K 5% 1/10W	R552	1-216-051-00	METAL CHIP	1.2K 5% 1/10W
R503	1-216-113-00	METAL CHIP	470K 5% 1/10W	R553	1-216-013-00	METAL CHIP	33 5% 1/10W
R504	1-216-677-11	METAL CHIP	12K 0.5% 1/10W	R554	1-216-061-00	METAL CHIP	3.3K 5% 1/10W
R505	1-216-035-00	METAL CHIP	270 5% 1/10W	R555	1-216-035-00	METAL CHIP	270 5% 1/10W
R506	1-216-679-11	METAL CHIP	15K 0.5% 1/10W	R556	1-216-057-00	METAL CHIP	2.2K 5% 1/10W
R507	1-218-766-11	METAL CHIP	390K 0.50% 1/10W	R557	1-216-081-00	METAL CHIP	22K 5% 1/10W
R508	1-216-049-00	METAL CHIP	1K 5% 1/10W	R558	1-216-021-00	METAL CHIP	68 5% 1/10W
R509	1-216-685-11	METAL CHIP	27K 0.5% 1/10W	R559	1-216-097-00	METAL CHIP	100K 5% 1/10W
R510	1-218-760-11	METAL CHIP	220K 0.50% 1/10W	R560	1-216-049-00	METAL CHIP	1K 5% 1/10W
R511	1-216-675-11	METAL CHIP	10K 0.5% 1/10W	R561	1-216-049-00	METAL CHIP	1K 5% 1/10W
R512	1-216-687-11	METAL CHIP	33K 0.5% 1/10W	R564	1-216-049-00	METAL CHIP	1K 5% 1/10W
R513	1-216-699-11	METAL CHIP	100K 0.5% 1/10W				

The components identified by mark △ or dotted line with mark △ are critical for safety. Replace only with part number specified.	Les composants identifiés par une marque △ sont critiques pour la sécurité. Ne les remplacer que par une pièce portant le numéro spécifié.
--	--

**MB-702**

Ref. No.	Part No.	Description	Remark		
R566	1-216-049-00	METAL CHIP	1K	5%	1/10W
R567	1-216-049-00	METAL CHIP	1K	5%	1/10W
R568	1-216-049-00	METAL CHIP	1K	5%	1/10W
R569	1-216-049-00	METAL CHIP	1K	5%	1/10W
R570	1-216-049-00	METAL CHIP	1K	5%	1/10W
R571	1-216-049-00	METAL CHIP	1K	5%	1/10W
R572	1-216-049-00	METAL CHIP	1K	5%	1/10W
R573	1-216-049-00	METAL CHIP	1K	5%	1/10W
R574	1-216-049-00	METAL CHIP	1K	5%	1/10W
R576	1-216-049-00	METAL CHIP	1K	5%	1/10W
R577	1-216-049-00	METAL CHIP	1K	5%	1/10W
R578	1-216-049-00	METAL CHIP	1K	5%	1/10W
R579	1-216-057-00	METAL CHIP	2.2K	5%	1/10W
R580	1-216-049-00	METAL CHIP	1K	5%	1/10W
R581	1-216-049-00	METAL CHIP	1K	5%	1/10W
R582	1-216-049-00	METAL CHIP	1K	5%	1/10W
R583	1-216-049-00	METAL CHIP	1K	5%	1/10W
R584	1-216-049-00	METAL CHIP	1K	5%	1/10W
R585	1-216-049-00	METAL CHIP	1K	5%	1/10W
R586	1-216-049-00	METAL CHIP	1K	5%	1/10W
R587	1-216-049-00	METAL CHIP	1K	5%	1/10W
R588	1-216-049-00	METAL CHIP	1K	5%	1/10W
R589	1-216-057-00	METAL CHIP	2.2K	5%	1/10W
R590	1-216-057-00	METAL CHIP	2.2K	5%	1/10W
R591	1-216-057-00	METAL CHIP	2.2K	5%	1/10W
R592	1-216-049-00	METAL CHIP	1K	5%	1/10W
R593	1-216-049-00	METAL CHIP	1K	5%	1/10W
R594	1-216-049-00	METAL CHIP	1K	5%	1/10W
R595	1-216-049-00	METAL CHIP	1K	5%	1/10W
R596	1-216-049-00	METAL CHIP	1K	5%	1/10W
R597	1-216-049-00	METAL CHIP	1K	5%	1/10W
R598	1-216-049-00	METAL CHIP	1K	5%	1/10W
R599	1-216-049-00	METAL CHIP	1K	5%	1/10W
R601	1-216-049-00	METAL CHIP	1K	5%	1/10W
R603	1-216-049-00	METAL CHIP	1K	5%	1/10W
R604	1-216-049-00	METAL CHIP	1K	5%	1/10W
R605	1-216-049-00	METAL CHIP	1K	5%	1/10W
R606	1-216-049-00	METAL CHIP	1K	5%	1/10W
R607	1-216-049-00	METAL CHIP	1K	5%	1/10W
R608	1-216-049-00	METAL CHIP	1K	5%	1/10W
R609	1-216-049-00	METAL CHIP	1K	5%	1/10W
R610	1-216-049-00	METAL CHIP	1K	5%	1/10W
R611	1-216-049-00	METAL CHIP	1K	5%	1/10W
R612	1-216-049-00	METAL CHIP	1K	5%	1/10W
R613	1-216-049-00	METAL CHIP	1K	5%	1/10W
R614	1-216-049-00	METAL CHIP	1K	5%	1/10W
R615	1-216-049-00	METAL CHIP	1K	5%	1/10W
R616	1-216-049-00	METAL CHIP	1K	5%	1/10W
R617	1-216-049-00	METAL CHIP	1K	5%	1/10W

Ref. No.	Part No.	Description	Remark		
R618	1-216-049-00	METAL CHIP	1K	5%	1/10W
R620	1-216-049-00	METAL CHIP	1K	5%	1/10W
R621	1-216-049-00	METAL CHIP	1K	5%	1/10W
R622	1-216-049-00	METAL CHIP	1K	5%	1/10W
R623	1-216-049-00	METAL CHIP	1K	5%	1/10W
R624	1-216-049-00	METAL CHIP	1K	5%	1/10W
R625	1-216-049-00	METAL CHIP	1K	5%	1/10W
R628	1-216-041-00	METAL CHIP	470	5%	1/10W
R632	1-216-049-00	METAL CHIP	1K	5%	1/10W
R633	1-216-097-00	METAL CHIP	100K	5%	1/10W
R634	1-216-073-00	METAL CHIP	10K	5%	1/10W
R635	1-216-049-00	METAL CHIP	1K	5%	1/10W
R636	1-216-049-00	METAL CHIP	1K	5%	1/10W
R637	1-216-057-00	METAL CHIP	2.2K	5%	1/10W
R638	1-216-081-00	METAL CHIP	22K	5%	1/10W
R639	1-216-081-00	METAL CHIP	22K	5%	1/10W
R642	1-216-089-00	METAL CHIP	47K	5%	1/10W
R643	1-216-049-00	METAL CHIP	1K	5%	1/10W
R644	1-216-049-00	METAL CHIP	1K	5%	1/10W
R645	1-216-049-00	METAL CHIP	1K	5%	1/10W
R701	1-216-659-11	METAL CHIP	2.2K	0.5%	1/10W
R702	1-216-683-11	METAL CHIP	22K	0.5%	1/10W
R703	1-216-035-00	METAL CHIP	270	5%	1/10W
R704	1-216-055-00	METAL CHIP	1.8K	5%	1/10W
R705	1-216-043-00	METAL CHIP	560	5%	1/10W
R706	1-216-043-00	METAL CHIP	560	5%	1/10W
R707	1-216-091-00	METAL CHIP	56K	5%	1/10W
R708	1-216-109-00	METAL CHIP	330K	5%	1/10W
R709	1-216-119-00	METAL CHIP	820K	5%	1/10W
R710	1-216-043-00	METAL CHIP	560	5%	1/10W
R711	1-216-699-11	METAL CHIP	100K	0.5%	1/10W
R712	1-216-683-11	METAL CHIP	22K	0.5%	1/10W
R713	1-216-663-11	METAL CHIP	3.3K	0.5%	1/10W
R714	1-216-674-11	METAL CHIP	9.1K	0.5%	1/10W
R715	1-216-055-00	METAL CHIP	1.8K	5%	1/10W
R716	1-216-055-00	METAL CHIP	1.8K	5%	1/10W
R717	1-216-025-00	METAL CHIP	0	5%	1/10W
R801	1-216-105-00	METAL CHIP	220K	5%	1/10W
R802	1-216-105-00	METAL CHIP	220K	5%	1/10W
R803	1-216-295-00	METAL CHIP	0	5%	1/10W
R804	1-216-097-00	METAL CHIP	100K	5%	1/10W
R805	1-216-121-00	METAL CHIP	1M	5%	1/10W
R806	1-216-085-00	METAL CHIP	33K	5%	1/10W
R807	1-216-057-00	METAL CHIP	2.2K	5%	1/10W
R808	1-216-057-00	METAL CHIP	2.2K	5%	1/10W
R809	1-216-689-11	METAL CHIP	39K	0.5%	1/10W
R810	1-216-061-00	METAL CHIP	3.3K	5%	1/10W (A1:PX)
R812	1-216-295-00	METAL CHIP	0	5%	1/10W (A1:PX)
R813	1-216-295-00	METAL CHIP	0	5%	1/10W (A1:PX)

Ref. No.	Part No.	Description	Remark		
R814	1-216-295-00	METAL CHIP	0	5%	1/10W (A1:PX)
R900	1-216-085-00	METAL CHIP	33K	5%	1/10W (A1:PX)
R901	1-216-085-00	METAL CHIP	33K	5%	1/10W (A1:PX)
R902	1-216-295-00	METAL CHIP	0	5%	1/10W (A1:PX)
R904	1-216-295-00	METAL CHIP	0	5%	1/10W (A1:PX)
< VARIABLE RESISTOR >					
RV001	1-241-081-11	RES, ADJ, CARBON 22K			
RV401	1-241-083-11	RES, ADJ, CARBON 47K			
RV402	1-241-083-11	RES, ADJ, CARBON 47K			
< SWITCH >					
S201	1-553-725-21	SWITCH, SLIDE (ATTENUATOR)			
< COIL >					
T201	1-406-647-11	COIL			
< VIBRATOR >					
X001	1-579-617-11	VIBRATOR, CRYSTAL (28.1958MHz)			
X201	1-579-618-11	VIBRATOR, CRYSTAL (22.5MHz)			
*****					
*	A-6421-956-A	MD-701 BOARD, COMPLETE (600)			
*****					
*	A-6421-968-A	MD-701 (E70) BOARD, COMPLETE (A1)			
*****					
	3-953-262-01	HOLDER, LED			
< CAPACITOR >					
C431	1-126-947-11	ELECT	47uF	20%	35V
< CONNECTOR >					
* CN431	1-691-503-11	CONNECTOR, FPC 14P			
CN432	1-506-470-11	PIN, CONNECTOR 5P			
* CN433	1-564-014-51	PIN, CONNECTOR 4P			
CN434	1-506-468-11	PIN, CONNECTOR 3P			
< DIODE >					
D431	8-719-912-39	LED SLR932A			
D432	8-729-020-74	DIODE GP1S24			
D433	8-729-020-74	DIODE GP1S24			
D434	8-729-020-74	DIODE GP1S24			
< IC >					
IC431	8-759-927-46	IC SN74HCO0ANS			
< JUMPER RESISTOR >					
JR413	1-216-296-00	METAL CHIP	0	5%	1/8W

Ref. No.	Part No.	Description	Remark		
JR414	1-216-295-00	METAL CHIP	0	5%	1/10W
JR431	1-216-296-00	METAL CHIP	0	5%	1/8W
JR432	1-216-296-00	METAL CHIP	0	5%	1/8W
JR433	1-216-296-00	METAL CHIP	0	5%	1/8W
JR435	1-216-296-00	METAL CHIP	0	5%	1/8W
JR437	1-216-296-00	METAL CHIP	0	5%	1/8W
JR438	1-216-296-00	METAL CHIP	0	5%	1/8W
JR439	1-216-296-00	METAL CHIP	0	5%	1/8W
JR440	1-216-296-00	METAL CHIP	0	5%	1/8W
JR441	1-216-296-00	METAL CHIP	0	5%	1/8W
JR442	1-216-296-00	METAL CHIP	0	5%	1/8W
JR443	1-216-296-00	METAL CHIP	0	5%	1/8W
JR444	1-216-296-00	METAL CHIP	0	5%	1/8W
JR445	1-216-296-00	METAL CHIP	0	5%	1/8W
JR446	1-216-296-00	METAL CHIP	0	5%	1/8W
JR447	1-216-296-00	METAL CHIP	0	5%	1/8W
JR448	1-216-296-00	METAL CHIP	0	5%	1/8W
JR449	1-216-296-00	METAL CHIP	0	5%	1/8W
JR450	1-216-296-00	METAL CHIP	0	5%	1/8W
JR451	1-216-296-00	METAL CHIP	0	5%	1/8W
JR452	1-216-296-00	METAL CHIP	0	5%	1/8W
JR453	1-216-296-00	METAL CHIP	0	5%	1/8W
JR454	1-216-296-00	METAL CHIP	0	5%	1/8W
JR455	1-216-296-00	METAL CHIP	0	5%	1/8W
JR456	1-216-296-00	METAL CHIP	0	5%	1/8W
JR457	1-216-296-00	METAL CHIP	0	5%	1/8W
JR458	1-216-296-00	METAL CHIP	0	5%	1/8W
< RESISTOR >					
R431	1-216-033-00	METAL CHIP	220	5%	1/10W
R432	1-216-049-00	METAL CHIP	1K	5%	1/10W
R433	1-216-049-00	METAL CHIP	1K	5%	1/10W
R434	1-216-045-00	METAL CHIP	680	5%	1/10W
R435	1-216-099-00	METAL CHIP	120K	5%	1/10W
R436	1-216-039-00	METAL CHIP	390	5%	1/10W
R437	1-216-099-00	METAL CHIP	120K	5%	1/10W
R438	1-216-095-00	METAL CHIP	82K	5%	1/10W
R439	1-216-095-00	METAL CHIP	82K	5%	1/10W
< SWITCH >					
S431	1-692-440-11	SWITCH, PUSH (TILT)			
*****					

# MI-701

Ref. No.	Part No.	Description	Remark
*	A-6421-965-A	MI-701 BOARD, COMPLETE (A1:E, Tourist)	
*****			
*	A-6423-006-A	MI-701 (U70) BOARD, COMPLETE (600/A1:PX)	
*****			
< CAPACITOR >			
C501	1-126-160-11	ELECT	1uF 20% 50V
C502	1-163-009-11	CERAMIC CHIP	0.001uF 10% 50V
C503	1-126-160-11	ELECT	1uF 20% 50V
C504	1-163-011-11	CERAMIC CHIP	0.0015uF 10% 50V
C505	1-126-163-11	ELECT	4.7uF 20% 50V
C506	1-163-239-11	CERAMIC CHIP	33PF 5% 50V
C507	1-164-161-11	CERAMIC CHIP	0.0022uF 10% 100V
C508	1-126-163-11	ELECT	4.7uF 20% 50V
C509	1-124-584-00	ELECT	100uF 20% 10V
C510	1-163-038-00	CERAMIC CHIP	0.1uF 25V
C511	1-163-251-11	CERAMIC CHIP	100PF 5% 50V
C512	1-163-251-11	CERAMIC CHIP	100PF 5% 50V
C513	1-162-638-11	CERAMIC CHIP	1uF 16V
C514	1-124-584-00	ELECT	100uF 20% 10V
C515	1-163-038-00	CERAMIC CHIP	0.1uF 25V
C516	1-163-135-00	CERAMIC CHIP	560PF 5% 50V
C517	1-163-018-00	CERAMIC CHIP	0.0056uF 5% 50V
C518	1-162-638-11	CERAMIC CHIP	1uF 16V
C519	1-163-038-00	CERAMIC CHIP	0.1uF 25V
C520	1-124-589-11	ELECT	47uF 20% 16V
C521	1-163-038-00	CERAMIC CHIP	0.1uF 25V
C522	1-163-038-00	CERAMIC CHIP	0.1uF 25V
C523	1-163-038-00	CERAMIC CHIP	0.1uF 25V
C524	1-163-018-00	CERAMIC CHIP	0.0056uF 5% 50V
C525	1-163-135-00	CERAMIC CHIP	560PF 5% 50V
C526	1-164-232-11	CERAMIC CHIP	0.01uF 50V
C527	1-162-638-11	CERAMIC CHIP	1uF 16V
C528	1-164-232-11	CERAMIC CHIP	0.01uF 50V
C529	1-163-038-00	CERAMIC CHIP	0.1uF 25V
C530	1-163-038-00	CERAMIC CHIP	0.1uF 25V
C531	1-163-038-00	CERAMIC CHIP	0.1uF 25V
C532	1-163-038-00	CERAMIC CHIP	0.1uF 25V
C533	1-163-251-11	CERAMIC CHIP	100PF 5% 50V
C534	1-163-239-11	CERAMIC CHIP	33PF 5% 50V
C535	1-124-589-11	ELECT	47uF 20% 16V
C536	1-124-589-11	ELECT	47uF 20% 16V
C537	1-163-009-11	CERAMIC CHIP	0.001uF 10% 50V
< CONNECTOR >			
CN501	1-506-470-11	PIN, CONNECTOR	5P

Ref. No.	Part No.	Description	Remark
		< DIODE >	
D501	8-719-800-76	DIODE	1SS226
< FERRITE BEAD >			
FB501	1-412-390-21	INDUCTOR CHIP	0uH
FB502	1-412-390-21	INDUCTOR CHIP	0uH
FB503	1-543-775-11	FILTER, EMI	
< FILTER >			
FL501	1-236-728-11	ENCAPSULATED COMPONENT	
FL502	1-236-728-11	ENCAPSULATED COMPONENT	(600/A1:PX)
< IC >			
IC501	8-759-053-14	IC	M65831FP-600C
IC502	8-759-636-55	IC	M5218AFP
IC503	8-759-924-46	IC	BA4560F
△IC504	8-759-630-34	IC	M5278L05M
< JACK >			
J501	1-569-112-31	JACK, LARGE TYPE	(MIC)
< JUMPER RESISTOR >			
JR502	1-216-295-00	METAL CHIP	0 5% 1/10W
< COIL >			
L501	1-414-189-31	INDUCTOR	100uH
< RESISTOR >			
R501	1-216-025-00	METAL CHIP	100 5% 1/10W
R502	1-216-097-00	METAL CHIP	100K 5% 1/10W
R503	1-216-073-00	METAL CHIP	10K 5% 1/10W
R504	1-216-055-00	METAL CHIP	1.8K 5% 1/10W
R505	1-216-077-00	METAL CHIP	15K 5% 1/10W
R506	1-216-073-00	METAL CHIP	10K 5% 1/10W
R507	1-216-067-00	METAL CHIP	5.6K 5% 1/10W
R508	1-216-073-00	METAL CHIP	10K 5% 1/10W
R509	1-216-073-00	METAL CHIP	10K 5% 1/10W
R510	1-216-073-00	METAL CHIP	10K 5% 1/10W
R511	1-216-121-00	METAL CHIP	1M 5% 1/10W
R512	1-216-081-00	METAL CHIP	22K 5% 1/10W
R513	1-216-077-00	METAL CHIP	15K 5% 1/10W
R514	1-216-073-00	METAL CHIP	10K 5% 1/10W
R515	1-216-077-00	METAL CHIP	15K 5% 1/10W
R516	1-216-077-00	METAL CHIP	15K 5% 1/10W
R517	1-216-073-00	METAL CHIP	10K 5% 1/10W
R518	1-216-077-00	METAL CHIP	15K 5% 1/10W
R519	1-216-081-00	METAL CHIP	22K 5% 1/10W

The components identified by mark △ or dotted line with mark △ are critical for safety. Replace only with part number specified.

Les composants identifiés par une marque △ sont critiques pour la sécurité. Ne les remplacer que par une pièce portant le numéro spécifié.

Ref. No.	Part No.	Description	Remark		
R520	1-216-057-00	METAL CHIP	2.2K	5%	1/10W
R521	1-216-059-00	METAL CHIP	2.7K	5%	1/10W
R522	1-216-049-00	METAL CHIP	1K	5%	1/10W
R523	1-216-097-00	METAL CHIP	100K	5%	1/10W
R524	1-216-009-00	METAL CHIP	22	5%	1/10W
R525	1-216-009-00	METAL CHIP	22	5%	1/10W
< VARIABLE RESISTOR >					
RV501	1-223-190-11	RES, VAR, CARBON 10K/10K (MIC LEVEL)			
< VIBRATOR >					
X501	1-577-260-21	VIBRATOR, CERAMIC			
*****					
*	A-6421-955-A	MT-701 BOARD, COMPLETE (600)			
*****					
*	A-6421-967-A	MT-701 (E70) BOARD, COMPLETE (A1)			
*****					
< MOTOR >					
M903	1-541-930-11	MOTOR DC (TILT)			
*****					
*	A-6421-953-A	MT-702 BOARD, COMPLETE			
*****					
< CAPACITOR >					
C471	1-161-063-00	CERAMIC	0.1uF	10%	50V
< CONNECTOR >					
* CN471	1-695-105-11	PIN, CONNECTOR (PC BOARD) 3P			
< MOTOR >					
M471	1-541-309-11	MOTOR L (RF-370C) (LOADING)			
*****					

Ref. No.	Part No.	Description	Remark		
*	A-6421-959-A	PS-709 (J70) BOARD, COMPLETE			
*****					
*	A-6421-992-A	PS-709 (P70) BOARD, COMPLETE (A1)			
*****					
△	1-533-189-11	HOLDER, FUSE			
< CAPACITOR >					
C031	1-126-948-11	ELECT	100uF	20%	35V
C032	1-164-222-11	CERAMIC CHIP	0.22uF		25V
C033	1-126-948-11	ELECT	100uF	20%	35V
C034	1-164-222-11	CERAMIC CHIP	0.22uF		25V
C035	1-126-941-11	ELECT	470uF	20%	25V
C036	1-126-946-11	ELECT	6800uF	20%	25V
C037	1-126-944-11	ELECT	3300uF	20%	25V
C038	1-126-944-11	ELECT	3300uF	20%	25V
C039	1-163-035-00	CERAMIC CHIP	0.047uF		50V
C040	1-124-997-11	ELECT	470uF	20%	10V
C041	1-163-035-00	CERAMIC CHIP	0.047uF		50V
C042	1-163-035-00	CERAMIC CHIP	0.047uF		50V
C043	1-124-997-11	ELECT	470uF	20%	10V
C044	1-163-035-00	CERAMIC CHIP	0.047uF		50V
C045	1-124-557-11	ELECT	1000uF	20%	25V
C046	1-124-557-11	ELECT	1000uF	20%	25V
C047	1-124-557-11	ELECT	1000uF	20%	25V
C051	1-163-009-11	CERAMIC CHIP	0.001uF	10%	50V
C052	1-163-019-00	CERAMIC CHIP	0.0068uF	10%	50V
C054	1-163-009-11	CERAMIC CHIP	0.001uF	10%	50V
C055	1-163-017-00	CERAMIC CHIP	0.0047uF	5%	50V
C056	1-163-007-11	CERAMIC CHIP	680PF	10%	50V
C058	1-163-035-00	CERAMIC CHIP	0.047uF		50V
C059	1-163-017-00	CERAMIC CHIP	0.0047uF	5%	50V
C060	1-163-007-11	CERAMIC CHIP	680PF	10%	50V
C061	1-163-017-00	CERAMIC CHIP	0.0047uF	5%	50V
C062	1-163-009-11	CERAMIC CHIP	0.001uF	10%	50V
C063	1-124-122-11	ELECT	100uF	20%	50V
C064	1-163-035-00	CERAMIC CHIP	0.047uF		50V
< CONNECTOR >					
* CN030	1-560-892-00	PIN, CONNECTOR 4P			
CN031	1-506-469-11	PIN, CONNECTOR 4P			
CN051	1-506-490-21	PIN, CONNECTOR 11P			
* CN052	1-564-506-11	PLUG, CONNECTOR 3P			
CN053	1-506-468-11	PIN, CONNECTOR 3P			
< DIODE >					
△D031	8-719-200-82	DIODE	11ES2		
△D032	8-719-200-82	DIODE	11ES2		
D033	8-719-911-19	DIODE	1SS119		
△D034	8-719-025-17	DIODE	D3SBA10-4100		

The components identified by mark △ or dotted line with mark △ are critical for safety. Replace only with part number specified.

Les composants identifiés par une marque △ sont critiques pour la sécurité. Ne les remplacer que par une pièce portant le numéro spécifié.



Ref. No.	Part No.	Description	Remark
△D035	8-719-200-82	DIODE 11ES2	
△D036	8-719-980-78	DIODE ERA81-006	
△D037	8-719-980-78	DIODE ERA81-006	
△D038	8-719-980-78	DIODE ERA81-006	
△D039	8-719-980-78	DIODE ERA81-006	
D051	8-719-980-78	DIODE ERA81-006	
D052	8-719-980-78	DIODE ERA81-006	
D053	8-719-200-82	DIODE 11ES2	
D054	8-719-200-82	DIODE 11ES2	
D055	8-719-911-19	DIODE 1SS119	
D056	8-719-911-19	DIODE 1SS119	
D057	8-719-911-19	DIODE 1SS119	
D058	8-719-109-85	DIODE RD5.1ES-B2	
D059	8-719-109-75	DIODE RD4.3ES-B2	
D060	8-719-911-19	DIODE 1SS119	
△D061	8-719-503-40	DIODE S3V40	
< FUSE >			
△F031	1-532-299-00	FUSE, TIME-LAG T5A 250V (A1)	
△F031	1-532-747-11	FUSE, GLASS TUBE 5A 125V (600)	
△F032	1-532-299-00	FUSE, TIME-LAG T5A 250V (A1)	
△F032	1-532-747-11	FUSE, GLASS TUBE 5A 125V (600)	
△F053	1-532-780-21	FUSE, MICRO (2.5A 125V) (600)	
△F054	1-532-780-21	FUSE, MICRO (2.5A 125V) (600)	
< IC >			
△IC031	8-759-231-53	IC M5F7805	
△IC032	8-759-701-58	IC NJM78M08FA	
△IC033	8-759-701-67	IC NJM79M08FA	
IC051	8-759-100-93	IC μPC393G2	
IC052	8-759-996-43	IC RC4558PS	
< COIL >			
△L031	1-410-521-11	INDUCTOR 100uH	
L051	1-424-219-11	COIL, CHOKE 300uH	
< IC LINK >			
△PS051	1-532-675-00	LINK, IC 1.5A	
△PS052	1-532-675-00	LINK, IC 1.5A	
△PS053	1-532-843-21	LINK, IC (A1)	
△PS054	1-532-843-21	LINK, IC (A1)	
< TRANSISTOR >			
Q031	8-729-141-75	TRANSISTOR 2SD596DV345	
△Q051	8-729-117-11	TRANSISTOR 2SB1151	
△Q052	8-729-019-31	TRANSISTOR 2SC4596E	
△Q053	8-729-117-11	TRANSISTOR 2SB1151	
△Q054	8-729-019-31	TRANSISTOR 2SC4596E	

Ref. No.	Part No.	Description	Remark
Q055	8-729-119-78	TRANSISTOR 2SC2785-HFE	
Q056	8-729-216-22	TRANSISTOR 2SA1162-G	
Q058	8-729-230-49	TRANSISTOR 2SC2712-YG	
Q059	8-729-216-22	TRANSISTOR 2SA1162-G	
Q060	8-729-230-49	TRANSISTOR 2SC2712-YG	
Q061	8-729-119-76	TRANSISTOR 2SA1175-HFE	
< RESISTOR >			
△R031	1-212-867-00	FUSIBLE 27 5% 1/4W F	
R032	1-216-057-00	METAL CHIP 2.2K 5% 1/10W	
△R033	1-216-426-11	METAL OXIDE 82 5% 1W F	
R034	1-216-049-00	METAL CHIP 1K 5% 1/10W	
R035	1-216-061-00	METAL CHIP 3.3K 5% 1/10W	
R051	1-216-081-00	METAL CHIP 22K 5% 1/10W	
R052	1-216-075-00	METAL CHIP 12K 5% 1/10W	
R053	1-216-093-00	METAL CHIP 68K 5% 1/10W	
R054	1-216-081-00	METAL CHIP 22K 5% 1/10W	
R055	1-216-075-00	METAL CHIP 12K 5% 1/10W	
R056	1-216-097-00	METAL CHIP 100K 5% 1/10W	
R057	1-216-073-00	METAL CHIP 10K 5% 1/10W	
R061	1-216-073-00	METAL CHIP 10K 5% 1/10W	
R062	1-216-065-00	METAL CHIP 4.7K 5% 1/10W	
R063	1-216-049-00	METAL CHIP 1K 5% 1/10W	
R064	1-247-750-11	CARBON 680 5% 1/2W	
R065	1-247-750-11	CARBON 680 5% 1/2W	
R066	1-216-049-00	METAL CHIP 1K 5% 1/10W	
△R067	1-216-369-00	METAL OXIDE 1 5% 2W F	
R068	1-216-690-11	METAL CHIP 43K 0.5% 1/10W	
R069	1-216-675-11	METAL CHIP 10K 0.5% 1/10W	
R070	1-216-690-11	METAL CHIP 43K 0.5% 1/10W	
R071	1-216-675-11	METAL CHIP 10K 0.5% 1/10W	
R072	1-216-073-00	METAL CHIP 10K 5% 1/10W	
R073	1-216-073-00	METAL CHIP 10K 5% 1/10W	
△R074	1-215-866-11	METAL OXIDE 330 5% 1W F	
R075	1-216-073-00	METAL CHIP 10K 5% 1/10W	
R076	1-247-750-11	CARBON 680 5% 1/2W	
R077	1-216-073-00	METAL CHIP 10K 5% 1/10W	
R078	1-216-093-00	METAL CHIP 68K 5% 1/10W	
R079	1-216-097-00	METAL CHIP 100K 5% 1/10W	
R080	1-216-097-00	METAL CHIP 100K 5% 1/10W	
< RELAY >			
△RY031	1-515-833-11	RELAY	

\*\*\*\*\*

<p>The components identified by mark △ or dotted line with mark △ are critical for safety. Replace only with part number specified.</p>	<p>Les composants identifiés par une marque △ sont critiques pour la sécurité. Ne les remplacer que par une pièce portant le numéro spécifié.</p>
---	---

PW-705

RF-704

SW-716

Ref. No.	Part No.	Description	Remark
*	A-6421-966-A	PW-705 BOARD, COMPLETE (600) *****	
*	A-6421-976-A	PW-705 (E70) BOARD, COMPLETE (A1) *****	
		< CAPACITOR >	
C291	1-163-035-00	CERAMIC CHIP 0.047uF	50V
		< CONNECTOR >	
CN291	1-506-485-11	PIN, CONNECTOR 6P	
		< DIODE >	
D291	8-719-400-18	DIODE MA152WK	
D292	8-719-028-30	DIODE SPR-39MVWF (A1)	
D292	8-719-992-30	LED SLR305MC3F (600)	
D293	8-719-028-30	DIODE SPR-39MVWF (A1)	
D293	8-719-992-30	LED SLR305MC3F (600)	
D294	8-719-992-26	DIODE SLR-305DCA47	
		< IC >	
IC291	8-741-100-48	IC SBX1610-59	
		< TRANSISTOR >	
Q292	8-729-017-14	TRANSISTOR RN2403-TE85L (A1)	
Q293	8-729-017-14	TRANSISTOR RN2403	
Q294	8-729-017-14	TRANSISTOR RN2403	
		< RESISTOR >	
R291	1-216-037-00	METAL CHIP 330 5% 1/10W (A1)	
R292	1-216-037-00	METAL CHIP 330 5% 1/10W	
R293	1-216-063-00	METAL CHIP 3.9K 5% 1/10W	
R294	1-216-059-00	METAL CHIP 2.7K 5% 1/10W	
R295	1-216-025-00	METAL CHIP 100 5% 1/10W	
R296	1-216-033-00	METAL CHIP 220 5% 1/10W	
R297	1-216-037-00	METAL CHIP 330 5% 1/10W (A1)	
R298	1-216-033-00	METAL CHIP 220 5% 1/10W	
R299	1-216-049-00	METAL CHIP 1K 5% 1/10W	
		< SWITCH >	
S292	1-571-977-11	SWITCH, TACTIL (ACCESS)	
S293	1-571-977-11	SWITCH, TACTIL (FL DISPLAY)	
S294	1-571-977-11	SWITCH, TACTIL (POWER)	

\*\*\*\*\*

Ref. No.	Part No.	Description	Remark
*	A-6421-991-A	RF-704 BOARD, COMPLETE (A1:PX) *****	
		< CAPACITOR >	
C001	1-163-038-00	CERAMIC CHIP 0.1uF	25V
		< CONNECTOR >	
CN101	1-506-470-11	PIN, CONNECTOR 5P	
		< DIODE >	
D001	8-719-800-76	DIODE 1SS226	
		< JACK >	
J002	1-537-431-11	TERMINAL BOARD	
		< JUMPER RESISTOR >	
JR001	1-216-296-00	METAL CHIP 0 5% 1/8W	
		< TRANSISTOR >	
Q001	8-729-106-60	TRANSISTOR 2SB1115A	
		< RESISTOR >	
R001	1-216-049-00	METAL CHIP 1K 5% 1/10W	
R002	1-216-296-00	METAL CHIP 0 5% 1/8W	
R003	1-543-775-11	FILTER, EMI	
R004	1-543-775-11	FILTER, EMI	
R005	1-216-001-00	METAL CHIP 10 5% 1/10W	
R006	1-216-001-00	METAL CHIP 10 5% 1/10W	
R007	1-543-775-11	FILTER, EMI	
*****			
*	A-6421-964-A	SW-716 BOARD, COMPLETE (600) *****	
*	A-6421-972-A	SW-716 (E70) BOARD, COMPLETE (A1) *****	
		< CONNECTOR >	
CN281	1-506-484-11	PIN, CONNECTOR 5P	
		< DIODE >	
D281	8-719-992-30	LED SLR305MC3F	
D282	8-719-992-30	LED SLR305MC3F	
		< RESISTOR >	
R281	1-216-081-00	METAL CHIP 22K 5% 1/10W	
R282	1-216-071-00	METAL CHIP 8.2K 5% 1/10W	
R283	1-216-063-00	METAL CHIP 3.9K 5% 1/10W	

SW-716

SW-719

TE-701

TR-709

Ref.No.	Part No.	Description	Remark		
R284	1-216-059-00	METAL CHIP	2.7K	5%	1/10W
R285	1-216-081-00	METAL CHIP	22K	5%	1/10W
R286	1-216-071-00	METAL CHIP	8.2K	5%	1/10W
R287	1-216-063-00	METAL CHIP	3.9K	5%	1/10W
R288	1-216-059-00	METAL CHIP	2.7K	5%	1/10W

< SWITCH >

S281	1-571-977-11	SWITCH, TACTIL (SIDE B)
S282	1-571-977-11	SWITCH, TACTIL ( >>> )
S283	1-571-977-11	SWITCH, TACTIL ( <<<< )
S284	1-571-977-11	SWITCH, TACTIL ( >>>> )
S285	1-571-977-11	SWITCH, TACTIL ( <<<<< )
S286	1-571-977-11	SWITCH, TACTIL (SIDE A)
S287	1-571-977-11	SWITCH, TACTIL ( >>> )
S288	1-571-977-11	SWITCH, TACTIL ( >>>> )
S289	1-571-977-11	SWITCH, TACTIL ( >>>>> )
S290	1-571-977-11	SWITCH, TACTIL (OPEN/CLOSE)

\*\*\*\*\*

\* A-6421-954-A SW-719 BOARD, COMPLETE  
\*\*\*\*\*

< CONNECTOR >

\* CN481 1-566-779-11 PIN, CONNECTOR (PC BOARD) 4P

< SWITCH >

S481 1-692-439-11 SWITCH, PUSH (LOAD/CHUCK)

\*\*\*\*\*

\* A-6421-984-A TE-701 BOARD, COMPLETE  
\*\*\*\*\*

< CAPACITOR >

C001	1-163-038-00	CERAMIC CHIP	0.1uF		25V
C002	1-163-038-00	CERAMIC CHIP	0.1uF		25V
C003	1-163-239-11	CERAMIC CHIP	33PF	5%	50V
C006	1-163-016-00	CERAMIC CHIP	0.0039uF	10%	50V
C007	1-163-097-00	CERAMIC CHIP	15PF	5%	50V
C008	1-163-031-11	CERAMIC CHIP	0.01uF		50V
C009	1-164-489-11	CERAMIC CHIP	0.22uF	10%	16V

< CONNECTOR >

CN001 1-750-699-11 CONNECTOR, BOARD TO BOARD 8P

< IC >

IC001	8-759-909-71	IC	BA4558F
IC002	8-759-242-64	IC	TC4W53F

Ref.No.	Part No.	Description	Remark		
< RESISTOR >					

R001	1-216-085-00	METAL CHIP	33K	5%	1/10W
R002	1-216-085-00	METAL CHIP	33K	5%	1/10W
R005	1-216-103-00	METAL CHIP	180K	5%	1/10W
R006	1-216-089-00	METAL CHIP	47K	5%	1/10W
R007	1-216-689-11	METAL CHIP	39K	0.5%	1/10W

R008	1-216-061-00	METAL CHIP	3.3K	5%	1/10W
R009	1-216-101-00	METAL CHIP	150K	5%	1/10W
R010	1-216-083-00	METAL CHIP	27K	5%	1/10W
R011	1-216-089-00	METAL CHIP	47K	5%	1/10W
R012	1-216-067-00	METAL CHIP	5.6K	5%	1/10W

R013	1-216-097-00	METAL CHIP	100K	5%	1/10W
R014	1-216-067-00	METAL CHIP	5.6K	5%	1/10W

\*\*\*\*\*

\* A-6421-978-A TR-709 (U70) BOARD, COMPLETE (600)  
\*\*\*\*\*

\* A-6421-993-A TR-709 (P70) BOARD, COMPLETE (A1)  
\*\*\*\*\*

△ 1-533-189-11 HOLDER, FUSE

< CAPACITOR >

△C001 1-136-212-12 FILM 0.1uF 20% 250V

< CONNECTOR >

△CN001 1-564-419-11 HEADER, SPRING (POWER) 2P

< FUSE >

△F001 1-532-215-00 FUSE, TIME-LAG TO.8A 250V (A1)

△F001 1-532-742-11 FUSE, GLASS TUBE 1.6A 125V (600)

< RESISTOR >

△R001 1-202-729-00 SOLID 6.8M 10% 1/2W

< TRANSFORMER >

△T001 1-423-522-11 TRANSFORMER, POWER (600)

△T001 1-423-556-11 TRANSFORMER, POWER (A1)

△T002 1-424-535-11 FILTER, LINE

\*\*\*\*\*

The components identified by mark △ or dotted line with mark △ are critical for safety. Replace only with part number specified.

Les composants identifiés par une marque △ sont critiques pour la sécurité. Ne les remplacer que par une pièce portant le numéro spécifié.

Ref. No. Part No. Description Remark

\* A-6421-975-A VS-705 (E70) BOARD, COMPLETE (A1)  
\*\*\*\*\*

< FUSE >

△F201 1-532-066-00 FUSE, TIM, ELAGR VOLTAGE (A1)

< SWITCH >

△S021 1-570-615-11 SELECTOR, POWER VOLTAGE  
(VOLTAGE SELECTOR)

\*\*\*\*\*

MISCELLANEOUS  
\*\*\*\*\*

- 16 1-693-095-81 REMOTE COMMANDER (RMT-M19A)  
(600/A1:E, Tourist)
- 208 8-848-286-01 DEVICE, OPTICAL KHS-150A
- 211 1-751-083-11 CABLE, FLEXIBLE FLAT (18 CORE)
- 221 1-751-084-11 CABLE, FLEXIBLE FLAT (14 CORE)
- M950 1-698-109-11 MOTOR, DD (SPINDLE)

\*\*\*\*\*

ACCESSORIES & PACKING MATERIALS  
\*\*\*\*\*

- △ 1-569-008-11 ADAPTER, CONVERSION 2P (A1:E, PX, Tourist)
- △ 1-574-085-11 CORD, POWER (600)
- △ 1-575-131-11 CORD, POWER (A1:E, PX, Tourist)
- 1-575-334-11 CORD, CONNECTION
- 1-693-095-91 REMOTE COMMANDER (RMT-M19B) (A1:PX)
- 3-756-634-12 MANUAL, INSTRUCTION (ENGLISH)  
(A1:E, Tourist)
- 3-756-634-22 MANUAL, INSTRUCTION (600/A1:PX)
- 3-756-634-32 MANUAL, INSTRUCTION (FRENCH) (600:CND)
- \* 3-795-581-21 SAFEGUARD (SONY), IMPORTANT (600:US)
- \* 3-953-404-01 CUSHION (UPPER)
- \* 3-953-405-01 CUSHION (LOWER)
- \* 3-953-410-01 INDIVIDUAL CARTON (600)
- \* 3-953-410-11 INDIVIDUAL CARTON (A1:E, PX, Tourist)

\*\*\*\*\*

Ref. No. Part No. Description Remark

\*\*\*\*\*  
HARDWARE LIST  
\*\*\*\*\*

- #1 7-685-646-79 SCREW +BVTP 3X8 TYPE2 N-S
- #2 7-671-155-01 STEEL BALL 3.0
- #3 7-624-105-04 STOP RING 2.3, TYPE -E
- #4 7-685-144-19 SCREW +P 3X5 TYPE2 NON-SLIT
- #6 7-682-645-01 SCREW +PS 3X4
- #7 7-685-647-79 SCREW +BVTP 3X10 TYPE2
- #8 7-627-553-48 SCREW, PRECISION +P 2X4
- #9 7-628-253-05 SCREW +PS 2X4
- #10 7-621-759-35 +PSW, 2.6X5
- #12 7-624-190-81 STOP RING 2, TYPE-CS
- #13 7-682-947-01 SCREW +PSW 3X6
- #14 7-621-759-65 +PSW, 2.6X8
- #15 7-685-661-14 SCREW +BVTP 4X12 TYPE2 IT-3
- #16 7-624-102-04 STOP RING 1.5, TYPE -E
- #17 7-685-131-19 SCREW +P 2.6X4 TYPE2 NON-SLIT
- #18 7-621-775-20 SCREW +B 2.6X5 (A1)
- #19 7-685-158-19 SCREW +P 4X6 TYPE2 NON-SLIT

\*\*\*\*\*

<p>The components identified by mark △ or dotted line with mark △ are critical for safety. Replace only with part number specified.</p>	<p>Les composants identifiés par une marque △ sont critiques pour la sécurité. Ne les remplacer que par une pièce portant le numéro spécifié.</p>
---	---

## SECTION 7

### ELECTRICAL ADJUSTMENTS

During the adjustment, see the parts arrangement diagram for adjustments on page from 140.

#### 7-1. LIST OF SERVICING JIGS

- Oscilloscope
- Color monitor TV
- Digital voltmeter
- Frequency counter
- Remote commander (RMT-M19A/M19B)
- LD alignment disc HVL-8 (8-797-008-00) NTSC Ref. Disc 8

#### 7-2. CAUTIONS ON ADJUSTMENT

- Disc load/unload operation must not be performed when servicing with the unit laying down sideways. (Never press the OPEN and CLOSE buttons.)
- When laying the unit down sideways, perform adjustment with the left side down and turn the power on.
- When adjusting the servo system, be sure to set up the unit horizontally.

#### 7-3. OPERATION OF THE MDP-A1/600 WITH HIDDEN KEY FUNCTIONS

##### 1. Explanation of the hidden key functions

Special control functions to be used for the test or some other purposes of the MDP-A1/600 are available by pressing at the same time and in specific order the multiple function keys on the main unit and/or on the remote control unit. The control functions available in this way are called "special key functions". The special key functions can be used in either of the following modes.

- the service mode,
- the debugging mode, or
- the normal operation mode.

The special key functions can be divided into two groups according to the key control operations as follows:

- Simultaneous main-unit-key-press functions  
Some control functions can be used by pressing simultaneously multiple specific keys on the main unit.
- Simultaneous main-and-remote-control-units-key-press functions  
Some other control functions can be used by pressing simultaneously two specific keys on the remote control unit while holding down a specific key on the main unit.

##### 2. How to use "simultaneous main-unit-key-press functions"

The functions available by pressing simultaneously the multiple specific keys only on the main unit are called "simultaneous main-unit-key-press functions". These functions are to be used when a quick operation such as "forced power off" is required. The following table lists the currently available simultaneous main-unit-key-press functions.

Table 7-1. List of simultaneous main-unit-key-press functions

Keys to be pressed on the main unit	Functions
Reverse direction scanning key and power key	(1) Forced power off This function turns off power forcibly. It is to be used if you want to turn off the power in the following cases. <ul style="list-style-type: none"> <li>• Operation of the mechanisms is out of control.</li> <li>• Power cannot be turned off by pressing the power key.</li> </ul> Note that this function should be used with care because it may turn off the power in a half way of the operation of the mechanisms.
STOP key and power key	(2) Forced reset This function carries out initialization of the mode controller in addition to the forced power off function. It is to be used if you want to reset the mode controller in the following case. Something is wrong with the mode controller such that it operates with incorrect display. Note that once this function has been carried out, all information, including the history of emergency case, other than the trap-flag information in the debugging mode, will be deleted.
B side key and door open/close key and power key	(3) Lighting up all the FL display (all the segments of the FL tube) and LEDs on the main unit This function turns on all the FL tube segments and LEDs after turning on the power automatically. Until you switched off the power, normal operation is possible while all the FL tube segments and LEDs are lit.

### 3. How to use "simultaneous main-and-remote-control-units-key-press functions"

The functions available by pressing the two specific keys on the remote control unit while holding down the specific key on the main unit are called "simultaneous main-and-remote-control-units-key-press functions". It is necessary to press two keys on the remote control unit within about one second. This prevents an accidental use of these functions by the user.

These functions are to be carried out by using the keys those not directly related to operation of mechanisms, such as the FL display key, so that the operation of the mechanisms is not affected.

The following table lists the currently available simultaneous main-and-remote-control-units-key-press functions.

Table 7-2. List of simultaneous main-and-remote-control-units-key-press functions

Step	Keys to be pressed on the main unit and on the remote control unit	Functions
1 2	FL display key and 0 key FL display key and STOP key	(4) Debugging mode ON/OFF This function puts the unit in the debugging mode from another mode, or puts the unit in the mode other than the debugging mode from the debugging mode. For details on the debugging mode, refer to 7-5. "OPERATION OF THE MDP-A1/600 IN THE DEBUGGING MODE".
1 2	FL display key and 0 key FL display key and screen display key	(5) Forced V muting ON/OFF This function releases the unit from the forced V muting condition if it is in the forced V muting condition, or puts the unit in the forced V muting condition if it is not in the forced V muting condition. It can be used to obtain a blue background during playback, or removing the blue background while the unit is in the stop mode.
1 2	FL display key and 0 key FL display key and clear key	(6) Resetting of V muting This function resets the unit in the V muting condition to normal condition. That is, it releases the unit from condition (5) above.

## 7-4. OPERATION OF THE MDP-A1/600 IN THE SERVICE MODE

### 1. Explanation of the service mode

The functions for the use on reparation and maintenance (the service mode) are incorporated in the MDP-A1/600. The mode in which those functions are available is called "the service mode".

The following are the differences between the service mode and the normal operation mode.

- (1) Special operations such as focusing search and sledding can be carried out.
- (2) Power is not turned off automatically in an emergency condition of power off.
- (3) The history of emergency occasions can be checked by entering automatically the debugging mode. (For details of the debugging mode, refer to 7-5. "OPERATION OF THE MDP-A1/600 IN THE DEBUGGING MODE".

### 2. Entering the service mode

The following procedure shows how to enter the service mode.

- (1) While the power is turned off, connect the test pin (TP501 for service mode setting) on the MB board of the main unit, to the ground.
- (2) Turn on the power by pressing the power key of the main unit. Nothing is displayed on the screen at this moment.
- (3) Disconnect the test pin (the connection was performed in step (1) above) from the ground.

The service mode can be started when the background color changes in violet. If the background color is blue or black, the service mode is not available yet. If so, restart the procedure from step (1) above.

When the unit is in the service mode, it is also put in the debugging mode (the functions those available in both the modes can be used). Therefore, the version No. of the microprocessor appears on the screen. For details of the debugging mode, refer to 7-5. "OPERATION OF THE MDP-A1/600 IN THE DEBUGGING MODE".

### 3. Quitting the service mode

To quit the service mode, press the power key and turn off the power. If you cannot turn off the power in this way (the operation of the mechanisms is not complete), carry out the forced power off function by pressing the reverse direction scanning key and the power key on the main unit at the same time.

### 4. Operating with the special key functions

The special key functions in the service mode are available only under NO DISC and STOP conditions, for safety purposes.

Check that the indication for those conditions is displayed without flashing on the screen or on the FL display. In order to carry out

the special key functions listed in table 7-3, in the status above, turn off the FL display, and then press the desired key such as PLAY or PAUSE on the main unit.

The sledding motion with the SIDE A or SIDE B key is effective only while holding the key pressed. However, the operation started with the PLAY or PAUSE key continues, once it is pressed, until you press the STOP key. While the unit is carrying out the special key function, the LED of side B of the main unit is lit.

Note that multiple special key functions cannot be started even if you press multiple keys at the same time.

When the FL display is turned off, the keys such as the power key are not effective. Be sure to turn on the FL display if you don't want to carry out the special key functions.

Table 7-3. List of the special key functions

Key	Special key functions
SIDE A	Sledding in reverse direction (downward)
SIDE B	Sledding in normal direction (upward)
PLAY	Focusing search
PAUSE	Tilt servo ON
STOP	Stop special operations

The following are the details of the special key functions available with the MDP-A1/600.

- (1) PLAY key for focusing search  
Focusing search operation can be carried out repeatedly by holding down the PLAY key. There is no fault with the unit if the pick-up lens moves up and down.  
Be sure to start the focusing search operation after checking the condition that the sled is placed in appropriate position (at around the center of side A). To stop the focusing search operation, press the STOP key.
- (2) SIDE A key for sledding in reverse direction  
The sled can be moved in reverse direction (center of side B, to edge of side B, to edge of side A, and then to center of side A) after completing initialization of the tilt (the tilt is placed in neutral position) by holding down the SIDE A key. To stop the sledding in reverse direction, release the SIDE A key.
- (3) SIDE B key for sledding in normal direction  
As contrary to item (2) above, the sled can be moved in normal direction (center of side A, to edge of side A, to edge of side B, and then to center of side B). This movement of the sled is desired when replacing the optical part. To stop the sledding in normal direction, release the SIDE B key.
- (4) PAUSE key for tilt servo ON  
The tilt servo is activated while holding down the PAUSE key. Move the sled to around the center of side A with the SIDE A and SIDE B keys, and put a CD or equivalent on the tray so that it screens the skew sensor. Then, if the tilt

moves by pressing the PAUSE key, operation is normal. The tilt can be placed back in neutral position by moving the sled with the SIDE A and SIDE B keys. To deactivate the tilt servo, press the STOP key.

## 7-5. OPERATION OF THE MDP-A1/600 IN THE DEBUGGING MODE

### 1. Explanation of the debugging mode

The contents in the RAM of the microprocessor can be displayed on the screen for the repair and maintenance purposes. The status of the MDP-A1/600 in which this debugging function is available is called "the debugging mode".

The following are the differences between the debugging mode and the normal operation mode.

- (1) The background color of the screen changes in green when the FL display is turned off.
- (2) Under the status described item (1) above, pressing the key on the remote control unit displays the history of emergency conditions or other debugging information.

### 2. Entering the debugging mode

To enter the debugging mode from a normal operation mode (in a normal status of operation), turn on the unit, press the 0 key and then the STOP key on the remote control unit while holding down the FL display key on the main unit.

When the following display appears on the screen, the unit is in the debugging mode. This display shows the version No. of the microprocessor. For details, refer to 5. (1) "[FRAME/TIME] key for displaying version No. of the microprocessor".

In the debugging mode, when the FL display is turned off in the stop or some other modes, the background color changes in green. (Note that it is violet in the service mode.)

	1	2	3	4	5	6	7	8	9	10	1	2	3	4	5	6	7	8	9	20	1	2	3	4	
1st line																									STOP
2nd line	V	E	R																						
3rd line	M	M	I	-	7	0	0	D		1	2	/	2	5	A										
4th line																									
5th line																									
6th line																									
7th line	M	C	M	-	0	7	0	0		9	2	1	2		2	5	0	C							
8th line																									
9th line																									
10th line																									

Fig. 7-1. Initial display in the debugging mode

### 3. Quitting the debugging mode

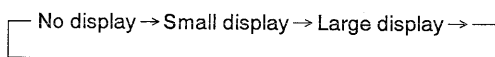
To quit the debugging mode, press the clear key on the remote control unit when the menu (version No. of the microprocessor) in fig. 7-2 is displayed.

The same key operation as step (2) also sets the mode back in the normal operation mode. In the normal operation mode, when the FL display is turned off in the stop or some other modes, the background color changes in black. (Note that it is violet in the service mode.)

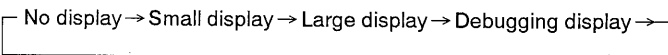
#### 4. Changing the display on the screen

The display is set for "debugging display" immediately after entering the debugging mode. The display mode can be changed in the same manner as in the normal operation mode by pressing the screen display key. In the debugging mode, however, "debugging display" mode can be selected as one of the display modes, in addition to "no display (displays nothing in most cases)", "small display (displays only the 1st line in most cases)", and "large display (displays full screen in most cases)" modes.

Pressing the screen display key in the normal operation mode changes the display mode as follows:



Pressing the screen display key in the debugging mode changes the display mode as follows:



#### 5. Explanation of the debugging display

In the debugging display mode, the information on the mode controller is displayed on the screen as a dump list. The title is displayed at the left on the 2nd line from the top. The data is displayed on the 3rd line through the 9th line.

The display of the data in one line consists of up to four sets (total of 8 bytes) of four character (2 bytes character each) sets in hexadecimal notation.

The information to be displayed can be selected in the debugging mode, by turning off the FL display and pressing the desired key (as listed below).

The following table lists the information which are currently available and which can be displayed.

Table 7-4. List of the keys to be used in the debugging mode and corresponding information

Keys	Information to be displayed
[FRAME/TIME]	Version No. of the microprocessor
[1]	History of the function modes
[2]	History of the emergency occurrence
[3]	Information for repair service sent from the mechanism controller
[4]	Trap-flag
[5]	Key/remote control data
[6]	Information on communication with the mechanism controller

- (1) [FRAME/TIME] key for displaying version No. of the microprocessor

Pressing this key displays the version No. of the microprocessor. The version No. of the mode controller appears on the 3rd line, and that of the mechanism controller appears on the 7th line. An example in figure 7-2 shows that the version No. of the mode controller is "MMI-700D

12/25A" and that of the mechanism controller is "MCM-700 92/12/25C".

```

    1 2 3 4 5 6 7 8 9 10 1 2 3 4 5 6 7 8 9 20 1 2 3 4
  1st line                               S T O P
  2nd line V E R
  3rd line M M I - 7 0 0 D 1 2 / 2 5 A
  4th line
  5th line
  6th line
  7th line M C M - 0 7 0 0 9 2 1 2 2 5 0 C
  8th line
  9th line
  10th line
  
```

Fig. 7-2. Version No. of the microprocessor

- (2) [1] key for displaying the history of the function modes  
Pressing this key displays the history of the principal operation commands (which represent function modes) sent from the mode controller to the mechanism controller.

Up to 8 histories of the function modes can be displayed on a line. A total of 16 histories of the function modes are available using two lines. Unless the unit is unplugged, the data are kept intact in memory even when the unit is turned off. The data will be "00" if there has been no emergency case since when the unit has been plugged in.

The data to be stored appears on the screen from left to right 1 byte by 1 byte, and "FF" appears to the right of the last data byte. The data byte continues from the right end on the 1st line to the left end on the 2nd line, and from the right end on the 2nd line to the left end on the 1st line. The last stored data of the function modes (which is the mode selected at present) appears on the left of "FF". That is, when "FF" appears at the left end on the 1st (or the 2nd) line, the last stored data appears at the right end on the 2nd (or the 1st respectively) line.

"FE" means there has been an emergency case at the data point. To check the type of the emergency case, refer to 5. (3) "[2] key for displaying the history of the emergency occurrence".

```

    1 2 3 4 5 6 7 8 9 10 1 2 3 4 5 6 7 8 9 20 1 2 3 4
  1st line                               S T O P
  2nd line F M H I S T
  3rd line           0 1 2 0 3 0 F E 5 0 6 0 7 0 6 0
  4th line           2 0 F F 0 0 0 0 0 0 0 0 0 0 0 0
  5th line
  6th line
  7th line
  8th line
  9th line
  10th line
  
```

Fig. 7-3. History of the function modes



Figure 7-3 shows that the function modes have changed as follows:

- 01 (Start up)
- 20 (Stop)
- 30 (Start up of side A)
- FE (An emergency occurred.)
- 50 (Searching a chapter)
- 60 (Playback)
- 70 (Slow speed scanning in normal direction)
- 60 (Playback)
- 20 (Stop) [The last function mode]

Table 7-5 lists the function modes.

*Table 7-5. List of the function modes*

---

00	Power OFF
01	Power ON and start up
10	Opening of the tray
20	Stop
30	Preparation for playback of side A
40	Preparation for playback of side B
50	Searching a chapter
51	Searching a frame/time
60	Playback
61	Pause
70	Slow speed scanning in normal direction
71	High speed scanning in normal direction
72	Slow speed scanning in reverse direction
73	High speed scanning in reverse direction
80	Still playback in normal direction
81	Step playback in normal direction
82	1/90 times speed playback in normal direction
83	1/30 times speed playback in normal direction
84	1/16 times speed playback in normal direction
85	1/8 times speed playback in normal direction
86	1/4 times speed playback in normal direction
87	1/2 times speed playback in normal direction
88	Normal (1 time) speed playback in normal direction
89	2 times speed playback in normal direction
8A	3 times speed playback in normal direction
8B	5 times speed playback in normal direction
8C	10 times speed playback in normal direction
90	Still playback in reverse direction
91	Step playback in reverse direction
92	1/90 times speed playback in reverse direction
93	1/30 times speed playback in reverse direction
94	1/16 times speed playback in reverse direction
95	1/8 times speed playback in reverse direction
96	1/4 times speed playback in reverse direction
97	1/2 times speed playback in reverse direction
98	Normal (1 time) speed playback in reverse direction
99	2 times speed playback in reverse direction
9A	3 times speed playback in reverse direction
9B	5 times speed playback in reverse direction
9C	10 times speed playback in reverse direction
FE	Appears for indicating an occurrence of emergency
FF	Appears next to the last data.

---

- (3) [2] key for displaying the history of the emergency occurrence

Pressing this key displays the history of the emergency occurrence with the codes sent from the mechanism controller to the mode controller.

The display type is the same as that for the history of the function modes. However, up to 8 histories using only one line are available in this case. The emergency code which appears just before "FF" corresponds to the data of "FE" in the history of the function modes, which is the closest one to "FF".

	1	2	3	4	5	6	7	8	9	10	1	2	3	4	5	6	7	8	9	20	1	2	3	4	
1st line																									S T O P
2nd line	E M G		H I S T																						
3rd line					6	0	7	4			6	4	6	1		6	4	6	4			7	4	F F	
4th line																									
5th line																									
6th line																									
7th line																									
8th line																									
9th line																									
10th line																									

Fig. 7-4. History of emergency

Figure 7-4 shows that the emergency has occurred in the following order because the data next to "FF" is 60 on the left of the line.

- 60 (Detection of lead-in point)
- 74 (Focusing failed)
- 64 (Detection of minimum chapter)
- 61 (Detection of lead-out point)
- 64 (Detection of minimum chapter)
- 64 (Detection of minimum chapter)
- 74 (Focusing failed) [The last emergency]

Table 7-6 lists the emergency codes.

Table 7-6. List of the emergency codes

◎ For operation of forced modes
01 Requirement of forced power off
02 Requirement of forced ejection of the tray
03 Requirement of stop
04 Requirement of stop when opening the door
05 Requirement of forced playback
06 Requirement of determination for mode change when power off
07 Requirement of power off when communication stops
◎ For operation of mechanisms
10 Detection of movement for pushing in the tray
11 Detection of no movement of the tray
20 Detection of no movement of the sled
30 Detection of no movement of the tilt
◎ For operation of Spindle control
40 No detection of the spindle FG
41 No achievement of continuous servo lock from FG servo to H servo
42 Above the high rotation limit
43 Below the low rotation limit
44 No complete stop operation for the spindle movement
45 Time over error for the spindle control operation
◎ For start up operation
50 Focusing failed
51 Focusing failed (with a disc loaded)
52 Detected as if the disc was an LD)
53 Focusing of LD8 failed
54 Reading of TOC failed on a disc of CD or CDV
◎ For playback operation
60 Detection of the lead-in code
61 Detection of the lead-out code
62 Detection of the lead-out of part A on CDV
63 Detection of a picture stop
64 Detection of the minimum chapter
65 Cannot read out subcode
66 Cannot read out Phillips code
◎ For search operation
70 Detection of over search
71 Detection of under search
72 Time over for the search operation
73 Holding of no peak level
74 Focusing failed
75 Detection of over search of the index
◎ In mode controller
80 Emergency time out
◎ For no emergency
FF Operating normally

(4) [3] key for displaying the information for repair service, sent from the mechanism controller

Pressing this key displays the information sent from the mechanism controller, which is necessary for repair service.

At present, the information listed in table 7-7 is available. Data numbers in the table correspond to the numbers on the 3rd line through the 5th line in figure 7-5.

Table 7-7. Information for repair service, sent form the mechanism controller

Data number	Data
(02)	Mode of mechanisms (internal mode of the mechanism controller) See the following section for details.

	1	2	3	4	5	6	7	8	9	10	1	2	3	4	5	6	7	8	9	20	1	2	3	4	
1st line																									STOP
2nd line	S	E	R	V	I	C	E																		
3rd line		(00)	(01)	(02)	(03)	(04)	(05)	(06)	(07)																
4th line		(08)	(09)	(10)	(11)	(12)	(13)	(14)	(15)																
5th line		(16)	(17)	(18)	(19)	(20)	(21)	(22)	(23)																
6th line																									
7th line																									
8th line																									
9th line																									
10th line																									

Fig. 7-5. Information for repair service sent form the mechanism controller

◎ About the operation modes of the mechanisms

The operation modes of the mechanisms are almost the same as those available with the unit as the function modes. But, there are several supplemental modes for the mechanisms.

The table below shows the differences of the operation modes of the mechanisms from the function modes.

Table 7-8. Operation modes of the mechanisms (Differences from the function modes)

Modes of the mechanisms	Functions
01	Initialization of the mechanism controller (Without operating the mechanisms)
03	In the process from power ON to power OFF
04	In the process from power OFF to power ON
05	Initialization of the mechanisms and related ICs.
10	Ejected status of the tray
11	In the process of ejection of the tray
12	In the process of loading of the tray
20	In stop status with the disc chucking up
21	In the process of chucking up form chucking of side A
22	In the process of chucking of side A from chucking up
23	In chucking status of side A
30	Until focusing of side A has been achieved
31	From lock of focusing to start-up of 0 search
32	In operation from side A/B to stop
33	In process of reversing side B form side A
40	Until focusing of side B has been achieved
74	In the process of scanning completion

(5) [4] key for displaying the trap-flags

Pressing this key displays the cause of "an abnormal power off" of the mode controller (this excludes when it is turned off with the power key).

The one byte at the right (2 digits of hexadecimal notation) is the flag which has specific meaning. The bit which corresponds to the cause of the last abnormal power off is set 1.

The one byte at the left is the flag for all (logic OR of) the causes of abnormal power off since when the unit has been plugged in.

Both the flags can be set cleared by pressing the clear key when the FL display is turned on and this screen is displayed.

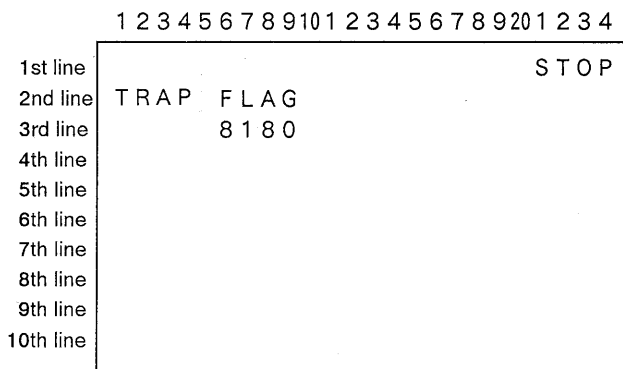


Fig. 7-6. Trap-flag

An example of the trap-flag shown in figure 7-6 shows that there have been two cases of abnormal power off; one by abnormal voltage level (bit 7) and the other by forced reset by the user (see the byte 81 in hexadecimal notation on the left). It also shows that the last abnormal power off has been caused by abnormal voltage level (bit 7) (see the byte 80 in hexadecimal notation on the right).

The following table shows the meaning of each flag bit.

Table 7-9. Trap-flag and bits and their meaning

Bit number (Pattern)	Causes
7 (80h)	Power off caused by abnormal voltage level
6 (40h)	Power off caused by abnormal communication with the mechanism controller
5 (20h)	Power off caused by an occurrence of emergency
4 (10h)	Forced power off by the user
3 (08h)	Spare (Not used)
2 (04h)	Resetting by self-check of the mode controller
1 (02h)	Resetting by self-check of the mode controller
0 (01h)	Forced resetting by the user

**Note:** Resetting, which is indicated with bits 0, 1, and 2 in the table, means that initializing all the mode controller except for the trap-flag.

(6) [5] key for displaying the key/remote control data

Pressing this key displays the key input data of the main unit and the input data by the remote control unit, using SIRCS codes. Note that this operation is effective on the remote control unit for MDPs only.

The one byte (2 digits in hexadecimal notation) on the left of the 3rd line in figure 7-7 is the SIRCS code of the key input data of the main unit, and that on the right is the SIRCS code of the input data by the remote control unit.

When no key is pressed or there is no input, "FF" appears. When two keys are pressed almost at the same time, the SIRCS code of the input data by the first pressed key will appear.

The keys to which SIRCS codes are not assigned (i.e. FL display key) are defined as internal keys, using the data of 80 or higher in hexadecimal notation.

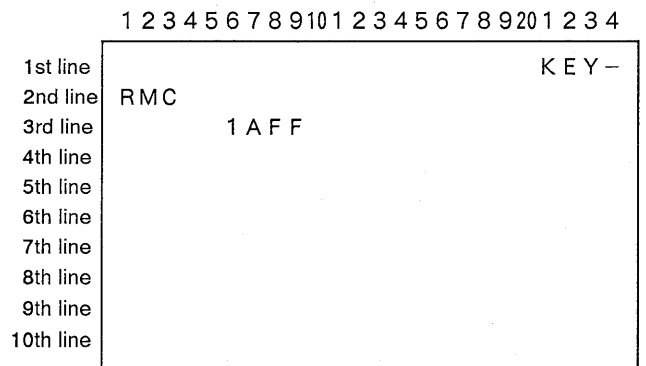


Fig. 7-7. Key and remote control data

An example in figure 7-7 shows that the playback key (1A in hexadecimal notation) on the main unit is pressed but there is no input (FF in hexadecimal notation) from the remote control unit.

However, note that, in some cases, the remote control unit generates SIRCS codes momentarily only at the moment when the key is pressed.

Table 7-10. List of SIRCS codes for MDPs

00	Numeral 1
01	Numeral 2
02	Numeral 3
03	Numeral 4
04	Numeral 5
05	Numeral 6
06	Numeral 7
07	Numeral 8
08	Numeral 9
09	Numeral 0
0B	Search/sledding
0C	Frame/time
0F	Clear
15	Power ON/OFF
16	Close/open of tray
17	Audio monitoring
18	Stop
19	Pause
1A	Playback
1B	High speed reverse direction scanning
1C	High speed normal direction scanning
1E	Low speed reverse direction scanning
1F	Low speed normal direction scanning
20	Still
21	Acceleration of speed
22	Deceleration of speed
23	Fast/slow motion playback in normal direction
24	Fast/slow motion playback in reverse direction
25	Playback by memory
28	Time display
29	Repeat
2B	Step in normal direction
2C	Step in reverse direction
30	Program
32	CX ON/OFF
34	ACS in normal direction
35	ACS in reverse direction
38	A-B repeat
39	Numeral + 10
3A	Screen display
40	Analog audio
41	Shuffle
44	Return
45	Automatic program
46	Automatic pause
47	1/one side/double side
5D	side A
5E	side B
68	Intro-scanning
7A	Picture enhancement
81	FL display ON/OFF
82	LD quick start

FF Appears when there is no input.

(7) [6] key for displaying the information on communication with the mechanism controller

Pressing this key displays the communication data with the mechanism controller.

The data transmitted from the mode controller to the mechanism controller appears on the 3rd line through the 5th line. The data transmitted from the mechanism controller to the mode controller appears on the 7th line through the 9th line. The exclamation marks ! at the left on the 8th and the 9th lines indicate that the communication is carried out successfully. Question mark ? appears if communication stops. A bracket mark [ ■ ] appears if communication stops after carrying out once the communication on the purpose of servicing.

	1	2	3	4	5	6	7	8	9	10	1	2	3	4	5	6	7	8	9	20	1	2	3	4	
1st line																									
2nd line	M	E	S	S																					
3rd line	S	(00) (01)	(02) (03)	(04) (05)	(06) (07)																				
4th line		(08) (09)	(10) (11)	(12) (13)	(14) (15)																				
5th line		(16) (17)	(18) (19)	(20) (21)	(22) (23)																				
6th line																									
7th line	R	(00) (01)	(02) (03)	(04) (05)	(06) (07)																				
8th line	!	(08) (09)	(10) (11)	(12) (13)	(14) (15)																				
9th line	!	(16) (17)	(18) (19)	(20) (21)	(22) (23)																				
10th line																									

Fig. 7-8. Information on communication with the mechanism controller

The table below shows some communication information.

Table 7-11. Principal communication information

Data from the mode controller to the mechanism	
(1)	The function mode at present (next)
(2)	The function mode of final purpose
(03 - 05)	Target address of search
Data from the mechanism controller to the mode controller	
(01)	The function mode at present (next)
(06)	The flag for completion of function mode change (0 bit)
(13)	Current chapter/track number
(14)	Current index number
(15 - 17)	Current address

## 7-6. POWER SUPPLY CHECK (PS-709 BOARD)

Mode	Stop
Measuring equipment	Digital voltmeter
UNREG +16 V check	
Measurement point	Pin ① of CN051 (Pin ②, GND)
Specified value	$16.0 \pm 1.0$ V
UNREG -16 V check	
Measurement point	Pin ③ of CN051 (Pin ③, GND)
Specified value	$-16.0 \pm 1.0$ V
REG +8 V check	
Measurement point	Pin ③ of CN053 (Pin ②, GND)
Specified value	$8.0 \pm 0.5$ V
REG -8 V check	
Measurement point	Pin ① of CN053 (Pin ③, GND)
Specified value	$-8.0 \pm 0.5$ V
POWER MUTE check	
Measurement point	Pin ④ of CN051 (Pin ②, GND)
Specified value	$17.0 \pm 1.0$ V
EVER 5 V check	
Measurement point	Pin ④ of CN031 (Pin ②, GND)
Specified value	$5.0 \pm 0.3$ V

- Confirm that the power supply voltages satisfy the respective specified values.

## 7-7. SYSTEM CONTROL SYSTEM ADJUSTMENT

### 7-7-1. Microprocessor Clock Adjustment (MB-702 Board)

Mode	Stop
Measurement point	Pin ② of IC005
Measuring equipment	Frequency counter
Adjusting Element	CT001
Specified value	$14,318,180 \pm 40$ Hz

#### Adjustment method:

- 1) Adjust CT001 to  $14,318,180 \pm 40$  Hz.

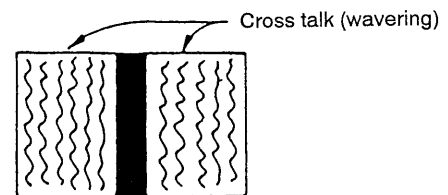
## 7-8. SERVO SYSTEM ADJUSTMENT

### 7-8-1. Side A Tilt Balance Adjustment (MB-702 Board)

Mode	Still
Signal	Frame 770 (V BAR)
Measurement point	Monitor TV
Measuring equipment	Monitor TV
Adjustment element	RV401
Specified value	Cross talk (waving) with minimum as well as the same level.

#### Adjustment method:

- 1) Select STILL (▶◀) mode.
- 2) Search the frame 770 and apply a vertical bar signal.
- 3) Adjust RV401 so that the right and left cross talks (waving) become minimum as well as the same level.



Adjust so that cross talks appeared on the both sides on the monitor display become minimum as well as the same level.

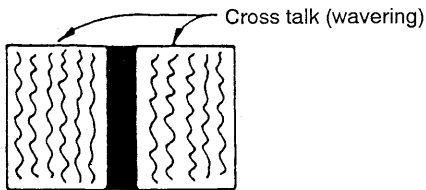
Fig. 7-9.

### 7-8-2. Side B Tilt Balance Adjustment (MB-702 Board)

Mode	Still
Signal	Frame 770 (V BAR)
Measurement point	Monitor TV
Measuring equipment	Monitor TV
Adjustment element	RV402
Specified value	Cross talk (wavering) with minimum as well as the same level.

#### Adjustment method:

- 1) Select STILL (▶◀) mode.
- 2) Search the frame 770 and apply a vertical bar signal.
- 3) Adjust RV402 to minimize the right and left cross talks (wavering) level.



Adjust so that cross talks appeared on the both sides on the monitor display become minimum as well as the same level.

Fig. 7-10.

### 7-9. VIDEO SYSTEM ADJUSTMENT

#### 7-9-1. Video Output Level Adjustment (MB-702 Board)

Mode	Still
Signal	Frame 4100 (Color bar)
Measurement point	J201 (VIDEO OUT terminal) (Terminated to 75 Ω )
Measuring equipment	Oscilloscope
Adjustment element	RV001
Specified value	$1.00 \pm 0.02$ Vp-p

#### Adjustment method:

- 1) Select STILL (▶◀) mode.
- 2) Search the frame 4100 and apply a vertical bar signal.
- 3) Adjust RV001 for  $1.00 \pm 0.02$  Vp-p.

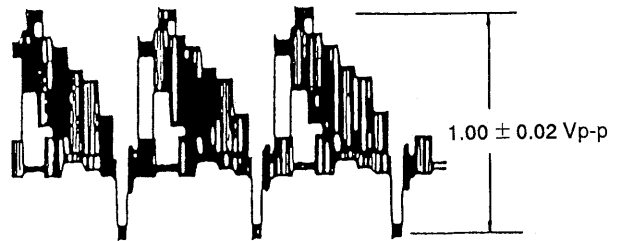
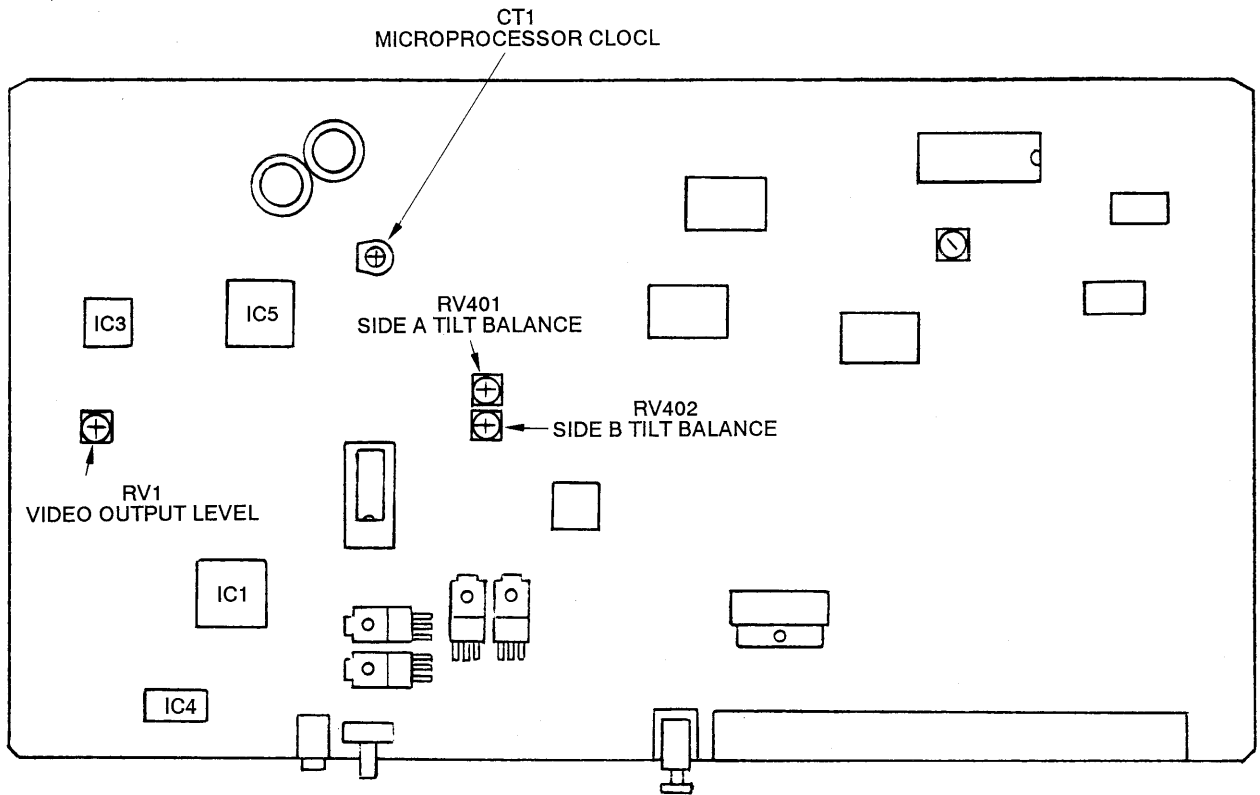


Fig. 7-11.

# 7-10. PARTS ARRANGEMENT DIAGRAM FOR ADJUSTMENT

MB-702 Board (Component Side)





**MDP-A1/600**

# MDP-A1/600

## RMT-M19A/M19B

# SONY<sup>®</sup> SERVICE MANUAL

*US Model*  
*Canadian Model*  
*MDP-600*  
*E Model*  
*Tourist Model*  
*PX Model*  
*MDP-A1*

## SUPPLEMENT-1

File this supplement with the service manual.

**Subject:**

- Removal and installation addition.
- Adjustment after the attachment of the optical pick-up block.
- ~~● Correction in the electrical adjustments.~~

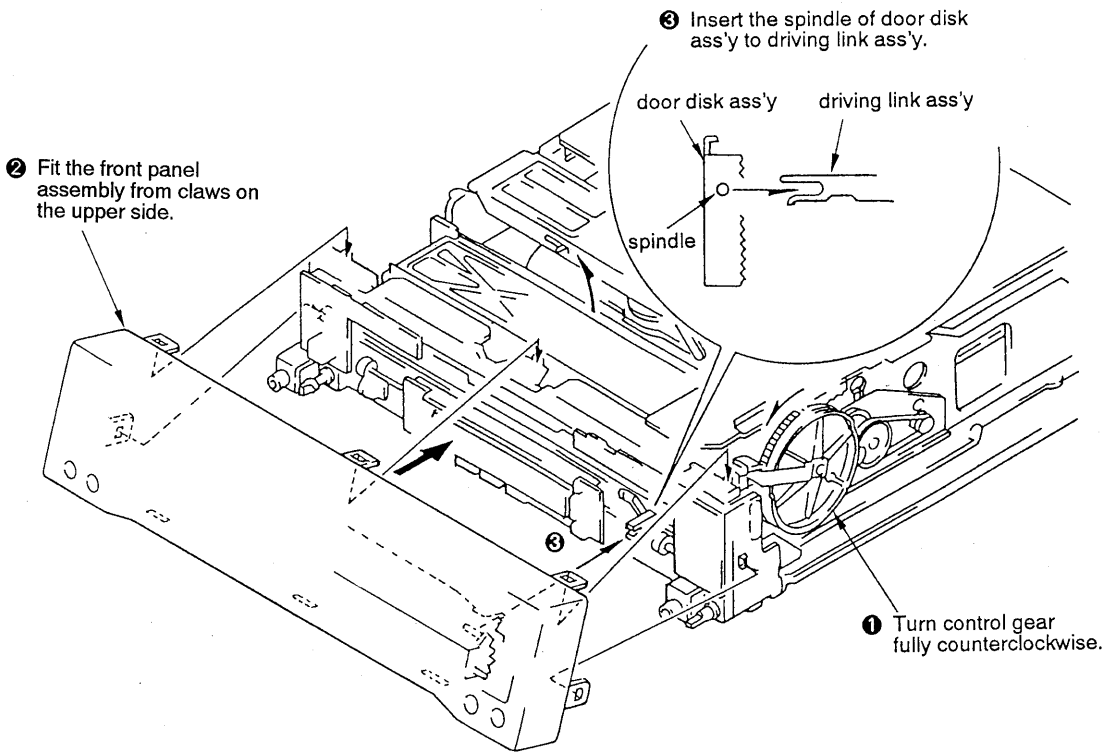
### TABLE OF CONTENTS

<u>Section</u>	<u>Title</u>	<u>Page</u>
1.	REMOVAL AND INSTALLATION ADDITION AND ADJUSTMENTS	
1-1.	Front Panel Assembly .....	2
1-2.	Chucking Assembly .....	2
1-3.	Optical Pick-up Block .....	3
1-4.	Adjustment after the Attachment of the Optical Pick-up Block .....	6
1-4-1.	Jigs and Tools .....	6
1-4-2.	CD Adjustment .....	6
1-4-3.	LD Adjustment .....	8
1-4-4.	Side B Adjustment .....	9
1-4-5.	Parts Arrangement Diagram for Adjustments .....	10
1-5.	Control Gear .....	11
1-6.	Turntable Assembly Height Adjustment .....	12
<del>2.</del>	<del>CORRECTION IN THE ELECTRICAL ADJUSTMENTS .....</del>	<del>13</del>

# 1. REMOVAL AND INSTALLATION ADDITION AND ADJUSTMENTS

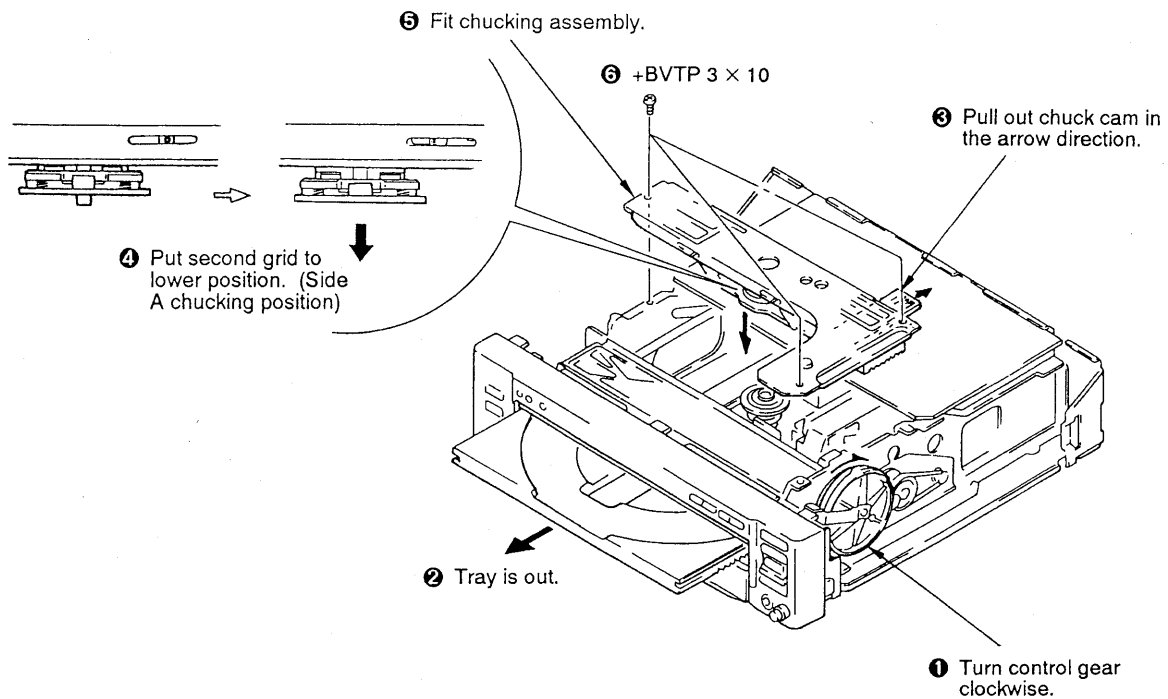
## 1-1. FRONT PANEL ASSEMBLY

- FOR REMOVAL, SEE PAGE 24 OF THE SERVICE MANUAL (9-973-397-11)
- FITTING



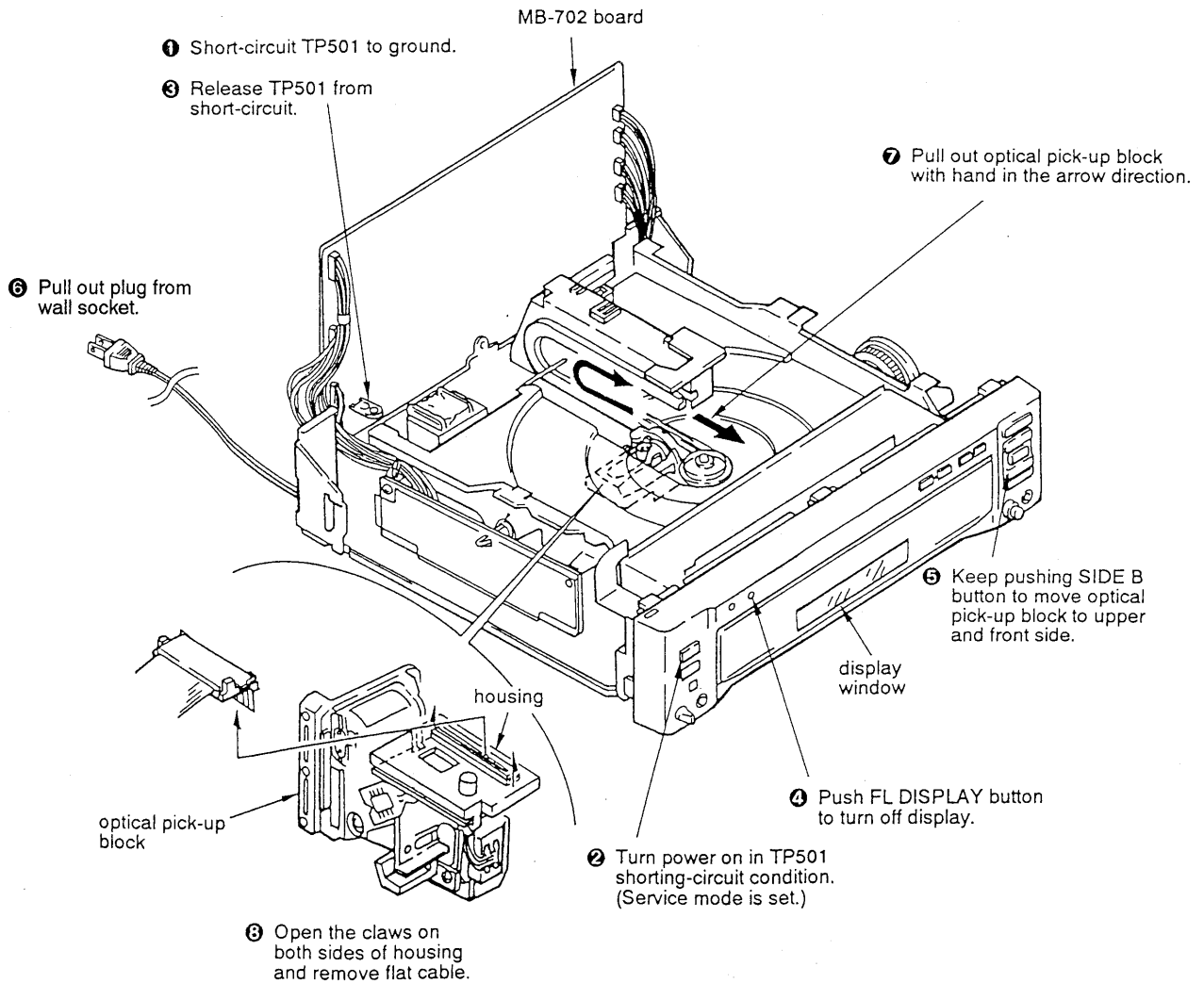
## 1-2. CHUCKING ASSEMBLY

- FOR REMOVAL, SEE PAGE 25 OF THE SERVICE MANUAL (9-973-397-11)
- FITTING

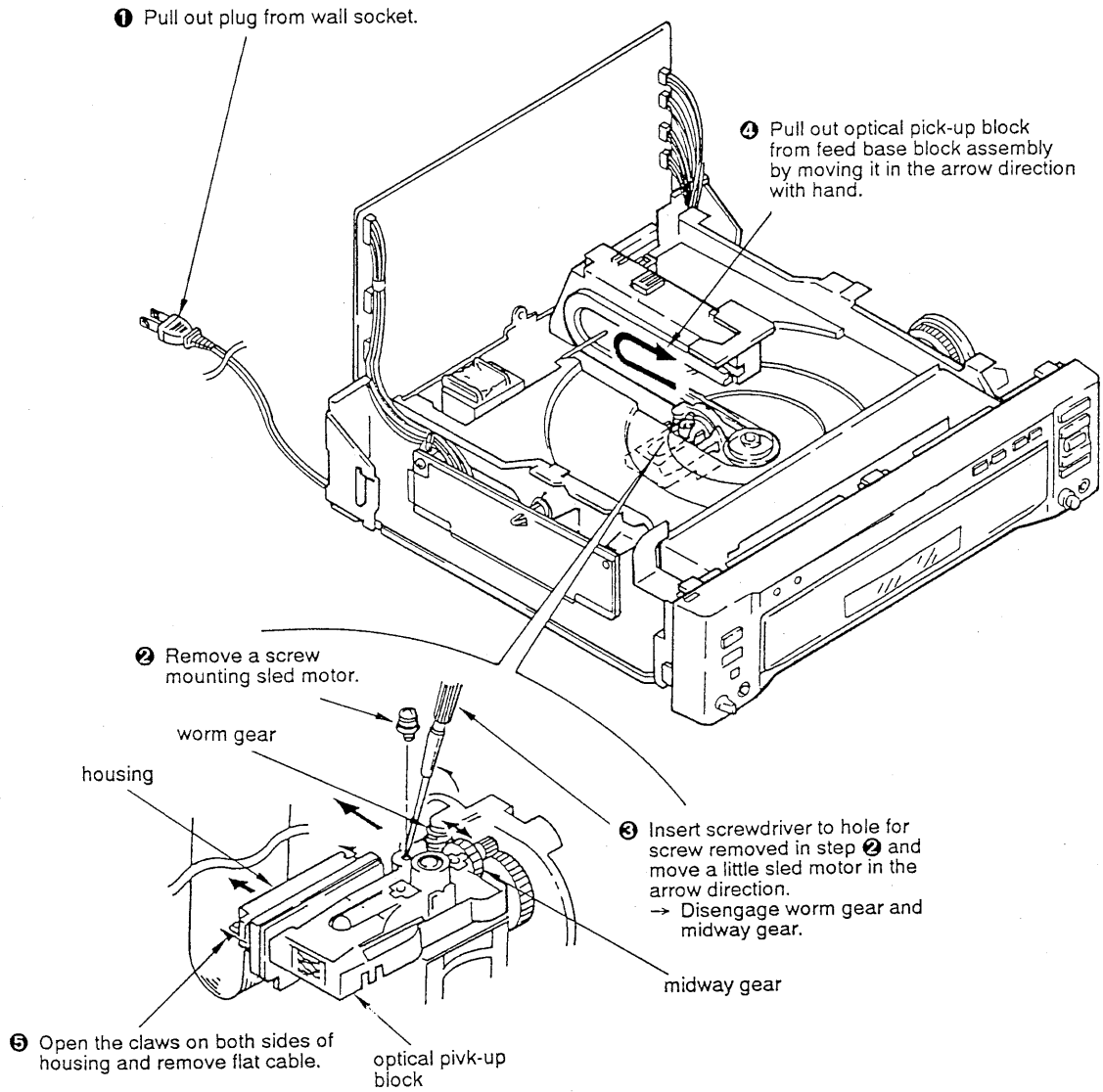


### 1-3. OPTICAL PICK-UP BLOCK

#### • REMOVAL I (OPTICAL PICK-UP BLOCK MOTOR OPERATES)

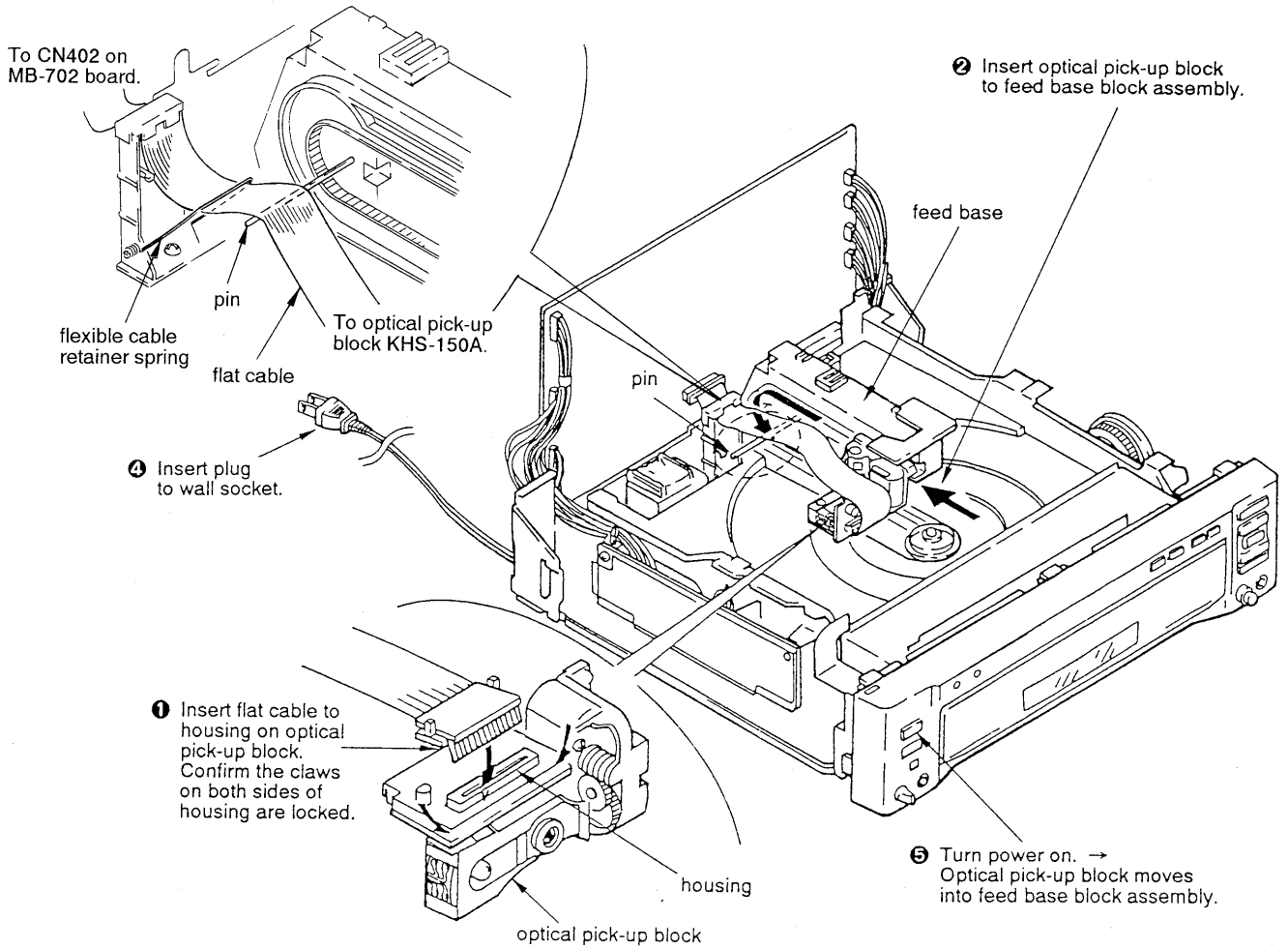


• **REMOVAL II**  
**(OPTICAL PICK-UP BLOCK MOTOR DOESN'T OPERATES)**

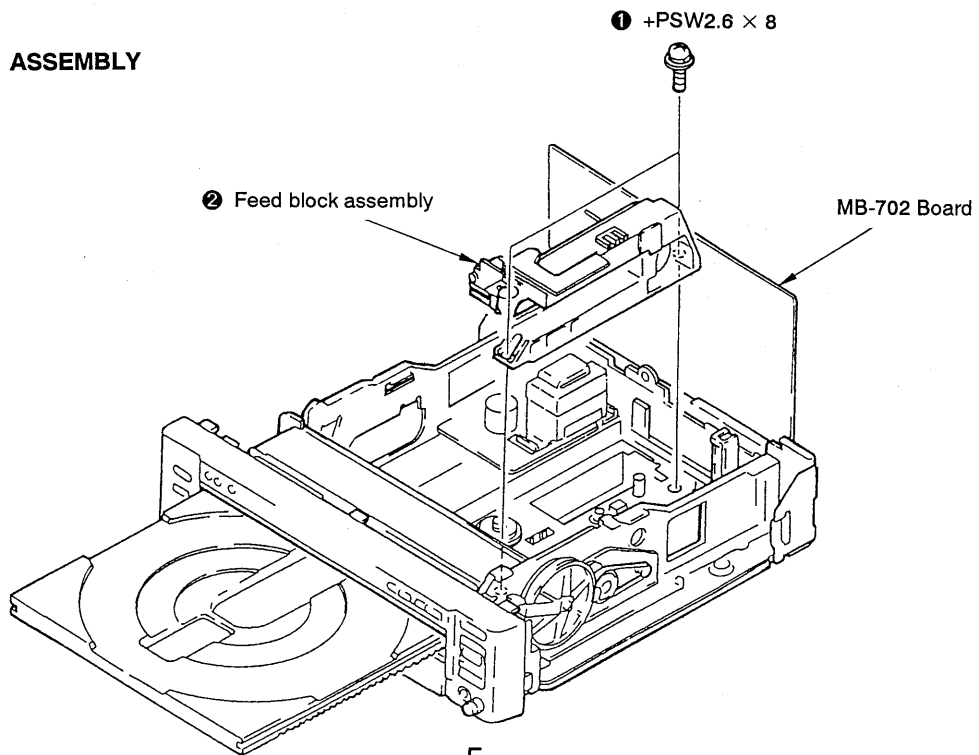


● **INSTALLATION**

- ③ Confirm the flat cable goes through the flexible cable retainer spring and over the pin.



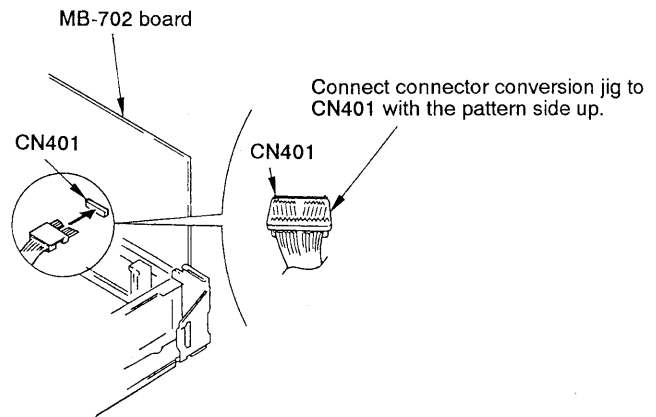
● **FEED BLOCK ASSEMBLY**



## 1-4. ADJUSTMENT AFTER THE ATTACHMENT OF THE OPTICAL PICK-UP BLOCK

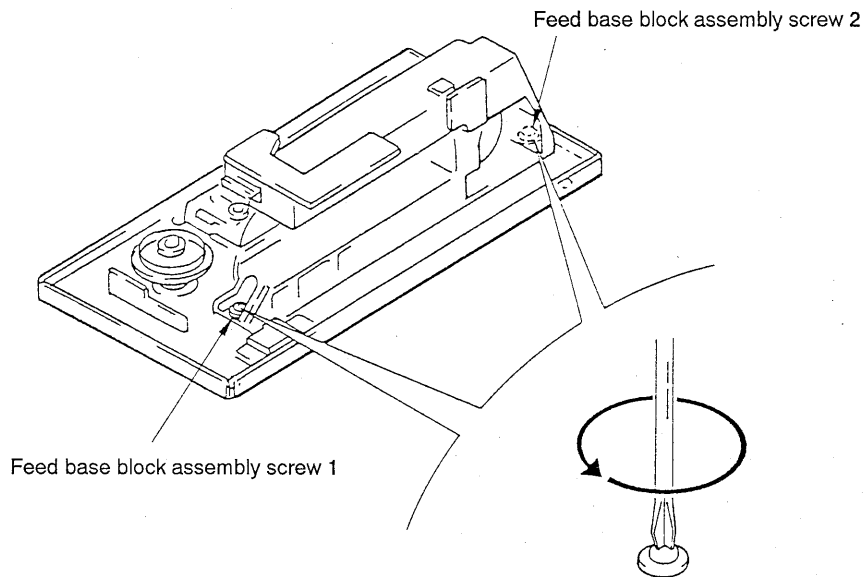
### 1-4-1. JIGS AND TOOLS

- Hexagonal wrench (Tangential screwdriver: 7-700-766-04)
  - Oscilloscope
  - Connector conversion jig (J-6082-059-B)
  - Alignment disc Ref. 8 (HVL8: 8-797-008-00)/LD YEDS-18 (3-702-101-01) or an equivalent/CD
  - Decentering screwdriver 4  $\phi$  (J-6095-029-A)
- \* Insert the terminal of the connector conversion jig to CN401 of the MB-702 Board.



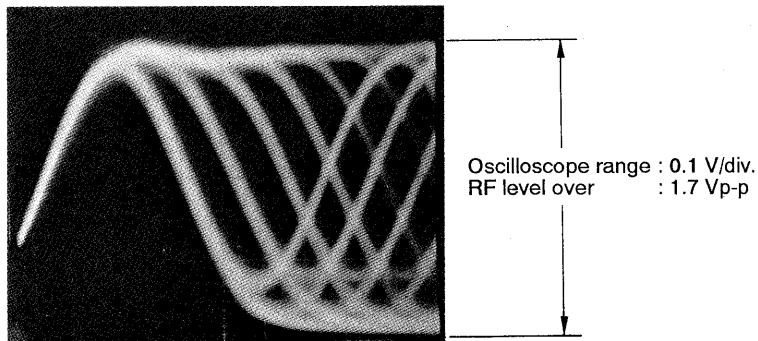
### 1-4-2. CD ADJUSTMENT

- ① Loosen the screws of feed base block assembly.

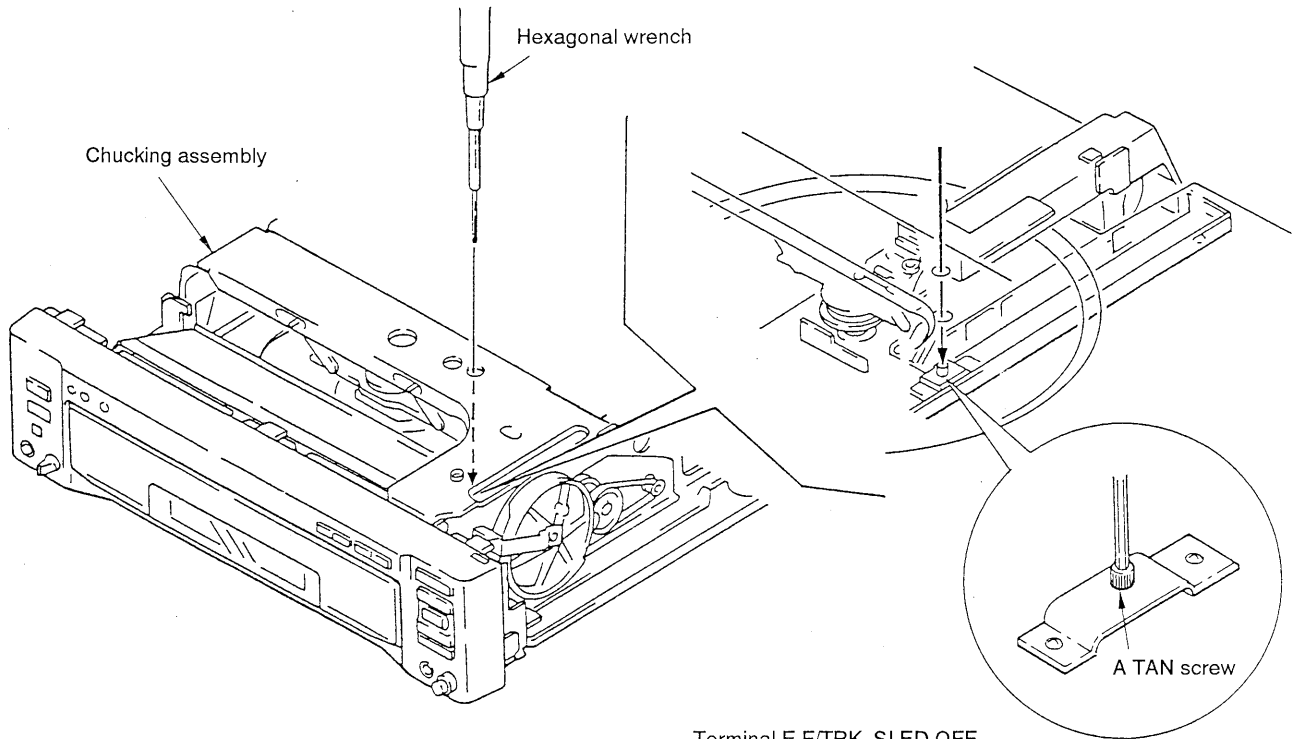


Loosen the screw about a turn from the state of being tight.

- ② Playback the CD to press the Pause button about 3 seconds later.
- ③ Connect the oscilloscope to LD RF of the connector conversion jig to see if the waveform shown below appears.

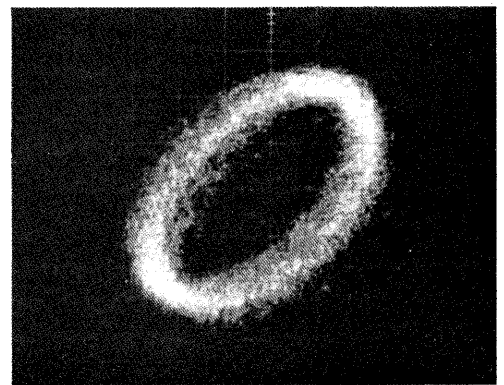
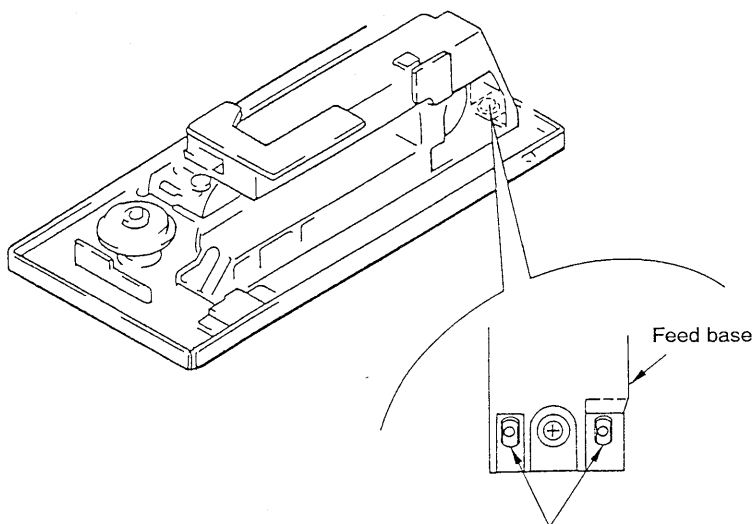


- ④ Insert the A TAN screw with hexagonal wrench 2.6 into the hole of top surface of chucking assembly to adjust so that RF Level is maximum. (Over 1.7 Vp-p)



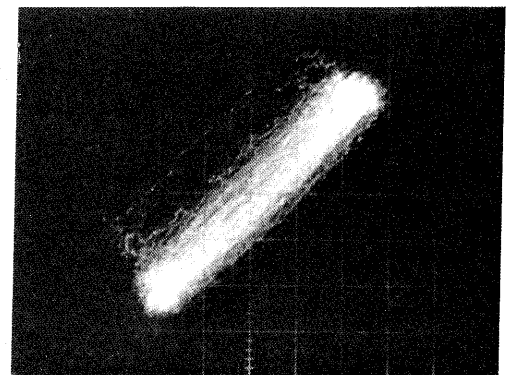
- ⑤ Insert decentering screwdriver into the feed base block assembly for RD adjustment.

Terminal E,F/TRK, SLED OFF  
 Oscilloscope X/Y Lissagous range  
 Difference within  $35^\circ$  with each 20 mV/div.  
 Before the adjustment.



↓ Make the figure straight.

After the adjustment.



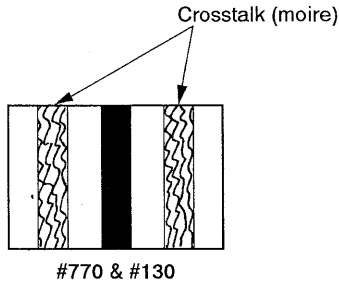
Insert the decentering screwdriver to either one of the holes for adjustment.

- ⑥ Take the DISC out to tighten the 2 screws of the feed base.  
 ⑦ Apply suitable locking compound to A TAN screw.



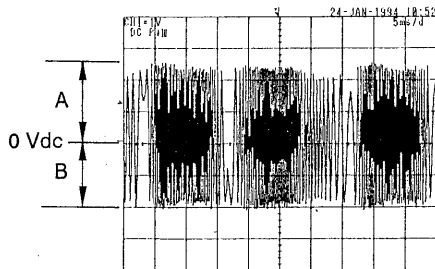
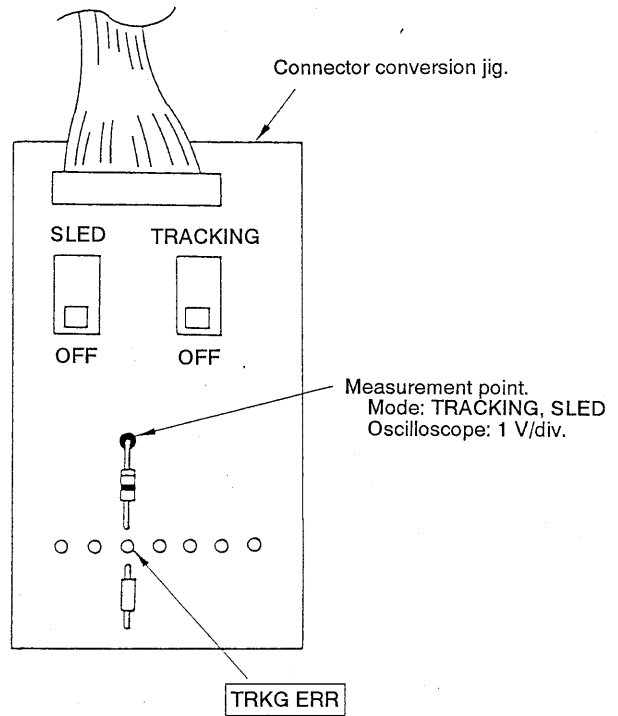
**1-4-3. LD ADJUSTMENT**

- ① Play with LD DISC.
- ② Pause at #770.  
Check that the vertical bar appears on TV monitor and turn RV401 to make right and left crosstalk (moire) the same level and minimum.



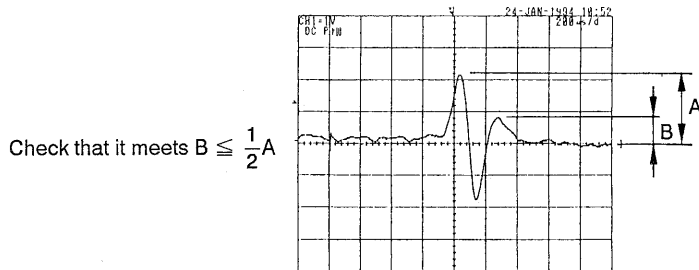
- ③ Pause at #130 to check that the moire is minimum. (Do not turn RV401 at this time.)
- ④ Tracking gain and focus gain adjustments are not necessary. – Already adjusted at the optical pick-up block side –
- ⑤ Check the tracking bal.  
Measure the registance at the Y terminal of TRACKING ERR on jig with oscilloscope.

**Check the TRACKING BAL.**



Check that it meets  $-5 \leq \frac{A - B2}{(A+B)} \times 100 (\%) \leq 8$

Then turn on the TRACKING and SLED to check the wave-form of 1 track jump in STILL.

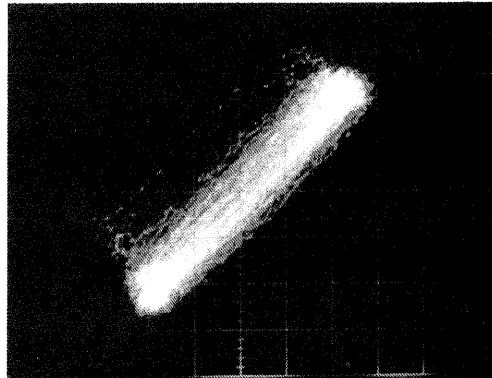


Check that it meets  $B \leq \frac{1}{2}A$

**1-4-4. SIDE B ADJUSTMENT**

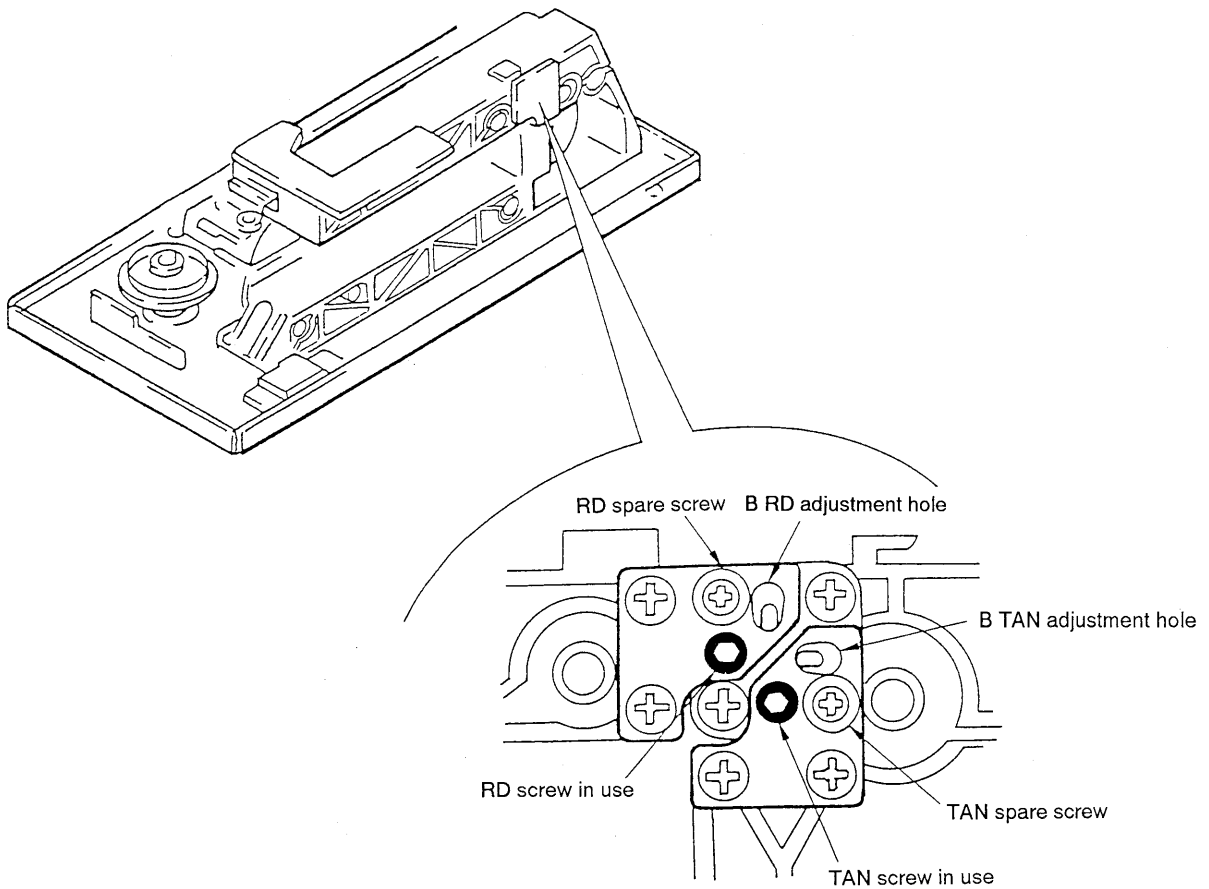
- ① Loosen RD of side B on the feed base and TAN screw. (Hexagonal screw 2.6)
- ② Insert the DISC to playback with side B at CAV side and pause at #770. Check that the same block bar as the crosstalk adjustment at the side A on monitor.
- ③ Insert the tip of the decentering screwdriver to the B TAN adjustment hole to adjust that the crosstalk is minimum.
- ④ Then in the same way, adjust with RV402 so that the crosstalk is minimum, and at this time the level on track jump should be maximum.
- ⑤ Check that crosstalk at #130 is minimum.
- ⑥ Send the disc to Chapter 3 (#2201) to pause.

- ⑦ Turn off the SLED and TRACKING to adjust inserting the decentering screwdriver to BRD adjustment hole so that the Lissagous waveform meets the standard. Make not more than 1 turn in the TAN adjustment.



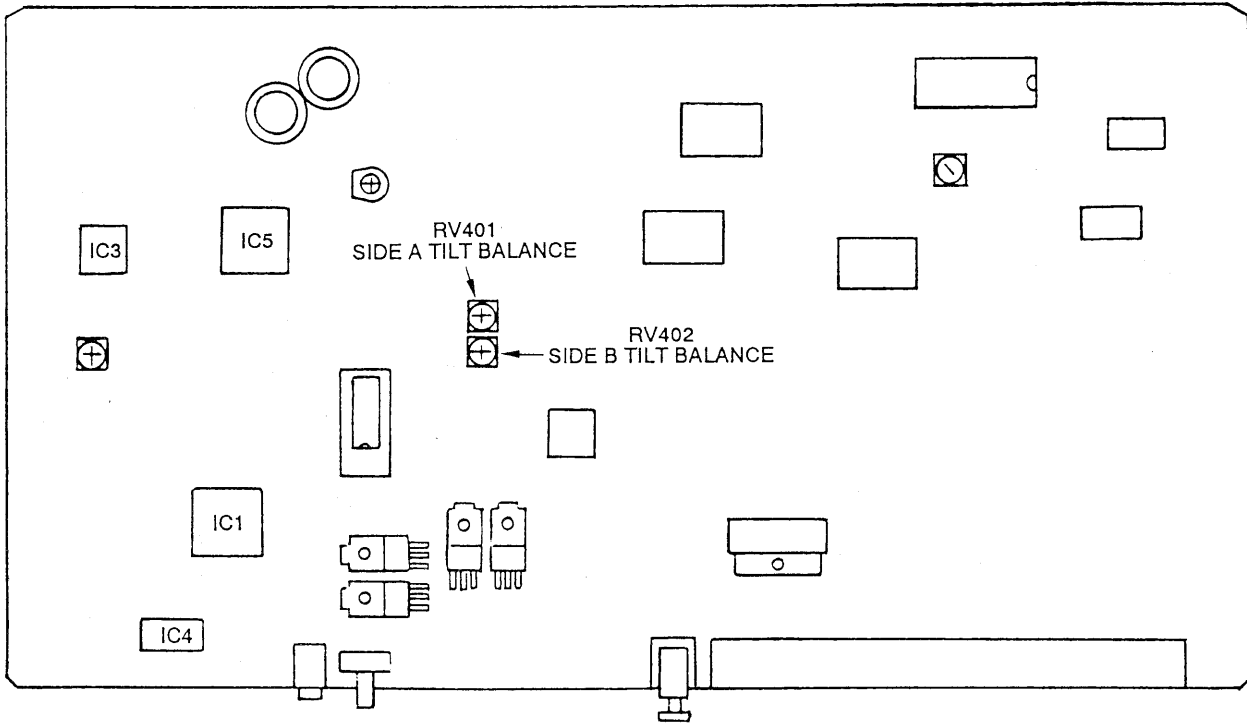
Jig terminal : E, F  
 Oscilloscope : X/Y lissagous 20 mV/div.  
 Phase difference : Within 35°

- ⑧ Take out the disc to tighten B TAN, RD screw.



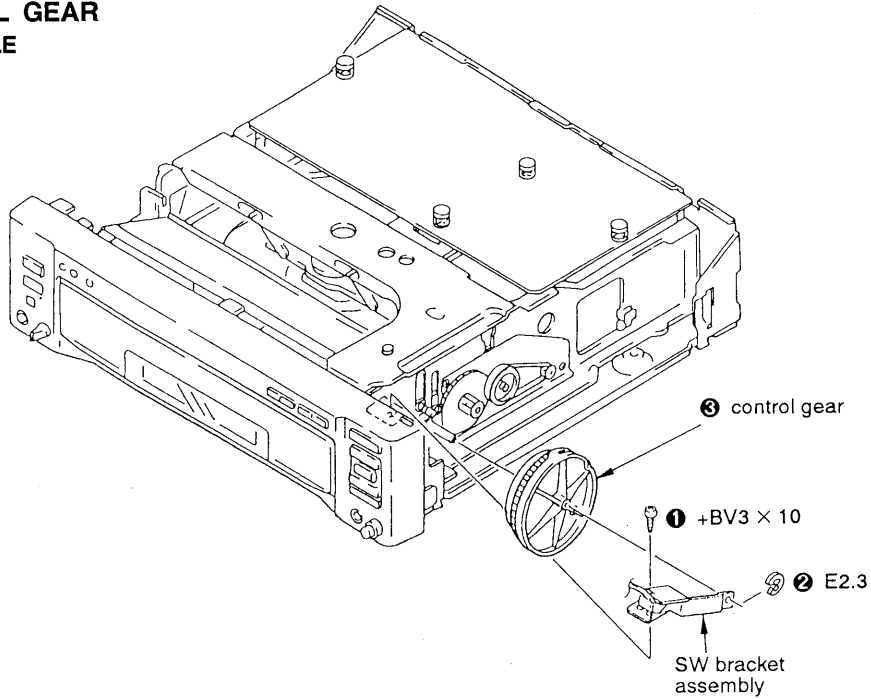
1-4-5. PARTS ARRANGEMENT DIAGRAM FOR ADJUSTMENTS

MB-702 Board (Component Side)



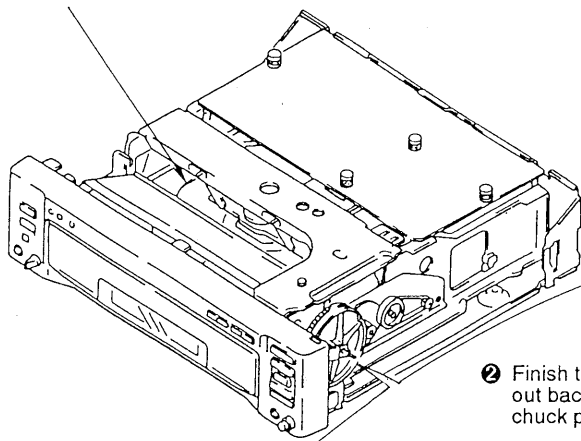
## 1-5. CONTROL GEAR

### • DISASSEMBLE



### • FITTING

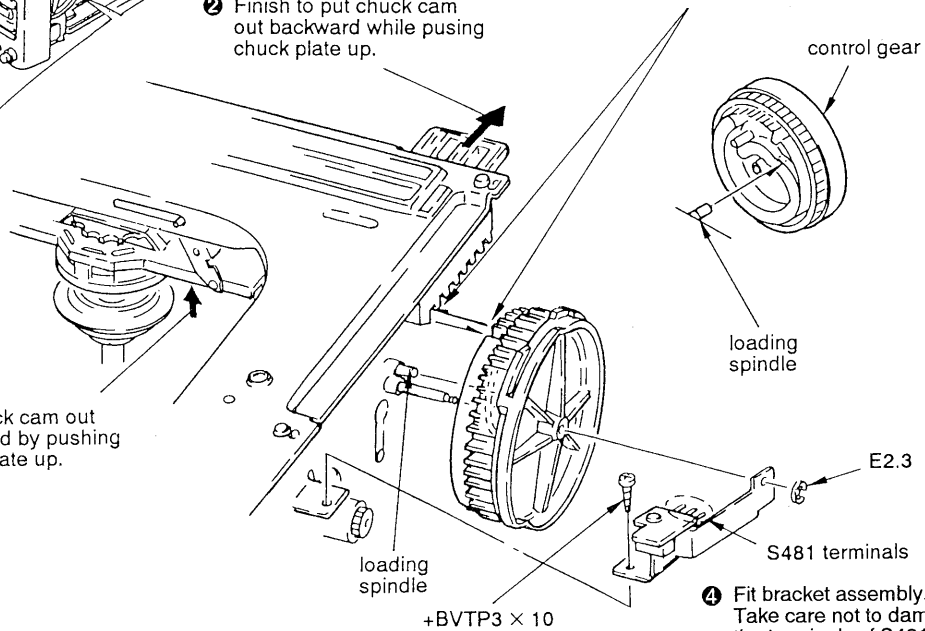
- 1 Make tray holding in the set.



- 2 Put chuck cam out backward by pushing chuck plate up.

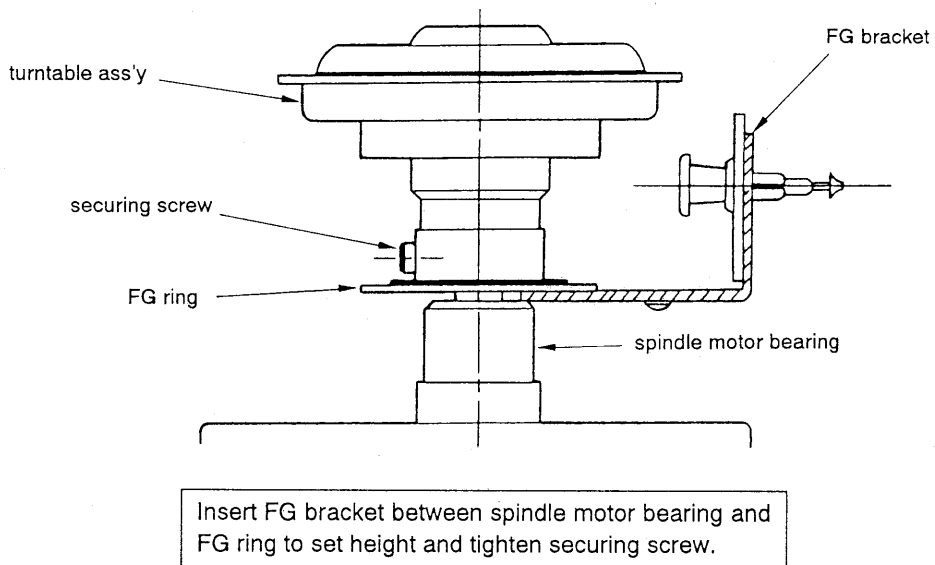
- 2 Finish to put chuck cam out backward while pushing chuck plate up.

- 3 Fit control gear so that its left end tooth on inner side engages the left end groove on chuck plate gear. At this time, insert loading spindle to loading groove.



**1-6. TURNTABLE ASSEMBLY HEIGHT ADJUSTMENT**

1. Open the tray by turning the control gear secured on the right side of the set clockwise.
2. Remove chucking assembly.
3. Remove FG bracket with FG board.
4. Replace turntable assembly.  
Adjust turntable assembly height using FG bracket (1 mm thickness) as followings.



5. Fit FG bracket with FG board in its original position.