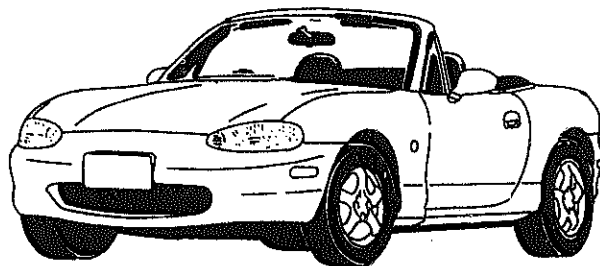


Parts Catalog

Mazda MX-5 MIATA
U.S.A.
('99 ▶)



NB3534-100001-

Jan. '00 (REVISED)

Catalog No. AU-NA07-05

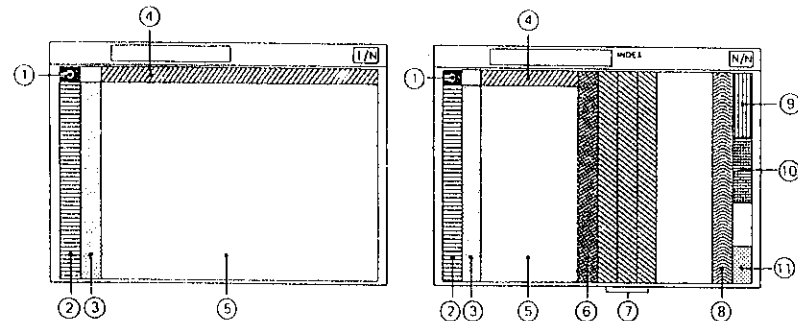


mazda

©2000 Mazda Motor Corporation

LAYOUT OF CONTENTS / DISPOSITION TYPOGRAPHIQUE DE CONTENU / DISPOSICIÓN DEL CONTENIDO / ANORDNUNG DES INHALTS

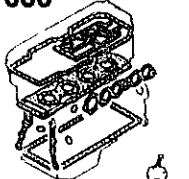
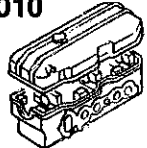
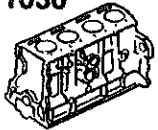
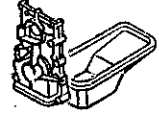

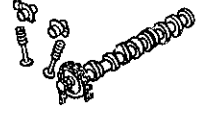

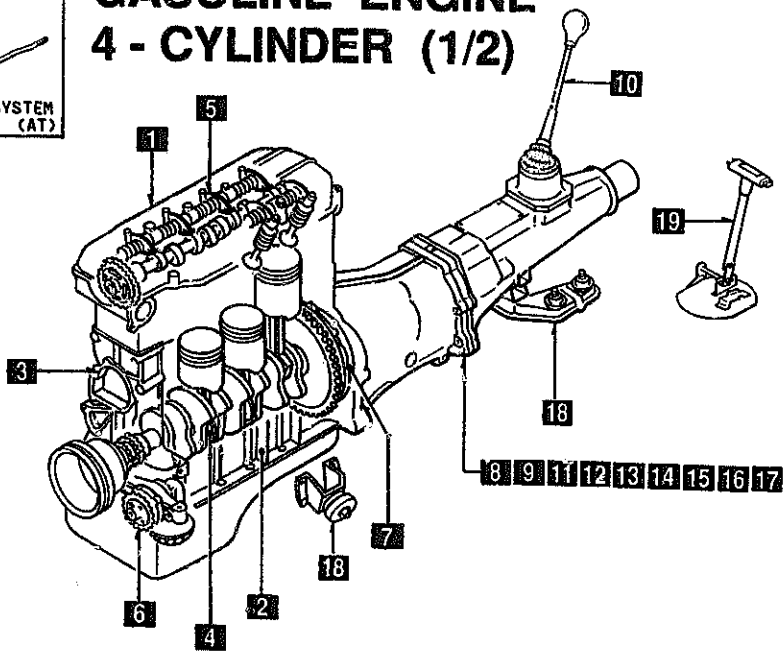
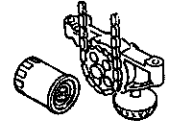

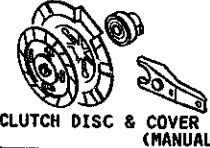
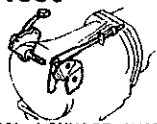
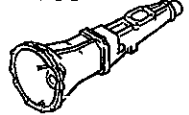
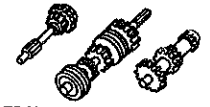
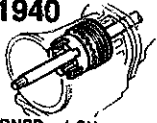
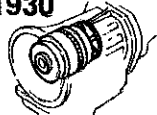

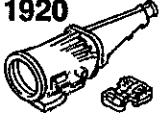

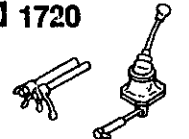
- The following is a typical example of the layout of contents on Mazda microfiche parts catalog
- Voici un exemple typique de la disposition typographique de contenu dans les microfiches de catalogue des pièces de Mazda
- El siguiente es un ejemplo típico de la disposición del contenido en una microficha del catálogo de repuestos de Mazda.
- Folgendes ist ein typisches Beispiel der Inhaltsanordnung des Mazda-Mikrofiche Teilekatalogs.



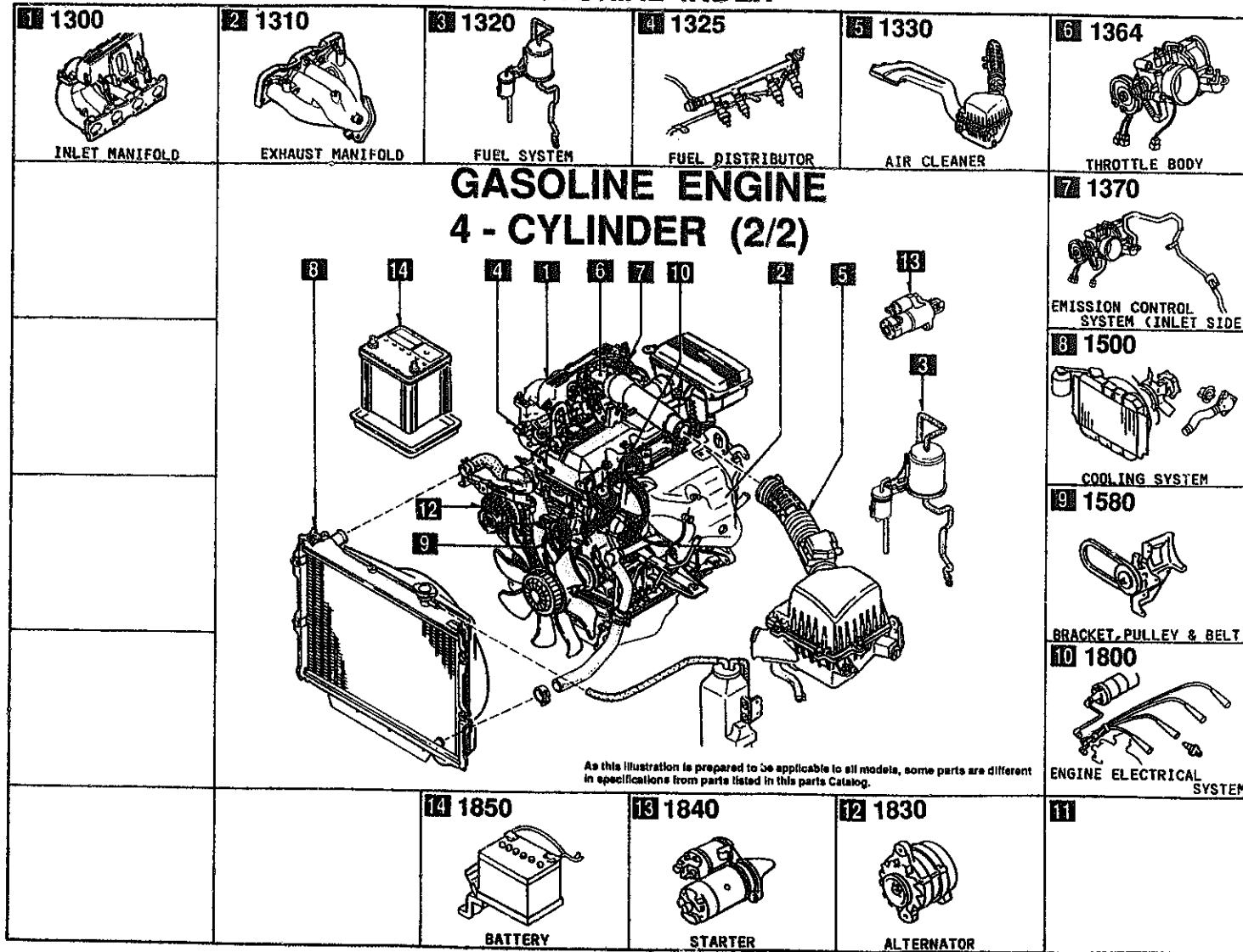
Remark : The items listed under ④ have been deleted from each fiche since Dec. '93

- | | | |
|---|---|---|
| ① • Layout of contents
• Disposition Typographique de Contenu
• Disposición del contenido
• Anordnung des Inhalts | ② • Pictorial Index
• Index par Schemas
• Índice Gráfico
• Illustrierter Index | ③ • Master Section No. Index
• Index des Numéros des Sections Totale
• Índice del Número de la Sección Maestra
• Hauptabschnittsnummer-Index |
| ④ • Section No. Index for the Column
• Index des Numéros des Sections pour les Colonnes
• N° de la Sección para el Índice
• Abschnittsnummer-Index für die Spalten | ⑤ • Illustration & Text
• Illustrations et Textes
• Ilustración y Texto
• Abbildung und Text | ⑥ • Part No. Index
• Index des Numéros des Pièces
• Índice del N° de Pieza
• Teile-Nr. Index |
| ⑦ • Alphabetical Index
• Index Alphabétique
• Índice Alfabético
• Alphabetischer Index | ⑧ • Model Identification
• Identification des Modèles
• Identificación del Modelo
• Modell-Kennzeichnung | ⑨ • Vehicle Identification System
• Système d'Identification de Véhicule
• Sistema de Identificación de Vehículo
• Fahrzeug-Identifikations-system |

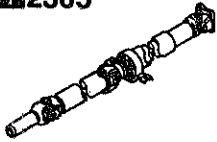
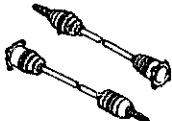


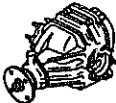



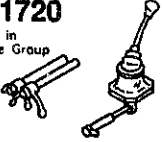
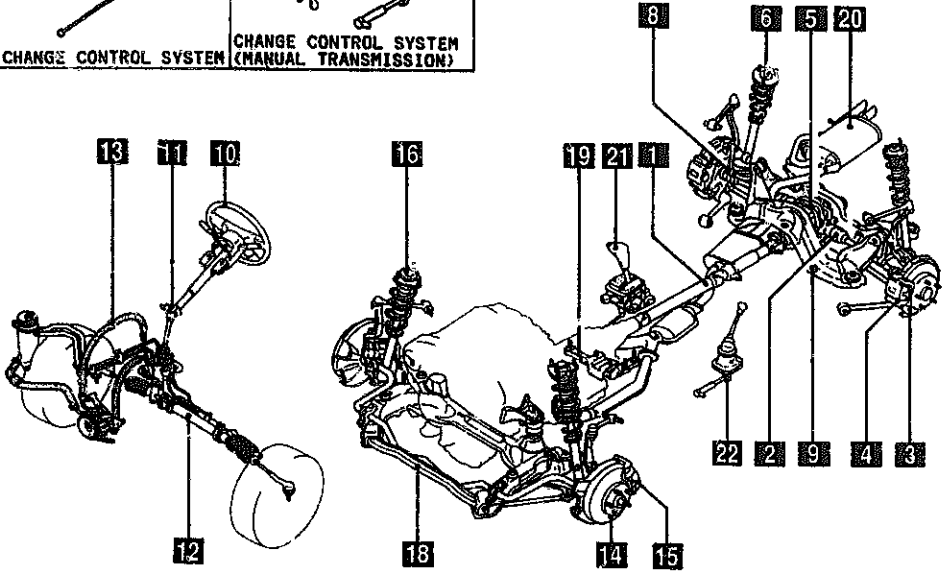

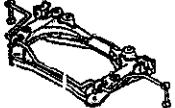





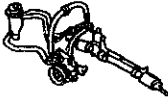



PICTORIAL INDEX

<p>1000</p>  <p style="text-align: center;">ENGINE & GASKET SETS</p>	<p>1 1010</p>  <p style="text-align: center;">CYLINDER HEAD & COVER</p>	<p>2 1030</p>  <p style="text-align: center;">CYLINDER BLOCK</p>	<p>3 1040</p>  <p style="text-align: center;">OIL PAN & TIMING COVER</p>	<p>4 1100</p>  <p style="text-align: center;">PISTON, CRANKSHAFT & FLYWHEEL</p>	<p>5 1200</p>  <p style="text-align: center;">VALVE SYSTEM</p>
<p>18 3900</p>  <p style="text-align: center;">ENGINE & T/MISSION MOUNTINGS</p>	<p>GASOLINE ENGINE 4 - CYLINDER (1/2)</p>  <p style="text-align: center; font-size: small;">As this illustration is prepared to be applicable to all models, some parts are different in specifications from parts listed in this parts Catalog.</p>				<p>6 1400</p>  <p style="text-align: center;">OIL PUMP & FILTER</p>
<p>17 1960</p>  <p style="text-align: center;">GASKET & SEAL KIT (AUTOMATIC)</p>	<p>19 4600</p> <p style="text-align: center; font-size: x-small;">Given in Chassis Group</p> <p style="text-align: center;">CHANGE CONTROL SYSTEM (AT)</p>				<p>7 1600</p>  <p style="text-align: center;">CLUTCH DISC & COVER (MANUAL)</p>
<p>16 1950</p>  <p style="text-align: center;">MANUAL LINKAGE SYSTEM (AUTOMATIC)</p>	<p>8 1700</p>  <p style="text-align: center;">TRANSMISSION CASE (MANUAL)</p>				<p>9 1710</p>  <p style="text-align: center;">TRANSMISSION GEARS (MANUAL)</p>
<p>15 1940</p>  <p style="text-align: center;">GOVERNOR, LOW & REVERSE PISTON (AUTOMATIC)</p>	<p>14 1930</p>  <p style="text-align: center;">CLUTCHES & PLANETARY GEARS (AUTOMATIC)</p>	<p>13 1925</p>  <p style="text-align: center;">CONTROL VALVE (AUTOMATIC)</p>	<p>12 1920</p>  <p style="text-align: center;">TRANSMISSION CASE & MAIN CONTROL SYSTEM (AUTOMATIC)</p>	<p>11 1910</p>  <p style="text-align: center;">TORQUE CONVERTER, OIL PUMP & PIPINGS (AUTOMATIC)</p>	<p>10 1720</p>  <p style="text-align: center;">CHANGE CONTROL SYSTEM (MANUAL)</p>

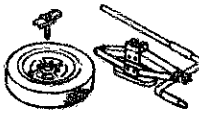

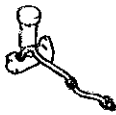



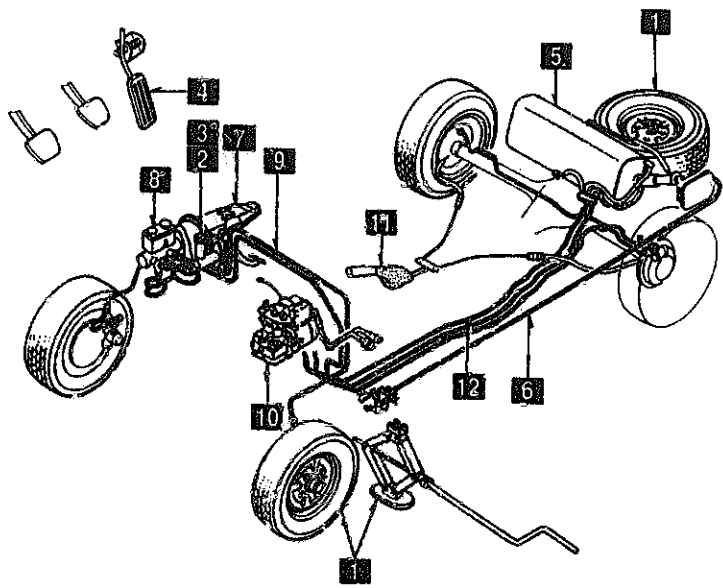
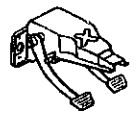
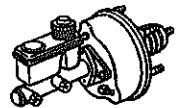




PICTORIAL INDEX



PICTORIAL INDEX







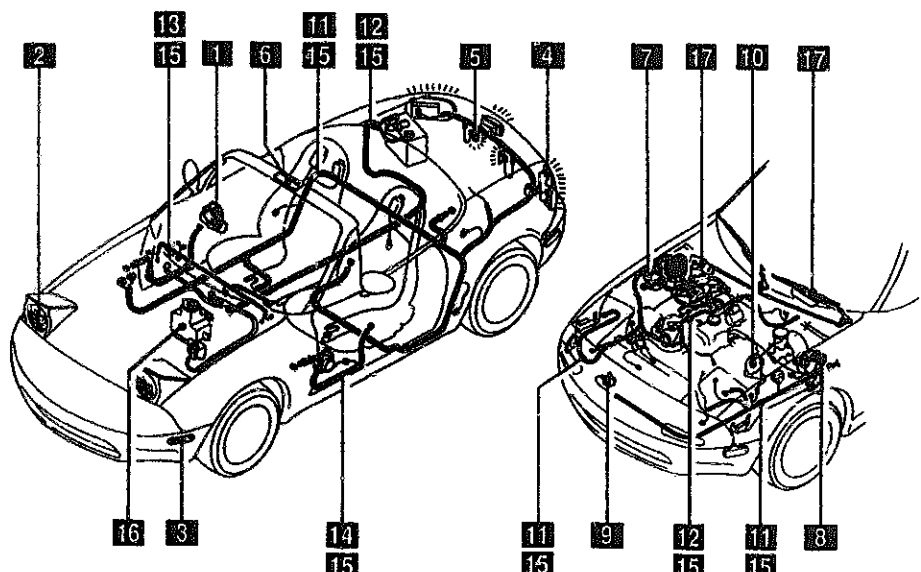










<p>1 2505</p>  <p>REAR PROPELLER SHAFT</p>	<p>2 2550</p>  <p>REAR DRIVE SHAFT</p>	<p>3 2600</p>  <p>REAR AXLE</p>	<p>4 2610</p>  <p>REAR BRAKE MECHANISMS</p>	<p>5 2710</p>  <p>REAR DIFFERENTIALS</p>	<p>6 2800</p>  <p>REAR SUSPENSION MECHANISMS</p>
<p>20 4000</p>  <p>EXHAUST SYSTEM</p>	<p>21 4600</p>  <p>CHANGE CONTROL SYSTEM</p>	<p>22 1720 Given in Engine Group</p>  <p>CHANGE CONTROL SYSTEM (MANUAL TRANSMISSION)</p>		<h3 style="margin: 0;">CHASSIS (1/2)</h3>  <p style="font-size: small; text-align: center;">As this illustration is prepared to be applicable to all models, some parts are different in specifications from parts listed in this parts Catalog.</p>	
<p>19 3900</p>  <p>ENGINE & TRANSMISSION MOUNTINGS</p>					<p>7</p>
<p>18 3410</p>  <p>CROSSMEMBER & STABILIZER</p>					<p>8 2810</p>  <p>REAR STABILIZER</p>
<p>17</p>					<p>9 2830</p>  <p>REAR LOWER ARMS & SUB FRAME</p>
<p>16 3400</p>  <p>FRONT SUSPENSION MECHANISMS</p>	<p>15 3310</p>  <p>FRONT BRAKE MECHANISMS</p>	<p>14 3300</p>  <p>FRONT AXLE</p>	<p>13 3240</p>  <p>POWER STEERING SYSTEM (FRONT)</p>	<p>12 3220</p>  <p>STEERING GEAR</p>	<p>11 3210</p>  <p>STEERING COLUMN & SHAFTS</p>
					<p>10 3200</p>  <p>STEERING WHEEL</p>

PICTORIAL INDEX

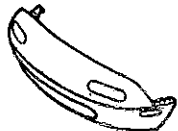



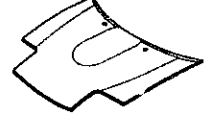
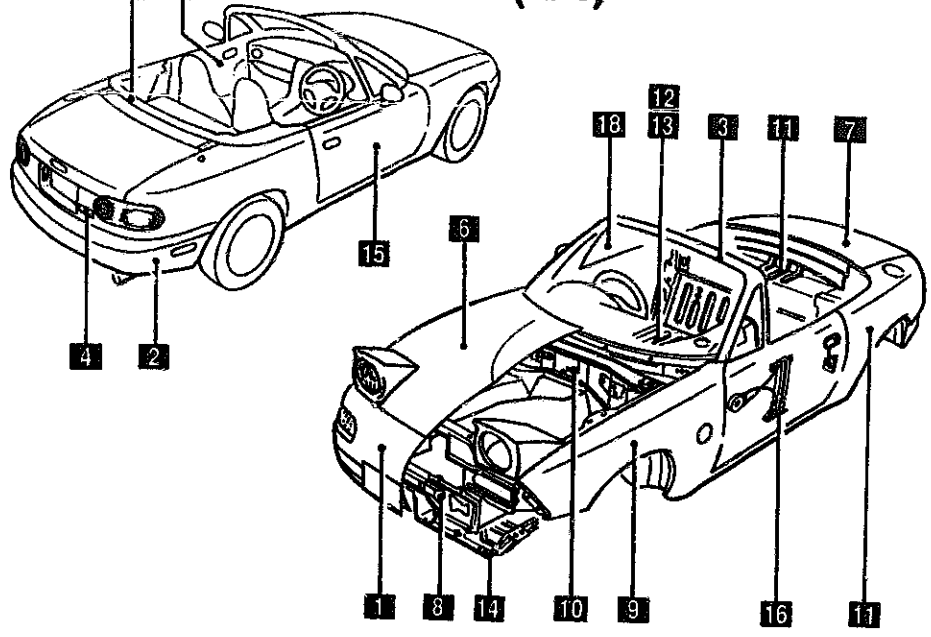












1 3700  TIRES & JACK	2 4140  CLUTCH RELEASE & MASTER CYLINDERS	3 4145  CLUTCH PIPINGS	4 4160  ACCELERATOR CONTROL SYSTEM	5 4200  FUEL TANK	6 4210  FUEL LID OPENER
<h3>CHASSIS (2/2)</h3> 					
					7 4300  CLUTCH & BRAKE PEDALS
					8 4340  BRAKE MASTER CYLINDER & POWER BRAKE
					9 4360  BRAKE PIPINGS
					10 4370  ANTILOCK BRAKE SYSTEM
				12 4500  FUEL PIPINGS	11 4400  PARKING BRAKE SYSTEM

As this illustration is prepared to be applicable to all models, some parts are different in specifications from parts listed in this parts Catalog.



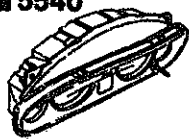
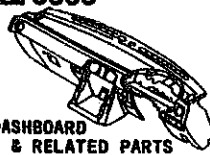
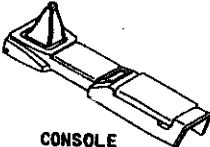
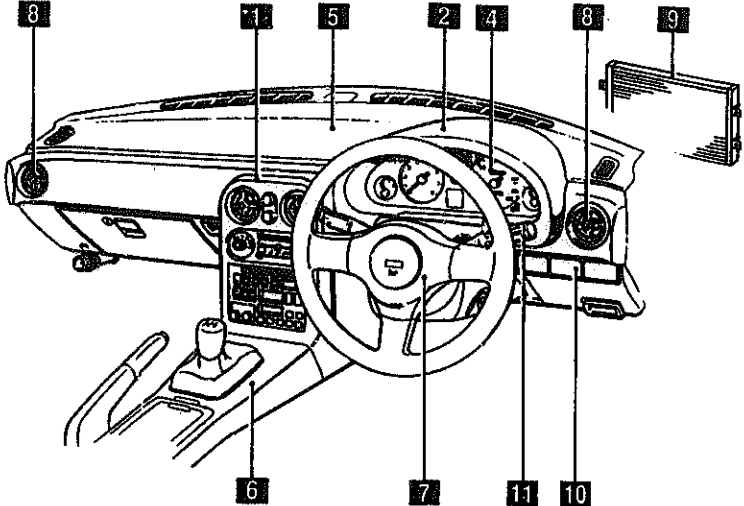


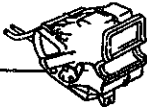


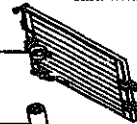



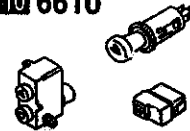
PICTORIAL INDEX

<p>1 0900</p>  <p>KEY SETS</p>	<p>2 5100</p>  <p>HEAD LAMPS</p>	<p>3 5105</p>  <p>FRONT COMBINATION LAMPS</p>	<p>4 5110</p>  <p>REAR COMBINATION LAMPS</p>	<p>5 5120</p>  <p>LICENSE LAMPS</p>	<p>6 5125</p>  <p>INTERIOR LAMPS</p>
<p>BODY (1/4)</p> 					
<p><small>As this illustration is prepared to be applicable to all models, some parts are different in specifications from parts listed in this parts Catalog.</small></p>					
<p>17 6730</p>  <p>WINDSHIELD WIPERS</p>	<p>15 6704</p>  <p>WIRING HARNESS CLAMPS</p>	<p>14 6703</p>  <p>WIRING HARNESSSES (DOOR, FLOOR/CEILING)</p>	<p>13 6702</p>  <p>WIRING HARNESSSES (DASHBOARD)</p>	<p>12 6701</p>  <p>WIRING HARNESSSES (ENGINE & T/MISSION)</p>	<p>11 6700</p>  <p>WIRING HARNESSSES (FRONT & REAR)</p>
<p>7 6600</p>  <p>SWITCHES & RELAYS (ENGINE)</p>					
<p>8 6630</p>  <p>RELAYS & UNIT (BODY)</p>					
<p>9 6635</p>  <p>DOOR SWITCH & HORNS</p>					
<p>10 6640</p>  <p>AUTO CRUISE CONTROL SYSTEM</p>					

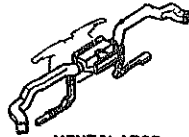


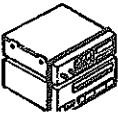
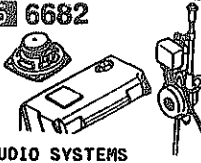
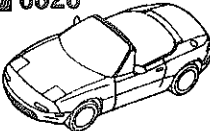
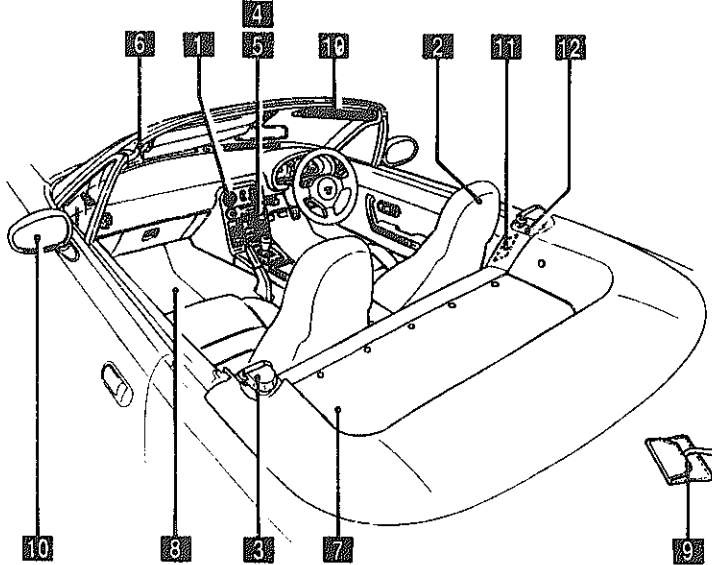
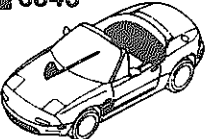
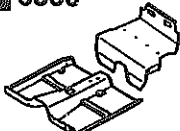




PICTORIAL INDEX

<p>1 5000</p>  <p style="text-align: center;">FRONT BUMPER</p>	<p>2 5010</p>  <p style="text-align: center;">REAR BUMPER</p>	<p>3 5030</p>  <p style="text-align: center;">WINDOW MOULDING & COWL GRILLES</p>	<p>4 5170</p>  <p style="text-align: center;">ORNAMENTS</p>	<p>5</p>	<p>6 5230</p>  <p style="text-align: center;">BONNET</p>
<p>19 17</p> <p style="font-size: 24px; font-weight: bold;">BODY (2/4)</p> 					
<p>19 6330</p>  <p style="text-align: center;">SUNROOF</p>					<p>7 5260</p>  <p style="text-align: center;">TRUNK LID</p>
<p>18 6300</p>  <p style="text-align: center;">WINDOW GLASSES</p>					<p>8 5310</p>  <p style="text-align: center;">FRONT PANELS</p>
<p>17 5940</p>  <p style="text-align: center;">FRONT DOOR TRIMS & RELATED PARTS</p>					<p>9 5320</p>  <p style="text-align: center;">FENDER & WHEEL APRON PANELS</p>
<p>16 5830</p>  <p style="text-align: center;">FRONT DOOR MECHANISMS</p>	<p>15 5800</p>  <p style="text-align: center;">FRONT DOORS</p>	<p>14 5390</p>  <p style="text-align: center;">FLOOR ATTACHMENTS</p>	<p>13 5380</p>  <p style="text-align: center;">FLOOR ATTACHMENTS (HOLE COVERS)</p>	<p>12 5370</p>  <p style="text-align: center;">FLOOR PANELS</p>	<p>11 5340</p>  <p style="text-align: center;">SIDE PANELS</p>

PICTORIAL INDEX

<p>1 5500</p>  <p>DASHBOARD EQUIPMENTS</p>	<p>2 5520</p>  <p>METER HOOD</p>	<p>3</p>	<p>4 5540</p>  <p>METER COMPONENTS</p>	<p>5 5560</p>  <p>DASHBOARD & RELATED PARTS</p>	<p>6 5570</p>  <p>CONSOLE</p>
<h3 style="margin: 0;">BODY (3/4)</h3> <div style="text-align: center; margin: 10px 0;">  </div> <p style="font-size: small; text-align: center;">As this illustration is prepared to be applicable to all models, some parts are different in specifications from parts listed in this parts Catalog.</p>					
<p>7 5795</p>  <p>AIR BAG</p>					
<p>8</p> <p>6115 </p> <p>6110 </p> <p>6100 </p> <p>6120 </p> <p>HEATER</p>					
<p>9</p> <p>6130 </p> <p>6140 </p> <p>6150 </p> <p>AIR CONDITIONER</p>					
<p>11 6611</p>  <p>COMBINATION SWITCH</p>			<p>10 6610</p>  <p>DASHBOARD SWITCHES</p>		

PICTORIAL INDEX

1 5580  VENTILATOR	2 5700  SEATS	3 5790  SEAT BELTS	4 6680  AUDIO SYSTEMS (RADIO & TAPE DECK)	5 6682  AUDIO SYSTEMS (ANTENNA & SPEAKER)	6 6820  FRONT HEADER TRIM & PILLAR TRIMS
<h3 style="margin: 0;">BODY (4/4)</h3> 					
As this illustration is prepared to be applicable to all models, some parts are different in specifications from parts listed in this parts Catalog.					
				7 6840  TRIMS & SCUFF PLATES	8 6860  FLOOR MATS & PADS
				9 6870  SERVICE TOOLS	10 6900  VISORS, ASSIST HANDLES & MIRRORS
			12 7250  QUARTER WINDOW & TRIMS	11 6930  CAUTION PLATES & LABELS	

SECTION NAME INDEX (ENGINE)

LO.NO	SEC.NO	SECTION NAME	LO.NO	SEC.NO	SECTION NAME	LO.NO	SEC.NO	SECTION NAME
1-C03	1000A	ENGINE & GASKET SEYS	1-M08	1920A	AUTOMATIC TRANSMISSION CASE & MAIN CONTROL SYSTEM			
1-E03	1010A	CYLINDER HEAD & COVER	1-D09	1925A	AUTOMATIC TRANSMISSION CONTROL VALVE			
1-H03	1030A	CYLINDER BLOCK	1-E09	1930A	AUTOMATIC TRANSMISSION CLUTCHES & PLANETARY GEARS			
1-I03	1040A	OIL PAN & TIMING COVER	1-J09	1940A	AUTOMATIC TRANSMISSION GOVERNOR, LOW & REVERSE PISTON			
1-K03	1100A	PISTON, CRANKSHAFT & FLYWHEEL	1-L09	1960A	AUTOMATIC TRANSMISSION GASKET & SEAL KIT			
1-N03	1200A	VALVE SYSTEM						
1-D04	1300A	INLET MANIFOLD						
1-E04	1310A	EXHAUST MANIFOLD						
1-F04	1320A	FUEL SYSTEM						
1-H04	1325A	FUEL DISTRIBUTOR						
1-I04	1330A	AIR CLEANER						
1-K04	1364A	THROTTLE BODY						
1-L04	1370A	EMISSION CONTROL SYSTEM (INLET SIDE)						
1-D05	1400A	OIL PUMP & FILTER						
1-F05	1500A	COOLING SYSTEM						
1-I05	1580A	BRACKET, PULLEY & BELT						
1-C06	1600A	CLUTCH DISC & COVER (5-SPEED)						
1-D06	1600AA	CLUTCH DISC & COVER (6-SPEED)						
1-E06	1700A	MANUAL TRANSMISSION CASE (5-SPEED)						
1-H06	1700AA	MANUAL TRANSMISSION CASE (6-SPEED)						
1-J06	1710A	MANUAL TRANSMISSION GEARS (5-SPEED)						
1-E07	1710AA	MANUAL TRANSMISSION GEARS (6-SPEED)						
1-L07	1720A	MANUAL TRANSMISSION CHANGE CONTROL SYSTEM (5-SPEED)						
1-N07	1720AA	MANUAL TRANSMISSION CHANGE CONTROL SYSTEM (6-SPEED)						
1-E08	1800A	ENGINE ELECTRICAL SYSTEM						
1-G08	1830A	ALTERNATOR						
1-H08	1840A	STARTER						
1-J08	1850A	BATTERY						
1-K08	1910A	AUTOMATIC TRANSMISSION TORQUE CONVERTER, OIL PUMP & PIPINGS						

SECTION NAME INDEX (CHASSIS)

LD.NO	SEC.NO	SECTION NAME	LD.NO	SEC.NO	SECTION NAME	LD.NO	SEC.NO	SECTION NAME
1-C11	2505A	REAR PROPELLER SHAFT	2-C03	4340A	BRAKE MASTER CYLINDER & POWER BRAKE (W/O ANTILOCK BRAKE)			
1-D11	2550A	REAR DRIVE SHAFT						
1-E11	2600A	REAR AXLE	2-E03	4340B	BRAKE MASTER CYLINDER & POWER BRAKE (W/ANTILOCK BRAKE)			
1-G11	2610A	REAR BRAKE MECHANISMS						
1-J11	2710A	REAR DIFFERENTIALS (NORMAL DIFF.)	2-G03	4360A	BRAKE PIPINGS (W/O ANTILOCK BRAKE)			
1-C12	2710B	REAR DIFFERENTIALS (LIMITED SLIP DIFF.)	2-I03	4360B	BRAKE PIPINGS (W/ANTILOCK BRAKE)			
1-G12	2800A	REAR SUSPENSION MECHANISMS	2-K03	4370A	ANTILOCK BRAKE SYSTEM			
1-I12	2810A	REAR STABILIZER	2-M03	4400A	PARKING BRAKE SYSTEM			
1-J12	2830A	REAR LOWER ARMS & SUB FRAME	2-C04	4500A	FUEL PIPINGS			
1-L12	3200A	STEERING WHEEL	2-D04	4600A	CHANGE CONTROL SYSTEM (AT)			
1-N12	3210A	STEERING COLUMN & SHAFTS						
1-N12	3220AA	STEERING GEAR (W/O POWER STEERING)						
1-D13	3220AB	STEERING GEAR (W/POWER STEERING)						
1-G13	3240A	POWER STEERING SYSTEM (HT)						
1-J13	3240B	POWER STEERING SYSTEM (AT)						
1-M13	3300A	FRONT AXLE						
1-N13	3310A	FRONT BRAKE MECHANISMS						
1-C14	3400A	FRONT SUSPENSION MECHANISMS						
1-F14	3410A	CROSSMEMBER & STABILIZER						
1-G14	3700A	TIRES & JACK						
1-C15	3900A	ENGINE & TRANSMISSION MOUNTINGS						
1-D15	4000A	EXHAUST SYSTEM						
1-F15	4140A	HANDUAL TRANSMISSION CLUTCH RELEASE & MASTER CYLINDERS						
1-G15	4145A	HANDUAL TRANSMISSION CLUTCH PIPINGS						
1-H15	4160A	ACCELERATOR CONTROL SYSTEM						
1-I15	4200A	FUEL TANK						
1-G16	4210A	FUEL LID OPENER						
1-I16	4300A	HANDUAL TRANSMISSION CLUTCH & BRAKE PEDALS						
1-L16	4300B	AUTOMATIC TRANSMISSION BRAKE PEDAL						

CATLOG-NO= AUNA07-05

DATE. 2000-01

PAGE. 2

3-02

SECTION NAME INDEX (BODY)

LD.NO	SEC.NO	SECTION NAME	LD.NO	SEC.NO	SECTION NAME	LD.NO	SEC.NO	SECTION NAME
2-C06	0900A	KEY SEYS	2-G14	6120A	HEATER BLOWER COMPONENTS			
2-F06	5000A	FRONT BUMPER	2-H14	6130A	AIR CONDITIONER			
2-I06	5010A	REAR BUMPER	2-L14	6140A	AIR CONDITIONING COMPRESSOR COMPONENTS			
2-K06	5030A	WINDOW MOULDING & COWL GRILLES	2-N14	6150A	AIR CONDITIONING COOLING UNIT			
2-L06	5100A	HEAD LAMPS	2-C15	6300A	WINDOW GLASSES			
2-M06	5105A	FRONT COMBINATION LAMPS	2-D15	6330A	SUN ROOF			
2-N06	5110A	REAR COMBINATION LAMPS	2-E16	6600A	ENGINE SWITCHES & RELAYS			
2-D07	5120A	LICENSE LAMPS	2-J16	6610A	DASHBOARD SWITCHES			
2-E07	5125A	INTERIOR LAMPS	2-L16	6611A	COMBINATION SWITCH			
2-F07	5170A	ORNAMENTS	2-M16	6630A	BODY RELAYS & UNIT			
2-G07	5230A	BONNET	3-C03	6635A	DOOR SWITCH & HORNS			
2-I07	5260A	TRUNK LID	3-D03	6640A	AUTO CRUISE CONTROL SYSTEM			
2-K07	5310A	FRONT PANELS	3-F03	6680A	AUDIO SYSTEMS (RADIO & TAPE DECK)			
2-N07	5320A	FENDER & WHEEL APRON PANELS	3-J03	6682A	AUDIO SYSTEMS (ANTENNA & SPEAKER)			
2-E08	5330A	DASH & COWL PANELS	3-N03	6700A	FRONT & REAR WIRING HARNESSSES			
2-F08	5340A	SIDE PANELS	3-F04	6701A	ENGINE & TRANSMISSION WIRING HARNESSSES			
2-L08	5370A	FLOOR PANELS	3-I04	6702A	DASHBOARD WIRING HARNESSSES			
2-D09	5380A	FLOOR ATTACHMENTS (HOLE COVER)	3-J04	6703A	DOOR, FLOOR & CEILING WIRING HARNESSSES			
2-F09	5390A	FLOOR ATTACHMENTS	3-K04	6704A	WIRING HARNESS CLAMPS			
2-C10	5500A	DASHBOARD EQUIPMENTS	3-M04	6720A	WINDSHIELD WASHER (W/O ANTILOCK BRAKE)			
2-D10	5520A	METER HOOD	3-E05	6720B	WINDSHIELD WASHER (W/ANTILOCK BRAKE)			
2-E10	5540A	METER COMPONENTS	3-H05	6730A	WINDSHIELD WIPERS			
2-H10	5560A	DASHBOARD & RELATED PARTS	3-J05	6820A	FRONT HEADER TRIM & PILLAR TRIMS			
2-K10	5570A	CONSOLE	3-K05	6840A	TRIMS & SCUFF PLATES			
2-N10	5580A	VENTILATOR	3-D06	6860A	FLOOR MATS & PADS			
2-C11	5700A	SEATS	3-G06	6870A	SERVICE TOOLS			
2-K11	5790A	SEAT BELTS	3-H06	6900A	SUN VISORS, ASSIST HANDLES & MIRRORS			
2-M11	5795A	AIR BAG	3-J06	6930A	CAUTION PLATES & LABELS			
2-C12	5800A	FRONT DOORS	3-L06	7250A	QUARTER WINDOW & TRIMS			
2-G12	5830A	FRONT DOOR MECHANISMS						
2-C13	5840A	FRONT DOOR TRIMS & RELATED PARTS						
2-C14	6100A	HEATER						
2-D14	6110A	HEATER UNIT COMPONENTS						
2-E14	6115A	HEATER CONTROL COMPONENTS						

CATLOG-NO- AUNA07-05

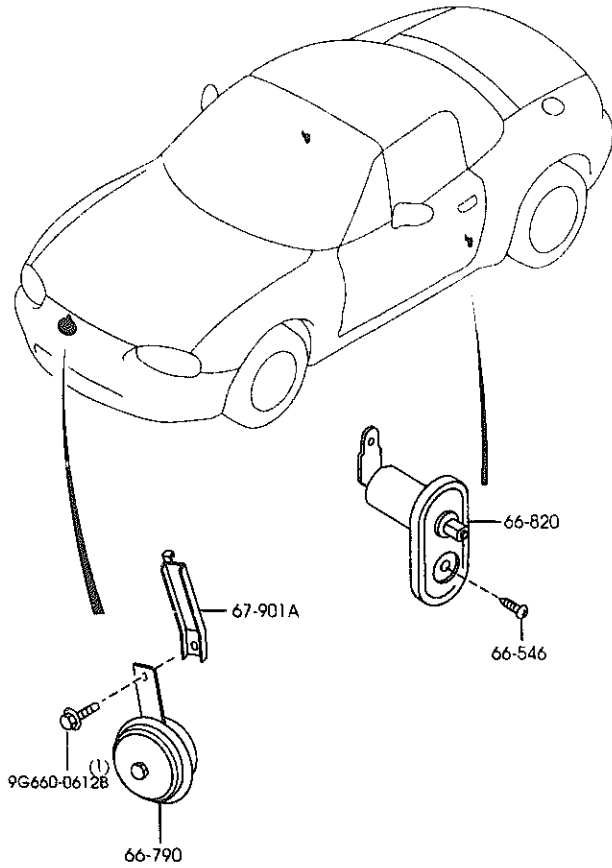
DATE. 2000-01

PAGE. 3

3-D 2

6635A DOOR SWITCH & HORNS

6635A -1 * DOOR SWITCH & HORNS



PART NO.	QTY	MODEL/RESTRICTION	MODEL/RESTRICTION	MODEL/RESTRICTION	FROM-TO
66-546		SCREW, DOOR SWITCH			
LA01-66-546	2				
66-790		HORN, LOW TONE			
B03F-66-790	1				
66-820		SWITCH, DOOR			
S09A-66-540	2				
67-901A		BRACKET, HORN			
NC10-66-7B1	1				



AUNA07

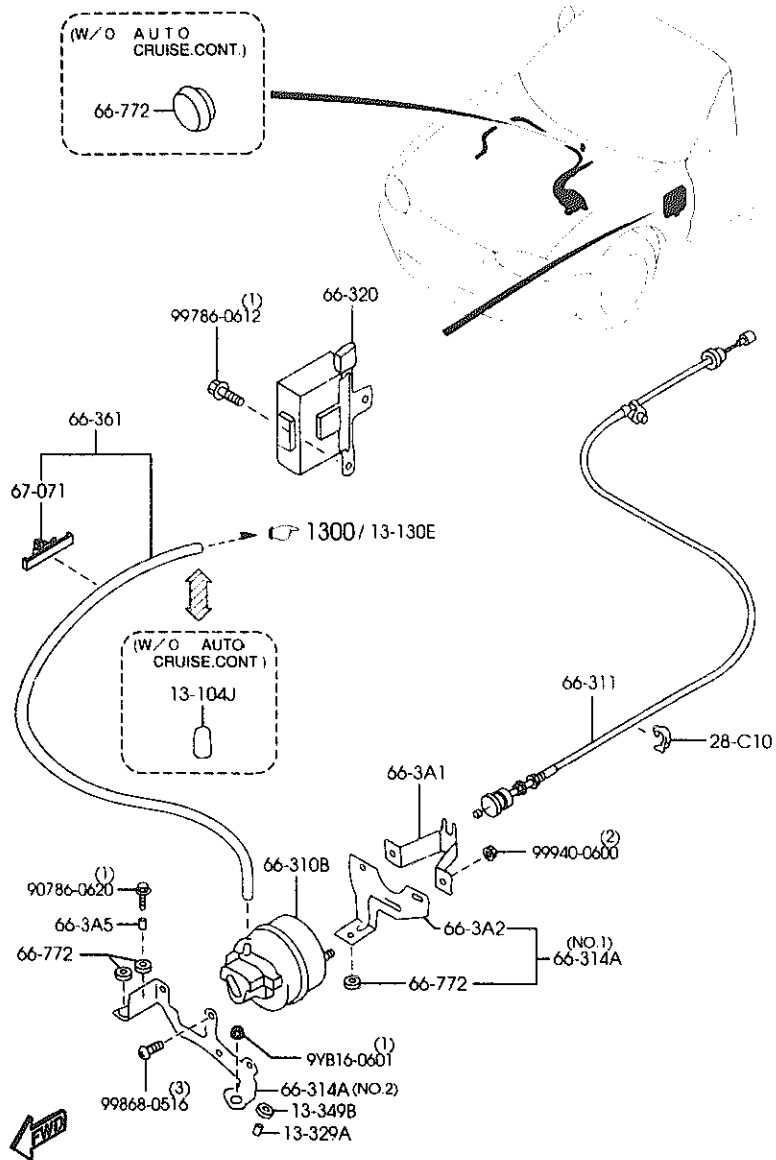
(1N02500)

CAT. AUNA07-05

2000-01

6640A AUTO CRUISE CONTROL SYSTEM

6640A -1 AUTO CRUISE CONTROL SYSTEM



PART NO.	QTY	MODEL/RESTRICTION	MODEL/RESTRICTION	MODEL/RESTRICTION	FROM-TO
13-104J		CAP, BLIND			
1010-13-104	1	(W/O AUTO CRUISE CONT.)			
13-329A		SPACER, FUEL FILTER			
B6S7-13-329	1	(W/AUTO CRUISE CONT.)			
13-349B		INSULATOR			
B6S7-13-349	1	(W/AUTO CRUISE CONT.)			
28-C10		BAND, PIPE			
JE48-18-868	3	(W/AUTO CRUISE CONT.)			
66-3A1		BRACKET, ACTUATOR-A.C.C.			
LA01-66-3A1	1	(W/AUTO CRUISE CONT.)			
66-3A2		BRACKET, ACTUATOR-FRONT			
NC11-66-3A2	1	(W/AUTO CRUISE CONT.)			
66-3A5		SPACER, ACTUATOR			
UE54-66-3A5	1	(W/AUTO CRUISE CONT.)			
66-310B		ACTUATOR, A.C.C.			
LA01-66-310A	1	(W/AUTO CRUISE CONT.)			
66-311		WIRE, A.C.C.			
NC11-66-311	1	(W/AUTO CRUISE CONT.)			
66-314A		BRACKET, A.C.C.			
NC11-66-3A1	1	(ILLUST. NO. 1) (W/AUTO CRUISE CONT.)			
NC11-66-3A3A	1	(ILLUST. NO. 2) (W/AUTO CRUISE CONT.)			
66-320		BOX, A.C.C.			
NC11-66-320B	1	(W/AUTO CRUISE CONT.)			

-8819

8819 NB353X-122015

AUNA07

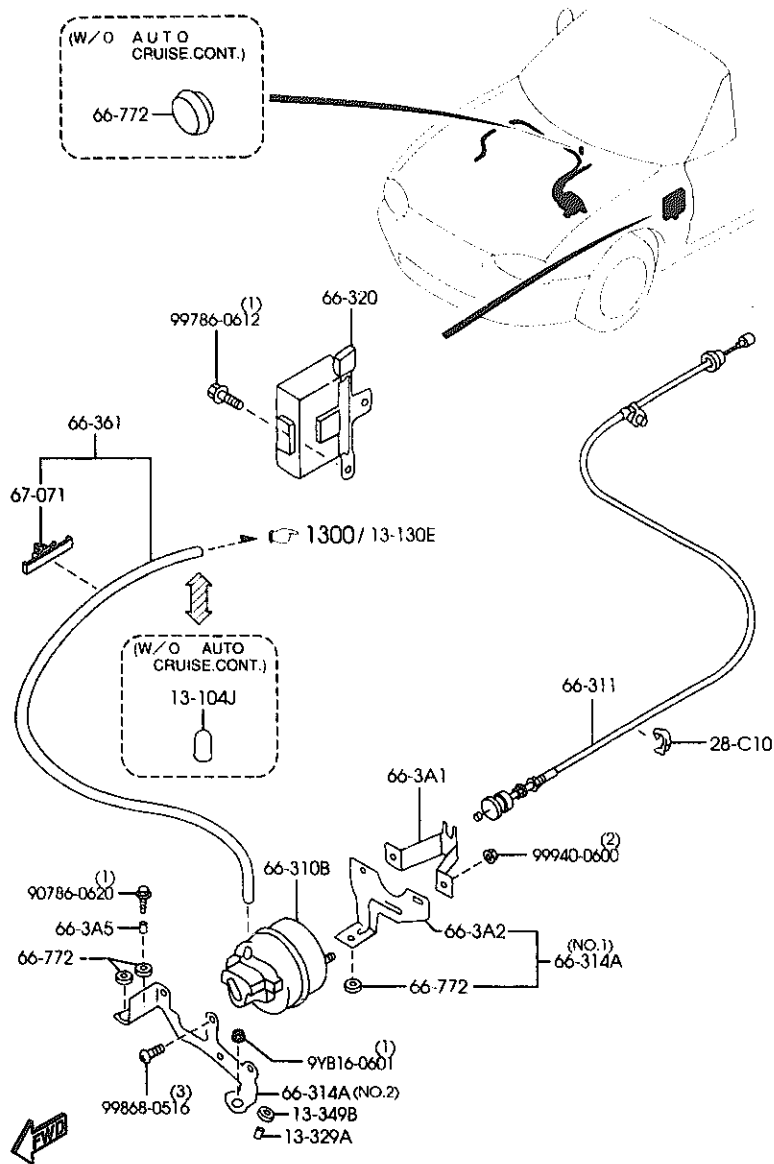
(1N03610)

CAT. AUNA07-05

2800-01

6640A AUTO CRUISE CONTROL SYSTEM

6640A -2 * AUTO CRUISE CONTROL SYSTEM



PART NO.	QTY	MODEL/RESTRICTION	MODEL/RESTRICTION	MODEL/RESTRICTION	FROM-TO
CONT'D					
A (NC11-66-320C)					
NC11-66-320C	1	(W/AUTO CRUISE CONT.)			8819-8C02
A (NC12-66-320)					
NC12-66-320	1	(W/AUTO CRUISE CONT.)			8C02-
66-361		PIPE, AUTO CRUISE CONTROL			
NC11-66-360B	1	(W/AUTO CRUISE CONT.)			
66-772		GROMMET			
B092-61-661	1	(W/O AUTO CRUISE CONT.)			
UE54-66-3A4	3	(W/AUTO CRUISE CONT.)			
67-071		CLIP			
8B111-67-C99	1	(W/AUTO CRUISE CONT.)			
8819 NB353*	122015				
8C02 NB353*	125019				

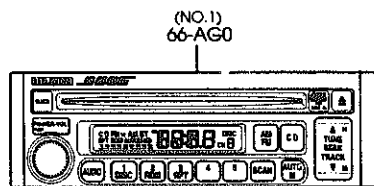
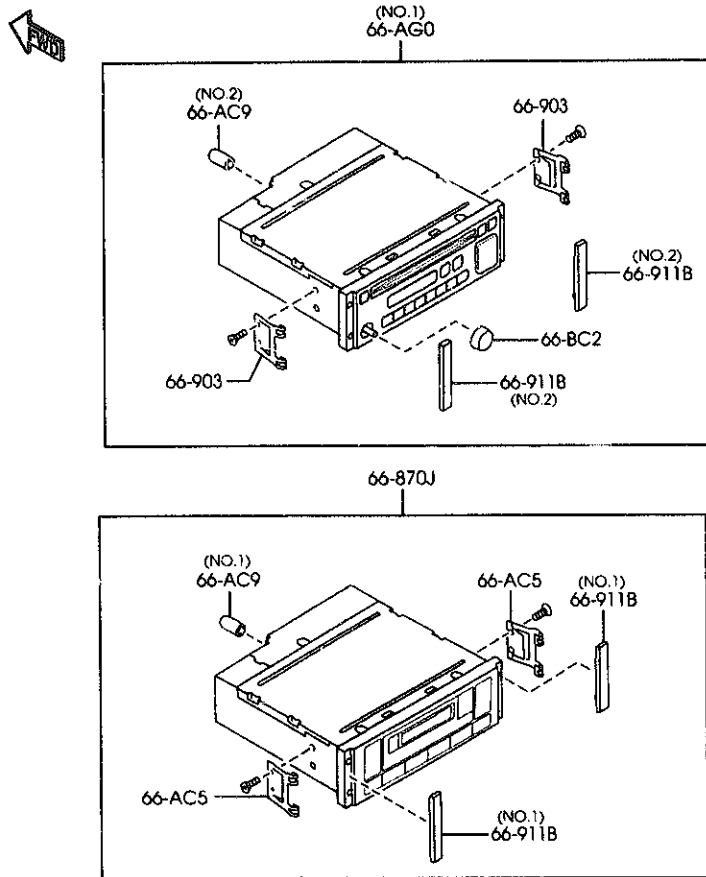
AUNA07

(1N03610)

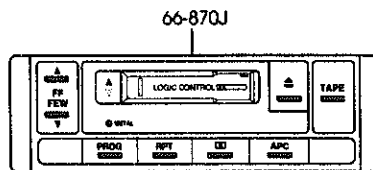
CAT. AUNA07-05

2000-01

(AM/FM, W/DECK, W/POWER AMP)

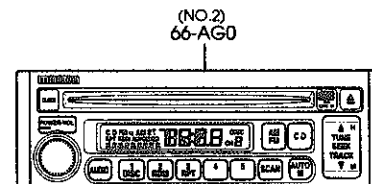
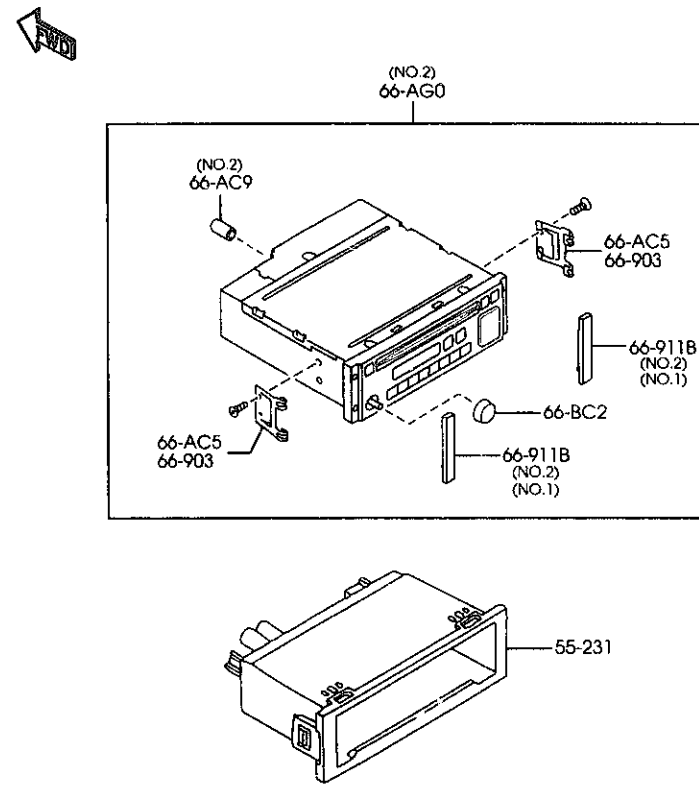


AUNA07



(1N03591)

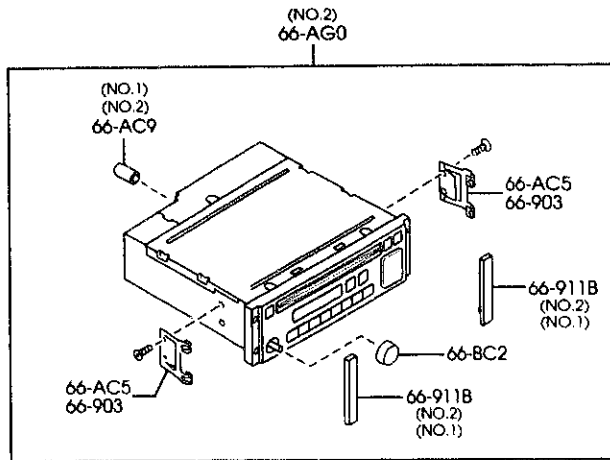
(AM/FM, W/O DECK, W/O POWER AMP)



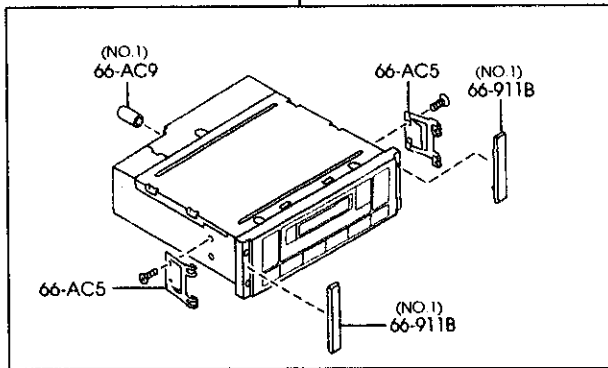
AUNA07

(1N03592)

(AM/FM, W/DECK, W/O POWER AMP)



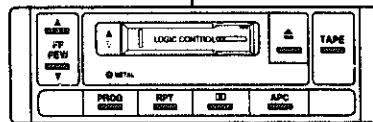
66-870J



(NO.2)
66-AG0

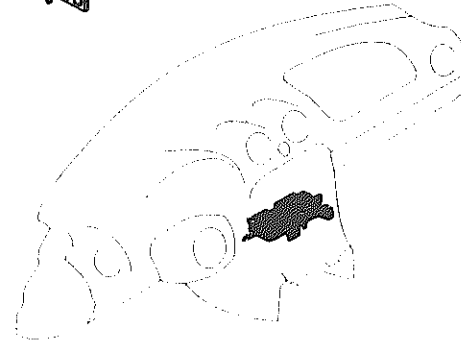


66-870J

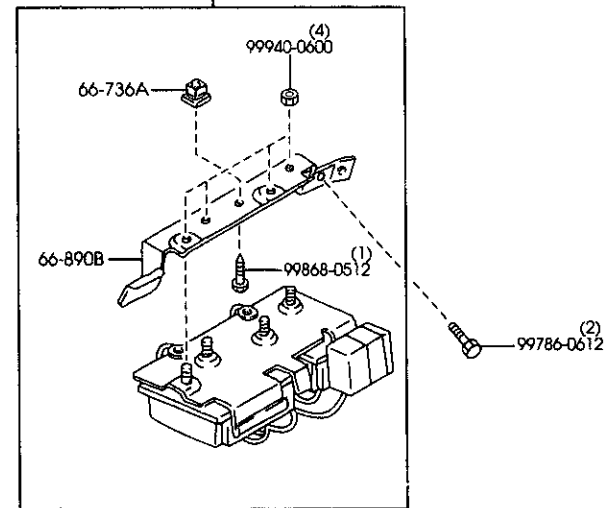


AUNA07

(1N03593)



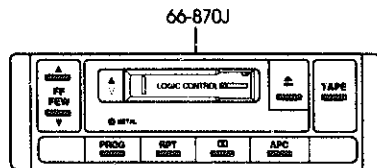
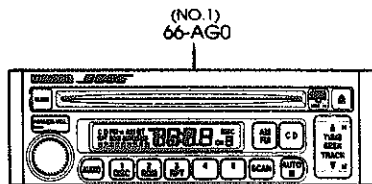
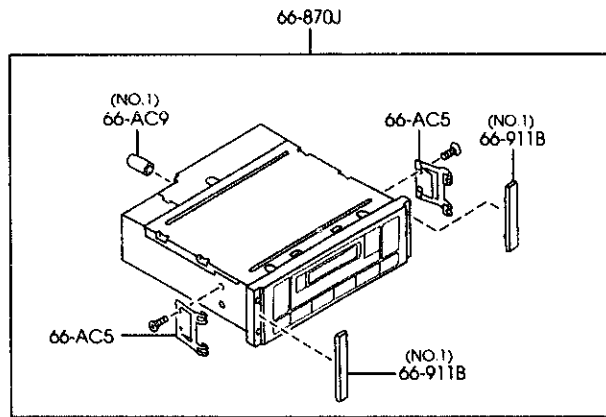
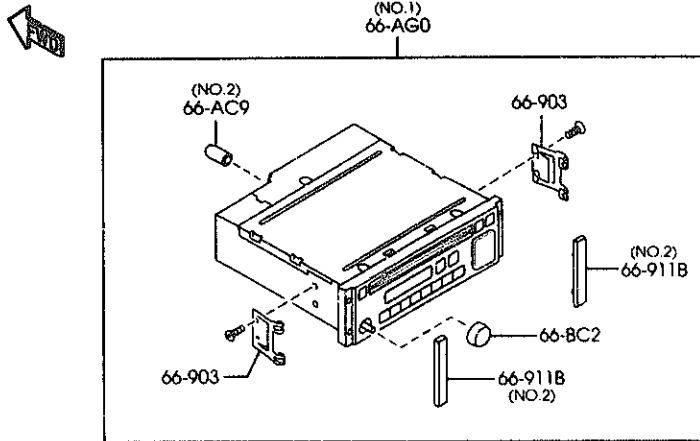
66-920B



AUNA07

(1N03594)

(AM/FM, W/DECK, W/POWER AMP)



AUNA07

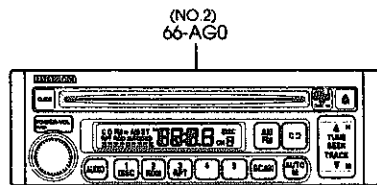
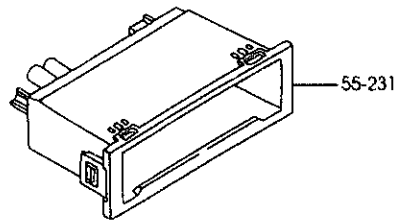
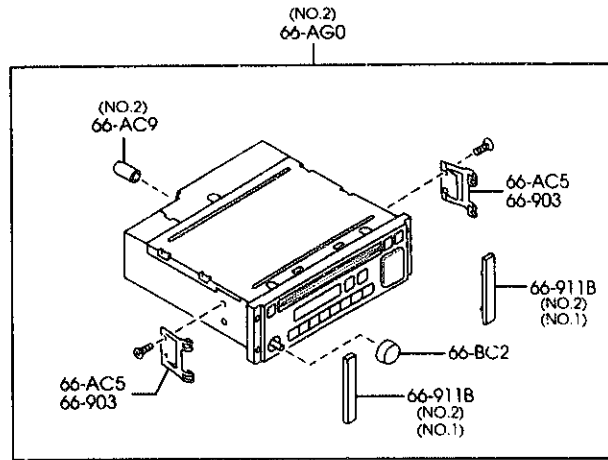
(1N03591)

PART NO.	QTY	MODEL/RESTRICTION	MODEL/RESTRICTION	MODEL/RESTRICTION	FROM-TO
55-231		ORNAMENT, STEREO			
B02A-66-9M0A	1	(AM/FM, W/O DECK)			
66-AC5		SPRING, AUDIO			
B01A-66-AC5	2	FMS (AM/FM, W/O DECK, W/O POWER AMP) (AM/FM, W/DECK, W/POWER AMP)			
B01A-66-AC5	4	FMS NON USA,			
66-AC9		RUBBER, REAR-ET/ED CO HBI.			
LB03-66-AC9	1	FMS (ILLUST. NO. 1)			
S22K-66-AC9	1	MATSUSHITA MAKE (ILLUST. NO. 2)			
66-AG0		PLAYER, COMPACT DISC			
NC20-66-9R0	1	(ILLUST. NO. 2) (W/O POWER AMP)			-8901
NC10-66-9R0A	1	(ILLUST. NO. 1) (W/POWER AMP)			-9623
A (NC10-66-9R0A)					
B01R-66-9R0	1	(ILLUST. NO. 2) (W/O POWER AMP)			8901-
NC10-66-9R0A	1	(ILLUST. NO. 1) (W/POWER AMP)			9623-
66-BC2		KNOB, VOLUME-TUNER & DECK			
B01S-66-BC1	1	MATSUSHITA MAKE (W/POWER AMP)			
B01S-66-BC1	1	MATSUSHITA MAKE (W/O POWER AMP)			-8901
B01R-66-BC1	1	FMS MAKE (W/O POWER AMP)			8901-
66-736A		GROMMET, SCREW			
NC10-66-AD5	1	(W/POWER AMP)			
66-870J		AUDIO SET			
NC15-66-9D0	1	(AM/FM, W/DECK)			
66-890B		BRACKET			
NC10-66-9B1	1	(W/POWER AMP)			
8901 NB353*-122306					
9623 NB353*-136616					

CAT. AUNA07-05

2000-01

(AM/FM, W/O DECK, W/O POWER AMP)



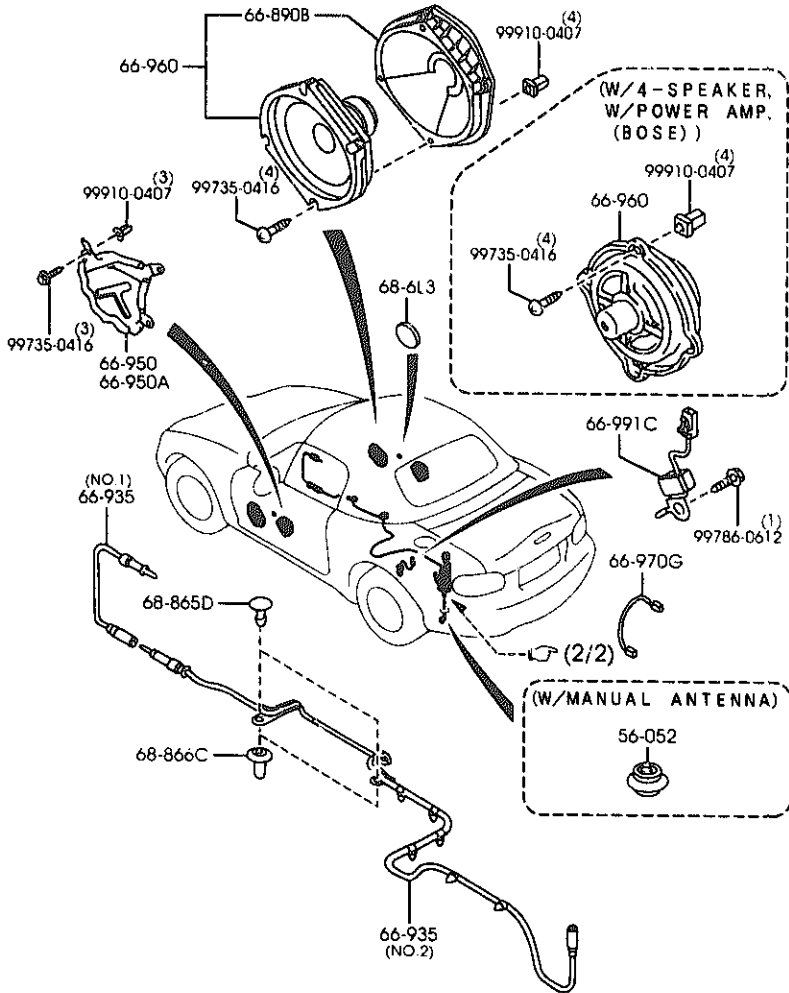
AUNA07

(1N03592)

PART NO.	QTY	MODEL/RESTRICTION	MODEL/RESTRICTION	MODEL/RESTRICTION	FROM-TO
66-903 FD04-66-AW1	2	BRACKET, TUNER PANASONIC			
66-911B LB83-66-BC4	2	COVER, HOLE FMS (ILLUST. NO.1) (AM/FM, W/DECK, W/POWER AMP) (AM/FM, W/O DECK, W/O POWER AMP)			
NB40-66-BC4	2	PANASONIC (ILLUST. NO.2)			-8901
LB83-66-BC4	2	FMS (ILLUST. NO.1) (W/O POWER AMP)			-8901
NB40-66-BC4	2	PANASONIC (ILLUST. NO.2) (W/O POWER AMP)			8901-
LB83-66-BC4	4	FMS NON USA, (ILLUST. NO.1)			-9A25
66-920B NC10-66-92ZA A (NC10-66-92ZB)	1	AMP, POWER-AUDIO (W/POWER AMP)			9A25-
NC10-66-92ZB	1	(W/POWER AMP)			
8901 NB353*-122306 9A25 NB353*-141388					

CAT. AUNA07-05

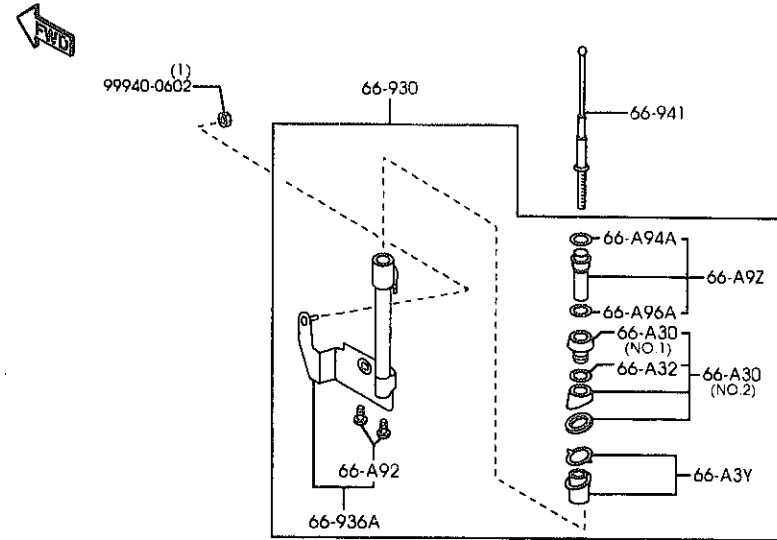
2000-01



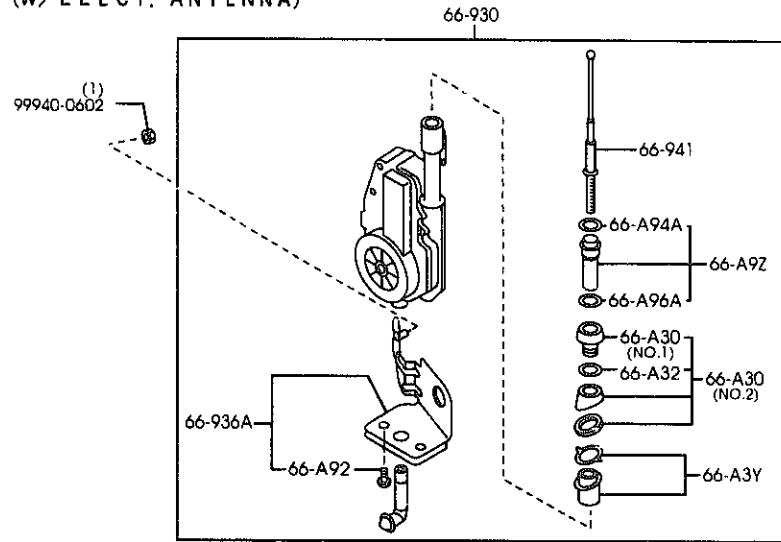
AUNA07

(1N03551)

(W/MANUAL ANTENNA)

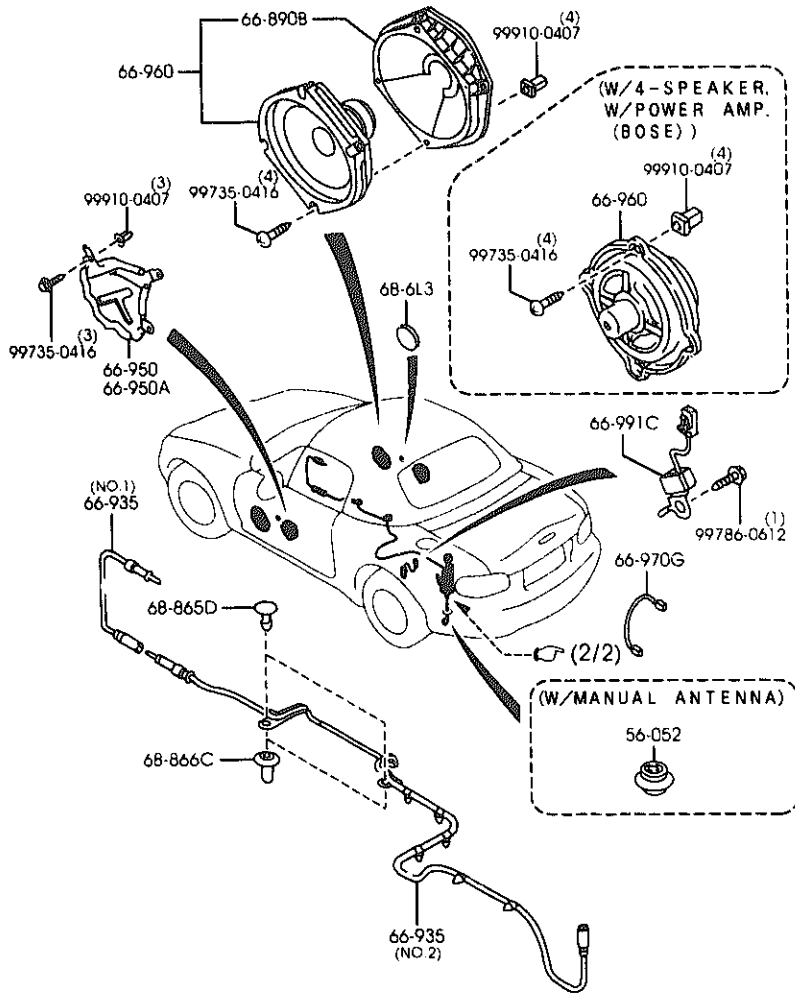


(W/ELECT. ANTENNA)



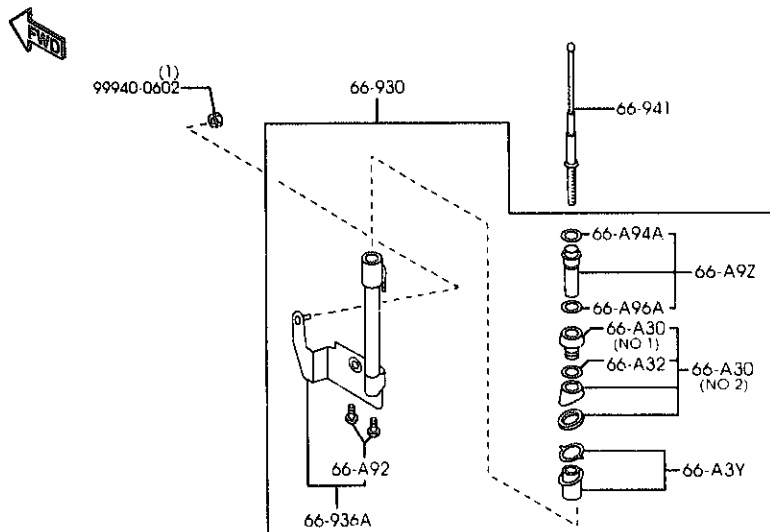
AUNA07

(1N03552)

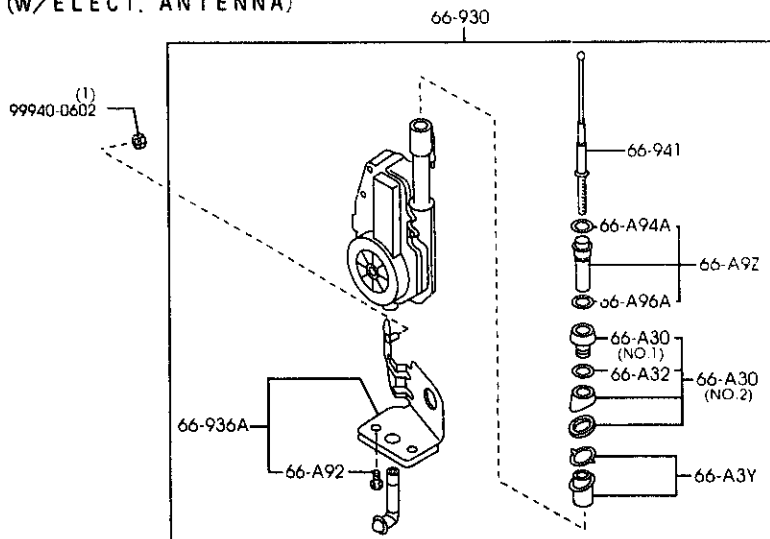


PART NO.	QTY	MODEL/RESTRICTION	MODEL/RESTRICTION	MODEL/RESTRICTION	FROM-TO
96-052	1	PLUG, DRAIN			
B092-56-052	1	D=12MM (W/MANUAL ANTENNA)			
66-A3Y	1	PLATE, EARTH-MOTOR ANTENNA			
NC10-66-A3Z	1				
66-A30	1	NUT, MOUNTING-ANTENNA			
M001-66-A31	1	(ILLUST. NO.1)			
NC10-66-A9V	1	(ILLUST. NO.2)			
66-A32	1	RING, 'O'-MOUNTING ANTENNA			
FB01-66-A32	1				
66-A9Z	1	INSULATOR, ROD-ANTENNA			
HG30-66-A9Z	1				
66-A92	2	SCREW, ANTENNA			
HG30-66-A92	2				
66-A94A	1	RING, 'O'-ANTENNA			
HE02-66-A94	1				
66-A96A	1	RING, 'O'-ANTENNA			
HE02-66-A96	1				
66-890B	2	BRACKET (W/2-SPEAKER) (W/4-SPEAKER, W/O POWER AMP.)			
NC25-66-9B1A	2				
66-930	1	ANTENNA, RADIO			
NC10-66-930A (NC10-66-930A)	1	(W/ELECT. ANTENNA)			-8113
NC20-66-930AN (NC20-66-930A)	1	(W/MANUAL ANTENNA)			-8301
NC10-66-930AN (NC10-66-930B)	1	(W/ELECT. ANTENNA)			8113-8323
NC20-66-930A	1	(W/MANUAL ANTENNA)			8301-
NC10-66-930B	1	(W/ELECT. ANTENNA)			8323-
66-935		FEEDER-ANTENNA			
8113 NBS53*-103843 8301 NBS53*-109481 8323 NBS53*-112641					

(W/MANUAL ANTENNA)



(W/ELECT. ANTENNA)



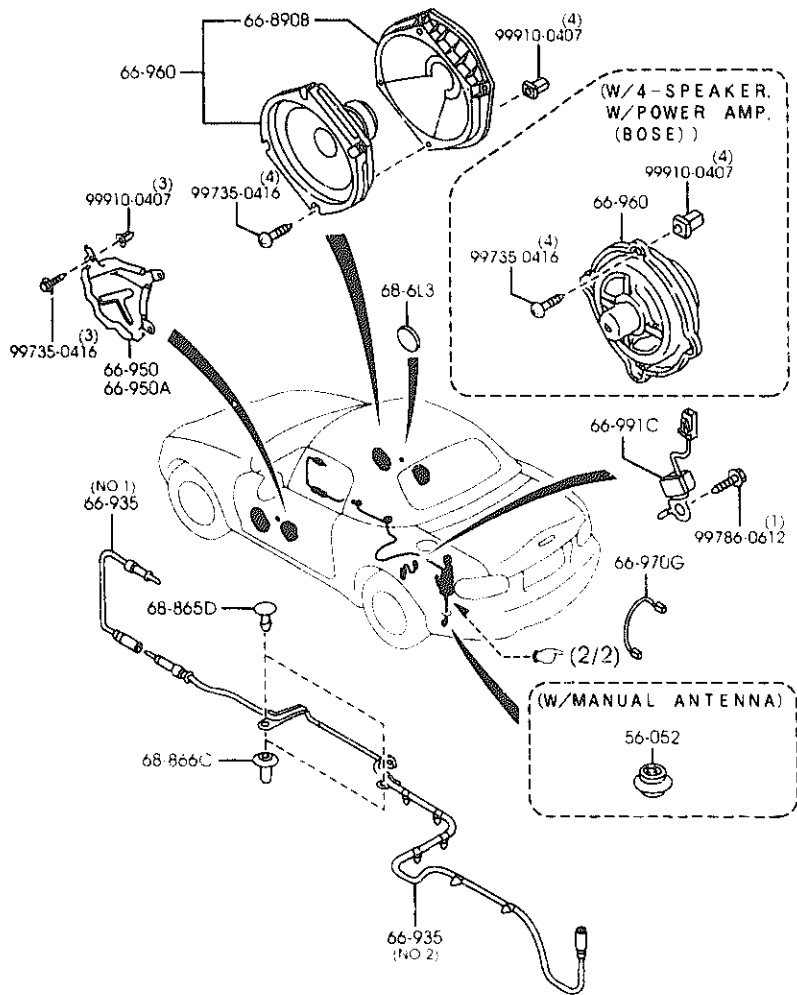
PART NO.	QTY	MODEL/RESTRICTION	MODEL/RESTRICTION	MODEL/RESTRICTION	FROM-TO
CONT'D					
NC11-66-940A	1	(ILLUST. NO. 1)			
NC22-66-940C AN(NC22-66-940D)	1	(ILLUST. NO. 2)			-7C03
NC22-66-940D	1	(ILLUST. NO. 2)			7C03-
66-936A		BRKT, MOTOR-ANTENNA			
NC20-66-A9X	1	(W/MANUAL ANTENNA)			
NC10-66-A9X AN(NC10-66-A9XA)	1	(W/ELECT. ANTENNA)			-8323
NC10-66-A9XA	1	(W/ELECT. ANTENNA)			8323-
66-941		POLE, ANTENNA			
B05A-66-A30	1	(W/ELECT. ANTENNA)			
KA03-66-930A	1	(W/MANUAL ANTENNA)			
66-950		BRACKET(R), SPEAKER			
NC20-66-98XA A (NC20-66-98XB)	1	(W/4-SPEAKER, W/POWER AMP. (BOSE))			-7C03
NC20-66-98XB	1	(W/4-SPEAKER, W/POWER AMP. (BOSE))			7C03-
66-950A		BRACKET(L), SPEAKER			
NC20-66-98YA A (NC20-66-98YB)	1	(W/4-SPEAKER, W/POWER AMP. (BOSE))			-7C03
NC20-66-98YB	1	(W/4-SPEAKER, W/POWER AMP. (BOSE))			7C03-
66-960		SPEAKER, LOUD-FRONT			
NC25-66-960A	2	(W/2-SPEAKER) (W/4-SPEAKER, W/O PDW ER AMP.)			
NC18-66-960 AN(NC18-66-960A)	2	(W/4-SPEAKER, W/POWER AMP. (BOSE))			-8701
NC18-66-960A A (NC18-66-960B)	2	(W/4-SPEAKER, W/POWER AMP. (BOSE))			8701-8731
NC18-66-960B	2	(W/4-SPEAKER, W/POWER AMP. (BOSE))			8731-
66-970G		CORD, SHORT			
NC15-66-970A	1	(AM/FM, W/DECK)			
66-991C		CONDENSER			
NC10-66-991A	1				
7C03	HB353*	100063			
8323	HB353*	112641			
8701	HB353*	121022			
8731	HB353*	121884			

AUNA07

(1N03552)

CAT. AUNA07-05

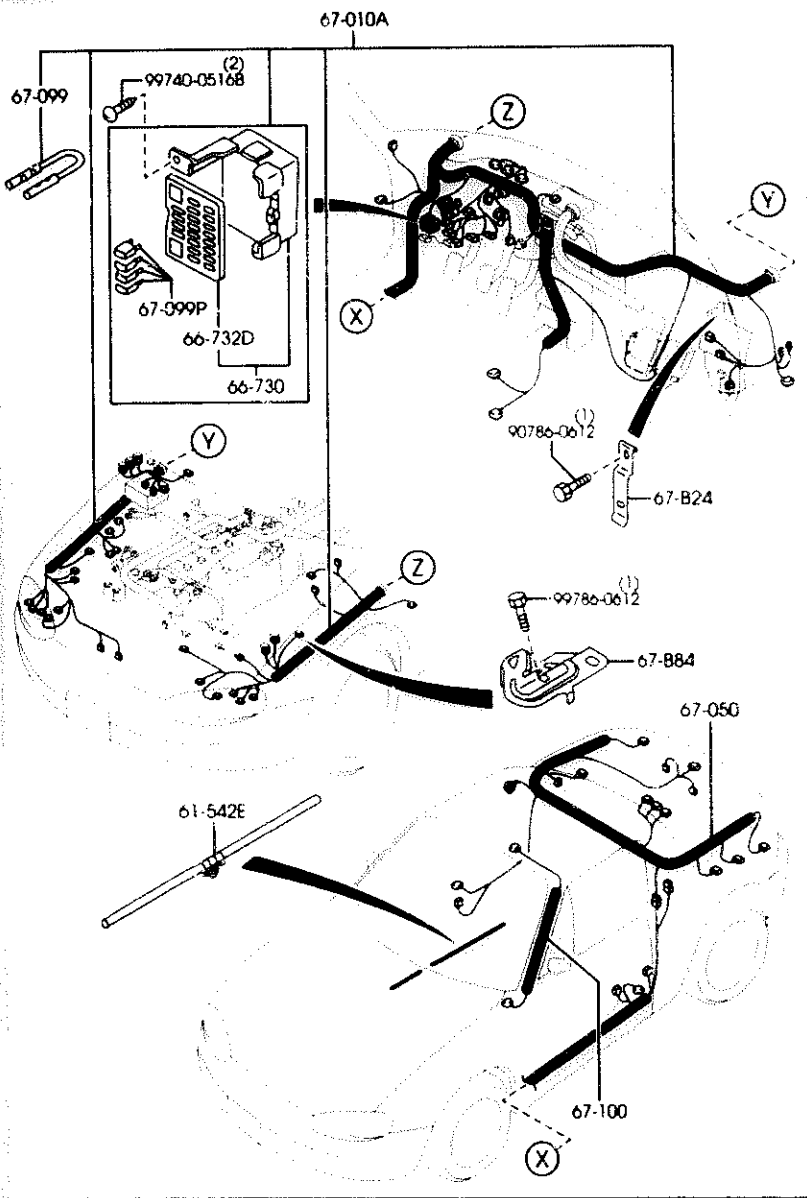
2000-01



PART NO.	QTY	MODEL/RESTRICTION	MODEL/RESTRICTION	MODEL/RESTRICTION	FROM TO
68-6L3		COVER* C*, HOLE			
GA78-68-6L3	2	(W/4-SPEAKER, W/POWER AMP. (BOSE))			
68-865D		FASTENER			
S083-68-865A	2				-8401
00	INT-	NB0 NB1 BLACK			8401-
GJ37-68-955	2				
00	INT-	NB0 NB1 BLACK			
68-866C		FASTENER, SEAL			
B235-68-865A AN(B235-68-965B)	2				-9106
B235-68-865B	2				9106-
8401 NB353*-114005					
9106 NB353*-126971					

6700A FRONT & REAR WIRING HARNESSSES

6700A -1 FRONT & REAR WIRING HARNESSSES



PART NO.	QTY	MODEL/RESTRICTION	MODEL/RESTRICTION	MODEL/RESTRICTION	FROM-TO
61-542E		WIRE HARNESS			
NC10-67-011	1				
66-730		BLOCK,FUSE			
NC10-66-730B	1				
66-732D		COVER,FUSE BLOCK			
NC10-66-751A	1				
67-B24		BRACKET			
NA75-67-011A	1				
67-B84		BRACKET			
NC19-67-012	1				
67-010A		HARNESS,FRONT			
NHC17-67-010H	1	NON USA,			
NHC22-67-010H	1	NON USA,			
NHC24-67-010H	1	NON USA,			
NHC25-67-010H	1	NON USA,			
NC10-67-010D A (NC10-67-010G)	1	(W/POWER AMP) (INT)(W/O A. LOCK B RAKE)			-0401
NC11-67-010D A (NC11-67-010G)	1	(W/POWER AMP) (INT)(W/O A. LOCK B RAKE)			-0401
NC19-67-010D A (NC19-67-010G)	1	(W/POWER AMP) (AT)(W/O A. LOCK B RAKE)			-0401
NC21-67-010D A (NC21-67-010G)	1	(W/POWER AMP) (AT)(W/A. LOCK BRA KE)			-0401
NC23-67-010D A (NC23-67-010G)	1	(W/POWER AMP) (INT)(W/A. LOCK BRA KE)			-0401
NC10-67-010G AN(NC10-67-010H)	1	(W/O POWER AMP) (INT)(W/O A. LOCK B RAKE)			0401-0A01
NC11-67-010G AN(NC11-67-010H)	1	(W/POWER AMP) (INT)(W/O A. LOCK B RAKE)			0401-0A01
NC19-67-010G AN(NC19-67-010H)	1	(W/POWER AMP) (AT)(W/O A. LOCK B RAKE)			0401-0A01
NC21-67-010G	1	(W/POWER AMP)			0401-0A01
0401 NB353H-114005 0A01 NB353H-122764					

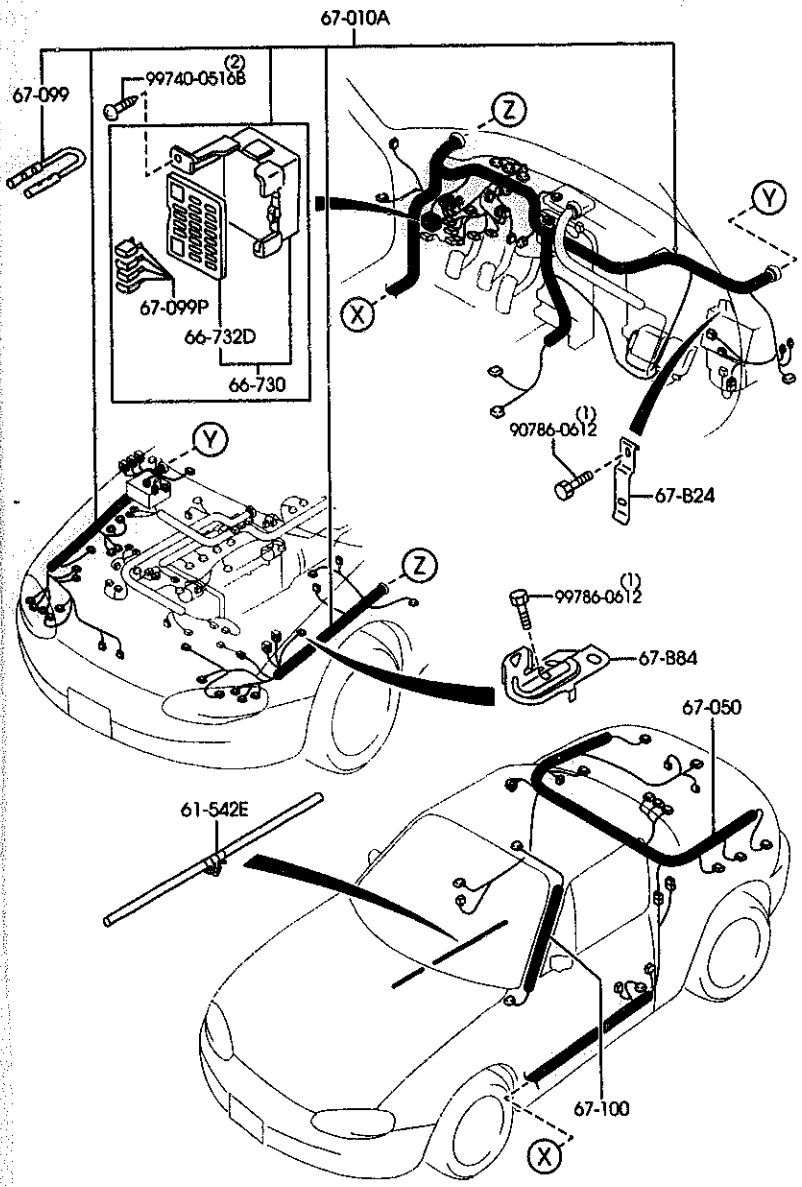
AUNA07

(1N04560)

CAT. AUNA07-05

2000-01

6700A FRONT & REAR WIRING HARNESSSES



AUNA07

(1N04560)

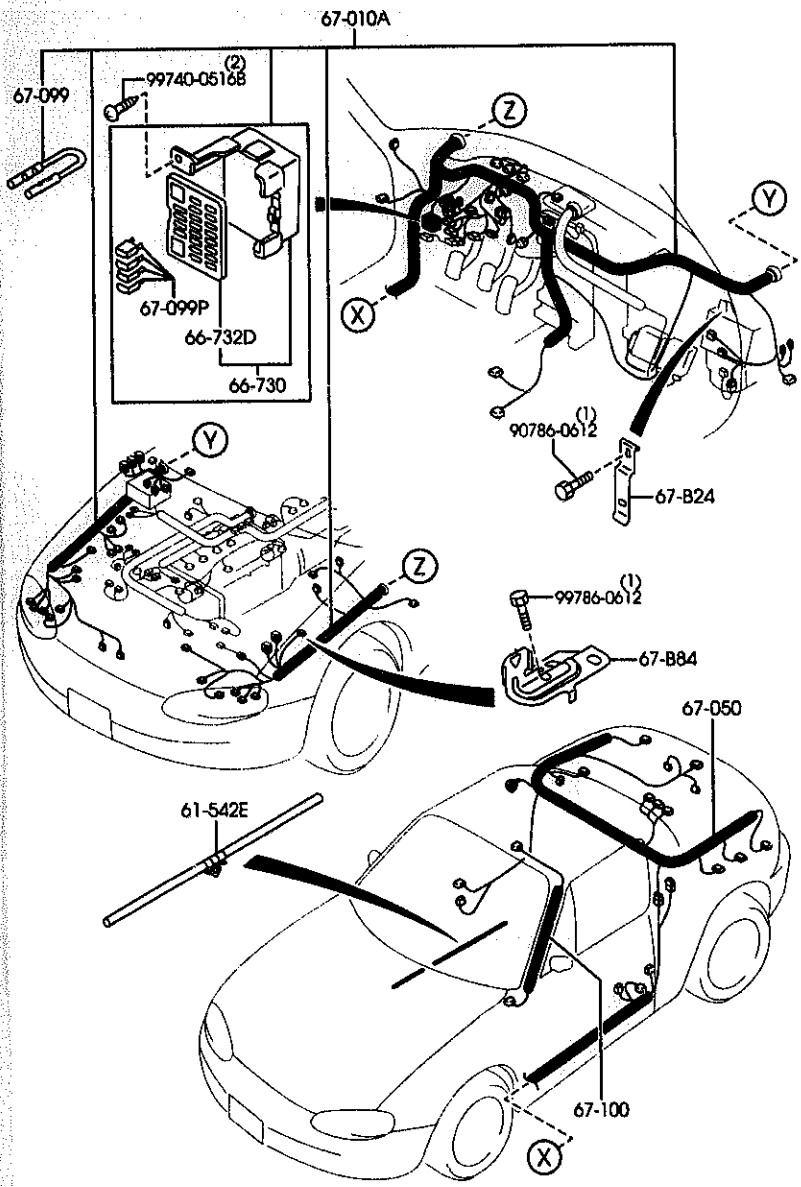
6700A -2 FRONT & REAR WIRING HARNESSSES

PART NO.	QTY	MODEL/RESTRICTION	MODEL/RESTRICTION	MODEL/RESTRICTION	FROM-TO
CONT'D AN(NC21-67-010H)		((AT))>(W/A. LOCK BRA KE)			
NC23-67-010G AN(NC23-67-010H)	1	(W/POWER AMP) ((MT))>(W/A. LOCK BRA KE)			8401-8A01
NC10-67-010H A (NC10-67-010J)	1	(W/O POWER AMP) ((NT))>(W/O A. LOCK B RAKE)			8A01-8C01
NC11-67-010H A (NC11-67-010J)	1	(W/POWER AMP) ((MT))>(W/O A. LOCK B RAKE)			8A01-8C01
NC19-67-010H A (NC19-67-010J)	1	(W/POWER AMP) ((AT))>(W/O A. LOCK B RAKE)			8A01-8C01
NC21-67-010H A (NC21-67-010J)	1	(W/POWER AMP) ((AT))>(W/A. LOCK BRA KE)			8A01-8C01
NC23-67-010H A (NC23-67-010J)	1	(W/POWER AMP) ((MT))>(W/A. LOCK BRA KE)			8A01-8C01
NC10-67-010J AN(NC10-67-010L)	1	(W/O POWER AMP) ((MT))>(W/O A. LOCK B RAKE)			8C01-9401
NC11-67-010J AN(NC11-67-010L)	1	(W/POWER AMP) ((MT))>(W/O A. LOCK B RAKE)			8C01-9401
NC19-67-010J AN(NC19-67-010L)	1	(W/POWER AMP) ((AT))>(W/O A. LOCK B RAKE)			8C01-9401
NC21-67-010J AN(NC21-67-010L)	1	(W/POWER AMP) ((AT))>(W/A. LOCK BRA KE)			8C01-9401
NC23-67-010J AN(NC23-67-010L)	1	(W/POWER AMP) ((MT))>(W/A. LOCK BRA KE)			8C01-9401
NC10-67-010L	1	(W/O POWER AMP) ((MT))>(W/O A. LOCK B RAKE)			9401-9A01
NC11-67-010L	1	(W/POWER AMP) ((MT))>(W/O A. LOCK B RAKE)			9401-9A01
NC19-67-010L	1	(W/POWER AMP) ((AT))>(W/O A. LOCK B RAKE)			9401-9A01
NC21-67-010L	1	(W/POWER AMP) ((AT))>(W/A. LOCK BRA KE)			9401-9A01
NC23-67-010L	1	(W/POWER AMP) ((MT))>(W/A. LOCK BRA KE)			9401-9A01
*NC10-67-010M	1	(W/O POWER AMP)			9A01-
8401 NB353*-114005 8A01 NB353*-122764 8C01 NB353*-124914 9401 NB353*-134673 9A01 NB353*-141073					

CAT. AUNA07-05

2000-01

6700A FRONT & REAR WIRING HARNESSSES



AUNA07

(1N04560)

6700A -3 FRONT & REAR WIRING HARNESSSES

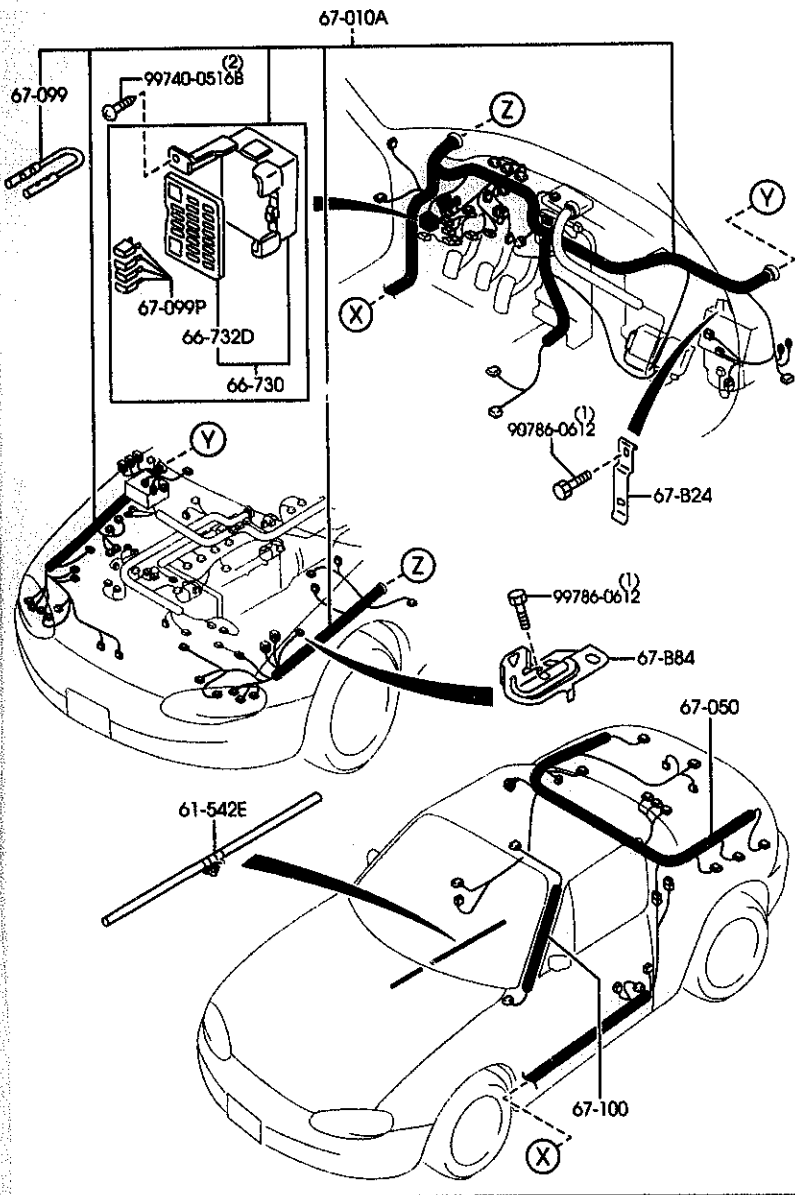
PART NO.	QTY	MODEL/RESTRICTION	MODEL/RESTRICTION	MODEL/RESTRICTION	FROM-TO
CONT'D		((MT))>(W/O A. LOCK B RAKE)			
*NC11-67-010M	1	(W/POWER AMP) ((MT))>(W/O A. LOCK B RAKE)			9A01-
*NC19-67-010M	1	(W/POWER AMP) ((AT))>(W/O A. LOCK B RAKE)			9A01-
*NC21-67-010M	1	(W/POWER AMP) ((AT))>(W/A. LOCK BRA KE)			9A01-
*NC23-67-010M	1	(W/POWER AMP) ((MT))>(W/A. LOCK BRA KE)			9A01-
		----- 67-050 -----			
		HARNES,REAR			
NC10-67-050D AN(NC10-67-050E)	1	(W/O A. LOCK BRAKE)			-8301
NC14-67-050D AN(NC14-67-050E)	1	(W/A. LOCK BRAKE)			-8301
NC10-67-050E AN(NC10-67-050F)	1	(W/O A. LOCK BRAKE)			8301-8A01
NC14-67-050E AN(NC14-67-050F)	1	(W/A. LOCK BRAKE)			8301-8A01
NC10-67-050F AN(NC10-67-050G)	1	(W/O A. LOCK BRAKE)			8A01-9401
NC14-67-050F AN(NC14-67-050G)	1	(W/A. LOCK BRAKE)			8A01-9401
NC10-67-050G	1	(W/O A. LOCK BRAKE)			9401-9701
NC14-67-050G	1	(W/A. LOCK BRAKE)			9401-9701
NC49-67-050	1	(W/O A. LOCK BRAKE)			9701-
NC54-67-050	1	(W/A. LOCK BRAKE)			9701-
		----- 67-099 -----			
		LINK,FUSIBLE			
B180-67-099	1	10 OHM (W/A. LOCK BRAKE)			
		----- 67-099P -----			
		FUSE			
99705-1210	6	10A			
99705-1215	7	15A			
99705-1220	2	20A (W/O POWER AMP) ((MT))>(W/O A. LOCK B RAKE)			
8301 NB353M-109481					
8A01 NB353M-122744					
9401 NB353M-136673					
9701 NB353M-138751					
9A01 NB353M-141073					

CAT. AUNA07-05

2000-01

6700A FRONT & REAR WIRING HARNESSSES

6700A -4 * FRONT & REAR WIRING HARNESSSES



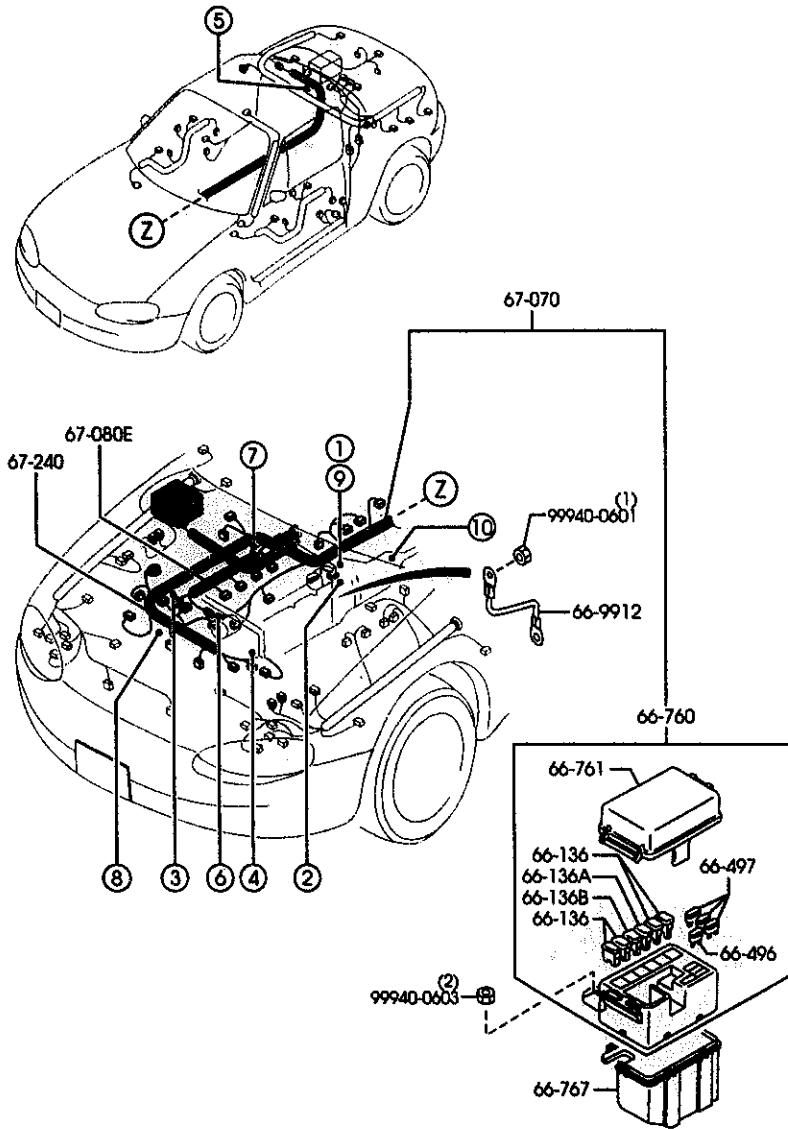
PART NO.	QTY	MODEL/RESTRICTION	MODEL/RESTRICTION	MODEL/RESTRICTION	FROM-TO
CONT'D					
99705-1220	3	20A (W/POWER AMP) (CMT)>(N/O A. LOCK B RAKE)			
99705-1220	3	20A (CMT)>(W/A. LOCK BRA KE) (AT)			
99705-1230	1	30A			
67-100		HARNESS, ROOM LAMP			
NC10-67-100B	1				

AUNA07

(1N04560)

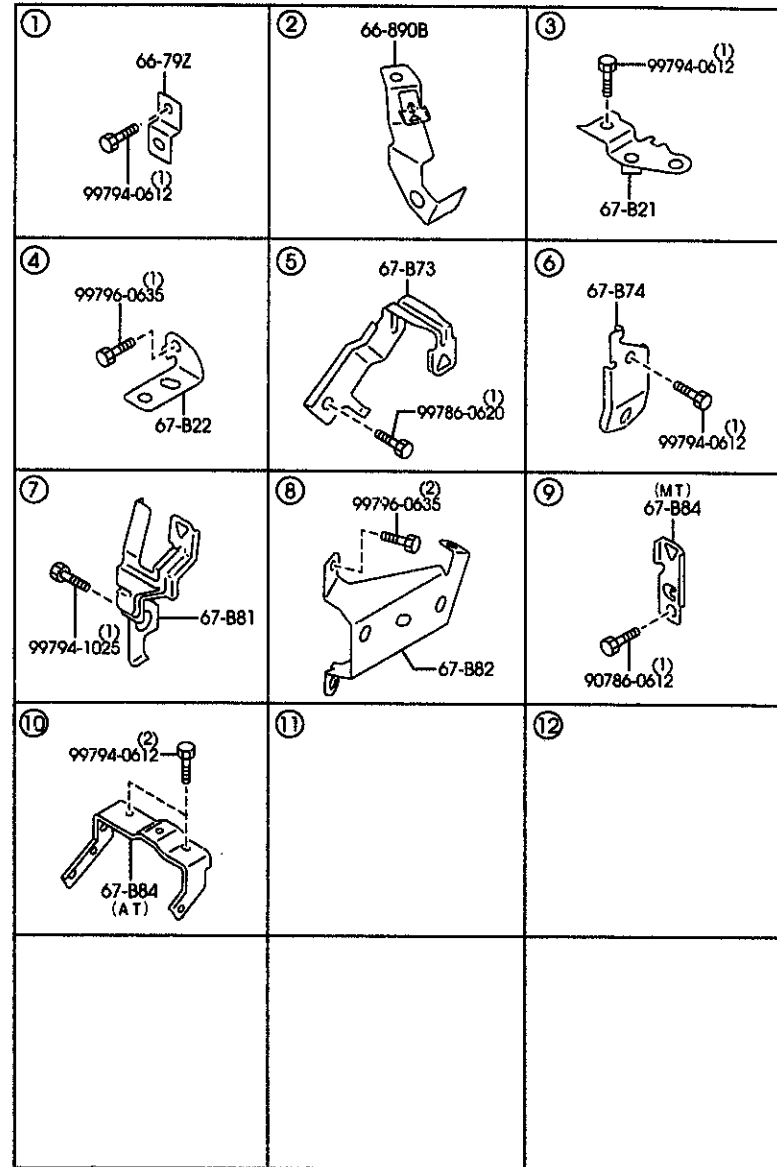
CAT. AUNA07-05

2000-01



AUNA07

(1N04571)

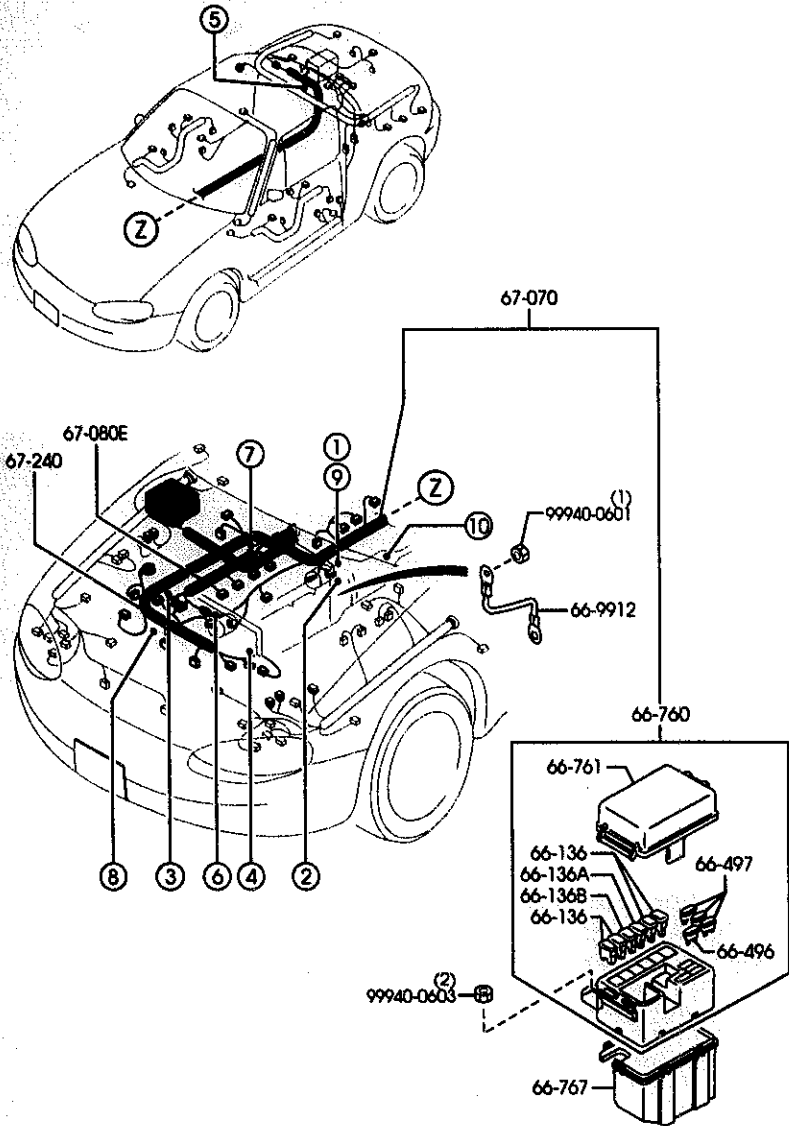


AUNA07

(1N04572)

6701A ENGINE & TRANSMISSION WIRING HARNESSSES

(1/2)



6701A -1 ENGINE & TRANSMISSION WIRING HARNESSSES

PART NO.	QTY	MODEL/RESTRICTION	MODEL/RESTRICTION	MODEL/RESTRICTION	FROM-TO
66-136		FUSE (30A)			
H115-67-099	4				
66-136A		FUSE (40A)			
H116-67-099	1	40A			
66-136B		FUSE (80A)			
H117-67-099	1				
66-496		FUSE (15A)			
99705-1115	1				
66-497		FUSE (20A)			
99705-1120	3				
66-760		BLOCK, MAIN FUSE			
NC10-66-760	1				
66-761		COVER, MAIN FUSE BLOC K			
NC10-66-762	1				
66-767		COVER, UNDER-MAIN FUS E BLK			
NC10-66-767	1				
66-792		BRACKET, HORN			
BC5D-66-781	1 (AT)				
66-890B		BRACKET			
NC10-67-87X	1				
66-9912		WIRE, EARTH			
NA75-67-EW1B	1				
67-821		BRACKET, HARNESS			
NC10-67-82XB	1				
67-822		BRACKET, HARNESS			
NC10-67-822	1				
67-873		BRACKET, HARNESS			

AUNA07

(1N04571)

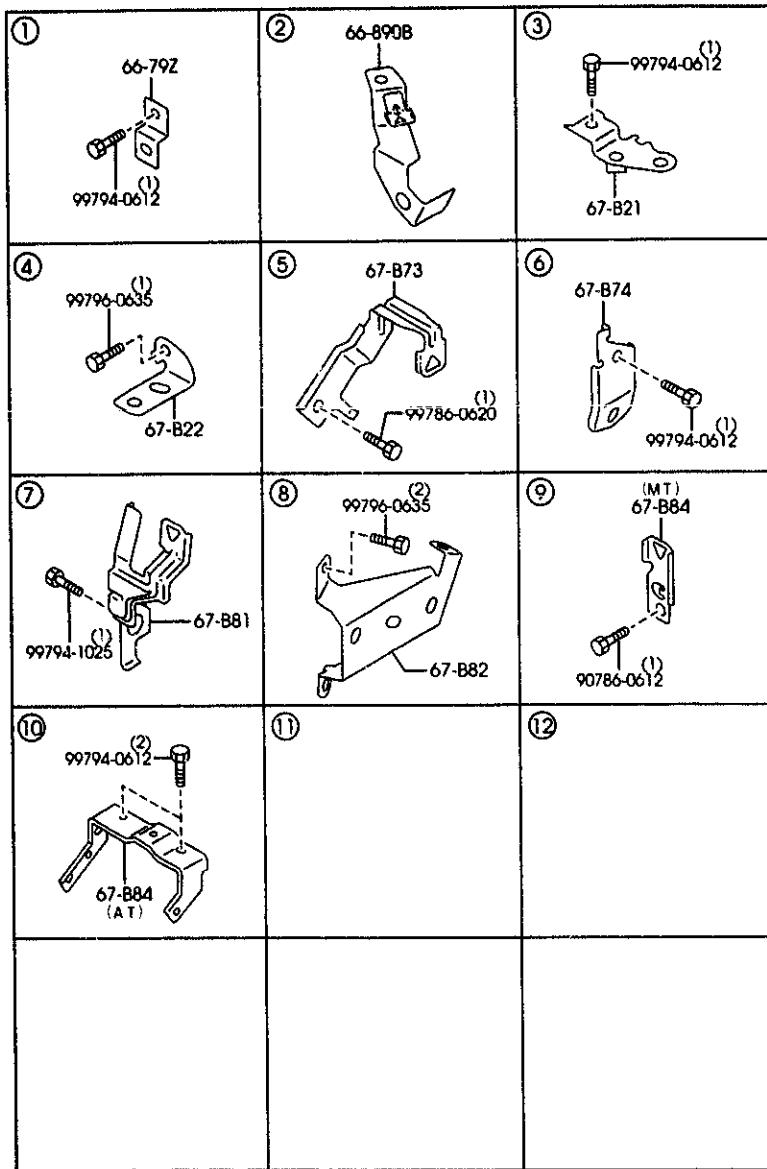
CAT. AUNA07-05

2000-01

6701A ENGINE & TRANSMISSION WIRING HARNESSSES

(2/2)

6701A -2 * ENGINE & TRANSMISSION WIRING HARNESSSES



PART NO.	QTY	MODEL/RESTRICTION	MODEL/RESTRICTION	MODEL/RESTRICTION	FROM-TO
CONT'D					
NC10-67-B73	1				
67-B74		BRACKET, HARNESS			
NC10-67-B74	1				
67-B81		BRACKET, HARNESS-ENGINE			
NC10-67-B81A AN(NC10-67-B81B)	1				-8701
NC10-67-B81B	1				8701-
67-B82		BRKT, THROTTLE SENSOR			
NC10-67-B82A	1				
67-B84		BRACKET			
NC10-67-B72	1 (MT)				
NC13-67-B72A	1 (AT)				
67-070		HARNESS, ENGINE			
NC13-67-070F A (NC13-67-070H)	1 (AT)				-8701
NC10-67-070F A (NC10-67-070H)	1 (MT)				-8728
NC13-67-070H	1 (AT)				8701-9701
NC10-67-070H	1 (MT)				8728-9701
NC49-67-070A	1 (MT)				9701-
NC53-67-070A	1 (AT)				9701-
67-080E		WIRING, INJECTOR			
NC10-67-080C A (NC10-67-080D)	1				-8326
NC10-67-080D	1				8326-
67-246		HARNESS, EMISSION			
NC10-67-020D AN(NC10-67-020E)	1 (FED)				-8301
NC16-67-020D A (NC16-67-020E)	1 (CALIF)				-8301
NC10-67-020E	1 (FED)				8301-
NC16-67-020E	1 (CALIF)				8301-

8301 NB353M-109481
 8326 NB353M-113169
 8701 NB353M-121022
 8728 NB353M-121712
 9701 NB353M-138751

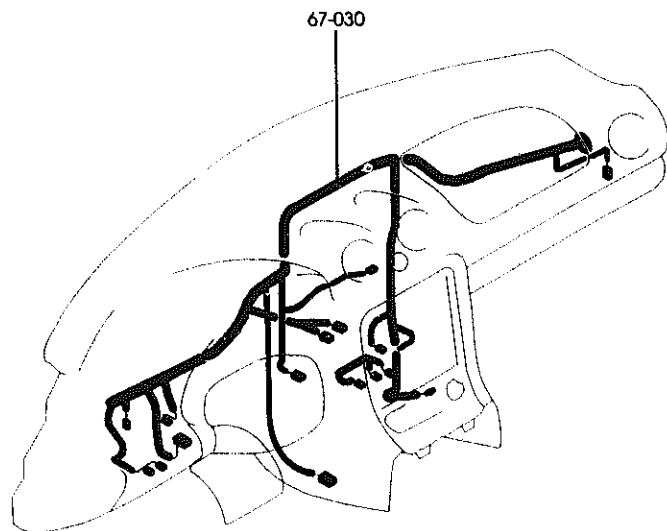
AUNA07

(1N04572)

CAT. AUNA07-05

2000-01

6702A DASHBOARD WIRING HARNESSSES



6702A -1 * DASHBOARD WIRING HARNESSSES

PART NO.	QTY	MODEL/RESTRICTION	MODEL/RESTRICTION	MODEL/RESTRICTION	FROM-TO
67-030		HARNESS, INSTRUMENT			
NC13-67-030	1	NON USA,			
NC10-67-030D A (NC10-67-030E)	1	(W/O POWER AMP)			-8C01
NC12-67-030D A (NC12-67-030E)	1	(W/POWER AMP)			-8C01
NC10-67-030E	1	(W/O POWER AMP, W/AUTO CRUISE. CONT.)			8C01-
NC11-67-030	1	(W/O POWER AMP, W/O A UTO CRUISE. CONT.)			8C01-
NC12-67-030E	1	(W/POWER AMP, W/AUTO CRUISE. CONT.)			8C01-
8C01 NB353M-124914					

AUNA07

+

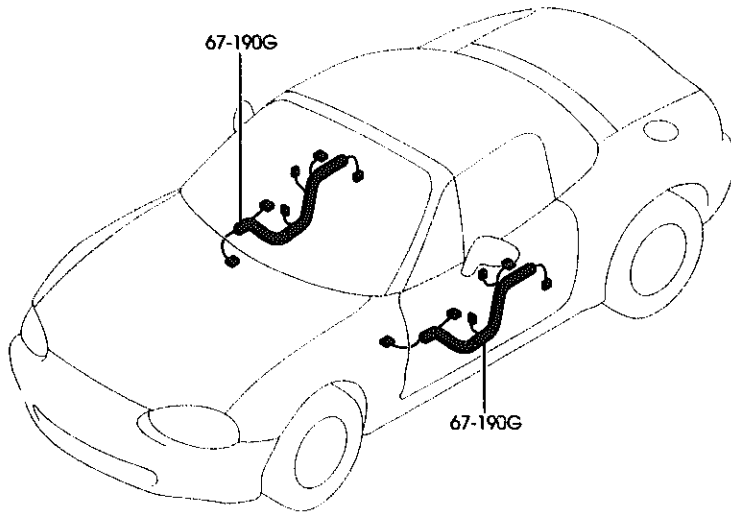
(1N02560)

CAT. AUNA07-05

2006-01

6703A DOOR, FLOOR & CEILING WIRING HARNESSSES

6703A -1 * DOOR, FLOOR & CEILING WIRING HARNESSSES



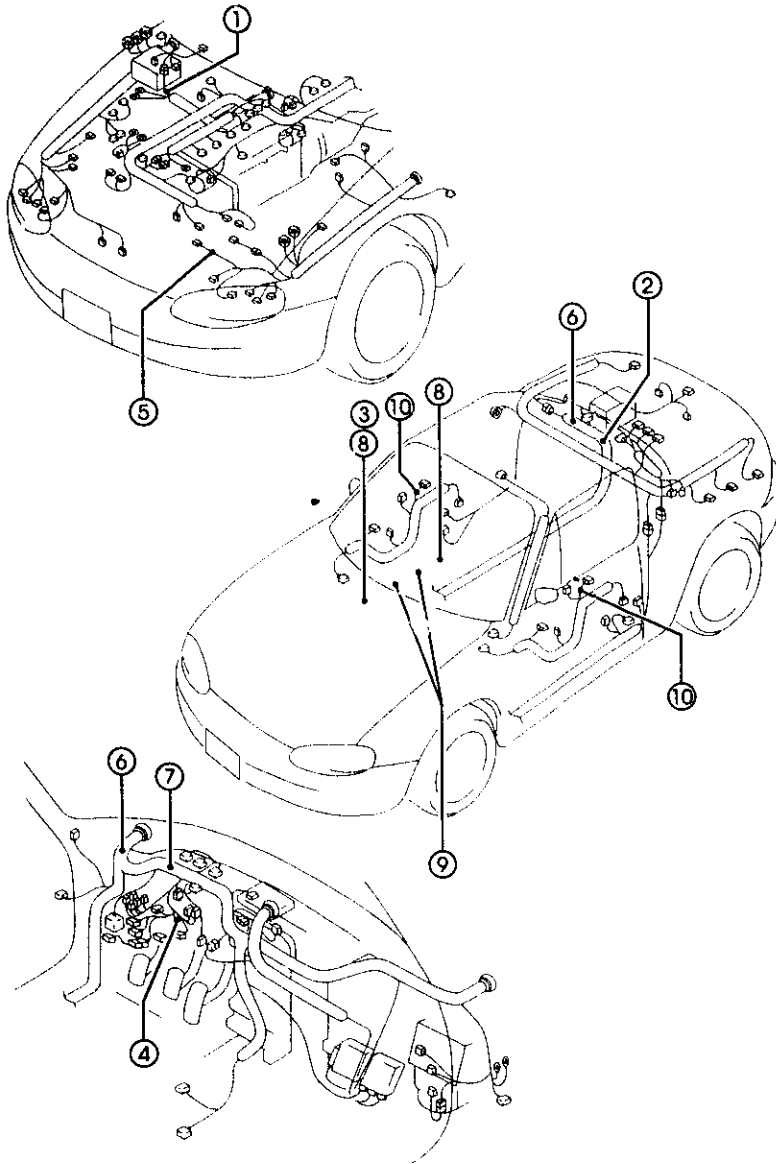
PART NO.	QTY	MODEL/RESTRICTION	MODEL/RESTRICTION	MODEL/RESTRICTION	FROM-TO
67-190G		HARNESS, DOOR			
NC13-67-190G	2	NON USA,			
NC14-67-190D	2	NON USA,			
NC15-67-190C A (NC15-67-190D)	2	(W/4-SPEAKER, W/POWER DOOR LOCK)			-7C03
NC11-67-190E A (NC11-67-190F)	2	(W/2-SPEAKER, W/D POW ER DOOR LOCK)			-8301
NC15-67-190D A (NC15-67-190E)	2	(W/4-SPEAKER, W/POWER DOOR LOCK)			7C03-6301
NC11-67-190F	2	(W/2-SPEAKER, W/O POW ER DOOR LOCK)			8301-
NC15-67-190E	2	(W/4-SPEAKER, W/POWER DOOR LOCK)			8301-
7C03 NB353*-10063 8301 NB353*-109481					

AUNA07

(1N03140)


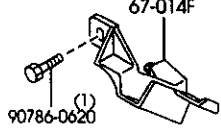


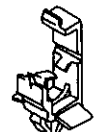
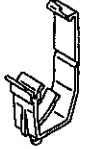
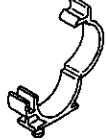



CAT. AUNA07-05

2000-01



AUNA07

(1N03601)

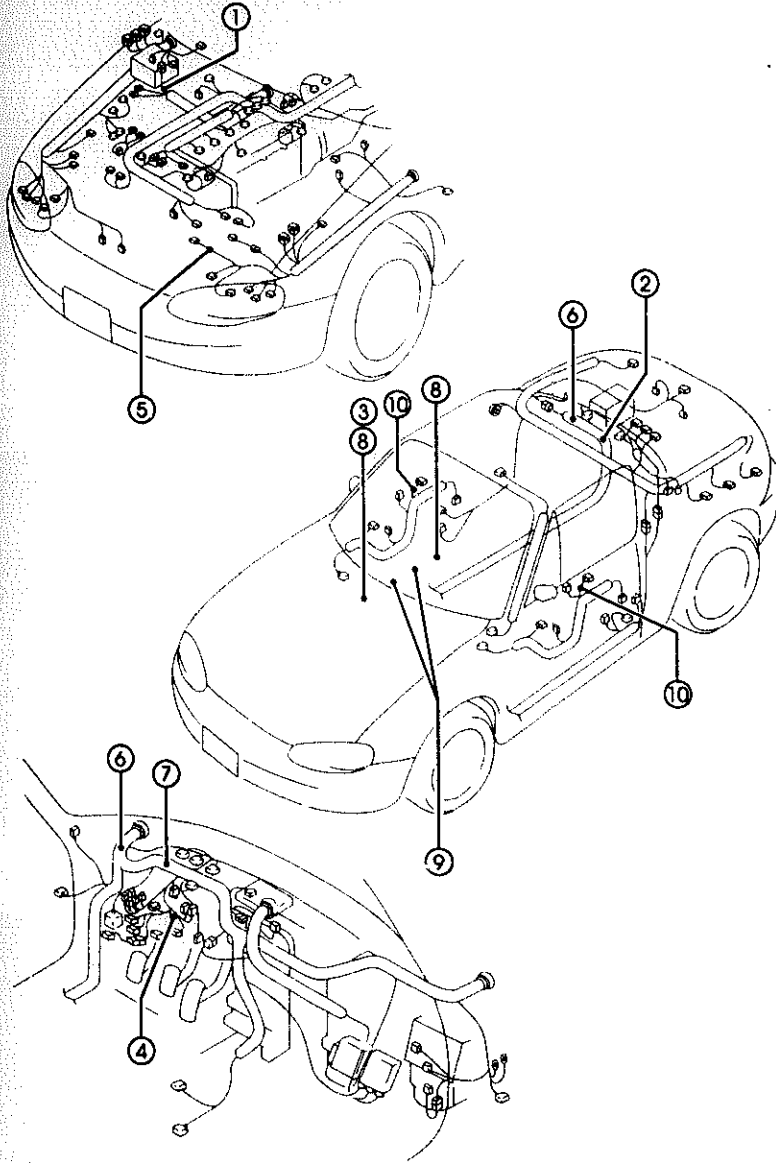
<p>① 67-013A</p> 	<p>② 67-014F</p> 	<p>③ 67-026</p> 	<p>④ 61-477C</p> 	
<p>⑤ 67-051E</p> 	<p>⑥ 67-052H</p> 	<p>⑦ 67-076</p> 	<p>⑧ 68-865</p> 	<p>⑨ 99264-0738⁽²⁾</p> 
<p>⑩ 68-425A</p> 				

AUNA07

(1N03602)

6704A WIRING HARNESS CLAMPS

(1/2)



AUNA07

(1N0360;)

6704A -1 * WIRING HARNESS CLAMPS

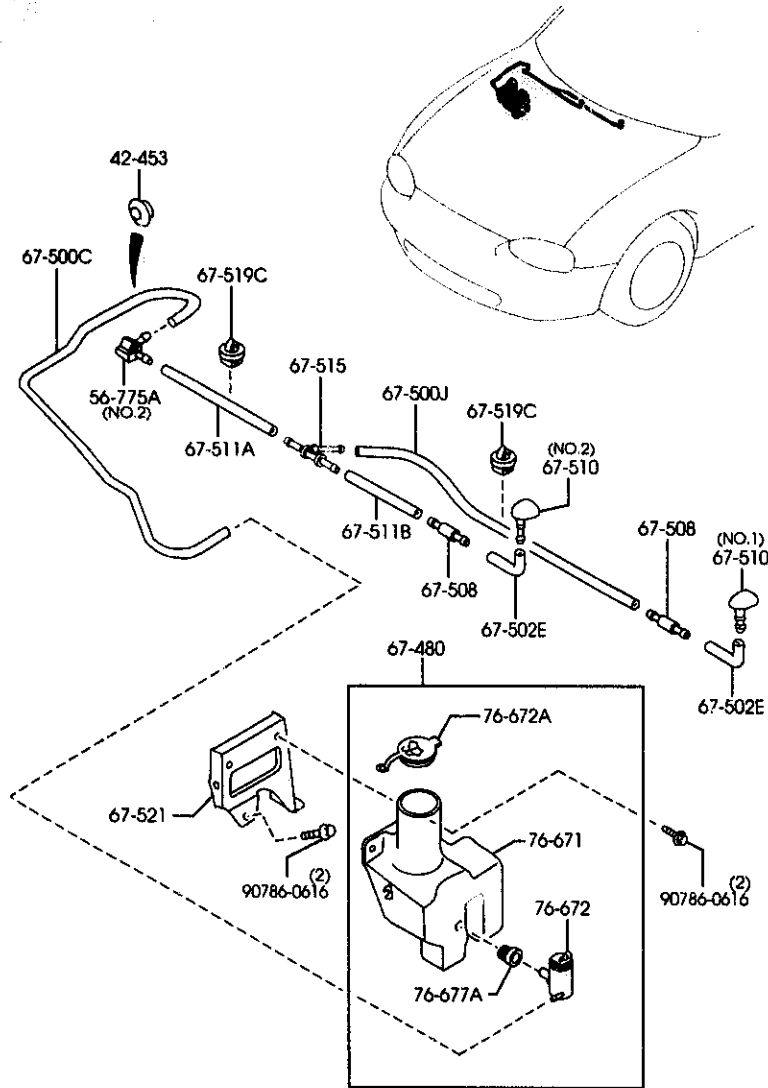
PART NO.	QTY	MODEL/RESTRICTION	MODEL/RESTRICTION	MODEL/RESTRICTION	FROM-TO
61-477C		CLIP			
002A-61-477	1	(W/O POWER DOOR LOCK)			
67-013A		CLIP			
BR70-67-CC6A	1				
67-014F		PROTECTOR, HARNESS			
NA01-67-P71	1				
67-026		CLIP, HARNESS			
NA02-67-CN5A	1				
67-051E		CLIP			
UB42-07-051	1				-8401
67-052H		CLIP			
0030-67-018A	2				
67-076		CLIP, ENGINE HARNESS			
NA01-67-CH8	1				
68-425A		COVER, HOLE			
WLA01-57-425A	2	(W/2-SPEAKER)			9118-
68-865		FASTENER			
BR70-68-865	2				

8401 NB353M-114005
9118 NB353M-128424

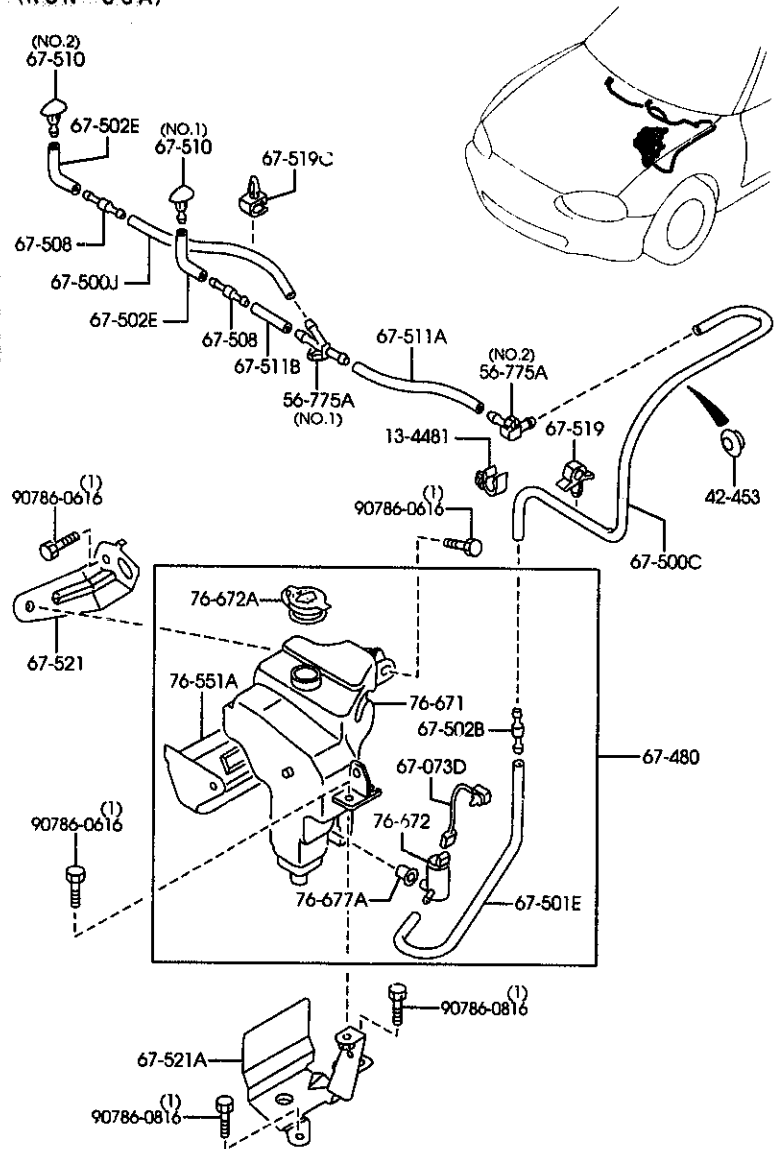
CAT. AUNA07-05

2000-01

(1. 5L WASHER TANK)



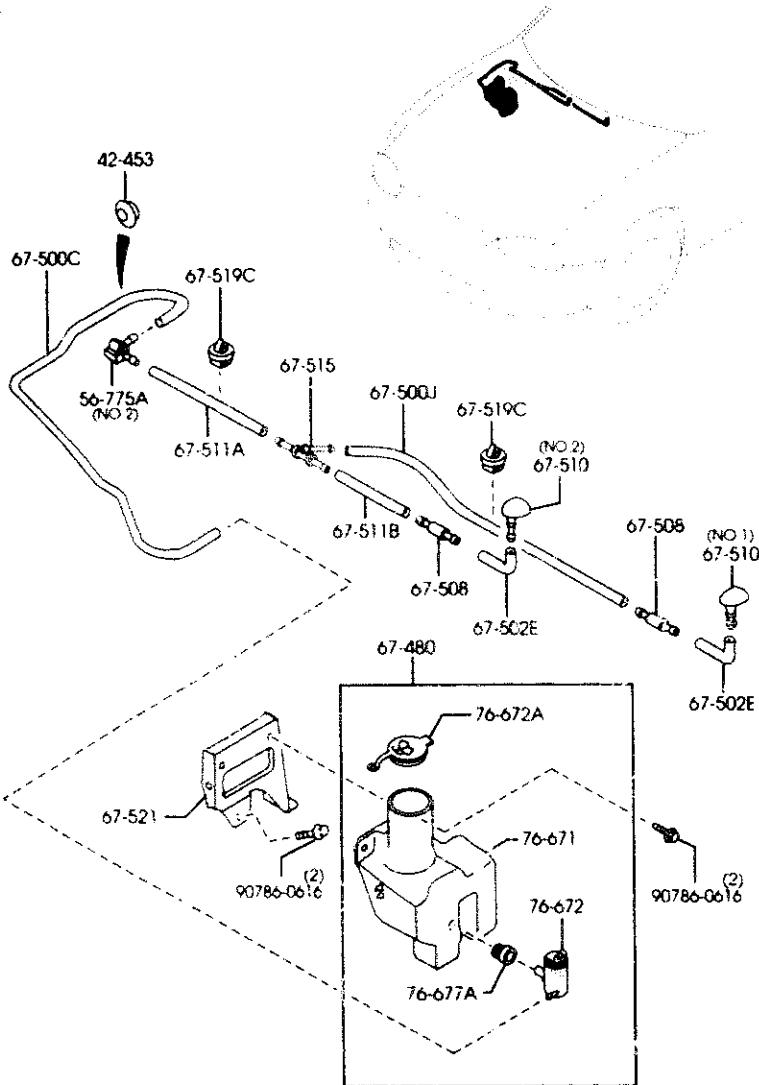
(NON USA)



6720A WINDSHIELD WASHER
(W/D ANTILOCK BRAKE)

(1/2)

(1.5L WASHER TANK)



6720A -1 WINDSHIELD WASHER
(W/D ANTILOCK BRAKE)

PART NO.	QTY	MODEL/RESTRICTION	MODEL/RESTRICTION	MODEL/RESTRICTION	FROM-TO
13-4481		CLIP			
NS26-20-011	1	NON USA,			
42-453		PROTECTOR,CABLE			
8048-42-453	1				
56-775A		CLIP,WASHER HOSE			
D061-67-505	1	NON USA, (ILLUST. NO.1)			
M020-67-505	1	(ILLUST. NO.2)			
47-073D		CORD			
NC14-67-509A	1	NON USA,			
47-480		TANK,WASHER-FRONT			
NA01-67-480A	1	(1.5L WASHER TANK)			
NC15-67-480E	1	NON USA,			
67-500C		PIPE,SCREEN WASHER			
NC11-67-501C	1	NON USA,			
NC10-67-501	1	(1.5L WASHER TANK)			-8801
AN(NC10-67-501A)	1	(1.5L WASHER TANK)			8801-9501
NC10-67-501A	1	(1.5L WASHER TANK)			9501-
AN(NC10-67-501B)	1	(1.5L WASHER TANK)			
NC10-67-501B	1	(1.5L WASHER TANK)			
67-500J		PIPE,SCREEN WASHER			
NC16-67-501	1				
67-501E		PIPE,NOZZLE-FRONT WA SHER			
NC17-67-501B	1	NON USA,			
67-502B		JOINT,HOSE			
DB05-67-502	1	NON USA,			
67-502E		JOINT,ELBOW-W.TANK			
S084-67-502	2				
67-508		VALVE,CHECK			
FAS4-67-508	2				
8801 NB353H-123277					
9501 NB353H-137711					

AUNA07

(1N04591)

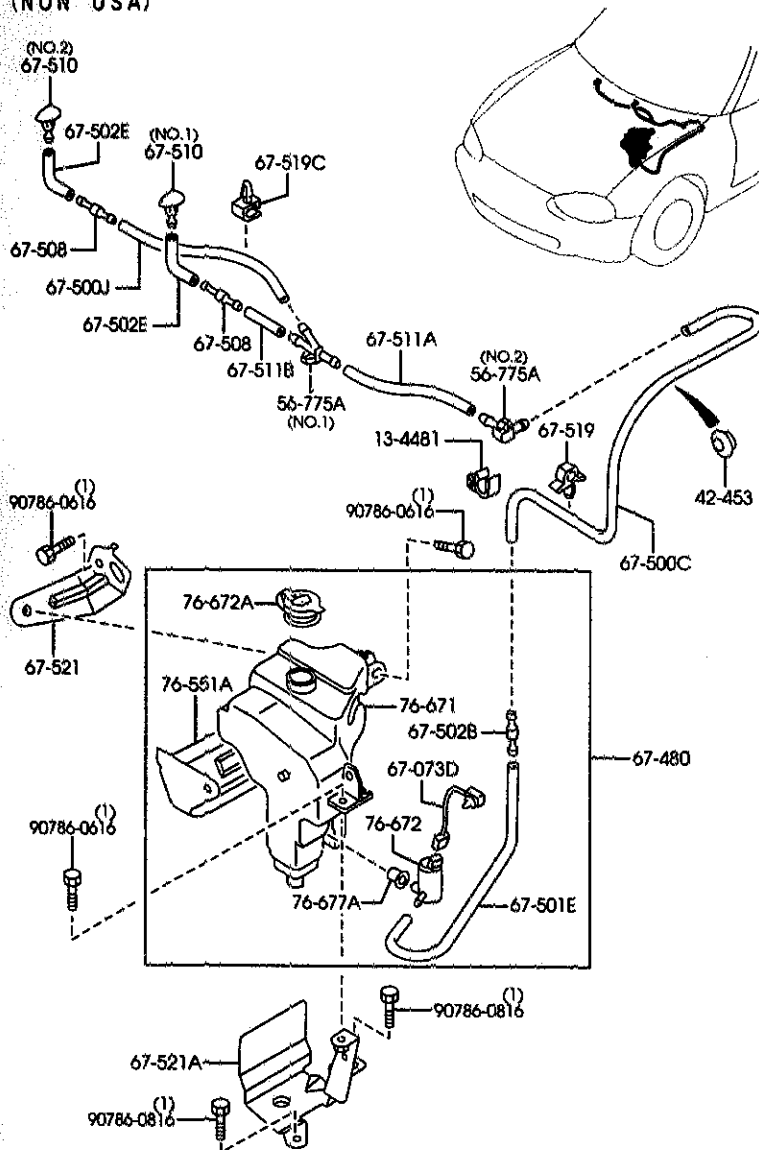
CAT. AUNA07-05

2000-01

6720A WINDSHIELD WASHER (W/D ANTILOCK BRAKE)

(2/2)

(NON USA)



AUNA07

(1N04592)

6720A -2 WINDSHIELD WASHER (W/D ANTILOCK BRAKE)

PART NO.	QTY	MODEL/RESTRICTION	MODEL/RESTRICTION	MODEL/RESTRICTION	FROM-TO
67-510		NOZZLE, WASHER-F. WIND			
NC10-67-510	1	(ILLUST. NO.1)			
NC11-67-510	1	(ILLUST. NO.2)			
67-511A		PIPE, SCREEN WASHER			
NC14-67-501	1				
67-511B		PIPE, SCREEN WASHER			
NC15-67-501	1				
67-515		CLIP			
GA2A-67-505	1	(1.5L WASHER TANK)			
67-519		CLIP, PIPE			
9030-67-519	1	NON USA,			
67-519C		CLIP			
FB02-67-519	1	NON USA,			
FB02-67-519	2	(1.5L WASHER TANK)			
67-521		BRACKET, WASHER TANK			
NC10-67-520A	1	(1.5L WASHER TANK)			
NC17-67-520B	1	NON USA,			
67-521A		BRACKET			
NC18-67-520A	1	NON USA,			
76-551A		INSULATOR			
NC15-67-454A	1	NON USA,			
76-671		TANK, WASHER			
NA01-67-481	1	(1.5L WASHER TANK)			
NC15-67-481B	1	NON USA,			
76-672		PUMP, WASHER			
S084-76-672	1				
76-672A		CAP, TANK			
UB39-51-815	1	(1.5L WASHER TANK)			
GJ21-67-483	1	NON USA,			

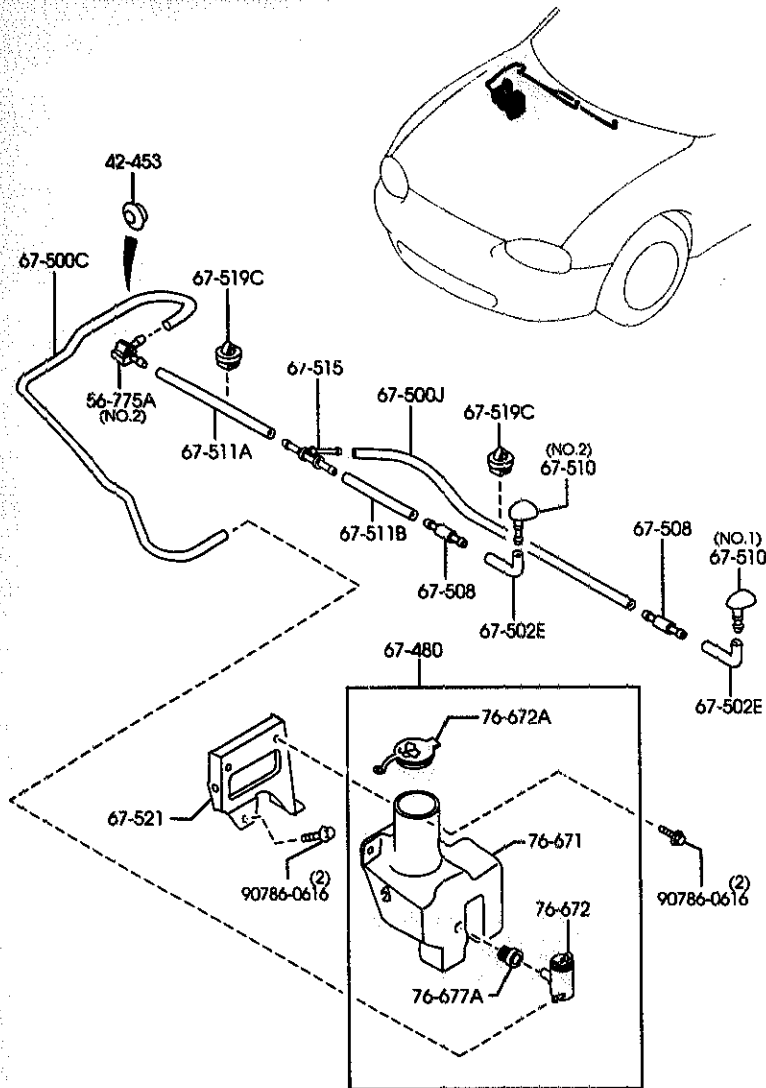
CAT. AUNA07-05

2000-01

6720A WINDSHIELD WASHER
(W/D ANTILOCK BRAKE)

(1/2)

(1. 5L WASHER TANK)



AUNA07

(1N04591)

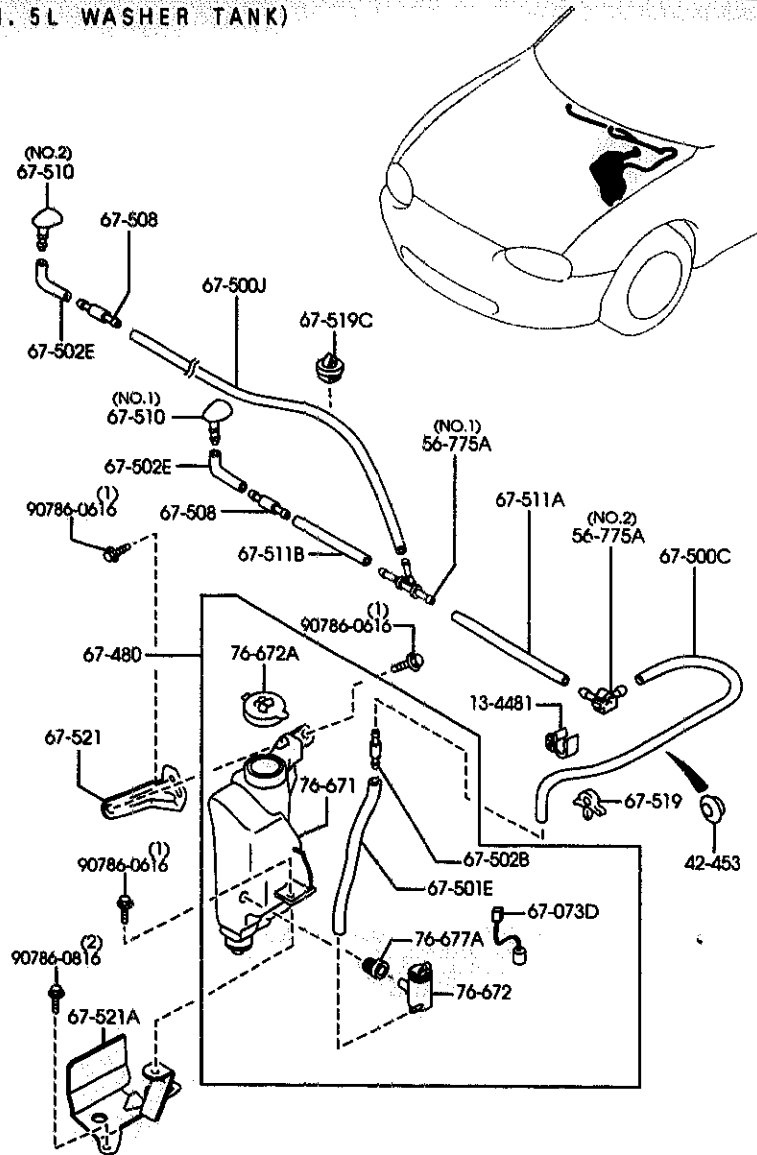
6720A -3 * WINDSHIELD WASHER
(W/D ANTILOCK BRAKE)

PART NO.	QTY	MODEL/RESTRICTION	MODEL/RESTRICTION	MODEL/RESTRICTION	FROM-TO
76-677A		GROMMET, WASHER TANK			
5884-76-677	1				

CAT: AUNA07-05

2000-01

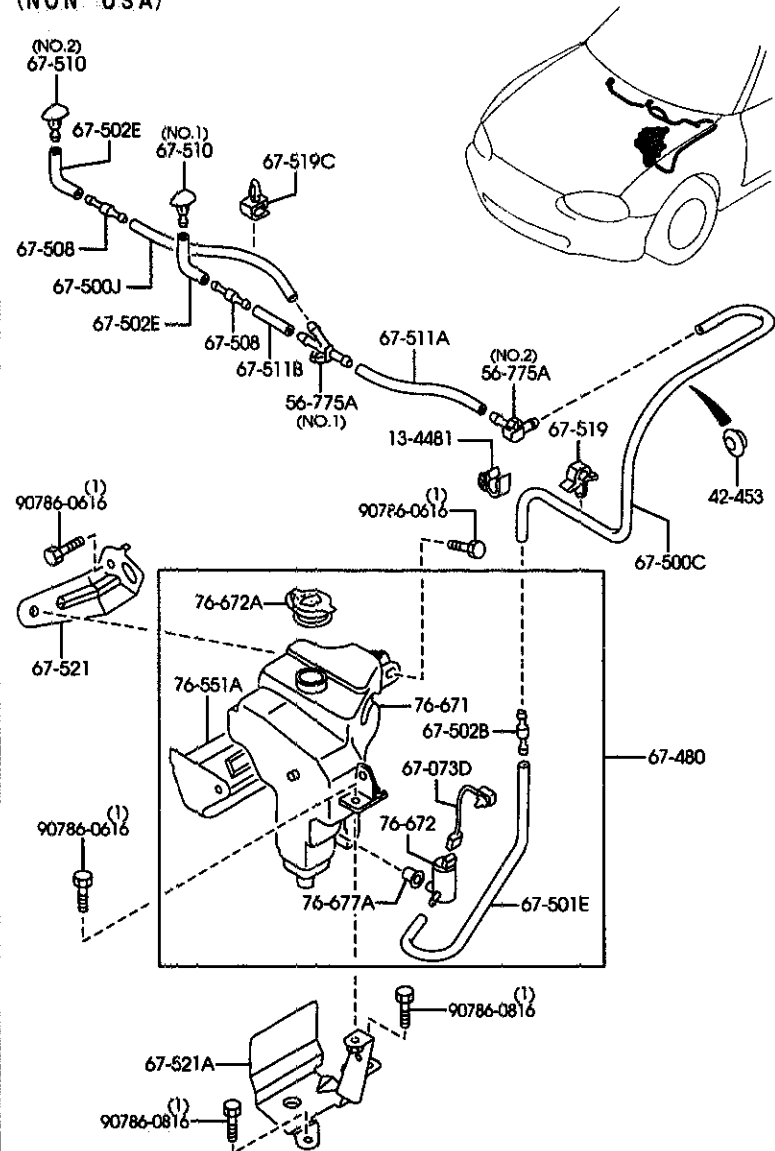
(1. 5L WASHER TANK)



AUNA07

(1N04601)

(NON USA)



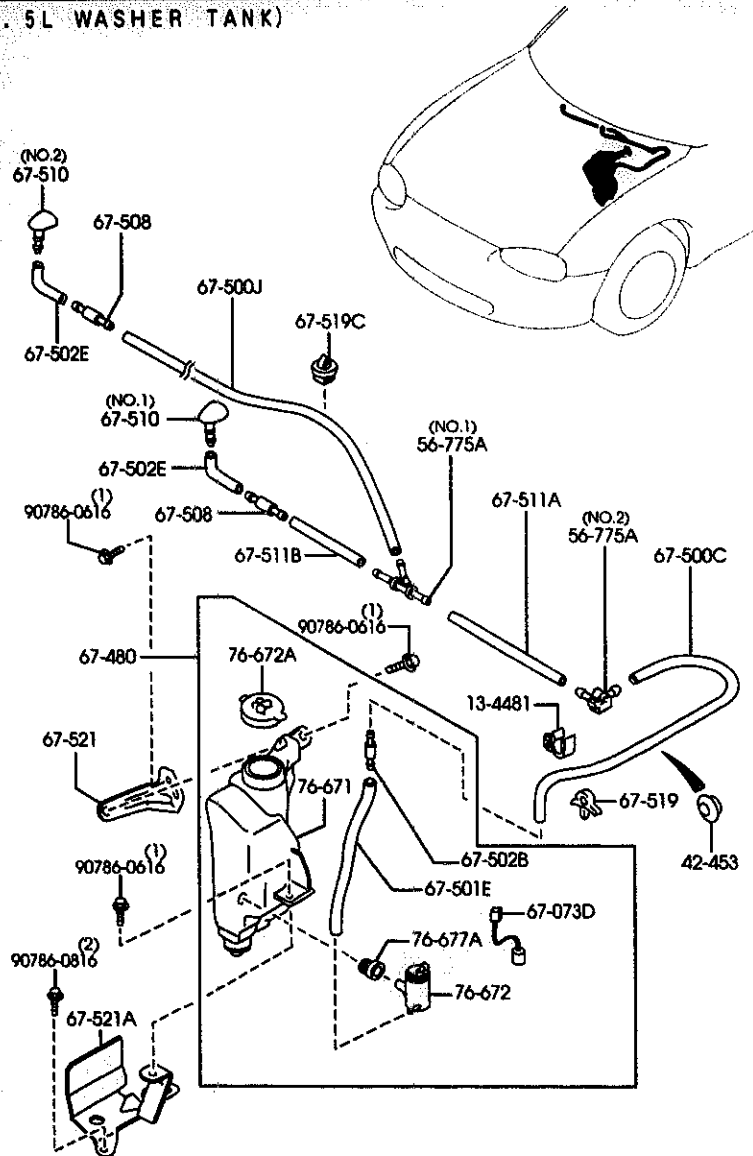
AUNA07

(1N04602)

67208 WINDSHIELD WASHER
(W/AUTILOCK BRAKE)

(1/2)

(1. 5L WASHER TANK)



AUNA07

(1N04601)

67208 -1 WINDSHIELD WASHER
(W/AUTILOCK BRAKE)

PART NO.	QTY	MODEL/RESTRICTION	MODEL/RESTRICTION	MODEL/RESTRICTION	FROM-TO
13-4481		CLIP			
NS26-20-811	1	(W/AUTO CRUISE CONT.)			
42-453		PROTECTOR, CABLE			
S048-42-453	1				
56-775A		CLIP, WASHER HOSE			
D061-67-505	1	(ILLUST. NO. 1)			
ND20-67-505	1	(ILLUST. NO. 2)			
67-073D		CORD			
NC14-67-509A	1				
67-480		TANK, WASHER-FRONT			
NC14-67-480D	1	(1.5L WASHER TANK)			
NC15-67-480E	1	NON USA,			
67-500C		PIPE, SCREEN WASHER			
NC11-67-501C	1				
67-500J		PIPE, SCREEN WASHER			
NC16-67-501	1				
67-501E		PIPE, NOZZLE-FRONT WASHER			
NC17-67-501B	1				
67-502B		JOINT, HOSE			
D005-67-502	1				
67-502E		JOINT, ELBOW-W. TANK			
S084-67-502	2				
67-508		VALVE, CHECK			
FA54-67-508	2				
67-510		NOZZLE, WASHER-F. WIND			
NC10-67-510	1	(ILLUST. NO. 1)			
NC11-67-510	1	(ILLUST. NO. 2)			

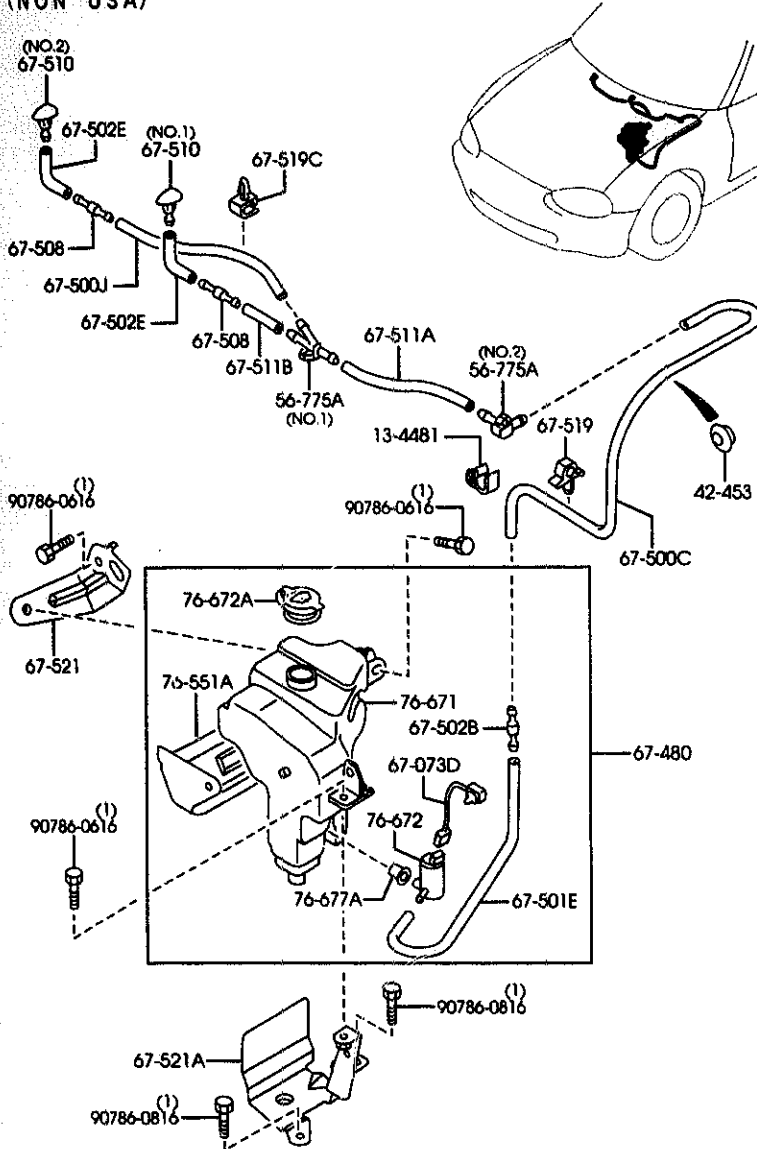
CAT. AUNA07-05

2000-01

6720B WINDSHIELD WASHER
(W/ANTILOCK BRAKE)

(2/2)

(NON USA)



AUNA07

(1N04602)

6720B -2 * WINDSHIELD WASHER
(W/ANTILOCK BRAKE)

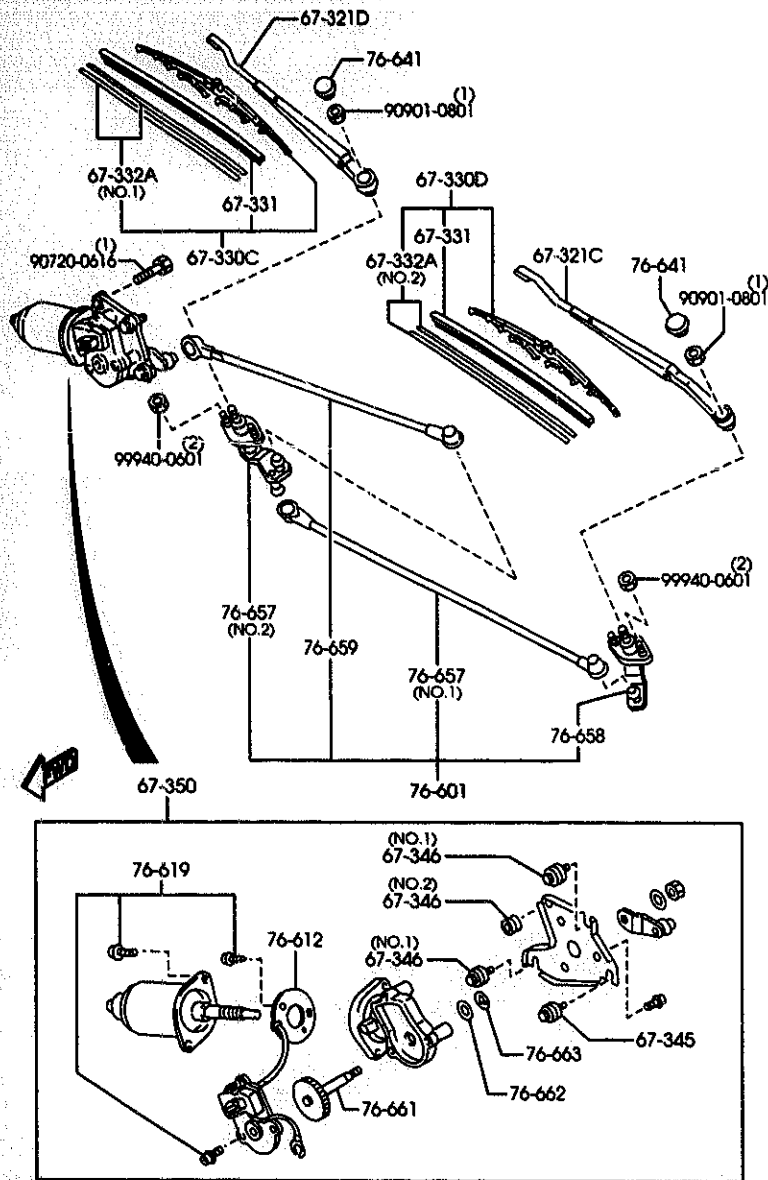
PART NO.	QTY	MODEL/RESTRICTION	MODEL/RESTRICTION	MODEL/RESTRICTION	FROM-TO
67-511A		PIPE, SCREEN WASHER			
NC14-67-501	1				
67-511B		PIPE, SCREEN WASHER			
NC15-67-501	1				
67-519		CLIP, PIPE			
6030-67-519	1	(W/D AUTO CRUISE CONTROL)			
67-519C		CLIP			
FB02-67-519	1				
67-521		BRACKET, WASHER TANK			
NC17-67-520B	1				
67-521A		BRACKET			
NC18-67-520A	1				
76-551A		INSULATOR			
NC15-67-454A	1	NON USA,			
76-671		TANK, WASHER			
NC14-67-481A	1	(1.5L WASHER TANK)			
NC15-67-481B	1	NON USA,			
76-672		PUMP, WASHER			
S084-76-672	1				
76-672A		CAP, TANK			
GJ21-67-483	1				
76-677A		GROMMET, WASHER TANK			
S084-76-677	1				

CAT. AUNA07-05

2000-01

6730A WINDSHIELD WIPERS

6730A -1 WINDSHIELD WIPERS



PART NO.	QTY	MODEL/RESTRICTION	MODEL/RESTRICTION	MODEL/RESTRICTION	FROM-TO
67-321C		ARM,WIPER-DRIVER SIDE			
NC10-67-321	1				
67-321D		ARM,WIPER-PASS. SIDE			
NC11-67-321	1				
67-330C		BLADE(R),WIPER-FRONT			
NC11-67-330	1				
67-330D		BLADE(L),WIPER-FRONT			
NC10-67-330	1				
67-331		RUBBER,BLADE-FRONT			
B16B-67-333	2				
67-332A		PLATE,BACKING			
NA10-67-332	1	(ILLUST. NO.1)			
NC33-67-332	1	(ILLUST. NO.2)			
67-345		SCREW,EARTH SET-MOTOR BRK			
NA01-67-345	1				
67-346		SCREW,BRACKET-WIPER MOTOR			
NA01-67-346	2	(ILLUST. NO.1)			
NA23-67-346	1	(ILLUST. NO.2)			
67-350		MOTOR,WIPER			
NA04-67-340D	1	NON USA,			
NA01-67-340D	1	(EXC. COLD SPEC)			-7C01
NA01-67-340E	1	(EXC. COLD SPEC)			7C61-
76-601		LINK,WIPER			
NC10-67-360A	1				-7C01
NC10-67-360B	1				7C01-
76-612		PLATE,HOLDER-BRUSH			
NA23-67-351	1	(EXC. COLD SPEC)			
NA26-67-351	1	NON USA,			

7C01 NB353M-100063

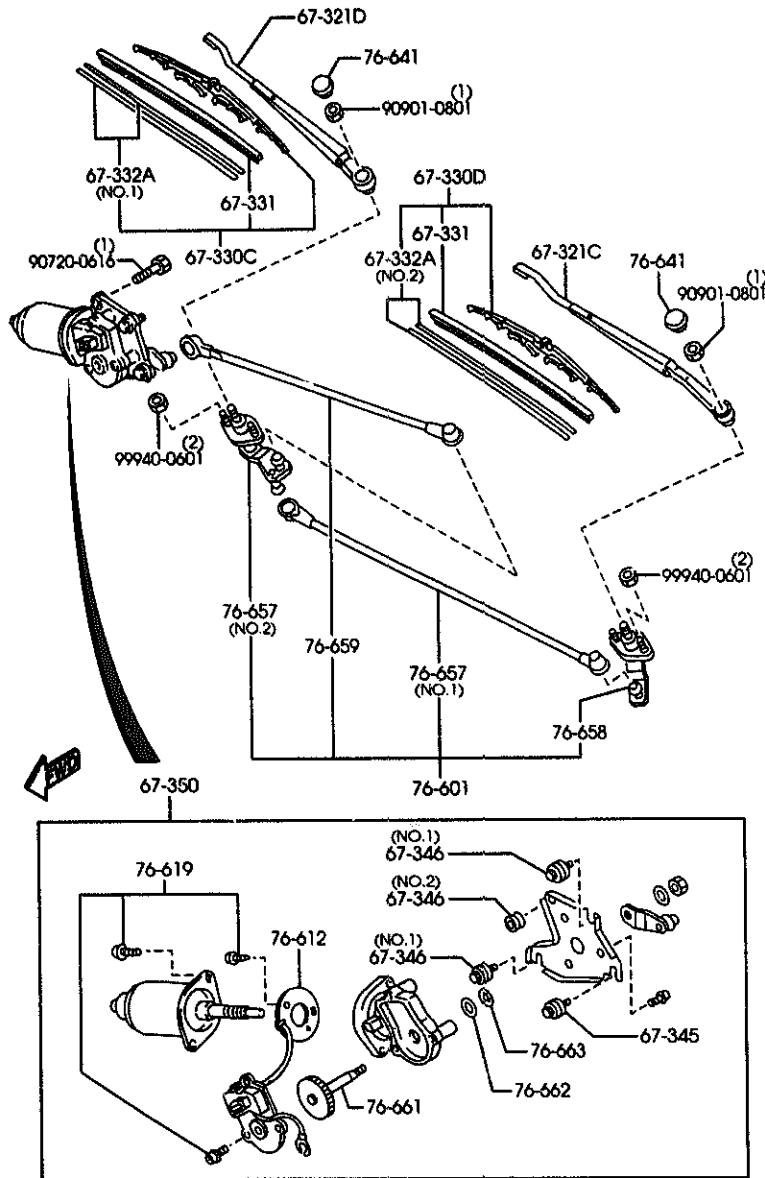
AUNA07

(1N03110)

CAT. AUNA07-05

2000-01

6730A WINDSHIELD WIPERS



AUNA07

(1N03110)

6730A -2 W WINDSHIELD WIPERS

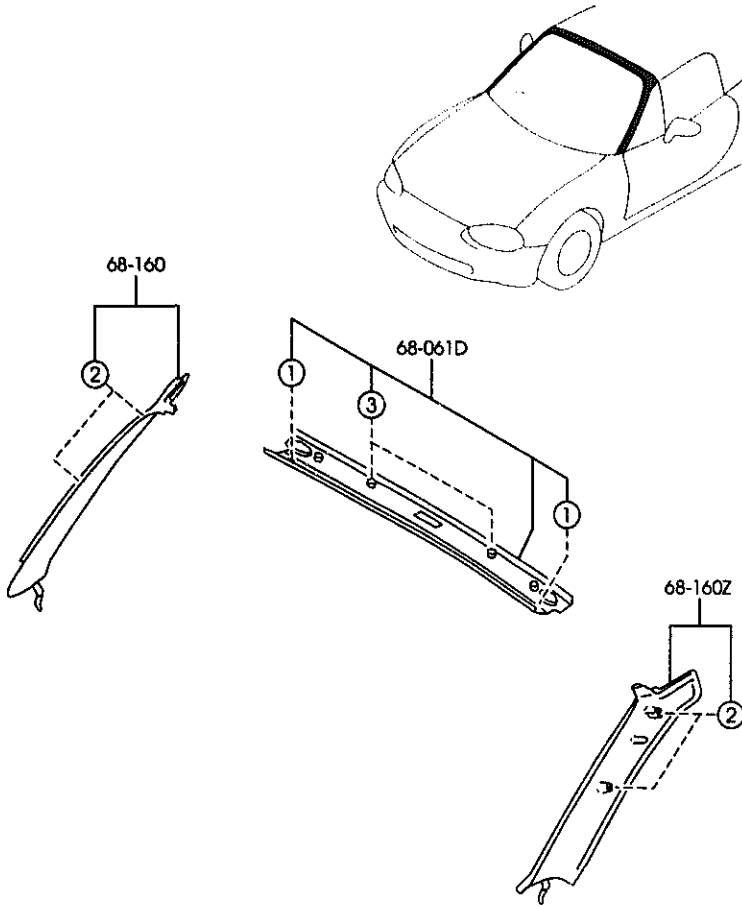
PART NO.	QTY	MODEL/RESTRICTION	MODEL/RESTRICTION	MODEL/RESTRICTION	FROM-TO
76-619		PARTS SET			
H043-76-619A	1				
76-641		COVER, WIPER ARM-FRONT			
LA01-67-395C	2				
76-657		SHAFT, DRIVE NO. 1			
NC10-67-362	1	(ILLUST. NO. 1)			
NC10-67-363A	1	(ILLUST. NO. 2)			
76-658		SHAFT, DRIVE NO. 2			
NC10-67-364A	1				
76-659		ARM NO. 1, LINK			
NC10-67-361	1				
NC10-67-361A	1				
76-661		GEAR, SHAFT			
NA23-67-354	1				
76-662		WASHER			
B094-76-662	1				
76-663		WASHER, TOOTHED			
B094-76-663	1				
-7C01					
7C01-					
7C01 NB353*-100063					

CAT. AUNA07-05

2000-01

6820A FRONT HEADER TRIM & PILLAR TRIMS

6820A -1 * FRONT HEADER TRIM & PILLAR TRIMS



①	②	③
68-AD2	68-865S	68-865U

PART NO.	QTY	MODEL/RESTRICTION	MODEL/RESTRICTION	MODEL/RESTRICTION	FROM-TO
68-AD2		CLIP			
B455-68-AD2	2				
68-061D		TRIM,FRONT HEADER			
NA01-68-090E	1				
00	INT-	NB0 NB1 NB2 NB6 NB7 BLACK			
68-160		TRIM(R),'A'PILLAR			
NC10-68-160A	1				
02	INT-	NB0 NB1 NB2 NB6 NB7 BLACK			
68-160Z		TRIM(L),'A'PILLAR			
NC10-68-170A	1				
02	INT-	NB0 NB1 NB2 NB6 NB7 BLACK			
68-865S		CLIP,TRIM			
GJ12-68-865	4				
68-865U		CLIP,TRIM			
GJ21-68-865	2				

AUNA07

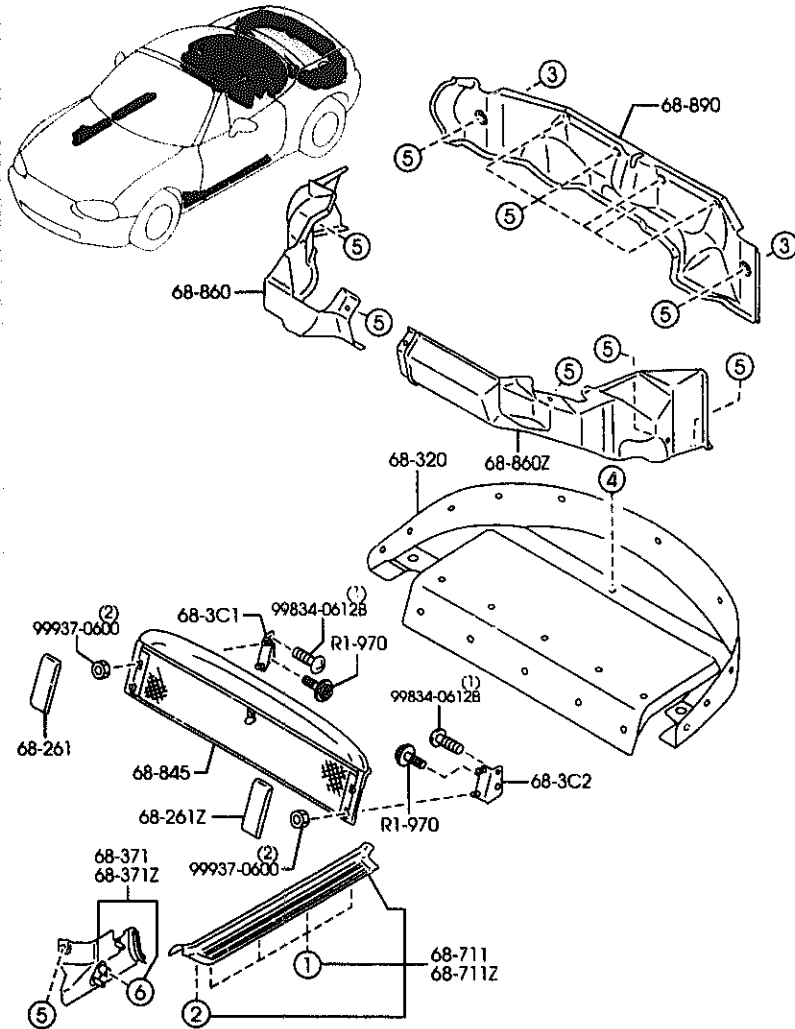
(1N05040)

CAT. AUNA07-05

2000-01

6840A TRIMS & SCUFF PLATES

6840A -1 TRIMS & SCUFF PLATES



①	②	③	④	⑤	⑥
68-AD3	68-712D	68-86Y	68-865	68-865Q	68-865S

AUNA07

(1N06510)

PART NO.	QTY	MODEL/RESTRICTION	MODEL/RESTRICTION	MODEL/RESTRICTION	FROM-TO
R1-970		HOOK, REAR DECK			
NC10-R1-970B	2				
68-AD3		CLIP, SCUFF PLATE			
G25D-68-AD3	8				
68-261		COVER(R), BELT			
N053-68-3R1A	1	(W/AERO BOARD)			-7C03
02	INT-	NB0 BLACK			
21	INT-	NB1 TAN			
N053-68-3R1B	1	(W/AERO BOARD)			7C03-8C03
02	INT-	NB0 BLACK			
21	INT-	NB1 TAN			
N053-68-3R1C	1	(W/AERO BOARD)			8C03-
02	INT-	NB0 NB2 BLACK			
21	INT-	NB1 TAN			
* 80	INT-	NB6 NB7 BEIGE			
68-261Z		COVER(L), BELT			
N054-68-3R1A	1	(W/AERO BOARD)			-7C03
02	INT-	NB0 BLACK			
21	INT-	NB1 TAN			
N054-68-3R1B	1	(W/AERO BOARD)			7C03-8C03
02	INT-	NB0 BLACK			
21	INT-	NB1 TAN			
N054-68-3R1C	1	(W/AERO BOARD)			8C03-
02	INT-	NB0 NB2 BLACK			
21	INT-	NB1 TAN			
* 80	INT-	NB6 NB7 BEIGE			
68-3C1		BRACKET(R), PKG TRIM			
N053-68-3CX	1	(W/AERO BOARD)			
02	INT-	NB0 NB2 BLACK			
21	INT-	NB1 TAN			
* 80	INT-	NB6 NB7 BEIGE			

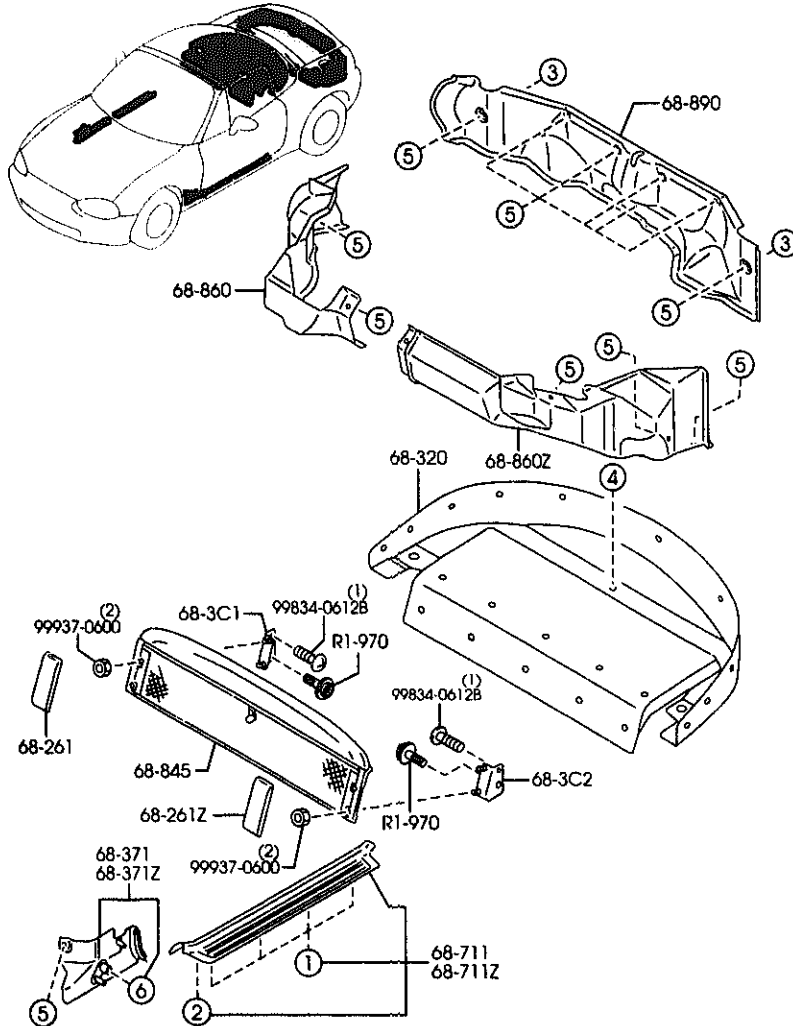
7C03 NB353*-100063
8C03 NB353*-125134

CAT. AUNA07-05

2000-01

6840A TRIMS & SCUFF PLATES

6840A -2 TRIMS & SCUFF PLATES



①	②	③	④	⑤	⑥
68-AD3	68-712D	68-86Y	68-865	68-865Q	68-865S

AUNA07

(1N06510)

PART NO.	QTY	MODEL/RESTRICTION	MODEL/RESTRICTION	MODEL/RESTRICTION	FROM-TO
68-3C2		BRACKET(L),PKG TRIM			
N053-68-3CY	1	(W/AERO BOARD)			
02	INT-	NB0 NB2 BLACK			
21	INT-	NB1 TAN			
* 80	INT-	NB6 NB7 BEIGE			
68-320		TRAY,REAR PACKAGE			
NC10-68-3F1D	1	((MT))>(5-SP) (AT)			
02	INT-	NB0 BLACK			
21	INT-	NB1 TAN			
55	INT-	NB2 BLUE			
N055-68-3F1	1	((MT))>(6-SP)			
02	INT-	NB0 BLACK			
21	INT-	NB1 BROWN			
55	INT-	NB2 BLUE			
* 80	INT-	NB6 NB7 BEIGE			
68-371		TRIM(R),FRONT SIDE			
NC10-68-370A	1				
02	INT-	NB0 NB2 BLACK			
21	INT-	NB1 TAN			
* 80	INT-	NB6 NB7 BEIGE			
68-371Z		TRIM(L),FRONT SIDE			
NC10-68-390A	1				
02	INT-	NB0 NB2 BLACK			
21	INT-	NB1 TAN			
* 80	INT-	NB6 NB7 BEIGE			
68-711		PLATE(R),FRONT SCUFF			
*NC65-68-710B	1	((MT))>(6-SF)>('80 MO DEL)			
* 02	INT-	NB0 NB2 BLACK			
* 21	INT-	NB1 TAN			
* 80	INT-	NB6 NB7 BEIGE			
NC10-68-710B	1	((MT))>(5-SP) (AT)			
-8903					

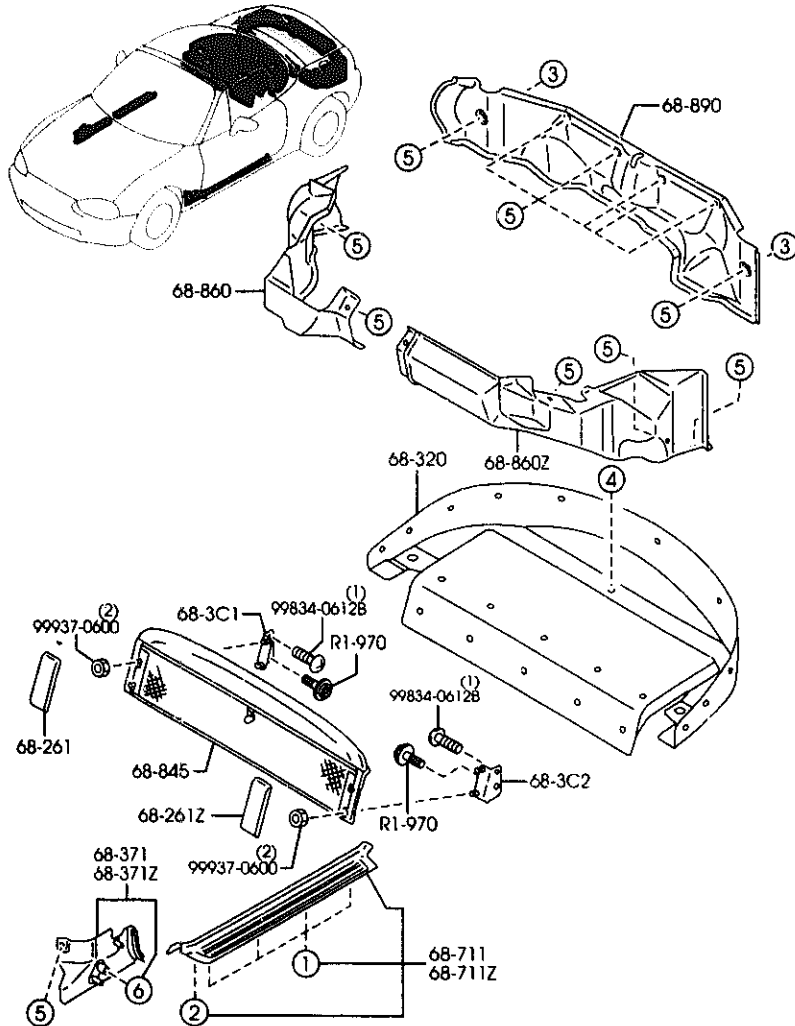
8903 NB353M-122341

CAT. AUNA07-05

2000-01

6840A TRIMS & SCUFF PLATES

6840A -3 TRIMS & SCUFF PLATES



①	②	③	④	⑤	⑥
68-AD3	68-712D	68-86Y	68-865	68-865Q	68-865S

AUNA07

(1N06510)

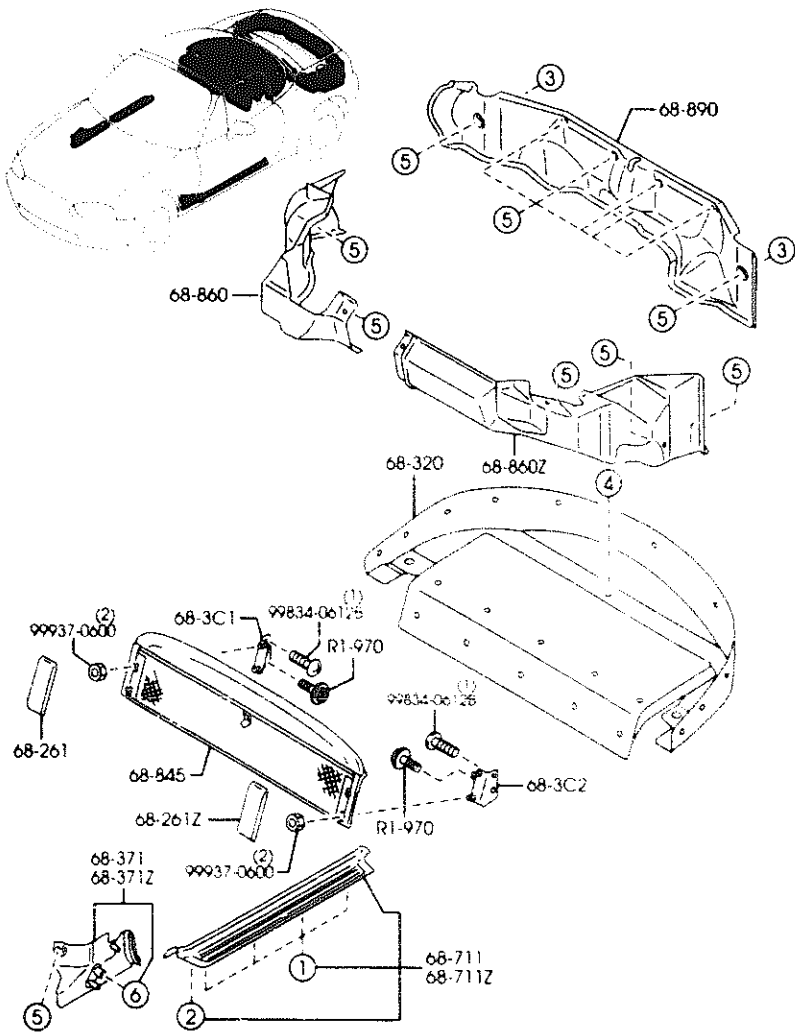
PART NO.	QTY	MODEL/RESTRICTION	MODEL/RESTRICTION	MODEL/RESTRICTION	FROM-TO
CONT'D					
02	INT-	NB0 NB2 BLACK			
21	INT-	NB1 TAN			
NC65-68-710	1	((MT))<(6-SP)><('99 MD DEL))			-9601
02	INT-	NB0 NB2 BLACK			
21	INT-	NB1 TAN			
NC10-68-710C	1	((MT))<(5-SP)) (AT)			8903-
02	INT-	NB0 NB2 BLACK			
21	INT-	NB1 TAN			
* 80	INT-	NB6 NB7 BEIGE			
		↑ 68-711Z ↓	PLATE(L),FRONT SCUFF		
*NC65-68-720B	1	((MT))<(6-SP)><('00 MD DEL))			
* 02	INT-	NB0 NB2 BLACK			
* 21	INT-	NB1 TAN			
* 80	INT-	NB6 NB7 BEIGE			
NC10-68-720B	1	((MT))<(5-SP)) (AT)			-8903
02	INT-	NB0 NB2 BLACK			
21	INT-	NB1 TAN			
NC65-68-720	1	((MT))<(6-SP)><('99 MD DEL))			-9601
02	INT-	NB0 NB2 BLACK			
21	INT-	NB1 TAN			
NC10-68-720C	1	((MT))<(5-SP)) (AT)			8903-
02	INT-	NB0 NB2 BLACK			
21	INT-	NB1 TAN			
* 80	INT-	NB6 NB7 BEIGE			
		↑ 68-712D ↓	CLIP		
B456-68-712	2				
		↑ 68-845 ↓	BOARD,AIP		
N053-68-3X0B	1	(W/AERO BOARD)			-7C03
02	INT-	NB0 BLACK			
7C03 NB353*-100063					
8903 NB353*-122341					
9601 NB353*-138251					

CAT. AUNA07-05

2000-01

6840A TRIMS & SCUFF PLATES

6840A -4 TRIMS & SCUFF PLATES



①	②	③	④	⑤	⑥
68-AD3	68-712D	68-86Y	68-865	68-865Q	68-865S

ALINA07

(1N06510)

PART NO.	QTY	MODEL/RESTRICTION	MODEL/RESTRICTION	MODEL/RESTRICTION	FROM-TO
CONT'D					
21	INT-	NB1 TAN			
N053-68-3X0C	1	(W/AERO BOARD)			7C03-BC03
02	INT-	NB0 NB2 BLACK			
21	INT-	NB1 TAN			
N053-68-3X0E	1	(W/AERO BOARD)			8C03-
02	INT-	NB0 NB2 BLACK			
21	INT-	NB1 TAN			
* 80	INT-	NB6 NB7 BEIGE			
↑ 68-86Y ↓		CAP, SEAL-TRUNK END T			
KA01-68-86YA	2	RIM			
↑ 68-860 ↓		TRIM(R), TRUNK SIDE			
NC10-68-851	1				
04	INT-	NB0 NB1 NB2 NB6 NB7			
		BLACK			
↑ 68-860Z ↓		TRIM(L), TRUNK SIDE			
NC10-68-871	1				
04	INT-	NB0 NB1 NB2 NB6 NB7			
		BLACK			
↑ 68-865 ↓		FASTENER			
G032-68-865A	10				
00	INT-	NB0 BLACK			
39	INT-	NB1 SADDLE			
58	INT-	NB2 LAPIS BLUE			
* 80	INT-	NB6 NB7 BEIGE			
↑ 68-865Q ↓		FASTENER			
GJ21-68-865B	14				
02	INT-	NB0 NB2 BLACK			
21	INT-	NB1 TAN			
* 80	INT-	NB6 NB7 BEIGE			
↑ 68-865S ↓		CLIP, TRIM			
GJ12-68-865	2				

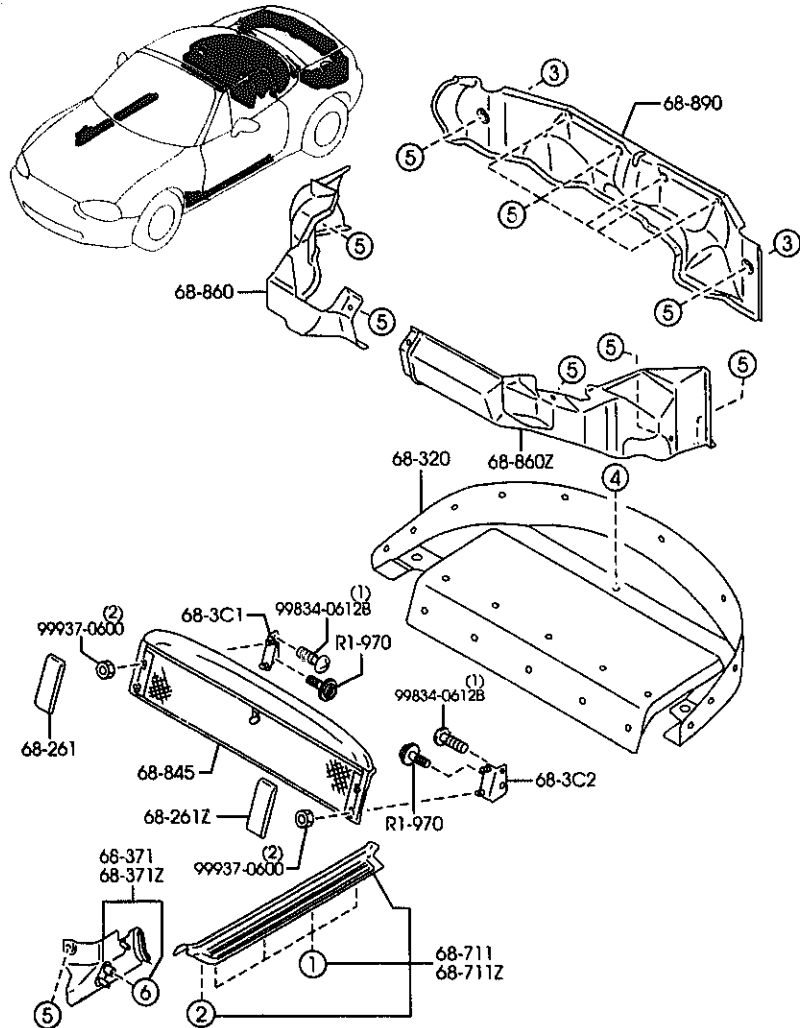
7C03 NB353M-10063
8C03 NB353M-125134

CAT. AUNA07-05

2000-01

6840A TRIMS & SCUFF PLATES

6840A -5 * TRIMS & SCUFF PLATES



①	②	③	④	⑤	⑥
68-AD3	68-712D	68-86Y	68-865	68-865Q	68-865S

AUNA07

(1N06510)

PART NO.	QTY	MODEL/RESTRICTION	MODEL/RESTRICTION	MODEL/RESTRICTION	FROM-TO
68-890		TRIM, TRUNK END			
NC10-68-891A	1				-0201
04	INT-	NB0 NB1 NB2 NB6 NB7 BLACK			
MNC49-68-891	1				0201-
* 04	INT-	NB0 NB1 NB2 NB6 NB7 BLACK			

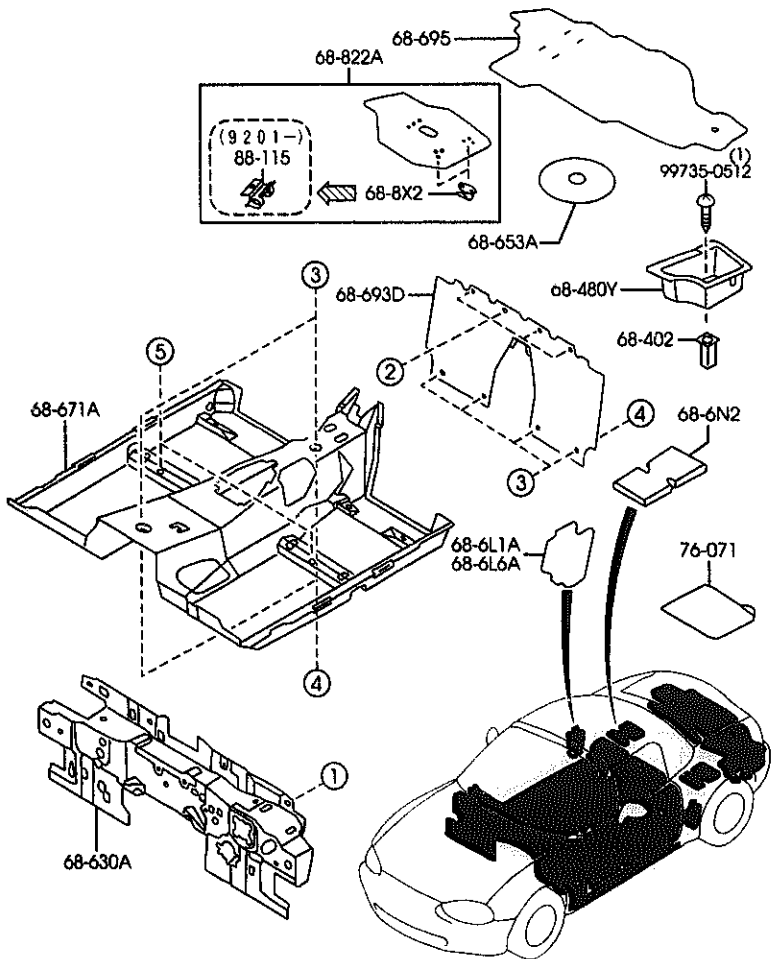
CAT. AUNA07-05

2000-01

6860A FLOOR MATS & PADS

6860A -1 FLOOR MATS & PADS

①	②	③	④	⑤
68-615B	68-865	68-865D	68-866C	69-885C



PART NO.	QTY	MODEL/RESTRICTION	MODEL/RESTRICTION	MODEL/RESTRICTION	FROM-TO
68-402		GROMMET, SCREW			
B110-68-429	1				
68-480Y		POCKET(L)			
NC10-68-8F6A	1				
68-6L1A		COVER(R), HOLE			
NA01-68-6L1	1				
68-6L6A		COVER(L), HOLE			
NA01-68-6L6	1				
68-6N2		INSULATOR, RR FLOOR			
NA01-68-6N2	2				-7C17
AN(NA01-68-6N2A)					
NA01-68-6N2A	2				7C17-
68-615B		NUT, FLANGE-CAP			
B100-68-615	9				
68-630A		INSULATOR, DASHBOARD			
NC10-68-63XC	1				
68-653A		INSULATOR, SPARE TIRE			
B01C-68-8L1	1				
68-671A		MAT, FLOOR			
NC10-68-670C	1				-8201
02	INT-	NB0 BLACK			
21	INT-	NB1 TAN			
NC10-68-670D	1				8201-
02	INT-	NB0 BLACK			
21	INT-	NB1 TAN			
55	INT-	NB2 BLUE			
* 80	INT-	NB6 NB7 BEIGE			
68-693D		MAT, REAR END			
NC10-68-693C	1	((NT)>(5-SP)) (AT)			
02	INT-	NB0 BLACK			
7C17 NB353M-101341					
8201 NB353M-106406					

AUNA07

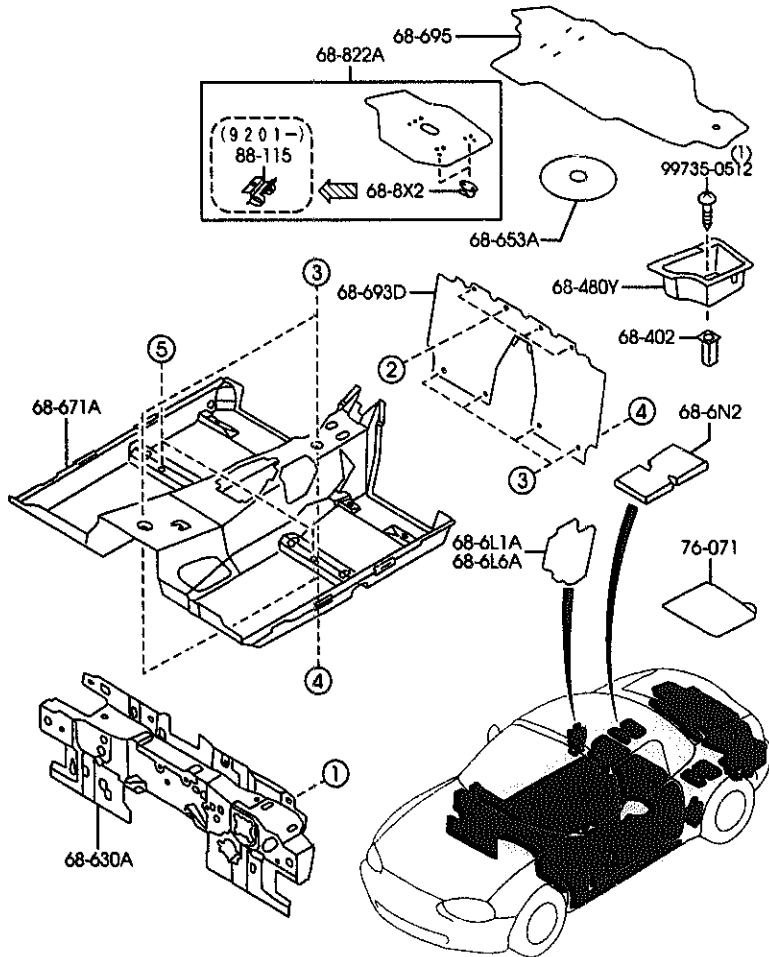
(1N06600)

CAT. AUNA07-05

2000-01

6860A FLOOR MATS & PADS

①	②	③	④	⑤
68-615B	68-865	68-865D	68-866C	69-885C



6860A -2 FLOOR MATS & PADS

PART NO.	QTY	MODEL/RESTRICTION	MODEL/RESTRICTION	MODEL/RESTRICTION	FROM-TO
CONT'D					
21	INT-	NB1 TAN			
55	INT-	NB2 BLUE			
N035-68-693	1	((CMT))>(6-SP)			
02	INT-	NB0 BLACK			
21	INT-	NB1 BROWN			
55	INT-	NB2 BLUE			
* 50	INT-	NB6 NB7 BEIGE			
68-695		MAT, TRUNK ROOM			
NC10-68-81XA	1				
04	INT-	NB0 NB1 NB2 NB6 NB7 BLACK			
68-8X2		CLIP			
M020-68-839	2				-9201
68-822A		BOARD(R), TRUNK			
NC10-68-8E0A	1				-9201
NC10-68-8E0B	1				9201-
68-865		FASTENER			
0032-68-865A	4				
00	INT-	NB0 BLACK			
39	INT-	NB1 SADDLE			
58	INT-	NB2 LAPIS BLUE			
* 80	INT-	NB6 NB7 BEIGE			
68-865D		FASTENER			
S083-68-865A	6				
00	INT-	NB0 BLACK			
39	INT-	NB1 SADDLE			
58	INT-	NB2 LAPIS BLUE			
* 80	INT-	NB6 NB7 BEIGE			
68-866C		FASTENER, SEAL			
B235-68-865A AN(B235-68-865B)	6				-9106
B235-68-865B	6				9106-
9106 NB353*-126971 9201 NB353*-130051					

AUNA07

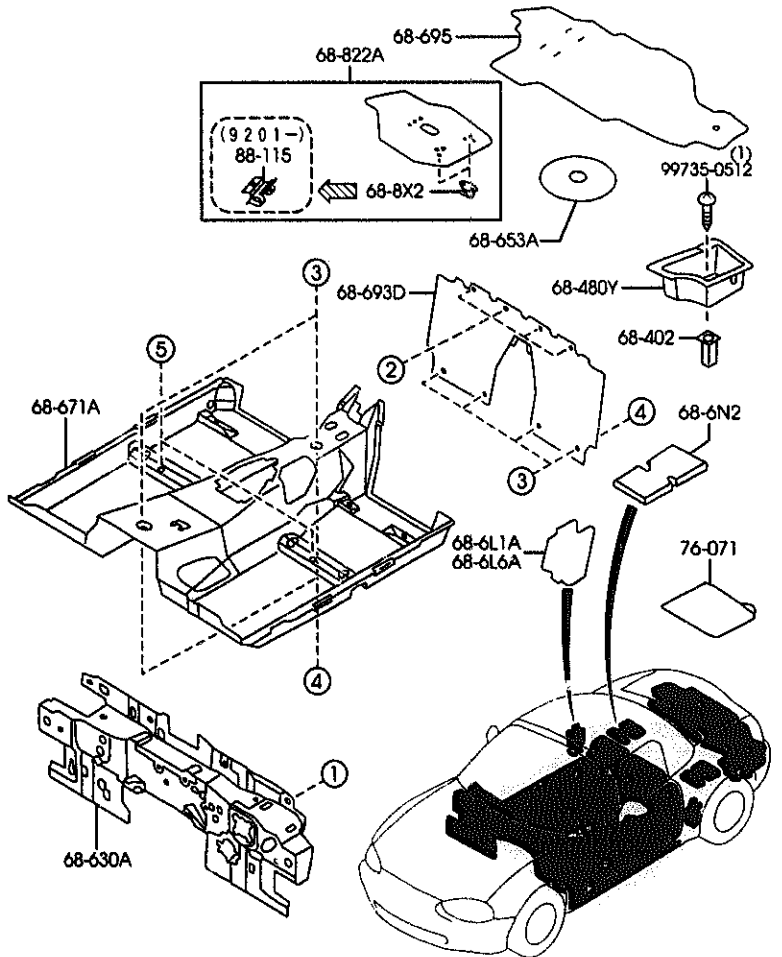
(1N06600)

CAT. AUNA07-05

2000-01

6860A FLOOR MATS & PADS

①	②	③	④	⑤
68-615B	68-865	68-865D	68-866C	69-885C



AUNA07

(1N06600)

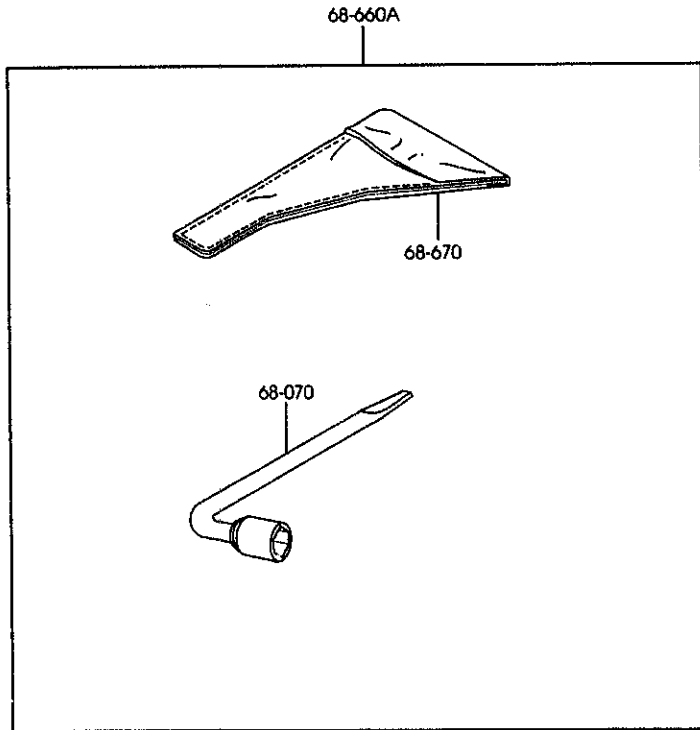
6860A -3 * FLOOR MATS & PADS

PART NO.	QTY	MODEL/RESTRICTION	MODEL/RESTRICTION	MODEL/RESTRICTION	FROM-TO
69-885C		FASTENER			
UB54-68-885	2				
00	INT-	NB0 NB1 NB6 NB7 BLACK			
48	INT-	NB2 BLUE			
76-071		SILENCER, FLOOR			
0208-76-071	1	30CMX30CM			
88-115		SPRING, LOCK			
MD201-68-8T3	2				9201-
9201 NB353N-130051					

CAT. AUNA07-05

2000-01

6870A SERVICE TOOLS



6870A -1 * SERVICE TOOLS

PART NO.	QTY	MODEL/RESTRICTION	MODEL/RESTRICTION	MODEL/RESTRICTION	FROM-TO
68-070		WRENCH, HUB NUT			
NA01-68-070	1				
68-660A		TOOL SET			
NA01-69-650A	1				
68-670		BAG, TOOL			
NA01-69-670A	1				

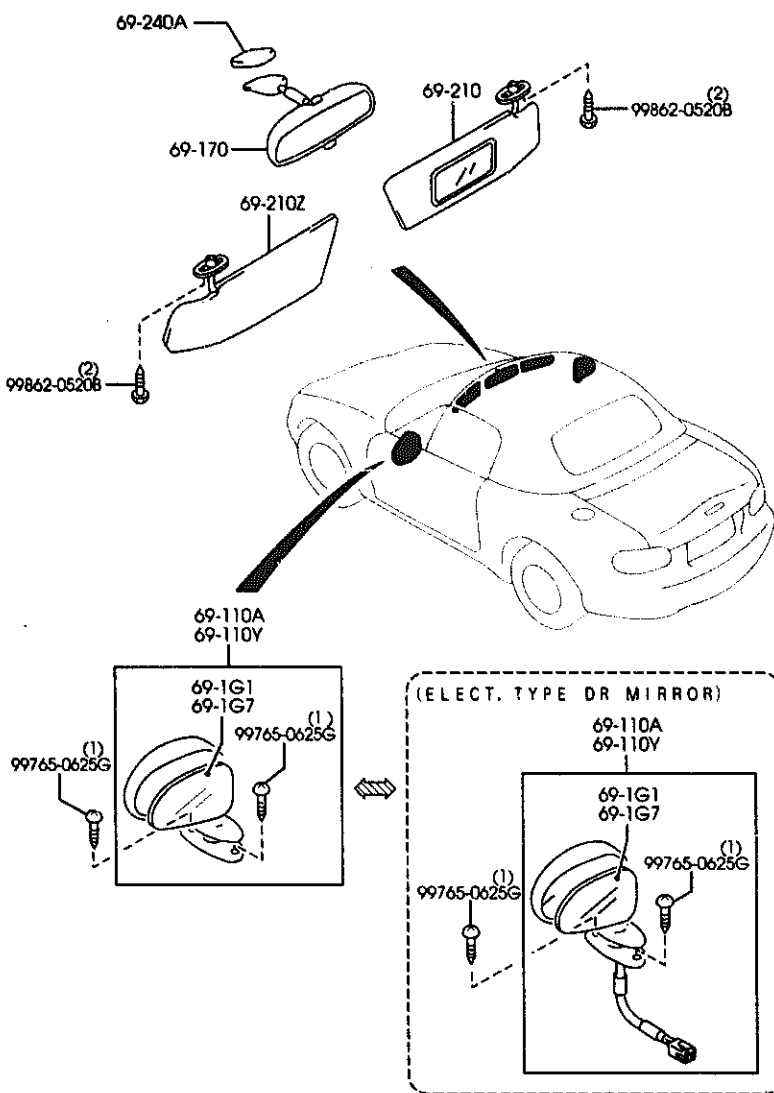
AUNA07

(1N02660)

CAT. AUNA07-05

2009-01

6900A SUN VISORS, ASSIST HANDLES & MIRRORS



AUNA07

(1N05150)

6900A -1 SUN VISORS, ASSIST HANDLES & MIRRORS

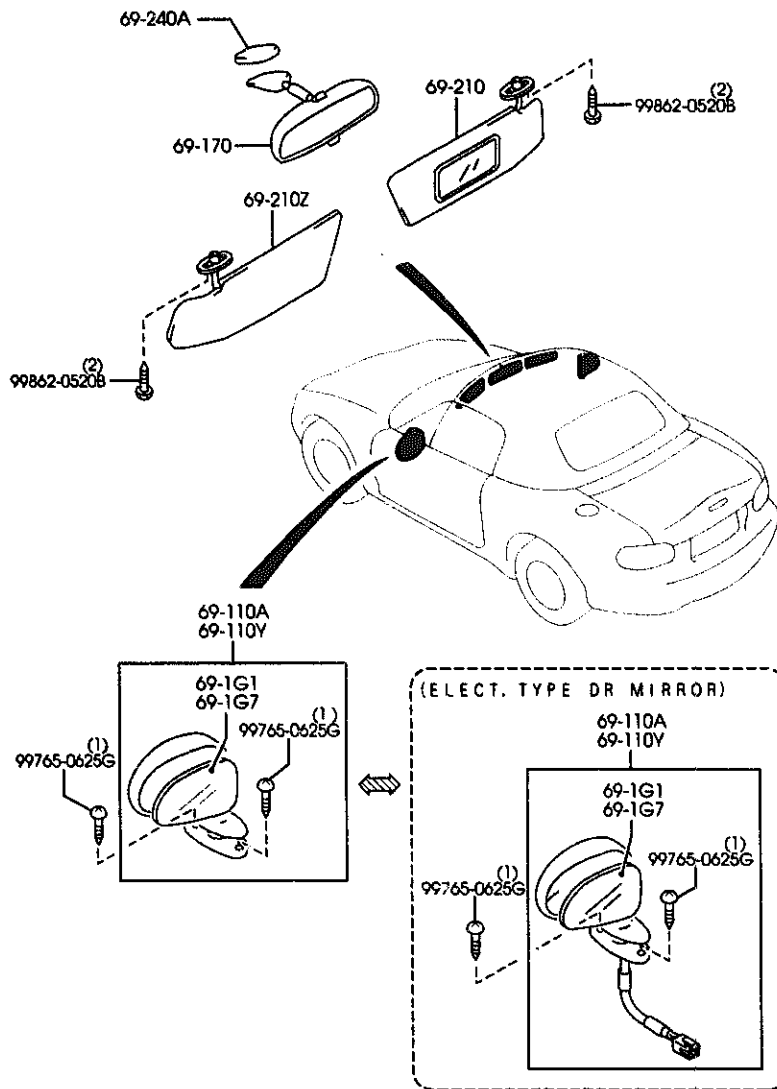
PART NO.	QTY	MODEL/RESTRICTION	MODEL/RESTRICTION	MODEL/RESTRICTION	FROM-TO
69-161 NC10-69-161	1	GLASS & HOLDER(R), MIRROR			
69-167 NC10-69-167	1	GLASS & HOLDER(L), MIRROR			
69-110A NC10-69-120E	1	MIRROR(R), DOOR (MANUAL TYPE DR MIRROR)			
PT	EXT-	PT CHAST WHITE			
PZ	EXT-	PZ BRILLIANT BLACK			
SU	EXT-	SU ASE CLASSIC RED			
* 17	EXT-	23E ART VIN RED 3MC			
40	EXT-	20P INNOCENT BLUE MC			
46	EXT-	18J NEW GREEN M			
56	EXT-	18K NEW ORANGE MC			
57	EXT-	12K TWILIGHT BLUE			
92	EXT-	18B HIGHLIGHT SILVER M			
NC11-69-120E	1	(ELECT. TYPE DR MIRROR)			
PT	EXT-	PT CHAST WHITE			
PZ	EXT-	PZ BRILLIANT BLACK			
SU	EXT-	SU ASE CLASSIC RED			
* 17	EXT-	23E ART VIN RED 3MC			
40	EXT-	20P INNOCENT BLUE MC			
46	EXT-	18J NEW GREEN M			
56	EXT-	18K NEW ORANGE MC			
57	EXT-	12K TWILIGHT BLUE			
92	EXT-	18B HIGHLIGHT SILVER M			
69-110Y NC10-69-180E	1	MIRROR(L), DOOR (MANUAL TYPE DR MIRROR)			
PT	EXT-	PT CHAST WHITE			
PZ	EXT-	PZ BRILLIANT BLACK			
SU	EXT-	SU ASE CLASSIC RED			

CAT. AUNA07-05

2000-01

6900A SUN VISORS, ASSIST HANDLES & MIRRORS

6900A -2 * SUN VISORS, ASSIST HANDLES & MIRRORS



PART NO.	QTY	MODEL/RESTRICTION	MODEL/RESTRICTION	MODEL/RESTRICTION	FROM-TO
CONT'D					
* 17	EXT-	23E ART VIN RED 3MC			
40	EXT-	20P INNOCENT BLUE MC			
46	EXT-	18J NEW GREEN M			
56	EXT-	18K NEW ORANGE MC			
57	EXT-	12K TWILIGHT BLUE			
92	EXT-	18G HIGHLIGHT SILVER M			
NC11-69-180E	1	(ELECT. TYPE DR MIRROR)			
PT	EXT-	PT CHAST WHITE			
PZ	EXT-	PZ BRILLIANT BLACK			
SU	EXT-	SU ASE CLASSIC RED			
* 17	EXT-	23E ART VIN RED 3MC			
40	EXT-	20P INNOCENT BLUE MC			
46	EXT-	18J NEW GREEN M			
56	EXT-	18K NEW ORANGE MC			
57	EXT-	12K TWILIGHT BLUE			
92	EXT-	18G HIGHLIGHT SILVER M			
69-170		MIRROR, INTERIOR			
H082-69-220A	1				
69-210		SUN VISOR(R)			
NC10-69-270A	1				-8106
02	INT-	N6J NB1 BLACK			
NC10-69-270B	1				8106-
02	INT-	N80 NB1 NB2 NB6 BLACK			
69-210Z		SUN VISOR(L)			
NC10-69-320A	1				-8106
02	INT-	N80 NB1 BLACK			
NC10-69-320B	1				8106-
02	INT-	N80 NB1 NB2 NB6 BLACK			
69-240A		BASE, INTERIOR MIRROR			
BCIC-69-240	1				

8106 NB353M-102707

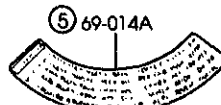
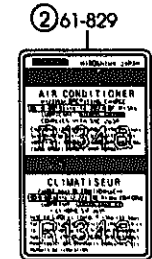
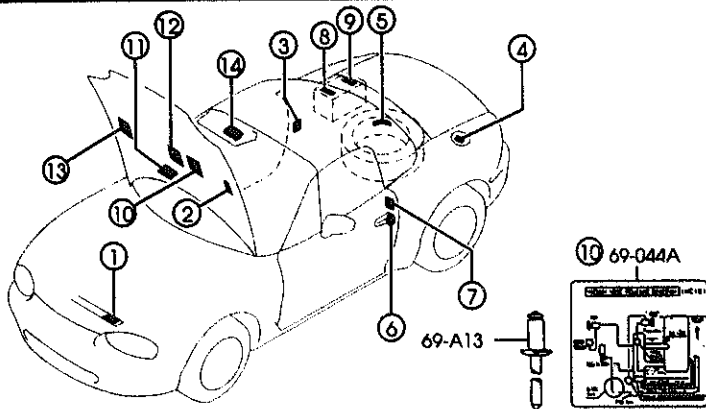
AUNA07

(1N05150)

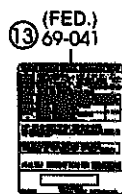
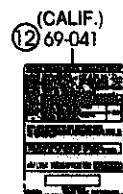
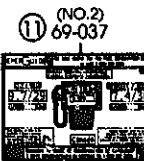
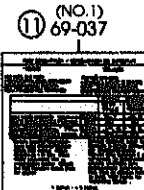
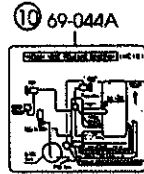
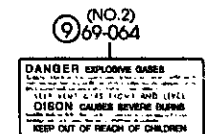
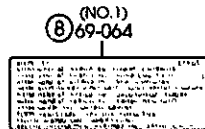
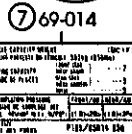
CAT. AUNA07-05

2000-01

6930A CAUTION PLATES & LABELS



⑥ 69-055A



6930A -1 CAUTION PLATES & LABELS

PART NO.	QTY	MODEL/RESTRICTION	MODEL/RESTRICTION	MODEL/RESTRICTION	FROM-TO
15-031		LABEL, CAUTION			
ES08-15-031	1	FRENCH			
B660-15-031	1	ENGLISH			7C03-
57-K93		LABEL *C*, CAUTION-A/B			
B01R-57-K95A	1				
61-829		LABEL, CAUTION			
FD16-61-439B	1	(A)			
69-A13		RIVET, BLIND, VIN PLATE			
GJ21-69-A13	2	(W/THEFT PREVENTION LABEL)			
69-D51		LABEL, VEHICLE INFORMATION			
B001-69-D51	1	VIN NO. IS REQUIRED			
69-D61		LABEL, FUEL WARNING			
BC1M-69-D61	1	NON USA,			
69-014		LABEL, TIRE			
NC10-69-014A	1				
69-014A		LABEL, TEMPORARY TIRE			
BF68-69-073	1	ENGLISH			
BF69-69-073B	1	FRENCH			
69-037		LABEL, FUEL ECONOMY			
NC12-69-042	1	NON USA, (ILLUST. NO. 1)			
NC49-69-042	1	NON USA, (ILLUST. NO. 2)			
NC53-69-042	1	NON USA, (ILLUST. NO. 2)			
NC65-69-042	1	NON USA, (ILLUST. NO. 2)			9101-
69-041		LABEL, EMISSION			
7C03 NB353K-10063					
9101 NB353K-126971					

AUNA07

(1N11520)

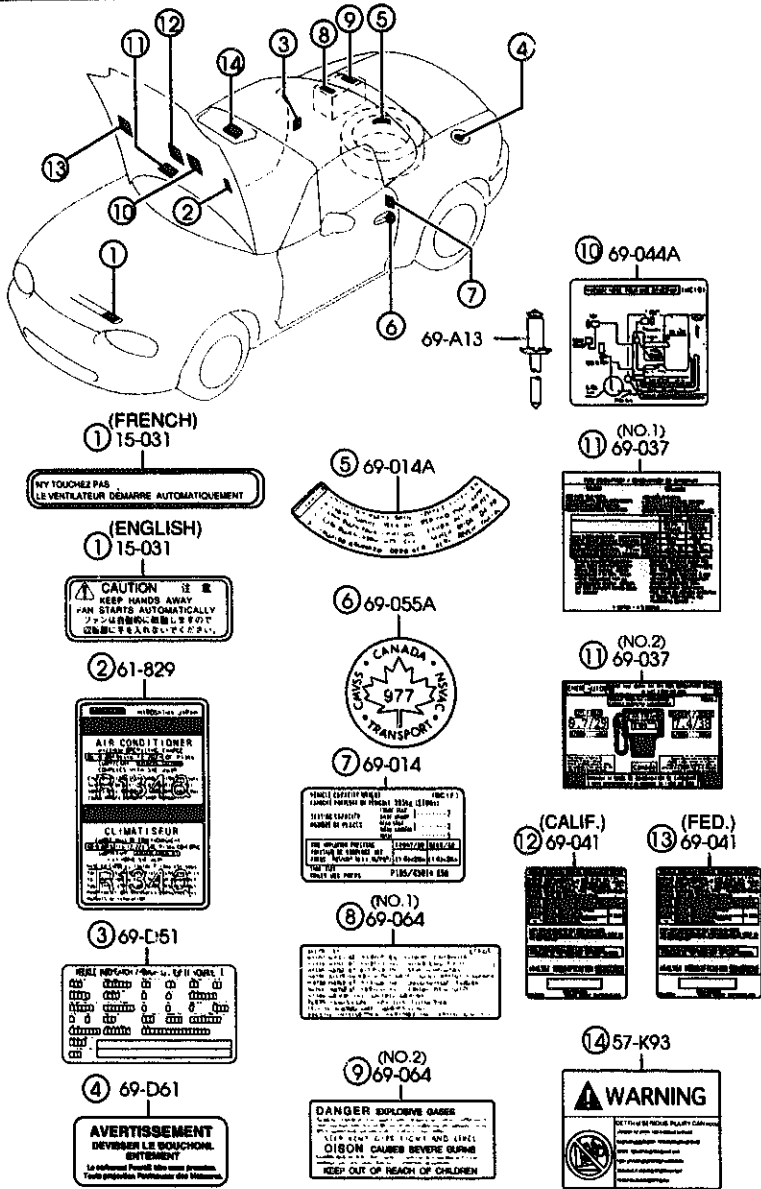
CAT. AUNA07-05

2000-01

3-J 6

6930A CAUTION PLATES & LABELS

6930A -2 * CAUTION PLATES & LABELS



PART NO.	QTY	MODEL/RESTRICTION	MODEL/RESTRICTION	MODEL/RESTRICTION	FROM-TO
CONT'D					
NC10-69-036	1	(FED.)			-9701
NC11-69-036	1	(CALIF.)			-9701
NC49-69-036	1	(FED.) (CAN)			9701-
NC57-69-036	1	(CALIF.)			9701-
69-044A		LABEL, VAC. DIAPHRAGM			
NC10-69-044	1	(CAN)			-9701
NC49-69-044	1	(CAN)			9701-
69-055A		LABEL, SAFETY PANEL			
FA11-69-C31A	1	NON USA,			
69-064		LABEL, BATTERY			
FA03-69-C72A	1	(ILLUST. NO.1) (W/BATTERY LABEL)			
FA01-69-064A	1	(ILLUST. NO.2) (W/BATTERY LABEL)			

9701 NB353*-138751

AUNA07

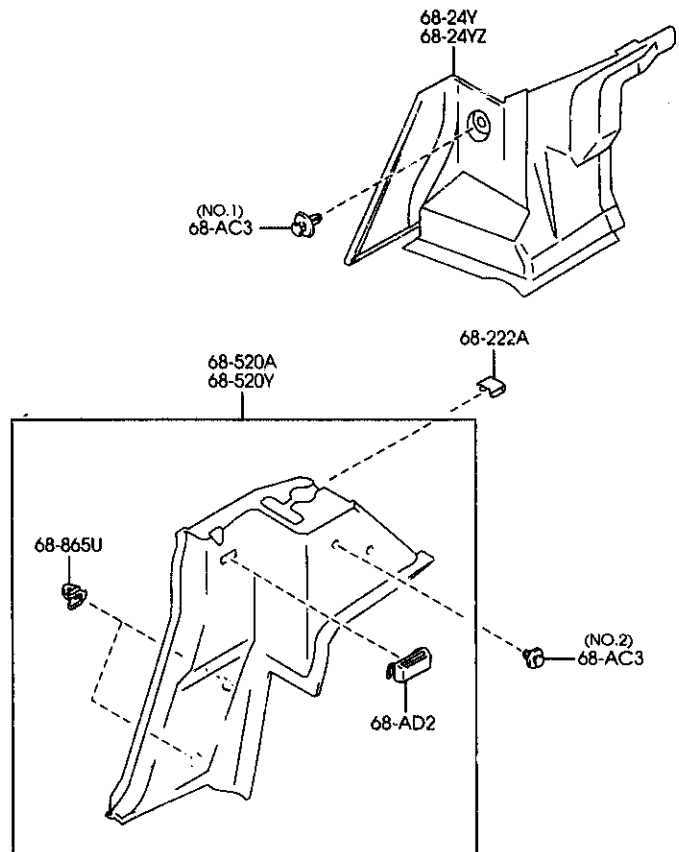
(1N11520)

CAT. AUNA07-05

2000-01

3-K 6

7250A QUARTER WINDOW & TRIMS



7250A -1 QUARTER WINDOW & TRIMS

PART NO.	QTY	MODEL/RESTRICTION	MODEL/RESTRICTION	MODEL/RESTRICTION	FRON-TO
+-----+ 68-AC3 +-----+					
B467-68-AC3	2	FASTENER (ILLUST. NO.1)			
02	INT-	NB0 NB2 BLACK			
21	INT-	NB1 TAN			
* 80	INT-	NB6 NB7 LIGHT BEIGE			
+-----+ 68-AD2 +-----+					
B499-68-AC3	2	(ILLUST. NO.2)			-9201
00	INT-	NB0 NB2 BLACK			
21	INT-	NB1 TAN			
+-----+ 68-AD2B +-----+					
B499-68-AC3A	2	(ILLUST. NO.2)			9201-
00	INT-	NB0 NB2 BLACK			
21	INT-	NB1 TAN			
* 80	INT-	NB6 NB7 LIGHT BEIGE			
+-----+ 68-AD2C +-----+					
NC10-68-AD2B	2	CLIP			-8C01
00	INT-	NB0 NB2 BLACK			
21	INT-	NB1 TAN			
+-----+ 68-AD2C +-----+					
NC10-68-AD2C	2	CLIP			8C01-
00	INT-	NB0 NB2 BLACK			
21	INT-	NB1 TAN			
* 80	INT-	NB6 NB7 BEIGE			
+-----+ 68-222A +-----+					
NA01-68-222A	2	COVER, HOLE			
00	INT-	NB0 NB2 BLACK			
21	INT-	NB1 TAN			
* 80	INT-	NB6 NB7 BEIGE			
+-----+ 68-24Y +-----+					
NC10-68-282	1	COVER(R), LINK			
02	INT-	NB0 NB2 BLACK			
21	INT-	NB1 TAN			
* 80	INT-	NB6 NB7 BEIGE			
+-----+ 68-24YZ +-----+					
NC10-68-292	1	COVER(L), LINK			

8C01 NB353*-124914
9201 NB353*-130051



AUNA07

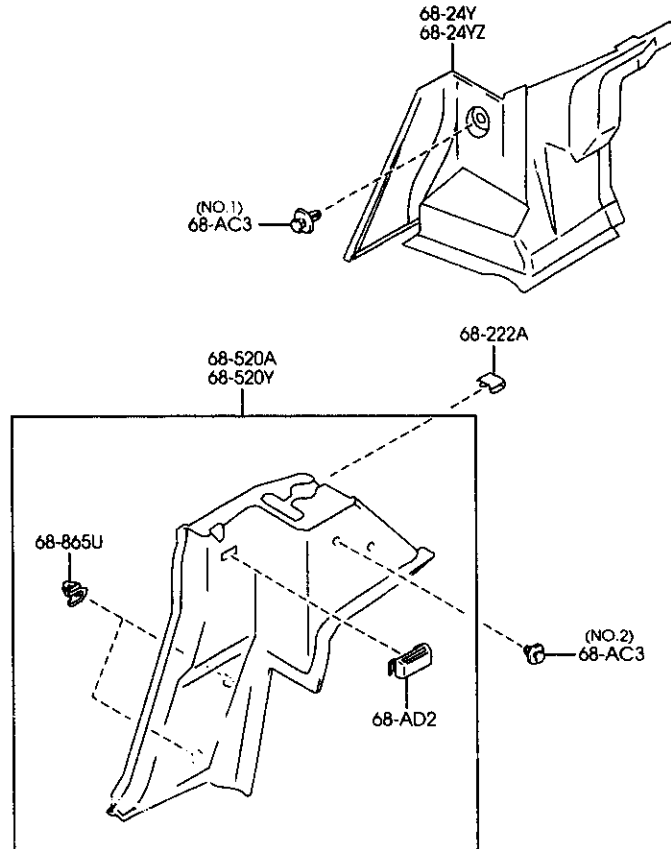
(1N05280)

CAT. AUNA07-05

2000-01

7250A QUARTER WINDOW & TRIMS

7250A -2 QUARTER WINDOW & TRIMS



PART NO.	QTY	MODEL/RESTRICTION	MODEL/RESTRICTION	MODEL/RESTRICTION	FROM-TO
CONT'D					
02	INT-	NB0 NB2 BLACK			
21	INT-	NB1 TAN			
* 80	INT-	NB6 NB7 BEIGE			
		+-----+ 68-520A +-----+			
NC10-68-520B	1	TRIM(R), QUARTER (W/O DETACHABLE HARD TOP, W/O AERO BOARD)			-8C01
00	INT-	NB0 NB2 BLACK			
21	INT-	NB1 TAN			
NC30-68-520B	1	(W/DETACHABLE HARD T OP, W/O AERO BOARD)			-8C01
00	INT-	NB0 NB2 BLACK			
21	INT-	NB1 TAN			
NC31-68-520B	1	(W/DETACHABLE HARD T OP, W/AERO BOARD)			-8C01
00	INT-	NB0 NB2 BLACK			
21	INT-	NB1 TAN			
N053-68-520B	1	(W/O DETACHABLE HARD TOP, W/AERO BOARD)			-8C01
00	INT-	NB0 NB2 BLACK			
21	INT-	NB1 TAN			
NC10-68-520C	1	(W/ DETACHABLE HARD TOP, W/O AERO BOARD)			8C01-
00	INT-	NB0 NB2 BLACK			
21	INT-	NB1 TAN			
* 80	INT-	NB6 NB7 BEIGE			
NC30-68-520C	1	(W/DETACHABLE HARD T OP, W/O AERO BOARD)			8C01-
00	INT-	NB0 NB2 BLACK			
21	INT-	NB1 TAN			
* 80	INT-	NB6 NB7 BEIGE			
NC31-68-520C	1	(W/DETACHABLE HARD T OP, W/AERO BOARD)			8C01-
00	INT-	NB0 NB2 BLACK			
21	INT-	NB1 TAN			
* 80	INT-	NB6 NB7 BEIGE			
N053-68-520C	1	(W/O DETACHABLE HARD TOP, W/AERO BOARD)			8C01-

8C01 NB353M-124914



AUNA07

(1N05280)

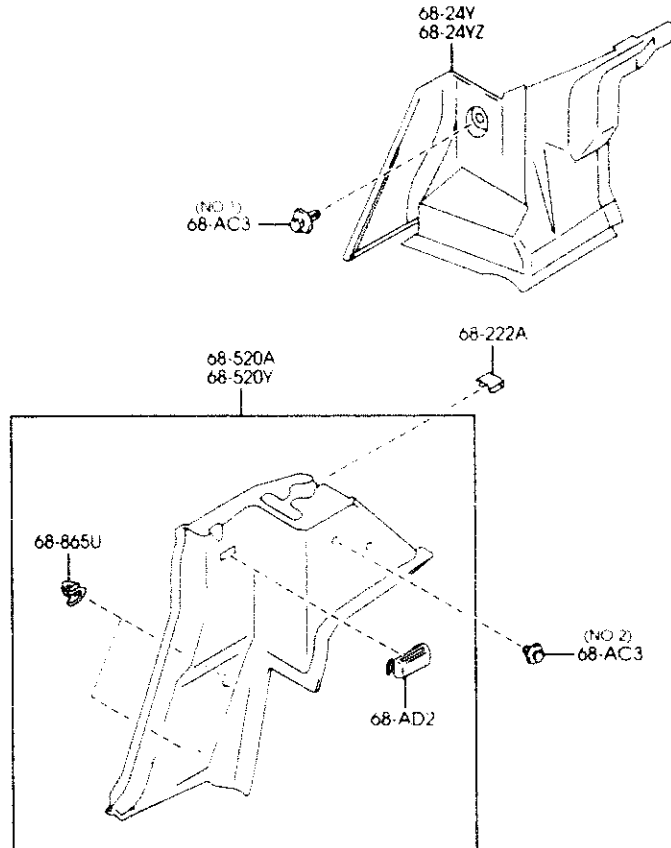
CAT. AUNA07-05

2000-01

3-M 6

7250A QUARTER WINDOW & TRIMS

7250A -3 QUARTER WINDOW & TRIMS



PART NO.	QTY	MODEL/RESTRICTION	MODEL/RESTRICTION	MODEL/RESTRICTION	FROM TO
CONT'D					
00	INT-	NB0 NB2 BLACK			
21	INT-	NB1 TAN			
* 80	INT-	NB6 NB7 BEIGE			
		68-520Y	TRIM(L), QUARTER		
NC10-68-550B	1	(W/O DETACHABLE HARD TOP, W/O AERO BOARD)			-8C01
00	INT-	NB0 NB2 BLACK			
21	INT-	NB1 TAN			
NC30-68-550B	1	(W/DETACHABLE HARD TOP, W/O AERO BOARD)			-8C01
00	INT-	NB0 NB2 BLACK			
21	INT-	NB1 TAN			
NC31-68-550B	1	(W/DETACHABLE HARD TOP, W/AERO BOARD)			-8C01
00	INT-	NB0 NB2 BLACK			
21	INT-	NB1 TAN			
N053-68-550B	1	(W/O DETACHABLE HARD TOP, W/AERO BOARD)			-8C01
00	INT-	NB0 NB2 BLACK			
21	INT-	NB1 TAN			
NC10-68-550C	1	(W/O DETACHABLE HARD TOP, W/O AERO BOARD)			8C01-
00	INT-	NB0 NB2 BLACK			
21	INT-	NB1 TAN			
* 80	INT-	NB6 NB7 BEIGE			
NC30-68-550C	1	(W/DETACHABLE HARD TOP, W/O AERO BOARD)			8C01-
00	INT-	NB0 NB2 BLACK			
21	INT-	NB1 TAN			
* 80	INT-	NB6 NB7 BEIGE			
NC31-68-550C	1	(W/DETACHABLE HARD TOP, W/AERO BOARD)			8C01-
00	INT-	NB0 NB2 BLACK			
21	INT-	NB1 TAN			
* 80	INT-	NB6 NB7 BEIGE			
N053-68-550C	1	(W/O DETACHABLE HARD			8C01-
8C01 NB353*-124914					



AUNA07

(1N05280)

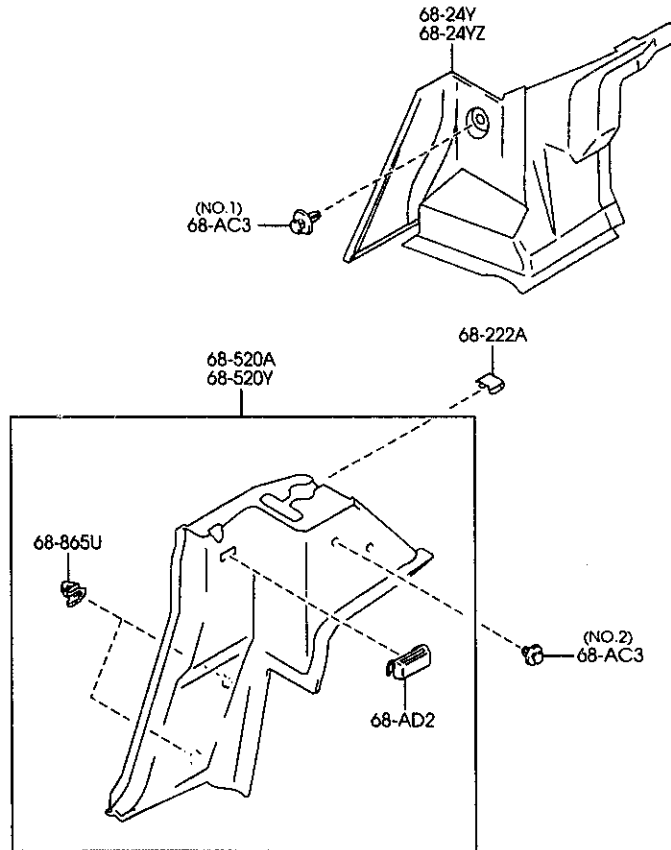
CAT. AUNA07-05

2000-01

3-N 6

7250A QUARTER WINDOW & TRIMS

7250A -4 * QUARTER WINDOW & TRIMS



PART NO.	QTY	MODEL/RESTRICTION	MODEL/RESTRICTION	MODEL/RESTRICTION	FRON-TD
CONT'D					
		TOP, W/AERO BOARD)			
00	INT-	NB0 NB2 BLACK			
21	INT-	NB1 TAN			
* 80	INT-	NB6 NB7 BEIGE			
		CLIP, TRIM			
		+-----+ 68-865U +-----+			
GJ21-68-865	4				



AUNA07

(1N05280)

CAT. AUNA07-05

2000-01