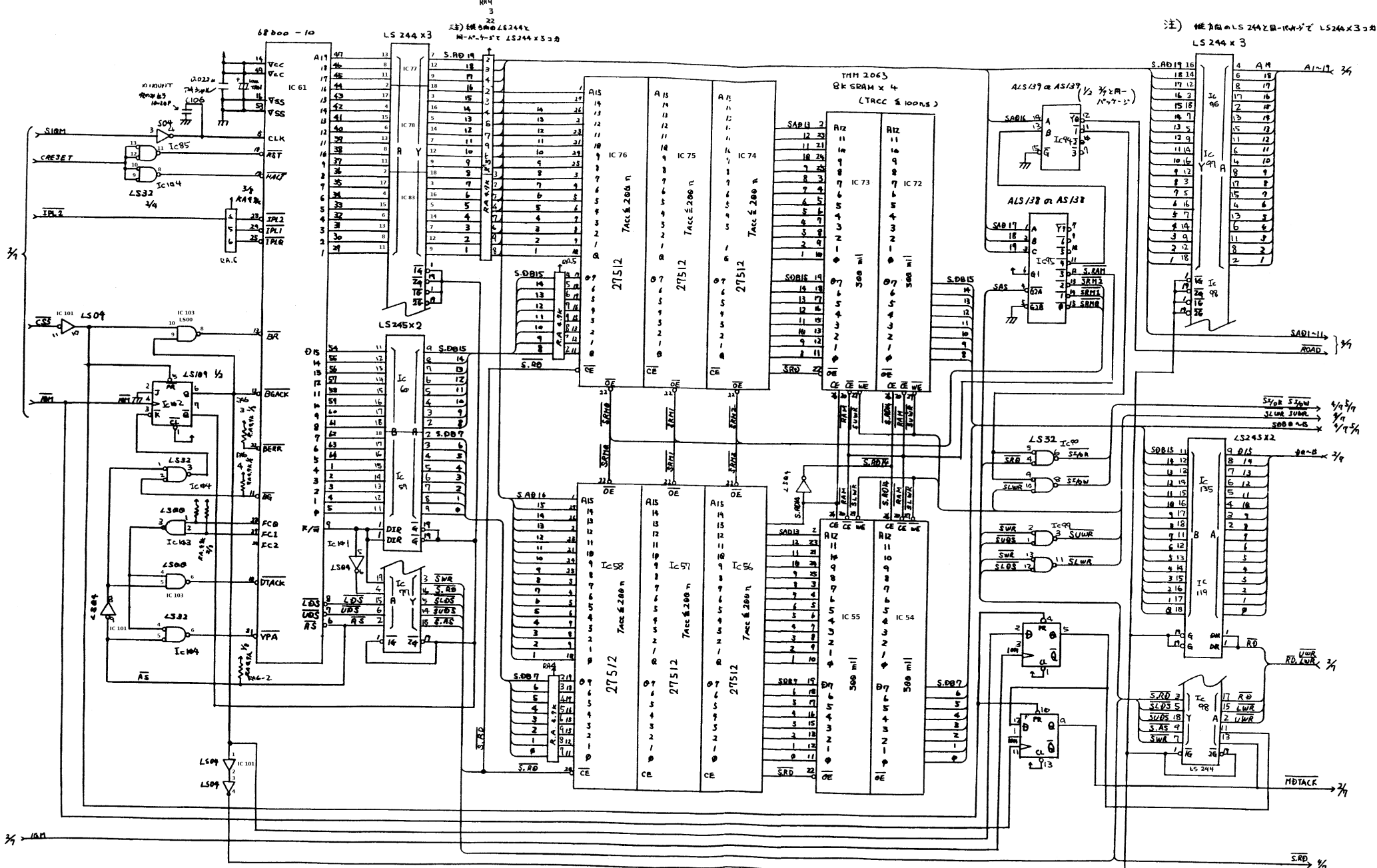


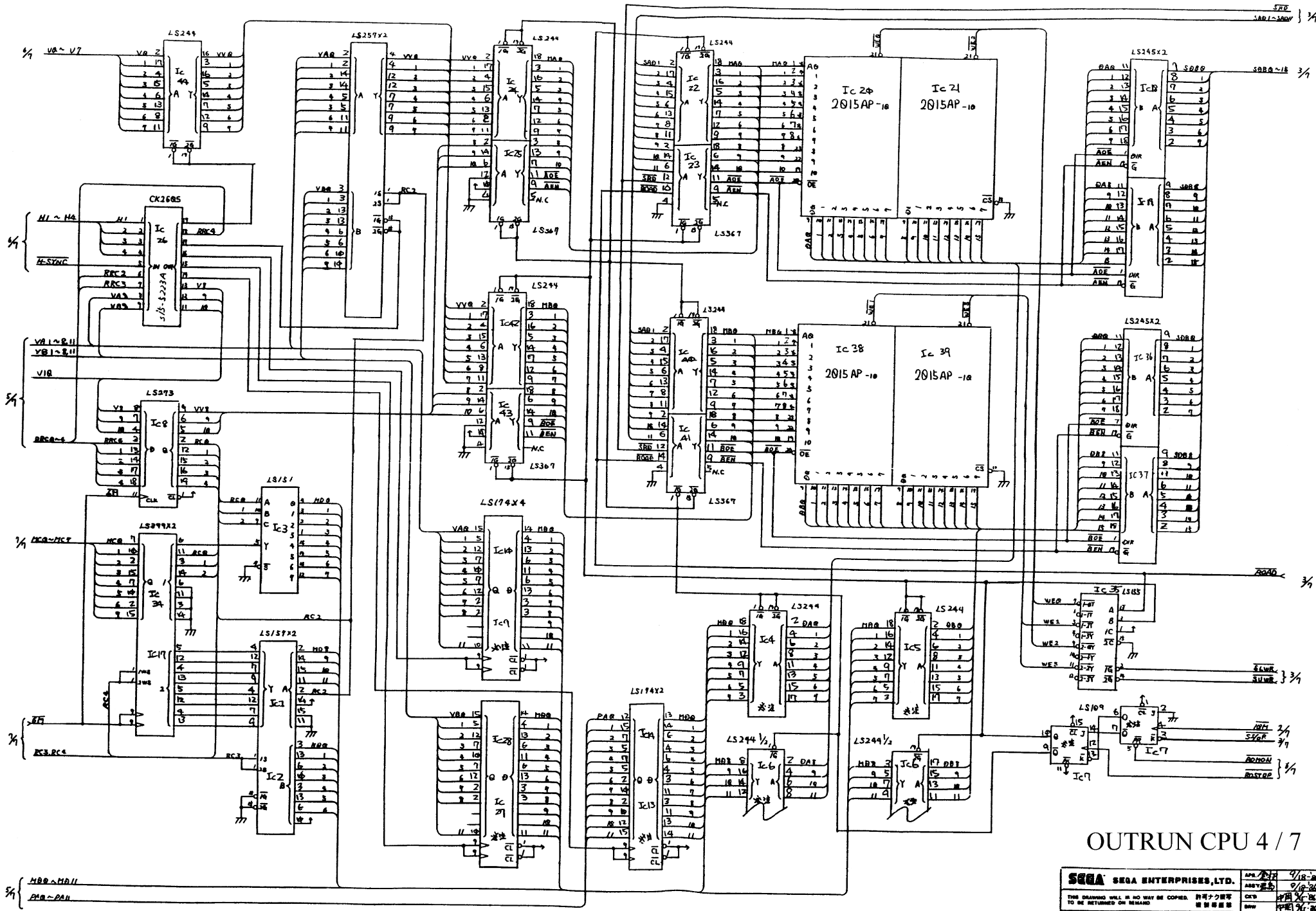
OUTRUN CPU 1 / 7

SEGA SEGA ENTERPRISES, LTD.		DATE	9/18/80
THIS DRAWING WILL IN NO WAY BE CONSIDERED AS A COMMITMENT BY SEGA TO PROVIDE OR SUPPORT ANY PRODUCT OR SERVICE.		REV	1/01
CPU BD OUT RUN		REV	4/28/80
PC BOARD NO. 171-5376-01		DESCRIPTION	
837-6063-01		PART NO.	
DESCRIPTION		QUANTITY	1 / OF 7



OUTRUN CPU 3 / 7

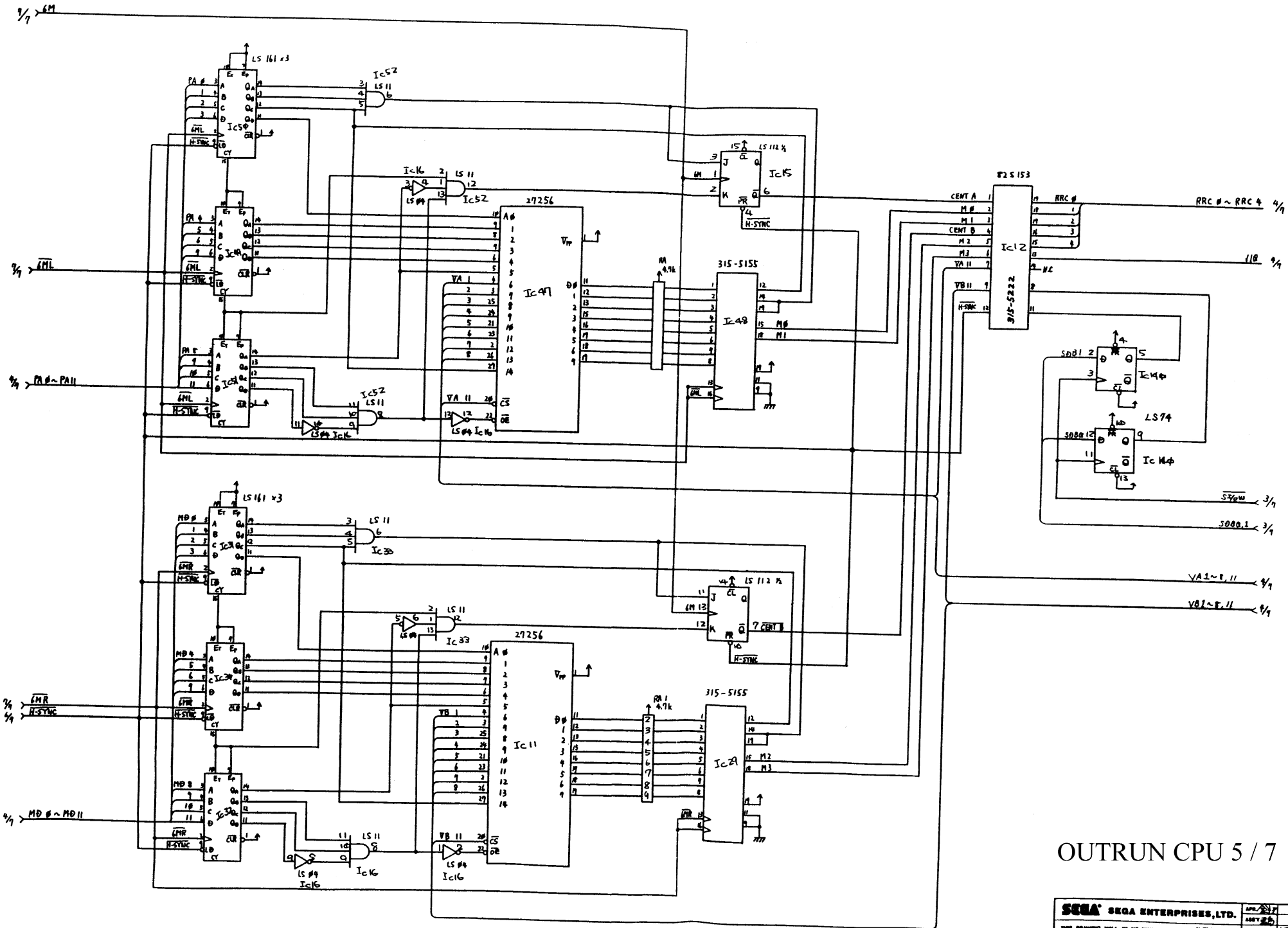
SEGA SEGA ENTERPRISES, LTD.		DATE: 9/12-81
THIS DRAWING WILL IN NO WAY BE COPIED, REPRODUCED OR TRANSMITTED IN ANY FORM OR BY ANY MEANS, WITHOUT THE WRITTEN PERMISSION OF SEGA ENTERPRISES, LTD.		DESIGNER: 中野 隆夫
CPU BD OUT RUN		REV
PC BD NO. 171-5376-01		837-6063-01
DESCRIPTION		PART NO.
		SHEET 3 OF 7



OUTRUN CPU 4 / 7

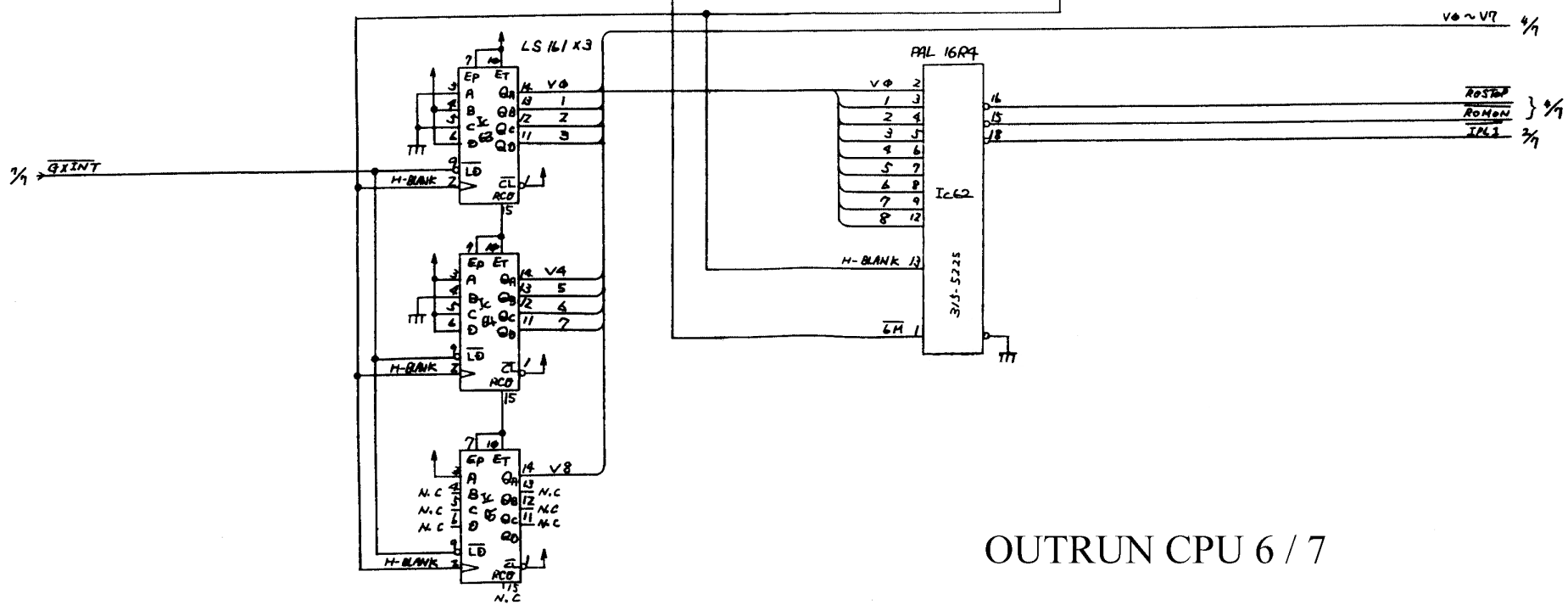
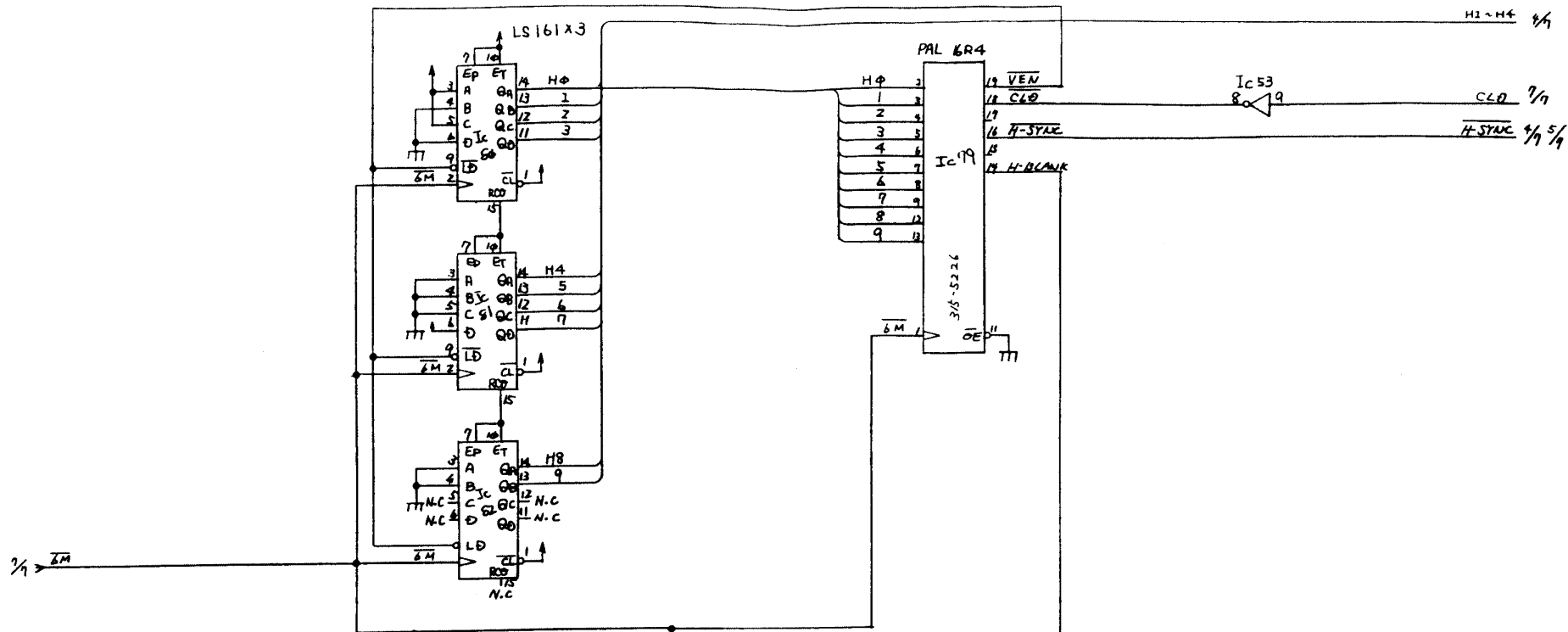
SEGA SEGA ENTERPRISES, LTD.		DATE	9/18-20
THIS DRAWING WILL IN NO WAY BE COPIED, REPRODUCED OR TRANSMITTED IN ANY FORM OR BY ANY MEANS, WITHOUT THE WRITTEN PERMISSION OF SEGA ENTERPRISES, LTD.		REV	0/0-20
CPU BD OUT RUN		REV	837-6063-01
PC BD NO 171-5376-01		DESCRIPTION	
		PART NO.	
		SHEET 4 OF 7	

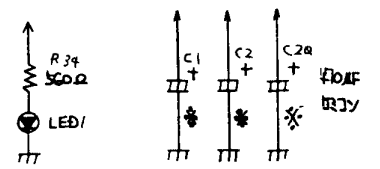
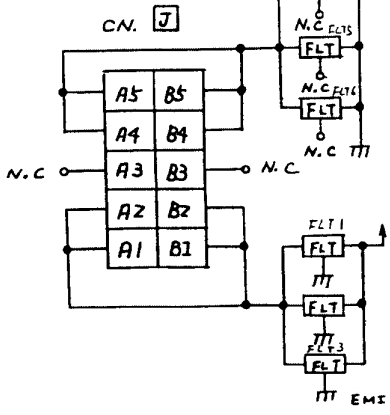
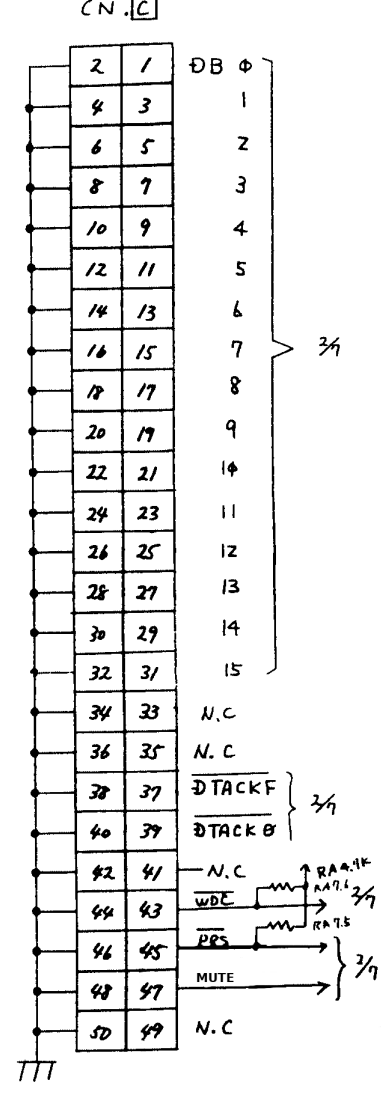
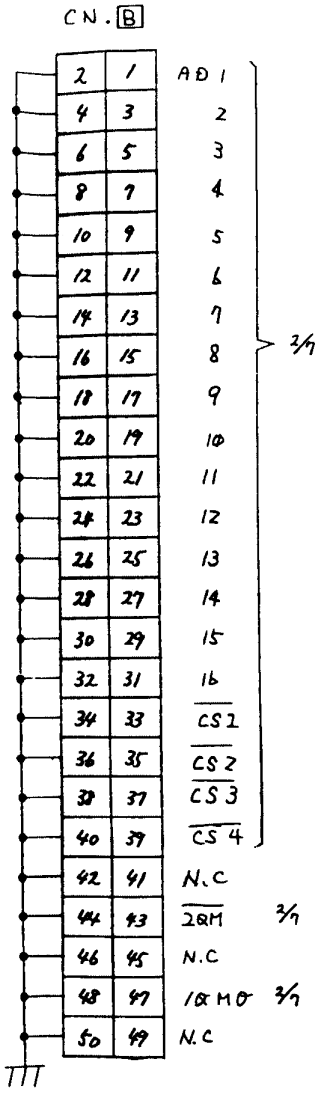
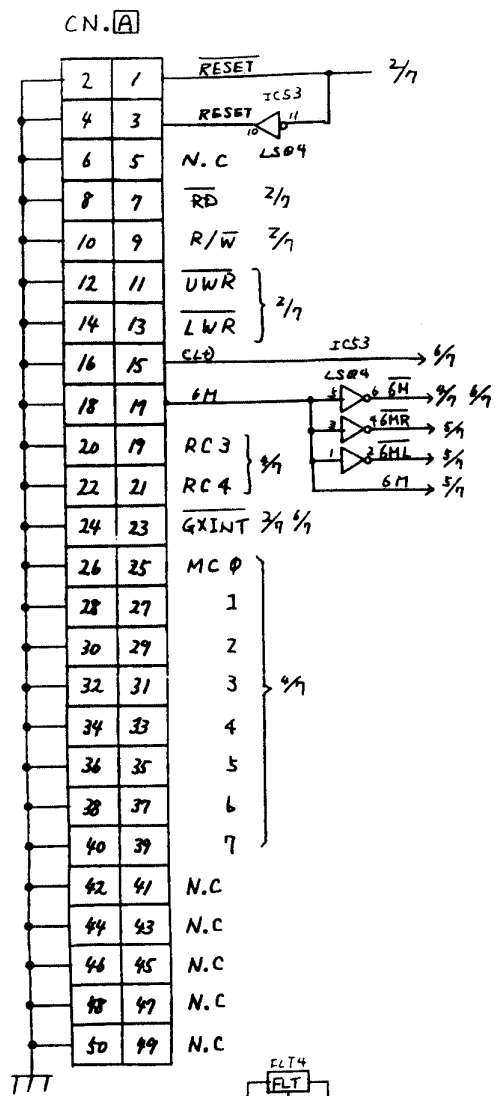
※注意出力ノ速サハ注意シテ



OUTRUN CPU 5 / 7

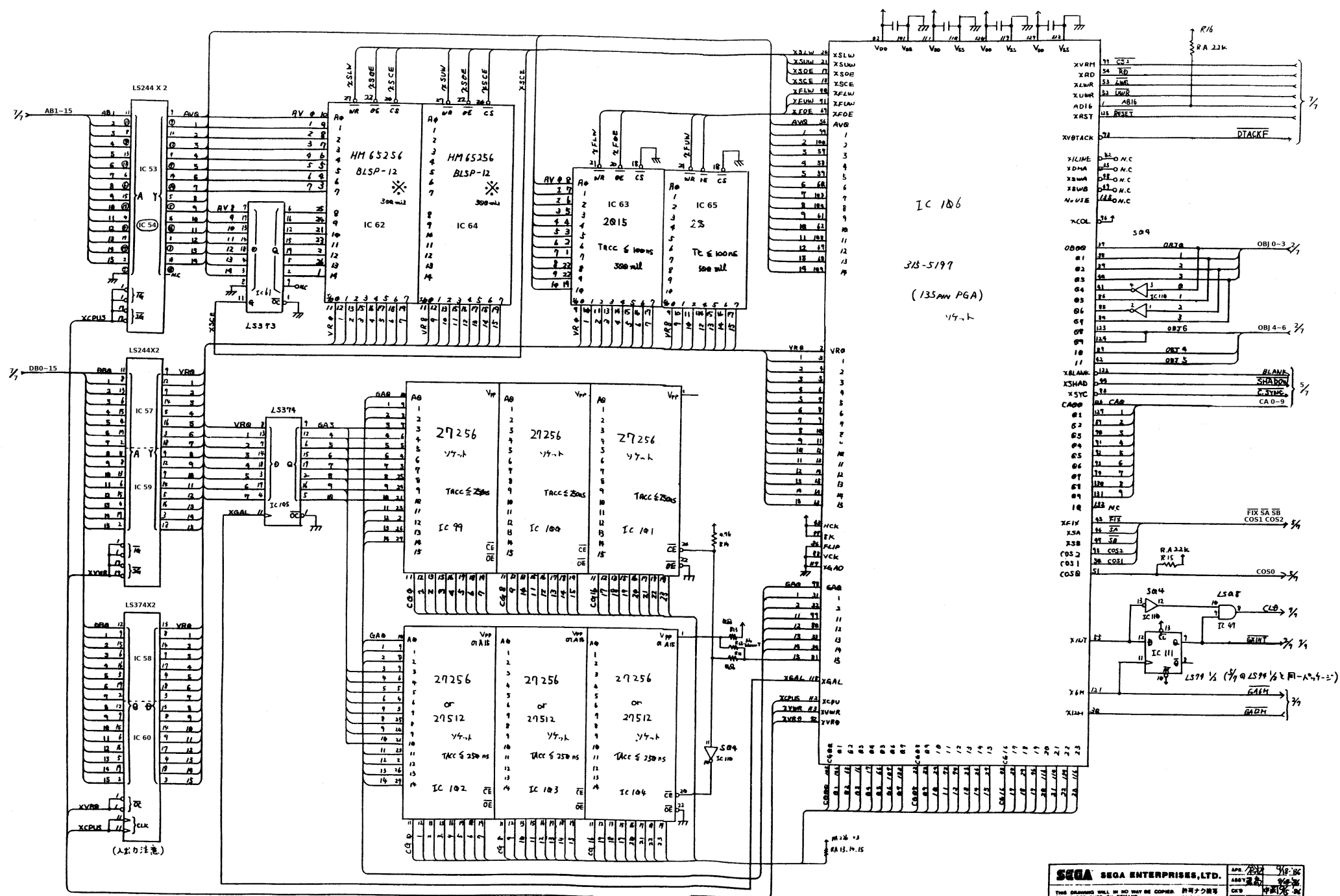
SEGA SEGA ENTERPRISES, LTD.		DATE	9/12/88
THIS DRAWING WILL BE SO MAY BE COPIED. 許可なく複製 TO BE RETURNED ON DEMAND. 複製無断返却		REV	9/12/88
CPU BD OUT RUN		REV	9/12/88
PC BD NO 171-5376-01		REV	9/12/88
DESCRIPTION		REV	9/12/88
PART		REV	9/12/88
SHEET 5 OF 7			





注) ホト上の目隠し設置する事
※ 15.177→024

OUTRUN CPU 7/7

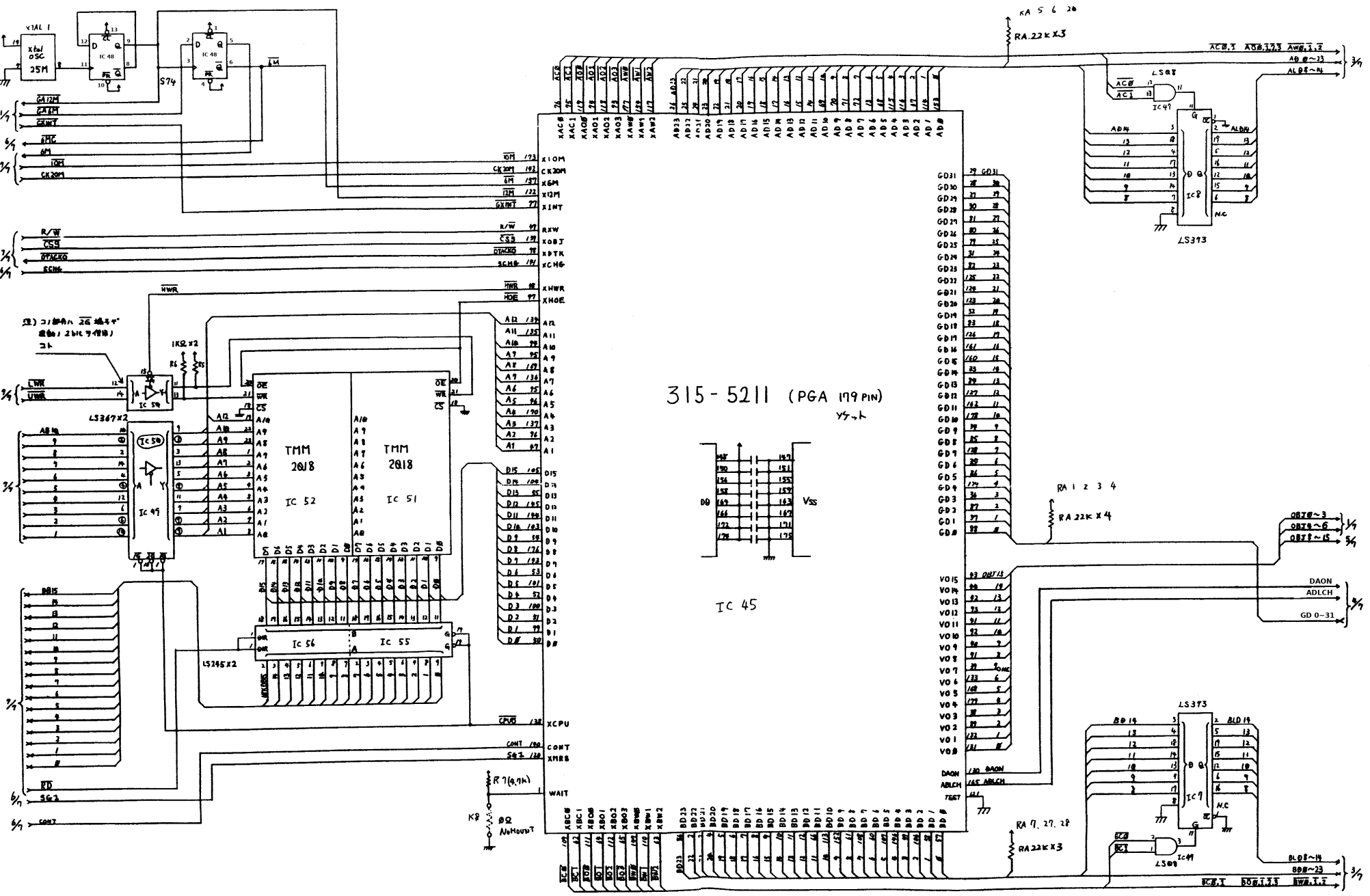


HM 65256 X2 1個 17番 0822, 74番 0000-9:45 部品, 31

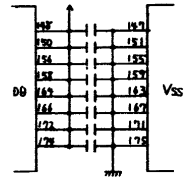
SEGA SEGA ENTERPRISES, LTD. APR 1988 48-106
 1987年6月 48-106
 THIS DRAWING WILL IN NO WAY BE COPIED OR REPRODUCED WITHOUT THE WRITTEN PERMISSION OF SEGA ENTERPRISES, LTD. 此図は複製されず、許可なくして複製してはならない。

VIDEO BD OUT RUN
 PCBD NO.171-5377-01
 DESCRIPTION

REV
 837-6064-01
 PART NO.
 SHEET 1 of 7

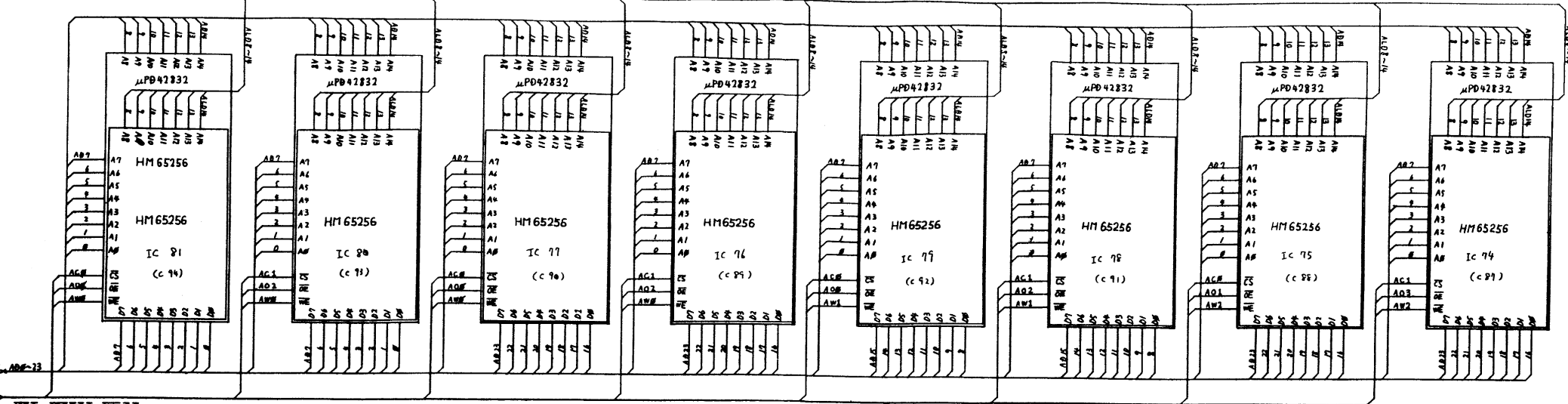


315-5211 (PGA 179 PIN)
 ↳

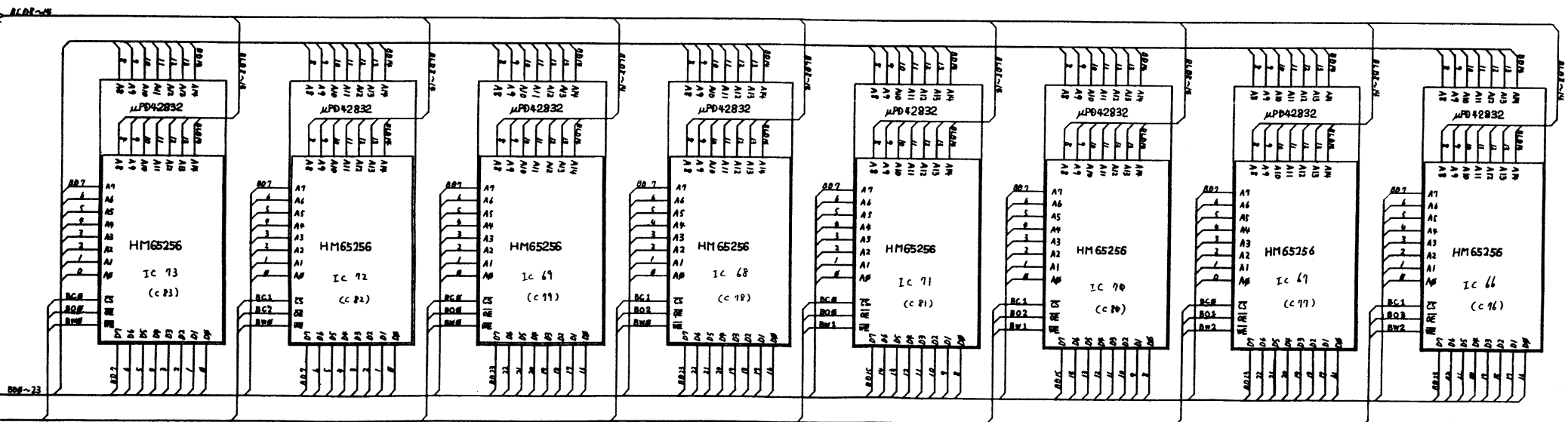


IC 45

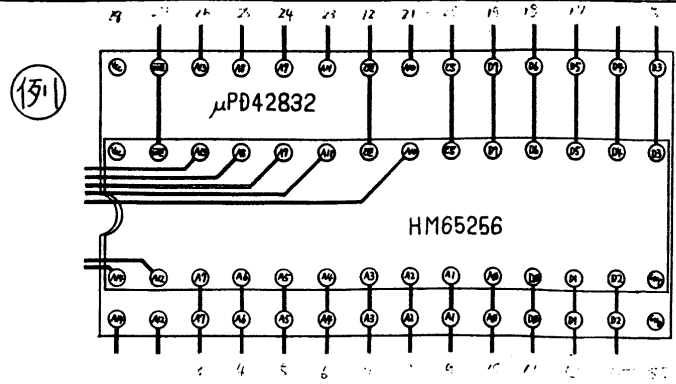
SEGA SEGA ENTERPRISES, LTD.		APR 1987	4/11/87
THIS DRAWING WILL BE VOID ONLY BE COPIED. 此图不可复制或更改。		CED	4/11/87
VIDEO BD OUT RUN		REV	837-6064-01
PC BD NO 171-5377-01.		PART NO.	
DESCRIPTION		SHEET	2 of 7



NEW, 1, 2, 3 116, 1, 2



NEW, 1, 2, 3 116, 1, 2

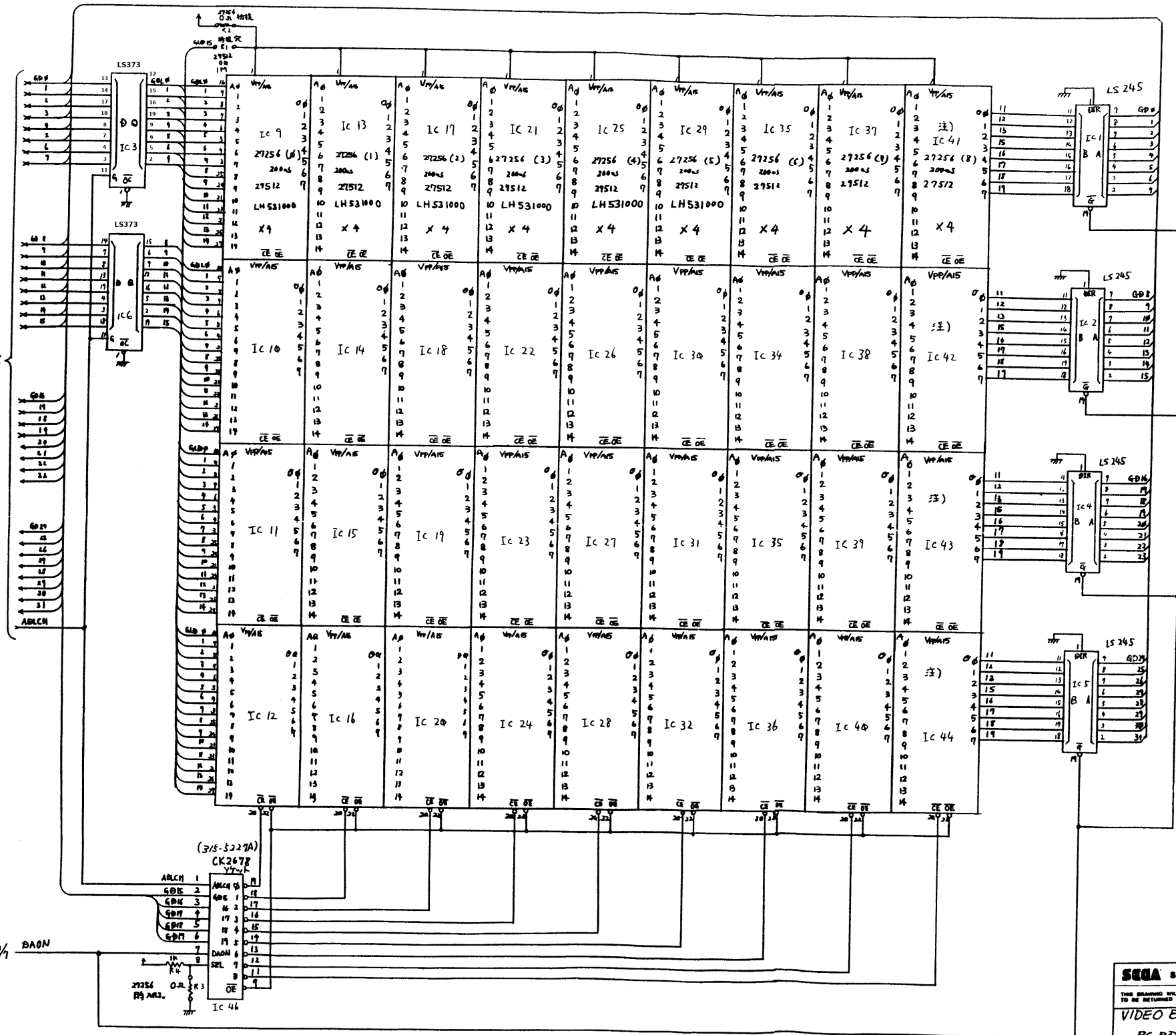


HM65256, μPD42832 対応用パターンについて

同一チップ位置で、DB~D7, AB~A7, WE, OE, CS 主
 交通の配線として AB~A14 を HM65256 用と μPD42832 用の
 別配線で行う。

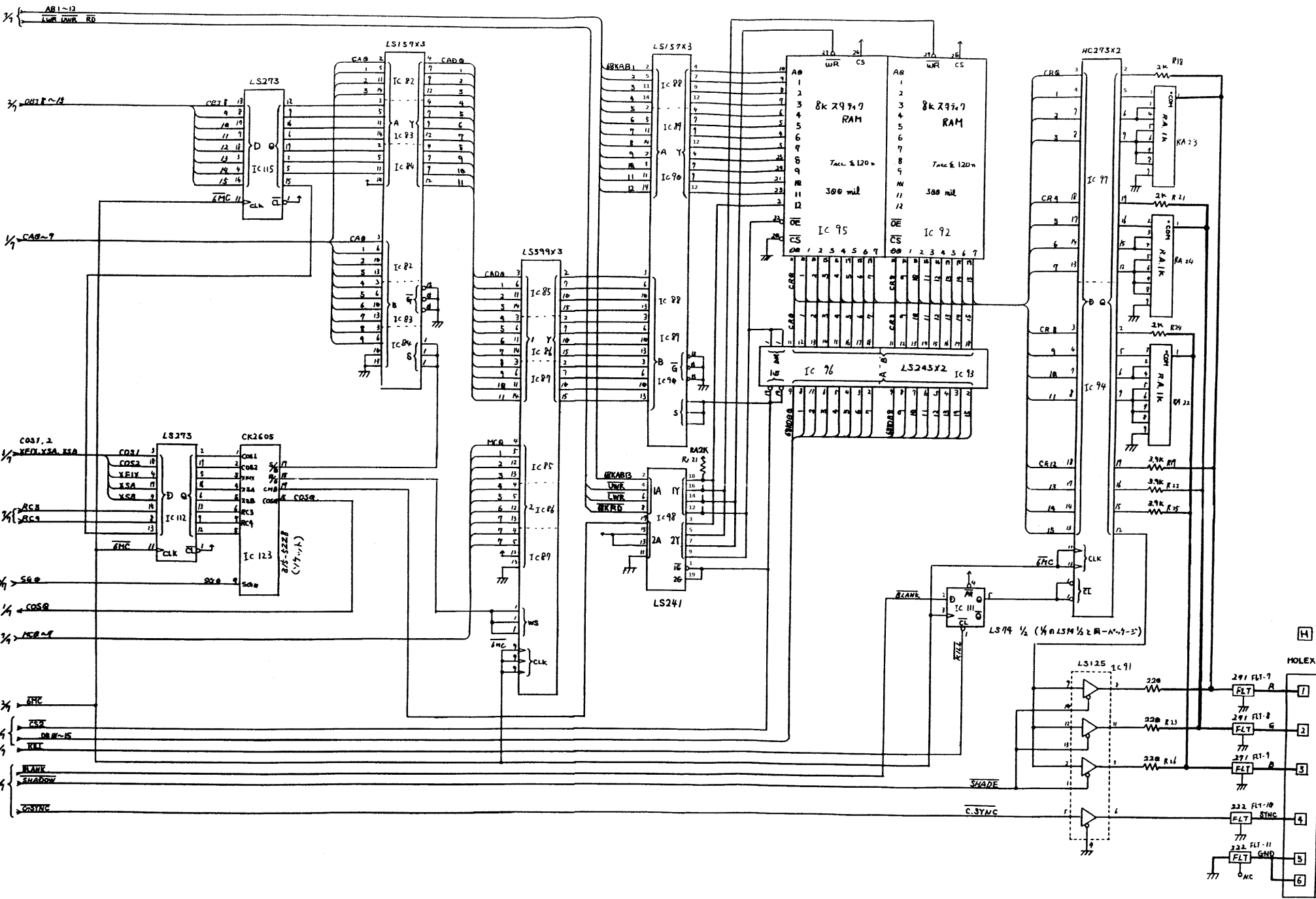
HM65256 ...300mil
 μPD42832 ...600mil

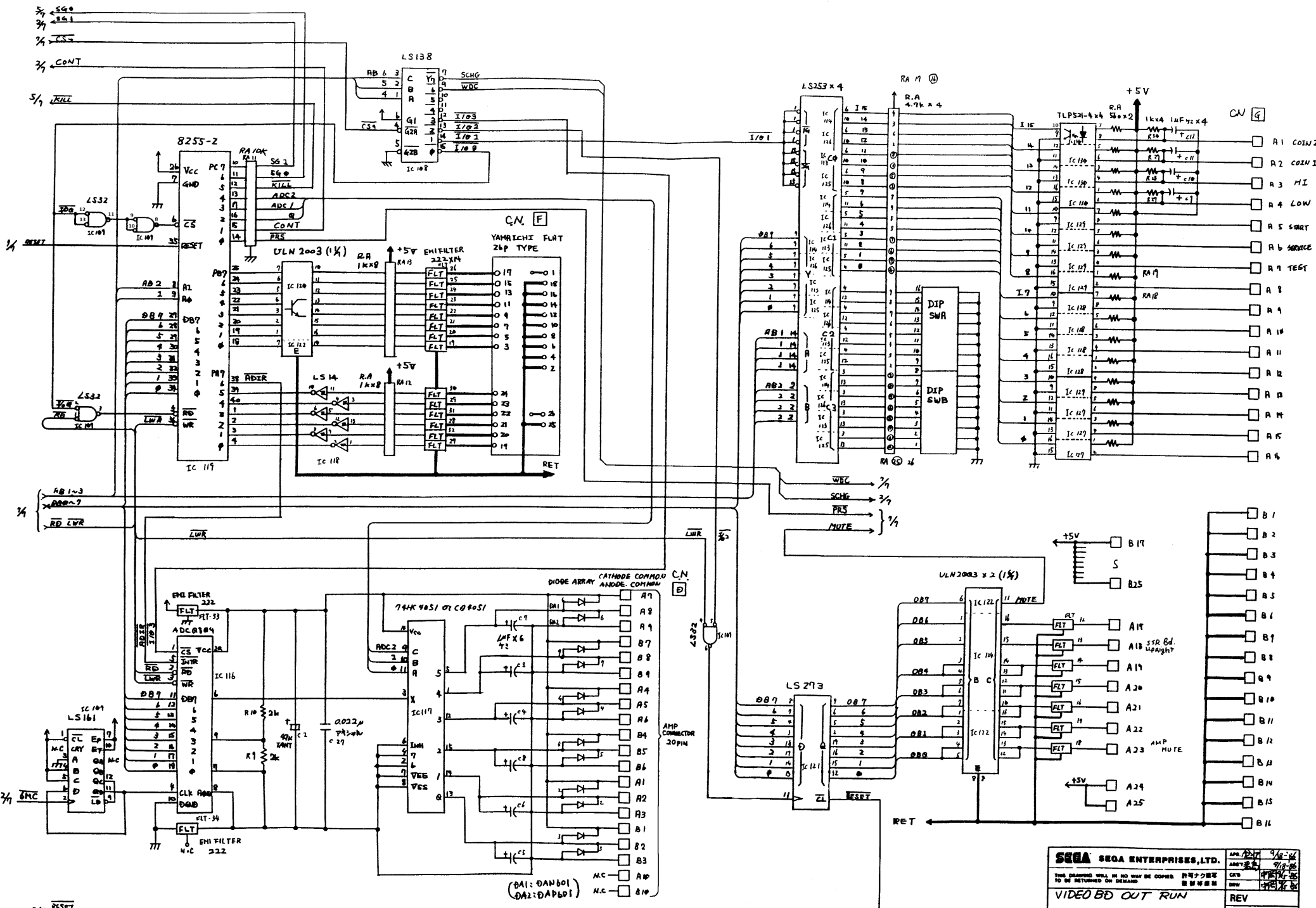
SEGA SEGA ENTERPRISES, LTD.		APL 7/27 1/2-2
THIS DRAWING WILL BE SO FAR BE COPIED. 許可なく複製 TO BE RETURNED ON REQUEST. 無断複製 製図番号		CHKD 1/27 1/2-2 REV. (1/27) 1/2-2
VIDEO BD OUT RUN		REV
PC BD NO 171-5377-01		837-6064-01
DESCRIPTION		PART NO.
		SHEET 3 of 7



この図面内の27256は1/4-1

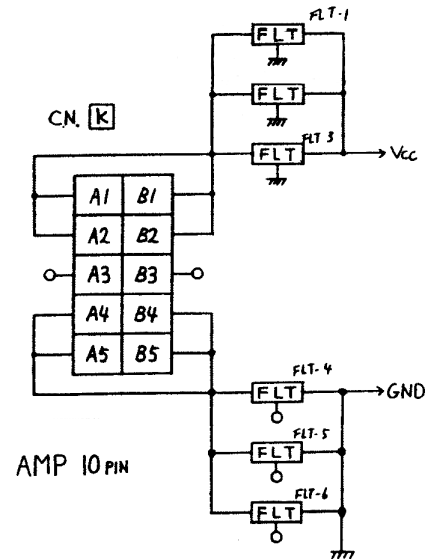
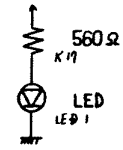
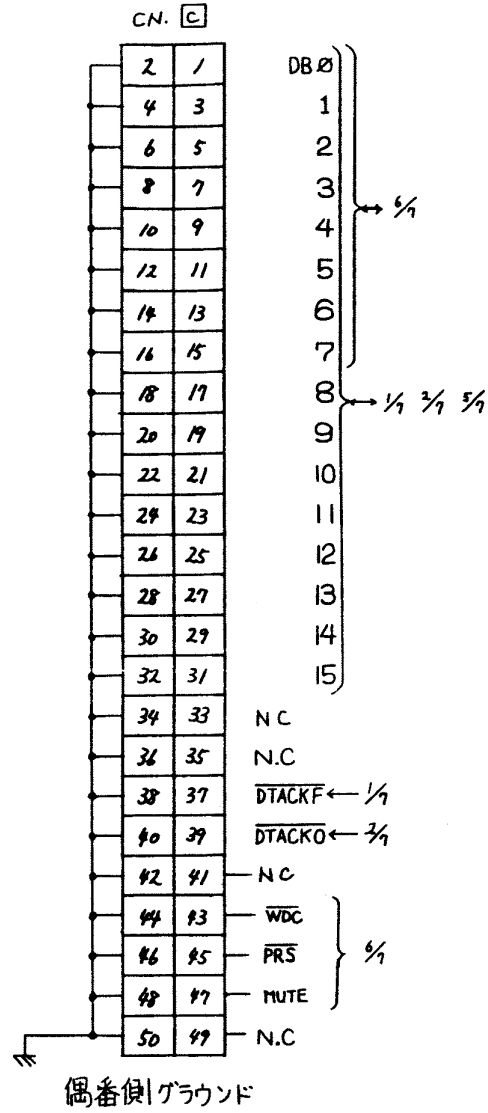
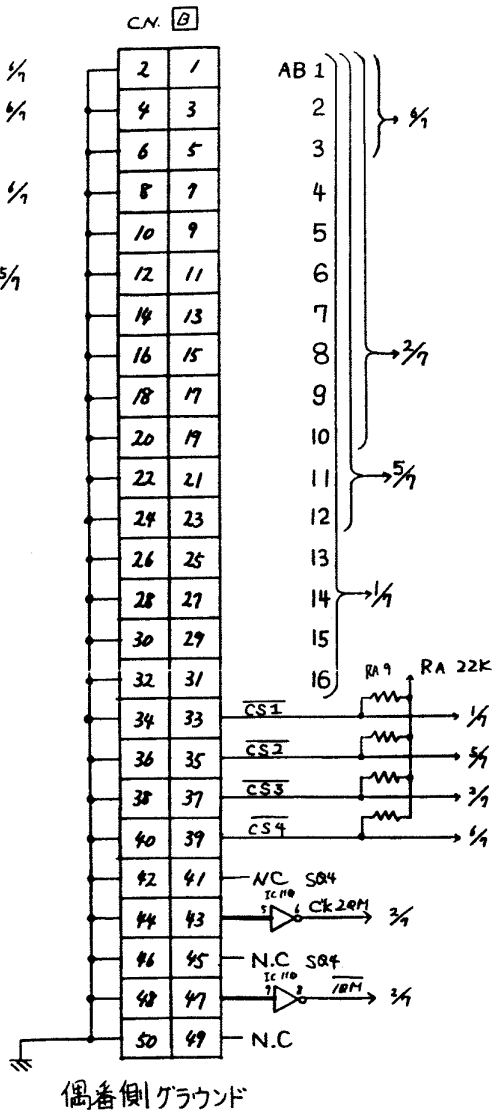
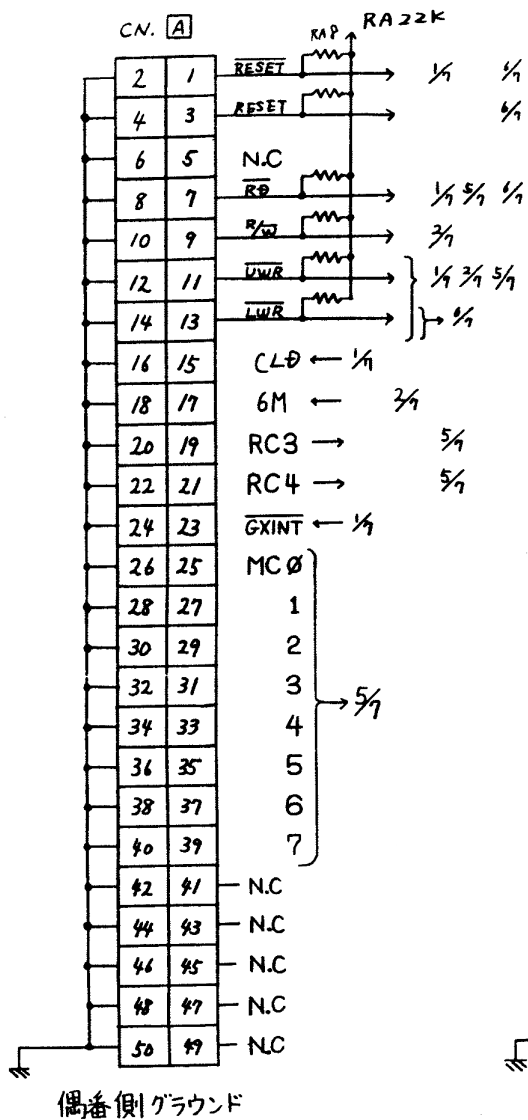
SEGA SEGA ENTERPRISES, LTD.		APP. 8/8	Y/S-W
THIS DRAWING WILL IN NO WAY BE COPIED. 許可なく複製 TO BE RETURNED ON DEMAND. 許可なく複製 複製等厳禁		CHKD	8/8
VIDEO BD OUT RUN		REV	837-6064-01
PC BD NO 171-5377-01		PART NO.	
DESCRIPTION		SHEET	8 of 7



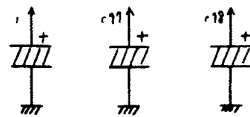


(DA1: DAN601)
(DA2: DAP601)

SEGA SEGA ENTERPRISES, LTD.		APP. 837	1/16-84
THIS DRAWING WILL IN NO WAY BE COPIED, REPRODUCED OR TRANSMITTED IN ANY FORM OR BY ANY MEANS, WITHOUT THE WRITTEN PERMISSION OF SEGA ENTERPRISES, LTD.		ASST. 837	9/18-83
VIDEO BD OUT RUN		CHKD. 837	9/18-83
PC 8D NO 171-5377-01		REV	837-6064-01
DESCRIPTION		PART NO.	
		SHEET	6 OF 7



470μF 16V
ケミコンX3



注) ボードの対角線上の四隅に配置する事

OUTRUN VIDEO 7 / 7