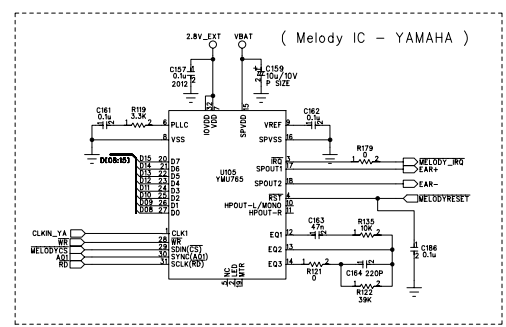
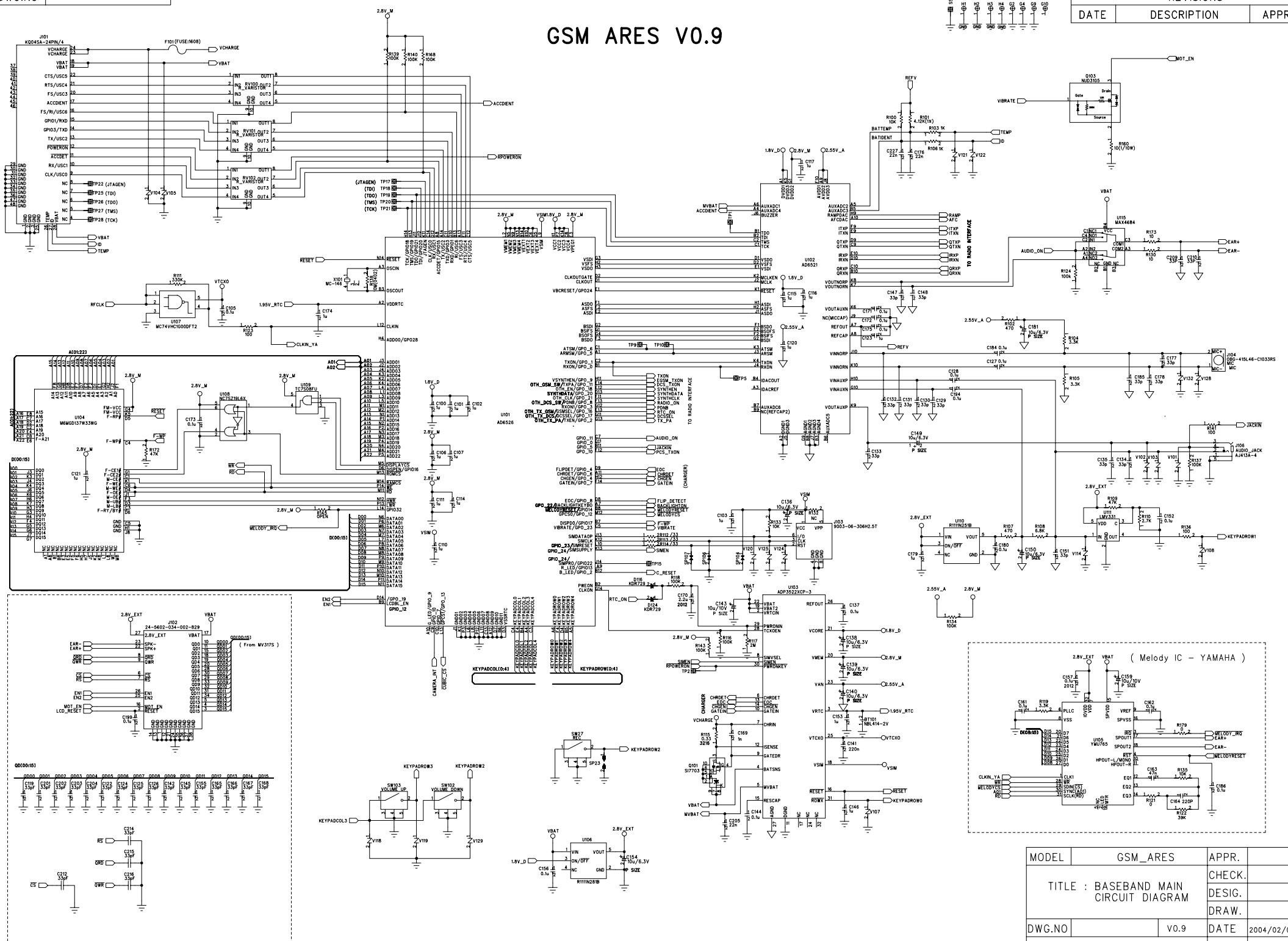
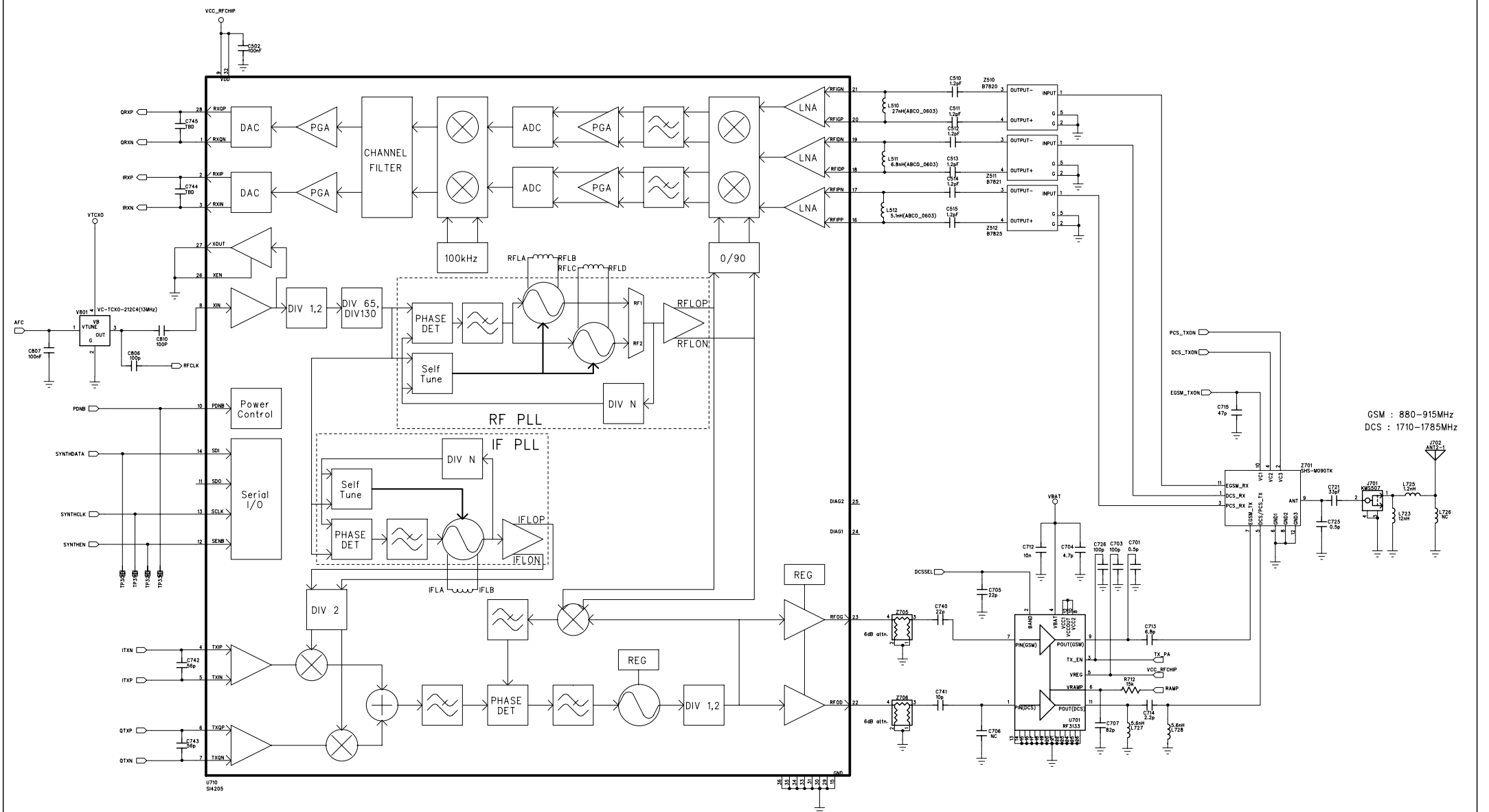


REVISIONS		
DATE	DESCRIPTION	APPR

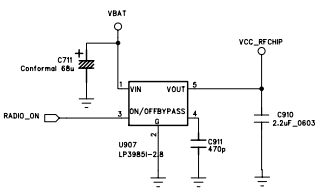
GSM ARES V0.9



MODEL	GSM_ARES	APPR.
TITLE : BASEBAND MAIN CIRCUIT DIAGRAM		
DWG.NO		V0.9
PANTECH CORPORATION		SHEET 1 OF 4

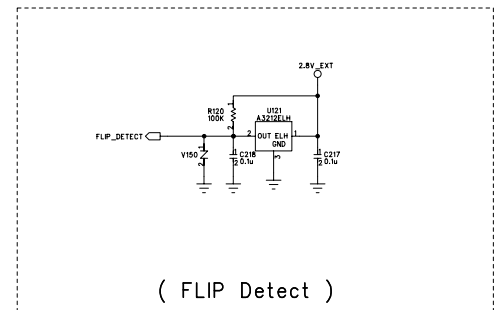
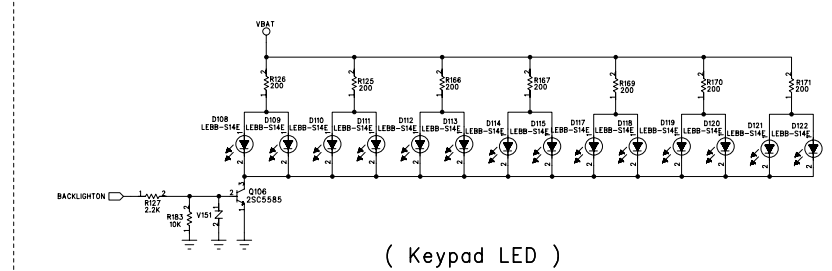
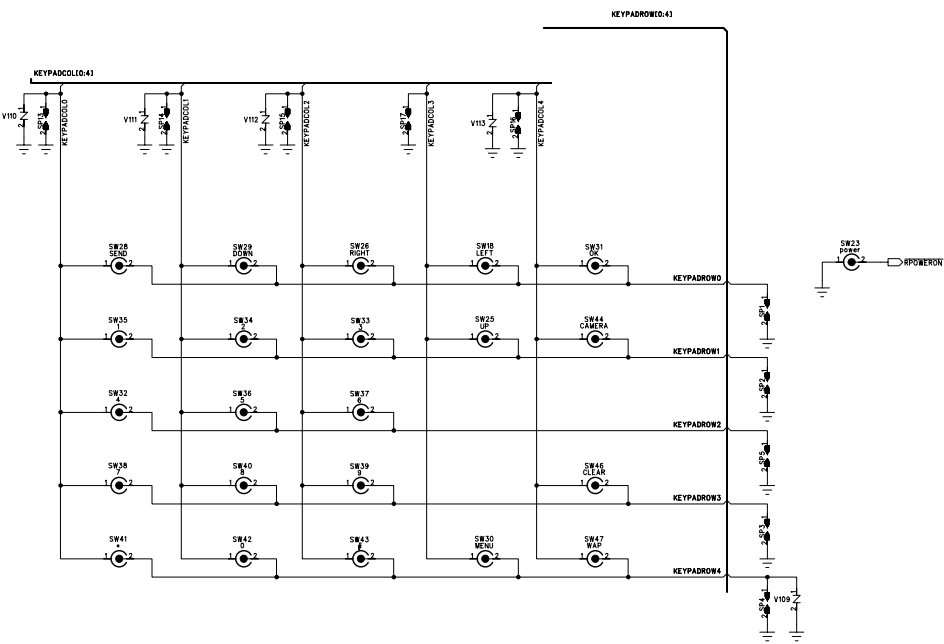
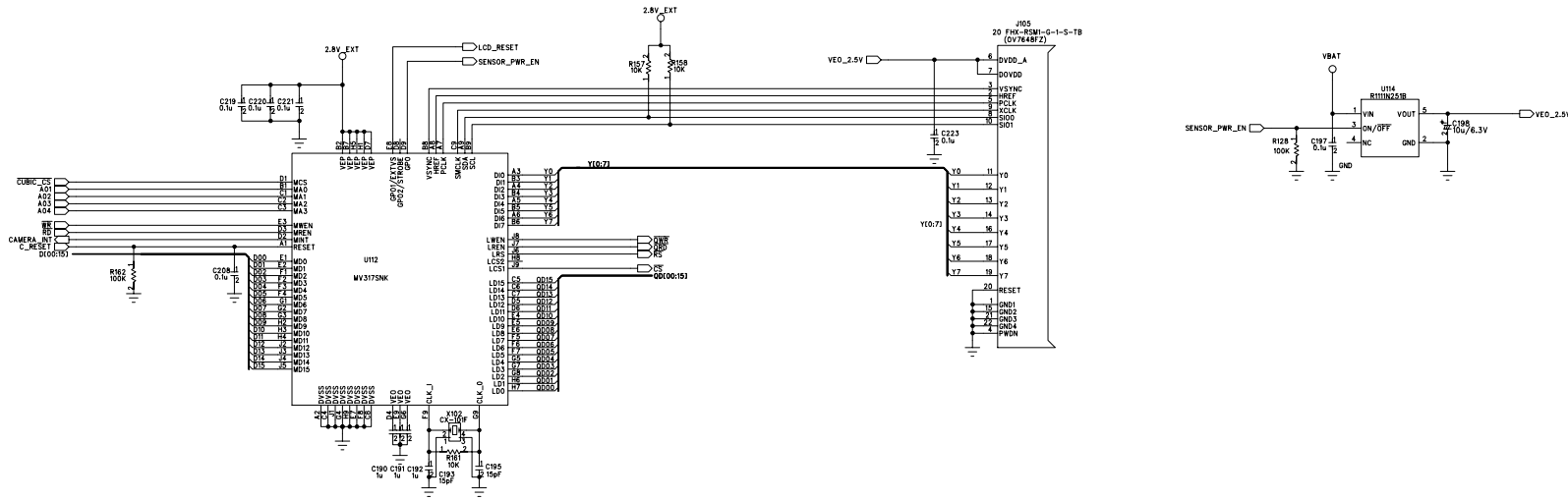


GSM : 880-915MHz
DCS : 1710-1785MHz



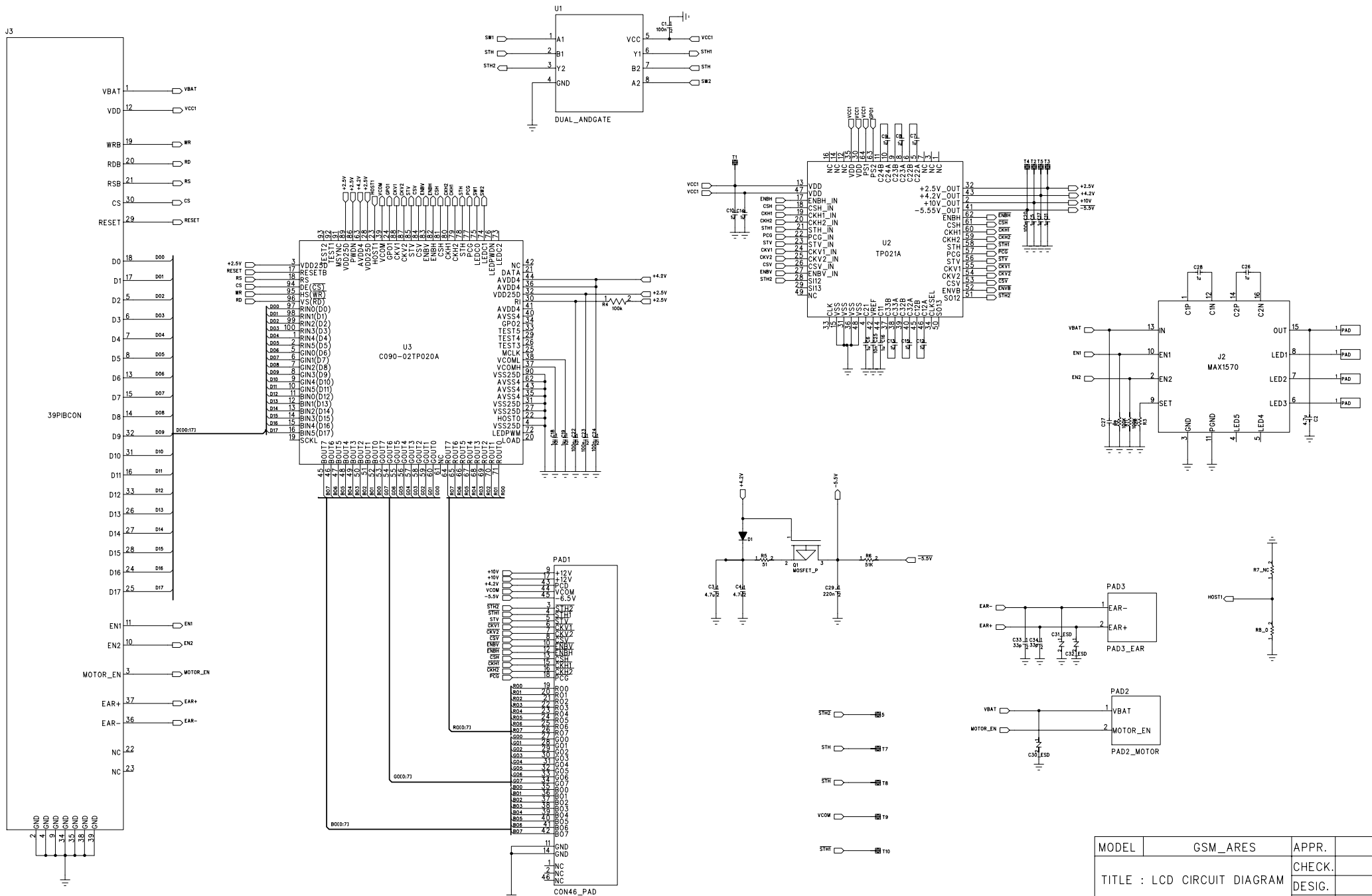
MODEL	ARES	APPR.	
TITLE : RF MAIN CIRCUIT DIAGRAM		CHECK.	
		DESIG.	
		DRAW.	
DWG.NO	REV:0.4	DATE	2003/09/22
PANTECH CORPORATION		SHEET	3 OF 4

(CAMERA MODULE)



(FLIP Detect)

MODEL	GSM_ARES	APPR.	
TITLE : BASEBAND CAMERA AND KEYPAD CIRCUIT DIAGRAM		CHECK.	
		DESIG.	
		DRAW.	
DWG.NO	V0.9	DATE	2004/02/05
PANTECH CORPORATION		SHEET	2 OF 4



MODEL	GSM_ARES	APPR.	
TITLE : LCD CIRCUIT DIAGRAM		CHECK.	
		DESIG.	
		DRAW.	
DWG.NO	VO.1	DATE	2003/09/22
PANTECH CORPORATION		SHEET	4 OF 4

ARES version 0.9

