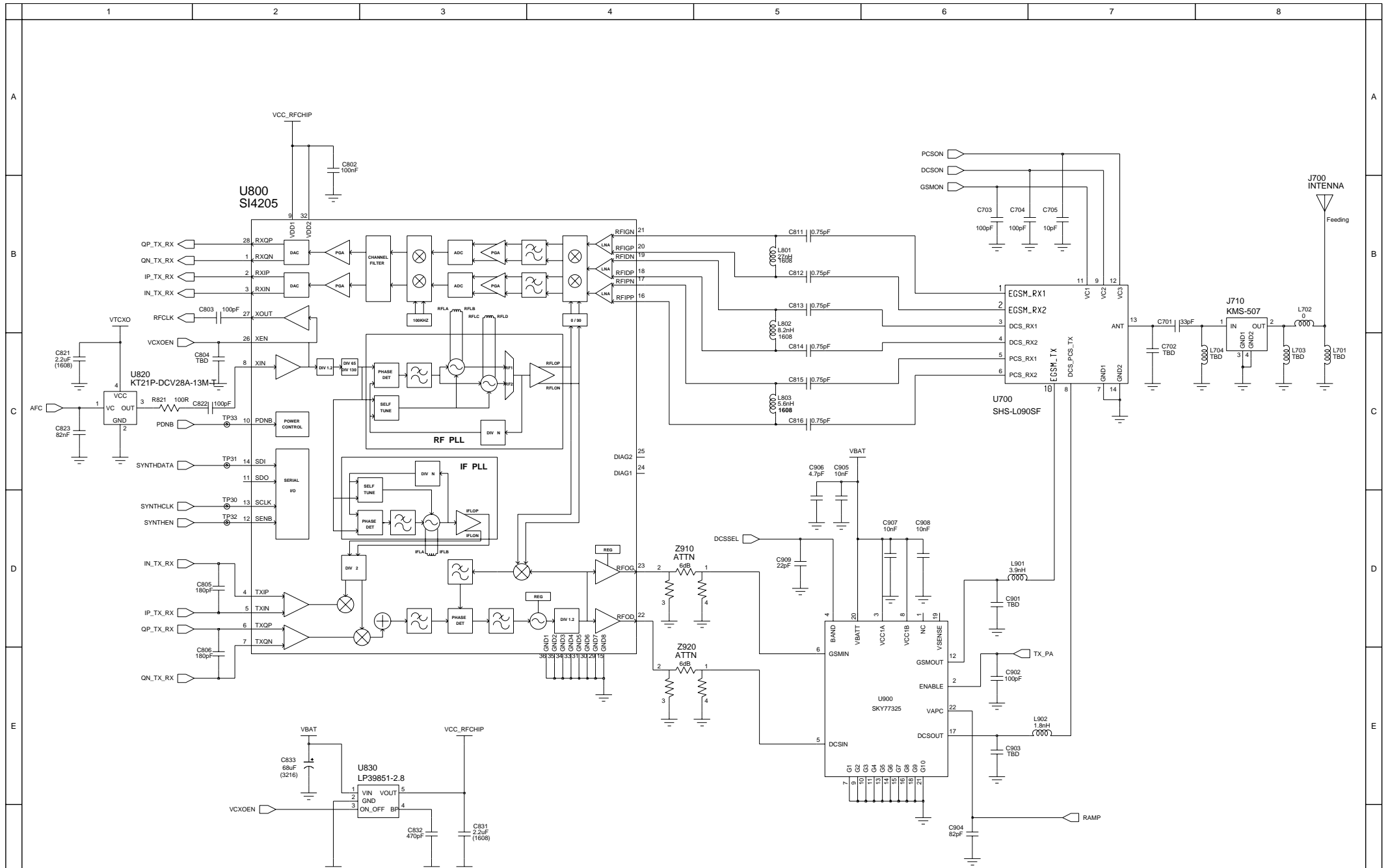


Drawn by	PANTECH LAB4 GH3TEAM		
RAD CHK	TITLE		
APPROVAL	GF500 BB M/P		
DATE 2005 / 2 / 3	REVISION 1.0	Sheet 01 of 02	



Drawn by	DW KANG	PANTECH LAB4 GH3TEAM	
R&D CHK	SY DO	TITLE:	
APPROVAL	BY LEE	GF500 RF M/P	
DATE	2005 / 1 / 25	REVISION	1.0
		Sheet 02 of 02	

