

1 Designate the iRemote[®] master charging bases

Remove the MAC ID sticker from master iRemote base(s) and place them in the boxes on the worksheet.



2 Name each zone and assign the user interfaces

Remove the MAC ID sticker from each user interface and place next to the zone to which it has been assigned.

iREMOTE MASTER CHARGING BASE (NETWORK 1)		iREMOTE MASTER CHARGING BASE (NETWORK 2)		
iREMOTE 001351000C02		iREMOTE 001351000C02		
MASTER CHASSIS ZONE NAMES AND USER				
ZONE		USER INTERFACE ASSIGNMENT		
OUTPUT	NAME	MAC ID#	MAC ID#	MAC ID#
1	Kitchen	SINGLE 001351000C02		
2	Patio	DISPLAY 001351000C02		
3	Master Bd	CONTACT 001351000C02		
4				

3 Assign sources

Enter the names of the source modules inserted in the card slots of the master chassis. For IM-AUDIO module(s), enter the brand, type and model of the component connected to it.

Note: Source in Card Slot 1 must be assigned to Master Key 1, Card Slot 2 must be assigned to Master Key 2, and so on.

Choose a label for the master key of each source module installed.

If one or more of the card slots are empty, you are free to assign any Source to the corresponding Master Key.

SOURCE MODULE ASSIGNMENT / MASTER KEY LABELS						
CARD SLOT	MODULE TYPE	SOURCE COMPONENT ASSIGNMENT			MASTER KEY LABEL	
		BRAND	TYPE	MODEL		
1	IM-iPOD	ICS			1	iPod
2	TM-XM	ICS			2	XM
3	TM-AM/FM	ICS			3	AM/FM
4	IM-AUDIO	SONY	DSS	SAT B3	4	DSS
5	IM-AUDIO	Denon	CD	DCM 560	5	CD
6	No Card in this slot / Unassigned			TM/XM	6	Rock
				TM/XM	7	Jazz
				TM/XM	8	Classical

MASTER KEY 1 iPod	MASTER KEY 2 XM
MASTER KEY 3 AM/FM	MASTER KEY 4 DSS
MASTER KEY 5 CD	MASTER KEY 6 Rock
MASTER KEY 7 JAZZ	MASTER KEY 8 CLASSICAL

1 iREMOTE MASTER CHARGING BASE (NETWORK 1) MAC ID# Label

iREMOTE MASTER CHARGING BASE (NETWORK 2) MAC ID# Label

2 MASTER CHASSIS ZONE NAMES AND USER INTERFACES

ZONE		USER INTERFACE ASSIGNMENT		
OUTPUT	NAME	MAC ID#	MAC ID#	MAC ID#
1	<i>Kitchen</i>	<input type="text" value="SINGLE 001351000C02"/>		
2	<i>Patio</i>			
3	<i>Master Bd</i>	<input type="text" value="CONTACT 001351000C02"/>	<input type="text" value="DISPLAY 001351000C02"/>	
4				
5				
6				

SLAVE CHASSIS # MAC ID# Label

SLAVE ZONE NAMES AND USER INTERFACES

ZONE		USER INTERFACE ASSIGNMENT		
OUTPUT	NAME	MAC ID#	MAC ID#	MAC ID#
1	<i>Den</i>	<input type="text" value="CONTACT 001351000C02"/>		
2	<i>Bedroom 1</i>	<input type="text" value="SINGLE 001351000C02"/>		
3	<i>Bedroom 2</i>	<input type="text" value="SINGLE 001351000C02"/>		
4				
5				
6				

3 SOURCE MODULE ASSIGNMENT / MASTER KEY LABELS

CARD SLOT	MODULE TYPE	SOURCE COMPONENT ASSIGNMENT			MASTER KEY LABEL	
		BRAND	TYPE	MODEL		
1	IM-IPOD	ICS			1	ipod
2	TM-XM	ICS			2	XM
3	TM-AM/FM	ICS			3	AM/FM
4	IM-AUDIO	SONY	DSS	SAT B3	4	DSS
5	IM-AUDIO	Denon	CD	DCM 560	5	CD
6	No Card in this slot / Unassigned			TM/XM	6	Rock
				TM/XM	7	Jazz
				TM/XM	8	Classical

Note: Source in Card Slot 1 must be assigned to Master Key 1, Card Slot 2 must be assigned to Master Key 2, and so on.

Note: If one or more of the card slots are empty, you are free to assign any Source to the corresponding Master Key.

Assign sources

Enter the names of the source modules inserted in the card slots of the master chassis. For IM-AUDIO module(s), enter the brand, type and model of the component connected to it.

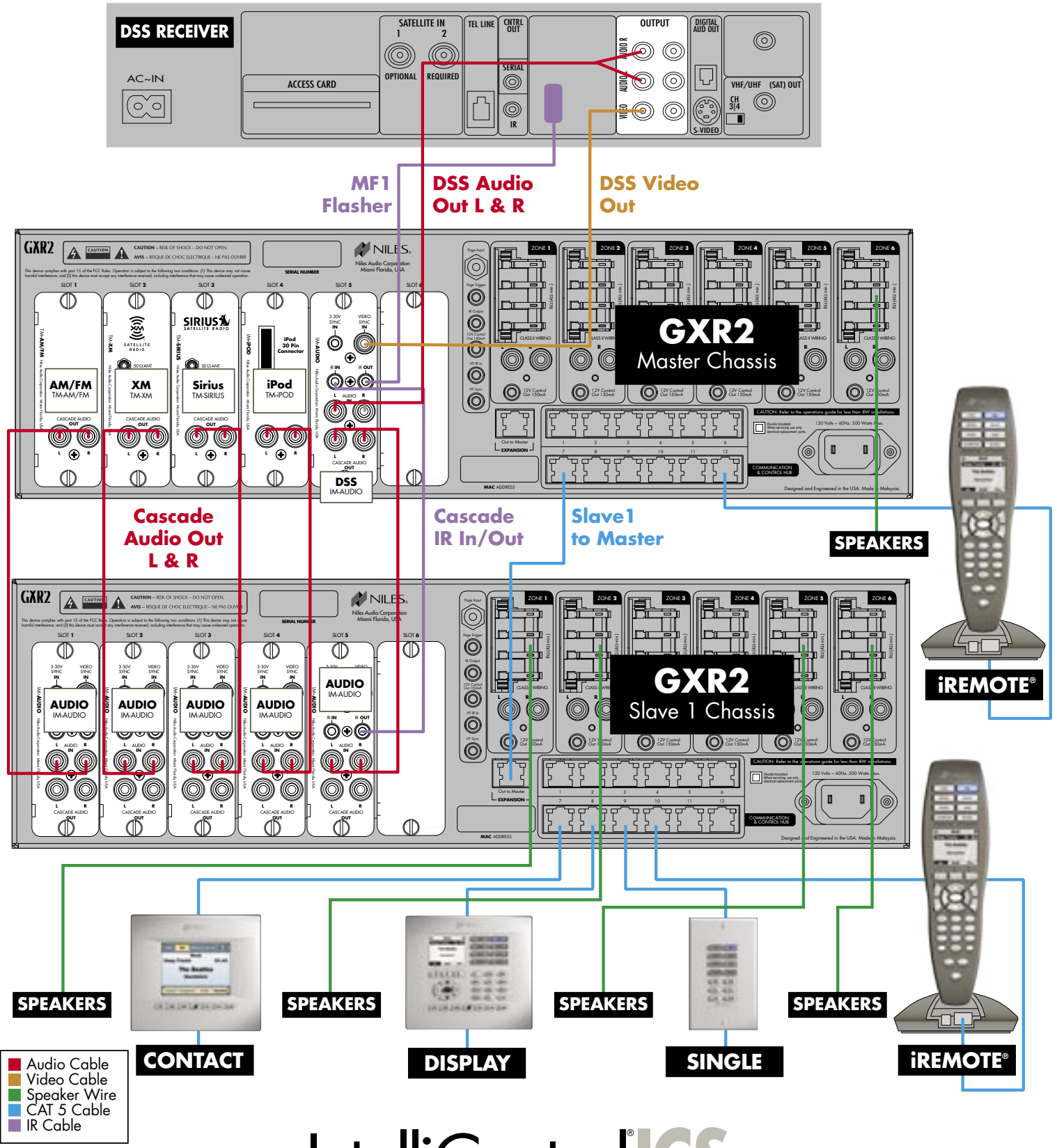
Choose a label for the master key of each source module installed.

For remaining master keys, choose a label based upon the module in that slot.

MASTER KEY LAYOUT

MASTER KEY 1 <input type="text"/>	MASTER KEY 2 <input type="text"/>
MASTER KEY 3 <input type="text"/>	MASTER KEY 4 <input type="text"/>
MASTER KEY 5 <input type="text"/>	MASTER KEY 6 <input type="text"/>
MASTER KEY 7 <input type="text"/>	MASTER KEY 8 <input type="text"/>

ALL MASTER KEYS THROUGHOUT THE SYSTEM MUST BE IN THE SAME LOCATION.



IntelliControl ICS

INTEGRATED CONTROL SOLUTIONS

ENGINEERED BY NILES

©2006 Niles Audio Corporation 12331 S.W. 130 Street, Miami, FL 33186 Tel: 800.BUY-HIFI - www.nilesaudio.com - All rights reserved. Niles, the Niles logos, IntelliControl and iRemote are registered trademarks of Niles Audio Corporation. All other trademarks are the property of their respective owners. Designed and engineered in the USA. DS00455B