

MIW-XT INSTALLATION INSTRUCTIONS

CAUTION:

Only for use with 15 Amp branch circuits utilizing 14 or 12 gauge wire. Make sure the branch circuit is de-energized before installation.

NOTE:

The type of installation and outlet box will determine which components are used. The MIW mounting ears will **only** be attached on old work installations using the Raco 508 electrical box.

STEP 1:

Determine which signal line and outlet box configuration you will be using before beginning installation, as it may affect which components are installed. The kit can be used with the included MIW Pass-Through Insert or with a variety of signal line products (sold separately): Panamax signal line modules, Keystone inserts (fig. 1), or Decora® signal line inserts (fig. 2).

STEP 2:

Select a location close to the equipment. In the case of a Plasma TV, this may be behind the display device and be totally hidden from view, once the Plasma TV is mounted. Cut a 3 3/4" wide by 3 3/4" high hole in the wall for the outlet box. (When using mounting ears, cut a 4 1/8" wide by 4 1/4" high hole in the wall for the outlet box).

STEP 3:

Run the source wire (e.g. Romex) through an opening in the outlet box (both sold separately).

No more than 1" of wire sheath should extend into the outlet box. 3" of wire should be able to extend beyond the opening of the outlet box. Install the outlet box into the hole.

STEP 4:

Attach the mounting bracket to the outlet box (fig. 4).

If not using a dual-gang, divided outlet box, you will need to attach the Decora assembly or module bay assembly to the mounting bracket (fig. 3) using the #6-32 nuts and lock washers **before** installing the mounting bracket to the wall. If using a dual-gang outlet box, the nuts and washers will need to be removed.

STEP 5:

Strip AC wire (e.g. Romex) and connect using the included wire nuts. First connect the ground wire (green insulated) on the Max In-Wall and bare copper on the building wire. Then connect the neutral wire (white), then the hot wire (black).

STEP 6:

Run the signal line(s) through the low-voltage signal bay.

If using the MIW Pass-Through Insert (fig. 7), remove the rubber grommet and cut a hole in the rubber grommet so that it fits snugly around the signal line. Pass the signal line through the signal bay, place the rubber grommet over the signal line, and put the rubber grommet back in place.

Optional Signal Protection Module Usage:

Panamax In-Wall signal protection modules (fig. 8) may be used to provide a clean looking interface for the signal lines.

MIW-XT SPECIFICATIONS

AC Circuit

AC Outlets, Total:1

Line Voltage:120V, 60Hz

Total Current Capacity:15A

IEC Power Inlet Cord

Length:6 feet

Connectors:IEC 320 C13

NEMA 5-15P

Flat Plug AC Power Cord

Length:11 inches

Connectors:NEMA 5-15P

NEMA 5-15R

Power Inlet Faceplate

AC Connector:IEC 320 C14

Signal Line Protection:Not Included /

Modules Sold

Separately

Power Outlet Faceplate

AC Connector:NEMA 5-15R

Noise Filtration:Level 1

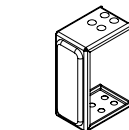
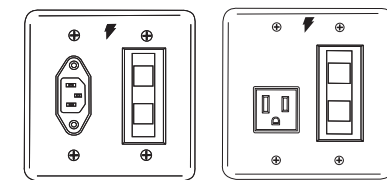
Signal Line Protection:Not Included /

Modules Sold

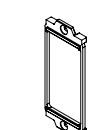
Separately

CONTENTS*

One each In-Wall power inlet and outlet enclosure



MIW Pass-Through Insert (2)

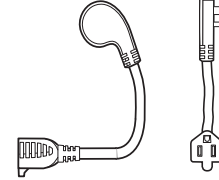


Decora® adapter (2)

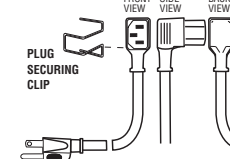


Keystone module insert (2)

(Side View) (Back View)



11" flat plug adapter power cord (1)



6' IEC power cord & securing clip (1)

- (6) Wire Nuts, 14/14 and 12/14 AWG solid wire compatible
- (8) #6-32 8mm Flat Head Philips Faceplate Screws
- (8) #6-32T Pan Head Mounting Screws - Philips
- (2) Mounting Brackets
- (4) Mounting Bracket Ears
- (4) #2.6-28T screws for Mounting Post
- (4) #6-20T screws for Mounting Bracket Ears
- (1) Mounting Template

* Installation options will determine which parts are used. Not all components will be utilized.

QUESTIONS ABOUT PF POWER PRODUCTS?

PFPower by Panamax~Furman
1690 Corporate Circle
Petaluma, CA 94954
Phone - 707-283-5900 or 800-472-5555
Fax - 707-283-5901
Web - www.panamax.com or www.furmansound.com

Customer Relations
7:30 AM - 4:30 PM,
M-F, Pacific Time (PST)
Email - custrelations@panamax.com

© 2009 PFPower is a Trademark of Panamax, Inc
Max In-Wall is a Trademark of Panamax, Inc

Decora® is a Registered Trademark of Leviton Manufacturing Co, Inc.



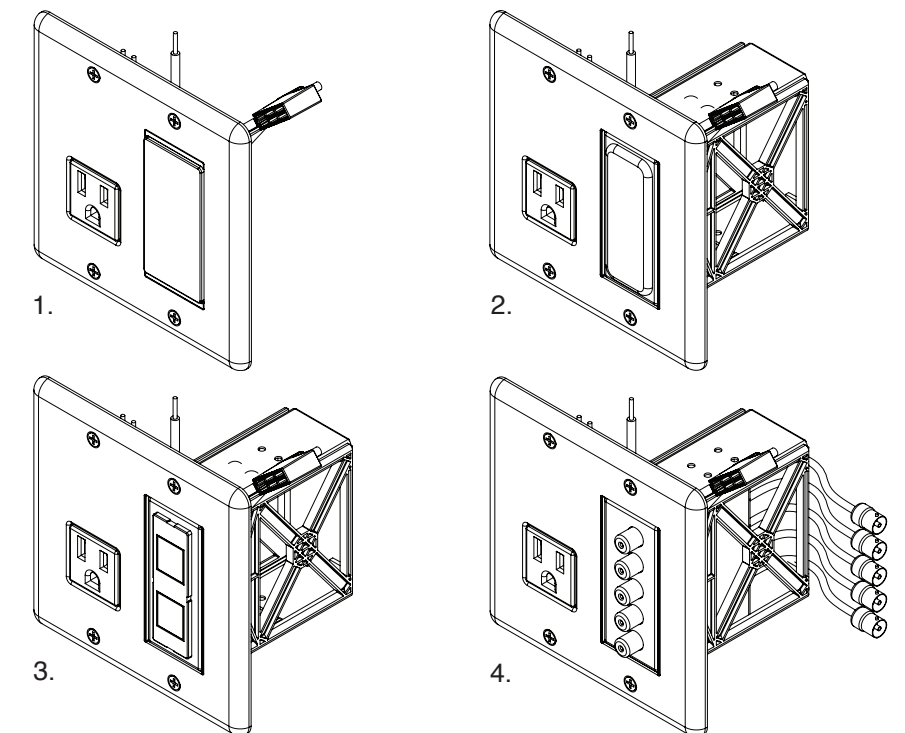
1690 Corporate Circle, Petaluma, CA. 94954
www.panamax.com or www.furmansound.com

MIW-XT

MAX IN-WALL™ POWER MANAGEMENT EXTENDER SYSTEM Installation Instructions

- Power and signal lines are hidden in the wall or behind panel displays for a clean, tidy and professional installation.
- Extend Connected Equipment Policy to remote equipment when used with Panamax/Furman Power Management components.
- Ultra-thin profile can allow equipment to hang less than one inch from the wall.
- Accommodates optional MIW Signal Line Modules (MIW modules sold separately).
- CSA certified for code compliant installations.
- EMI/RFI noise filtration built into outlet receptacle.
- 3 Year Product Warranty.

Kit Includes Components for Four Possible Installation Configurations:

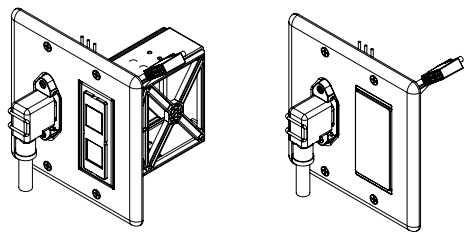


Signal line module bay provides variety of optional installation solutions by using:

1. Decora® adapter • Trim plate to accommodate a variety of audio/ video connections.
2. Pass-through insert • For Keystone adapter or rubber grommet.
3. Keystone 2-port adapter • For flexible connection capability.
4. MIW Signal Line Modules
• MIW-5RCA • MIW-VGA • MIW-SVIDEO • MIW-DATA
(MIW modules sold separately, contact Panamax/Furman)

MIW-XT INSTALLATION INSTRUCTIONS

fig. 1 MIW-XT With Keystone insert
fig. 2 MIW-XT With Decora® adapter



PASS THROUGH CONFIGURATION

New work installation using signal bay and Carlon SC200DV plastic electrical box.

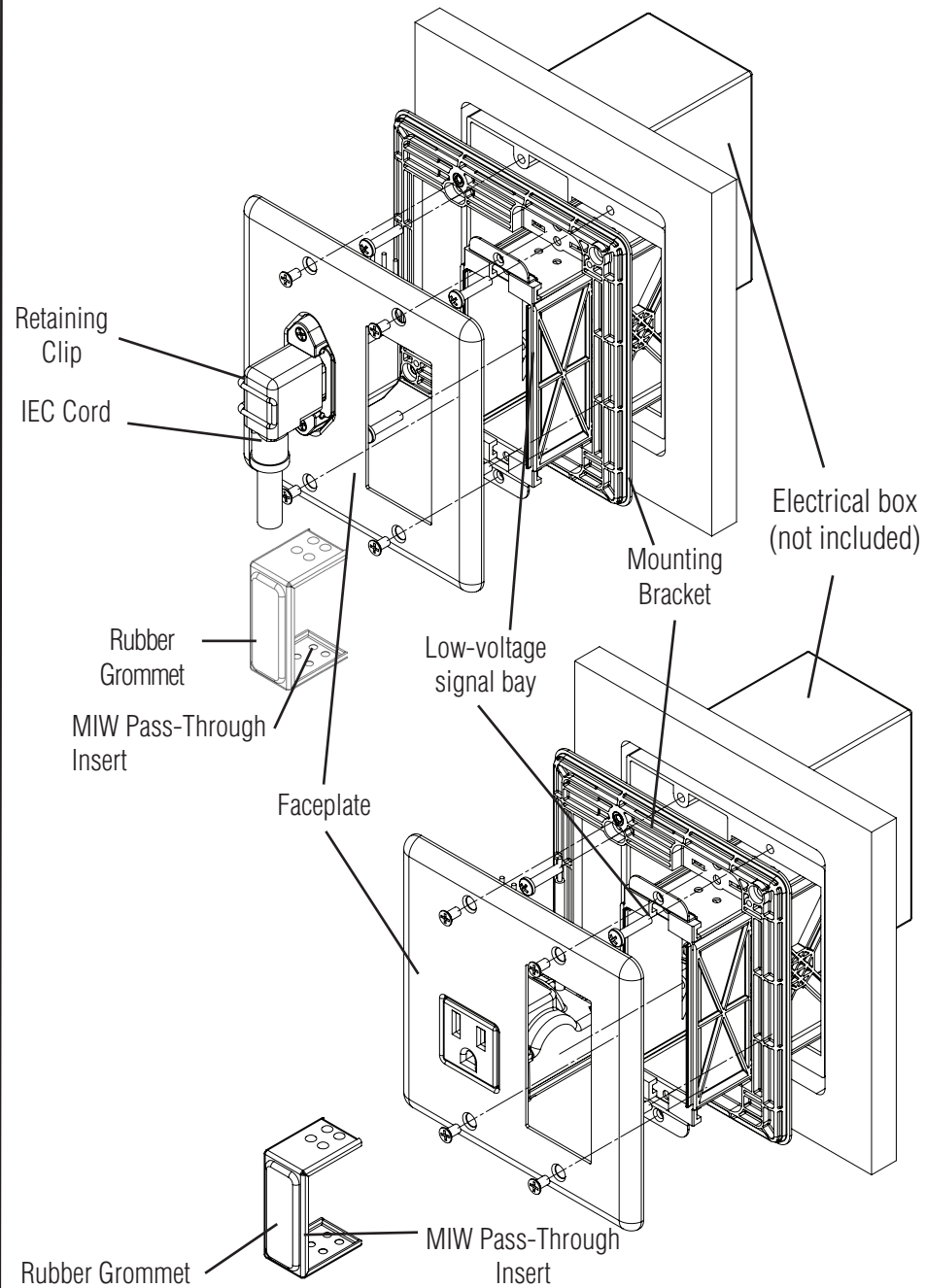


fig. 3 Mounting Bracket with keystone module insert option
fig. 4 Mounting Bracket and wall cut-out

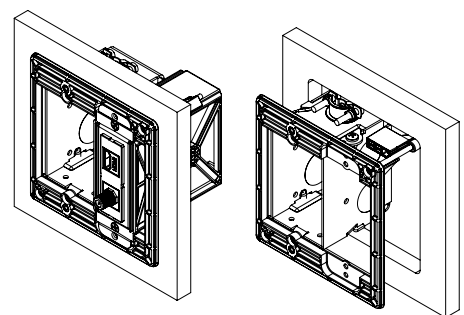


fig. 5 Mounting Bracket installed, rear view showing mounting ears
fig. 6 Rear of MIW-XT showing wire pigtails

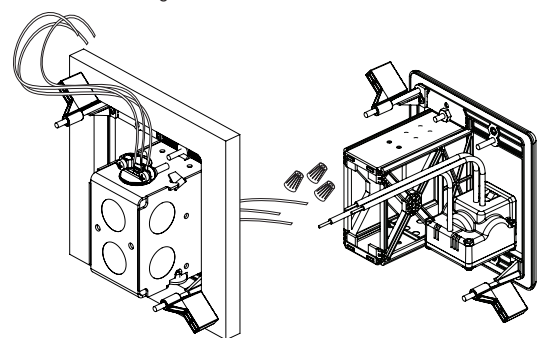
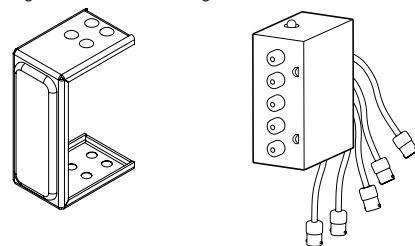


fig. 7 MIW Pass-Through Insert
fig. 8 Panamax Max In-Wall Signal Line Protection Module



INSTALLATION ALERT

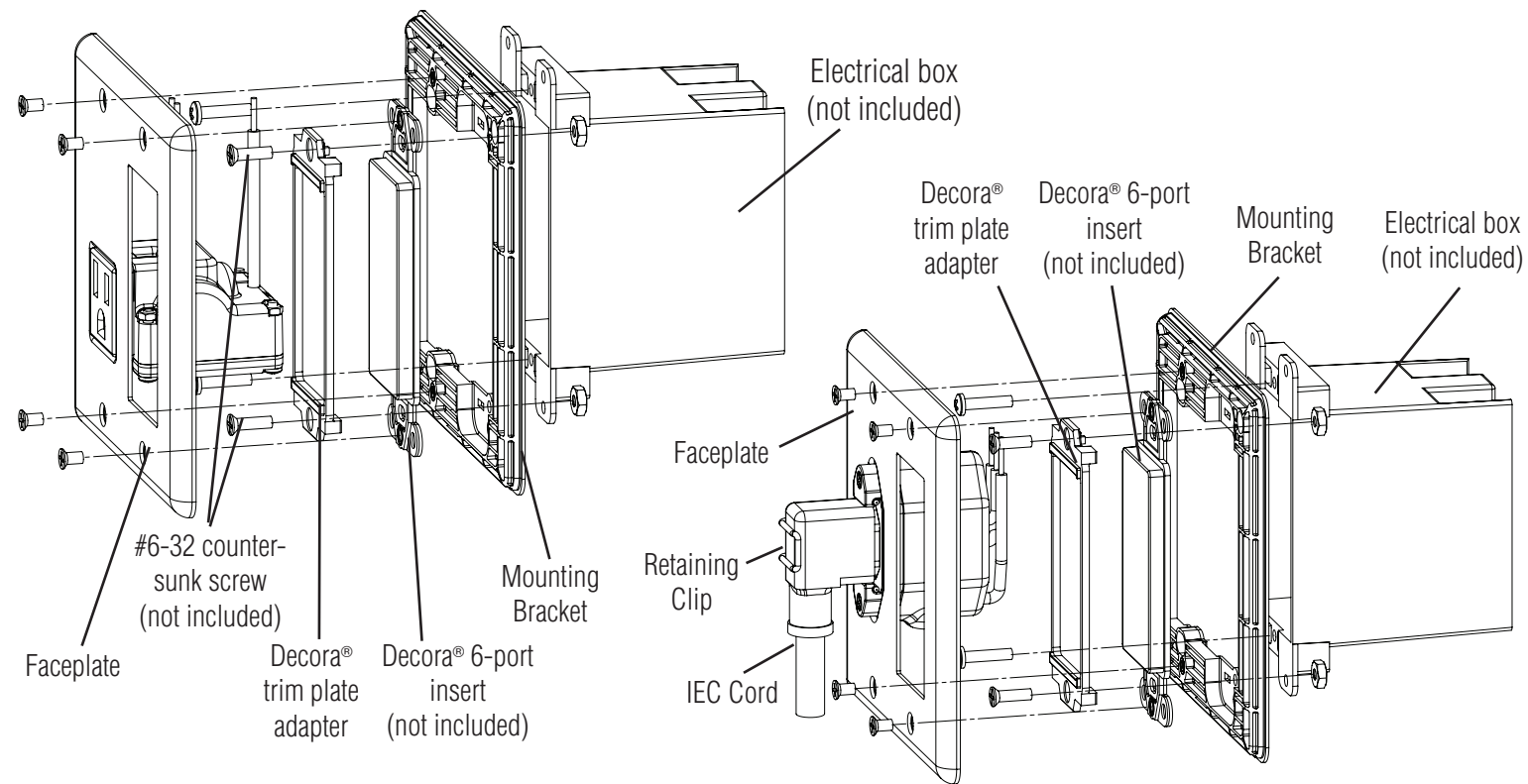
Installation requires use of an outlet box or boxes that are NOT provided with the product. Product has been tested thoroughly to be compatible with the following outlet boxes:

	NEW WORK	OLD WORK
Plastic:	Carlon SC200DV	Carlon B114R
Metal:	Raco 8355	Raco 508 (hardware removed)

INSTALLATION ALERT

DECORA CONFIGURATION

Installation using Decora adapter and Carlon B114R electrical box.



KEYSTONE CONFIGURATION

Installation using Keystone insert and Raco 508 (or 8500) electrical box.

