

PPSP

Quick Install Guide

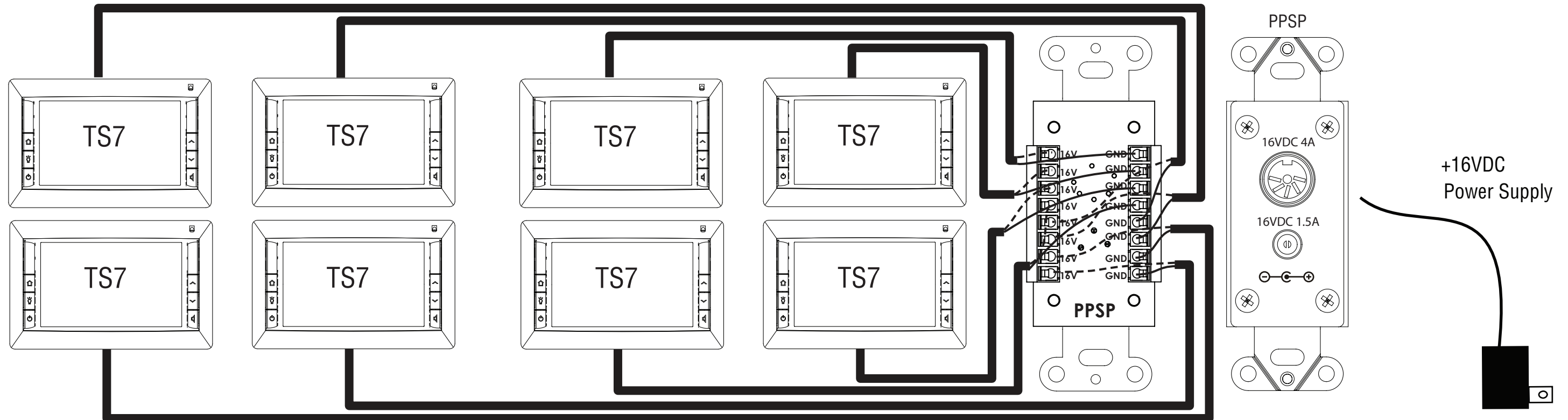
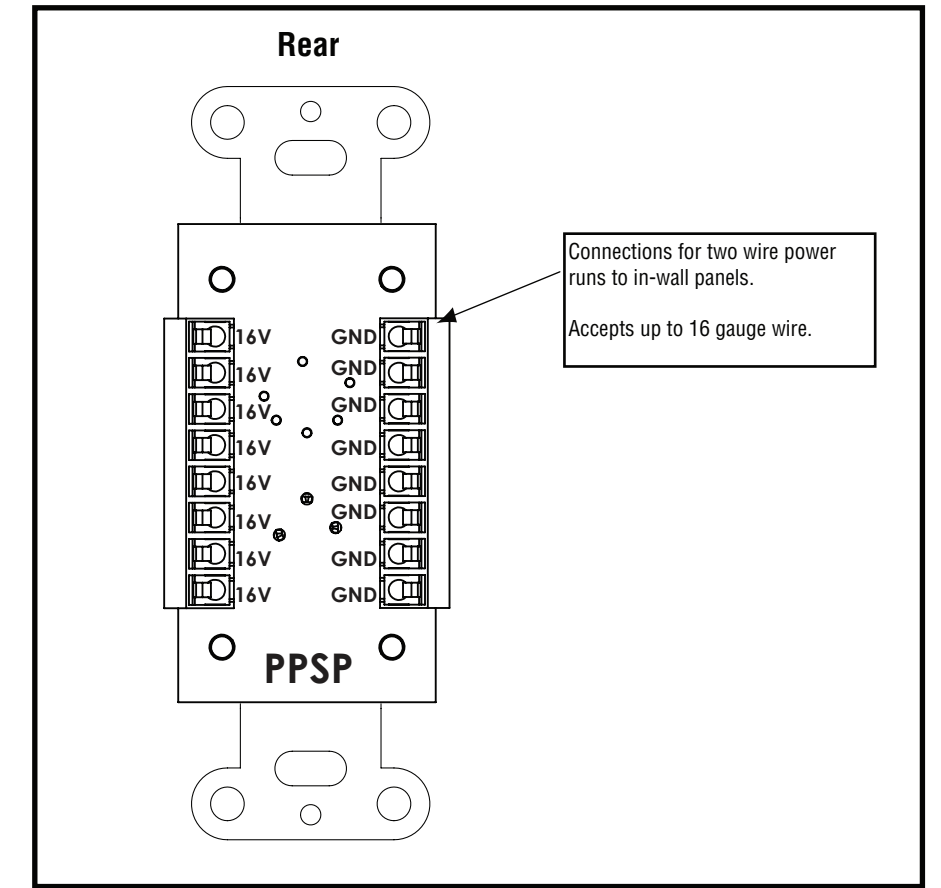
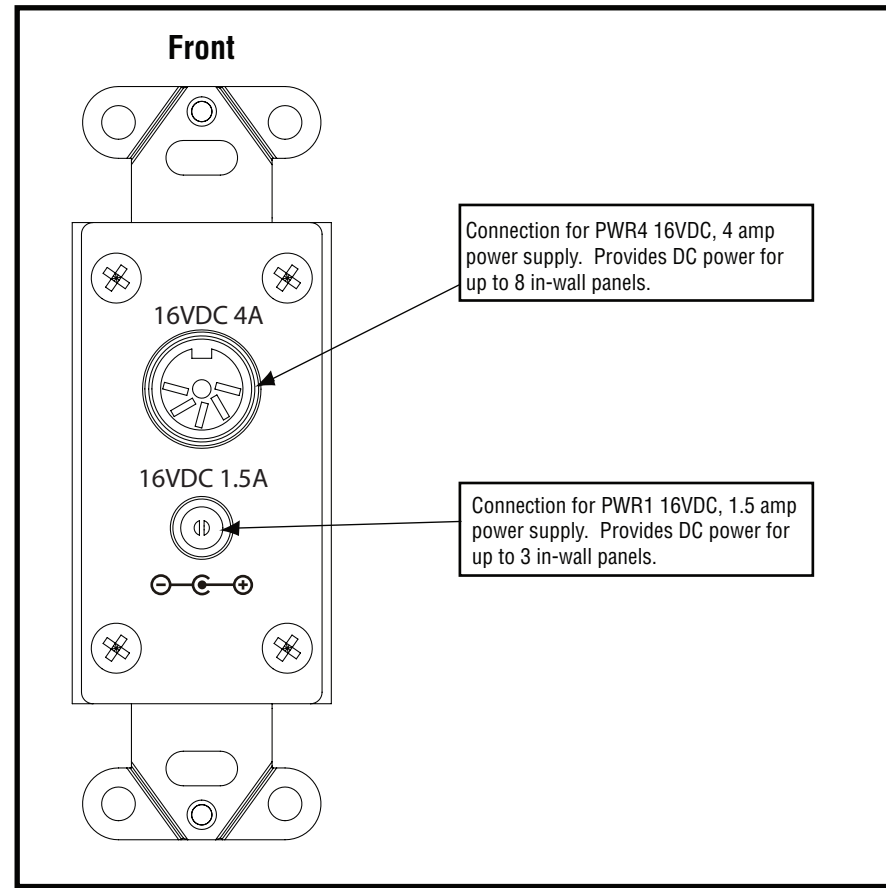


POWER PRECISION PANEL

Application: Provides DC power distribution for up to 8 in-wall panels.

Location: Head-End

Wiring Basics: PWR1 or PWR4 connects to the front, Two wires carry power from the rear panel screwdown blocks to in-wall panel locations.



Sample System Layout

