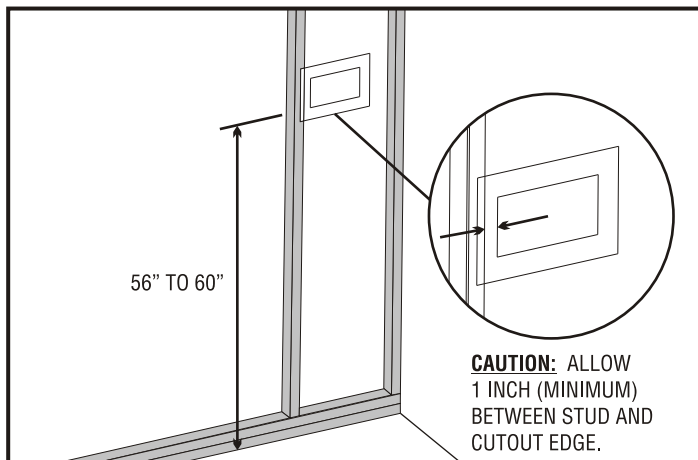


TS7 Quick Reference Installation Guide

If installing the TS7 into new construction, it is advisable to use the Rough-in Bracket (TS7BKT). Install the bracket after the studs are in place and the electrical wiring is installed, but before the drywall is up. If installing the TS7 in existing construction, position the panel according to **Figure 1** and be sure to leave **1 inch** between any adjacent stud and the cutout hole such that winglets can swing out freely and clamp to the drywall. Make required connections according to **Figure 2**. As shown in **Figure 3**, install the panel into the cutout hole and drive the winglet screws on the left and right side by driving the screws using a phillips screw driver with #2 bit. A handheld screw driver is highly recommended to prevent damaging the panel. Tighten the screws until a slight resistance is detected and rotate another half turn by hand. Finally, install the front bezel as shown in **Figure 4** and the stylus in **Figure 5**.

Figure 1

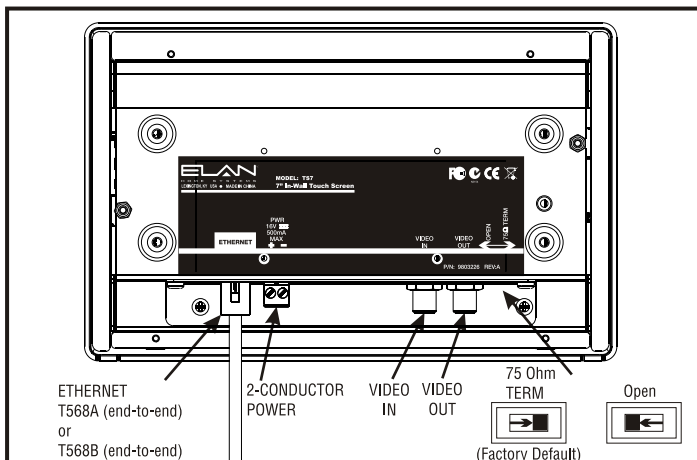
Use mounting template to choose height & position on wall



For optimal viewing, the TS7 should be installed 56" to 60" from the floor to the bottom of the frame when mounted in a wall. In custom applications, factor in viewing angles specified of the TS7 to be sure that graphics and video remain visible in the prospective viewing location. If using a pre-construction bracket the mounting template shown above will not be needed, simply cut the hole after drywall installation. For existing construction, shown above use the template provided to choose a cutout hole location and be sure to allow clearance for winglets as shown above.

Figure 2

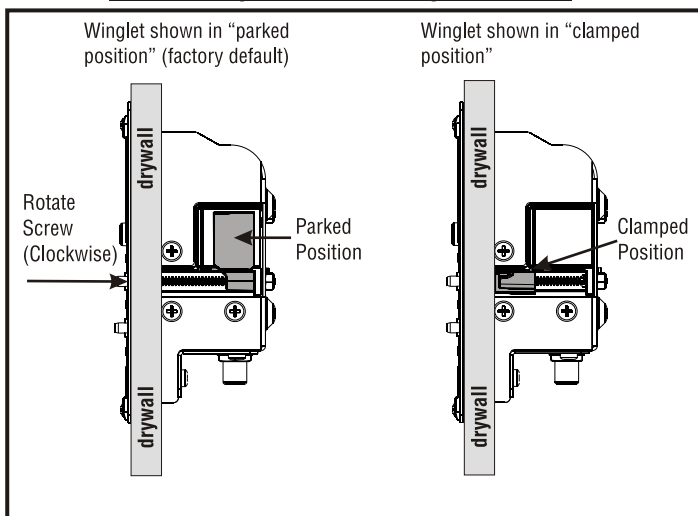
Connect data, power, and video cables



Attach CAT5 ethernet cable using either T568A (end-to-end) or T568B (end-to-end). Attach a 16 AWG 2-conductor power cable to location shown above using connector provided. Attach RG6 or RG59 coax to the composite video input connection if desired. The TS7 also includes a video out connection if the panel is being installed with other panels and/or televisions located in the same area if the same video feed needs to be displayed on all devices. If using the video out, the switch setting will need to be set to the "open" position.

Figure 3

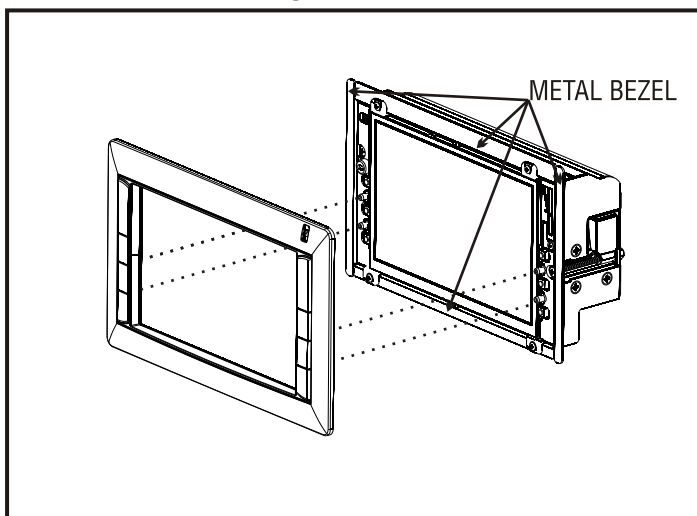
Install TS7 panel into the drywall cutout



After making all necessary connections, place the TS7 panel into the cutout in the drywall. Preferably, use a screw driver with a #2 phillips bit to drive and tighten the winglet screws. If a battery powered drill must be used, be sure to set the drill in the LOWEST clutch setting before attempting to install the panel or damage may result. With the panel inserted into the cutout as shown above in Figure 3 on the left-hand side, drive the winglet screw clockwise until resistance is felt when the winglet strikes the backside of the drywall. Rotate the screw another half turn. For removal, rotate the screw counterclockwise until the winglet is in the "parked" position shown on the left-hand side above. **DO NOT over-tighten when clamping or unclamping the winglets.**

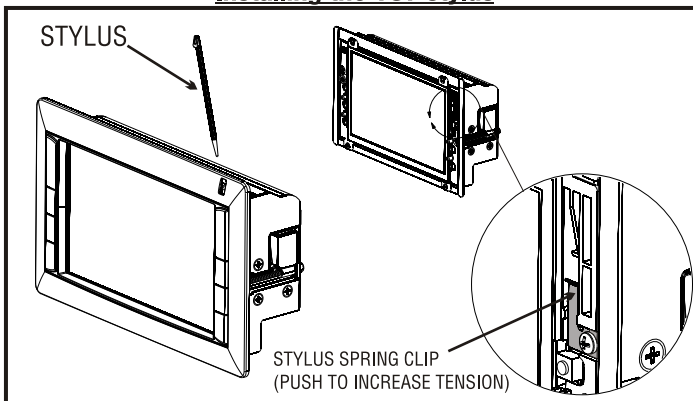
Figure 4

Installing the TS7 front bezel



The TS7 front bezel may be installed by aligning the plastic guide posts as shown above in Figure 4. The bezel will snap over the posts and magnetically attach to the metal bezel surrounding the TS7 unit installed in the wall. It is important to be sure not to bend the metal bezel during installation or the buttons may not function properly. Inspect this prior to front bezel attachment and check for proper button engagement once the bezel has been installed.

Figure 5
Installing the TS7 stylus



The TS7 includes a stylus for operating the panel. Figure 5, above, shows the installation location for the stylus. **CAUTION:** Do not attempt to remove the front bezel after the stylus has been installed or the stylus retention clip may be bent. Always remove the stylus before removing the front bezel for any reason. If the clip becomes bent or you prefer more tension as the stylus is placed into its slot then you may gently push on the clip in the location shown above to make any desired adjustments.

Specifications

TS7:

Overall Dimensions: 8.59" W X 5.46" H X 2.58" D

Weight (w/o packaging): 2.25 lbs.

Panel Cut Out Size: 7.89" W x 4.56" H

Panel Depth: 2.275"

Max. Drywall thickness: 1.25"

Power: +16 VDC/350mA (16 - 18 AWG)

Data Connection: CAT-5 (Ethernet)

Video Signal: NTSC & PAL (software selectable)

Resolution: 800 X 480

Viewing Angles: 65° LEFT/RIGHT; 50° UP; 60° DOWN

Limited Warranty

ELAN HOME SYSTEMS L.L.C. ("ELAN") warrants the TS7 touch panel to be free from defects in materials and workmanship for the period of two years (2 years) from date of purchase. If within the applicable warranty period above purchaser discovers that such item was not as warranted above and promptly notifies ELAN in writing, ELAN shall repair or replace the item at the company's option. This warranty shall not apply (a) to equipment not manufactured by ELAN, (b) to equipment which shall have been installed by other than an ELAN authorized installer, (c) to installed equipment which is not installed to ELAN's specifications, (d) to equipment which shall have been repaired or altered by others than ELAN, (e) to equipment which shall have been subjected to negligence, accident, or damage by circumstances beyond ELAN's control, including, but not limited to, lightning, flood, electrical surge, tornado, earthquake, or other catastrophic events beyond ELAN's control, or to improper operation, maintenance or storage, or to other than normal use of service. With respect to equipment sold by, but not manufactured by ELAN, the warranty obligations of ELAN shall in all respects conform to the warranty actually extended to ELAN by its supplier. The foregoing warranties do not cover reimbursement for labor, transportation, removal, installation or other expenses which may be incurred in connection with repair or replacement.

Except as may be expressly provided and authorized in writing by ELAN, ELAN shall not be subject to any other obligations or liabilities whatsoever with respect to equipment manufactured by ELAN or services rendered by ELAN.

THE FOREGOING WARRANTIES ARE EXCLUSIVE AND IN LIEU OF ALL OTHER EXPRESSED AND IMPLIED WARRANTIES EXCEPT WARRANTIES OF TITLE, INCLUDING BUT NOT LIMITED TO IMPLIED WARRANTIES OF MERCHANTABILITY AND FITNESS FOR A PARTICULAR PURPOSE.

ATTENTION: TO OUR VALUED CONSUMERS

To ensure that consumers obtain quality pre-sale and after-sale support and service, ELAN Home Systems products are sold exclusively through authorized dealers. ELAN products are not sold online. The warranties on ELAN products are NOT VALID if the products have been purchased from an unauthorized dealer or an online E-tailer. To determine if your ELAN reseller is authorized, please call ELAN Home Systems at (859) 269-7760.