



# REFLEX

*High Performance Mountain Bikes*

**proSPORT**

Postfach 1340  
8222 Ruhpolding  
Telefon 0 86 63/90 92  
Fax 0 86 63/7 38

'91





The ACF is a high performance lightweight race bike utilizing the superior characteristics of aluminum and carbon. A revolutionary process laminates carbon to aluminum for unmatched strength and durability, achieving the ultimate in state-of-the-art responsiveness.

## 1991 ACF REFLEX

|                       |  |
|-----------------------|--|
| <b>Frame and Fork</b> | Easton C-9 Carbon. Powder coated with Epoxy Logo.<br>Fork: Tange Oversized Constant Radius; 1.4" Rake. |
| <b>Drive Train</b>    |  |
| Rear Derailuer        | Shimano Deore XT Short Cage  |
| Front Derailuer       | Shimano Deore XT   |
| Shift Levers          | Shimano Deore XT 7 speed 'Rapidfire' w/ 2 finger Cam brake levers                                      |
| Crank Set             | Shimano Deore XT Super Glide: 28-38-48 Round Chain Rings   |
| Bottom Bracket        | Shimano Deore XT   |
| Freewheel             | Shimano Deore XT Hyperglide-7 spd. 12-14-16-18-21-24-28  |
| Chain                 | Shimano Deore XT Hyperglide  |
| Front Hub             | Shimano Deore XT 32 hole w/ quick release  |
| Rear Hub              | Shimano Deore XT Freehub-32 hole w/ quick release  |
| <b>Brakes</b>         |  |
| Front Brake           | Shimano Deore XT low profile   |
| Rear Brake            | Shimano Deore XT low profile   |
| Brake Levers          | Shimano Deore XT 2 finger levers   |
| Brake Cables          | Shimano Deore XT   |
| <b>Seat</b>           |  |
| Seat                  | Vetta Racing Leather   |
| Seat Post             | Shimano Deore XT 330mm   |
| Quick Release         | Shimano Deore XT   |
| <b>Front End</b>      |  |
| Headset               | Shimano Deore XT Oversized 1 1/8"  |
| Stem                  | Answer A-TAC Aluminum—Black with REFLEX logo   |
| Handlebar             | REFLEX Z-Bar 21": 5 degree bend  |
| Grips                 | ODI Attack—Black   |
| <b>Wheels</b>         |  |
| Tires                 | Specialized Ground Control 'S' 26 x 1.95   |
| Spokes                | Sapim: 14 gauge stainless steel  |
| Rims                  | Sun Metal Chinook C-16 Ultra hard dark anodized  |
| <b>Pedals</b>         |  |
| Pedals                | Shimano Deore XT Comp  |
| Toe Clips             | Tioga Power Clip II  |
| Toe Straps            | Tioga Quick Flick II   |





The TWX Limited is our highest performance aluminum bike. By combining our lightweight double-butted tubing with Shimano XT components, we've designed a true 'out of the box' factory racing machine.

## 1991 TWX Limited REFLEX

|                       |  |
|-----------------------|--|
| <b>Frame and Fork</b> | Easton E-9 Double-Butted Aluminum. Hard-coat anodized with Epoxy Logo. Fork: Tange Oversized Constant Radius; 1.4" Rake. |
| <b>Drive Train</b>    |  |
| Rear Derailuer        | Shimano Deore XT Short Cage  |
| Front Derailuer       | Shimano Deore XT   |
| Shift Levers          | Shimano Deore XT 7 speed 'Rapidfire' w/ 2 finger Cam brake levers  |
| Crank Set             | Shimano Deore XT Super Glide: 28-38-48 Round Black chain Rings   |
| Bottom Bracket        | Shimano Deore XT   |
| Freewheel             | Shimano Deore XT Hyperglide-7 spd. 12-14-16-18-21-24-28  |
| Chain                 | Shimano Deore XT Hyperglide  |
| Front Hub             | Shimano Deore XT 32 hole w/ quick release  |
| Rear Hub              | Shimano Deore XT Freehub-32 hole w/ quick release  |
| <b>Brakes</b>         |  |
| Front Brake           | Shimano Deore XT low profile—Black   |
| Rear Brake            | Shimano Deore XT low profile—Black   |
| Brake Levers          | Shimano Deore XT 2 finger Cam levers   |
| Brake Cables          | Shimano Deore XT 2mm/6mm   |
| <b>Seat</b>           |  |
| Seat                  | Vetta Racing Leather   |
| Seat Post             | Shimano Deore XT 330mm   |
| Quick Release         | Shimano Deore XT   |
| <b>Front End</b>      |  |
| Headset               | Shimano Deore XT Oversized 1 1/8"  |
| Stem                  | Answer A-TAC Aluminum—Black with REFLEX logo   |
| Handlebar             | REFLEX Z-Bar 21": 5 degree bend  |
| Grips                 | ODI Attack—Black   |
| <b>Wheels</b>         |  |
| Tires                 | Specialized Ground Control 'S' 26 x 1.95   |
| Spokes                | Sapim: 14 gauge stainless steel  |
| Rims                  | Sun Metal Chinook C-16 Ultra hard dark anodized  |
| <b>Pedals</b>         |  |
| Pedals                | Shimano Deore XT Comp  |
| Toe Clips             | Tioga Power Clip II  |
| Toe Straps            | Tioga Quick Flick II   |





The Carbon DT combines lightweight EASTON aluminum tubing and high strength aluminum/carbon fiber tubing designed to provide quick handling characteristics and precise control.

## 1991 CDT REFLEX

|                       |  |
|-----------------------|--|
| <b>Frame and Fork</b> | Easton E-9 Double Butted Aluminum with C-9 Carbon Down Tube. Hard-coat anodized with Epoxy Logo. Fork: Tange Oversized Constant Radius; 1.4" Rake. |
| <b>Drive Train</b>    |  |
| Rear Derailuer        | Shimano Deore DX Short Cage  |
| Front Derailuer       | Shimano Deore DX   |
| Shift Levers          | Shimano Deore DX 7 speed 'Rapidfire' w/ 2 finger brake levers  |
| Crank Set             | Shimano Deore DX Super Glide: 28-38-48 Round Chain Rings   |
| Bottom Bracket        | Shimano Deore DX   |
| Freewheel             | Shimano Deore DX Hyperglide-7 spd. 12-14-16-18-21-24-28  |
| Chain                 | Shimano Deore DX Hyperglide  |
| Front Hub             | Shimano Deore DX 32 hole w/ quick release  |
| Rear Hub              | Shimano Deore DX Freehub-32 hole w/ quick release  |
| <b>Brakes</b>         |  |
| Front Brake           | Shimano Deore DX low profile   |
| Rear Brake            | Shimano Deore DX low profile   |
| Brake Levers          | Shimano Deore DX 2 finger Cam levers   |
| Brake Cables          | Shimano Deore DX   |
| <b>Seat</b>           |  |
| Seat                  | Vetta Gel Leather  |
| Seat Post             | Kalloy 4130—Black 350mm  |
| Quick Release         | Kalloy with Black Coated Lever   |
| <b>Front End</b>      |  |
| Headset               | Shimano Deore DX Oversized 1 1/8"  |
| Stem                  | Tioga T-Bone Prestige with internal cable routing  |
| Handlebar             | REFLEX Z-Bar 21": 5 degree bend  |
| Grips                 | ODI Attack—Black   |
| <b>Wheels</b>         |  |
| Tires                 | Specialized Ground Control 26 x 1.95   |
| Spokes                | Sapim: 14 gauge stainless steel  |
| Rims                  | Sun Metal Chinook C-16 Ultra hard dark anodized  |
| <b>Pedals</b>         |  |
| Pedals                | Shimano Deore DX Comp  |
| Toe Clips             | Tioga Power Clip II  |
| Toe Straps            | Tioga Quick Flick II   |



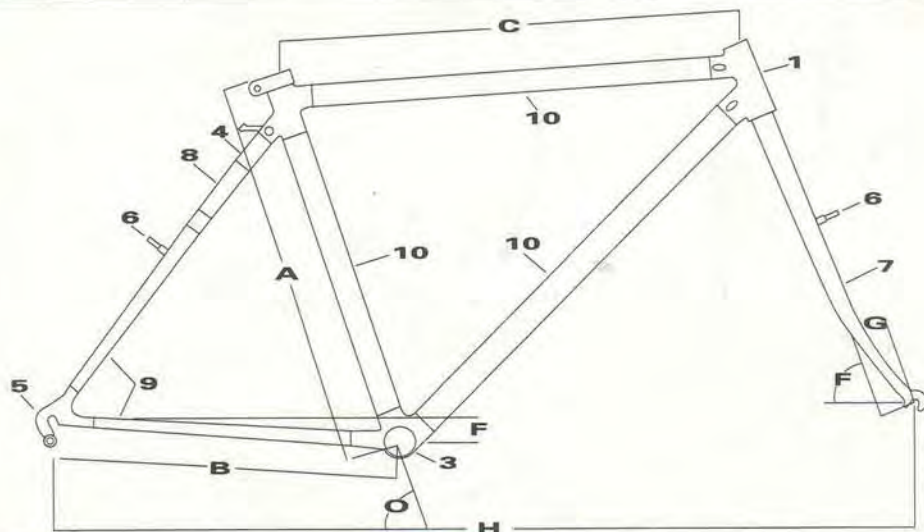


The REFLEX F1 incorporates EASTON E9 anodized double-butted tubing and high visibility graphics. The lightweight handmade F1 is designed race ready for the most challenging courses and is rugged enough for demanding riders who require high performance.

## 1991 F1 REFLEX

|                       |  |
|-----------------------|--|
| <b>Frame and Fork</b> | Easton E-9 Double Butted Aluminum. Hard-coat anodized with Epoxy Logo. Fork: Tange Oversized Constant Radius; 1.4" Rake. |
| <b>Drive Train</b>    |  |
| Rear Derailuer        | Shimano Deore DX Short Cage  |
| Front Derailuer       | Shimano Deore DX   |
| Shift Levers          | Shimano Deore DX 7 speed 'Rapidfire' w/ 2 finger brake levers  |
| Crank Set             | Shimano Deore DX Super Glide: 28-38-48 Round Chain Rings   |
| Bottom Bracket        | Shimano Deore DX   |
| Freewheel             | Shimano Deore DX Hyperglide-7 spd. 12-14-16-18-21-24-28  |
| Chain                 | Shimano Deore DX Hyperglide  |
| Front Hub             | Shimano Deore DX 32 hole w/ quick release  |
| Rear Hub              | Shimano Deore DX Freehub-32 hole w/ quick release  |
| <b>Brakes</b>         |  |
| Front Brake           | Shimano Deore DX low profile   |
| Rear Brake            | Shimano Deore DX low profile   |
| Brake Levers          | Shimano Deore DX 2 finger levers   |
| Brake Cables          | Shimano Deore DX   |
| <b>Seat</b>           |  |
| Seat                  | Vetta Gel leather  |
| Seat Post             | Kalloy 4130—Black 350mm  |
| Quick Release         | Kalloy with Black coated lever   |
| <b>Front End</b>      |  |
| Headset               | Shimano Deore DX Oversized 1 1/8"  |
| Stem                  | Tioga T-Bone Prestige with internal cable routing  |
| Handlebar             | REFLEX Z-Bar 21": 5 degree bend  |
| Grips                 | ODI Attack—Black   |
| <b>Wheels</b>         |  |
| Tires                 | Specialized Ground Control 26 x 1.95   |
| Spokes                | Sapim: 14 gauge stainless steel  |
| Rims                  | Sun Metal Chinook C-16 Ultra hard dark anodized  |
| <b>Pedals</b>         |  |
| Pedals                | Shimano Deore DX Comp  |
| Toe Clips             | Tioga Power Clip II  |
| Toe Strans            | Tioga Quick Flick II   |





- 1 Investment Cast Aluminum Headlug with Internal Cable Guide
- 2 Investment Cast Aluminum Seatlug with 'easy thread' cable exit.
- 3 Investment Cast Aluminum Bottom Bracket with 'easy thread' cable exit
- 4 Investment Cast Aluminum Wishbone
- 5 304 Stainless Steel Dropouts
- 6 Front and Rear Cantilever Brakes
- 7 REFLEX Designed Constant Radius Oversized Fork Blades
- 8 REFLEX Designed Aluminum Monostay Rear Triangle
- 9 EASTON E9 Seamless Aluminum Seat and Chain Stays
- 10 Main Triangle Tubes: EASTON E9 Straight Wall  
EASTON E9 Double Butted  
Easton AC ALU/Carbon Composite

### 1991 REFLEX FRAME GEOMETRY

|   |                     |       |       |       |
|---|---------------------|-------|-------|-------|
| A | FRAME SIZE          | 16.5" | 19"   | 21"   |
| B | CHAIN STAY LENGTH   | 16.9" | 16.9" | 16.9" |
| C | TOP TUBE LENGTH     | 21.3" | 22.5" | 23.3" |
| D | SEAT TUBE ANGLE     | 72°   | 73°   | 73°   |
| E | HEAD TUBE ANGLE     | 70.5° | 70.5° | 70.5° |
| F | BOTTOM BRACKET DROP | 1.4"  | 1.4"  | 1.4"  |
| G | FORK RAKE           | 1.4"  | 1.4"  | 1.4"  |
| H | WHEELBASE           | 41.3" | 42.1" | 42.5" |

### 1991 REFLEX STO FRAME GEOMETRY

|   |                     |        |        |        |        |
|---|---------------------|--------|--------|--------|--------|
| A | FRAME SIZE          | 16"    | 18"    | 20"    | 21"    |
| B | CHAIN STAY LENGTH   | 16.75" | 16.75" | 16.75" | 16.75" |
| C | TOP TUBE LENGTH     | 21.2"  | 21.8"  | 22.5"  | 22.9"  |
| D | SEAT TUBE ANGLE     | 74.5°  | 74°    | 73°    | 72.5°  |
| E | HEAD TUBE ANGLE     | 70°    | 70°    | 70.5°  | 71°    |
| F | BOTTOM BRACKET DROP | 1.5"   | 1.5"   | 1.4"   | 1.4"   |
| G | FORK RAKE           | 1.8"   | 1.8"   | 1.8"   | 1.8"   |
| H | WHEELBASE           | 41.5"  | 41.75" | 42"    | 42.1"  |

### 1991 REFLEX STX FRAME GEOMETRY

|   |                     |       |       |       |       |
|---|---------------------|-------|-------|-------|-------|
| A | FRAME SIZE          | 16"   | 18.5" | 21"   | 22.5" |
| B | CHAIN STAY LENGTH   | 17"   | 17"   | 17"   | 17"   |
| C | TOP TUBE LENGTH     | 21.6" | 21.9" | 22.8" | 23.2" |
| D | SEAT TUBE ANGLE     | 73°   | 73°   | 73°   | 73°   |
| E | HEAD TUBE ANGLE     | 70°   | 70°   | 70°   | 70°   |
| F | BOTTOM BRACKET DROP | 1.5"  | 1.5"  | 1.5"  | 1.5"  |
| G | FORK RAKE           | 1.8"  | 1.8"  | 1.8"  | 1.8"  |
| H | WHEELBASE           | 41.6" | 41.7" | 42.2" | 42.7" |





The TWX is our top of the line all aluminum, double-buttressed, aerospace epoxy bonded frame; optionally equipped with race-ready componentry and extremely durable hard-coat anodized graphics.

## 1991 TWX REFLEX

|                       |  |
|-----------------------|--|
| <b>Frame and Fork</b> | Easton E-9 Double Butted Aluminum. Hard-coat anodized with Epoxy Logo. Fork: Tange Oversized Constant Radius; 1.4" Rake. |
| <b>Drive Train</b>    |  |
| Rear Derailuer        | Shimano Deore LX-Super Long Cage   |
| Front Derailuer       | Shimano Deore LX   |
| Shift Levers          | Shimano Deore LX 7 speed 'Rapidfire' w/ 3 finger brake levers  |
| Crank Set             | Shimano Deore LX Super Glide: 28-38-48 Chain Rings   |
| Bottom Bracket        | Tange- Alloy with bolts  |
| Freewheel             | Shimano Deore LX-Hyperglide-7 spd. 13-15-17-20-23-26-30  |
| Chain                 | Shimano Deore LX/DX Hyperglide   |
| Front Hub             | Shimano Deore LX 32 hole w/ quick release  |
| Rear Hub              | Shimano Deore LX Freehub-32 hole w/ quick release  |
| <b>Brakes</b>         |  |
| Front Brake           | Shimano Deore DX low profile   |
| Rear Brake            | Shimano Deore DX low profile   |
| Brake Levers          | Shimano Deore LX 3 finger levers   |
| Brake Cables          | Shimano Deore LX 2mm/6mm   |
| <b>Seat</b>           |  |
| Seat                  | Vetta Gel with Vetta Skin  |
| Seat Post             | Kalloy 4130—Black 350mm  |
| Quick Release         | Kalloy with Black Coated Lever   |
| <b>Front End</b>      |  |
| Headset               | Tioga Avenger Triple Sealed Oversized 1 1/8"   |
| Stem                  | Tioga T-Bone Prestige with internal cable routing  |
| Handlebar             | REFLEX Z-Bar 21": 5 degree bend  |
| Grips                 | ODI Mountaineer—Black  |
| <b>Wheels</b>         |  |
| Tires                 | Specialized Ground Control Extreme 26 x 1.95   |
| Spokes                | Sapim: 14 gauge stainless steel  |
| Rims                  | Sun Metal Chinook C-16 Polished  |
| <b>Pedals</b>         |  |
| Pedals                | Shimano Deore LX Comp  |
| Toe Clips             | Tioga Power Clip II  |
| Toe Straps            | Tioga Quick Flick II   |





The ALX 6000 gives you the smooth aluminum ride and yet is stiff enough for the most demanding terrain. EASTON's E9 tubing is especially designed to provide unsurpassed power-to-weight efficiency.

## 1991 ALX REFLEX

|                       |   |
|-----------------------|---|
| <b>Frame and Fork</b> | Easton E-9 Straight Gauge Aluminum. Hard-coat anodized with Epoxy Logo. Fork: Tange CroMo Curved; 1.75" Rake. |
| <b>Drive Train</b>    |   |
| Rear Derailuer        | Shimano 500 LX Long Cage  |
| Front Derailuer       | Shimano 500 LX  |
| Shift Levers          | Shimano 500 LX 7 speed 'Rapidfire' w/ 3 finger brake levers   |
| Crank Set             | Shimano 500 LX Super Glide: 28-38-48 Biopace Chain Rings  |
| Bottom Bracket        | Tange - Alloy with bolts  |
| Freewheel             | Shimano 500 LX Hyperglide-7 spd. 13-15-17-20-23-26-30   |
| Chain                 | Shimano 500 LX Hyperglide   |
| Front Hub             | Shimano 500 LX 32 hole w/ quick release   |
| Rear Hub              | Shimano 500LX Freehub-32 hole w/ quick release  |
| <b>Brakes</b>         |   |
| Front Brake           | Shimano 500 LX  |
| Rear Brake            | Shimano 500 LX  |
| Brake Levers          | Shimano 500 LX 3 finger levers  |
| Brake Cables          | Shimano 500 LX 2mm/6mm  |
| <b>Seat</b>           |   |
| Seat                  | Vetta Gel with Vetta Skin   |
| Seat Post             | Kalloy 4130—Black 350mm   |
| Quick Release         | Kalloy with Black Coated Lever  |
| <b>Front End</b>      |   |
| Headset               | Tioga SE-2 Triple sealed 1"   |
| Stem                  | Tioga T-Bone with internal cable routing  |
| Handlebar             | REFLEX Z-Bar 21": 5 degree bend   |
| Grips                 | ODI Mountaineer—Black   |
| <b>Wheels</b>         |   |
| Tires                 | Specialized Ground Control Extreme 26 x 1.95  |
| Spokes                | Sapim: 14 gauge stainless steel   |
| Rims                  | Sun Metal Mistral M-20 Polished   |
| <b>Pedals</b>         |   |
| Pedals                | SR Low Fat  |
| Toe Clips             | Tioga Power Clip II   |
| Toe Straps            | Tioga Quick Flick II  |





The STO is a computer designed frame using high quality oversized Tange Chrome-Moly tubing. The oversized tubing and headset allow the REFLEX STO to tame the toughest of trails and most rugged mountains.

## 1991 STO REFLEX

|                       |  |
|-----------------------|--|
| <b>Frame and Fork</b> | Tange CroMoly Oversized EX-Butted<br>Fork: Unicrown Oversized CroMo with 1 1/4" steer tube |
| <b>Drive Train</b>    |  |
| Rear Derailuer        | Shimano 500 LX Long Cage   |
| Front Derailuer       | Shimano 500 LX   |
| Shift Levers          | Shimano 500 LX 7 speed 'Rapidfire' w/ 3 finger brake levers                                |
| Crank Set             | Shimano 500 LX Super Glide: 24-36-46 Round Chain Rings                                     |
| Bottom Bracket        | Y.S.T. Sealed  |
| Freewheel             | Shimano 500 LX Hyperglide-7 spd. 12-14-16-18-21-24-28                                      |
| Chain                 | Shimano—Black  |
| Front Hub             | Shimano 500 LX 36 hole w/ quick release  |
| Rear Hub              | Shimano 500 LX Freehub-36 hole w/ quick release  |
| <b>Brakes</b>         |  |
| Front Brake           | Shimano 500 LX   |
| Rear Brake            | Shimano 500 LX   |
| Brake Levers          | Shimano 500 LX 3 finger levers   |
| Brake Cables          | Shimano 500 LX   |
| <b>Seat</b>           |  |
| Seat                  | Avocet Racing Vinyl  |
| Seat Post             | Kalloy 350mm   |
| Quick Release         | Kalloy with Coated Lever   |
| <b>Front End</b>      |  |
| Headset               | Y.S.T. Oversized Chrome 1 1/4" Plated  |
| Stem                  | CroMo Oversized 135mm  |
| Handlebar             | Alloy 580mm 6 degree bend  |
| Grips                 | Kraton   |
| <b>Wheels</b>         |  |
| Tires                 | Kenda K-100 26 x 2.1   |
| Spokes                | 14 gauge stainless steel   |
| Rims                  | Arraya VP-20 Silver 36 hole  |
| <b>Pedals</b>         |  |
| Pedals                | Wellgo Alloy with steel cage   |
| Toe Clips             | Included   |
| Toe Straps            | Included   |





The STX is the best of the entry level bikes. We've combined our computer designed, high strength Chrome-Moly frame with Shimano's Rapid Fire 400 LX Group. The STX delivers on and off road performance at an affordable price.

## 1991 STX REFLEX

|                       |  |
|-----------------------|--|
| <b>Frame and Fork</b> | CroMoly Oversized EX-Butted<br>Fork: Unicrown Oversized CroMo with 1" steer tube |
| <b>Drive Train</b>    |  |
| Rear Derailuer        | Shimano 400 LX Long Cage   |
| Front Derailuer       | Shimano 400 LX   |
| Shift Levers          | Shimano 400 LX 7 speed 'Rapidfire' w/ 3 finger brake levers                      |
| Crank Set             | Shimano 400 LX Super Glide: 28-38-48 Biopace Chain Rings                         |
| Bottom Bracket        | Y.S.T. Sealed  |
| Freewheel             | Shimano 400 LX Hyperglide-7 spd. 13-15-17-20-23-26-30                            |
| Chain                 | Shimano—Black  |
| Front Hub             | Shimano 400 LX 36 hole w/ quick release  |
| Rear Hub              | Shimano 400 LX Freehub-36 hole   |
| <b>Brakes</b>         |  |
| Front Brake           | Shimano 400 LX   |
| Rear Brake            | Shimano 400 LX   |
| Brake Levers          | Shimano 400 LX 3 finger levers   |
| Brake Cables          | Shimano 400 LX   |
| <b>Seat</b>           |  |
| Seat                  | Avocet Racing Vinyl  |
| Seat Post             | Kalloy 350mm   |
| Quick Release         | Kalloy with Coated Lever   |
| <b>Front End</b>      |  |
| Headset               | Y.S.T. Chrome Plated   |
| Stem                  | CroMo Oversized 135mm  |
| Handlebar             | Alloy 580mm 6 degree bend  |
| Grips                 | Kraton   |
| <b>Wheels</b>         |  |
| Tires                 | Kenda K-100 26 x 2.1   |
| Spokes                | 14 gauge stainless steel   |
| Rims                  | Arraya VP-20 Silver 36 hole  |
| <b>Pedals</b>         |  |
| Pedals                | Wellgo Alloy with steel cage   |
| Toe Clips             | Included   |
| Toe Straps            | Included   |