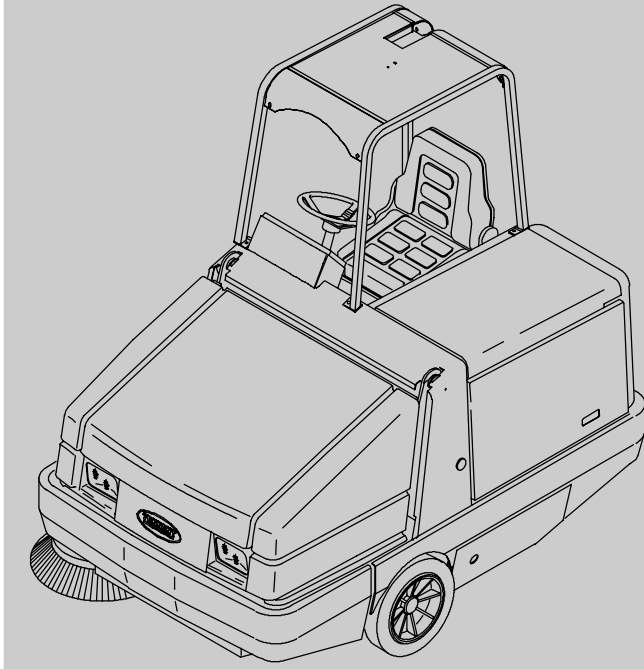
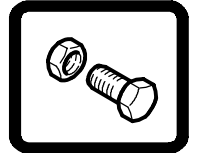




6550

(Electric)

Sweeper Parts Manual



North America / International

www.tennantco.com

330350
Rev. 09 (05-2007)



-When ordering replacement parts, use the illustrated parts list section in this manual. Before ordering parts or supplies, be sure to have your machine model number and serial number available. Only use TENNANT Company supplied or equivalent parts. Parts and supplies may be ordered online, by phone, or mail from any authorized parts and service center, distributor or from any of the manufacturer's subsidiaries.

This machine will provide excellent service. However, the best results will be obtained at minimum costs if:

- The machine is operated with reasonable care.
- The machine is maintained regularly - per the machine maintenance instructions provided.
- The machine is maintained with manufacturer supplied or equivalent parts.

MACHINE DATA	
Please fill out at time of installation for future reference.	
Model No. -	_____
Serial No. -	_____
Machine Options -	_____
Sales Rep. -	_____
Sales Rep. phone no. -	_____
Customer Number -	_____
Installation Date -	_____

Tennant Company
PO Box 1452
Minneapolis, MN 55440
Phone: (800) 553-8033 or (763) 513-2850
www.tennantco.com

Thermo-Sentry, Perma-Filter, and VCS are US registered trademarks of Tennant Company.

Specifications and parts are subject to change without notice.

Copyright © 2006, 2007 TENNANT Company, Printed in U.S.A.

HOW TO USE THIS MANUAL

This section on *HOW TO USE THIS MANUAL* will tell you how to:

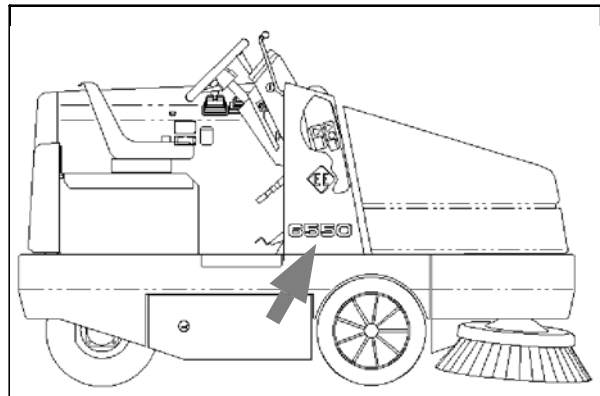
- Find important machine information for ordering correct repair parts.
- Find TENNANT part numbers.
- Order TENNANT parts and supplies.

IMPORTANT INFORMATION

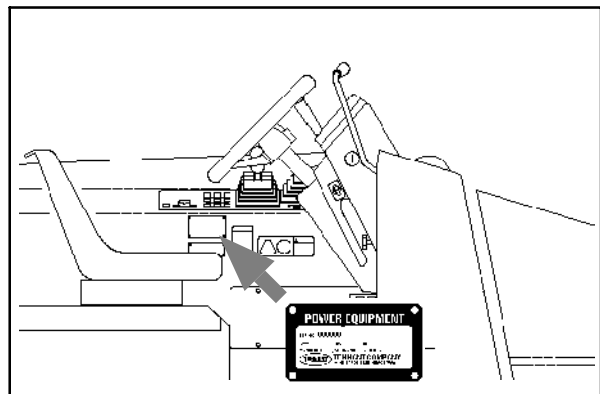
When placing an order for parts, the machine model and machine serial number are important. Refer to the *MACHINE DATA* box which is filled out during the installation of your machine. The *MACHINE DATA* box is located on the inside of the front cover of this manual.

MACHINE DATA	
<i>Please fill out at time of installation for future reference.</i>	
Machine Model Number -	355E
Machine Serial Number -	_____
Machine Options -	_____
TENNANT Representative/phone no. -	_____
Customer ID Number -	_____
Date of Installation -	_____
Manual Number -	MM306
Revision:	00
Published:	12-92

The model number of your machine is on the side of the machine.



The serial number of your machine is printed on the machine data plate located as shown.



HOW TO USE THIS MANUAL

FINDING A TENNANT PART NUMBER

This manual contains the following sections:

- HOW TO USE THIS MANUAL
- STANDARD PARTS
- OPTIONS
- BREAKDOWNS
- CROSS REFERENCE

The STANDARD PARTS section lists repair parts for standard machines. They are grouped in this general order:

- General wear parts.
- Machine frame and related parts.
- Machine propelling system.
- Electrical parts.

The OPTION section lists repair parts of options.

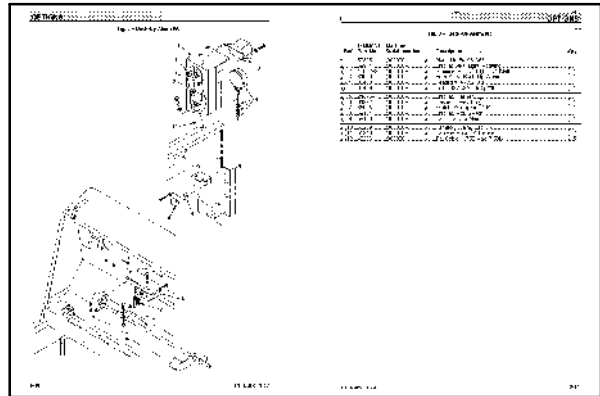
The BREAKDOWN section lists available repair parts of major components.

All sections in this manual consist of parts illustrations and corresponding parts lists.

The parts illustrations are numbered with **Ref** numbers which refer to corresponding parts lists.

The parts lists include a number of columns of information:

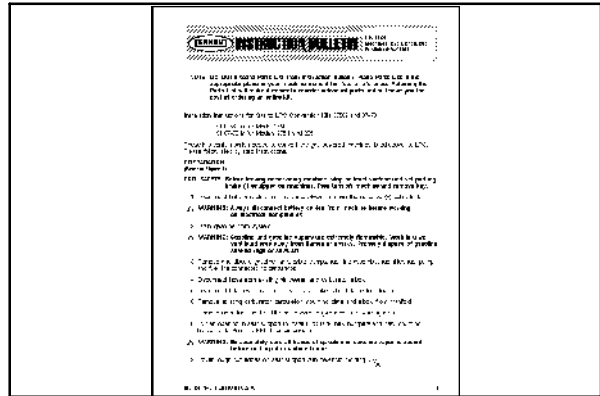
- **Ref** - column refers to the reference number on the parts illustration.
- ∇ - indicates the part is an assembly.
- ▲ - indicates the part is included in the assembly listed just before it.
- **Part No.** - column lists the TENNANT part number for the part.
- **Serial Number** - column indicates the set of machines the part number is applicable to. Serial numbers change when the machine design has been modified. The most current design of the machine is shown in the main illustration, older designs are boxed in a corner of the illustration.
- **Description** - column is a brief description of the part.
- **Qty.** - column lists the quantity of that part used in that area of the machine.



Ref.	TENNANT Part No.	Machine Serial number	Description	Qty.
∇	59335	QC0000-	Alarm Kit, Bu Alv 355L	1
▲ 1	59944	QC0000-	Bracket W/d. Jght, Rotating	1
▲ 2	10632-9	QC0000-	Grommet,Rctr,0.66ld,For .13Matl	1
▲ 3	61920	QC0000-	Horn Assy, Back-Up Alarm	1
▲ 4	36438	QC0000-	Headlight Assy,21CG	1
▲ 4	36439	QC0000-	Fault, 12V 34A- 1RCS#1004	1
▲ E	24675-	JLUUUU-	Bracket, Flasher	1
▲ E	31922	JLUUUU-	Flasher, Heavy Duty	1
▲ 7	35815	JLUUUU-	Switch, Waterproof, 10A	1
▲ E	59154	QC0000-	Bracket, Mfg. Switch	1
▲ E	59153	QC0000-	Carr. Back-Up Alarm	1
▲ 10	60239	QC0000-	Harness, Alarm, Back-Up	1
▲ 11	55246	QC0000-	Cabletie Mount, Adhesive	2
▲ 12	49256	QC0000-	Tie, Cable .75D Max 7.50Lg	5

NOTE: If a service kit is installed on your machine, be sure to keep the INSTRUCTION BULLETIN which came with the kit. It contains repair parts numbers needed for ordering future parts.

NOTE: Fasteners used in this machine may be metric or non-metric. Take care when replacing hardware to replace with same thread size.



PLACING AN ORDER

Orders may be placed by phone, fax, or by mail. Phone orders may need written confirmation. Follow the steps below to insure prompt delivery:

1. Identify the model number of your machine.
2. Identify the serial number of your machine.
3. Find the part number of the part you need. Do not order by page number or reference number. If you are not able to find the part number, call your TENNANT representative for help or send the old part as a sample.
4. Determine the quantity of the part you need.
5. Provide the following company information:
 - Company name
 - Customer ID Number
 - Shipping address
 - Billing address
 - First and last name of person ordering parts
 - Telephone number
 - Purchase order number
6. Provide definitive shipping instructions.

HOW TO USE THIS MANUAL

Any claim for loss or damage to a shipment in transit should be filed promptly with the transportation company making the delivery. Shipments will be complete unless the packing list or order acknowledgement indicates items back ordered.

If parts received are suspected to be incorrect or defective, please contact the TENNANT representative from whom you ordered the part. They will give authorization for return and/or handle replacement shipments when required.

SECTION 2

Contents	Page
Fig. 1 - General Recommended Maintenance Items	2-2
Fig. 2 - Brushes, Replacement	2-4
Fig. 3 - Main Frame Group	2-6
Fig. 4 - Brush Door Group, Right	2-8
Fig. 5 - Brush Door Group, Left	2-9
Fig. 6 - Seat and Shroud Group	2-10
Fig. 7 - Grille Group, Right	2-12
Fig. 8 - Grille Group, Left	2-14
Fig. 9 - Battery Cover Group	2-16
Fig. 10 - Battery Side Door Group	2-18
Fig. 11 - Overhead Guard Group	2-20
Fig. 12 - Steering and Firewall Group	2-22
Fig. 13 - Instrument Panel Assembly	2-24
Fig. 14 - Instrument Panel Group, Side	2-26
Fig. 15 - Steering Cylinder Group	2-28
Fig. 16 - Wheel Group, Rear Drive	2-30
Fig. 17 - Wheel and Brakes Group, Front	2-32
Fig. 18 - Brake Lever and Pedal Group	2-34
Fig. 19 - Directional Pedal Group	2-36
Fig. 20 - Hopper Group	2-38
Fig. 21 - Hopper Dump Door Group	2-40
Fig. 22 - Hopper Cylinder and Dust Door Group	2-42
Fig. 23 - Hopper Hood and Bumper Group	2-44
Fig. 24 - Filter Box Group	2-46
Fig. 25 - Hopper Lift Arms Group	2-48
Fig. 26 - Side Brush Motor and Pivot Group	2-50
Fig. 27 - Side Brush Lift Group	2-52
Fig. 28 - Main Brush Lift Group	2-54
Fig. 29 - Main Brush Drive Group	2-56
Fig. 30 - Vacuum Fan Impeller Group	2-58
Fig. 31 - Vacuum Fan Drive Group	2-60
Fig. 32 - Hydraulic Schematic	2-62
Fig. 33 - Hydraulic Hose Group	2-64
Fig. 34 - Hydraulic Reservoir Group	2-66
Fig. 35 - Hydraulic Valve Group	2-68
Fig. 36 - Hydraulic Pump and Motor Group	2-70
Fig. 37 - Pressure Switch and Horn Group	2-71
Fig. 38 - Back-Up Alarm Group, LRC	2-72
Fig. 39 - Control Box Cable Group	2-74
Fig. 40 - Control Box Contactor Group	2-76
Fig. 41 - Electrical Schematic	2-78
Fig. 42 - Wire Harnesses Group	2-81
Fig. 43 - Label Group	2-85

Fig. 1 - General Recommended Maintenance Items

Ref.	Part No.	Serial Number	Description	Qty.
▽	72066	(000000-) Maint,Kit, Shaker Filter, 355L	1
▲	79425	(000000-) Seal, Bulb 140.0 Lg	1
▽	72067	(000000-) Maint Kit, Skirts 355L	1
▲	59687	(000000-) Seal, Door, Dump, Side	2
▲	59688	(000000-) Strap, Door, Dump, Side	2
▲	09007	(000000-) Scr Hexssm 6X1.0 25	8
▲	01684	(000000-) Washer Flt .25 Ss	16
▲	08712	(000000-) Nut-Hxlocnyln M 6X1.0 Reg Ss	8
▲	55864	(000000-) Cord, Sponge	1
▲	59685	(000000-) Seal, Door, Dump	1
▲	59686	(000000-) Strap, Door, Dump	1
▲	09007	(000000-) Scr Hexssm 6X1.0 25	6
▲	01684	(000000-) Washer Flt .25 Ss	12
▲	08712	(000000-) Nut-Hxlocnyln M 6X1.0 Reg Ss	6
▽	72068	(000000-) Maint Kit, Seals 355L	1
▲	59680	(000000-) Skirt, Lip	1
▲	59681	(000000-) Skirt, Lip	1
▲	55890	(000000-) Strap, Main Lip	1
▲	09010	(000000-) Scr Hexssm 8X1.25 25	5
▲	01685	(000000-) Washer Flt .31 Ss	5
▲	08713	(000000-) Nut-Hxlocnyln M 8X1.25 Reg Ss	5
▲	54089	(000000-) Skirt, Side, Sbdc, Lh	1
▲	54013	(000000-) Plate, Retainer, Lh	1
▲	54014	(000000-) Plate, Retainer, Front, Lh	1
▲	12459	(000000-) Scr-Hxfmgm 6X1.0 20 Pltd	6
▲	01684	(000000-) Washer Flt .25 Ss	6
▽	398334	(000000-) Kit, Maint, 800hr [6550 E]	1
▲	59687	(000000-) Seal	2
▲	59685	(000000-) Seal	1
▲	59680	(000000-) Skirt, Lip	1
▲	59681	(000000-) Skirt, Lip	1
▲	379751	(000000-) Skirt, Brush Door	1
▲	379750	(000000-) Skirt, Brush Door	1
▲	54089	(000000-) Skirt	1
▲	54190	(000000-) Skirt, Deflector	1
▲	58103	(000000-) Seal, Door, Dump, Hppr, Rear	1
▲	59105	(000000-) Seal, Door, Dump, Hppr, Rear	1
▲	55884	(000000-) Retainer, Seal, Hppr, .12 X 1.8 X 40.3l	1
▲	379629	(000000-) Kit, Fltr, Fine Particle	1
▲	12540	(000000-) Bolt	1
▲	87750	(000000-) Nut, Wheel, M14-1.5	1
▲	87866	(000000-) Key, Switch, Set Of Two	1
▲	55740	(000000-) Filter, Oil, Hyd	1
▲	61490	(000000-) Kit, Replmt, Seal	1
▲	59335	(000000-) Kit, Seal, Hyd	1

Fig. 1 - General Recommended Maintenance Items

Ref.	Part No.	Serial Number	Description	Qty.
▲	04483	(000000-) Kit, Seal, Hyd	1
▲	79812	(000000-) Kit, Seal, Hyd, Valve	1
▲	363491	(000000-) Kit, Brush, Propelling Motor	1
▲	48758	(000000-) Bearing	1
▲	48756	(000000-) Brush	1
▲	48755	(000000-) Spring, Brush	4

Fig. 2 - Brushes, Replacement

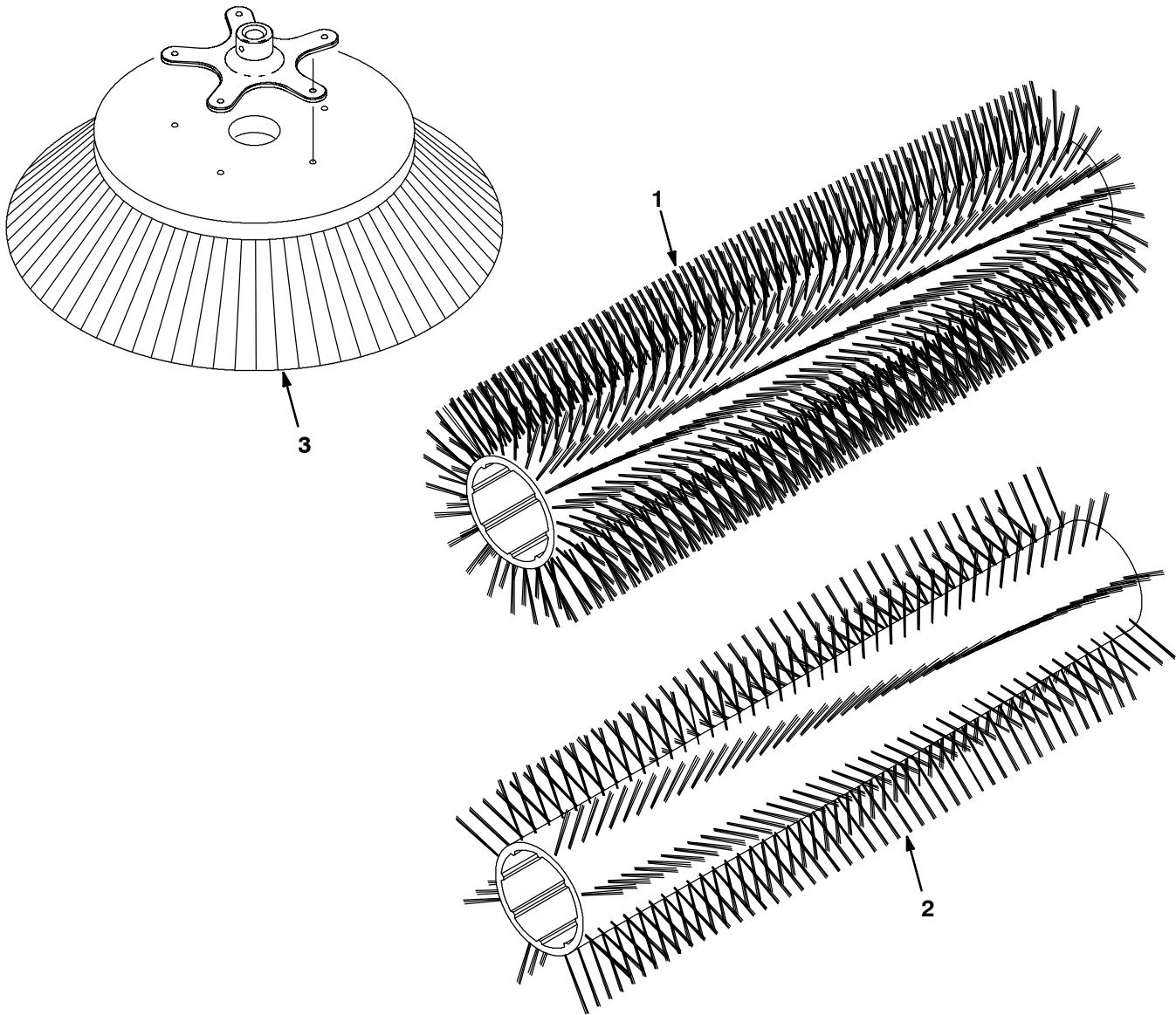


Fig. 2 - Brushes, Replacement

Ref.	Part No.	Serial Number	Description	Qty.
1	54927	(000000-) Brush-Sweep Spl, Fiber/Wire	1
1	54922	(000000-) Brush-Sweep Spl, Soft Nylon	1
2	54923	(000000-) Brush-Sweep Spl, Soft Nylon	1
2	54925	(000000-) Brush-Sweep Spl, Polypropylene/Wire	1
2	59440	(000000-) Brush-Sweep Spl, Wire	1
2	66019	(000000-) Brush-Sweep Spl, Polypropylene	1
2	66018	(000000-) Brush-Sweep Spl, Soft Nylon	1
2	370008	(000000-) Brush-Sweep Spl, Wedge, Polypropylene	1
2	370009	(000000-) Brush-Sweep Spl, Windrow, Polypropylene	1
3	51021N	(000000-) Brush-Side Swp, Soft Nylon	1
3	51542	(000000-) Brush-Side Swp, Flatwire	1
3	70538	(000000-) Brush-Side Swp, Polypropylene	1

Fig. 3 - Main Frame Group

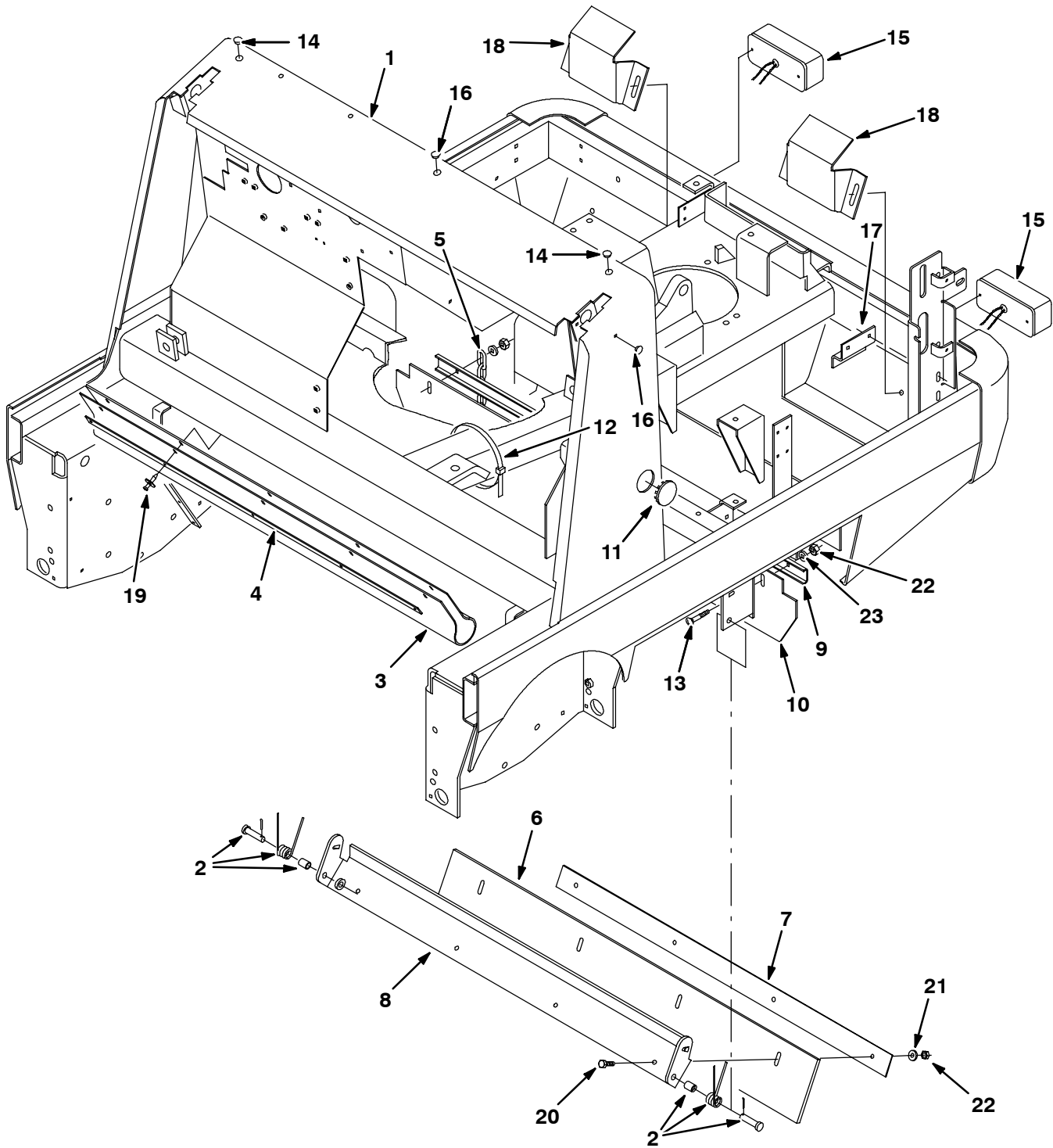
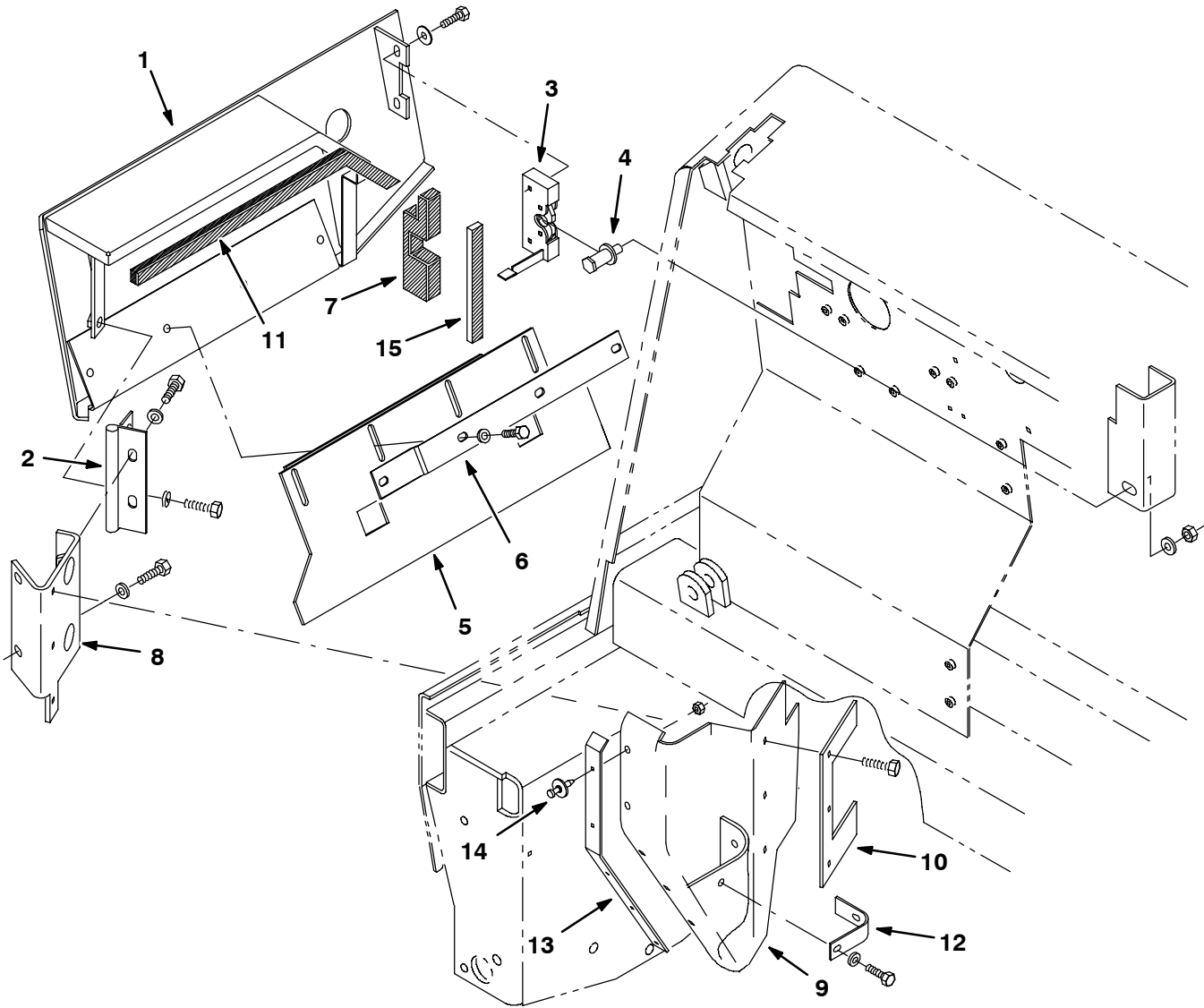


Fig. 3 - Main Frame Group

Ref.	Part No.	Serial Number	Description	Qty.
1	379572	(000000-) Frame Wldt, Main 6550E	1
2	69904	(000000-) Spring Assy, Recirculation	1
3	379752	(000000-) Skirt, Hppr Top	1
4	56890	(000000-) Strap, Backing, Hopper	1
5	09342	(000000-) Chain, Link#2/0, 5Links Plain (Standard)	1
5	71578	(000000-) Strap, Static, (EE)	1
6	54190	(000000-) Blade, Deflector	1
6	374517	(000000-) Skirt, Recirculation, Turf (Option)	1
7	54184	(000000-) Strip, Retainer, Seal	1
8	54182	(000000-) Bracket, Flap, Recirculation	1
9	54192	(000000-) Channel, Retainer, Seal, Rear	1
10	54197	(000000-) Skirt, Seal, M Br	1
11	82747	(000000-) Plugbtn 2.09H .05-.06 Blackstl	1
12	222809	(000000-) Cable, 9" Bundle Dia.	3
13	69915	(000000-) Bolt-Carrm 8X1.25 40 4.6 Pltd	4
14	57167	(000000-) Plugbtn .62H .03-.12 Blacknyl	2
▽	15	71535	(000000-) Taillight Assy	2
▲		45780	(000000-) Bulb, 12V .5A 4Cp#1157	1
16	01314	(000000-) Plugbtn .38H .03-.12 Blacknyl	3
17	72168	(000000-) Bracket, Battery	1
18	72169	(000000-) Bracket, Battery	2
19	21246	(000000-) Rivet, Plastic .325D X .787	5
20	09011	(000000-) Screw, Hex, M08-1.25 X 30, Ss	4
21	01684	(000000-) Washer, Flat, .25 Ss	4
22	08713	(000000-) Nut, Hex, Lock, M08-1.25,NI,Ss	8
23	01685	(000000-) Washer, Flat, .31 Ss	4

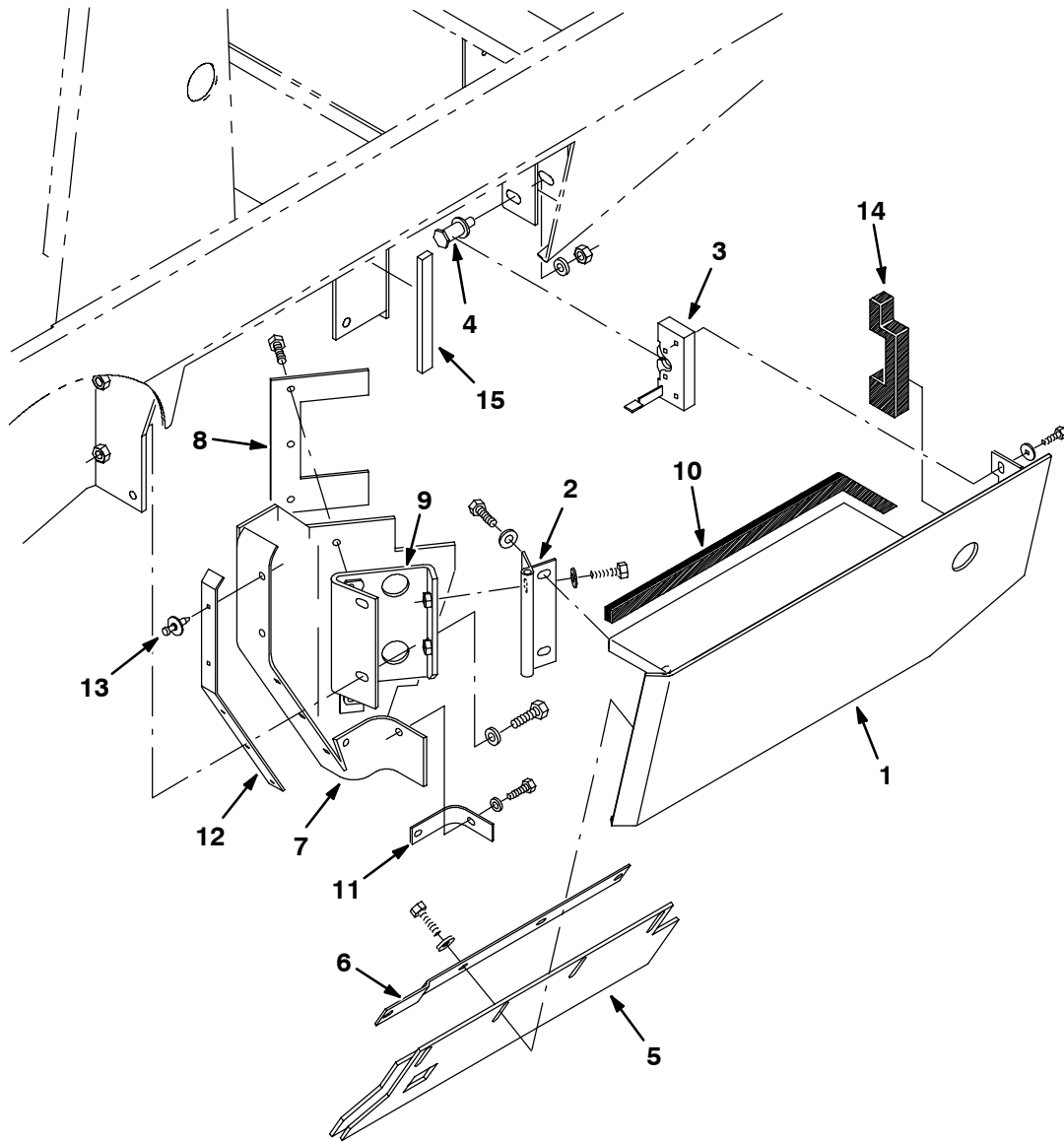
Fig. 4 - Brush Door Group, Right



351713 - 6550E

Ref.	Part No.	Serial Number	Description	Qty.
1	59761	(000000-) Door Wldt, Brush, Rh	1
2	72120	(000000-) Hinge, Door, Brush	1
3	59195	(000000-) Latch, Hook, Rh	1
4	59192	(000000-) Latch, Bolt	1
5	379751	(000000-) Skirt Assy, Brush Door, Rh	1
6	379756	(000000-) Strip, Retainer, Skirt	1
7	59537	(000000-) Seal, Door, Brush, Rh	1
8	1019481	(000000-) Bracket, Mtg, Hinge, Rh, [6600]	1
9	379755	(000000-) Skirt, Deflector	1
10	59692	(000000-) Strap, Deflector	1
11	69931	(000000-) Seal, Foam Rbr	1
12	58770	(000000-) Strip, Retainer	1
13	56914	(000000-) Strap	1
14	72968	(000000-) Rivet, Plastic .250x.898	5
15	13301	(000000-) Seal, Rbr, .31 x .75 x 7.0	1

Fig. 5 - Brush Door Group, Left



351715 - 6550E

Ref.	Part No.	Serial Number	Description	Qty.
1	59760	(000000-) Door Wldt, Brush, Lh	1
2	72120	(000000-) Hinge, Door, Brush	1
3	59194	(000000-) Latch, Hook, Lh	1
4	59192	(000000-) Latch, Bolt	1
5	379750	(000000-) Skirt Assy, Brush Door, Lh	1
6	379756	(000000-) Strip, Retainer, Skirt	1
7	379755	(000000-) Skirt, Deflector	1
8	59692	(000000-) Strap, Deflector	1
9	1020530	(000000-) Brachet, Mtg, Hinge, Lh, [6600]	1
10	69931	(000000-) Seal, Foam Rbr	1
11	58770	(000000-) Strip, Retainer	1
12	56914	(000000-) Strap	1
13	72968	(000000-) Rivet, Plastic .250x.898	5
14	59538	(000000-) Seal, Door, Brush, Lh	1
15	13301	(000000-) Seal, Rbr, .31 x .75 x 7.0	1

Fig. 6 - Seat and Shroud Group

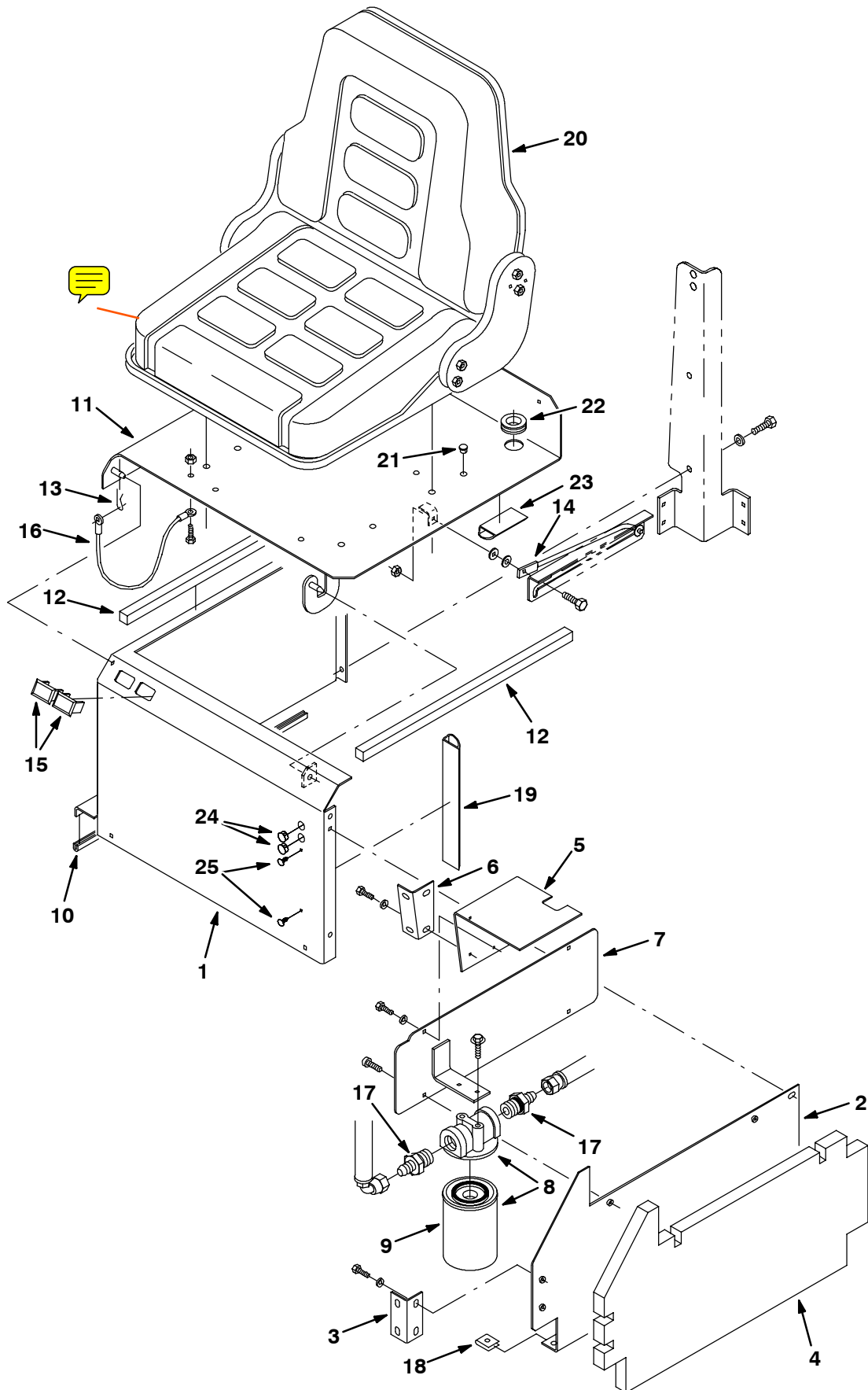


Fig. 6 - Seat and Shroud Group

Ref.	Part No.	Serial Number	Description	Qty.	
1	58297	(000000-) Panel Wldt, Sppt, Seat	1	
2	54030	(000000-) Panel, Inside	1	
3	59771	(000000-) Bracket	1	
4	53494	(000000-) Insulation, Acoustic, Panel	1	
5	383227	(000000-) Panel, Filler, Upper	1	
6	59766	(000000-) Bracket, Inside	1	
7	59931	(000000-) Plate Wldt, Side	1	
▽	8	55619	(000000-) Filter Assy, Spin-On 10Micron	1
▲	9	55740	(000000-) Filter Element Ph	1
10	62595-23	(000000-) Molding, Trim 11-14Ga 22.80	1	
11	53839	(000000-) Cover Wldt, Sppt, Seat	1	
12	71549	(000000-) Seal	2	
13	44906	(000000-) Pin, Hair Cotter .437D .092Wire	1	
14	54615	(000000-) Rod Wldt, Seat	1	
15	57772	(000000-) Plate-Cover	2	
16	57702	(000000-) Cable, Door, Access	1	
17	42227	(000000-) Ftg-Hyd Str Jm08/Om12	2	
18	58595	(000000-) Nut, U M 8X1.25 Pltd	1	
19	86330	(000000-) Duct, Vinyl .40X .75X10.0 .25D	1	
▽	20	69968	(000000-) Seat	1
▲	69971	(000000-) Switch	1	
21	33807	(000000-) Plugbutton	2	
22	10632-8	(000000-) Grommet,Rbr,0.75ld,For .13Matl	1	
23	86333	(000000-) Duct, Vinyl .40X .75X 3.5 .25D	1	
24	56992	(000000-) Button, Plug, 0.50h .03-.12 [Black Nyl]	2	
25	77399	(000000-) Clip, [Pine-Tree], .236h, Plstc	2	

Fig. 7 - Grille Group, Right

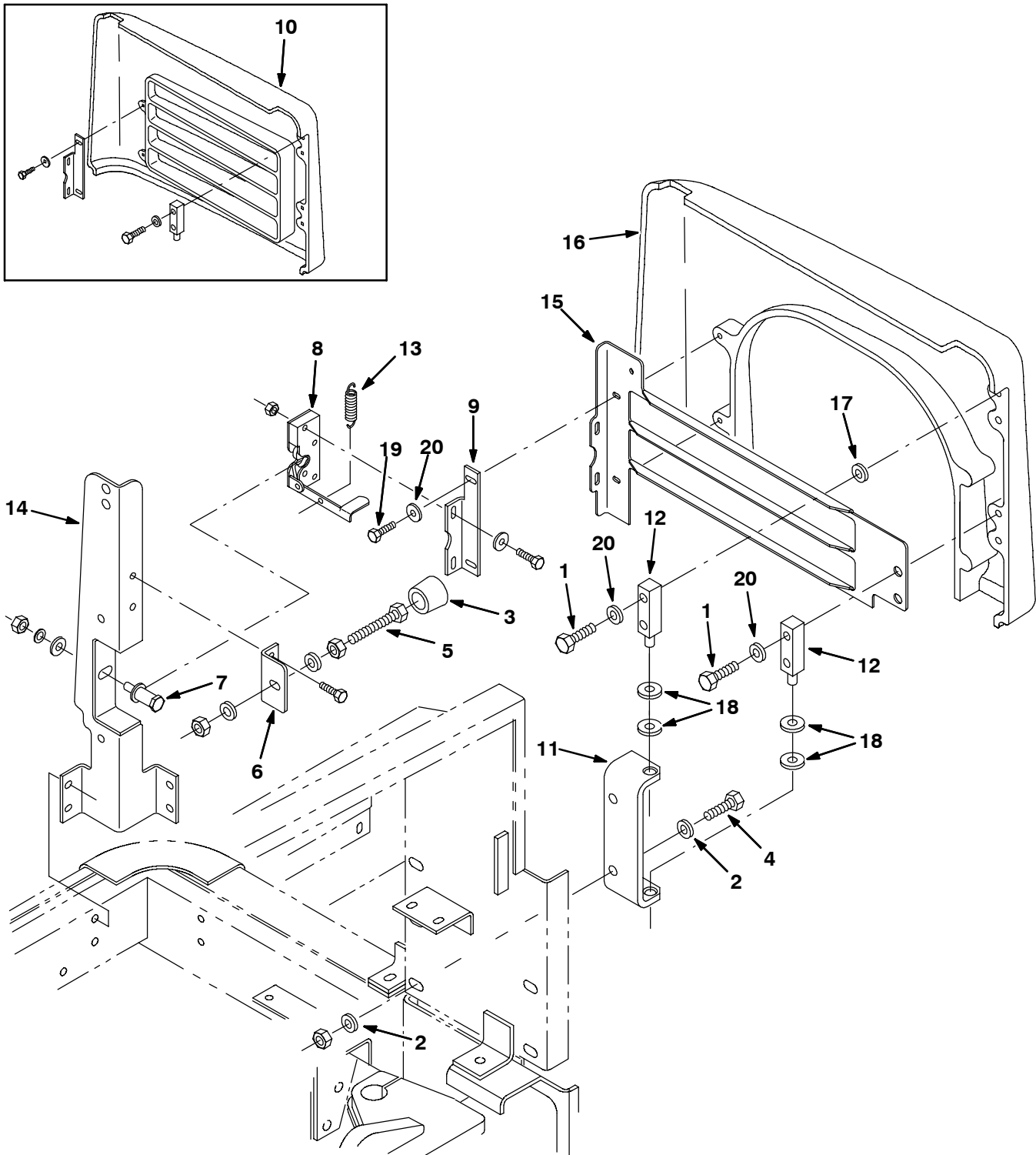


Fig. 7 - Grille Group, Right

Ref.	Part No.	Serial Number	Description	Qty.
1	69972	(000000-) Scr-Hex M12x1.75 40 10.9Pltd	4
2	36328	(000000-) Washer-Belleville .50 Pltd	4
3	01318	(000000-) Tip, Rubber	1
4	06969	(000000-) Screw, Hex, M12 X 1.75 X 40, 8.8	2
5	45214	(000000-) Scr-Hex .38-16x2.50 Full Thd	1
6	70249	(000000-) Bracket, Stop Bolt, Rear Grill	1
7	59192	(000000-) Latch, Bolt	1
8	72473	(000000-) Latch, Hook, RH	1
9	74456	(000000-) Bracket, Mtg. Latch	1
10	379564	(000000-009177) Grille, Rh (Replaced by 377045)	1
11	72179	(000000-009177) Bracket, Pin, Pivot, Rh	1
11	1008120	(009178-) Bracket, Grill [6600/6650]	1
12	72176	(000000-) Pin, Pivot	2
13	59870	(000000-) Sprng, Tens, 0.50 Odx.05 Wire 2.5L	1
14	70256	(000000-) Channel Wldt, Corner Post	1
15	1006558	(009178-) Grill, Filler, Door, Rh	1
16	379871	(009178-) Grille, Door, Lpg	1
17	32493	(000000-) Washer, Flat, 0.50 Std	2
18	32486	(000000-) Washer, Flat, 0.50 Sae	6
19	11635	(000000-) Screw, Hex, M6 X 1.0 X 12, Ss, NI	2
20	32490	(000000-) Washer, Flat, 0.25 Std	6

Fig. 8 - Grille Group, Left

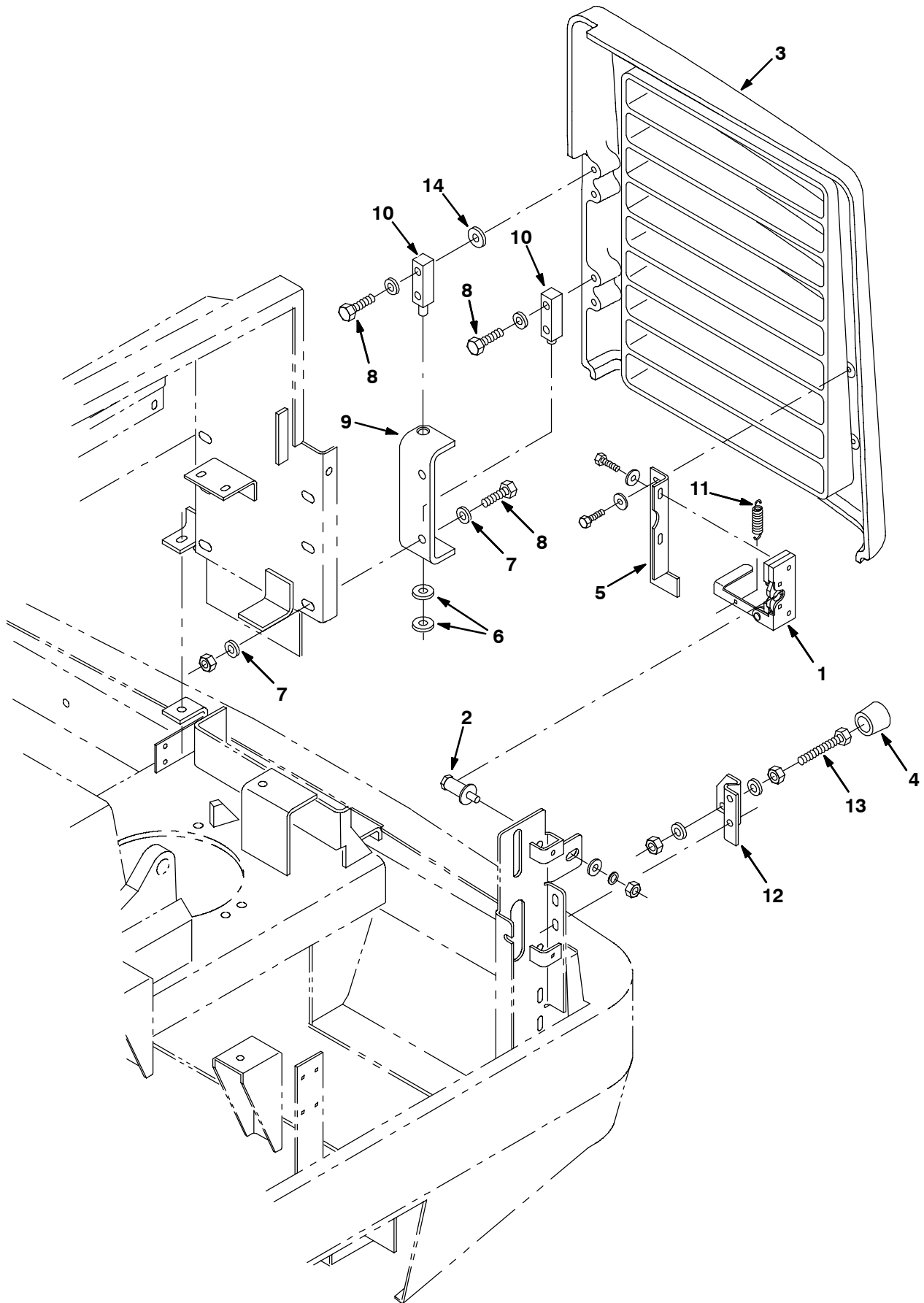


Fig. 8 - Grille Group, Left

Ref.	Part No.	Serial Number	Description	Qty.
1	59695	(000000-) Latch, Hook, Lh	1
2	59192	(000000-) Latch, Bolt	1
3	379565	(000000-) Grille, Fiberglass, Lh	1
4	01318	(003088-) Tip, Rubber	1
5	70252	(000000-) Bracket, Mtg, Latch	1
6	32493	(000000-) Washer, Flat, .50 Std	2
7	36328	(000000-) Washer-Belleville .50 Pltd	4
8	06969	(000000-) Screw, Hex, M12 X 1.75 X 40, 8.8	6
9	1008120	(000000-) Bracket, Grill [6600/6650]	1
10	72176	(000000-) Pin, Pivot, Upper	2
11	59870	(000000-) Sprng, Tens, 0.50 Odx.05 Wire 2.5L	1
12	70248	(000000-) Bracket, Rear Grill Stop Bolt	1
13	55347	(000000-) Scr-Hex .38-16x2.00 Full Thd	1
14	32486	(000000-) Washer, Flat, 0.50 Sae	2

Fig. 9 - Battery Cover Group

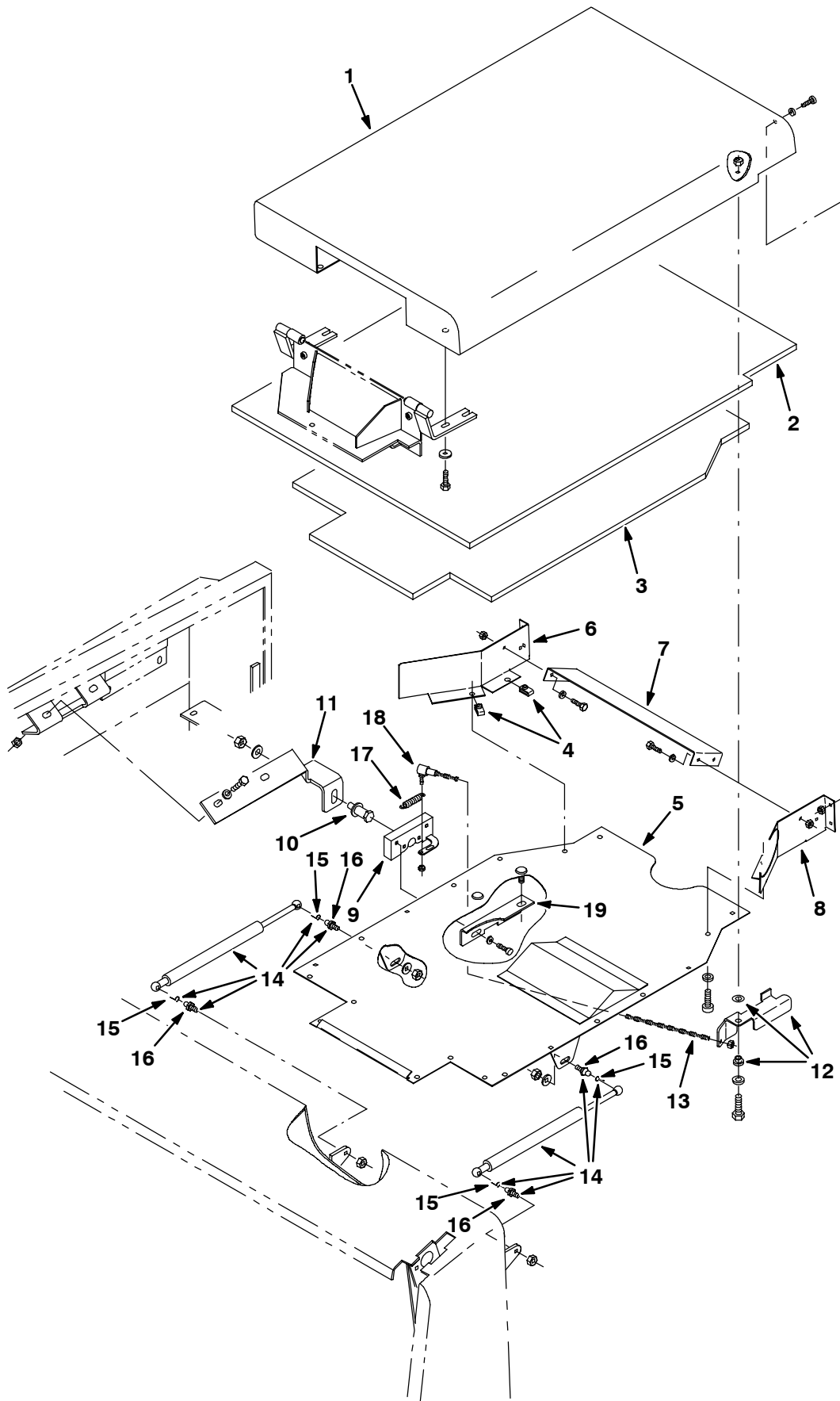


Fig. 9 - Battery Cover Group

Ref.	Part No.	Serial Number	Description	Qty.	
1	58977	(000000-) Cover Wldt, Engine	1	
2	59019	(000000-) Foam, Engine Cover	1	
3	58999	(000000-) Insulation, Acoustic, Engine	1	
4	12271	(000000-) Nut, U M 6X1.0 Pltd	20	
5	374523	(000000-) Plate Wldt, Cover, Bottom	1	
6	69952	(000000-) Plate, Cover, Engine, Blowr,Rh	1	
7	58849	(000000-) Bracket, Deflector, Eng Cover	1	
8	69951	(000000-) Plate, Cover, Engine, Blowr,Lh	1	
9	59514	(000000-) Latch	1	
10	59192	(000000-) Latch, Bolt	1	
11	70136	(000000-) Bracket, Latch, Eng Cover	1	
12	69907	(000000-) Handle Assy, Latch, Eng Cover	1	
13	55048	(000000-) Rod, Latch, Engine Cover	1	
▽	14	69906	(000000-) Spring-Gas Assy, Eng Cover	2
▲	15	64595	(000000-) Clip, Spring	2
▲	16	58494	(000000-) Stud, Ball	2
	17	53091	(000000-) Sprng,Tens,0.50Odx.05Wire 1.0L	1
	18	14601	(000000-) Balljoint .250-28	1
	19	70142	(002860-) Bracket, Latch, Bolt, Eng Cover	1

Fig. 10 - Battery Side Door Group

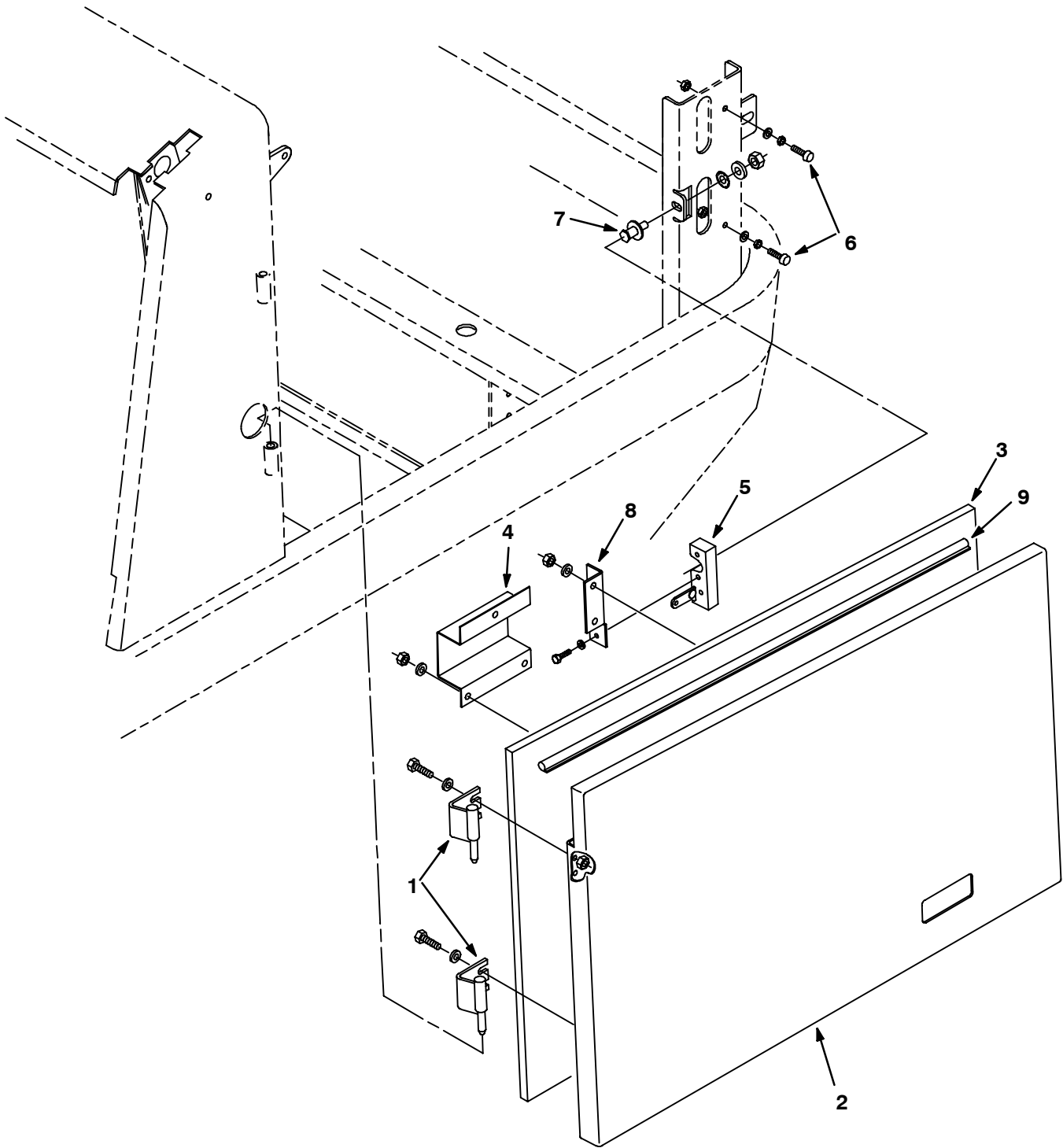


Fig. 10 - Battery Side Door Group

Ref.	Part No.	Serial Number	Description	Qty.
1	59377	(000000-) Hinge Wldt, Door, Engine	2
2	59830	(000000-) Door Wldt	1
3	59018	(000000-) Foam, Door, Engine, Side	1
4	59829	(000000-) Bracket, Door	1
5	59661	(000000-) Latch	1
6	75128	(000000-) Spindle, Adjustment	2
7	72154	(000000-) Bolt, Latch	1
8	59828	(000000-) Bracket, Latch, Door	1
9	59647	(000000-) Seal, Rubber	1

Fig. 11 - Overhead Guard Group

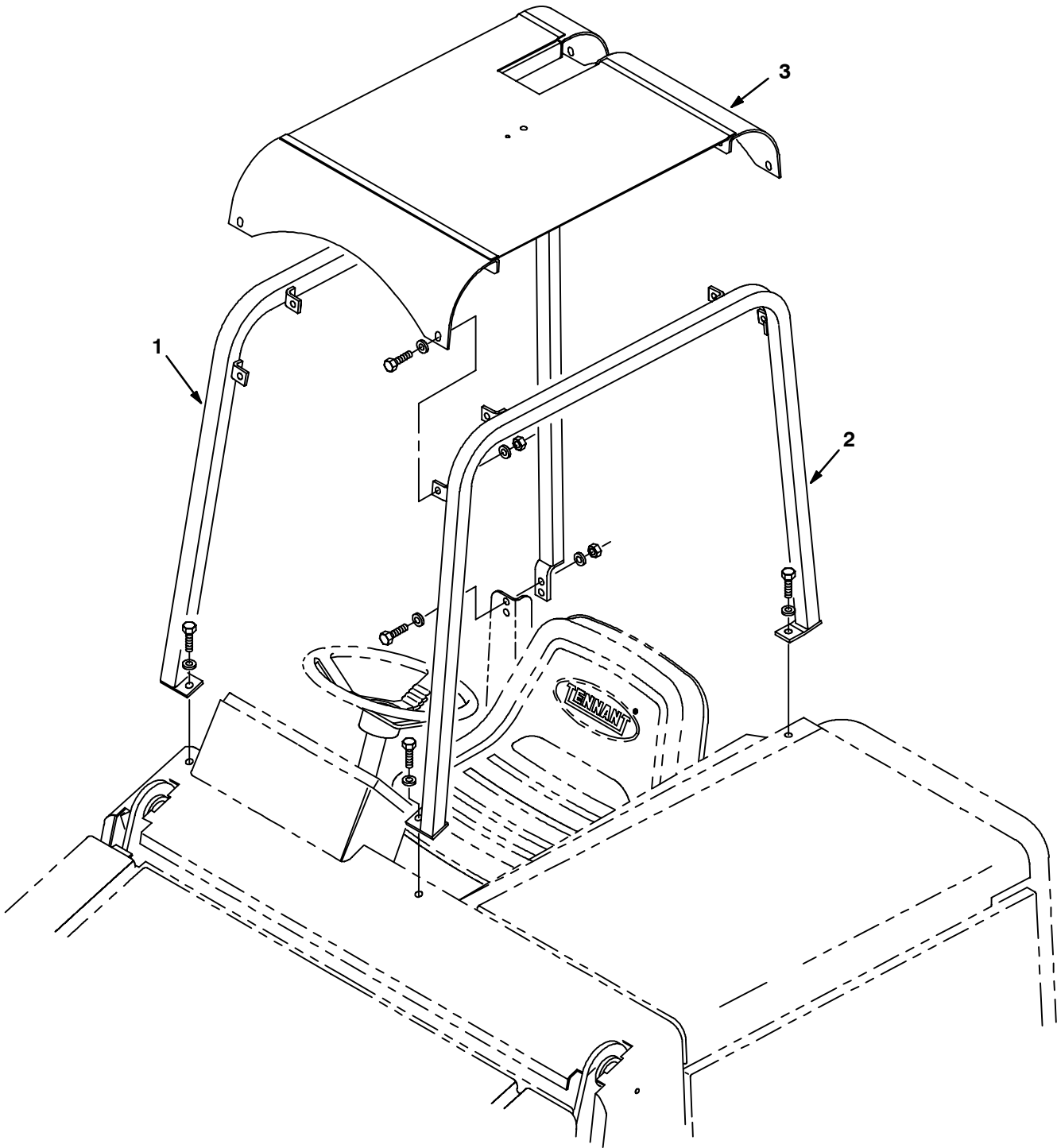


Fig. 11 - Overhead Guard Group

	Ref.	Part No.	Serial Number	Description	Qty.
▽		59524	(000000-) Guard Kit Overhead 355E	1
▲	1	59665	(000000-) Tube Wldt, Leg, Ohg,Rh,Painted	1
▲	2	59666	(000000-) Tube Wldt, Leg,Ohg,Lh,Painted	1
▲	3	59500	(000000-) Guard Wldt, Oh, Top	1

Fig. 12 - Steering and Firewall Group

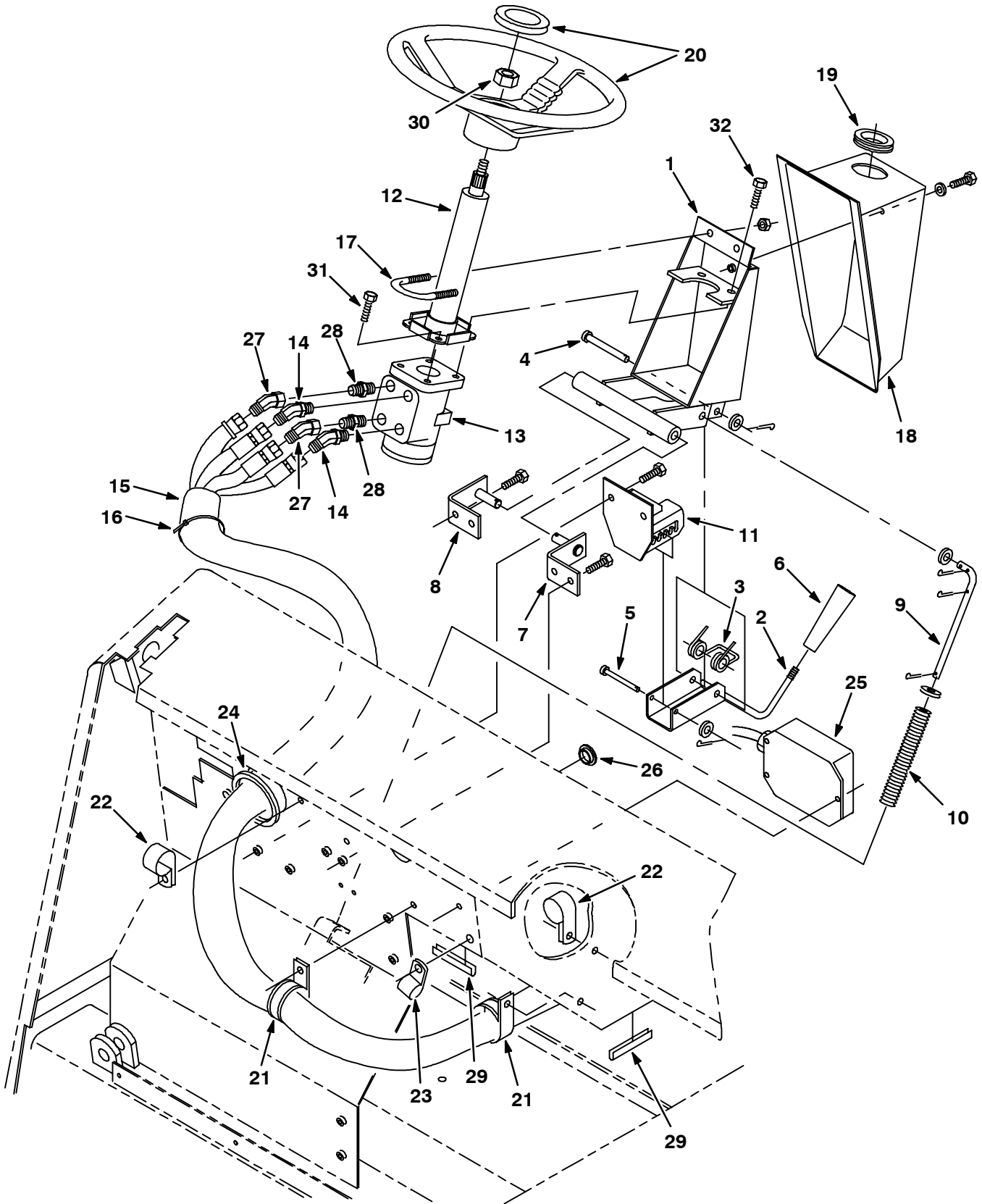


Fig. 12 - Steering and Firewall Group

Ref.	Part No.	Serial Number	Description	Qty.	
1	56373	(000000-) Bracket Wldt, Valve	1	
2	56379	(000000-) Lever Wldt, Tilt	1	
3	56198	(000000-) Spring, Torsion	1	
4	23191	(000000-) Pin,Clevis,0.37 Dia.X 3.00 Lg	1	
5	04733-10	(000000-) Pin,Clevis,0.25 Dia.X 2.44 Lg	1	
6	59940	(000000-) Knob, Tapered M8	1	
7	58665	(000000-) Bracket Wldt, Mtg, Steering,Lh	1	
8	58667	(000000-) Bracket Wldt, Mtg, Steering,Rh	1	
9	56392	(000000-) Rod, Spring	1	
10	63852	(000000-) Sprng,Comp,0.74ldx.11Wire 5.5L	1	
11	56385	(000000-) Bracket Wldt, Notched	1	
▽	12	57935	(000000-) Column, Steering	1
▲		74142	(000000-) Cap, Tube	1
13	74173	(000000-) Steer Control, Hyd (See Breakdowns)	1	
14	47522	(000000-) Ftg-Hyd E45 Jm06/Om06	2	
15	34330	(000000-) Sleeve-Nyln #38 30.0L	1	
16	49263	(000000-) Tie, Cable 3.00D Max 11.41Lg	3	
17	58748	(000000-) U - Bolt	1	
18	1011779	(000000-) Cover, Steering	1	
19	54345	(000000-) Grommet,Rbr,1.62ld,For .13Matl	1	
20	56398	(000000-) Wheel, Steering, 14 Dia X 36T	1	
21	41016	(000000-) Clamp-Cable, 2.25Dia 1.00Wth	2	
22	67767	(000000-) Clamp-Cable, 0.69D 0.62W Stl	2	
23	58366	(000000-) Clamp-Cable, 1.25Dia 1.00W Neo	1	
24	62595-4	(000000-) Molding, Trim 11-14Ga 10.00	1	
25	59951	(000000-) Housing Assy, Ele,Power Supply	1	
26	55035	(000000-) Plug, Plastic 1.00 D	1	
27	07797	(000000-) Ftg-Hyd E45 Jm08/Jf08	2	
28	56835	(000000-) Ftg-Hyd Str Jm08/Om06	2	
29	62595-3	(000000-) Molding, Trim 11-14Ga 5.75	2	
30	56185	(000000-) Nut-Hx Jam M20x1.5 4 Pltd	1	
31	02994	(000000-) Scr Hexss .38-16x.75	2	
32	02995	(000000-) Scr Hexss .38-16x1.25	2	

Fig. 13 - Instrument Panel Assembly

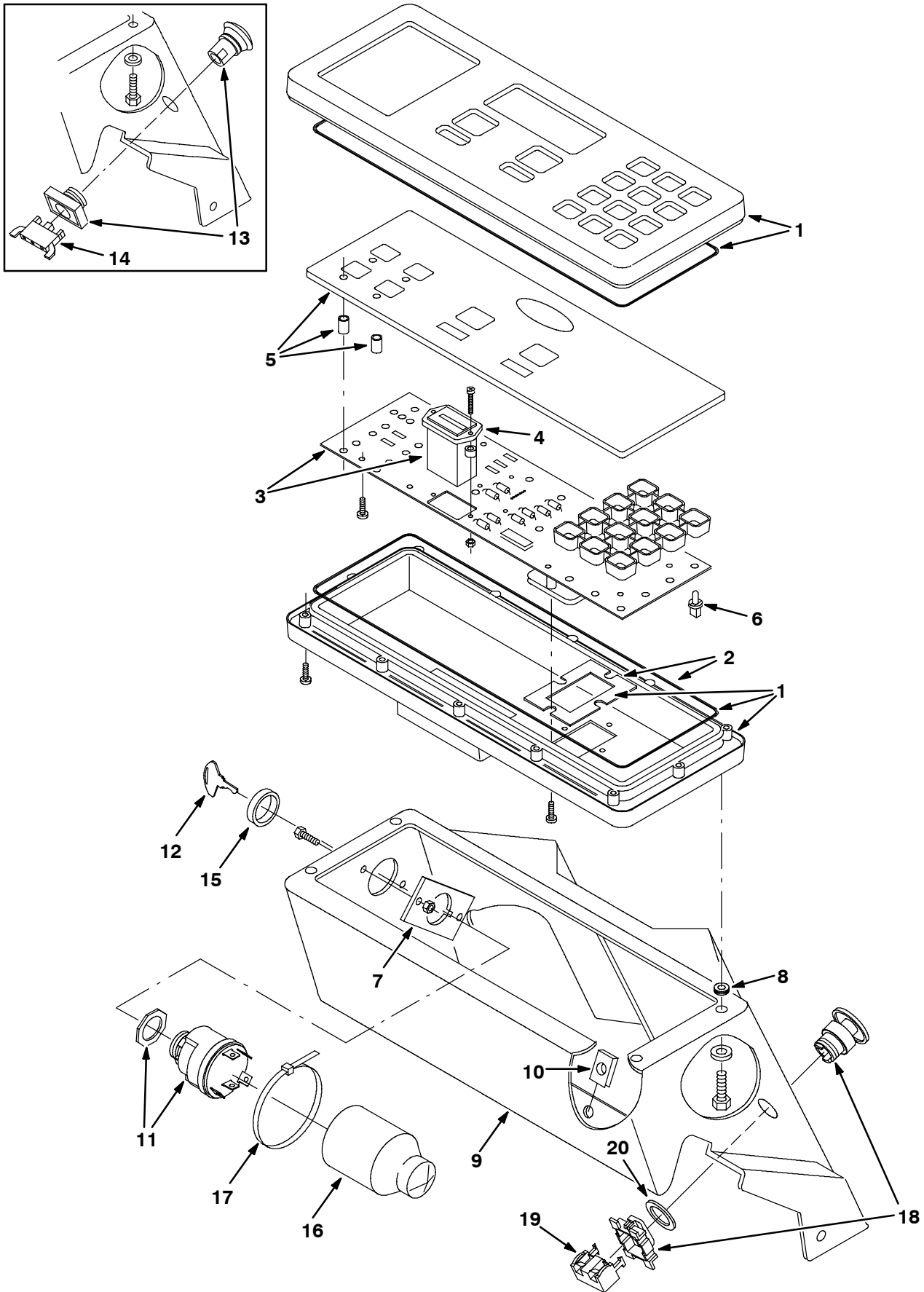


Fig. 13 - Instrument Panel Assembly

	Ref.	Part No.	Serial Number	Description	Qty.
▽		379660	(000000-) Replm Kit, Instr Panel	1
▲	1	59976	(000000-) Replm Kit, Case	1
▲	2	59977	(000000-) Replm Kit, Seal	1
▲▽	3	379657	(000000-) Replm Kit, Cir Board	1
▲▲	4	59978	(000000-) Replm Kit, Hourmeter	1
▲	5	59960	(000000-) Replm Kit, Touch Panel	1
▲	6	59950	(000000-) Replm Kit, Lamp (8)	2
	7	19768	(000000-) Plate, Reinforcement-Ignition	1
	8	10632-5	(000000-) Grommet,Rbr,0.25ld,For .09Matl	4
	9	59981	(000000-) Panel Assy, Instr, Rework	1
	10	12271	(000000-) Nut, U M 6X1.0 Pltd	2
▽	11	87536	(000000-) Switch Ignition	1
▲	12	87866	(000000-) Key Set,Switch Ku	1
	13	9003291	(000000-009418) Switch Kit, E-stop, Replmt	1
	14	65665	(000000-009418) Contact, Switch	1
	15	382516	(000000-) Boot, Switch	1
	16	383165	(000000-) Boot, Switch, Ignition	1
	17	49263	(000000-) Tie, Cable, Nyl, 11.4l .19w 3.0 Max D	1
	18	630100	(009419-) Switch, Push, E-stop [Tco#28429]	1
	19	11608	(009419-) Contacts, Switch	1
	20	82226	(009419-) Washer, Flat, 0.91b 1.38d .06, Stl, Pl	1

Fig. 14 - Instrument Panel Group, Side

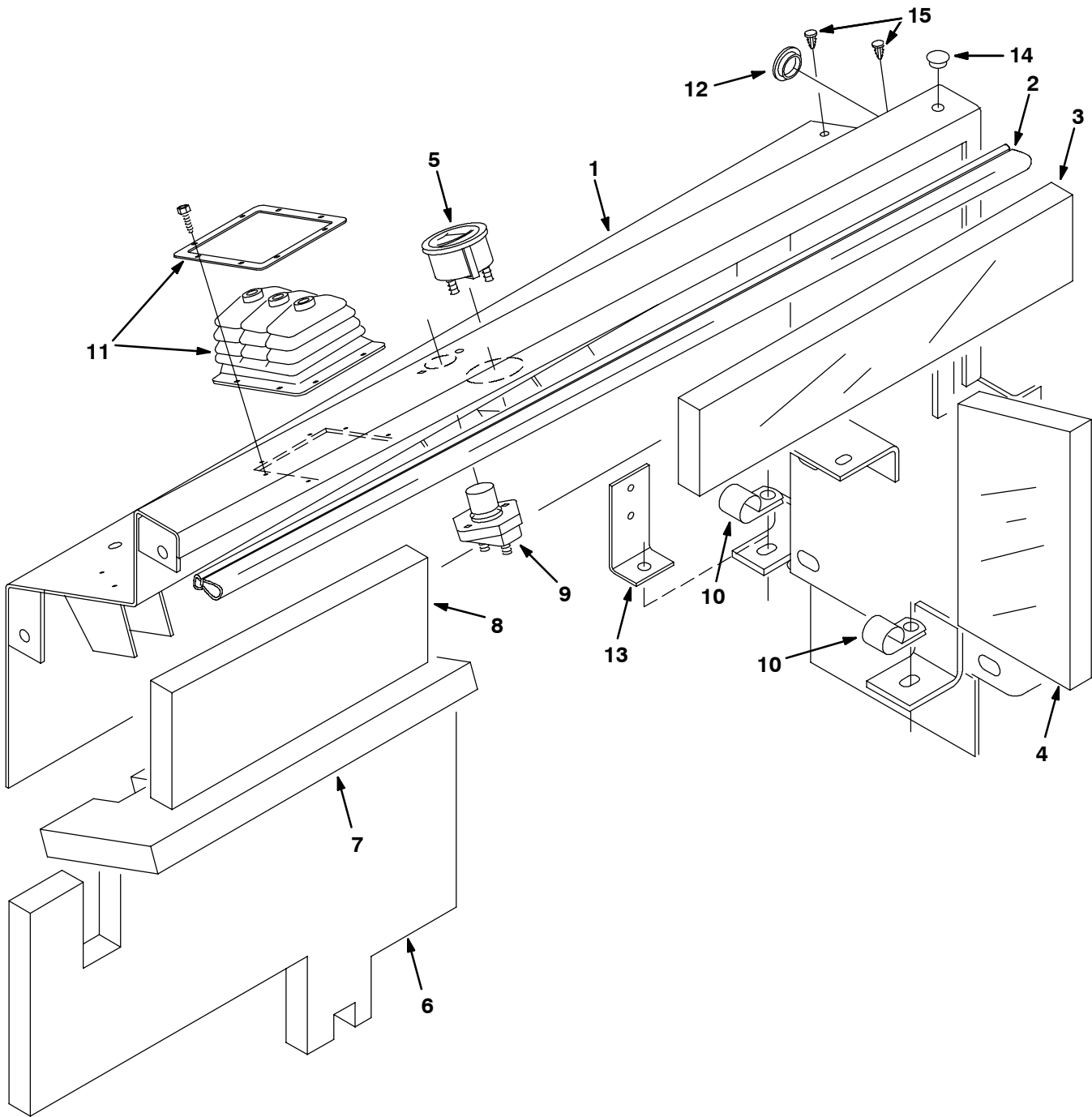


Fig. 14 - Instrument Panel Group, Side

Ref.	Part No.	Serial Number	Description	Qty.
1	71514	(000000-) Panel, Side Assy, W/Label	1
2	59647	(000000-) Seal, Rubber	1
3	59623	(000000-) Insulation, Acoustic	1
4	59622	(000000-) Insulation, Acoustic	1
5	86371	(000000-) Ammeter, 36Vdc	1
6	59628	(000000-) Insulation, Acoustic	1
7	59636	(000000-) Insulation, Acoustic	1
8	59629	(000000-) Insulation, Acoustic	1
9	44078	(000000-) Switch, Pushmom, Spst100A 12V	1
10	69234	(000000-) Clamp-Cable, 1.00Dia. .62Wth	2
11	69909	(000000-) Bellows Assy, Valve	1
12	55035	(000000-) Plugbtn, 1.0 Dia	1
13	71569	(000000-) Bracket, Connector (EE)	1
14	01314	(000000-) Plugbtn .38h .03-.12 Blacknyl	1
15	77399	(000000-) Clip, Pine-tree .236h Plastic	2

Fig. 15 - Steering Cylinder Group

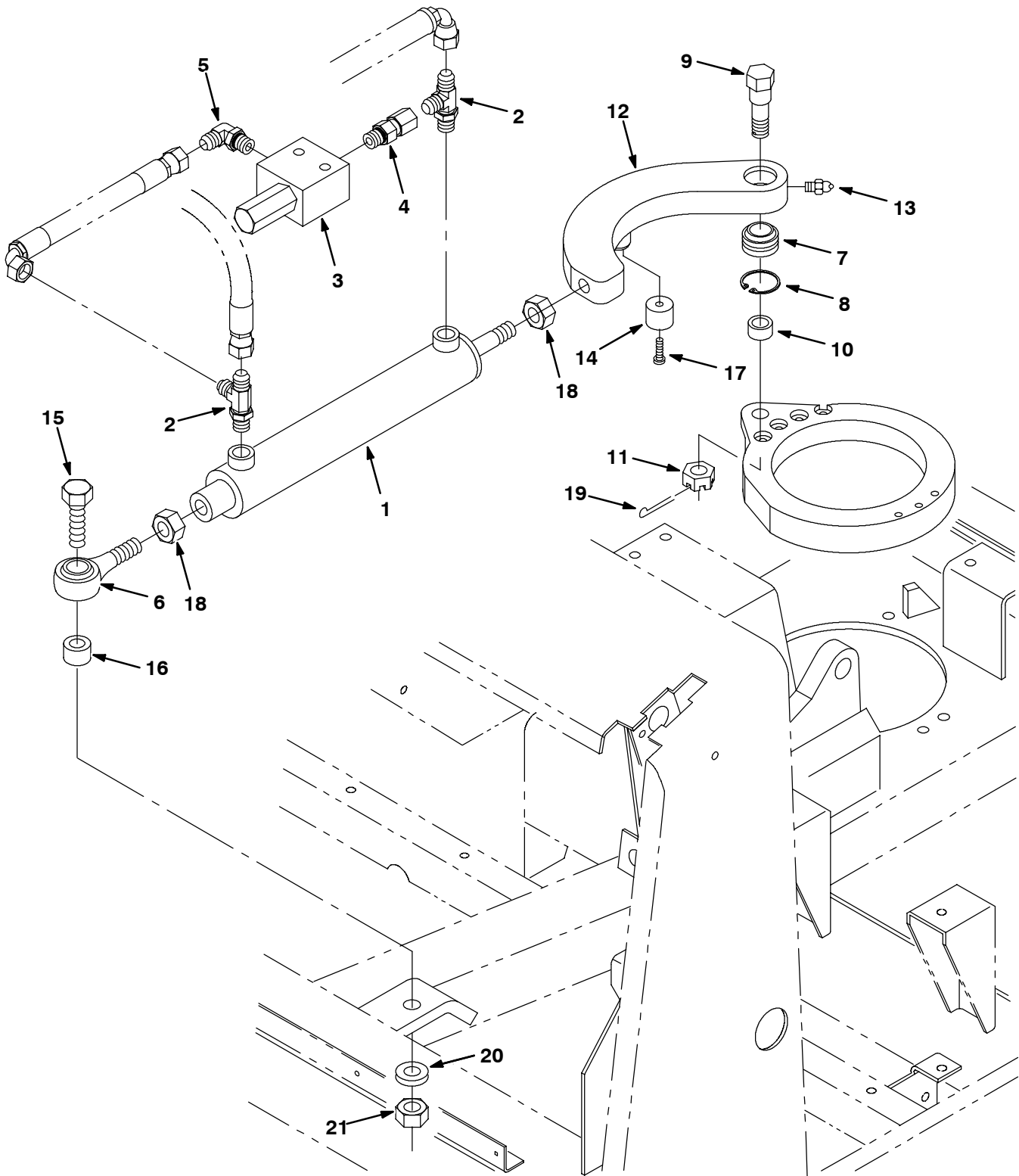


Fig. 15 - Steering Cylinder Group

Ref.	Part No.	Serial Number	Description	Qty.
1	54098	(000000-) Cylinder-Hyd (See Breakdowns)	1
2	76316	(000000-) Ftg-Hyd Tee Jm06Jmom	2
3	71560	(000000-) Valve-Hyd,Relief.56-20 650Psi	1
4	35432	(000000-) Ftg-Hyd Str Jf06/Om06	1
5	56820	(000000-) Ftg-Hyd E90 Jm06/Om06	1
6	64886	(000000-) Rod End	1
7	42120-4	(000000-) Bearing-Self Align,1.000 Bore	1
8	69925	(000000-) Ring, Retaining, Int 1.63 Dia	1
9	69924	(000000-) Pin, Steering	1
10	69928	(000000-) Sleeve, .770B 1.12D .60 Crs	1
11	39527	(000000-) Nut-Hxslot .75-16 Pltd	1
12	55795	(000000-) Link, Drag, Machining	1
13	06418	(000000-) Ftg, Grease.12 Npt Strt .66L	1
15	374553	(000000-) Scr-Hex .75-10x3.5 G5 Pltd	1
16	374552	(000000-) Tube 1.25D 0.75B 0.8L Stl	1
17	09196	(000000-) Screw, Pan, M8 X 1.25 X 25, 4.8	1
18	43958	(000000-) Nut, Hex, Std, .75-16	2
19	08175	(000000-) Pin, Cotter, .125 X 1.25	1
20	39350	(000000-) Washer, Flat, 0.75, Sae	1
21	32987	(000000-) Nut, Hex, Lock, .75-10, NI	1

Fig. 16 - Wheel Group, Rear Drive

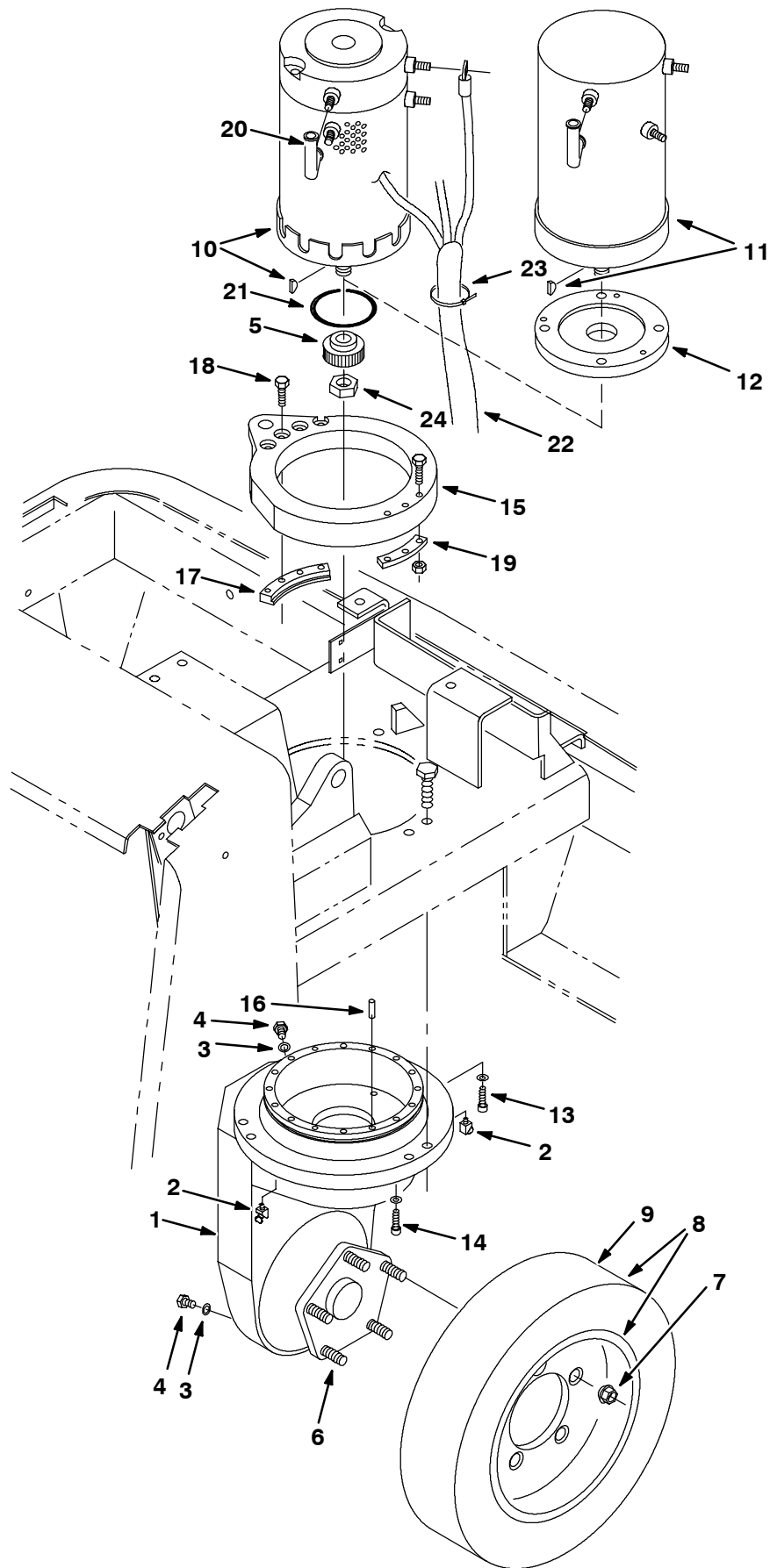


Fig. 16 - Wheel Group, Rear Drive

	Ref.	Part No.	Serial Number	Description	Qty.
▽	1	87355	(000000-) Gearbox, Hu	1
▲		61791	(000000-) Bearing and Housing Assy, Hu	1
▲	2	87839	(000000-) Grease Ftg Hu	2
▲	3	87840	(000000-) O-Ring Hu	2
▲	4	87841	(000000-) Plug Hu	2
▲	5	87849	(000000-) Driving Gear Hu	1
▲	6	12540	(000000-) Wheel Bolt Hu	5
	7	87750	(000000-) Nut-Wheel M14 X 1.5	5
▽	8	59928	(000000-) Tire & Wheel Assy, 16.2X6	1
▲	9	59924	(000000-) Tire, 16.25 X 6 X 11.25 Solid	1
	10	60198	(000000-) Motor, Traction 3.0 Hp, (See Breakdowns)	1
	11	60192	(000000-) Motor, 2.0 Hp, EE, (See Breakdowns)	1
	12	87469	(000000-) Adaptor, Motor, EE	1
	13	09030	(000000-) Scr Soc M 8X1.25 80	2
	14	09294	(000000-) Scr Soc M 8X1.25 60	1
	15	55807	(000000-) Ring, Steering	1
	16	87749	(000000-) Pin, Dowel, 0.3127 Dia. X 1.00 Lg	8
	17	55808	(000000-) Clamp, Steering	1
	18	72040	(000000-) Scr-Hex M 8X1.25 45 10.9Pltd	4
	19	87359	(000000-) Clamp, Steering	1
	20	02076	(000000-) Cover, Terminal	4
	21	360980	(000000-) Seal, O-Ring	1
	22	82833	(000000-) Sleeve, Nyln #20 35.0 L	1
	23	49266	(000000-) Tie, Cable 1.75D Max 7.50 LG	6
	24	51824	(000000-) Nut-Hxlocnyln .50-20 Thin Pltd	1

Fig. 17 - Wheel and Brakes Group, Front

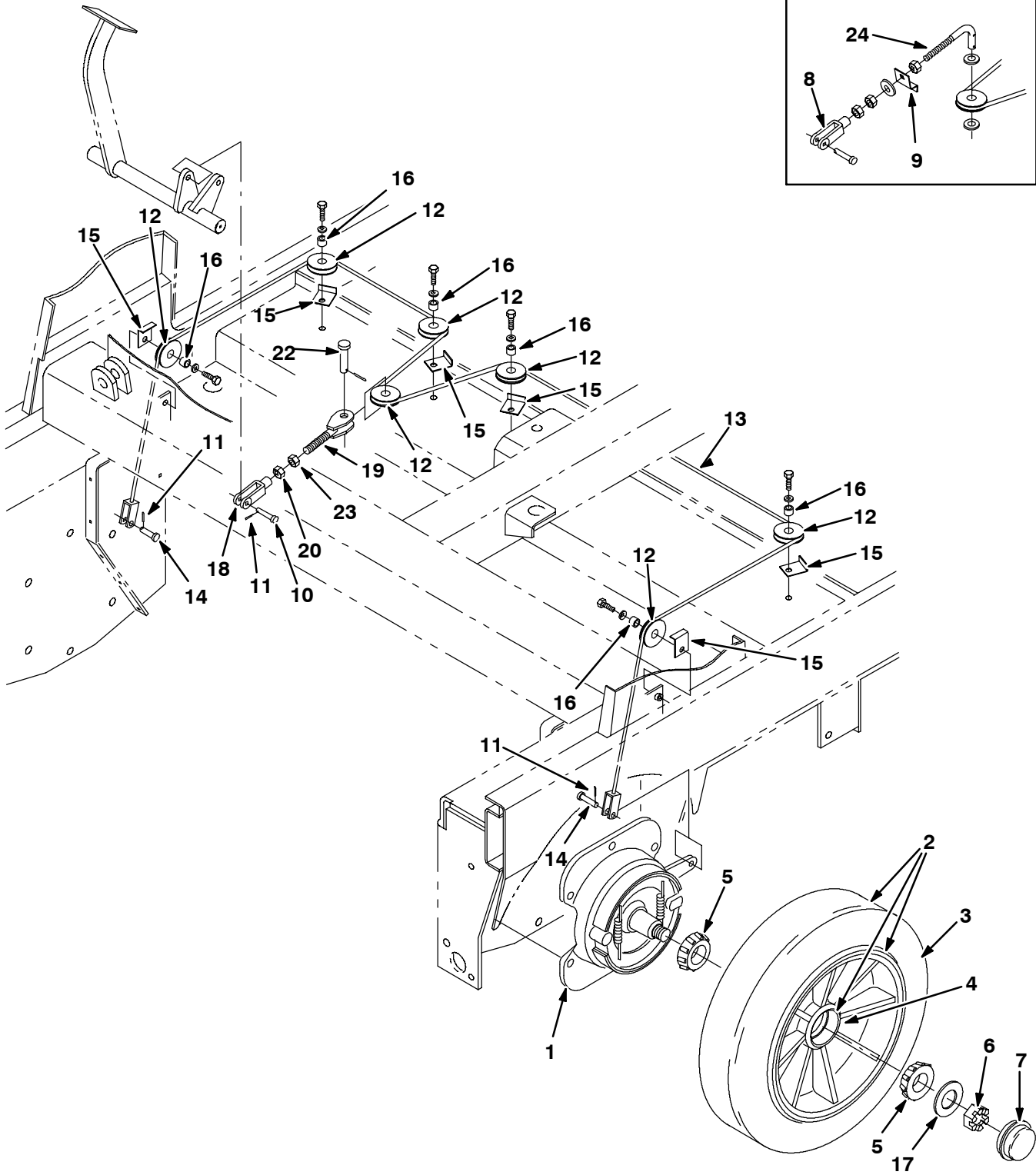


Fig. 17 - Wheel and Brakes Group, Front

Ref.	Part No.	Serial Number	Description	Qty.
▽	1	54577	(000000-) Brake Assy	2
▲		66211	(000000-) Brake Shoes	2
▲▽		66213	(000000-) Brake Repair Kit	1
▲▲		70161	(000000-) Chrome Pltd Cam Shft	1
▲		70158	(000000-) Return Spring-Brakes	2
▽	2	59929	(000000-) Tire & Wheel Assy, 18.0X5	2
▲	3	59925	(000000-) Tire, 18X5X12.12 Solid	1
▲	4	51338	(000000-) Bearing-Cup , 2.56Dia 0.55Wth	2
	5	51339	(000000-) Bearing-Cone, 1.38Bore 0.71Wth	4
	6	14242	(000000-) Nut-Hxslot 1.00-20 Pltd	2
	7	54390	(000000-) Cap, Hub	2
	8	54467	(000000-008957) Clevis, Adjustable	1
	9	58288	(000000-008957) Clip, Cable	1
	10	86240	(000000-) Pin Clevis .375 Dia X 1.13 Lg	1
	11	39005	(000000-) Pin, Cotter, .094 X 0.75	3
	12	369781	(000000-) Pulley, Cable, 1.5 D, Nyl	7
	13	54617	(000000-) Cable, Brake, Service	1
	14	09088	(000000-) Pin,Clevis,0.37 Dia.X 1.00 Lg	2
	15	54400	(000000-) Angle, Cable Keeper	6
	16	222460	(000000-) Spacer, Pulley	6
	17	32969	(000000-) Washer-Flt 1.00 Plt	2
	18	374710	(008958-) Clevis, Adj, 0.38pin, 0.50 - 20	1
	19	71373	(008958-) Clevis Wldt, Adj, .50pin 0.50-20, PI	1
	20	39313	(008958-) Nut, Hex, Std, M12 X 1.75	1
	21	08182	(008958-) Pin, Cotter, .125 X 1.00	1
	22	58078	(008958-) Pin, Clevis, 0.50 D X 1.25l	1
	23	48985	(008958-) Nut, Hex, Jam, .50-20	1
	24	374711	(000000-008957) Kit, Replmt, Connector, Cable, Brake	1

Fig. 18 - Brake Lever and Pedal Group

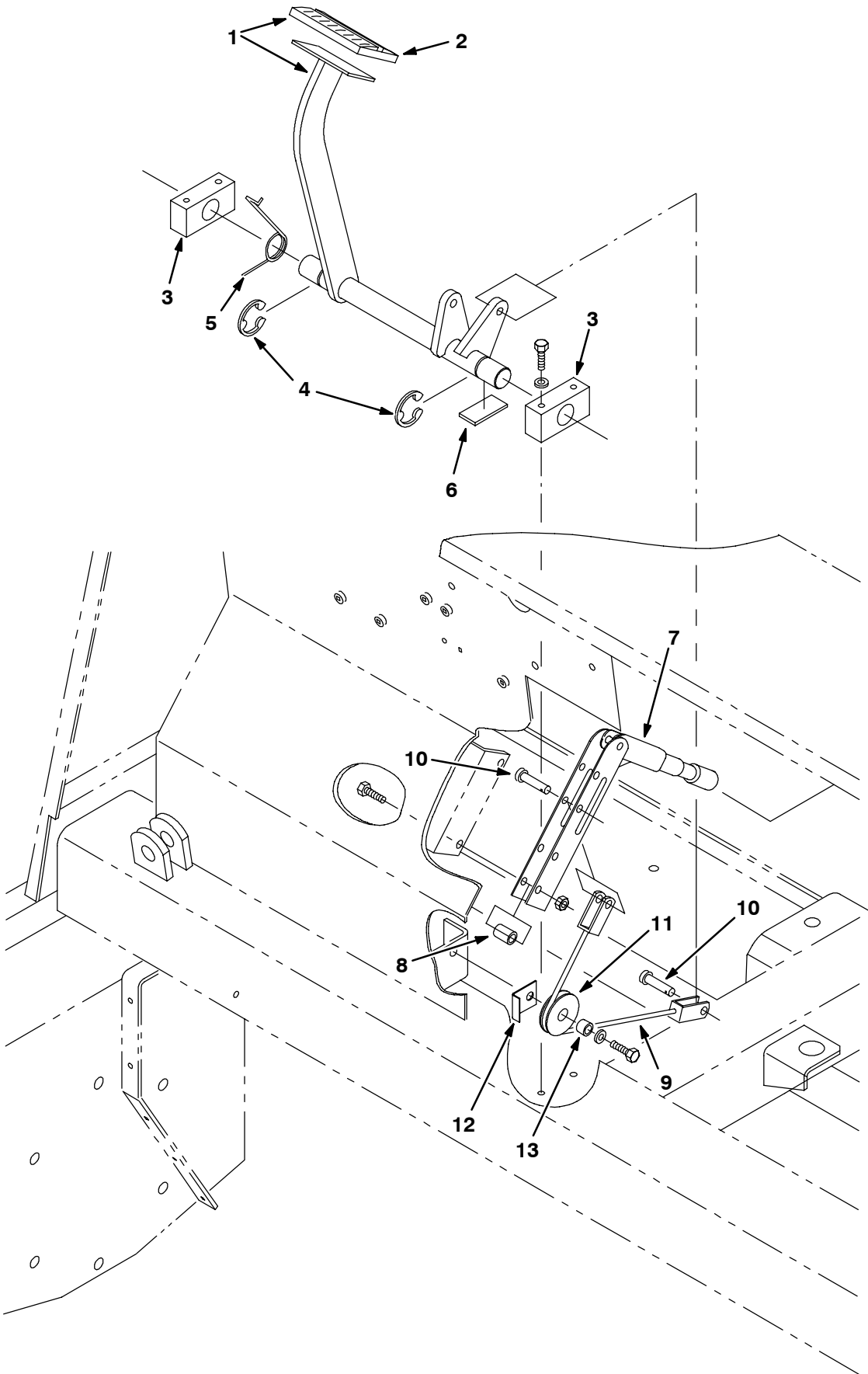


Fig. 18 - Brake Lever and Pedal Group

	Ref.	Part No.	Serial Number	Description	Qty.
▽	1	72132	(000000-) Shaft Wldt, Brake w/pad	1
▲	2	51109	(000000-) Pad	1
	3	86751	(000000-) Brg, Brake	2
	4	23788	(000000-) Ring-Retain, Ex, 0.98OD, E-Ring	2
	5	54607	(000000-) Spring, Torsion	1
	6	69933	(000000-) Pad, Rubber	1
	7	51545	(000000-) Lever, Brake	1
	8	51562	(000000-) Sleeve, .344B .50D .81 Cr.Anc	2
	9	54616	(000000-) Cable, Parking Brake	1
	10	86240	(000000-) Pin, Clevis .375 Dia X 1.13 Lg	2
	11	369781	(000000-) Pulley, Cable, 1.5 D, Nyl	7
	12	54400	(000000-) Angle, Cable Keeper	1
	13	222460	(000000-) Spacer, Pulley	1

Fig. 19 - Directional Pedal Group

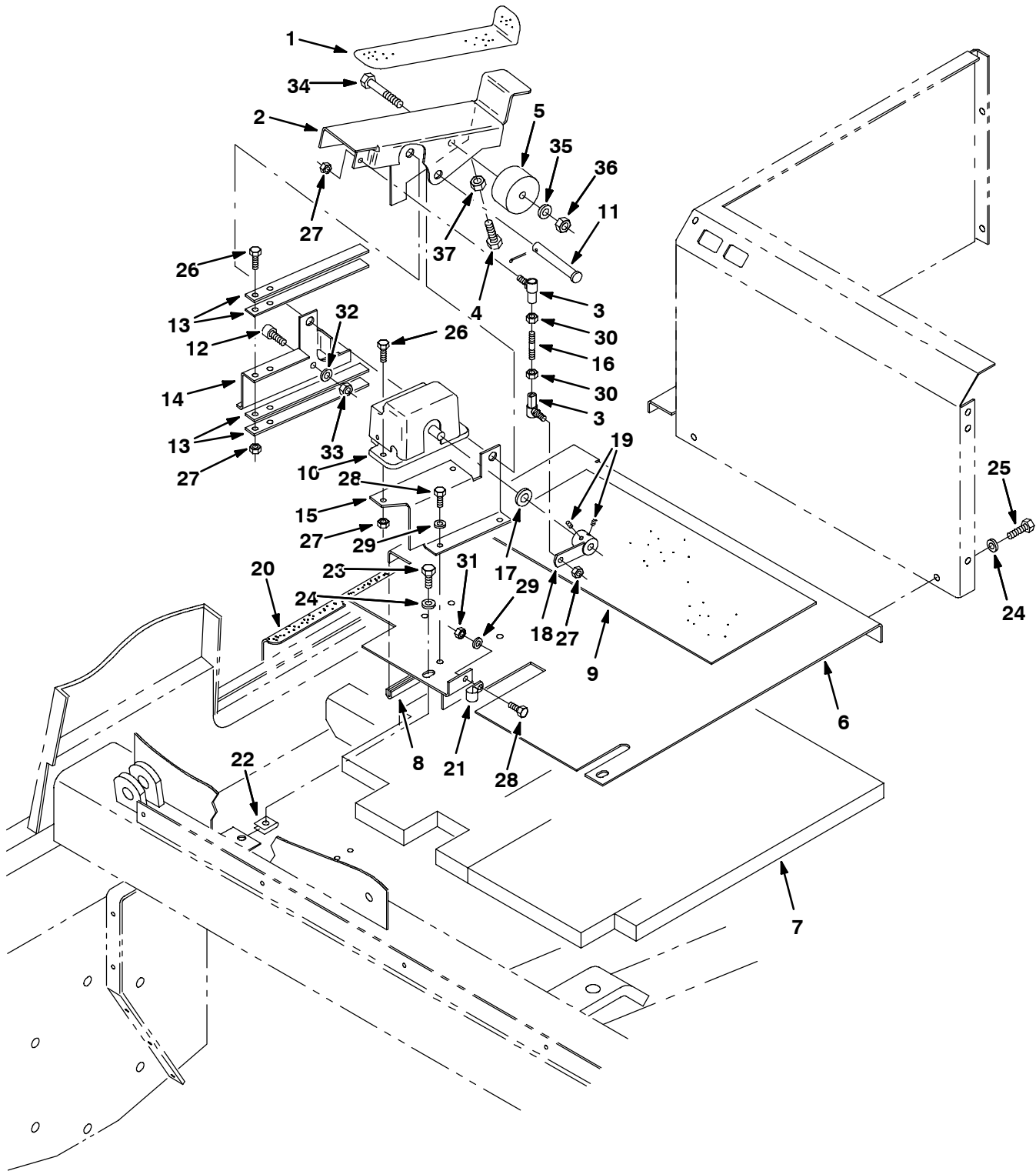


Fig. 19 - Directional Pedal Group

Ref.	Part No.	Serial Number	Description	Qty.
1	82839	(000000-) Pad, Tread	1
2	87957	(000000-) Pedal Wldt, E.V.	1
3	12263	(000000-) Balljoint M 6X1.0	2
4	36801	(000000-) Scr-Hex .38-16X1.50 Full Thd	1
5	87725	(000000-) Spacer	1
6	59938	(000000-) Plate Wldt, Floor	1
7	53492	(000000-) Insulation, Acoustic, Plate	1
8	62595-22	(000000-) Molding, Trim 11-14Ga 14.20	1
9	16369	(000000-) Tread, Floor	1
10	14368	(000000-) Accelerator Unit, Curtis	1
11	06474A	(000000-) Pin,Clevis,0.50 Dia.X 3.50 Lg	1
12	39308	(000000-) Scr Soc M 8X1.25 25	1
13	49681	(000000-) Plate,Spring Steel Direct.Cont	4
14	87718	(000000-) Brkt,Pedal Mtg. R.H.	1
15	71537	(000000-) Bracket, Pedal Mount, Lh	1
16	14397	(000000-) Rod-Thrd, 2End M06X1.0 X 2.18	1
17	43611	(000000-) Washer, .375B .75D .06 Nylon	1
18	14400	(000000-) Arm Wldt	1
19	17186	(000000-) Scr Set M 5X0.8 8	2
20	75430	(000000-) Pad, Tread	1
21	26395-1	(000000-) Clamp-Cable, 0.56Dia 0.38Wth	1
22	58595	(000000-) Nut, U, M8 X 1.25	1
23	16735	(000000-) Screw, Hex, M8 X 1.25 X 16, 8.8	1
24	32491	(000000-) Washer, Flat, 0.31, Std	5
25	39277	(000000-) Screw, Hex, M8 X 1.25 X 25, 8.8	4
26	06943	(000000-) Screw, Hex, M6 X 1.0 X 20, 8.8	4
27	08708	(000000-) Nut, Hex, Lock, M6 X 1.0, NI	6
28	15678	(000000-) Screw, Hex, M6 X 1.0 X 16, Ss	5
29	01684	(000000-) Washer, Flat, 0.25, Ss	5
30	41359	(000000-) Nut, Hex, Std, M6 X 1.0, 8	2
31	08712	(000000-) Nut, Hex, Lock, M6 X 1.0, Ss, NI	1
32	39349	(000000-) Washer, Flat, 0.31 Sae	1
33	08709	(000000-) Nut, Hex, Lock, M8 X 1.25, NI	1
34	06963	(000000-) Screw, Hex, M10 X 1.5 X 60, 8.8	1
35	32485	(000000-) Washer, Flat, 0.38 Sae	1
36	41430	(000000-) Nut, Hex, Lock, M10 X 1.5, NI	1
37	25014	(000000-) Nut, Hex, Std, .38-16	1

Fig. 20 - Hopper Group

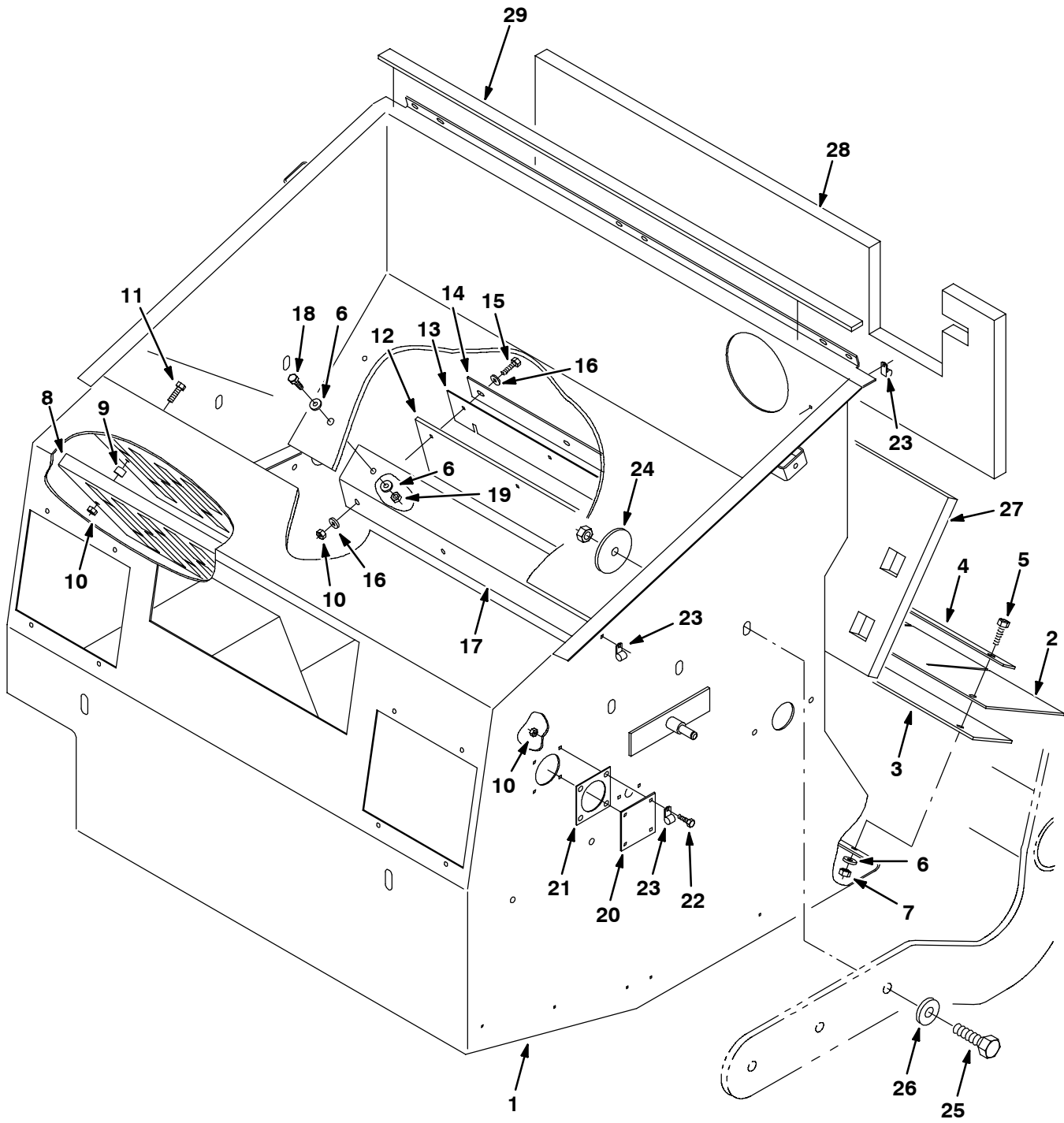


Fig. 20 - Hopper Group

Ref.	Part No.	Serial Number	Description	Qty.
1	379535	(000000-) Hopper Wldt	1
2	59680	(000000-) Skirt, Lip	1
3	59681	(000000-) Skirt, Lip	1
4	55890	(000000-) Strap, Main Lip	1
5	09010	(000000-) Screw, Hex, M08-1.25 X 25, Ss	5
6	01685	(000000-) Washer, Flat, .31 Ss	8
7	08713	(000000-) Nut, Hex, Lock, M08-1.25,NI,Ss	5
8	55021	(000000-) Filter, Dust, Panel, Perma Filter	1
9	82483	(000000-) Tube	2
10	08712	(000000-) Nut, Hex, Lock, M06-1.0, NI,Ss	12
11	33930	(000000-) Screw, Hex, M06-1.0 X 40, Ss	2
12	58103	(000000-) Seal	1
13	59105	(000000-) Seal	1
14	55884	(000000-) Strap	1
15	09007	(000000-) Screw, Hex, M06-1.0 X 25, Ss	6
16	01684	(000000-) Washer, Flat, .25 Ss	12
17	55879	(000000-) Angle	1
18	09740	(000000-) Screw, Hex, M08-1.25 X 20, Ss	3
19	07791	(000000-) Nut, Hex, Flange, M08-1.25	3
20	59189	(000000-) Plate	1
21	55965	(000000-) Seal	1
22	15678	(000000-) Screw, Hex, M06-1.0 X 16, Ss	4
23	40678	(000000-) Clamp, Cable	3
24	72159	(000000-) Washer, .562b 3.03 D .25hr	6
25	69972	(000000-) Screw, Hex, M12-1.75 X 40,10.9	6
26	36328	(000000-) Washer, Belleville, .50	6
27	59814	(000000-) Insulation, Acoustic, Hopper	1
28	59821	(000000-) Insulation, Acoustic, Hopper	1
29	379785	(000000-) Seal, Foam Rubber	1

Fig. 21 - Hopper Dump Door Group

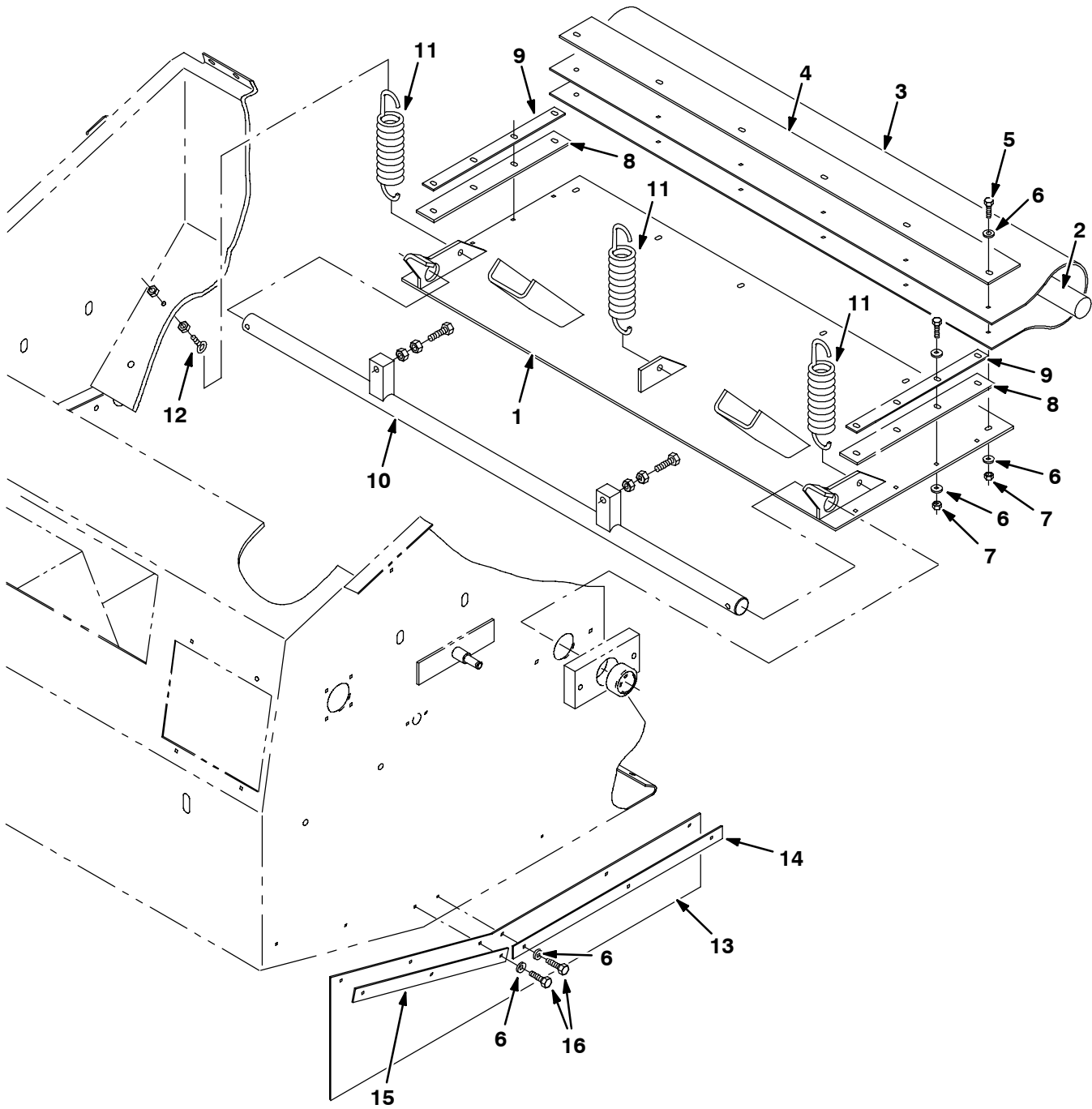


Fig. 21 - Hopper Dump Door Group

Ref.	Part No.	Serial Number	Description	Qty.
1	374507	(000000-) Door Wldt, Dump	1
2	55864	(000000-) Cord, Sponge	1
3	59685	(000000-) Seal	1
4	59686	(000000-) Strap	1
5	09007	(000000-) Screw, Hex, M06-1.0 X 25, Ss	14
6	01684	(000000-) Washer, Flat, .25 Ss	34
7	08712	(000000-) Nut, Hex, Lock, M06-1.0, NI,Ss	14
8	59687	(000000-) Seal	2
9	59688	(000000-) Strap	2
10	55889	(000000-) Rod	1
11	55892	(000000-) Spring, Tension	3
12	11893	(000000-) Bolt, Eye, .25-20x1.5x .56 Eye	3
13	54089	(000000-) Skirt	1
14	54013	(000000-) Plate, Retainer	1
15	54014	(000000-) Plate, Retainer	1
16	12459	(000000-) Screw, Hex, Fmg, M06-1.0 X 20	6

Fig. 22 - Hopper Cylinder and Dust Door Group

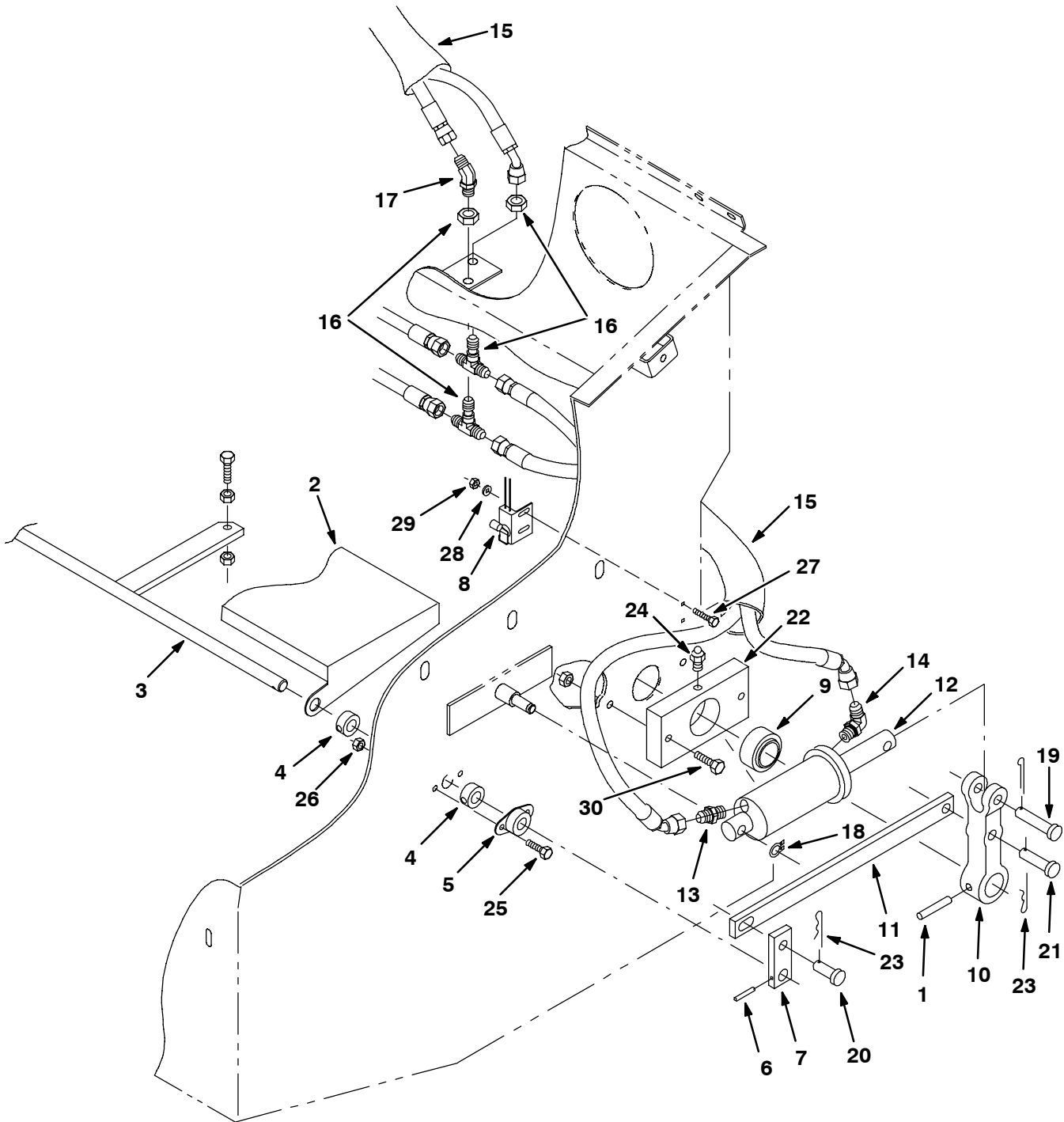


Fig. 22 - Hopper Cylinder and Dust Door Group

Ref.	Part No.	Serial Number	Description	Qty.
1	51317	(000000-) Pin, Roll, .38Odx2.00L, .375/.382	2
2	53910	(000000-) Door, Dust	1
3	53915	(000000-) Rod Wldt	1
4	34725	(000000-) Collar, Locking	4
5	34096	(000000-) Bearing-Flange, 2 Hole .625Bore	2
6	26103	(000000-) Pin, Roll, .18Odx1.25L, .187/.192	2
7	59966	(000000-) Bar, Link	2
8	59965	(000000-) Switch Assy, Roller	1
9	42120-1	(000000-) Bearing-Self Align 1.250 Bore	2
10	78787	(000000-) Yoke, Pivot, Machining	2
11	55893	(000000-) Bar, Link	2
12	54096	(000000-) Cylinder-Hyd, 2.0X 4.0Da2500Psi	2
13	55586	(000000-) Ftg-Hyd Str Jm04/Om04	2
14	77097	(000000-) Ftg-Hyd E90 Jm04/Om04	2
15	87677	(000000-) Sleeve-Nyln #20 20.0L	3
16	34392	(000000-) Ftg-Hyd Tee Jm04Jmbjm	2
17	68441	(000000-) Ftg-Hyd E45 Jm04/Jf04	1
18	23524	(000000-) Ring, Retain, Ex, 0.50Od, Selflock	2
19	11211	(000000-) Pin, Clevis, 0.50 Dia. X 2.25 Lg	2
20	58078	(000000-) Pin, Clevis, 0.50 Dia. X 1.25 Lg	2
21	51534	(000000-) Pin, Clevis, 0.50 Dia. X 2.00 Lg	2
22	55914	(000000-) Hub, Pivot	2
23	08182	(000000-) Pin, Cotter	4
24	47801	(000000-) Ftg, Grease .25-28Th Strt .63L	2
25	09744	(000000-) Screw, Hex, M06-1.0 X 12, Ss	4
26	08712	(000000-) Nut, Hex, Lock, M06-1.0, NI, Ss	4
27	24199	(000000-) Screw, Hex, M05-0.8 X 16, Ss	2
28	01683	(000000-) Washer, Flat, #10 Ss	2
29	09739	(000000-) Nut, Hex, Lock, M05-0.8, NI, Ss	2
30	09026	(000000-) Screw, Hex, M08-1.25 X 40, Ss	4

Fig. 23 - Hopper Hood and Bumper Group

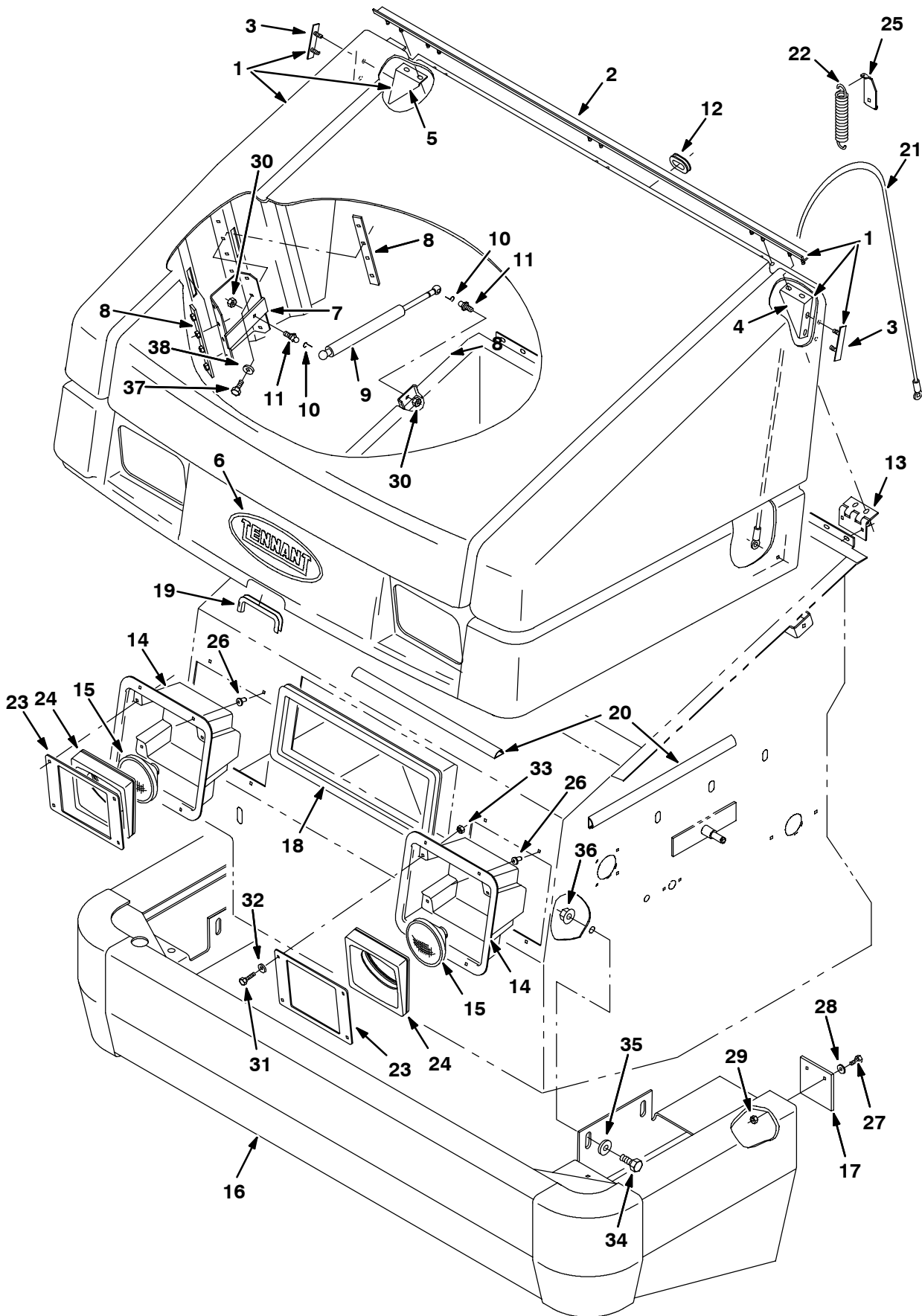


Fig. 23 - Hopper Hood and Bumper Group

Ref.	Part No.	Serial Number	Description	Qty.
▽	1	74310	(000000-) Cover, Hopper	1
▲	2	59442	(000000-) Strip, Mtg, Hinge	1
▲	3	59738	(000000-) Strip, Mtg, Gusset	2
▲	4	59737	(000000-) Bracket, Gusset, Corner, Lh	1
▲	5	59739	(000000-) Bracket, Gusset, Corner, Rh	1
	6	17200	(000000-) Label, Logo- 10.0 Blue	1
	7	70185	(000000-) Bracket Wldt, Hpr Cvr Sprng	2
	8	70178	(000000-) Plate Wldt, Sprngbrkt Backing	4
	9	64535	(000000-) Spring-Gas 120Lb 7.1 Stroke	2
	10	64595	(000000-) Clip Safety	4
	11	1024270	(000000-) Stud, Ball, .39d .31-18, .75l	4
	12	10632-1	(000000-) Grommet,Rbr,1.06ld,For .19Matl	1
	13	58500	(000000-) Hinge, Coverhopper	3
	14	53903	(000000-) Housing, Headlight, Hopper	2
	15	45391	(000000-) Light, Red/Rnd 36V 1.7A #4350	2
	16	379551	(000000-) Bumper Wldt, Front	1
	17	59448	(000000-) Skirt,Bumperstop	2
	18	379883	(000000-) Seal, Bulb 50.0Lg	1
	19	62595-6	(000000-) Molding, Trim 11-14Ga 7.50	1
	20	369817	(000000-) Duct, Vinyl	1
	21	74352	(000000-) Cable, Cover, Safety	1
	22	74353	(000000-) Spring, Tension	1
	23	53909	(000000-) Plate, Adaptor	2
	24	87460	(000000-) Mount, Headlight	2
	25	70193	(000000-) Bracket, Cable Spring	1
	26	72971	(000000-) Rivet, Plstc, .325d X 0.787	8
	27	08716	(000000-) Screw, Hex, M06-1.0 X 20, Ss	4
	28	01684	(000000-) Washer, Flat, .25 Ss	4
	29	08712	(000000-) Nut, Hex, Lock, M06-1.0, NI,Ss	4
	30	01760	(000000-) Nut, Hex, Lock, .31-18, NI	4
	31	06933	(000000-) Screw, Pan, M05 X 0.8 X 16, 4.8	8
	32	19066	(000000-) Washer, Flt, #10	8
	33	06549	(000000-) Nut, Hex, Lock, M05 X 0.8, NI	8
	34	41346	(000000-) Screw, Hex, M12 X 1.75 X 30, 8.8	6
	35	36328	(000000-) Washer, Flat, Belleville, .50	6
	36	07793	(000000-) Nut, Hex, Flng, M12 X 1.75	4
	37	12274	(000000-) Screw, Hex, M6 X 1.0 X 20, 8.8, NI	16
	38	32490	(000000-) Washer, Flat, 0.25, Std	16

Fig. 24 - Filter Box Group

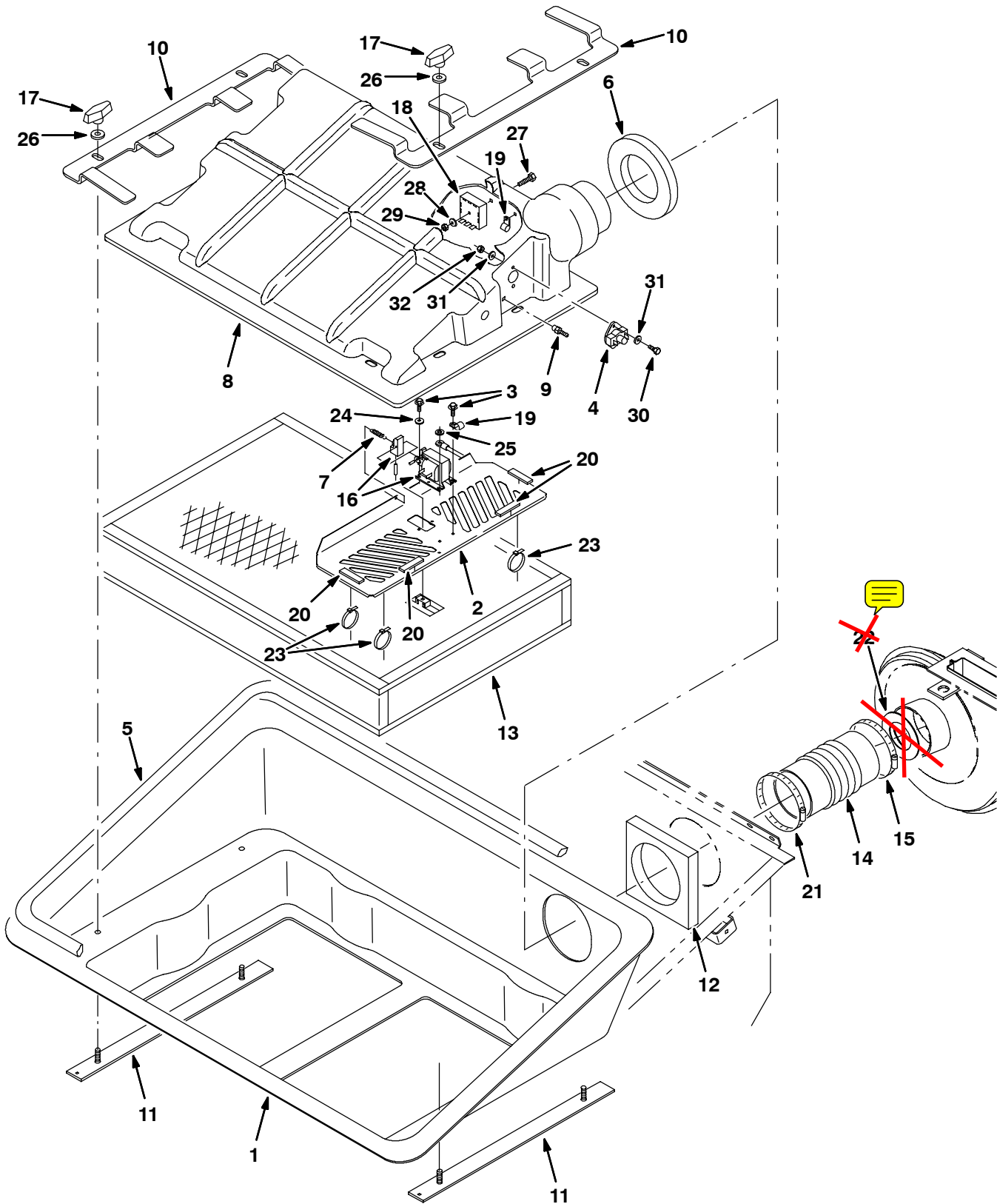


Fig. 24 - Filter Box Group

Ref.	Part No.	Serial Number	Description	Qty.
1	379558	(000000-) Tray, Filter Carrier	1
2	379555	(000000-) Plate, Panel, Shaker	1
3	16944	(000000-) Screw, Hex, M4 X 0.7 X 10, Fmg	4
4	02712	(000000-) Thermostat	1
5	79425	(000000-) Seal, Bulb, [Sd-0106], 140.00l	1
6	379560	(000000-) Foam, Acoustic, Hopper	1
7	81812	(000000-) Spring	4
8	379556	(000000-) Cover, Filter Panel	4
9	40607	(000000-) Ftg-Brs Str	1
10	379530	(000000-) Bracket, Filter, Hold Down	1
11	379531	(000000-) Bar Wldt, Shaker	2
12	379781	(000000-) Insulation, Foam	2
13	379882	(000000-) Filter Pkg, Panl, Syn, 94plts	1
13	375249	(000000-) Filter Pkg Kit, 098plts, Ci (Option)	1
14	77320	(000000-) Hose, Vacuum	1
15	23498	(000000-) Clamp, Wormdrive	1
16	379891	(000000-) Solenoid Assy, Filter Shaker, 36V	1
17	04706	(000000-) Handle, Lift, Brush	2
18	81922	(000000-) Module, Shaker, 36V	2
19	26395-2	(000000-) Clamp, Cable	2
20	379822	(000000-) Seal	4
21	379823	(000000-) Clamp, Bridge, 4.0	1
22	379849	(000000-) Restrictor Ring Kit	1
23	49266	(000000-) Tie, Cable, Nyl, 07.3L .19W 1.8 Max D	4
24	19065	(000000-) Washer, Flat, #08	2
25	32982	(000000-) Washer, Lock, Int, 0.25	1
26	32492	(000000-) Washer, Flat, 0.38, Std	4
27	07805	(000000-) Screw, Hex, M6 X 1.0 X 35, Ss	1
28	32490	(000000-) Washer, Flat, 0.25, Std	1
29	08708	(000000-) Nut, Hex, Lock, M6 X 1.00, NI	1
30	09244	(000000-) Screw, Hex, M5 X 0.8 X 16, 8.8	2
31	19066	(000000-) Washer, Flat, #10	4
32	06549	(000000-) Nut, Hex, Lock, M5 X 0.80, NI	2

Fig. 25 - Hopper Lift Arms Group

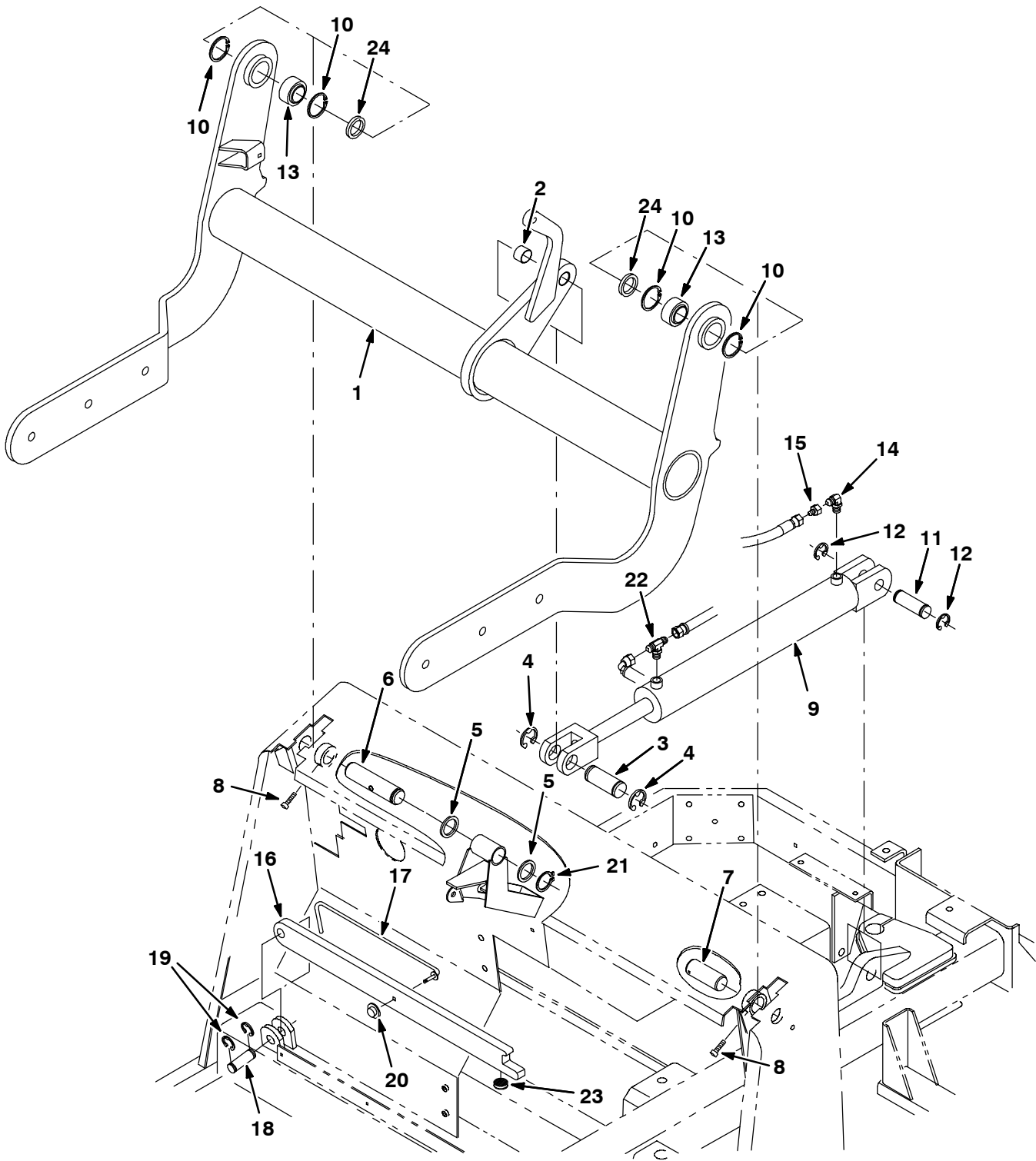


Fig. 25 - Hopper Lift Arms Group

Ref.	Part No.	Serial Number	Description	Qty.
	1	59825	(000000-) Arm Assy, Hopper w/Label	1
▽	69908	(000000-)	Pin Assy, Clevis, Hopper Lift	1
▲	2	59866	(000000-) Bearing, Journal 1.25 Idx1.0Lg	1
▲	3	59867	(000000-) Pin, Grooved	1
▲	4	59861	(000000-) Ring, Retaining, Ext, 1.25 Dia	2
	5	54079	(000000-) Washer, 1.281B 1.75D .08Cr Znc	4
	6	55462	(000000-) Pin, Rh	1
	7	55463	(000000-) Pin, Lh	1
	8	39308	(000000-) Scr Soc M 8X1.25 25	2
	9	74419	(000000-009389) Cylinder-Hyd (See Breakdowns)	1
▽	9	1025228	(009390-) Cylinder, Hyd, 2.5b 28.4l 15.00strk 2500	1
▲	9001557	(009390-)	Seal Kit	1
	10	59542	(000000-) Ring, Retaining, Intl, 2.00Dia	4
	11	59380	(000000-) Pin-Grvd, 1.00D 3.0L2/ 2.71Btw	1
	12	23788	(000000-) Ring, Retain, Ex, 0.98Od, E-Ring	2
	13	42120-1	(000000-) Bearing-Self Align 1.250 Bore	2
	14	77097	(000000-) Ftg-Hyd E90 Jm04/Om04	1
	15	16455	(000000-) Ftg-Hyd Rst Jm04/.047	1
	16	59827	(000000-) Arm Assy, Safety w/Label	1
	17	58645	(000000-) Handle, Safety Arm	1
	18	59842	(000000-) Pin, Arm, Safety	1
	19	23788-1	(000000-) Ring, Retaining, Ext, .75 Dia	2
	20	59849	(000000-) Nut, Retainer R/.312 Dia	1
	21	58359	(000000-) Retaining Ring-External, 1.25D	1
	22	31599	(000000-) Ftg-Hyd Tee Jm04OmJm	1
	23	16786	(000000-) Bumper, Safety Arm	1
	24	70271	(000000-) Washer, 1.281B 1.75Od .25Hrznc	2

Fig. 26 - Side Brush Motor and Pivot Group

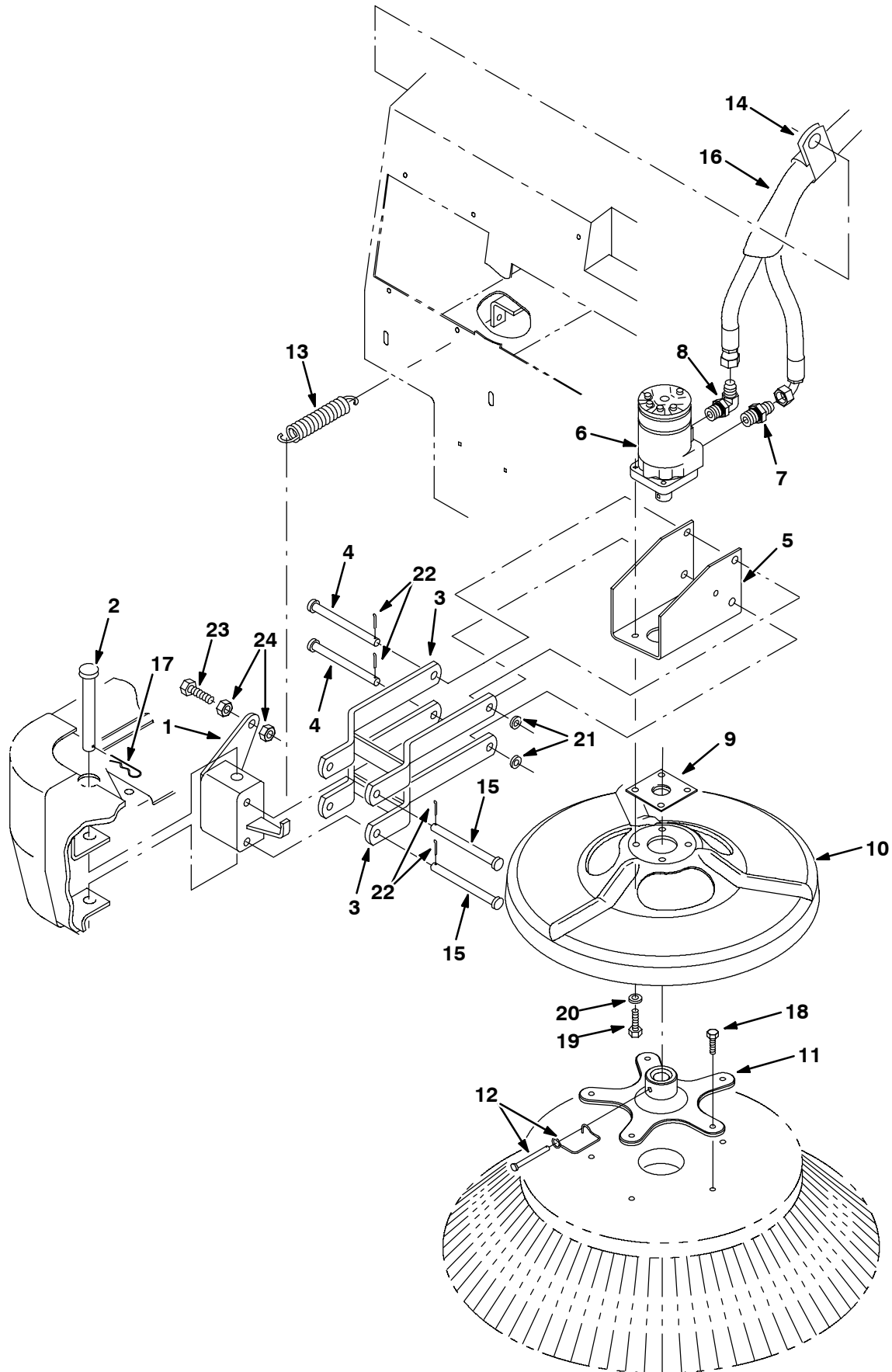


Fig. 26 - Side Brush Motor and Pivot Group

Ref.	Part No.	Serial Number	Description	Qty.
1	54050	(000000-) Pivot Assy, S Br	1
2	54660	(000000-) Pin, Clevis .75 Dia X 5.5 Lg	1
3	53965	(000000-) Arm Assy, Lift	2
4	51225	(000000-) Pin, Clevis, 0.50 Dia. X 5.50 Lg	2
5	71540	(000000-) Bracket, Mtg, Motor, Side Brush	1
6	379607	(000000-) Motor-Hyd Gear (See Breakdowns)	1
7	56692	(000000-) Ftg-Hyd Str Jm08/Om10	1
8	56821	(000000-) Ftg-Hyd E90 Jm08/Om10	1
9	16082	(000000-) Guard, String, Brush Motor	1
10	379532	(000000-) Guard, Brush	1
11	379534	(000000-) Hub, Side Brush, Machining	1
12	84581	(000000-) Pin Assy, Side Brush W/Clip	1
13	47745	(000000-) Sprng, Tens, 1.12Odx.14Wire 6.3L	1
14	53466	(000000-) Clamp, Hose	2
15	51538	(000000-) Pin, Clevis, 0.50 Dia. X 5.00 Lg	2
16	75028	(000000-) Sleeve, Nyl, 27 65.0L	1
17	02942	(000000-) Pin, Hair Cotter	1
18	39396	(000000-) Screw, Hex, .31-12 X 1.50, Fmg, [Ab]	5
19	46559	(000000-) Screw, Hex, .38-16 X 1.25, NI	4
20	32492	(000000-) Washer, Flt, .38 Std	4
21	32493	(000000-) Washer, Flat, 0.50 Std	2
22	08175	(000000-) Pin, Cotter, .125 X 1.25	4
23	06973	(000000-) Screw, Hex, M12 X 1.75 X 70, 8.8	1
24	07788	(000000-) Nut, Hex, Std, M12 X 1.75, Ss	2

Fig. 27 - Side Brush Lift Group

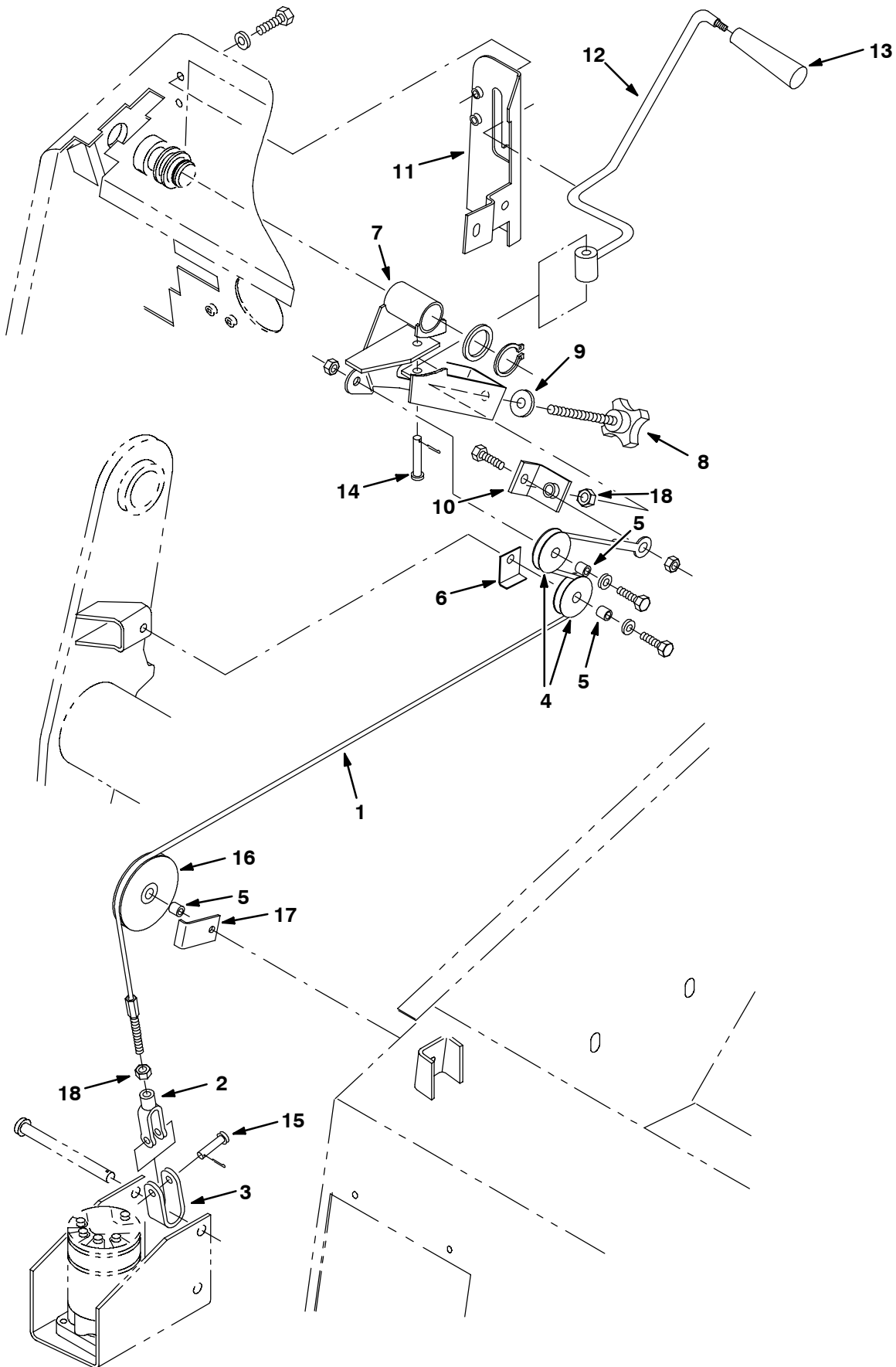


Fig. 27 - Side Brush Lift Group

Ref.	Part No.	Serial Number	Description	Qty.
1	54934	(000000-) Cable, Lift, S Br	1
2	12267	(000000-) Yoke,End-Adjustable	1
3	59899	(000000-) Bracket, Side Brush	1
4	369781	(000000-) Pulley, Cable, 1.5D Nyl	2
5	222460	(000000-) Spacer, Pulley	3
6	54400	(000000-) Angle, Cable Keeper	1
7	374573	(000000-) Bracket Wldt, S Br Lift	1
8	54848	(000000-) Knob, Adjusting	1
9	52296	(000000-) Washer, .405B .81D .06Nylon	1
10	56662	(000000-) Bracket	1
11	58872	(000000-) Panel, Support	1
12	56641	(000000-) Lever Wldt, S Br	1
13	54995	(000000-) Knob, Tapered	1
14	29584	(000000-) Pin,Clevis,0.37 Dia.X 2.00 Lg	1
15	29558	(000000-) Pin,Clevis,0.37 Dia.X 1.50 Lg	1
16	379684	(000000-) Pully Assembly 2.75	1
17	379686	(000000-) Angle, Cable Keeper	1
18	32716	(000000-) Nut-Hx Jam M10x1.5 Ss	3

Fig. 28 - Main Brush Lift Group

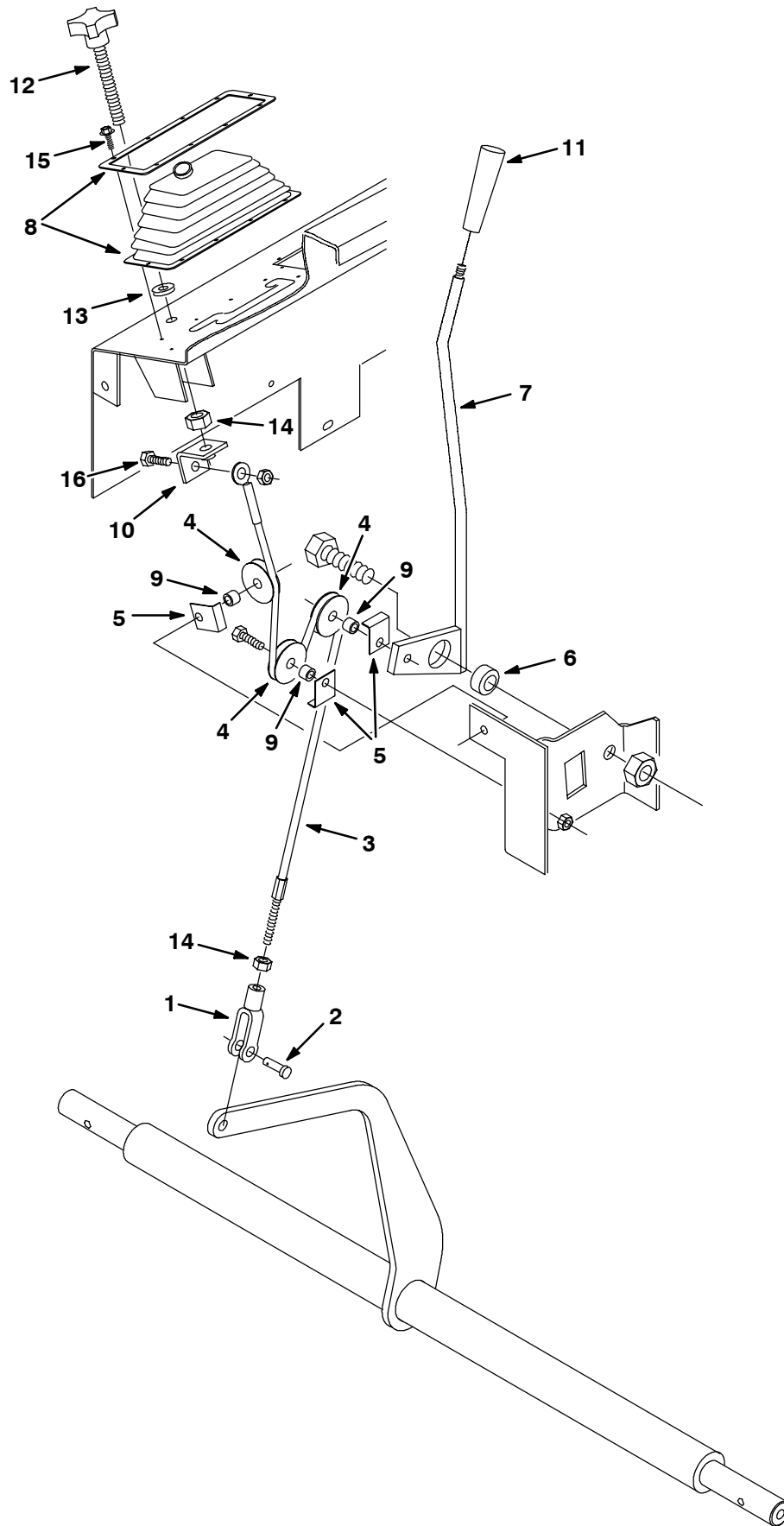


Fig. 28 - Main Brush Lift Group

Ref.	Part No.	Serial Number	Description	Qty.
1	12267	(000000-) Yoke,End-Adjustable	1
2	86240	(000000-) Pin Clevis .375 Dia X 1.13 Lg	1
3	54840	(000000-) Cable, Lift, M Br	1
4	369781	(000000-) Pulley, Cable, 1.5D Nyl	3
5	54400	(000000-) Angle, Cable Keeper	3
6	54663	(000000-) Bearing, Self Aligning	1
7	54118	(000000-) Lever Wldt, M Br	1
8	69903	(000000-) Bellows Assy, Brush Lift	1
9	222460	(000000-) Spacer, Pulley	3
10	56662	(000000-) Bracket	1
11	54995	(000000-) Knob, Tapered	1
12	54848	(000000-) Knob, Adjusting	1
13	52296	(000000-) Washer, .405B .81D .06Nylon	1
14	32716	(000000-) Nut-Hx Jam M10x1.5 Ss	2
15	16944	(000000-) Scr Hxfmgm 4x0.7 Pltd	8
16	09740	(000000-) Scr Hexss M8x1.25	1

Fig. 29 - Main Brush Drive Group

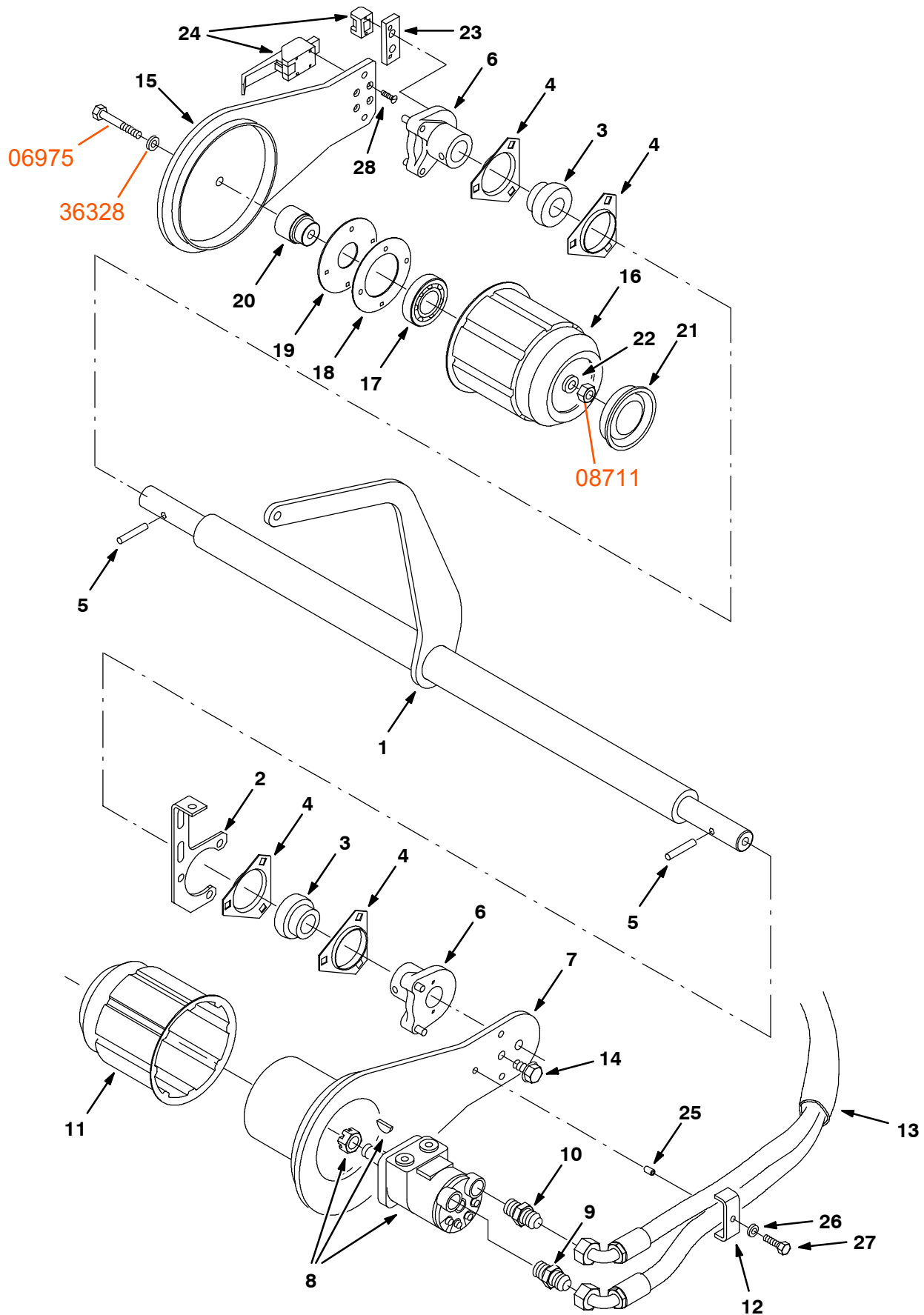


Fig. 29 - Main Brush Drive Group

Ref.	Part No.	Serial Number	Description	Qty.
1	54693	(000000-) Shaft Wldt, Brush	1
2	54199	(000000-) Plate, Mtg, Main Brush Shaft	1
3	51448	(000000-) Bearing&Clr ,1.25B 2.44D 1.41W	2
4	51449	(000000-) Flange,Brg,3 Hole	4
5	51317	(000000-) Pin,Roll,.38Odx2.00L,.375/.382	2
6	54680	(000000-) Hub Assy, Brush Arm	2
7	13156	(000000-) Arm Wldt, Brush, Lh	1
8	74468	(000000-008247) Motor-Hyd Gear (See Breakdowns)	1
8	379608	(008248-) Motor-Hyd Gear (See Breakdowns)	1
9	44869	(000000-) Ftg-Hyd Str Jm08/Om08	1
10	52402	(000000-) Ftg-Hyd Str Jm06/Om08	1
11	87631	(000000-) Plug Weld, Brush Drive, Sweep	1
12	51715	(000000-) Clamp, Hose	1
13	82831	(000000-) Sleeve-Nyln #24 35.0L	1
14	53985	(000000-) Plug, Thread 1/2- 13	1
15	54659	(000000-) Arm Wldt, Idler, W/Brush	1
16	55779	(000000-) Plug Wldt, Idler	1
17	24899	(000000-) Bearing-Ball,1.38B 2.83D 0.67W	1
18	30252	(000000-) Strip, Retainer, Bearing	1
19	30253	(000000-) Plate, Seal	1
20	30251	(000000-) Shaft, Idler	1
21	30255	(000000-) Plug, Tube	1
22	51564	(000000-) Washer, .531B 1.75D .12Cr.Znc	1
23	54204	(000000-) Plate, Mtg, Latch	1
24	54878	(000000-) Latch	1
25	56228	(000000-) Sleeve, .254B .31D .52 Plastc	1
26	01684	(000000-) Washer Flt .25 Ss	1
27	07805	(000000-) Scr Hexss M12x1.75	1
28	15678	(000000-) Scr Hexss M6x1.0	2
	09120		Scr, Flt M5	6

Fig. 30 - Vacuum Fan Impeller Group

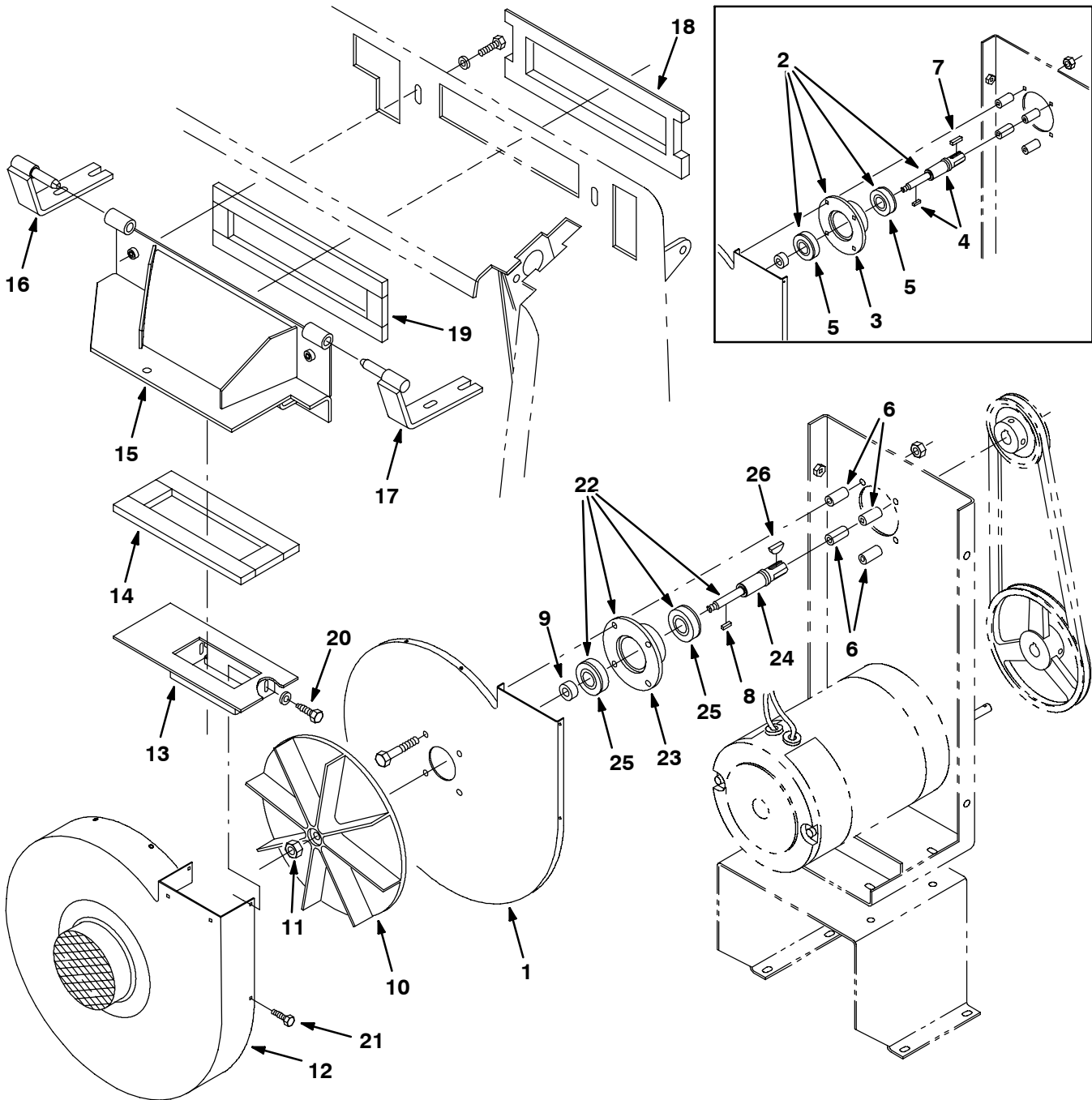


Fig. 30 - Vacuum Fan Impeller Group

Ref.	Part No.	Serial Number	Description	Qty.
	1	36593	(000000-) Plate Weldm.,Fan Backing	1
▽	2	387388	(000000-xxxxxx) Kit, Repair, Shaft Assy	1
▲	3	41561	(000000-xxxxxx) Flange, Bearing	1
▲	4	387389	(000000-xxxxxx) Kit, Repair, Shaft W/ Key	1
▲	5	32525	(000000-xxxxxx) Bearing-Ball,0.67B 1.57D 0.47W	2
	6	59094	(000000-) Tube, .5Od .12W 1.00,St.Mech	4
	7	00911	(000000-xxxxxx) Key, Square 0.18 0.18 00.75 Lg	1
	8	00960	(000000-) Key, Square 0.12 0.12 00.50 Lg	1
	9	10362	(000000-) Spacer	1
	10	08143	(000000-) Impeller, 9.00 Dia X 0.376B	1
	11	87299	(000000-) Nut-Hxflexloc .31-24 Thin Pltd	1
	12	59040	(000000-) Housing Wldt, Fan, Vacuum	1
	13	69961	(000000-) Channel Wldt, Outlet, Fan	1
	14	59734	(000000-) Seal, Fan, Vac, Outlet	1
	15	58540	(000000-) Duct Wldt, Transition, Vac Fan	1
	16	374504	(000000-) Hinge Wldt, Cover, Rh	1
	17	374505	(000000-) Hinge Wldt, Cover, Lh	1
	18	69990	(000000-) Insulation, Acoustic,Eng Cover	1
	19	378972	(000000-) Seal, Fan, Vac, Transition	1
	20	20394	(000000-) Screw, Hex, #10-16 X 0.62, Fmg, [Ab]	2
	21	87838	(000000-) Screw, Hex, #06-20 X 0.50, Fmg, [Ab]	7
▽	22	387387	(xxxxxx-) Shaft Assy, Brg	1
▲	23	41561	(xxxxxx-) Bushing Assy, Flng, 4 Hole, 1.57b, Stl	1
▲	24	387376	(xxxxxx-) Shaft, Impeller	1
▲	25	32525	(xxxxxx-) Bearing, Ball, 0.67B 1.57D 0.47W	2
	26	00500-10	(xxxxxx-) Key, Woodruff, 0.19 0.75, [Asa#0606]	1

Fig. 31 - Vacuum Fan Drive Group

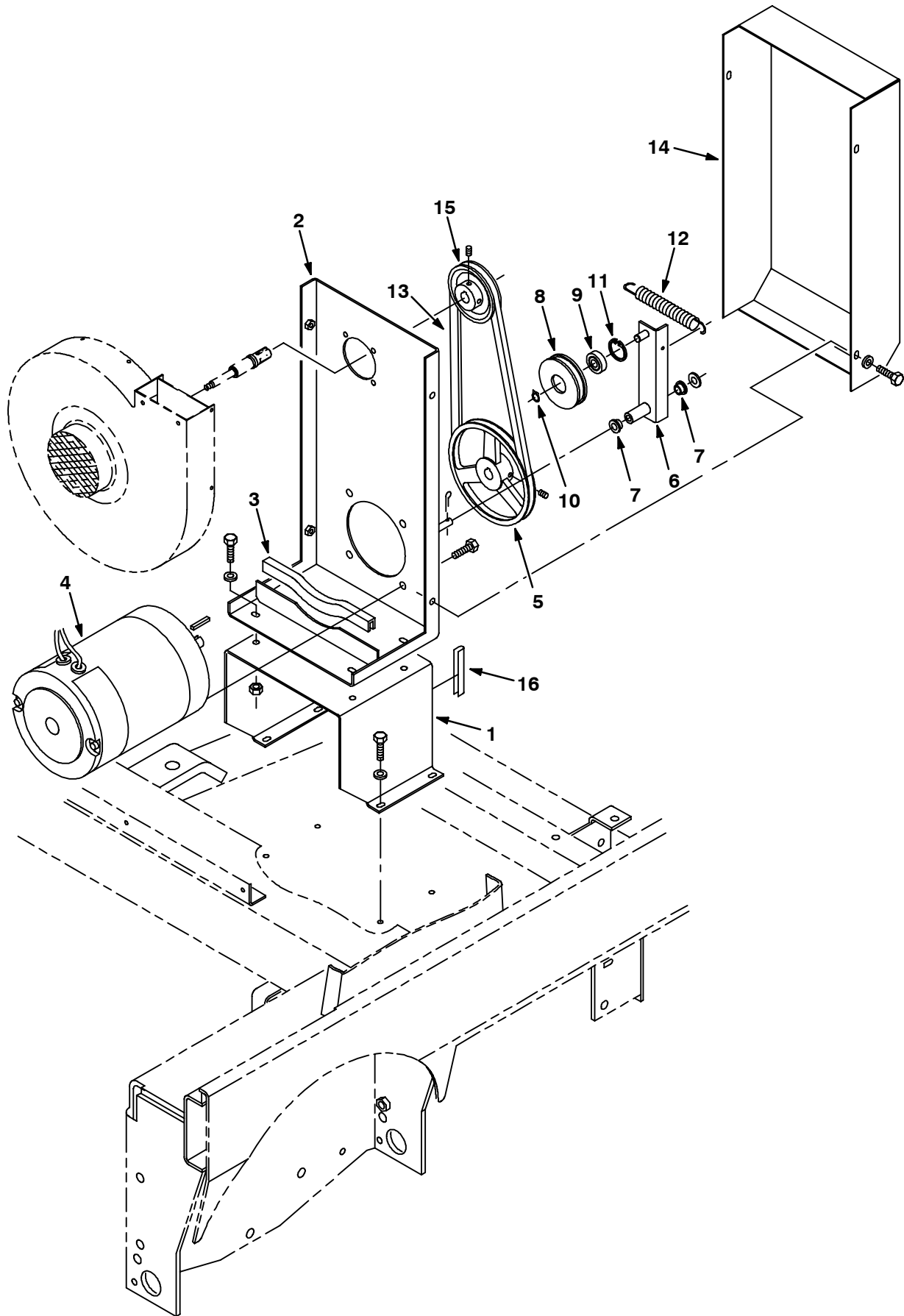


Fig. 31 - Vacuum Fan Drive Group

Ref.	Part No.	Serial Number	Description	Qty.
1	59046	(000000-) Bracket, Mtg, Fan	1
2	59100	(000000-) Plate Wldt, Mtg, Fan	1
3	28413	(000000-) Strip, Rubber	1
4	16224	(000000-009326) Motor, Ele 1 Hp (See Breakdowns) (Repl. by 377425AM)	1
4	377425	(009327-) Motor, Ele, 36Vdc 1.00Hp 2200Rpm 28.0A	1
5	59048	(000000-) Sheave, 3L, 1Gr, 6.00Pd0.625ld	1
6	27909	(000000-) Arm Wldt, Idler	1
7	05582	(000000-) Bearing, Flg. .375 Bore	2
8	45430	(000000-) Pulley, Idler	1
9	01845	(000000-) Bearing-Ball,0.39B 1.18D 0.35W	1
10	01543	(000000-) Ring,Retain,Ex,0.39Od,Basic	1
11	20020	(000000-) Ring,Retain,In,1.18ld,Basic	1
12	41698	(000000-) Sprng,Tens,0.75Odx.08Wire 4.5L	1
13	59077	(000000-) Belt, V	1
14	59047	(000000-) Cover, Belt, Fan	1
15	59043	(000000-) Sheave, 3L 2.9 Pd	1
16	62595-18	(000000-) Molding, Trim 11-14Ga 3.00	2

Fig. 32 - Hydraulic Schematic

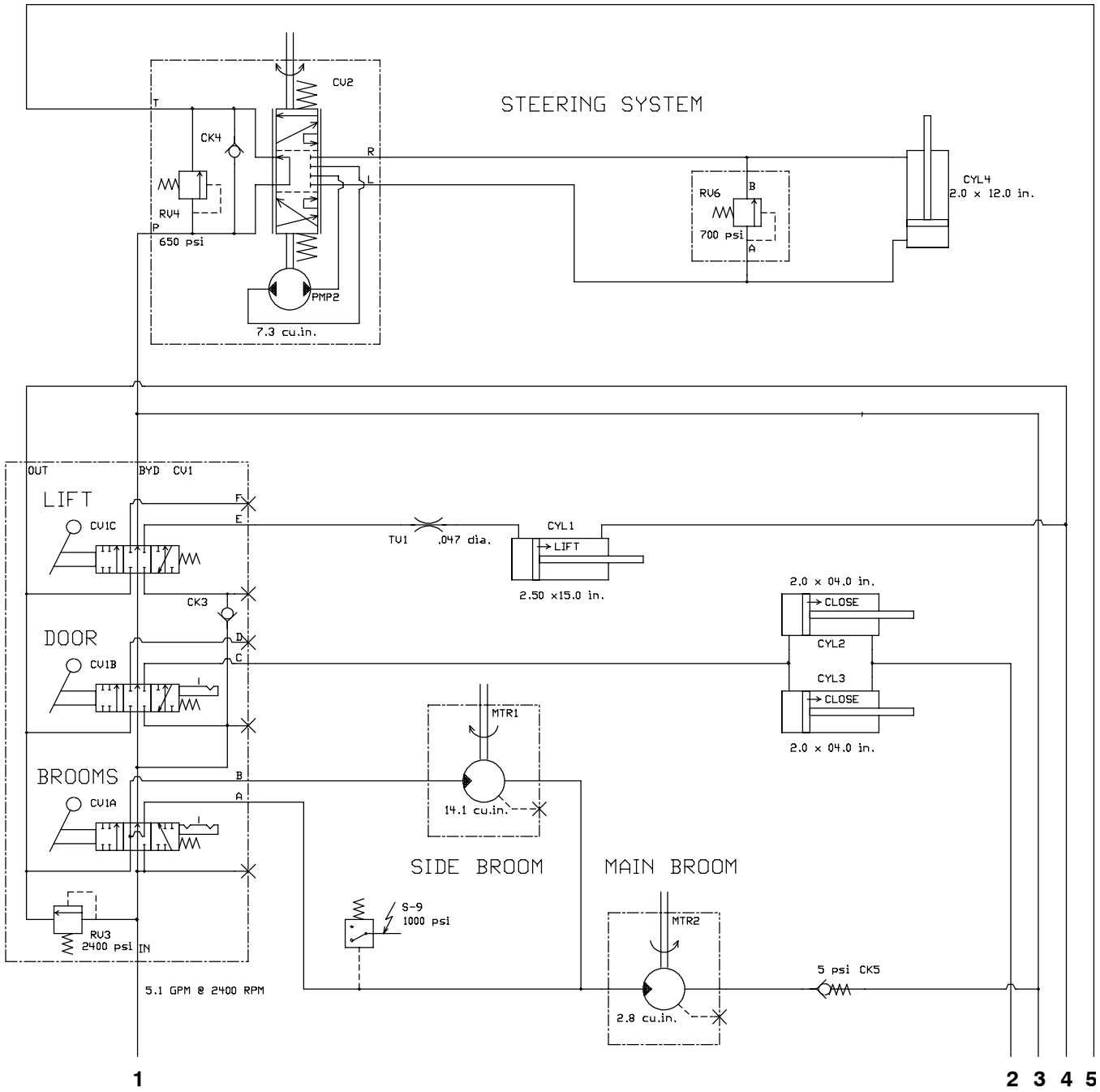


Fig. 32 - Hydraulic Schematic

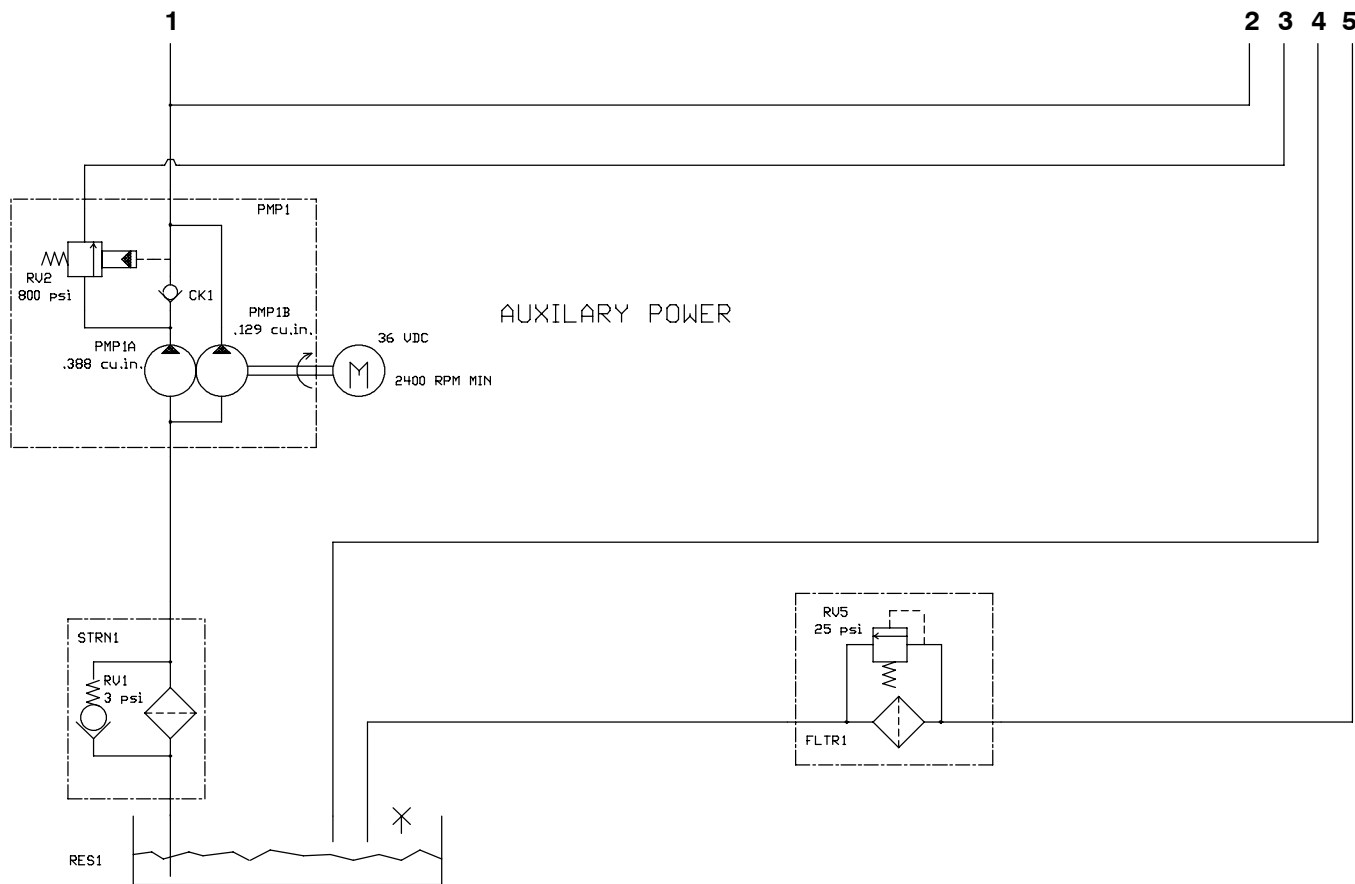


Fig. 33 - Hydraulic Hose Group

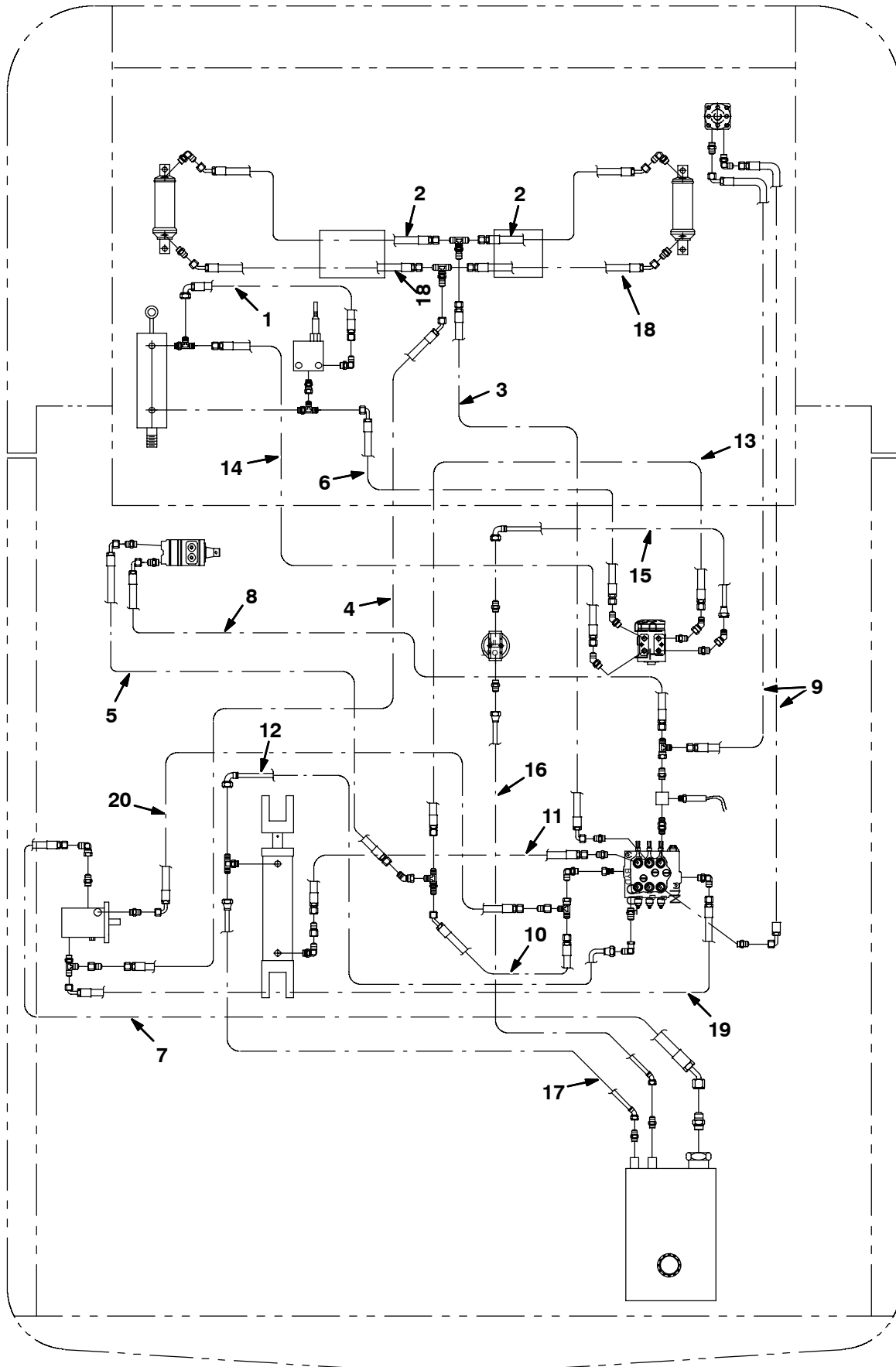


Fig. 33 - Hydraulic Hose Group

Ref.	Part No.	Serial Number	Description	Qty.
1	01998	(000000-) Hose-Hyd Med06 Jf/J9	1
2	19644	(000000-) Hose-Hyd Med04 Jf/J4	2
3	57964	(000000-) Hose-Hyd Med04 Jf/J9	1
4	71551	(000000-) Hose-Hyd Med04 Jf/J4	1
5	82818	(000000-) Hose-Hyd Med08 Jf/J9	1
6	71552	(000000-) Hose-Hyd Med06 Jf/J9	1
7	71553	(000000-) Hose-Hyd Low12 Jf/J4	1
8	57487	(000000-) Hose-Hyd Med08 Jf/J9	1
9	71554	(000000-) Hose-Hyd Med08 Jf/J9	2
10	71555	(000000-) Hose-Hyd Med08 Jf/J4	1
11	55691	(000000-) Hose-Hyd Med04 Jf/Jf	1
12	16474	(000000-) Hose-Hyd Low04 Jf/J9	1
13	55693	(000000-) Hose-Hyd Med08Jf/Jf	1
14	49943	(000000-) Hose-Hyd Med06 Jf/Jf	1
15	71557	(000000-) Hose-Hyd Low08 Jf/J9	1
16	71558	(000000-) Hose-Hyd Low08 Jf/J4	1
17	71559	(000000-) Hose-Hyd Low04 Jf/J4	1
18	57173	(000000-) Hose-Hyd Med04 Jf/J4	2
19	55697	(000000-) Hose-Hyd Med08 Jf/J9	1
20	31566	(000000-) Hose-Hyd Med06 Jf/J9	1

Fig. 34 - Hydraulic Reservoir Group

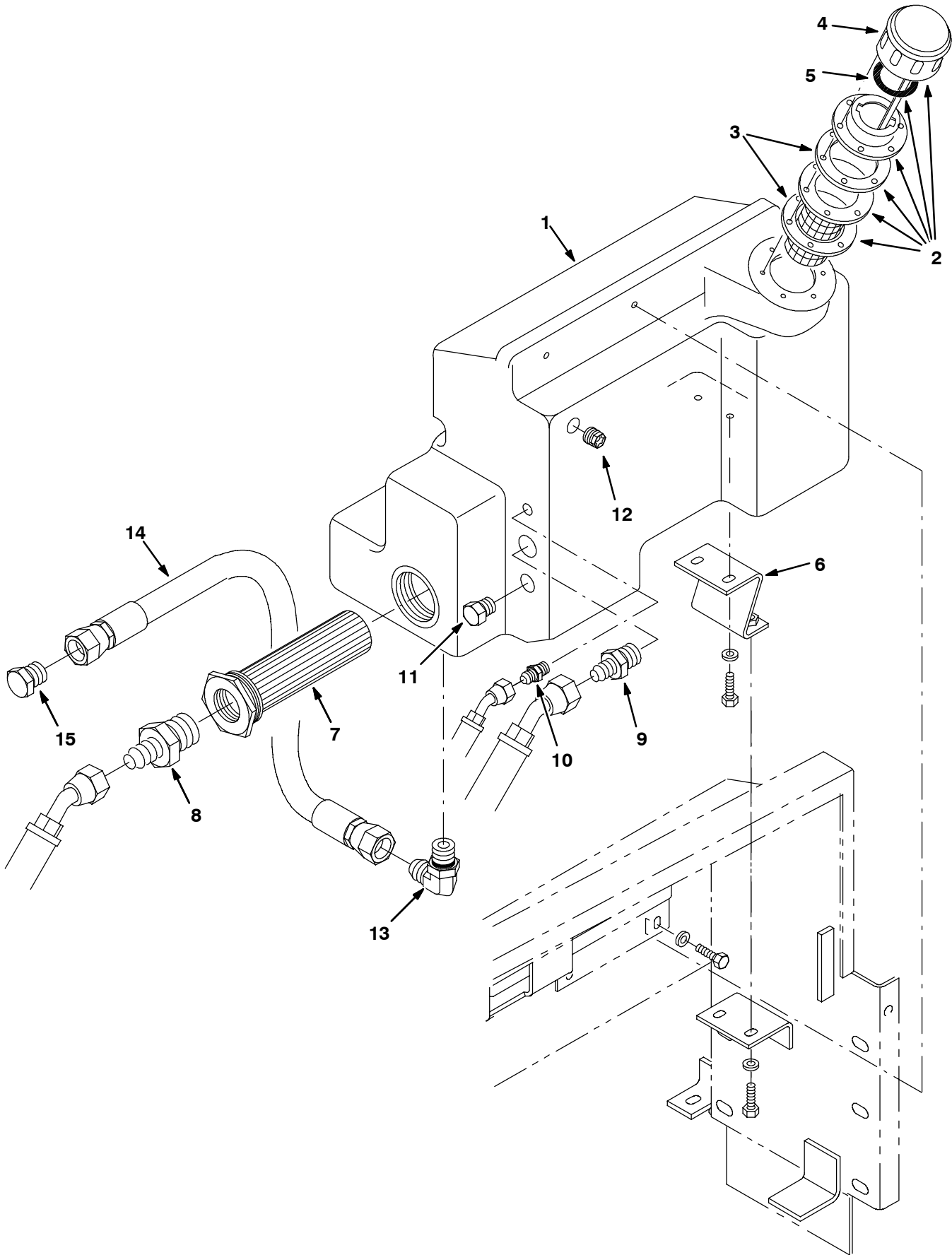


Fig. 34 - Hydraulic Reservoir Group

Ref.	Part No.	Serial Number	Description	Qty.
	1	54117	(000000-) Tank, Hydraulic, Nylon	1
▽	2	53898	(000000-) Breather, Hyd 6Psi Fill 2.4"	1
▲	3	61288	(000000-) Gasket, Hyd Tank Breather	2
▲	4	25122	(000000-) Breather, Hyd Cap 40 Mic 2.4 Ds	1
▲	5	70006	(000000-) Hyd Cap Gasket Lh	1
	6	59839	(000000-) Bracket, Mtg, Tank	1
	7	31613	(000000-) Strainer-Hyd Suction 25-100-03	1
	8	71562	(000000-) Ftg-Hyd Str Jm12/Om20	1
	9	42227	(000000-) Ftg-Hyd Str Jm08/Om12	1
	10	55685	(000000-) Ftg-Hyd Str Jm04/Om06	1
	11	40362	(000000-) Ftg-Hyd Plg Om10	1
	12	53900	(000000-) Gauge, Fluid Level	1
	13	56821	(000000-) Ftg-Hyd E90 Jm08/Om10	1
	14	13115	(000000-) Hose-Hyd Low08 Jf/Jf	1
	15	16376	(000000-) Ftg-Hyd Plg Jm08	1

Fig. 35 - Hydraulic Valve Group

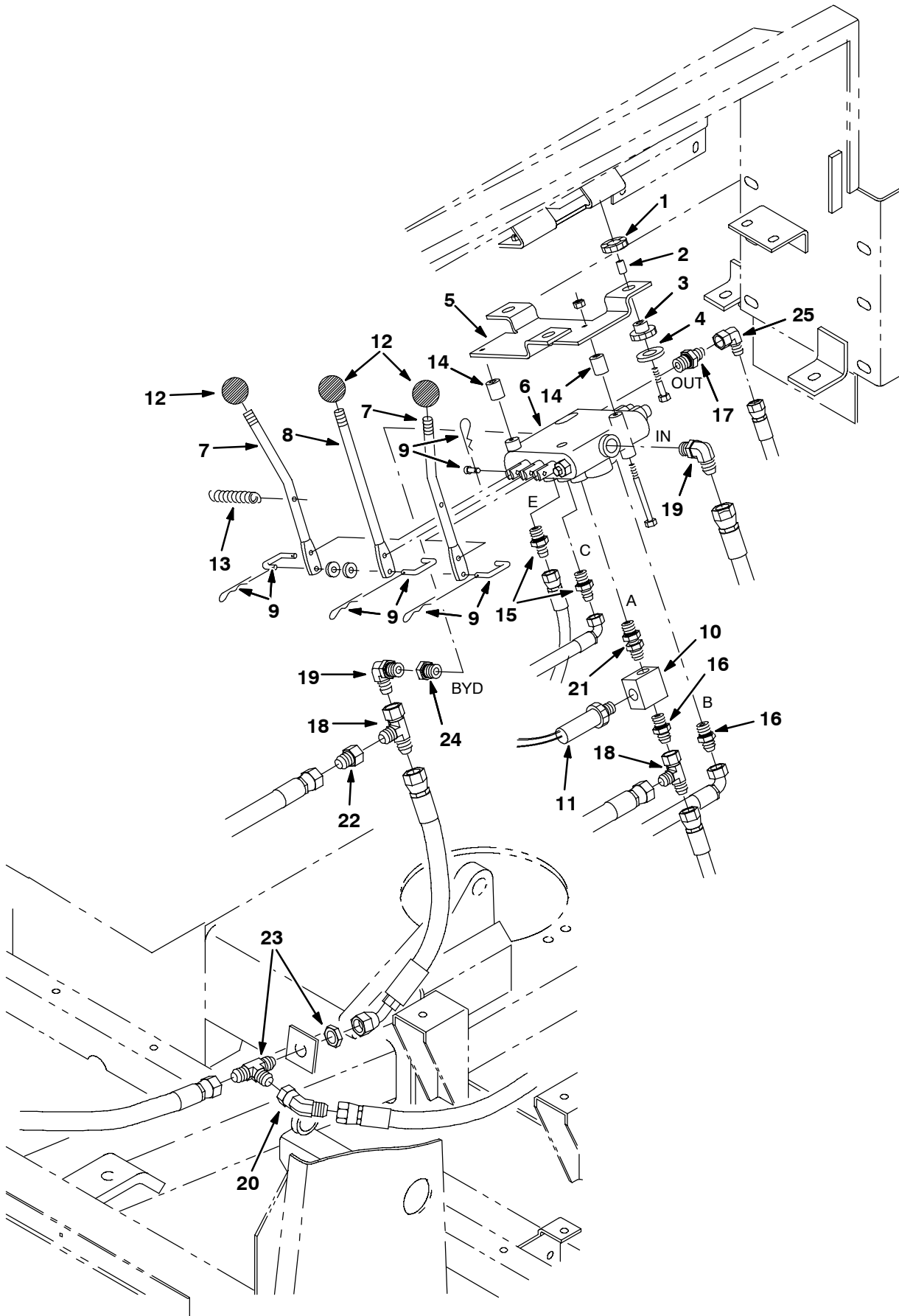
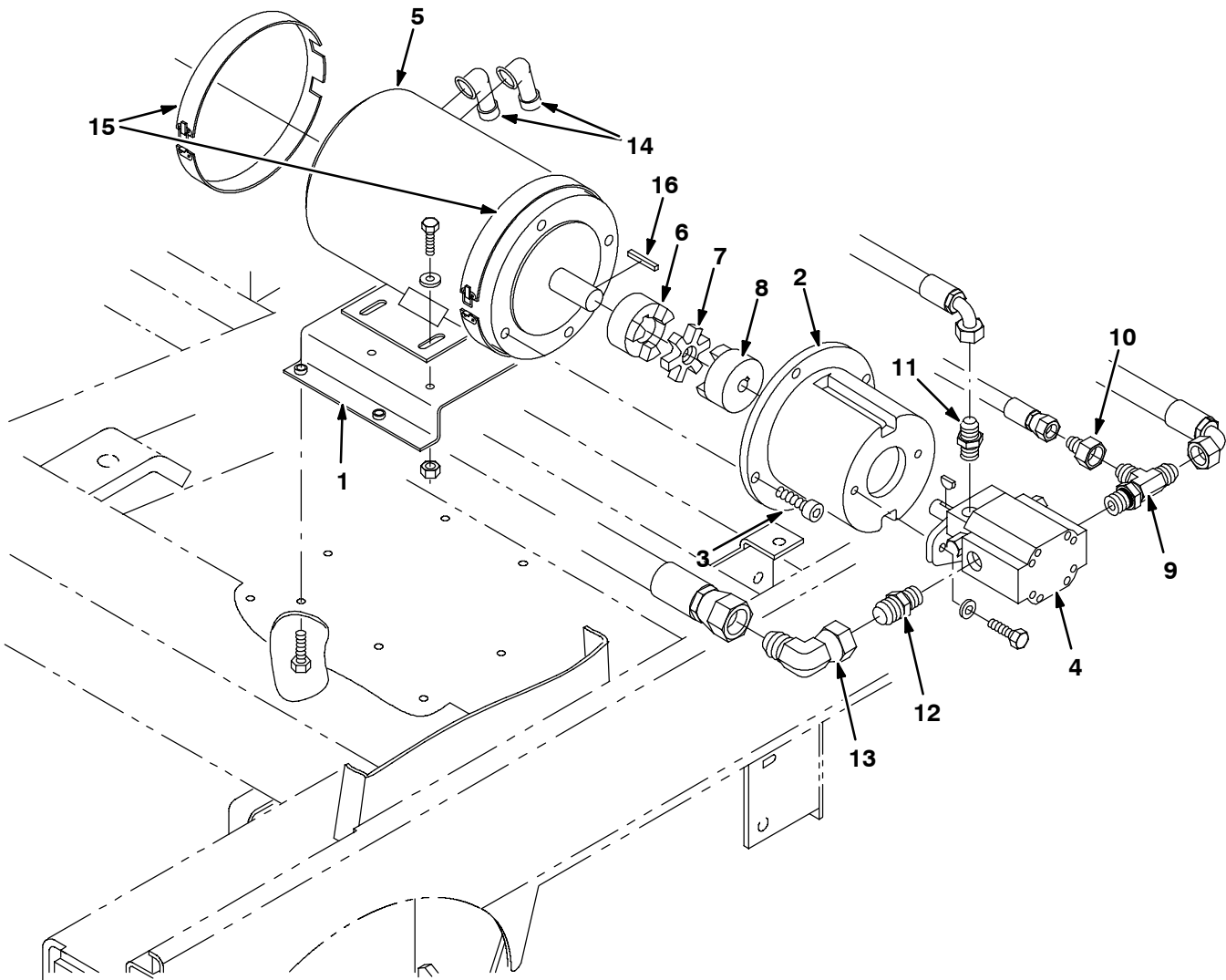


Fig. 35 - Hydraulic Valve Group

	Ref.	Part No.	Serial Number	Description	Qty.
▽		69910	(000000-) Isolator Assy, Valve	1
▲	1	62172	(000000-) Ring	3
▲	2	64905	(000000-) Sleeve, .259B .38D .62 Dom	3
▲	3	62173	(000000-) Bushing, Isolator-Inner,Rbr.	3
▲	4	30013	(000000-) Washer-Flt .31 Fender Pltd	3
	5	55446	(000000-) Bracket, Mtg, Valve	1
	6	48751	(000000- xxxxxx) Valve, Hyd (Repl. By 374546) (See Breakdowns)	1
	6	1019961	(xxxxxx -) Valve, Hyd, Mnl, 3 Spool, 10Gpm, 2150Psi	1
	7	54115	(000000- xxxxxx) Handle, Control Valve	2
	7	374549	(xxxxxx -) Handle, Valve	2
	8	54102	(000000- xxxxxx) Handle, Control Valve	1
	8	374548	(xxxxxx -) Handle, Valve	1
	9	48760	(000000-) Link Assy, Valve Handle	3
	10	391853	(000000-) Ftg-Hyd Tee Special Of06Of0f	1
	11	56277	(000000-) Switch Assy, Pressure, Hyd	1
	12	59530	(000000-) Knob, 1.375 Dia, Black	3
	13	59870	(000000-) Spring,Tens, .50Dx.05Wire 2.5L	1
	14	09900-1	(000000-) Sleeve, .260B .50D .75	2
	15	55685	(000000-) Ftg-Hyd Str Jm04/Om06	2
	16	56835	(000000-) Ftg-Hyd Str Jm08/Om06	2
	17	55686	(000000-) Ftg-Hyd Str Jm04/Om08	1
	18	45482	(000000-) Ftg-Hyd Tee Jm08Jmjf	2
	19	44868	(000000-) Ftg-Hyd E90 Jm08/Om08	2
	20	07797	(000000-) Ftg-Hyd E45 Jm08/Jf08	1
	21	391852	(000000-) Ftg-Hyd Str Special Om06/Om06	1
	22	47753	(000000-) Ftg-Hyd Str Jm06/Jf08	1
	23	57978	(000000-) Ftg-Hyd Tee Jm08Jmjmb	1
▽	24	79823	(000000-) Plug Assy, Byd	1
▲		84624	(000000-) Seal, Oring .103 x .612ld	1
	25	39210	(000000-) Ftg-Hyd E90 Jm04/jf04	1

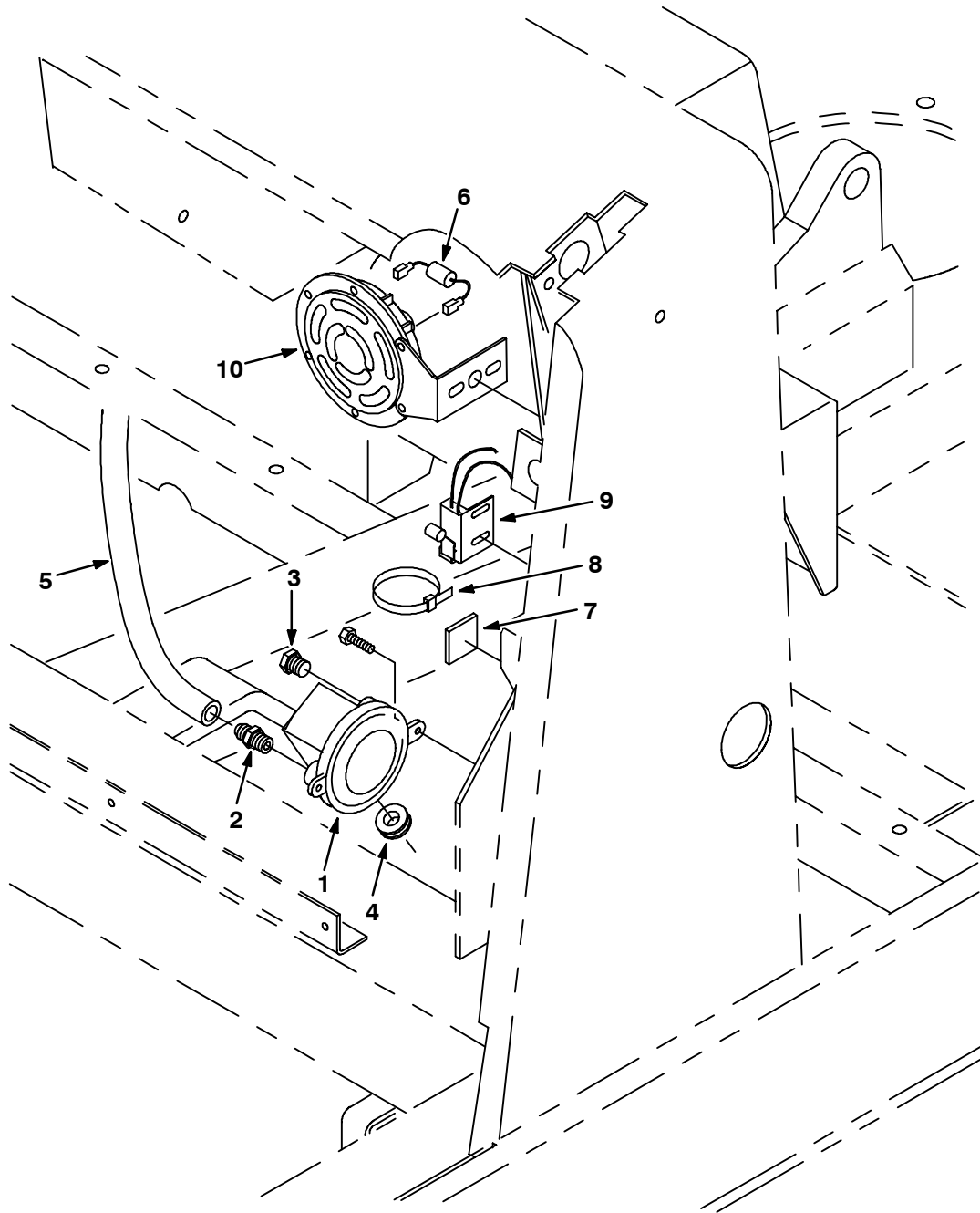
Fig. 36 - Hydraulic Pump and Motor Group



351842 - 6550E

Ref.	Part No.	Serial Number	Description	Qty.
1	84599	(000000-) Bracket, Mtg, Motor	1
2	57827	(000000-) Adaptor, Pump Drive, Mach	1
3	10829	(000000-) Scr Soc .38-16X0.75	4
4	70243	(000000-) Pump-Hyd Gear (See Breakdowns)	1
5	360175	(000000-) Motor, Ele (See Breakdowns)	1
6	84585	(000000-) Coupling, Flex	1
7	59742	(000000-) Spacer, Flex	1
8	59740	(000000-) Coupling, Flex	1
9	40755	(000000-) Ftg-Hyd Tee Jm08Jmom	1
10	57979	(000000-) Ftg-Hyd Str Jm04/Jf08	1
11	50960	(000000-) Ftg-Hyd Str Jm06/Om04	1
12	06750	(000000-) Ftg-Hyd Str Jm12/Om10	1
13	35033	(000000-) Ftg-Hyd E90 Jm12/Jf12	1
14	02076	(000000-) Cover, Terminal	2
15	374512	(000000-) Band Kit, EE	1
16	00915	(000000-) Key, Square	1

Fig. 37 - Pressure Switch and Horn Group



07981 - 6550E

Ref.	Part No.	Serial Number	Description	Qty.
1	39924	(000000-) Switch, Pressure	1
2	40607	(000000-) Ftg-Brs Str Bm03/Pm02	1
3	82739	(000000-) Ftg, Breather	1
4	10632-4	(000000-) Grommet, Rbr, 0.62Id, For .06Matl	1
5	379719	(000000-) Hose, Vacuum	1
6	71533	(000000-) Diode Assy	1
7	55248	(000000-) Cabletie Mount, Adhesive	5
8	49266	(000000-) Tie, Cable 1.75D Max 7.50Lg	10
9	59962	(000000-) Switch Assy, Roller	1
10	369702	(000000-) Horn, 36Vdc, Dba	1

Fig. 38 - Back-Up Alarm Group, LRC

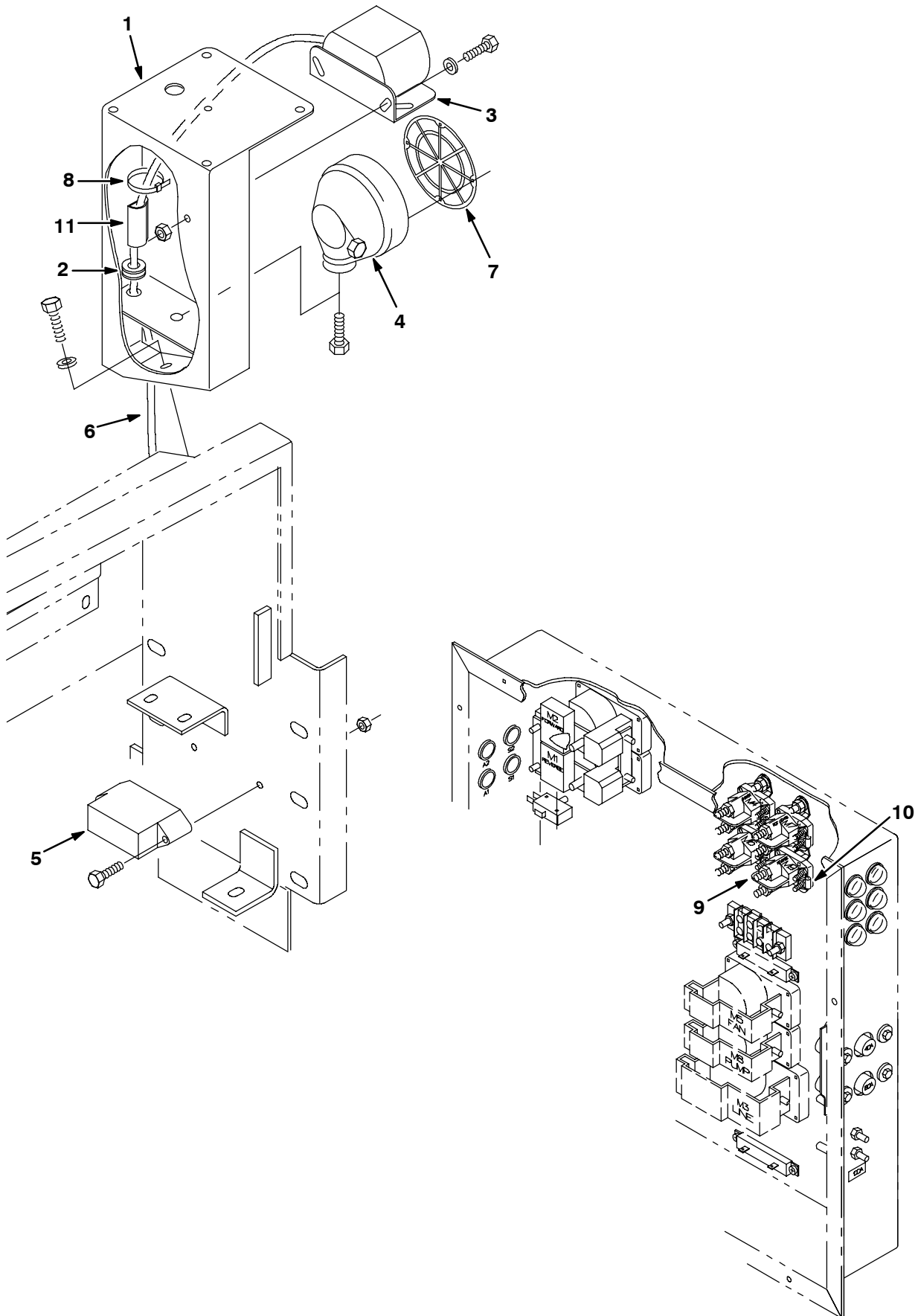


Fig. 38 - Back-Up Alarm Group , LRC

	Ref.	Part No.	Serial Number	Description	Qty.
▽		71503	(000000-) Alarm Kit Bu A/V 355E	1
▲	1	59944	(000000-) Bracket Wldt, Light, Rotating	1
▲	2	10632-9	(000000-) Grommet,Rbr,0.56ld,For .13Matl	1
▲	3	72171	(000000-) Horn Assy, Back-Up Alarm	1
▲▽	4	72172	(000000-) Light Assy, Back-Up	1
▲▲		45391	(000000-) Light, Head/Rnd 36V 1.7A #4350	1
▲	5	72164	(000000-) Flasher, 12-48 VDC	1
▲	6	71548	(000000-) Harness, Alarm, Backup 355E	1
▲	7	72174	(000000-) Guard, Light	1
▲	8	49266	(000000-) Tie, Cable 1.75D Max 7.50Lg	5
▲		55248	(000000-) Mount, Cable Tie	2
▲	9	386810	(000000-) Relay, 36Vdc, 100A, Sp N/O [White]	1
▲	10	49157	(000000-) Diode Assy	1
▲	11	65526	(000000-) Duct, Vinyl 1.5x.75x3.0	2

Fig. 39 - Control Box Cable Group

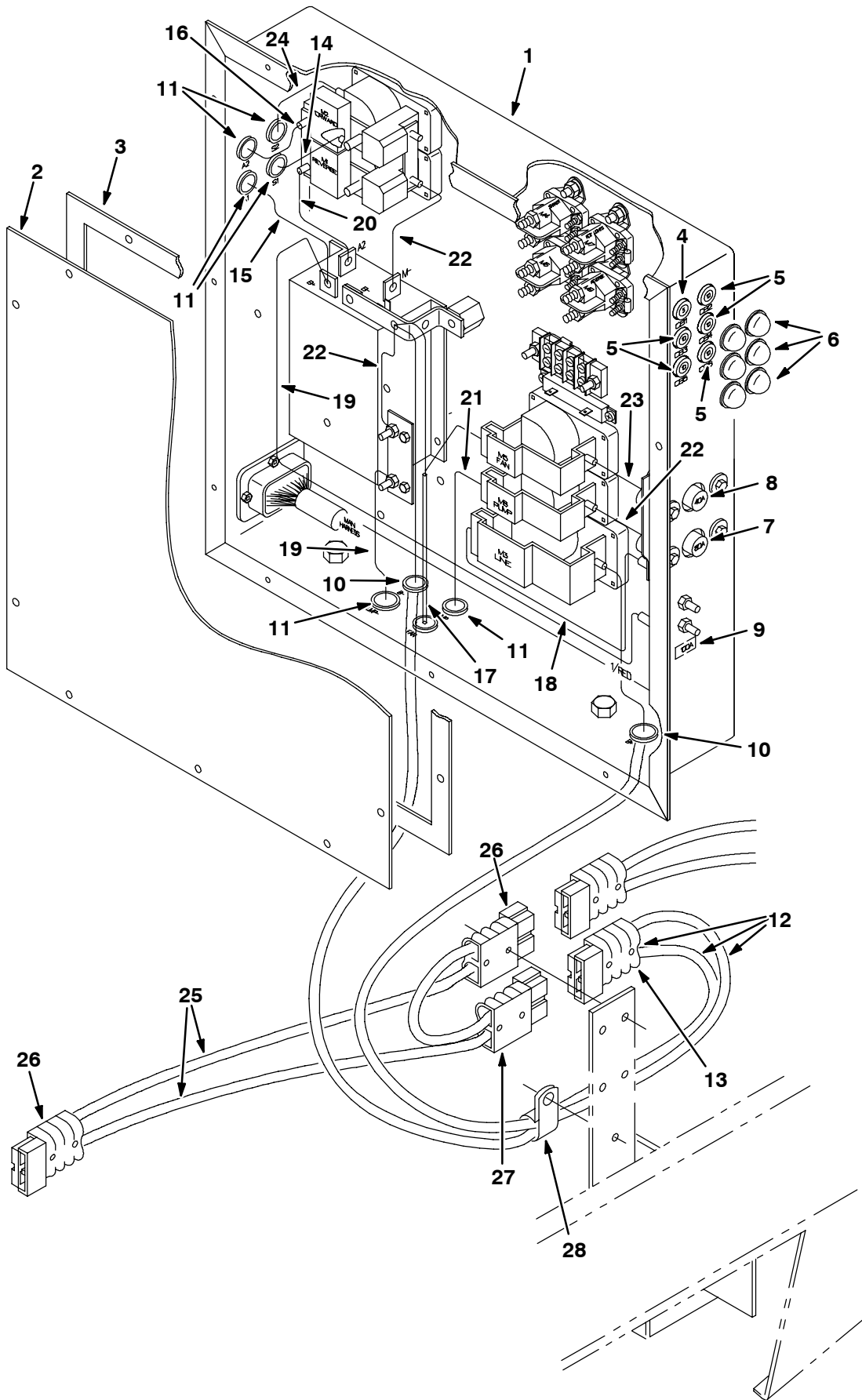
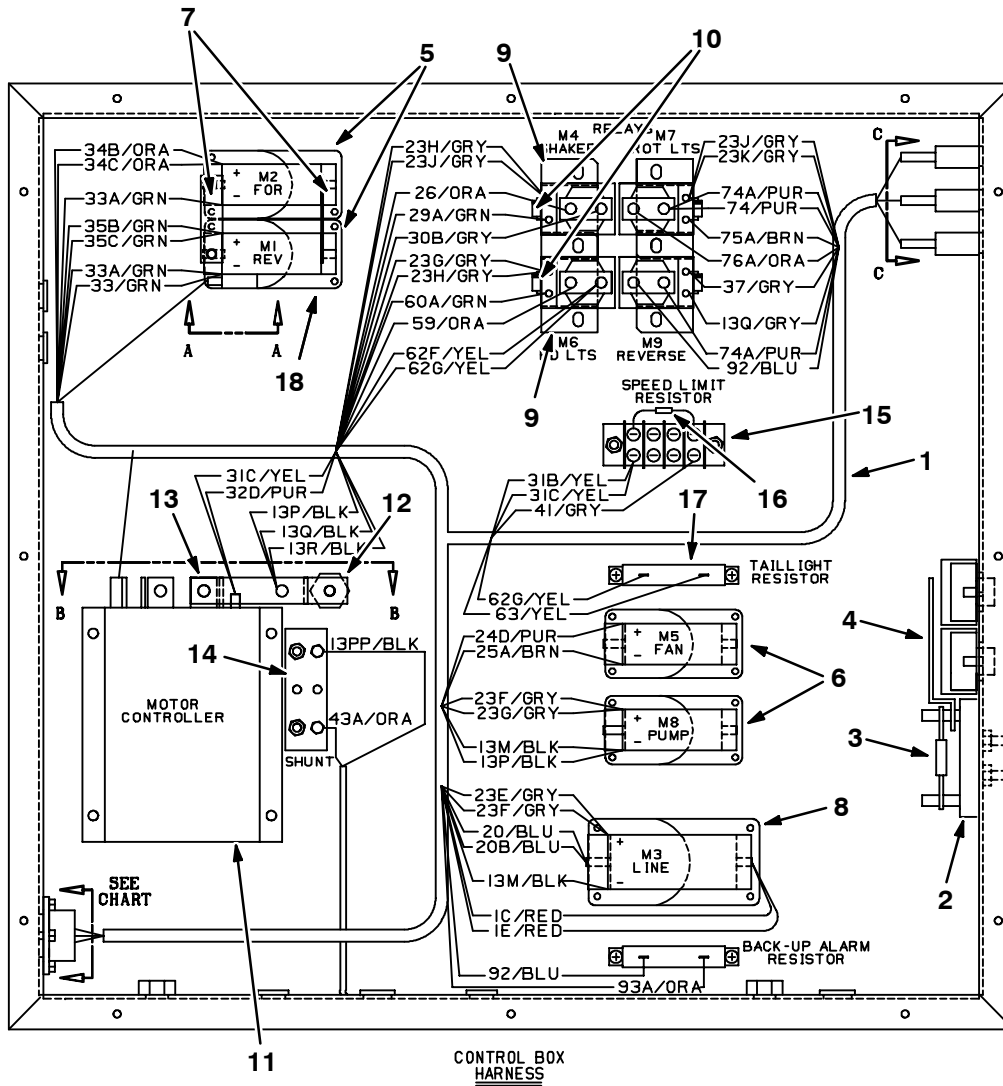


Fig. 39 - Control Box Cable Group

Ref.	Part No.	Serial Number	Description	Qty.
1	71572	(000000-) Box, Electrical w/label	1
2	71573	(000000-) Plate, Cover w/label	1
3	59986	(000000-) Gasket, Cover	1
4	27920	(000000-) Breaker-Circuit, 5 Resetbl	1
5	57164	(000000-) Breaker-Circuit, 10 Resetbl	5
6	57751	(000000-) Boot-Circuit Breaker	6
7	71534	(000000-) Breaker-Circuit, 90 Amp Reset	1
8	375118	(000000-) Breaker-Circuit, 40 Resetbl	1
9	50257	(000000-) Decal, Fuse 100 Amp	1
10	10632-17	(000000-) Grommet,Rbr,0.50ld,For .12Matl	2
11	59999	(000000-) Grommet,Rbr,0.44ld,For .12Matl	6
▽	12	59994	(000000-) Harness, Controller	1
▲	13	22892	(000000-) Connector, Andersn 175Amp,Gray	1
14	86396	(000000-) Wire Assy, 60.0 Lg., 4 Ga.	1
15	71527	(000000-) Wire Assy, 60.0 Lg., 4 Ga.	1
16	71528	(000000-) Wire Assy, 56.0 Lg, 4 Ga	1
17	59995	(000000-) Harness, Fan	1
18	59996	(000000-) Wire Assy, 13.0 Lg, 2 Ga	1
19	71529	(000000-) Wire Assy, 32.0 Lg, 4 Ga	2
20	86393	(000000-) Wire Assy, 9.0 Lg., 4 Ga.	1
21	71530	(000000-) Wire Assy, 30.0 Lg, 4 Ga	1
22	71531	(000000-) Wire Assy, 7.0 Lg., 4 Ga.	3
23	18778	(000000-) Wire Assy, 7.0 Lg., 6 Ga.	1
24	86395	(000000-) Wire Assy, 60.0 Lg., 4 Ga.	1
▽	25	59993	(000000-) Harness, Battery	1
▲	26	47985	(000000-) Connector, Andersn 175Amp,Orng	2
▲	27	22892	(000000-) Connector, Andersn 175Amp,Gray	1
28	69234	(000000-) Clamp-Cable, 1.00Dia. .62Wth	1

Fig. 40 - Control Box Contactor Group



PIN NO	WIRE NO
1	2B
2	4A
3	23E
4	24D
5	25A
6	29A
7	30B
8	PLUG ITEM 3
9	31B
10	32D
11	PLUG ITEM 3
12	34B
13	35B
14	36C
15	PLUG ITEM 3
16	41
17	PLUG ITEM 3
18	60A
19	62F
20	63
21	75A
22	76A
23	93A
24	13R

CONNECTOR WIRING CHART

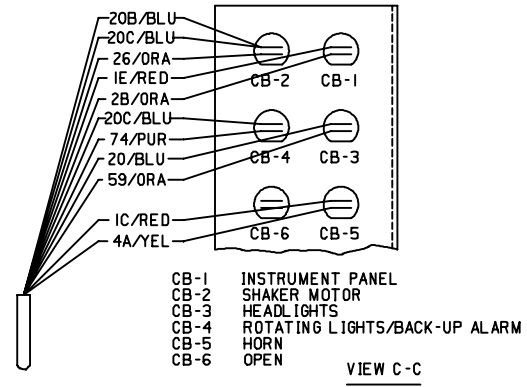
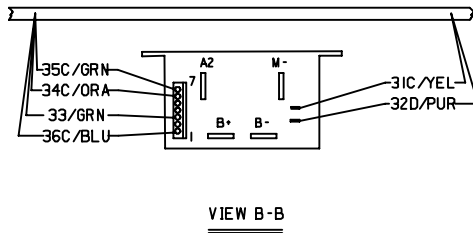
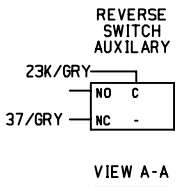


Fig. 40 - Control Box Contactor Group

Ref.	Part No.	Serial Number	Description	Qty.
1	59980	(000000-) Harness, Control Box	1
2	86381	(000000-) Block, Fuse	1
3	86379	(000000-) Fuse, 100 Amp	1
4	86392	(000000-) Busbar	1
5	87482	(000000-) Contactor, 36 Volt/Spdt	1
6	86375	(000000-) Contactor, 36 Volt/Spno	2
7	87483	(000000-) Busbar, Relay	2
8	59992	(000000-) Contactor, 36V, Spno, 200A	1
9	386810	(000000-) Relay, 36Vdc, 100A, Sp N/O [White]	2
10	49157	(000000-) Diode Assy	2
11	375304	(000000-) Controller, Adjusted to 200A	1
12	76062	(000000-) Insulator, Panel & Switchboard	1
13	59989	(000000-) Busbar, Ground	1
14	71538	(000000-) Shunt, Lightweight	1
15	26523	(000000-) Terminal Strip	1
16	59125	(000000-) Resistor, 1.62K Ohm	1
17	71539	(000000-) Resistor, 30 Ohm	1
18	72175	(000000-) Contactor, 36 Volt/SPDT	1
	28622	(000000-) Microswitch Kit Cf	1

Fig. 41 - Electrical Schematic

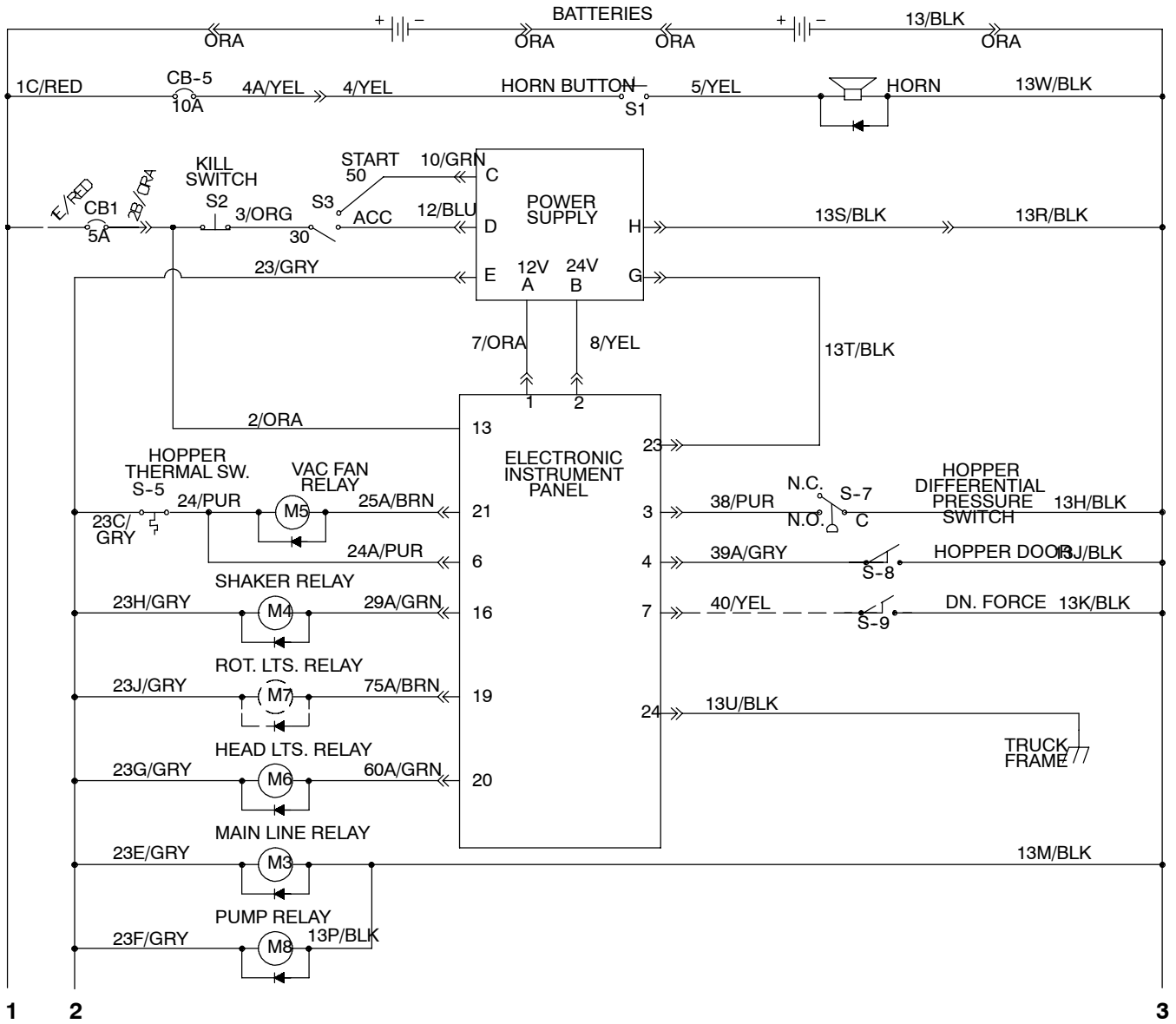


Fig. 41 - Electrical Schematic

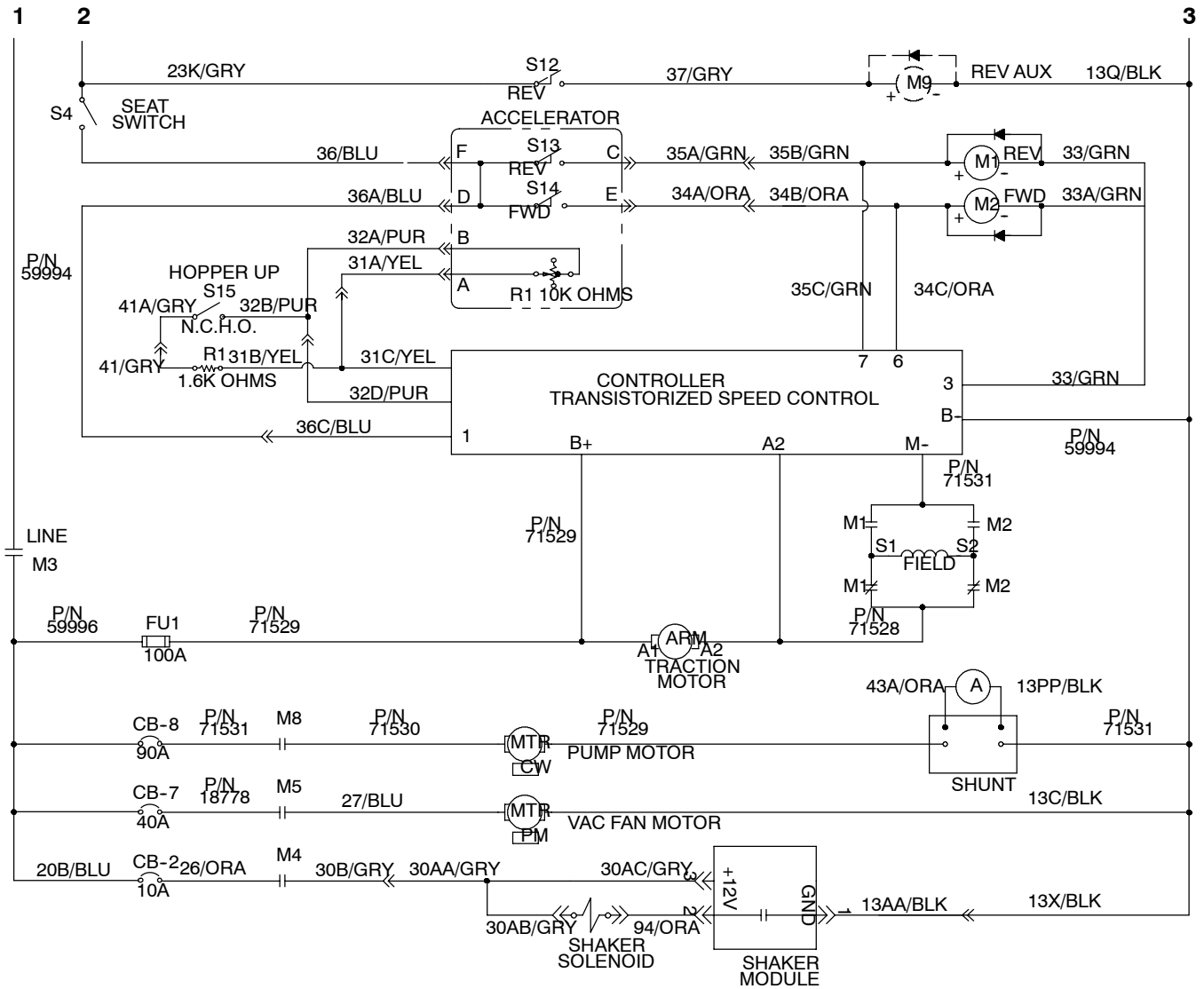
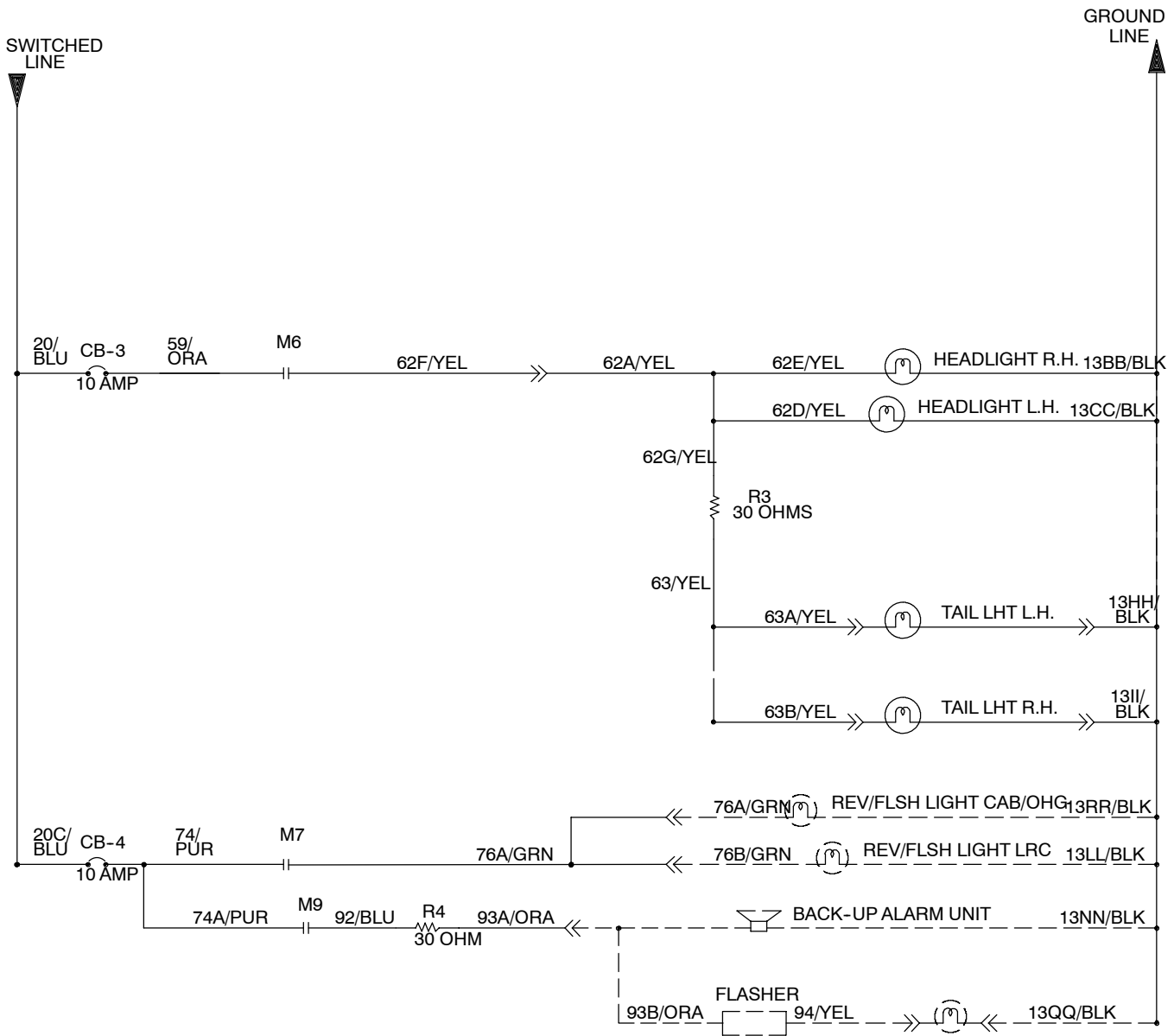


Fig. 41 - Electrical Schematic

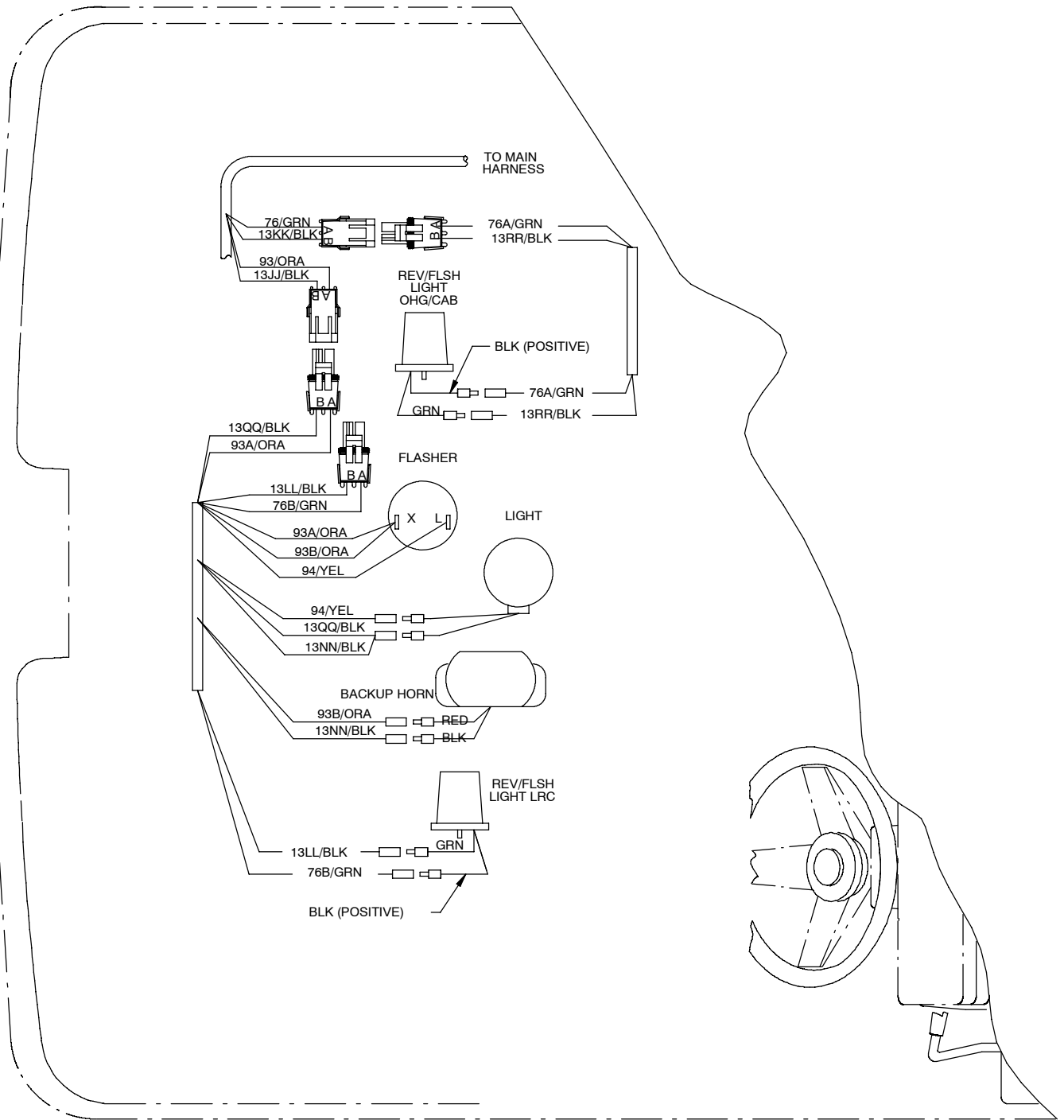


LEGEND

M	POWER RELAY	HM	HOURMETER
MTR	MOTOR	SV	SOLENOID VALVE
CB	CIRCUIT BREAKER	S	SWITCH
PM	PERMANENT MAGNET	ACC	ACCESSORY
J	JACK-FEM. SOCKET	GND	GROUND CHASSIS
P	PLUG-MALE PIN	C	COMMON
R	RESISTOR	N.O.	NORMALLY OPEN
VM	VOLTMETER	N.C.	NORMALLY CLOSED
FU	FUSE		

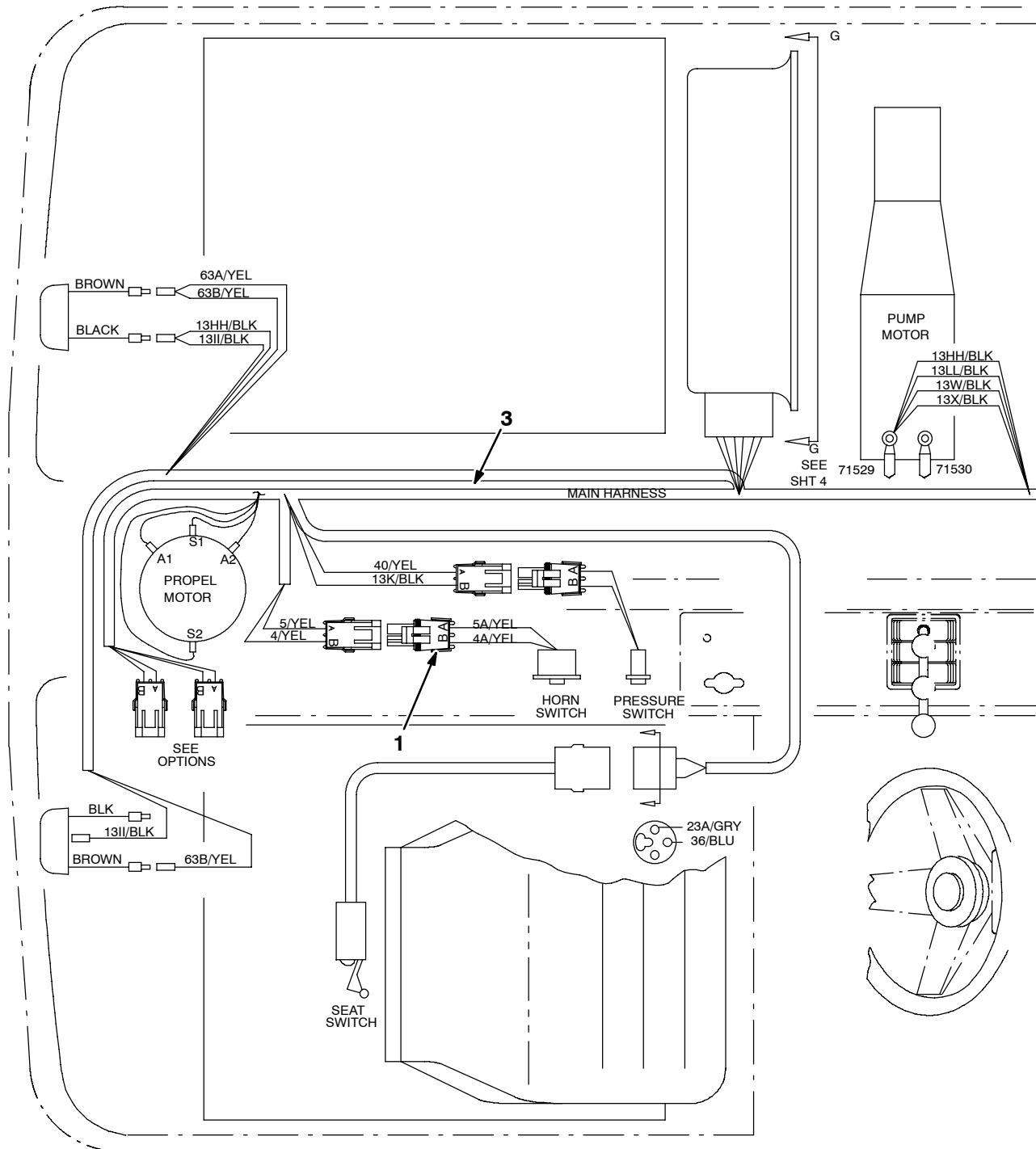
351832

Fig. 42 - Wire Harness Group



OPTIONS

Fig. 42 - Wire Harnesses Group



SOCKET NO.	WIRE NO.	COLOR	SOCKET NO.	WIRE NO.	COLOR	SOCKET NO.	WIRE NO.	COLOR	SOCKET NO.	WIRE NO.	COLOR
1	7	ORA	7	40	YEL	13	2	ORA	19	75	BRN
2	8	YEL	8	PLUG	---	14	PLUG	---	20	60	GRN
3	38	PUR	9	PLUG	---	15	PLUG	---	21	25	BRN
4	39	GRY	10	PLUG	---	16	29	GRN	22	PLUG	---
5	PLUG	---	11	PLUG	---	17	PLUG	---	23	13T	BLK
6	24A	PUR	12	PLUG	---	18	PLUG	---	24	13U	BLK

Fig. 42 - Wire Harnesses Group

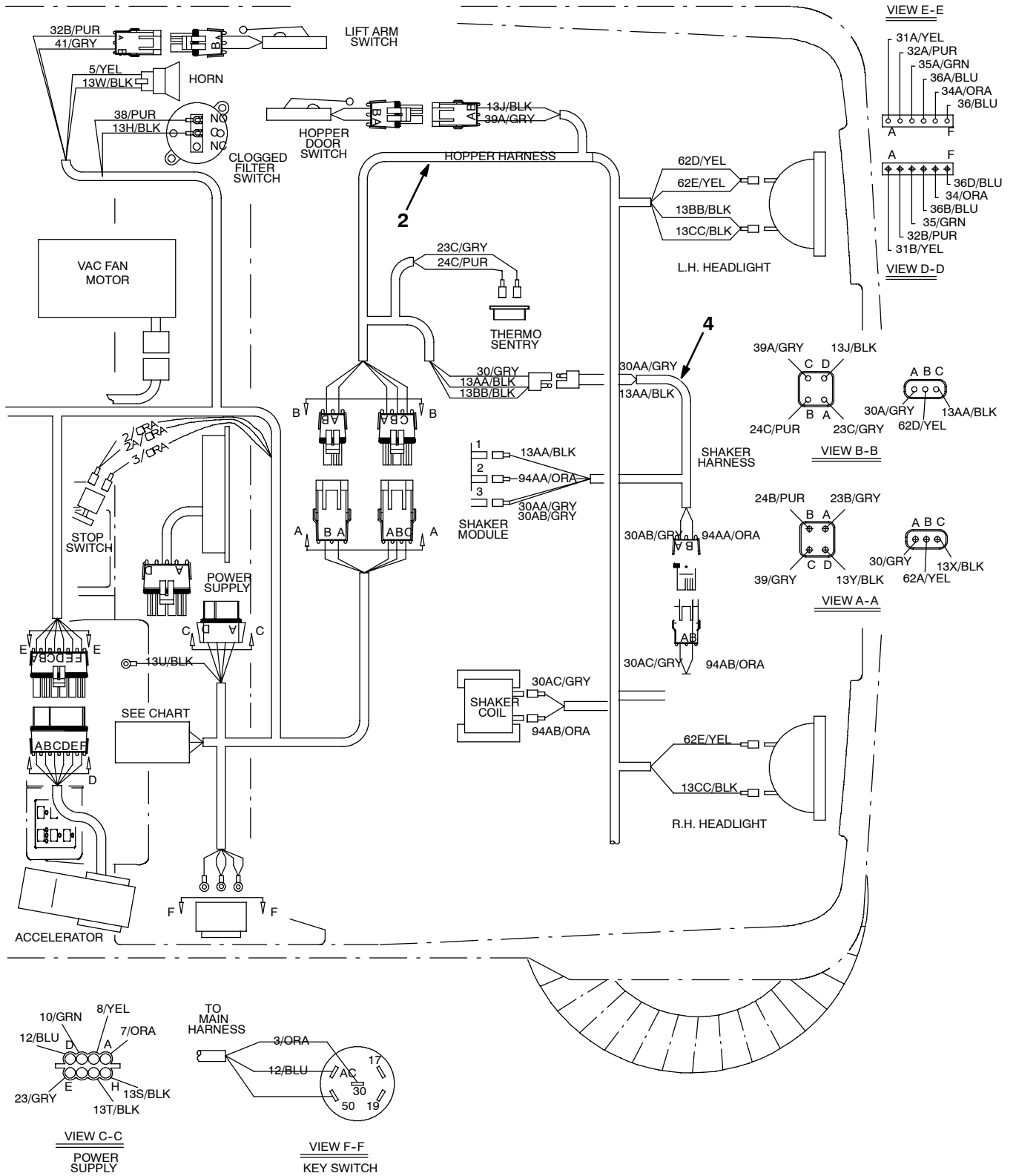
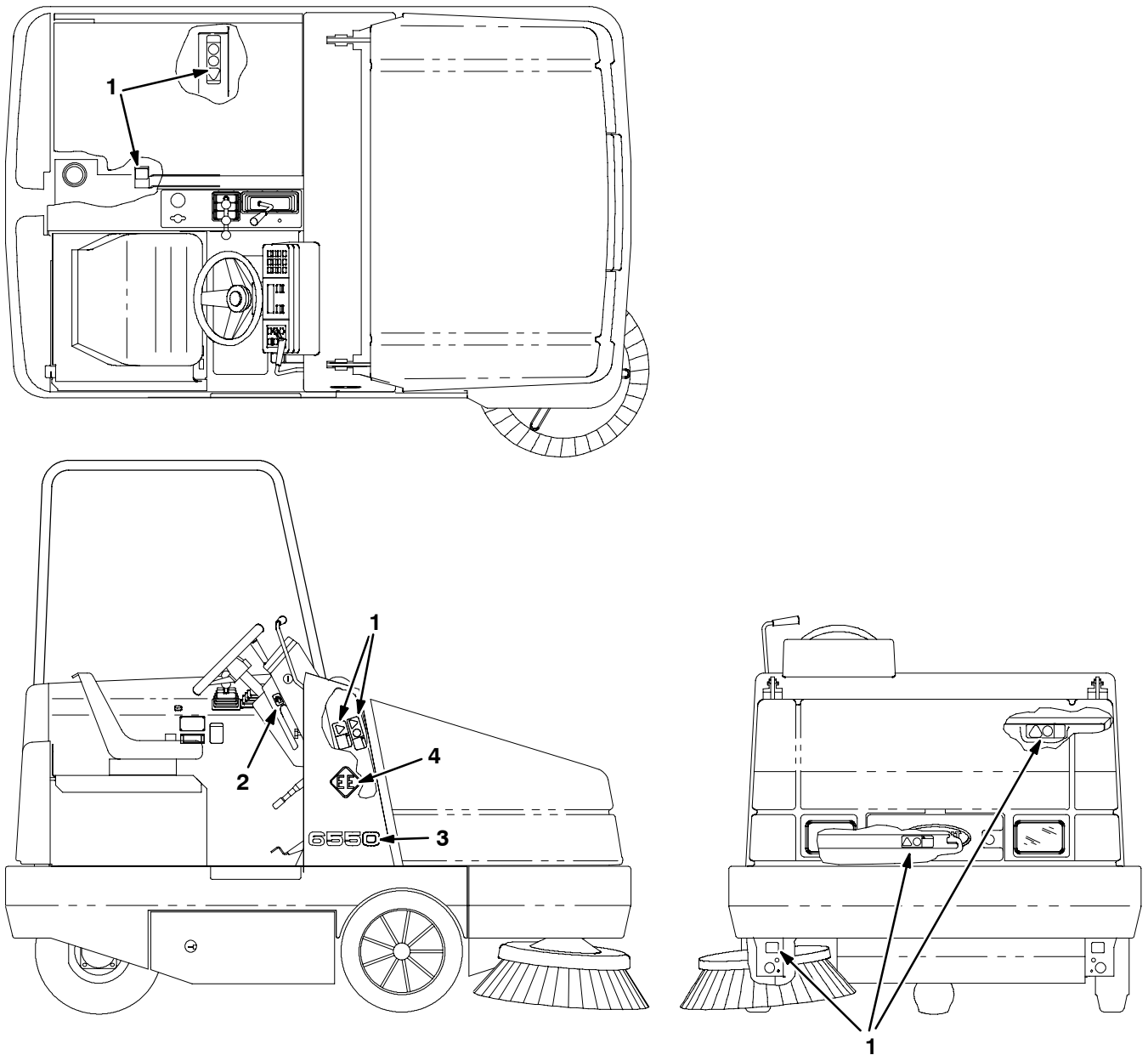


Fig. 42 - Wire Harnesses Group

351834 - 6550E

Ref.	Part No.	Serial Number	Description	Qty.
1	60290	(000000-) Harness, Horn	1
2	60282	(000000-) Harness, Hopper	1
3	59990	(000000-) Harness, Main 355E	1
4	379654	(000000-) Harness, Filter Shaker	1

Fig. 43 - Label Group



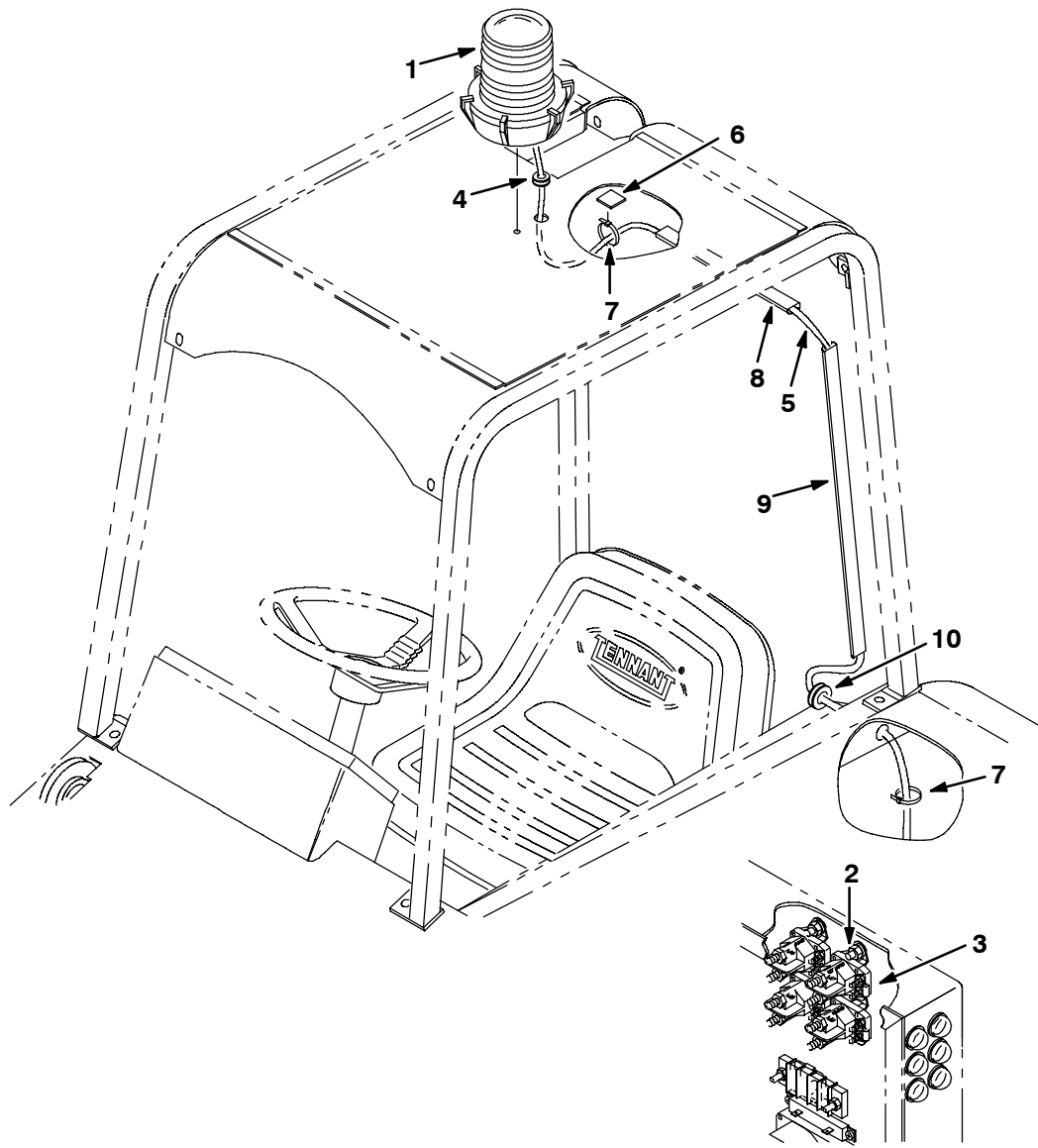
351836 - 6550E, NA

Ref.	Part No.	Serial Number	Description	Qty.
1	71519	(000000-) Label Set, Info & Hazard 6550E	1
2	71518	(000000-) Label Set, Operational 6550E	1
3	379597	(000000-) Label, Numerals 6550	2
4	08823	(000000-) Label, EE	2

SECTION 3

Contents	Page
Fig. 1 - Flashing Light Kit, Overhead Guard	3-2
Fig. 2 - Revolving Light Kit, Overhead Guard . . .	3-3
Fig. 3 - Flashing Light Kit, LRC	3-4
Fig. 4 - Revolving Light Kit, LRC	3-5
Fig. 5 - Adjustable Pedal Kit	3-6
Fig. 6 - Armrest Assembly	3-8
Fig. 7 - Seat Belt Kit	3-9
Fig. 8 - Battery Assembly, Wet	3-10
Fig. 9 - Battery Assembly, EE	3-11
Fig. 10 - Battery Charger Group, 60Hz	3-12
Fig. 11 - Battery Charger Group, 50Hz (International)	3-13
Fig. 12 - Fire Extinguisher Kit	3-14
Fig. 13 - Transport Group	3-15
Fig. 14 - Side Brush Dust Control Kit	3-16
Fig. 15 - Stainless Steel Hopper Group	3-18
Fig. 16 - Documentation Group	3-19

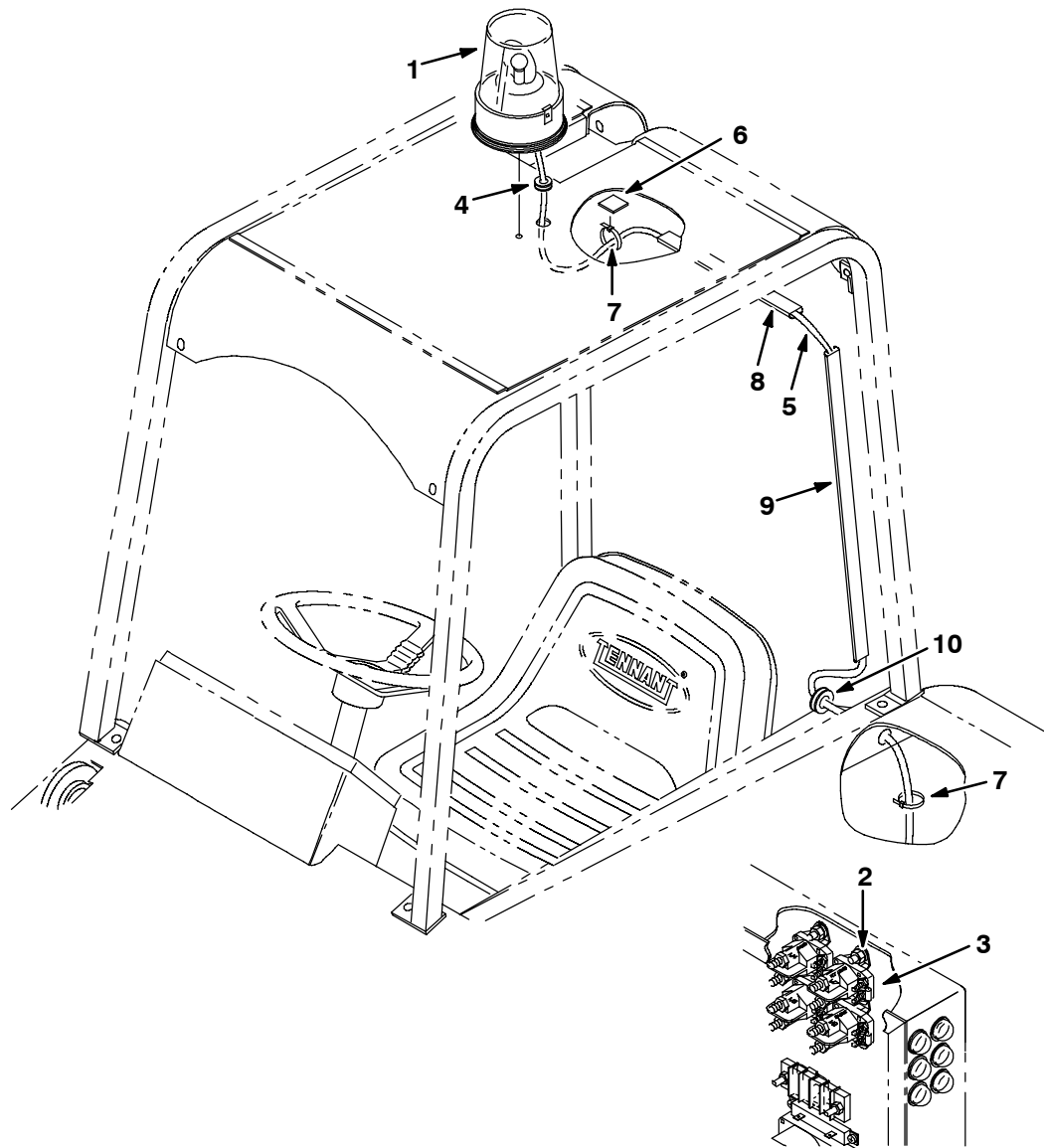
Fig. 1 - Flashing Light Kit, Overhead Guard



07990 - 6550E, JP, NA

Ref.	Part No.	Serial Number	Description	Qty.
▽	71505	(000000-) Light Kit Flsh Ohg 355E	1
▲▽	1 60373	(000000-) Light, Flsh, Amber, 36V,Rework	1
▲▲	58520	(000000-) Lens,Flashing Lite Fr207 Amber	1
▲▲	45283	(000000-) Bulb, 40V .9A 50Cp#1062	1
▲	2 386810	(000000-) Relay, 36Vdc, 100A, Sp N/O [White]	1
▲	3 49157	(000000-) Diode Assy	1
▲	4 10632-2	(000000-) Grommet,Rbr,0.63Id,For .13Matl	1
▲	5 71525	(000000-) Harness, Revol Light 355E	1
▲	6 55248	(000000-) Cabletie Mount, Adhesive	5
▲	7 49266	(000000-) Tie, Cable 1.75D Max 7.50Lg	8
▲	8 86330	(000000-) Duct, Vinyl .40X .75X10.0 .25D	2
▲	9 86332	(000000-) Duct, Vinyl .40X .75X26.0 .25D	1
▲	10 10632-18	(000000-) Grommet,Rbr,0.69Id,For .25Matl	1
	58518	(000000-) Lens,Flashing Lite Fr207 Red	1
	58519	(000000-) Lens,Flashing Lite Fr207 Blue	1

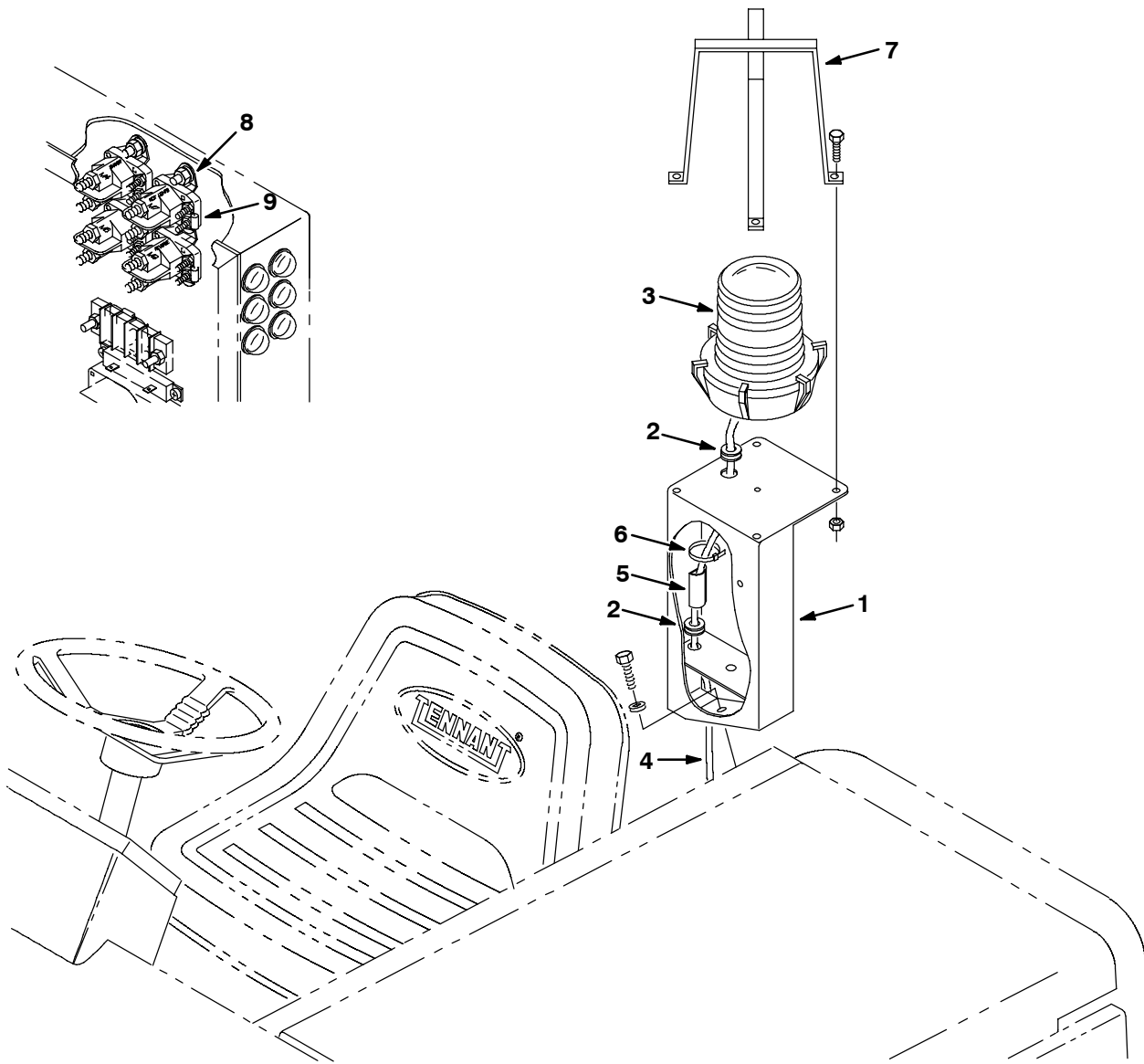
Fig. 2 - Revolving Light Kit, Overhead Guard



07991 - 6550E, JP, NA

Ref.	Part No.	Serial Number	Description	Qty.
▽	71507	(000000-) Light Kit Revl Ohg 355E	1
▲▽	1 87709	(000000-) Light, Rev. Amber 36V-Rework	1
▲▲	44681-1	(000000-) Lens,Rev.Light,Amber	1
▲▲	45283	(000000-) Bulb, 40V .9A 50Cp#1062	1
▲	2 386810	(000000-) Relay, 36Vdc, 100A, Sp N/O [White]	1
▲	3 49157	(000000-) Diode Assy	1
▲	4 10632-2	(000000-) Grommet,Rbr,0.63Id,For .13Matl	1
▲	5 71525	(000000-) Harness, Revol Light 355E	1
▲	6 55248	(000000-) Cabletie Mount, Adhesive	5
▲	7 49266	(000000-) Tie, Cable 1.75D Max 7.50Lg	8
▲	8 86330	(000000-) Duct, Vinyl .40X .75X10.0 .25D	2
▲	9 86332	(000000-) Duct, Vinyl .40X .75X26.0 .25D	1
▲	10 10632-18	(000000-) Grommet,Rbr,0.69Id,For .25Matl	1
	44681	(000000-) Lens,Rev.Light,Red	1
	44681-2	(000000-) Lens,Rev.Light,Blue	1

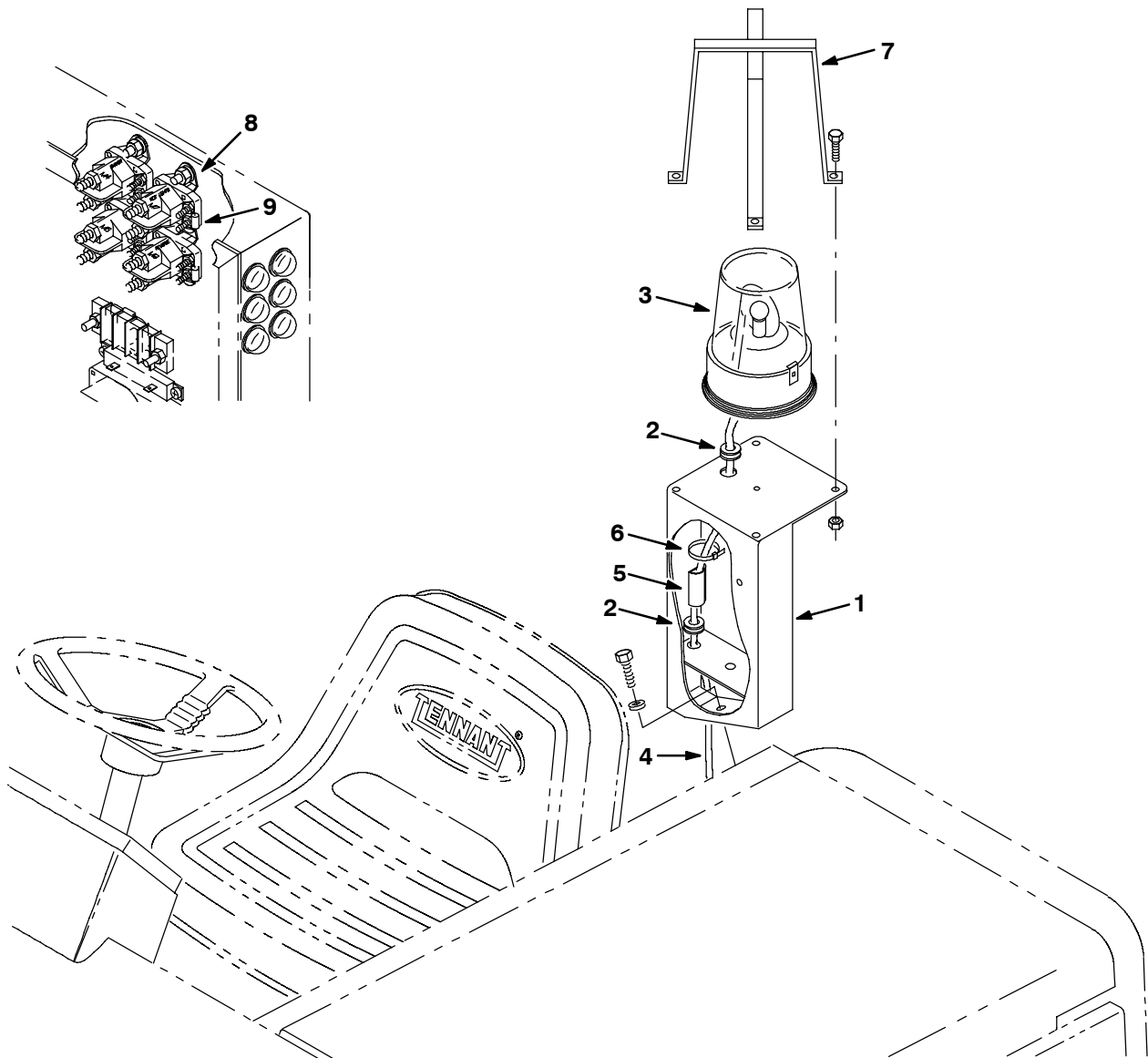
Fig. 3 - Flashing Light Kit, LRC



07992 - 6550E, JP, NA

Ref.	Part No.	Serial Number	Description	Qty.
▽	71509	(000000-) Light Kit Flsh Lrc 355E	1
▲	1 59944	(000000-) Bracket Wldt, Light, Rotating	1
▲	2 10632-9	(000000-) Grommet,Rbr,0.56ld,For .13Matl	2
▲▽	3 60373	(000000-) Light, Flsh, Amber, 36V,Rework	1
▲▲	58520	(000000-) Lens,Flashing Lite Fr207 Amber	1
▲▲	45283	(000000-) Bulb, 40V .9A 50Cp#1062	1
▲	4 71548	(000000-) Harness, Alarm & Lrc Lite	1
▲	5 86333	(000000-) Duct, Vinyl .40X .75X 3.5 .25D	2
▲	6 49266	(000000-) Tie, Cable 1.75D Max 7.50Lg	6
▲	7 45272	(000000-) Guard Wldt, Lights, Revl&Flsh	1
▲	8 386810	(000000-) Relay, 36Vdc, 100A, Sp N/O [White]	1
▲	9 49157	(000000-) Diode Assy	1
	58518	(000000-) Lens,Flashing Lite Fr207 Red	1
	58519	(000000-) Lens,Flashing Lite Fr207 Blue	1

Fig. 4 - Revolving Light Kit, LRC



07993 - 6550E, JP, NA

Ref.	Part No.	Serial Number	Description	Qty.
▽	71511	(000000-) Light Kit Revl Lrc 355E	1
▲	1 59944	(000000-) Bracket Wldt, Light, Rotating	1
▲	2 10632-9	(000000-) Grommet,Rbr,0.56ld,For .13Matl	2
▲▽	3 87709	(000000-) Light, Rev. Amber 36V-Rework	1
▲▲	44681-1	(000000-) Lens,Rev.Light,Amber	1
▲▲	45283	(000000-) Bulb, 40V .9A 50Cp#1062	1
▲	4 71548	(000000-) Harness, Alarm & Lrc Lite	1
▲	5 86333	(000000-) Duct, Vinyl .40X .75X 3.5 .25D	2
▲	6 49266	(000000-) Tie, Cable 1.75D Max 7.50Lg	6
▲	7 45272	(000000-) Guard Wldt, Lights, Revl&Fish	1
▲	8 386810	(000000-) Relay, 36Vdc, 100A, Sp N/O [White]	1
▲	9 49157	(000000-) Diode Assy	1
	44681	(000000-) Lens,Rev.Light,Red	1
	44681-2	(000000-) Lens,Rev.Light,Blue	1

Fig. 5 - Adjustable Pedal Kit

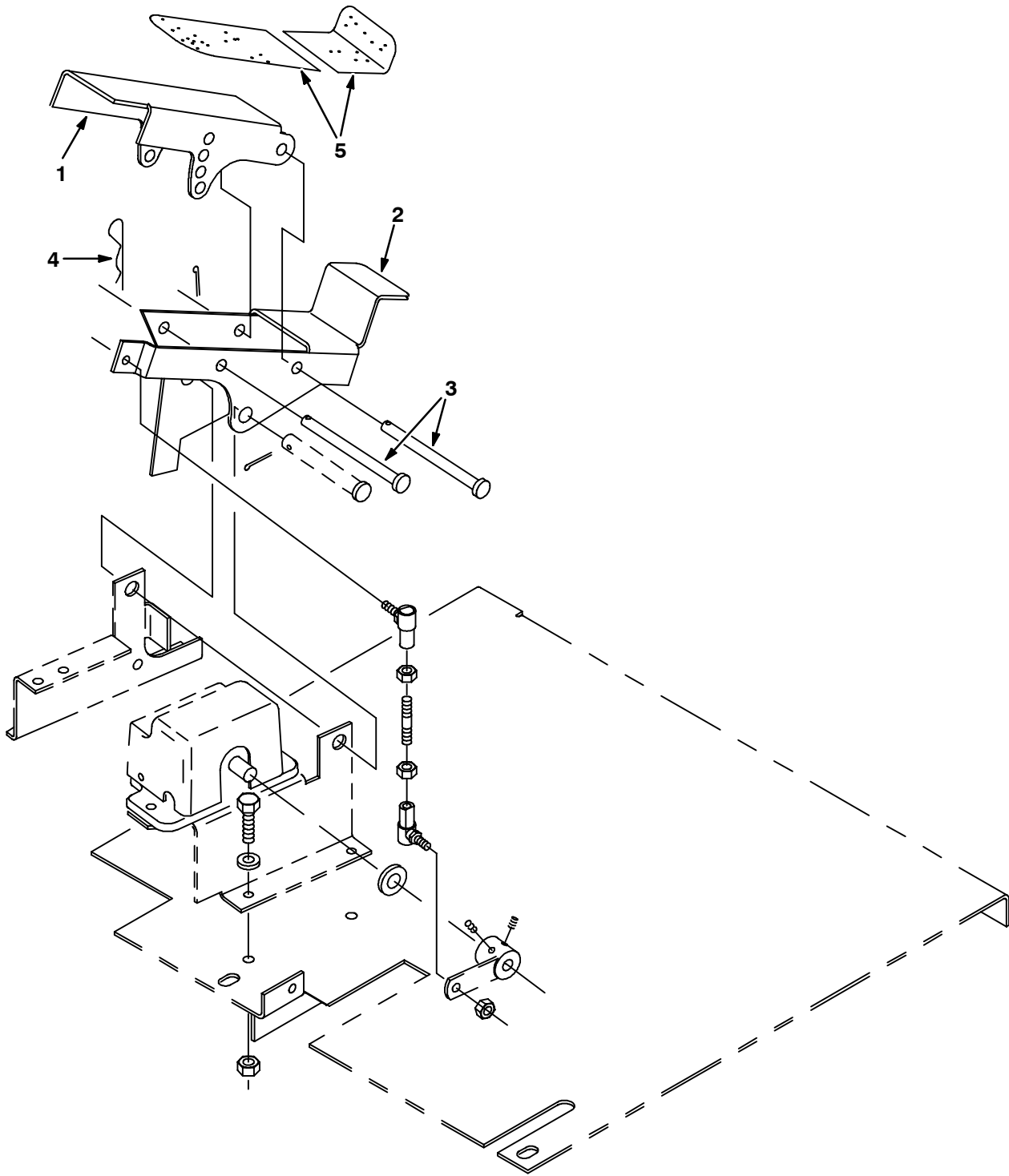
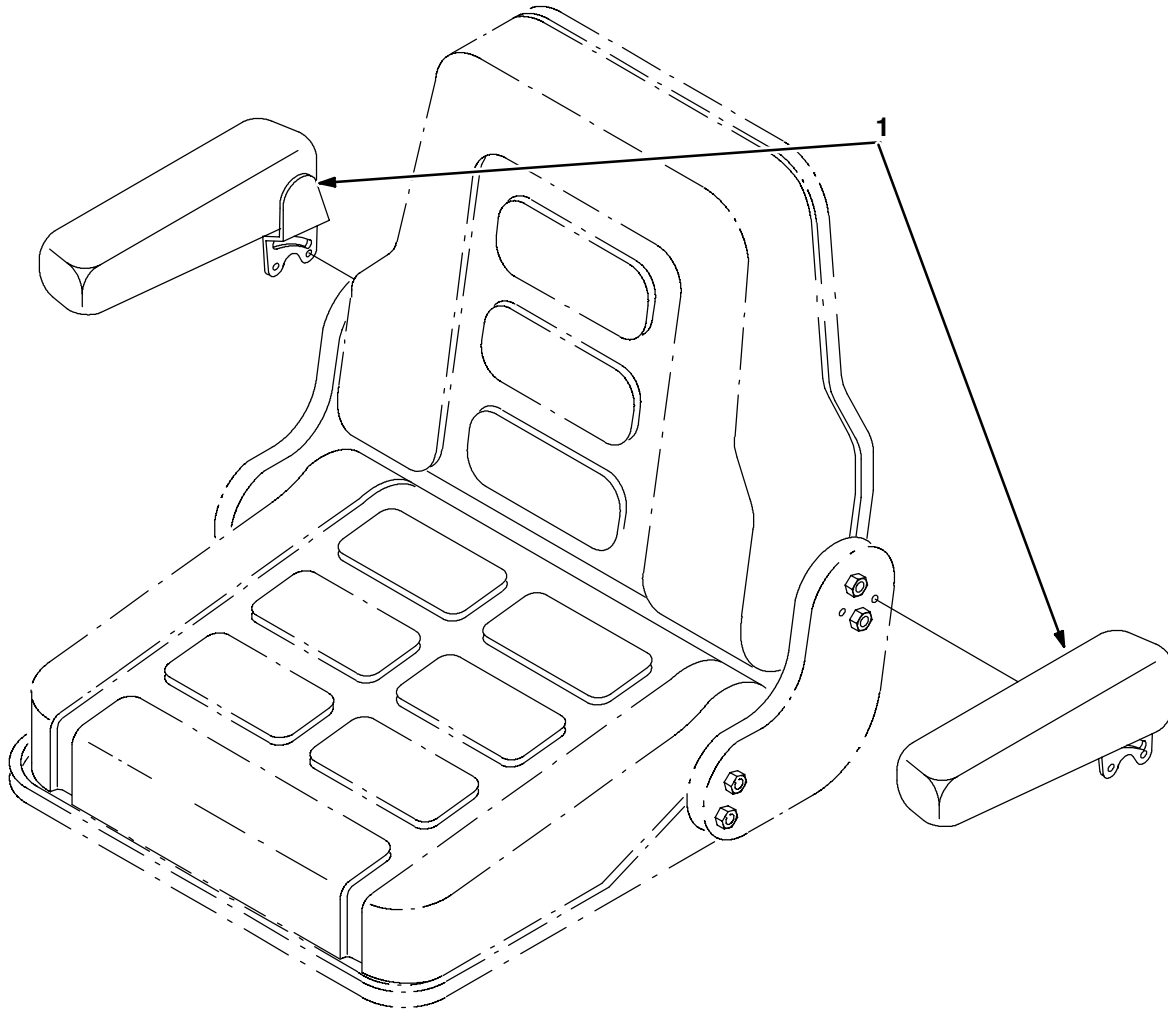


Fig. 5 - Adjustable Pedal Kit

	Ref.	Part No.	Serial Number	Description	Qty.
▽		71571	(000000-) Pedal, Adjustable Kit	1
▲	1	72082	(000000-) Pedal, Propel, Adj, Upper	1
▲	2	72083	(000000-) Pedal Wldt	1
▲	3	72084	(000000-) Pin, Clevis	2
▲	4	97163	(000000-) Pin,Hair Cotter 13 D 3 Wire	1
▲	5	82839	(000000-) Pad, Tread	1

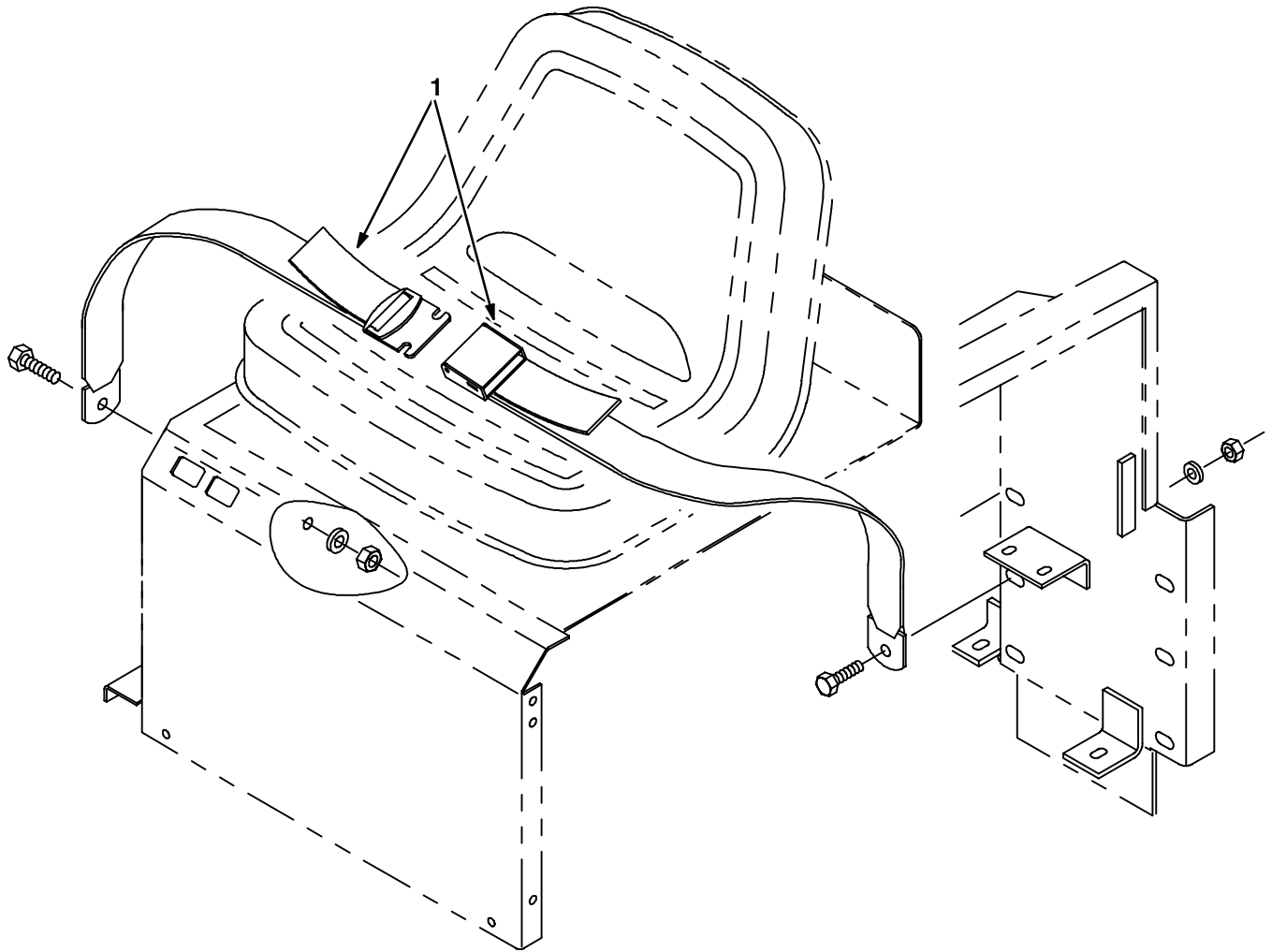
Fig. 6 - Armrest Assembly



07996 - 6550E

Ref.	Part No.	Serial Number	Description	Qty.
1	34252	(000000-) Armrest Assembly, Lh & Rh	1

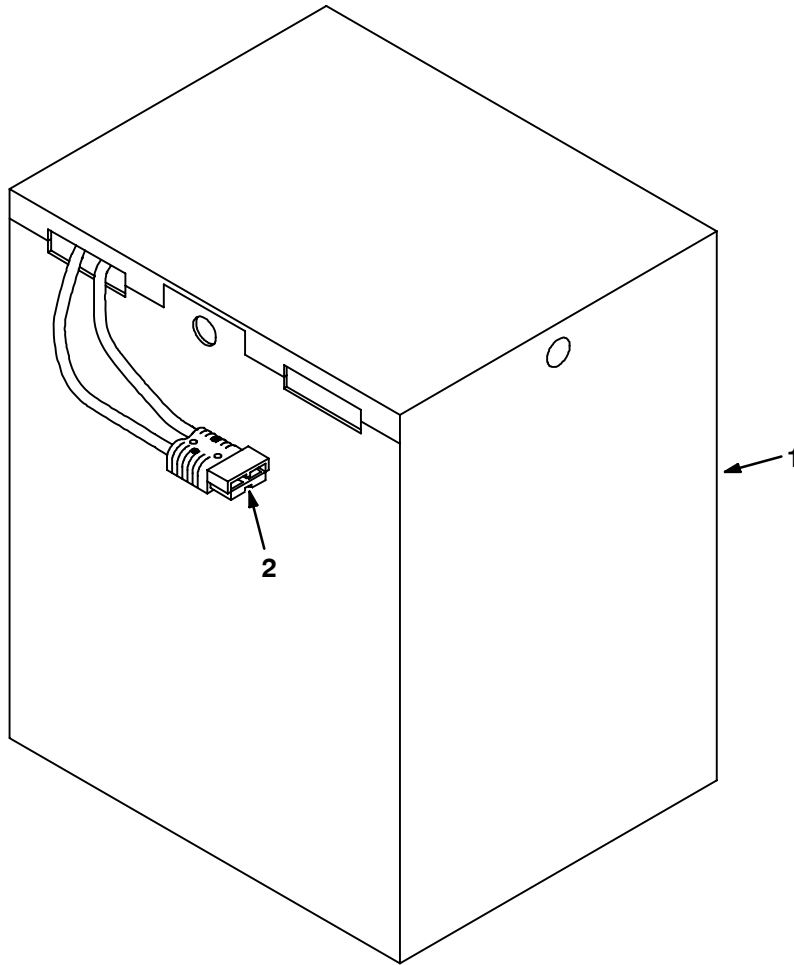
Fig. 7 - Seat Belt Kit



07481 - All

Ref.	Part No.	Serial Number	Description	Qty.
▽	59384	(000000-) Seat Belt Kit 355L	1
▲	1 30533	(000000-) Belt, Seat	1

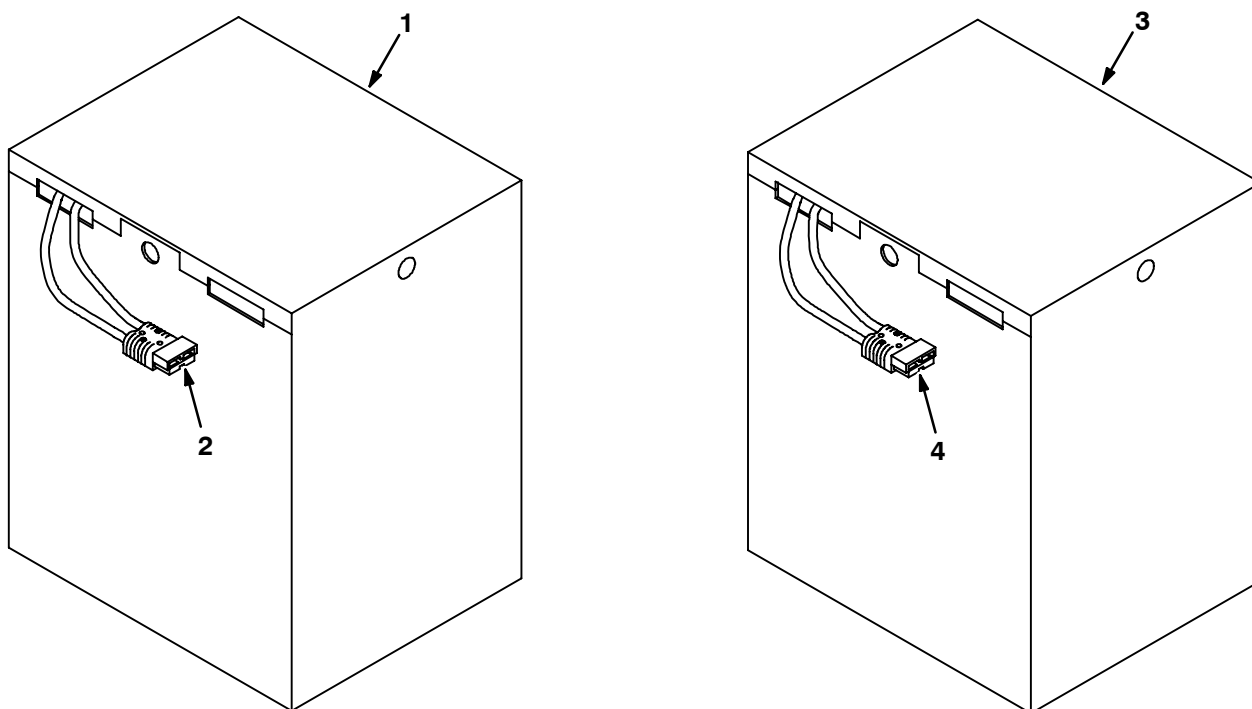
Fig. 8 - Battery Assembly, Wet



07995 - 6550E, NA

	Ref.	Part No.	Serial Number	Description	Qty.
▽		06564	(000000-) Battery Set	1
▲▽	1	31976	(000000-) Battery, 18V, 600 Amp Hr, Wet	2
▲▲	2	47985	(000000-) Connector, Andersn 175Amp,Orng	1

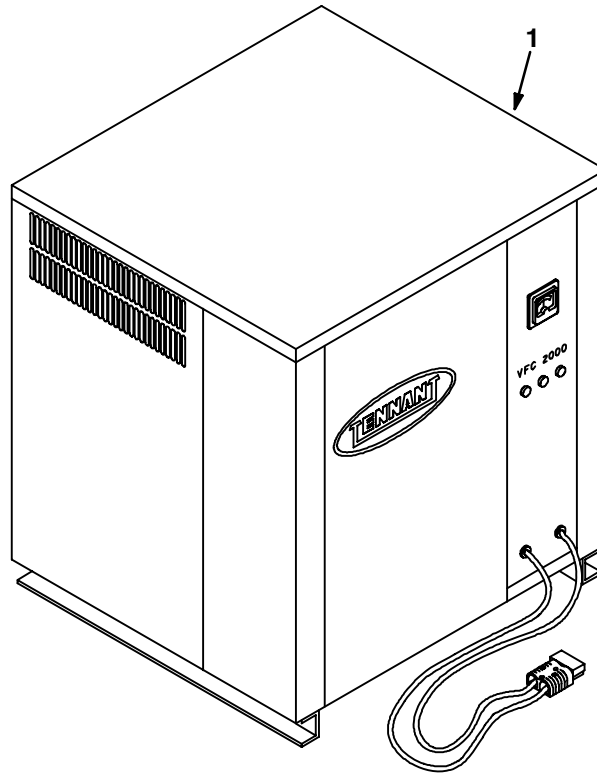
Fig. 9 - Battery Assembly, EE



07995 - 6550E, NA

Ref.	Part No.	Serial Number	Description	Qty.
▽	33520	(000000-) Battery Set	1
▲▽	1 31978	(000000-) Battery, 18V,600Ah,Wet Ee Lh	1
▲▲	2 47985	(000000-) Connector, Andersn 175Amp,Orng	1
▲▽	3 31979	(000000-) Battery, 18V,600Ah,Wet Ee Rh	1
▲▲	4 47985	(000000-) Connector, Andersn 175Amp,Orng	1

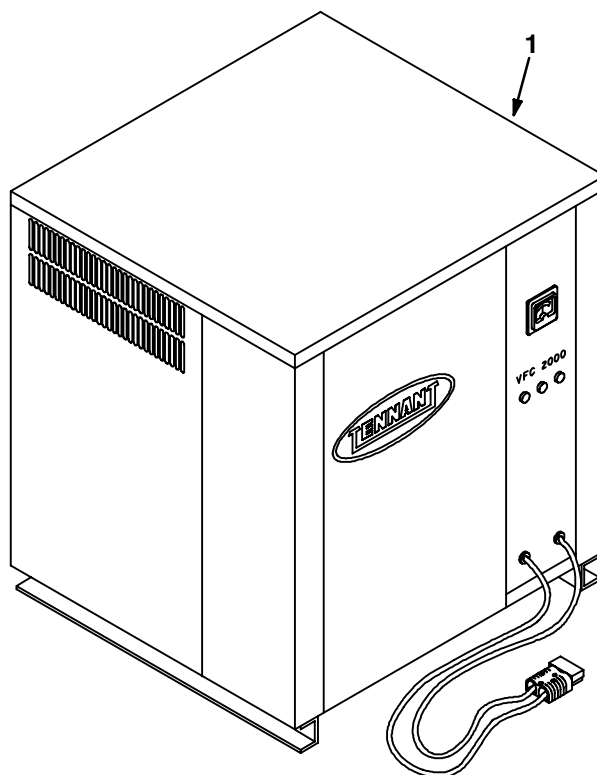
Fig. 10 - Battery Charger Group, 60Hz



06051 - 6550E, NA

	Ref.	Part No.	Serial Number	Description	Qty.
▽	1	398284	(000000-) Charger, 36V/120A 60H/1Ph	1
▲		22892	(000000-) Connector, Andersn 175Amp,Gray	1
▽	1	398287	(000000-) Charger, 36V/120A 60H/3Ph	1
▲		22892	(000000-) Connector, Andersn 175Amp,Gray	1

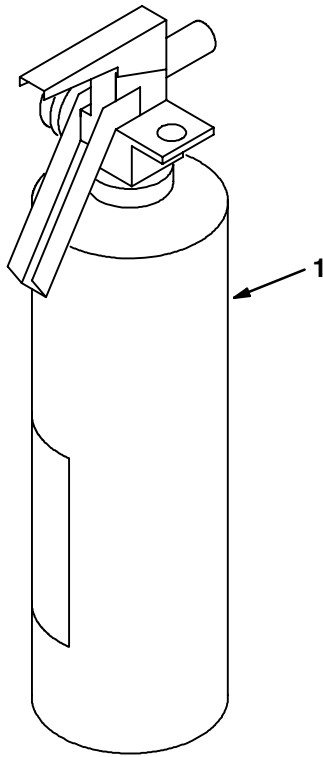
Fig. 11 - Battery Charger Group, 50Hz (International)



06051 - 6550E, NA

	Ref.	Part No.	Serial Number	Description	Qty.
▽	1	398286	(000000-) Charger, 36V,120A, 50Hz,1Ph	1
▲		22892	(000000-) Connector, Andersn 175Amp,Gray	1
▽	1	53389	(000000-) Charger, 36V,120A, 50Hz, 3Ph, 480V	1
▲		22892	(000000-) Connector, Andersn 175Amp,Gray	1

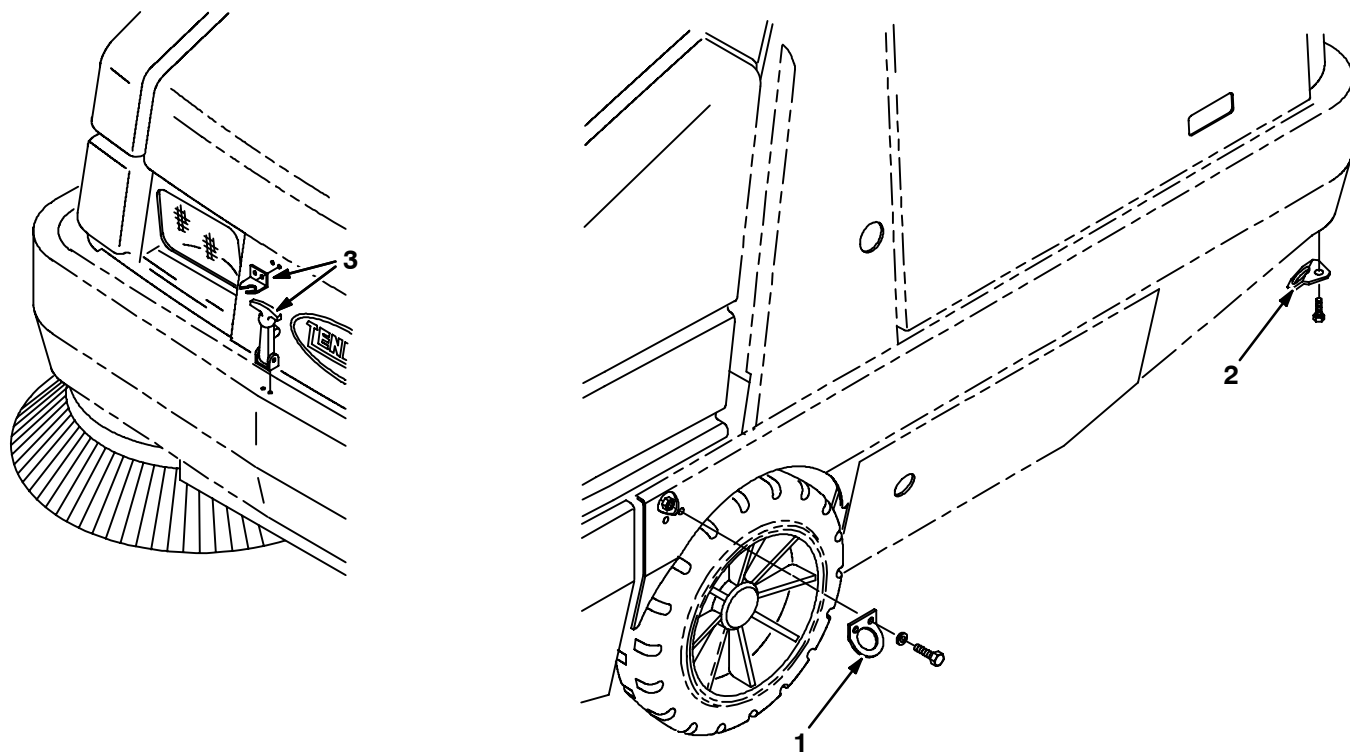
Fig. 12 - Fire Extinguisher Kit



07516 - JP, NA

	Ref.	Part No.	Serial Number	Description	Qty.
▽		59388	(000000-) Extinguisher Kit Fire 355L	1
▲	1	25312	(000000-) Extinguisher, Fire	1

Fig. 13 - Transport Group



07520 - JP, NA

Ref.	Part No.	Serial Number	Description	Qty.
1	82196	(000000-) Bracket, Tiedown	2
2	14983	(000000-) Bracket, Tiedown	2
3	11636	(000000-) Latch, Draw, Flexible	1

Fig. 14 - Side Brush Dust Control Kit

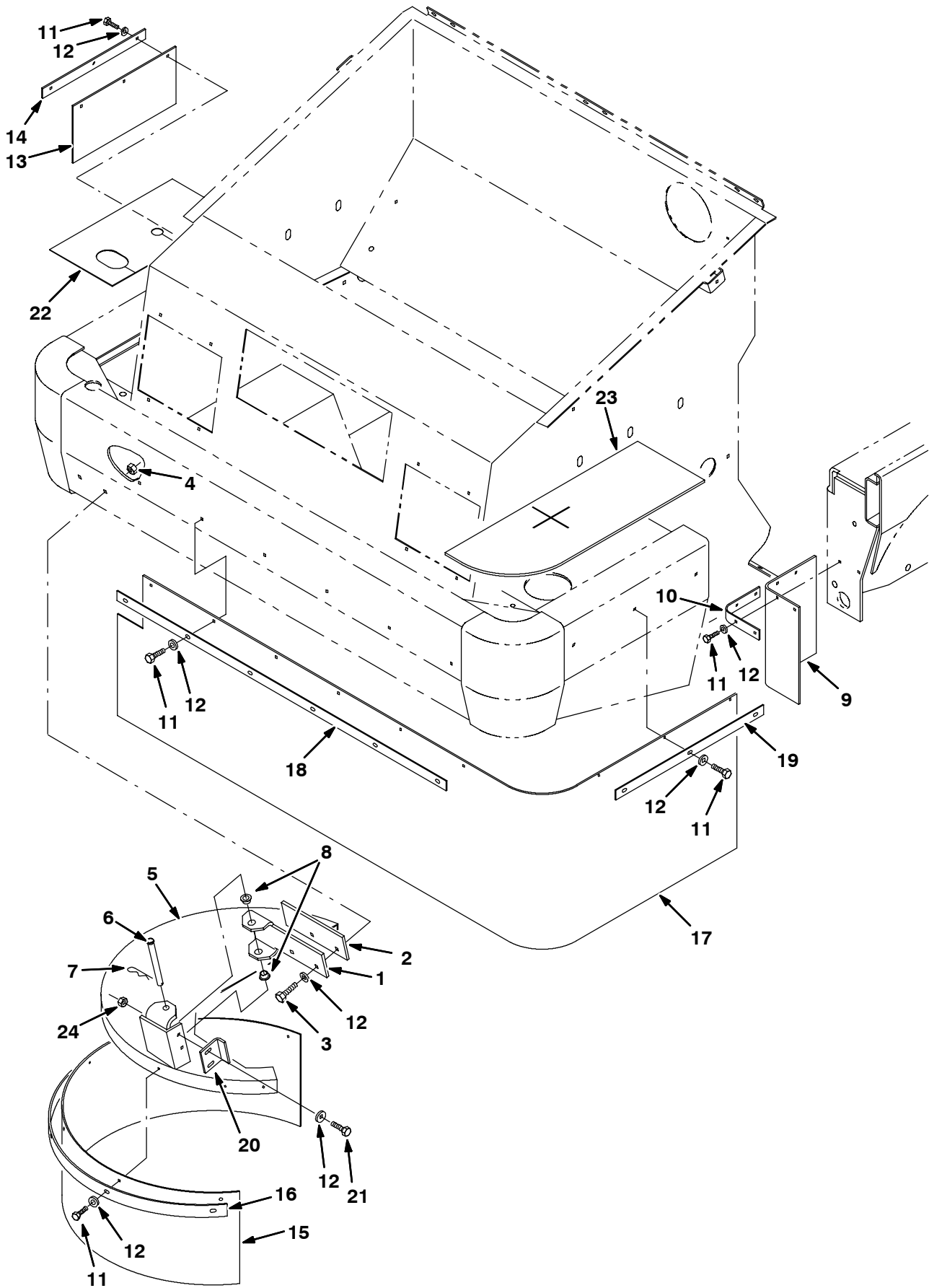
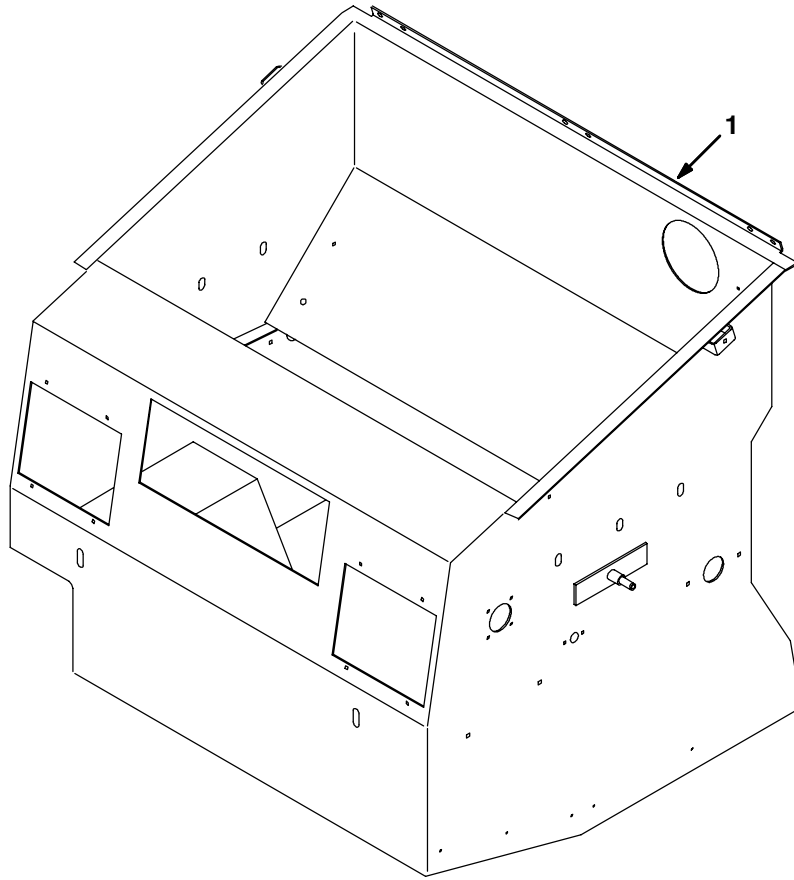


Fig. 14 - Side Brush Dust Control Kit

	Ref.	Part No.	Serial Number	Description	Qty.
▽		379807	(000000-) Dust Control Kit, Sidebrush (Metal)	1
▲	1	74383	(000000-) Bracket	1
▲	2	379810	(000000-) Plate, Spacer	2
▲	3	39284	(000000-) Screw, Hex, M10	2
▲	4	07792	(000000-) Nut, Hex, M10	2
▲	5	379797	(000000-) Cover	1
▲	6	51538	(000000-) Pin, Clevis	1
▲	7	44906	(000000-) Pin, Hair Cotter	1
▲	8	23274	(000000-) Bushing, Flange	2
▲	9	66176	(000000-) Skirt	2
▲	10	66177	(000000-) Plate, Retainer	2
▲	11	12459	(000000-) Screw, Hex Forming, M6	24
▲	12	01684	(000000-) Washer, Flat	26
▲	13	379800	(000000-) Skirt	1
▲	14	379801	(000000-) Plate, Retainer	1
▲	15	379804	(000000-) Skirt	1
▲	16	379803	(000000-) Plate, Retainer	1
▲	17	379805	(000000-) Skirt	1
▲	18	74380	(000000-) Plate	1
▲	19	74381	(000000-) Plate, Retainer	1
▲	20	74382	(000000-) Angle	1
▲	21	16931	(000000-) Screw, Hex, M8	2
▲	22	379806	(000000-) Insulation, Foam	1
▲	23	72087	(000000-) Insulation, Foam	1
▲	24	07791	(000000-) Nut, Hex, Flange, M8	2

Fig. 15 - Stainless Steel Hopper Group



10930 - Not 6500 CE

Ref.	Part No.	Serial Number	Description	Qty.
1	379625	(000000-) Hopper Wldt, 355/385 Ss	1

Fig. 16 - Documentation Group

07501 - 6550E, NA

Ref.	Part No.	Serial Number	Description	Qty.
1	330350	(000000-) Manual Pkg 6550E	1
2	330715	(000000-) Manual, Cd-Rom, Service	1
3	330355	(000000-) Manual Service 6550E	1
4	330352	(000000-) Manual Op/Mt 6550E Spanish	1
4	330353	(000000-) Manual Op/Mt 6550E French	1
4	330354	(000000-) Manual Op/Mt 6550E Japanese	1
5	48844	(000000-) Video, Oprtr, Vhs [6550E]	1
6	330710	(000000-) Manual, Cd-Rom, Oprtr & Parts, All [Na]	1

SECTION 4

Contents	Page
Fig. 1 - Hydraulic Valve Breakdown, 48751	4-2
Fig. 2 - Hydraulic Valve Breakdown, 1019961	4-4
Fig. 3 - Hydraulic Pump Breakdown, 70243	4-6
Fig. 4 - Hydraulic Motor Breakdown, 74468	4-7
Fig. 5 - Hydraulic Motor Breakdown, 379607	4-8
Fig. 6 - Hydraulic Motor Breakdown, 379608	4-9
Fig. 7 - Hydraulic Steering Valve Breakdown, 74173	4-10
Fig. 8 - Hydraulic Cylinder Breakdown, 74419	4-11
Fig. 9 - Hydraulic Cylinder Breakdown, 54098	4-12
Fig. 10 - Electric Motor Breakdown, EE, 60192	4-13
Fig. 11 - Electric Motor Breakdown, 16224	4-14
Fig. 12 - Electric Motor Breakdown, 360175	4-15
Fig. 13 - Electric Motor Breakdown, 60198	4-16

Fig. 1 - Hydraulic Valve Breakdown, 48751

CONTROL VALVE	
Spool #1	Brushes
Spool #2	Hopper Door
Spool #3	Hopper Lift

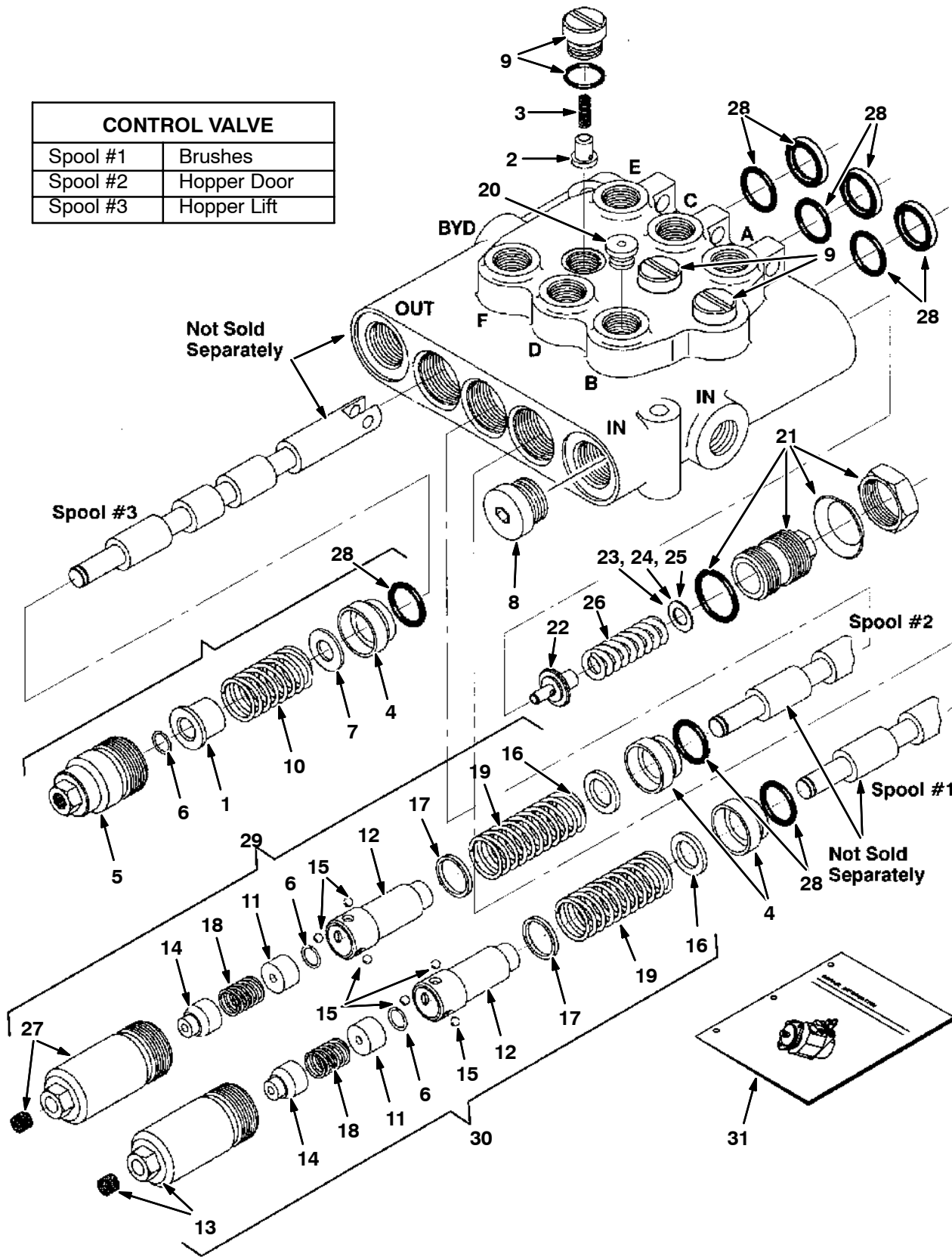


Fig. 1 - Hydraulic Valve Breakdown, 48751

	Ref.	Part No.	Serial Number	Description	Qty.
▽		48751	(000000-) Valve, Hyd Cntrl Man	1
▲	1	79785	(000000-) Spacer	1
▲	2	79786	(000000-) Plunger	1
▲	3	79787	(000000-) Spring	1
▲	4	79788	(000000-) Bushing	3
▲	5	79789	(000000-) Cap Assembly	1
▲	6	79792	(000000-) Retaining Rng	3
▲	7	79794	(000000-) Washer	1
▲	8	13907	(000000-) Plug, #8 O-Ring	1
▲	9	79795	(000000-) Plug & O-Ring	3
▲	10	79796	(000000-) Spring	1
▲	11	79801	(000000-) Spacer	2
▲	12	79802	(000000-) Detent Adaptr	2
▲	13	79803	(000000-) Cap Assembly	1
▲	14	79800	(000000-) Cone	2
▲	15	79804	(000000-) Ball	6
▲	16	79806	(000000-) Washer	2
▲	17	79805	(000000-) Washer	2
▲	18	79807	(000000-) Spring	2
▲	19	79808	(000000-) Spring	2
▲	20	13904	(000000-) Plug, #6 O-Ring	2
▲	21	79790	(000000-) Plug Assembly	1
▲	22	79791	(000000-) Poppet	1
▲	23	79793	(000000-) Shim .035 Thk	-
▲	24	79798	(000000-) Shim .015 Thk	-
▲	25	79799	(000000-) Shim .010 Thk	-
▲	26	21915	(000000-) Spring	1
▲	27	79821	(000000-) Cap Assembly	1
▲	28	79812	(000000-) Seal Kit, Vlv	1
▲	29	79813	(000000-) Kit, Detent Out	1
▲	30	79815	(000000-) Kit, Detent I&O	1
	31	79820	(000000-) Repair Info, Valve	1

Fig. 2 - Hydraulic Valve Breakdown, 1019961

CONTROL VALVE	
Spool #1	Brushes
Spool #2	Hopper Door
Spool #3	Hopper Lift

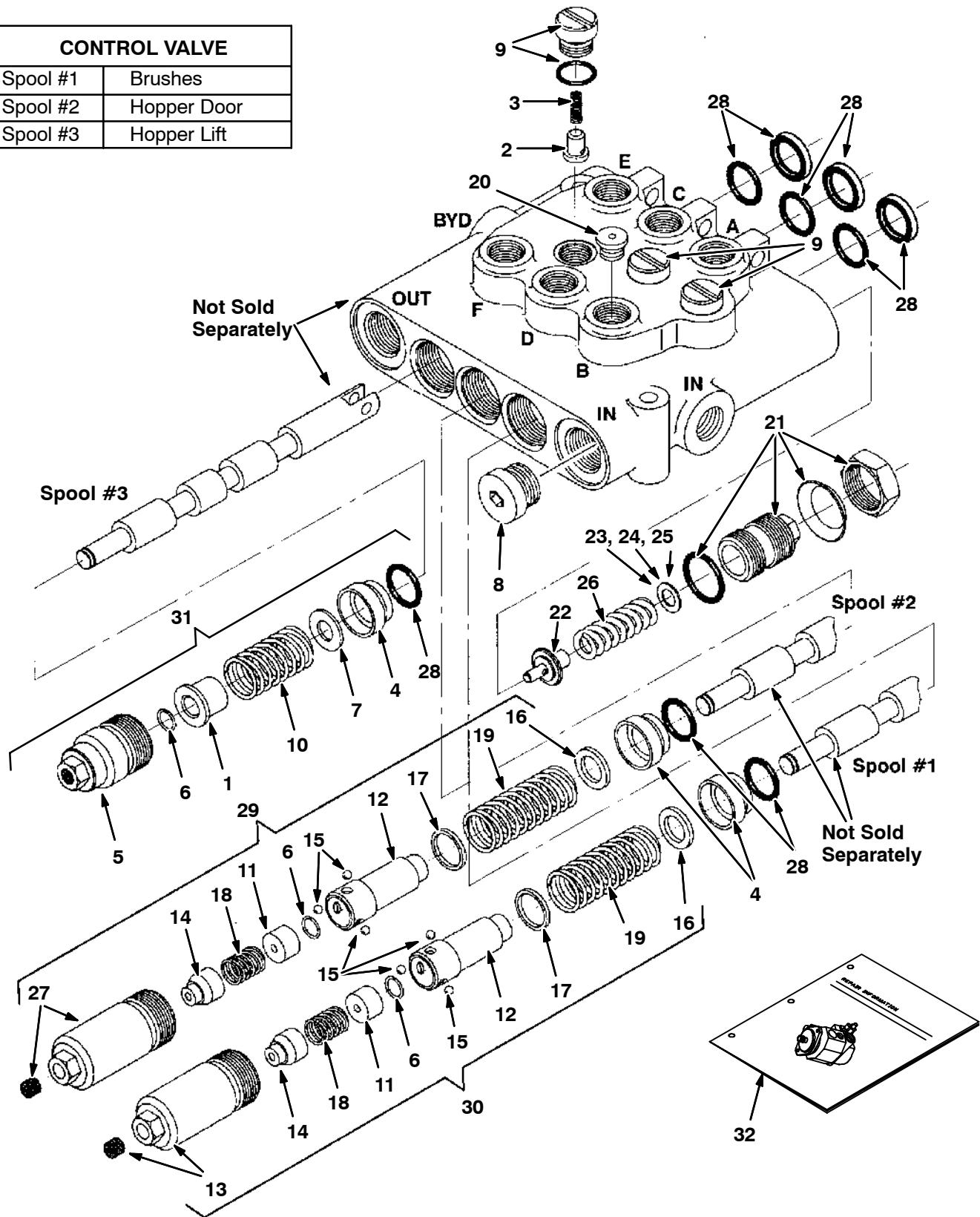
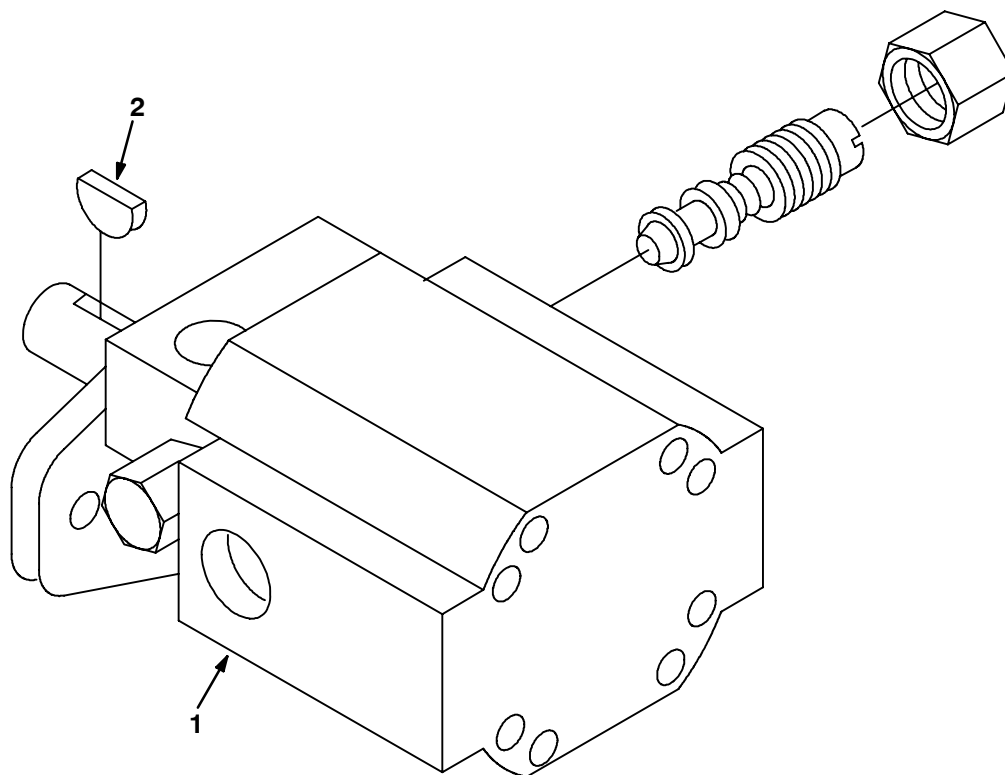


Fig. 2 - Hydraulic Valve Breakdown, 1019961

Ref.	Part No.	Serial Number	Description	Qty.
▽	1019961	(000000-) Valve, Hyd, Man, 3sp 10gpm 2150psi	1
▲	1 79785	(000000-) Spacer, Valve, Hyd	1
▲	2 79786	(000000-) Plunger, Valve, Hyd	1
▲	3 79787	(000000-) Spring, Valve, Hyd	1
▲	4 79788	(000000-) Bushing, Valve, Hyd	3
▲	5 79789	(000000-) Cap Assy, Valve, Hyd	1
▲	6 79792	(000000-) Ring, Retainer, Valve, Hyd	3
▲	7 79794	(000000-) Washer, Valve, Hyd	1
▲	8 13907	(000000-) Fitting, Plug, O-Ring	1
▲	9 79795	(000000-) Fitting, Plug, W/ O-Ring, Valve, Hyd	3
▲	10 79796	(000000-) Spring, Valve, Hyd	1
▲	11 79801	(000000-) Spacer, Valve, Hyd	2
▲	12 79802	(000000-) Detent Adaptor, Valve, Hyd	2
▲	13 79803	(000000-) Cap Assy	1
▲	14 79800	(000000-) Cone, Valve, Hyd	2
▲	15 79804	(000000-) Ball, Valve, Hyd	6
▲	16 79806	(000000-) Washer, Valve, Hyd	2
▲	17 79805	(000000-) Washer, Valve, Hyd	2
▲	18 79807	(000000-) Spring, Valve, Hyd	2
▲	19 79808	(000000-) Spring	2
▲	20 13904	(000000-) Fitting, Plug, O-Ring, #6, Valve	2
▲	21 79790	(000000-) Plug Assy, Valve, Hyd	1
▲	22 79791	(000000-) Poppet, Valve, Hyd	1
▲	23 79793	(000000-) Shim .035t, Valve, Hyd	-
▲	24 79798	(000000-) Shim .015t, Valve, Hyd	-
▲	25 79799	(000000-) Shim .010t, Valve, Hyd	-
▲	26 21915	(000000-) Spring, Valve, Hyd	1
▲	27 79821	(000000-) Cap Assy	1
▲	28 79812	(000000-) Kit, Seal, Valve, Hyd	1
▲	29 79813	(000000-) Kit, Detent Out, Valve, Hyd	1
▲	30 79815	(000000-) Kit, Detent, Valve, Hyd	1
▲	31 79814	(000000-) Kit, Detent In	1
	32 79820	(000000-) Instruction, Repair, Valve, Hyd	1

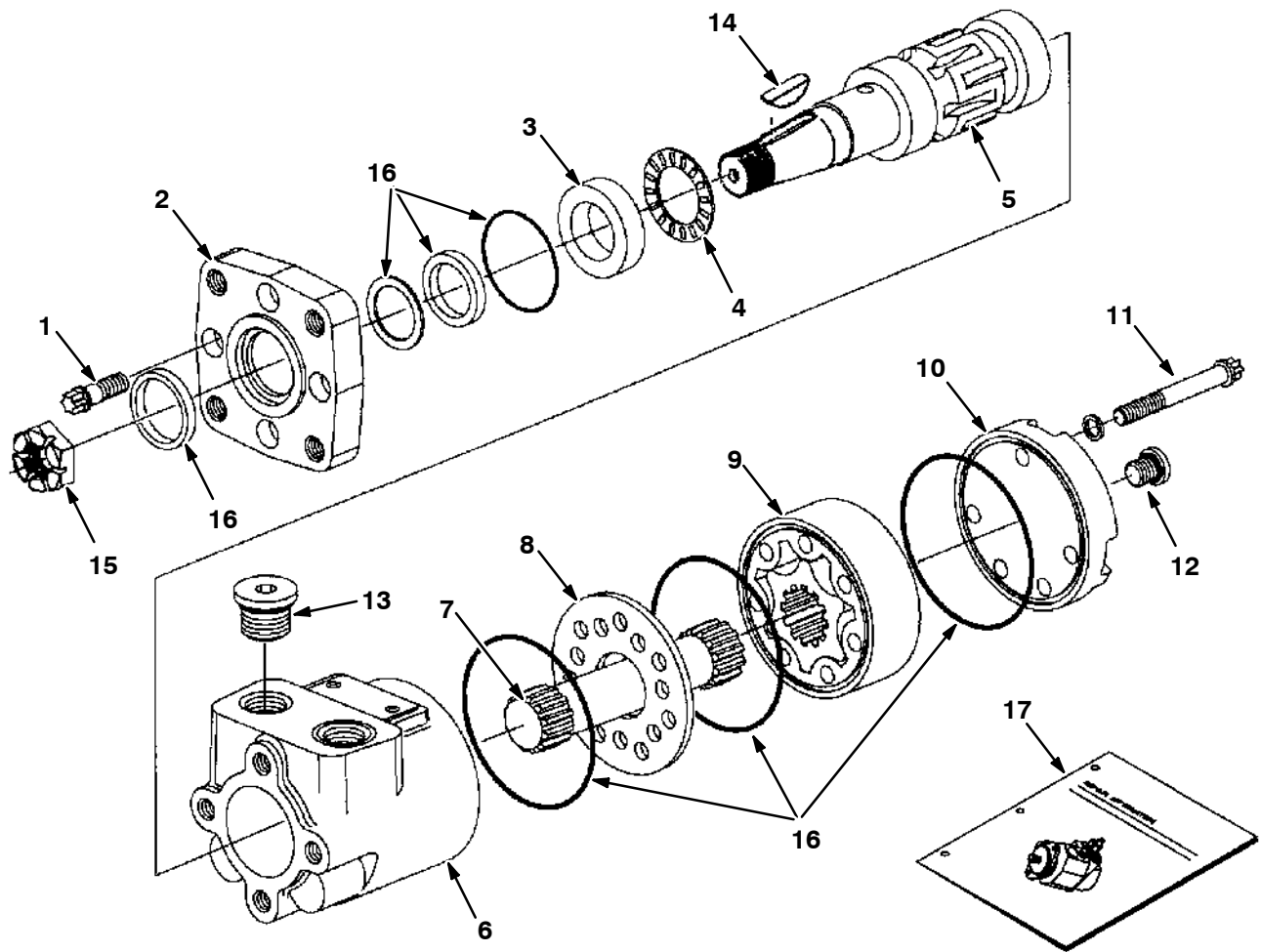
Fig. 3 - Hydraulic Pump Breakdown, 70243



08157 - 6550E

	Ref.	Part No.	Serial Number	Description	Qty.
▽	1	70243	(000000-) Pump-Hyd Gear Ex .39.13 R 2500	1
▲		74269	(000000-) Seal Kit	1
▲	2	00500-4	(000000-) Key-Wdruff 0.12 0.50 Asa#0404	1

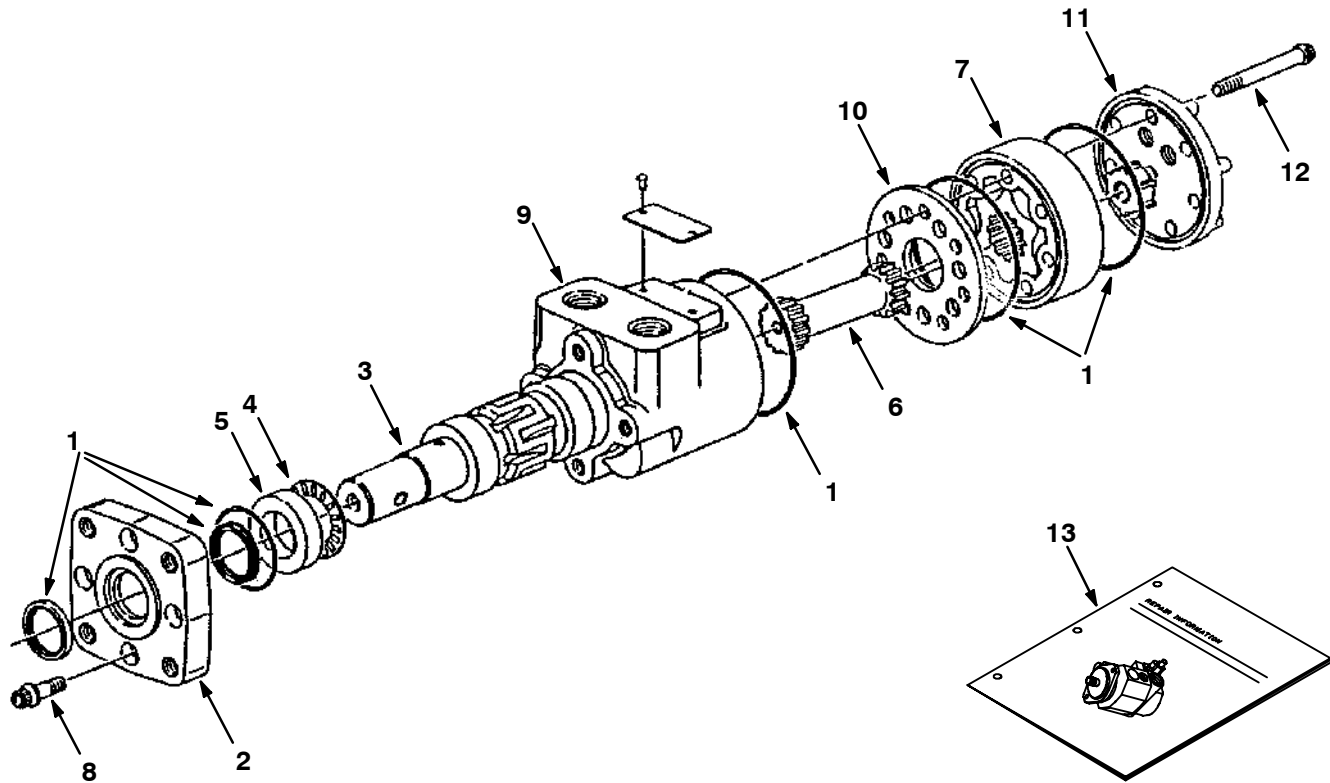
Fig. 4 - Hydraulic Motor Breakdown, 74468



09606-09670 - 6550E

Ref.	Part No.	Serial Number	Description	Qty.	
▽	74468	(000000-) Motor, Hyd Gear In 02.8 B 1500	1	
▲	1	37555	(000000-) Cap, Screw	4
▲	2	31354	(000000-) Flange Mounting	1
▲	3	16695	(000000-) Race Thrust	1
▲	4	45628	(000000-) Thrust Bearing	1
▲	5	31375	(000000-) Shaft, Output	1
▲	6	74100	(000000-) Housing Cl	1
▲	7	34176	(000000-) Drive	1
▲	8	74094	(000000-) Spacer Plate Cl	1
▲	9	31381	(000000-) Gerotor Set	1
▲	10	74095	(000000-) Spacer Plate Cl	1
▲	11	74174	(000000-) Cap, Screw Cl	5
▲	12	74098	(000000-) Plug Assembly Ph	1
▲	13	74099	(000000-) Plug Assembly Ph	2
▲	14	00500-15	(000000-) Key-Wdruff 0.25 1.00 Asa#0808	1
▲	15	39527	(000000-) Nut-Hxslot .75-16 Pltd	1
▲	16	61490	(000000-) Seal Replmt Kit	1
	17	74250	(000000-) Repair Info. Cl	1

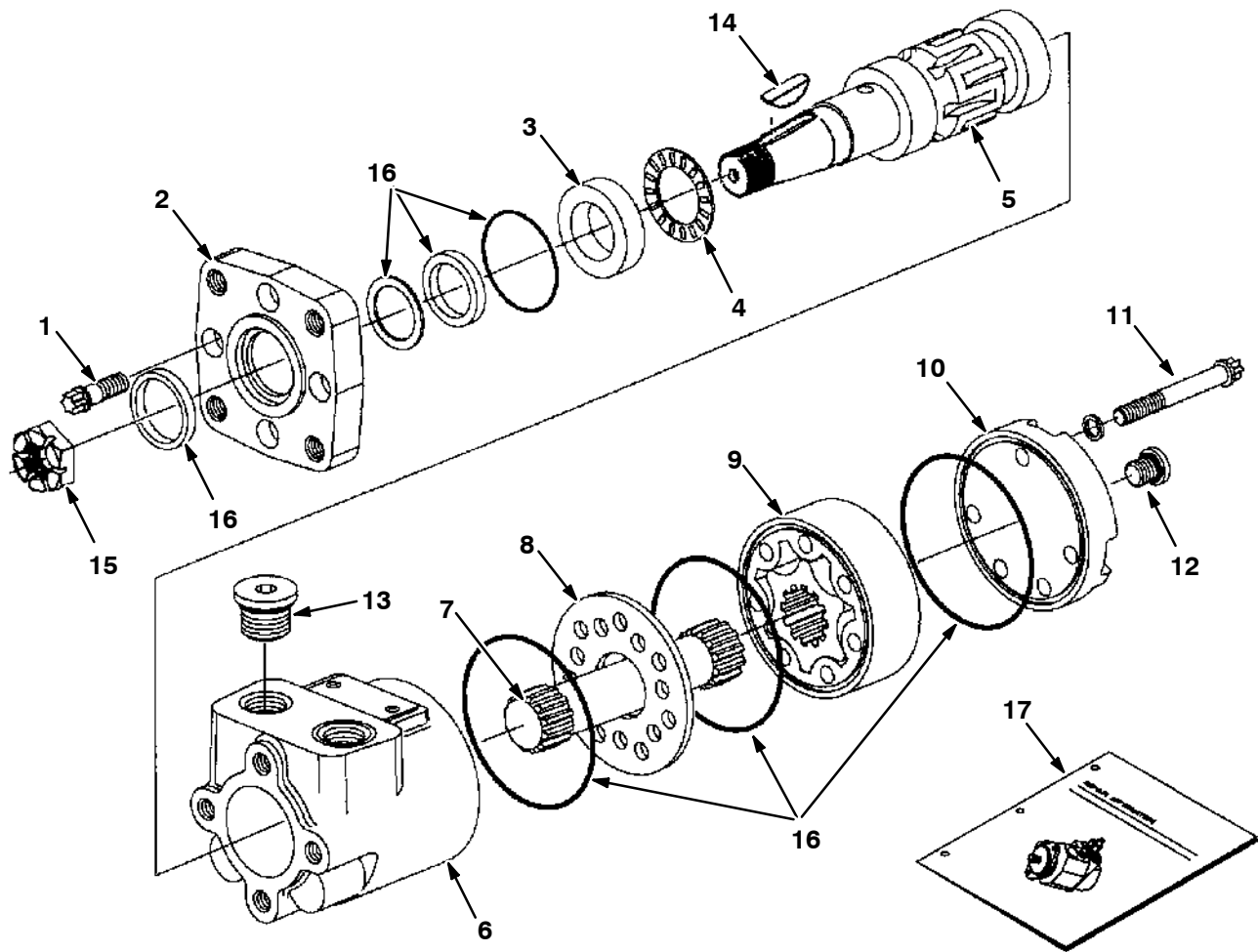
Fig. 5 - Hydraulic Motor Breakdown, 379607



08926-09670 - All

Ref.	Part No.	Serial Number	Description	Qty.
▽	379607	(000000-) Motor, Hydraulic	1
▲	1 22654	(000000-) Seal Kit	1
▲	2 31354	(000000-) Flange, Mounting	1
▲	3 31373	(000000-) Output Shaft	1
▲	4 45628	(000000-) Bearing Thrust	1
▲	5 16695	(000000-) Race, Thrust	1
▲	6 31380	(000000-) Drive	1
▲	7 31385	(000000-) Gerotor Set	1
▲	8 37555	(000000-) Screw	4
▲	9 74100	(000000-) Housing	1
▲	10 74094	(000000-) Spacer Plate	1
▲	11 74101	(000000-) End Cap	1
▲	12 65232	(000000-) Screw, Cap	5
	13 74250	(000000-) Repair Info.	1

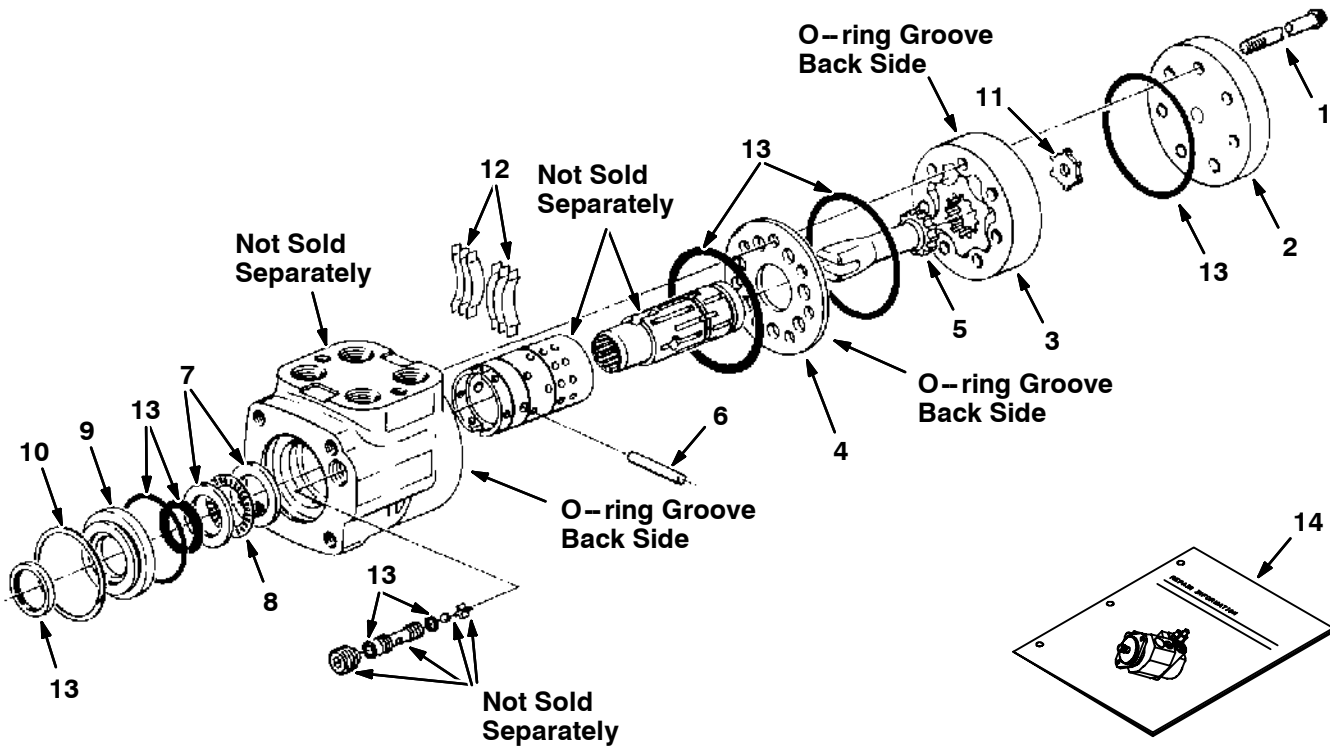
Fig. 6 - Hydraulic Motor Breakdown, 379608



09606-09670 - All

Ref.	Part No.	Serial Number	Description	Qty.	
▽	379608	(000000-) Motor, Hyd Gear In 02.8 B 1500	1	
▲	1	37555	(000000-) Cap, Screw	4
▲	2	31354	(000000-) Flange Mounting	1
▲	3	16695	(000000-) Race Thrust	1
▲	4	45628	(000000-) Thrust Bearing	1
▲	5	31375	(000000-) Shaft, Output	1
▲	6	74100	(000000-) Housing Cl	1
▲	7	34176	(000000-) Drive	1
▲	8	74094	(000000-) Spacer Plate Cl	1
▲	9	31381	(000000-) Gerotor Set	1
▲	10	74095	(000000-) Spacer Plate Cl	1
▲	11	74174	(000000-) Cap, Screw Cl	5
▲	12	74098	(000000-) Plug Assembly Ph	1
▲	13	74099	(000000-) Plug Assembly Ph	2
▲	14	00500-15	(000000-) Key-Wdruff 0.25 1.00 Asa#0808	1
▲	15	39527	(000000-) Nut-Hxslot .75-16 Pltd	1
▲	16	61490 22654	-) Seal Replmt Kit	1	
▲	17	22654 74250	-) Repair Info. Cl	1	

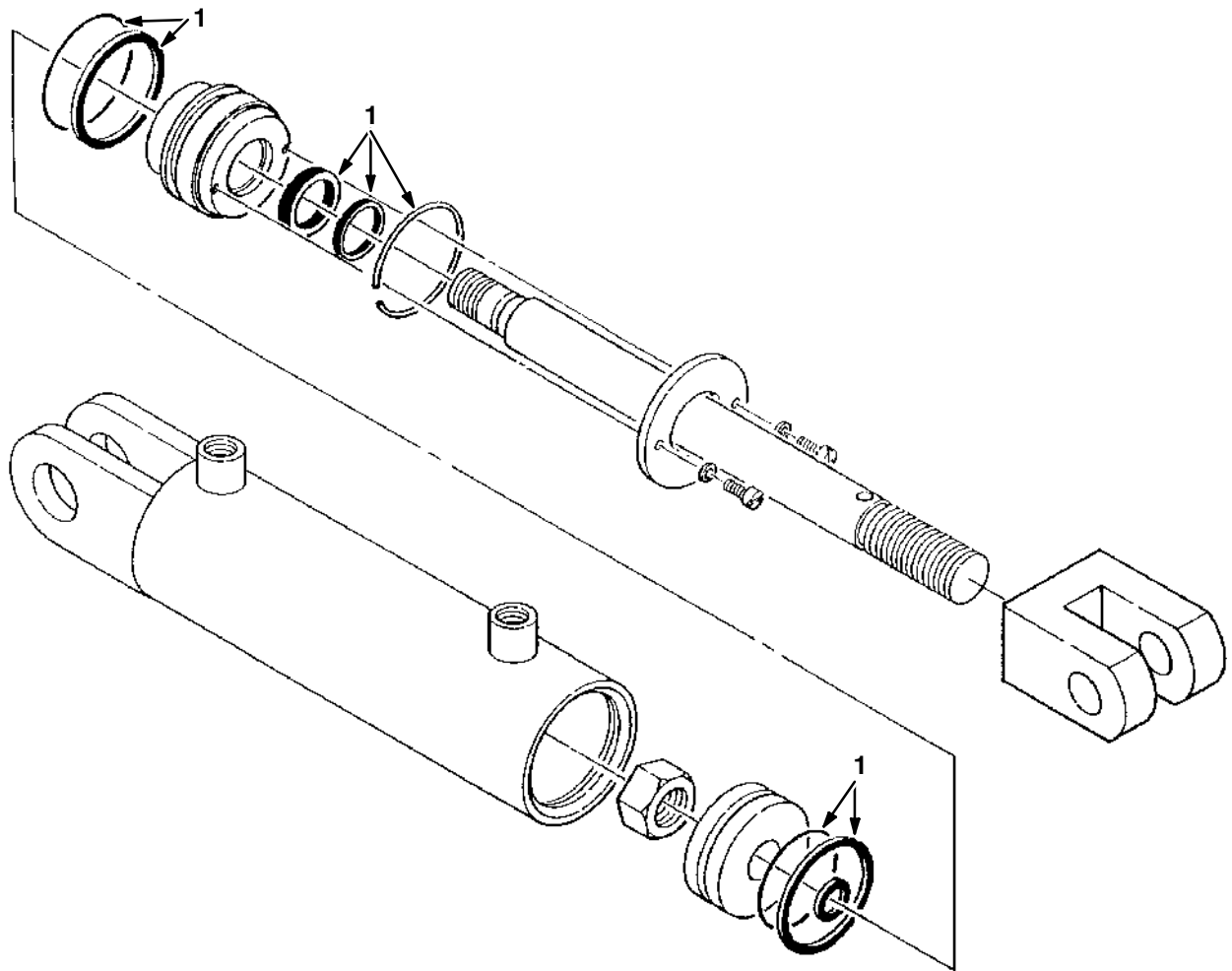
Fig. 7 - Hydraulic Steering Valve Breakdown, 74173



09936-09670 - 6550E

Ref.	Part No.	Serial Number	Description	Qty.	
▽	74173	(000000-) Valve, Hydraulic Steering 07.3 0600	1	
▲	1	74191	(000000-) Cap, Screw	7
▲	2	74181	(000000-) Cap, End	1
▲	3	71574	(000000-) Gerotor Set	1
▲	4	74182	(000000-) Plate, Wear	1
▲	5	58596	(000000-) Drive	1
▲	6	74218	(000000-) Pin	1
▲	7	74109	(000000-) Race, Bearing	2
▲	8	74110	(000000-) Bearing, Needle	1
▲	9	74112	(000000-) Retainer, Front	1
▲	10	74111	(000000-) Ring, Retaining	1
▲	11	74140	(000000-) Spacer	1
▲	12	74195	(000000-) Spring Kit	1
▲	13	74190	(000000-) Seal Kit	1
▲	14	74251	(000000-) Repair Info	1

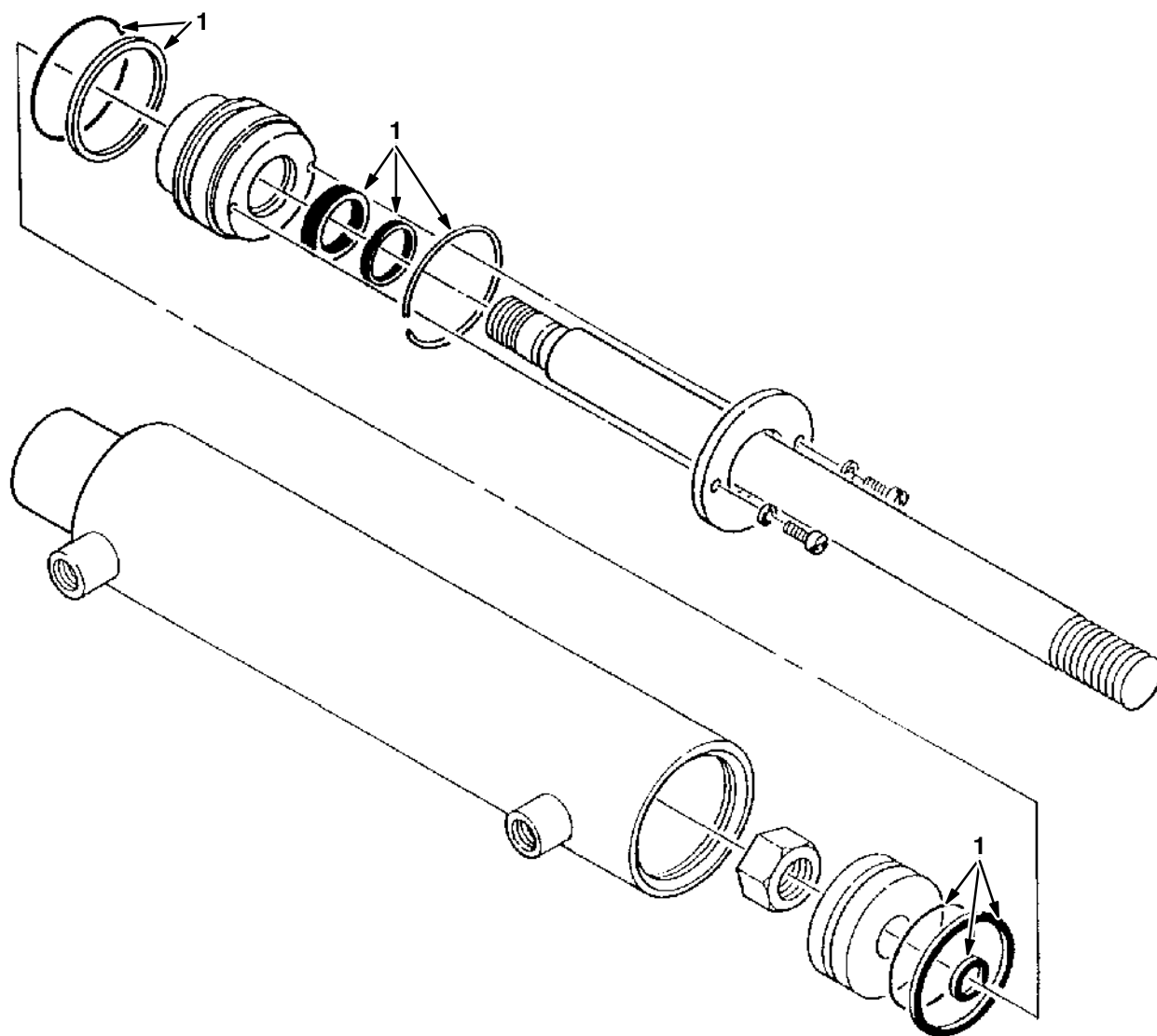
Fig. 8 - Hydraulic Cylinder Breakdown, 74419



07493 - All

Ref.	Part No.	Serial Number	Description	Qty.
▽	74419	(000000-) Cylinder, Hydraulic	1
▲	1 59335	(000000-) Seal Kit	1

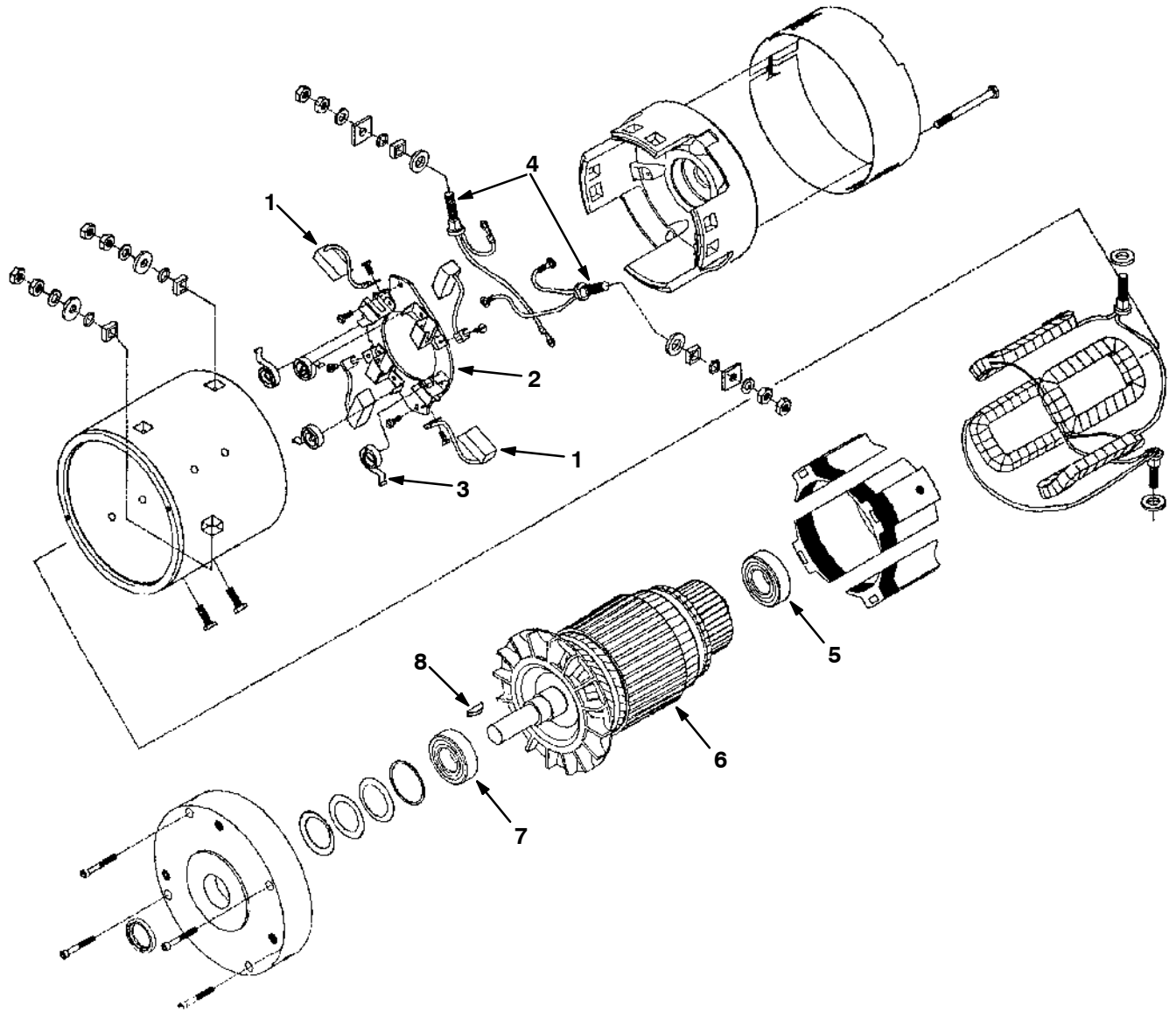
Fig. 9 - Hydraulic Cylinder Breakdown, 54098



07494 - 6550E

	Ref.	Part No.	Serial Number	Description	Qty.
▽		54098	(000000-) Cylinder, Hydraulic	1
▲	1	04483	(000000-) Seal Kit	1

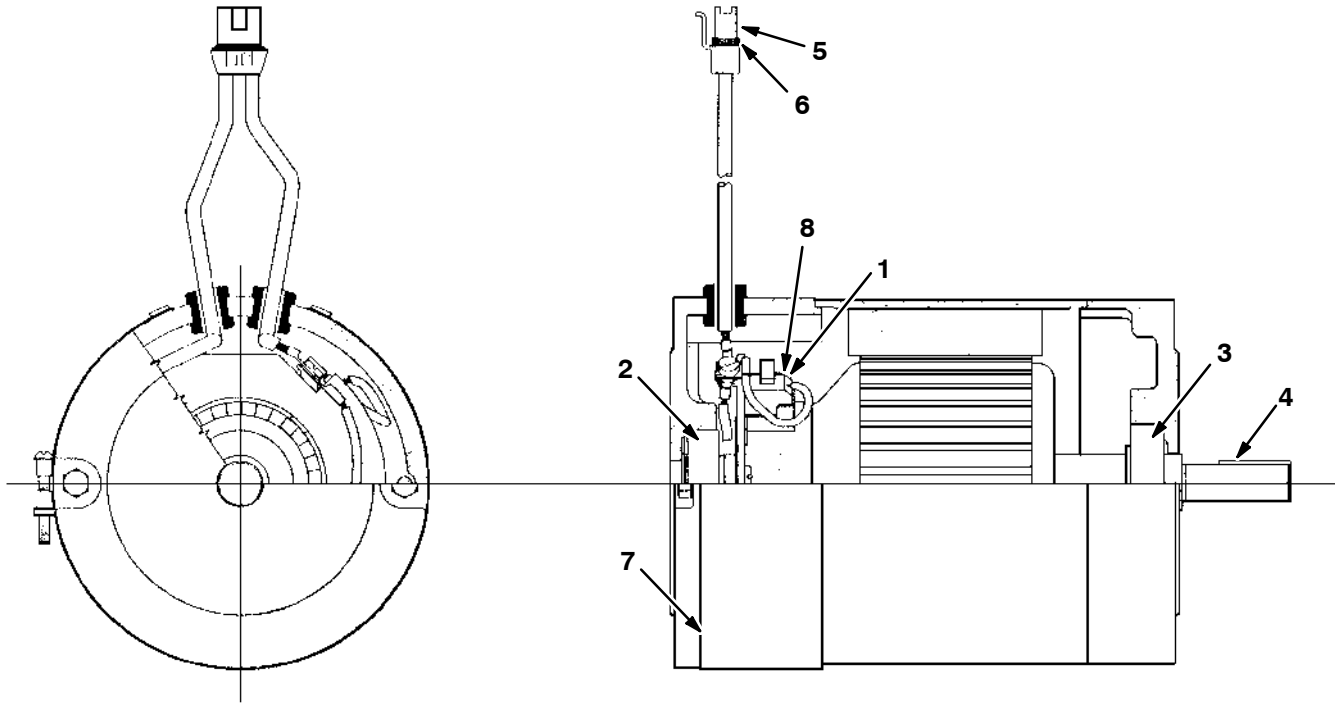
Fig. 10 - Electric Motor Breakdown, EE, 60192



08573 - 6550E

Ref.	Part No.	Serial Number	Description	Qty.
▽	60192	(000000-) Motor, 2.0 Hp,36 Vdc	1
▲	1 87864	(000000-) Brush Set (4), Ele Motor	1
▲▽	2 50231	(000000-) Brush Holder Ge	1
▲▲	3 50233	(000000-) Spring, Brush Ge	4
▲	4 50232	(000000-) Lead,Crssovr Ge	2
▲	5 50234	(000000-) Ball Brg. Ge	1
▲	6 50235	(000000-) Armature Ge	1
▲	7 50236	(000000-) Bearing, Ball Ge	1
▲	8 00500-7	(000000-) Key-Wdruff 0.16 0.62 Asa#0505	1

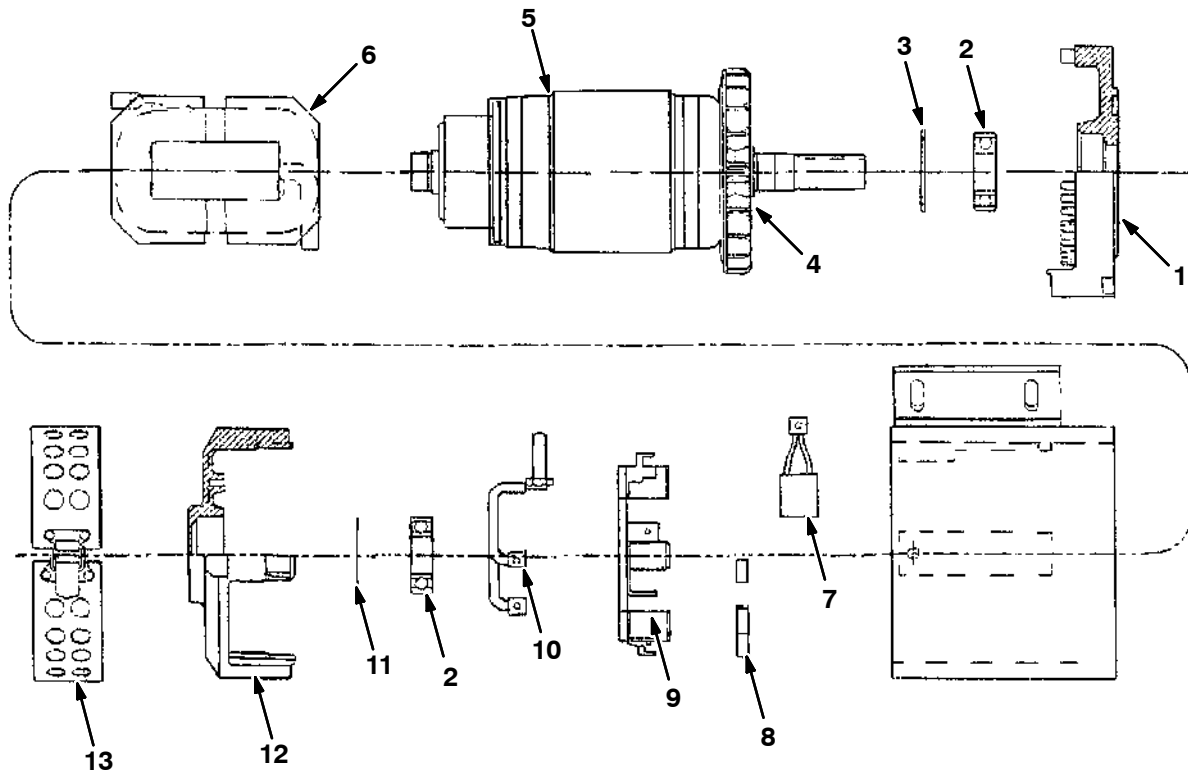
Fig. 11 - Electric Motor Breakdown, 16224



06861 - 6550E

Ref.	Part No.	Serial Number	Description	Qty.
▽	16224	(000000-) Motor, Electric	1
▲	1 41367	(000000-) Brush, Motor, Ele	4
▲	2 41368	(000000-) Bearing	1
▲	3 41371	(000000-) Bearing	1
▲	4 00918	(000000-) Key, Square	1
▲	5 24537	(000000-) Terminal, Female	2
▲	6 10925	(000000-) Connector, 2 Conductor	1
▲	7 375017	(000000-) Band Assembly	1
▲	8 21799	(000000-) Brush Ring/ Holder Assembly	1

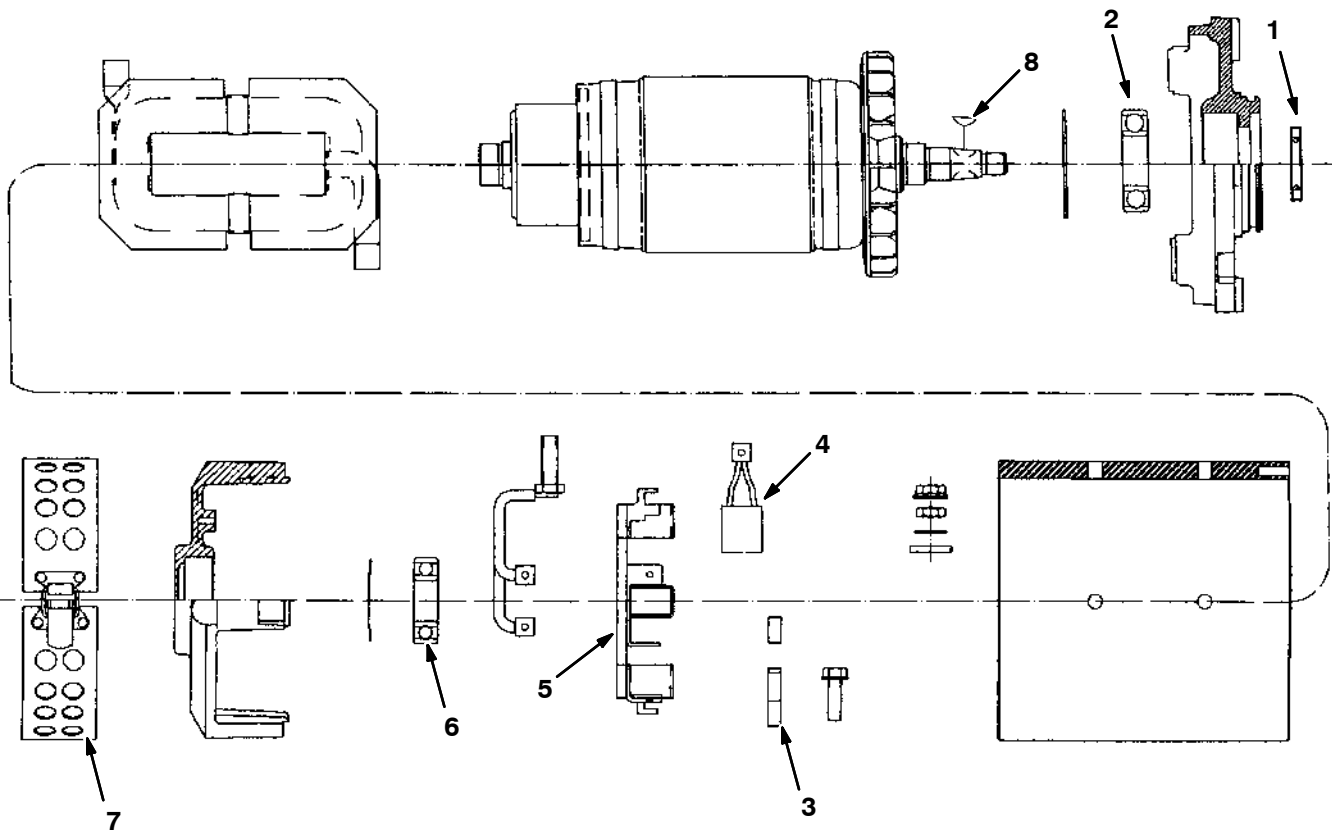
Fig. 12 - Electric Motor Breakdown, 360175



350405 - 6550E

Ref.	Part No.	Serial Number	Description	Qty.
▽	360175	(000000-) Motor, Electric, 36V 4.0 HP	1
▲	1 361965	(000000-) Drive Endhead	1
▲	2 48758	(000000-) Bearing	1
▲	3 361954	(000000-) Snap-Ring	1
▲	4 361966	(000000-) Armature Fan	1
▲	5 361967	(000000-) Armature and Fan Assembly	1
▲	6 361968	(000000-) Field Coil Kit	1
▲	7 385742	(000000-) Brush, Motor, Ele [AV#A91-112E]	4
▲	8 48755	(000000-) Brush Spring	4
▲	9 361969	(000000-) Brush Box and Plate Assembly	1
▲	10 361970	(000000-) lead Assembly Kit	1
▲	11 361971	(000000-) Wavy Washer	1
▲	12 361972	(000000-) Commutator Endhead	1
▲	13 361973	(000000-) Headband	1

Fig. 13 - Electric Motor Breakdown, 60198



10414 - 6550E

Ref.	Part No.	Serial Number	Description	Qty.
▽	60198	(000000-) Motor, Traction 3.0 Hp	1
▲	1 48753	(000000-) Seal	1
▲	2 48754	(000000-) Bearing	1
▲	3 48755	(000000-) Brush Spring	4
▲▽	4 363491	(000000-) Kit, Brush, Propelling Motor	4
▲▲	4 48756	(000000-) Brush	4
▲	5 48757	(000000-) Brush Box And Plate Assembly	1
▲	6 48758	(000000-) Bearing	1
▲	7 361973	(000000-) Headband	1
▲	8 00500-7	(000000-) Key-Wdruff 0.16 0.62 Asa#0505	1

SECTION 5

CONTENTS	PAGE
PART NUMBER TO PAGE NUMBER CROSS REFERENCE LIST	5-2
PART DESCRIPTION TO PAGE NUMBER CROSS REFERENCE LIST	5-8

CROSS REFERENCE

PART NUMBER TO PAGE NUMBER CROSS REFERENCE LIST

Part Number	Page Number	Part Number	Page Number	Part Number	Page Number
00500-10	2-59	09088	2-33	16735	2-37
00500-15	4-7, 4-9	09196	2-29	16786	2-49
00500-4	4-6	09244	2-47	16931	3-17
00500-7	4-13, 4-16	09294	2-31	16944	2-47, 2-55
00911	2-59	09342	2-7	17186	2-37
00915	2-70	09739	2-43	17200	2-45
00918	4-14	09740	2-39, 2-55	18778	2-75
00960	2-59	09744	2-43	19065	2-47
01314	2-7, 2-27	09900-1	2-69	19066	2-45, 2-47
01318	2-13, 2-15	1006558	2-13	19644	2-65
01543	2-61	1008120	2-13, 2-15	19768	2-25
01683	2-43	1011779	2-23	20020	2-61
01684	2-2, 2-7, 2-37, 2-39, 2-41, 2-45, 2-57, 3-17	1019481	2-8	20394	2-59
01685	2-2, 2-7, 2-39	1019961	2-69, 4-5	21246	2-7
01760	2-45	1020530	2-9	21799	4-14
01845	2-61	1024270	2-45	21915	4-3, 4-5
01998	2-65	1025228	2-49	222460	2-33, 2-35, 2-53, 2-55
02076	2-31, 2-70	10362	2-59	222809	2-7
02712	2-47	10632-1	2-45	22654	4-8, 4-9
02942	2-51	10632-17	2-75	22892	2-75, 3-12, 3-13
02994	2-23	10632-18	3-2, 3-3	23191	2-23
02995	2-23	10632-2	3-2, 3-3	23274	3-17
04483	2-3, 4-12	10632-4	2-71	23498	2-47
04706	2-47	10632-5	2-25	23524	2-43
04733-10	2-23	10632-8	2-11	23788-1	2-49
05582	2-61	10632-9	2-73, 3-4, 3-5	23788	2-35, 2-49
06418	2-29	10829	2-70	24199	2-43
06474A	2-37	10925	4-14	24537	4-14
06549	2-45, 2-47	11211	2-43	24899	2-57
06564	3-10	11608	2-25	25014	2-37
06750	2-70	11635	2-13	25122	2-67
06933	2-45	11636	3-15	25312	3-14
06943	2-37	11893	2-41	26103	2-43
06963	2-37	12263	2-37	26395-1	2-37
06969	2-13, 2-15	12267	2-53, 2-55	26395-2	2-47
06973	2-51	12271	2-17, 2-25	26523	2-77
07788	2-51	12274	2-45	27909	2-61
07791	2-39, 3-17	12459	2-2, 2-41, 3-17	27920	2-75
07792	3-17	12540	2-2, 2-31	28413	2-61
07793	2-45	13115	2-67	28622	2-77
07797	2-23, 2-69	13156	2-57	29558	2-53
07805	2-47, 2-57	13301	2-8, 2-9	29584	2-53
08143	2-59	13904	4-3, 4-5	30013	2-69
08175	2-29, 2-51	13907	4-3, 4-5	30251	2-57
08182	2-33, 2-43	14242	2-33	30252	2-57
08708	2-37, 2-47	14368	2-37	30253	2-57
08709	2-37	14397	2-37	30255	2-57
08712	2-2, 2-37, 2-39, 2-41, 2-43, 2-45	14400	2-37	30533	3-9
08713	2-2, 2-7, 2-39	14601	2-17	31354	4-7, 4-8, 4-9
08716	2-45	14983	3-15	31373	4-8
08823	2-85	15678	2-37, 2-39, 2-57	31375	4-7, 4-9
09007	2-2, 2-39, 2-41	16082	2-51	31380	4-8
09010	2-2, 2-39	16224	2-61, 4-14	31381	4-7, 4-9
09011	2-7	16369	2-37	31385	4-8
09026	2-43	16376	2-67	31566	2-65
09030	2-31	16455	2-49	31599	2-49
		16474	2-65	31613	2-67
		16695	4-7, 4-8, 4-9	31976	3-10

CROSS REFERENCE

Part Number	Page Number	Part Number	Page Number	Part Number	Page Number
31978	3-11	374552	2-29	383165	2-25
31979	3-11	374553	2-29	383227	2-11
32485	2-37	374573	2-53	385742	4-15
32486	2-13, 2-15	374710	2-33	386810	2-73, 2-77, 3-2, 3-3, 3-4, 3-5
32490	2-13, 2-45, 2-47	374711	2-33	387376	2-59
32491	2-37	375017	4-14	387387	2-59
32492	2-47, 2-51	375118	2-75	387388	2-59
32493	2-13, 2-15, 2-51	375249	2-47	387389	2-59
32525	2-59	375304	2-77	39005	2-33
32716	2-53, 2-55	37555	4-7, 4-8, 4-9	391852	2-69
32969	2-33	377425	2-61	391853	2-69
32982	2-47	378972	2-59	39210	2-69
32987	2-29	379530	2-47	39277	2-37
330350	3-19	379531	2-47	39284	3-17
330352	3-19	379532	2-51	39308	2-37, 2-49
330353	3-19	379534	2-51	39313	2-33
330354	3-19	379535	2-39	39349	2-37
330355	3-19	379551	2-45	39350	2-29
330710	3-19	379555	2-47	39396	2-51
330715	3-19	379556	2-47	39527	2-29, 4-7, 4-9
33520	3-11	379558	2-47	398284	3-12
33807	2-11	379560	2-47	398286	3-13
33930	2-39	379564	2-13	398287	3-12
34096	2-43	379565	2-15	398334	2-2
34176	4-7, 4-9	379572	2-7	39924	2-71
34252	3-8	379597	2-85	40362	2-67
34330	2-23	379607	2-51, 4-8	40607	2-47, 2-71
34392	2-43	379608	2-57, 4-9	40678	2-39
34725	2-43	379625	3-18	40755	2-70
35033	2-70	379629	2-2	41016	2-23
35432	2-29	379654	2-84	41346	2-45
360175	2-70, 4-15	379657	2-25	41359	2-37
360980	2-31	379660	2-25	41367	4-14
361954	4-15	379684	2-53	41368	4-14
361965	4-15	379686	2-53	41371	4-14
361966	4-15	379719	2-71	41430	2-37
361967	4-15	379750	2-2, 2-9	41561	2-59
361968	4-15	379751	2-2, 2-8	41698	2-61
361969	4-15	379752	2-7	42120-1	2-43, 2-49
361970	4-15	379755	2-8, 2-9	42120-4	2-29
361971	4-15	379756	2-8, 2-9	42227	2-11, 2-67
361972	4-15	379781	2-47	43611	2-37
361973	4-15, 4-16	379785	2-39	43958	2-29
36328	2-13, 2-15, 2-39, 2-45	379797	3-17	44078	2-27
363491	2-3, 4-16	379800	3-17	44681-1	3-3, 3-5
36593	2-59	379801	3-17	44681-2	3-3, 3-5
36801	2-37	379803	3-17	44681	3-3, 3-5
369702	2-71	379804	3-17	44868	2-69
369781	2-33, 2-35, 2-53, 2-55	379805	3-17	44869	2-57
369817	2-45	379806	3-17	44906	2-11, 3-17
370008	2-5	379807	3-17	45214	2-13
370009	2-5	379810	3-17	45272	3-4, 3-5
374504	2-59	379822	2-47	45283	3-2, 3-3, 3-4, 3-5
374505	2-59	379823	2-47	45391	2-45, 2-73
374507	2-41	379849	2-47	45430	2-61
374512	2-70	379871	2-13	45482	2-69
374517	2-7	379882	2-47	45628	4-7, 4-8, 4-9
374523	2-17	379883	2-45	45780	2-7
374548	2-69	379891	2-47	46559	2-51
374549	2-69	382516	2-25		

CROSS REFERENCE

Part Number	Page Number	Part Number	Page Number	Part Number	Page Number
47522	2-23	53965	2-51	55779	2-57
47745	2-51	53985	2-57	55795	2-29
47753	2-69	54013	2-2, 2-41	55807	2-31
47801	2-43	54014	2-2, 2-41	55808	2-31
47985	2-75, 3-10, 3-11	54030	2-11	55864	2-2, 2-41
48751	2-69, 4-3	54050	2-51	55879	2-39
48753	4-16	54079	2-49	55884	2-2, 2-39
48754	4-16	54089	2-2, 2-41	55889	2-41
48755	2-3, 4-15, 4-16	54096	2-43	55890	2-2, 2-39
48756	2-3, 4-16	54098	2-29, 4-12	55892	2-41
48757	4-16	54102	2-69	55893	2-43
48758	2-3, 4-15, 4-16	54115	2-69	55914	2-43
48760	2-69	54117	2-67	55965	2-39
48844	3-19	54118	2-55	56185	2-23
48985	2-33	54182	2-7	56198	2-23
49157	2-73, 2-77, 3-2, 3-3, 3-4, 3-5	54184	2-7	56228	2-57
49263	2-23, 2-25	54190	2-2, 2-7	56277	2-69
49266	2-31, 2-47, 2-71, 2-73, 3-2, 3-3, 3-4, 3-5	54192	2-7	56373	2-23
49681	2-37	54197	2-7	56379	2-23
49943	2-65	54199	2-57	56385	2-23
50231	4-13	54204	2-57	56392	2-23
50232	4-13	54345	2-23	56398	2-23
50233	4-13	54390	2-33	56641	2-53
50234	4-13	54400	2-33, 2-35, 2-53, 2-55	56662	2-53, 2-55
50235	4-13	54467	2-33	56692	2-51
50236	4-13	54577	2-33	56820	2-29
50257	2-75	54607	2-35	56821	2-51, 2-67
50960	2-70	54615	2-11	56835	2-23, 2-69
51021N	2-5	54616	2-35	56890	2-7
51109	2-35	54617	2-33	56914	2-8, 2-9
51225	2-51	54659	2-57	56992	2-11
51317	2-43, 2-57	54660	2-51	57164	2-75
51338	2-33	54663	2-55	57167	2-7
51339	2-33	54680	2-57	57173	2-65
51448	2-57	54693	2-57	57487	2-65
51449	2-57	54840	2-55	57702	2-11
51534	2-43	54848	2-53, 2-55	57751	2-75
51538	2-51, 3-17	54878	2-57	57772	2-11
51542	2-5	54922	2-5	57827	2-70
51545	2-35	54923	2-5	57935	2-23
51562	2-35	54925	2-5	57964	2-65
51564	2-57	54927	2-5	57978	2-69
51715	2-57	54934	2-53	57979	2-70
51824	2-31	54995	2-53, 2-55	58078	2-33, 2-43
52296	2-53, 2-55	55021	2-39	58103	2-2, 2-39
52402	2-57	55035	2-23, 2-27	58288	2-33
53091	2-17	55048	2-17	58297	2-11
53389	3-13	55248	2-71, 2-73, 3-2, 3-3	58359	2-49
53466	2-51	55347	2-15	58366	2-23
53492	2-37	55446	2-69	58494	2-17
53494	2-11	55462	2-49	58500	2-45
53839	2-11	55463	2-49	58518	3-2, 3-4
53898	2-67	55586	2-43	58519	3-2, 3-4
53900	2-67	55619	2-11	58520	3-2, 3-4
53903	2-45	55685	2-67, 2-69	58540	2-59
53909	2-45	55686	2-69	58595	2-11, 2-37
53910	2-43	55691	2-65	58596	4-10
53915	2-43	55693	2-65	58645	2-49
		55697	2-65	58665	2-23
		55740	2-2, 2-11	58667	2-23

CROSS REFERENCE

Part Number	Page Number	Part Number	Page Number	Part Number	Page Number
58748	2-23	59742	2-70	62595-23	2-11
58770	2-8, 2-9	59760	2-9	62595-3	2-23
58849	2-17	59761	2-8	62595-4	2-23
58872	2-53	59766	2-11	62595-6	2-45
58977	2-17	59771	2-11	630100	2-25
58999	2-17	59814	2-39	63852	2-23
59018	2-19	59821	2-39	64535	2-45
59019	2-17	59825	2-49	64595	2-17, 2-45
59040	2-59	59827	2-49	64886	2-29
59043	2-61	59828	2-19	64905	2-69
59046	2-61	59829	2-19	65232	4-8
59047	2-61	59830	2-19	65526	2-73
59048	2-61	59839	2-67	65665	2-25
59077	2-61	59842	2-49	66018	2-5
59094	2-59	59849	2-49	66019	2-5
59100	2-61	59861	2-49	66176	3-17
59105	2-2, 2-39	59866	2-49	66177	3-17
59125	2-77	59867	2-49	66211	2-33
59189	2-39	59870	2-13, 2-15, 2-69	66213	2-33
59192	2-8, 2-9, 2-13, 2-15, 2-17	59899	2-53	67767	2-23
59194	2-9	59924	2-31	68441	2-43
59195	2-8	59925	2-33	69234	2-27, 2-75
59335	2-2, 4-11	59928	2-31	69903	2-55
59377	2-19	59929	2-33	69904	2-7
59380	2-49	59931	2-11	69906	2-17
59384	3-9	59938	2-37	69907	2-17
59388	3-14	59940	2-23	69908	2-49
59440	2-5	59944	2-73, 3-4, 3-5	69909	2-27
59442	2-45	59950	2-25	69910	2-69
59448	2-45	59951	2-23	69915	2-7
59500	2-21	59960	2-25	69924	2-29
59514	2-17	59962	2-71	69925	2-29
59524	2-21	59965	2-43	69928	2-29
59530	2-69	59966	2-43	69931	2-8, 2-9
59537	2-8	59976	2-25	69933	2-35
59538	2-9	59977	2-25	69951	2-17
59542	2-49	59978	2-25	69952	2-17
59622	2-27	59980	2-77	69961	2-59
59623	2-27	59981	2-25	69968	2-11
59628	2-27	59986	2-75	69971	2-11
59629	2-27	59989	2-77	69972	2-13, 2-39
59636	2-27	59990	2-84	69990	2-59
59647	2-19, 2-27	59992	2-77	70006	2-67
59661	2-19	59993	2-75	70136	2-17
59665	2-21	59994	2-75	70142	2-17
59666	2-21	59995	2-75	70158	2-33
59680	2-2, 2-39	59996	2-75	70161	2-33
59681	2-2, 2-39	59999	2-75	70178	2-45
59685	2-2, 2-41	60192	2-31, 4-13	70185	2-45
59686	2-2, 2-41	60198	2-31, 4-16	70193	2-45
59687	2-2, 2-41	60282	2-84	70243	2-70, 4-6
59688	2-2, 2-41	60290	2-84	70248	2-15
59692	2-8, 2-9	60373	3-2, 3-4	70249	2-13
59695	2-15	61288	2-67	70252	2-15
59734	2-59	61490	2-2, 4-7, 4-9	70256	2-13
59737	2-45	61791	2-31	70271	2-49
59738	2-45	62172	2-69	70538	2-5
59739	2-45	62173	2-69	71373	2-33
59740	2-70	62595-18	2-61	71503	2-73
		62595-22	2-37	71505	3-2

CROSS REFERENCE

Part Number	Page Number	Part Number	Page Number	Part Number	Page Number
71507	3-3	72971	2-45	79802	4-3, 4-5
71509	3-4	74094	4-7, 4-8, 4-9	79803	4-3, 4-5
71511	3-5	74095	4-7, 4-9	79804	4-3, 4-5
71514	2-27	74098	4-7, 4-9	79805	4-3, 4-5
71518	2-85	74099	4-7, 4-9	79806	4-3, 4-5
71519	2-85	74100	4-7, 4-8, 4-9	79807	4-3, 4-5
71525	3-2, 3-3	74101	4-8	79808	4-3, 4-5
71527	2-75	74109	4-10	79812	2-3, 4-3, 4-5
71528	2-75	74110	4-10	79813	4-3, 4-5
71529	2-75	74111	4-10	79814	4-5
71530	2-75	74112	4-10	79815	4-3, 4-5
71531	2-75	74140	4-10	79820	4-3, 4-5
71533	2-71	74142	2-23	79821	4-3, 4-5
71534	2-75	74173	2-23, 4-10	79823	2-69
71535	2-7	74174	4-7, 4-9	81812	2-47
71537	2-37	74181	4-10	81922	2-47
71538	2-77	74182	4-10	82196	3-15
71539	2-77	74190	4-10	82226	2-25
71540	2-51	74191	4-10	82483	2-39
71548	2-73, 3-4, 3-5	74195	4-10	82739	2-71
71549	2-11	74218	4-10	82747	2-7
71551	2-65	74250	4-7, 4-8	82818	2-65
71552	2-65	74251	4-10	82831	2-57
71553	2-65	74269	4-6	82833	2-31
71554	2-65	74310	2-45	82839	2-37, 3-7
71555	2-65	74352	2-45	84581	2-51
71557	2-65	74353	2-45	84585	2-70
71558	2-65	74380	3-17	84599	2-70
71559	2-65	74381	3-17	84624	2-69
71560	2-29	74382	3-17	86240	2-33, 2-35, 2-55
71562	2-67	74383	3-17	86330	2-11, 3-2, 3-3
71569	2-27	74419	2-49, 4-11	86332	3-2, 3-3
71571	3-7	74456	2-13	86333	2-11, 3-4, 3-5
71572	2-75	74468	2-57, 4-7	86371	2-27
71573	2-75	75028	2-51	86375	2-77
71574	4-10	75128	2-19	86379	2-77
71578	2-7	75430	2-37	86381	2-77
72040	2-31	76062	2-77	86392	2-77
72066	2-2	76316	2-29	86393	2-75
72067	2-2	77097	2-43, 2-49	86395	2-75
72068	2-2	77320	2-47	86396	2-75
72082	3-7	77399	2-11, 2-27	86751	2-35
72083	3-7	78787	2-43	87299	2-59
72084	3-7	79425	2-2, 2-47	87355	2-31
72087	3-17	79785	4-3, 4-5	87359	2-31
72120	2-8, 2-9	79786	4-3, 4-5	87460	2-45
72132	2-35	79787	4-3, 4-5	87469	2-31
72154	2-19	79788	4-3, 4-5	87482	2-77
72159	2-39	79789	4-3, 4-5	87483	2-77
72164	2-73	79790	4-3, 4-5	87536	2-25
72168	2-7	79791	4-3, 4-5	87631	2-57
72169	2-7	79792	4-3, 4-5	87677	2-43
72171	2-73	79793	4-3, 4-5	87709	3-3, 3-5
72172	2-73	79794	4-3, 4-5	87718	2-37
72174	2-73	79795	4-3, 4-5	87725	2-37
72175	2-77	79796	4-3, 4-5	87749	2-31
72176	2-13, 2-15	79798	4-3, 4-5	87750	2-2, 2-31
72179	2-13	79799	4-3, 4-5	87838	2-59
72473	2-13	79800	4-3, 4-5	87839	2-31
72968	2-8, 2-9	79801	4-3, 4-5	87840	2-31

Part Number	Page Number
87841	2-31
87849	2-31
87864	4-13
87866	2-2, 2-25
87957	2-37
9001557	2-49
9003291	2-25
97163	3-7

PART DESCRIPTION TO PAGE NUMBER CROSS REFERENCE LIST

A

Accelerator Unit, Curtis, 2-37
 Adaptor, Motor, EE, 2-31
 Adaptor, Pump Drive, Mach, 2-70
 Alarm Kit Bu A/V 355E, 2-73
 Ammeter, 36Vdc, 2-27
 Angle, Cable Keeper, 2-33, 2-35, 2-53, 2-55
 Angle, 2-39, 3-17
 Arm Assy, Hopper w/Label, 2-49
 Arm Assy, Lift, 2-51
 Arm Assy, Safety w/Label, 2-49
 Arm Wldt, Brush, Lh, 2-57
 Arm Wldt, Idler, W/Brush, 2-57
 Arm Wldt, Idler, 2-61
 Arm Wldt, 2-37
 Armature Ge, 4-13
 Armature and Fan Assembly, 4-15
 Armature Fan, 4-15
 Armrest Assembly, Lh & Rh, 3-8

B

Ball Brg, Ge, 4-13
 Ball, Valve, Hyd, 4-5
 Ball, 4-3
 Balljoint .250-28, 2-17
 Balljoint M 6X1.0, 2-37
 Band Assembly, 4-14
 Band Kit, EE, 2-70
 Bar Wldt, Shaker, 2-47
 Bar, Link, 2-43
 Battery Set, 3-10, 3-11
 Battery, 18V, 600 Amp Hr, Wet, 3-10
 Battery, 18V,600Ah,Wet Ee Lh, 3-11
 Battery, 18V,600Ah,Wet Ee Rh, 3-11
 Bearing and Housing Assy, Hu, 2-31
 Bearing Thrust, 4-8
 Bearing, Ball Ge, 4-13
 Bearing, Ball, 0.67B 1.57D 0.47W, 2-59
 Bearing, Flg. .375 Bore, 2-61
 Bearing, Journal 1.25 Idx1.0Lg, 2-49
 Bearing, Needle, 4-10
 Bearing, Self Aligning, 2-55
 Bearing&Clr , 1.25B 2.44D 1.41W, 2-57
 Bearing-Ball,0.39B 1.18D 0.35W, 2-61
 Bearing-Ball,0.67B 1.57D 0.47W, 2-59
 Bearing-Ball,1.38B 2.83D 0.67W, 2-57
 Bearing-Cone, 1.38Bore 0.71Wth, 2-33
 Bearing-Cup , 2.56Dia 0.55Wth, 2-33
 Bearing-Flange,2 Hole .625Bore, 2-43
 Bearing-Self Align 1.250 Bore, 2-43, 2-49
 Bearing-Self Align,1.000 Bore, 2-29
 Bearing, 2-3, 4-14, 4-15, 4-16
 Bellows Assy, Brush Lift, 2-55
 Bellows Assy, Valve, 2-27
 Belt, Seat, 3-9
 Belt, V, 2-61
 Blade, Deflector, 2-7
 Block, Fuse, 2-77

Bolt, Eye, .25-20x1.5x .56 Eye, 2-41
 Bolt, Latch, 2-19
 Bolt-Carrm 8X1.25 40 4.6 Pltd, 2-7
 Bolt, 2-2
 Boot, Switch, Ignition, 2-25
 Boot, Switch, 2-25
 Boot-Circuit Breaker, 2-75
 Box, Electrical w/label, 2-75
 Brachet, Mtg, Hinge, Lh, [6600], 2-9
 Bracket Wldt, Hpr Cvr Sprng, 2-45
 Bracket Wldt, Light, Rotating, 2-73, 3-4, 3-5
 Bracket Wldt, Mtg, Steering,Lh, 2-23
 Bracket Wldt, Mtg, Steering,Rh, 2-23
 Bracket Wldt, Notched, 2-23
 Bracket Wldt, S Br Lift, 2-53
 Bracket Wldt, Valve, 2-23
 Bracket, Battery, 2-7
 Bracket, Cable Spring, 2-45
 Bracket, Connector (EE), 2-27
 Bracket, Deflector, Eng Cover, 2-17
 Bracket, Door, 2-19
 Bracket, Filter, Hold Down, 2-47
 Bracket, Flap, Recirculation, 2-7
 Bracket, Grill [6600/6650], 2-15
 Bracket, Grill [6600/6650], 2-13
 Bracket, Gusset, Corner, Lh, 2-45
 Bracket, Gusset, Corner, Rh, 2-45
 Bracket, Inside, 2-11
 Bracket, Latch, Bolt, Eng Cover, 2-17
 Bracket, Latch, Door, 2-19
 Bracket, Latch, Eng Cover, 2-17
 Bracket, Mtg. Latch, 2-13
 Bracket, Mtg, Fan, 2-61
 Bracket, Mtg, Hinge, Rh, [6600], 2-8
 Bracket, Mtg, Latch, 2-15
 Bracket, Mtg, Motor, Side Brush, 2-51
 Bracket, Mtg, Motor, 2-70
 Bracket, Mtg, Tank, 2-67
 Bracket, Mtg, Valve, 2-69
 Bracket, Pedal Mount, Lh, 2-37
 Bracket, Pin, Pivot, Rh, 2-13
 Bracket, Rear Grill Stop Bolt, 2-15
 Bracket, Side Brush, 2-53
 Bracket, Stop Bolt, Rear Grill, 2-13
 Bracket, Tiedown, 3-15
 Bracket, 2-11, 2-53, 2-55, 3-17
 Brake Assy, 2-33
 Brake Repair Kit, 2-33
 Brake Shoes, 2-33
 Breaker-Circuit, 5 Resetbl, 2-75
 Breaker-Circuit, 10 Resetbl, 2-75
 Breaker-Circuit, 40 Resetbl, 2-75
 Breaker-Circuit, 90 Amp Reset, 2-75
 Breather, Hyd 6Psi Fill 2.4", 2-67
 Breather, Hyd Cap 40 Mic 2.4 Ds, 2-67
 Brg, Brake, 2-35
 Brkt,Pedal Mtg. R.H., 2-37
 Brush Box And Plate Assembly, 4-16
 Brush Box and Plate Assembly, 4-15
 Brush Holder Ge, 4-13

Brush Ring/ Holder Assembly, 4-14
 Brush Set (4), Ele Motor, 4-13
 Brush Spring, 4-15, 4-16
 Brush, Motor, Ele [AV#A91-112E], 4-15
 Brush, Motor, Ele, 4-14
 Brush-Side Swp, Flatwire, 2-5
 Brush-Side Swp, Polypropylene, 2-5
 Brush-Side Swp, Soft Nylon, 2-5
 Brush-Sweep Spl, Fiber/Wire, 2-5
 Brush-Sweep Spl, Polypropylene/Wire, 2-5
 Brush-Sweep Spl, Polypropylene, 2-5
 Brush-Sweep Spl, Soft Nylon, 2-5
 Brush-Sweep Spl, Wedge, Polypropylene, 2-5
 Brush-Sweep Spl, Windrow, Polypropylene, 2-5
 Brush-Sweep Spl, Wire, 2-5
 Brush, 2-3, 4-16
 Bulb, 12V .5A 4Cp#1157, 2-7
 Bulb, 40V .9A 50Cp#1062, 3-4, 3-5
 Bulb, 40V .9A 50Cp#1062, 3-2, 3-3
 Bumper Wldt, Front, 2-45
 Bumper, Safety Arm, 2-49
 Busbar, Ground, 2-77
 Busbar, Relay, 2-77
 Busbar, 2-77
 Bushing Assy, Flng, 4 Hole, 1.57b, Stl, 2-59
 Bushing, Flange, 3-17
 Bushing, Isolator-Inner,Rbr., 2-69
 Bushing, Valve, Hyd, 4-5
 Bushing, 4-3
 Button, Plug, 0.50h .03-.12 [Black Nyl], 2-11

C

Cable, 9" Bundle Dia., 2-7
 Cable, Brake, Service, 2-33
 Cable, Cover, Safety, 2-45
 Cable, Door, Access, 2-11
 Cable, Lift, M Br, 2-55
 Cable, Lift, S Br, 2-53
 Cable, Parking Brake, 2-35
 Cabletie Mount, Adhesive, 2-71, 3-2, 3-3
 Cap Assembly, 4-3
 Cap Assy, Valve, Hyd, 4-5
 Cap Assy, 4-5
 Cap, End, 4-10
 Cap, Hub, 2-33
 Cap, Screw Cl, 4-7, 4-9
 Cap, Screw, 4-7, 4-9, 4-10
 Cap, Tube, 2-23
 Chain, Link#2/0, 5Links Plain (Standard), 2-7
 Channel Wldt, Corner Post, 2-13
 Channel Wldt, Outlet, Fan, 2-59
 Channel, Retainer, Seal, Rear, 2-7
 Charger, 36V,120A, 50Hz, 3Ph, 480V, 3-13
 Charger, 36V,120A, 50Hz,1Ph, 3-13
 Charger, 36V/120A 60H/1Ph, 3-12

Charger, 36V/120A 60H/3Ph, 3-12
 Chrome Pltd Cam Shft, 2-33
 Clamp, Bridge, 4.0, 2-47
 Clamp, Cable, 2-39, 2-47
 Clamp, Hose, 2-51, 2-57
 Clamp, Steering, 2-31
 Clamp, Wormdrive, 2-47
 Clamp-Cable, 0.56Dia 0.38Wth, 2-37
 Clamp-Cable, 0.69D 0.62W Stl, 2-23
 Clamp-Cable, 1.00Dia. .62Wth, 2-27, 2-75
 Clamp-Cable, 1.25Dia 1.00W Neo, 2-23
 Clamp-Cable, 2.25Dia 1.00Wth, 2-23
 Clevis Wldt, Adj, .50pin 0.50-20, PI, 2-33
 Clevis, Adj, 0.38pin, 0.50 - 20, 2-33
 Clevis, Adjustable, 2-33
 Clip Safety, 2-45
 Clip, [Pine-Tree], .236h, Plstc, 2-11
 Clip, Cable, 2-33
 Clip, Pine-tree .236h Plastic, 2-27
 Clip, Spring, 2-17
 Collar, Locking, 2-43
 Column, Steering, 2-23
 Commutator Endhead, 4-15
 Cone, Valve, Hyd, 4-5
 Cone, 4-3
 Connector, 2 Conductor, 4-14
 Connector, Andersn 175Amp, Gray, 2-75, 3-12, 3-13
 Connector, Andersn 175Amp, Orng, 2-75, 3-10, 3-11
 Contact, Switch, 2-25
 Contactor, 36 Volt/SPDT, 2-77
 Contactor, 36 Volt/Spdt, 2-77
 Contactor, 36 Volt/Spno, 2-77
 Contactor, 36V, Spno, 200A, 2-77
 Contacts, Switch, 2-25
 Controller, Adjusted to 200A, 2-77
 Cord, Sponge, 2-2, 2-41
 Coupling, Flex, 2-70
 Cover Wldt, Engine, 2-17
 Cover Wldt, Sppt, Seat, 2-11
 Cover, Belt, Fan, 2-61
 Cover, Filter Panel, 2-47
 Cover, Hopper, 2-45
 Cover, Steering, 2-23
 Cover, Terminal, 2-31, 2-70
 Cover, 3-17
 Cylinder, Hyd, 2.5b 28.4l 15.00strk 2500, 2-49
 Cylinder, Hydraulic, 4-11, 4-12
 Cylinder-Hyd (See Breakdowns), 2-29, 2-49
 Cylinder-Hyd, 2.0X 4.0Da2500Psi, 2-43

D

Decal, Fuse 100 Amp, 2-75
 Detent Adaptor, Valve, Hyd, 4-5
 Detent Adaptr, 4-3
 Diode Assy, 2-71, 2-73, 2-77, 3-2, 3-3, 3-4, 3-5

Door Wldt, Brush, Lh, 2-9
 Door Wldt, Brush, Rh, 2-8
 Door Wldt, Dump, 2-41
 Door Wldt, 2-19
 Door, Dust, 2-43
 Drive Endhead, 4-15
 Drive, 4-7, 4-8, 4-9, 4-10
 Driving Gear Hu, 2-31
 Duct Wldt, Transition, Vac Fan, 2-59
 Duct, Vinyl .40X .75X 3.5 .25D, 2-11, 3-4, 3-5
 Duct, Vinyl .40X .75X10.0 .25D, 2-11, 3-2, 3-3
 Duct, Vinyl .40X .75X26.0 .25D, 3-2, 3-3
 Duct, Vinyl 1.5x.75x3.0, 2-73
 Duct, Vinyl, 2-45
 Dust Control Kit, Sidebrush (Metal), 3-17

E

End Cap, 4-8
 Extinguisher Kit Fire 355L, 3-14
 Extinguisher, Fire, 3-14

F

Field Coil Kit, 4-15
 Filter Assy, Spin-On 10Micron, 2-11
 Filter Element Ph, 2-11
 Filter Pkg Kit, 098plts, Ci (Option), 2-47
 Filter Pkg, Panl, Syn, 94plts, 2-47
 Filter, Dust, Panel, Perma Filter, 2-39
 Filter, Oil, Hyd, 2-2
 Fitting, Plug, O-Ring, #6, Valve, 4-5
 Fitting, Plug, O-Ring, 4-5
 Fitting, Plug, W/ O-Ring, Valve, Hyd, 4-5
 Flange Mounting, 4-7, 4-9
 Flange, Bearing, 2-59
 Flange, Mounting, 4-8
 Flange, Brg, 3 Hole, 2-57
 Flasher, 12-48 VDC, 2-73
 Foam, Acoustic, Hopper, 2-47
 Foam, Door, Engine, Side, 2-19
 Foam, Engine Cover, 2-17
 Frame Wldt, Main 6550E, 2-7
 Ftg, Breather, 2-71
 Ftg, Grease .25-28Th Strt .63L, 2-43
 Ftg, Grease.12 Npt Strt .66L, 2-29
 Ftg-Brs Str Bm03/Pm02, 2-71
 Ftg-Brs Str, 2-47
 Ftg-Hyd E45 Jm04/Jf04, 2-43
 Ftg-Hyd E45 Jm06/Om06, 2-23
 Ftg-Hyd E45 Jm08/Jf08, 2-23, 2-69
 Ftg-Hyd E90 Jm04/jf04, 2-69
 Ftg-Hyd E90 Jm04/Om04, 2-43, 2-49
 Ftg-Hyd E90 Jm06/Om06, 2-29
 Ftg-Hyd E90 Jm08/Om08, 2-69
 Ftg-Hyd E90 Jm08/Om10, 2-51, 2-67
 Ftg-Hyd E90 Jm12/Jf12, 2-70
 Ftg-Hyd Plg Jm08, 2-67
 Ftg-Hyd Plg Om10, 2-67
 Ftg-Hyd Rst Jm04/.047, 2-49

Ftg-Hyd Str Jf06/Om06, 2-29
 Ftg-Hyd Str Jm04/Jf08, 2-70
 Ftg-Hyd Str Jm04/Om04, 2-43
 Ftg-Hyd Str Jm04/Om06, 2-67, 2-69
 Ftg-Hyd Str Jm04/Om08, 2-69
 Ftg-Hyd Str Jm06/Jf08, 2-69
 Ftg-Hyd Str Jm06/Om04, 2-70
 Ftg-Hyd Str Jm06/Om08, 2-57
 Ftg-Hyd Str Jm08/Om06, 2-23, 2-69
 Ftg-Hyd Str Jm08/Om08, 2-57
 Ftg-Hyd Str Jm08/Om10, 2-51
 Ftg-Hyd Str Jm08/Om12, 2-11, 2-67
 Ftg-Hyd Str Jm12/Om10, 2-70
 Ftg-Hyd Str Jm12/Om20, 2-67
 Ftg-Hyd Str Special Om06/Om06, 2-69
 Ftg-Hyd Tee Jm04Jmbjm, 2-43
 Ftg-Hyd Tee Jm04OmJm, 2-49
 Ftg-Hyd Tee Jm06Jmom, 2-29
 Ftg-Hyd Tee Jm08Jmjf, 2-69
 Ftg-Hyd Tee Jm08Jmjb, 2-69
 Ftg-Hyd Tee Jm08Jmom, 2-70
 Ftg-Hyd Tee Special Of06Of0f, 2-69
 Fuse, 100 Amp, 2-77

G

Gasket, Cover, 2-75
 Gasket, Hyd Tank Breather, 2-67
 Gauge, Fluid Level, 2-67
 Gearbox, Hu, 2-31
 Gerotor Set, 4-7, 4-8, 4-9, 4-10
 Grease Ftg Hu, 2-31
 Grill, Filler, Door, Rh, 2-13
 Grille, Door, Lpg, 2-13
 Grille, Fiberglass, Lh, 2-15
 Grille, Rh (Replaced by 377045), 2-13
 Grommet, Rbr, 0.25ld, For .09Matl, 2-25
 Grommet, Rbr, 0.44ld, For .12Matl, 2-75
 Grommet, Rbr, 0.50ld, For .12Matl, 2-75
 Grommet, Rbr, 0.56ld, For .13Matl, 2-73, 3-4, 3-5
 Grommet, Rbr, 0.62ld, For .06Matl, 2-71
 Grommet, Rbr, 0.63ld, For .13Matl, 3-2, 3-3
 Grommet, Rbr, 0.69ld, For .25Matl, 3-2, 3-3
 Grommet, Rbr, 0.75ld, For .13Matl, 2-11
 Grommet, Rbr, 1.06ld, For .19Matl, 2-45
 Grommet, Rbr, 1.62ld, For .13Matl, 2-23
 Guard Kit Overhead 355E, 2-21
 Guard Wldt, Lights, Revl&Flsh, 3-4, 3-5
 Guard Wldt, Oh, Top, 2-21
 Guard, Brush, 2-51
 Guard, Light, 2-73
 Guard, String, Brush Motor, 2-51

H

Handle Assy, Latch, Eng Cover, 2-17
 Handle, Control Valve, 2-69
 Handle, Lift, Brush, 2-47
 Handle, Safety Arm, 2-49
 Handle, Valve, 2-69
 Harness, Alarm & Lrc Lite, 3-4, 3-5

CROSS REFERENCE

Harness, Alarm, Backup 355E, 2-73
Harness, Battery, 2-75
Harness, Control Box, 2-77
Harness, Controller, 2-75
Harness, Fan, 2-75
Harness, Filter Shaker, 2-84
Harness, Hopper, 2-84
Harness, Horn, 2-84
Harness, Main 355E, 2-84
Harness, Revol Light 355E, 3-2, 3-3
Headband, 4-15, 4-16
Hinge Wldt, Cover, Lh, 2-59
Hinge Wldt, Cover, Rh, 2-59
Hinge Wldt, Door, Engine, 2-19
Hinge, Coverhopper, 2-45
Hinge, Door, Brush, 2-8, 2-9
Hopper Wldt, 355/385 Ss, 3-18
Hopper Wldt, 2-39
Horn Assy, Back-Up Alarm, 2-73
Horn, 36Vdc, Db, 2-71
Hose, Vacuum, 2-47, 2-71
Hose-Hyd Low04 Jf/J4, 2-65
Hose-Hyd Low04 Jf/J9, 2-65
Hose-Hyd Low08 Jf/J4, 2-65
Hose-Hyd Low08 Jf/J9, 2-65
Hose-Hyd Low08 Jf/Jf, 2-67
Hose-Hyd Low12 Jf/J4, 2-65
Hose-Hyd Med04 Jf/J4, 2-65
Hose-Hyd Med04 Jf/J9, 2-65
Hose-Hyd Med04 Jf/Jf, 2-65
Hose-Hyd Med06 Jf/J9, 2-65
Hose-Hyd Med06 Jf/Jf, 2-65
Hose-Hyd Med08 Jf/J4, 2-65
Hose-Hyd Med08 Jf/J9, 2-65
Hose-Hyd Med08Jf/Jf, 2-65
Housing Assy, Ele,Power Supply, 2-23
Housing Cl, 4-7, 4-9
Housing Wldt, Fan, Vacuum, 2-59
Housing, Headlight, Hopper, 2-45
Housing, 4-8
Hub Assy, Brush Arm, 2-57
Hub, Pivot, 2-43
Hub, Side Brush, Machining, 2-51
Hyd Cap Gasket Lh, 2-67

I

Impeller, 9.00 Dia X 0.376B, 2-59
Instruction, Repair, Valve, Hyd, 4-5
Insulation, Acoustic, Engine, 2-17
Insulation, Acoustic, Hopper, 2-39
Insulation, Acoustic, Panel, 2-11
Insulation, Acoustic, Plate, 2-37
Insulation, Acoustic,Eng Cover, 2-59
Insulation, Acoustic, 2-27
Insulation, Foam, 2-47, 3-17
Insulator, Panel & Switchboard, 2-77
Isolator Assy, Valve, 2-69

K

Key Set,Switch Ku, 2-25

Key, Square 0.12 0.12 00.50 Lg, 2-59
Key, Square 0.18 0.18 00.75 Lg, 2-59
Key, Square, 2-70, 4-14
Key, Switch, Set Of Two, 2-2
Key, Woodruff, 0.19 0.75, [Asa#0606], 2-59
Key-Wdruff 0.12 0.50 Asa#0404, 4-6
Key-Wdruff 0.16 0.62 Asa#0505, 4-13
Key-Wdruff 0.16 0.62 Asa#0505, 4-16
Key-Wdruff 0.25 1.00 Asa#0808, 4-7, 4-9
Kit, Brush, Propelling Motor, 2-3, 4-16
Kit, Detent I&O, 4-3
Kit, Detent In, 4-5
Kit, Detent Out, Valve, Hyd, 4-5
Kit, Detent Out, 4-3
Kit, Detent, Valve, Hyd, 4-5
Kit, Fltr, Fine Particle, 2-2
Kit, Maint, 800hr [6550 E], 2-2
Kit, Repair, Shaft Assy, 2-59
Kit, Repair, Shaft W/ Key, 2-59
Kit, Replmt, Connector, Cable, Brake, 2-33
Kit, Replmt, Seal, 2-2
Kit, Seal, Hyd, Valve, 2-3
Kit, Seal, Hyd, 2-2, 2-3
Kit, Seal, Valve, Hyd, 4-5
Knob, 1.375 Dia, Black, 2-69
Knob, Adjusting, 2-53, 2-55
Knob, Tapered M8, 2-23
Knob, Tapered, 2-53, 2-55

L

Label Set, Info & Hazard 6550E, 2-85
Label Set, Operational 6550E, 2-85
Label, EE, 2-85
Label, Logo- 10.0 Blue, 2-45
Label, Numerals 6550, 2-85
Latch, Bolt, 2-8, 2-9, 2-13, 2-15, 2-17
Latch, Draw, Flexible, 3-15
Latch, Hook, Lh, 2-9, 2-15
Latch, Hook, RH, 2-13
Latch, Hook, Rh, 2-8
Latch, 2-17, 2-19, 2-57
lead Assembly Kit, 4-15
Lead,Crssovr Ge, 4-13
Lens,Flashing Lite Fr207 Amber, 3-2, 3-4
Lens,Flashing Lite Fr207 Blue, 3-2, 3-4
Lens,Flashing Lite Fr207 Red, 3-2, 3-4
Lens,Rev.Light,Amber, 3-3, 3-5
Lens,Rev.Light,Blue, 3-3, 3-5
Lens,Rev.Light,Red, 3-3, 3-5
Lever Wldt, M Br, 2-55
Lever Wldt, S Br, 2-53
Lever Wldt, Tilt, 2-23
Lever, Brake, 2-35
Light Assy, Back-Up, 2-73
Light Kit Flsh Lrc 355E, 3-4
Light Kit Flsh Ohg 355E, 3-2
Light Kit Revl Lrc 355E, 3-5
Light Kit Revl Ohg 355E, 3-3
Light, Flsh, Amber, 36V,Rework, 3-2, 3-4
Light, Head/Rnd 36V 1.7A #4350, 2-73
Light, Red/Rnd 36V 1.7A #4350, 2-45
Light, Rev. Amber 36V-Rework, 3-3, 3-5

Link Assy, Valve Handle, 2-69
Link, Drag, Machining, 2-29

M

Maint Kit, Seals 355L, 2-2
Maint Kit, Skirts 355L, 2-2
Maint,Kit, Shaker Filter, 355L, 2-2
Manual Op/Mt 6550E French, 3-19
Manual Op/Mt 6550E Japanese, 3-19
Manual Op/Mt 6550E Spanish, 3-19
Manual Pkg 6550E, 3-19
Manual Service 6550E, 3-19
Manual, Cd-Rom, Oprtr & Parts, All [Na], 3-19
Manual, Cd-Rom, Service, 3-19
Microswitch Kit Cf, 2-77
Module, Shaker, 36V, 2-47
Molding, Trim 11-14Ga 7.50, 2-45
Molding, Trim 11-14Ga 5.75, 2-23
Molding, Trim 11-14Ga 10.00, 2-23
Molding, Trim 11-14Ga 22.80, 2-11
Molding, Trim 11-14Ga 14.20, 2-37
Molding, Trim 11-14Ga 3.00, 2-61
Motor, 2.0 Hp, EE, (See Breakdowns), 2-31
Motor, 2.0 Hp,36 Vdc, 4-13
Motor, Ele (See Breakdowns), 2-70
Motor, Ele 1 Hp (See Breakdowns) (Repl. by 377425AM), 2-61
Motor, Ele, 36Vdc 1.00Hp 2200Rpm 28.0A, 2-61
Motor, Electric, 36V 4.0 HP, 4-15
Motor, Electric, 4-14
Motor, Hyd Gear In 02.8 B 1500, 4-7, 4-9
Motor, Hydraulic, 4-8
Motor, Traction 3.0 Hp, (See Breakdowns), 2-31
Motor, Traction 3.0 Hp, 4-16
Motor-Hyd Gear (See Breakdowns), 2-51, 2-57
Mount, Cable Tie, 2-73
Mount, Headlight, 2-45

N

Nut, Hex, Flange, M08-1.25, 2-39
Nut, Hex, Flange, M8, 3-17
Nut, Hex, Flng, M12 X 1.75, 2-45
Nut, Hex, Jam, .50-20, 2-33
Nut, Hex, Lock, .31-18, NI, 2-45
Nut, Hex, Lock, .75-10, NI, 2-29
Nut, Hex, Lock, M05 X 0.8, NI, 2-45
Nut, Hex, Lock, M05-0.8, NI, Ss, 2-43
Nut, Hex, Lock, M06-1.0, NI, Ss, 2-39, 2-41, 2-43, 2-45
Nut, Hex, Lock, M08-1.25, NI, Ss, 2-7, 2-39
Nut, Hex, Lock, M10 X 1.5, NI, 2-37
Nut, Hex, Lock, M5 X 0.80, NI, 2-47
Nut, Hex, Lock, M6 X 1.0, NI, 2-37
Nut, Hex, Lock, M6 X 1.0, Ss, NI, 2-37
Nut, Hex, Lock, M6 X 1.00, NI, 2-47

Nut, Hex, Lock, M8 X 1.25, NI, 2-37
 Nut, Hex, M10, 3-17
 Nut, Hex, Std, .38-16, 2-37
 Nut, Hex, Std, .75-16, 2-29
 Nut, Hex, Std, M12 X 1.75, Ss, 2-51
 Nut, Hex, Std, M12 X 1.75, 2-33
 Nut, Hex, Std, M6 X 1.0, 8, 2-37
 Nut, Retainer R/.312 Dia, 2-49
 Nut, U M 6X1.0 Pltd, 2-17, 2-25
 Nut, U M 8X1.25 Pltd, 2-11
 Nut, U, M8 X 1.25, 2-37
 Nut, Wheel, M14-1.5, 2-2
 Nut-Hx Jam M10x1.5 Ss, 2-53, 2-55
 Nut-Hx Jam M20x1.5 4 Pltd, 2-23
 Nut-Hxflexloc .31-24 Thin Pltd, 2-59
 Nut-Hxlocnyln .50-20 Thin Pltd, 2-31
 Nut-Hxlocnyln M 6X1.0 Reg Ss, 2-2
 Nut-Hxlocnyln M 8X1.25 Reg Ss, 2-2
 Nut-Hxslot .75-16 Pltd, 2-29, 4-7, 4-9
 Nut-Hxslot 1.00-20 Pltd, 2-33
 Nut-Wheel M14 X 1.5, 2-31

O

O-Ring Hu, 2-31
 Output Shaft, 4-8

P

Pad, Rubber, 2-35
 Pad, Tread, 2-37, 3-7
 Pad, 2-35
 Panel Assy, Instr, Rework, 2-25
 Panel Wldt, Sppt, Seat, 2-11
 Panel, Filler, Upper, 2-11
 Panel, Inside, 2-11
 Panel, Side Assy, W/Label, 2-27
 Panel, Support, 2-53
 Pedal Wldt, E.V., 2-37
 Pedal Wldt, 3-7
 Pedal, Adjustable Kit, 3-7
 Pedal, Propel, Adj, Upper, 3-7
 Pin Assy, Clevis, Hopper Lift, 2-49
 Pin Assy, Side Brush W/Clip, 2-51
 Pin Clevis .375 Dia X 1.13 Lg, 2-33, 2-55
 Pin, Arm, Safety, 2-49
 Pin, Clevis .375 Dia X 1.13 Lg, 2-35
 Pin, Clevis .75 Dia X 5.5 Lg, 2-51
 Pin, Clevis, 0.50 D X 1.25l, 2-33
 Pin, Clevis, 3-7, 3-17
 Pin, Cotter, .094 X 0.75, 2-33
 Pin, Cotter, .125 X 1.00, 2-33
 Pin, Cotter, .125 X 1.25, 2-29, 2-51
 Pin, Cotter, 2-43
 Pin, Grooved, 2-49
 Pin, Hair Cotter .437D .092Wire, 2-11
 Pin, Hair Cotter, 2-51, 3-17
 Pin, Lh, 2-49
 Pin, Pivot, Upper, 2-15
 Pin, Pivot, 2-13
 Pin, Rh, 2-49
 Pin, Steering, 2-29

Pin, Clevis, 0.25 Dia. X 2.44 Lg, 2-23
 Pin, Clevis, 0.37 Dia. X 1.00 Lg, 2-33
 Pin, Clevis, 0.37 Dia. X 1.50 Lg, 2-53
 Pin, Clevis, 0.37 Dia. X 2.00 Lg, 2-53
 Pin, Clevis, 0.37 Dia. X 3.00 Lg, 2-23
 Pin, Clevis, 0.50 Dia. X 1.25 Lg, 2-43
 Pin, Clevis, 0.50 Dia. X 2.00 Lg, 2-43
 Pin, Clevis, 0.50 Dia. X 2.25 Lg, 2-43
 Pin, Clevis, 0.50 Dia. X 3.50 Lg, 2-37
 Pin, Clevis, 0.50 Dia. X 5.00 Lg, 2-51
 Pin, Clevis, 0.50 Dia. X 5.50 Lg, 2-51
 Pin, Dowel, 0.3127Dia. X 1.00 Lg, 2-31
 Pin, Hair Cotter 13 D 3 Wire, 3-7
 Pin, Roll, .180dx1.25L, .187/.192, 2-43
 Pin, Roll, .380dx2.00L, .375/.382, 2-43, 2-57
 Pin-Grvd, 1.00D 3.0L2/ 2.71Btwn, 2-49
 Pin, 4-10
 Pivot Assy, S Br, 2-51
 Plate Weldm., Fan Backing, 2-59
 Plate Wldt, Cover, Bottom, 2-17
 Plate Wldt, Floor, 2-37
 Plate Wldt, Mtg, Fan, 2-61
 Plate Wldt, Side, 2-11
 Plate Wldt, Sprngbrkt Backing, 2-45
 Plate, Adaptor, 2-45
 Plate, Cover w/label, 2-75
 Plate, Cover, Engine, Blowr, Lh, 2-17
 Plate, Cover, Engine, Blowr, Rh, 2-17
 Plate, Mtg, Latch, 2-57
 Plate, Mtg, Main Brush Shaft, 2-57
 Plate, Panel, Shaker, 2-47
 Plate, Reinforcement-Ignition, 2-25
 Plate, Retainer, Front, Lh, 2-2
 Plate, Retainer, Lh, 2-2
 Plate, Retainer, 2-41, 3-17
 Plate, Seal, 2-57
 Plate, Spacer, 3-17
 Plate, Wear, 4-10
 Plate, Spring Steel Direct. Cont, 2-37
 Plate-Cover, 2-11
 Plate, 2-39, 3-17
 Plug & O-Ring, 4-3
 Plug Assembly Ph, 4-7, 4-9
 Plug Assembly, 4-3
 Plug Assy, Byd, 2-69
 Plug Assy, Valve, Hyd, 4-5
 Plug Hu, 2-31
 Plug Weld, Brush Drive, Sweep, 2-57
 Plug Wldt, Idler, 2-57
 Plug, #6 O-Ring, 4-3
 Plug, #8 O-Ring, 4-3
 Plug, Plastic 1.00 D, 2-23
 Plug, Thread 1/2-13, 2-57
 Plug, Tube, 2-57
 Plugbtn .38H .03-.12 Blacknyl, 2-7
 Plugbtn .38h .03-.12 Blacknyl, 2-27
 Plugbtn .62H .03-.12 Blacknyl, 2-7
 Plugbtn 2.09H .05-.06 Blackstl, 2-7
 Plugbtn, 1.0 Dia, 2-27
 Plugbutton, 2-11
 Plunger, Valve, Hyd, 4-5
 Plunger, 4-3
 Poppet, Valve, Hyd, 4-5

Poppet, 4-3
 Pulley, Cable, 1.5 D, Nyl, 2-33, 2-35
 Pulley, Cable, 1.5D Nyl, 2-53, 2-55
 Pulley, Idler, 2-61
 Pully Assembly 2.75, 2-53
 Pump-Hyd Gear (See Breakdowns), 2-70
 Pump-Hyd Gear Ex .39.13 R 2500, 4-6

R

Race Thrust, 4-7, 4-9
 Race, Bearing, 4-10
 Race, Thrust, 4-8
 Relay, 36Vdc, 100A, Sp N/O [White], 2-73, 2-77, 3-2, 3-3, 3-4, 3-5
 Repair Info. Cl, 4-7, 4-9
 Repair Info., 4-8
 Repair Info, Valve, 4-3
 Repair Info, 4-10
 Replm Kit, Case, 2-25
 Replm Kit, Cir Board, 2-25
 Replm Kit, Hourmeter, 2-25
 Replm Kit, Instr Panel, 2-25
 Replm Kit, Lamp (8), 2-25
 Replm Kit, Seal, 2-25
 Replm Kit, Touch Panel, 2-25
 Resistor, 1.62K Ohm, 2-77
 Resistor, 30 Ohm, 2-77
 Restrictor Ring Kit, 2-47
 Retainer, Front, 4-10
 Retainer, Seal, Hppr, .12 X 1.8 X 40.3l, 2-2
 Retaining Ring-External, 1.25D, 2-49
 Retaining Rng, 4-3
 Return Spring-Brakes, 2-33
 Ring, Retainer, Valve, Hyd, 4-5
 Ring, Retaining, Ext, .75 Dia, 2-49
 Ring, Retaining, Ext, 1.25 Dia, 2-49
 Ring, Retaining, Int 1.63 Dia, 2-29
 Ring, Retaining, Intl, 2.00Dia, 2-49
 Ring, Retaining, 4-10
 Ring, Steering, 2-31
 Ring, Retain, Ex, 0.39Od, Basic, 2-61
 Ring, Retain, Ex, 0.50Od, Selflock, 2-43
 Ring, Retain, Ex, 0.98Od, E-Ring, 2-49
 Ring, Retain, In, 1.18ld, Basic, 2-61
 Ring-Retain, Ex, 0.98OD, E-Ring, 2-35
 Ring, 2-69
 Rivet, Plastic .250x.898, 2-8, 2-9
 Rivet, Plastic .325D X .787, 2-7
 Rivet, Plstc, .325d X 0.787, 2-45
 Rod End, 2-29
 Rod Wldt, Seat, 2-11
 Rod Wldt, 2-43
 Rod, Latch, Engine Cover, 2-17
 Rod, Spring, 2-23
 Rod-Thrd, 2End M06X1.0 X 2.18, 2-37
 Rod, 2-41

S

Scr Hexss .38-16x.75, 2-23
 Scr Hexss .38-16x1.25, 2-23

CROSS REFERENCE

- Scr Hexss M12x1.75, 2-57
Scr Hexss M6x1.0, 2-57
Scr Hexss M8x1.25, 2-55
Scr Hexssm 6X1.0 25, 2-2
Scr Hexssm 8X1.25 25, 2-2
Scr Hxfmgm 4x0.7 Pltd, 2-55
Scr Set M 5X0.8 8, 2-37
Scr Soc .38-16X0.75, 2-70
Scr Soc M 8X1.25 25, 2-37, 2-49
Scr Soc M 8X1.25 60, 2-31
Scr Soc M 8X1.25 80, 2-31
Scr-Hex .38-16X1.50 Full Thd, 2-37
Scr-Hex M 8X1.25 45 10.9Pltd, 2-31
Scr-Hex .38-16x2.00 Full Thd, 2-15
Scr-Hex .38-16x2.50 Full Thd, 2-13
Scr-Hex .75-10x3.5 G5 Pltd, 2-29
Scr-Hex M12x1.75 40 10.9Pltd, 2-13
Scr-Hxfmgm 6X1.0 20 Pltd, 2-2
Screw, Cap, 4-8
Screw, Hex Forming, M6, 3-17
Screw, Hex, .31-12 X 1.50, Fmg, [Ab], 2-51
Screw, Hex, .38-16 X 1.25, NI, 2-51
Screw, Hex, #06-20 X 0.50, Fmg, [Ab], 2-59
Screw, Hex, #10-16 X 0.62, Fmg, [Ab], 2-59
Screw, Hex, Fmg, M06-1.0 X 20, 2-41
Screw, Hex, M05-0.8 X 16, Ss, 2-43
Screw, Hex, M06-1.0 X 12, Ss, 2-43
Screw, Hex, M06-1.0 X 16, Ss, 2-39
Screw, Hex, M06-1.0 X 20, Ss, 2-45
Screw, Hex, M06-1.0 X 25, Ss, 2-39, 2-41
Screw, Hex, M06-1.0 X 40, Ss, 2-39
Screw, Hex, M08-1.25 X 20, Ss, 2-39
Screw, Hex, M08-1.25 X 25, Ss, 2-39
Screw, Hex, M08-1.25 X 30, Ss, 2-7
Screw, Hex, M08-1.25 X 40, Ss, 2-43
Screw, Hex, M10 X 1.5 X 60, 8.8, 2-37
Screw, Hex, M10, 3-17
Screw, Hex, M12 X 1.75 X 30, 8.8, 2-45
Screw, Hex, M12 X 1.75 X 40, 8.8, 2-13, 2-15
Screw, Hex, M12 X 1.75 X 70, 8.8, 2-51
Screw, Hex, M12-1.75 X 40, 10.9, 2-39
Screw, Hex, M4 X 0.7 X 10, Fmg, 2-47
Screw, Hex, M5 X 0.8 X 16, 8.8, 2-47
Screw, Hex, M6 X 1.0 X 12, Ss, NI, 2-13
Screw, Hex, M6 X 1.0 X 16, Ss, 2-37
Screw, Hex, M6 X 1.0 X 20, 8.8, NI, 2-45
Screw, Hex, M6 X 1.0 X 20, 8.8, 2-37
Screw, Hex, M6 X 1.0 X 35, Ss, 2-47
Screw, Hex, M8 X 1.25 X 16, 8.8, 2-37
Screw, Hex, M8 X 1.25 X 25, 8.8, 2-37
Screw, Hex, M8, 3-17
Screw, Pan, M05 X 0.8 X 16, 4.8, 2-45
Screw, Pan, M8 X 1.25 X 25, 4.8, 2-29
Screw, 4-8
Seal Kit, 4-8
Seal Kit, Vlv, 4-3
Seal Kit, 2-49, 4-6, 4-10, 4-11, 4-12
Seal Replmt Kit, 4-7, 4-9
Seal, Bulb 140.0 Lg, 2-2
Seal, Bulb 50.0Lg, 2-45
Seal, Bulb, [Sd-0106], 140.00l, 2-47
Seal, Door, Brush, Lh, 2-9
Seal, Door, Brush, Rh, 2-8
Seal, Door, Dump, Hppr, Rear, 2-2
Seal, Door, Dump, Side, 2-2
Seal, Door, Dump, 2-2
Seal, Fan, Vac, Outlet, 2-59
Seal, Fan, Vac, Transition, 2-59
Seal, Foam Rbr, 2-8, 2-9
Seal, Foam Rubber, 2-39
Seal, O-Ring, 2-31
Seal, Oring .103 x .612ld, 2-69
Seal, Rbr, .31 x .75 x 7.0, 2-8, 2-9
Seal, Rubber, 2-19, 2-27
Seal, 2-2, 2-11, 2-39, 2-41, 2-47, 4-16
Seat Belt Kit 355L, 3-9
Seat, 2-11
Shaft Assy, Brg, 2-59
Shaft Wldt, Brake w/pad, 2-35
Shaft Wldt, Brush, 2-57
Shaft, Idler, 2-57
Shaft, Impeller, 2-59
Shaft, Output, 4-7, 4-9
Sheave, 3L 2.9 Pd, 2-61
Sheave, 3L, 1Gr, 6.00Pd0.625ld, 2-61
Shim .010 Thk, 4-3
Shim .010t, Valve, Hyd, 4-5
Shim .015 Thk, 4-3
Shim .015t, Valve, Hyd, 4-5
Shim .035 Thk, 4-3
Shim .035t, Valve, Hyd, 4-5
Shunt, Lightweight, 2-77
Skirt Assy, Brush Door, Lh, 2-9
Skirt Assy, Brush Door, Rh, 2-8
Skirt, Brush Door, 2-2
Skirt, Deflector, 2-2, 2-8, 2-9
Skirt, Hppr Top, 2-7
Skirt, Lip, 2-2, 2-39
Skirt, Recirculation, Turf (Option), 2-7
Skirt, Seal, M Br, 2-7
Skirt, Side, Sbdc, Lh, 2-2
Skirt, Bumperstop, 2-45
Skirt, 2-2, 2-41, 3-17
Sleeve, .254B .31D .52 Plstc, 2-57
Sleeve, .259B .38D .62 Dom, 2-69
Sleeve, .260B .50D .75, 2-69
Sleeve, .344B .50D .81 Cr.Anc, 2-35
Sleeve, .770B 1.12D .60 Crs, 2-29
Sleeve, Nyl, 27 65.0L, 2-51
Sleeve, Nyl #20 35.0 L, 2-31
Sleeve-Nyl #24 35.0L, 2-57
Sleeve-Nyl #20 20.0L, 2-43
Sleeve-Nyl #38 30.0L, 2-23
Snap-Ring, 4-15
Solenoid Assy, Filter Shaker, 36V, 2-47
Spacer Plate Cl, 4-7, 4-9
Spacer Plate, 4-8
Spacer, Flex, 2-70
Spacer, Pulley, 2-33, 2-35, 2-53, 2-55
Spacer, Valve, Hyd, 4-5
Spacer, 2-37, 2-59, 4-3, 4-10
Spindle, Adjustment, 2-19
Spring Assy, Recirculation, 2-7
Spring Kit, 4-10
Spring, Brush Ge, 4-13
Spring, Brush, 2-3
Spring, Tension, 2-41, 2-45
Spring, Torsion, 2-23, 2-35
Spring, Valve, Hyd, 4-5
Spring, Tens, .50Dx.05Wire 2.5L, 2-69
Spring-Gas 120Lb 7.1 Stroke, 2-45
Spring-Gas Assy, Eng Cover, 2-17
Spring, 2-47, 4-3, 4-5
Sprng, Tens, 0.50 Odx.05 Wire 2.5L, 2-13, 2-15
Sprng, Comp, 0.74ldx.11Wire 5.5L, 2-23
Sprng, Tens, 0.50Odx.05Wire 1.0L, 2-17
Sprng, Tens, 0.75Odx.08Wire 4.5L, 2-61
Sprng, Tens, 1.12Odx.14Wire 6.3L, 2-51
Steer Control, Hyd (See Breakdowns), 2-23
Strainer-Hyd Suction 25-100-03, 2-67
Strap, Backing, Hopper, 2-7
Strap, Deflector, 2-8, 2-9
Strap, Door, Dump, Side, 2-2
Strap, Door, Dump, 2-2
Strap, Main Lip, 2-2, 2-39
Strap, Static, (EE), 2-7
Strap, 2-8, 2-9, 2-39, 2-41
Strip, Mtg, Gusset, 2-45
Strip, Mtg, Hinge, 2-45
Strip, Retainer, Bearing, 2-57
Strip, Retainer, Seal, 2-7
Strip, Retainer, Skirt, 2-8, 2-9
Strip, Retainer, 2-8, 2-9
Strip, Rubber, 2-61
Stud, Ball, .39d .31-18, .75l, 2-45
Stud, Ball, 2-17
Switch Assy, Pressure, Hyd, 2-69
Switch Assy, Roller, 2-43, 2-71
Switch Ignition, 2-25
Switch Kit, E-stop, Replmt, 2-25
Switch, Pressure, 2-71
Switch, Push, E-stop [Tco#28429], 2-25
Switch, Pushmom, Spst100A 12V, 2-27
Switch, 2-11

T

- Taillight Assy, 2-7
Tank, Hydraulic, Nylon, 2-67
Terminal Strip, 2-77
Terminal, Female, 4-14
Thermostat, 2-47
Thrust Bearing, 4-7, 4-9
Tie, Cable 1.75D Max 7.50Lg, 2-71, 2-73, 3-2, 3-3, 3-4, 3-5
Tie, Cable 1.75D Max 7.50 LG, 2-31
Tie, Cable 3.00D Max 11.41Lg, 2-23
Tie, Cable, Nyl, 07.3L .19W 1.8 Max D, 2-47
Tie, Cable, Nyl, 11.4l .19w 3.0 Max D, 2-25
Tip, Rubber, 2-13, 2-15
Tire & Wheel Assy, 16.2X6, 2-31
Tire & Wheel Assy, 18.0X5, 2-33

Tire, 16.25 X 6 X 11.25 Solid, 2-31
 Tire, 18X5X12.12 Solid, 2-33
 Tray, Filter Carrier, 2-47
 Tread, Floor, 2-37
 Tube 1.25D 0.75B 0.8L Stl, 2-29
 Tube Wldt, Leg, Ohg,Rh,Painted, 2-21
 Tube Wldt, Leg,Ohg,Lh,Painted, 2-21
 Tube, .5Od .12W 1.00,St.Mech, 2-59
 Tube, 2-39

U

U - Bolt, 2-23

V

Valve, Hyd (Repl. By 374546) (See Breakdowns), 2-69
 Valve, Hyd Cntrl Man, 4-3
 Valve, Hyd, Man, 3sp 10gpm 2150psi, 4-5
 Valve, Hyd, Mnl, 3 Spool, 10Gpm, 2150Psi, 2-69
 Valve, Hydraulic Steering 07.3 0600, 4-10
 Valve-Hyd,Relief.56-20 650Psi, 2-29
 Video, Oprtr, Vhs [6550E], 3-19

W

Washer Flt .25 Ss, 2-2
 Washer Flt .31 Ss, 2-2
 Washer Flt .25 Ss, 2-57
 Washer, .375B .75D .06 Nylon, 2-37
 Washer, .405B .81D .06Nylon, 2-53, 2-55
 Washer, .531B 1.75D .12Cr.Znc, 2-57
 Washer, .562b 3.03 D .25hr, 2-39
 Washer, 1.281B 1.75Od .25Hrznc, 2-49
 Washer, Belleville, .50, 2-39
 Washer, Flat, .25 Ss, 2-7, 2-39, 2-41, 2-45
 Washer, Flat, .31 Ss, 2-7, 2-39
 Washer, Flat, #08, 2-47
 Washer, Flat, #10 Ss, 2-43
 Washer, Flat, #10, 2-47
 Washer, Flat, 0.25 Std, 2-13
 Washer, Flat, 0.25, Ss, 2-37
 Washer, Flat, 0.25, Std, 2-45, 2-47
 Washer, Flat, 0.31 Sae, 2-37
 Washer, Flat, 0.31, Std, 2-37
 Washer, Flat, 0.38 Sae, 2-37
 Washer, Flat, 0.38, Std, 2-47
 Washer, Flat, 0.50 Sae, 2-13, 2-15
 Washer, Flat, 0.50 Std, 2-13, 2-51
 Washer, Flat, 0.75, Sae, 2-29
 Washer, Flat, 0.91b 1.38d .06, Stl, Pl, 2-25
 Washer, Flat, Belleville, .50, 2-45
 Washer, Flat, 3-17
 Washer, Flt, .38 Std, 2-51
 Washer, Flt, #10, 2-45
 Washer, Lock, Int, 0.25, 2-47
 Washer, Valve, Hyd, 4-5
 Washer, 1.281B 1.75D .08Cr Znc, 2-49
 Washer-Belleville .50 Pltd, 2-13, 2-15
 Washer-Flt .31 Fender Pltd, 2-69

Washer-Flt 1.00 Plt, 2-33
 Washer, 4-3
 Wasjer, Flat, .50 Std, 2-15
 Wavy Washer, 4-15
 Wheel Bolt Hu, 2-31
 Wheel, Steering, 14 Dia X 36T, 2-23
 Wire Assy, 7.0 Lg., 6 Ga., 2-75
 Wire Assy, 9.0 Lg., 4 Ga., 2-75
 Wire Assy, 13.0 Lg, 2 Ga, 2-75
 Wire Assy, 30.0 Lg, 4 Ga, 2-75
 Wire Assy, 32.0 Lg, 4 Ga, 2-75
 Wire Assy, 56.0 Lg, 4 Ga, 2-75
 Wire Assy, 60.0 Lg., 4 Ga., 2-75
 Wire Assy, 7.0 Lg., 4 Ga., 2-75

Y

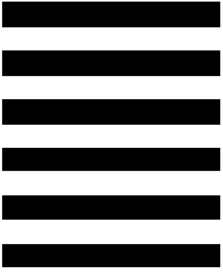
Yoke, Pivot, Machining, 2-43
 Yoke,End-Adjustable, 2-53, 2-55



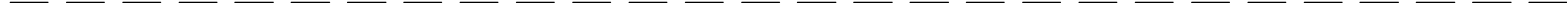
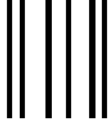
TENNANT COMPANY
 Technical Publications #15
 701 North Lilac Drive
 P.O. Box 1452
 Minneapolis, MN 55440-9947

POSTAGE WILL BE PAID BY ADDRESSEE

BUSINESS REPLY MAIL
 FIRST CLASS MAIL PERMIT NO. 94 MINNEAPOLIS, MN

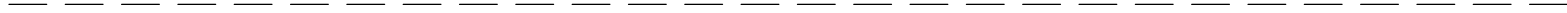


NO POSTAGE
 NECESSARY
 IF MAILED
 IN THE
 UNITED STATES



Fold along dotted lines

Tape here

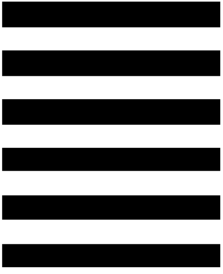




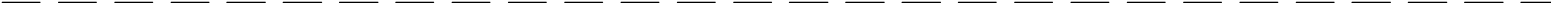
TENNANT COMPANY
 Technical Publications #15
 701 North Lilac Drive
 P.O. Box 1452
 Minneapolis, MN 55440-9947

POSTAGE WILL BE PAID BY ADDRESSEE

BUSINESS REPLY MAIL
 FIRST CLASS MAIL PERMIT NO. 94 MINNEAPOLIS, MN



NO POSTAGE
 NECESSARY
 IF MAILED
 IN THE
 UNITED STATES



Fold along dotted lines

Tape here

