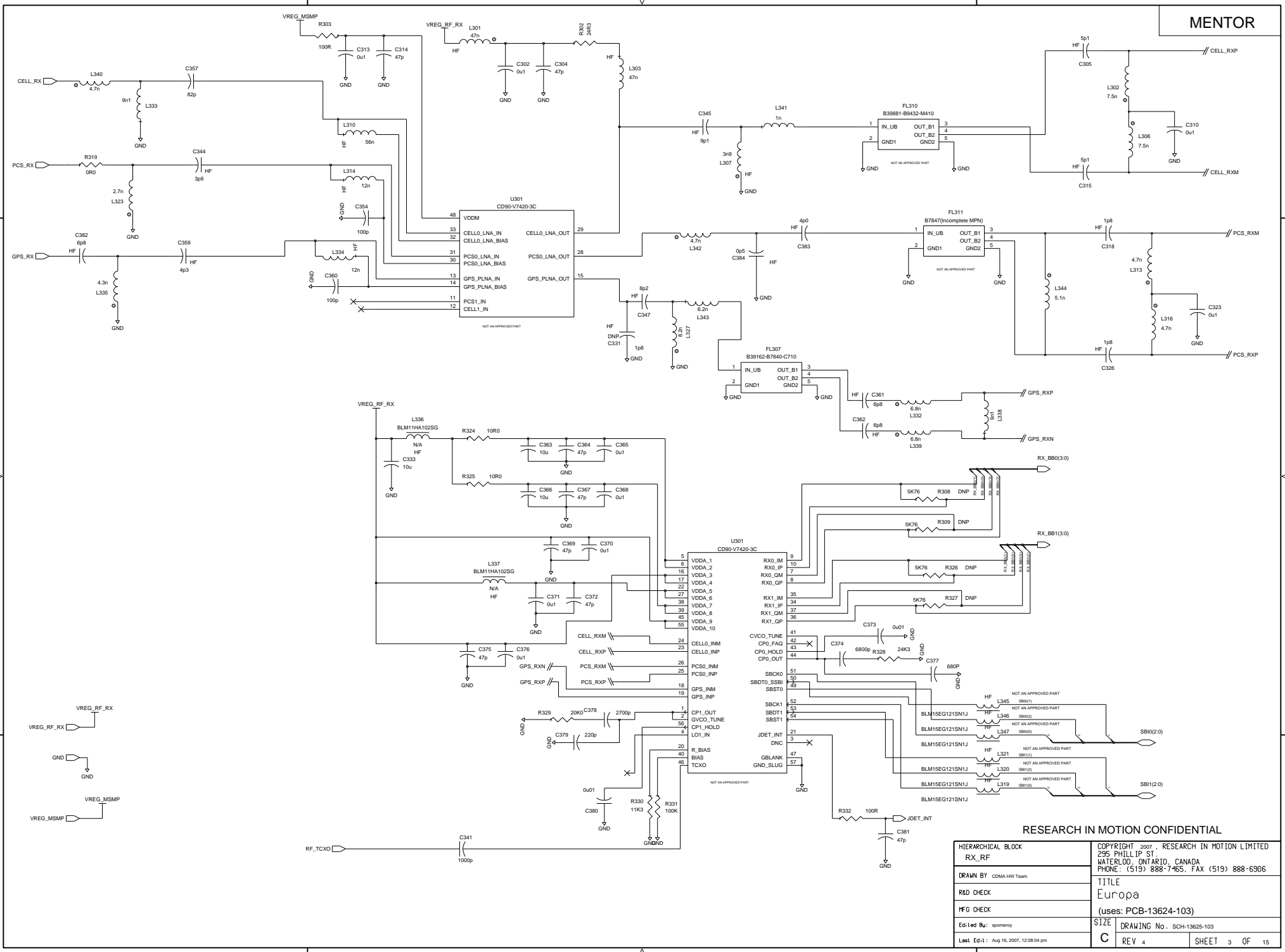


RESEARCH IN MOTION CONFIDENTIAL

HIERARCHICAL BLOCK RF_ANT		COPYRIGHT 2007, RESEARCH IN MOTION LIMITED 295 PHILLIP ST. WATERLOO, ONTARIO, CANADA PHONE: (519) 888-7465, FAX (519) 888-6306	
DRAWN BY CDMA HW Team		TITLE Europa	
R&D CHECK		(uses: PCB-13624-103)	
MFG CHECK		SIZE DRAWING No. SCH-13625-103	
Edi Led Bu: spomeny		C	
Level: Ed1: Aug 31, 2007, 10:21:19 am		REV 4 SHEET 2 OF 15	



RESEARCH IN MOTION CONFIDENTIAL

HIERARCHICAL BLOCK RX_RF		COPYRIGHT 2007, RESEARCH IN MOTION LIMITED 295 PHILLIP ST. WATERLOO, ONTARIO, CANADA PHONE: (519) 888-7465, FAX (519) 888-6306	
DRAWN BY CDMA HW Team		TITLE Europa	
R&D CHECK		uses: PCB-13624-103	
MFG CHECK		SIZE DRAWING No. SCH-13625-103	
Ed: Led Bu: spomeny		C REV 4 SHEET 3 OF 15	
Last Ed: Aug 16, 2007, 12:08:04 pm			

4

3

2

1

D

D

C

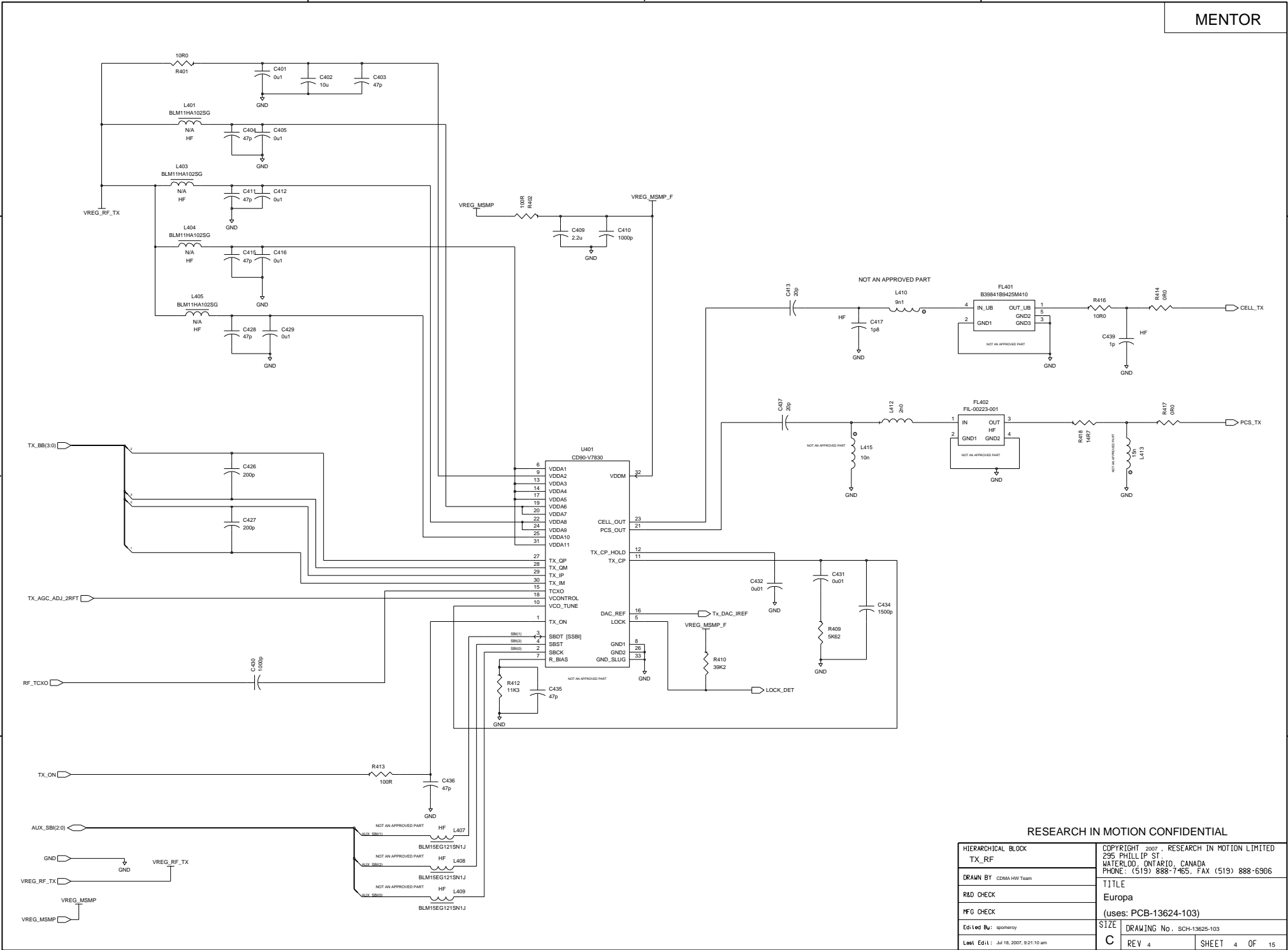
C

B

B

A

A



RESEARCH IN MOTION CONFIDENTIAL

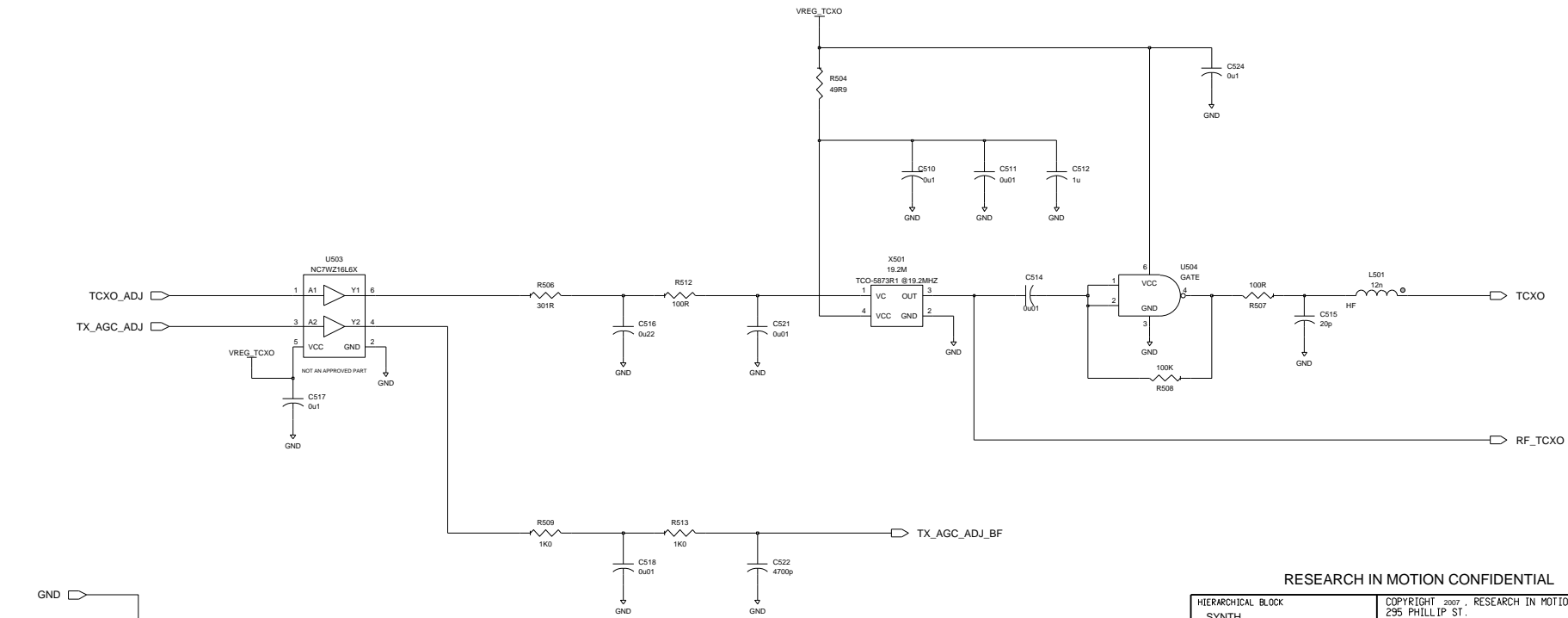
HIERARCHICAL BLOCK TX_RF	COPYRIGHT 2007, RESEARCH IN MOTION LIMITED 295 PHILLIP ST. WATERLOO, ONTARIO, CANADA PHONE: (519) 888-7465, FAX (519) 888-6306
DRAWN BY CDMA HW Team	TITLE Europa
R&D CHECK	(uses: PCB-13624-103)
MFG CHECK	SIZE DRAWING No. SCH-13625-103
Edi Led By: spomeny	C REV 4 SHEET 4 OF 15
Level Edi L: Jul 18, 2007, 9:21:10 am	

4

3

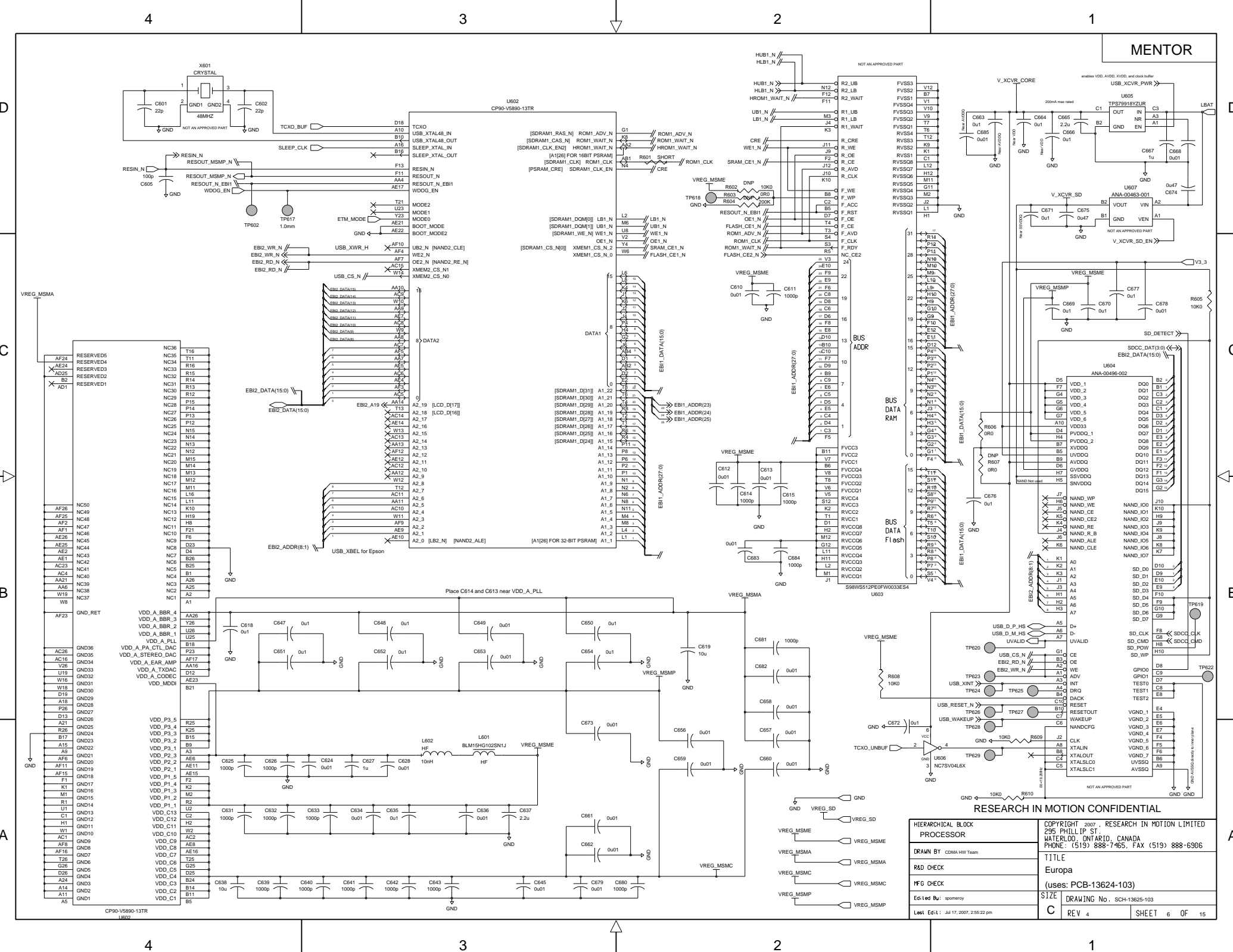
2

1



RESEARCH IN MOTION CONFIDENTIAL

HIERARCHICAL BLOCK SYNTH		COPYRIGHT 2007, RESEARCH IN MOTION LIMITED 295 PHILLIP ST. WATERLOO, ONTARIO, CANADA PHONE: (519) 888-7465, FAX (519) 888-6306	
DRAWN BY: CDMA-HW Team		TITLE Europa	
R&D CHECK		(uses: PCB-13624-103)	
MFG CHECK		DRAWING No. SCH-13625-103	
Ed: Led Bu: swellington		SIZE C	
Level: Ed:1: Mar 9, 2007, 11:52:46 am		REV 4 SHEET 5 OF 15	



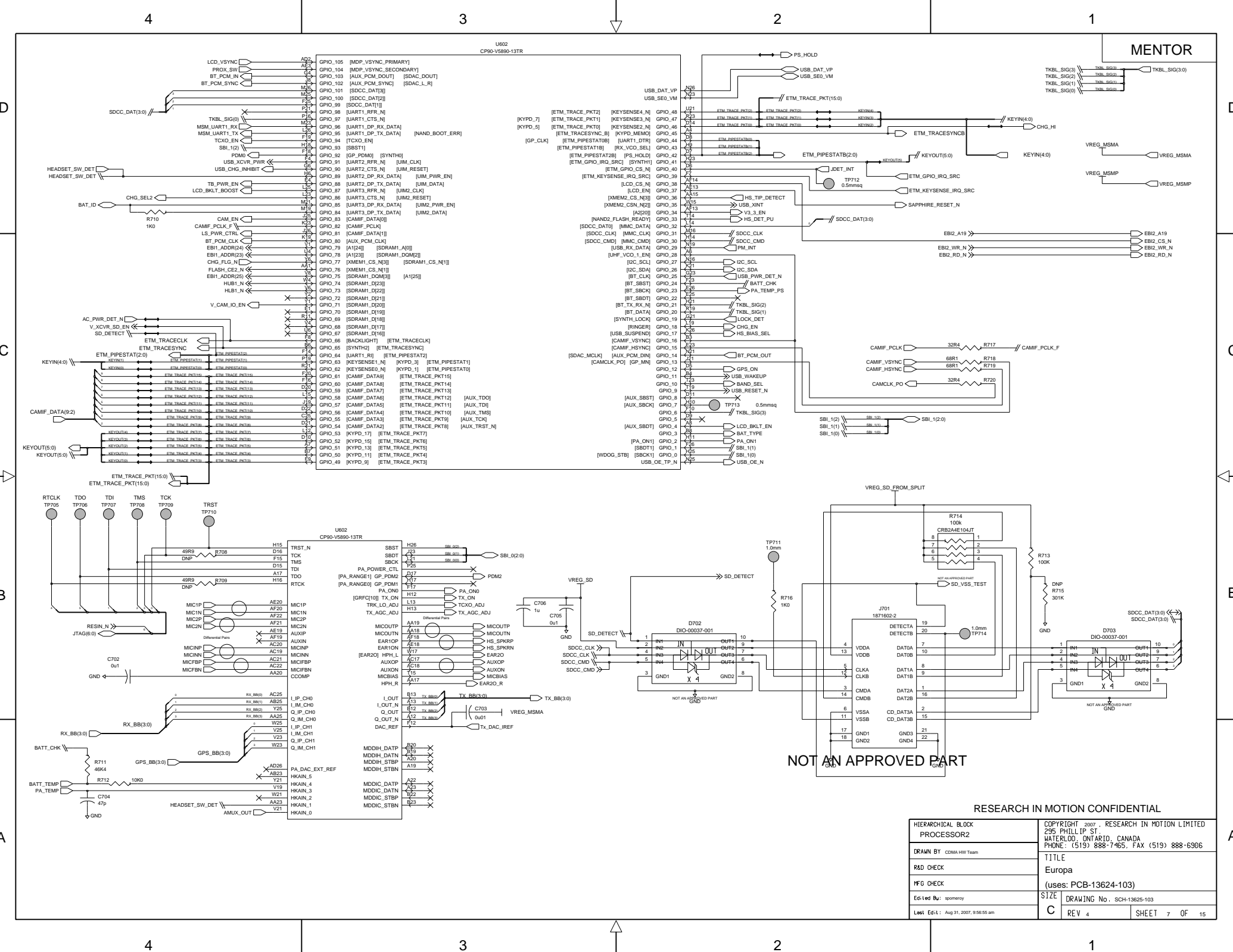
HIERARCHICAL BLOCK PROCESSOR		COPYRIGHT 2007, RESEARCH IN MOTION LIMITED 295 PHILLIP ST. WATERLOO, ONTARIO, CANADA PHONE: (519) 888-7465, FAX (519) 888-6306	
DRAWN BY CDMA-HW Team		TITLE Europa (uses: PCB-13624-103)	
R&D CHECK		SIZE DRAWING No. SCH-13625-103	
MFG CHECK		REV 4 SHEET 6 OF 15	
Edi Led Bu: spomeroy		Date: Jul 17, 2007 2:55:23 pm	

RESEARCH IN MOTION CONFIDENTIAL

4 3 2 1

A B C D

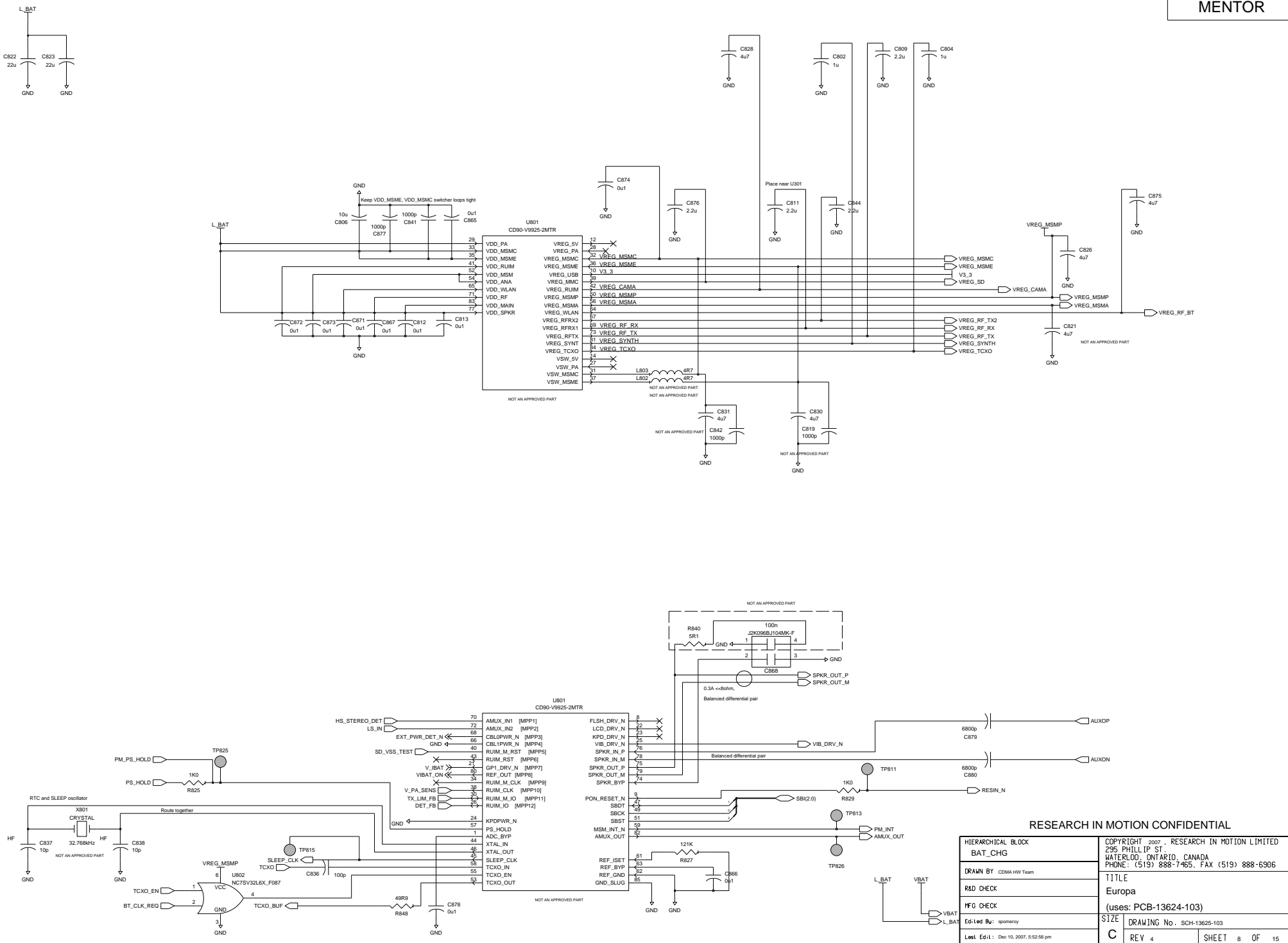
4 3 2 1



MENTOR

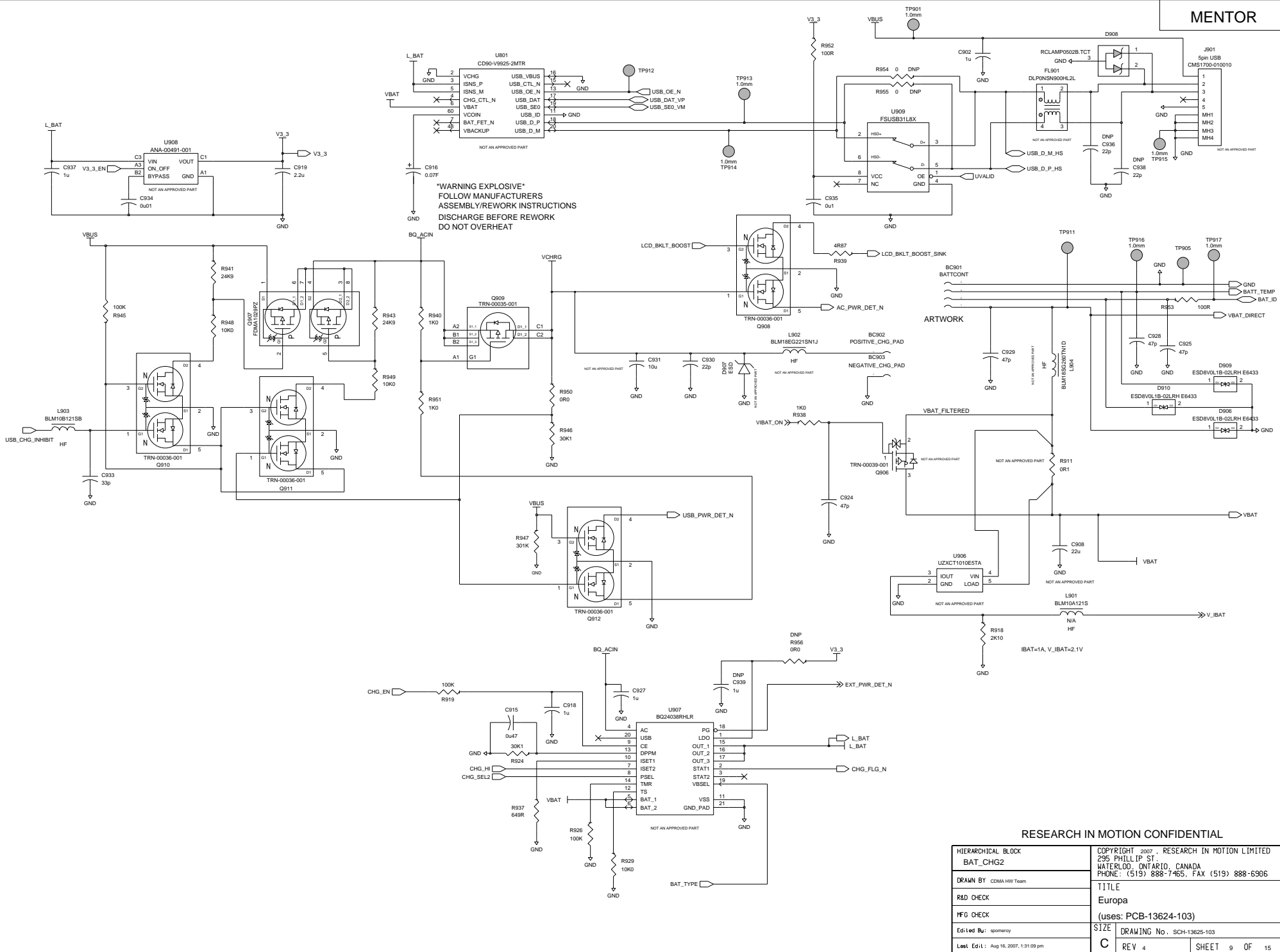
RESEARCH IN MOTION CONFIDENTIAL

HIERARCHICAL BLOCK PROCESSOR2	COPYRIGHT 2007, RESEARCH IN MOTION LIMITED 295 PHILLIP ST. WATERLOO, ONTARIO, CANADA PHONE: (519) 888-7465, FAX (519) 888-6306
DRAWN BY CDMA HW Team	TITLE Europa
R&D CHECK	(uses: PCB-13624-103)
FIG CHECK	Edi Led Bu: spomeny
Edi Led Bu: spomeny	SIZE DRAWING No. SCH-13625-103
Label Ed1: Aug 31, 2007, 9:56:55 am	C REV 4 SHEET 7 OF 15



RESEARCH IN MOTION CONFIDENTIAL

HIERARCHICAL BLOCK		COPYRIGHT 2007, RESEARCH IN MOTION LIMITED	
BAT_CHG		295 PHILLIP ST.	
DRAWN BY: CDMA HW Team		WATERLOO, ONTARIO, CANADA	
R&D CHECK		PHONE: (519) 888-7465, FAX (519) 888-6306	
MFG CHECK		TITLE	
Edi Led Bu: spomeny		Europea	
Level: Ed1:1 Date: 10, 2007, 5:52:56 pm		(uses: PCB-13624-103)	
SIZE		DRAWING No. SCH-13625-103	
REV 4		SHEET 8 OF 15	



RESEARCH IN MOTION CONFIDENTIAL

HIERARCHICAL BLOCK BAT_CHG2		COPYRIGHT 2007, RESEARCH IN MOTION LIMITED 295 PHILLIP ST. WATERLOO, ONTARIO, CANADA PHONE: (519) 888-7465, FAX (519) 888-6306	
DRAWN BY CDMA HW Team		TITLE Europa	
R&D CHECK		(uses: PCB-13624-103)	
MFG CHECK		SIZE DRAWING No. SCH-13625-103	
Edi Led Bu: spomeroy		C REV 4 SHEET 9 OF 15	
Last Ed1: Aug 16, 2007, 1:31:09 pm			

D

D

C

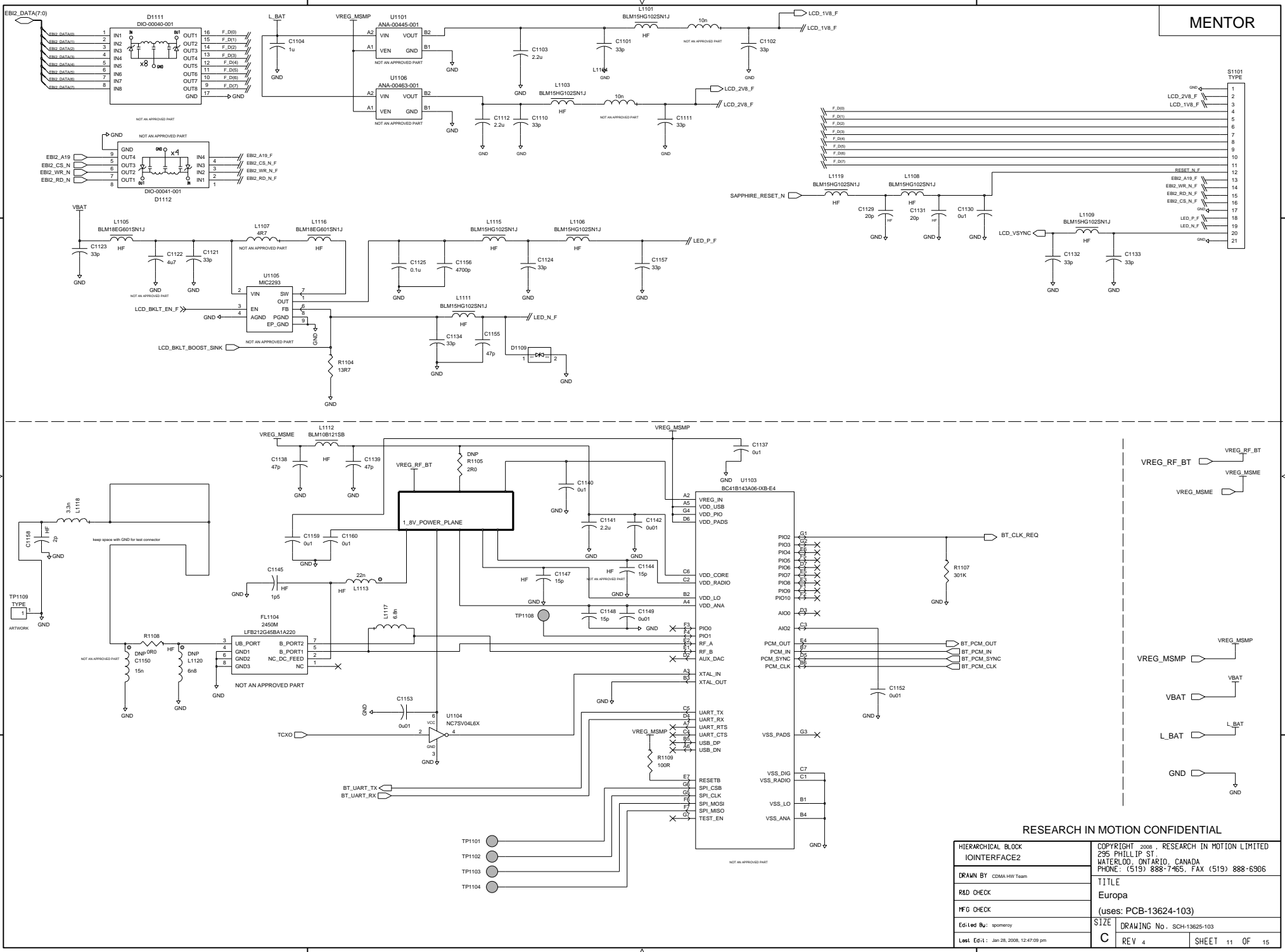
C

B

B

A

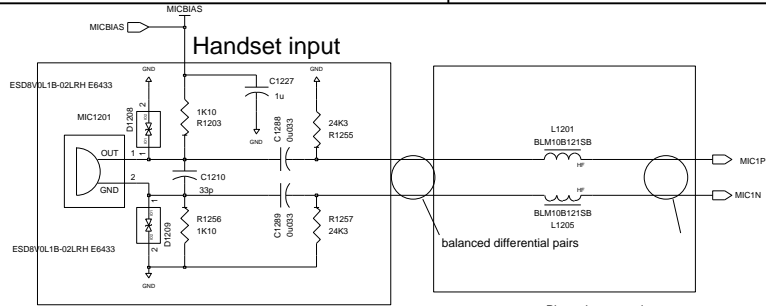
A



RESEARCH IN MOTION CONFIDENTIAL

HIERARCHICAL BLOCK	JOINTERFACE2	COPYRIGHT 2008, RESEARCH IN MOTION LIMITED 295 PHILLIP ST. WATERLOO, ONTARIO, CANADA PHONE: (519) 888-7465, FAX (519) 888-6306
DRAWN BY	CDMA HW Team	TITLE
R&D CHECK		Europe
MFG CHECK		(uses: PCB-13624-103)
Edi Led Bu:	sponemoy	SIZE
Label	Edi L: Jan 28, 2008, 12:47:09 pm	C
		DRAWING No. SCH-13625-103
		REV 4 SHEET 11 OF 15

Handset input

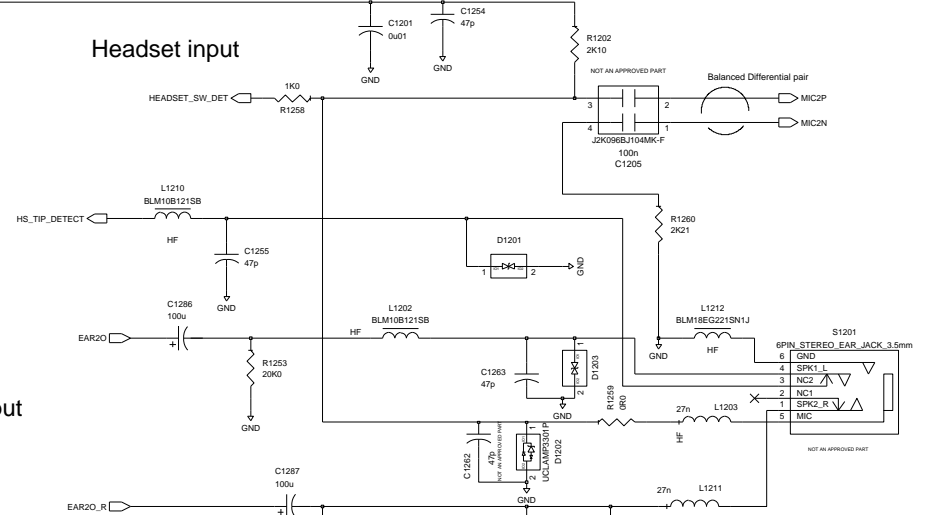


NOTE: Place all components in this polygon near microphone

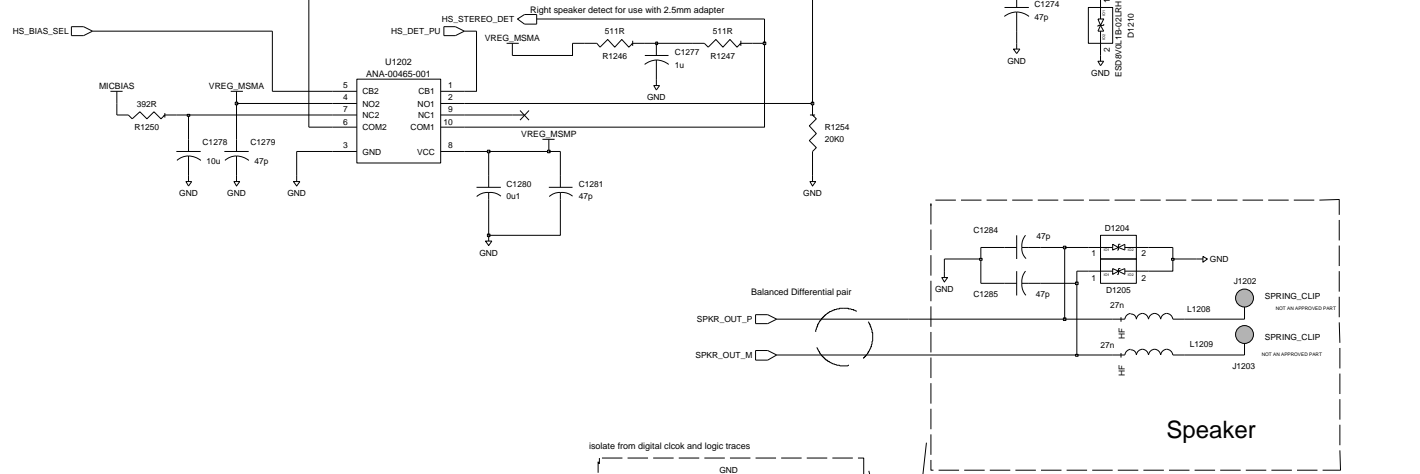
MIC_GND needs to be routed as a star back to R1236
Should be routed as pair with audio

Place close to codec

Headset input

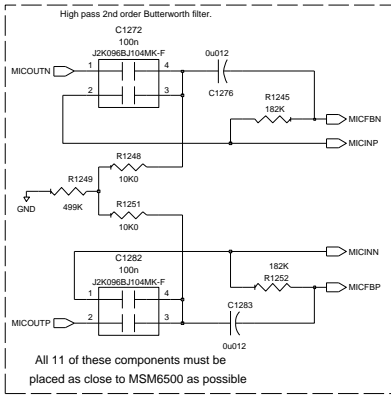


Headset output

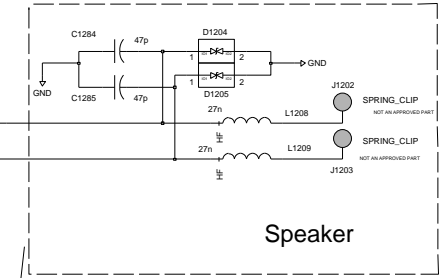


Locate close to speaker

Receiver

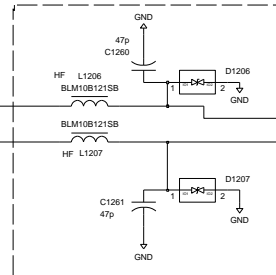


All 11 of these components must be placed as close to MSM6500 as possible



Speaker

isolate from digital clock and logic traces



RESEARCH IN MOTION CONFIDENTIAL

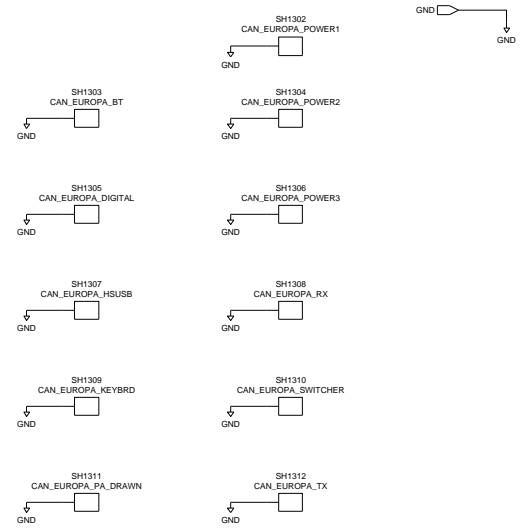
HIERARCHICAL BLOCK AUDIO	COPYRIGHT 2007, RESEARCH IN MOTION LIMITED 295 PHILLIP ST. WATERLOO, ONTARIO, CANADA PHONE: (519) 888-7465, FAX (519) 888-6306
DRAWN BY CDMA HW Team	TITLE Europa
R&D CHECK	(uses: PCB-13624-103)
MFG CHECK	SIZE DRAWING No. SCH-13625-103
Edi Led Bu: spomeny	C REV 4 SHEET 12 OF 15
Level: Edi L: Oct 3, 2007, 3:45:19 pm	

4

3

2

1



RESEARCH IN MOTION CONFIDENTIAL

HIERARCHICAL BLOCK ETCH	COPYRIGHT 2007, RESEARCH IN MOTION LIMITED 295 PHILLIP ST. WATERLOO, ONTARIO, CANADA PHONE: (519) 888-7465, FAX (519) 888-6306
DRAWN BY: CDMA HW Team	TITLE Europa
R&D CHECK	(uses: PCB-13624-103)
MFG CHECK	SIZE
Edi Led Bu: poorbel	C DRAWING No. SCH-13625-103
Level: Ed1:1 Jun 8, 2007, 4:02:45 pm	REV 4 SHEET 13 OF 15

4

3

2

1

D

D

C

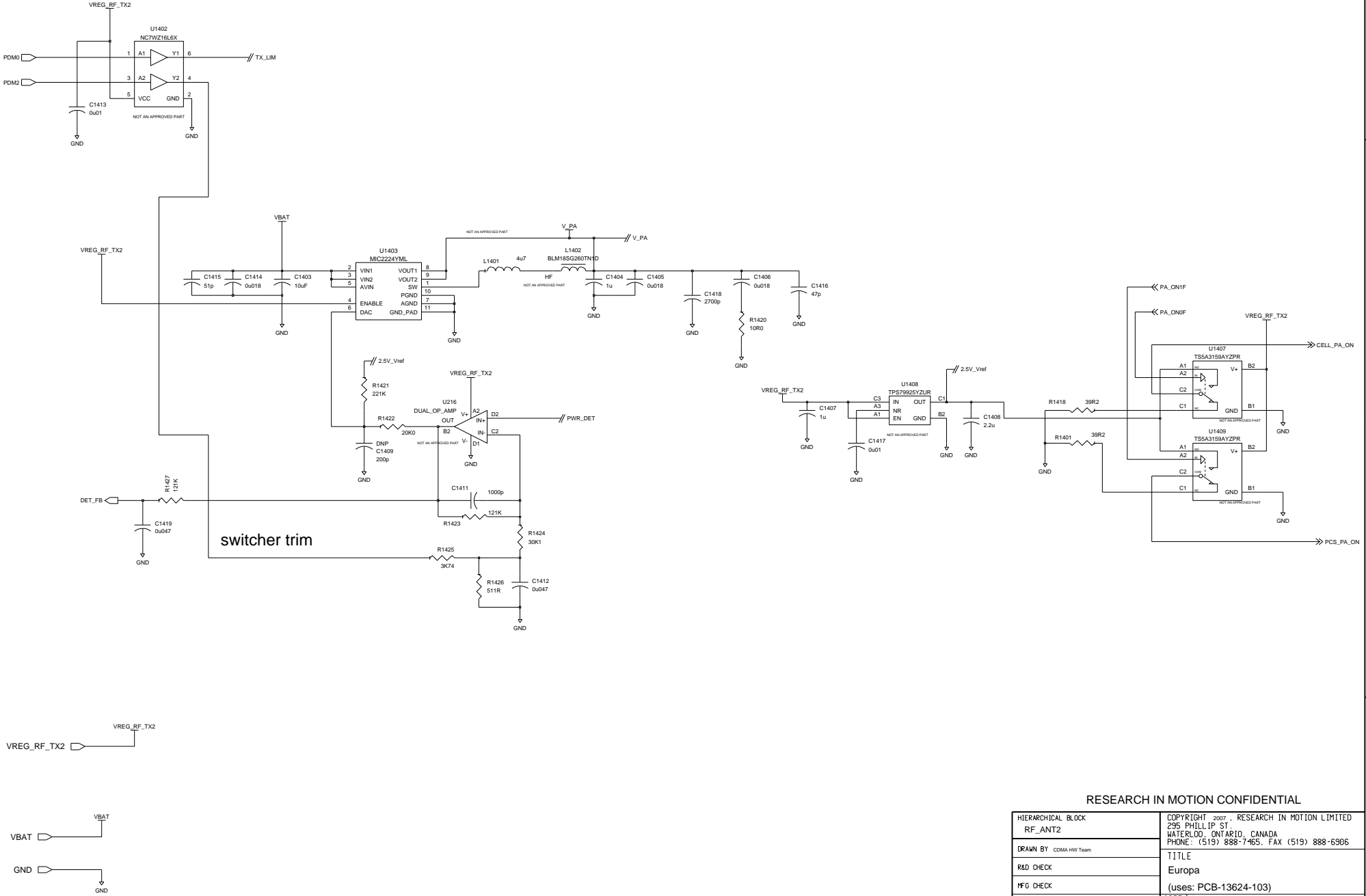
C

B

B

A

A



RESEARCH IN MOTION CONFIDENTIAL

HIERARCHICAL BLOCK RF_ANT2		COPYRIGHT 2007, RESEARCH IN MOTION LIMITED 295 PHILLIP ST. WATERLOO, ONTARIO, CANADA PHONE: (519) 888-7465, FAX (519) 888-6306	
DRAWN BY CDMA HW Team		TITLE Europa	
R&D CHECK		(uses: PCB-13624-103)	
MFG CHECK		SIZE DRAWING No. SCH-13625-103	
Edi Led Bu: rnkhan		C REV 4 SHEET 14 OF 15	
Level Edi L: Jul 19, 2007, 5:12:43 pm			

4

3

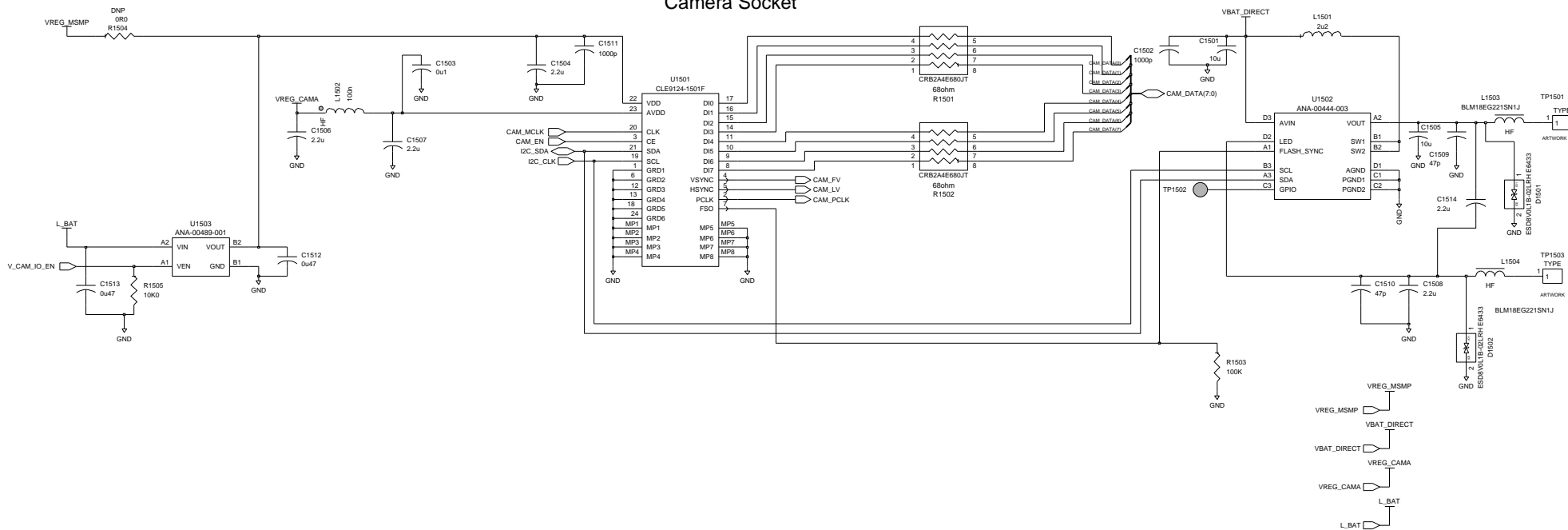
2

1

Camera Socket

Camera Flash

MENTOR



- 2.05_SINGLE_0.675/VERT_OFFSET
ARTWORK
- 2.05_SINGLE_0.675/VERT_OFFSET
ARTWORK
- 2.05_SINGLE_0.675/VERT_OFFSET
ARTWORK
- 2.05_SINGLE_0.675/VERT_OFFSET
ARTWORK

RESEARCH IN MOTION CONFIDENTIAL

HIERARCHICAL BLOCK CAMERA	COPYRIGHT 2007, RESEARCH IN MOTION LIMITED 295 PHILLIP ST. WATERLOO, ONTARIO, CANADA PHONE: (519) 888-7465, FAX (519) 888-6306
DRAWN BY CDMA-HW Team	TITLE Europa
R&D CHECK	(uses: PCB-13624-103)
MFG CHECK	SIZE DRAWING No. SCH-13625-103
Edi Led Bu: jian	C REV 4 SHEET 15 OF 15
Level Edi L: Jun 5, 2007, 12:00:17 pm	

4

3

2

1