

[4] Schematic diagram/Wiring side of P.W.Board

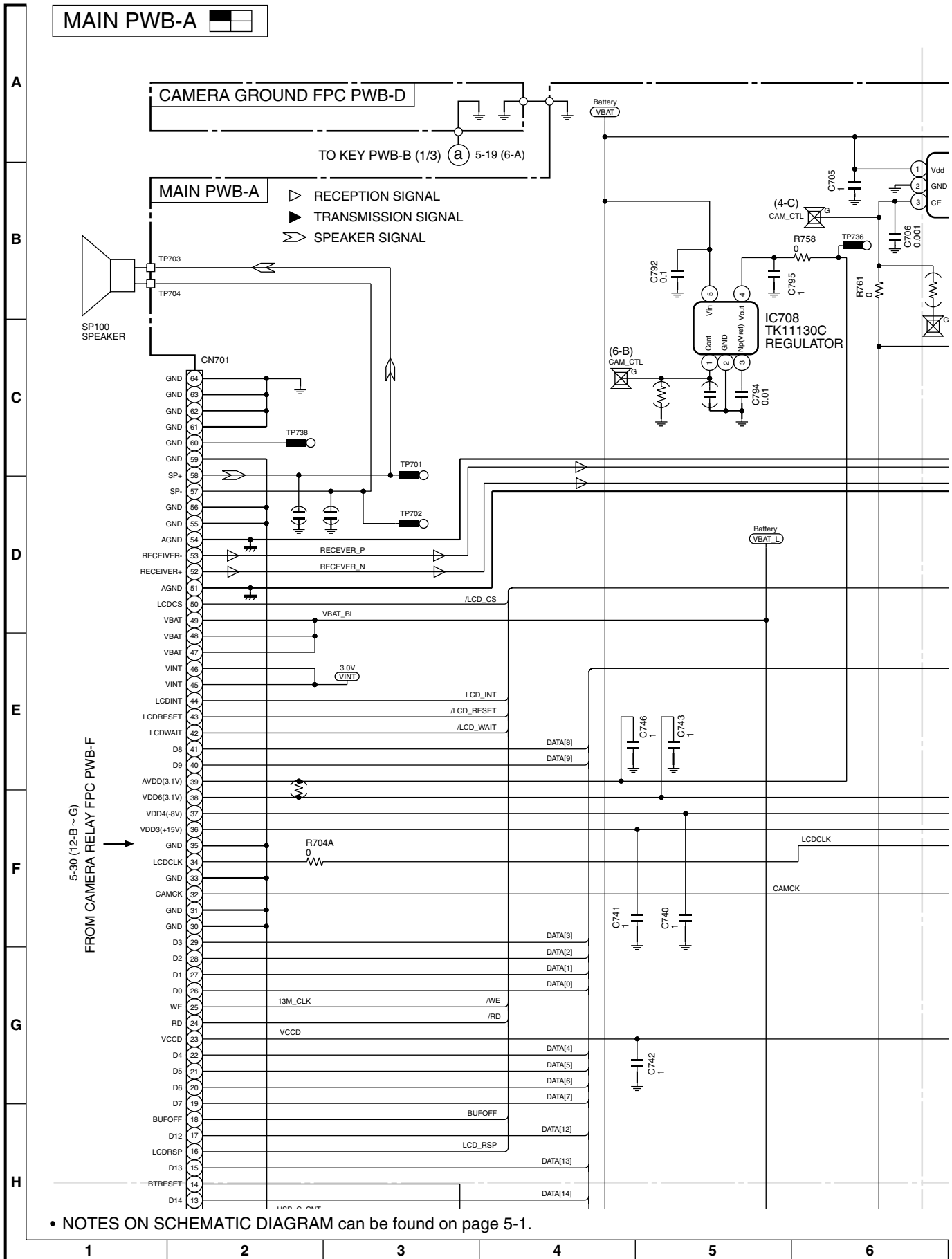
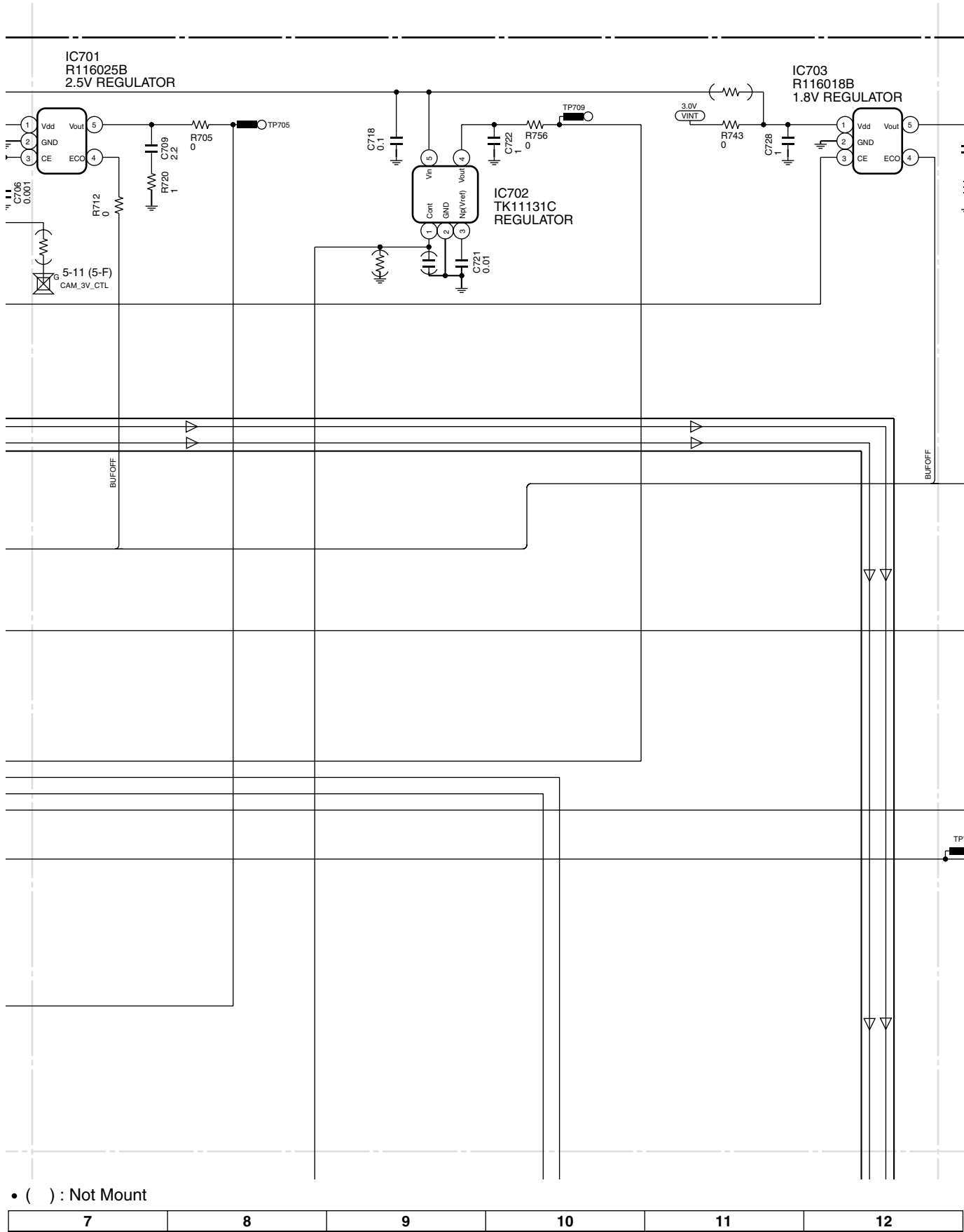


Figure 1 SCHEMATIC DIAGRAM (1/22)



• () : Not Mount

Figure 2 SCHEMATIC DIAGRAM (2/22)

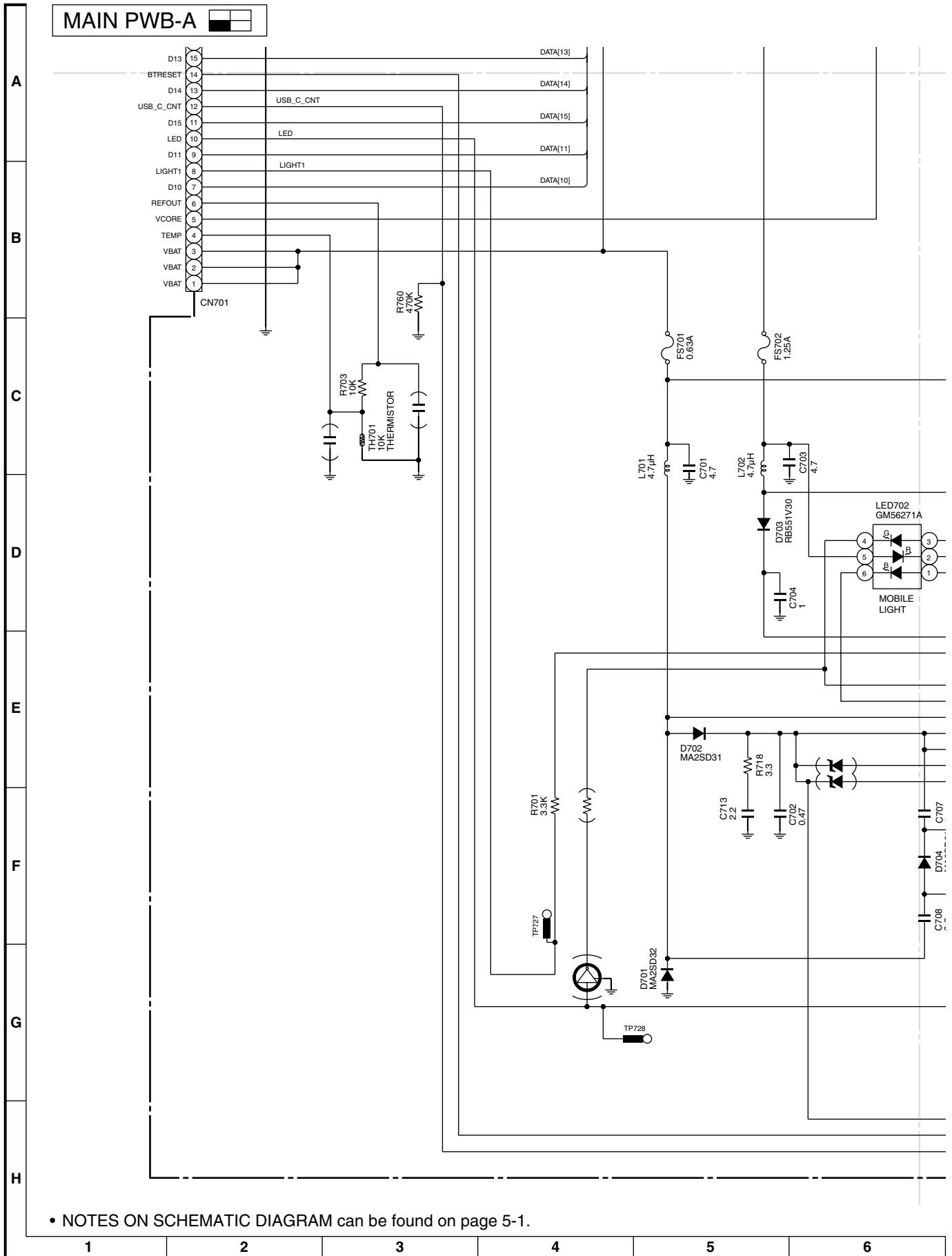
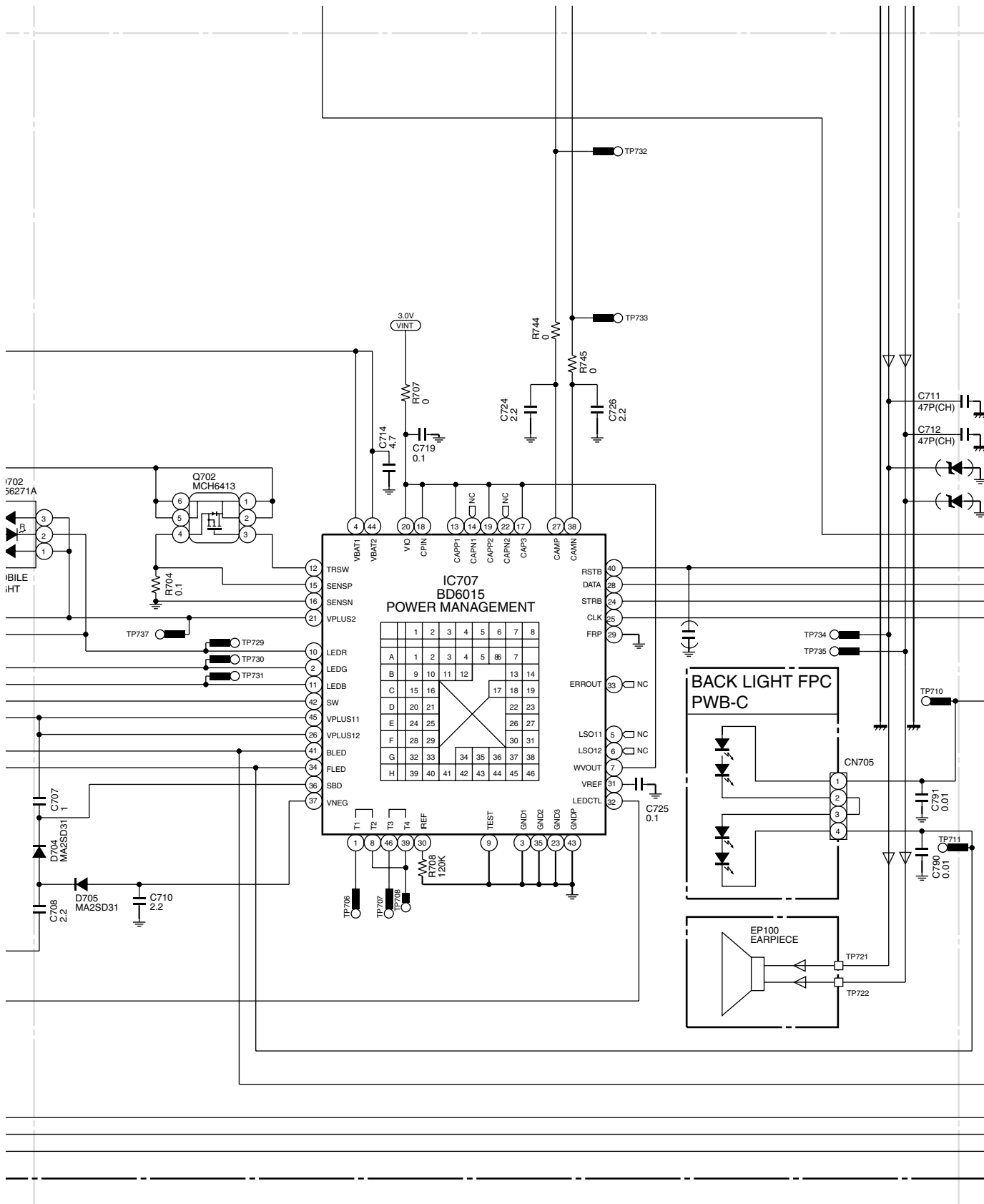


Figure 3 SCHEMATIC DIAGRAM (3/22)



• () : Not Mount

7	8	9	10	11	12
---	---	---	----	----	----

Figure 4 SCHEMATIC DIAGRAM (4/22)

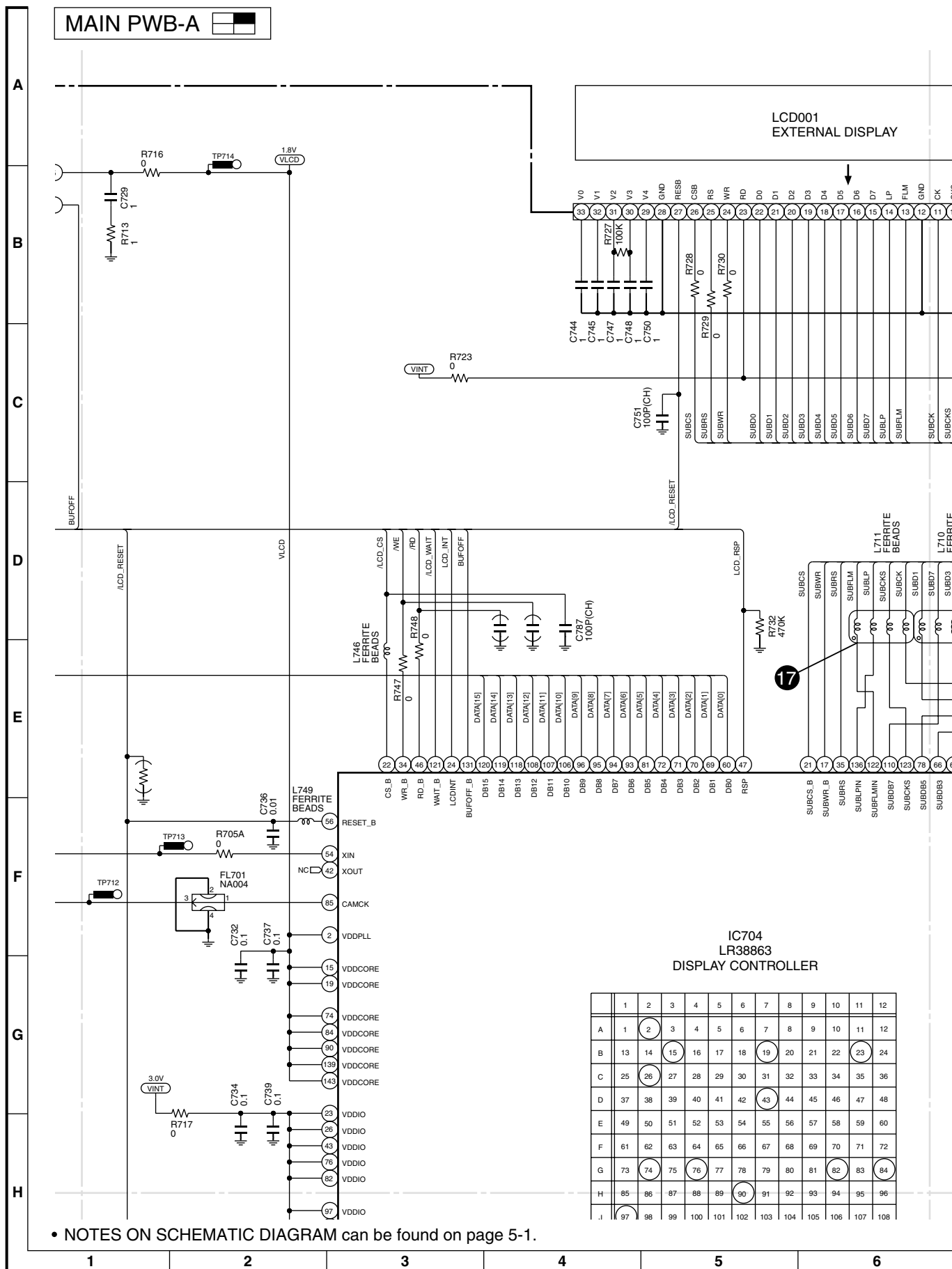


Figure 5 SCHEMATIC DIAGRAM (5/22)

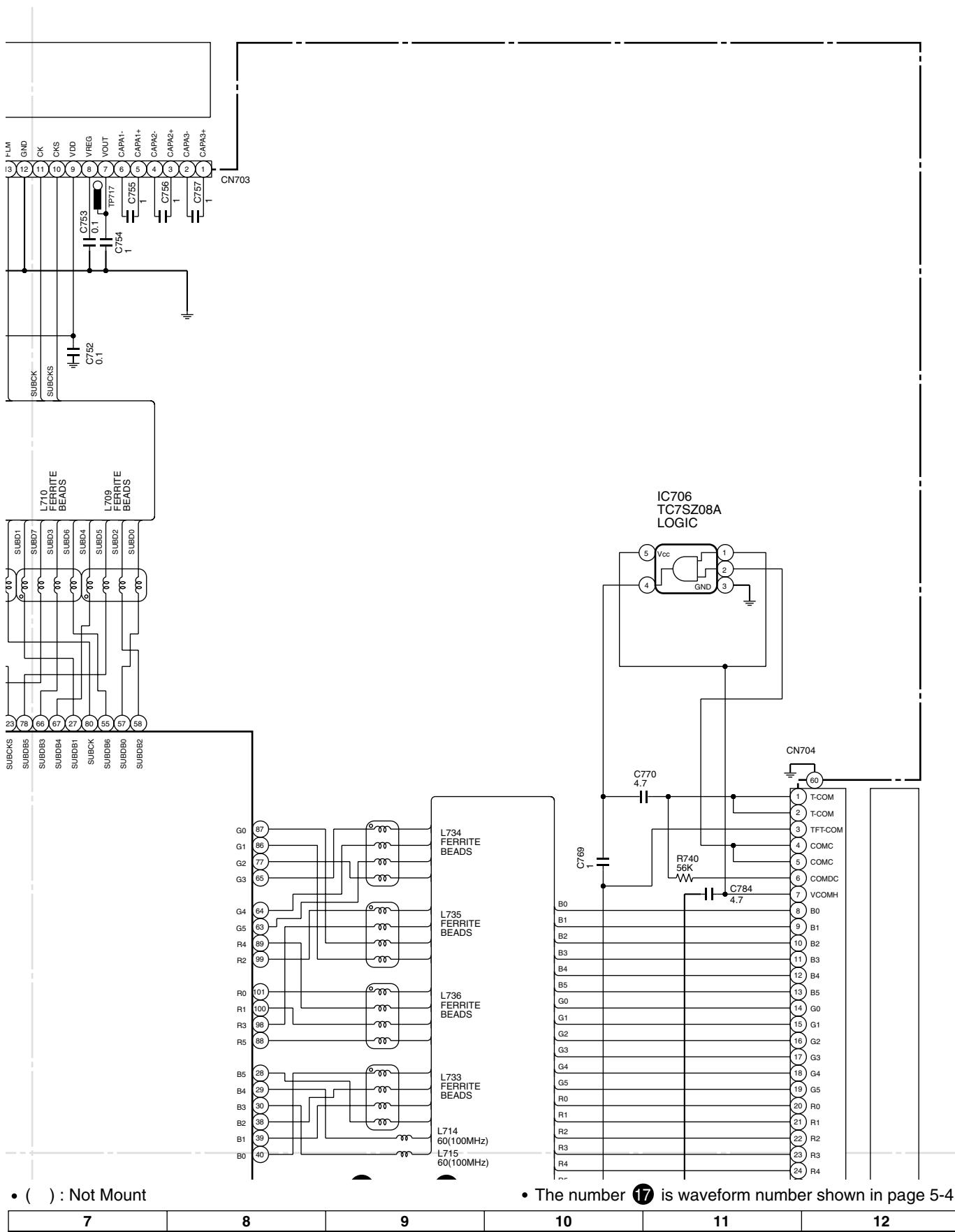


Figure 6 SCHEMATIC DIAGRAM (6/22)

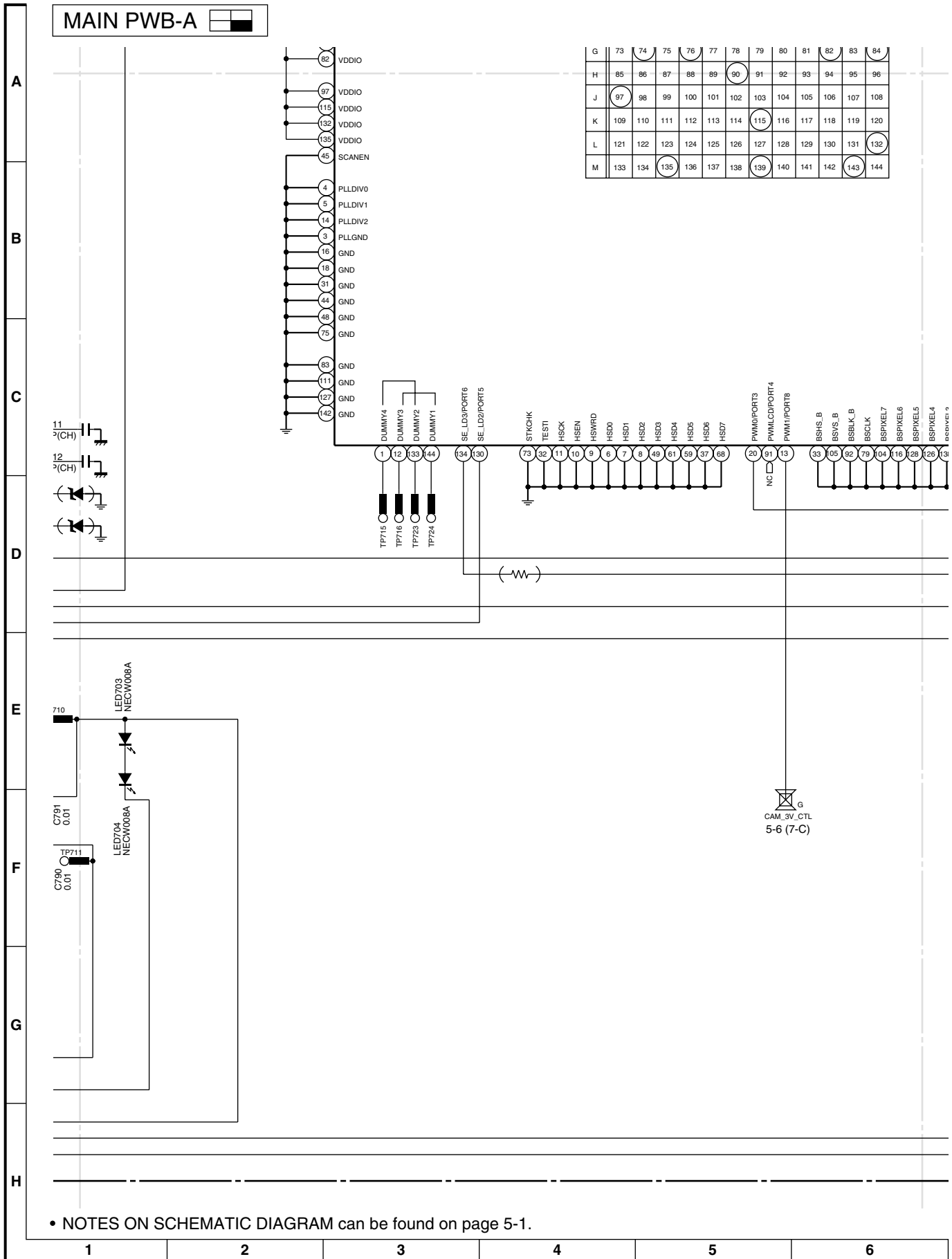
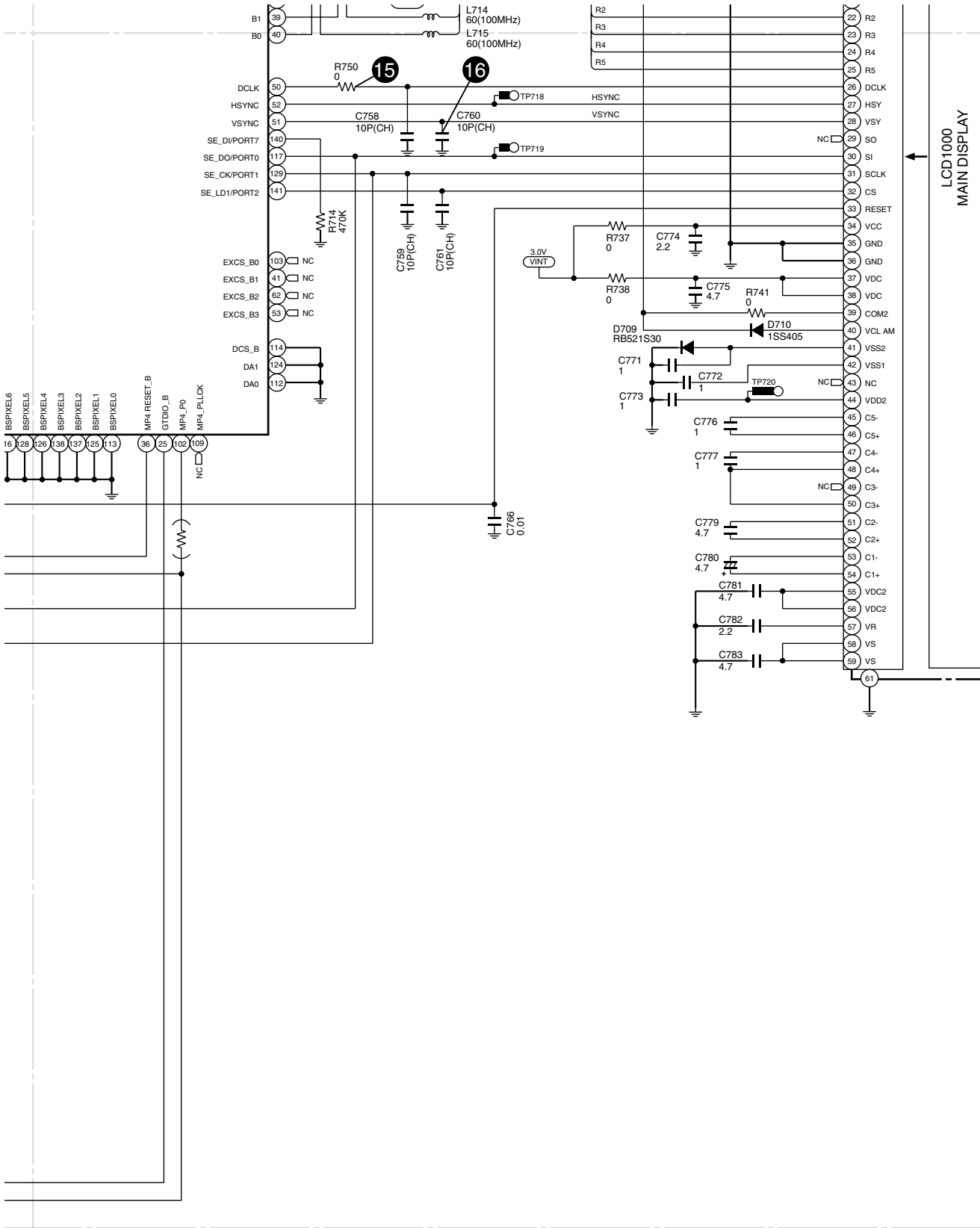


Figure 7 SCHEMATIC DIAGRAM (7/22)



• () : Not Mount

• The numbers 15, 16 are waveform numbers shown in pages 5-3, 5-4.

7	8	9	10	11	12
---	---	---	----	----	----

Figure 8 SCHEMATIC DIAGRAM (8/22)

MAIN PWB-A (FRONT SIDE)

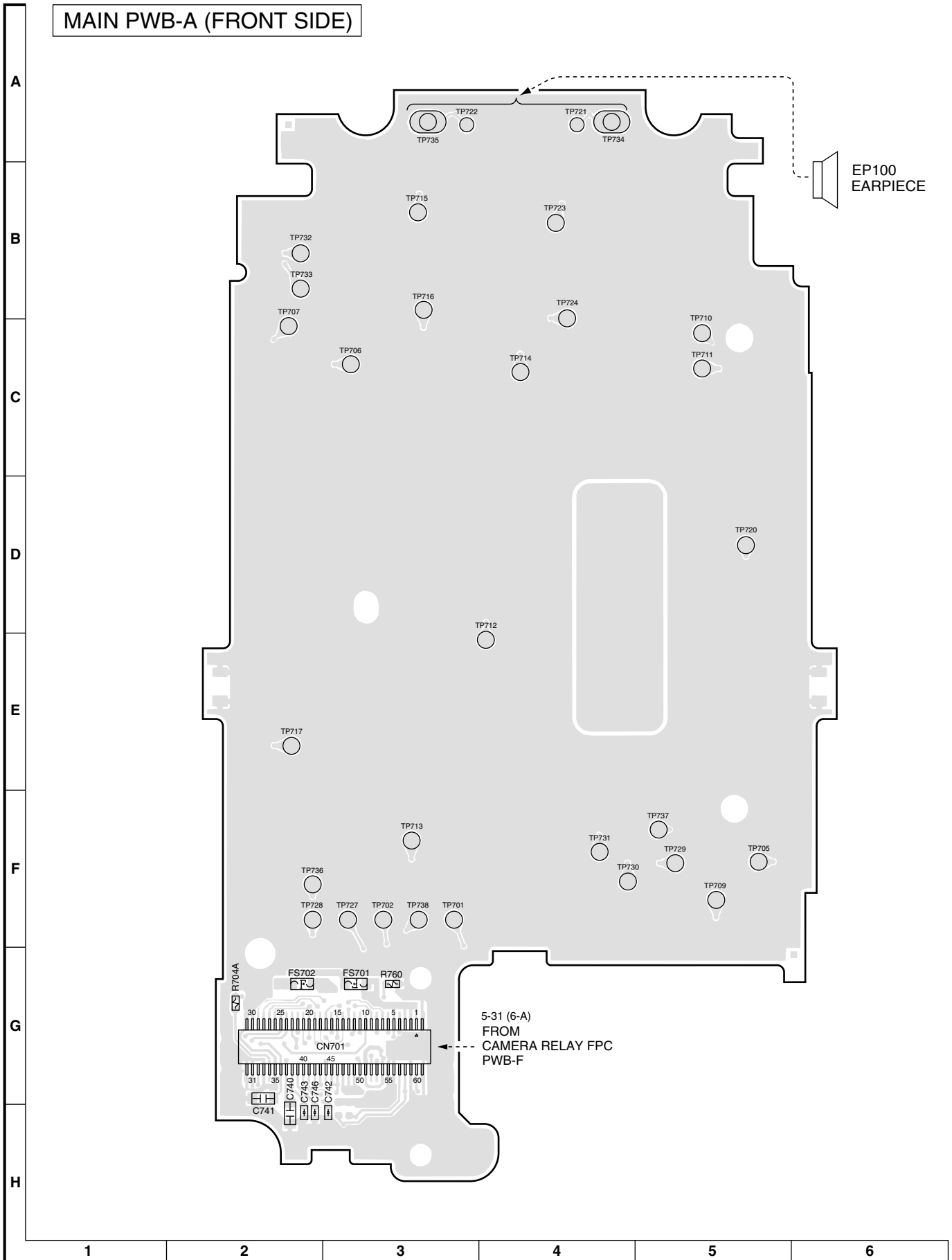
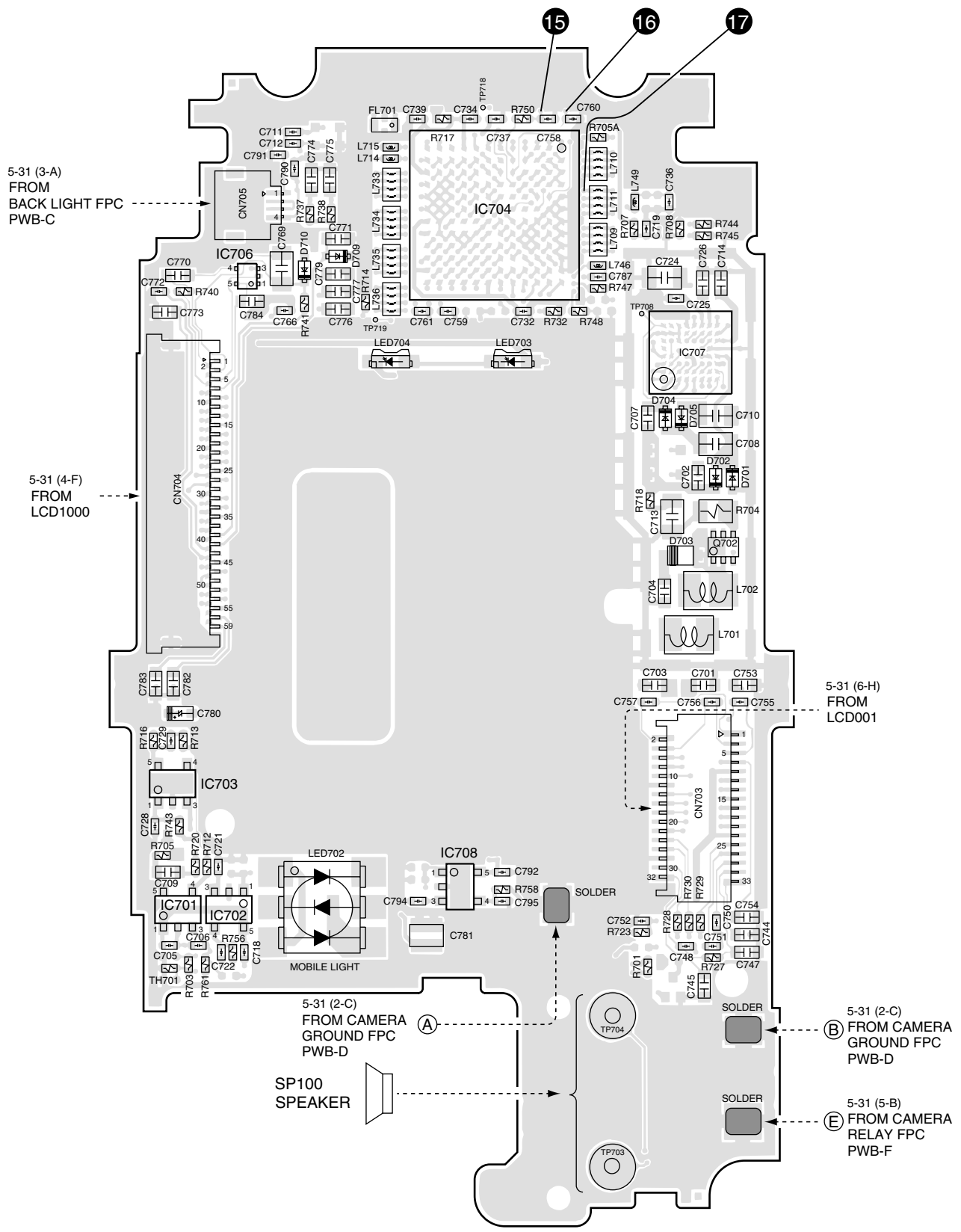


Figure 9 WIRING SIDE P.W.BOARD (1/5)

MAIN PWB-A (REAR SIDE)



• The numbers 15 to 17 are waveform numbers shown in pages 5-3, 5-4.

7	8	9	10	11	12
---	---	---	----	----	----

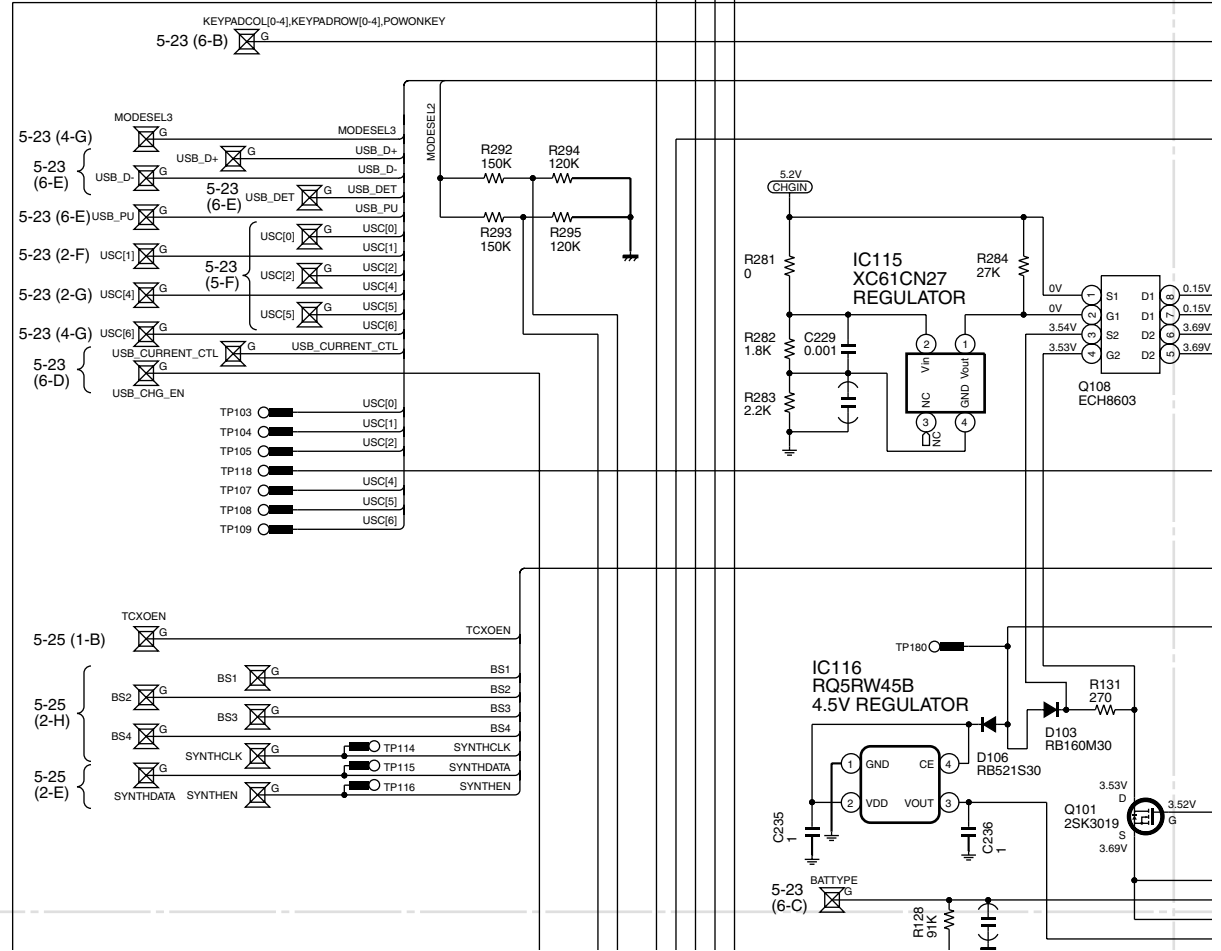
Figure 10 WIRING SIDE P.W.BOARD (2/5)

KEY PWB-B (1/3)

A
B
C
D
E
F
G
H

KEY PWB-B (1/3)

- ▷ RECEPTION SIGNAL
- ▶ TRANSMISSION SIGNAL
- SPEAKER SIGNAL



• NOTES ON SCHEMATIC DIAGRAM can be found on page 5-1.

Figure 11 SCHEMATIC DIAGRAM (9/22)

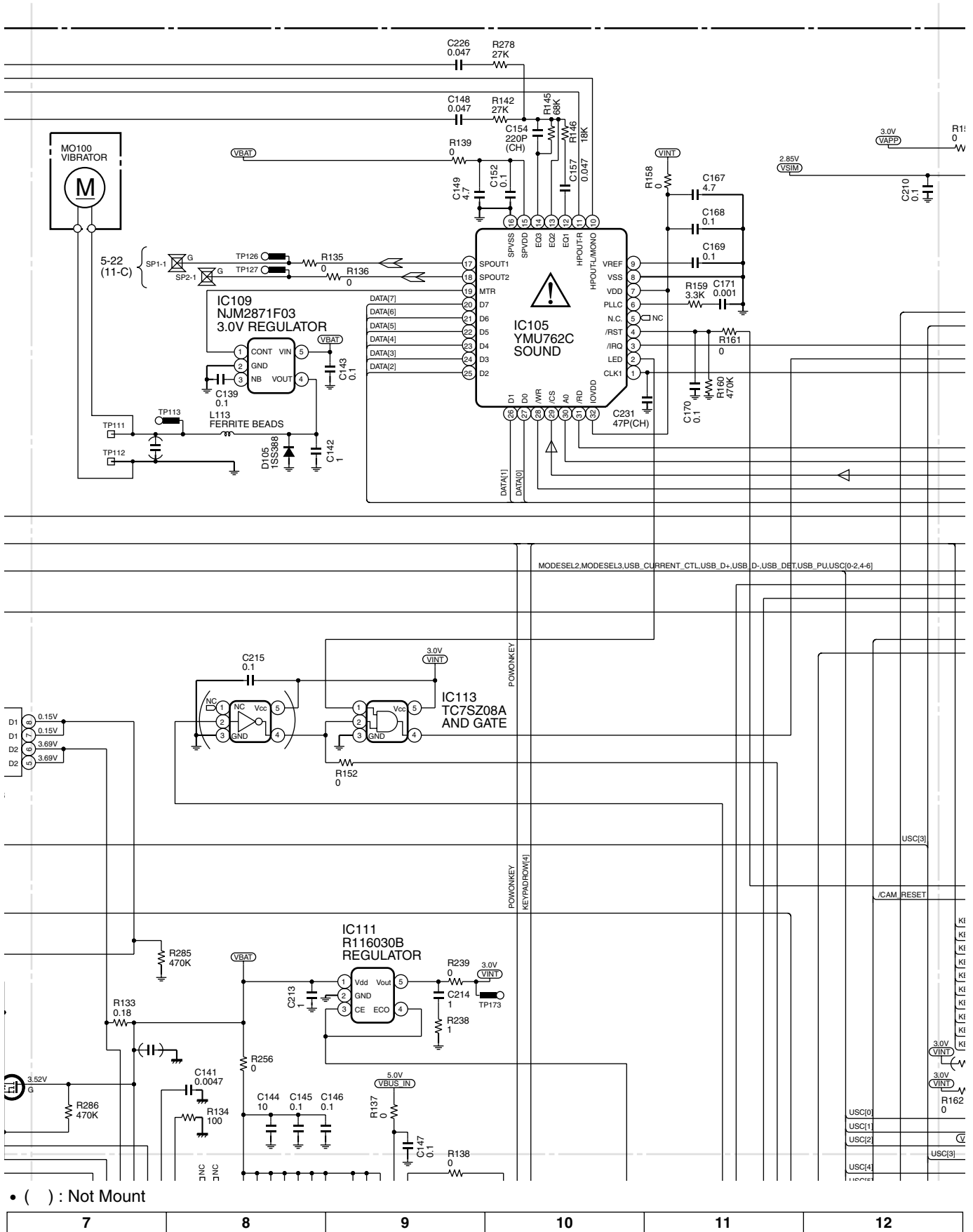
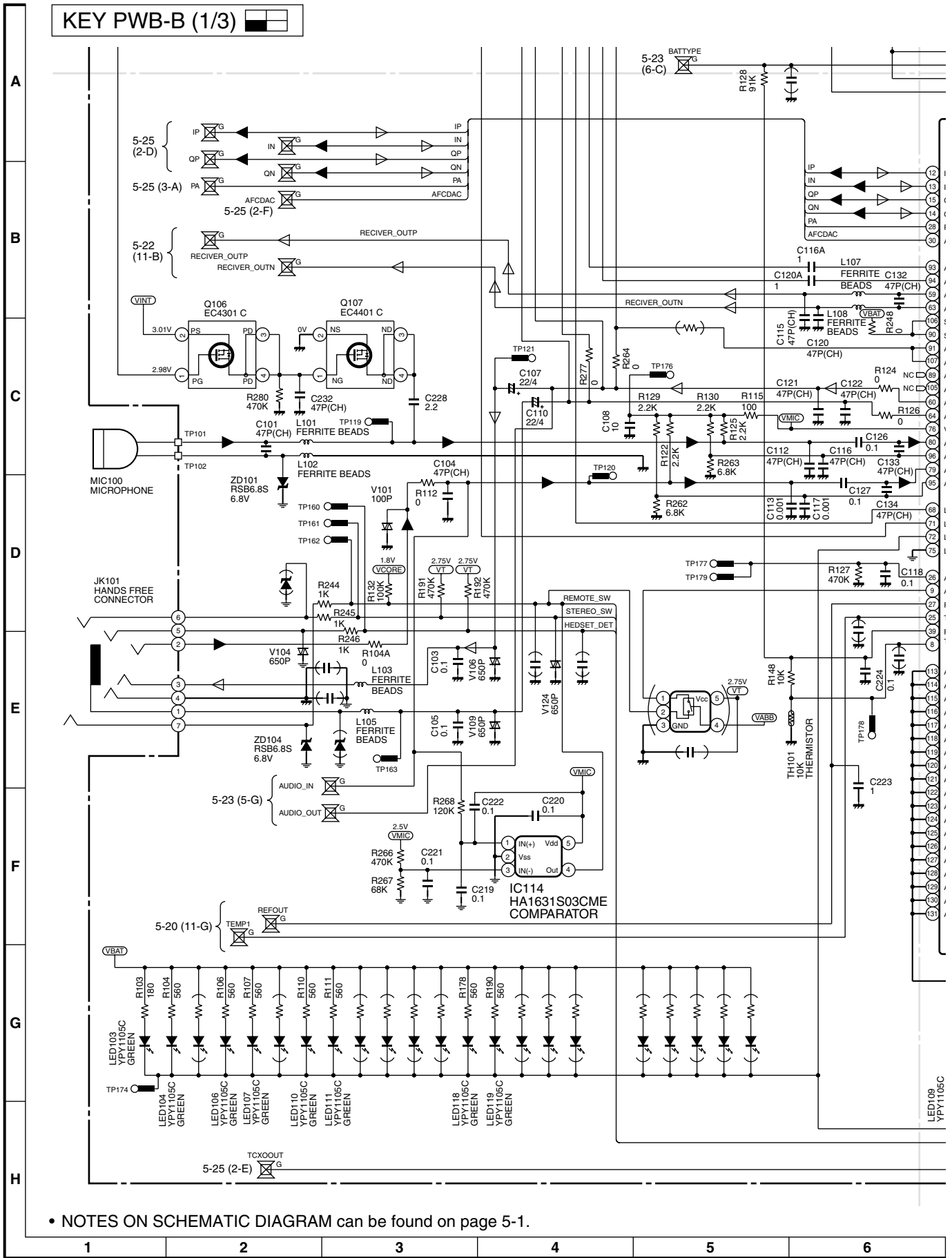


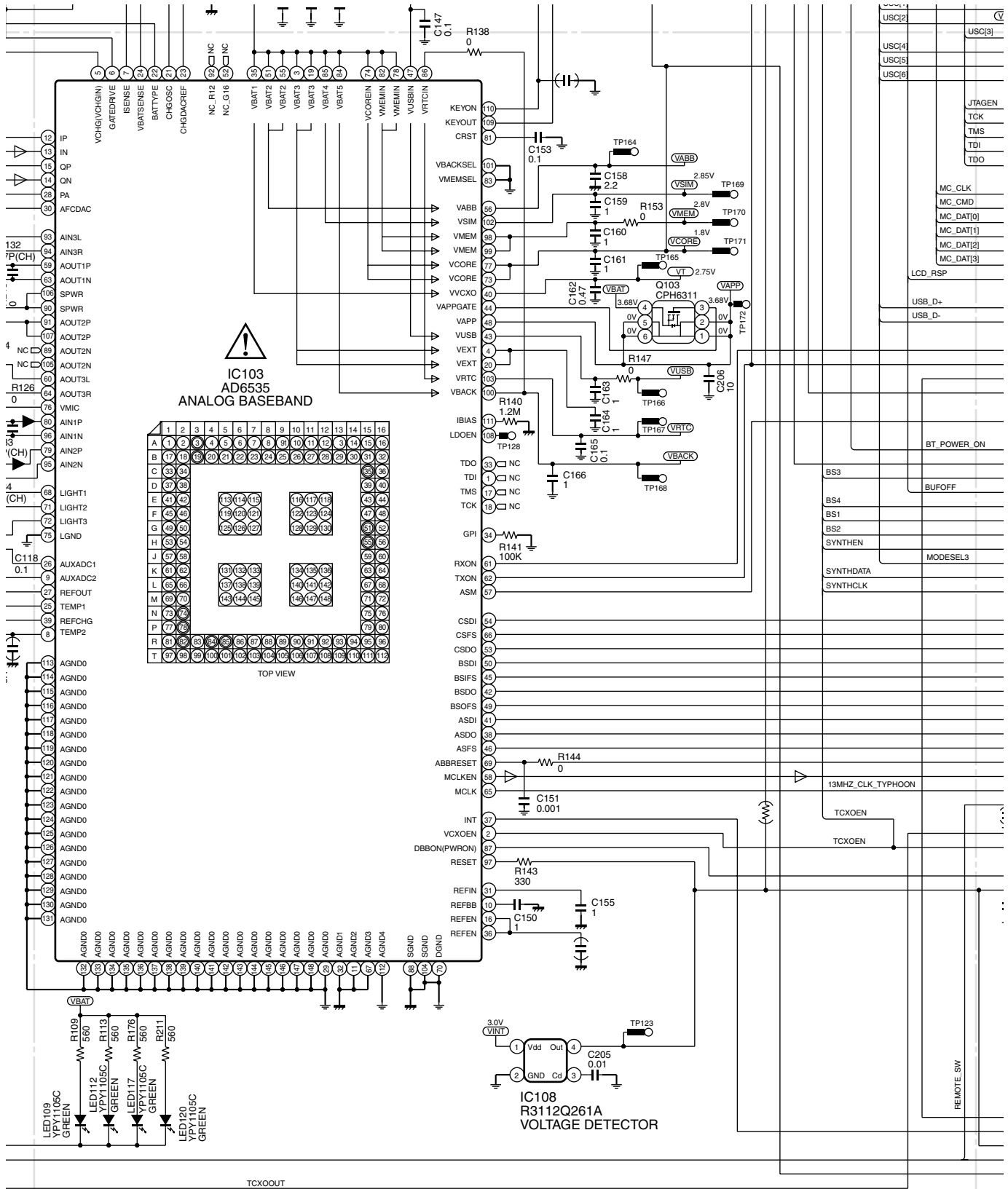
Figure 12 SCHEMATIC DIAGRAM (10/22)

KEY PWB-B (1/3)



• NOTES ON SCHEMATIC DIAGRAM can be found on page 5-1.

Figure 13 SCHEMATIC DIAGRAM (11/22)



• () : Not Mount

7	8	9	10	11	12
---	---	---	----	----	----

Figure 14 SCHEMATIC DIAGRAM (12/22)

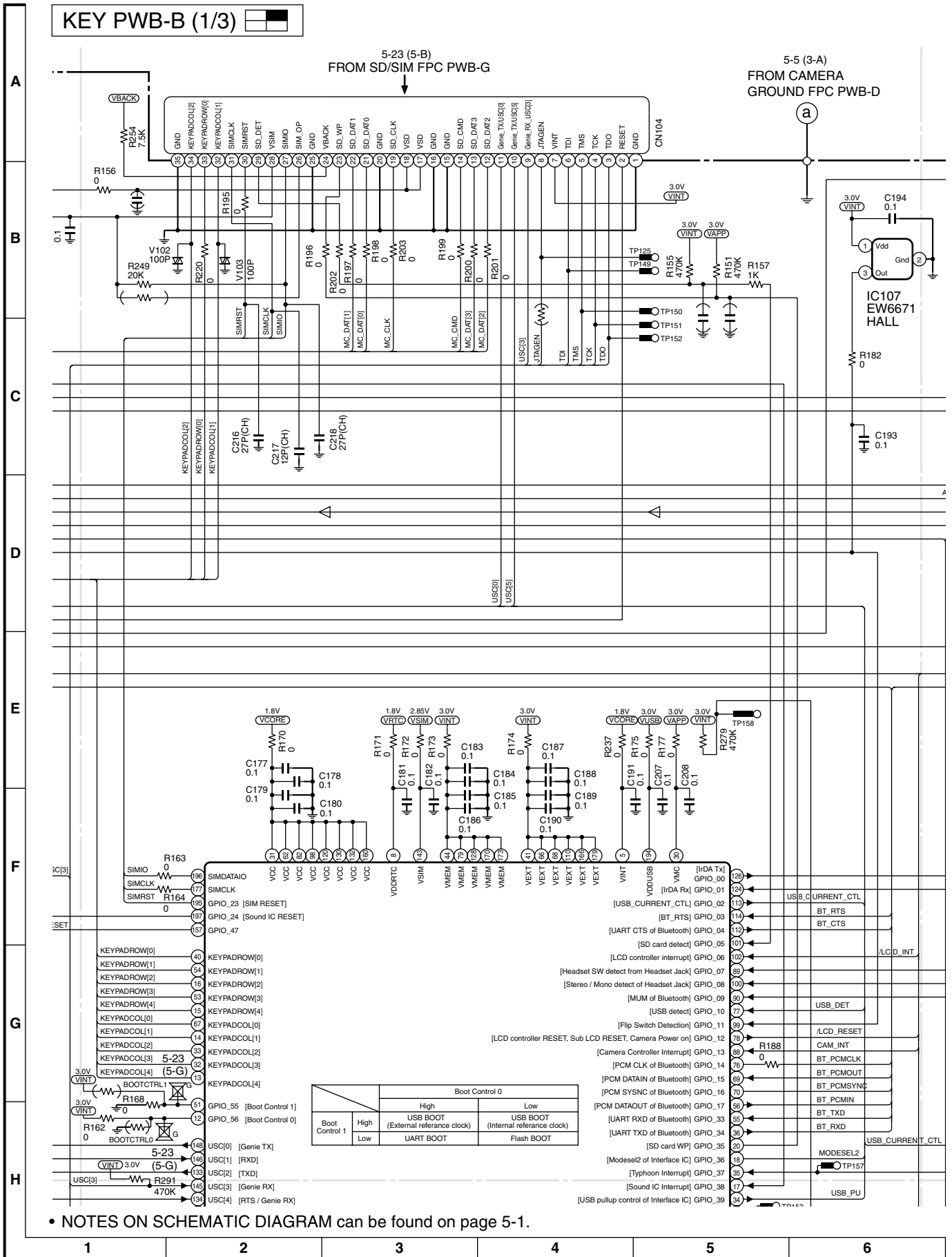
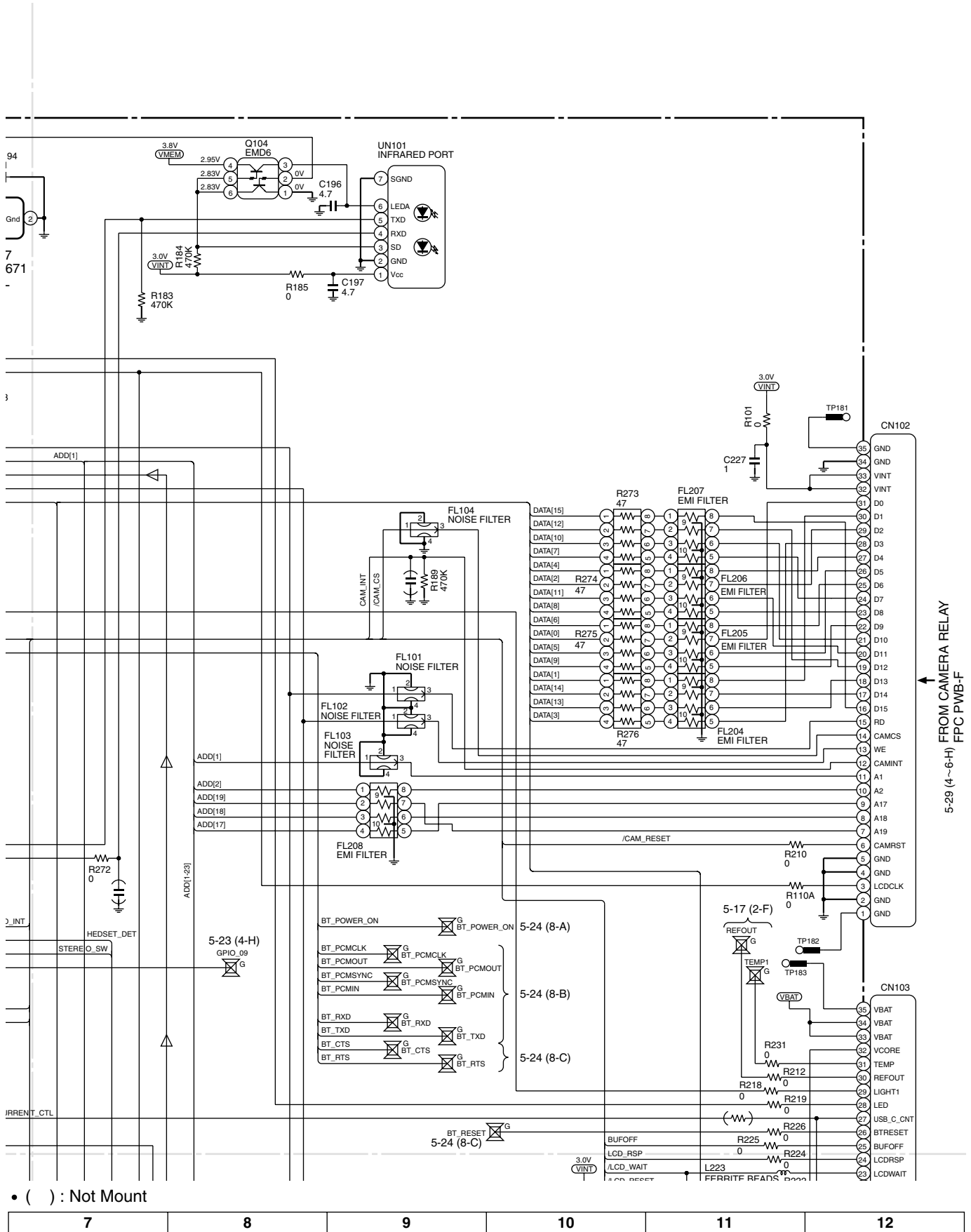


Figure 15 SCHEMATIC DIAGRAM (13/22)



• () : Not Mount

Figure 16 SCHEMATIC DIAGRAM (14/22)

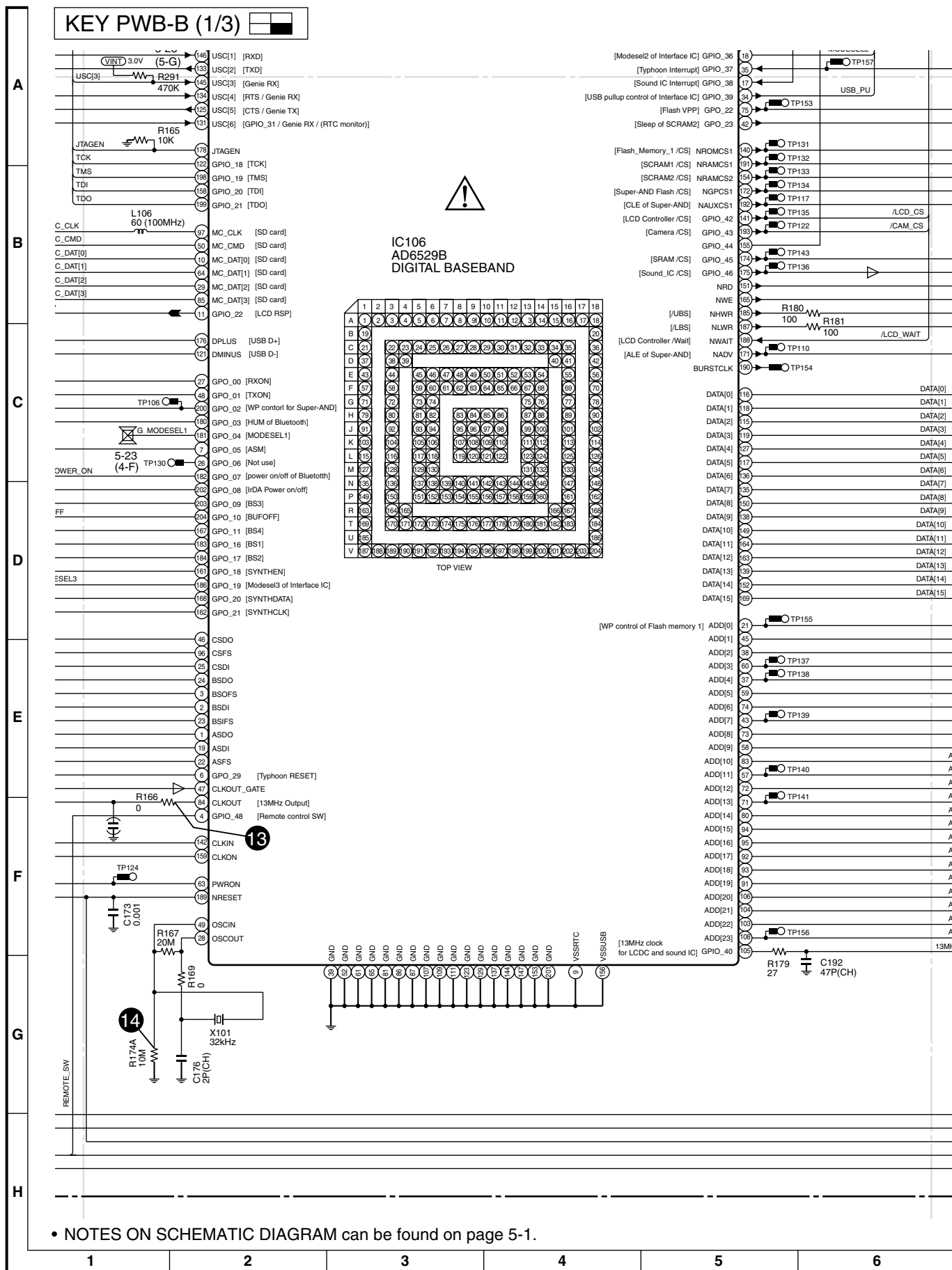
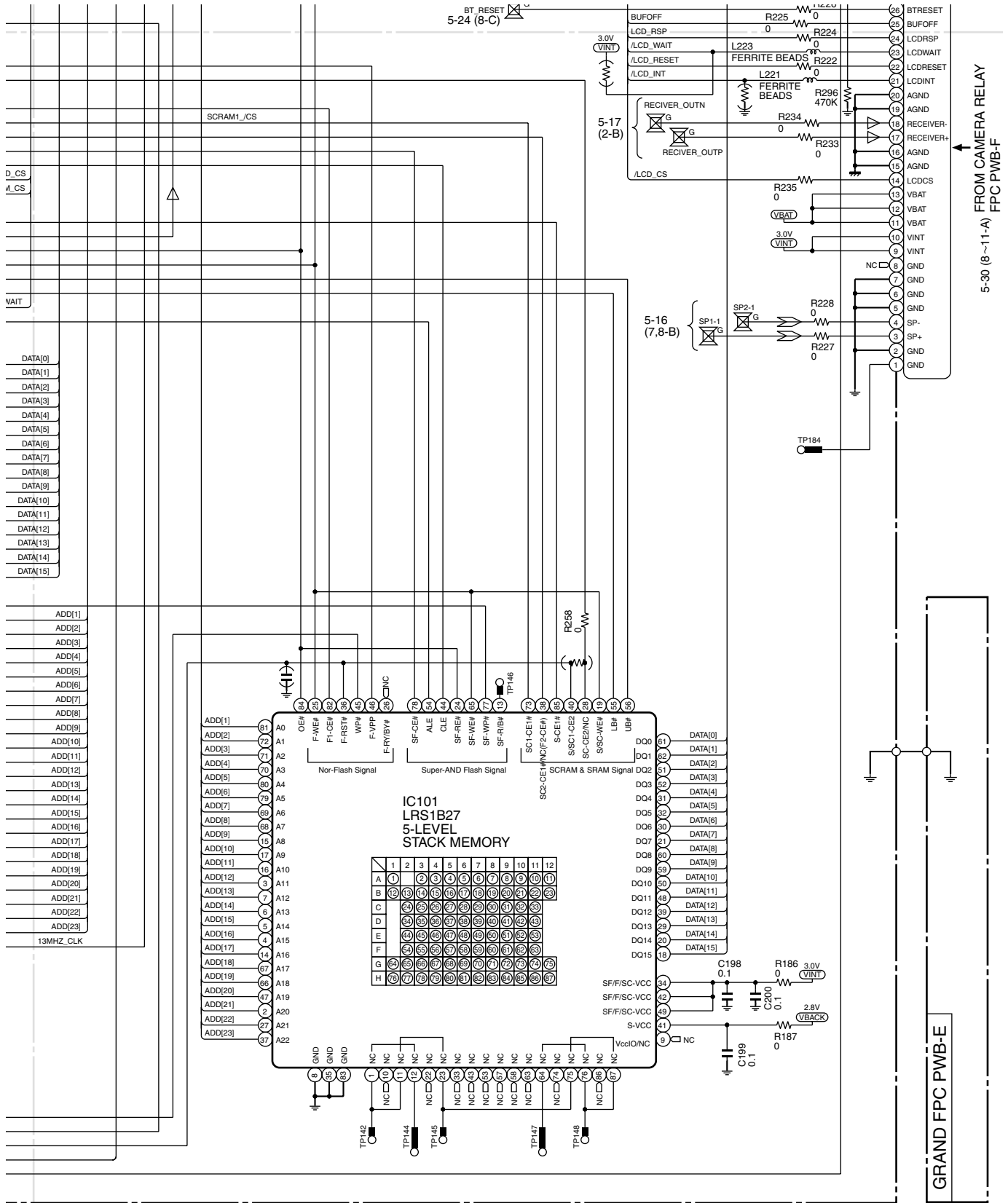


Figure 17 SCHEMATIC DIAGRAM (15/22)



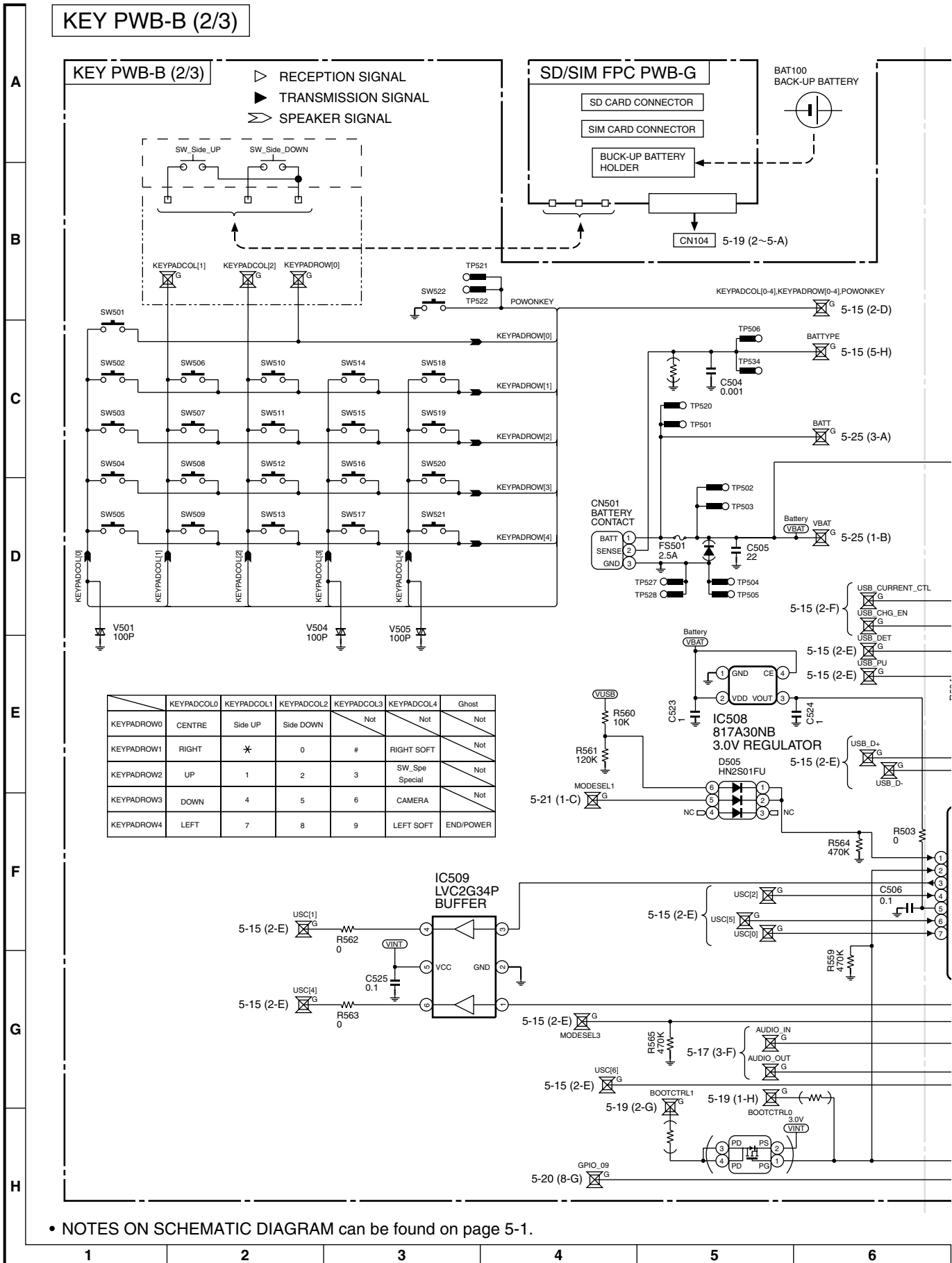
• () : Not Mount

• The numbers 13 , 14 are waveform numbers shown in page 5-3.

7	8	9	10	11	12
---	---	---	----	----	----

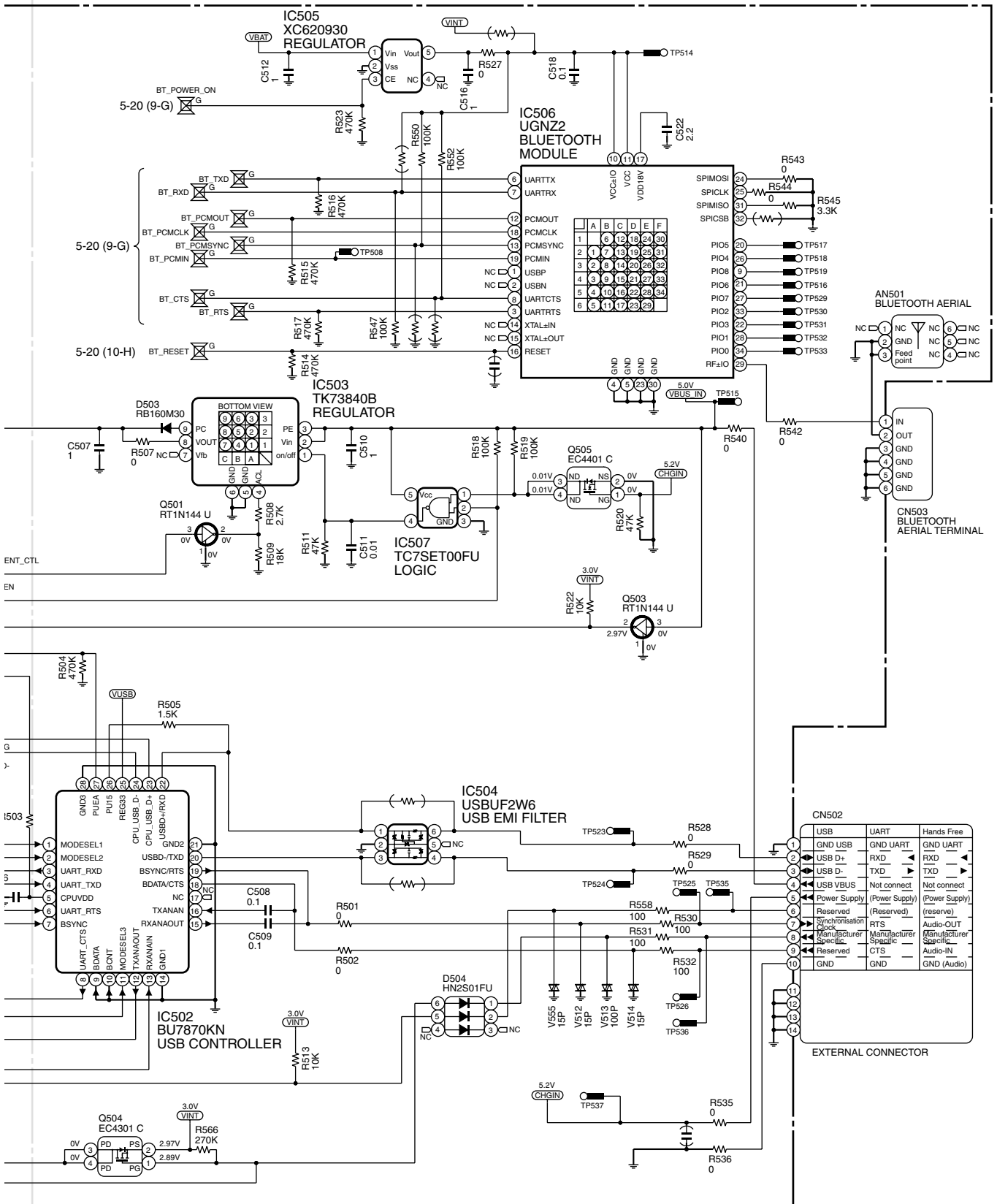
Figure 18 SCHEMATIC DIAGRAM (16/22)

KEY PWB-B (2/3)



• NOTES ON SCHEMATIC DIAGRAM can be found on page 5-1.

Figure 19 SCHEMATIC DIAGRAM (17/22)



• () : Not Mount

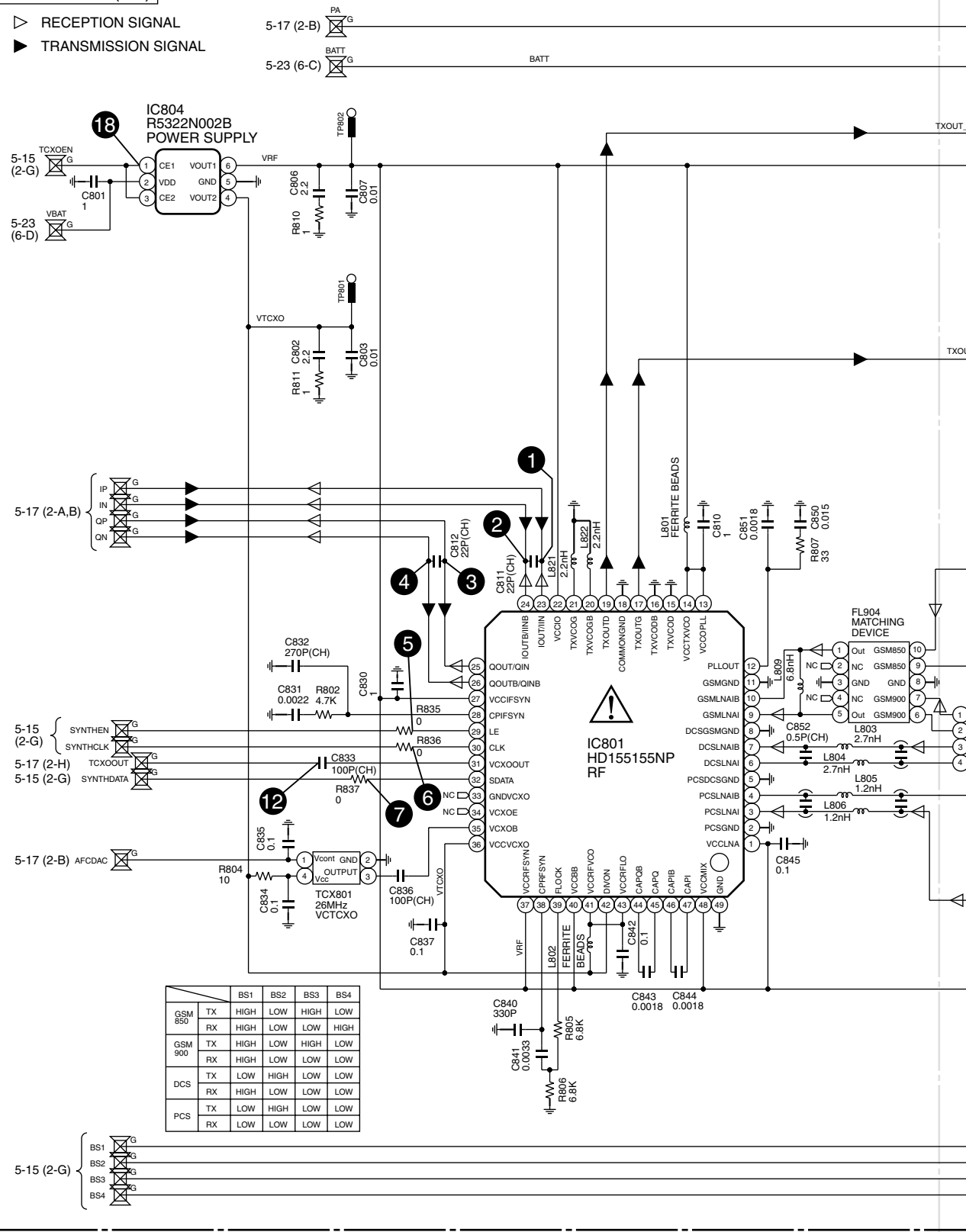
7	8	9	10	11	12
---	---	---	----	----	----

Figure 20 SCHEMATIC DIAGRAM (18/22)

KEY PWB-B (3/3)

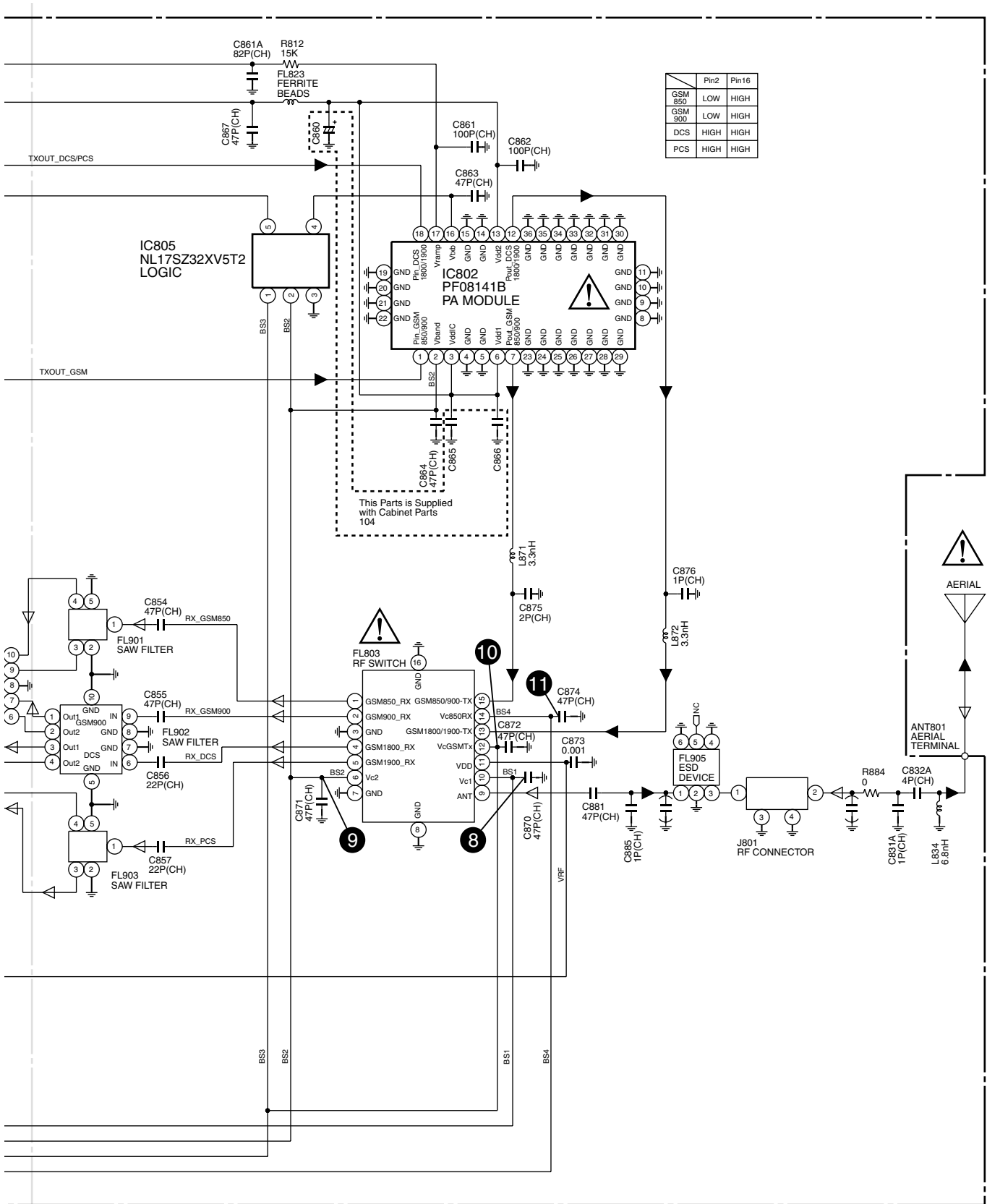
KEY PWB-B (3/3)

- ▷ RECEPTION SIGNAL
- ▶ TRANSMISSION SIGNAL



• NOTES ON SCHEMATIC DIAGRAM can be found on page 5-1.

Figure 21 SCHEMATIC DIAGRAM (19/22)



• () : Not Mount

• The numbers ① to ⑫ and ⑬ are waveform numbers shown in pages 5-2 to 5-4.

7	8	9	10	11	12
---	---	---	----	----	----

Figure 22 SCHEMATIC DIAGRAM (20/22)

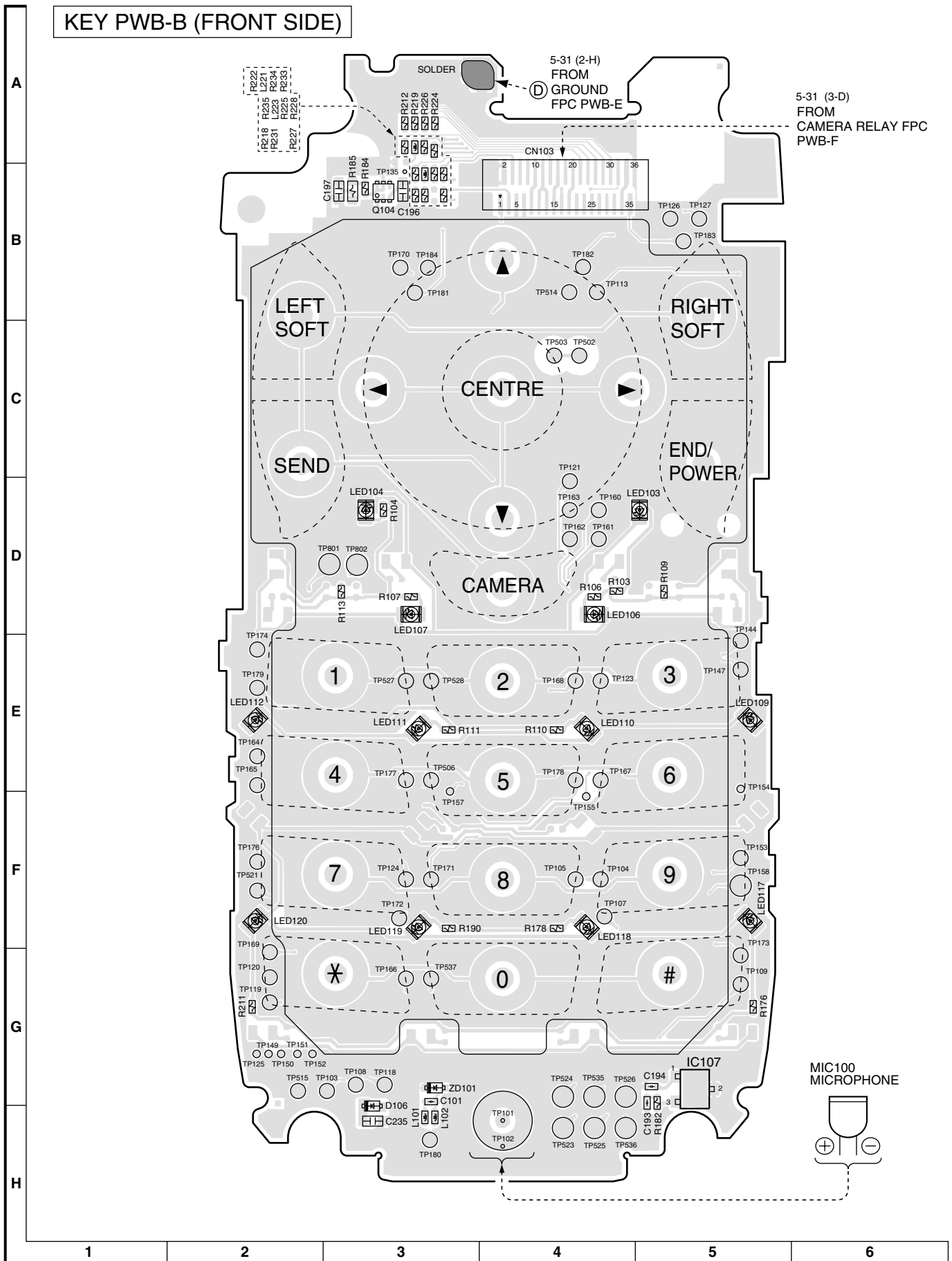
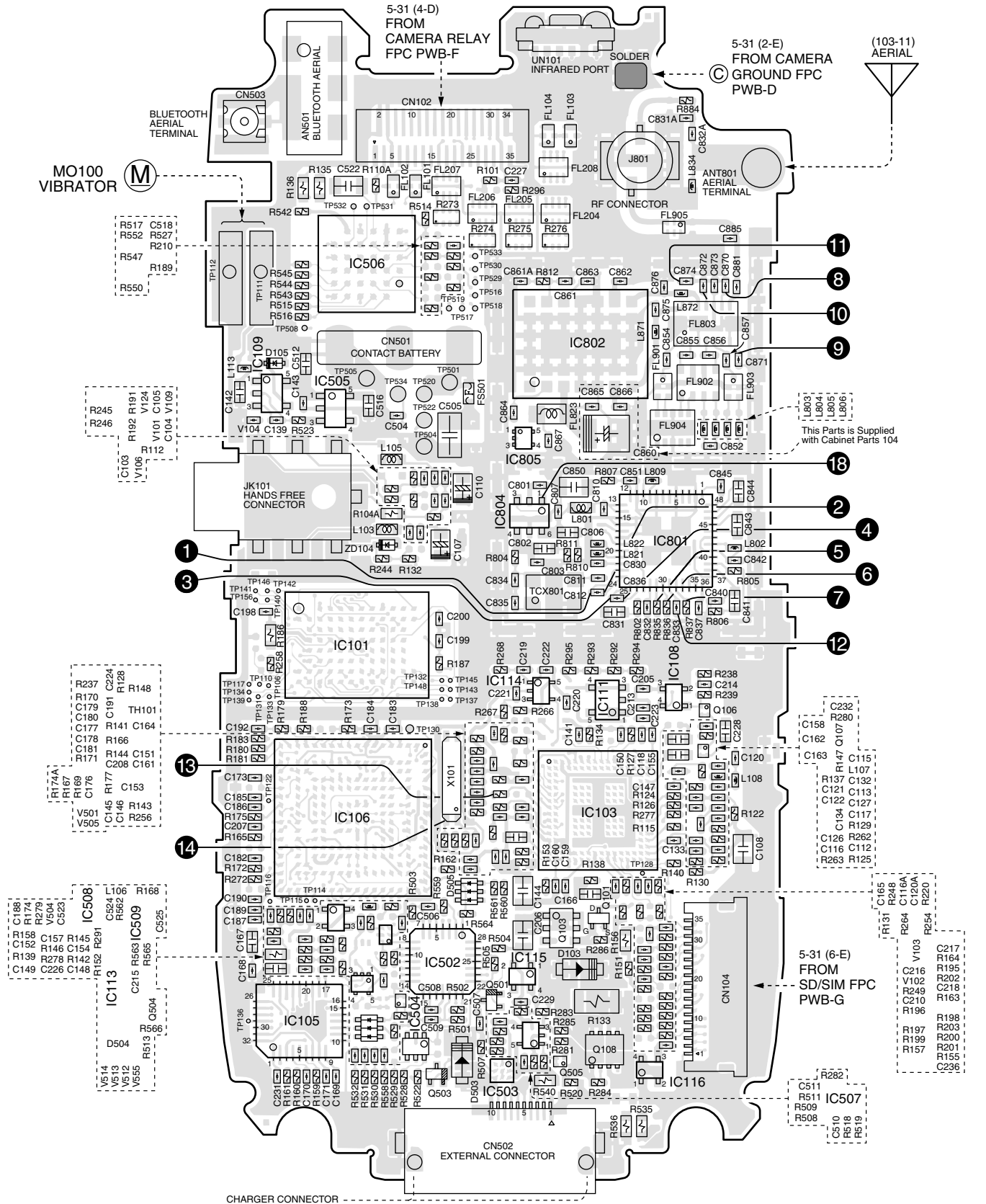


Figure 23 WIRING SIDE P.W.BOARD (3/5)

KEY PWB-B (REAR SIDE)



• The numbers 1 to 14 and 18 are waveform numbers shown in pages 5-2 to 5-4.

7	8	9	10	11	12
---	---	---	----	----	----

Figure 24 WIRING SIDE P.W.BOARD (4/5)

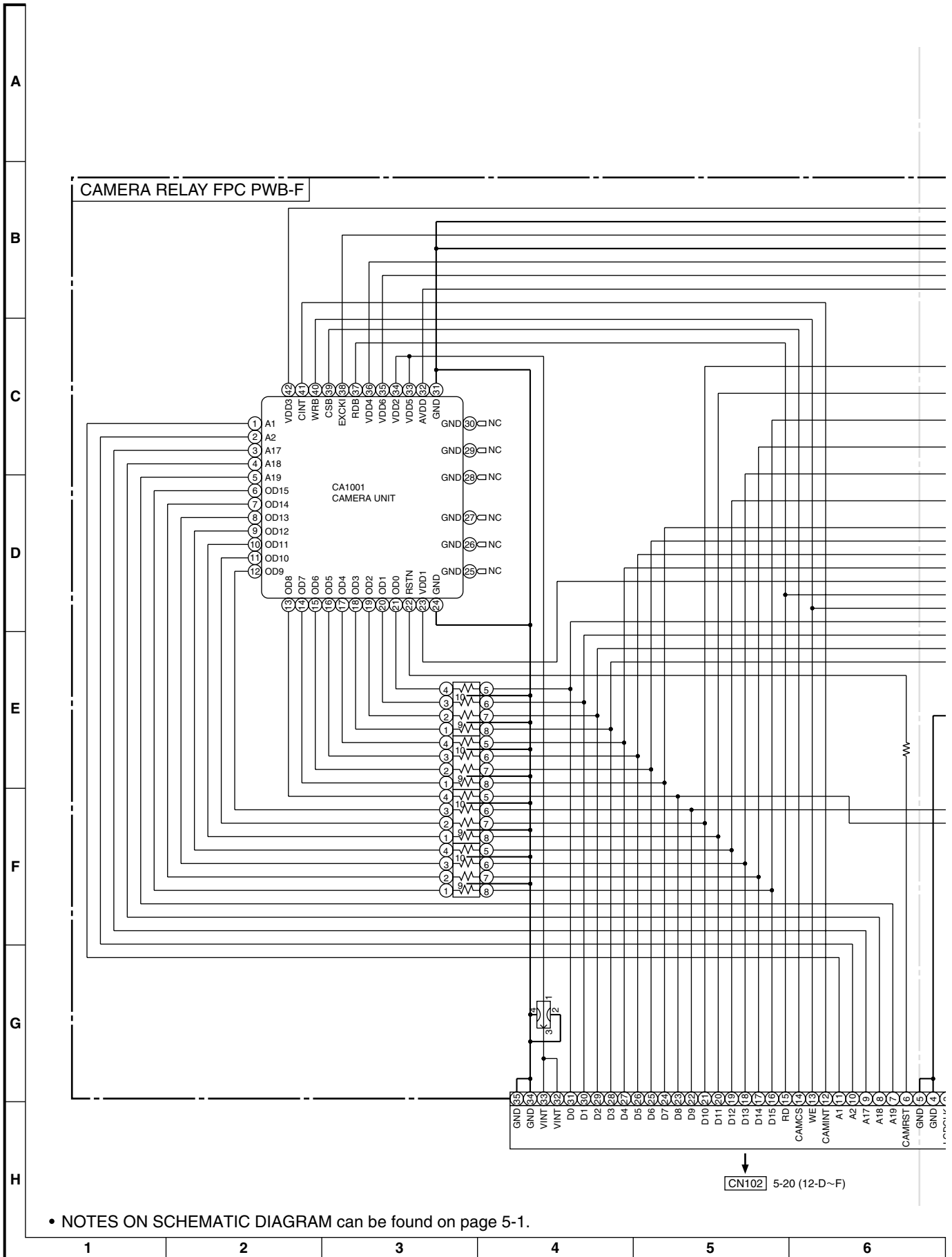


Figure 25 SCHEMATIC DIAGRAM (21/22)

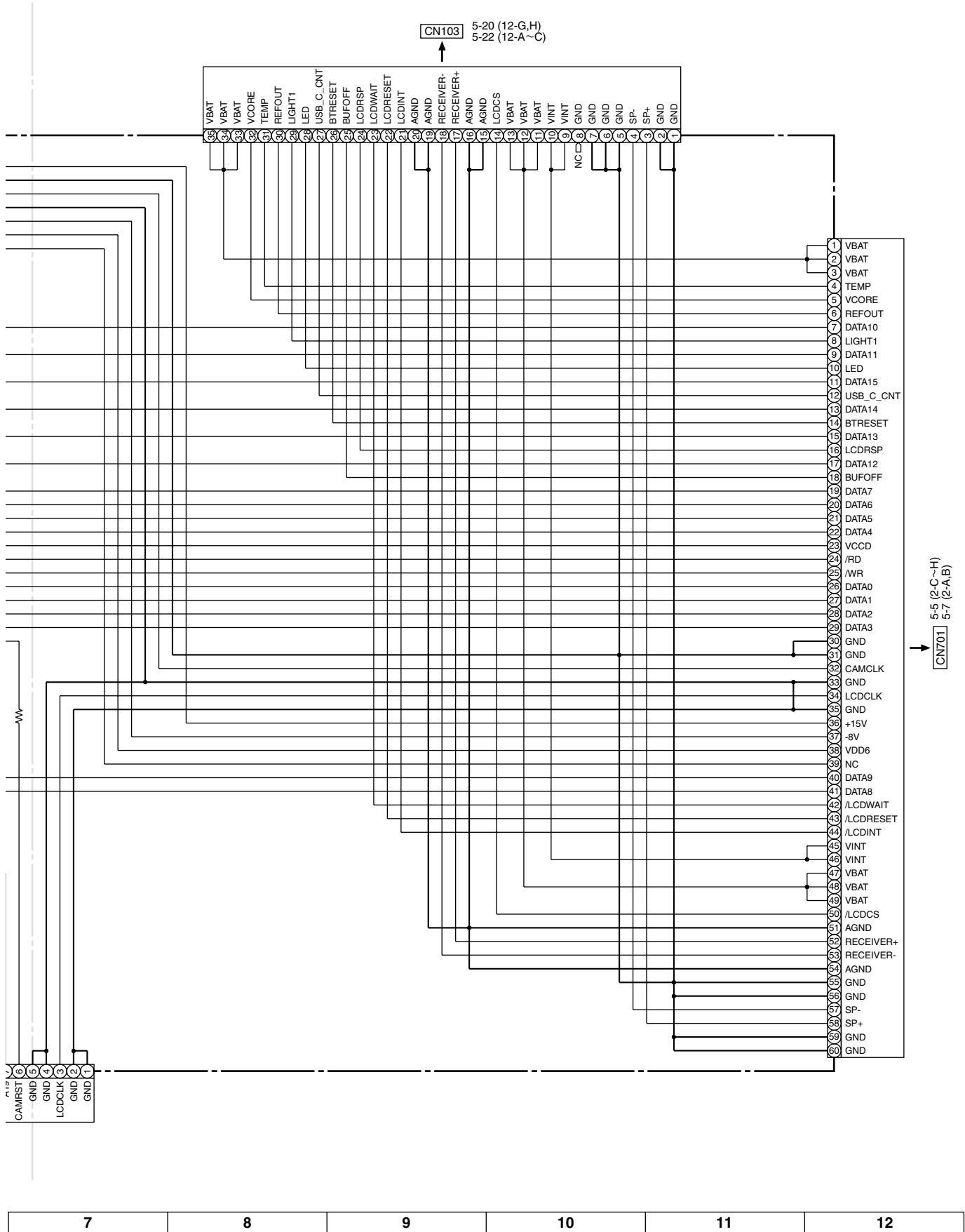


Figure 26 SCHEMATIC DIAGRAM (22/22)

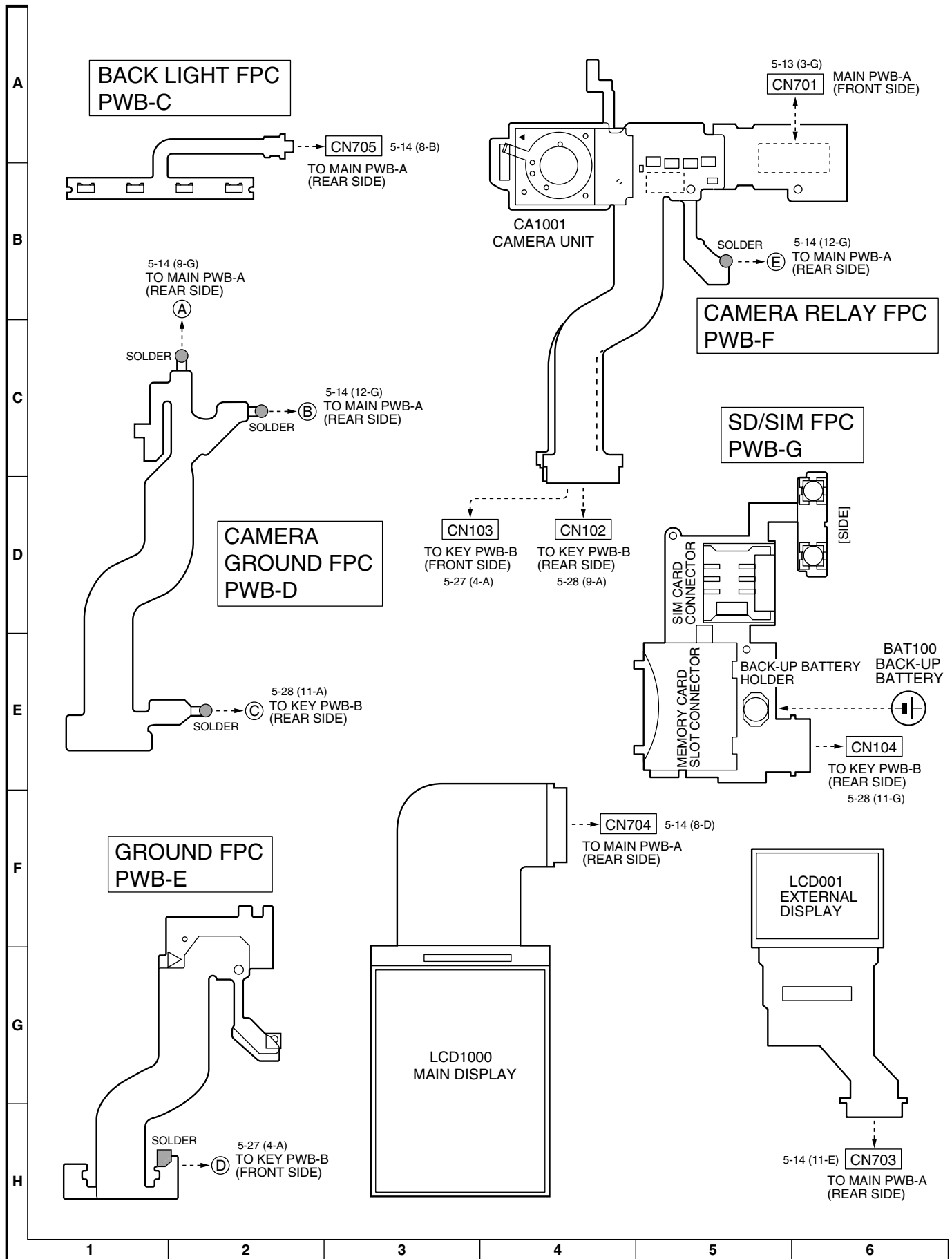


Figure 27 WIRING SIDE P.W.BOARD (5/5)