



READING TIP

**when browsing through
this catalogue it is easier
using two-up view**

(viewing the left & right side next to each other)!

**FOR BEST RESULTS
DO NOT
PRINT THIS PAGE!**

**This page will interfere with the
correct page order when printing
recto-verso.**

The illustrations and photo's in our catalogues and on our website are protected.
It is illegal to copy these in any way or by any means.
You are permitted to print the pages for personal use only.

TRIUMPH SPITFIRE

MKI-III, 4 & 1500 • 1962-1980

PARTS & ACCESSORIES CATALOGUE



TRIUMPH SPITFIRE

MKI-III, 4 & 1500 • 1962-1980

PARTS & ACCESSORIES CATALOGUE

fill your customer number
in for easy ordering

--	--	--	--	--	--	--	--

www.angloparts.com

please visit our website for all contact information

Anglo Parts Shops

**MAIN BRANCH BELGIUM
HOLLAND • ITALY • GERMANY**

Authorized Anglo Parts Dealers

FRANCE • HOLLAND • SPAIN

SWEDEN • FINLAND

CZECH REPUBLIC • SLOVAKIA

LUXEMBOURG • POLAND • HUNGARY



All Rights reserved. No part of this publication may be reproduced or absorbed in any catalogue or information system by any means, Mechanical, photographic, electronic or otherwise, without prior express written consent of Anglo-Parts n.v.



Belangrijke informatie NL - blz 159 • Informations importantes F - page 160
 Wichtige Auskünfte/Allgemeine Verkaufs- und Lieferbedingungen D - Seite 162-163
 Informazione importante I - Pagina 161 • Viktig informationen SE - Sida 164 • Información importante ES - página 165
 Důležitá informace CZ - Stránka 166 • Ważne informacje PL - Strona 167 • Tärkeä tietoa FI - Sivu 168

IMPORTANT POINTS

The general policies of our business are printed on the reverse side of our invoices and are on our web site. Updates are printed in the most recent catalogues and price lists and are updated on the web site. When you order goods from us you agree with our policies and accept them. You are always free to ask for an updated publication. The most recent will succeed all previous. Please read below, the most important points.

OUR SALESMEN

We are not trained automotive technicians and can not be held responsible for errors we say or write, we are enthusiasts who like to help. For technical information, we recommend you use the books listed in this catalogue.

OUR CATALOGUES/WEBSITE

We have made every effort to make sure that the information in our catalogues and on our web site is correct. We can not be held liable or responsible if any mistake or inaccuracy exists in specification, pricing or part number. We have the right to correct any error. The illustrations and photo's in our catalogues and on our web site are only representations, products supplied may vary from illustrations and photo's, but will function the same way with similar quality.

OUR PART NUMBERS & PRICES

All parts (or sets of parts) have our own part number and refer to one item only. THE QUANTITY REQUIRED ("QTY") stands for the quantity used for particular application. The quantity you order can be different and should be marked when you order. Parts not available new, might be available in second hand condition. These second hand parts are not always listed on the web site or in our price lists. Information will be sent to you on request. Prices shown on the web site and in the price lists are for one item and information only and are subject to change without prior notice. Prices on the web site can be seen with or without VAT depending on your choice. Price lists supplied with the catalogues can exclude or include local VAT, this is indicated on each price list. Part numbers are made from six figures. The first three figures will indicate the nature of the part. For example 161 stands for nuts, 162 for screws, 163 for washers, etc. The condition of the part we sell is indicated on the web site and in the price list. The following codes will appear on the web site in the catalogue parts lists and on the price lists supplied with catalogues, near the number, for the parts which are.. SH - Second Hand, EX - supplied on an EXCHANGE BASIS, and a SURCHARGE will be invoiced. NA - Currently NOT AVAILABLE. LH - Left Hand or RH - Right Hand. Always viewed from the drivers seat. LHD - left Hand Drive, RHD Right Hand Drive, A/R - AS REQUESTED, means the quantity required can vary from application to application. USE - the part number has been replaced by an other part number indicated.

ORDERS

Orders are welcome through the WEB SITE, E-MAIL, FAX, LETTER, TELEPHONE or by visiting a Anglo-Parts branch.

For orders not made through our Web site, can we please ask you to prepare the following, using our ORDER FORM.

- Your CUSTOMER NUMBER, name, address, telephone number work/home, fax number, codice fiscale (for Italian customers only) or VAT number for European companies.
- Specify if shipping address is different.
- CAR TYPE INFORMATION, make, model, year build etc.
- Provide Anglo Parts PART NUMBERS only.
- Indicate the quantity desired and parts description.
- Indicate method of payment: VISA, MASTER CARD, EURO CARD or advance payment by bank.
- Once an order placed, we put this in the computer system and the processing of labels, lists and checking lists will follow. Changing an order already placed, will hold up the whole system and automatically cause delays, we therefore ask for your help by checking your order twice prior to send it to us. This will help us deliver the parts in time. Thank you for your understanding.

PAYMENTS

CREDIT CARDS: At this time of writing, we accept the following credit cards: VISA, MASTER CARD, EURO CARD. Please supply credit card number (mostly 16 figures), expiring date and name as appears on the card.

BANK: When your merchandise is being picked, packed in boxes, weighed and sized, the invoice will be made and we inform you of the total amount to be paid, invoice (**Not for Web site**) number and our bank references. Please note the invoice number and your customer number with any payment you do.

SHIPMENT

NATIONAL: We deliver door to door and goods including the transport costs must be paid at delivery C.O.D., if a credit card was not used.

INTERNATIONAL: We ship UPS prepaid, for small parcels. The only cost still to be paid at reception might be your local TAX. For large or heavy parcels we use an economical and fast transport method. ANGLO PARTS packs its boxes very well and the risk of receiving damaged goods is very small, however the following must be noted. Anglo Parts will not be held responsible for goods lost or damaged in transit. For shortage or damage claims not caused by the transporter, a claim must be made within three days of receipt of the order. All packing materials should be retained. Transport of glass in not insurable and will be transported at your own risk.

RECEIVING YOUR GOODS

For all shipments, by arrival, please check that no seal or tape is broken and the package is not damaged. In case of any damage or shortage, write this on the carrier's sheet in accordance with the actual condition and quantity of contents BEFORE you sign the freight bill or receiving note. Keep your copy attached with the invoice and make a claim to the transport company immediately. In any case, save the packing material until everything is settled. Anglo Parts checks goods while picking from stock and again while packing but the final check must be made by the customer himself at arrival. Make sure that the parts received match the ones you ordered and that mechanical parts function correctly. Do not wait with checking the goods until you actually need them and report problems within three days of receiving the goods.

WARRANTY

Almost all parts made for the classic car industry are made in small quantities by companies who are willing to do this at an acceptable price. We at Anglo Parts check the goods for approval but we are not able to inspect each individual product. It is the responsibility of the user to make the final inspection of the part PRIOR TO fitting. Especially mechanical parts must be checked to make sure they are in perfect working condition. The warranty period starts from the invoice date, not from the installation date. Our parts carry normal and reasonable warranty but claims will be limited to the value of the component and in no case should cover labour, transport, failure of related component, failure resulting from faulty installation or parts being used for rally or competition. All products for warranty claim must be returned to the shop where you bought it by using the following procedures: the value must be over 8 euro, the goods must be sent back with shipping and taxes prepaid, all parts must be returned clean and well packed, once you or a third person has disassembled the part, our responsibility for it has ended. Anglo Parts will make the final decision of whether the unit was inherently defective or damaged during installation. We shall investigate this offer when we have received the goods back from you in undamaged condition. During the return these goods may not be damaged by poor packing or by transport. The warranty period for reconditioned parts is limited to 6 months and 4 months for rebuilt shock absorbers, most other parts are warranted against defects in material and workmanship by the original equipment manufacturer or by Anglo Parts nv for a period of one year starting with the date on the invoice.

RETURNS

If you received an incorrect item, and the mistake is yours, we are willing to restock this item and we will credit the value of the goods less a 15% restocking charge. No returns will be accepted without your invoice copy, after 30 days from the invoice date, for bearings, pistons, piston rings, goods by meter, trim parts (hoods, soft tops, tonneau covers, seat kits, panels etc.) books or any parts where installation has been attempted. Goods must be returned transport and taxes prepaid. Anglo Parts is not able to refund the taxes paid in the country of arrival, shipping or packing charges and commission we had to pay to the credit card company. You can use the value of this credit note again in a future order of the same value. We do not refund the value of credit notes.

SURCHARGE - CORE DEPOSITS

A surcharge will be added on the price for parts offered on an exchange basis. The surcharge price can be seen on the web site in the catalogue parts lists and is listed in our price list near the part number related and will be invoiced pending the return of the old reservicable unit. This surcharge will be refunded in full providing that we receive the unit complete, clean, drained of oil and returned within two months of our invoice date. Please also provide a copy of our invoice. All returns must be sent back with full shipping charge prepaid. If you export the old unit to us, a letter should be sent to us with your name, address, telephone number, date of sending and description of the goods you are returning, including the surcharge value. Please make some copies and stick one on the parcel, one into the packing and keep one for yourself. We will need this information for importing the goods. Upon its arrival we will immediately check the following points: is the packing well done and has there been any damage during the transport, is the old unit similar to the type of unit we have sent to you (correct original), is the unit complete and are the essential parts rebuildable. Please do not send a MGA wiper motor for exchange with a TD wiper motor, do not send a distributor without the advance system. In this latter sample we will refund the surcharge for the distributor less the value (in our opinion) of the advance system.

BACK ORDERS

Goods which are not in stock at the time of your order will be kept in back order. We will inform you when these are available again and parts will be reserved for you for a period of fourteen days starting from the day you were informed. If you do not contact us within this period, we will put the part(s) back in our stock to be sold to other customers. By ordering you can also specify "No Back orders" or ask us to cancel all previous back orders. When a part you had on back order becomes obsolete, we will let you know as well. If you decide to take this part in used condition, please ask us and we will do our best to obtain it, if possible.





How to read and use the part number list

i

PART NO.	QT	DESCRIPTION
7 111.003	1	Joint ring, exhaust manifold to exhaust
8 011.157	1	SPIN-ON Oil filter conversion plate.
9 011.279	1	kit, containing all studs, nuts and spring washers for fitting thermostat housing and manifold
111.038	1	Paper oil filter with seele
	1	Metal SPIN-ON oil filter

GB
ILL n°.

illustration number

Part n°.

Part number

QTY

Quantity required

DESCRIPTION

Part description

Illustration number

Exceptions: If a part has no illustration number it is because there are several kinds of the part in question.

e.g. Left and right hand door panel.

Part number

Exceptions: A part number may be missing if the part is no longer obtainable or in production.

Necessary quantity:

ATTENTION: indicated here is the quantity of units necessary and **not** the quantity of units which are supplied per order/delivery. Our parts are sold per unit.

Part description

With dimensions of screws, bolts, cables, etc. Information about carburettors, electricity etc., details about books giving more information about the part itself: original, reproduction, reconditioned, etc.

NL
Illustratie nummer

Uitzonderingen: Een onderdeel heeft geen illustratie nr. omdat er meerdere soorten van het bestaande stuk zijn.

vb. Links en rechts deurpaneel

Onderdeelnummer

Uitzonderingen: Een onderdeel-nummer kan ontbreken wanneer dit stuk niet meer te verkrijgen of in productie is.

Nodige Hoeveelheid

LET OP: Hier wordt de hoeveelheid stuks die nodig zijn vermeld en **niet** de hoeveelheid stuks die worden geleverd bij bestellingen. Onze onderdelen worden verkocht per stuk.

Onderdeel beschrijving

Met maten van schroeven, bouten, kabels enz. Informatie over carburateurs, elektriciteit enz. Details over boeken die meer informatie geven. Informatie over het onderdeel zelf: origineel, reproductie, gerestaureerd enz.

F
Numéro illustration

Exceptions: Si une pièce détachée ne comporte pas de numéro d'illustration, c'est que la pièce existe en plusieurs versions.

Exemple: Panneau de porte gauche - droite.

Numéro de la pièce

Exceptions: Si ce numéro n'est pas indiqué, c'est parce que cette pièce n'est plus disponible ou qu'elle n'est plus en production.

Quantité nécessaire:

ATTENTION: Sous cette rubrique, on mentionne la quantité de pièces qu'il faut et **non** la quantité de pièces livrées lors de la commande. Nos pièces détachées se vendent à l'unité.

Description de la pièce:

Comporte les dimensions des vis, écrous, câbles etc. Des renseignements au sujet de carburateurs, électricité etc., des détails concernant des livres informatifs. Des renseignements au sujet de la pièce même: pièce d'origine, reproduction, pièce révisée etc.

D
Abbildungsnummer:

Ausnahmefall: Wenn ein Einzelteil keine Abbildungs-nummer hat, ist das, weil der Einzelteil in mehreren Fassungen besteht.

Beispiel: Linke - rechte Türfläche.

Nummer des Ersatzteils:

Ausnahmefall: Mangelt diese Nummer, dann ist dieser Einzelteil nicht mehr verfügbar oder wird er nicht mehr hergestellt.

Benötigte Menge:

Achtung! Unter diesem Titel wird die Menge der benötigten Einzelteile angegeben, sondern **nicht** die Menge der bei Bestellungen gelieferten Einzelteile. Unsere Einzelteile werden stückweise verkauft.

Beschreibung des Ersatzteils

Betrifft die Abmessungen der Schrauben, Mutter, Kabel, usw.; Auskünfte über Vergaser, Elektrizität, usw. Einzelheiten über Info-Bücher, Auskünfte über den Einzelteil selbst: Originaleinzelteil, Reproduction, überholter Einzelteil usw.

I
Numero illustrazione

Eccezioni: Un componente non ha un numero illustrazione perchè ci sono vari tipi del pezzo esistente.

P. es. Pannello porta destro e sinistro.

Numero componente

Eccezioni: Può succedere che non c'è un numero componente quando il pezzo non è più disponibile o quando non è più in produzione.

Quantità necessaria

AVVERTENZA: La quantità di pezzi necessari è data, e non la quantità di pezzi consegnati dopo ordinazioni. I nostri componenti vengono venduti al pezzo.

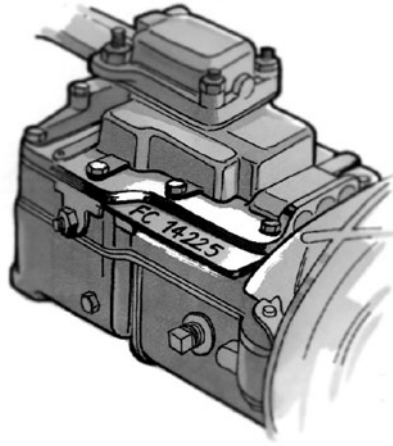
Descrizioni componenti

Con misure di vite, bulloni, cavi ecc. Informazioni su carburatori, elettricità ecc. dettagli su libri che danno ulteriore informazione. Informazioni sul componente stesso: originale, riproduzione, revisionato ecc.



Please note:

In order to reduce space in our application column, we will call the "Spitfire4", MKI. This is officially incorrect, but it will allow us to save space; the same goes for "Spitfire4 MKII", we will call this MKII.

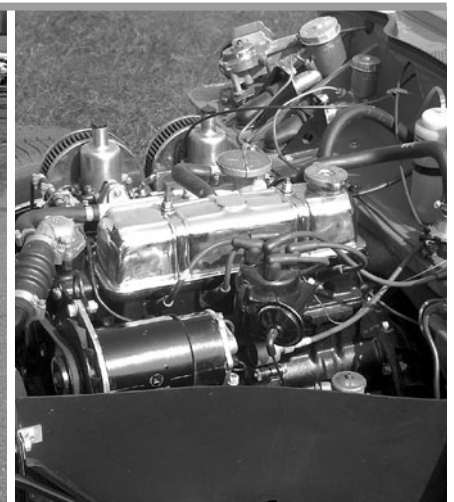


ENGINE		GEARBOX		REAR AXLE	
Prefix		Prefix		Prefix	
MKI	FC	MKI	FC	MKI	FC
MKII	FC	MKII	FC	MKII	FC
MKIII	FD	MKIII	FD	MKIII	FC
MKIV	FH	MKIV	FH	MKIV	FH
1500	FM	1500	FR	1500	FR



COMMISSION NUMBER

Type	Year		Commission number	
	from	to	from	to
MKI	Oct. '62-	Dec. '64	FC1	FC44656
MKII	Dec. '64-	Jan. '67	FC50001	FC88904
MKIII	Jan. '67-	Dec. '71	FD1	FD92803
MKIV	Dec. '71-	Dec. '74	FH3	FH64995
1500	Nov. '74-	Aug. '80	FH75001	TFADW5AT009898



Production dates and major changing points



Model	Chassis number	Dates
Spitfire4 (MKI)	FC1 to FC656	10/1962 - 12/1964
(MKII)	FC50001 to FC88904	12/1964 - 01/1967
(MKIII)	FD1 to FD15306	01/1967 - 12/1968
(MKIII)	FD20000 to FD51967	12/1968 - 10/1969
(MKIII)	FD75000 to FD92803	10/1969 - 12/1970
(MKIV)	FH3 to FH19461	12/1970 - 12/1971
(MKIV)	FH25001 to FH45740	01/1971 - 12/1972
(MKIV)	FH50001 to FH59689	01/1972 - 12/1973
(MKIV)	FH60001 to FH64995	01/1973 - 12/1974
1500	FH75001	11/1974 - 1975
1500	FH80000	01/1976
1500	FH100020	03/1977
1500	FH105734	01/1978
1500	FH130001	01/1979
1500	TFADW1AT000001	10/1979
1500	TFADW5AT009898	08/1980



1962-'64 Spitfire4 (MKI) 1147 cc
 1964-'67 Spitfire MKII 1147 cc



1967-'70 Spitfire MKIII 1296 cc



1970-'74 Spitfire4 (MKI) 1296 cc
 1974-'80 Spitfire 1500 1493 cc





A

AC Delco Distributor 46

Accelerator cable 40

Accelerator pedal 40

Adaptor, wire wheel 68, 132

Adjustable cam sprocket 123

Adjustable Triumph cap 142

Air filters 10, 38, 126

Air filter cleaner 38, 126

Air hose 38

Allgemeine Verkaufs- und Lieferbedingungen 163

Alternator 78

Aluminium rocker cover 18, 123

Ampmeter 136

Antenna 135

Anti-freeze 149

Anti-rattle kit gearbox 52

Anti-roll bar 70, 130

Arm rest 118

Ash tray 88, 90

Assembly lube 14, 123

Autoglym products 145

B

Badge bar 139

Badges 96, 98, 111, 139, 151

Ballast resistor 46

Base frame, seats 120, 121

Battery box, metal 97

Battery charger 144

Battery liner 78

Battery switch 78, 134, 144

Battery 78

Bearings, differential 64

Bearings, front suspension 70

Bearings & sets, main 14

Bearings & sets, rod 16

Belangerlijke informatie NL 159

Bending tool, pipes 155

Blankets 143

Blanking plug, chrome 137

Body panels 96, 97, 98, 100, 102

Bolting kits, bumpers 108, 110

Bolting kits, chassis 94

Bolting kits, exhaust 42, 44, 45, 131

Bolting kits, suspension 68, 70

Bolting kits, windscreen 106

Bonnet badge 98, 151

Bonnet strap 134

Bonnet MKI, II, III 98

Bonnet MKIV, 1500 100

Books 156

Boot badges 96

Boot floor 96

Boot hinges 102

Boot lining kit 118

Boot lamp 86

Boot lids 102

Boot lock 102

Boss, slave cylinder 48

Bottle, radiator overflow 26

Bottle, Tudor 80

Braided brake hoses 75, 130

Braided fuel hoses 127

Brake calipers 76

Brake discs 76, 130

Brake drums 76

Brake fluids 48, 76, 147

Brake hoses 74, 130

Brake hoses, braided 75, 130

Brake light switch 82

Brake pads 76, 130

Brake parts 74, 76, 130

Brake pedal 76

Brake pipes & set 74, 130

Brake pump, master 76

Brake servo 130

Breather hose 41

Brush set 78

Brush, horn contact 72, 82

Bulbs & kits 84, 85, 86, 144

B continued

Bumpers, MKI, II, III 108

Bumpers, MKIV, 1500 108

Bushes, suspension 68, 70, 129

C

Cable indicator set 46, 150

Cables, handbrake 74

Cables, tacho/speedo/choke 88, 92

Callipers, brakes 76

Cam follower 14

Cam shaft 14, 123

Cap, adjustable, Triumph 142

Cap, fuel 30, 140

Cap, radiator 26

Car covers 139

Car duster 145

Carburettors 32, 34, 36

Carburettor books 32, 157

Carburettor cleaner 32, 126

Carburettor parts 32, 34, 36

Carburettor parts SU HS2 34

Carburettors parts SU HS4 36

Carburettor rebuilding kits 32

Carburettor repair kits 32

Carburettor service kits 32

Carburettor sundries kits 32

Carburettor synchronizer 32, 126, 153

Carpet fasteners 122

Carpet set 118

Castrol cleaner 147

Castrol oils 10, 12, 149

Center lock wheels 68, 133

Centering tool, clutch 48, 154

Chamois 145

Chassis 94

Choke cable 88, 92

Cigar lighter 92

Circuit tester 154

Clamps, exhaust 131

Cleaner K&N 126

Cleaning brush 68, 132

Clock 136

Clutch 48

Clutch centering tool 48, 154

Clutch hydraulics 48

Clutch pipes 48

Clutch plate 48

Coil 10, 46, 125

Colortune gas analyzer 153

Condensor 10, 46

Connecting rods 16

Connolly hide care 145

Connectors, electronics 82

Contact set 10, 46

Control box 82

Conversion wax jet 36

Conversion hub, wire wheels 68, 132

Cooling, fans 24, 128

Cooling, oil 20, 125

Copper grease 68, 132, 147

Copper hammer 68, 132

Core plug 12, 18

Covers, cars 139

Covers, seats MKI, II, III 120

Covers, seats MKIV, 1500 120

121Crankshaft 14

Crossmembers, chassis 94

CSI electronic ignition 47, 124

Cylinder head 10, 18

D

'D' type overdrive 60

Damper oil 32, 126, 148

Dashboard MKI-II-III 88

Dashboard MKIV & 1500 90

Dash pots 32, 34, 36

Dash top cover 88, 90

Demister, heating 28

Desmo clamp 139

Differential 64

Dipper switch 82

D continued

Dip stick, oil 12

Direction indicator switch 88, 92

Disc, brake 76

Distributor & parts 10, 46, 124

Door check strap 104

Door fittings 104

Door glass 104

Door handle 104, 151

Door locks 104

Door panels 118

Door seal 118

Door skins 96

Door step 111, 137

Drip pan, oil 146

Drive flange 68

Drivers accessories 142, 143

Drive shaft assembly 66

Drive shaft 66

Důležitá informace CZ 166

Duplex timing gear 123

DVD original technical publications 158

Dynamo 78

E

Earth cable 78

Easy bleed kit 130, 155

Electronic ignition 46, 124

Electronics, wiring 82

Emission control 41

Engine bay board kit 27

Engine cooling 24, 128

Engine, most important parts 10

Engine mountings 10, 20

Engine parts 10, 12

Engine plate 12

Engine-power tuning parts 123-125

Exhaust gas analyzer 153

Exhaust manifolds 41, 42, 44, 131

Exhaust systems 42, 44, 45, 131

Exhaust valve 18

External panels 96

F

Facet fuel pump 127

Factory workshop manuals 156

Falcon exhaust systems 42, 44, 131

Fan belt 24

Fans & fan kits 24, 128

Fan controllers 128

Fan, heater system 28

Fastener kits 48, 122, 152

Fast road cam kit 123

Fertan rust killer 146

Filler cap, fuel 30, 140

Filler cap, oil 18

Filling, seats 120, 121

Filters, air 10, 38, 126

Filters, oil 10, 12, 18, 125

Finishing strips 111

Fire extinguisher 144

Firewall grommet kit 92

First aid kit 144

Fitting kits, bumpers 108, 110

Fitting kits, chassis 94

Fitting kit, exhausts 42, 44, 45, 131

Fitting kits, seats 120, 121

Fitting kits, suspension 68, 70

Fitting kits, windscreen 106

Flag, union Jack 141

Flasher kit 82, 144

Flasher unit 82

Float, carburetor 34, 36

Floor pan/panel 97

Floor rails, seat 120, 121

Flying helmets 142

Flywheel 14

Fog lamp switch 92

Fog lamp 86, 134

Frame, hood 114, 116

Frame, seat 120, 121

Frame, windscreen 106

F continued

Front bumper 108, 110

Front shock absorber 70, 130

Front spring 70

Front suspension 70

Front valance 98, 100

Front wing 98, 100

Fuel filler caps 30, 140

Fuel filter 127

Fuel gauge 88, 92, 136

Fuel hose, braided 127

Fuel pressure regulator 127

Fuel pump 30, 127

Fuel system improvements 127

Fuel tank 30

Fuses & fuse box 82, 144

G

Gaiter, gearbox 52

Gaiters, steering 72

Gasket cement 14, 18, 147

Gasket set, carburetors 32

Gasket set, cylinder head 10, 18

Gasket set, engine 10

Gasket set, gearbox 50

Gasket set, manifold 10, 22

Gear lever knob 50, 52, 137

Gearbox & parts 50 > 62

Gearbox cover 97

Gearbox kits 50

Gearbox mounting 10, 20

Gearbox oil 50, 58

Glazing rubber 106

Glove box 88, 90

Gloves 143

Glues 118, 146

Goggles 142

Grease pump 72, 149

Green stuff brake pads 76, 130

Grill MKI, II, III 98

Grill MKIV, 1500 100

Grommet kits 82, 88, 92

Grooved brake discs 130

Groose jet 32

H

H.T. lead set 10, 46

Hammer, copper 68, 132

Handbrake parts 74

Handbrake switch 82

Hard top 112, 113

Hazard switch 92

Hazard triangle 144

Hazard unit 82

Head gasket set 18

Head lamp switch 88, 92

Head lamps 84

Headlining kit 112, 113

Head rest 121

Heat reduction products 129

Heater fan 28

Heater installation 28

Heater matrix 28

Heater switch 88

Heater valve 28

Helmets, leather, flying 142

Hood cover MKI, II, III 114

Hood cover MKIV, 1500 116

Hood frame MKI, II, III 114

Hood frame MKIV, 1500 116

Hood MKI, II, III 114

Hood MKIV, 1500 116

Horns 82

Horn push 72

Hoses, fuel 30, 127

Hoses, heater installation 28

Hoses, radiator 26

Hoses, manifold to waterpump 22

Hydra blade 145

Hydraulics, Clutch 48

Hub cap 68, 133

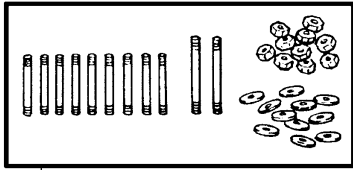
Hubs, wheels 68, 70



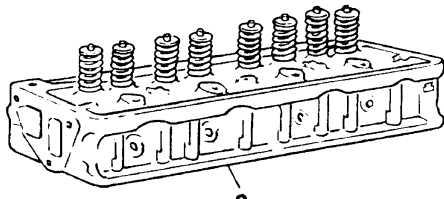
- I**
- Identification plates 150
 - Ignition coil 10, 46, 125
 - Ignition switch 88
 - Ignition, electronic 46, 124
 - Ignition systems 46, 124
 - Important information 1, 159-168
 - Indicator lamps 84, 85
 - Indicator switch 88, 92
 - Información importante ES 165
 - Information importantes F 160
 - Informazione importante I 161
 - Inlet manifolds 22
 - Inlet valve 18
 - Instruments 88, 92, 136
 - Insulation felt 118, 122
 - Insulation, heat 129
 - Insulators, electronics 82
 - Interior mirror 106
 - Internal panels, body 97
- J**
- Jack 68
 - Jet, carburettors 32, 34, 36
 - Jet, windscreen washer installation 80
 - 'J'-type overdrive 62
- K**
- K&N air filters 10, 38, 126
 - Kenlowe fan kit 128
 - Key fobs 141
 - Kit anti-rattle gearbox 52
- L**
- Labels 150
 - Lamps 84, 85, 86
 - Lay shaft 54, 58
 - Lead set 10, 46
 - Lead substitute, petrol 10, 46
 - Leather care 145
 - Leather steering wheel 72, 135
 - Letterset 96, 98, 111, 139, 151
 - Leyland badge 111
 - Lighting 84, 85, 86, 134, 15, 144
 - Light, map reading 86, 92, 135
 - Lighting switch 88, 92
 - Lock set 98, 100, 102, 104
 - Loctite products 147
 - Lubricants 10, 12, 148, 149
 - Lucas distributor 46, 124
 - Lucas sticker 46, 150
 - Luggage racks 102, 138
 - Lumenition electronic ignition 46, 124
 - Luster lace 132, 145
- M**
- Main bearings & sets 14
 - Main shaft 54, 58
 - Magnetic drain plug 125
 - Magnetronic ignition 124
 - Manifolds, exhaust 41, 42, 44, 131
 - Manifolds, inlet 22
 - Map reading lights 86, 92, 135
 - Master cylinder, clutch 48
 - Master brake pump 76
 - Matrix, heater 28
 - Metal polish 132, 137, 145
 - Midlock synchronizer 153
 - Mirrors 160, 140
 - Moto-Lita steering wheel 72, 135
 - Motor, fan 28
 - Mud flaps 146
- N**
- Nameplate 111
 - NGK spark plugs 10, 46, 125
 - Number plate lamps 86
 - Number plate holder 108, 137
- O**
- Oil 10, 12, 148, 149
 - Oil, carburettors 32, 126, 148
- O continued**
- Oil cooler installation 20, 125
 - Oil drip pan 146
 - Oil filters & kits 10, 12, 20, 125
 - Oil filter remover 154
 - Oil pourer 148, 149
 - Oil pressure gauge 136
 - Oil plug 12
 - Oil pump 14
 - Oil sump 12
 - Oil seal 10, 12
 - Oil temperature gauge 136
 - Optronic ignition 124
 - Outer sill 96
 - Overdrive 50, 60, 62
 - Overdrive 'D' type 50, 60
 - Overdrive 'J' type 50, 62
 - Overrider 108, 110
 - Owner handbooks 156
- P**
- Panel kits 118
 - Panel skins 96
 - Panel screws 118, 152
 - Parts catalogues 156
 - Patch, Castrol 149
 - Patches 141
 - Pedal rubber 48
 - Penrite oils 10, 12, 148
 - Picnic blanket 143
 - Pinion, speedo 56
 - Pins, decorative 141
 - Pipe bending tool 155
 - Pipes, clutch 48
 - Pipes, fuel 30
 - Piston liner 16
 - Piston ring compressor 154
 - Piston ring sets 16
 - Piston sets 16
 - Plates, identification 150
 - Polishing cloths 133, 137, 145
 - Polyurethane susp. Bushes 129
 - Practical accessories 144
 - Press stud fasteners 122
 - Propshaft 64
 - Pulley, rear flange 66
 - Pulley, water pump 24
 - Pump, washer 80
 - Punch and bed kit 114, 122, 154
 - Push rod 14
- R**
- 'RAC' badge 139
 - Racing mirror 140
 - Radiator 26, 128
 - Radius arm 68
 - Reading light, map 86, 92, 135
 - Rear bumper 108, 110
 - Rear lamps 85
 - Rear shock absorber 68, 130
 - Rear spring 68, 130
 - Rear suspension 68
 - Rear valance 96
 - Rear windscreen, hard-top 112, 113
 - Rear wing 96
 - Relays 82
 - Release bearing 48
 - Renovo soft top products 145
 - Repair kit, carburettors 32
 - Repair kit, brakes 76
 - Restoration manuals 157
 - Reverse lamp 85, 134
 - Reverse light switch 82
 - Revolution counter cable 88, 92
 - Revolving punch pliers 116, 154
 - Revotec cooling fans & controllers 128
 - Rims, wheels 68, 133
 - Ring gear 14
 - Rocker covers & parts 18, 123
 - Rocker feed kit 18, 125
 - Rocker shaft parts 18
 - Rod bearing set 16
- R continued**
- Rotor 10, 46
 - Rubber, glazing 106
 - Rubber grease 48, 76, 147
 - Rubber mats 119
 - Rust proofing & treatment 146
- S**
- Safety belts 134
 - Safety parts 134
 - Scarves 143
 - Screw kits 120, 121, 152
 - Screwdriver 155
 - Seals, boot 102
 - Seals, bonnet 98, 100
 - Seals, hard-top 112, 113
 - Seals, glass & windscreen 104, 106
 - Seat covers MKI, II, III 120
 - Seat covers MKIV, 1500 120
 - Seat filling kits MKI, II, III 120
 - Seat foam kits MKIV, 1500 121
 - Seat frame 120, 121
 - Sender unit, fuel tank 30
 - Servo, brake 130
 - Shaft, main 54, 58
 - Shock absorbers, front 70, 130
 - Shock absorbers, rear 68, 130
 - Side lamps 84
 - Silicon brake fluid 48, 76, 147
 - Silicone spray 68, 133, 147
 - Sill 96
 - Slave cylinder 48
 - Soft top MKI, II, III 114
 - Soft top MKIV, 1500 116
 - Soft top products 145
 - Solenoid, overdrive 60, 62
 - Spanner sets 155
 - Spare wheel cover 118
 - Spark plug spanner 154
 - Spark plugs 10, 46, 125
 - Speedo cable 88, 92
 - Speedometer 88, 92
 - Spinners 68, 132
 - Spinner remover 68, 132
 - Spoke spanner tool 68, 132, 155
 - Spokes, wire wheels 68
 - Sport coil 125
 - Sport silencer system 131
 - Spotwell mills 154
 - Spring compressor 70
 - Spring, front suspension 70
 - Spring, rear suspension 68
 - Starter cables 144
 - Starter motor 78, 124
 - Starter solenoid 78
 - Steering lock 72
 - Steering 72
 - Steering wheels 72, 135
 - Stickers 141, 150
 - Studs, cylinder head 10, 12
 - Stone guards 84, 134
 - SU books 32, 157
 - SU tools 32, 153
 - Sump, oil 12
 - Sun visors 106
 - Suspension bushes 68, 70, 129
 - Suspension front 70
 - Suspension rear 68
 - Switches 82, 88, 92, 134, 136
 - Switch, oil pressure 12
 - Switch, reverse light 82
- S continued**
- Synchro ring 54, 58
 - Synchroniser, carburettor 32, 126, 153
- T**
- Tacho cable 88, 92
 - Tail pipe finisher 137
 - Tap & die set 155
 - Tärkeä tietoa 168
 - Temperature sensor 24
 - Tensioner chain 14
- T continued**
- Thermostat 10, 24
 - Threshold plates 137
 - Tightening torques 16
 - Timing chain 14
 - Timing cover 14
 - Timing disc 123
 - Tonneau cover 114, 116
 - Tools 153, 154, 155
 - Trimming, windscreen 106
 - Triumph badges 139
 - Triumph books 156, 157, 158
 - Triumph, letterset 96, 98, 111, 139, 151
 - Trunion, front suspension 70
 - Tudor, washer kit installation 80
 - Tubing set, washer-wiper installation 80
 - Tyre paint 133
 - Tyre pressure gauge 133
 - Tyre pump 144
- U**
- UNF screw kits 152
 - Union jack products 141
 - Unions, fuel pump 127
 - Universal badge bar 139
 - Universal joint 66
 - Universal luggage racks 103, 138
- V**
- Vacuum unit 46
 - Valance boards engine 27
 - Valance, front 98, 100
 - Valance, rear 96
 - Valve caps 133
 - Valve pressure differential 74
 - Valvemaster plus 127
 - Viktig informationen SE 164
 - Visco coupling 24
 - Vizibleed bleeder 130, 155
 - Voltage stabilizer 82, 88, 92
 - Voltmeter 136
 - VSP plus 127
- W**
- Walnut gear knob 137
 - Walnut veneer dashboard 88, 90
 - Warning lights 134
 - Washer bottle 80
 - Washer pump 80
 - Water temp gauge 88, 92, 136
 - Water weller 128, 147
 - Water pump 24
 - Waxoyl rustproofing 146
 - Ważne informacje 167
 - Wet protect 146
 - Wheel arch 96, 97
 - Wheel box wipers 80
 - Wheel cleaner 68, 133, 145
 - Wheel cylinder 76
 - Wheel rim set 68, 133
 - Wheels 68, 133
 - Wichtige Auskünfte D 162
 - Wind deflector 138
 - Windo glass, side 104
 - Window glass, front 106
 - Windscreen washer switch 92
 - Windscreen wiper installation 80
 - Windscreen 106
 - Wiper arm & blade 80
 - Wiper motor 80
 - Wiper switch 88, 92
 - Wire wheel brush 68, 132
 - Wire wheel conversion 132
 - Wire wheels 68, 133
 - Wiring loom 82
 - Wishbone, front suspension 70
 - Wooden wheel wrench 132
 - Wooden steering wheel 72, 135
 - Workshop manuals 156



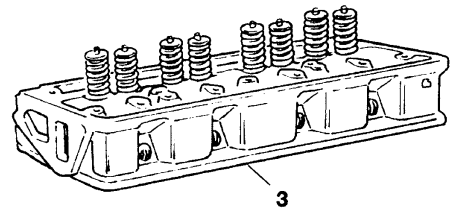
Engine most important parts



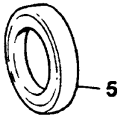
4



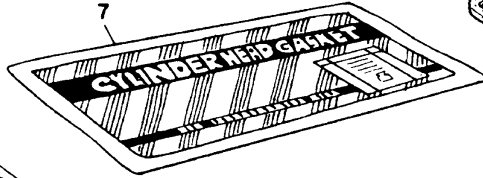
2



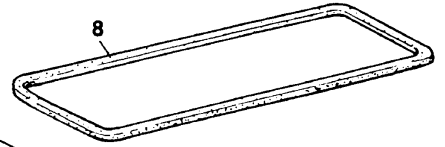
3



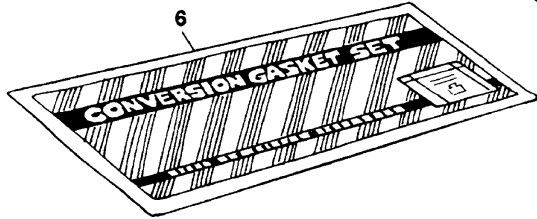
5



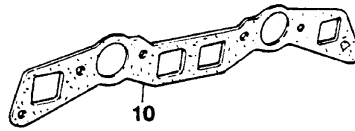
7



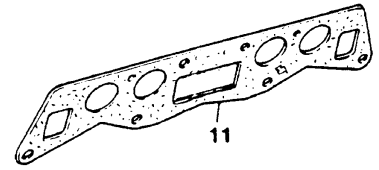
8



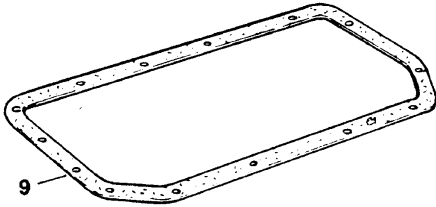
6



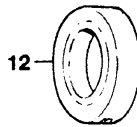
10



11



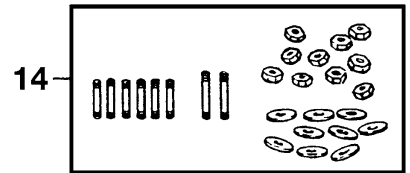
9



12



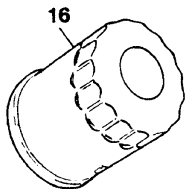
13



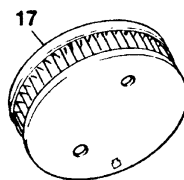
14



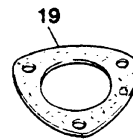
15



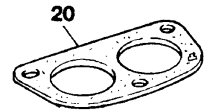
16



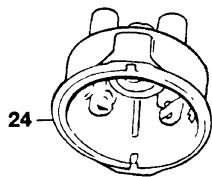
17



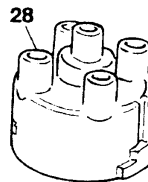
19



20



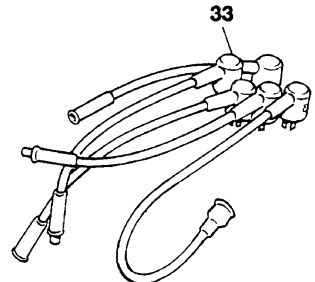
24



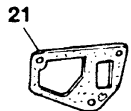
28



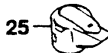
32



33



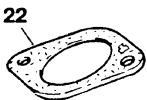
21



25



29



22



26



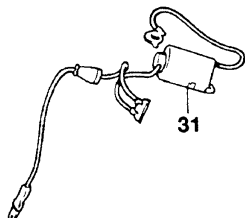
30



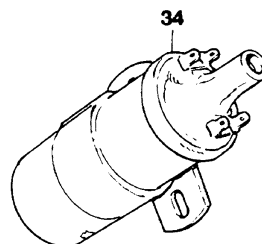
23



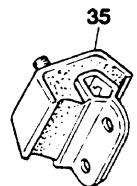
27



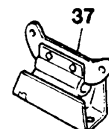
31



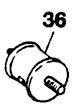
34



35



37

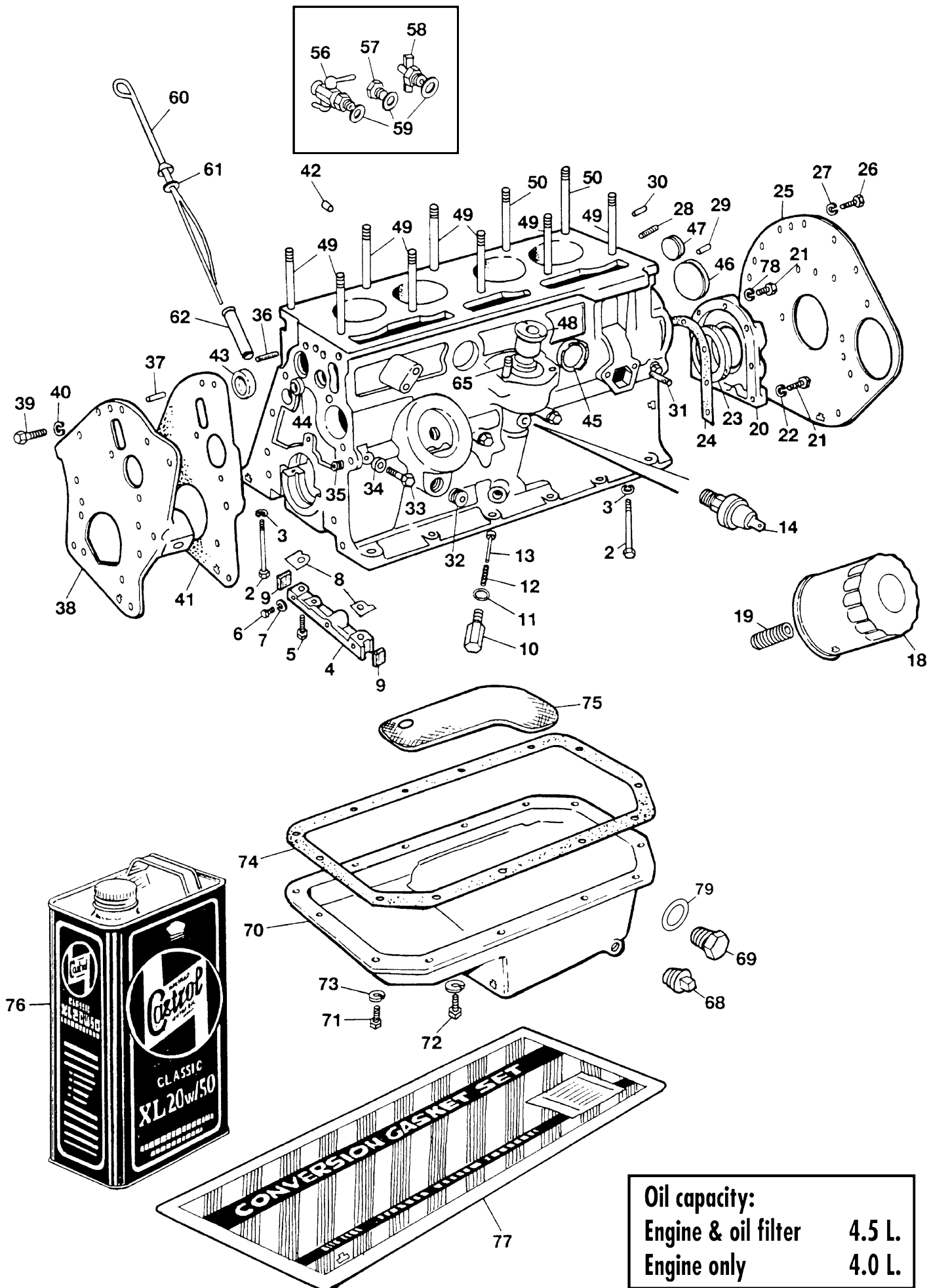


36



ILL N°	PART N°	QTY	DESCRIPTION	APPLICATION
2	012.440	1	Cylinder head	MKI, II
	012.475	1	Cylinder head, stage 2	MKI, II
3	012.067	1	Cylinder head	MKIII
	012.068	1	Cylinder head	MKIV
	012.069	1	Cylinder head	1500
	012.441	1	Cylinder head	1500 USA
	012.476	1	Cylinder head, stage 2	MKIII, IV
	012.477	1	Cylinder head, stage 2	1500
	4			Hardware: cylinder head to block
	167.111	9	Stud	MKI, II
	167.077	2	Stud	MKI, II
	163.005	11	Washer, plain	MKI, II
	161.287	11	Nut	MKI, II
	167.111	8	Stud	MKIII, IV, 1500
	167.077	2	Stud	MKIII, IV, 1500
	163.005	10	Washer, plain	MKIII, IV, 1500
	161.287	10	Nut	MKIII, IV, 1500
			Hardware: rocker shaft to cylinder head	
	167.020	2	Stud	
	167.169	2	Stud	
	167.071	2	Stud	
	163.005	4	Washer, plain	
	161.026	4	Nut	
5	016.086	1	Oil seal	MKI, II, III
	016.087	1	Oil seal	MKIV, 1500
6	016.066	1	Gasket set, engine block	MKI, II, III
	016.068	1	Gasket set, engine block	MKIV, 1500
7	016.225	1	Gasket set, cylinder head	MKI, II
	016.067	1	Gasket set, cylinder head	MKIII, IV (flat)
	016.069	1	Gasket set, cylinder head	1500 (recessed)
8	016.074	1	Rocker cover gasket, cork	
9	016.070	1	Gasket, oil pan	
10	016.314	1	Gasket, manifold	MKI, II
11	016.076	1	Gasket, manifold	MKIII, IV
	016.078	1	Gasket, manifold	1500
12	016.088	1	Oil seal, rear	
13	011.124	1	Spigot bearing	
14			Hardware: manifolds to cylinder head	
	167.073	2	Stud	MKI, II
	167.074	4	Stud	MKI, II
	164.006	6	Washer, spring	MKI, II
	161.406	6	Nut	MKI, II
	167.073	2	Stud	MKIII, IV, 1500
	167.074	6	Stud	MKIII, IV, 1500
	164.006	8	Washer, spring	MKIII, IV, 1500
	161.406	8	Nut	MKIII, IV, 1500

ILL N°	PART N°	QTY	DESCRIPTION	APPLICATION
15	300.501	1	5 L. Penrite classic 20W60 engine oil	Engine capacity = 4 L.
	300.522	1	1 Gallon Castrol Classic engine oil (4.5L)	Engine capacity = 4 L.
	300.112	1	1 L. Gearbox oil, Penrite	0.85L for standard
	300.112	2	1 L. Gearbox oil, Penrite	1.35L for O/D version
	300.118	1	1 L. Differential oil	0.57 L. capacity
16	011.078	1	Oil filter	
17	101.083	2	Air filter, 1.1/4 dia	MKI, II, III, IV
	101.084	2	Air filter, 1.1/2 dia	1500
19	016.362	1	Gasket, exhaust	MKI
	016.084	1	Gasket, exhaust	MKIII, IV
20	016.085	1	Gasket, exhaust	1500
21	016.083	1	Gasket, water pump	
22	016.089	1	Gasket, thermostat	
23	012.057	1	Thermostat 82 °C	normal
	012.085	1	Thermostat 88 °C	winter
	012.013	1	Thermostat 74 °C	hot summer
24	081.085	1	Distributor cap, AC DELCO	MKI, II, III, IV
25	081.083	1	Rotor for AC DELCO	MKI, II, III, IV
26	081.081	1	Contact set for AC DELCO	MKI, II, III, IV
27	081.087	1	Condensator for AC DELCO	MKI, II, III, IV
28	081.086	1	Distributor cap for LUCAS	1500 45D type
29	081.084	1	Rotor arm for LUCAS	1500 45D type
30	081.082	1	Contact set for LUCAS	1500 45D type
31	081.088	1	Condensator for LUCAS	1500 45D type
32	012.087	4	Spark plug	MKI, II
	012.058	4	Spark plug	MKIII, IV
	012.088	4	Spark plug	1500
33	081.079	1	H.T. Lead set, push-in	1962-'74
	081.080	1	H.T. Lead set	1500
34	081.001	1	Coil, push-in type	1962-'74
	081.235	1	Coil, ballast fitted	1975-'80
35	011.125	2	Engine mounting	
36	027.065	2	Gearbox mounting	
37	027.066	1	Overdrive mounting	



Oil capacity:	
Engine & oil filter	4.5 L.
Engine only	4.0 L.



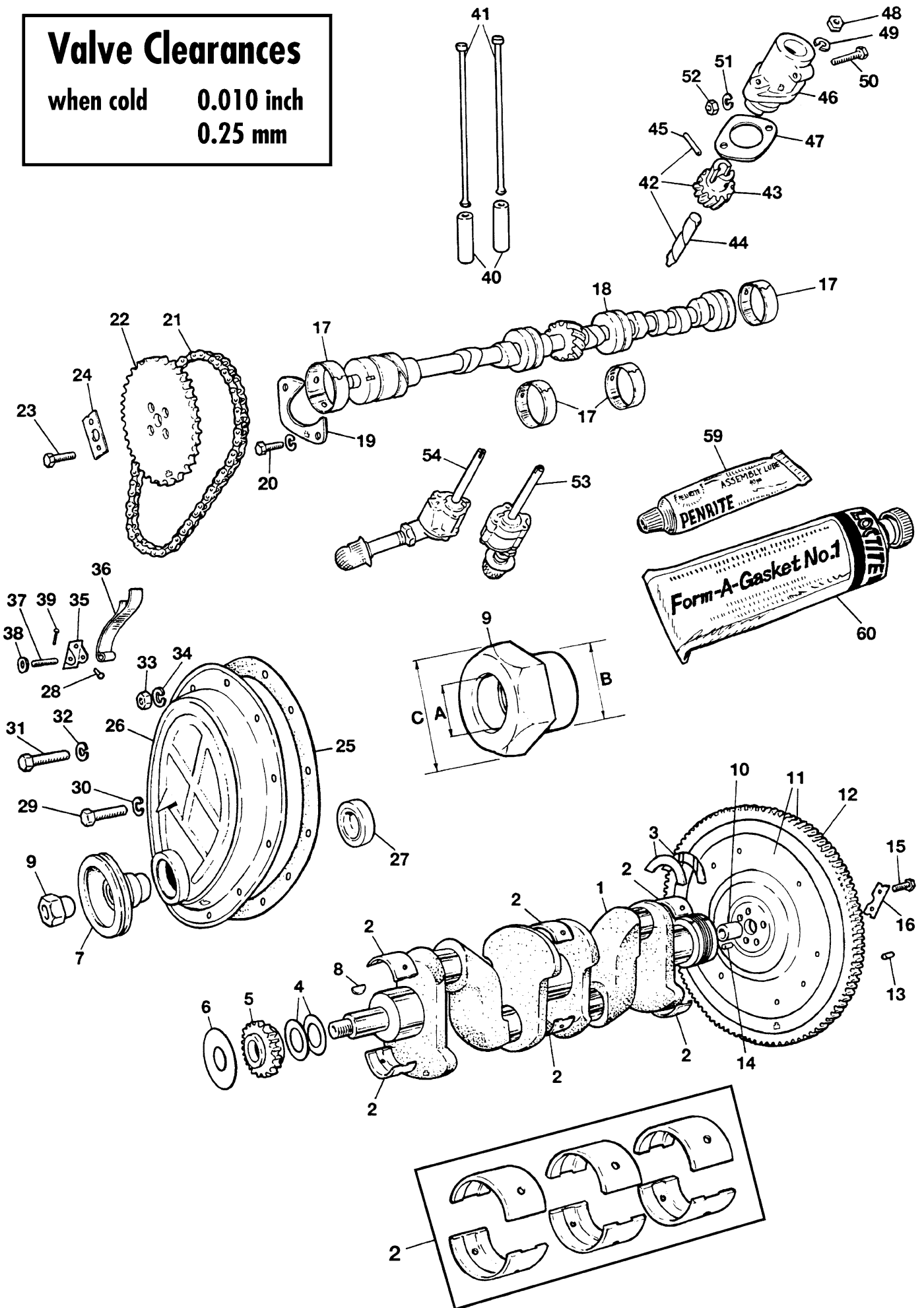
76

ILL N°	PART N°	QTY	DESCRIPTION	APPLICATION
2	162.606	6	Bolt, Bearing cap	
3	164.021	6	Washer, spring	
4	011.440	1	Sealing block, front	MKI, II, III
	011.328	1	Sealing block, front	MKIV, 1500
5	162.743	2	Screw, bottom side	
6	162.744	2	Screw, front side	MKIV, 1500
7	164.002	2	Washer, spring	MKIV, 1500
8	016.320	2	Filler piece, top	MKIV, 1500
9	016.317	2	Filler piece, side	
10	011.455	1	Plug, oil press.valve	
11	168.021	1	Washer	
12	013.073	1	Spring, relief valve	
13	013.072	1	Piston, relief valve	
14	013.074	1	Switch, oil pressure	With single terminal
18	011.078	1	Oil filter & seal	
19	011.458	1	Adaptor, oil filter	
20	011.443	1	Cover plate, rear	MKI, II
	011.444	1	Cover plate, rear	MKIII, IV
	011.445	1	Cover plate, rear	1500
21	162.520	7	Bolt, cover plate	MKI, II, III
	162.577	7	Screw, cover plate	MKIV, 1500
22	164.002	6	Washer, spring	
23	016.088	1	OIL SEAL rear	NOT MKI, II
24	016.079	1	Gasket	all
25	011.448	1	Engine plate, rear	
26	162.005	7	Screw	
27	164.002	7	Washer, spring	
28	167.011	3	Stud, gearbox to block	
29	011.463	1	Dowel	
30	011.461	1	Dowel	MKIV, 1500
31	167.116	2	Stud, petrol pump, 34mm	MK1 ->1500 to FM93157
	167.011	2	Stud, petrol pump and spacer, 44mm long	1500 FM93157->
32	011.429	1	Core plug, screwed	
33	162.005	4	Screw, plug	
34	168.028	4	Washer, sealing	
35	011.430	2	Plug, oil gallery, screw	
36	167.116	1	Stud	
37	172.285	2	Dowel	
38	011.446	1	Engine plate, front	MKI, II to FC61022
	011.447	1	Engine plate, front	MKII, III to FD/FE38088E
	011.419	1	Engine plate, front	MKIII, IV, 1500 from engine FD/FE38089E
39	162.005	1	Screw	
40	164.002	3	Washer, spring	
41	016.318	1	Gasket, front plate	MKI, II to FC61022
	016.319	1	Gasket, front plate	MKII, III to FD/FE38088E
	016.072	1	Gasket, front plate. Can also be used as an alternative for 016.318/9	MKIII, IV, 1500

ILL N°	PART N°	QTY	DESCRIPTION	APPLICATION
42	011.460	1	Dowel	
43	011.431	4	Core plug, front & side, 1.1/2" dish type	MKI, II, III
	011.432	1	Core plug, front face, 1.1/4" dish type	From FC61023
	011.219	4	Core plug, front & side, 1.1/2" cup type	MKIV, 1500
44	011.221	1	Core plug, front, 1" cup type	MKII, III, IV, 1500
45	011.433	3	Core plug, rear, 1.1/4" dish type	MKI, II, III
	011.220	3	Core plug, rear, 1.1/4" cup type	MKIV, 1500
46	011.418	1	Core plug, camshaft, 2" dish type	MKI, II, III
	011.222	1	Core plug, camshaft, 2" cup type	MKIV, 1500
47	011.220	1	Core plug 1.1/4" cup	1500
48	011.435	1	Bush, oil pump drive	
49	167.111	9	Stud, cylinderhead	MKI
	167.111	8	Stud, cylinderhead	MKII, III, IV, 1500
	167.077	8	Stud, cylinderhead	1500 Low compression
50	167.077	2	Stud at lifting eye	MKI, II, III, IV, 1500
	167.118	2	Stud at lifting eye	1500 Low compression
56	061.149	1	Tap, water drain	MKI, II from FC628446E
57	011.438	1	Plug, water drain	MKI, II to FC628445E
58	011.439	1	Tap, water drain	MKIII, IV, 1500
59	168.008	1	Washer, fibre	
60	011.453	1	Dipstick	
61	168.114	1	Washer, felt	
62	011.393	1	Tube, dipstick	
65	167.116	2	Stud	
68	023.276	1	Oil plug	MKIII, IV, 1500 ALT
69	011.341	1	Oil plug	MKI, II, III, IV
	011.357	1	Oil plug	1500
	023.275	1	Magnetic oil drain plug	
70	011.449	1	Oil sump	To eng. FC39408E
	011.450	1	Oil sump	From eng. FC39409E
	011.451	1	Oil sump	1500
71	162.045	11/12	Screw	
	162.020	1	Screw	MKI, II to FC50000E
72	162.045	4/5	Screw	MKI, II, III, IV
	162.005	4	Screw	1500
73	164.002	5	Washer, lock	MKI, II to FC50000E
	164.002	4	Washer, lock	MKIII
	164.002	4	Washer, lock	from FC50000E to 1500
	163.119	16	Washer, lock	1500
	163.119	1	Washer, plain	MKI, II to FC50000E, MKIII
	163.119	2	Washer, plain	MKI, II from 50001
74	016.070	1	Gasket, oil sump	
75	011.428	1	Gauze, oil strainer	MKI, II
76	300.522	1	1 Gallon Castrol Classic engine oil (4.5L)	Engine capacity = 4 L.
	300.501	1	5 L. Penrite classic 20W60 engine oil	Engine capacity = 4 L.
77	016.066	1	Engine block gasket set	MKI, II, III
	016.068	1	Engine block gasket set	MKIV, 1500
78	168.028	1	Washer, copper	
79	168.039	1	Washer, copper	



Valve Clearances
 when cold **0.010 inch**
 0.25 mm





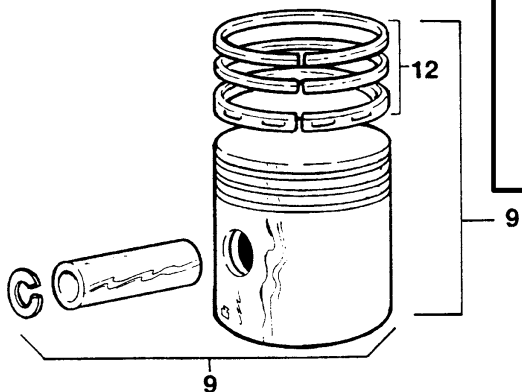
ILL N°	PART N°	QTY	DESCRIPTION	APPLICATION	
1	RECONDITIONED CRANKSHAFT				
	Our reconditioned crankshaft are nitride hardened and come with main bearings, rod bearings and two sizes of thrust washers to give you the choice according to the condition of your engineblock. NOTE! Thrust washer wear out quickly if you do not use the correct clutch cover. Also do not keep the clutch released too long. At traffic lights, move the gear lever in neutral.				
		PART N°	REAR SEAL?	NOSE DIA. - FLYWHEEL BOLT	APPLICATION
		013.336	NO	3/4, 19 mm - 3/8", 9.5 mm	early MKI
		013.337	NO	3/4, 19 mm - 3/8", 9.5 mm	MKI, II
		013.338	YES	3/4, 19 mm - 3/8", 9.5 mm	MKII, III
		013.393	YES	1", 25.4 mm - 3/8", 9.5 mm	MKIV (1300)
		013.339	YES	1", 25.4 mm - 7/16", 11 mm	MKIV (1300)
		013.340	YES	1", 25.4 mm - 7/16", 11 mm	1500 FM12624 ON
	2	015.029	1	Main bearing set, STD	MKI, II, III, (50,82)
015.030		1	Main bearing set, +.010"	MKI, II, III	
015.031		1	Main bearing set, +.020"	MKI, II, III	
015.032		1	Main bearing set, +.030"	MKI, II, III	
015.033		1	Main bearing set, +.040"	MKI, II, III	
015.068		1	Main bearing set, +.060"	MKI, II, III	
015.039		1	Main bearing set, STD	MKIV & 1500, (58,70)	
015.040		1	Main bearing set, +.010"	MKIV & 1500	
015.041		1	Main bearing set, +.020"	MKIV & 1500	
015.042		1	Main bearing set, +.030"	MKIV & 1500	
015.043		1	Main bearing set, +.040"	MKIV & 1500	
015.069		1	Main bearing set, +.060"	MKIV & 1500	
3		013.065	1	Thrust washer set, STD	MKI, II, III
		013.066	1	Thrust washer set, +.0025"	MKI, II, III
		013.067	1	Thrust washer set, +.0050"	MKI, II, III
		013.068	1	Thrust washer set, +.0100"	MKI, II, III
	013.069	1	Thrust washer set, STD	MKIV & 1500	
	013.071	1	Thrust washer set, +.005"	MKIV & 1500	
	013.397	1	Thrust washer set, +.015"	MKIV & 1500	
	013.398	1	Thrust washer set, +.030"	MKIV & 1500	
	4	013.384	A/R	Shim .004"	MKI, II, III
		013.061	A/R	Shim .006"	MKI, II, III
013.064		A/R	Shim .004"	MKIV & 1500	
013.063		A/R	Shim .006"	MKIV & 1500	
5	013.057	1	Gear, crankshaft 1" ID	MKI, II, III	
	013.058	1	Gear, crankshaft 1.3/8" ID	MKIV & 1500	
6	013.059	1	Oil thrower 1" ID	MKI, II, III	
	013.060	1	Oil thrower 1.3/8" ID	MKIV & 1500	
7	011.422	1	Pulley ID 1.5/8" seal	MKI, II, III	
	011.420	1	Pulley ID 1.3/8", 2" seal	MKIV & 1500	
8	172.389	1	Key		
9	011.412	1	Nut, A=3/4", B=1.3/32" C=tool size 1.1/2", Socket = #200.595	MKI, II, III	
	011.398	1	Nut, A= 1", B=1.7/16" C=tool size 1.13/16", Socket = #200.600	MKIV & 1500	
10	011.124	1	Spigot bearing bush		
11	011.535	1	Flywheel, use 3/8" bolts	MKI	
	011.536	1	Flywheel, use 3/8" bolts	MKII, III, IV	
	011.141	1	Flywheel	1500	
12	011.086	1	Ring gear		
	172.487	3	Dowel, flywheel, 1/4"	MKI, II, III, IV	
13	172.488	3	Dowel, flywheel, 3/16"	1500	
14	011.375	1	Dowel, crankshaft 3/8"		
15	162.795	4	Bolt, flywheel to crank, 3/8" UNF	MKI, II, III, IV	
	162.439	4	Bolt, flywheel to crank, 7/16" UNF	1500	
16	174.057	2	Lock plate	early MKI only	

ILL N°	PART N°	QTY	DESCRIPTION	APPLICATION
17	015.219	1	Camshaft bearing	to MKIV FH25000E
18	013.385	1	Camshaft, standard	MKI to FC38627E
	013.282	1	Camshaft, standard	MKI from FC38628E
	013.341	1	Camshaft, standard	MKII, III, IV to FH25000E
	013.162	1	Camshaft, STD to be used without camshaft bearings	MKIV, 1500 from FH25001E
	013.395	1	Camshaft, Fast Road MKI-4 lift.390°, 290° degrees	use with camshaft bearings, Power band 2000-6500 RPM
	013.374	1	Camshaft, Fast Road 1500 lift. 390°, 290° degrees	use without cam. bearings, Power band 2000-6500 RPM
19	013.383	1	Thrust plates, camshaft 1500	
20	162.022	2	Screw	
	164.002	2	Washer, spring	
21	013.056	1	Timing chain	
22	013.055	1	Gear, camshaft	
23	162.842	2	Screw	
24	013.054	1	Lock plate	
25	016.071	1	Gasket, timing cover	
26	011.537	1	Timing cover	MKI, II, III
	011.538	1	Timing cover, single mark	MKIV, 1500
	011.533	1	Timing cover, multi mark	MKIV, 1500
27	016.086	1	Oil seal, front	MKI, II, III
	016.087	1	Oil seal, front	MKIV, 1500
28	172.484	2	Rivet	
29	162.846	5	Screw	
30	164.002	5	Washer, spring	
31	162.022	6	Screw	
32	164.002	6	Washer, spring	
33	161.002	1	Nut	
34	164.002	1	Washer, spring	
35	013.052	1	Plate, anchor	
36	013.053	1	Tensioner	
37	013.051	1	Pin, tensioner	
38	163.093	2	Washer	
39	172.315	2	Pin, locking	
40	012.381	8	Cam follower, small dia.	MKI, II to FC61022E
	013.156	8	Cam follower	all from FC61023E
41	013.390	8	Push rod, low comp.	MKI, II
	013.391	8	Push rod, high comp.	MKI, II, III, IV
	013.318	8	Push rod	1500
42	013.388	1	Drive set, oil pump+ distr.	
43	081.372	1	Gear, drive	
44	081.373	1	Shaft	
45	172.491	1	Pin, drive locking	
46	013.389	1	Pedastal	
47	016.293	A/R	Shim .006	
	016.294	A/R	Shim .020	
48	161.002	2	Nut	
49	164.002	2	Washer, spring	
50	162.088	1	Bolt	
51	164.002	1	Washer, spring	
52	161.002	1	Nut	
53	013.158	1	Oil pump assembly	MKI, II, III, IV & 1500 TO FM59898E
54	013.159	1	Oil pump assembly	1500 from FM59899E
59	330.060	1	Assembly lube, put this on camfollowers, bearings and all other moving parts. Assembly lube provides highest protection possible in the vital first seconds of starting a newly rebuild engine when most wear occurs.	
60	016.269	1	FORM - A - GASKET N1 200 ml gasket cement. Use this on both sides of a gasket, or directly to the surface.	

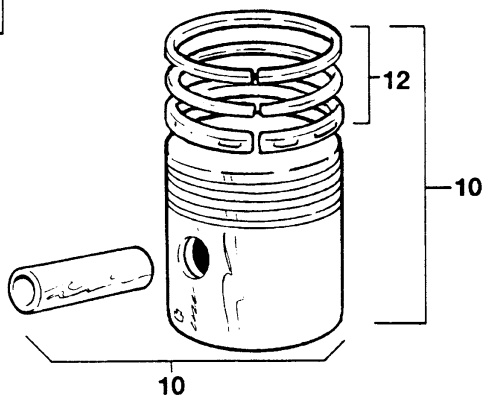


Tightening torques	1150 - 1300 cc	1500 cc
Main bearing caps	6.8 Kgm.	8.8 Kgm.
Connecting rod bolts	5.5	6.3 colour dyed 6.8 phosphated
Cylinder head nuts	6.1	6.3
Rocker pedestal	3.4	4.4
Clutch to flywheel	2.7	3.0

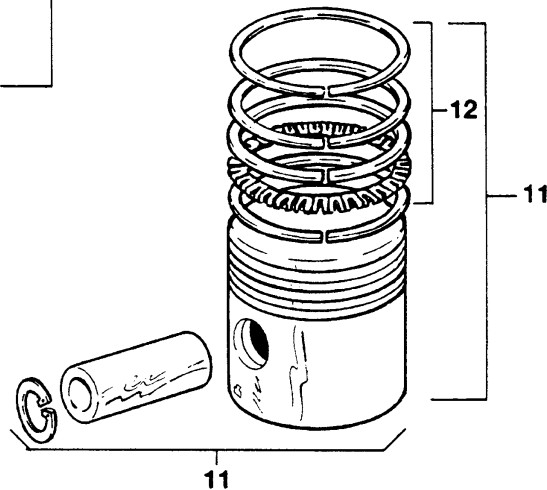
Circlip type



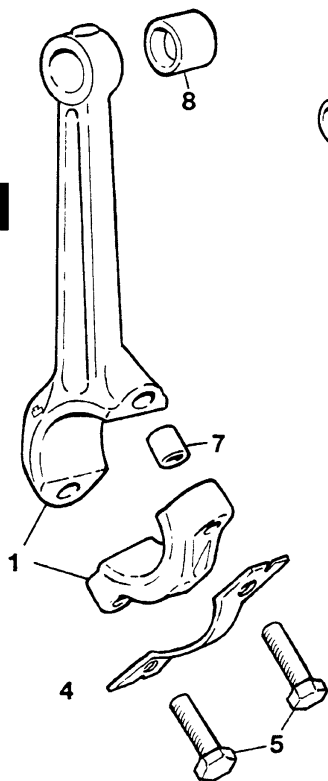
Press fit



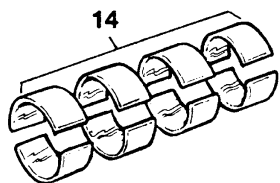
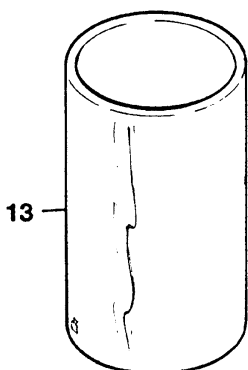
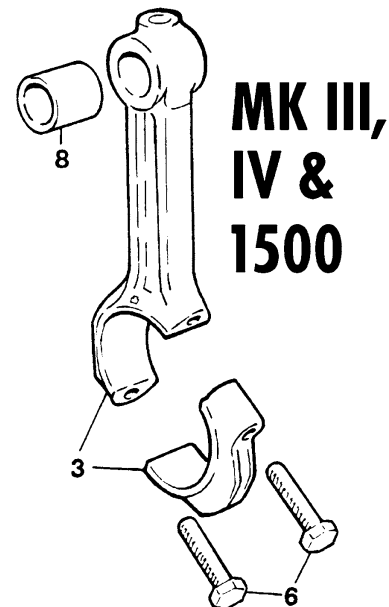
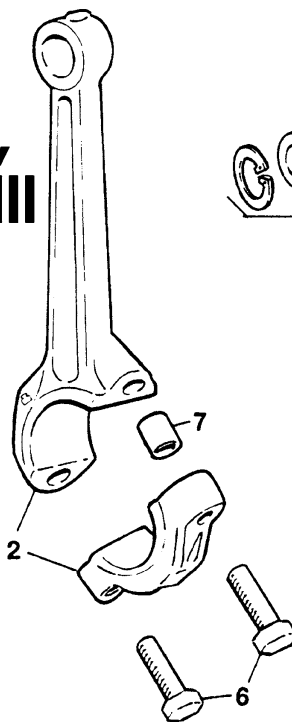
Circlip type



MK I



MK I, II & III





Info: Cylinder reboring a piston oversize

Due to the large number of different manufacturers of pistons, the specification of original bore size and oversize can not be guaranteed on replacement piston sets. To select the piston size required, measure the cylinder block to determine the oversize required. The cylinder block should not be rebored until the replacement piston set has been received and checked.

Measure ALL pistons, note the largest size and bore at +0,001", finish then between piston size +0,002" minimum and 0,003" maximum. Check if there is sufficient clearance between piston and combustion chamber.

Other most important points to follow when rebuilding your engine

Work clean and use the workshop manual.

Clean all components, especially new ones and check measurements.

Recheck the work from your machine shop or engine reconditioner. Make notes of the dimensions and clearances, you may need them later on.

Clearances to check: Thrust washers, piston ring and groove, ring and gap, piston to valve interference, valve spring binding & proper, spring retainer & guide.

Camshaft: Use assembly lube, check cam timing and valve lift.

Take your time and ask for professional help or advice if you do not feel sure with only the workshop manual.

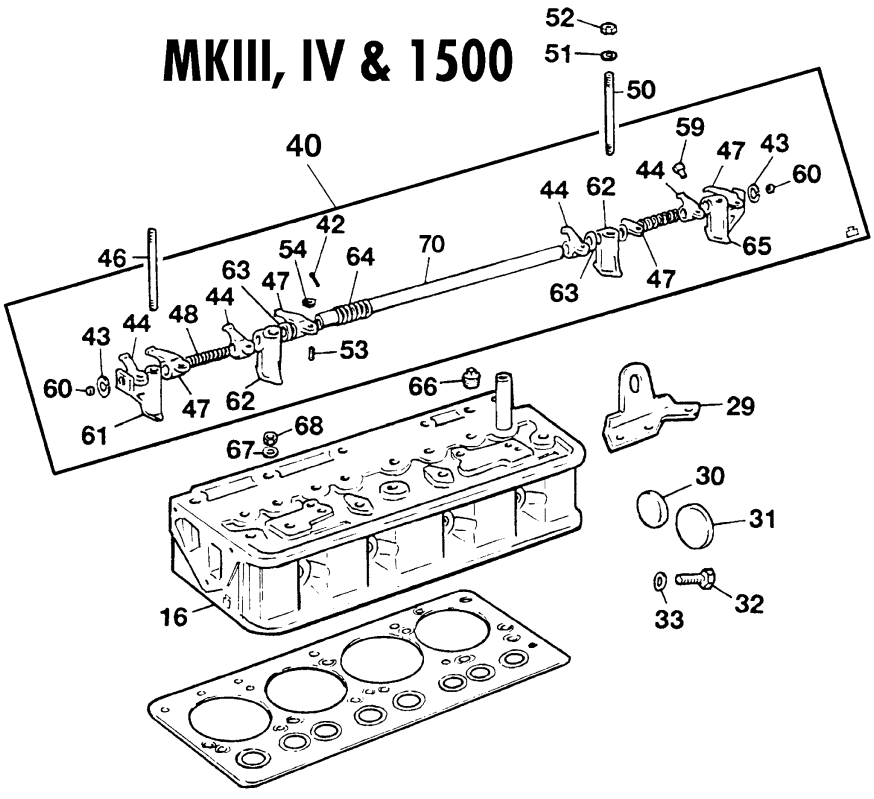
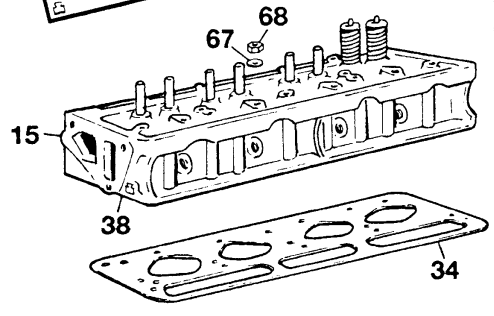
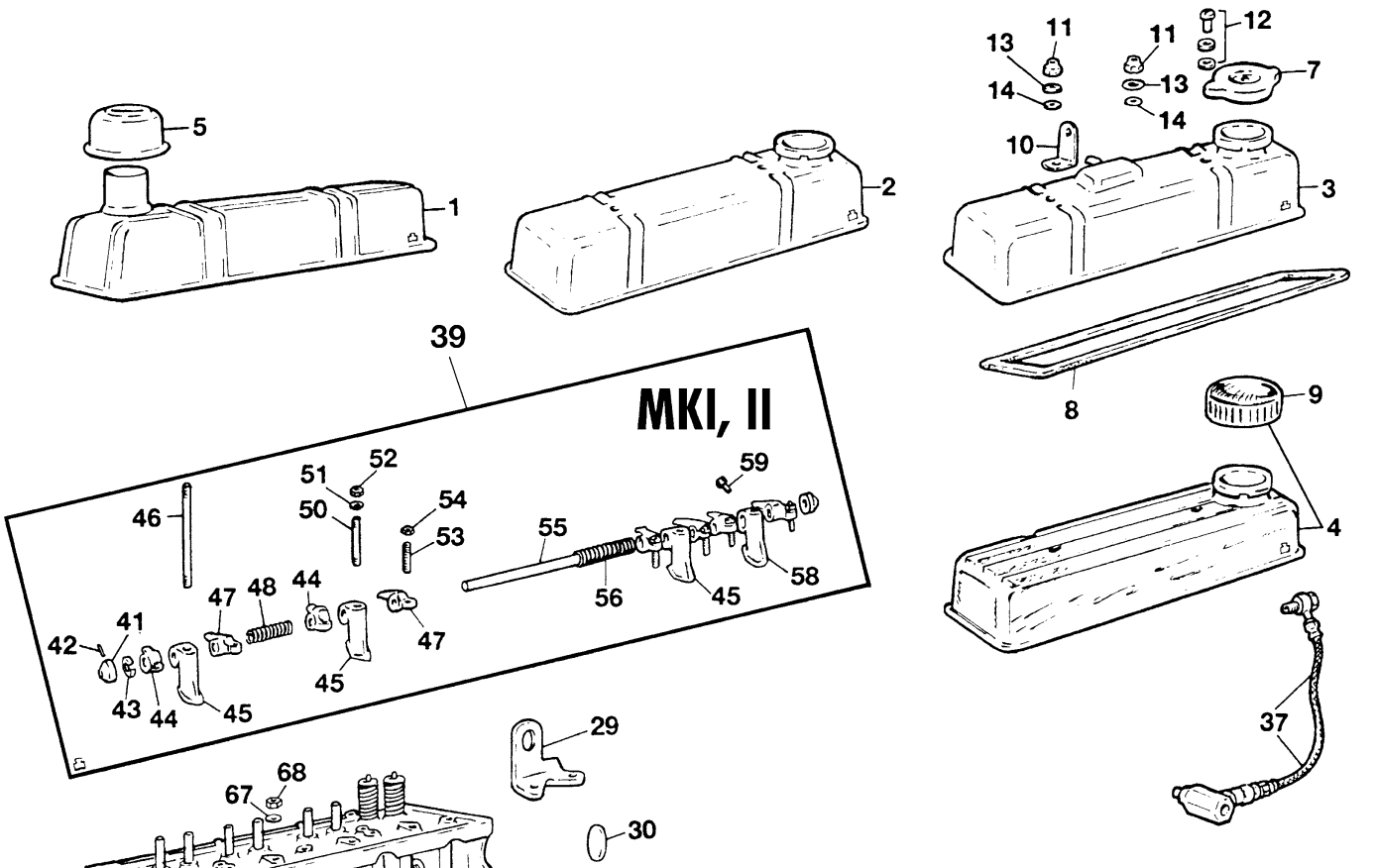
ILL N°	PART N°	QTY	DESCRIPTION	APPLICATION
1	013.386	4	Connecting rod	MKI, full floating type
2	013.387	4	Connecting rod	MKI, II, press-fit type
3	013.333	4	Connecting rod	MKIII, full floating type
	013.334	4	Connecting rod	MKIV, 1500, full floating type
4	174.058	4	Washer locktab	MKI, to FC30192E
5	162.847	8	Bolt, con.rod	MKI, to FC30192E
6	162.526	8	Bolt, con.rod	MKI, II, III, IV, 1500
7	172.482	8	Dowel	
8	013.178	4	Bush, con. rod end	full floating type
9	Circlip type piston pin, 69.289 bore, pin/top = 38.456, total height = 74.346, C.R. 8 to 1			
	014.310	1	Piston set STD	MKI, full floating
	014.312	1	Piston set .020"	
	014.313	1	Piston set .030"	
	014.314	1	Piston set .040"	
	014.316	1	Piston set .060"	
10	Piston pin press-fitted in con-rod, 69.289 bore, pin/top = 38.456, total height = 74.447, C.R. 8 to 1			
	014.410	1	Piston set STD	MKI, II, press fit
	014.412	1	Piston set .020"	
	014.413	1	Piston set .030"	
	014.414	1	Piston set .040"	
10	Piston pin press-fitted in con-rod, 73.647 bore, pin/top = 38.494, total height = 66.967, C.R. 9 to 1			
	014.420	1	Piston set STD	MKIII, press fit 1967 only!
	014.423	1	Piston set .030"	
	014.426	1	Piston set .060"	
11	Circlip type piston pin, 73.647 bore, pin/top = 38.494, total height = 66.967, C.R. 9 to 1			
	014.087	1	Piston set STD	MKIII, IV, Full floating
	014.088	1	Piston set .020"	
	014.089	1	Piston set .030"	
	014.090	1	Piston set .040"	
	014.091	1	Piston set .060"	

ILL N°	PART N°	QTY	DESCRIPTION	APPLICATION
11	Circlip type piston pin, 73.647 bore, pin/top = 32.690, total height = 58.090, C.R. 9 to 1			
	014.092	1	Piston set STD	1500, high compression
	014.093	1	Piston set .020"	
	014.094	1	Piston set .030"	
	014.095	1	Piston set .040"	
	014.096	1	Piston set .060"	
12	014.380	1	Piston ring set STD	MKI, II, 69.29 bore
	014.382	1	Piston ring set .020"	
	014.383	1	Piston ring set .030"	
	014.384	1	Piston ring set .040"	
	014.386	1	Piston ring set .060"	
	014.097	1	Piston ring set STD	MKIII, IV, 1500, 73.65 bore
	014.098	1	Piston ring set .020"	
	014.099	1	Piston ring set .030"	
	014.100	1	Piston ring set .040"	
	014.101	1	Piston ring set .060"	
13	014.417	4	Piston liner	MKI, II
	014.323	4	Piston liner	MKIII, IV, 1500
14	015.034	1	Rod bearing set STD	MKI, II, III, (41,2)
	015.035	1	Rod bearing set .010"	
	015.036	1	Rod bearing set .020"	
	015.037	1	Rod bearing set .030"	
	015.038	1	Rod bearing set .040"	
	015.187	1	Rod bearing set .060"	
	015.044	1	Rod bearing set STD	MKIV, 1500, (47,6)
	015.045	1	Rod bearing set .010"	
	015.046	1	Rod bearing set .020"	
	015.047	1	Rod bearing set .030"	
	015.048	1	Rod bearing set .040"	
	015.049	1	Rod bearing set .060"	

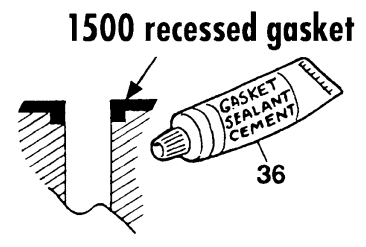
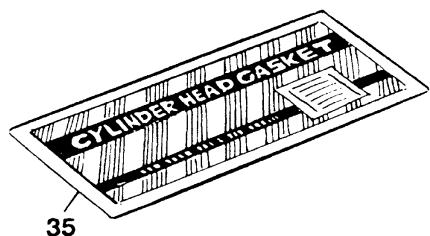
C.R. = Compression Ratio



Cylinderhead



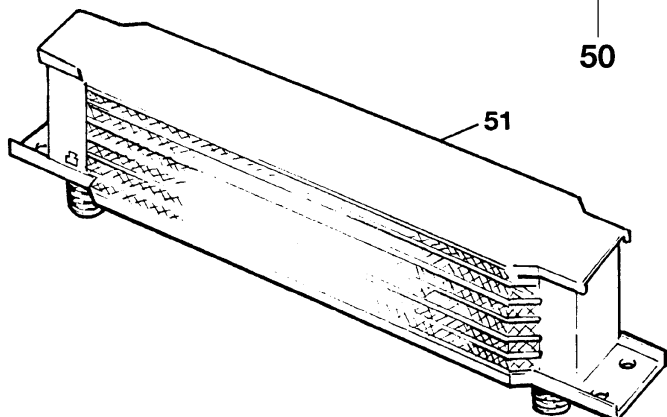
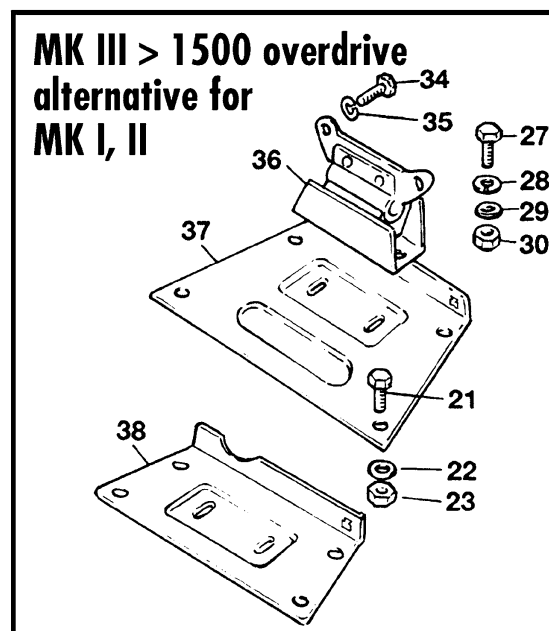
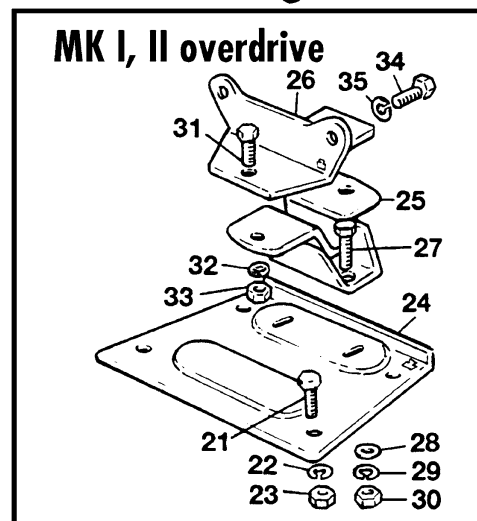
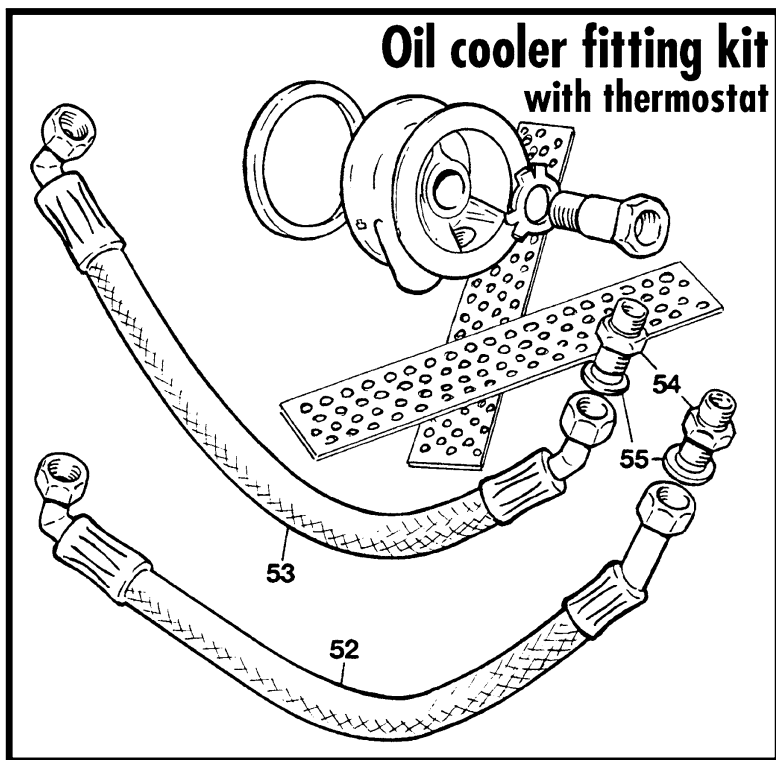
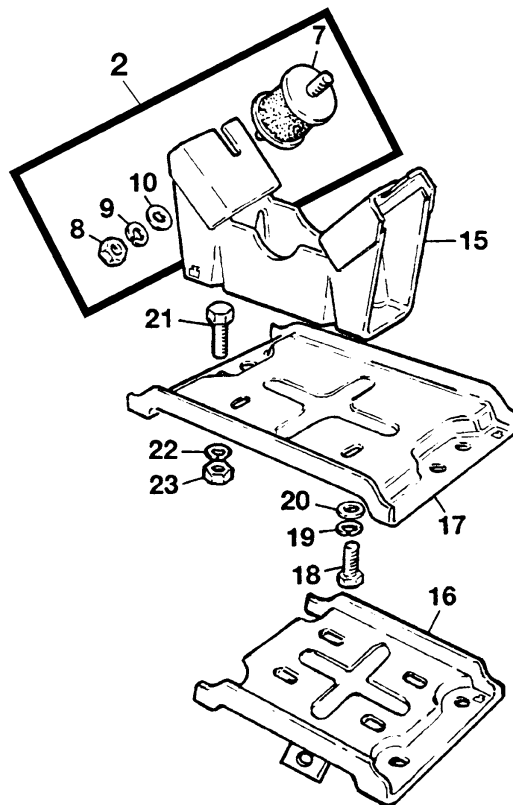
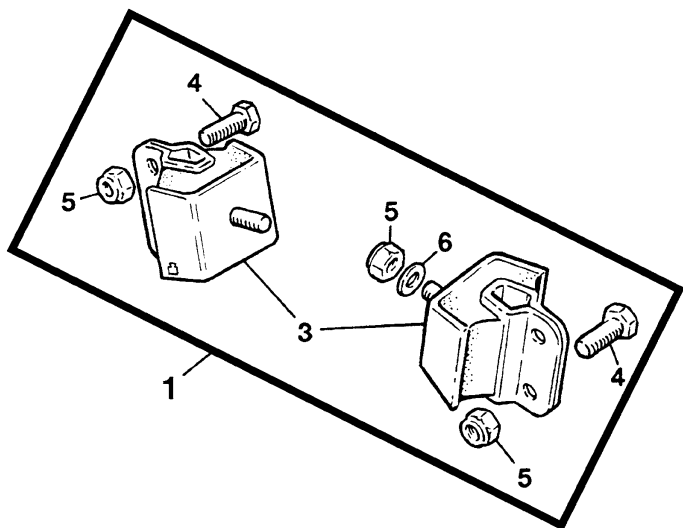
**Fitting kit
Rockershaft to head**

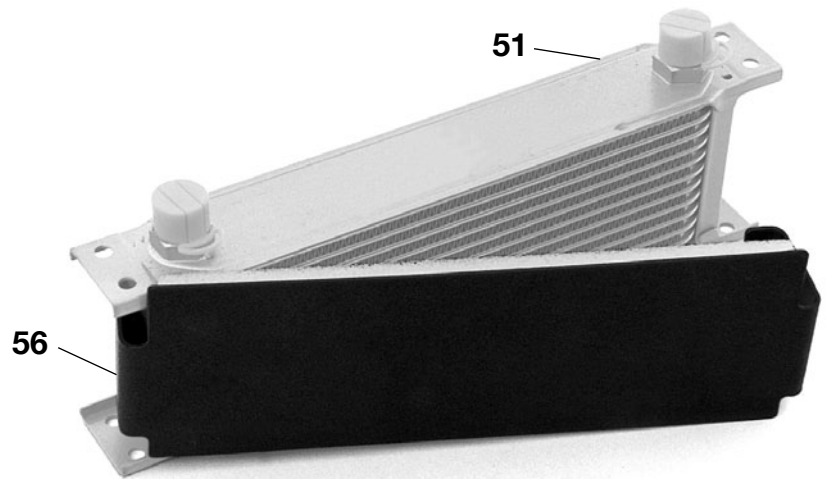




ILL N°	PART N°	QTY	DESCRIPTION	APPLICATION
1	012.449	1	Rocker cover	MKI
	012.450	1	Rocker cover, chrome	MKI
2	012.451	1	Rocker cover	MKII, III
3	012.452	1	Rocker cover	MKIV, 1500 to FM8000E
	012.453	1	Rocker cover	1500 FM8000E -> polished
4	185.094	1	Rocker cover, aluminium	black wrinkle paint finish
	185.671	1	Rocker cover, aluminium	black wrinkle paint finish
5	012.164	1	Filler cap	MKI
	085.148	1	Sticker, filler cap	not illustrated
7	012.321	1	Filler cap, flat	MKII, III, IV
	012.249	1	Filler cap, flat	1500
8	016.074	1	Gasket, rocker cover	
9	185.075	1	Filler cap, chrome	for 185.094 & 185.671 only!
10	011.541	1	Bracket, acc.cable	MKIV to FH25000
11	161.467	2	Nut, rocker cover	MKI -> IV to FM8000E
	161.330	2	Nut, alternative	
12	012.347	2	Nut, rocker cover	MKIV, 1500 FM8000E on
	011.416	2	Washer, shoulder	MKIV, 1500 FM8000E on
	012.184	2	Seal	MKIV, 1500 FM8000E on
13	168.119	2	Washer, fibre	all
14	168.119	2	Washer, fibre	MKI -> IV to FM8000E
	012.184	2	Washer	MKIV, 1500 FM8000E on
15	012.440	1	Cylinder head 11 STUDS, with valves modified for lead free fuel	MKI, II
16	012.068	1	Cylinder head, 1300 10 STUDS, with valves modified for lead free fuel	MKIII, IV
	012.069	1	Cylinder head, 1500 supplied with valves modified for lead free fuel	1500
17	011.542	1	Tube assembly	MKI, II to FC60350E
18	012.377	4	EX Valve 29.10mm	MKI, II
	012.073	4	EX Valve 29.90mm	MKIII, IV, 1500
	012.074	4	EX Valve 29.77mm	MKIV, 1500
	012.467	4	EX Valve 31.34mm	1500 special modif.
	012.376	4	IN Valve 31.50mm	MKI, II
19	012.071	4	IN Valve 33.30mm	MKIII, IV to FH25000E
	012.072	4	IN Valve 36.50mm	MKIV, 1500 FH25000E->1975
	012.158	4	IN Valve 35.17mm	1500 1975->
20	012.468	4	Insert, inlet	MKI, II
	012.434	4	Insert, inlet	MKIII
	012.436	4	Insert, inlet	MKIV, early 1500
	012.470	4	Insert, inlet	1500, '75-
21	012.435	4	Insert, exhaust	MKI, II, III, IV
	012.469	4	Insert, exhaust	early 1500
	012.471	4	Insert, exhaust	1500 '75-
22	012.172	8	Valve guide, standard	MKI, II
	012.373	8	Valve guide, bronze	MKI, II
	012.070	8	Valve guide, standard	MKIII, IV, 1500
	012.372	8	Valve guide, bronze	MKIII, IV, 1500
	012.422	4	Collar, inlet	MKI, II, III, IV
23	012.409	4	Collar, inlet	1500
	012.422	4	Collar, exhaust	MKI, II, III, IV
24	012.409	4	Collar, exhaust	1500
	012.409	4	Collar, exhaust	1500
25	012.075	1	Valve spring set, single spring	MKI, II, III, IV to FH25000E
	012.076	1	Valve spring set, double springs	MKIV, from FH25000 & 1500

ILL N°	PART N°	QTY	DESCRIPTION	APPLICATION
26	012.442	8	Inner spring only !	MKIV, from FH25000 & 1500
27	012.352	8	Valve keeper, cap	
	012.454	8	Valve cap, aluminium	
28	012.078	16	Valve cotter	
29	011.543	1	Lifting eye	MKI, II
	011.544	1	Lifting eye	MKIII, IV, 1500
30	011.432	1	Core plug, 1"	25.40mm
	011.220	1	Core plug, 1.1/4"	31.75mm
31	011.378	1	Core plug, 1.5/8"	41.27mm
	011.377	1	Core plug, 1.3/4"	44.45mm
32	162.849	1	Screw	
33	168.028	1	Washer, copper	
34	016.224	1	Head gasket	MKI, II 11 studs
	016.075	1	Head gasket, flat	MKIII, IV to FH25000E
	016.077	1	Head gasket, recessed	MKIV, 1500 from FH25000E
35	016.225	1	HEAD GASKET SET	MKI, II 11 studs
	016.067	1	HEAD GASKET SET, flat	MKIII, IV to FH25000E
	016.069	1	HEAD GASKET SET, with recessed cylinder edges	MKIV, 1500 from FH25000E
36	016.269	1	Gasket sealant	
37	012.402	1	Rocker feed kit	aftermarket
38	012.472	8	Tube, push rod	MKI, II
39	012.473	1	Rockers & shaft ass.	MKI, II
40	012.148	1	Rockers & shaft ass.	MKIII, IV, 1500
41	012.444	2	End collar	MKI, II
42	172.287	2	Pin	MKI, II
43	164.026	2	Spring, outer	MKI, II
44	012.081	4	Rocker 1, 3, 5, 7	all
45	012.448	3	Pedestal, plain	MKI, II
46	167.070	2	Stud, rocker cover	MKI, II, III, IV to FM8000E
	167.169	2	Stud, rocker cover	MKIV, 1500 from FM8000E
47	012.082	4	Rocker 2, 4, 6, 8	all
48	012.080	2	Spring, intermediate	
50	167.071	2	Stud	
51	163.005	4	Washer, plain	
52	161.026	4	Nut	
53	162.844	8	Adjuster screw	MKI, II, III, IV to FH25000E
	162.441	8	Adjuster screw	MKIV, 1500 from FH25000E
54	161.008	8	Nut	
55	012.457	1	Rocker shaft	MKI, II
	012.079	1	Rocker shaft	MKIII, IV, 1500
56	012.443	1	Spring, centre	MKI, II
58	012.447	1	Pedestal, drilled	MKI, II
59	162.794	1	Screw	
60	012.427	2	Plug, for OE shaft	MKIII, IV, 1500
61	012.455	1	Pedestal, plain	MKIII, IV, 1500
62	012.429	2	Pedestal, central	MKIII, IV, 1500
63	012.456	2	Spacer	MKIII, IV, 1500
64	012.080	1	Spring, centre	MKIII, IV, 1500
65	012.458	1	Pedestal, drilled	MKIII, IV, 1500
66	011.341	1	Plug, screwed	MKIV, 1500
67	164.004	11	Washer, cylinder head	MKI, II
	164.004	10	Washer, cylinder head	MKIII, IV, 1500
68	161.287	11	Nut, cylinder head	MKI, II
	161.287	10	Nut, cylinder head	MKIII, IV, 1500
69	011.573	1	Stud, nut & washer kit Rockershaft to head	
70	012.079	1	Rockershaft	MKIII, IV & 1500



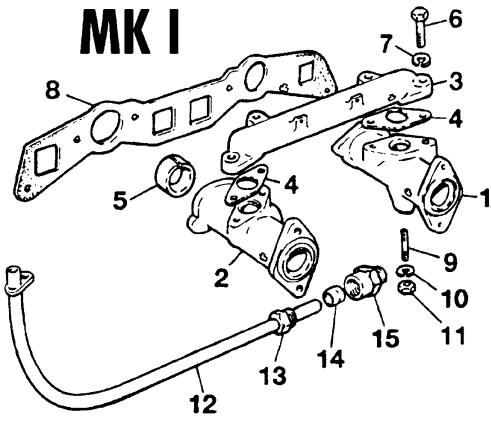


ILL N°	PART N°	QTY	DESCRIPTION	APPLICATION
1	011.574	1	Engine mounting kit	MKI 1500
2	027.190	1	Gearbox mounting kit	MKI 1500 non overdrive
3	011.125	2	Engine mounting	
4	162.042	4	Bolt	
5	161.025	6	Nut, nylon lock	
6	163.005	2	Washer, plain	
7	027.065	2	Gearbox mounting	non overdrive
8	161.002	2	Nut	
9	164.002	2	Washer, spring	
10	163.001	2	Washer, plain	
15	027.189	1	Bracket, support	all non overdrive
16	135.313	1	Platform, non overdrive	MKI, II
17	135.314	1	Platform, non overdrive	MKIII, IV to FH60000
	135.315	1	Platform, non overdrive	MKIV, 1500 from FH60001
18	162.045	2	Screw, support to platt.	
19	164.002	2	Washer, spring	
20	163.001	2	Washer, plain	
21	162.005	4	Screw, platform to chassis	
22	164.002	4	Washer, spring	
23	161.002	4	Nut	
24	135.316	1	Platform	MKI, II overdrive
25	027.185	1	Mounting, flexible	MKI, II overdrive
26	027.186	1	Bracket	MKI, II overdrive
27	162.045	2	Screw, support to platform	
28	163.001	2	Washer, spring	

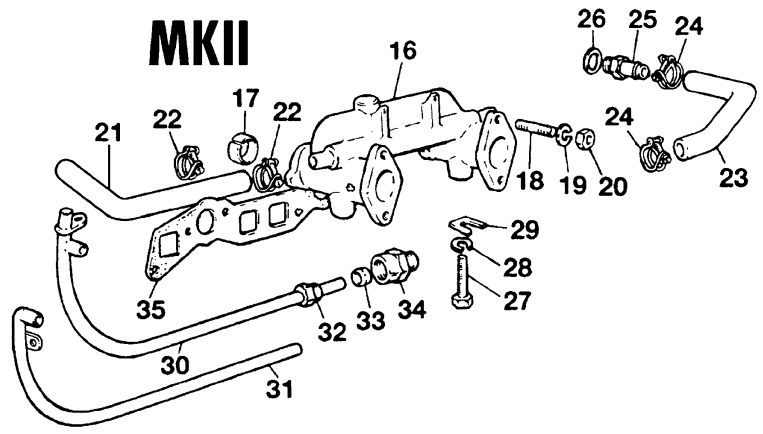
ILL N°	PART N°	QTY	DESCRIPTION	APPLICATION
29	164.002	2	Washer, plain	
30	161.002	2	Nut	
31	162.045	2	Screw, flex to bracket	MKI, II overdrive
32	164.002	2	Washer, spring	
33	161.002	2	Nut	
34	162.022	2	Bolt, O/D fixing	
35	164.002	2	Washer, spring	
36	027.066	1	Bracket & flex.mounting	MKIII, IV, 1500, will also fit MKI, II
37	135.316	1	Platform, overdrive	MKIII to FD25745
	135.317	1	Platform, overdrive	MKIII, IV, 1500
38	135.318	1	Platform, overdrive	1500 1975 on
50	185.287	1	Oil cooler fitting kit with braided hoses. Kits come with a thermostat built into the take-off adaptor plate. The thermostat is set to open only when 74 C° is reached. This means that the oil will keep his best operating temperature and will not undercool.	
51	060.003	1	Oil cooler radiator, 13 row	
52	071.023	1	RH Oil hose, rubber	
53	071.024	1	LH Oil hose, rubber	
54	011.553	2	Adaptor	
55	168.146	2	Joint washer	
56	185.440	1	Oil cooler shroud	



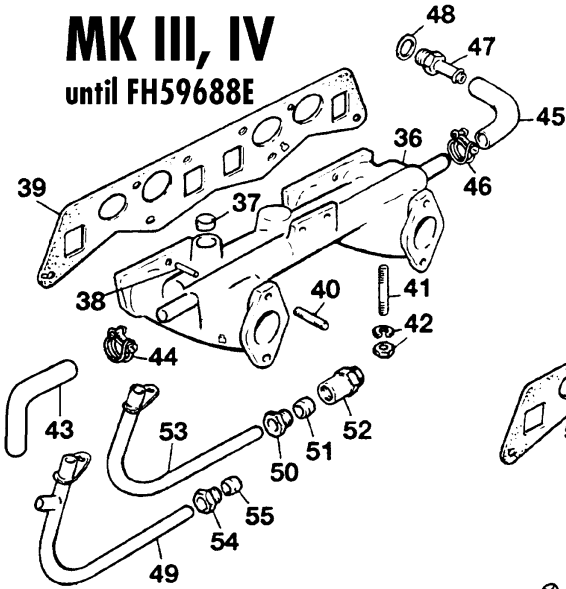
MK I



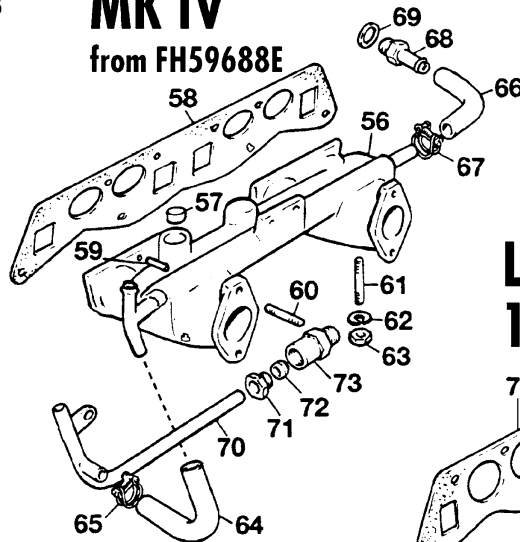
MK II



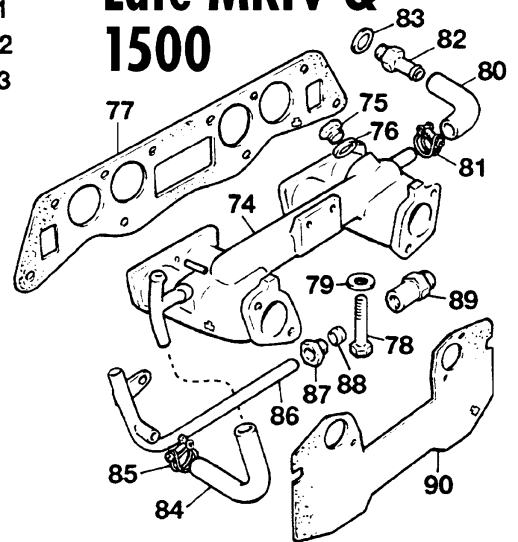
MK III, IV until FH59688E



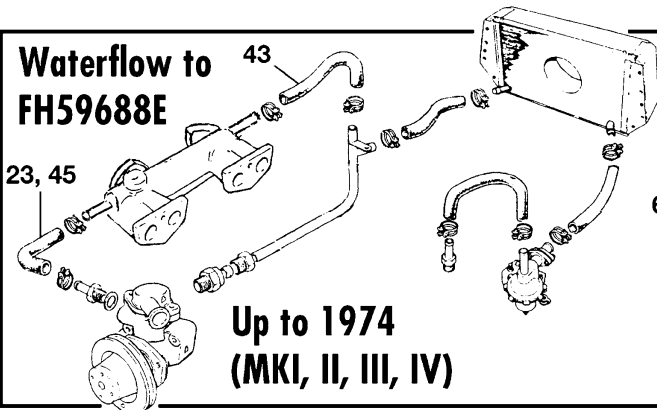
MK IV from FH59688E



Late MKIV & 1500

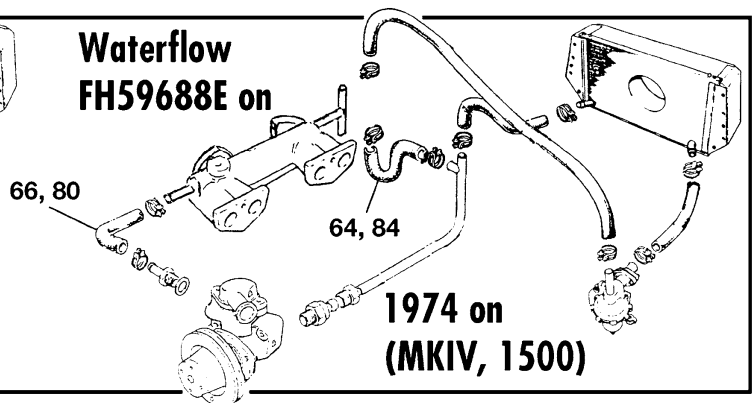


Waterflow to FH59688E

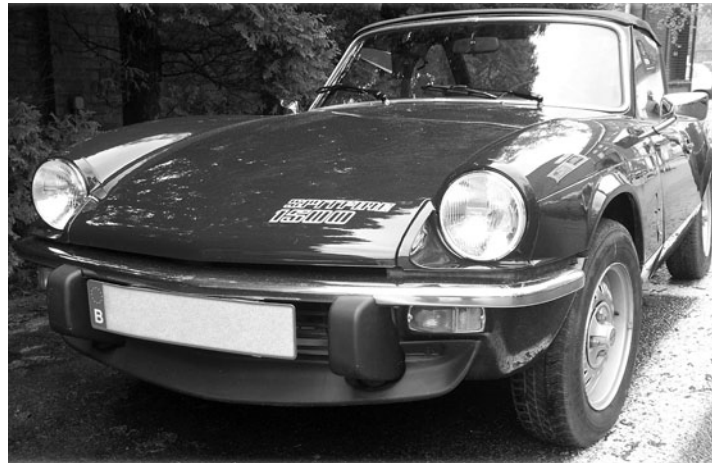


**Up to 1974
(MK I, II, III, IV)**

Waterflow FH59688E on



**1974 on
(MKIV, 1500)**

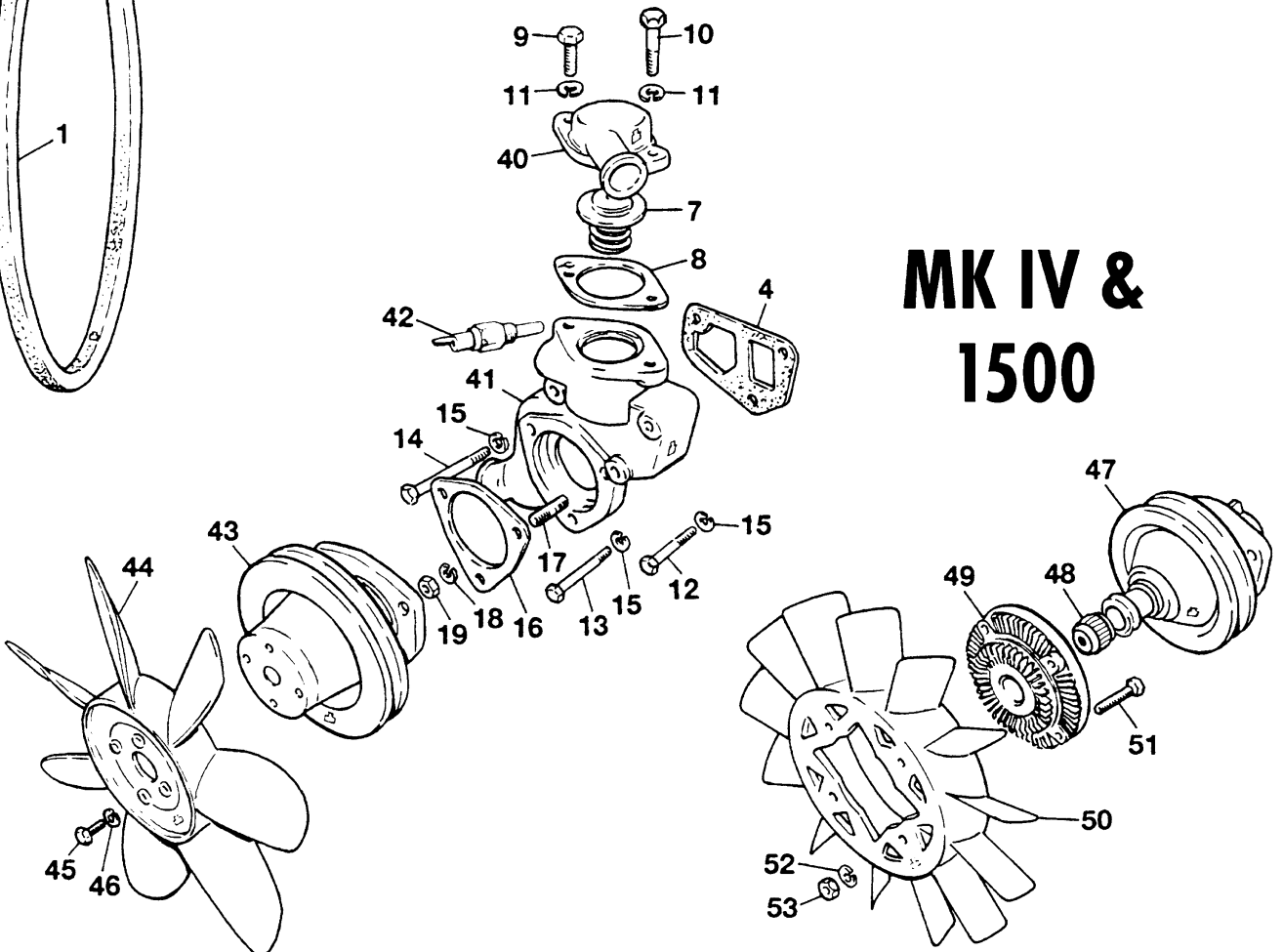
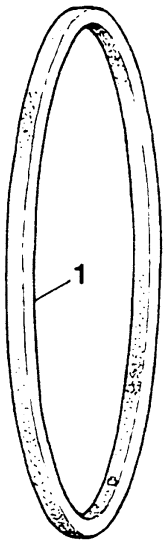
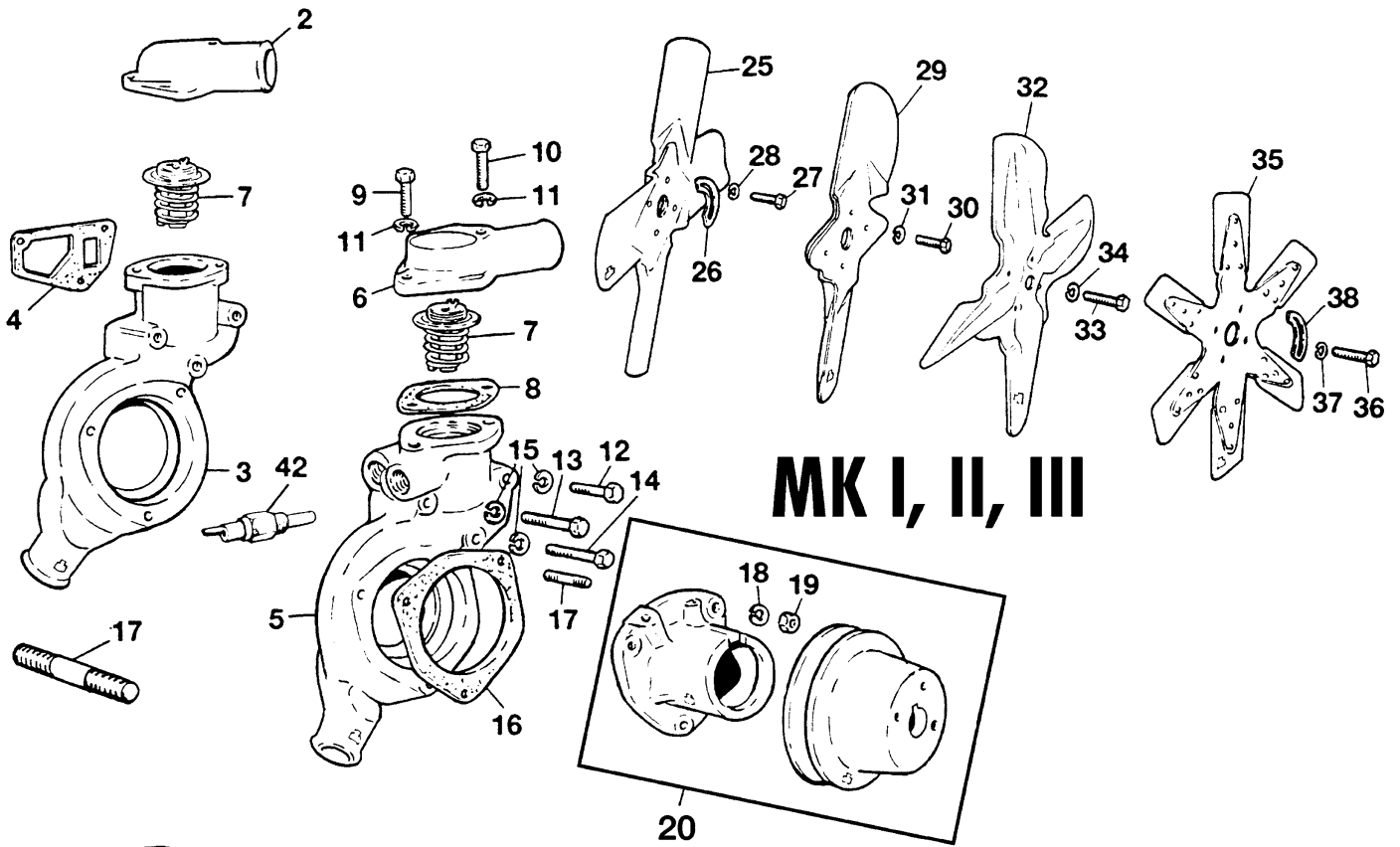


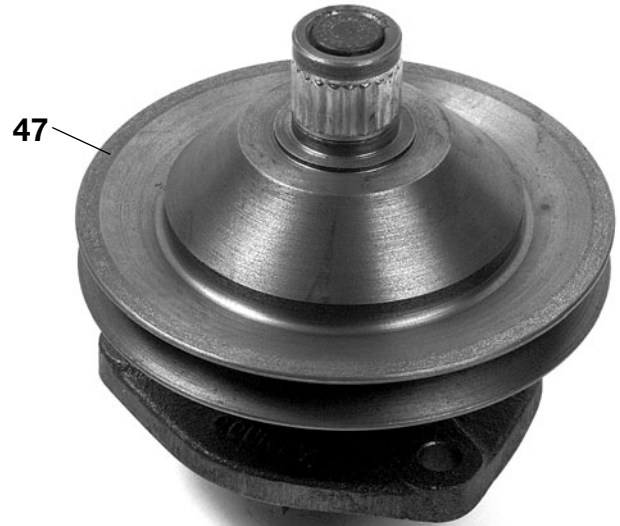
ILL N°	PART N°	QTY	DESCRIPTION	APPLICATION
1	011.404	1	Front manifold	MK1
2	011.405	1	Rear manifold	MK1
3	011.406	1	Balance piece	MK1
4	016.393	2	Gasket	MK1
5	011.564	2	Sleeve, locating	MK1, II
6	162.703	2	Bolt, balance piece and tank support	MK1 to FC39925E
	162.481	2	Bolt, to manifold	MK1 FC39925E to FC50000E
	162.081	2	Bolt, balance piece to inlet manifold	MK1
7	164.002	4	Washer, spring	MK1
	168.045	4	Washer, rubber	MK1
	163.152	2	Spacer	MK1
	163.131	2	Washer, plain	MK1
8	016.314	1	Gasket, manifold	MK1, II
9	167.134	2	Stud	MK1
10	164.006	2	Washer, spring	MK1
11	161.026	2	Nut	MK1
12	063.200	1	Pipe, water return	MK1
13	161.265	1	Nut	MK1
14	161.266	1	Sleeve	MK1
15	161.267	1	Adaptor	MK1
16	011.407	1	Manifold	MKII
17	011.564	2	Sleeve, locating manifold to cylinder head	MK1, II
18	167.013	4	Stud UNC-UNF, carburettor to manifold	MKII
19	164.006	4	Washer, spring	MKII
20	161.026	4	Nut	MKII
21	062.158	1	Hose	MKII
22	172.026	2	Clip, hose	MKII
23	062.159	1	Hose to waterpump	MKII
	062.056	1	Hose, alternative	
24	172.026	2	Clip, hose	MKII
25	011.391	1	Adaptor, hose	MKII
26	102.080	1	Washer, fibre	MKII
27	162.860	2	Screw, 3/8" UNC	MKII
28	164.006	2	Washer, spring	MKII
29	011.565	A/R	Shim plate	MKII
30	063.112	1	Pipe, water return	MKII with heater inst.
31	063.200	1	Pipe, water return	MKII without heater
32	161.265	1	Nut	MKII
33	161.266	1	Sleeve	MKII
34	161.267	1	Adaptor	MKII
35	016.314	1	Gasket	MKII
36	011.409	1	Manifold, illustrated	MKIII, IV FH59688E
37	011.450	1	Plug	MKIII, IV
38	172.504	2	Pin, locating	MKIII, IV
39	016.076	1	Gasket	MKIII, IV
40	167.073	4	Stud, UNF-UNF	MKIII, IV
41	167.094	2	Stud	MKIII, IV
42	164.002	2	Washer, spring	MKIII, IV
	161.002	2	Nut	MKIII, IV

ILL N°	PART N°	QTY	DESCRIPTION	APPLICATION
43	062.160	1	Hose	MKIII, IV
44	172.026	2	Clip, hose	MKIII, IV
45	062.056	1	Hose, to waterpump	MKIII, IV
46	172.026	2	Clip, hose	MKIII, IV
47	011.391	1	Adaptor	MKIII, IV
48	102.080	1	Washer	MKIII, IV
49	063.112	1	Pipe, water return	MKIII, IV with heater
50	161.265	1	Nut	MKIII, IV
51	161.266	1	Sleeve	MKIII, IV
52	161.267	1	Adaptor	MKIII, IV
53	063.200	1	Pipe, water return	MKIII, IV no heater
54	161.265	1	Nut	MKIII, IV
55	161.266	1	Sleeve	MKIII, IV
56	011.410	1	Manifold	MKIV from FH59689E
57	011.540	1	Plug	MKIV from FH59689E
58	016.076	1	Gasket	MKIV from FH59689E
59	172.504	2	Pin location	MKIV from FH59689E
60	167.073	4	Stud	MKIV from FH59689E
61	167.094	2	Stud	MKIV from FH59689E
62	164.002	2	Washer, spring	MKIV from FH59689E
63	161.002	2	Nut	MKIV from FH59689E
64	062.057	1	Hose	MKIV from FH59689E
65	172.026	2	Clip, hose	MKIV from FH59689E
66	062.056	1	Hose	MKIV from FH59689E
67	172.026	2	Clip, hose	MKIV from FH59689E
68	011.391	1	Adaptor	MKIV from FH59689E
69	102.080	1	Washer, fibre	MKIV from FH59689E
70	063.112	1	Pipe, water return if heater is fitted	MKIV from FH59689E
	063.200	1	Pipe, water return when no heater fitted	MKIV from FH59689E
71	161.265	1	Nut	MKIV from FH59689E
72	161.266	1	Sleeve	MKIV from FH59689E
73	161.267	1	Adaptor	MKIV from FH59689E
74	011.411	1	Manifold	1500
75	162.838	1	Plug	1500
76	168.023	1	Washer, fibre	1500
77	016.078	1	Gasket	1500
78	162.519	2	Bolt, UNC	1500
79	163.001	2	Washer, plain	1500
80	062.057	1	Hose	1500
81	172.026	2	Clip, hose	1500
82	011.391	1	Adaptor	1500
83	102.080	1	Washer, fibre	1500
84	062.057	1	Hose	1500
85	172.026	2	Clip, hose	1500
86	063.042	1	Pipe, water return	1500
87	161.265	1	Nut	1500
88	161.266	1	Sleeve	1500
89	161.267	1	Adaptor	1500
90	101.095	1	Heat shield	1500



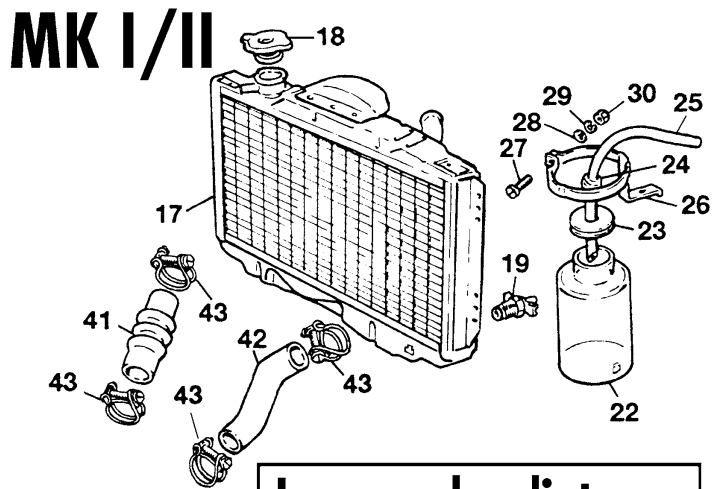
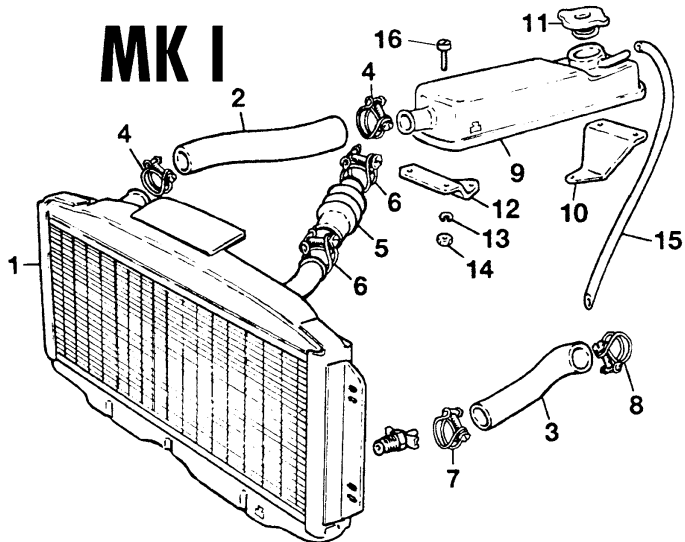
Water pump, fan and fan belt



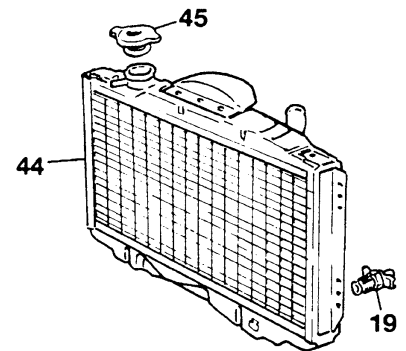
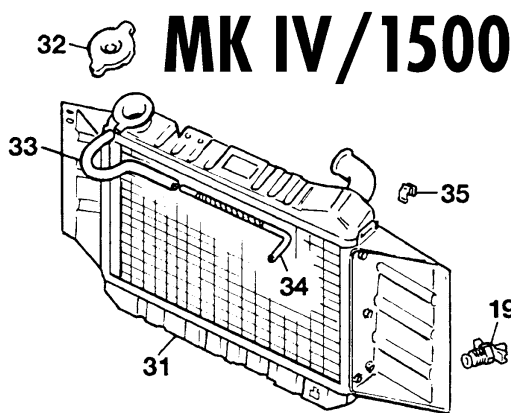
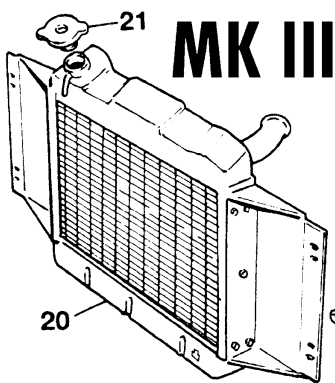


ILL N°	PART N°	QTY	DESCRIPTION	APPLICATION
1	061.194	1	FAN BELT	MKI, II, III
	061.028	1	FAN BELT	MKIV, 1500
2	012.463	1	Thermostat housing	MKI, II to FC68072E
3	061.219	1	Housing, pump & thermo	MKI
4	016.083	1	Gasket, housing to block	all
5	011.334	1	Housing, pump & thermo	MKII, III
6	012.464	1	Thermostat housing	MKII, III from FC68073E
7	012.013	1	Thermostat 74°C	summer
	012.057	1	Thermostat 82°C	normal
	012.085	1	Thermostat 88°C	winter
8	016.089	1	Gasket, thermostat	all
9	162.020	1	Screw	all
10	162.081	1	Screw	all
11	164.002	2	Washer, spring	all
12	162.041	1	Bolt, 2.1/4"	all
13	162.025	1	Bolt, 2.3/4"	all
14	162.858	1	Bolt, 2.3/8"	MKI, II, III
	162.073	1	Bolt, 2.1/2"	MKIV, 1500
15	164.002	3	Washer, spring	all
16	016.080	1	Gasket, waterpump	all
17	167.116	3	Stud 1.1/4"	all
18	164.002	3	Washer, spring	all
19	161.002	3	Nut	all
20	061.025	1	WATER PUMP & PULLEY the pulley is press-fitted on the pump.	MKI, II, III
25	061.221	1	Fan for UK market	MKI to FC42992E
	061.222	1	Fan all except UK	MKI, II FC42992E
26	061.225	1	Balance piece	MKI to FC42992E
27	162.077	4	Bolt	MKI to FC42992E
28	164.012	4	Washer, spring	MKI to FC42992E

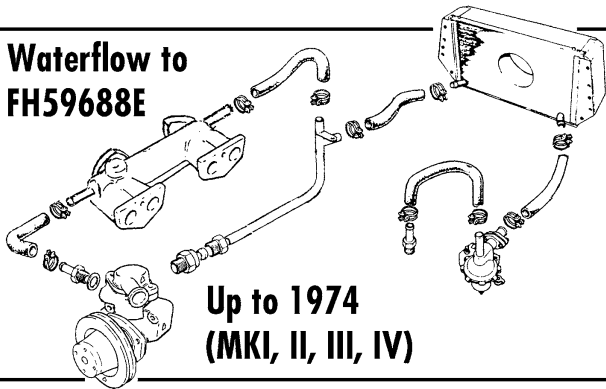
ILL N°	PART N°	QTY	DESCRIPTION	APPLICATION
29	061.223	1	Fan used in UK only	MKI, II to FC55747E
	061.224	1	Fan used in UK only	MKI, II TC55747E 30
30	162.029	4	Bolt	MKI, II
31	164.012	4	Washer, spring	MKI, II
32	061.032	1	Fan, 4 blades	MKIII
33	162.077	4	Bolt	MKIII
34	164.012	4	Washer, spring	MKIII
35	061.031	1	Fan, 6 blade	MKII, III Germany
36	162.077	4	Bolt	MKII, III Germany
37	164.012	4	Washer, spring	MKII, III Germany
38	061.225	1	Balance piece	MKII, III Germany
40	012.086	1	Thermostat housing	MKIV, 1500
41	011.334	1	Housing, pump	MKIV, 1500
42	012.084	1	Temp.sending unit	MKIV, 1500
43	061.026	1	MKIV, 1500 until early 1975 The fan bolts straight onto the pump.	
44	061.175	1	Fan, transparent colour	MKIV, 1500 till early 1975
	061.211	1	Fan, light orange	alternative type
	061.033	1	Fan, light green	alternative type
45	162.077	4	Bolt	MKIV, 1500 fix fan
46	164.012	4	Washer, spring	MKIV, 1500
47	061.027	1	Waterpump, for Visco type	1500 1975 on
48	172.083	1	CLIP ring for coupling	1500 1975-
49	061.030	1	VISCO COUPLING	1500 1975-
50	061.034	1	Fan, white	1500 1975-
51	162.018	4	Screw, fan to coupling	1500 1975-
52	164.012	4	Washer, spring	1500 1975-
53	161.019	4	Nut	1500 1975-



Improved radiator for all types

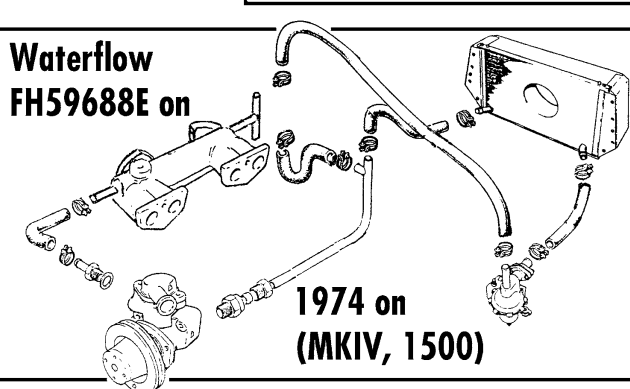


Waterflow to FH59688E



Up to 1974 (MK I, II, III, IV)

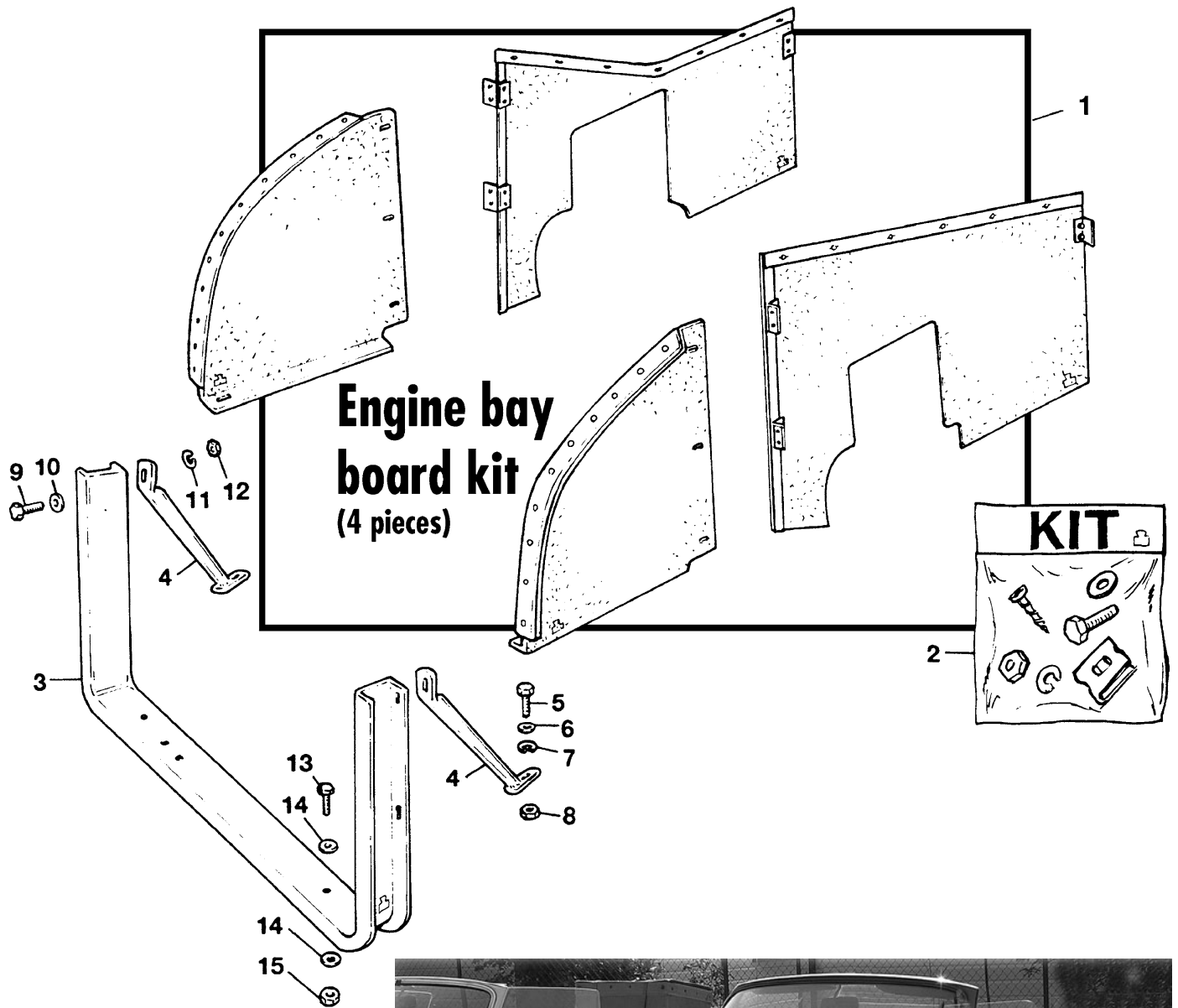
Waterflow FH59688E on



1974 on (MK IV, 1500)

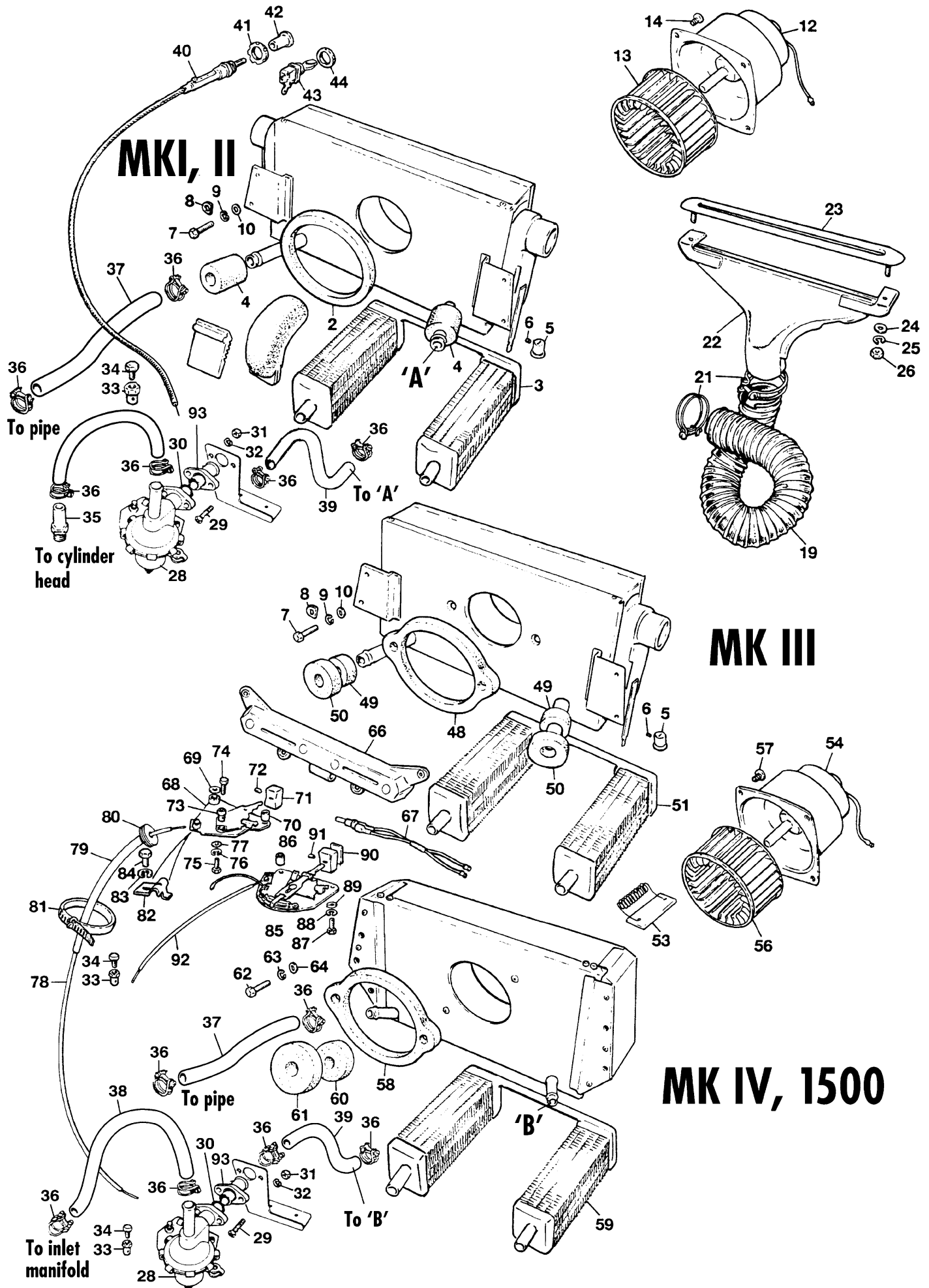
ILL N°	PART N°	QTY	DESCRIPTION	APPLICATION
1	060.042	1	RADIATOR	MKI to FC39925
2	062.093	1	Hose, overflow	MKI
3	062.048	1	HOSE, BOTTOM	MKI, II, III, IV
4	172.007	2	Clip, hose	MKI
5	062.008	1	HOSE, TOP	MKI, II, III, IV, 1500
6	172.007	2	Clip, hose	MKI
7	172.007	1	Clip, bottom hose	MKI
8	172.119	1	Clip, bottom hose	MKI
9	061.232	1	Header tank	MKI
10	135.322	1	Bracket, tank, rear	MKI
11	061.021	1	Cap, tank	MKI
12	135.323	1	Bracket, tank, front	MKI
13	164.012	4	Washer, spring	MKI
14	161.019	4	Nut	MKI
15	062.155	1	Pipe, overflow	MKI
16	162.076	4	Screw	MKI
17	060.043	1	RADIATOR	MKI, II from FC39926
18	061.087	1	Cap, radiator	MKI, II
19	061.171	1	Tap, drain	all
20	060.044	1	RADIATOR	MKIII

ILL N°	PART N°	QTY	DESCRIPTION	APPLICATION
21	061.087	1	Cap, radiator	MKIII
22	061.153	1	Bottle, overflow	MKII, III, IV, 1500
23	061.154	1	Cap, bottle	MKII, III, IV, 1500
24	061.016	1	Grommet	MKII, III, IV, 1500
25	062.125	1	Pipe	MKII, III, IV, 1500
26	061.209	1	Bracket	MKII, III, IV, 1500
27	162.857	1	Screw	MKII, III, IV, 1500
28	163.013	1	Washer, plain	MKII, III, IV, 1500
29	164.015	1	Washer, spring	MKII, III, IV, 1500
30	161.024	1	Nut	MKII, III, IV, 1500
31	060.007	1	RADIATOR	MKIV, 1500
32	061.035	1	Cap, radiator	MKIV, 1500
41	062.008	1	TOP HOSE	all
42	062.048	1	BOTTOM HOSE	MKI, II, III, IV 1300cc
43	062.009	1	BOTTOM HOSE	1500
43	172.007	4	CLAMP, hoses	all
44	060.036	1	TROPICAL IMPROVED RADIATOR Most overheating problems will be solved by fitting this big radiator.	all
45	061.087	1	Filler cap	for 060.036



ILL N°	PART N°	QTY	DESCRIPTION	APPLICATION
1	151.413	1	VALANCE BOARDS KIT	MKI, II
	151.609	1	VALANCE BOARDS KIT	MKIII
	151.278	1	VALANCE BOARDS KIT	MKIV, 1500
2	135.341	1	FIXING KIT 68 pieces	
3	132.722	1	Radiator mounting cradle	
	132.801	1	Radiator mounting cradle made from polished stainless steel.	
4	132.802	1	Pair supports, made from polished stainless steel	
5	162.072	2	Screw, support to chassis	

ILL N°	PART N°	QTY	DESCRIPTION	APPLICATION
6	164.006	2	Washer, spring	
7	163.005	2	Washer, plain	
8	161.025	2	Nut, nylon lock	
9	162.077	2	Screw, support to cradle	
10	163.010	2	Washer, plain	
11	164.012	2	Washer, spring	
12	161.019	2	Nut	
13	162.045	2	Screw, cradle to chassis	
14	163.001	4	Washer, plain	
15	161.012	2	Nut, nylon lock	



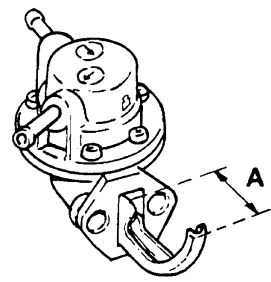
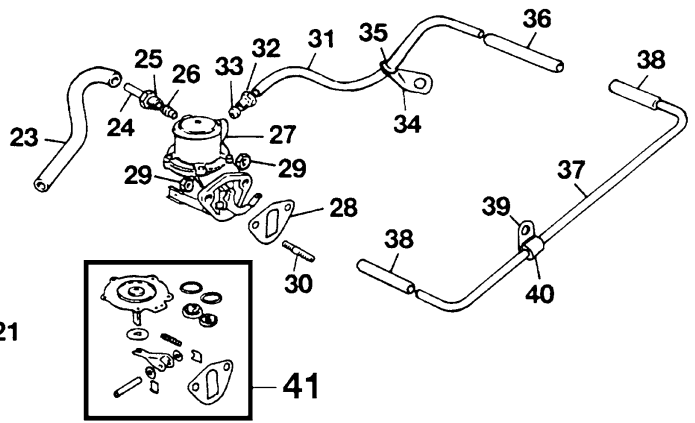
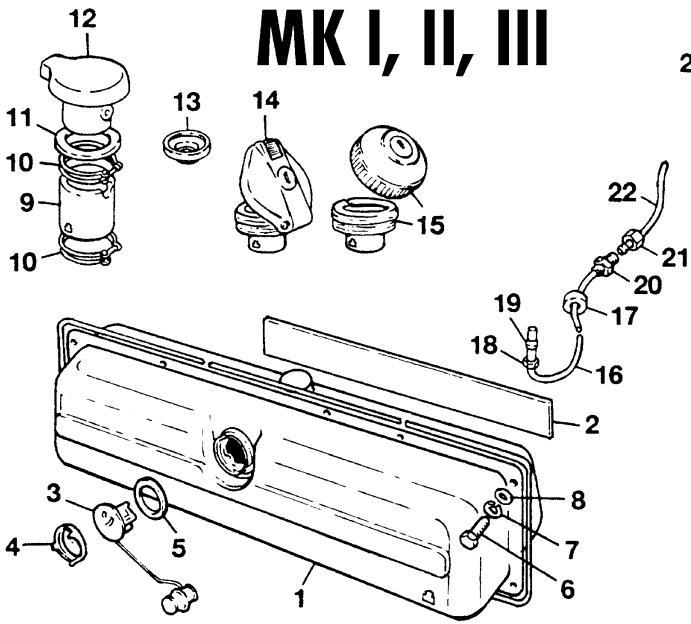


ILL N°	PART N°	QTY	DESCRIPTION	APPLICATION
2	063.206	1	Seal	MKI, II
3	063.204	1	Heater, matrix	MKI, II
4	063.208	4	Seal, pipes	MKI, II
5	063.178	1	Knob, vent door	MKI, II, III
6	162.583	1	Screw, knob	MKI, II, III
7	162.077	4	Screw, heater fix.	MKI, II, III
8	163.153	4	Washer	MKI, II, III
9	164.012	4	Washer, spring	MKI, II, III
10	163.138	4	Washer, plain, fitted before 'D' washer	MKI early
12	063.209	1	Motor, fan	
13	063.126	1	Runner	
14	162.786	4	Screw, motor to box	
19	063.157	2	Air hose, early type Plastic & metal	
	063.114	2	Air hose, all plastic	
21	172.120	4	Clip	
22	063.212	2	Nozzle	all to 1976
	063.213	1	LH Nozzle	1976-on
	063.214	1	RH Nozzle	1976-on
23	063.149	2	Desmister, outlet	MKI, II, III
	133.846	2	Desmister, outlet	MKIV, 1500
24	163.013	4	Washer, plain	
25	164.015	4	Washer, spring	
26	161.024	4	Nut	
27	135.302	1	Bracket, made from polished stainless steel	
28	063.378	1	Heater valve	MKI, II, III
	063.041	1	Heater valve	MKIV, 1500
29	162.046	2	Screw, water valve	
30	168.100	1	Seal, valve/bracket	
31	161.024	2	Nut	
32	164.015	2	Washer, spring	
33	172.056	1	Trunion	
34	162.135	1	Screw	
35	063.215	1	Adaptor, cyl.head	
36	172.026	6/10	Clip	
37	062.055	1	HOSE, pipe to heater	
38	062.054	1	HOSE, adaptor cylinder head to valve	MKI, II, III, IV to FH59688E
	062.156	1	HOSE, pipe inlet manifold to valve	MKIV, 1500 from FH59688E
39	062.080	1	HOSE, valve/adaptor to heater	
40	063.216	1	Control cable	MKI, 1962-'63
	063.217	1	Control cable	MKI, II, III 1963 on
41	161.473	1	Bezel	MKI, II, III
42	083.793	1	Knob, heat	MKI, II, III
	122.180	1	Grommet, cable	MKI, II, III
43	083.088	1	Switch, blower	MKI, II, III
44	083.609	1	Bezel, switch	MKI, II, III

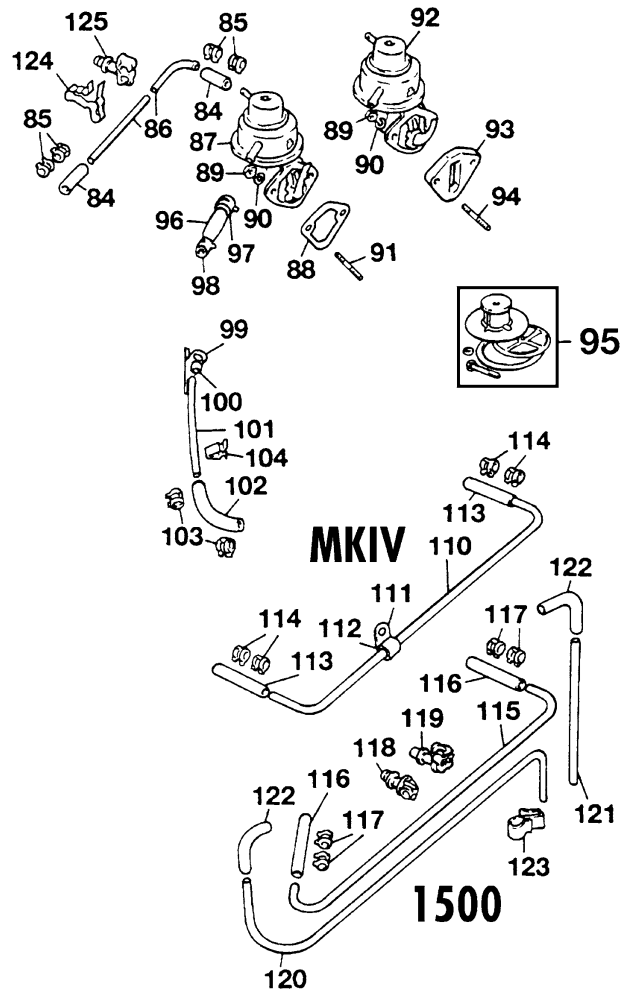
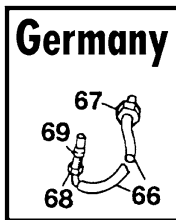
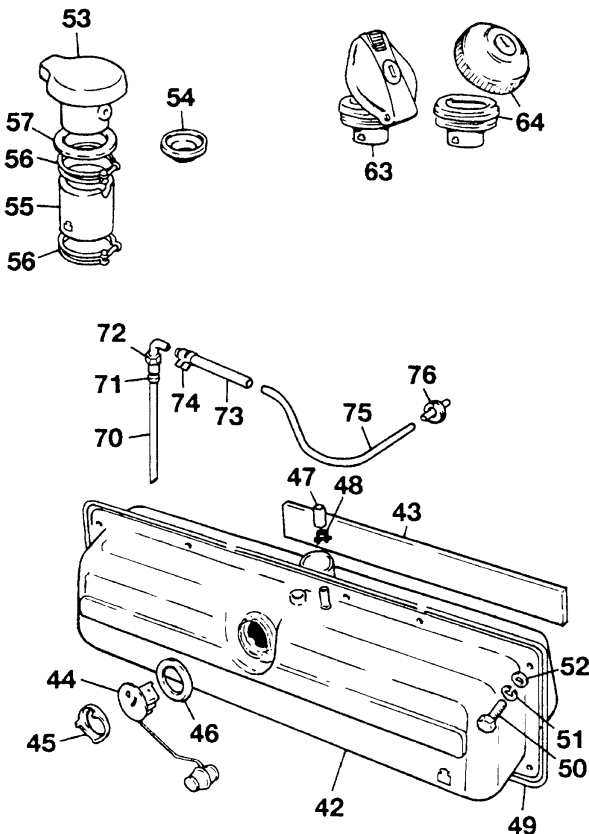
ILL N°	PART N°	QTY	DESCRIPTION	APPLICATION
48	063.220	1	Seal, bulkhead	MKIII
49	063.208	2	Seal	MKIII
50	063.221	2	Seal	MKIII
51	063.162	1	Matrix, heater	MKIII
53	083.824	1	Resistor	MKIV, 1500
54	063.209	1	Motor, fan	MKIV, 1500
56	063.126	1	Fan	MKIV, 1500
57	162.786	4	Screw, motor to box	MKIV, 1500
58	063.220	1	Seal	MKIV, 1500
59	063.162	1	Matrix, heater	MKIV, 1500
60	063.208	2	Seal	MKIV, 1500
61	063.221	2	Seal	MKIV, 1500
62	162.515	4	Screw	MKIV, 1500
63	164.012	4	Washer, spring	MKIV, 1500
64	163.153	4	Washer	MKIV, 1500
66	063.222	1	Fascia panel	MKIV to FH50000
	063.223	1	Fascia panel	MKIV, 1500 FH50001
	063.224	1	Bracket, panel	MKIV, 1500
67	084.137	1	Bulb & holder	MKIV, 1500
	084.130	1	Bulb only	MKIV, 1500
	084.137	1	Bulb holder	MKIV, 1500
	063.225	1	Clip & mask	MKIV, 1500
68	063.226	1	Lever control, water	MKIV, 1500
69	163.154	1	Spacer, thin	MKIV, 1500
70	163.155	2	Spacer, thick	MKIV, 1500
71	063.150	1	Knob	MKIV, 1500
72	162.862	1	Screw	MKIV, 1500
73	172.056	2	Trunnion	MKIV, 1500
74	162.135	2	Screw, trunnion	MKIV, 1500
75	162.065	2	Screw	MKIV, 1500
76	164.012	2	Washer, spring	MKIV, 1500
77	163.010	2	Washer, plain	MKIV, 1500
78	063.227	1	Cable, valve control	MKIV, 1500
79	063.228	1	Tube, cable cover	MKIV, 1500
80	122.180	1	Grommet, cable	MKIV, 1500
81	172.511	1	Cable tie	MKIV, 1500
82	172.023	3	Clamp, cable	MKIV, 1500
83	164.015	3	Washer, spring	MKIV, 1500
84	162.051	3	Screw	MKIV, 1500
85	063.211	1	Control lever, blower	MKIV, 1500
86	163.155	1	Spacer, thick	MKIV, 1500
87	162.065	2	Screw	MKIV, 1500
88	164.012	2	Washer, spring	MKIV, 1500
89	163.010	2	Washer, plain	MKIV, 1500
90	063.151	1	Knob, air & blower	MKIV, 1500
91	162.862	1	Screw	MKIV, 1500
92	063.229	1	Cable, air control	MKIV, 1500
93	063.395	1	Flens heater	



MK I, II, III



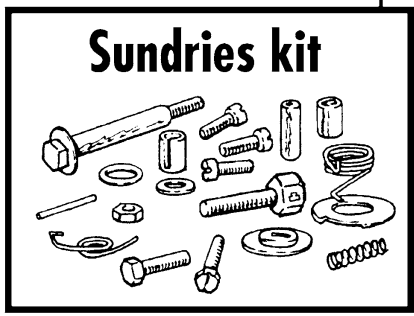
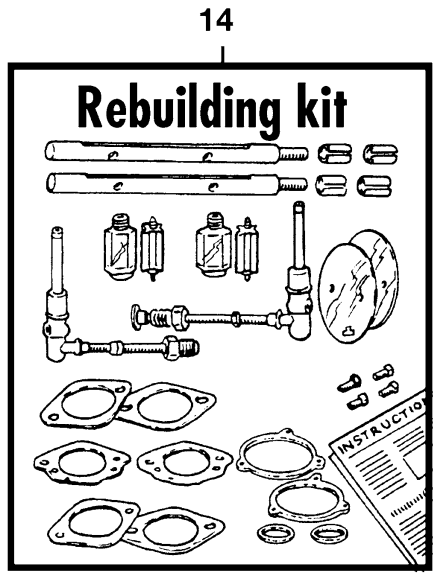
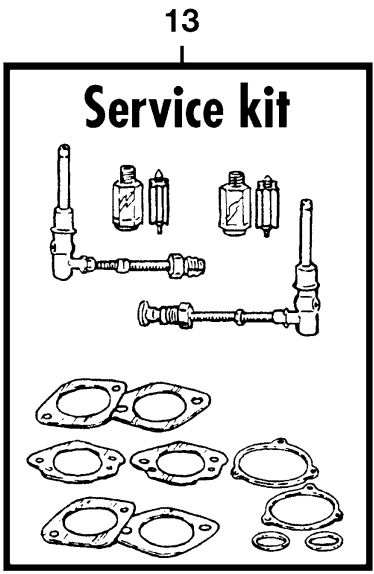
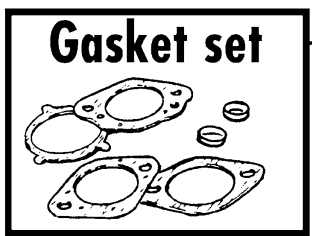
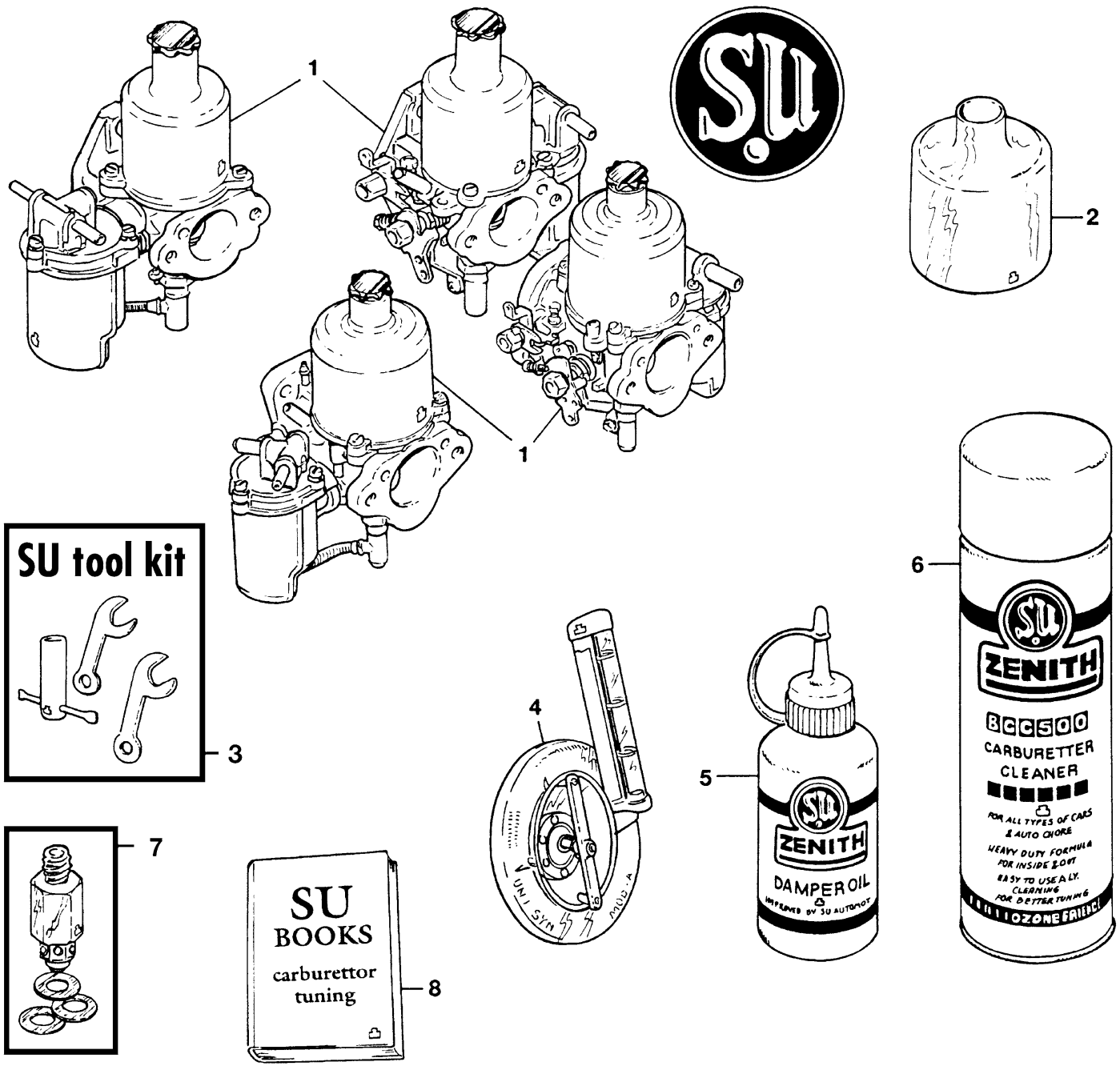
MK IV & 1500

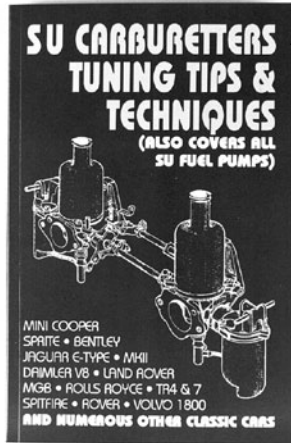




ILL N°	PART N°	QTY	DESCRIPTION	APPLICATION
1	100.025	1	FUEL TANK	MK1, II, III
2	121.089	2	Felt strip	MK1, II, III
3	083.877	1	Sender unit	MK1, II, III
4	101.059	1	Locking ring	MK1, II, III
5	101.060	1	Sealing ring	MK1, II, III
6	162.005	5	Screw	MK1, II, III
7	163.008	5	Washer, plain	MK1, II, III
8	164.002	5	Washer, spring	MK1, II, III
9	101.015	1	Hose	MK1, II, III
10	172.115	2	Clip	MK1, II, III
11	101.289	1	Seal, neck to body	MK1, II, III
12	101.283	1	Filler cap ass.	MK1, II, III
13	101.299	1	Seal into filler cap	MK1, II, III
14	141.238	1	Filler cap & lock	Aftermarket
15	141.092	1	Filler cap with lock and neck	Aftermarket
16	101.466	1	Fuel pipe, tank incl. ill 18, 19	MK1, II, III
17	122.193	1	Grommet	MK1, II, III
18	161.470	1	Nut, tubing	MK1, II, III
19	161.405	1	Sleeve, olive	MK1, II, III
20	161.405	1	Sleeve, olive	MK1, II, III
21	161.471	1	Nut, tubing 1/4"	MK1, II, III
22	101.467	1	Fuel pipe, feed incl. 20, 21	MK1, II, III
23	102.519	1	Connector, hose	MK1, II, III
24	101.468	1	Pipe, to pump incl. 25, 26	MK1, II, III
25	161.470	1	Nut, tubing	MK1, II, III
26	161.405	1	Olive	MK1, II, III
27	101.148	1	FUEL PUMP 'A' = 30 mm (Pump to camshaft= 'A')	MK1, II, III
28	016.394	1	Gasket	MK1, II, III
29	161.002	2	Nut	MK1, II, III
30	167.116	2	Stud	MK1, II, III
31	101.469	1	Tube, pump/carb., incl. ill 32, 33	MK1, II, III
32	161.470	1	Nut, tubing	MK1, II, III
33	161.405	1	Sleeve, olive	MK1, II, III
34	135.332	1	Bracket, tube supporting to w/pump	MK1, II, III
35	122.180	1	Grommet in bracket	MK1, II, III
36	101.456	1	Tube, fuel pipe to front carburettor	MK1, II, III
37	101.470	1	Pipe, front to rear carburettor	MK1, II, III
38	102.373	2	Tube	MK1, II, III
39	172.397	1	Clip, fuel pipe to air cleaner	MK1, II, III
40	122.180	1	Grommet in bracket	MK1, II, III
41	101.471	1	Repair kit, AC pump	MK1, II, III
42	100.026	1	Fuel tank	MKIV to FH50000
	100.027	1	Fuel tank	MKIV, 1500
43	121.089	2	Felt, strip	MKIV, 1500
44	083.877	1	Sender unit	MKIV
	083.132	1	Sender unit	1500
45	101.059	1	Locking ring	MKIV, 1500
46	101.060	1	Sealing ring	MKIV, 1500
47	101.472	1	Cap, blanking, vent pipe	MKIV, 1500
48	172.442	1	Clip	MKIV, 1500
49	121.357	1	Finisher, tank edge	MKIV, 1500
50	162.005	5	Screw	MKIV, 1500
51	164.002	5	Washer, spring	MKIV, 1500
52	163.008	5	Washer, plain	MKIV, 1500
53	141.237	1	Filler cap ass.	MKIV, 1500
54	101.299	1	Seal, VENTED	MKIV, 1500
55	101.473	1	Hose	MKIV, 1500
56	172.115	2	Clip	MKIV, 1500

ILL N°	PART N°	QTY	DESCRIPTION	APPLICATION
57	101.289	1	Seal, neck to body	MKIV, 1500
63	141.238	1	Filler cap, locking, aftermarket, vented	MKIV, 1500
64	141.092	1	Filler cap, locking, with neck, vented	MKIV, 1500
66	101.476	1	Pipe, tank (incl. 68/69)	Germany
67	122.193	1	Grommet	Germany
68	161.470	1	Nut, tubing	Germany
69	161.405	1	Olive	Germany
70	101.477	1	Fuel pipe (incl. 71/72)	MKIV, 1500
71	102.097	1	Olive	MKIV, 1500
72	161.380	1	Nut, tube	MKIV, 1500
73	101.478	1	Tube, connector, 1/4" I.D.	MKIV, 1500
74	172.175	2	Clip	MKIV, 1500
75	101.479	1	Pipe, fuel feed	MKIV, 1500
76	122.193	1	Grommet	MKIV, 1500
84	101.302	2	Tube, connection, 5/16" I.D.	MKIV, 1500
85	172.175	4	Clip 1/8" ID	MKIV, 1500
86	101.483	1	Pipe, fuel feed	MKIV, 1500
87	101.149	1	FUEL PUMP 'A' = 30 mm 'A' = pump to camshaft, fit this pump WITHOUT using a 13 mm spacer !!!	MKIV, 1500 to Eng. FM9317
88	016.081	1	Gasket	MKIV, 1500
89	161.002	2	Nut	MKIV, 1500
90	164.002	2	Washer, spring	MKIV, 1500
91	167.116	2	Stud, fuel pump	MKIV, 1500 to Eng. FM9317
92	101.082	1	FUEL PUMP 'A' = 43 mm 'A' = pump to camshaft, fit this pump using a 13 mm spacer !!	1500 from Eng. FM9317
93	016.082	1	Spacer 13 mm	1500 from Eng. FM9317
94	167.226	2	Stud, fuel pump	1500 from Eng. FM9317
95	101.297	1	Repair kit, pump	MKIV, 1500
96	101.478	1	Tube	to FH59688E
	101.486	1	Tube	from FH59689E
97	172.175	1	Clip 1/2" ID	MKIV, 1500
98	172.174	1	Clip 7/16" ID	MKIV, 1500
99	101.300	1	Bracket, pipe/W.pump	MKIV, 1500
100	122.180	1	Grommet in bracket	MKIV, 1500
101	101.488	1	Pipe, pump to carb.	
102	102.373	1	Tube connector, 1/4" I.D.	
103	172.175	1	Clip 1/2" I.D.	MKIV, 1500
	172.174	1	Clip 7/16" I.D.	MKIV, 1500
104	172.397	3	Clip, vacuum pipe to fuel tube	MKIV, 1500
110	101.310	1	Tube, carb./carb.	MKIV
111	172.508	2	Clip, pipe to filter	MKIV
112	122.254	2	Grommet in clip	MKIV
113	102.373	2	Tube, connector, 1/4" I.D.	MKIV
114	172.442	4	Clip	MKIV
115	101.309	1	Pipe, carb./carb.	1500
116	101.308	2	Tube, connection, 3/16" I.D.	1500
117	172.442	4	Clip	1500
118	172.177	1	Clip, single 1/4" pipe	1500 to FM105277E
119	172.509	1	Clip, twin 1/4" - 5/16"	1500 from FM105278E
120	062.015	1	Pipe, overflow-rear	1500 from FM105278E
121	101.492	1	Pipe, overflow-front	1500 from FM105278E
122	101.308	2	Connector, 3/16" I.D.	1500 from FM105278E
123	172.510	1	Clip, overflow pipe	1500 from FM105278E
124	172.297	4	Clip, fuel pipe	MKIV, 1500
125	172.177	2	Clip, fuel pipe	MKIV, 1500

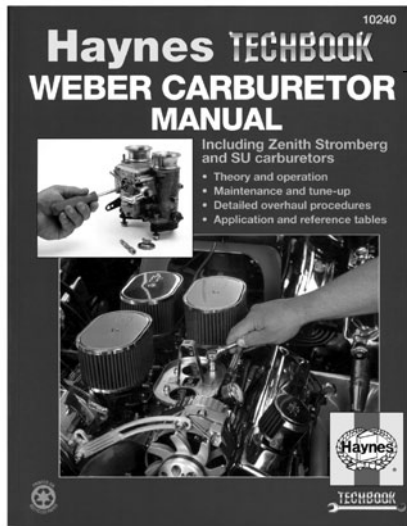




8

SU Carburettors, tuning tips and techniques

Most mechanics and enthusiasts struggle when setting the twin SU carburettors correctly. This book and a bit of practice will solve the problem. It is very important for your engine that the carburettor tuning is correct. This book also covers all SU fuel pumps.



15

Haynes Weber, Stromberg and SU carburetors

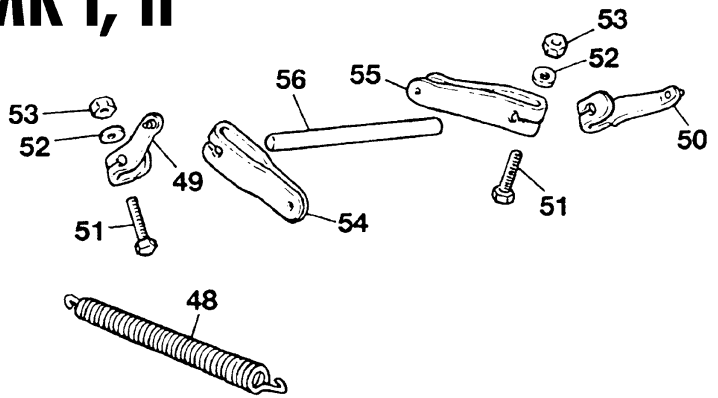
This book covers Weber, Stromberg and SU carburetors with excellent Step-by-step explanations and illustrations.

ILL N°	PART N°	QTY	DESCRIPTION	APPLICATION
1	102.544	1	Pair HS2 Carburettors AUC983	MKI, II, 1962-'66
	102.541	1	Pair HS2 Carburettors AUD257 or AUD275	MKIII, 1966-'70
	102.452	1	Pair HS2 Carburettors AUD441	MKIV, 1970-'71
	102.545	1	Pair HS2 Carburettors AUD517	MKIV, 1972
	102.546	1	Pair HS2 Carburettors AUD580	MKIV, 1973
	102.547	1	Pair HS2 Carburettors AUD624	MKIV, 1973
	102.548	1	Pair HS4 Carburettors AUD665	1500, 1974-'76
	102.549	1	Pair HS4 Carburettors FZX1258	1500, 1976-'77
	102.550	1	Pair HS4 Carburettors FZX1122 or FZX1327	1500, 1977-'80
	2	185.048	2	Dash pot for HS2
185.016		2	Dash pot for HS4	1500
3	102.302	1	Tool Kit (3 piece)	
	200.573	1	Tool kit (8 piece)	
4	200.572	1	Synchroniser	
5	330.070	1	125 ml Carb. oil	
6	198.015	1	Carburettor cleaner spray. For maintaining and restoration.	
7	102.216	2	GROSE JET, improvement for the standard needle & seat. The efficient fuel cut-off is based on a double ball system.	

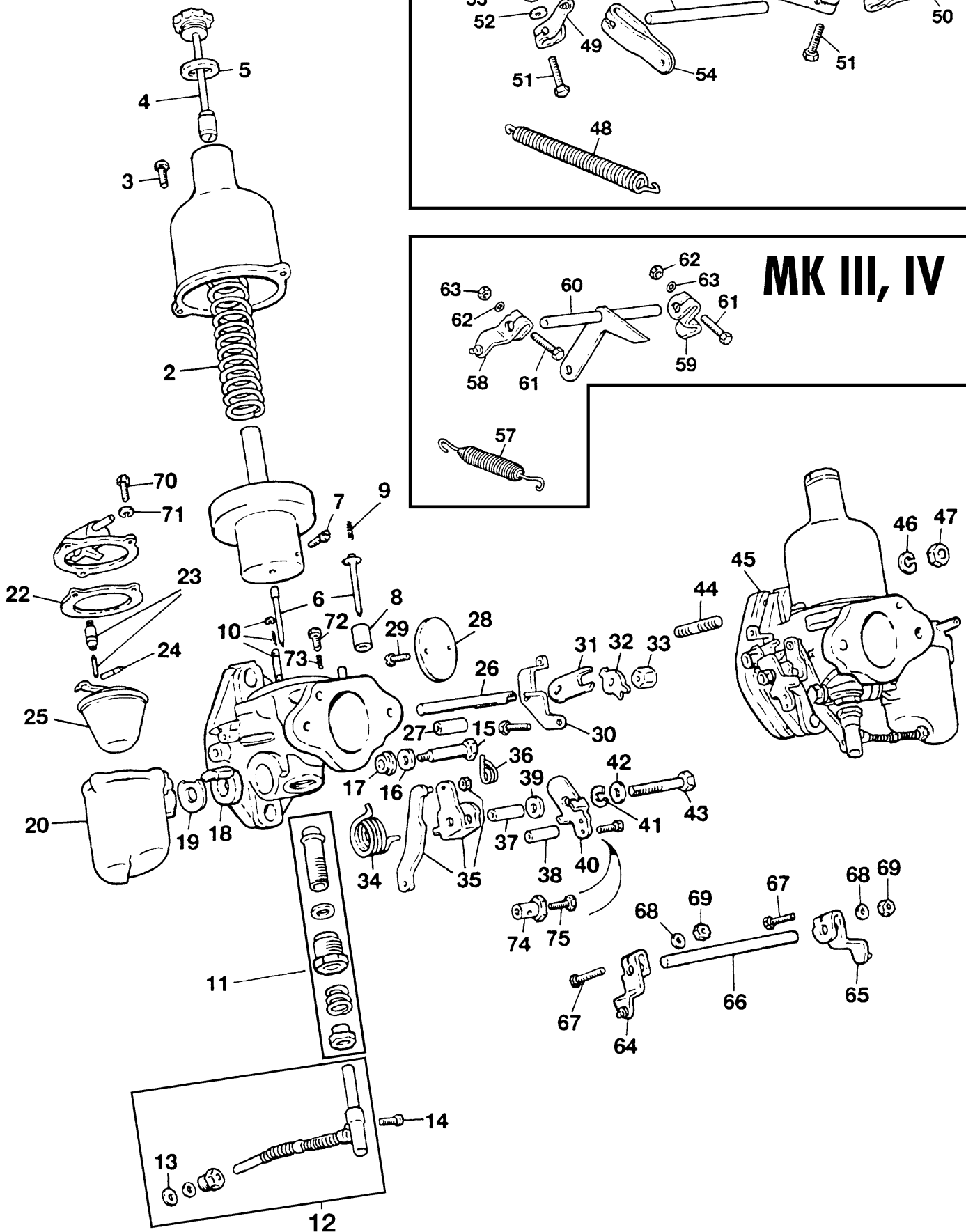
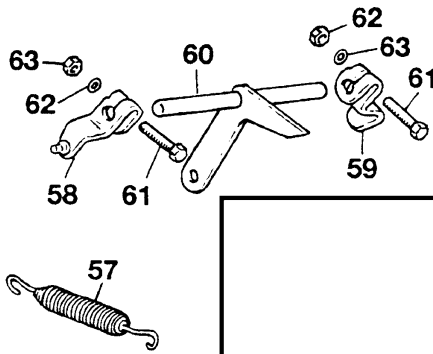
ILL N°	PART N°	QTY	DESCRIPTION	APPLICATION	
8	190.225	1	Book, SU Tuning tips		
	190.036	1	Book, SU workshop manual, Haynes		
11	102.551	2	Gasket set, one HS2	MKI, II, III, IV	
	102.552	2	Gasket set, one HS4	1500	
12	102.259	2	Sundries kit, one carb.	MKI, II, III, IV, 1500	
13	102.225	1	Service kit, pair carb. HS2 1.1/4"	MKI, II, III, IV	
	102.480	1	Service kit, front HS4	1500 AUD665F	
	102.540	1	Service kit, rear HS4	1500 AUD665R	
	102.553	1	Service kit, front HS4	1500 FZX1258F	
	102.554	1	Service kit, rear HS4	1500 FZX1258R	
	102.226	1	Service kit, pair HS4	1500 FZX1327	
	14	REBUILDING KITS These kits contain the most common parts to start renewing carburettors. Not included are the needles. See next pages for more needle information.			
		102.227	1	Rebuilding kit, pair HS2	MKI, II, III, IV
		102.437	1	Rebuilding kit, pair HS4	1500 AUD665
		102.555	1	Rebuilding kit, pair HS4	1500 FZX1258
102.228		1	Rebuilding kit, pair HS4	1500 FZX112 or FZX1327	
15	190.428	1	Haynes Weber, Stromberg & SU carburettors		



MK I, II



MK III, IV

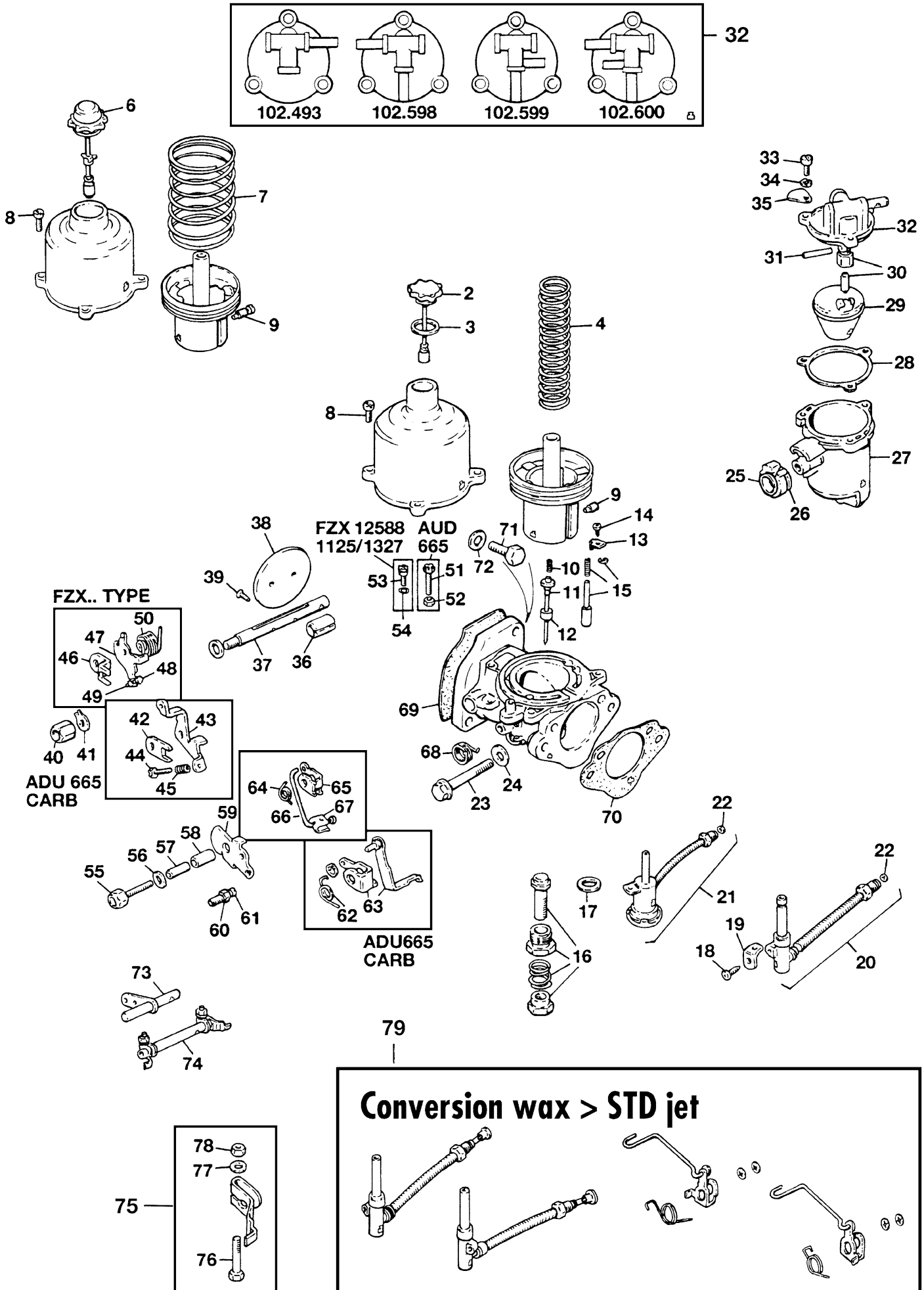




Polished aluminium dash pot
1.1/4" SU HS2

ILL N°	PART N°	QTY	DESCRIPTION	APPLICATION
2	102.010	2	Spring	
3	102.012	4	Screw, chamber	
4	102.008	2	Damper assembly	
5	102.009	2	Washer, fibre	
6	102.219	2	Needle AN fix std	MKI, II
	102.471	2	Needle EB fix weak	MKI, II
	102.475	2	Needle H6 fix rich	MKI, II
	102.221	2	Needle DD fix	MKIII 1967- '68
	102.220	2	Needle BO fix	MKIII 1968- '70
	102.222	2	Needle AAN swing	MKIV 1970- '73
7	102.007	2	Screw, needle lock, 10mm overall length	MKI, II, III
	102.383	2	Screw, needle lock, 18mm overall length	MKIV
8	102.560	2	Needle guide, swing	MKIV
9	102.378	2	Spring	MKIV
10	102.003	2	Pin kit, lifting	
11	102.561	2	Jet bearing kit	
12	102.157	1	Front jet	
	102.158	1	Rear jet	
13	102.440	2	Rubber seal	
14	102.562	2	Screw, jet/lever	
15	102.122	2	Bolt, chamber mounting	MKI, II, III
	102.563	2	Bolt, chamber mounting	MKIV
16	102.121	2	Washer, plain	MKI, II, III
17	102.120	2	Washer, rubber	
18	102.380	1	Grommet, ochre/soft	front carburetter
	102.268	1	Grommet, brown/hard	front carburetter
	102.379	1	Grommet, purple/soft	rear carburetter
	102.267	1	Grommet, green/hard	rear carburetter
19	102.118	2	Washer, support	
20	102.564	2	Chamber, float	
22	102.237	2	Gasket	
23	102.072	2	Needle & seat, STD	
	102.156	2	Needle & seat with VITON head	
24	102.074	2	Pin	
25	102.107	2	Float	
26	102.518	2	Shaft, standard size, use with bush 102.113	
27	102.382	4	Two bushes to repair to standard size	
28	102.208	2	Disc 1.1/4"	
29	102.050	4	Screw, disc	
30	102.566	1	Lever, throttle, front	MKI, II
	102.567	1	Lever, throttle, rear	MKI, II
	102.568	1	Lever, throttle, front	MKIII
	102.569	1	Lever, throttle, rear	MKIII
31	102.115	2	Lever, lost motion	
32	102.570	2	Washer, tab	
33	102.116	2	Nut, lever	
34	102.145	1	Spring, front jet	

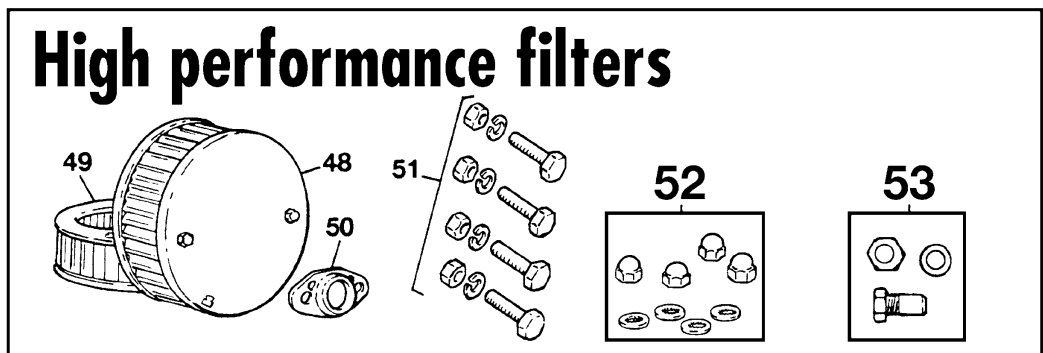
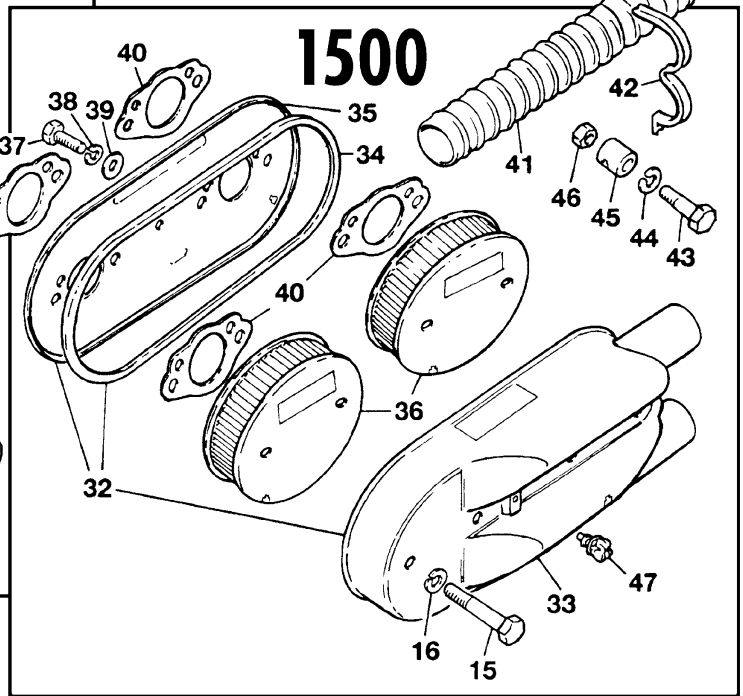
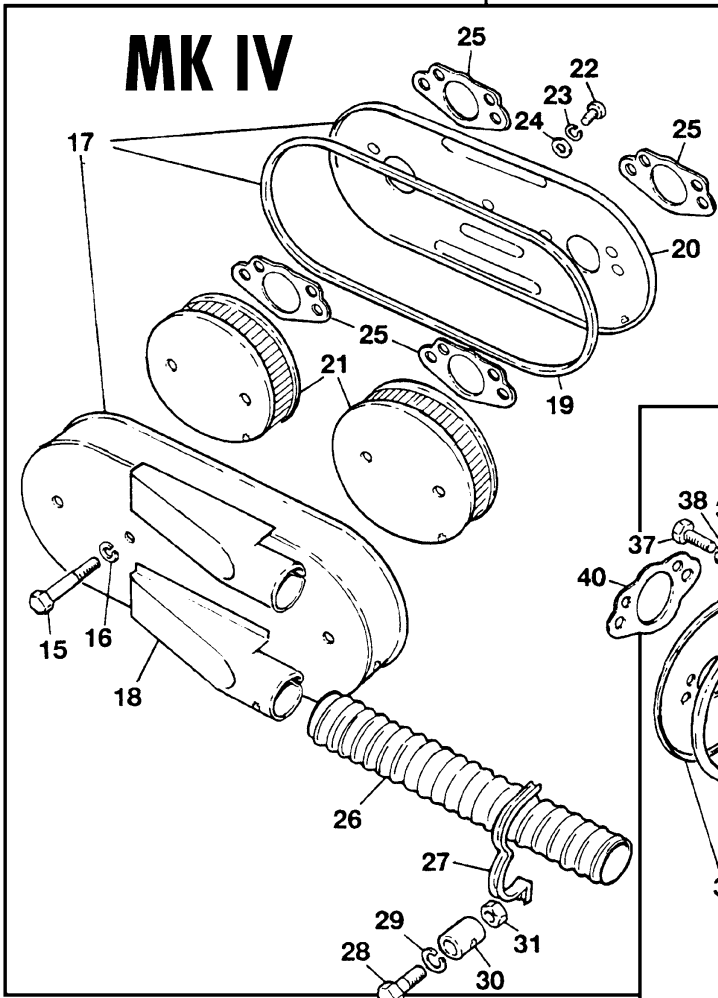
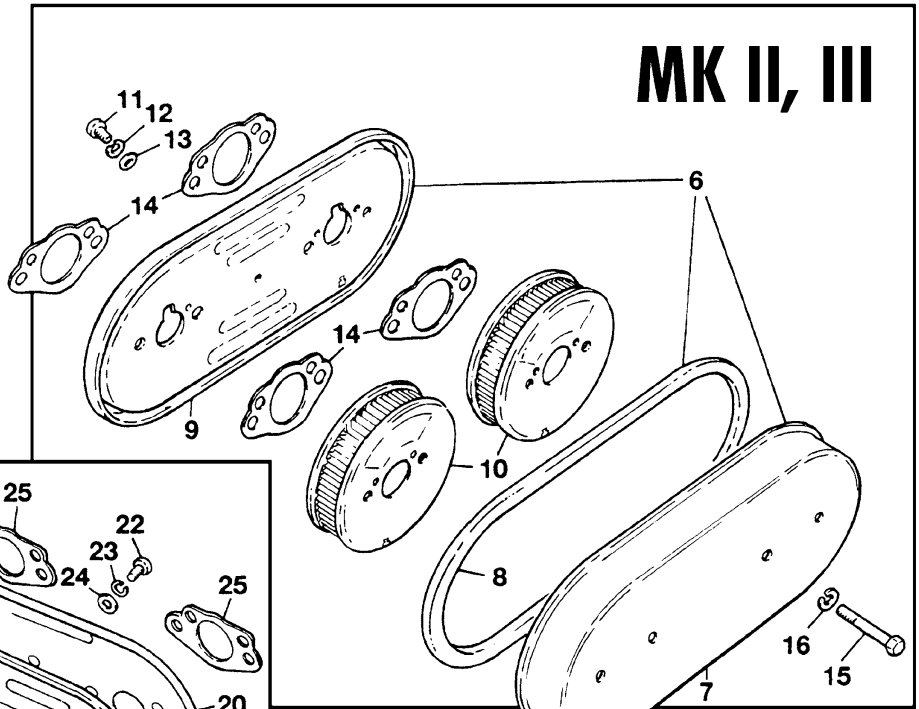
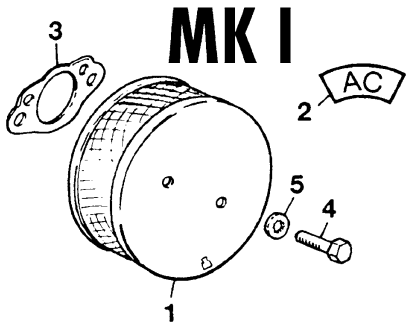
ILL N°	PART N°	QTY	DESCRIPTION	APPLICATION
	102.130	1	Spring, rear jet	
35	102.571	1	Lever & link, front	
	102.572	1	Lever & link, rear	
36	102.144	1	Return spring, front	
	102.131	1	Return spring, rear	
37	102.573	2	Distance tube, outer	
38	102.134	2	Distance tube, inner	
39	102.574	2	Washer, distance	
40	102.575	1	Lever, front	
	102.576	1	Lever, rear	
41	102.577	2	Washer, spring	
42	102.578	2	Washer, spacing	
43	102.136	2	Bolt	
44	167.013	4	Stud UNF/UNC	
45	016.247	2	Gasket, spacer 3mm	MKI, II, III
	016.290	A/R	Gasket, paper	MKIV
46	164.006	4	Washer, spring	
47	161.026	4	Nut	
48	171.049	2	Spring, throttle	MKI, II
49	102.149	1	Lever, left	MKI, II
50	102.148	1	Lever, right	MKI, II
51	102.048	4	Bolt - 2BA	MKI, II
52	102.147	4	Washer, plain	MKI, II
53	161.072	4	Nut	MKI, II
54	102.580	1	Lever, throttle LH	MKI, II
55	102.581	1	Lever, throttle RH	MKI, II
56	102.582	1	Rod, connection	MKI, II
57	171.029	1	Spring, throttle	MKIII, IV
58	102.149	1	Lever, throttle LH	MKIII, IV
59	102.148	1	Lever, throttle RH	MKIII, IV
60	102.583	1	Rod, connection	MKIII, IV
61	102.048	2	Bolt	MKIII, IV
62	102.147	2	Washer, plain	MKIII, IV
63	161.072	2	Nut	MKIII, IV
64	102.149	1	Lever, LH choke	
65	102.148	1	Lever, RH choke	
66	102.584	1	Rod, connecting	
67	102.048	2	Bolt	
68	102.147	2	Washer, plain	
69	161.072	6	Nut	
70	102.012	6	Screw	
71	164.015	6	Washer, spring	
72	102.110	2	Screw	
73	102.045	2	Spring	
74	172.054	1	Cable Fastener	
75	162.271	1	Screw	
76	185.048	1	Polished aluminium dash pot	





ILL N°	PART N°	QTY	DESCRIPTION	APPLICATION
2	102.008	2	Damper	AUD665 carb.
3	102.009	2	Washer, fibre	AUD665 carb.
4	102.010	2	Spring	AUD665 carb.
6	102.588	2	Damper assembly	FZX1122 carb.
	102.527	2	Damper assembly	FZX1327 carb.
7	102.436	2	Spring	FZX1122/1327
8	102.012	6	Screw	
9	102.559	2	Screw, needle locking	
10	102.378	2	Spring	
11	102.223	2	Needle ABT	AUD665 or FZX1258 carb.
	102.224	2	Needle ADN	FZX1122 or FZX1327 carb.
12	102.560	2	Needle guide	
13	102.589	2	Piston guide	
14	102.590	2	Screw	
15	102.591	2	Piston lifting kit	
16	102.592	2	Jet bearing kit	AUD665 carb.
	102.593	2	Jet bearing kit	FZX... carb type.
17	102.124	2	Washer	
18	102.594	2	Screw, jet to bracket	AUD665 carb.
19	102.595	1	Bracket, front jet	AUD665 carb.
	102.596	1	Bracket, rear jet	AUD665 carb.
20	102.159	1	Jet, front	AUD665 carb.
	102.160	1	Jet, rear	AUD665 carb.
21	102.161	1	Jet, front wax type	FZX1258 carb.
	102.162	1	Jet, rear wax type	FZX1258 carb.
	102.163	1	Jet, front wax type	FZX1122/1327 carb.
	102.164	1	Jet, rear wax type	FZX1122/1327 carb.
22	102.440	2	Seal, rubber	
23	102.563	2	Bolt, chamber mount.	
	102.122	2	Bolt, alternative	
	102.121	2	Washer, plain	
24	102.120	2	Washer, rubber	
25	102.268	1	Front adaptor, rubber	
	102.267	1	Rear adaptor, rubber	
26	102.118	2	Washer, support	
27	102.597	2	Float chamber	
28	102.237	2	Gasket	
29	102.107	2	Float	
30	102.072	2	Needle & seat, standard	
	102.156	2	Needle & seat, Viton	
	102.216	2	Grose Jet, improved type, double ball syst.	
31	102.074	2	Pin, float lever	
32	102.493	1	Float lid, front without overflow	AUD665/FZX1258 carb.
	102.598	1	Float lid, rear, without overflow	AUD665/FZX1258 carb.
	102.599	1	Float lid, front, with overflow conn.	FZX1122/FZX1327 carb.
	102.600	1	Float lid, rear, with overflow conn.	FZX1122/FZX1327 carb.
33	102.012	6	Screw	
34	164.015	6	Washer, spring	
36	102.348	4	Repair bush, to STD dia	
37	102.112	2	Throttle shaft, STD	
38	102.089	2	Disc 1.1/2"	AUD665 carb.
	102.601	2	Disc with valve	FZX1258 carb.
	102.602	2	Disc with valve	FZX1122/FZX1327 carb.
39	102.050	4	Screw, disc fitting	
40	102.116	2	Nut	

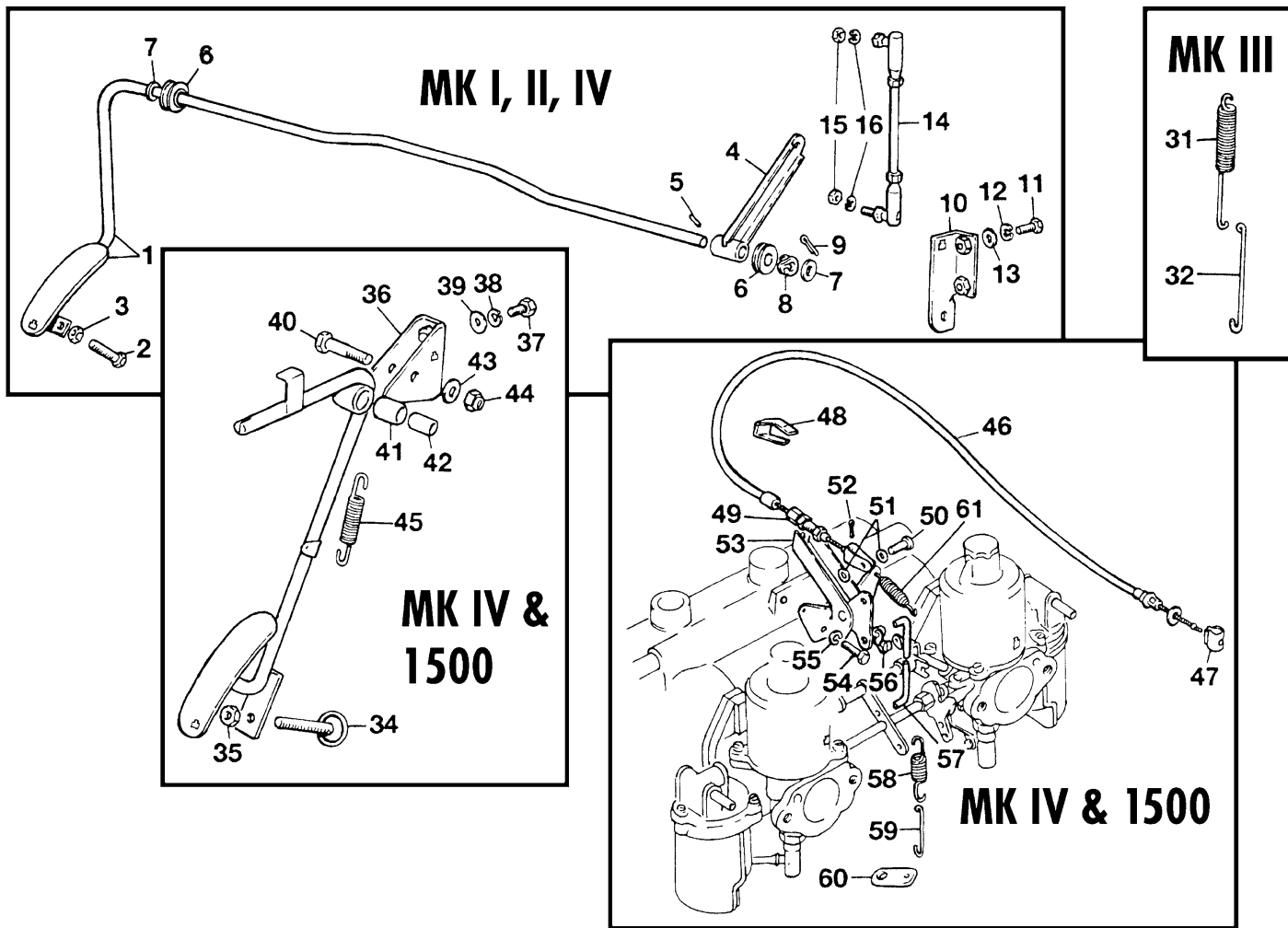
ILL N°	PART N°	QTY	DESCRIPTION	APPLICATION
41	102.570	2	Lock tab washer	
42	102.603	2	Lever, lost motion	AUD665 carb.
43	102.604	1	Lever, front throttle	AUD665 carb.
	102.605	1	Lever, rear throttle	AUD665 carb.
44	102.110	2	Screw, fast idle adj.	AUD665 carb.
45	102.045	2	Spring	AUD665 carb.
46	102.115	2	Lever, lost motion	FZX.. carb.
47	102.606	1	Lever, front throttle	FZX.. carb.
	102.607	1	Lever, rear throttle	FZX.. carb.
48	102.110	2	Screw	FZX.. carb.
49	102.057	2	Spire nut	FZX.. carb.
50	102.608	1	Spring, front throttle	
	102.609	1	Spring, rear throttle	
51	102.110	2	Screw, idle & fast idle	AUD665 carb.
52	102.057	2	Nut, locking	AUD665 carb.
	102.045	2	Alternative, screw+spring	AUD665 carb.
53	102.610	2	Screw idle & fast idle	FZX.. carb.
54	102.611	2	'O' Ring	FZX.. carb.
55	102.136	2	Pivot bolt	
56	102.133	2	Washer	
57	102.134	2	Distance tube, inner	
58	102.573	2	Distance tube, outer	
59	102.612	1	Choke lever, front	
	102.613	1	Choke lever, rear	
60	172.054	1	Trunnion	
61	162.271	1	Screw	
62	102.131	1	Spring, choke, front	AUD665 carb.
	102.144	1	Spring, choke, rear	AUD665 carb.
63	102.614	1	Lever & jet link, front	AUD665 carb.
	102.615	1	Lever & jet link, rear	AUD665 carb.
64	102.131	1	Spring, choke front, outer	FZX.. carb.
	102.144	1	Spring, choke rear, outer	FZX.. carb.
65	102.616	1	Lever, front	FZX.. carb.
	102.617	1	Lever, rear	FZX.. carb.
66	102.618	1	Rod, link, front	FZX.. carb.
	102.619	1	Rod, link, rear	FZX.. carb.
67	102.525	2	Clip, rod to jet	FZX.. carb.
68	102.130	1	Spring, choke, front, inner	
	102.145	1	Spring, choke, rear, inner	
69	016.065	4	Gasket, carb./manifold	
70	016.025	2	Gasket, carb./cleaner	
71	162.518	4	Screw, carb./manifold	
72	164.002	4	Washer, spring	
73	102.400	1	Rod and lever, throttle	
74	102.399	1	Rod, choke	
75	102.148	2	Lever ass.front	
	102.149	2	Lever ass.rear	
76	102.048	4	Screw	
77	102.147	4	Washer, plain	
78	161.072	4	Nut	
79	102.515	1	CONVERSION KIT : To convert FZX.. carb. with Wax jet type to the standard jet type. Gives choke control to the driver and also, standard jets are cheaper than wax jets.	
80	185.016	1	Dash pot 1 1/2" SU HS4, polished alu	Up to 1976
	185.374	1	Dash pot 1 1/2" SU HS4, chrome plated	1976 on





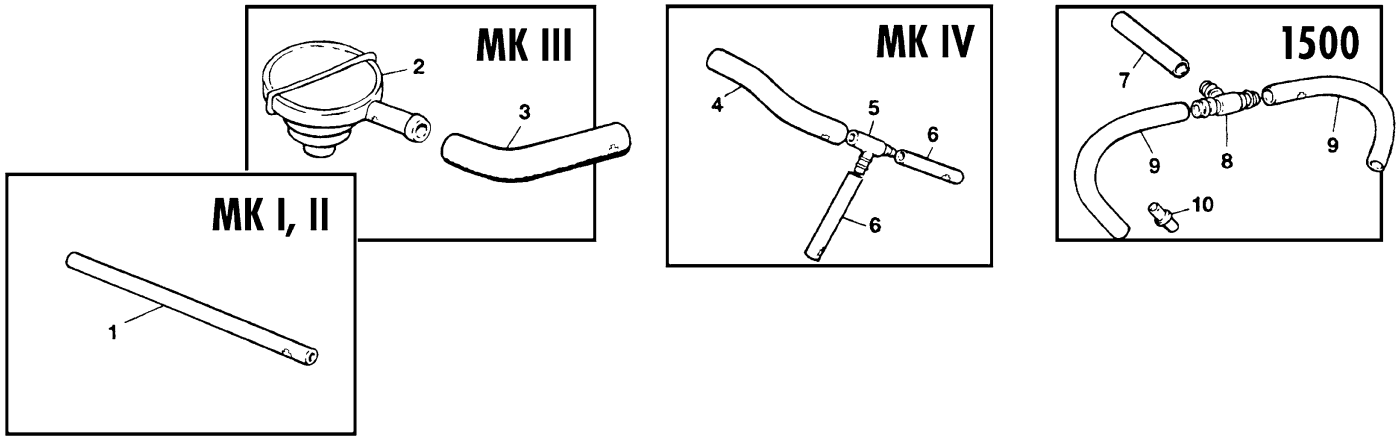
ILL N°	PART N°	QTY	DESCRIPTION	APPLICATION
1	101.083	2	AIR FILTER	MKI
2	085.173	2	Sticker, AC	MKI
3	016.291	2	Gasket	MKI
4	162.469	4	Bolt, UNC	MKI
5	164.002	4	Washer, spring	MKI
6	101.498	1	Filter box, less air filter elements	MKII
	101.499	1	Filter box, less air filter elements	MKIII
7	101.500	1	Front cover	MKII, III
8	101.374	1	Seal	MKII, III
9	101.501	1	Back plate	MKII
	101.502	1	Back plate	MKIII
10	101.083	2	AIR FILTER ELEMENT	MKII, III
11	162.076	1	Screw, back plate	MKII, III
12	164.012	1	Washer, spring	MKII, III
13	163.011	1	Washer, plain	MKII, III
14	016.291	4	Gasket	MKII, III
15	162.469	4	Bolt	MKII, III
16	164.002	4	Washer, spring	MKII, III
17	101.503	1	Filter box, less air filter elements	MKIV
18	101.462	1	Front cover	MKIV
19	101.374	1	Seal	MKIV
20	101.463	1	Back plate	MKIV
21	101.083	2	AIR FILTER ELEMENT, for HS2 1.1/4" carb.	MKIV
22	162.076	1	Screw	MKIV
23	164.012	1	Washer, spring	MKIV
24	163.011	1	Washer, plain	MKIV
25	016.291	4	Gasket	MKIV
26	101.344	2	Air hose	MKIV
27	172.512	1	Clamp	MKIV
28	162.208	1	Bolt	MKIV
29	164.012	1	Washer, spring	MKIV
30	101.504	1	Spacer	MKIV
31	161.019	1	Nut	MKIV

ILL N°	PART N°	QTY	DESCRIPTION	APPLICATION
31	161.019	1	Nut	MKIV
32	101.506	1	Filter box, less air filter elements	1500
33	101.507	1	Front cover	1500
34	101.374	1	Seal	1500
35	101.508	1	Back plate	1500
36	101.084	2	AIR FILTER ELEMENT	1500
37	162.076	1	Screw	1500
38	164.012	1	Washer, spring	1500
39	163.011	1	Washer, plain	1500
40	016.025	4	Gasket	1500
41	101.344	2	Air hose	1500
42	172.512	1	Clamp	1500
43	162.208	1	Bolt	1500
44	164.012	1	Washer, spring	1500
45	101.504	1	Spacer	1500
46	161.019	1	Nut	1500
47	172.177	1	Clip, single 1/4" pipe	
	172.509	1	Clip, twin 1/4" & 5/16"	
48	185.020	2	HIGH PERFORMANCE AIR FILTER ASSEMBLY	MKI, II, III, IV 1300cc 1.1/4" HS2 SU
	101.038	2	HIGH PERFORMANCE AIR FILTER ASSEMBLY	1500 1.1/2" HS4 SU
49	101.102	2	Replacement element	
50	101.230	2	Ram pipes, improving air flow inside the filter	1500 HS4 1.1/2"
51	162.096	4	Screw, filter fixing	
	163.001	4	Washer, plain	
	164.002	4	Washer, spring	
52	161.404	1	Spare 'D' nuts (4 pieces)	
53	101.422	1	Flange tube, to connect a breather hose.	
54	186.043	1	Cleaner for high performance elements	
55	186.042	1	Oil spray for high performance elements.	
56	101.102	1	Replacement filter	



ILL N°	PART N°	QTY	DESCRIPTION	APPLICATION
1	101.519	1	Pedal & Cross shaft	MKI
	101.520	1	Pedal & Cross shaft	MKII, III
2	162.577	1	Screw	MKI, II, III
3	161.002	1	Nut	MKI, II, III
4	101.521	1	Lever	MKI
	101.522	1	Lever	MKII, III
5	172.295	1	Dowel	MKI, II, III
6	101.207	2	Bearing, grommet	MKI, II, III
7	163.005	2	Washer, plain	MKI, II, III
8	164.044	1	Double spring washer	MKI, II, III
9	172.319	1	Pin	MKI, II, III
10	135.339	1	Bracket	MKI, II, III
11	162.076	2	Screw	MKI, II, III
12	164.012	2	Washer, spring	MKI, II, III
13	163.011	2	Washer, plain	MKI, II, III
14	101.415	1	Throttle rod	MKI, II, III
15	161.019	2	Nut	MKI, II, III
16	164.012	2	Washer, spring	MKI, II, III
17	171.049	1	Spring, throttle return	MKIII
32	102.621	1	Link, spring	MKIII
33	101.525	1	Accelerator pedal	MKIV, 1500
34	101.527	1	Pedal stop	MKIV, 1500
35	161.008	1	Nut	MKIV, 1500
36	101.529	1	Bracket	MKIV, 1500
37	162.076	2	Screw	MKIV, 1500
38	164.012	2	Washer, spring	MKIV, 1500
39	163.011	2	Washer, plain	MKIV, 1500

ILL N°	PART N°	QTY	DESCRIPTION	APPLICATION
40	162.008	1	Bolt	MKIV, 1500
41	101.022	1	Bush	MKIV, 1500
42	101.077	1	Spacer	MKIV, 1500
43	163.028	1	Washer, plain	MKIV, 1500
44	161.330	1	Nut, nylon lock	MKIV, 1500
45	171.035	1	Spring, pedal return	MKIV, 1500
46	101.100	1	Cable, accelerator	MKIV, 1500
47	105.037	1	Clip, cable/pedal	MKIV, 1500
48	172.514	1	Clip, cable retaining	MKIV, 1500
49	161.475	2	Nut, locking	MKIV, 1500
50	102.032	1	Clevis pin	MKIV, 1500
51	163.013	2	Washer, plain	MKIV, 1500
52	172.317	1	Split pin	MKIV, 1500
53	101.530	1	Bracket	MKIV
54	162.555	2	Screw	MKIV, 1500
55	164.012	2	Washer, spring	MKIV, 1500
56	102.532	2	Clip, rod retainer	MKIV, 1500
57	101.533	1	Link, rod	MKIV
	101.534	1	Link, rod	1500 to FM118389E
	101.535	1	Link, rod	1500 from FM118389E
58	171.049	1	Spring, throttle	MKIV
	171.048	1	Spring, throttle	1500
59	102.622	1	Link piece	MKIV, 1500
60	102.623	1	Bracket, link to exh. pipe nut	MKIV, 1500
61	171.029	2	Return spring Capstat carb. has no spring	MKIV, 1500 to FM53446E

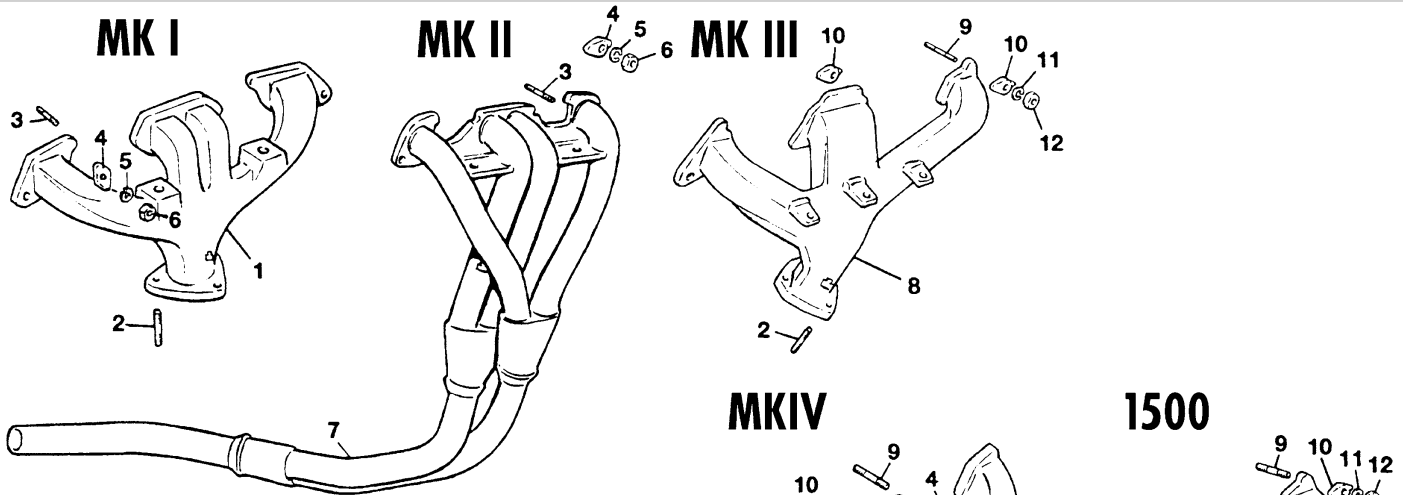


ILL N°	PART N°	QTY	DESCRIPTION	APPLICATION
1	104.078	1	Hose, rocker cover to air cleaner	MKI, II
2	104.079	1	Emission control valve	MKIII
	081.042	1	Clip, plate retaining	MKIII
	081.043	1	Plate, top	MKIII
	081.044	1	Diaphragm	MKIII
	081.045	1	Plugner	MKIII
	081.046	1	Spring	MKIII
	081.381	1	Stud locktite	MKIII

ILL N°	PART N°	QTY	DESCRIPTION	APPLICATION
3	104.080	1	Hose, rocker cover to valve	MKIII
4	104.081	1	Breather hose, rocker cover	MKIV
5	104.082	1	Piece	MKIV
6	101.478	2	Breather hose, to carburetter	MKIV
7	101.193	1	Hose, rocker cover to 'T'	1500
8	103.178	1	Piece	1500
9	101.296	2	Hose, 'T' piece to carb.	1500
10	011.539	2	Adaptor	1500

Triumph Spitfire 1962-1980

Exhaust manifold



ILL N°	PART N°	QTY	DESCRIPTION	APPLICATION
1	110.125	1	Exhaust manifold	MKI
2	167.116	3	Stud	
3	167.073	2	Stud, outer side	
	167.074	4	Stud, inner sides	
4	172.269	4	Clamp	
5	164.006	6	Washer, spring	
6	161.406	6	Nut, brass	
7	110.052	1	Tubular exhaust manifold made from stainless steel	MKII
8	110.126	1	Exhaust manifold	MKIII
9	167.073	2	Stud, outer side	
	167.074	5/6	Stud, inner side	
10	172.269	4	Clamp, upper, small	
	012.378	2	Clamp, lower, large	

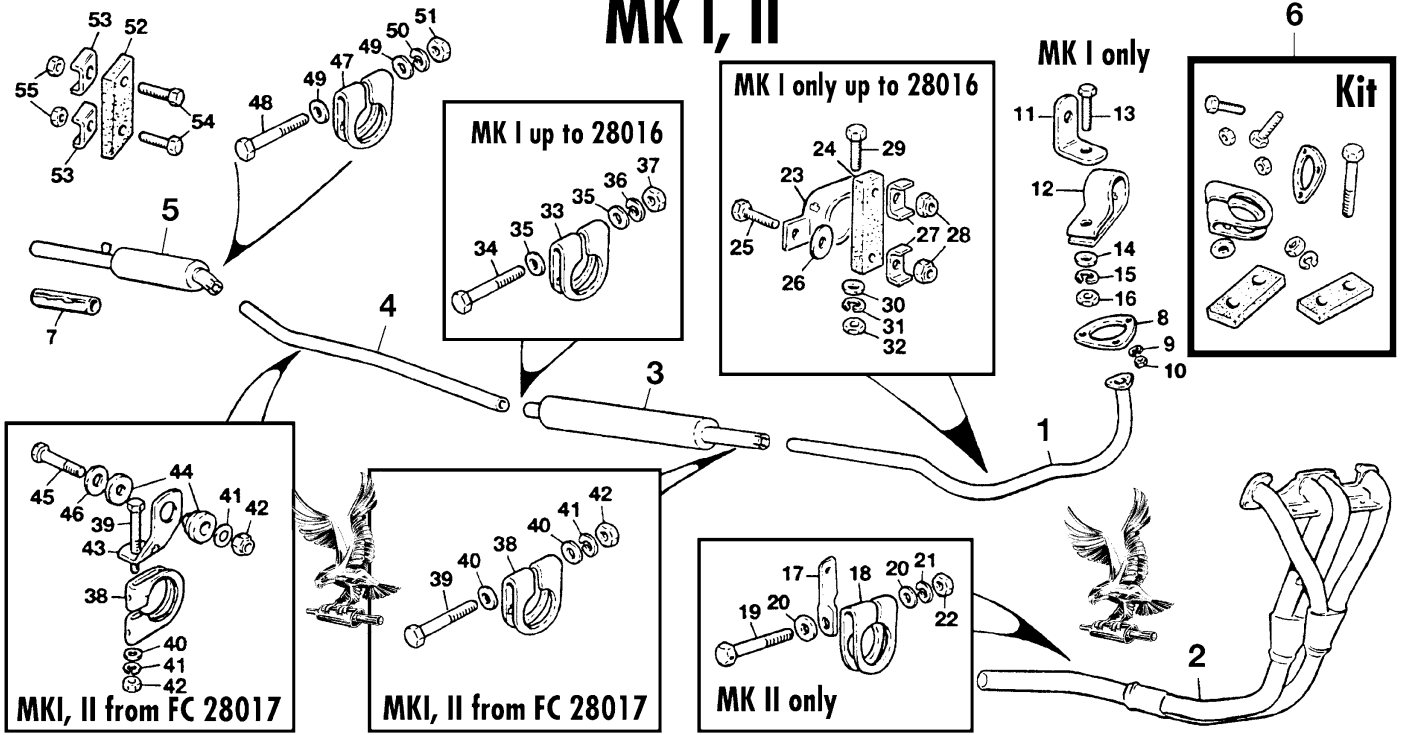
ILL N°	PART N°	QTY	DESCRIPTION	APPLICATION
11	164.006	8	Washer, spring	
12	161.406	8	Nut	
13	110.126	1	Exhaust manifold	MKIV
14	110.127	1	Exhaust manifold	1500
15	167.106	3	Stud	



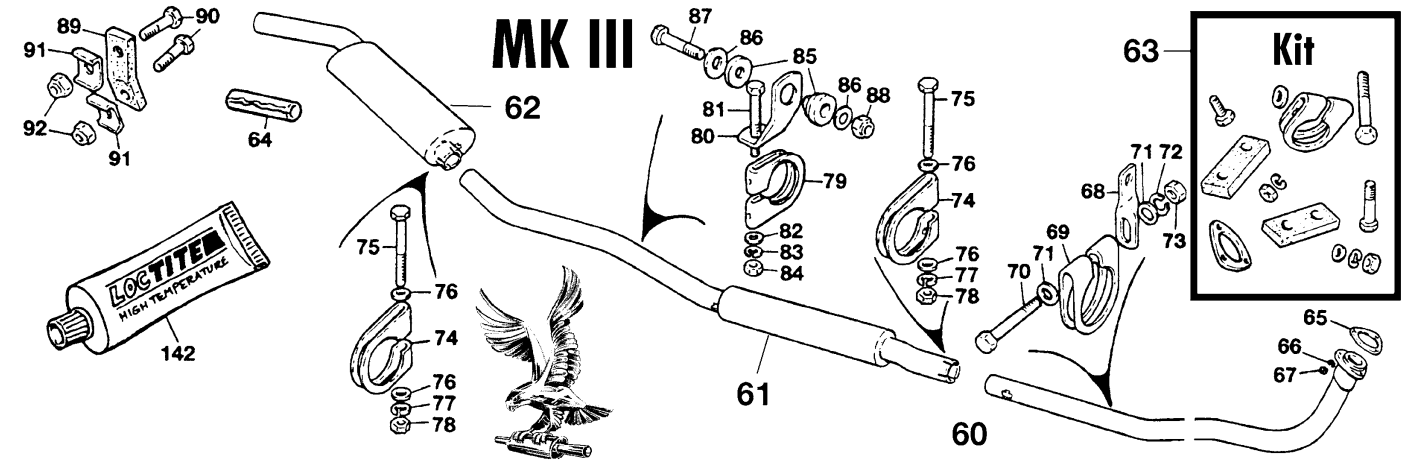
Exhaust system: Spitfire MKI, II, III and IV



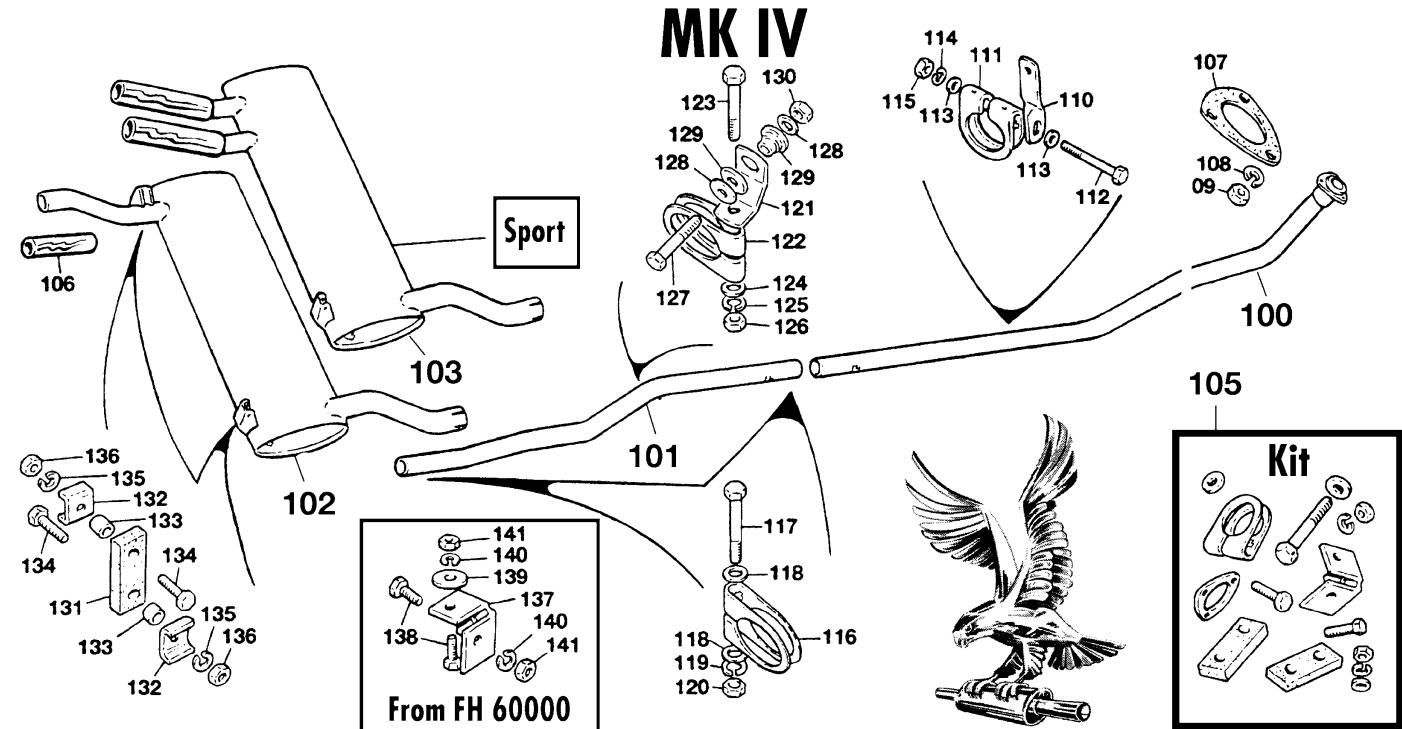
MK I, II



MK III



MK IV

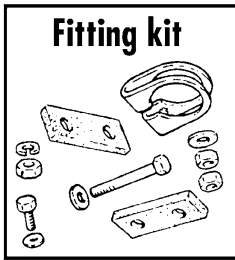


Exhaust system: Spitfire MKI, II, III and IV



ILL N°	PART N°	QTY	DESCRIPTION	APPLICATION
1	110.047	1	FRONT PIPE, stainless steel	MKI
2	110.052	1	MANIFOLD, stainless steel	MKII
3	110.048	1	FRONT SILENCER, stainless steel	MKI, II
4	110.049	1	PIPE INTERMEDIATE, stainless steel	MKI, II
5	110.050	1	REAR SILENCER, stainless steel	MKI, II
6	111.141	1	FITTING KIT	MKI up to 28016
	111.142	1	FITTING KIT	MKI from 28017
	111.143	1	FITTING KIT	MKII
7	185.264	1	Chrome finisher 1.1/2"	MKI, II
8	016.362	1	Gasket, front pipe	MKI
9	164.002	3	Washer, spring	MKI
10	161.030	3	Nut, brass	MKI
11	111.135	1	Bracket, pipe to engine	MKI
12	111.136	1	Clamp	MKI
13	162.520	1	Bolt	MKI
14	163.001	1	Washer, plain	MKI
15	164.002	1	Washer, spring	MKI
16	161.002	1	Nut	MKI
17	111.026	1	Strap, to gearbox	MKII
18	111.140	1	Clamp 1.3/8"	MKII
19	162.073	1	Bolt	MKII
20	163.001	2	Washer, plain	MKII
21	164.002	1	Washer, spring	MKII
22	161.002	1	Bolt	MKII
23	111.137	1	Clamp to gearbox	MKI up to FC28016
24	111.089	1	Rubber strap	MKI up to FC28016
25	162.577	1	Screw, clamp/strap	MKI up to FC28016
26	111.060	1	Washer, heat	MKI up to FC28016
27	111.030	2	Clamp plate	MKI up to FC28016
28	161.330	2	Nut, self locking	MKI up to FC28016
29	162.577	1	Screw, clamp	MKI up to FC28016
30	163.001	1	Washer, plain	MKI up to FC28016
31	164.002	1	Washer, spring	MKI up to FC28016
32	161.002	1	Nut	MKI up to FC28016
33	111.139	1	Clamp	MKI up to FC28016
34	162.858	1	Bolt	MKI up to FC28016
35	163.001	2	Washer, plain	MKI up to FC28016
36	164.002	1	Washer, spring	MKI up to FC28016
37	161.002	1	Nut	MKI up to FC28016
38	111.139	2	Clamp 1.1/2"	MKI, II from FC28017
39	162.073	2	Bolt	MKI, II from FC28017
40	163.001	3	Washer, plain	MKI, II from FC28017
41	164.002	3	Washer, spring	MKI, II from FC28017
42	161.002	3	Nut	MKI, II from FC28017
43	111.024	1	Bracket	MKI, II from FC28017
44	111.023	1	Pair rubber bushes	MKI, II from FC28017
45	162.128	1	Bolt	MKI, II from FC28017
46	163.008	2	Washer, plain, large	MKI, II from FC28017
47	111.139	1	Clamp, 1.1/2"	MKI, II
48	162.073	1	Bolt	MKI, II
49	163.001	2	Washer, plain	MKI, II
50	164.002	1	Washer, spring	MKI, II
51	161.002	1	Nut	MKI, II
52	111.028	1	Strap, rear silencer	MKI, II
53	111.030	2	Plate, reinforcement	MKI, II
54	162.020	2	Screw	MKI, II
55	161.330	2	Nut, self locking	MKI, II
60	110.053	1	FRONT PIPE, stainless steel	MKIII
61	110.054	1	FRONT SILENCER, stainless steel	MKIII
62	110.055	1	REAR SILENCER, stainless steel	MKIII
63	111.144	1	FITTING KIT	MKIII
64	185.108	1	Chrome finisher 1.3/8"	MKIII
65	016.084	1	Gasket, front pipe	MKIII
66	164.002	2	Washer, spring	MKIII
67	161.030	3	Nut, brass	MKIII
68	111.026	1	Strap, to gearbox	MKIII
69	111.025	1	Clamp 1.5/8"	MKIII

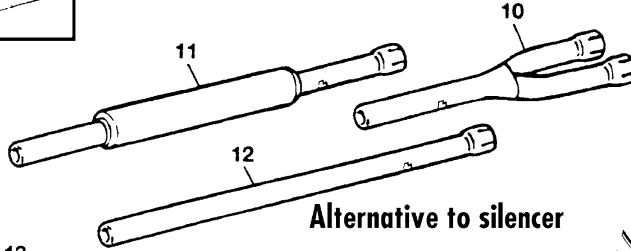
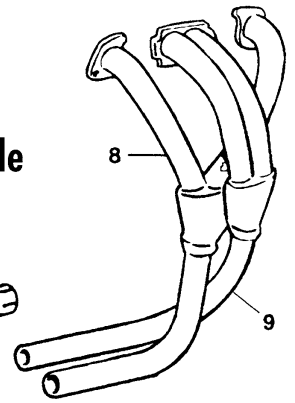
ILL N°	PART N°	QTY	DESCRIPTION	APPLICATION
70	162.025	1	Bolt	MKIII
71	163.001	2	Washer, plain	MKIII
72	164.002	1	Washer, spring	MKIII
73	161.002	1	Nut	MKIII
74	111.027	2	Clamp 1.3/4"	MKIII
75	162.025	2	Bolt	MKIII
76	163.001	4	Washer, plain	MKIII
77	164.002	2	Washer, spring	MKIII
78	161.002	2	Nut	MKIII
79	111.025	1	Clamp 1.5/8"	MKIII
80	111.024	1	Bracket	MKIII
81	162.073	1	Bolt	MKIII
82	163.001	1	Washer, plain	MKIII
83	164.002	1	Washer, spring	MKIII
84	161.002	1	Nut	MKIII
85	111.023	1	Pair rubber bushes	MKIII
86	163.008	2	Washer, plain	MKIII
87	162.030	1	Bolt	MKIII
88	161.330	1	Nut, self locking	MKIII
89	111.028	1	Strap	MKIII
90	162.020	2	Screw	MKIII
91	111.030	2	Plate, reinforcement	MKIII
92	161.330	2	Nut, self locking	MKIII
100	110.056	1	FRONT PIPE, stainless steel	MKIV
101	110.057	1	INTERMEDIATE PIPE, stainless steel	MKIV
102	110.058	1	REAR SILENCER, stainless steel stainless steel with two big tail pipes, made from polished stainless steel.	MKIV
103	110.104	1	REAR SILENCER made from	MKIV
105	111.145	1	FITTING KIT	MKIV
106	185.068	1	FINISHER PIECE, 1.5/8"	MKIV
107	016.084	1	Gasket	MKIV
108	164.002	3	Washer, spring	MKIV
109	161.030	3	Nut, brass	MKIV
110	111.026	1	Strap to gearbox	MKIV
111	111.025	1	Clamp 1.5/8"	MKIV
112	162.025	1	Bolt	MKIV
113	163.001	2	Washer, plain	MKIV
114	164.002	1	Washer, spring	MKIV
115	161.002	1	Nut	MKIV
116	111.027	2	Clamp 1.3/4"	MKIV
117	162.025	2	Bolt	MKIV
118	163.001	4	Washer, plain	MKIV
119	164.002	2	Washer, spring	MKIV
120	161.002	2	Nut	MKIV
121	111.024	1	Bracket	MKIV
122	111.025	1	Clamp, 1.5/8"	MKIV
123	162.073	1	Bolt	MKIV
124	163.001	1	Washer, plain	MKIV
125	164.002	1	Washer, spring	MKIV
126	161.002	1	Nut	MKIV
127	162.030	1	Bolt	MKIV
128	163.008	2	Washer, plain	MKIV
129	111.023	1	Pair rubber bushes	MKIV
130	161.330	1	Nut, self locking	MKIV
131	111.028	2	Strap, rubber	MKIV
132	111.030	6	Plate, reinforcement	MKIV
133	111.029	4	Distance piece	MKIV
134	162.020	4	Screw	MKIV
135	164.002	4	Washer, spring	MKIV
136	161.002	4	Nut	MKIV
137	111.031	1	Bracket, under boot floor, included in fitting kit	MKIV from H60000
138	162.005	2	Screw	MKIV from FH60000
139	168.022	1	Washer, spacer	MKIV from FH60000
140	164.002	2	Washer, spring	MKIV from FH60000
141	161.002	2	Nut	MKIV from FH60000
142	198.017	1	LOCTITE cement, high temp.	all



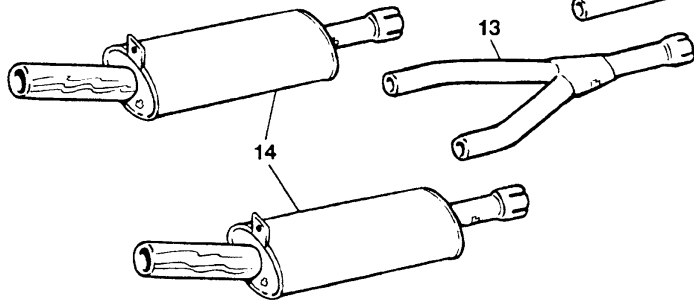
15

MK IV & 1500

Full performance system made from stainless steel

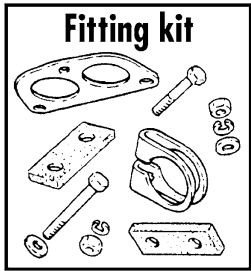


Alternative to silencer

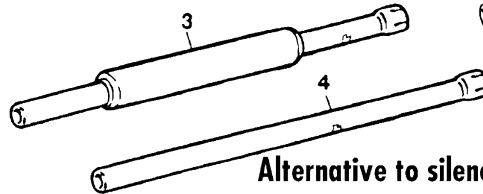
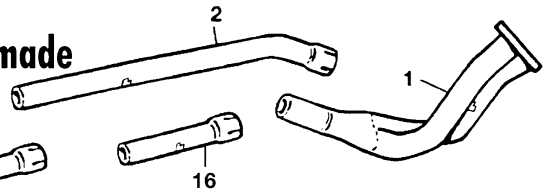


1500

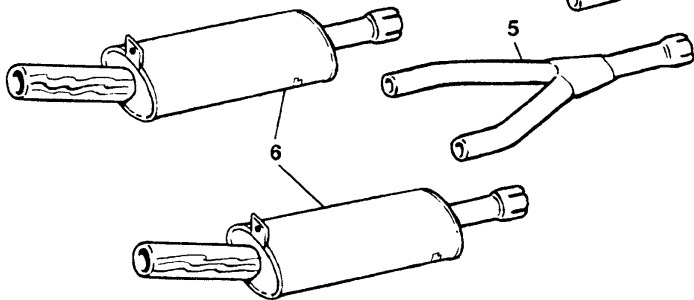
Mild performance system made from stainless steel



7



Alternative to silencer



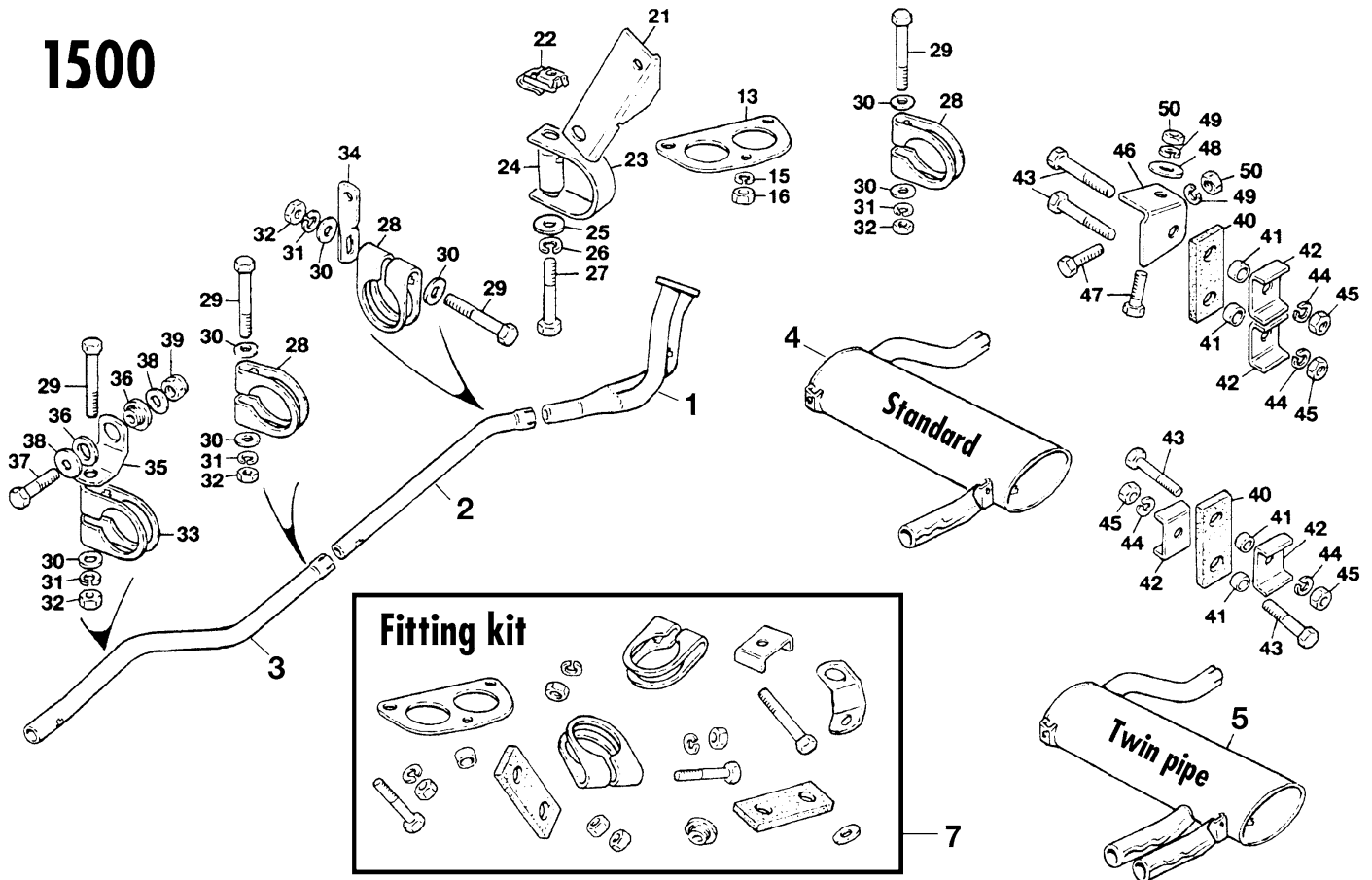
14

ILL N°	PART N°	QTY	DESCRIPTION	APPLICATION
1	110.059	1	FRONT PIECE to manifold made from stainless steel	1500
2	110.185	1	LINK PIECE 1.5/8"-1.3/4" made from stainless steel	1500
3	110.187	1	CENTRAL SILENCER, made from stainless steel	1500
4	110.186	1	STRAIGHT CONNECTION PIPE, made from stainless steel	1500 not TÜV approved
			made from stainless steel	
5	110.188	1	'Y' PIECE, made from stainless steel	1500
6	110.072	2	SPORT REAR SILENCER, with big tail pipe, made from double tubes polished stainless steel	1500
7	111.152	1	FITTING KIT	1500
8	110.066	1	OUTER PIECE, manifold made from stainless steel	MKIV or 1500

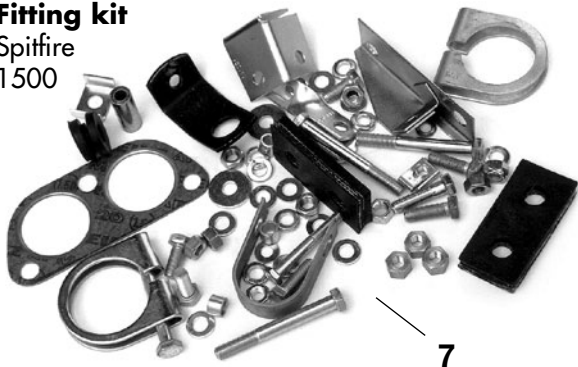
ILL N°	PART N°	QTY	DESCRIPTION	APPLICATION
9	110.067	1	INNER PIECE, manifold made from stainless steel	MKIV or 1500
10	110.068	1	TWO to ONE , manifold made from stainless steel	MKIV or 1500
11	110.187	1	SILENCER, straight made from stainless steel	MKIV or 1500
12	110.186	1	PIPE, straight 1.7/8" O.D. made from stainless steel	MKIV or 1500 not TÜV approved
13	110.188	1	'Y' PIECE, made from stainless steel	MKIV or 1500
14	110.072	2	SPORT REAR SILENCER with big tail pipe, made from double tubes polished stainless steel	MKIV or 1500
15	111.153	1	FITTING KIT	MKIV or 1500
16	110.805	1	Link pipe 49-49mm I.D.	



1500



Fitting kit
Spitfire
1500



7

Silencer Box, twin pipe
stainless steel quality rear
box, Spitfire 1500



5

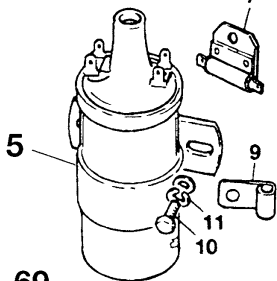
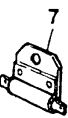
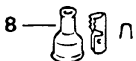
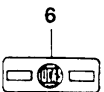
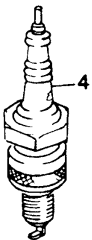
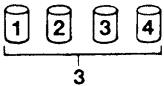
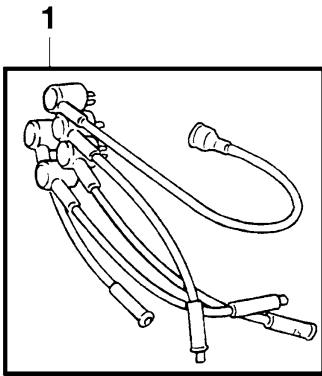
ILL N°	PART N°	QTY	DESCRIPTION	APPLICATION
1	110.059	1	FRONT PIECE, TWO TO ONE, stainless steel	
2	110.060	1	FRONT PIPE, stainless steel	
3	110.061	1	CENTRAL PIPE, stainless steel	
4	110.058	1	SILENCER BOX, standard, stainless steel	
5	110.104	1	SILENCER BOX, twin pipe, stainless steel	
7	111.149	1	FITTING KIT	
13	016.085	1	Gasket	
15	164.002	3	Washer, spring	
16	161.030	3	Nut, brass	
18	163.005	3	Washer, plain	
19	161.026	3	Nut	
20	161.009	3	Nut, flat	
21	111.020	1	Bracket	
22	161.269	1	Clip with nut	
23	111.021	1	Bracket	
24	111.032	1	Distance piece	
25	163.010	1	Washer, plain	
26	164.012	1	Washer, spring	
27	162.203	1	Bolt	
28	111.027	A/R	Clamp 1.3/4"	
29	162.025	A/R	Bolt	

ILL N°	PART N°	QTY	DESCRIPTION	APPLICATION
30	163.001	A/R	Washer, plain	
31	164.002	A/R	Washer, spring	
32	161.002	A/R	Nut	
33	111.025	A/R	Clamp 1.5/8"	
34	111.026	1	Clamp to gearbox	
35	111.024	1	Bracket	
36	111.023	2	Rubber bush & washer	
37	162.030	1	Bolt	
38	163.008	2	Washer, plain	
39	161.330	1	Nut, self locking	
40	111.028	2	Strap	
41	111.029	4	Bush, distance	
42	111.030	4	Plate, reinforcement	
43	162.020	4	Screw	
44	164.002	4	Washer, spring	
45	161.002	4	Nut	
46	111.031	1	Bracket, boot floor	
47	162.005	2	Screw	
48	163.008	1	Washer, plain	
49	164.002	2	Washer, spring	
50	161.002	2	Nut	

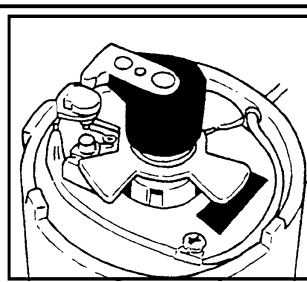
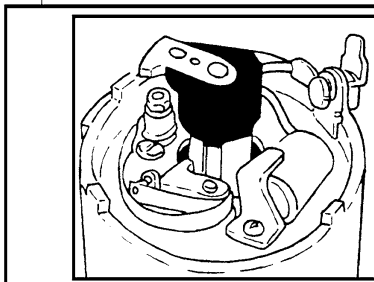
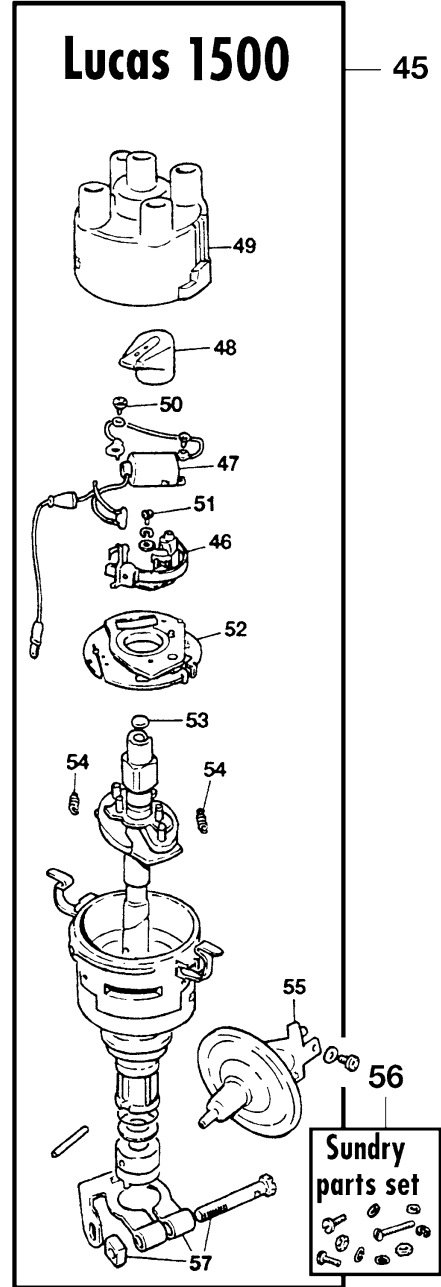
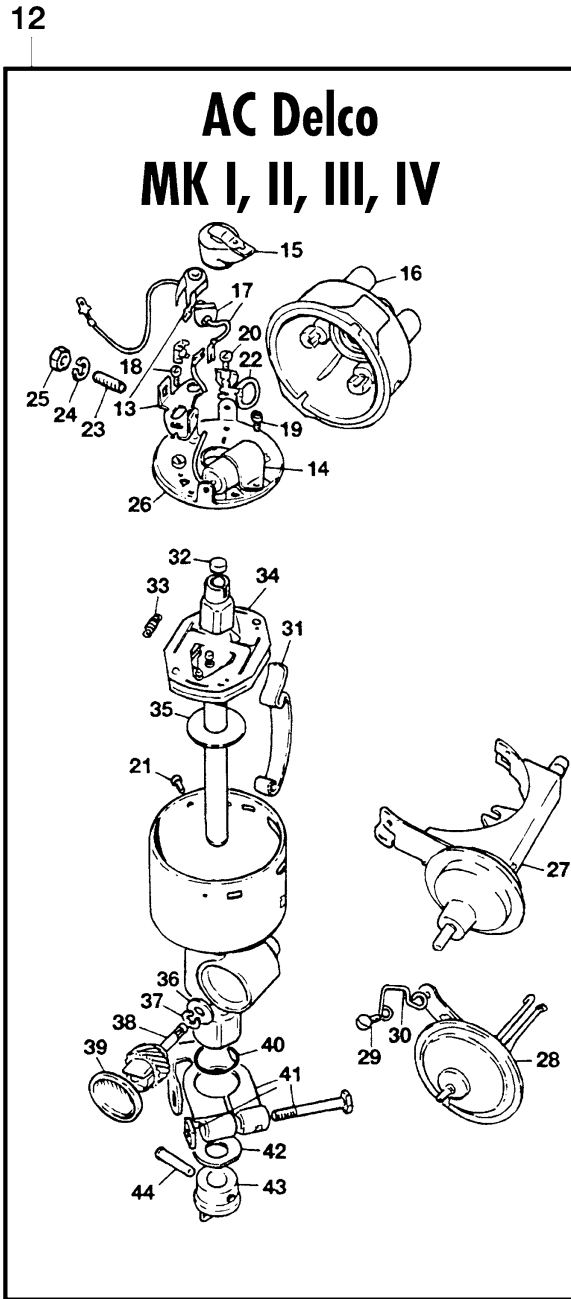


Ignition information

Contact breaker gap	0.40 mm	0.015 inch
Spark plug gap	0.64 mm	0.025 inch
Timing : MKI, II	13°	
MKIII	6°	
MKIV	6°	
1500	10°	



69



Lumenition

LUMENITION OPTRONIC IGNITION is an electronic ignition conversion principally for cars originally fitted with mechanical distributors using contact breaker points and condenser. The advantage is that it contains no wearing parts, requires no adjustment or maintenance and once ignition timing is set it will remain permanently in tune.



CSI ignition systems for Triumph Spitfire 1500

The origin of Classic Sport Ignition lies within a passion for classic cars. Years of hands on experience in automotive electronics have enabled the CSI company to develop the ultimate ignition for your classic car.

Triumph Spitfire	Ground/earth	Distributor housing	CSI system part n°	H.T. lead kit part n°	Coil O.E. part n°	Coil Sport part n°	Spark plug O.E. part n°	Spark plug NGK part n°
1500	negative	45D4	181.340	081.080	081.001	081.195	012.088	012.389



70



The 16 carefully tuned pre-programmed advance curves are at your disposal to choose from, just find the perfect one for your type of car. Choosing between the available curves is very easy. All you have to do is remove the distributor cap and change the curve to your desired position simply by using a screwdriver.

CSI ignition systems have been tested in heavy endurance rally's, like the Carrera Copacabana, the Monte-Carlo Historique and the Mille Miglia.



All CSI systems are installed into a special housing which can't be distinguished from original, your classic will keep its authentic look. We recommend changing the H.T. wiring to a non-copper wire type and the caps to 'push-on' types to give the best results. Early cars with a mechanical tachometer are easy to convert to negative earth, it will give you the possibility to fit a GPS or just reload your mobile using the cigar lighter connection.

When fitting this system, please remove the ballast coil and resistor, as CSI needs constant 12V.

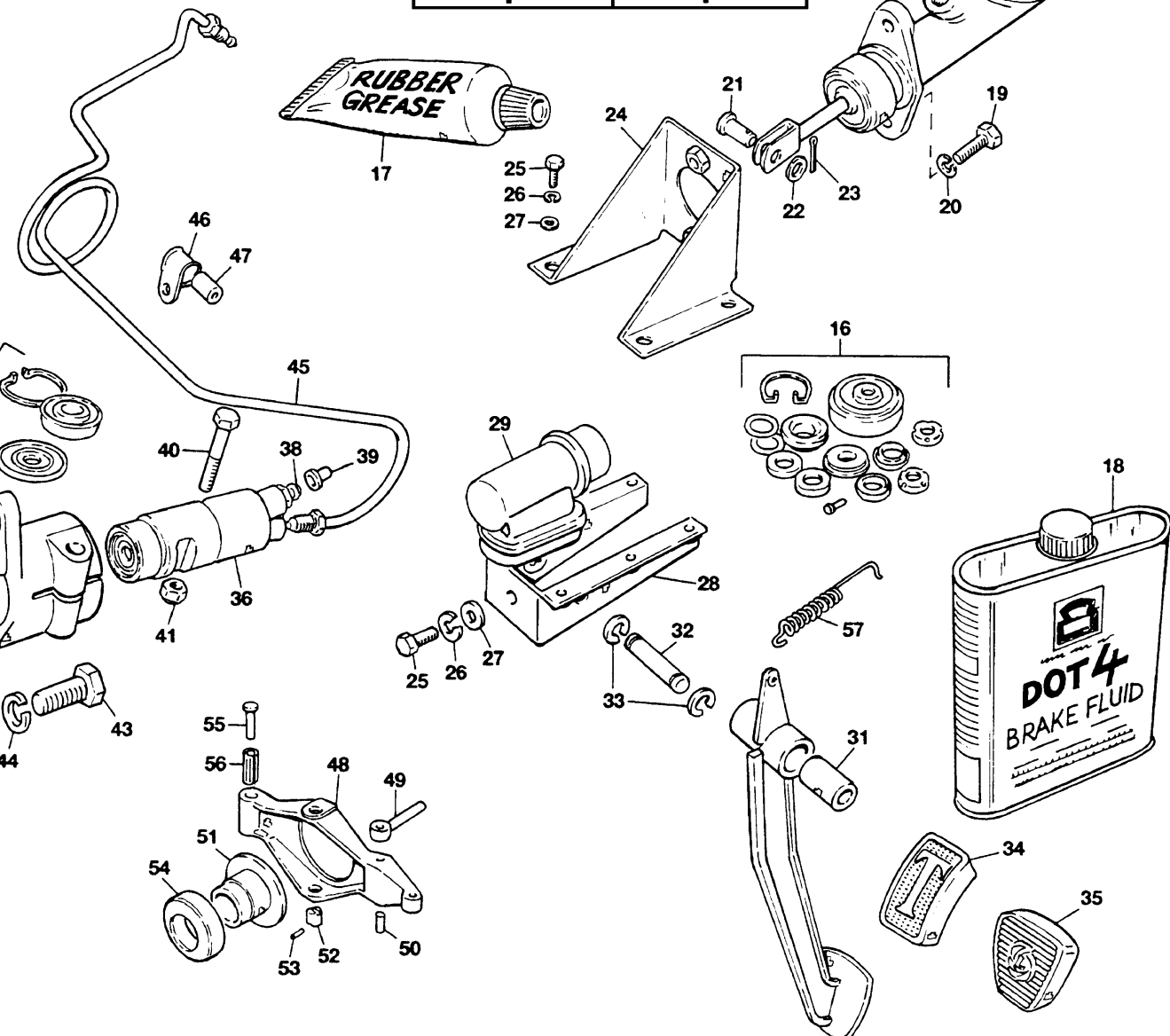
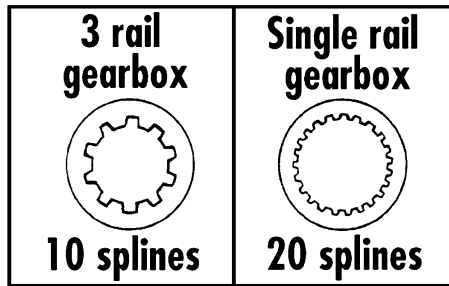
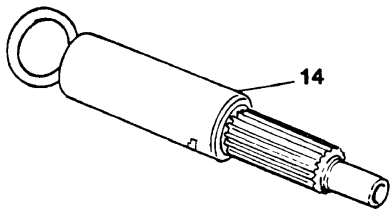
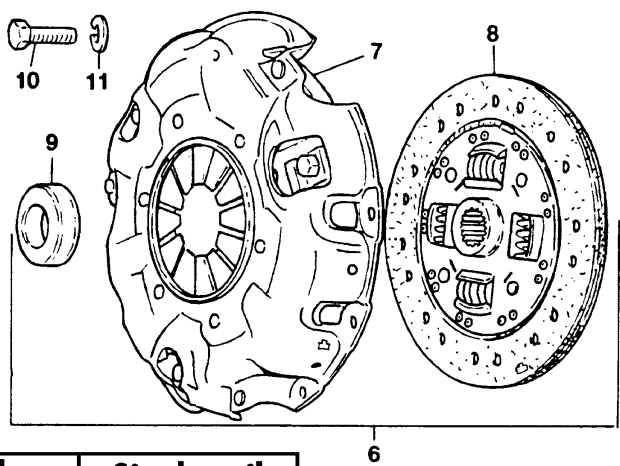
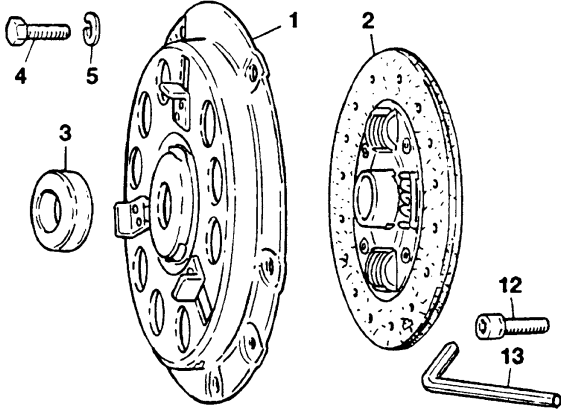
ILL N°	PART N°	QTY	DESCRIPTION	APPLICATION
1	081.079	1	H.T. LEAD SET	MK1, II, III, IV (A.C.DELCO)
	081.080	1	H.T. LEAD SET	1500 (Lucas)
2	081.068	1	Cable separator	not original
3	081.067	1	Cable identicator set	not original but handy
4	012.087	4	Spark plug, Champion	MK1, II
	012.353	4	Spark plug, NGK	MK1, II
	012.088	4	Spark plug, Champion	MKIII, IV, 1500
	012.389	4	Spark plug, NGK	MKIII, IV, 1500
5	081.001	1	Ignition coil, standard	MK1, II, III up to 1970
	081.195	1	Sport ignition coil	MK1, II, III up to 1970
	081.235	1	Ignition coil, standard	1970-on ballasted
	081.446	1	Sport ignition coil	1970-on ballasted
Please note, a ballast resistor can be as illustrated (N°7) or can be a 160cm cable fitted into the wiring loom. This was done from 1973 onwards.				
6	085.082	1	Sticker 'Lucas'	
7	081.445	1	Ballast resistor	1970-'73
8	081.347	1	Kit, coil end cap	
9	172.545	1	Clip	MKIV, 1500
10	162.065	2	Screw	
11	164.012	2	Washer, spring	
	163.011	2	Washer, plain	
12	081.276	1	Distributor, AC DELCO	MK1
	081.277	1	Distributor, AC DELCO	MKII
	081.278	1	Distributor, AC DELCO	MKIII
	081.279	1	Distributor, AC DELCO	MKIV
13	081.081	1	Contact set	MK1, II, III, IV
14	081.087	1	Condensor	MK1, II, III, IV
15	081.083	1	Rotor	MK1, II, III, IV
16	081.085	1	Distributor cap	MK1, II, III, IV
17	081.401	1	Terminal	MK1, II
	081.402	1	Terminal	MKIII
	081.403	1	Terminal	MKIV
18	162.883	1	Screw, contact set	MK1, II, III, IV
19	162.884	1	Screw, condensor	MK1, II, III, IV
20	162.884	1	Screw, earth lead	MK1, II, III, IV
21	162.885	2	Screw, base plate locking	MK1, II, III, IV
22	081.404	1	Earth lead	MK1, II, III, IV
23	081.405	1	Stud	MK1, II, III, IV
24	081.406	1	Washer, spring	MK1, II, III, IV
25	161.489	2	Nut	MK1, II, III, IV
26	081.398	1	Base plate	MK1, II, III
	081.399	1	Base plate	MKIV
27	081.419	1	Vacuum unit	MK1
	081.420	1	Vacuum unit	MKII
	081.089	1	Vacuum unit	MKIII

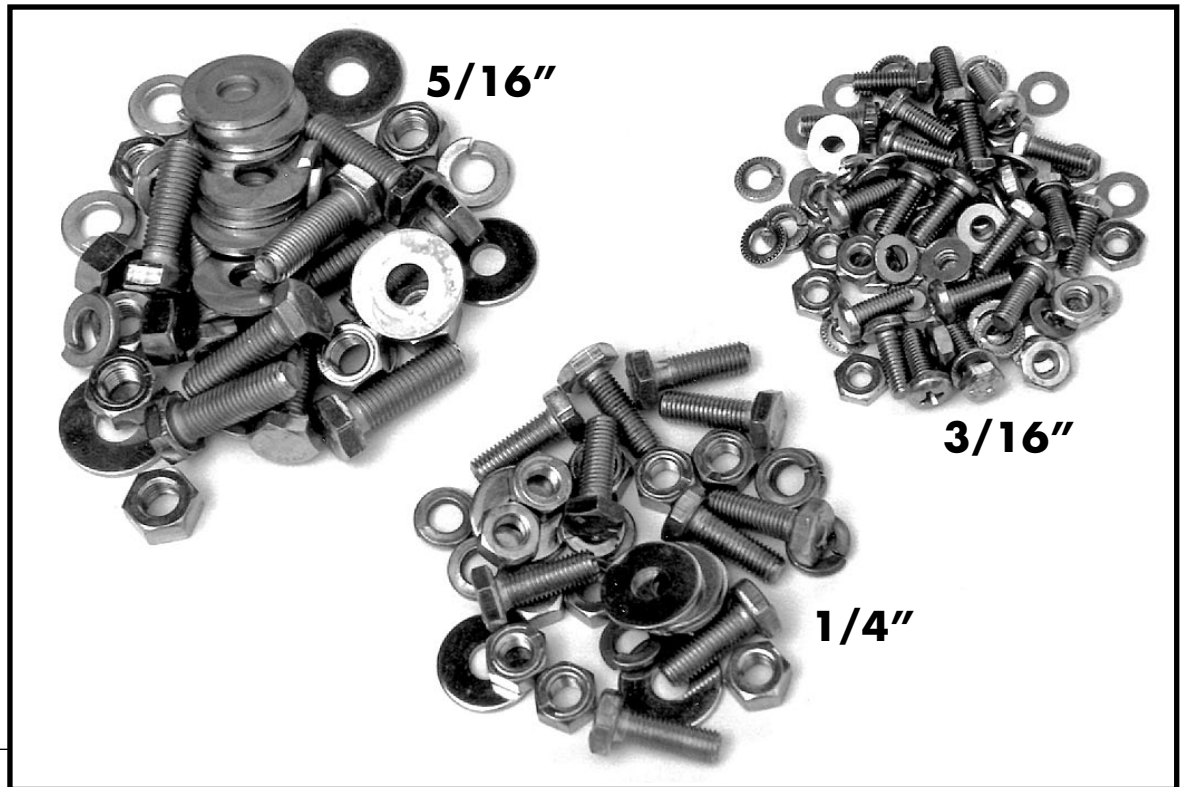
ILL N°	PART N°	QTY	DESCRIPTION	APPLICATION
28	081.448	1	Vacuum unit	MKIV
29	162.886	2	Screw	
30	172.540	2	Clip, cover	MKIV
31	081.418	2	Clip, cover	MK1, II, III
32	081.413	1	Felt, plug	
33	081.414	1	Spring set	MK1, II
	081.415	1	Spring set	MKIII
	081.416	1	Spring set	MKIV
34	081.409	1	Main shaft	MK1
	081.410	1	Main shaft	MKII
	081.411	1	Main shaft	MKIII
	081.412	1	Main shaft	MKIV
35	081.417	1	Washer	MK1, II, III, IV
36	163.160	1	Washer, thrust	MK1, II, III, IV
37	164.064	1	Washer, locking	MK1, II, III, IV
38	081.421	1	Gear, tach drive	MK1, II, III, IV
39	081.422	1	Plug	MK1, II, III, IV
40	081.423	1	Seal	MK1, II, III, IV
41	081.395	1	Clamping plate	MK1, II, III, IV
42	081.424	1	Washer	MK1, II, III, IV
43	081.425	1	Driving dog	MK1, II, III
	081.426	1	Driving dog	MKIV
44	081.427	1	Pin	MK1, II, III, IV
45	081.154	1	Distributor, Lucas	1500 up to FM134995
	081.428	1	Distributor, Lucas	1500 from FM134995
46	081.082	1	Contact set	1500
47	081.088	1	Condensor	1500
48	081.084	1	Rotor arm	1500
49	081.086	1	Distributor cap	1500
50	162.375	1	Screw, condensor	1500
51	162.170	1	Screw, contact set	1500
52	081.429	1	Base plate	1500
53	081.413	1	Felt pad	1500
54	081.336	1	Spring set	1500
55	081.090	1	Vacuum unit	1500 to FM134995
	081.430	1	Vacuum unit	1500 from FM134995
56	081.345	1	Sundry kit, includes: all small screws, clamps, seal and nylon bush	1500
57	081.431	1	Clamping plate with bolt and nut	1500
69			086.082+086.087 'Lumenition' KIT	AC DELCO MK1, II, III, IV
			086.082+086.083 'Lumenition' KIT	Lucas 45D
70	181.340	1	CSI ignition systems, A revolutionary ignition system installed into a special housing that can't be distinguished from the original distributor. see more info above	



MK I

MK II, III, IV & 1500

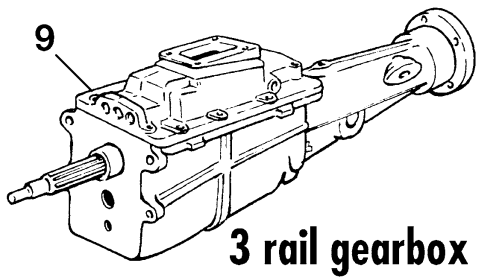




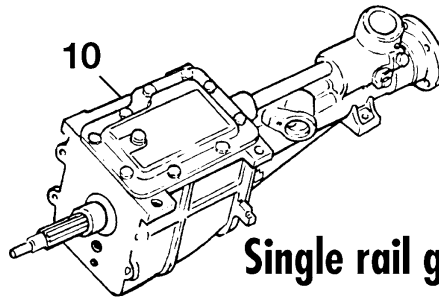
58

ILL N°	PART N°	QTY	DESCRIPTION	APPLICATION
1	021.019	1	CLUTCH COVER	MKI
2	021.020	1	CLUTCH PLATE 159mm	MKI
3	021.059	1	RELEASE BEARING	MKI
4	162.045	6	Screw, clutch cover	MKI
5	164.002	6	Washer, spring	MKI
6	021.075	1	CLUTCH KIT	MKI, II, III, IV, 165 mm, 10 splines
	021.076	1	CLUTCH KIT	1500 single rail gearbox, 194 mm, 23 splines only!
7	021.011	1	CLUTCH COVER 165mm	MKII, III, IV
	021.012	1	CLUTCH COVER 184mm	1500
8	021.008	1	CLUTCH PLATE 165mm	MKII, III 10 splines
	021.009	1	CLUTCH PLATE 165mm	MKIV 10 splines
	021.010	1	CLUTCH PLATE 184mm	1500 20 splines
	021.024	1	CLUTCH PLATE 184mm, The above clutch plate is for fitting a three rail MKIV gearbox to a 1500 engine. This combination can be found on some early 1500 Spitfires.	1500 10 splines
9	021.013	1	BEARING RELEASE	MKII, III, IV, 1500
10	162.045	6	Screw	MKII, III, IV
11	164.002	6	Washer, spring	MKII, III, IV
12	162.440	6	Allen screw, input	1500
13	200.376	1	Spanner, input	1500
14	200.615	1	Clutch centering tool	MKI, II, III, IV, 10 splines
	200.616	1	Clutch centering tool	1500, 20 splines
15	053.020	1	CLUTCH MASTER CYLINDER	
16	052.072	1	Repair kit	
17	052.117	1	Red rubber grease	
18	053.039	1	1 L. DOT 4 brake fluid	
	053.018	1	1 L. Silicone brake fluid	
19	162.022	2	Screw	
20	164.002	2	Washer, spring	
21	172.162	1	Clevis pin	
22	163.028	1	Washer	
23	172.130	1	Split pin	
24	135.298	1	Bracket, made from polished	
25	162.077	8	Screw, bracket	
26	164.012	8	Washer, spring	

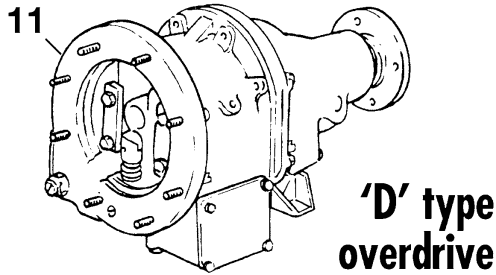
ILL N°	PART N°	QTY	DESCRIPTION	APPLICATION
27	163.011	8	Washer, plain	
29	052.076	1	Dust cover	
31	027.196	1	Bush, pedal	
32	027.197	1	Shaft	
33	172.311	2	Circlip	
34	027.085	1	Pedal rubber 'T'	MKI, II, III
35	027.067	1	Pedal rubber 'L'	MKIV & 1500
36	027.191	1	Slave cylinder 3/4"	MKI, II
	027.022	1	Slave cylinder 7/8"	MKIII, IV, 1500
37	027.192	1	Repair kit, 3/4"	MKI, II
	027.023	1	Repair kit, 7/8"	MKIII, IV, 1500
38	052.078	1	Bleed screw	
39	052.245	1	Dust cap	
40	162.041	1	Bolt, 5/16x2.1/4"	
41	161.012	1	Nut, nylon lock	
42	027.125	1	Boss, slave cylinder	
43	162.022	2	Screw	
44	164.002	2	Washer, spring	
45	054.072	1	LHD Clutch pipe	
	054.285	1	RHD Clutch pipe	
46	172.508	1	Clip, bell housing	
47	122.254	1	Sleeve, rubber	
48	027.198	1	Clutch lever	MKI
	027.128	1	Clutch lever	MKII, III, IV
	027.199	1	Clutch lever	1500 with single rail gearbox fitted
49	027.129	1	Push rod	
50	027.130	1	Lever pin	
51	027.200	1	Sleeve, bearing	MKI
	027.126	1	Sleeve, bearing	MKII, III, IV, 1500
52	027.127	2	Thrust plug	
53	172.270	2	Securing pin	
54	021.059	1	Release bearing	MKI
	021.013	1	Release bearing	MKII, III, IV, 1500
55	027.132	1	Pin, improved type with securing head	
56	172.271	1	Tolerance bush	
57	171.034	1	Pedal spring	
58	135.629	1	UNF fastener kit 3/16", 1/4", 5/16"	



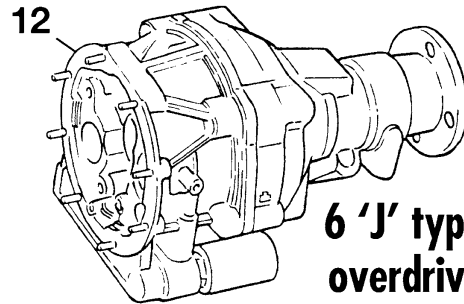
3 rail gearbox



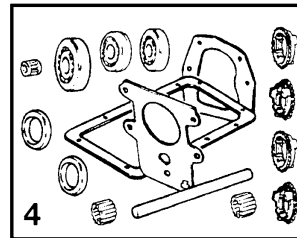
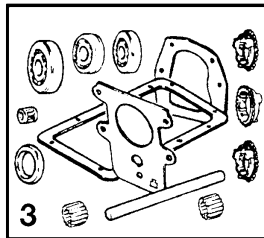
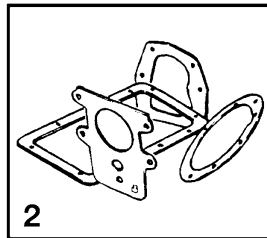
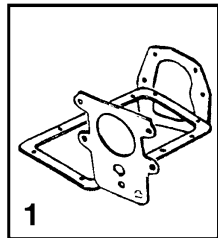
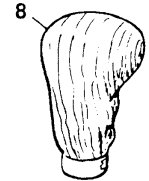
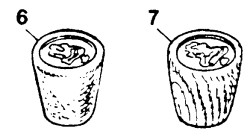
Single rail gearbox



'D' type overdrive



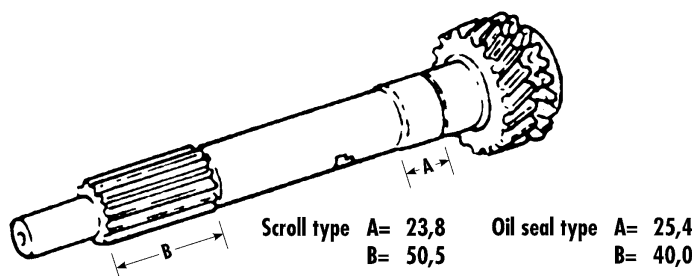
6 'J' type overdrive



Gearbox assembly, rebuilt

We offer rebuilt gearboxes and overdrives on an exchange base. These units are completely rebuilt, 6 months warranted, not included are: bell housing, clutch lever and shaft, oil lever dipstick, gear lever, electrical switches and oil. The overdrive solenoid comes with the overdrive. A surcharge has to be paid at the moment of ordering the rebuilt unit. You can send your old unit back to us and if the gearbox is economical rebuildable and of the same kind as the gearbox you bought, we will be more than happy to pay the surcharge price back. It normally takes 50 days before we have checked all this, as we do this only once a month.

For more information, please contact your local Anglo Parts salesmen.

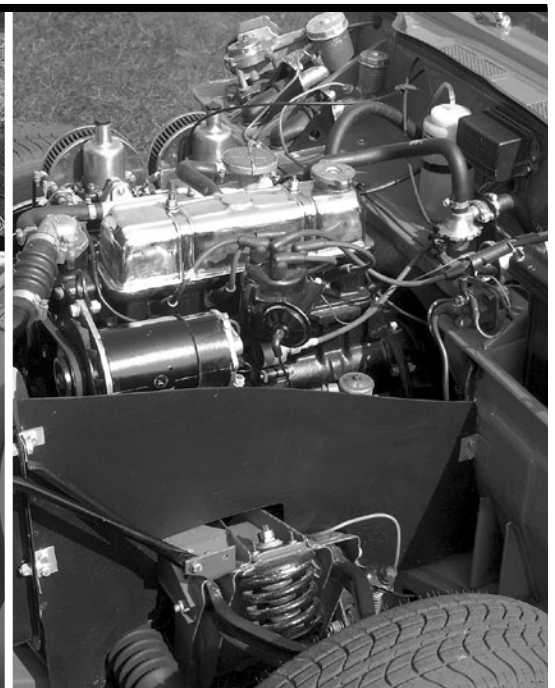


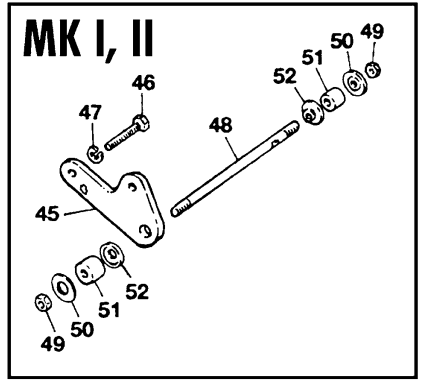
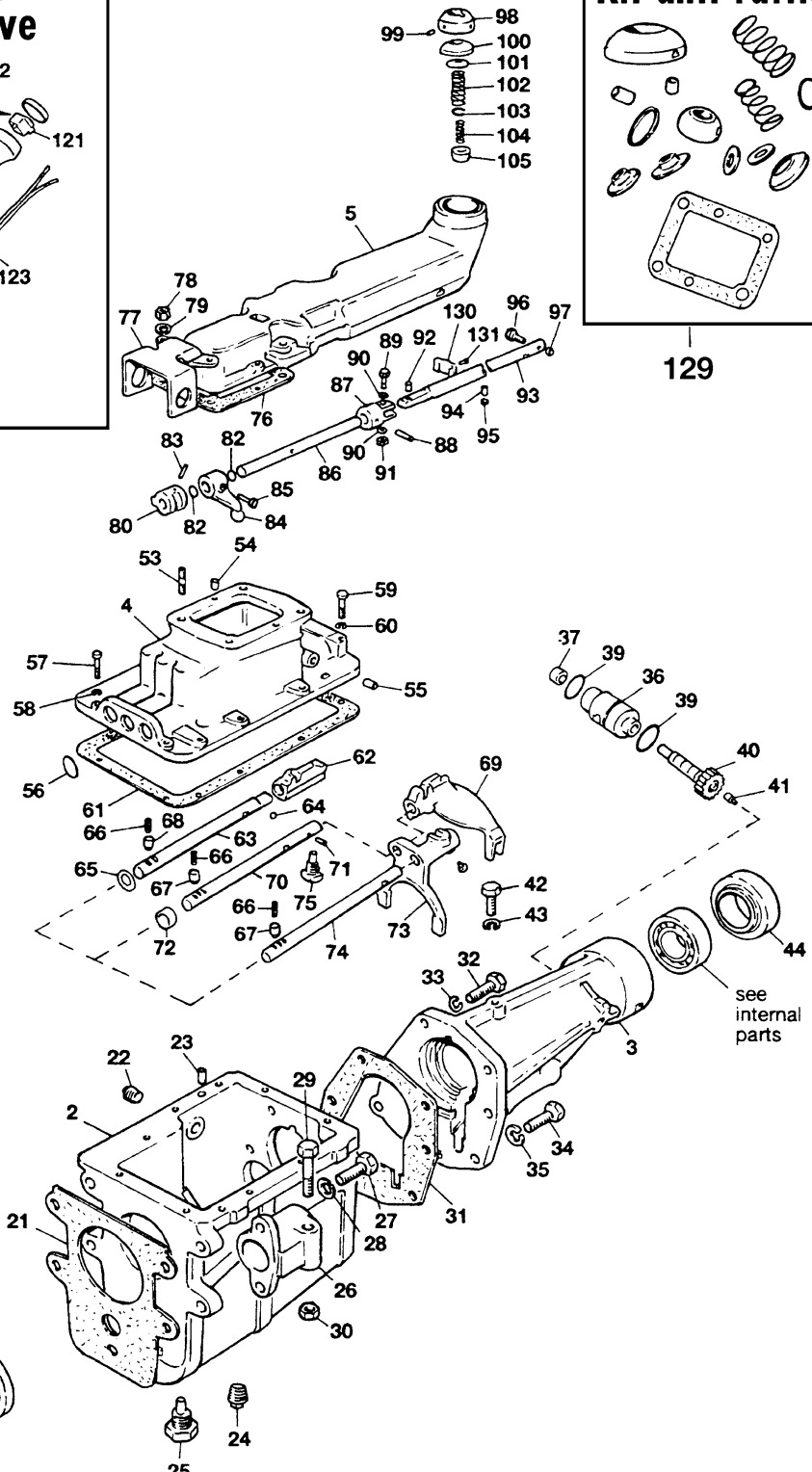
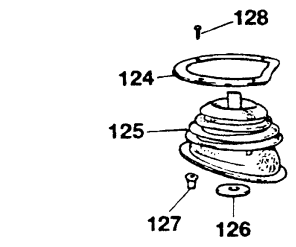
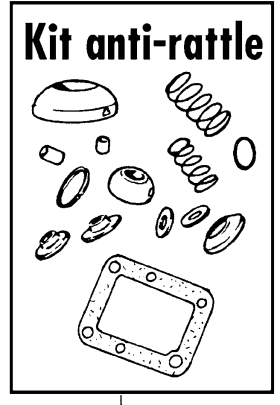
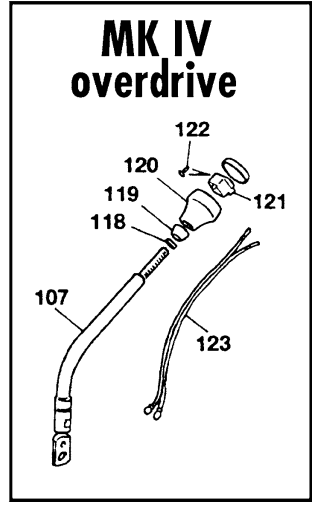
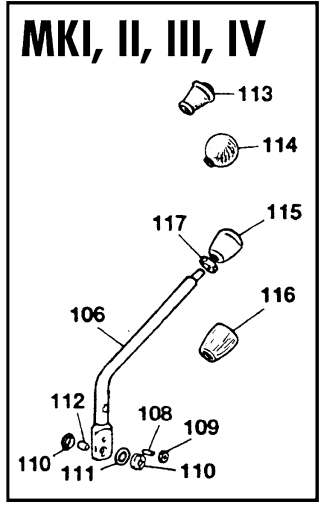
ILL N°	PART N°	QTY	DESCRIPTION	APPLICATION
1	016.404	1	Gasket set, 3 rail	MKI, II, III, IV
	016.158	1	Gasket set, single rail	1500
2	016.405	1	Gasket set, 3 rail + O/D	MKI, II, III, IV
	016.406	1	Gasket set, single rail with overdrive	1500
3	026.008	1	Overhaul kit, 3 synchro, 3 rail type, standard	MKI, II, III
4	026.009	1	Overhaul kit, 4 synchro, 3 rail type, standard	MKIII, IV
	026.010	1	Overhaul kit, 4 synchro, single rail, standard	1500
5	300.112	1	1 Liter gearbox oil, Penrite	
	330.090	A/R	1/2 L. Gearbox oil. Castrol EPX90	
6	185.036	1	Gear lever knob, wood	
7	185.037	1	Gear lever knob, leather	
8	185.252	1	Gear lever knob, luxury version made from high gloss walnut	
9	020.086	1	Standard gearbox, 3 rail, square flange type	MKI, II
9	020.115	1	Gearbox for overdrive, 3 rail, square flange type (overdrive 020.124, see below)	MKI, II
9	020.112	1	Standard gearbox MKIII, 3 rail, square flange type	MKIII
9	020.114	1	Gearbox for overdrive MKIII, 3 rail, square flange type (overdrive 020.124, see below)	MKIII
9	020.013	1	Standard gearbox, 3 rail, round flange type,	MKIV early
9	020.113	1	Gearbox for overdrive, 3 rail, round flange type (overdrive 020.125, see below)	MKIV early
9	020.013	1	Standard gearbox, 3 rail, round flange type,	MKIV late
9	020.116	1	Gearbox for overdrive, 3 rail, round flange type (overdrive 020.126, see below)	MKIV late
10	020.014	1	Standard gearbox, scroll type, single rail, round flange type	1500 upto 1976
10	020.117	1	Gearbox for overdrive, scroll type, single rail, round flange type (overdrive 020.126, see below)	1500 upto 1976
10	020.015	1	Standard gearbox, seal type, single rail, round flange type	1500 1976-on
10	020.118	1	Gearbox for overdrive, seal type, single rail, round flange type (overdrive 020.126, see below)	1500 1976-on
11	020.124	1	Overdrive 'D' type for above gearboxes 020.115 and 020.114	MKI, II, III
11	020.125	1	Overdrive 'D' type for above gearbox 020.113	MKIV early
12	020.126	1	Overdrive 6 'J' type for above gearbox 020.116, 020.117 and 020.118	MKIV late, 1500



PENRITE OIL

How much & what oil you need			
Models	Engine	Gearbox	Axle
All Spitfire's 1962-1980	XI 20W/50 - 4 L.	Gearbox - EPX90 - 0.85 L. Gearbox O/D - EPX90 - 1.35 L.	Hypoid 85W/140 - 0.6 L.





3 rail gearbox, external parts: Spitfire MKI, II, III, IV



ILL N°	PART N°	QTY	DESCRIPTION	APPLICATION
1	020.063	1	Clutch bell housing	
2	020.108	1	Gearbox case	MKI, II, III
	020.109	1	Gearbox case	MKIV
3	023.881	1	Gearbox extension	MKI, II, III
	023.882	1	Gearbox extension	MKIV
4	023.883	1	Top cover	MKI, II
	023.884	1	Top cover	MKIII
	023.885	1	Top cover	MKIV
5	023.886	1	Remote control housing	MKI, II
	023.887	1	Remote control housing	MKIII, IV
6	172.333	1	Split pin, oil hole	
7	162.072	4	Bolt	
8	164.006	4	Washer, spring	
9	162.072	1	Bolt	
10	168.014	1	Washer, copper	
11	162.020	7	Bolt, G/box to engine	
	162.030	1	Bolt, G/box to engine	
12	164.002	11	Washer, spring	
13	161.002	11	Nut	
14	162.887	1	Bolt, dowel	
15	163.005	1	Washer, plain	
16	164.006	1	Washer, spring	
17	161.026	1	Nut	
18	027.131	2	Bush, pin fulcrum	
19	023.660	1	Cover, front	
20	023.888	1	Dowel	
21	016.386	1	Gasket, front	
22	011.341	1	Plug, oil lever	
23	023.889	2	Dowel	
24	011.341	1	Plug, oil drain	MKI, II, III
25	023.275	1	Plug, oil drain	MKIV
26	027.125	1	Boss, slave cylinder	
27	162.022	2	Screw	
28	164.002	2	Washer, spring	
29	162.041	1	Bolt, slave cylinder lock	
30	161.330	1	Nut, locking	
31	016.387	1	Gasket, front	
32	162.022	5	Screw	MKI, II, III
33	164.002	5	Washer, spring	MKI, II, III
34	162.022	7	Screw	MKIV
35	164.002	7	Washer, spring	
36	023.890	1	Bearing, speedo	MKI to FC28107
	023.891	1	Bearing speedo	MKI, II, III, IV from FC28107
37	023.653	1	Oil seal	MKI, II, III
	016.050	1	Oil seal	MKIV
39	016.558	2	'O' Ring	
40	023.781	1	Pinion speedo	
41	023.782	1	End bearing	All
42	162.601	1	Screw, locking	
43	164.002	1	Washer, spring	
44	016.159	1	Oil seal, rear	
45	023.893	1	Plate, reaction rod	MKI, II
46	162.577	2	Screw	MKI, II
47	164.002	2	Washer, spring	MKI, II
48	023.894	1	Rod, reaction	MKI, II
49	161.026	2	Nut	MKI, II
50	163.005	2	Washer, plain	MKI, II
51	023.896	2	Rubber bush	MKI, II
52	023.897	2	Washer, mounting	MKI, II
53	167.132	4	Stud	
54	023.889	2	Dowel	MKIII, IV
55	023.898	1	Plug, interlock hole	
56	023.686	6	Plug, selector shaft holes	
57	162.515	7	Bolt, short	
58	164.012	7	Washer, spring	
59	162.605	2	Bolt, long	
60	164.012	2	Washer, spring	
61	016.388	1	Gasket, cover to case	
62	023.899	1	Actuator, reverse gear	MKI, II, III
	023.900	1	Actuator, reverse gear	MKIV
63	023.901	1	Shaft, reverse	MKI, II, III
	023.902	1	Shaft, reverse	MKIV
64	023.027	1	Ball, interlock	

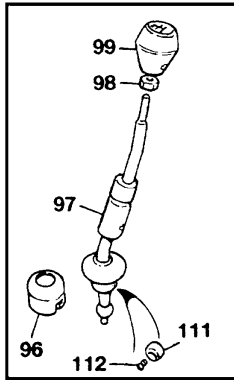
ILL N°	PART N°	QTY	DESCRIPTION	APPLICATION
65	023.903	1	Washer	MKIV
66	023.452	3	Spring plugner	
67	023.451	2	Plugner:1st 2nd 3rd 4th	
68	023.904	1	Plugner, reverse	
69	023.818	1	Fork, selector 1st & 2nd	
70	023.905	1	Shaft 1st & 2nd	MKI, II, III
	023.906	1	Shaft 1st & 2nd	MKIV
71	023.907	1	Plugner pin	
72	023.908	1	Sleeve	
73	023.909	1	Fork, selector 3rd & 4th	
74	023.910	1	Shaft 3rd & 4th	
75	162.734	3	Lock screw, selector	
76	016.375	1	Gasket, remote control	
77	023.911	1	Bracket, inhibitor switch	MKIV
78	161.002	4	Nut	
79	164.002	4	Washer, spring	
80	023.912	1	Lever, actuator for inhibitor switch	MKIV
82	023.913	2	'O' Ring	
83	023.914	1	Pin, locking switch lever	
84	023.915	1	Lever, selector	
85	162.734	1	Screw, lever to shaft	
86	023.916	1	Shaft	MKI, II, III
	023.917	1	Shaft	MKIV
87	023.918	1	Coupling	
88	023.919	1	Dowel	
89	162.119	1	Bolt	
90	168.028	2	Washer, copper	MKI, II, III, IV
	168.028	1	Washer, nylon	MKIV
91	161.336	1	Nut, nylon	
92	023.920	1	Bush	MKIV
93	023.921	1	Shaft, 1st part	MKI, II, III
	023.922	1	Shaft, 1st part	MKIV
94	023.923	1	Spacer bush	alternative to N°
95	023.924	1	Bush	alternative to N°
96	162.888	1	Bolt	
97	161.336	1	Nut, nylon lock	
98	023.418	1	Cap to cover extension	
99	172.548	2	Dowel pin, cap	
100	023.817	1	Dished washer, outer	
101	023.925	1	Dished washer, inner	
102	023.926	1	Spring, cap retainer	
103	023.927	1	Circlip, spring to lever	
104	023.816	1	Spring, reverse baulk	
105	023.928	1	Bush, spherical	MKI up to FC21927
	023.815	1	Bush, spherical	from FC21928
106	023.929	1	Lever	MKI, II, III, IV
107	023.930	1	Lever	MKIV for Overdrive
108	162.889	1	Screw, reverse stop	
109	161.008	1	Nut, flat	
110	023.931	2	Bush in lever	MKI to FC21927
	023.932	2	Bush in lever	MKI-III from FC21928
	023.933	2	Bush in lever	MKIV
111	023.934	2	Washer	MKIV
112	023.935	1	Sleeve	
113	023.936	1	Knob, gear lever	MKI, II
114	023.937	1	Knob, gear lever	MKIII
115	023.938	1	Knob, gear lever, plain	MKIV
116	023.939	1	Knob, gear lever, grain	MKIV
117	161.433	1	Lock nut, UNC	
118	161.294	1	Lock nut	MKIV overdrive
119	161.293	1	Nut, locking, chrome	MKIV O/D
120	023.940	1	Knob, gear lever	MKIV O/D
	086.065	1	Cap, gear lever knob	MKIV, O/D
121	023.370	1	Switch	MKIV O/D
122	162.890	2	Screw, switch to knob	MKIV O/D
123	080.157	1	Wires to switch	MKIV O/D
124	135.033	1	Ring, retaining the gaiter	
125	121.232	1	Gaiter	
126	168.154	1	Washer, rubber	
127	172.080	4	Screw	
128	162.162	4	Screw	
129	023.663	1	KIT ANTI-RATTLE	
130	133.659	1	Plate, reverse baulk	
131	162.538	2	Screw, baulk plate	



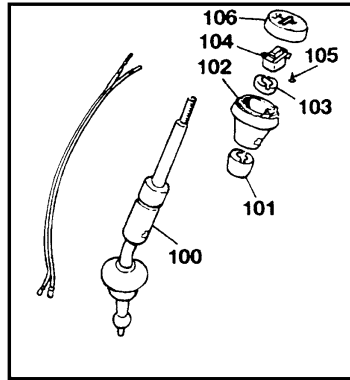
3 rail gearbox, internal parts: Spitfire MKI, II, III, IV

ILL N°	PART N°	QTY	DESCRIPTION	APPLICATION
1	023.941	1	Input shaft	MKI, II
	023.639	1	Input shaft	MKIII, IV
2	023.668	1	Bush, input shaft	MKI, II
	023.814	1	Bush, input shaft	MKIII, IV
3	023.641	1	Oil thrower	
4	023.265	2	Bearing, front & central	
5	023.642	2	Circlip	
6	023.643	1	Washer	
7	023.644	1	Circlip	MKI, II, III
	023.645	1	Circlip	MKIV
8	023.470	3	Synchro ring	MKI, II, III
	023.269	4	Synchro ring	MKIV
9	023.671	1	Sleeve hub 3rd & 4th	MKI, II, III
	023.942	1	Sleeve hub 3rd & 4th	MKIV
10	023.107	3	Ball	
11	023.803	3	Spring	
12	023.720	A/R	Shim, under spring	
13	023.522	3	Spring, hub 1st & 2nd	
14	172.284	1	Circlip	MKI, II, III, MKIV
15	023.595	1	Washer	MKI, II, III
	023.596	1	Washer	MKIV
16	023.943	1	3rd Gear	MKI, II
	023.944	1	3rd Gear	MKIII
	023.465	1	3rd Gear	MKIV
17	023.945	1	Bush, 3rd gear	MKI, II, III
	023.813	1	Bush, 3rd gear	MKIV
18	023.946	1	Washer, thrust	MKI, II, III
	023.946	A/R	Thrust washer 0.153"	MKIV
	023.948	A/R	Thrust washer 0.157"	MKIV
	023.947	A/R	Thrust washer 0.162"	MKIV
	023.949	A/R	Thrust washer 0.166"	MKIV
	023.810	A/R	Thrust washer 0.170"	MKIV
19	023.950	1	Bush, 2nd gear	MKI, II, III
	023.813	1	Bush, 2nd gear	MKIV early
	023.811	1	Bush, 2nd gear, FLANGED !	MKIV late
20	023.384	1	Ball	
21	023.667	1	2nd Gear	MKI, II, III
	023.670	1	2nd Gear	MKIV early
	023.951	1	2nd Gear use only together with 023.811	MKIV late
22	023.594	1	Washer	MKI, II, III
	023.819	1	Washer	MKIV early
	023.763	A/R	Washer thrust 0.199"	MKIV late
	023.764	A/R	Washer thrust 0.202"	MKIV late
	023.765	A/R	Washer, thrust 0.205"	MKIV late
	023.766	A/R	Washer, thrust 0.206"	MKIV late
23	023.779	1	1st Gear & sleeve	MKI, II, III
24	023.420	1	1st & 2nd Gear, outer only	MKIV
25	023.517	1	Pair split collar	MKIV
26	023.952	1	1st Gear	MKIV
27	023.953	1	Washer	MKIV
28	023.643	1	Washer	MKI, II, III NON O/D
	023.767	A/R	Washer 0.20"	MKIV non O/D
	023.768	A/R	Washer 0.123"	MKIV non O/D
	023.769	A/R	Washer 0.126"	MKIV non O/D
	023.770	A/R	Washer 0.129"	MKIV non O/D

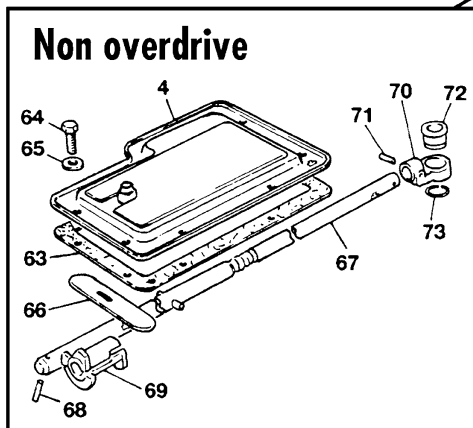
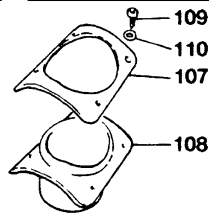
ILL N°	PART N°	QTY	DESCRIPTION	APPLICATION
29	023.644	1	Circlip	MKI, II, III non O/D
	023.645	1	Circlip	MKIV non O/D
30	023.954	1	Speedo gear	MKI, II, III non O/D
	023.955	1	Speedo gear	MKIV non O/D
31	023.384	1	Ball	MKIV non O/D
32	023.956	1	Washer	MKI, II, III
	023.672	1	Washer	MKIV
33	023.778	1	Bearing, rear	MKI, II, III non O/D
	023.266	1	Bearing, rear	MKIV non O/D
34	016.159	1	Oil seal, rear	non O/D
35	023.957	1	Pin, locking	
36	023.958	1	Mainshaft	MKI, II, III non O/D
37	023.959	1	Mainshaft	MKIV non O/D
	023.960	1	Mainshaft	MKIV non O/D late
38	023.961	1	Mainshaft	MKI, II, III O/D 'D' type
	023.962	1	Mainshaft	MKIV O/D 'D' type
	023.802	1	Mainshaft	MKIV O/D 'J' type
39	023.963	1	Flange, square	MKI, II, III
40	164.027	1	Washer, spring	MKI, II, III
41	161.086	1	Nut 5/8"	MKI, II, III
42	023.673	1	Flange, round	MKIV
43	163.079	1	Washer, plain	MKIV
44	161.378	1	Nut, locking	MKIV
45	023.964	1	Lay gear	MKI, II
	023.271	1	Lay gear	MKIII
46	023.777	2	Bush	MKI, II, III
47	023.675	1	Thrust washer, front	MKI, II, III
48	023.678	1	Washer	MKI, II, III
49	023.800	1	Thrust washer, rear	MKI, II, III
50	023.468	1	Shaft	MKI, II, III
51	162.891	1	Screw, locating layshaft	MKI, II, III
52	164.002	1	Washer, spring	MKI, II, III
53	023.271	1	Lay gear	MKIV
54	023.676	4	Retaining ring	MKIV
55	023.268	50	Needle roller	MKIV
56	023.675	1	Thrust washer, front	MKIV
57	023.678	1	Thrust washer, rear	MKIV
58	023.270	1	Lay shaft	MKIV
59	023.677	1	Pin, locking	MKIV
60	023.965	1	Reverse operating lever	
61	023.759	1	Fulcrum pin	
62	161.337	1	Nut, nyloc	
63	023.966	1	Spindle reverse gear	
64	162.891	1	Screw, locating	
65	164.002	1	Washer, spring	
66	023.967	1	Reverse gear	MKI, II, III
67	023.968	1	Bush	MKI, II, III
68	023.969	1	Sleeve	
69	023.273	1	Reverse gear, 21 teeth	MKIV
70	023.968	1	Bush	MKIV



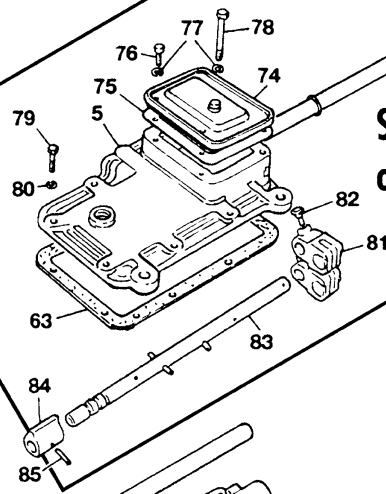
Non overdrive



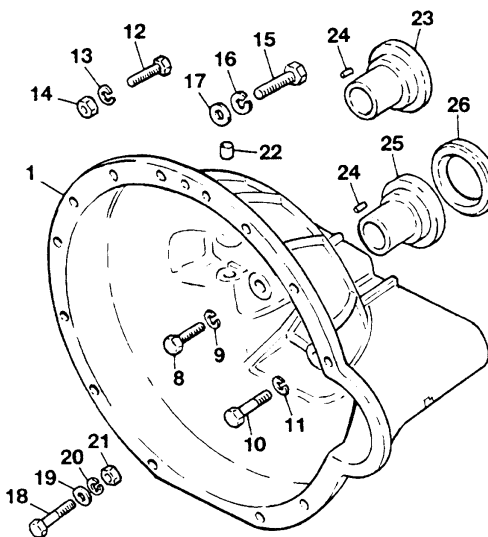
Overdrive type



Non overdrive



Single rail overdrive



Info
 Gearbox up to FR 33414, no oil seal
 Gearbox from FR 33414, with oil seal



ILL N°	PART N°	QTY	DESCRIPTION	APPLICATION
1	020.110	1	Bell housing	to FR33414
	020.111	1	Bell housing	from FR33414
2	020.083	1	Gearbox case	
3	020.084	1	Gearbox extension	to FR12687
4	023.971	1	Top cover, STD type	
5	023.972	1	Top cover, O/D type	
6	023.973	1	Tower assembly	
7	023.974	1	End bracket, tower	
8	162.691	4	Screw	
9	164.006	4	Washer, spring	
10	162.072	1	Bolt	
11	168.024	1	Washer, copper	
12	162.020	6	Screw	
13	164.002	6	Washer, spring	
14	161.002	6	Nut	
15	162.483	1	Screw	
16	164.002	1	Washer, spring	
17	163.001	1	Washer, plain	
18	162.124	1	Dowel bolt	
19	163.005	1	Washer, plain	
20	164.006	1	Washer, spring	
21	161.026	1	Nut	
22	027.131	2	Bush, pin fulcrum	
23	023.660	1	Cover, front end SCROLL TYPE	up to FR33414 no oil seal is fitted
24	023.888	1	Dowel	
25	023.661	1	Cover, front end use with oil seal	from FR33414, fit an oil seal
26	023.413	1	Front oil seal	from FR33414
27	016.239	1	Gasket, front	
28	023.276	1	Plug, oil level	
	011.341	1	Plug, oil level	alternative
29	023.647	2	Dowel	O/D gearbox only
30	023.275	1	Plug, oil drain	
31	027.125	1	Boss, slave cylinder	
32	162.022	2	Screw	
33	164.002	2	Washer, spring	
34	162.041	1	Bolt, slave cylinder	
35	161.012	1	Nut, nylon lock	
36	023.646	3	Spring	
37	016.240	1	Gasket, rear	
38	023.649	1	Plug	non O/D
39	023.650	1	Plugner	non O/D
40	171.025	1	Spring	non O/D
41	023.640	1	'O' Ring	
44	172.551	1	Circlip, rear	to FR12687
45	023.659	1	Pin, locating	from FR12688
46	023.659	1	Pin, locating	to FR268
47	016.287	1	End cover	
48	016.159	1	Oil seal	
49	023.976	1	Pinion, speedo	for 3.63:1 axle
	023.656	1	Pinion, speedo	for 3.89:1 axle
	023.978	1	Pinion, speedo	for Suisse only
50	023.651	1	'O' Ring	
51	023.652	1	Bearing, speedo	
52	016.050	1	Oil seal, speedo	
	023.653	1	Oil seal, speedo	alternative
53	023.654	1	Retainer	
54	162.077	1	Screw	
55	164.012	1	Washer, spring	
56	163.010	1	Washer, plain	
57	162.737	2	Screw	

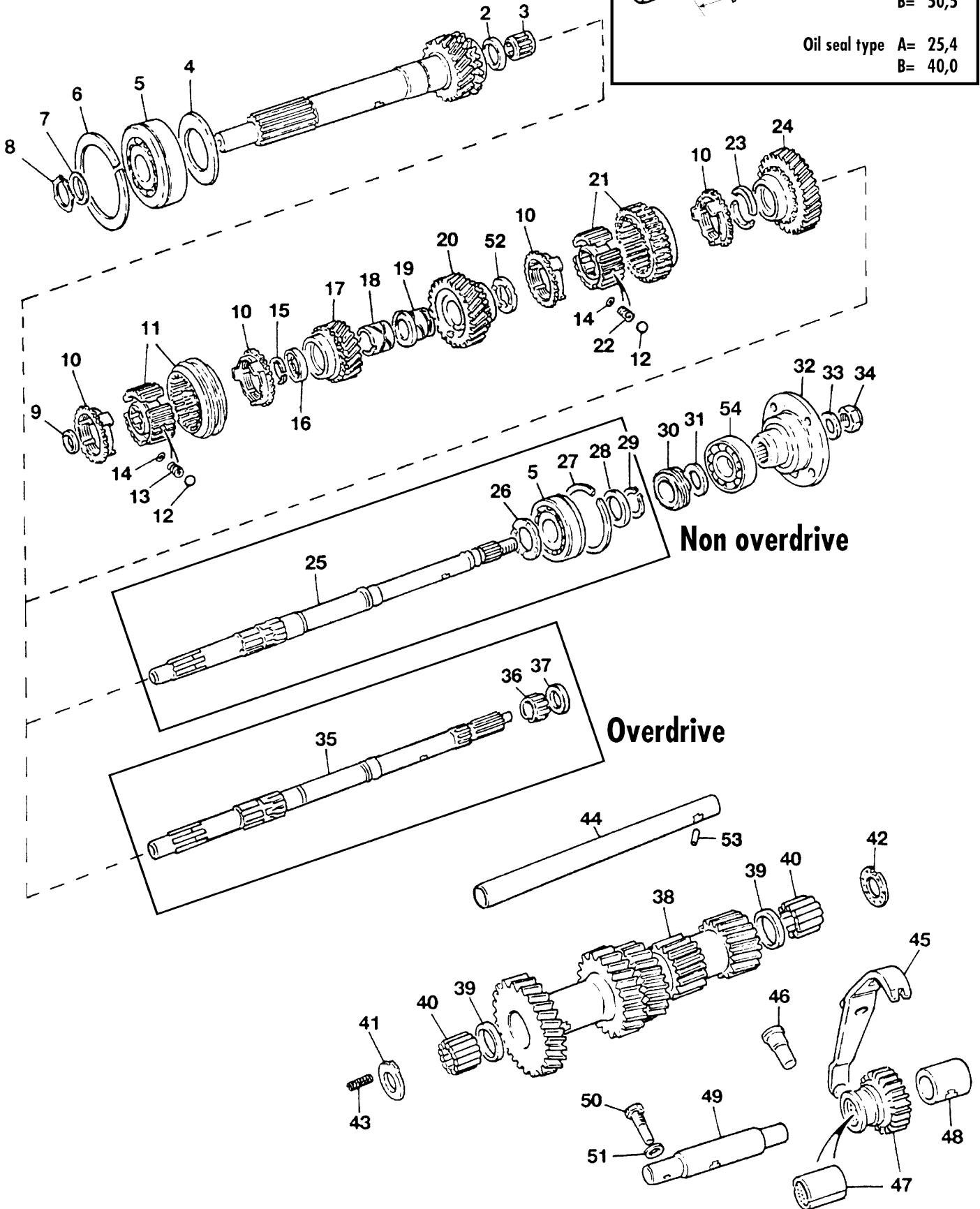
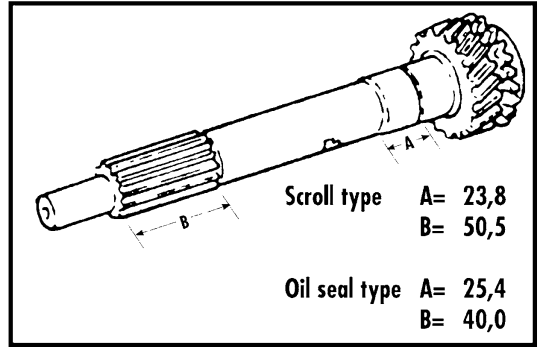
ILL N°	PART N°	QTY	DESCRIPTION	APPLICATION
58	162.020	6	Screw	
59	164.002	8	Washer, spring	
60	023.657	1	Reverse lift plate	
61	162.077	1	Screw	
62	164.012	1	Washer, spring	
63	016.241	1	Gasket, cover to case	
64	162.076	9	Screw	
65	164.012	9	Washer, spring	
66	023.979	1	Spool interlock plate	
67	023.980	1	Selector shaft	
68	172.283	1	Pin	
69	023.981	1	Interlock	
70	023.784	1	Yoke	
71	023.982	1	Pin	
72	023.523	1	Yoke-seat	
	023.983	1	Yoke-seat, alternative	
73	172.378	1	Circlip	
74	023.984	1	Cover plate	
75	016.242	1	Gasket, cover	
76	162.076	2	Screw	
77	164.012	2	Washer, spring	
78	162.203	2	Bolt	
79	162.515	7	Screw	
80	164.012	7	Washer, spring	
81	023.985	1	Connector block	
82	162.734	2	Locating pin	
83	023.986	1	Selector shaft	
84	023.987	1	Actuator	
85	172.552	1	Pin, roll	
86	023.988	2	Bush	
87	023.690	1	Screw plug	
88	023.658	1	Pin, short	
89	023.659	1	Pin, long	from FR1687
90	162.096	2	Bolt	
91	164.002	4	Washer, spring	
92	162.096	2	Bolt	
93	023.989	1	Shaft, selector forks	
94	023.990	1	Fork 3rd & 4th	
95	023.520	1	Fork 1st & 2nd	
96	023.991	1	Retainer, gear lever	
97	023.992	1	Gear lever	non overdrive
98	161.433	1	Lock nut	
99	023.807	1	Gear knob	non overdrive
	023.993	1	Gear knob, alternative	non overdrive
	023.994	1	Gear knob, alternative	non overdrive
	023.995	1	Gear knob, alternative	non overdrive
	023.996	1	Gear knob, alternative	non overdrive
100	023.997	1	Gear lever, overdrive	overdrive
101	161.293	1	Cone nut, chrome	overdrive
102	023.367	1	Body, gear knob	overdrive
103	161.294	1	Lock nut, knob	overdrive
104	023.370	1	Switch, O/D control	overdrive
105	162.890	2	Screw, switch	overdrive
106	086.067	1	Cap	overdrive
107	135.356	1	Retainer plate	
108	121.361	1	Gear lever gaiter	
109	162.165	4	Screw	
110	163.106	4	Washer, plain	
111	023.521	1	Nylon plugner	
112	023.522	1	Spring, anti-rattle	
113	023.266	1	Bearing	



Info

Gearbox up to FR 33414, no oil seal

Gearbox from FR 33414, with oil seal





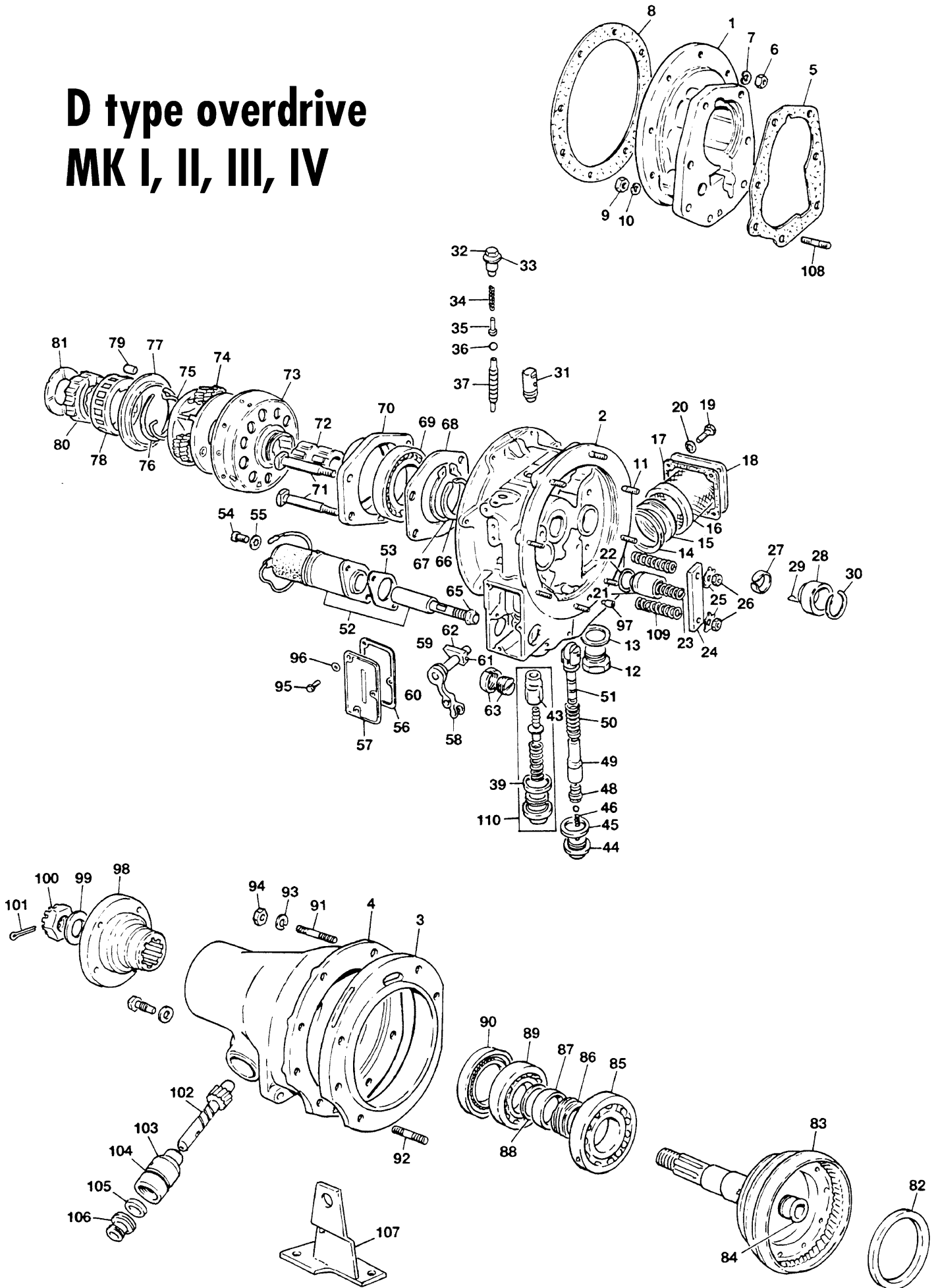
55

ILL N°	PART N°	QTY	DESCRIPTION	APPLICATION
1	023.648	1	Input shaft, scroll type	to FR33414
	023.998	1	Input shaft, oil seal type	from FR33415
2	023.519	1	Spacer	
3	023.267	1	Bearing, input shaft	
4	023.641	1	Oil thrower	
5	023.265	2	Bearing, front and central	
6	023.642	1	Circlip	
7	023.643	1	Spacer washer	to FR33414
8	023.645	1	Circlip	
9	023.518	1	Spacer	
10	023.269	4	Synchro ring	
11	023.942	1	Synchro hub and sleeve 3rd and 4th gear	
12	023.107	6	Ball	
13	023.803	3	Spring	
14	023.720	6	Shim	
15	172.284	1	Circlip	
16	023.596	1	Thrust washer	
17	023.465	1	3rd Gear	
	023.464	1	3rd Gear, alternative	
18	023.813	1	Bush, 3rd gear	
19	023.811	1	Bush, 2nd gear	
20	023.467	1	2nd Gear	
21	023.420	1	Synchro hub, 1st & 2nd	33 teeth
	023.999	1	Synchro hub, 1st & 2nd	29 teeth
22	023.522	3	Spring	
23	023.517	1	Split collar	
24	026.001	1	1st Gear	
25	026.003	1	Mainshaft	non overdrive
26	026.002	1	Washer	
	023.953	1	Washer, second type	
27	023.642	1	Circlip	
28	023.767	A/R	Thrust washer 0.120"	
	023.768	A/R	Thrust washer 0.123"	
	023.769	A/R	Thrust washer 0.126"	
	023.770	A/R	Thrust washer 0.129"	

ILL N°	PART N°	QTY	DESCRIPTION	APPLICATION
29	023.644	1	Circlip	
30	023.495	1	Speedo drive gear	non overdrive
31	023.672	1	Washer	non overdrive
32	023.673	1	Flange	non overdrive
33	023.674	1	Washer	
34	161.378	1	Nut	
35	026.004	1	Mainshaft	overdrive
36	023.267	1	Needle bearing	overdrive
37	023.518	1	Washer	overdrive
38	023.271	1	Laygear 15 teeth, use only with 21 teeth reverse gear type !	
	023.272	1	Laygear 13 teeth, use only with 17 teeth reverse gear type !	
39	023.676	4	Retaining ring	
40	023.268	50	Needle roller	
41	023.675	1	Thrust washer, front	
42	023.678	1	Thrust washer, rear	
43	023.646	3	Spring end float control lay gear	
44	023.270	1	Layshaft	
45	026.005	1	Reverse operating lever	
46	026.006	1	Pivot pin	
47	023.273	1	Reverse gear, 21 teeth	
	023.274	1	Reverse gear, 17 teeth	
48	026.007	1	Spacer	
49	023.966	1	Spindle reverse gear	
50	162.891	1	Screw, locating	
51	164.002	1	Washer, spring	
52	023.763	A/R	Thrust washer 0.199"	
	023.764	A/R	Thrust washer 0.203"	
	023.765	A/R	Thrust washer 0.205"	
	023.766	A/R	Thrust washer 0.208"	
53	023.677	1	Dowel Pin	
54	023.266	1	Bearing, rear	
55	020.246	1	1300, 5 speed kit	
	020.247	1	1500, 5 speed kit	



D type overdrive MK I, II, III, IV



'D' type overdrive: Spitfire MKI, II, III, IV



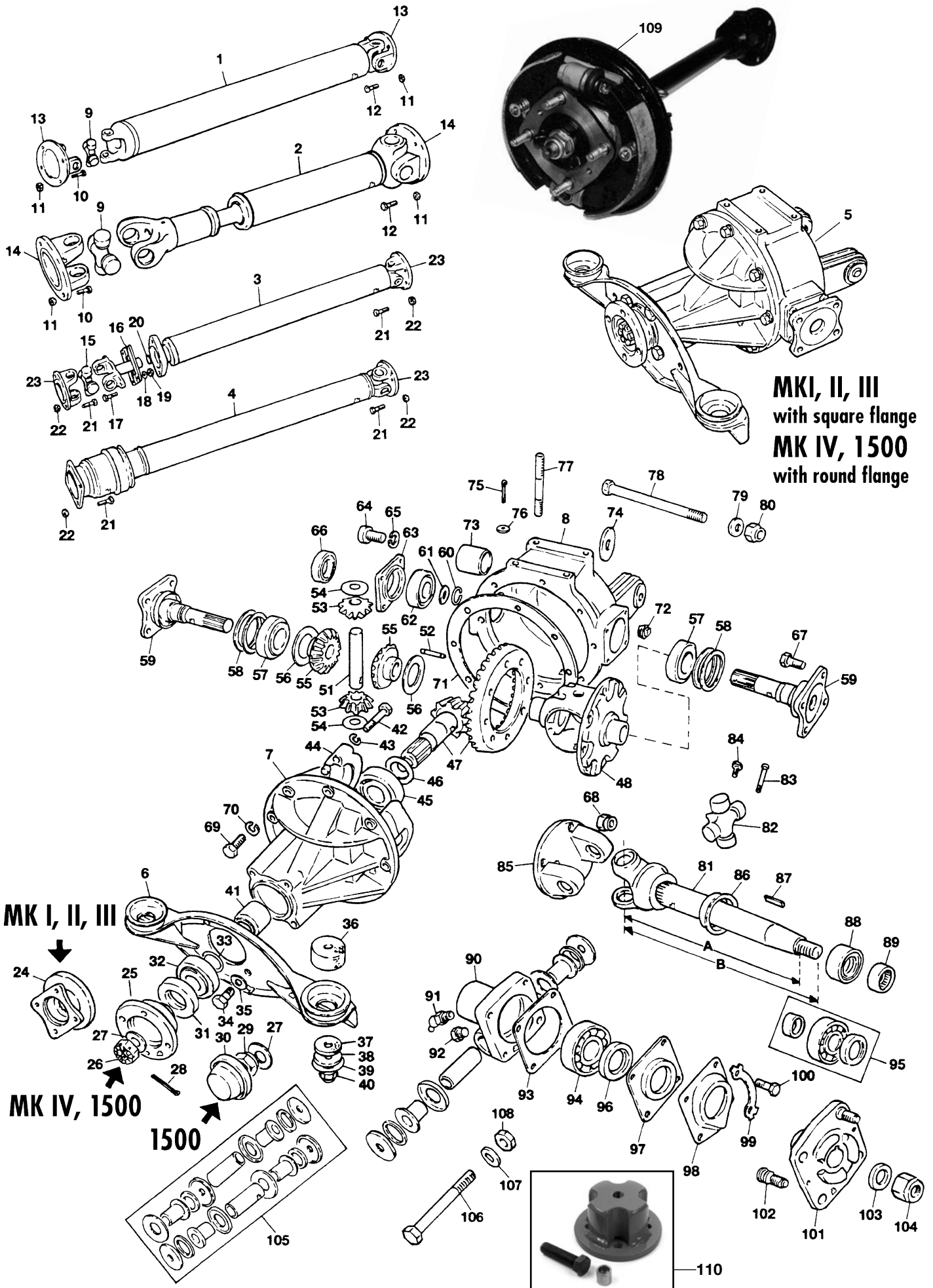
ILL N°	PART N°	QTY	DESCRIPTION	APPLICATION
1	025.236	1	Adaptor plate	MKI, II, III
	025.237	1	Adaptor plate	MKIV
2	025.238	1	Main casing	MKI, II, III
	025.239	1	Main casing	MKIV
3	025.240	1	Brake ring	
4	025.241	1	Rear casing	
5	016.387	1	Gasket, adaptor	
6	161.019	8	Nut	
7	164.012	8	Washer, spring	
8	016.167	1	Gasket	
9	161.002	6	Nut	
	161.008	1	Nut, flat	
10	164.002	7	Washer, spring	
11	167.030	7	Stud, short	
	167.028	1	Stud, long	
12	025.002	1	Plug, oil drain	
13	168.097	1	Washer, plug	
14	025.003	1	Sealing plate	
15	025.171	1	Magnet set	
16	025.005	1	Filter, oil	
17	016.055	1	Gasket, filter cover	
18	025.006	1	Cover plate, filter	
19	162.077	4	Screw	
20	164.007	4	Washer, shakeproof	
21	025.021	2	Piston	
22	025.022	2	Seal, piston	
23	025.242	2	Spring, operation piston	
24	025.020	2	Bridge bar	
25	174.016	4	Washer, tab	
26	161.019	4	Nut	
27	172.040	1	Ring, spring	
28	025.243	1	Cam, oil pump	
29	172.005	1	Key	
30	025.051	1	Snap ring	
31	025.244	1	Breather	
32	025.181	1	Plug, valve	
33	168.019	1	Washer, copper	
34	025.182	1	Spring, plugner	
35	025.183	1	Plugner	
36	023.107	1	Ball	
37	025.245	1	Valve, operating assembly	
39	168.097	1	Washer, plain	
43	025.084	1	'O' Ring	
44	025.047	1	Plug, pump valve	
45	168.025	1	Washer for plug	
46	025.046	1	Spring valve	
47	025.246	1	Pin, locating	MKIV
48	025.044	1	Non return valve	
49	025.043	1	Body, pump	
50	025.042	1	Spring for plugner	
51	025.041	1	Oil pump plugner	
52	081.047	1	Solenoid	
53	016.057	1	Gasket	
54	162.793	2	Screw	
55	164.016	2	Washer, shakeproof	
56	016.056	1	Gasket, side plate	
57	025.008	1	Side plate	
58	025.247	1	Lever	MKI, II, III
	025.248	1	Lever	MKIV
59	025.143	1	'O' Ring	
60	025.014	1	Locating pin, lever	

ILL N°	PART N°	QTY	DESCRIPTION	APPLICATION
61	172.291	1	Locating pin, cam	
62	025.249	1	Cam, operating valve	
63	025.250	1	Screw, solenoid adj.	
65	161.336	1	Nut	
66	025.023	1	Ring, snap	
67	025.051	1	Circlip	
68	025.251	1	Plate retainer	
69	025.027	1	Bearing	
70	025.252	1	Housing, bearing	
71	025.253	4	Bolt	
72	025.254	1	Sun gear	
73	025.030	1	Clutch assembly	
74	025.255	1	Planet gear carrier ass.	MKI, II, III
	025.033	1	Planet gear carrier ass.	MKIV
	025.220	6	Bearing, needle roller set	
	025.014	3	Mills pin	
75	025.036	1	Spring	
76	025.067	1	Ring, spring	
77	025.068	1	Plate retaining	
78	025.034	1	Cage	
79	025.035	1	Roller set	
80	025.037	1	Clutch centre	
81	025.069	1	Washer, thrust	
82	xxxxxxx	1	Bearing face	
83	025.257	1	Annulus (incl.N°82)	
84	025.070	1	Spigot bearing	
85	025.053	1	Bearing, front	MKI, II, III
	032.230	1	Bearing, front	MKIV
86	025.258	1	Drive gear, speedo	MKI, II, III
	025.256	1	Drive gear, speedo	MKIV
87	025.055	1	Tube, spacer	
88	025.056	A/R	Shim 0.105"	
	025.057	A/R	Shim 0.100"	
	025.058	A/R	Shim 0.095"	
	025.059	A/R	Shim 0.090"	
	025.060	A/R	Shim 0.085"	
89	023.244	1	Bearing, rear	
90	025.062	1	Oil seal, rear	
91	167.030	6	Stud, short	
92	167.032	2	Stud, long	
93	164.012	8	Washer, spring	
94	161.019	8	Nut	
95	162.051	3	Screw, side plate	
96	164.016	3	Washer, shakeproof	
97	025.259	1	Screw, pump body	
98	025.260	1	Flange	MKI, II, III
	025.261	1	Flange	MKIV
99	163.117	1	Washer, plain	
100	161.396	1	Nut, slotted	MKI, II, III
	161.052	1	Nut, nyloc	MKIV
101	172.336	1	Split pin	
102	025.262	1	Gear, driving	
103	025.065	1	Bearing	
104	025.066	1	'O' Ring	
105	025.263	1	Oil seal	
106	025.264	1	End piece	
107	025.265	1	Bracket, switch	MKI, II, III
108	167.176	7	Stud exten. to gearbox	
109	025.024	1	Spring set	
110	025.049	1	Valve ass. relief	



ILL N°	PART N°	QTY	DESCRIPTION	APPLICATION
1	025.236	1	Adaptor plate	MKIV 3 rail
2	025.266	1	Adaptor plate	single rail gearbox
3	025.267	1	Main casing	
4	025.268	1	Rear casing	MKIV
	025.269	1	Rear casing	1500
5	016.387	1	Gasket, adaptor plate	MKIV 3 rail
6	167.176	7/2	Stud	
	162.022	5	Screw	
7	164.002	7	Washer, spring	
8	161.002	7/2	Nut	
9	164.012	8	Washer, spring	
10	161.019	8	Nut	
11	016.240	1	Gasket, adaptor	
12	162.893	8	Screw	
13	164.002	8	Washer, spring	
14	164.012	8	Washer, spring	
15	161.019	8	Nut	
16	016.167	1	Gasket	
17	171.025	1	Spring	
18	023.650	1	Plugner	
19	023.649	1	Plug	
20	167.177	1	Stud set, 6 pieces	
21	167.030	2	Stud, short	
22	025.270	2	Piston	
23	025.087	2	'O' Ring	
24	025.177	2	Bridge bar	
25	174.016	4	Lock, nut	
26	025.271	1	Cam, pump	
27	172.005	1	Key	
28	025.051	1	Circlip	
29	025.051	1	Circlip	
30	025.228	1	Solenoid assembly	
31	025.153	1	Washer, copper	
32	025.147	1	'O' Ring	
33	025.149	1	Filter, pressure	
34	025.148	1	Washer	
35	025.272	1	Screwed plug	
36	025.150	1	Filter	
37	025.109	1	Magnet set	
38	025.273	1	Cover, sump	
39	162.475	6	Screw	
40	164.016	6	Washer, shakeproof	
41	025.151	1	Gasket, sump	
42	025.274	1	Name plate	
43	025.275	2	Drive screw	
44	025.276	1	Pump, plugner ass.	
45	025.277	1	Pump body kit	
46	025.146	1	'O' Ring	
47	025.092	1	Non return valve kit	
48	025.093	1	Pump plug kit	
49	025.083	1	'O' Ring	
50	025.086	1	'O' Ring	
51	025.278	1	Body, relief valve	
52	025.279	1	'O' Ring, large	
53	025.280	1	Dashpot sleeve	
54	025.279	1	'O' Ring, large	

ILL N°	PART N°	QTY	DESCRIPTION	APPLICATION
55	025.280	1	Relief valve ass.	
56	025.281	1	Spring, relief valve	
57	025.282	1	Piston, dashpot	
58	025.284	1	Dashpot plug kit	
59	025.144	1	'O' Ring	
60	025.285	1	Relief valve kit	
61	025.086	1	'O' Ring, small	
62	025.279	1	'O' Ring, large	
63	025.160	1	'O' Ring, large	
64	025.284	1	Dashpot plug kit	
65	025.144	1	'O' Ring	
66	016.402	1	Gasket	
67	025.286	1	Brake ring	
68	167.179	1	Stud, short set of 4	
69	167.180	1	Stud, long set of 2	
70	025.287	1	Circlip, sun gear	
71	025.288	1	Circlip, clutch	
72	025.289	1	Snap ring, bearing	
73	025.165	1	Bearing, clutch	
74	025.290	1	Bearing housing ass.	
75	162.894	4	Bolt	
76	025.234	1	Clutch ass.	
77	025.291	1	Sungear	
78	025.292	1	Planet gear carrier ass.	
79	025.067	1	Snap ring	
80	025.293	1	Oil thrower	
81	025.034	1	Cage	
82	025.294	1	Inner member	
83	025.035	1	Roller set (12)	
84	025.295	1	Thrust washer	
85	025.296	1	Annulus	
86	025.124	1	Bearing, front	
87	025.297	1	Gear, speedo (5teeth)	3.89:1 ratio axle
	025.298	1	Gear, speedo	3.63:1 ratio axle
88	016.403	1	Gasket	
89	025.299	1	Spacer	
90	163.161	2	Washer, plain	
91	164.065	4	Washer, spring	
92	161.491	6	Nut	
93	025.125	1	Bearing, rear	
94	025.126	1	Oil seal	
95	025.300	1	Flange	
96	163.162	1	Washer, plain	
97	161.303	1	Nut, nyloc	
98	025.301	1	Pinion, speedo (18teeth)	3.89:1 ratio axle
	025.302	1	Pinion, speedo	3.63:1 ratio axle
99	025.154	1	'O' Ring	
100	025.235	1	Housing, pinion	
101	016.050	1	Oil seal	
102	025.303	1	Clamp	
103	025.158	1	Retainer, pinion	
104	162.076	1	Screw	
105	164.007	1	Washer, shakeproof	
106	025.304	1	Earth wire, solenoid	
107	025.305	1	Set of four Springs	
108	025.113	1	Bearing & axle set	



Propshaft, differential and drive shafts



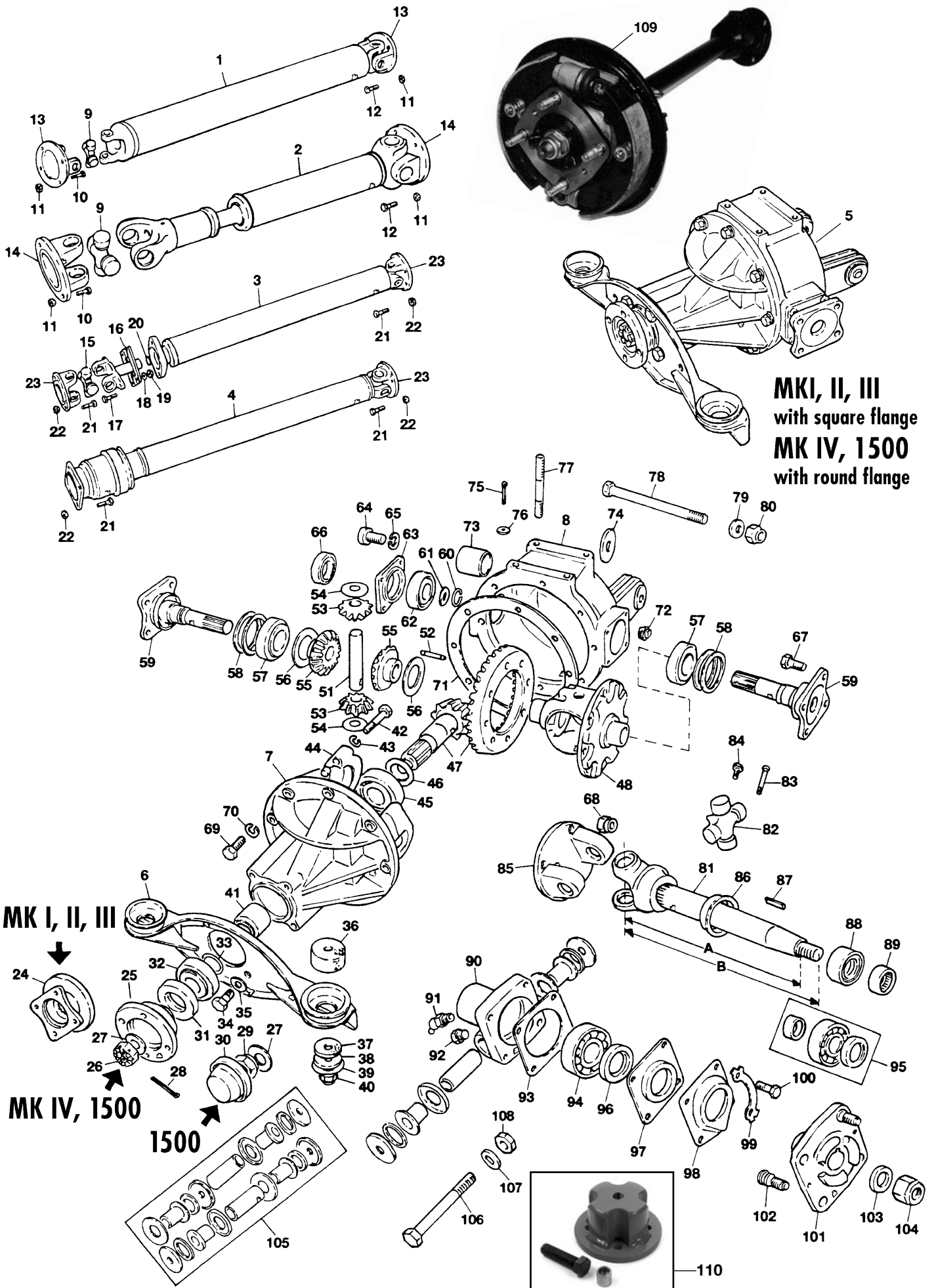
ILL N°	PART N°	QTY	DESCRIPTION	APPLICATION
1	134.241	1	Prop. shaft standard	MKI, II, III
	134.369	1	Prop. shaft overdrive	MKI, II, III
2	134.268	1	Prop. shaft standard	MKIV (alternative for 1500)
	134.269	1	Prop. shaft overdrive	MKIV (alternative for 1500)
3	134.268	1	Prop. shaft standard	MKIV to FM110572/ FH134143
	134.370	1	Prop. shaft overdrive	MKIV to FM110572/ FH134143
4	134.239	1	Prop. shaft standard	MKIV, 1500 single rail g/box
	134.240	1	Prop. shaft overdrive	MKIV, 1500 single rail g/box
5	030.028	1	Differential 4.11:1	MKI, II, III overdrive
	030.043	1	Differential 3.89:1	MKIV
	030.044	1	Differential 3.63:1	1500
6	032.532	1	Mounting bracket	MKI to FC27520
	032.533	1	Mounting bracket	MKI, II, III, IV, 1500
7	032.534	1	Housing, front	
8	032.535	1	Housing, rear	MKI, II, III
	032.536	1	Housing, rear	MKIV, 1500
9	032.045	2	Universal joint	
10	162.436	4	Bolt, gearbox side	3/8" UNF
11	161.337	8	Nut, nylon lock	3/8" UNF
12	162.436	4	Bolt, diff. side	3/8" UNF
13	032.537	2	Flange	MKI, II, III
14	032.538	2	Flange	MKIV
15	032.100	2	Universal joint	
16	032.401	8	Drive strap	
17	162.437	4	Bolt	
18	163.005	4	Washer, plain	
19	161.025	4	Nut, nylon lock	
20	032.539	1	'O' Ring	
21	162.438	8	Bolt	3/8" UNF
22	161.337	8	Nut, nylon lock	3/8" UNF
23	032.223	1/2	Flange	
24	032.540	1	Flange differential	MKI, II, III
25	033.136	1	Flange differential	MKIV up to 1973
	032.541	1	Flange differential	MKIV, 1973 on & 1500
26	161.415	1	Nut, slotted	
27	032.180	1	Washer, plain	
28	172.324	1	Split pin	
29	161.416	1	Nut nylon lock	
30	023.809	1	Dust cap	MKIV, 1500 1973-on
31	032.213	1	Oil seal, front	MKI, II, III
	032.185	1	Oil seal, front	MKIV, 1500
32	032.318	1	Bearing, front	MKI, II, III
	032.187	1	Bearing, front	MKIV, 1500
33	032.543	A/R	Pinion shim .010"	MKI, II, III
	032.544	A/R	Pinion shim .005"	MKI, II, III
	032.545	A/R	Pinion shim .003"	MKI, II, III
	032.542	A/R	Pinion shim .030"	MKIV, 1500
	032.305	A/R	Pinion shim .010"	MKIV, 1500
	032.304	A/R	Pinion shim .005"	MKIV, 1500
34	032.303	A/R	Pinion shim .003"	MKIV, 1500
	162.763	4	Bolt	
35	164.033	4	Washer, shakeproof	
36	032.183	2	Mounting rubber, upper	standard version
	032.529	2	Mounting rubber, upper	polyurethane
37	032.184	2	Mounting rubber, lower	standard
	032.528	2	Mounting rubber, lower	polyurethane

ILL N°	PART N°	QTY	DESCRIPTION	APPLICATION
38	163.163	2	Washer 3/8" x 1.3/4"	
39	163.164	A/R	Washer, distance	MKI, II, III
	163.165	1	Washer, distance	MKIV, 1500 LH side only!
40	161.337	2	Nut, nyloc	
41	032.507	1	Solid bearing spacer	MKI, II, III, IV to mid 1973
	032.466	1	Collapsible spacer	MKIV, 1500 from mid 1973
42	162.896	4	Bolt, bearing cap	
43	164.006	4	Washer, spring	
44	032.546	4	Bush, bearing cap	
45	032.319	1	Bearing, rear	MKI, II, III
	032.188	1	Bearing, rear	MKIV, 1500
46	032.305	A/R	Shim .010"	MKI, II, III
	032.304	A/R	Shim .005"	MKI, II, III
	032.547	A/R	Shim .003"	MKI, II, III
	032.494	A/R	Shim .075"	MKIV, 1500
	032.514	A/R	Shim .077"	MKIV, 1500
	032.495	A/R	Shim .0765"	MKIV, 1500
	032.496	A/R	Shim .078"	MKIV, 1500
	032.515	A/R	Shim .079"	MKIV, 1500
	032.497	A/R	Shim .0795"	MKIV, 1500
	032.516	A/R	Shim .080"	MKIV, 1500
	032.498	A/R	Shim .081"	MKIV, 1500
	032.518	A/R	Shim .082"	MKIV, 1500
	032.499	A/R	Shim .0825"	MKIV, 1500
	032.519	A/R	Shim .083"	MKIV, 1500
	032.500	A/R	Shim .084"	MKIV, 1500
	032.520	A/R	Shim .085"	MKIV, 1500
032.501	A/R	Shim .0855"	MKIV, 1500	
032.521	A/R	Shim .086"	MKIV, 1500	
032.530	A/R	Shim .087"	MKIV, 1500	
032.531	A/R	Shim .0885"	MKIV, 1500	
032.502	A/R	Shim .090"	MKIV, 1500	
032.503	A/R	Shim .0915"	MKIV, 1500	
032.504	A/R	Shim .093"	MKIV, 1500	
032.505	A/R	Shim .0945"	MKIV, 1500	
032.506	A/R	Shim .096"	MKIV, 1500	
47	032.548	1	Crown wheel & pinion	4.11:1 MKI, II, III
	032.549	1	Crown wheel & pinion	3.89:1 MKI, II, III
	032.550	1	Crown wheel & pinion to be used with solid spacer	3.89:1 MKIV to mid '73
032.286	1	Crown wheel & pinion to be used with collapsible spacer	3.89:1 MKIV '73- or 1500	
032.551	1	Crown wheel & pinion	3.63:1 1500	
48	032.553	1	Casing	MKI, II, III
	032.554	1	Casing	MKIV to FH106101-FM67065
	032.555	1	Casing	MKIV, 1500 from FH106102
	032.555	1	Casing	MKIV, 1500 from FM67065
	032.556	1	Casing	MKIV, 1500 Suisse
51	032.560	1	Pin, cross diff.	MKI, II, III
	032.561	1	Pin, cross diff.	MKIV to FH106101-FM67065
	032.484	1	Pin, cross diff.	MKIV, 1500 FH106102 on
52	032.484	1	Pin, cross diff.	MKIV, 1500 FM67066 on
	032.478	1	Pin, locating	up to FH106101-FM67065
	032.562	1	Pin, locating	MKIV, 1500 from FH106102
032.562	1	Pin, locating	MKIV, 1500 from FM67066	

Continues next page >>>



Propshaft, differential and drive shafts



MK I, II, III
with square flange
MK IV, 1500
with round flange

MK I, II, III

MK IV, 1500

1500

Propshaft, differential and drive shafts

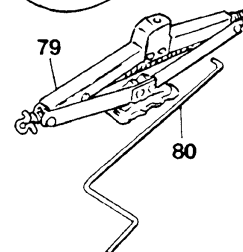
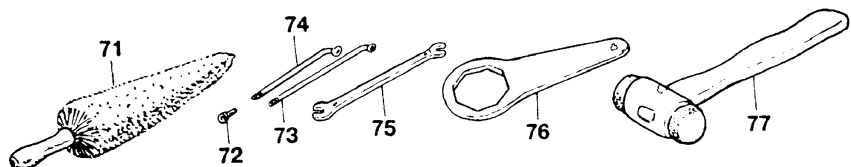
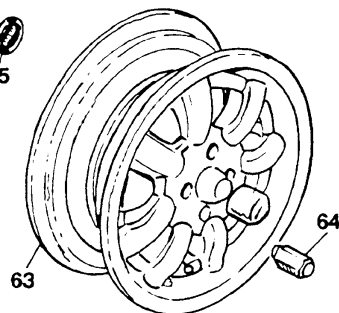
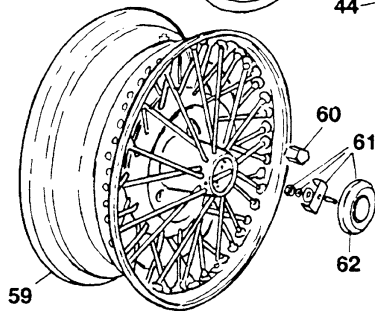
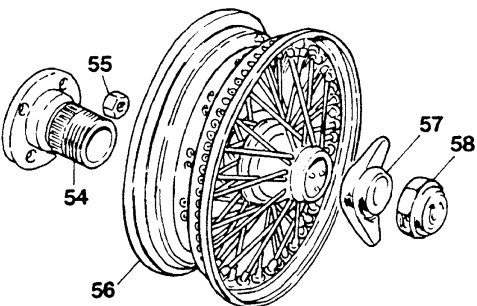
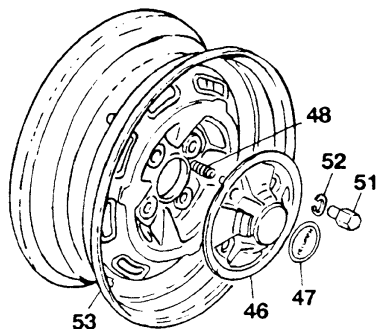
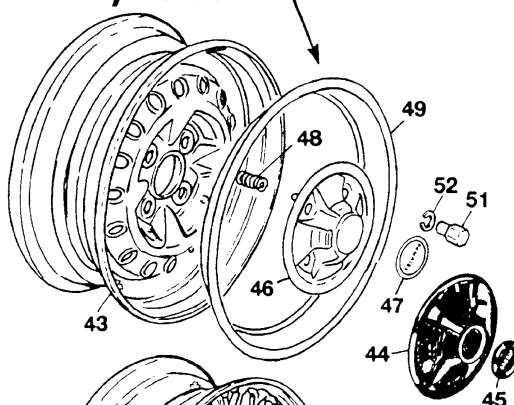
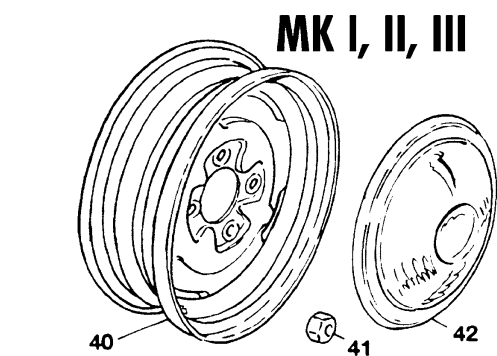
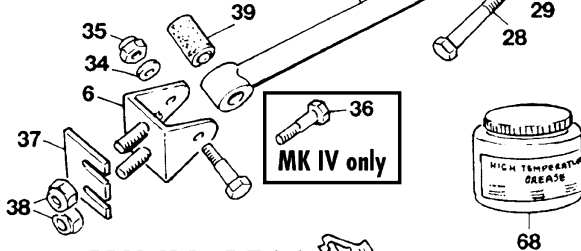
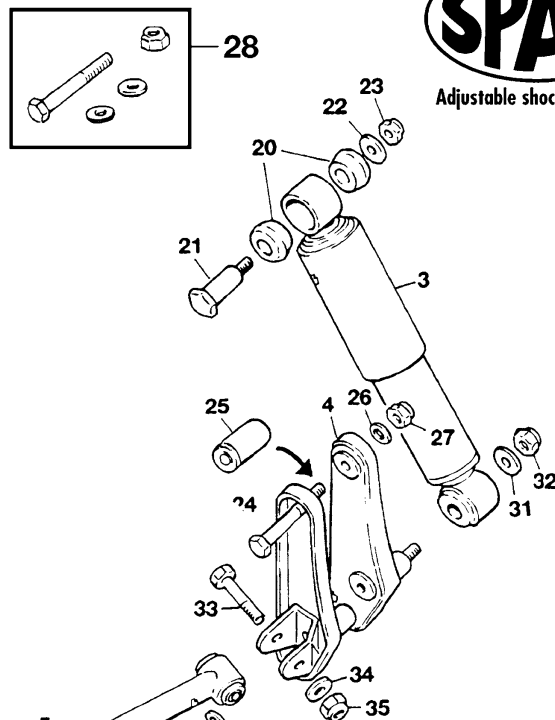
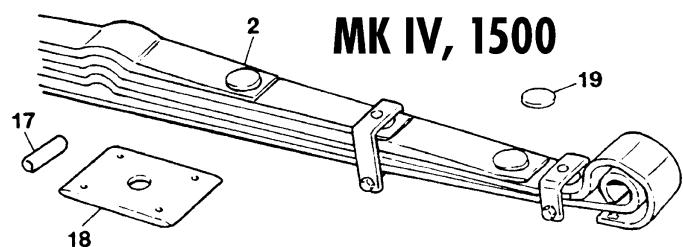
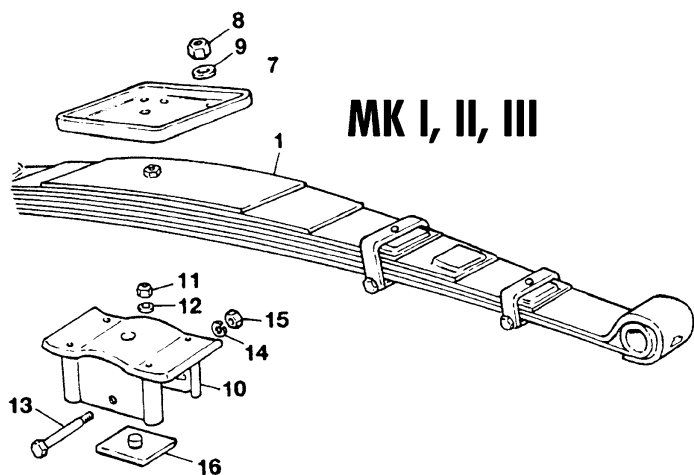


ILL N°	PART N°	QTY	DESCRIPTION	APPLICATION
53	032.563	2	Planet gear	MKI, II, III
	032.353	2	Planet gear	MKIV to FH106101-FM67065
	032.483	2	Planet gear	MKIV, 1500 from FH106102
	032.483	2	Planet gear	MKIV, 1500 from FM67066
54	032.564	A/R	Thrust washer .036"	MKI, II, III
	032.565	A/R	Thrust washer .040"	MKI, II, III
	032.566	A/R	Thrust washer .044"	MKI, II, III
	032.567	A/R	Thrust washer .048"	MKI, II, III
	032.568	A/R	Thrust washer .052"	MKI, II, III
	032.569	A/R	Thrust washer .056"	MKI, II, III
	032.570	A/R	Thrust washer .027"	MKIV to FH106101-FM67065
	032.571	A/R	Thrust washer .029"	MKIV to FH106101-FM67065
	032.572	A/R	Thrust washer .031"	MKIV to FH106101-FM67065
	032.573	A/R	Thrust washer .033"	MKIV to FH106101-FM67065
	032.574	A/R	Thrust washer .035"	MKIV to FH106101-FM67065
	032.575	A/R	Thrust washer .037"	MKIV to FH106101-FM67065
	032.403	A/R	Thrust washer .039"	MKIV to FH106101-FM67065
	032.402	A/R	Thrust washer .041"	MKIV to FH106101-FM67065
	032.576	A/R	Thrust washer .043"	MKIV to FH106101-FM67065
	032.485	A/R	Shim .69mm	MKIV, 1500 from FH106102-FM67066
	032.486	A/R	Shim .74mm	MKIV, 1500 from FH106102-FM67066
	032.487	A/R	Shim .79mm	MKIV, 1500 from FH106102-FM67066
	032.488	A/R	Shim .84mm	MKIV, 1500 from FH106102-FM67066
	032.489	A/R	Shim .89mm	MKIV, 1500 from FH106102-FM67066
032.490	A/R	Shim .94mm	MKIV, 1500 from FH106102-FM67066	
032.491	A/R	Shim .99mm	MKIV, 1500 from FH106102-FM67066	
032.492	A/R	Shim 1.04mm	MKIV, 1500 from FH106102-FM67066	
032.493	A/R	Shim 1.09mm	MKIV, 1500 from FH106102-FM67066	
032.577	A/R	Shim 1.14mm	MKIV, 1500 from FH106102-FM67066	
032.578	A/R	Shim 1.19mm	MKIV, 1500 from FH106102-FM67066	
55	032.579	2	Sunwheel 16teeth	MKI, II, III
	032.580	2	Sunwheel	MKIV to FH106101-FM67065
	032.581	2	Sunwheel	MKIV, 1500 from FH106102-FM67066
56	032.582	2	Thrust washer	MKI, II, III
	032.226	2	Thrust washer	MKIV, 1500
57	032.457	2	Bearing, diff.carrier	MKI, II, III
	032.189	2	Bearing, diff.carrier	MKIV to FH106101
	032.190	2	Bearing, diff.carrier	MKIV, 1500 from FH106102 24.8 mm I.D.
58	032.583	A/R	Shim carrier .020"	MKI, II, III
	032.584	A/R	Shim carrier .014"	MKI, II, III
	032.585	A/R	Shim carrier .013"	MKI, II, III
	032.586	A/R	Shim carrier .009"	MKI, II, III
	032.523	A/R	Shim, carrier .003"	MKIV, 1500
	032.524	A/R	Shim, carrier .005"	MKIV, 1500
	032.479	A/R	Shim, carrier .095"	MKIV, 1500
032.480	A/R	Shim, carrier .020"	MKIV, 1500	
59	032.587	2	Output shaft	MKI, II, III
	054.283	2	Output shaft	MKIV, 1500
60	032.588	2	Circlip, bearing	MKI, II, III
	032.513	2	Circlip, bearing	MKIV, 1500
61	032.589	2	Washer, thrust	MKI, II, III only!
62	032.191	2	Bearing, output shaft	MKI, II, III
	023.244	2	Bearing, output shaft	MKIV, 1500

ILL N°	PART N°	QTY	DESCRIPTION	APPLICATION
63	032.590	2	Retainer seal, bearing	MKI, II, III
	032.591	2	Retainer seal, bearing	MKIV, 1500
64	162.897	8	Screw, socket headed	
65	164.012	8	Washer, spring	
66	032.186	2	Oil seal	
67	162.436	8	Bolt	MKI, II, III
	162.437	8	Bolt	MKIV, 1500
68	161.330	8	Nut, nyloc	MKI, II, III
	161.337	8	Nut, nyloc	MKIV, 1500
69	162.020	8	Screw	
70	164.002	8	Washer, spring	
71	016.161	1	Gasket	
72	011.341	2/1	Filler or drain plug	
73	032.181	2	Mounting bush	
74	032.182	2	Spacer	MKIV only !
75	172.294	1	Split pin, breather	
76	023.686	1	Core plug	
77	167.075	6	Stud	MKI, II, III
	167.059	4	Stud	MKIV, 1500
78	162.391	1	Bolt, diff.to chassis	
79	163.130	1	Washer, plain	
80	161.079	1	Nut, nyloc	
81	134.044	2	Drive shaft 'A' = 47cm B = 49.5cm	MKI, II, III, IV to 06/'73 up to FH50000
	134.045	2	Drive shaft 'A' = 49.5cm B = 52cm	MKIV, 1500 July 1973-on from FH50001
82	032.100	2	Universal joint	sealed type
	032.045	2	Universal joint	with grease nipple, remove nipple before driving
83	032.046	2	Grease nipple	
84	041.405	2	Plug, replaces nipple	
85	032.592	2	Flange, yoke	MKI, II, III
	032.223	2	Flange, yoke	MKIV, 1500
86	031.016	2	Stone guard	
87	172.187	2	Key	
88	032.214	2	Inner oil seal	
89	032.460	2	Needle bearing	
90	032.175	2	Rear hub, housing	
91	032.313	2	Plug, grease nipple	
92	011.555	2	Plug	
93	032.593	2	Gasket	
94	032.461	2	Bearing, outer	
95	032.101	2	BEARING KIT, included oil seal	
96	032.212	2	Oil seal, outer	
97	032.177	2	Plate, retainer	
98	032.178	2	Shield, grease	
99	174.021	4	Tab washer	
100	162.020	8	Screw	
101	032.179	2	Drive flange, less studs	
102	167.058	8	Stud	
103	032.180	2	Washer	
104	161.334	2	Nut, nyloc, thin	
105	041.100	1	BUSHING KIT, 2 sides	
106	162.036	2	Bolt	
107	164.054	4	Washer, plain	
108	161.079	2	Nut, nyloc	
109	030.073	1	RH shaft + brakes	1500
	030.074	1	LH shaft + brakes	1500
	030.077	1	RH shaft + brakes	MKI, II, III
	030.078	1	LH shaft + brakes	MKI, II, III
	030.071	1	RH shaft + brakes	MKIV
	030.072	1	LH shaft + brakes	MKIV
	030.079	1	RH shaft (long) + brakes	MKIV
	030.080	1	LH shaft (long) + brakes	MKIV
110	200.915	1	Puller, rear flange	



Adjustable shock absorbers



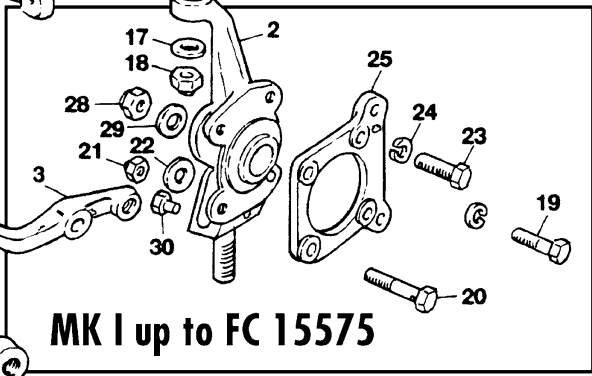
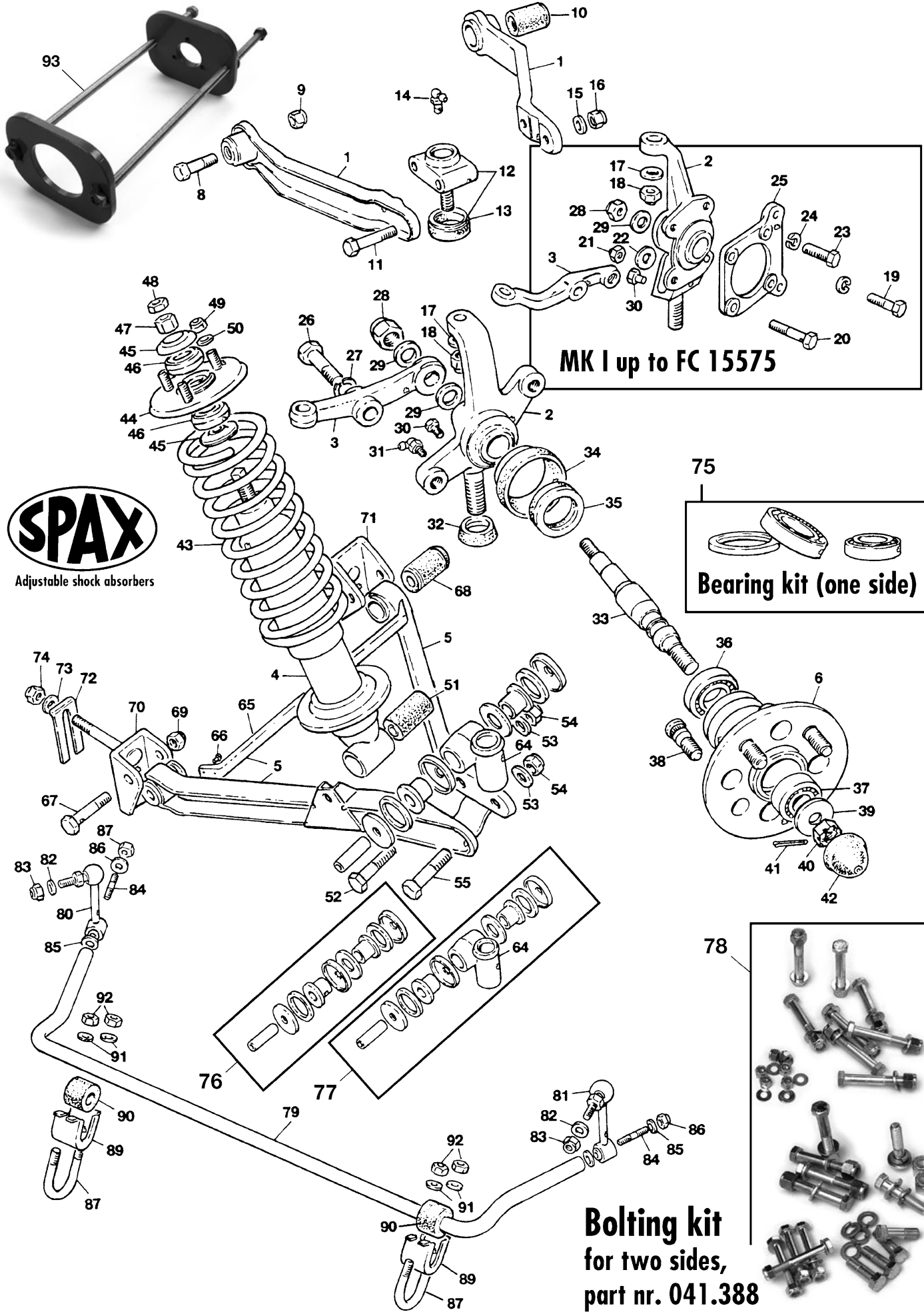


ILL N°	PART N°	QTY	DESCRIPTION	APPLICATION
1	042.103	1	Spring assembly incl.bush N°25	MKI, II, III original specification
	042.583	1	Spring assembly incl.bush N°25	MKI, II, III IMPROVED SPECIFICATION
2	042.105	1	Spring assembly incl.bush N°25	MKIV, 1500 original specification
	042.584	1	Spring assembly incl.bush N°25	MKIV, 1500 IMPROVED SPECIFICATION
3	042.806	2	Shock absorber, standard	
	042.107	2	SPAX, adjustable twin tube hydraulic shock absorber	
4	042.373	1	RH Vertical link	
	042.374	1	LH Vertical link	
5	042.559	2	Radius arm	MKI, II, III to FH50000
	042.108	2	Radius arm	MKIV, 1500 from FH50000
6	042.560	1	RH Pivot bracket	MKI, II, III
	042.561	1	LH Pivot bracket	MKI, II, III
	042.416	1	RH Pivot bracket	MKIV to FH50000
	042.417	1	LH Pivot bracket	MKIV to FH50000
	042.525	1	RH Pivot bracket	MKIV, 1500 from FH50000
	042.526	1	LH Pivot bracket	MKIV, 1500 from FH50000
7	041.097	1	Plate, spring	MKI, II, III
8	161.025	6	Nut, nyloc	MKI, II, III
9	163.005	6	Washer, plain	MKI, II, III
10	042.106	1	Centre mounting box	MKIV, 1500
11	161.025	4	Nut, nyloc	
12	163.005	4	Washer, plain	
13	162.025	1	Bolt, centre pivot	
14	164.002	1	Washer, spring	
15	161.002	1	Nut	
16	041.096	1	Centre insulator	standard specification
	041.508	1	Centre insulator	polyurethane, improvement
17	041.095	1	Spacer, tube	
18	041.521	1	Lower mounting plate	
19	041.094	4	Bottom, rubber	
20	041.293	4	Bush, shock absorber	standard specification
	041.507	4	Bush, shock absorber	polyurethane, improvement
21	162.573	2	Bolt, shock absorber comes with washer & nut	
22	163.004	2	Washer, plain	
23	161.339	2	Nut, nyloc	
24	162.036	4	Bolt, horizontal	
25	041.377	2	Bush, spring	
26	163.009	6	Washer, plain	
27	161.079	4	Nut, nyloc	
28	041.389	1	BOLTING KIT, rear suspension for 2 sides, includes ill.N° 21, 22, 23, 24, 26, 27, 33, 34, 35	
31	163.056	2	Washer, plain	
32	161.079	2	Nut, nyloc - shock mounting	
33	162.478	4	Bolt, radius arm to link	
34	163.005	4	Washer, plain	
35	161.025	4	Nut, nyloc	
36	162.674	4	Bolt, pivot bracket	MKI, II, III
37	133.986	A/R	Shim	
38	161.025	4	Nut, nyloc	
39	041.099	4	Bush, radius arm	standard, rubber
	041.506	4	Bush, radius arm	improved, polyurethane

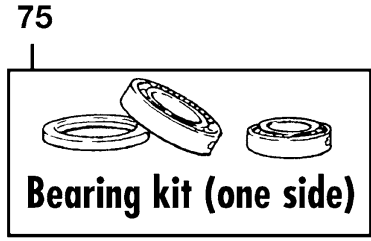
ILL N°	PART N°	QTY	DESCRIPTION	APPLICATION
40	046.077	5	Wheel, 3.1/2" x 13"	MKI, II, III to FC56030
	046.073	2	Wheel, 3.1/2" x 13"	MKI, II, III from FC56031
41	161.124	16	Nut, wheel	MKI, II, III
42	141.463	4	Hub cap	MKI, II, III
43	046.078	5	Wheel, 4.1/2" x 13"	MKIV
	046.058	5	Wheel, 4.1/2" x 13"	1500 to FM950001/FH130001
	046.079	5	Wheel, 5" x 13"	1500 from FM950001/FH130001
44	141.585	4	Hub cap, black	MKIV
45	085.147	4	Medallion, silver/black	
46	132.206	4	Hub cap, silver	1500
47	085.099	4	Medallion, Silver/blue	
48	171.019	16	Spring, hub cap	
49	140.058	1	Wheel rim set	4 pieces
50	172.554	20	Clip for original rims	
51	161.264	16	Wheel nut, chrome	
52	164.036	16	Washer, plastic	
53	046.059	5	Wheel	1500
54	042.128	2	RH Adaptor, wire wheel	
	042.129	2	LH Adaptor, wire wheel	
55	161.124	16	Nut, adaptor to hub	
56	046.017	5	WIRE WHEEL, Chrome plated, 13" x 4.1/2"	
	046.081	5	WIRE WHEEL, Chrome plated, 13" x 5.1/2"	
	046.016	5	Wire wheel, silver painted, 13" x 4.1/2"	
57	042.071	2	RH Spinner, two eared	
	042.072	2	LH Spinner, two eared	
58	042.079	2	RH Spinner, octagonal	
	042.080	2	LH Spinner, octagonal	
59	046.080	2	Wire wheel, bolt-on silver painted	MKIV, 1500 OE optional for 046.080
60	161.466	16	Wheel nut	
61	141.586	4	Centre cap assembly	
62	085.261	4	Badge, centre cap	
63	046.063	5	Alloy wheel 5" x 13"	
	046.169	5	Alloy wheel 6" x 13"	
64	161.270	16	Wheel nut, chrome plated	
66	187.012	1	Silicone spray, use this to protect your chrome wire wheels	
67	198.006	1	AUTO GLYM, Clean Wheels Wheel cleaner, easy use	
	198.001	1	Wheel cleaner, heavy stuff, easy use & will not damage paint, metals etc.	
	198.031	1	AUTO GLYM Instant Tyre Dressing Cleans, beautifies and preserves tyres and external rubber without effort.	
	198.019	1	Black tyre paint	
	198.020	1	White paint, pencil	
68	186.034	1	High temperature grease use this on wire wheel and adaptor	
71	185.050	1	Cleaning brush	
72	169.001	A/R	Nipple, spoke, bare metal	
	169.002	A/R	Nipple, spoke, chrome plated	
73	169.022	A/R	Long spoke, bare metal	
	169.024	A/R	Long spoke, chrome plated	
74	169.021	A/R	Short spoke, bare metal	
	169.023	A/R	Short spoke, chrome plated	
75	200.674	1	Spoke spanner	
76	133.141	1	Spanner use with octagonal spinner	
77	042.097	1	Hammer, copper and hide, 1.15 kgr. THOR	
79	200.701	1	Lifting jack. To be used only for changing a tyre! DO NOT USE THIS WHILE WORKING UNDER THE CAR!	
80	132.726	1	Handle, jack	



Front suspension



MK I up to FC 15575



Bearing kit (one side)



Bolting kit for two sides, part nr. 041.388



ILL N°	PART N°	QTY	DESCRIPTION	APPLICATION
1	042.518	4	Top wishbone arm	
2	042.403	1	RH Vertical link	early MKI to FC15575
	042.404	1	LH Vertical link	early MKI to FC15575
	042.122	1	RH Vertical link	all from FC15576
	042.123	1	LH Vertical link	all from FC15576
3	042.562	1	RH Tie rod lever	early MKI to FC15575
	042.563	1	LH Tie rod lever	early MKI to FC15575
	042.423	1	RH Tie rod lever	all from FC15576
	042.424	1	LH Tie rod lever	all from FC15576
4	042.401	2	Standard shock absorber	
	042.111	2	SPAX adjustable twin tube hydraulic shock absorber	
5	042.516	1	RH Lower wishbone	
	042.517	1	LH Lower wishbone	
6	042.564	2	Hub	MKI, II
	042.349	2	Hub	MKII, IV, 1500
8	162.478	2	Bolt, front side	
	162.069	2	Bolt, rear side	
9	161.025	4	Nut, nyloc	
10	041.099	4	Bush	standard, rubber
	041.506	4	Bush	improved, polyurethane
11	162.041	4	Bolt	
12	042.112	2	Top ball joint	without grease nipple
13	041.194	2	Gaiter	
14	041.343	2	Grease nipple	for old top ball joint
15	163.001	4	Washer, plain	
16	161.002	4	Nut	
17	164.054	2	Washer, plain	
18	161.079	2	Nut, nyloc	
19	162.042	2	Bolt, short	
20	162.659	2	Bolt, long	
21	161.025	2	Nut, nyloc	
22	163.005	2	Washer, plain	
23	162.005	4	Screw, plate mounting	
24	164.002	4	Washer, spring	
25	042.565	1	RH Mounting plate	early MKI to FC2392
	042.566	1	LH Mounting plate	early MKI to FC2392
	042.567	1	RH Mounting plate	all from FC2393 on
	042.568	1	LH Mounting plate	all from FC2393 on
26	162.199	2	Bolt, arm to link	
27	164.021	2	Washer, spring	
28	161.017	2	Nut, nyloc	
29	163.118	4	Washer, spacing	
30	041.522	2	Plug, grease	
31	041.161	A/R	Grease nipple	
32	041.108	2	Seal	
33	041.390	2	Stub axle	early MKI to FC15575
	041.152	2	Stub axle	all from FC15576
34	041.109	2	Shield, water	all from FC15576
35	041.486	2	Oil seal	use prior to kit N°75
36	041.198	2	Bearing, inner	use prior to kit N°75
37	041.199	2	Bearing, outer	use prior to kit N°75
38	167.058	8	Stud	
39	041.111	2	'D' Washer	
40	041.032	2	Castle nut	
41	172.316	2	Split pin	
42	041.151	2	Grease cap	

ILL N°	PART N°	QTY	DESCRIPTION	APPLICATION
43	042.546	2	Front spring	MKI, II
	042.570	2	Packing	MKI, II
	042.109	2	Front spring	MKIII, IV
	042.110	2	Front spring	1500
44	041.378	2	Upper plate & bearing	
45	041.524	4	Washer, cup type	MKI, II, III, IV
	041.525	4	Washer, cup type	1500
46	041.526	4	Bush, rubber	MKI, II, III, IV
	041.527	4	Bush, rubber	1500
47	161.026	2	Nut	
48	161.009	2	Nut, flat	
49	161.061	6	Nut, nyloc	
50	163.010	6	Washer, plain	
51	041.101	2	Bush, shock absorber	standard, rubber
	041.490	2	Bush, shock absorber	improved, polyurethane
52	162.276	2	Bolt, shock absorber	
53	163.009	4	Washer, plain	
54	161.079	4	Nut, nyloc	
55	162.431	2	Bolt, trunnion	
64	042.571	1	RH Trunnion	early MKI to FC37877
	042.572	1	LH Trunnion	early MKI to FC37877
	042.113	1	RH Trunnion	all from FC37878
	042.114	1	LH Trunnion	all from FC37878
65	042.573	2	Strut	
66	172.555	2	Rivet	
67	162.675	4	Bolt, wishbone pivot	
68	041.099	4	Bush, wishbone pivot	standard, rubber
	041.506	4	Bush, wishbone pivot	improved, polyurethane
69	161.025	4	Nut, nyloc	
70	041.341	2	Bracket, front side	
71	041.342	2	Bracket, rear side	
72	041.153	A/R	Shim	
73	163.005	4	Washer, plain	
74	161.025	4	Nut, nyloc	
75	041.110	2	KIT Bearings & oil seal for one side	
76	042.117	1	BUSHING KIT for two sides	
77	042.115	1	Kit RH trunnion & bushes	
	042.116	1	Kit LH trunnion & bushes	
78	041.388	1	BOLTING KIT, front suspension for two sides	
79	042.118	1	Anti-Roll bar 11/16"	MKI, II, III
	042.119	1	Anti-Roll bar 7/8"	MKIV, 1500
80	042.120	1	RH Link ass.	
81	042.121	1	LH Link ass.	
82	164.021	2	Washer, spring	
83	161.079	2	Nut, nyloc	
84	167.117	2	Stud	
85	163.005	4	Washer, plain	
86	161.025	2	Nut, nyloc	
87	041.319	2	'U' Bolt	MKI, II, III
	041.107	2	'U' Bolt	MKIV, 1500
89	041.104	2	Bracket	MKI, II, III
	041.105	2	Bracket	MKIV, 1500
90	041.102	2	Bush, rubber 11/16"	MKI, II, III
	041.503	2	Bush, polyurethane	MKI, II, III
	041.103	2	Bush, rubber 7/8"	MKIV, 1500
	041.505	2	Bush, polyurethane	MKIV, 1500
91	163.001	4	Washer, plain	
92	161.012	4	Nut, nyloc	
93	200.916	1	Spring compressor	



MK I, II

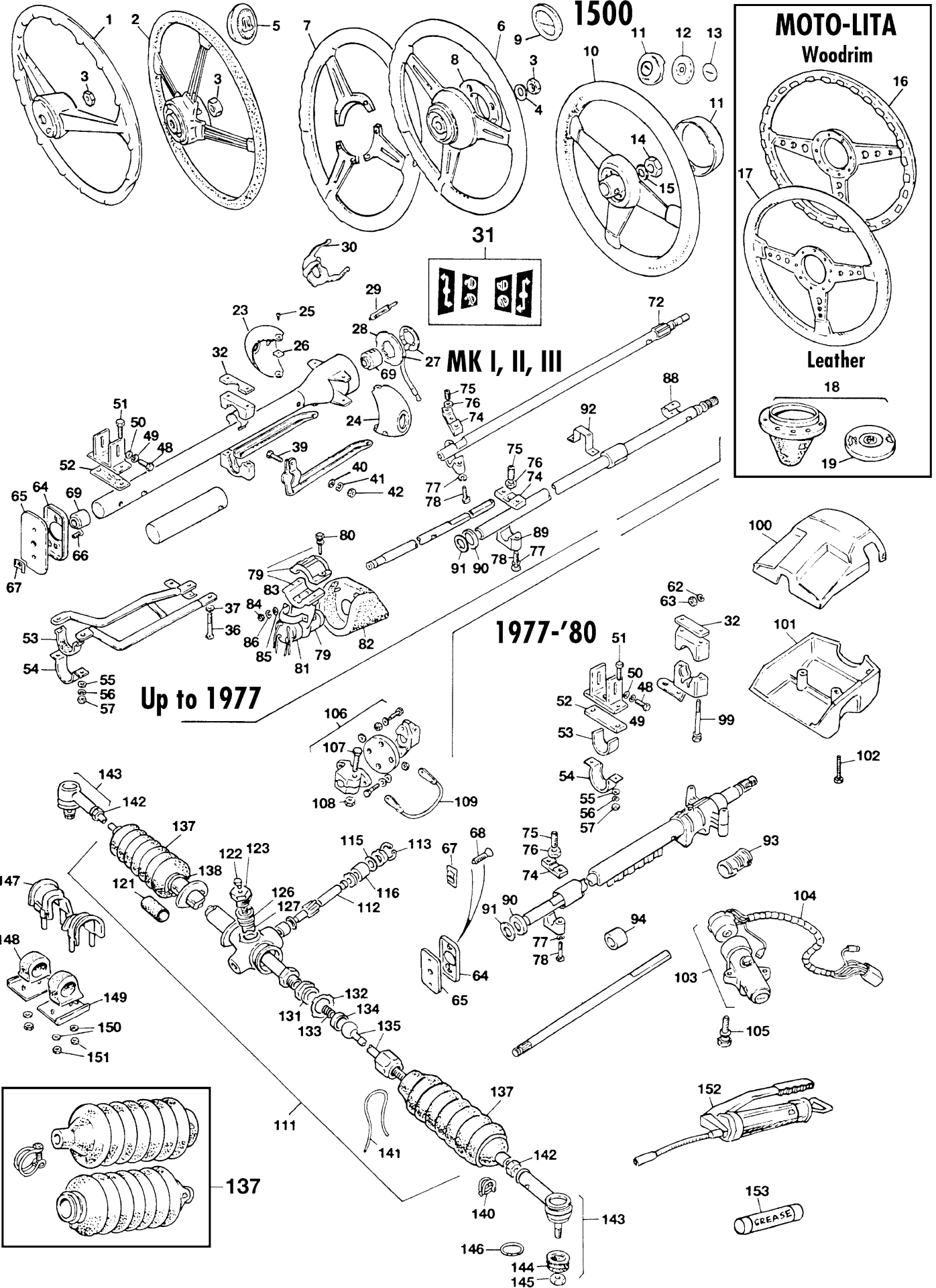
MK III

MK IV, 1500

1500

MOTO-LITA
Woodrim

Leather



Up to 1977

1977-'80

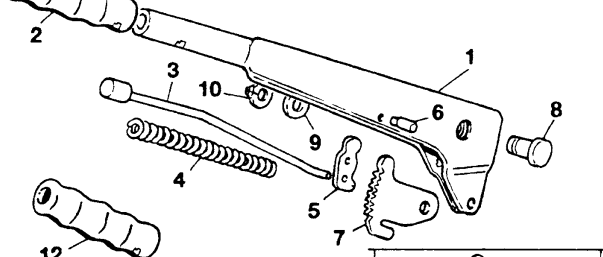


ILL N°	PART N°	QTY	DESCRIPTION	APPLICATION
1	042.575	1	Steering wheel	MKI, II
2	042.576	1	Steering wheel	MKIII
3	161.281	1	Nut	MKI, II, III, IV to '77
4	163.061	1	Washer, plain	MKI, II, III, IV to '77
5	083.916	1	Horn push	MKI, II, III
	083.606	3	Clip, horn push	MKI, II, III
6	042.577	1	Steering wheel	MKIV, 1500 to '77
	042.578	1	Steering wheel	Germany to 1977
7	185.272	1	Replacement rim, leather covered	MKIV, 1500 to '77
8	083.561	1	Pad	MKIV, 1500 to '77
9	083.780	1	Horn push "Triumph"	MKIV, 1500 to '77
10	042.579	1	Steering wheel	1500 from 1977
	042.580	1	Steering wheel	Germany from 1977
	042.581	1	Steering wheel, Moto-Lita originally	1500 from 6/78 to '79
	042.544	1	Steering wheel, Clifford covering type, also the 3 arms & centre are covered	1500 from 1979-80
11	043.299	1	Pad with "Triumph" logo	fit 042.579 & 042.580
12	083.817	1	Badge "Leyland"	fit to 042.581 Moto-Lita
13	083.818	1	Badge "Triumph"	fit 042.544
14	161.408	1	Nut	1977- '80
15	163.117	1	Washer plain	1977- '80
16	185.025	1	Moto-Lita 13" wood rim	33 cm
	185.026	1	Moto-Lita 14" wood rim	35.5 cm
	042.582	1	Wood-rim, Factory optional, included boss	MKI, II
17	185.155	1	Moto-Lita 13" leather rim	33 cm
	185.156	1	Moto-Lita 14" leather rim	35.5cm
18	185.090	1	Moto-Lita hub+cap	up to 1978
	185.091	1	Moto-Lita hub+cap	from 1978
19	185.160	1	Centre cap only	Moto-Lita
23	043.138	1	Cowl, lighting	up to 1977
24	083.800	1	Cowl, indicator	MKI, II, III
	043.138	1	Cowl, indicator	MKIV
	043.139	1	Cowl, indicator+O/D	MKI, II, III
25	162.494	2	Screw	
26	161.316	2	Nut	
27	083.560	1	Slip ring + insulator	
28	083.552	1	Insulator only	
29	083.301	1	Brush, horn contact	
30	083.606	1	Clip, horn push	MKI, II, III
31	085.211	1	Decal kit	
32	043.319	1	Tapping plate	MKIV & 1500
	164.012	2	Washer, spring	MKI, II, III
	161.019	2	Nut	MKI, II, III
36	162.119	2	Bolt	MKI, II, III
	162.898	2	Bolt	MKIV & early 1500
37	163.010	2	Washer, plain	
39	162.060	1	Screw	
40	163.013	1	Washer, plain	
41	164.015	1	Washer, spring	
42	161.024	1	Nut	
48	162.029	2	Screw	
49	164.012	2	Washer, spring	
50	163.010	2	Washer, plain	
51	162.077	2	Screw	
52	043.216	1	Felt strip, upper	
53	043.215	1	Felt strip, lower	
54	043.245	1	Clamp, lower	
55	163.010	2	Washer, plain	
56	164.012	2	Washer, spring	
57	161.019	2	Nut	
64	043.328	1	Retaining plate	
65	043.183	1	Seal	
66	162.100	2	Screw	
67	161.318	2	Spire nut	
69	043.089	2	Bearing	
72	043.246	1	Clip, canceling	from FC31640
74	174.053	1	Plate, locating	

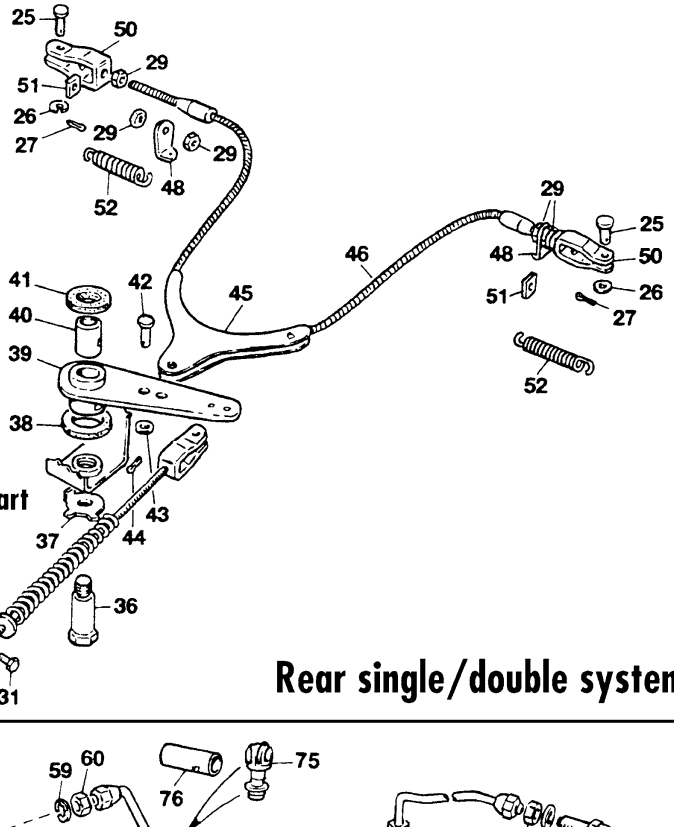
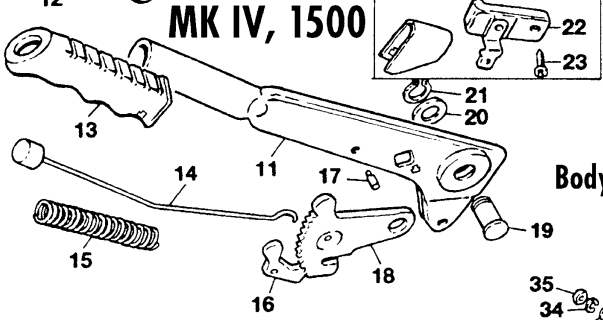
ILL N°	PART N°	QTY	DESCRIPTION	APPLICATION
75	162.661	1	Screw, locating	
76	161.298	1	Nut	
77	164.012	2	Washer, spring	
78	162.208	2	Bolt	
79	141.250	1	Steering lock+switch	up to 1971
	141.251	1	Steering lock+switch	1971- '77
80	162.877	2	Bolt, shear	
81	086.124	1	Switch	to FH62644
	083.307	1	Switch	from FH62644
82	150.930	1	Surround	
83	135.272	1	Clip	
84	163.013	2	Washer, plain	
85	164.015	2	Washer, spring	
86	161.024	2	Nut	
88	043.246	1	Clip, cancelling	
90	043.204	1	End cap	
91	043.243	1	Bearing washer	
92	043.331	1	Clamp	
93	043.332	1	Bush, top	
94	043.089	1	Bush, bottom	
99	162.869	2	Bolt, shear	
	162.672	2	Bolt, alternative	
100	043.336	1	Cowl, top	
101	043.337	1	Cowl, bottom	
102	162.882	2	Screw	
103	083.306	1	Steering lock	
104	083.307	1	Switch	
105	162.392	2	Bolt, shear	
106	043.132	1	Flexible joint ass. less fixing bolts	
107	162.030	2	Bolt	
108	161.330	2	Nut, nyloc	
109	043.143	1	Earth cable	
110	027.154	4	Locking wire	
111	042.225	1	Steering rack, LHD	
	042.524	1	Steering rack, RHD	
112	043.343	1	Pinion	
113	043.258	1	Circlip	
115	043.196	1	Seal	
116	043.199	1	Pinion bush, upper	
121	043.128	1	Bush	
122	043.264	1	Plug	
	032.313	1	Grease nipple, alternative	
123	043.263	1	Cap, screwed	
126	043.344	1	Washer in pad	
127	043.224	1	Pad damper	
131	043.213	A/R	Shim .002"	
	043.212	A/R	Shim .010"	
132	043.127	2	Tab washer	
133	043.267	2	Spring	
134	043.145	2	Socket	
135	043.144	2	Ball pin	
137	043.087	1	PAIR GAITERS & clips	
138	172.114	1	Clip, large	
140	172.557	2	Clip, small	
141	027.154	1	Wire driver side	
142	161.279	2	Lock nut, track rod end	
143	043.088	2	TRACK ROD END	
144	043.029	2	Gaiter rubber	
145	161.025	2	Lock nut, nylonloc	
146	041.222	2	Clip, gaiter	
147	041.155	2	'U' Clamp	
148	041.154	2	Mounting rubber	Mounting rubber
	043.307	2	Mounting rubber	up-rated
149	041.156	2	Plate, reinforcement	
150	163.001	4	Washer, plain	
151	161.012	4	Nut, nyloc	
152	200.604	1	Grease pump	
153	186.031	1	grease LM	



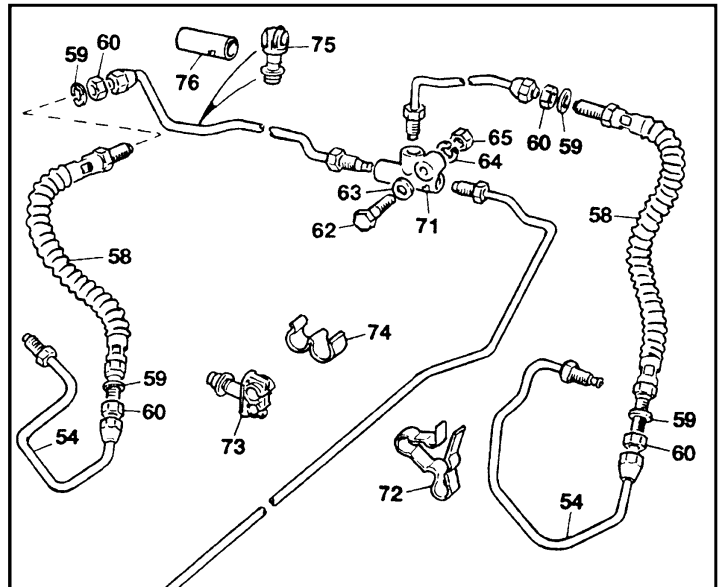
MK I, II, III (fly-off type)



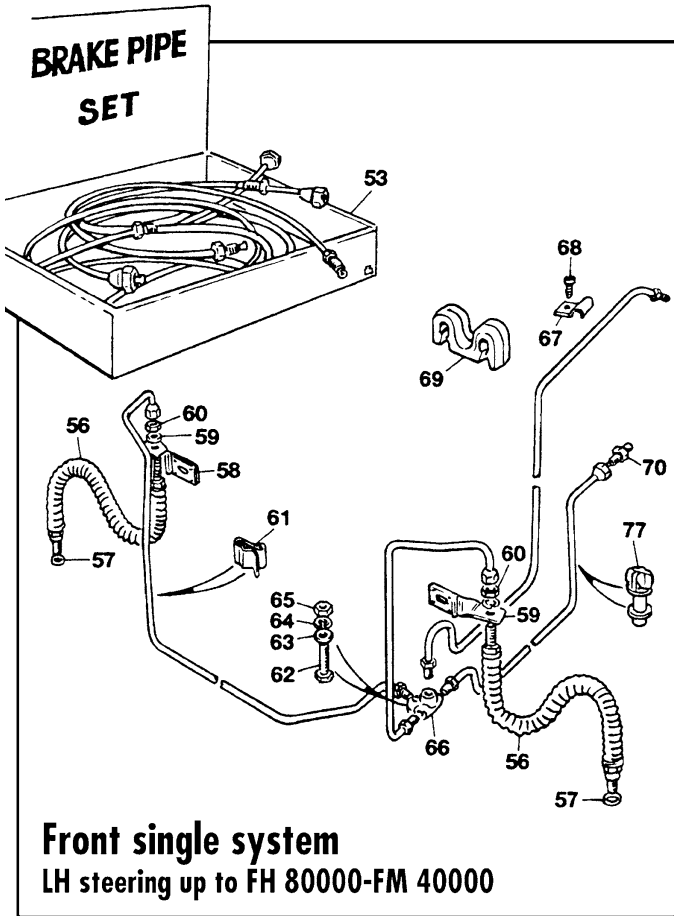
MK IV, 1500



Rear single/double system

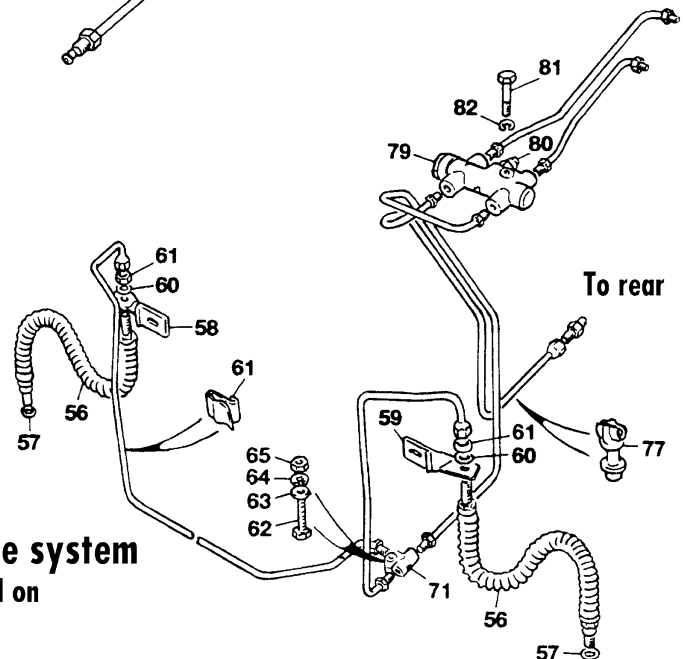


BRAKE PIPE SET

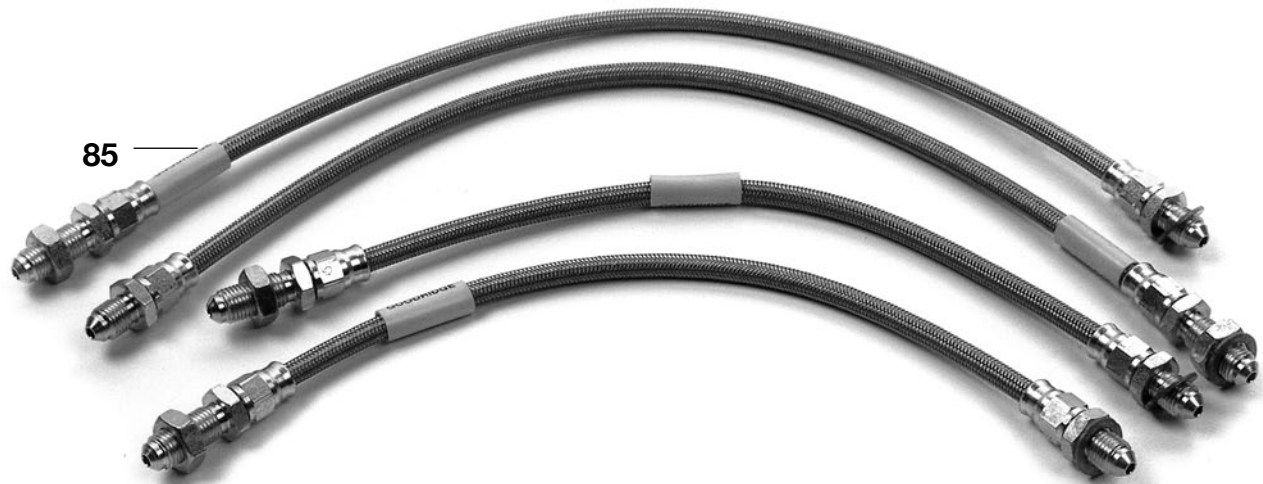


Front single system LH steering up to FH 80000-FM 40000

Front double system LH steering FH on

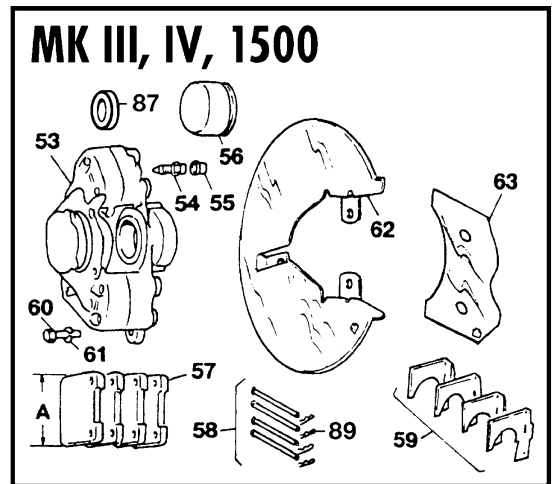
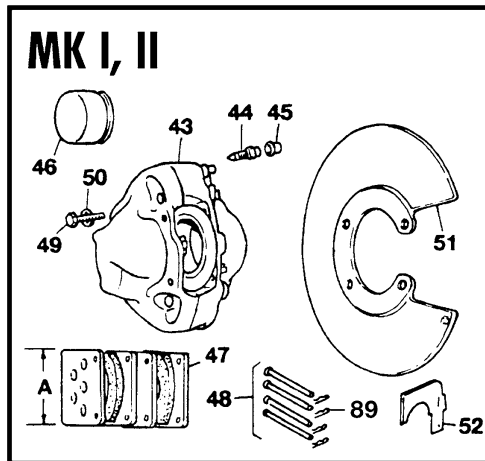
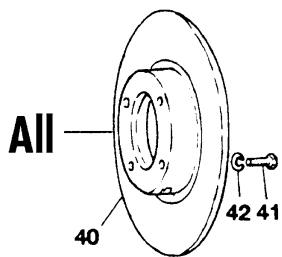
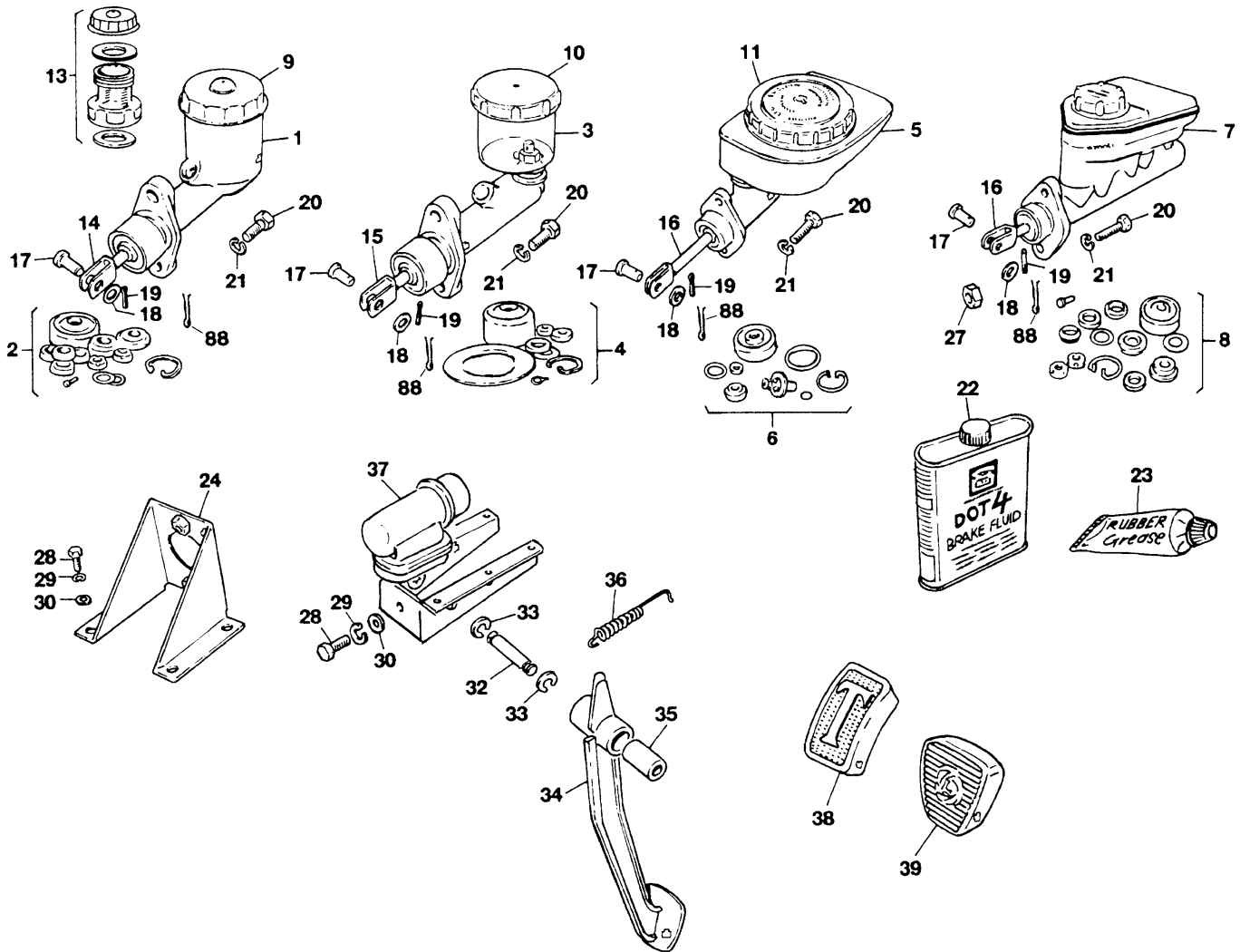


To rear



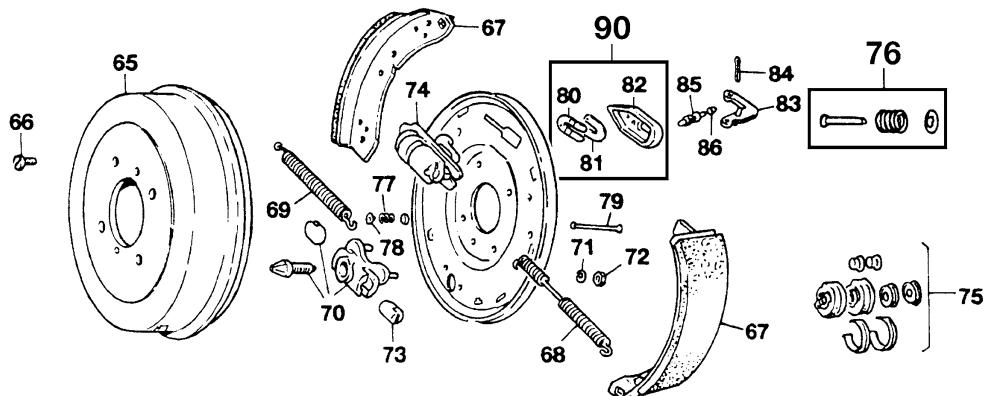
ILL N°	PART N°	QTY	DESCRIPTION	APPLICATION
1	054.287	1	Lever, hand-brake	MKI, II, III
2	054.239	1	Hand-grip	MKI, II, III
3	054.288	1	Rod & Knob	MKI, II, III
4	171.033	1	Spring	MKI, II, III
5	054.269	1	Pawl	MKI, II, III
6	054.257	1	Pin	MKI, II, III
7	054.289	1	Ratchet plate	MKI, II, III
8	054.183	1	Pin, fulcrum	MKI, II, III
9	163.004	1	Washer, plain	MKI, II, III
10	172.303	1	Circlip	MKI, II, III
11	054.287	1	Lever, hand-brake	MKIV
	054.290	1	Lever, hand-brake with hole for switch	1500
12	054.239	1	Hand-grip	MKIV
13	054.274	1	Hand-grip	1500
14	054.163	1	Rod, knob	MKIV, 1500
15	171.033	1	Spring	MKIV, 1500
16	054.270	1	Pawl	MKIV, 1500
17	054.257	1	Pin	MKIV, 1500
18	054.258	1	Ratchet plate	MKIV, 1500
19	054.183	1	Pin, fulcrum	MKIV, 1500
20	163.004	1	Washer, plain	MKIV, 1500
21	172.303	1	Circlip	MKIV, 1500
22	086.068	1	Switch, hand-brake warning	1500
23	162.052	1	Screw	1500
24	054.079	1	Fork end	
25	172.161	3	Clevis pin	
26	133.939	3	Washer, plain	
27	172.317	3	Split pin	
28	161.384	3	Square nut	
29	161.362	7	Flat nut	
30	054.075	1	Cable, front part	
31	162.584	1	Set screw	
32	172.558	1	Clip, hand-brake cable	
33	163.080	1	Washer, plain	
34	164.023	1	Washer, spring	
35	161.054	1	Nut	
36	162.660	1	Pivot bolt	
37	174.060	1	Lock tab	
38	054.281	1	Dust seal	
39	054.292	1	Lever	
40	054.280	1	Bush	
41	054.293	1	Washer	
42	172.365	1	Clevis pin	
43	163.028	1	Washer, plain	
44	172.322	1	Split pin	
45	054.279	1	Compensator	
46	054.073	1	Cable, drum to drum	MKI->>IV to FH50000
	054.074	1	Cable, drum to drum	MKIV, 1500

ILL N°	PART N°	QTY	DESCRIPTION	APPLICATION
48	052.311	2	Anchor plate	
50	054.079	2	Fork end	
51	161.384	2	Square nut	
52	171.023	2	Spring, cable return	
53	054.080	1	Brake pipe set	MKI, II, III
	054.081	1	Brake pipe set	MKIV single system
	054.082	1	Brake pipe set double line system, all UNF threaded	MKIV, 1500 to 1978 up to chassis FH80000
	054.083	1	Brake pipe set double line system, METRIC & UNF thread	1500 1978-'80 FH80000 on
54	054.296	2	Brake pipe, rear hose to wheel cylinder	included in sets above
56	054.076	2	FRONT BRAKE HOSE	
57	168.014	2	Copper washer	
58	054.077	2	REAR BRAKE HOSE	MKI, II, III, IV to 50000
	054.078	2	REAR BRAKE HOSE	1500 from 50000
59	164.032	6	Washer, shake-proof	
60	161.009	6	Nut, flat	
61	172.264	1	Clip, brake pipe to RH suspension bracket	
62	162.208	1	Bolt	
63	163.010	1	Washer, plain	
64	164.012	1	Washer, spring	
65	161.019	1	Nut	
66	052.395	1	4 Way union	
67	172.289	2	Clip, pipe to dash shelf	
68	162.157	2	Screw	
69	172.526	1	Clip, brake pipe spacing	
70	172.388	1	Union, double male	
71	052.240	1	3 Way union	
72	172.297	3/4	Clip, brake & fuel pipe	MKI, II, III
73	172.085	2	Clip, brake & fuel pipe	MKIV, 1500
74	172.086	2	Clip, brake pipe to fuel pipe	MKIV, 1500
75	172.084	1	Clip, pipe to chassis	MKIV, 1500
76	172.559	1	Insulation sleeve	MKIV, 1500
77	172.084	1	Clip, pipe to chassis	MKIV, 1500
79	053.118	1	Valve pressure differential, UNF thread	fitted up to 1978 FH80000/FM40001
	053.119	1	Valve pressure differential, METRIC thread	1978 on FH80001/FM40001 on
80	xxx.xxx	1	Pressure warning switch	for 053.118
	xxx.xxx	1	Pressure warning switch	for 053.119
81	162.671	1	Bolt	
82	164.012	1	Washer, spring	
83	084.364	1	RH bracket, hose clamp	
84	054.295	1	LH bracket, hose clamp	
85	054.479	1	Stainless steel braided flexible brake hose set	MKI, II, III, IV
	054.480	1	Stainless steel braided flexible brake hose set	1500



64

Sealing kit :
MK I, II, III, IV, 1500





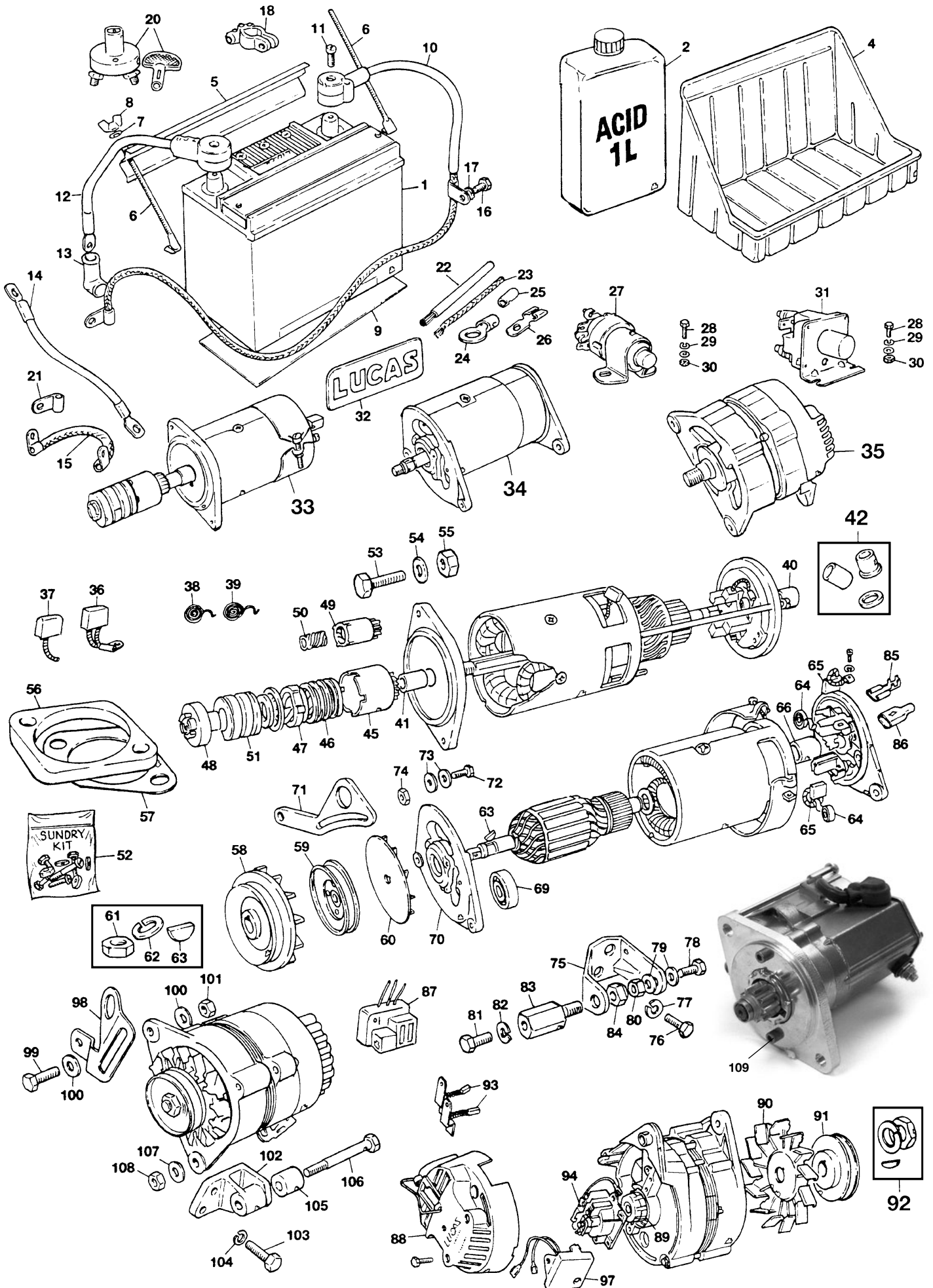
7

ILL N°	PART N°	QTY	DESCRIPTION	APPLICATION
1	053.020	1	Master brake pump all metal, small reservoir	MKI, II 1962- '67, 5/8"
	053.021	1	Master brake pump, all metal, larger reservoir	MKIII except France & BENELUX, 5/8"
2	052.072	1	Repair kit, single pump, 5/8"	MKI, II, III, 5/8"
3	053.022	1	Master brake pump, plastic reservoir, single pump	MKIII France & BENELUX, MKIV, 5/8"
4	052.073	1	Repair kit	for 053.022 only
5	053.023	1	Master brake pump, double brake system	MKIV, 1500 to 1976 to FH80000 & FM40000
6	052.074	1	Repair kit, tandem	for 053.023
7	053.024	1	Master brake pump double brake system	1500 1976- '80, FH80001 & FM40001 on
8	052.075	1	Repair kit, tandem	for 053.024
9	052.163	1	Filler cap, metal	for 053.020
	052.175	1	Filler cap, metal	for 053.021
10	052.428	1	Filler cap, plastic	for 053.022
11	052.179	1	Filler cap, plastic	for 053.023
13	052.436	1	Extension	France '62- '67
14	052.437	1	Push rod	for 053.020, 053.021
15	052.437	1	Push rod	for 053.022
16	052.438	1	Push rod	for 053.023, 053.024
17	172.162	1	Clevis pin	
18	163.001	1	Washer, plain	
19	172.130	1	Split pin	
20	162.022	2	Bolt	
21	164.002	2	Washer, spring	
22	053.039	1	Brake fluid, DOT 4	
	053.018	1	Brake fluid, Silicone	
23	052.117	1	Rubber grease, for use on rubber components, in or near brake fluid.	
27	161.002	2	Nut	
28	162.029	8	Screw	
29	164.012	8/6	Washer, spring	
30	163.010	8/6	Washer, plain	
32	027.197	1	Shaft	
33	172.311	2	Circlip	
34	054.300	1	Brake pedal	MKI, II, III
	054.301	1	Brake pedal	MKIV
	054.302	1	Brake pedal	1500
35	027.196	1	Bush	
36	171.034	1	Spring	
37	052.076	1	Gaiter	
38	027.085	1	Pedal rubber	MKI, II, III
39	027.067	1	Pedal rubber	MKIV, 1500
40	050.028	2	Brake disc	
41	162.556	8	Bolt, disc to hub	
42	164.006	8	Washer, spring	
43	050.078	1	RH Brake calliper	MKI, II
	050.079	1	LH Brake calliper	MKI, II
44	052.078	2	Bleed screw	
45	052.245	2	Cap, bleed screw	
46	053.107	4	Piston 42.7mm dia	MKI, II

ILL N°	PART N°	QTY	DESCRIPTION	APPLICATION
47	053.109	1	Brake pad set, 'A' = 62 mm	MKI, II
	053.304	1	'Green stuff', brake pad set	MKI, II
48	052.077	1	Pin & Clip kit	
49	162.107	4	Bolt, brake calliper	
50	164.021	4	Washer, spring	
51	050.136	1	RH Dust shield	
	050.137	1	LH Dust shield	
52	052.439	1	Set anti-squeal plates	MKI, II
53	050.027	1	Pair brake callipers	MKIII, IV, 1500
54	052.078	2	Bleed screw	
55	052.245	2	Cap, bleed screw	
56	053.113	4	Piston, 48mm dia	MKIII, IV, 1500
57	053.025	1	Brake pad set, 'A' = 63, 5 mm	MKIII, IV, 1500
	053.305	1	'Green stuff', brake pad set	MKIII, IV, 1500
58	052.077	1	Pin & Clip set	
59	052.079	1	Set anti-squeal plates	
60	162.107	4	Bolt, brake calliper	
61	164.021	4	Washer, spring	
62	050.134	1	Pair dust shields for brake disc, polished stainless steel	MKIII, IV, 1500
63	050.135	1	Pair dust shields for callipers, polished stainless steel	MKIII, IV, 1500
64	052.305	1	Repair kit, callipers	MKI, II
	052.080	1	Repair kit, callipers	MKIII, IV, 1500
65	050.044	2	Brake drum	
66	162.551	4	Screw, securing	
67	050.029	1	Brake shoe set	4 pieces
68	052.083	2	Spring, upper	
69	052.082	2	Spring, lower	
70	053.028	2	Adjuster assembly	
71	164.007	4	Washer, spring	
72	161.019	4	Nut	
73	052.430	4	Tappet, adjuster	
74	053.108	2	Wheel cylinder, 19.05mm, 3/4" dia.	MKI, II, III, 1962> April '67
	053.026	2	Wheel cylinder, 15.75mm, 5/8" dia.	MKIV & early 1500 May '67>'76
	053.027	2	Wheel cylinder, 17.78mm, 0.7"	1500 1976- '80
75	052.440	1	Seal kit, 2 cylinders	19.05mm dia
	052.441	1	Seal kit, 2 cylinders	15.75mm dia
	052.442	1	Seal kit, 2 cylinders	17.78mm dia
76	052.443	1	Fixing kit, for 4 brake shoes	
77	052.389	4	Spring	
78	052.444	4	Cup, spring retaining	
79	052.065	4	Pin	
80	052.085	2	Spring plate, inner	
81	052.084	2	Spring plate, outer	
82	052.086	2	Dust seal, wheel cylinder	
83	052.309	2	Lever, hand brake	
84	172.329	2	Split pin	
85	052.078	2	Bleed screw	
86	052.245	2	Dust cap	
87	052.574	2	Seal	
88	173.173	1	Improved clip, easy fit	
89	052.384	1	Securing clip	
90	055.138	1	Wheel cylinder fitting clip	



Battery, starter, dynamo and alternator



Battery, starter, dynamo and alternator

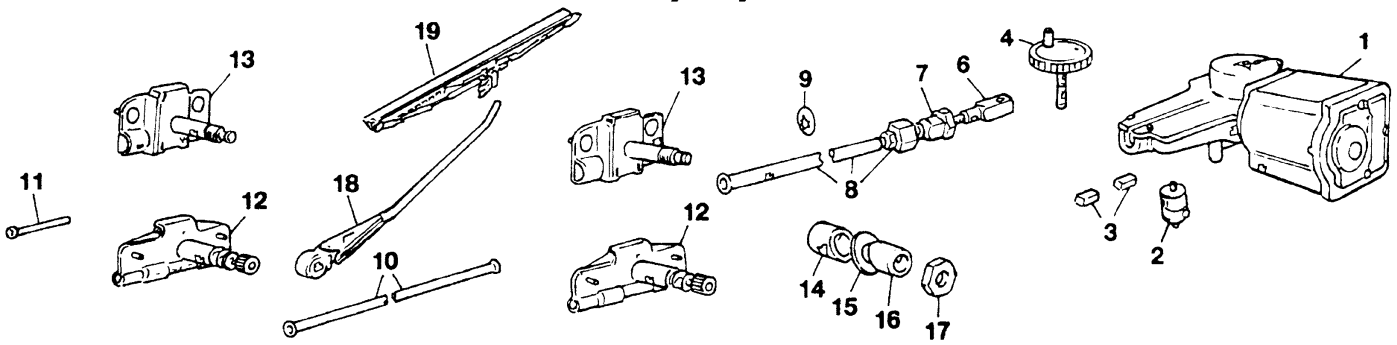


ILL N°	PART N°	QTY	DESCRIPTION	APPLICATION
1	082.042	1	Battery, plastic case	
2	082.009	4	1 L. Acid	CAN NOT BE SHIPPED !
4	132.829	1	Battery liner	
5	133.515	1	Bracket	
6	162.450	2	'J' Bolt, 5 3/4" long	MKI, II, III
	162.449	2	'J' Bolt, 4" long	MKIV, 1500
7	163.010	2	Washer, plain	
8	161.436	2	Wing nut	
9	121.362	1	Battery pad, rubber	
10	080.149	1	Earth cable, (+), die cast connector to body only	MKI, II, III not illustrated (short)
	080.049	1	Earth cable, (+), clamp type connector to body only	MKI, II, III not illustrated (short)
	080.165	1	Earth cable, (-), die cast connector to body and engine	MKIV, 1500 as illustrated
	080.166	1	Earth cable, (-), clamp type terminal to body and engine	MKIV, 1500
11	162.580	2	Screw for die cast terminal	
12	080.168	1	Cable to solenoid, (-) die cast terminal	MKI, II, III
	080.014	1	Cable to solenoid, (-) clamp type terminal	MKI, II, III
	080.005	1	Cable to solenoid, (+) die cast terminal	MKIV, 1500
	080.167	1	Cable to solenoid, (+) clamp type terminal	MKIV, 1500
13	122.013	2	Terminal cap, solenoid	
14	080.170	1	Cable, solenoid to starter	
15	080.009	1	Earth cable, engine/body	
16	162.076	1	Screw, earth cable/body	
17	164.007	1	Washer, shake-proof	
18	083.178	1	Terminal, -	
	083.179	1	Terminal, +	
20	083.174	1	Battery cut-off switch	
21	172.391	2	Clip for 080.170 cable	
22	080.133	1	5 meter starter cable plain copper wires	
23	080.134	1	1 meter earth cable wire bubbles, tinned copper	
24	083.651	A/R	Soldered flag terminal	
25	083.653	A/R	Heat-shrink tubing, 9.5mm I.D. x 32mm long	
26	083.652	A/R	Straight terminal	
27	083.119	1	Starter solenoid, with push button	MKI, II, III
28	162.060	2	Screw	
29	164.015	2	Washer, spring	
30	163.013	2	Washer, plain	
	161.024	2	Nut	
31	083.956	1	Starter solenoid	MKIV, 1500 to 1976
	083.957	1	Starter solenoid	1500 1976- '80
32	085.260	1	'LUCAS' battery sticker	Gold & red, very nice
33	082.002	1	STARTER MOTOR, rebuilt	will fit all types
	082.185	1	MODERN STARTER MOTOR, lightweight	will fit all types
34	082.001	1	DYNAMO, rebuild, C40 SUPPLIED LESS PULLEY	MKI, II, III
35	082.010	1	ALTERNATOR, Lucas, rebuilt, use with 081.180 socket, SUPPLIED LESS PULLEY	MKIV, 1500
36	081.035	1	Brush set	25022, 25079, 25083
37	081.222	1	Brush set	25149 starter
38	081.116	1	Spring set	look at inner loop
39	081.223	1	Spring set	look at inner loop
40	081.120	1	Bush, rear end	25022 starter
	081.179	1	Bush, rear end	25079, 25083 starter
41	081.029	1	Bush, driving end	25022 starter
	081.224	1	Bush, driving end	25079, 25083 starter
42	081.226	1	Bush kit	25149 starter
45	081.030	1	Pinion & Barrel	25022 starter
46	081.031	1	Spring	25022 starter
47	081.032	1	Sleeve	25022 starter
49	081.225	1	Pinion & Barrel	25079, 25083, 25149 starter
49	081.225	1	Pinion & Barrel	25079, 25083, 25149 starter

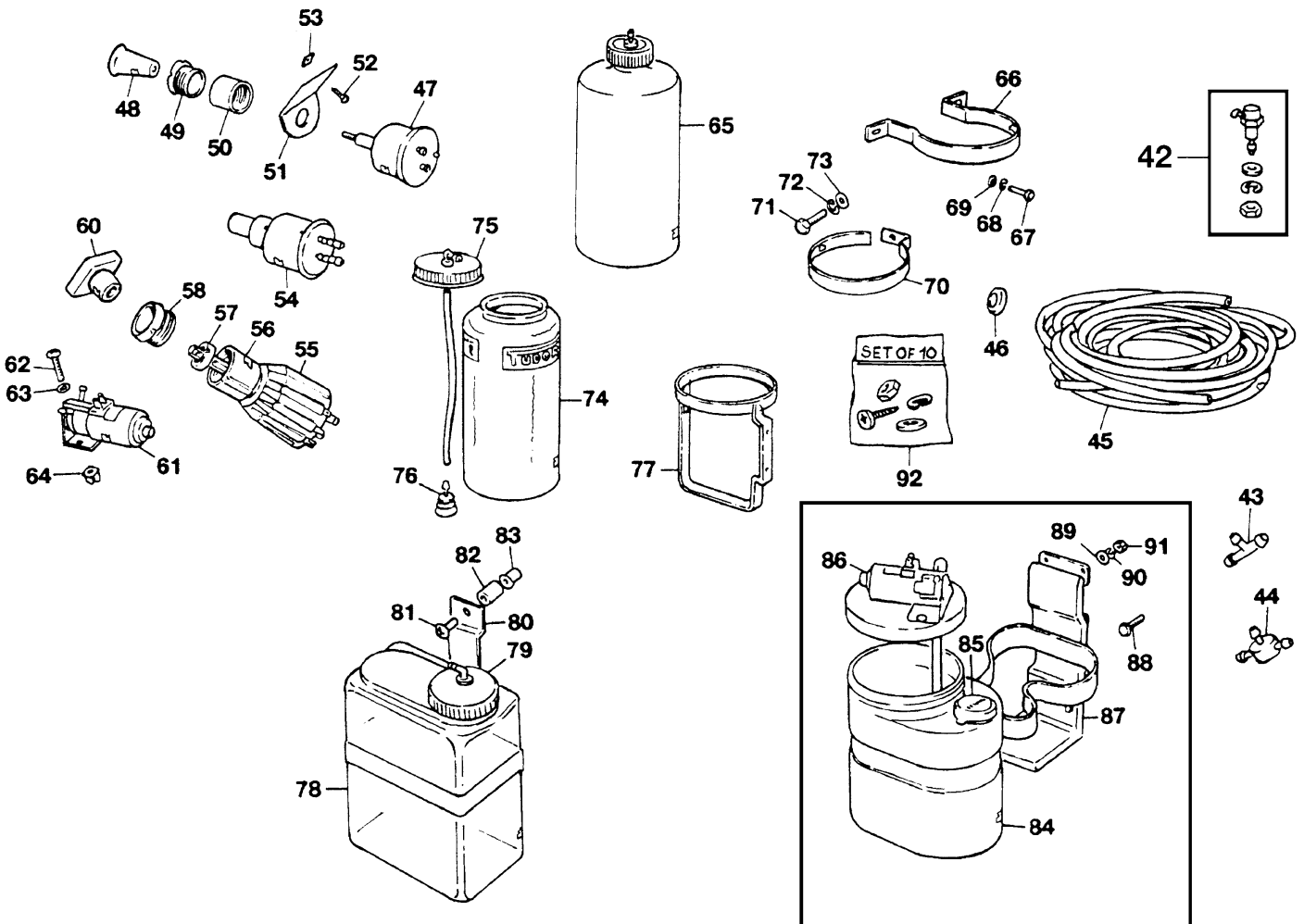
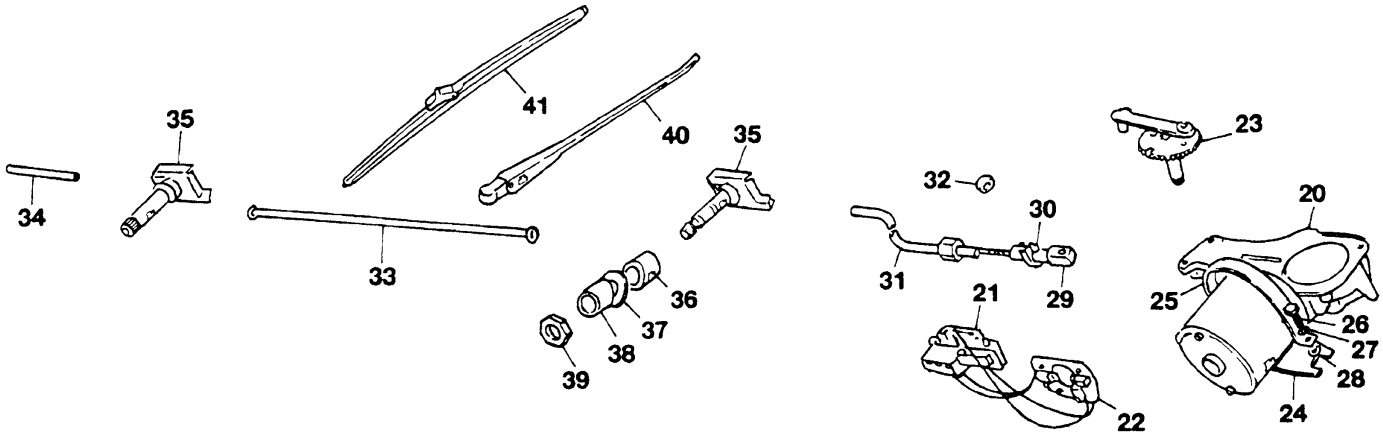
ILL N°	PART N°	QTY	DESCRIPTION	APPLICATION
50	081.227	1	Sleeve	25079, 25083, 25149 starter
51	081.033	1	Main spring	all types
52	081.117	1	Sundry kit	starter
	081.111	1	Sundry kit	dynamo C40
53	162.066	2	Bolt, 3/8" UNF x 1.1/2"	check length required
	162.478	2	Bolt, 3/8" UNF x 2.1/4"	check length required
54	164.006	2	Washer, spring	
55	161.026	2	Nut	
56	011.562	1	Mounting spacer	not supplied with starter
57	081.335	A/R	Adjusting shim	
58	081.461	1	Pulley & fan	MKI, II
59	081.219	1	Pulley	will fit MKI, II, III
60	081.024	1	Fan	will fit MKI, II, III
61	161.298	1	Nut	
62	164.021	1	Washer, spring	
63	172.014	1	Key	
64	081.110	2	Spring	C39 type
	081.023	2	Spring	C40 type
65	081.109	1	Brush set	C39 type
	081.022	1	Brush set	C40 type
66	081.106	1	Bearing bush, rear end	
69	081.105	1	Bearing, drive end plate	
70	081.104	1	Drive end plate	C39
	081.221	1	Drive end plate	C40
71	081.462	1	Link dynamo adjusting	
72	162.086	1	Screw	
73	163.090	2	Washer, plain	
74	161.357	1	Nut	
75	081.463	1	Bracket, dynamo	
76	162.005	2	Screw, bracket to engine	
77	164.002	2	Washer, spring	
78	162.036	1	Bolt	
79	163.028	A/R	Washer, plain	
80	161.330	1	Nut, nyloc	
81	013.039	1	Bolt, special	
82	164.002	1	Washer, spring	
83	081.464	1	Pedestal, dynamo	
84	161.339	1	Nut, nyloc	
85	083.185	A/R	Lucar terminal, 3/8" 9.5mm	
	083.181	A/R	Lucar terminal, 1/4" 6.3mm	
86	083.186	A/R	Insulator for 083.185	
	083.182	A/R	Insulator for 083.181	
87	081.180	1	Socket	
88	081.465	1	Plastic cover	
89	081.188	1	Bearing, rear	
	081.187	1	Bearing, front	
90	081.466	1	Fan	
91	081.467	1	Pulley	
92	081.181	1	Key, washer & nut	
93	081.186	1	Brush set	
94	081.364	1	Brush box	
97	081.246	1	Regulator, 2 or 3 lead	15 ACR
	081.245	1	Regulator, 4 lead	16 or 17 ACR
98	081.397	1	Link & adjuster	
99	162.096	1	Screw, UNC attention! Some replacement units use metric!	
100	163.090	2	Washer, plain	
101	161.433	1	Nut, nyloc UNC	
102	011.335	1	Mounting bracket	
103	162.460	2	Screw	
104	164.002	2	Washer, plain	
105	011.336	1	Distance tube	
106	162.129	1	Bolt	
107	163.107	1	Washer, plain	
108	161.021	1	Nut	
109	082.141	1	Modern starter	



MK I, II, III



MK IV, 1500



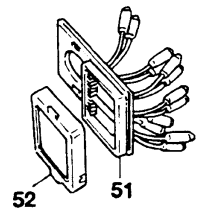
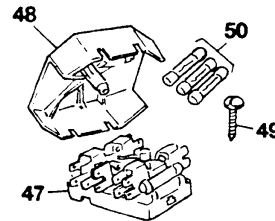
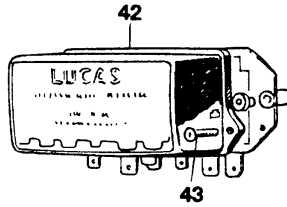
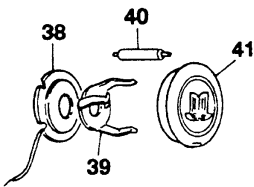
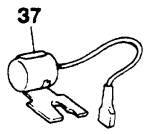
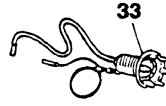
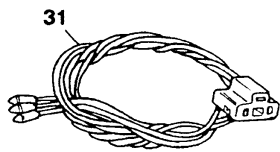
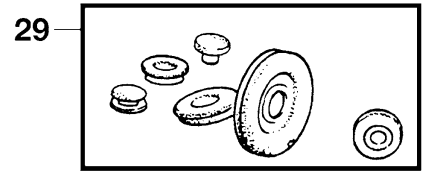
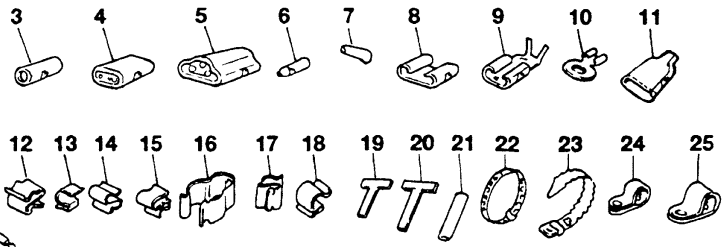
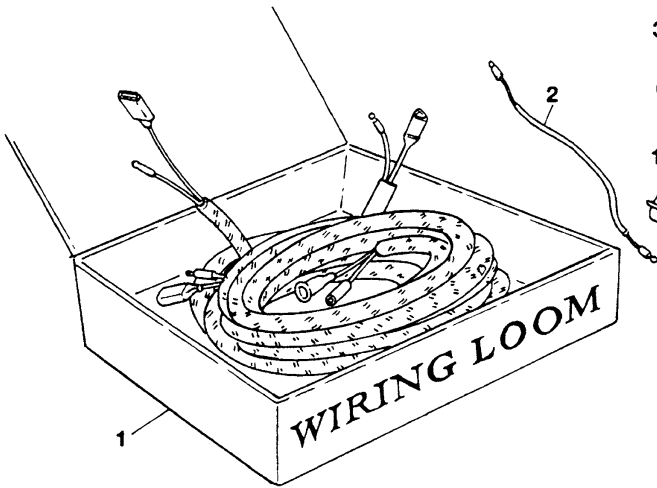
Windscreen wiper and washer installation



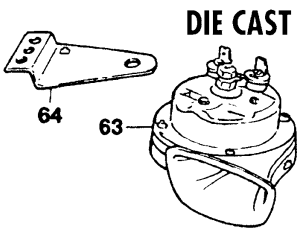
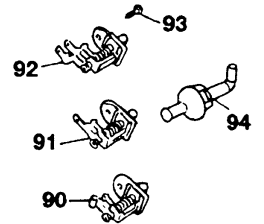
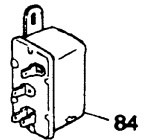
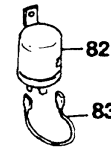
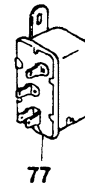
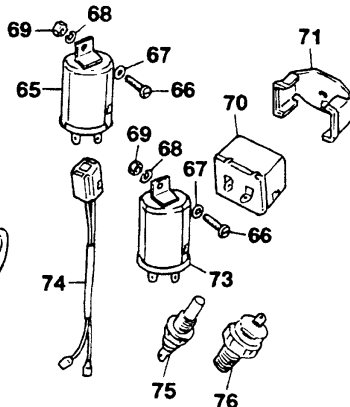
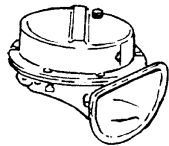
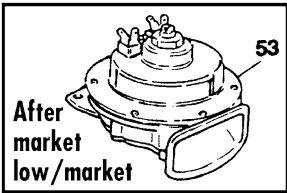
Bracket wiper motor
Stainless steel

ILL N°	PART N°	QTY	DESCRIPTION	APPLICATION
1	082.059	1	Wiper motor, less gear, DR2 type	MKI to FC20216
	083.028	1	Wiper motor, less gear, DR3A type	MKI, II, III from FC20217
2	133.344	3	Mounting rubber with stud, washers and nuts	
3	083.197	1	Pair brushes	
4	086.197	1	Gear for DR2	MKI to FC20216
	086.198	1	Gear for DR3A	MKI, II, III from FC20217
6	083.024	1	Rack, driving	
7	083.644	1	Ferrule, rack	
8	086.199	1	Tubing, motor to whl.box	MKI to FC20216
	086.200	1	Tubing, motor to whl.box	MKI, II, III from FC20217
9	122.197	1	Grommet	
10	083.984	1	Tubing, whl. to box whl. box	MKI to FC18221
	086.201	1	Tubing, whl. to box whl. box	MKI, II, III from FC18222
11	133.136	1	Extension	
12	086.202	2	Wheel box	MKI to FC18221
13	083.104	2	Wheel box	MKI, II, III from FC18222
14	083.111	2	Bush, spacer	
15	083.109	2	Seal	
16	083.107	2	Bush, chrome plated	
17	083.106	2	Nut	
18	087.062	2	WIPER ARM	MKI, II, III
19	087.021	2	WIPER BLADE	MKI, II, III
20	082.006	1	Wiper motor, less gear	MKIV, 1500
21	083.525	1	Parking switch, screw-on	up to 1979
	086.174	1	Parking switch, clip-on	1979- '80
22	083.853	1	Brush and plate ass.	
23	083.526	1	Gear & link plate	1969- '72
	086.180	1	Gear & link plate	1973- '80
24	133.138	1	Pad, rubber	
25	135.295	1	Bracket, stainless steel & rubber padding	
	133.137	1	Bracket and rubber	
26	162.076	2	Screw	
27	164.012	2	Washer, spring	
28	163.010	2	Washer, plain	
29	083.024	1	Rack, driving	
30	083.825	1	Ferrule	
31	086.203	1	Tubing, motor to whl.box	
32	122.193	1	Grommet	
33	133.584	1	Tubing, whl.box to whl.box	
34	133.136	1	Extension	
35	086.205	2	Wheel-box	
36	083.111	2	Bush, rubber	
37	083.109	2	Seal	
38	083.107	2	Bush	
39	083.106	2	Nut	
40	087.058	1	LH WIPER ARM, chrome	up to 1975
	087.059	1	RH WIPER ARM, chrome	up to 1975
	087.060	1	LH WIPER ARM, black	1975- '80
	087.064	1	RH WIPER ARM, black	1975- '80
41	087.009	2	WIPER BLADE, chrome	up to 1975
	087.013	2	WIPER BLADE, black	1975- '80

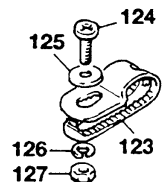
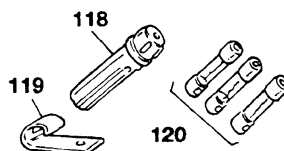
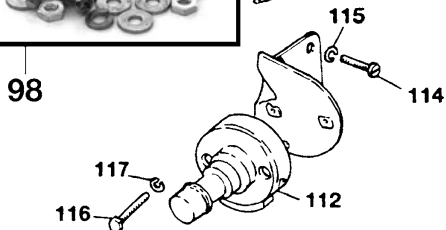
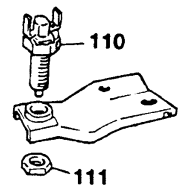
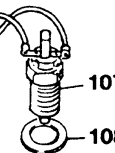
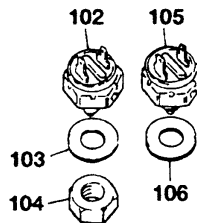
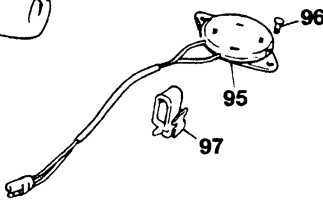
ILL N°	PART N°	QTY	DESCRIPTION	APPLICATION
42	083.047	2	Jet	
43	083.056	1	'T' Piece	
44	083.755	1	'T' Piece with non return valve	
45	083.055	1	Tubing set	
46	122.180	1	Grommet	
47	083.602	1	Washer pump, early type	
48	083.607	1	Knob	
49	083.986	1	Bezel	
50	083.985	1	Spacer	
51	086.206	1	Bracket	
52	162.145	2	Screw	
53	172.432	2	Nut	
54	083.046	1	Washer pump, replacement	MKI, II, III
55	086.153	1	Washer pump	MKIV, 1500 to FH100020
56	086.154	1	Spacer	
57	086.155	1	Nut	
58	083.583	1	Bezel	
60	083.582	1	Knob	
61	083.294	1	Washer pump	
62	162.900	2	Screw	
63	163.116	2	Washer, plain	
64	161.494	2	Rawl nut in body	
65	086.207	1	Bottle assembly	NLA use ill.74+75
66	086.208	1	Bracket	use prior to ill.77
67	162.215	2	Screw	
68	164.015	2	Washer, spring	
69	163.013	2	Washer, plain	
70	135.299	1	Bracket	MKI, II, III from FC5965
71	162.215	1	Screw	
72	164.015	1	Washer, spring	
73	163.013	1	Washer, plain	
74	083.050	1	Bottle 'TUDOR'	
75	083.314	1	Cap with tube	
76	083.054	1	Valve, non return	
77	083.061	1	Bracket	
78	086.210	1	Bottle	
	083.758	1	Bottle, alternative	
79	083.314	1	Screwed cap	
80	135.362	1	Bracket with elastic	
81	162.046	2	Screw	
82	163.155	2	Spacer	
83	161.463	2	Rawl plug	
84	083.613	1	Bottle	
	086.209	1	Bottle & bracket less pump & cap	
85	083.761	1	Filler cap	
86	083.878	1	Cap and pump ass.	
	083.294	1	Pump	
87	133.703	1	Bracket & elastic	
88	161.463	3	Rawl nut	
89	163.013	3	Washer, plain	
90	164.015	3	Washer, spring	
91	161.463	3	Nut	
92	162.507	1	Kit including 10 x fixing screw, plain washer, spring washer & nut 3/16"	



PLASTIC



DIE CAST

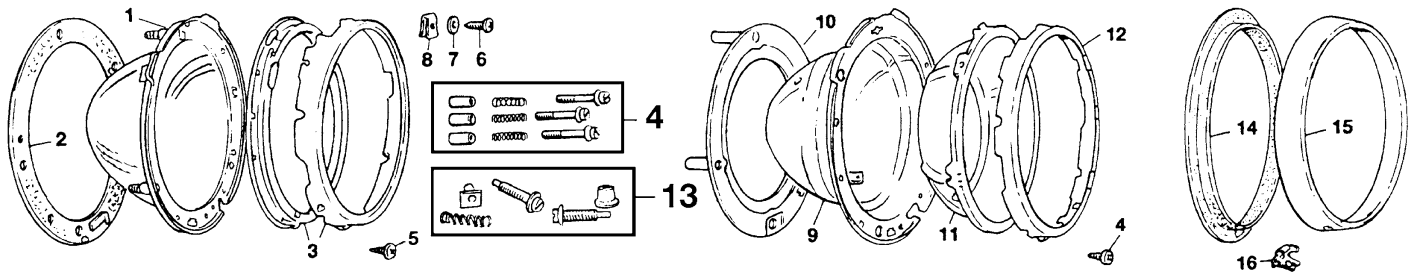




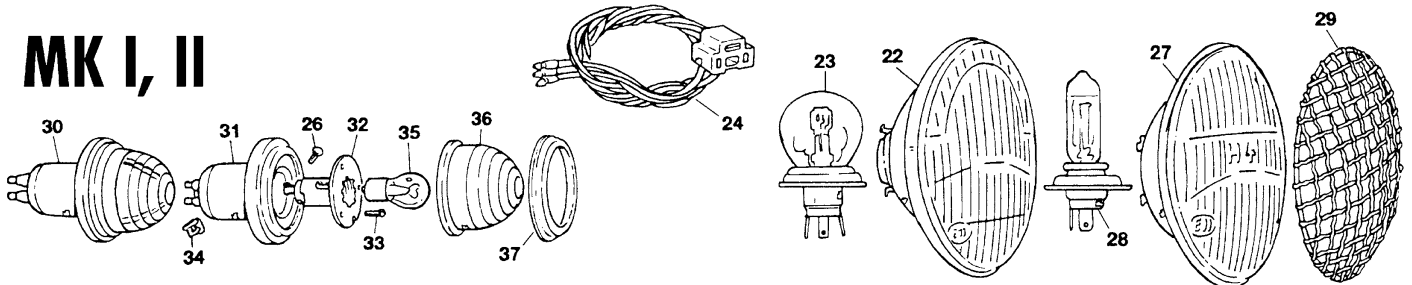
Wiring looms, fittings, horns, relay and switches

ILL N°	PART N°	QTY	DESCRIPTION	APPLICATION
WIRING LOOMS LHD SPITFIRE 's				
1	080.171	1	Wiring loom assembly	'62-'65 MKI
	080.172	1	Wiring loom assembly	'65-'67 MKII
	080.173	1	Wiring loom assembly	'67-'69 MK3, 2 reverse lamp
	080.182	1	Wiring loom assembly	'69 MK3 USA FD31254-75000, twin reverse lamp, two speed wiper, hazard switch
	080.174	1	Wiring loom assembly	'70 MKIII single rev. lamp
	080.175	1	Wiring loom assembly	'70-'72 MKIV to FH50000 separate ballast resistor
	080.161	1	Wiring loom assembly	'73-'74 MKIV FH50001->>62644 resistance wire for coil and spade terminals on ignition switch
	080.176	1	Wiring loom assembly	'74 MKIV FH62645-on. With resistance wire for coil and plug connection at ignition switch
	080.177	1	Main wiring loom	'75-'77 1500 FH75001-100020 wiper switch on dash
	080.178	1	Main wiring loom	'77-'80 1500 FH100021-end wiper switch on column
	080.179	1	Body wiring loom	'75-'77 1500 FH75001-100020
	080.180	1	Body wiring loom	'77-'78 1500 FH100021-116000
	080.181	1	Body wiring loom	'78-'80 1500 FH116001-end
2	080.197	1	Wiring, O/D gearbox	MKI, II
	080.198	1	Wiring, O/D gearbox	MKIII
	080.199	1	Wiring, O/D gearbox	MKIV
	080.148	1	Wiring, overdrive	1500
3	083.041	A/R	Connector, single	
4	083.042	A/R	Connector, double	
5	083.043	A/R	Connector, triple	
6	083.180	A/R	Connector, soldered type	
7	083.044	A/R	Connector, loose type	
8	172.250	A/R	Clip, earthing, double	
9	083.993	A/R	Lucar terminal, 3/16" 4.7mm	
	083.181	A/R	Lucar terminal, 1/4" 6.3mm	
	083.185	A/R	Lucar terminal, 3/8" 9.5mm	
10	083.996	A/R	Eyelet connector 3/16" 4.7mm	
	083.997	A/R	Eyelet connector 1/4" 6.3mm	
	083.998	A/R	Eyelet connector 5/16" 7.9mm	
11	083.182	A/R	Insulator for 083.181	
	083.186	A/R	Insulator for 083.185	
12	172.264	A/R	Clip, cables to body	
13	172.506	1	Clip, wiring to suspension bracket	
14	172.560	1	Clip, temperature cable to alternator bracket	
15	172.519	1	Clip, alternator cables	
16	172.561	1	Clip, headlamp cables to bonnet hinge tube	
17	172.494	7	Clip, light cables to chassis	
18	172.391	2	Clip, horn cables to radiator cradle	
19	133.888	A/R	Clip, weld-on type	
20	133.888	A/R	Clip, weld-on type	
21	172.562	A/R	Insulating sleeve, harness to radiator grill	
	172.563	A/R	Insulating sleeve, harness to chassis	
	172.559	A/R	Insulating sleeve, harness to body	
22	172.564	A/R	Cable tie	
23	083.058	A/R	Cable tie, rubber	
24	172.496	A/R	Clip, harness to engine bay side valance	
25	172.565	A/R	Clip, harness to body and to gearbox	
29	135.363	1	Grommet kit, firewall, 9 pieces	
	135.364	1	Grommet kit, body, 34 pieces	
31	084.052	2	Wiring and lamp socket	
32	084.132	A/R	Bulb socket, single cable	
33	083.115	A/R	Bulb socket, double cable	
34	086.166	A/R	Bulb socket, push-in	
35	084.123	A/R	Bulb 2.2W, screw-in	
36	084.069	A/R	Bulb 5W bayonet type	
37	086.211	A/R	Suppressor radio interference	
38	083.560	1	Slip-ring and insulator	
39	083.606	1	Clip	
40	083.301	1	Brush	MKI, II, III
	083.774	1	Brush	MKIV, 1500 to FH100020
41	083.916	1	Horn push	MKI, II, III
	083.799	1	Horn push	MKIV to FH50000
	083.780	1	Horn push	MKIV, 1500 from FH50000
42	082.008	1	Control box	MKI, II, III
43	162.902	3	Screw	
	161.062	3	Nut, plastic	

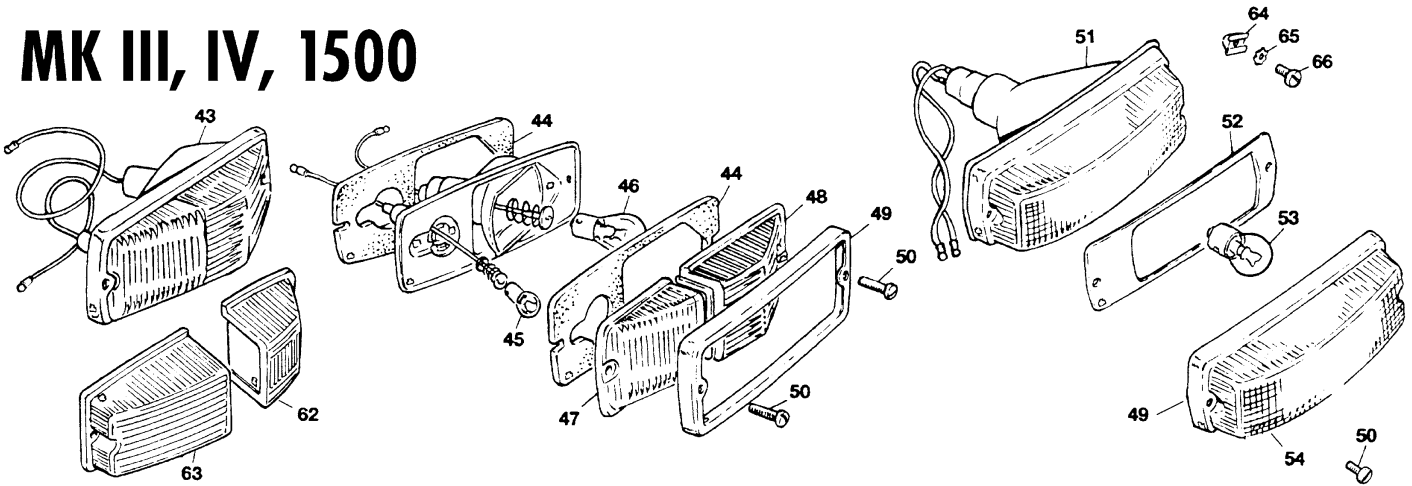
ILL N°	PART N°	QTY	DESCRIPTION	APPLICATION
44	083.091	1	Voltage stabiliser	
47	083.117	1	Fuse box	MKI, II
48	083.118	1	Cover, fuse box	MKI, II
49	162.902	3	Screw	
	164.015	3	Washer, spring	
50	084.005	1	Fuse set, 35 amp, (3 pcs)	
51	083.170	1	Fuse box	MKIII, IV, 1500
52	083.171	1	Cover, fuse box	
53	083.124	1	Replacement horn, high, plastic	
	083.125	1	Replacement horn, Low, plastic	
63	086.193	1	Horn, low, die cast	
	086.194	1	Horn, high, die cast	
64	135.366	2	Bracket	
65	083.079	1	Flasher unit, 3 pole	MKI, II, III
	086.078	1	Flasher unit, 2 pole	MKIV Germany only
	086.078	1	Flasher unit, 2 pole	1500 D, B, DK, F, NL, I, CH, A
66	162.133	1	Screw	
67	164.023	1	Washer, spring	
68	163.012	1	Washer, plain	
69	161.054	1	Nut	
70	083.172	1	Flasher unit, 2 pole	MKIV, 1500 from FH50001 to FH100020 except D, B, DK, F, NL, I, CH, A
	086.178	1	Flasher & Hazard unit	1500 from FH100021 except D, B, DK, F, NL, I, CH, A
	083.173	1	Hazard unit	MKIV, 1500 except Germany
	083.173	1	Hazard unit	1500 to FH100020 except D, B, DK, F, NL, I, CH, A
71	083.357	1	Clip relay	
73	086.078	1	Hazard unit	MKIV from FH50001 Germany
	083.078	1	Hazard unit	1500 D, B, DK, F, NL, I, CH, A
74	080.204	1	Extension, harness	
75	012.084	1	Water temp.-transmitter	
76	1	Switch, oil press. warning	
77	086.219	1	Relay, horn	
82	086.219	1	Relay, horn	1500 to FH100020
	083.425	1	Relay, horn	
83	081.349	1	Loop cable	
84	083.120	1	Relay, overdrive	MKI, II, III, IV 'D'-type
85	083.297	1	Brake light switch	
86	164.050	1	Washer, spring	
87	161.279	1	Nut	
88	086.068	1	Switch, hand-brake warning	
89	162.052	1	Screw	
90	086.221	A/R	Switch, courtesy light	one bullet terminal type
91	086.188	A/R	Switch, courtesy light	one Lucar connector type
92	086.179	A/R	Switch, courtesy light insulated type	double Lucar connector
93	162.588	A/R	Screw	
94	086.181	1	Switch, boot lamp	
95	086.146	2	Switch, seat sensor	
96	172.236	4	Rivet	
97	172.566	2	Clip for wiring	
98	162.507	1	Set screws, washers, nuts, 10 of each	
99	083.969	1	Night dimming relay for rear lights	MKIV only, up to FH50001
102	083.052	1	Switch, inhibitor	overdrive models only
103	168.129	1	Washer, fibre	
104	161.450	1	Nut	
105	083.052	1	Switch, reverse light	three rail gearbox only
106	168.129	1	Washer, fibre	
107	083.300	1	Switch, reverse light	single rail gearbox only
108	163.088	1	Washer	
110	086.222	1	Switch	
111	161.495	1	Nut	
112	084.010	1	Foot dipper switch	up to FC42199
	083.080	1	Foot dipper switch	from FC42500 to MKIII
114	162.123	2	Screw	
115	164.012	2	Washer, spring	
116	162.164	2	Screw, cut to length	
117	164.015	2	Washer, spring	
118	083.169	A/R	Fuse holder, accessories	
119	172.433	A/R	Bracket for fuse holder	
120	084.005	1	Fuse set, 35-amp (3 pieces)	
	083.162	1	Fuse set, 50-amp (3 pieces)	
123	172.496	1	Clip	
124	162.060	1	Screw	
125	163.013	1	Washer, plain	
126	164.015	1	Washer, spring	
127	161.024	1	Nut	



MK I, II



MK III, IV, 1500

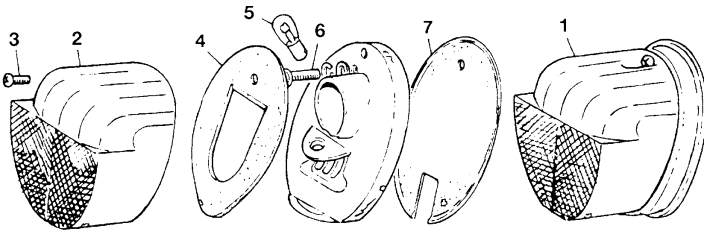


ILL N°	PART N°	QTY	DESCRIPTION	APPLICATION
1	084.017	2	Headlamp bowl, 3 adj.-type	1962-'63 MKI
2	084.015	2	Seal, bowl to body	1962-'63 MKI
3	084.014	2	Pair lamp retaining rims	1962-'63 MKI
4	084.157	2	Set adjusting screws : screws, springs & dust caps	1962-'63
5	166.065	6	Screw, inner rims	
6	162.729	8	Screw, headlamp to body	
7	163.012	8	Washer, plain	
8	161.317	8	Spire nut	
9	133.050	2	Headlamp bowl, 2 adj.-type	1964-'80
10	084.081	2	Seal, bowl to body	1964-'80
11	084.053	2	Inner bowl	1964-'80
12	084.087	2	Inner rim, chrome	1964-'80
13	084.051	2	Adjusting kit, incl.: two screws and plastic nuts, one retaining spring	1964-'80
14	084.177	2	Dust seal, outer rim	1962-'63
15	084.153	2	Chrome headlamp rim	1962-'70
16	172.043	2	Clip, spring type	1962-'70
	172.159	2	Clip, two finger type	1962-'70
22	084.082	2	LHD light unit, Lucas	
23	084.054	2	Bulb	
24	084.052	2	Wiring & socket	
27	084.103	2	LHD H4 Light unit, Lucas	
28	084.110	2	Bulb H4	
29	185.007	1	Pair stone-guards, stainless steel. Supplied with fittings.	
30	084.513	2	Side lamp, clear, 5 W, less bulb	MKI, II
	084.024	2	Flasher lamp, amber, 21W, less bulb	MKI, II except Italy
	084.513	2	Flasher lamp, clear, 21W, less bulb	MKI, II Italy

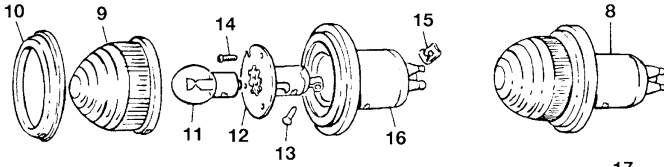
ILL N°	PART N°	QTY	DESCRIPTION	APPLICATION
31	084.092	A/R	Body rubber	
32	084.175	A/R	Bulb holder	
33	162.588	A/R	Screw (use 3 each lamp)	
34	161.315	A/R	Spire nut (use 3 each lamp)	
35	084.074	2	Bulb 5 Watt	side lamp
	084.062	2	Bulb 21 Watt	flasher lamp
36	084.091	A/R	Lens, clear	
	084.089	A/R	Lens, amber	
37	084.080	4	Chrome retaining rim	
43	084.064	2	Front side & indicator lamp clear and amber lens	MKIII, IV, 1500
	084.542	2	Front side & indicator lamp both clear lenses	Italy
44	084.068	4	Gasket, foam	
45	084.069	2	Bulb, parking lamp 5 Watt	
46	084.062	2	Bulb, indicator 21 Watt	
47	084.066	2	Lens, parking, clear	
48	084.065	2	Lens, indicator, amber	
	084.378	2	Lens, indicator, clear	Italy
49	084.067	2	Rim	
50	162.161	4	Screw	
51	084.546	2	Front lamp ass. clear	Italy to 06/'77
52	084.549	4	Gasket, foam	
53	084.063	2	Bulb, 21/5 W	
54	084.548	2	Lens, clear	Italy to 06/'77
62	084.544	2	Lens special, Clear	
63	084.545	2	Lens special, Amber	
64	161.392	4	Clip, nut	
65	164.076	4	Washer, shake-proof	
66	162.717	4	Screw	



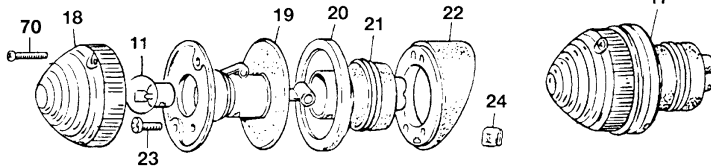
MKI, II, III Tail & stop lamp



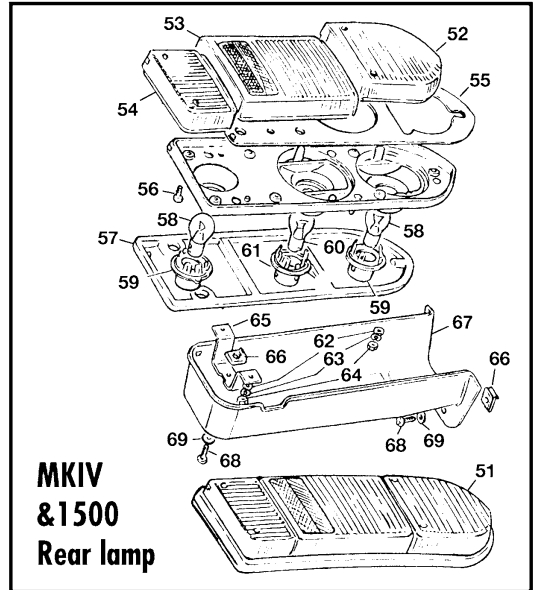
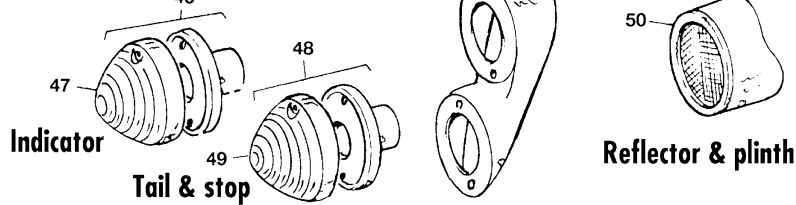
MKI, II Indicator or reverse lamp



MKIII Indicator lamp

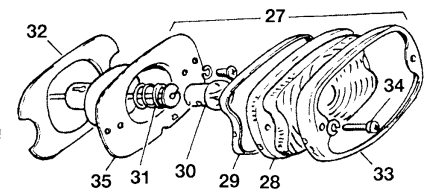


Italy MKI, II



MKIV & 1500 Rear lamp

1970 Reverse lamp

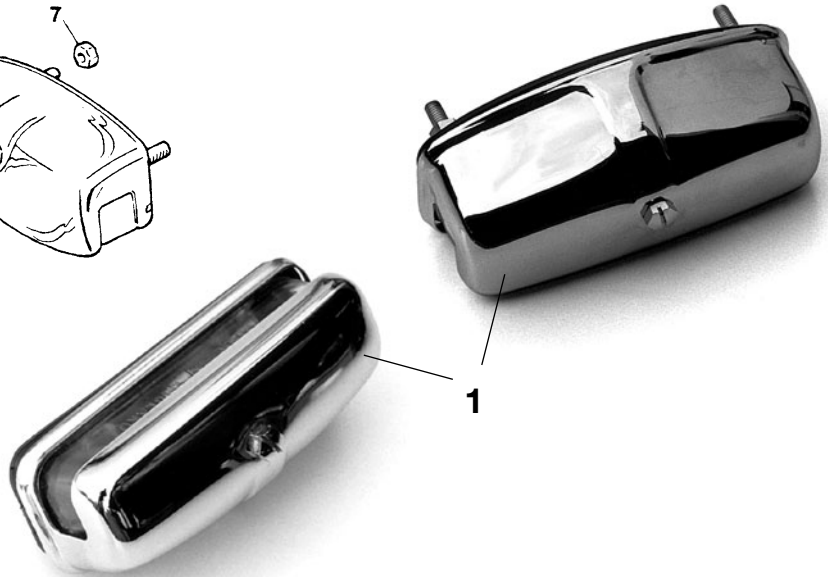
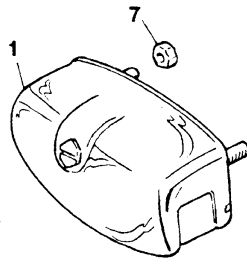
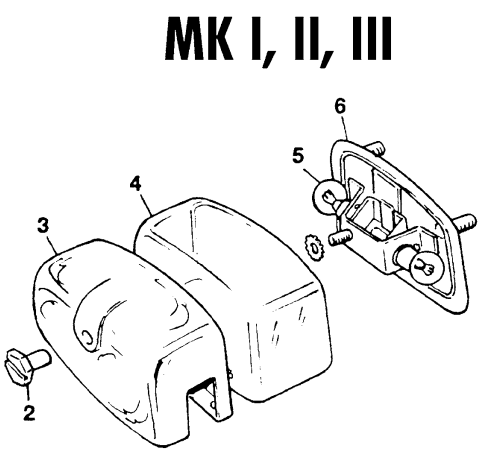


ILL N°	PART N°	QTY	DESCRIPTION	APPLICATION
1	084.216	2	Lamp ass. stop, tail & reflector	MKI, II, III
2	084.217	2	Lens, stop, tail, reflector	MKI, II, III
3	162.312	2	Screw	MKI, II, III
4	084.565	2	Gasket, lens seating	MKI, II, III
5	084.063	2	Bulb 21/5 W	MKI, II, III
6	162.716	4	Screw, lamp to body	MKI, II, III
7	084.564	2	Seal, lamp to body	MKI, II, III
8	084.024	2	Amber lamp 21W	MKI, II flasher or reverse
	084.513	2	Clear reverse lamp 21W	MKI, II, III
9	084.089	2	Lens, amber	
	084.090	2	Lens, red	
	084.091	2	Lens, clear	
10	084.080	4	Rim, chrome	
11	084.062	4	Bulb, 21W	
12	084.175	4	Socket	
13	083.044	A/R	Sleeve terminal	
14	162.138	12	Screw	
15	161.315	12	Spire nut	
16	084.092	2	Body	
17	084.214	2	Flasher lamp, amber	MKIII
	084.559	2	Flasher lamp, red	MKIII
18	084.215	2	Lens, amber	MKIII
	084.560	2	Lens, red	MKIII
19	084.561	2	Gasket, lamp seating	MKIII
20	084.562	2	Bezel, spacer	MKIII
21	122.039	2	Grommet	
22	084.563	2	Plinth	MKIII
23	162.769	6	Screw, N° 6 pan head	
24	161.315	6	Spire nut	
27	084.571	1	Reverse lamp, clear	1970
	084.572	1	Reverse lamp, amber	1970 France
28	084.573	1	Lens, clear	1970
	084.574	1	Lens, amber	1970 France
29	084.575	1	Seal, lens seating	1970
30	084.062	1	Bulb 21W	1970
31	084.298	1	Interior, bulb holder	1970

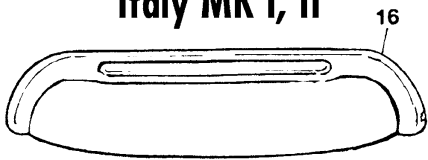
ILL N°	PART N°	QTY	DESCRIPTION	APPLICATION
32	084.576	1	Gasket, lamp seating	1970
33	084.577	1	Rim	1970
34	162.906	2	Screw, rim	1970
35	084.578	1	Body	1970
45	084.580	1	RH Plinth	MKI, II Italy only
	084.581	1	LH Plinth	MKI, II Italy only
46	084.582	2	Flasher lamp assembly	MKI, II Italy only
47	084.583	2	Lens, flasher	MKI, II Italy only
48	084.584	2	Stop & Tail lamp ass.	MKI, II Italy only
49	084.585	2	Lens, stop & tail	MKI, II Italy only
50	084.586	1	RH Reflector ass.	MKI, II Italy only
	084.587	1	LH Reflector ass.	MKI, II Italy only
51	084.223	1	RH Rear lamp ass. amber-red-clear	MKIV, 1500 except France MKIV
	084.224	1	LH Rear lamp ass. amber-red-clear	MKIV, 1500 except France MKIV
	084.588	1	RH Rear lamp ass. amber-red-orange	MKIV France only!
	084.589	1	LH Rear lamp ass. amber-red-orange	MKIV France only!
52	084.229	2	Amber flasher lens	MKIV, 1500
53	084.230	2	Stop & tail lens, red	MKIV, 1500
54	084.231	2	Clear lens, reverse lamp	MKIV, 1500 except MKIV France
	084.596	2	Orange lens, reverse lamp	MKIV France only!
55	084.228	2	Gasket, lens seating	
56	162.501	16	Screw, lens fixing	
57	084.225	2	Gasket, lamp to body	
58	084.062	4	Bulb 21W	flasher or reverse lamp
59	084.226	4	Bulb holder, single	flasher or reverse lamp
60	084.063	2	Bulb 21/5W	stop & tail lamp
61	084.227	2	Bulb holder, double	stop & tail lamp
62	163.013	10	Washer, plain	
63	164.015	10	Washer, spring	
64	161.024	10	Nut	
65	133.672	2	Bracket	
66	172.080	2	Spire nut	
67	150.945	1	RH Cover, lamp protection	
	150.946	1	LH Cover, lamp protection	
68	162.145	4	Screw	
69	163.013	4	Washer, plain	
70	162.404	2	Screw, lens	



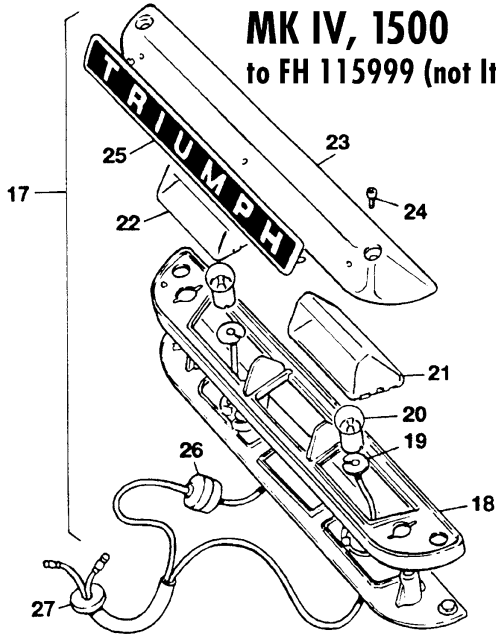
MK I, II, III



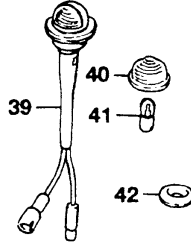
Italy MK I, II



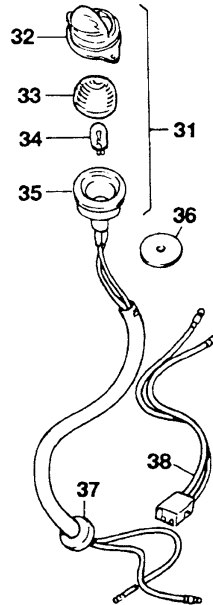
MK IV, 1500 to FH 115999 (not Italy)



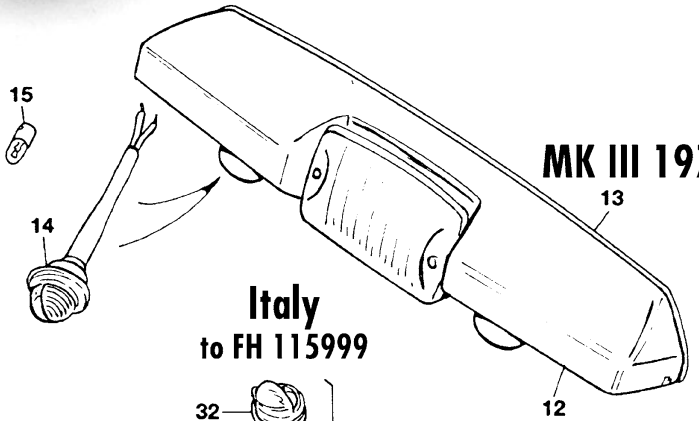
MK IV, 1500 1972-'80



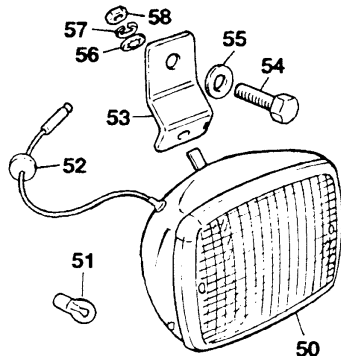
Italy to FH 115999



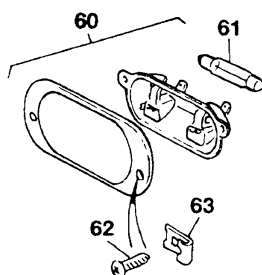
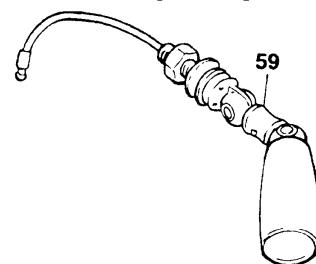
MK III 1970



Fog lamp



Map lamp

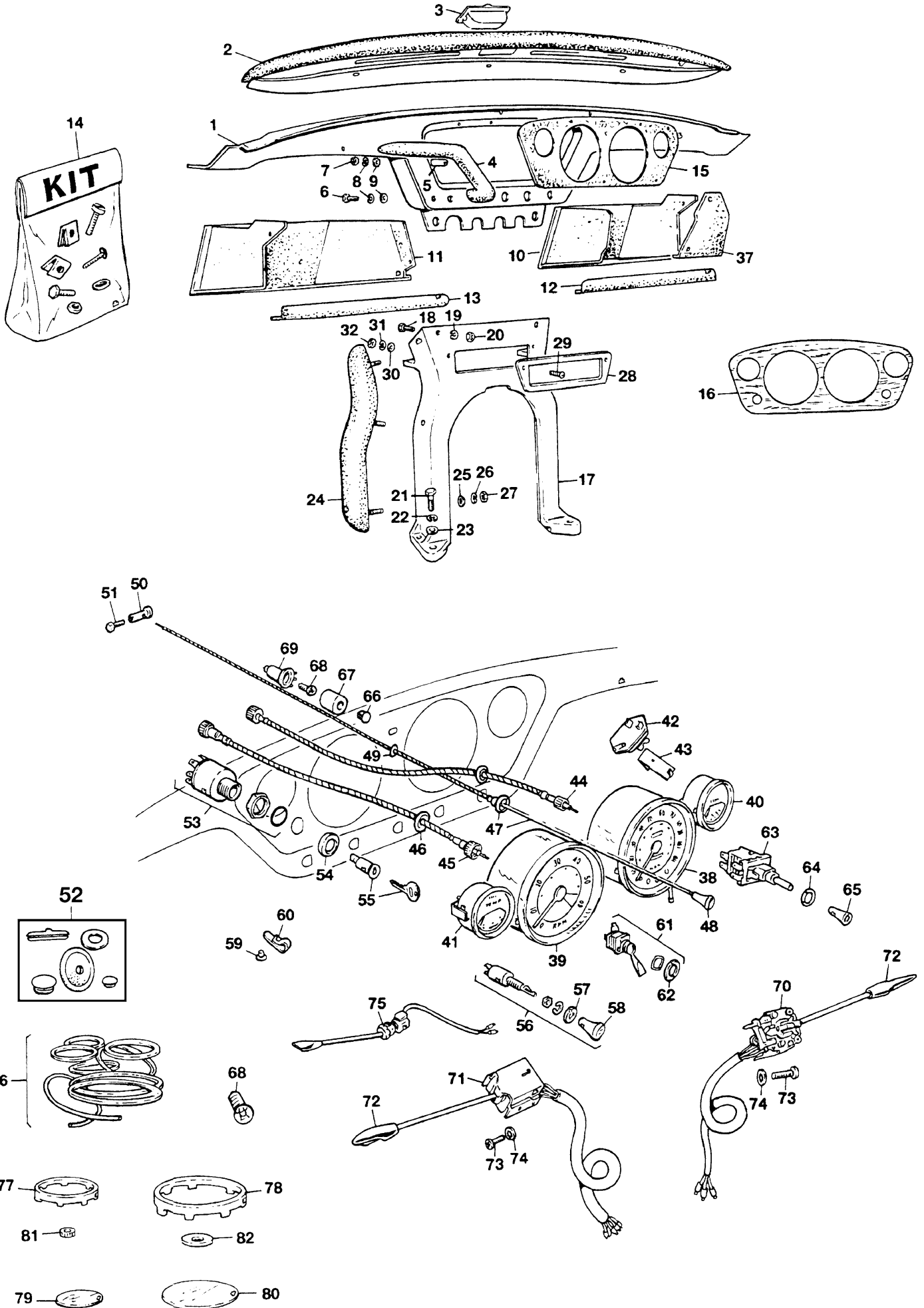


Number plate, fog, map reading and boot lamps



ILL N°	PART N°	QTY	DESCRIPTION	APPLICATION
1	084.023	1/2	Number plate lamp ass.	MKI, II, III
2	162.382	1/2	Nut, lens fixing	MKI, II, III
3	084.206	1/2	Cover, lens	MKI, II, III
4	084.142	1/2	Lens	MKI, II, III
5	084.069	2/4	Bulb	MKI, II, III
6	084.141	1/2	Seal, lamp seating	MKI, II, III
7	161.024	2/4	Nut	MKI, II, III
12	135.372	1	Plinth, less reverse lamp and number plate lamps	MKIII 1970
13	121.364	1	Seal, plinth	MKIII 1970
14	084.232	2	Lamp, number plate	MKIII 1970
15	084.128	2	Bulb	MKIII 1970
16	084.600	1	Lamp, number plate	ITALY only
17	084.218	1	Number plate lamp	MKIV, 1500 except Italy
18	084.222	1	Rubber seal, lamp seating	MKIV, 1500 except Italy
19	084.298	2	Terminal kit	MKIV, 1500 except Italy
20	084.074	2	Bulb	MKIV, 1500 except Italy
21	084.220	1	RH Lens	MKIV, 1500 except Italy
22	084.221	1	LH Lens	MKIV, 1500 except Italy
23	084.219	1	Cover	MKIV, 1500 except Italy
24	162.110	2	Screw	MKIV, 1500 except Italy
25	141.581	1	Badge "TRIUMPH"	MKIV, 1500 except Italy
26	122.261	2	Grommet	MKIV, 1500 except Italy
27	122.180	1	Grommet	MKIV, 1500 except Italy
28	163.013	2	Washer, plain	MKIV, 1500 except Italy
29	164.015	2	Washer, spring	MKIV, 1500 except Italy
30	161.024	2	Nut	MKIV, 1500 except Italy
31	084.232	2	Lamp, number plate	Italy to FH115999

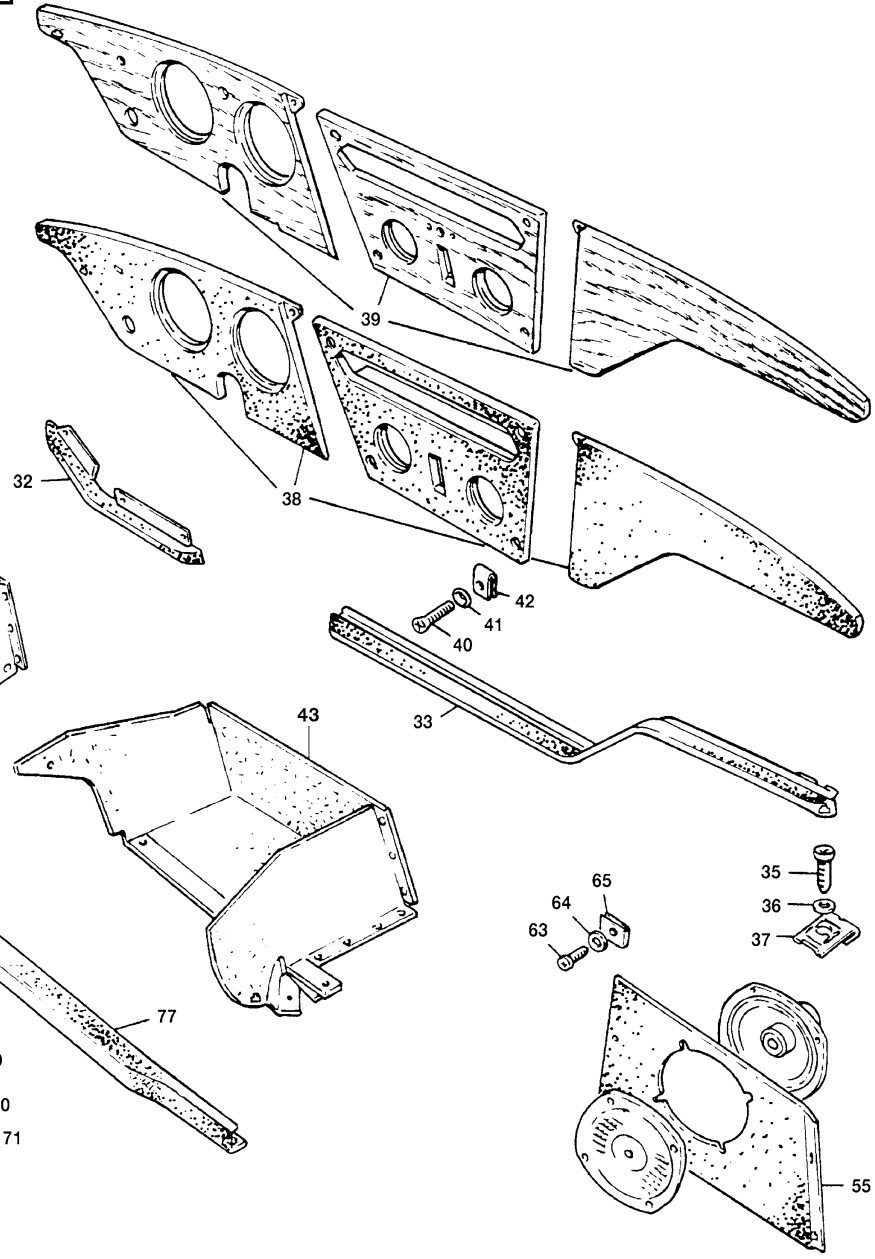
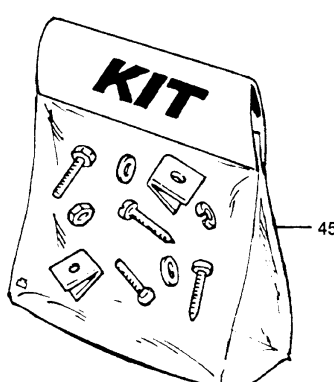
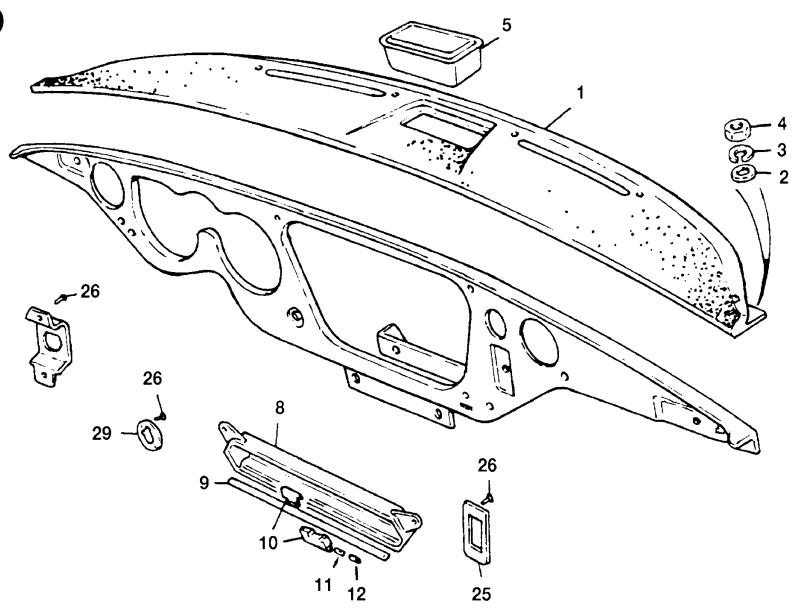
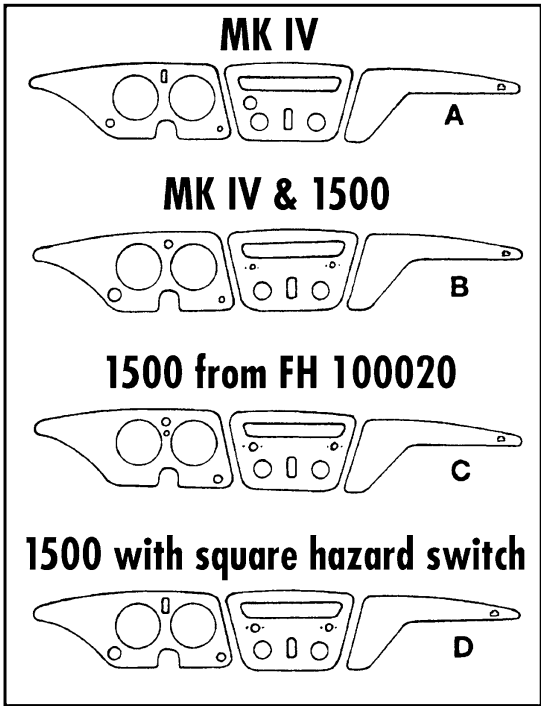
ILL N°	PART N°	QTY	DESCRIPTION	APPLICATION
32	084.233	2	Cover, lens	Italy to FH115999
33	084.146	2	Lens	Italy to FH115999
34	084.128	2	Bulb	Italy to FH115999
35	084.598	2	Body, lamp	Italy to FH115999
36	122.262	2	Grommet	Italy to FH115999
37	122.180	2	Grommet	Italy to FH115999
38	080.205	2	Adaptor and wiring	Italy to FH115999
39	084.144	2	Lamp, number plate	1500, from FH116000
40	084.146	2	Lens	1500, from FH116000
41	084.113	2	Bulb	1500, from FH116000
42	122.195	2	Grommet	1500, from FH116000
50	084.261	1	Fog lamp, chrome version, fixing bracket included	
	084.599	1	Fog lamp, original, black	1979- '80
51	084.062	1	Bulb, 21W	
52	122.180	1	Grommet	
53	135.369	1	Bracket	
54	162.125	2	Screw, bracket to body	for original lamp only
55	164.012	2	Washer, spring	
56	163.097	1	Washer, plain	
57	164.012	1	Washer, spring	
58	161.019	1	Nut	
59	084.597	1	Map reading lamp	
	084.133	1	Bulb	
60	084.376	1	Boot lamp	
61	084.848	1	Bulb	
62	162.494	2	Screw	
63	172.168	2	Spire nut	





ILL N°	PART N°	QTY	DESCRIPTION	APPLICATION
1	132.830	1	Fascia panel LHD	
	150.947	1	Vinyl piece, cover fascia	MKII, III
	135.373	1	Bracket, fascia to column	
	133.888	4	Clip, wiring	
2	150.272	1	Cover, dash top piece	
3	141.254	1	Ash tray	
4	150.948	1	Grab handle	MKI
	150.948	1	Grab handle	MKII, III
5	135.374	1	Tube, distance	
6	162.076	2	Screw	
7	161.019	1	Nut	
8	164.012	3	Washer, spring	
9	163.010	3	Washer, plain	
10	150.080	1	RH Glove box LHD cars	
11	150.082	1	LH Glove box LHD cars	
12	150.081	1	RH Support rail	
13	150.083	1	LH Support rail	
14	135.375	1	Fixing kit, 2 glove boxes	
15	132.818	1	Instrument panel LHD cars	MKI
	135.378	1	Instrument panel LHD cars	MKII
	135.381	1	Instrument panel	MKIII
	162.473	6	Screw, panel fixing	
	161.391	6	Nut, panel fixing	
16	150.851	1	Instrument panel, Walnut veneer	MKIII
17	135.383	1	Central console	
18	162.647	2	Screw, upper mounting	
19	163.013	2	Washer, plain	
20	161.061	2	Nut, nylac	
21	162.907	4	Screw, chrome plate	
22	164.002	4	Washer, spring	
23	163.139	4	Washer, plain, chrome plated	
24	150.952	2	Trim roll	
25	163.013	6	Washer, plain	
26	164.015	6	Washer, spring	
27	161.024	6	Nut	
28	135.385	1	Blanking plate, radio hole	
29	162.060	2	Screw	
30	163.013	2	Washer, plain	
31	164.015	2	Washer, spring	
32	161.024	2	Nut	
37	150.953	1	Board, filler LHD cars	
38	086.225	1	Speedo meter, KPH	MKI, II
	086.226	1	Speedo meter, KPH	MKIII SN6203/19
	172.066	1	Clamp, speedo meter	
39	086.229	1	Revolution counter	MKI RN1319/00-03-03A
	086.230	1	Revolution counter	MKII, III RN1319/02
	172.065	2	Clamp, rev.-counter	
40	086.074	1	Fuel gauge	MKI, II BF2201/03
	086.231	1	Fuel gauge	MKIII BF2201/12
	083.096	1	Clamp, fuel gauge	
41	086.075	1	Temperature gauge	BT2204/03
42	083.091	1	Voltage stabiliser	
43	135.365	1	Bracket	

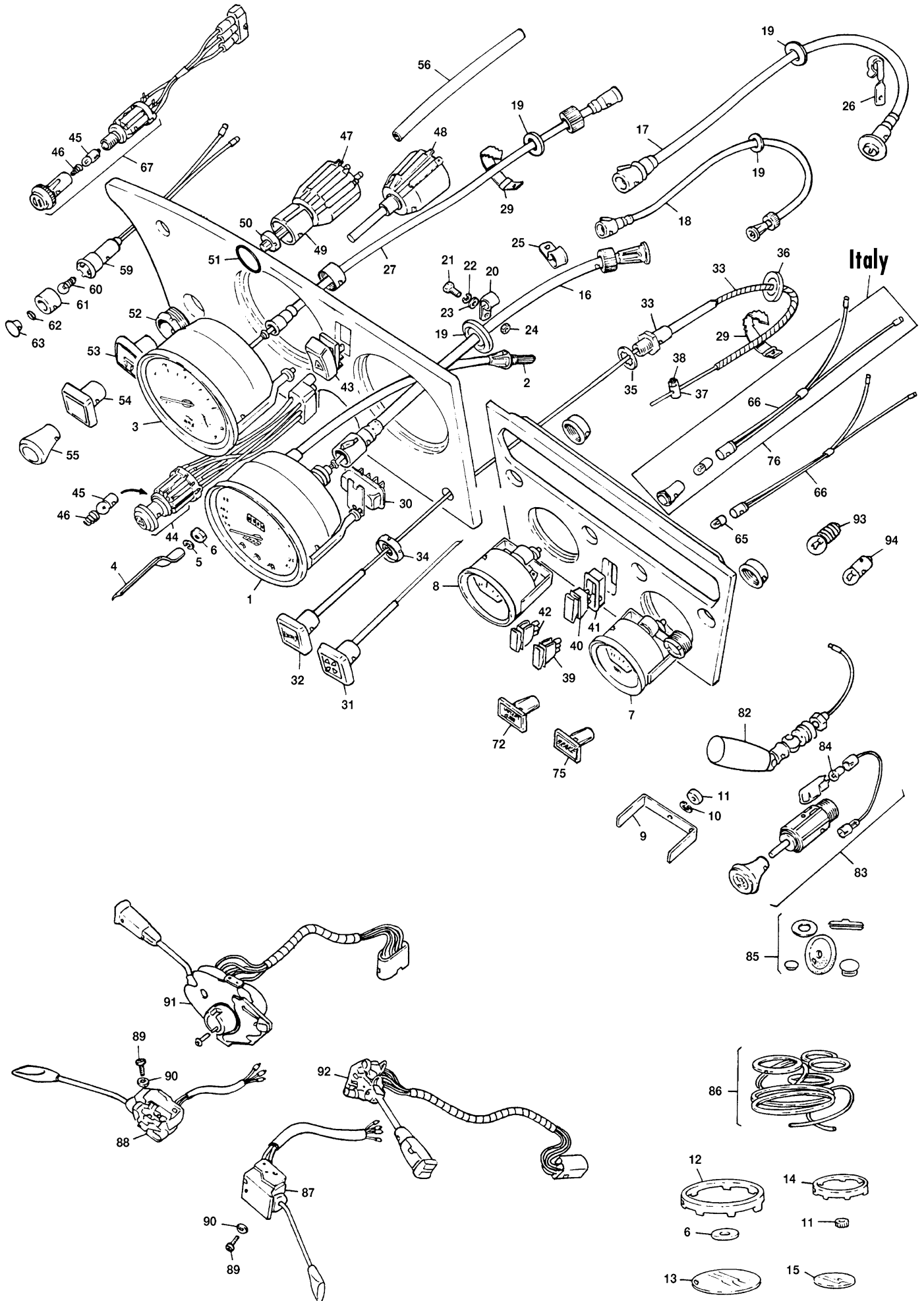
ILL N°	PART N°	QTY	DESCRIPTION	APPLICATION
44	083.460	1	Cable, speedometer, 78cm	MKI to FC5964
	083.548	1	Cable, speedometer, 121cm, non-overdrive model	MKI, II, III from FC5964 to FC31254
	134.043	1	Cable, speedometer, 178cm, non-overdrive model	MKIII from FC31254 to 79357
	083.512	1	Cable, speedometer, 153cm, non-overdrive model	MKIII from 79358
	134.026	1	Cable, speedometer, 127cm, overdrive model	MKI, II, III to FC31254
	134.043	1	Cable, speedometer, 178cm	MKIII from FC31254
45	083.461	1	Cable, revolution counter	MKI to FC5964 78cm
	083.759	1	Cable, revolution counter	MKI, II, III from FC5965 74 cm
46	122.193	2	Grommet, cable pass	
47	101.419	1	Choke cable	
48	083.798	1	Knob, choke symbol	
49	122.180	1	Grommet, cable pass	
50	172.054	1	Fastener, cable	
51	162.271	1	Screw	
52	135.363	1	Grommet kit, fire wall, 9 pieces	
53	083.913	1	Ignition switch	
54	083.610	1	Bezel, ignition switch	
55	083.035	1	Barrel & 2 keys	
56	083.034	1	Wiper switch	screw fitting, early
	086.232	1	Wiper switch	push-on fittings
57	161.417	1	Bezel	
58	083.797	1	Knob	
59	172.059	A/R	Clip for knob	for old type switches
60	172.058	A/R	Pin for knob	for old type switches
61	083.088	1	Heater switch	
62	083.609	1	Bezel	
63	083.085	1	Lighting switch pull type (illustrated)	
	083.572	1	Lighting switch rocker type (like N°61)	
64	161.417	1	Bezel	
65	083.792	1	Knob	
66	083.040	1	Green lens, flasher	
67	083.130	1	Shade	
68	084.123	A/R	Bulb, dash light etc.	
69	083.115	1	Bulb holder	
70	083.303	1	Indicator switch	
71	083.302	1	Head lamp & lamp flasher switch	
72	086.098	A/R	Spare knob	
73	162.774	4	Screw	
74	164.056	4	Washer, shake-proof	
75	083.615	1	Overdrive switch	for LH installation
	083.879	1	Overdrive switch	for RH installation
76	083.439	1	Sealing kit, instruments, 2x2" & 2x5"	
77	083.434	2	2" Rim, chrome plated	
78	083.456	2	4" Rim, chrome plated	
79	083.454	2	2" Glass	
80	083.455	2	4" Glass	
81	161.356	4	Knurled nut, small	
82	161.057	4	Knurled nut, large	





ILL N°	PART N°	QTY	DESCRIPTION	APPLICATION
1	150.267	1	Dash top cover	
2	163.013	6	Washer, plain	
3	164.015	6	Washer, spring	
4	161.024	6	Nut	
5	141.254	1	Ash tray	
8	063.222	1	Escutcheon	to FH50000
	063.223	1	Escutcheon	from FH50001
9	063.230	1	Strip, escutcheon	
10	063.225	1	Clip, mask bulb	
11	084.130	1	Bulb, 1.2W	
12	084.137	1	Bulb holder	
25	135.281	1	Plate for hazard switch	
26	162.062	A/R	Screw	
29	135.395	1	Plate, wiper switch	
32	150.513	1	LH Padding	
33	150.956	1	RH Padding	
35	162.588	4	Screw	
36	163.012	4	Washer, plain	
37	172.569	4	Spire nut, on clip	
38	150.958	1	Black dash board kit	MKIV up to FH50000 single brake system
	150.959	1	Black dash board kit	MKIV up to FH50000 dual brake system
39	Walnut veneer dashboard sets sold by Anglo Parts are made to our own special attention has been given to the glossy finish, edges and the backside. This is important to ensure a correct fit and we guarantee that you will be pleased with the high quality of these dashes. Please note ! Look carefully at the drawings ABCD before ordering. Look at all holes and compare these to identify the correct model type.			
	150.850	1	'A' Dash board set, walnut veneer MKIV single brake system, square hazard switch hole & no warning lamps for seat belts or brake problems.	
	150.868	1	'B' Dash board set, walnut veneer MKIV, 1500 dual brake pipe system, round hazard switch hole and two warning lamps.	
	150.869	1	'C' Dash board set, walnut veneer 1500 from FH100020 or FM60006 (USA) From now on the wiper switch is placed at the steering column.	
	150.870	1	'D' Dash board set, walnut veneer 1500 square hole, hazard switch	

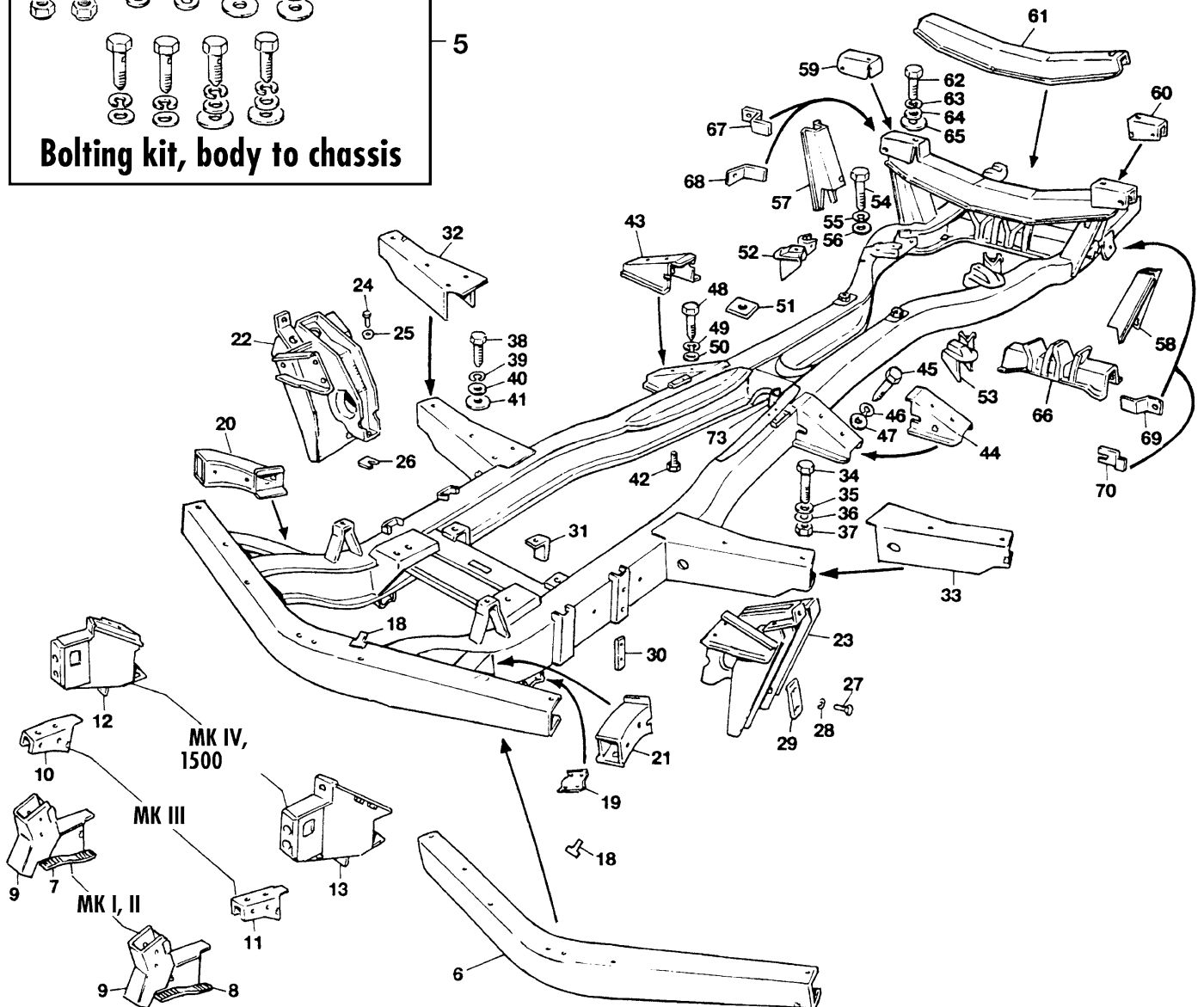
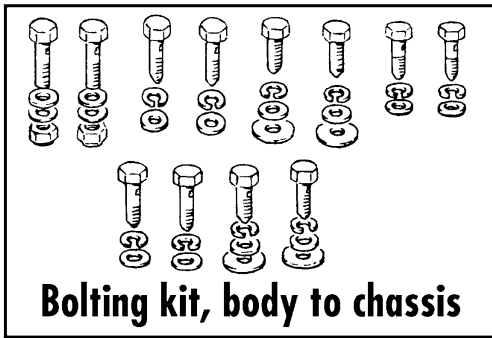
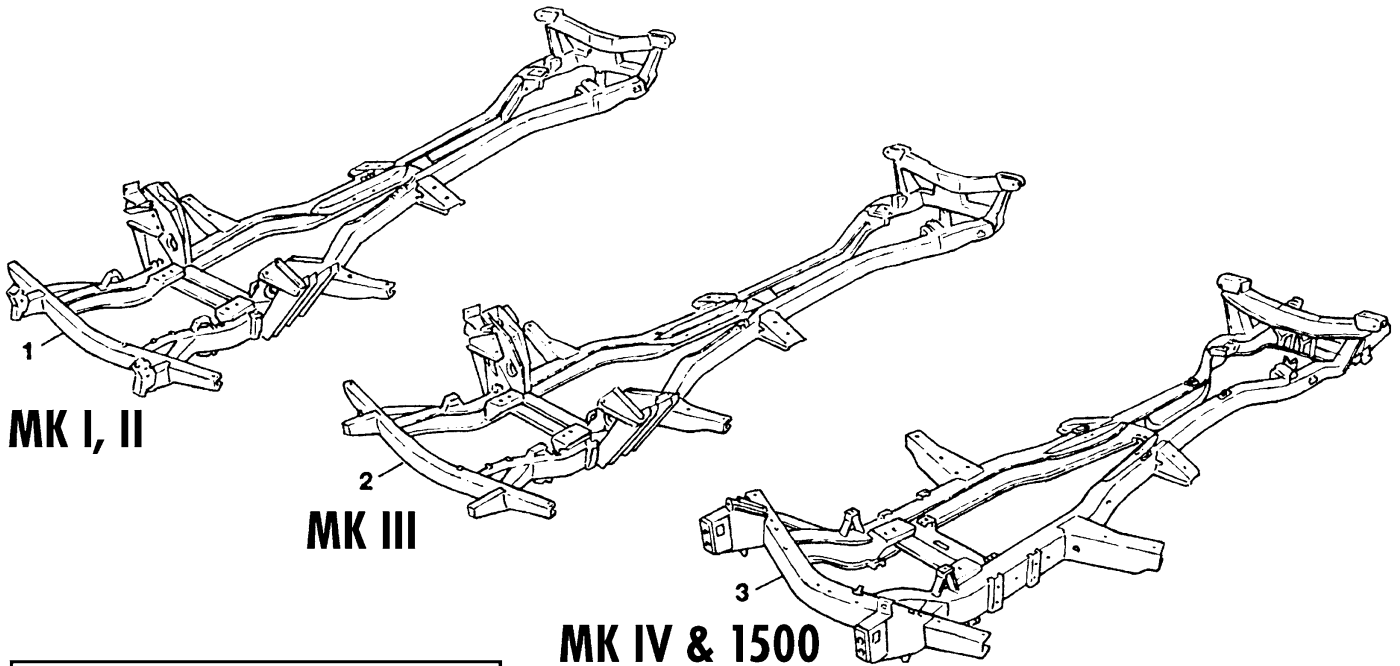
ILL N°	PART N°	QTY	DESCRIPTION	APPLICATION
40	162.473	4	Black screw	black dash
	162.745	4	Chrome screw	veneer dash
41	163.068	4	Black cup washer	black dash
	163.052	4	Chrome cup washer	veneer dash
42	161.391	4	Spire nut	
43	150.080	1	RH Glove box	
44	150.082	1	LH Glove box	
45	135.375	1	Screw kit, glove boxes fitting	
55	150.961	1	Mounting board, speaker LHD	
63	162.729	1	Screw	
64	163.012	1	Washer, plain	
65	172.080	1	Spire nut	
66	150.963	1	Central console	
67	150.079	1	Cover piece, console (vinyl)	
68	162.909	2	Screw, chrome plated	front side holes
69	162.907	2	Screw, chrome plated	rear side holes
70	164.002	4	Washer, spring	
71	163.139	4	Washer, plain, chrome plated	
72	162.633	2	Screw, console upper side	
73	163.011	2	Washer, plain-large	
74	163.010	2	Washer, plain-small	
75	161.061	2	Nut, nyloc	
76	150.081	1	RH Support rail	
77	150.083	1	LH Support rail	
78	135.399	1	Radio mounting plate	
79	133.841	1	Cover plate, radio hole	





ILL N°	PART N°	QTY	DESCRIPTION	APPLICATION
1	086.239	1	Speedometer KPH, SNT6203/57	to FH50000
	086.240	1	Speedometer KPH, SNT6211/11	from FH50001 to FH100021
	086.241	1	Speedometer KPH, SNT6211/155	from FH100021 to FH130000
	086.099	1	Speedometer KPH, SNT6211/17	FH130001 on
2	086.249	1	Trip flexible	to FH50000
	086.073	1	Trip flexible	from FH50001
3	086.247	1	Tachometer, mechanical, RN1319/04	to FH50000 - MKIV
	086.248	1	Tachometer, mechanical, RN1326/00AS	from FH50001 - MKIV
	083.521	1	Tachometer, electrical, RVC2414/01F	1500
4	172.065	4	Fixing clamps	
5	164.062	4	Washer, spring	
6	161.057	4	Knurled nut	
7	086.250	1	Temp meter BT2204/12	to FH50000
	083.520	1	Temp meter BT2230/00	from FH50001
8	086.251	1	Fuel meter BF2201/16	to FH50000
	083.590	1	Fuel meter BF2232/00	from FH50001
9	086.252	2	Bracket, 2" instruments	
10	164.023	2	Washer, spring	
11	161.356	2	Knurled nut	
12	083.456	2	Chrome rim, 4"	
13	083.455	2	Glass, 4"	
14	083.434	2	Chrome rim, 2"	
15	083.454	2	Glass, 2"	
16	083.970	1	Speedo cable 144 cm, non overdrive model	three rail gearbox 1300
	083.971	1	Speedo cable 160 cm, overdrive model	three rail gearbox 1300
17	083.308	1	Speedo cable 121 cm, non overdrive model	single rail gearbox 1500
18	083.309	1	Speedo cable 137 cm, overdrive model	single rail gearbox 1500
19	122.193	1	Grommet, cable passing	
20	172.435	1	Clip	
21	162.060	1	Screw	
22	164.015	1	Washer, spring	
23	163.013	1	Washer, plain	
24	161.024	1	Nut	
25	172.508	1	Clip	
26	172.571	1	Clamp	
27	083.759	1	Tacho cable	
29	083.058	1	Cable tie	
30	083.091	1	Voltage stabiliser	
31	101.377	1	Inner cable, choke	
32	101.379	1	Inner cable, "choke"	
33	101.378	1	Outer cable, choke	
34	161.410	1	Bezel	
35	164.050	1	Washer, spring	
36	122.180	1	Grommet, cable pass	
37	172.054	1	Trunnion	
38	162.271	1	Screw, trunnion	

ILL N°	PART N°	QTY	DESCRIPTION	APPLICATION
39	083.296	1	Lighting switch	to FH50000
40	083.778	1	Lighting switch	from FH50001
41	086.127	1	Bezel	
42	083.768	1	Lighting switch	1500 to FH100020 or FM60006
	083.295	1	Lighting switch	from FH100020 or FM60006
43	083.551	1	Hazard switch, square rocker knob	early style
44	083.751	1	Hazard switch, round red knob	later style
45	084.126	1	Bulb, 2.2W	
46	171.051	1	Spring	
47	086.153	1	Switch, windscreen wiper and washer	up to FH100020
48	083.826	1	Switch, windscreen wiper and washer	Sweden
49	086.154	1	Spacer	
50	086.155	1	Nut	
51	168.155	1	PVC Washer	
52	083.583	1	Bezel	
53	083.582	1	Knob	
54	086.263	1	Knob, USA	
55	086.253	1	Knob, Sweden	
56	063.228	1	Wire sleeve, PVC	
59	083.115	1	Bulb holder	
60	084.123	1	Bulb	
61	083.130	1	Shade	
62	163.042	1	Washer, chrome	
63	083.040	1	Green lens	up to FH50000
65	084.122	A/R	Bulb	
66	080.206	A/R	Wiring and bulb holder	
67	086.255	1	Switch, rear fog lamp	
72	083.161	1	Warning light, "Fasten seat belt"	
75	083.809	1	Warning light, "Brakes"	
76	083.158	1	Lens, warning-side flashers	Italy from FH52644
82	084.597	1	Map reading lamp ass.	original option !
	084.133	1	Bulb	
83	083.086	1	Cigar lighter ass.	fitted from FH100020
84	084.123	1	Bulb 2.2W	
85	135.363	1	Firewall grommet kit, 9 pieces	
86	083.439	1	Sealing kit, gauges, 16 pieces	
87	083.302	1	Switch, head lamp + flash	up to FH100020
88	083.303	1	Switch, direction indicator	up to FH100020
89	162.774	4	Screw	
90	164.056	4	Washer, shake proof	
91	083.304	1	Switch: direction indicator, headlamp dip and horn	from FH100021
92	083.305	1	Switch, wiper and wash	from FH100021
93	084.123	A/R	Bulb 2.2W, screw type	11 x 23 mm
94	084.126	A/R	Bulb 2W, bayonet type	7 x 18 mm



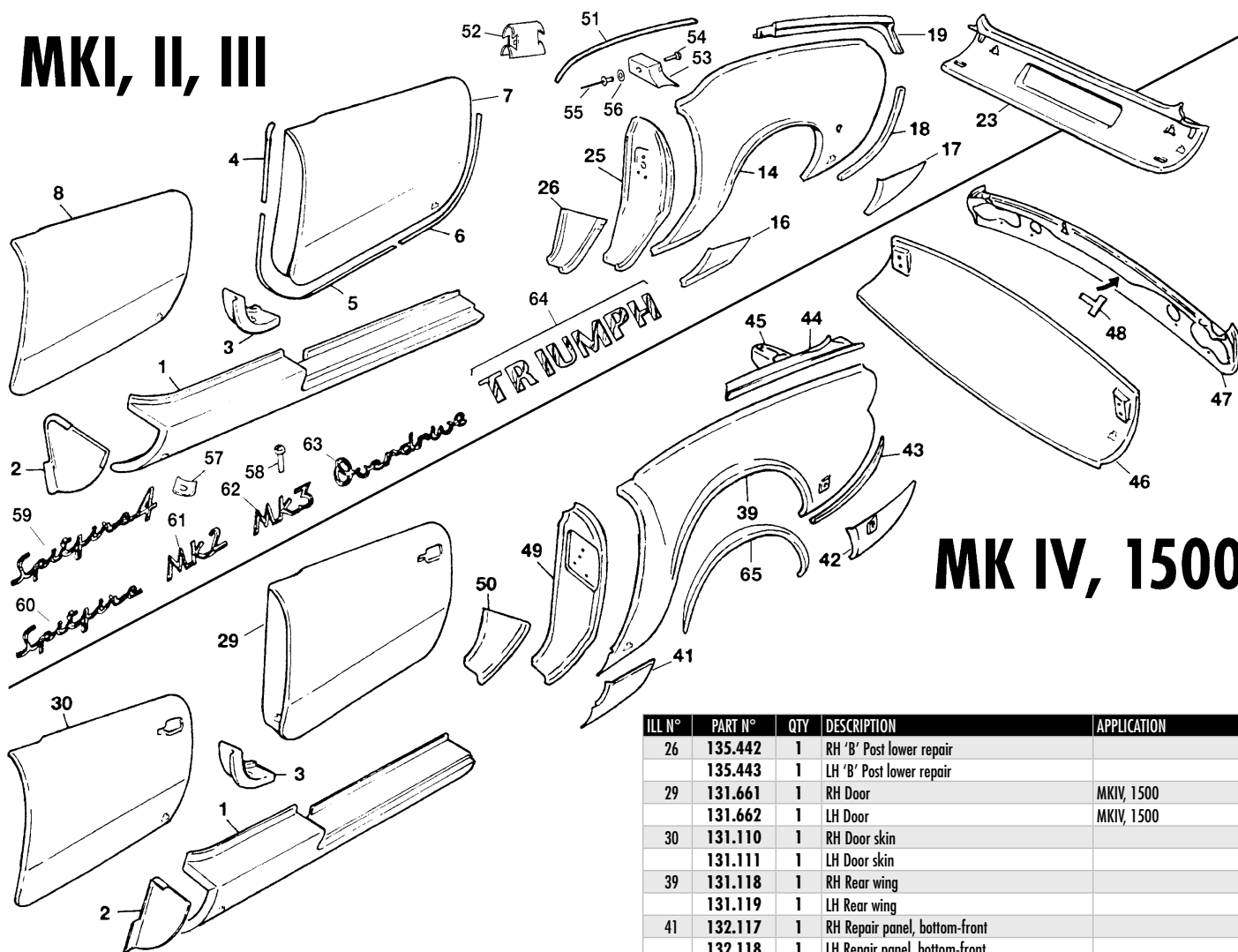


ILL N°	PART N°	QTY	DESCRIPTION	APPLICATION
1	130.052	1	Chassis	MKI, II
2	130.053	1	Chassis	MKIII
3	130.054	1	Chassis	MKIV and 1500
5	135.359	1	Bolting kit, body to chassis	
6	131.324	1	Cross-member, after-market holes need to be drilled	will fit all types
	132.838	1	Cross-member, original specifications	MKI, II, III
	132.839	1	Cross-member, original specifications	MKIV
	132.840	1	Cross-member, original specifications	1500
7	135.406	1	RH Support, bonnet hinge	MKI, II
8	135.407	1	LH Support, bonnet hinge	MKI, II
9	135.408	2	Link, pivot	MKI, II
10	135.409	1	RH Support, bonnet hinge	MKIII
11	134.410	1	LH Support, bonnet hinge	MKIII
12	132.841	1	RH Support, bonnet hinge	MKIV to FH60000/ FM10000U
	133.870	1	RH Support, bonnet hinge	MKIV, 1500 from FH60001
13	132.842	1	LH Support, bonnet hinge	MKIV to FH60000/ FM10000U
	133.871	1	LH Support, bonnet hinge	MKIV, 1500 from FH60001
18	135.404	7	Clamp for wiring	
19	135.412	2	Mounting plate	MKI, II, III
	133.864	2	Mounting plate	MKIV
20	132.847	1	RH Gusset	MKI, II, III
	132.836	1	RH Gusset	MKIV
21	132.848	1	LH Gusset	MKI, II, III
	132.837	1	LH Gusset	MKIV
22	132.709	1	RH Eng. & Susp. mounting	
23	132.708	1	LH Eng. & Susp. mounting	
24	162.691	2	Bolt	
25	163.080	2	Washer, plain	
26	135.413	A/R	Shim, front suspension camber adjustment	
27	162.072	8	Screw	
28	164.053	8	Washer, spring	
29	135.414	4	Plate strengthener	
30	135.401	4	Tapping plate	
31	135.415	1	RH Suspension support, inner	
	135.416	1	LH Suspension support, inner	
32	132.346	1	RH Front outrigger	
33	132.347	1	LH Front outrigger	
34	162.545	2	Bolt, outer	

ILL N°	PART N°	QTY	DESCRIPTION	APPLICATION
35	163.008	2	Washer, plain	
36	163.001	2	Washer, plain	
37	161.012	2	Nut, nyloc	
38	162.592	2	Screw, inner side	
39	164.002	2	Washer, spring	
40	163.008	2	Washer, plain	
41	163.098	2	Mounting block	
42	162.460	4	Screw, mounting block	
43	132.849	1	RH Outrigger, intermediate	
44	132.850	1	LH Outrigger, intermediate	
45	162.206	2	Bolt, outer side	
46	164.002	2	Washer, spring	
47	163.008	2	Washer, plain	
48	162.910	2	Bolt, inner side	
49	164.002	2	Washer, spring	
50	163.008	2	Washer, plain	
51	135.417	2	Pad, mounting, safety belt	
52	135.418	1	RH Bracket, rear axle	MKI, II, III
	135.420	1	RH Bracket, rear axle	MKIV, 1500
53	135.419	1	LH Bracket, rear axle	MKI, II, III
	135.421	1	LH Bracket, rear axle	MKIV, 1500
54	162.545	2	Bolt	
55	164.002	2	Washer, spring	
56	163.008	2	Washer, plain	
57	135.422	1	RH Bracket	MKI, II, III
	132.851	1	RH Bracket	MKIV, 1500
58	135.423	1	LH Bracket	MKI, II, III
	132.852	1	LH Bracket	MKIV, 1500
59	135.424	1	RH Bracket, shock absorber	
60	135.425	1	LH Bracket, shock absorber	
61	132.853	1	Cross-member, rear, upper	
62	162.066	2	Bolt	
63	164.006	2	Washer, spring	
64	163.014	2	Washer, plain	
65	163.098	2	Mounting block	
66	132.854	1	Cross member, rear, lower	
67	135.426	1	RH Bracket, rear hose	MKI, II, III
68	135.428	2	Bracket rear hose	MKIV, 1500
69	135.427	1	LH Bracket, rear hose	MKI, II, III
70	135.429	1	Bracket, 3 way	
73	135.432	1	Bracket, exhaust mounting	
	162.020	1	Screw	



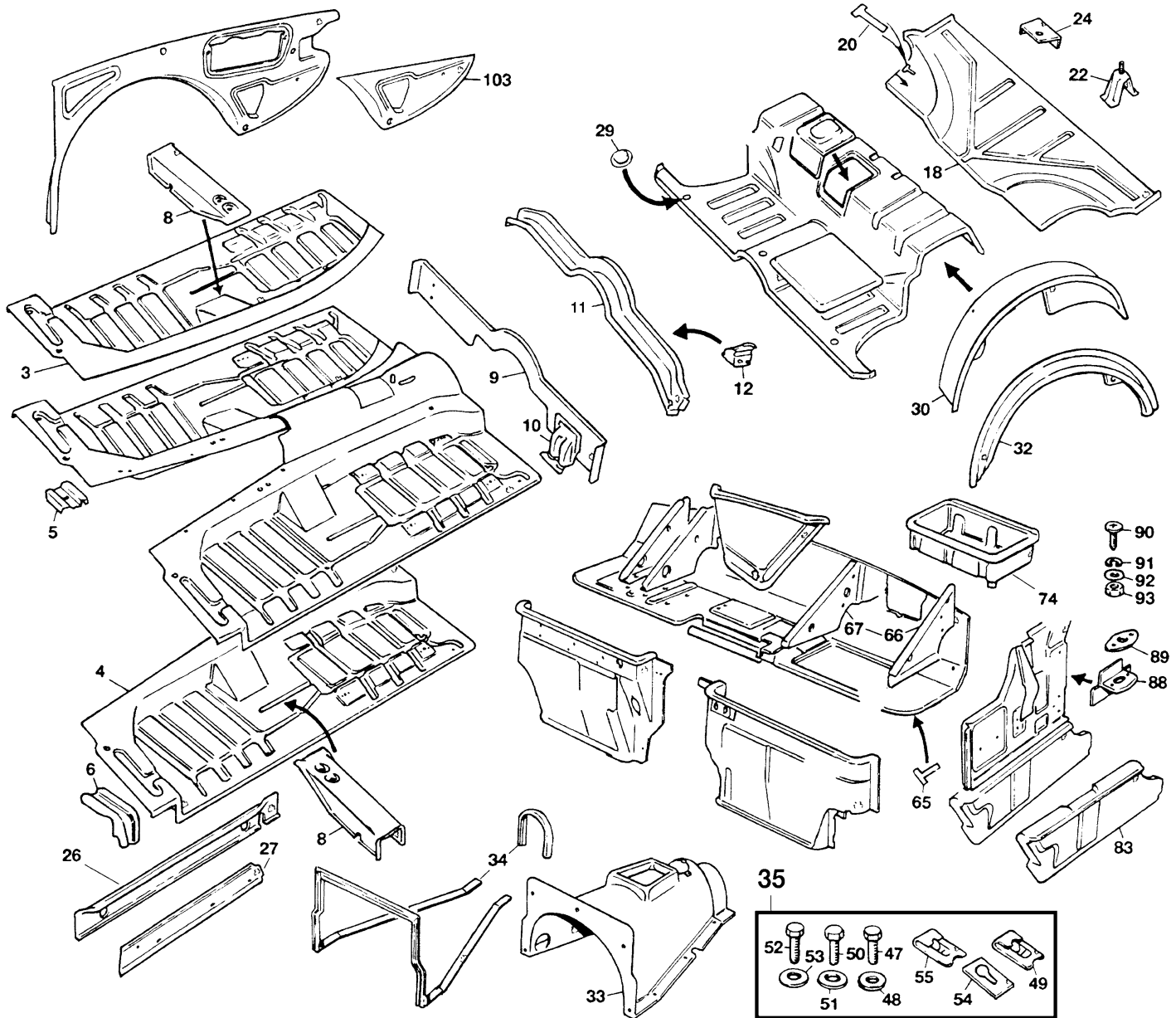
MKI, II, III



MK IV, 1500

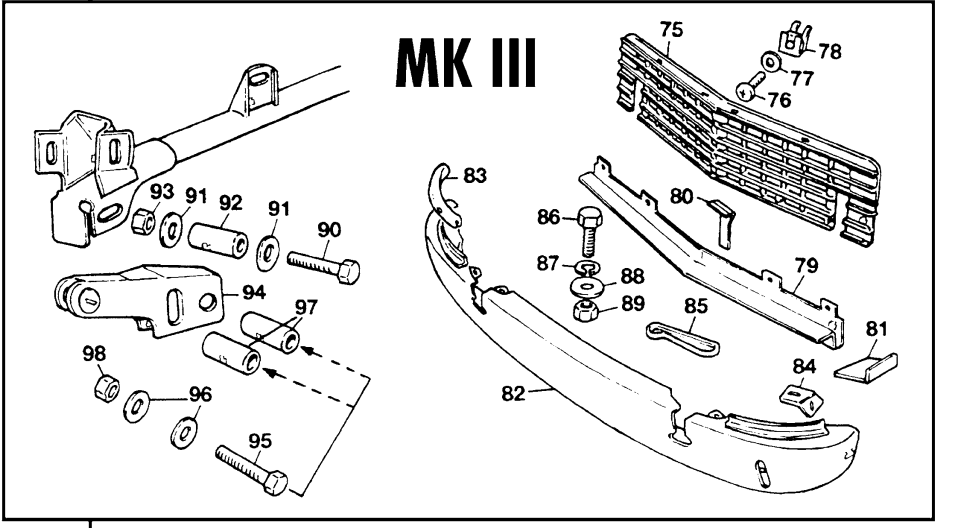
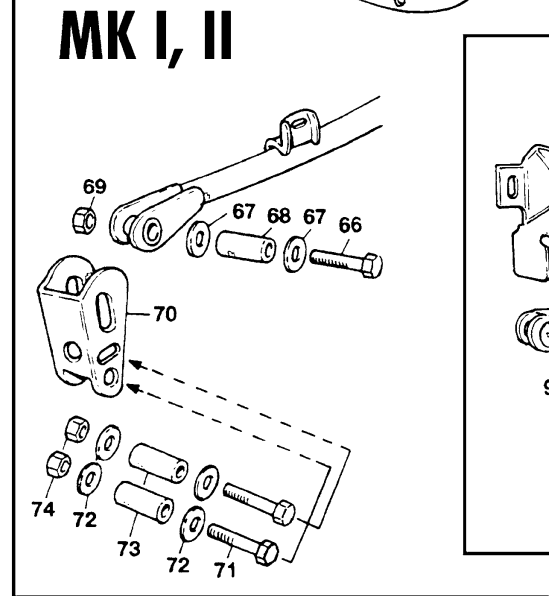
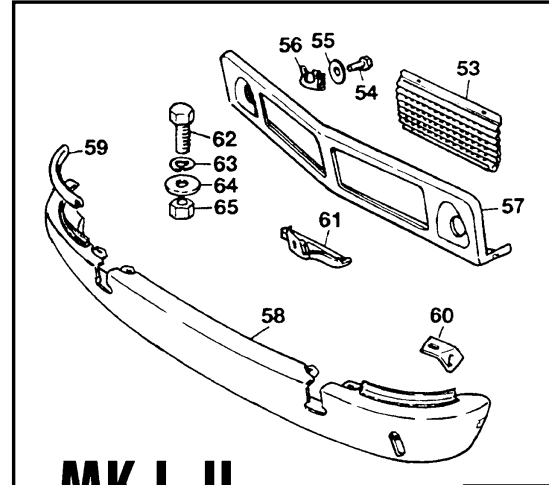
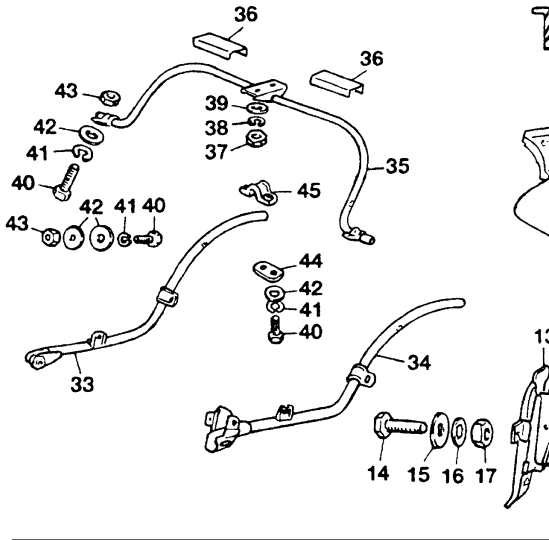
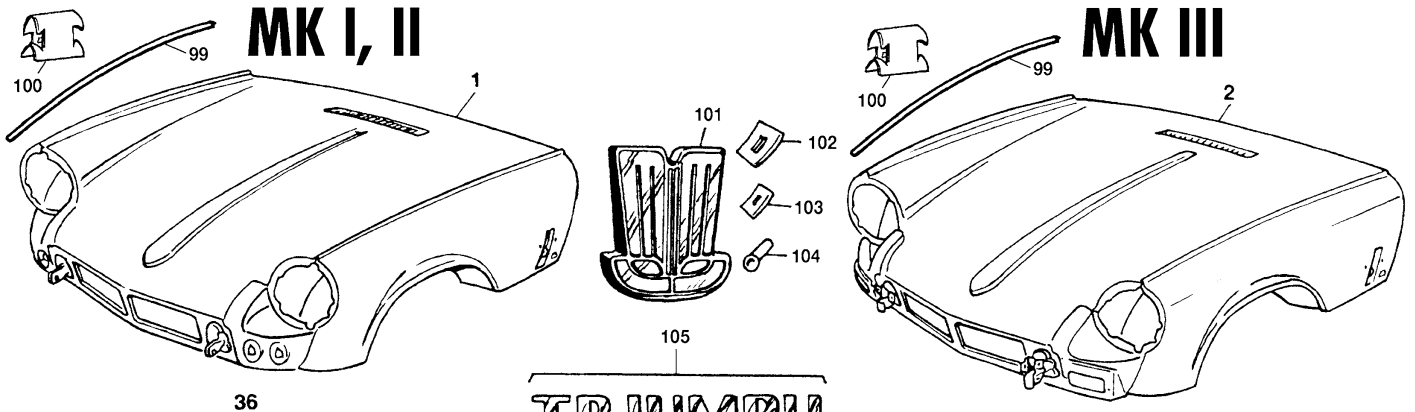
ILL N°	PART N°	QTY	DESCRIPTION	APPLICATION
1	131.122	1	RH Outer sill	
	131.123	1	LH Outer sill	
2	133.184	1	RH Sill closing plate	
	133.185	1	LH Sill closing plate	
3	133.186	1	RH 'A' Post closing plate	
	133.187	1	LH 'A' Post closing plate	
4	134.382	1	RH Seal retainer, front	MKI, II
	134.383	1	LH Seal retainer, front	MKI, II
5	132.856	1	RH Seal retainer, bottom	MKI, II
	132.857	1	LH Seal retainer, bottom	MKI, II
6	134.384	1	RH Seal retainer, rear	MKI, II
	134.385	1	LH Seal retainer, rear	MKI, II
7	131.689	1	RH Door	MKI, II to FC56578
	131.690	1	LH Door	MKI, II to FC56578
	131.691	1	RH Door	MKII from FC56579
	131.692	1	LH Door	MKII from FC56579
	131.693	1	RH Door	MKIII
	131.694	1	LH Door	MKIII
	131.108	1	RH Door skin, plain	MKI, II to FC56578
8	131.109	1	LH Door skin, plain	MKI, II to FC56578
	131.701	1	RH Door skin, with holes for door handle	MKII, III from FC56579
	131.702	1	LH Door skin, with holes for door handle	MKII, III from FC56579
	14	131.116	1	RH Rear wing
16	131.117	1	LH Rear wing	
	132.117	1	RH Repair panel, front/rear	
17	132.118	1	LH Repair panel, Front/rear	
	132.636	1	RH Repair panel, rear/rear	
18	132.637	1	LH Repair panel, rear/rear	
	133.396	2	Finisher strip, to be painted	
19	132.861	1	RH Rear top side panel	
	132.862	1	LH Rear to side panel	
23	131.120	1	Rear valance	
	132.865	1	RH 'B' Post panel	MKII, III from FC56579
25	132.866	1	LH 'B' Post panel	MKII, III from FC56579

ILL N°	PART N°	QTY	DESCRIPTION	APPLICATION
26	135.442	1	RH 'B' Post lower repair	
	135.443	1	LH 'B' Post lower repair	
29	131.661	1	RH Door	MKIV, 1500
	131.662	1	LH Door	MKIV, 1500
30	131.110	1	RH Door skin	
	131.111	1	LH Door skin	
39	131.118	1	RH Rear wing	
	131.119	1	LH Rear wing	
41	132.117	1	RH Repair panel, bottom-front	
	132.118	1	LH Repair panel, bottom-front	
42	132.119	1	RH Repair panel, bottom-rear	
	132.120	1	LH Repair panel, bottom-rear	
43	133.395	2	Finisher strip, to be painted	
	134.244	1	RH Drain channel	
44	134.245	1	LH Drain channel	
	135.451	1	Bracket, boot rod	
46	131.121	1	Rear valance	
47	131.214	1	Rear light panel, inside	
48	133.888	A/R	Wiring clip	
	132.348	1	RH 'B' Post panel	
49	132.349	1	LH 'B' Post panel	
	135.442	1	RH 'B' Post repair panel	
50	135.443	1	LH 'B' Post repair panel	
	134.263	2	Rear wing finisher, polished stainless steel	MKI, II, III
52	172.164	24	Clip, as illustrated	
	172.165	4	Clip, half size	
53	141.605	1	RH 'B' Post finisher	MKI up to FC5463
	141.606	1	LH 'B' Post finisher	MKI up to FC5463
54	141.609	1	Pair 'B' Post finishers	MKI, II, III from FC5464
	141.607	1	RH 'B' Post finisher	MKI, II, III from FC5464
55	141.608	1	LH 'B' Post finisher	MKI, II, III from FC5464
	162.162	2	Screw	MKI, II, III from FC5464
56	167.037	2	Rivet	
57	172.033	A/R	Metal fastener	
58	152.116	A/R	Fix blind, fastener	
59	141.108	1	Boot badge 'Spitfire4'	MKI
	141.107	1	Boot badge 'Spitfire'	MKII, III
60	141.106	1	Boot badge 'MK2'	MKII
61	141.105	1	Boot badge 'MK3'	MKIII
62	141.104	1	Boot badge 'Overdrive'	if fitted
63	141.103	1	'TRIUMPH' letterset	
65	232.433	1	Rear RH repair panel	
	232.434	1	Rear LH repair panel	



ILL N°	PART N°	QTY	DESCRIPTION	APPLICATION
3	131.128	1	RH Floor pan	
4	131.129	1	LH Floor pan	
5	133.992	1	RH Strengthener	
6	133.993	1	LH Strengthener	
8	132.218	2	Cross member	
9	131.501	1	Heel-board	
10	133.985	2	Mounting, radius arm	
11	131.573	1	Rear cross member	
12	135.029	1	Bracket, hand-brake lever	MKIV, 1500
18	131.213	1	Boot floor, reproduction	alternative for all types
20	133.888	4	Clip, wiring loom	
22	132.221	1	Bracket, spare wheel	
24	111.031	1	Bracket, exhaust	
26	131.124	1	RH Inner sill	
	131.125	1	LH Inner sill	
27	131.126	1	RH Baffle plate	
	131.127	1	LH Baffle plate	
29	122.032	3	Plug 1"	
30	132.606	1	RH Inner wheel arch	
	132.607	1	LH Inner wheel arch	
32	132.867	1	RH Outer wheel arch	MK1, II, III
	132.868	1	LH Outer wheel arch	MK1, II, III
	132.354	1	RH Outer wheel arch	MKIV, 1500
	132.355	1	LH Outer wheel arch	
33	131.318	1	Gearbox cover, plastic	

ILL N°	PART N°	QTY	DESCRIPTION	APPLICATION
34	121.295	1	Seal kit, gearbox cover	
35	135.031	1	Fitting kit, cover/body	
47	162.145	2	Screw	
48	163.013	2	Washer, plain	
49	172.080	3	Spire nut	
50	162.912	3	Screw	
51	163.013	3	Washer, plain	
52	162.913	8	Screw	
53	163.013	8	Washer, plain	
54	172.398	8	Plate, retaining	
55	161.360	8	Spire nut	
65	133.888	A/R	Wiring clip	
66	135.468	1	Bracket, outer side	
67	135.469	1	Bracket, inner side	
74	132.215	1	Battery box	
83	132.546	1	RH Lower repair panel	
	132.547	1	LH Lower repair panel	
88	135.482	2	Bracket, bonnet adjustment	
89	135.003	2	Locating plate	
90	162.914	4	Screw	
91	164.023	4	Washer, spring	
92	163.034	4	Washer, plain	
93	161.369	4	Nut	
103	132.469	1	RH Repair panel, inner wing	MKIV, 1500
	132.470	1	LH Repair panel, inner wing	MKIV, 1500

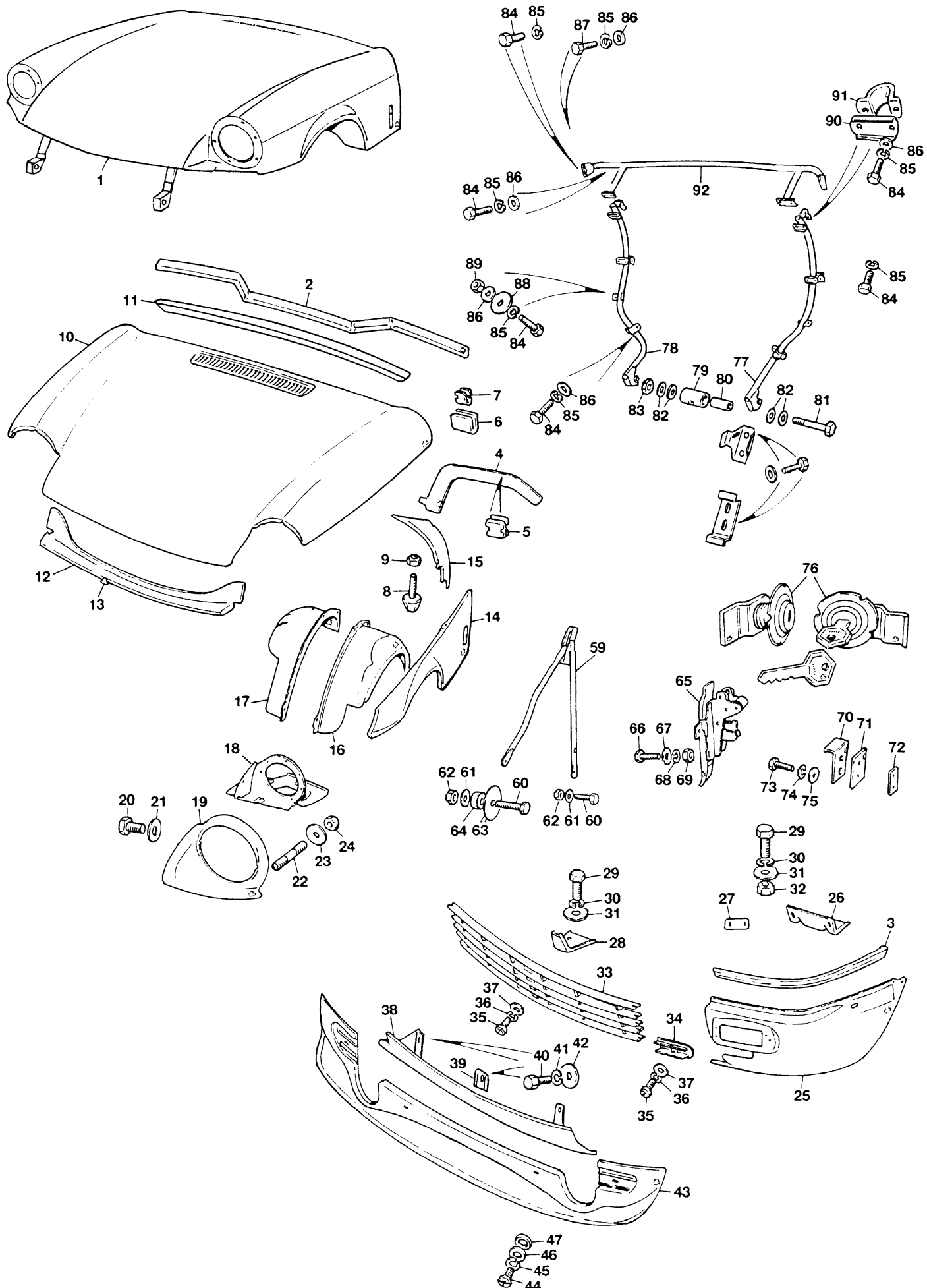


Bonnet and grill: Spitfire MKI, II, III



ILL N°	PART N°	QTY	DESCRIPTION	APPLICATION
1	130.059	1	Bonnet assembly	MKI, II
2	130.060	1	Bonnet assembly	MKIII
3	130.063	1	Central panel	MKI, II
	130.064	1	Central panel	MKIII
4	134.391	1	Reinforcement, central panel	
5	131.112	1	RH Front wing	
	131.113	1	LH Front wing	
6	132.896	1	RH Outer wheel arch	
	132.897	1	LH Outer wheel arch	
7	132.898	1	RH Inner wheel arch	
	132.899	1	LH Inner wheel arch	
8	135.528	1	RH Support, central panel	
	135.529	1	LH Support, central panel	
9	132.900	1	RH Reinforcement	
	132.901	1	LH Reinforcement	
10	133.180	2	Pin, bonnet adjustment	
11	161.357	2	Nut	
12	121.214	1	Seal, bonnet to bulkhead	
13	141.102	2	Bonnet catch assembly	
14	162.914	6	Screw, catch fixing	
15	163.012	6	Washer, plain	
16	164.023	6	Washer, shake-proof	
17	161.369	6	Nut	
18	135.007	2	Catch plate	
19	135.499	2	Packing piece	
20	135.500	2	Tapping plate	
21	162.077	4	Screw	
22	164.007	4	Washer, shake-proof	
23	163.010	4	Washer, plain	
24	141.239	1	Pair bonnet locks, optional	
25	121.137	2	Seal, dust	
26	172.176	18	Clip, seal to bonnet	
27	134.361	1	Bonnet stay assembly. Made from polished stainless steel	
28	162.670	2	Bolt	
29	163.010	2	Washer, plain	
30	161.061	2	Nut, nyloc	
31	163.011	1	Washer, large	
32	163.167	1	Spacer	
33	134.386	1	RH Tube, bonnet hinge	MKI, II
	134.387	1	LH Tube, bonnet hinge	MKI, II
34	134.388	1	RH Tube, bonnet hinge	MKIII
	134.389	1	LH Tube, bonnet hinge	MKIII
35	134.390	1	Cross tube	
36	122.267	2	Packing piece, tube/bonnet	
37	161.019	2	Nut	
38	164.012	2	Washer, spring	
39	163.011	2	Washer, plain	
40	162.077	16	Screw, tube fixing	
41	164.012	16	Washer, spring	
42	163.011	20	Washer, plain	
43	161.019	12	Nut	
44	135.502	4	Plate	
45	135.501	4	Bracket, tube/wheel arch	
46	135.503	1	RH Rim, lamp	
	135.504	1	LH Rim, lamp	
47	135.505	1	RH Grill closing panel	
	135.506	1	LH Grill closing panel	
48	132.421	1	RH Filler panel	
	132.422	1	LH Filler panel	
49	135.507	1	RH Nose panel	MKI, II
	135.508	1	LH Nose panel	MKI, II
50	135.516	1	RH Plinth	MKII ->> MKIII look
	135.517	1	LH Plinth	MKII ->> MKIII look
51	132.423	1	RH Nose panel	MKIII
	132.424	1	LH Nose panel	MKIII
52	135.518	1	RH Gusset, grill	MKIII
	135.519	1	LH Gusset, grill	MKIII

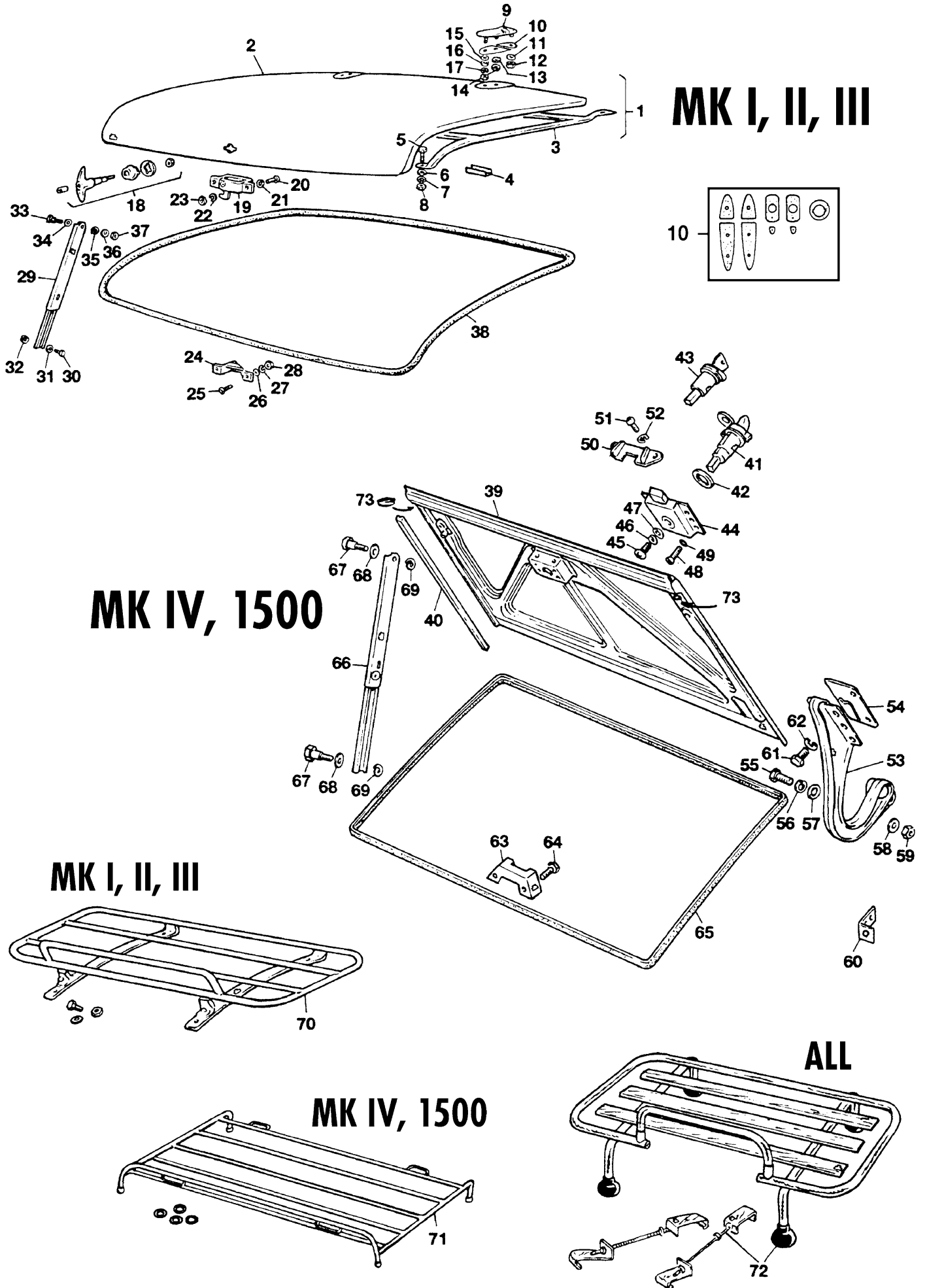
ILL N°	PART N°	QTY	DESCRIPTION	APPLICATION
53	132.903	2	Grill piece	MKI
	132.904	2	Grill piece	MKII
54	162.051	8	Screw	MKI, II
55	163.013	8	Washer, plain	MKI, II
56	161.392	8	Nut on clip	MKI, II
57	132.902	1	Panel, grill surround	MKI, II
58	131.721	1	Front valance panel	MKI, II
59	121.366	2	Seal, valance to bonnet	MKI, II
60	135.514	1	RH Outer bracket	MKI, II
	135.515	1	LH Outer bracket	MKI, II
61	135.512	1	RH Inner bracket	MKI, II
	135.513	1	LH Inner bracket	MKI, II
62	162.454	10	Screw, valance fixing	MKI, II
63	164.012	10	Washer, spring	MKI, II
64	163.010	6	Washer, plain	MKI, II
	163.011	4	Washer, plain-large	MKI, II
65	161.019	2	Nut	MKI, II
66	162.124	2	Bolt, tube to bracket	MKI, II
67	163.005	8	Washer, intermediate	MKI, II
68	135.509	2	Tube, distance	MKI, II
69	161.337	2	Nut, nyloc 3/8"	MKI, II
70	135.510	2	Bracket, pivot	MKI, II
71	162.041	4	Bolt	MKI, II
72	163.008	8	Washer, plain	MKI, II
73	135.511	4	Tube, distance	MKI, II
74	161.330	4	Nut, nylock	MKI, II
75	140.296	1	Grill, aluminium	MKIII
	140.297	1	Grill, aluminium-black	MKIII
	132.407	1	Grill, plastic-black	MKIII
76	162.060	8	Screw, grill	MKIII
77	163.013	8	Washer, plain	MKIII
78	161.392	8	Nut on clip	MKIII
79	132.820	1	Bottom channel	MKIII
80	135.520	1	Central strut	MKIII
81	135.524	1	RH Bracket	MKIII
	135.525	1	LH Bracket	MKIII
82	131.722	1	Front valance, metal	MKIII
	131.190	1	Front valance, fibre glass	MKIII
83	121.366	2	Seal, valance to bonnet	MKIII
84	135.514	1	RH Outer bracket	MKIII
	135.515	1	LH Outer bracket	MKIII
85	135.526	1	RH Inner bracket	MKIII
	135.527	1	LH Inner bracket	MKIII
86	162.454	10	Screw, valance fixing	MKIII
87	164.012	10	Washer, spring	MKIII
88	163.011	4	Washer, plain, large	MKIII
	163.010	6	Washer, plain	MKIII
89	161.019	4	Nut	MKIII
90	162.675	2	Bolt, tube to bracket	MKIII
91	163.005	8	Washer, intermediate	MKIII
92	135.523	2	Spacer	MKIII
93	161.337	2	Nut, nylock	MKIII
94	135.521	2	Bracket, pivot	MKIII
95	162.041	4	Bolt	MKIII
96	163.008	8	Washer, plain	MKIII
97	135.522	4	Distance tube	MKIII
98	161.330	4	Nut, nylock	MKIII
99	134.262	2	Front wing finisher, polished stainless steel	MKI, II, III
100	172.164	24	Clip, as illustrated	
	172.165	4	Clip, half size	
101	141.466	1	Bonnet badge	MKI, II
102	172.033	2	Clip, bonnet badge	MKI, II
103	172.033	32	Clip, metal	
104	152.116	32	Blind fix, plastic	
105	141.103	2	'TRIUMPH' Letterset	MKI, II, III

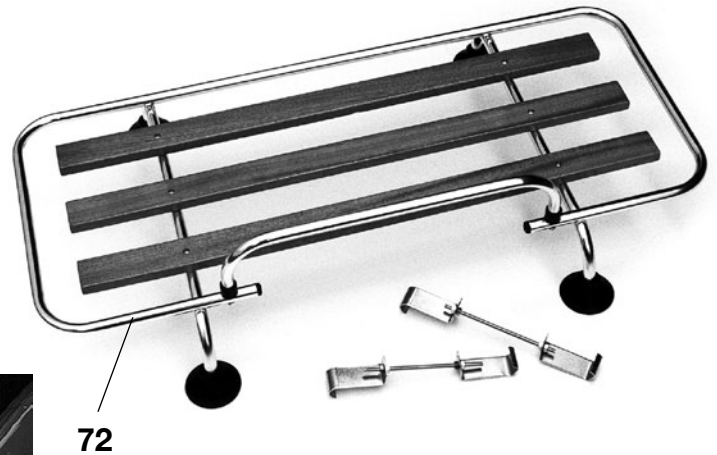




ILL N°	PART N°	QTY	DESCRIPTION	APPLICATION
1	130.008	1	Bonnet assembly	
2	121.214	1	Seal, bonnet rest	
3	121.136	2	Seal, valance to bonnet	
4	121.137	2	Seal, wheel arch	
5	172.176	18	Clip, seal	
6	122.269	2	Bump stop	
7	172.503	2	Clip, bump stop	
8	133.180	2	Bonnet location peg	
9	161.357	2	Nut	
10	131.211	1	Central panel	
11	134.392	1	Reinforcement rail	
12	131.212	1	Front return panel	
13	133.888	A/R	Clip, wiring	
14	131.114	1	RH Front wing	
	131.115	1	LH Front wing	
15	132.209	1	RH Reinforcement panel	
	132.210	1	LH Reinforcement panel	
16	132.213	1	RH Outer wheel arch	
	132.214	1	LH Outer wheel arch	
17	132.211	1	RH Inner wheel arch	
	132.212	1	LH Inner wheel arch	
18	132.207	1	RH Lamp mounting panel	
	132.208	1	LH Lamp mounting panel	
19	132.115	1	RH Lamp rim	
	132.116	1	LH Lamp rim	
20	162.462	4	Screw, rim fixing	
21	163.010	4	Washer, plain	
22	167.030	2	Stud	
23	163.011	2	Washer, plain	
24	161.019	2	Nut	
25	132.113	1	RH Quarter valance, metal	
	132.114	1	LH Quarter valance, metal	
26	132.332	2	Bracket, valance, rear, large	
27	133.717	2	Bracket, valance, side, small	
28	133.718	1	Bracket, central	
29	162.029	10	Screw, 1/4"	
	162.045	4	Screw, 5/16"	
30	164.012	10	Washer, spring 1/4"	
	164.002	4	Washer, spring 5/16"	
31	163.011	10	Washer, plain 1/4"	
	163.008	4	Washer, plain 5/16"	
32	161.002	4	Nut, 5/16"	
33	132.223	1	Grill	
34	135.535	1	RH Outer grill	
	135.536	1	LH Outer grill	
35	162.060	3	Screw	
36	164.015	3	Washer, spring	
37	163.013	3	Washer, plain	
38	132.907	1	Front valance, metal	MKIV to FH60000-FM10000U

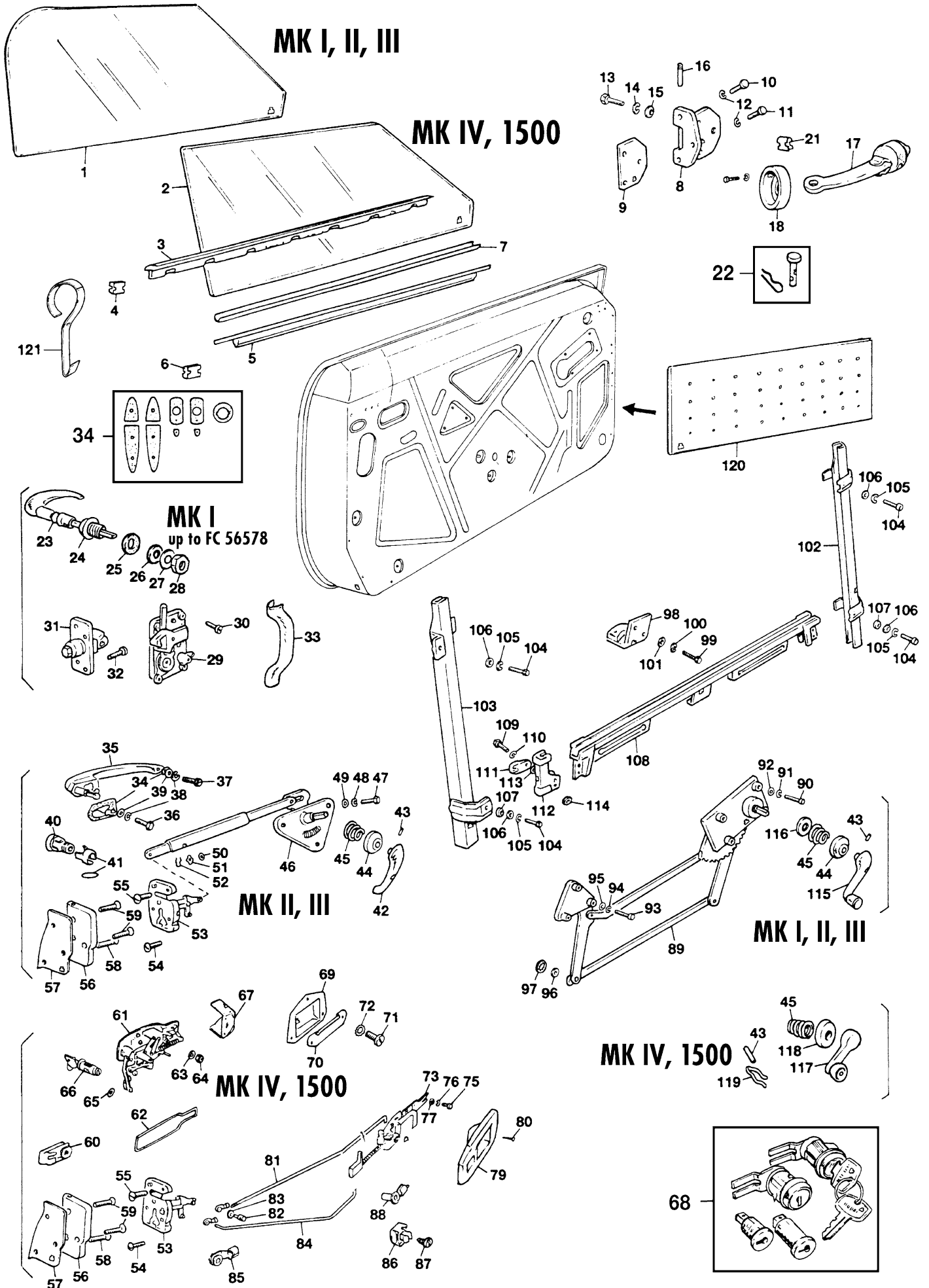
ILL N°	PART N°	QTY	DESCRIPTION	APPLICATION
39	135.534	1	Central bracket	
40	162.029	4	Screw	
41	164.012	4	Washer, spring	
42	163.011	4	Washer, plain	
43	131.215	1	Front valance black plastic	late MKIV & 1500 from FH60001 - FM10001U
44	162.140	2	Screw, central 3/16"	
	162.123	2	Screw, side 1/4"	
45	164.015	2	Washer, spring 3/16"	
	164.012	2	Washer, spring 1/4"	
46	163.007	2	Washer, plain 3/16"	
	163.010	2	Washer, plain 1/4"	
47	163.142	2	Washer, spacer, side	
58	163.138	4	Washer, plain	
59	134.361	1	Bonnet stay, made from polished stainless steel	
60	162.670	2	Screw	
61	163.010	2	Washer, plain, small	
62	161.061	2	Nut, nylock	
63	163.168	1	Washer, large	
64	163.167	1	Spacer	
65	141.102	2	Bonnet catch	
66	162.914	6	Screw	
67	163.012	6	Washer, plain	
68	164.023	6	Washer, spring	
69	161.369	6	Nut	
70	135.007	2	Hook	
71	135.499	2	Packing piece	
72	135.500	2	Plate, tapping	
73	162.077	4	Screw	
74	164.007	4	Washer, shake-proof	
75	163.010	4	Washer, plain	
76	141.239	1	Pair bonnet locks	
77	132.807	1	RH Tube, hinge	
78	132.808	1	LH Tube, hinge	
79	133.861	2	Bush, welded in tube end	
80	133.931	2	Bush, spacer	
81	162.124	2	Bolt, bonnet hinge/chassis	
82	163.005	8	Washer, plain	
83	161.337	2	Nut, nylon lock	
84	162.077	30	Screw 1/4"UNF x 3/4"	
85	164.012	34	Washer, spring	
86	163.010	22	Washer, spring	
87	162.029	4	Screw 1/4"UNF x 5/8"	
88	163.011	2	Washer, plain, large	
89	161.061	2	Nut, nyloc	
90	135.502	4	Plate	
91	135.501	4	Clamp	
92	131.725	1	Tube, cross	





ILL N°	PART N°	QTY	DESCRIPTION	APPLICATION
1	131.728	1	Boot lid assembly	MKI, II, III
2	131.104	1	Boot lid skin	
3	131.729	1	Frame, boot lid	
4	122.267	6	Packing	
5	162.670	2	Bolt	
6	163.010	2	Washer, plain	
7	164.012	2	Washer spring	
8	161.019	2	Nut	
9	141.101	1	Pair boot lid hinges	
10	016.411	1	Gasket set: hinges, boot lock and MKIII door handles	
11	163.008	2	Washer, plain	
12	161.012	2	Nut, nyloc	
13	164.012	2	Washer, spring	
14	161.019	4	Nut	
15	163.010	2	Washer, plain	
16	163.142	2	Washer, distance	
17	164.012	2	Washer, spring	
18	141.087	1	Handle, boot lid	
19	133.495	1	Lock	
20	162.060	2	Screw, lock	
21	163.013	2	Washer, plain	
22	164.015	2	Washer, spring	
23	161.024	2	Nut	
24	133.658	1	Plate catch	
25	162.060	2	Screw	
26	163.013	2	Washer, plain	
27	164.015	2	Washer, spring	
28	161.024	2	Nut	
29	134.204	1	Boot lid stay	
30	162.652	1	Screw, shouldered	
31	163.001	1	Washer, plain	
32	164.030	1	Washer, double spring	
33	162.918	1	Screw & spacer	
34	163.010	1	Washer, plain	
35	164.030	1	Washer, double spring	
36	163.010	1	Washer, plain	
37	161.061	1	Nut, nyloc	

ILL N°	PART N°	QTY	DESCRIPTION	APPLICATION
38	121.068	1	Seal, boot lid	
39	131.106	1	Boot lid	MKIV, 1500
40	121.367	2	Seal, side	Germany only
41	141.079	1	Boot lock	
42	016.391	1	Gasket	
43	141.079	1	Boot lock	Germany only
44	133.183	1	Lock	
45	162.060	1	Screw	
46	164.017	1	Double spring washer	
47	163.013	1	Washer, plain	
48	162.059	4	Screw	
49	164.069	4	Washer, spring	
50	135.538	1	Guide, lock	
51	162.139	2	Screw	
52	164.015	2	Washer, spring	
53	133.859	1	RH Boot hinge	
	133.860	1	LH Boot hinge	
54	135.308	A/R	Packing	
55	162.020	4	Screw	
56	164.030	4	Double spring	
57	163.001	4	Washer, plain	
58	163.001	4	Washer, plain	
59	161.002	4	Nut	MKIV
60	135.496	1	Clip, boot lamp switch	1500
61	162.045	6	Screw	
62	164.002	6	Washer, spring	
63	133.730	1	Catch, boot lock	
64	162.920	2	Screw	
65	121.069	1	Seal, boot lid	
66	134.204	1	Boot lid stay	
67	162.652	2	Bolt, shouldered	
68	163.005	2	Washer, plain	
69	164.044	2	Double spring washer	
70	140.304	1	Luggage rack	MKI, II, III
71	140.209	1	Luggage rack	MKIV, 1500
72	140.066	1	Universal luggage rack Clamps on without drilling holes.	
73	122.303	2	Rubber grommet, boot lid corner	(FH G222710N)



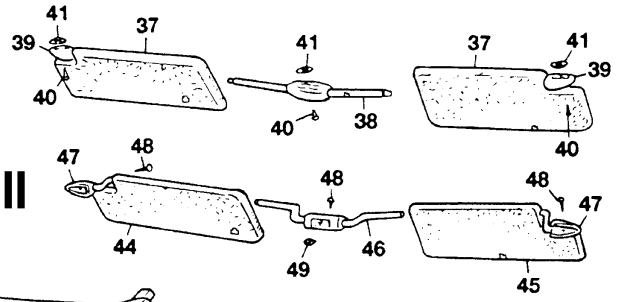


ILL N°	PART N°	QTY	DESCRIPTION	APPLICATION
1	120.035	2	Door glass	MKI, II, III
2	120.036	2	Door glass	MKIV, 1500
3	121.066	2	Outer weather strip	
4	172.087	14	Clip, outer weather strip	
5	150.052	2	Inner weather strip	
6	172.088	10	Clip, inner weather strip	
7	121.284	2	Seal, glass into channel	
8	133.858	4	Hinge	
9	133.847	4	Gasket	
10	162.525	8	Screw, hinge to door	
11	162.143	4	Screw, hinge to door	
12	164.002	12	Washer, spring	
13	162.525	12	Screw, hinge to 'A' post	
14	164.002	12	Washer, spring	
15	133.847	4	Washer, plain	MKI, II, III
16	133.714	A/R	Pin, hinge	
17	133.397	2	Door check strap	
18	122.066	2	Seal, door check arm	
21	172.087	4	Clip, seal fixing	
22	172.189	2	Kit, clivis pin	
23	141.590	1	LH Door handle, locking	MKI, II to FC56578
	141.591	1	RH Door handle	MKI, II to FC56578
24	141.594	1	RH Escutcheon	MKI, II to FC56578
	141.595	1	LH Escutcheon	MKI, II to FC56578
25	016.410	2	Packing, fibre	MKI, II to FC56578
26	168.156	2	Washer, rubber	MKI, II to FC56578
27	163.170	2	Washer	MKI, II to FC56578
28	161.498	2	Nut, locking	MKI, II to FC56578
29	135.541	1	RH Door lock	MKI, II to FC56578
	135.542	1	LH Door lock	MKI, II to FC56578
30	162.922	8	Screw, lock to door	MKI, II to FC56578
31	141.599	2	Striker, 'B' post	MKI, II to FC56578
32	162.923	4	Screw, striker 'B' post	MKI, II to FC56578
33	141.600	2	Finisher clamp, door panel	MKI, II to FC56578
34	016.411	1	Gasket set: Boot hinge, boot & door handle	
35	141.055	2	Door handle	MKII, II from FC56579
36	162.051	2	Screw	
37	162.822	2	Screw	
38	164.015	4	Washer, spring	
39	163.013	4	Washer, plain	
40	141.347	1	Pair door locks, improved type with threaded body & nut fixing	
	141.093	1	Pair door locks, standard with clip fixing	
41	172.206	2	Clip, for standard lock	
	122.182	2	'O' Ring, lock to door	
42	141.086	2	Handle, inside	
43	172.215	4	Pin	
44	141.454	4	Escutcheon	
45	171.022	4	Spring	
46	132.912	1	RH Remote control	MKI, II to FC56578
	132.913	1	LH Remote control	MKI, II to FC56578
	132.914	1	RH Remote control	MKII, III from FC56579
	132.915	1	LH Remote control	MKII, III from FC56579
47	162.822	6	Screw	
48	164.015	6	Washer, spring	
49	163.013	6	Washer, plain	
50	163.010	4	Washer, plain	
51	164.051	2	Washer, waved	
52	172.313	2	Clip	
53	133.982	1	RH Door lock	
	133.983	1	LH Door lock	
54	162.595	2	Screw, short	
55	162.594	4	Screw, long	
56	133.387	1	RH Striker plate	
	133.388	1	LH Striker plate	
57	135.355	2	Packing/shim	
58	162.823	4	Screw, short	
59	162.595	2	Screw, long	
60	161.269	2	Nut on clip	
61	141.241	1	Pair door handles, chrome	MKIV or 1500
	141.242	1	RH Door handle, chrome	MKIV or 1500
61	141.243	1	LH Door handle, chrome	MKIV or 1500
	141.244	1	Pair Door handles, black	1500
	141.245	1	RH Door handle, black	1500
	141.246	1	LH Door handle, black	1500

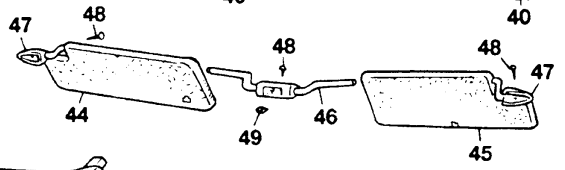
ILL N°	PART N°	QTY	DESCRIPTION	APPLICATION
62	133.390	2	Gasket	MKIV, 1500
63	163.013	4	Washer, plain	
64	161.047	4	Nut, nyloc	
65	172.574	2	Lock ring	
66	141.247	1	Pair barrel and keys	
67	135.350	2	Cover-clamp	
68	142.678	1	LOCK SET - MKI : incl. drivers door barrel, boot handle barrel, ignition switch barrel	up to FC656
	141.596	1	LOCK SET - MKI, II : incl. drivers door barrel, boot handle barrel, ignition switch barrel	up to FC56578
	141.597	1	LOCK SET - MKII, III : incl. pair door locks, door handle barrel, ignition switch barrel	from FC56579
69	141.460	2	Escutcheon	MKIV, 1500
70	141.459	2	Finger pull	MKIV, 1500
71	162.717	6	Screw	
72	162.717	6	Washer, shake-proof	
73	141.077	1	RH Door handle	
	141.078	1	LH Door handle	
75	162.076	8	Screw	
76	164.012	8	Washer, spring	
77	163.010	8	Washer, plain	
79	141.248	1	RH Bezel	
	141.249	1	LH Bezel	
80	162.117	2	Screw	
81	134.401	2	Adjustable rod, lock	
82	172.576	2	Pin for rod	
83	163.113	2	Washer, plain	
84	134.402	1	RH Remote control rod	
	134.403	1	LH Remote control rod	
85	172.191	4	Clip and bush	
86	172.577	4	Rod guide, clips	
87	162.145	4	Screw	
88	172.542	2	Clip and bush, rod	
89	132.910	1	RH Regulator	MKI, II, III
	132.911	1	LH Regulator	MKI, II, III
	132.419	1	RH Regulator	MKIV, 1500
	132.420	1	LH Regulator	MKIV, 1500
90	162.076	8	Screw	
91	164.012	8	Washer, spring	
92	163.081	8	Washer, plain	
93	162.076	6	Screw	
94	164.012	6	Washer, spring	
95	163.081	6	Washer, plain	
96	168.136	8	Washer, leather	
97	172.190	4	Clip	
98	135.539	2	Bracket, glass stop	
99	162.051	4	Screw	
100	164.015	4	Washer, spring	
101	163.013	4	Washer, plain	
102	134.395	1	RH Front channel	
	134.396	1	LH Front channel	
103	134.397	1	RH Rear channel	MKI, II to FC56578
	134.398	1	LH Rear channel	MKI, II to FC56578
	134.399	1	RH Rear channel	MKII->>1500 from FC56789
	134.400	1	LH Rear channel	MKII->>1500 from FC56789
104	162.029	8	Screw	
105	164.012	8	Washer, spring	
106	163.103	8	Washer, plain	
107	163.011	4	Washer, large	
108	132.219	1	RH Channel, glass	metal part only
	132.220	1	LH Channel, glass	metal part only
109	162.921	8	Screw	
110	164.012	8	Washer, spring	
111	135.540	4	Block-spacing, nylon	
112	135.360	4	Guide block, nylon	
113	163.010	4	Washer, plain	
114	161.362	4	Nut	
115	141.085	2	Handle, window regulator	MKI, II, III
116	135.226	2	Washer, rubber	
117	141.076	2	Handle, window regulator	MKIV, 1500
118	141.303	2	Escutcheon, black	MKIV, 1500
119	172.575	2	Cir-clip	
120	150.836	2	Sound deadening panel	66x15 cm
121	200.708	1	Tool, clip fixing	



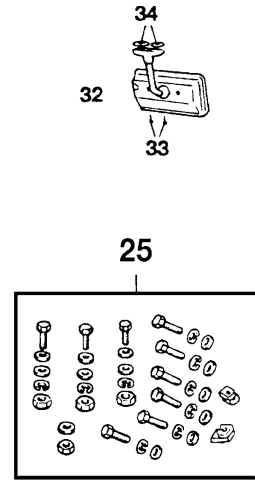
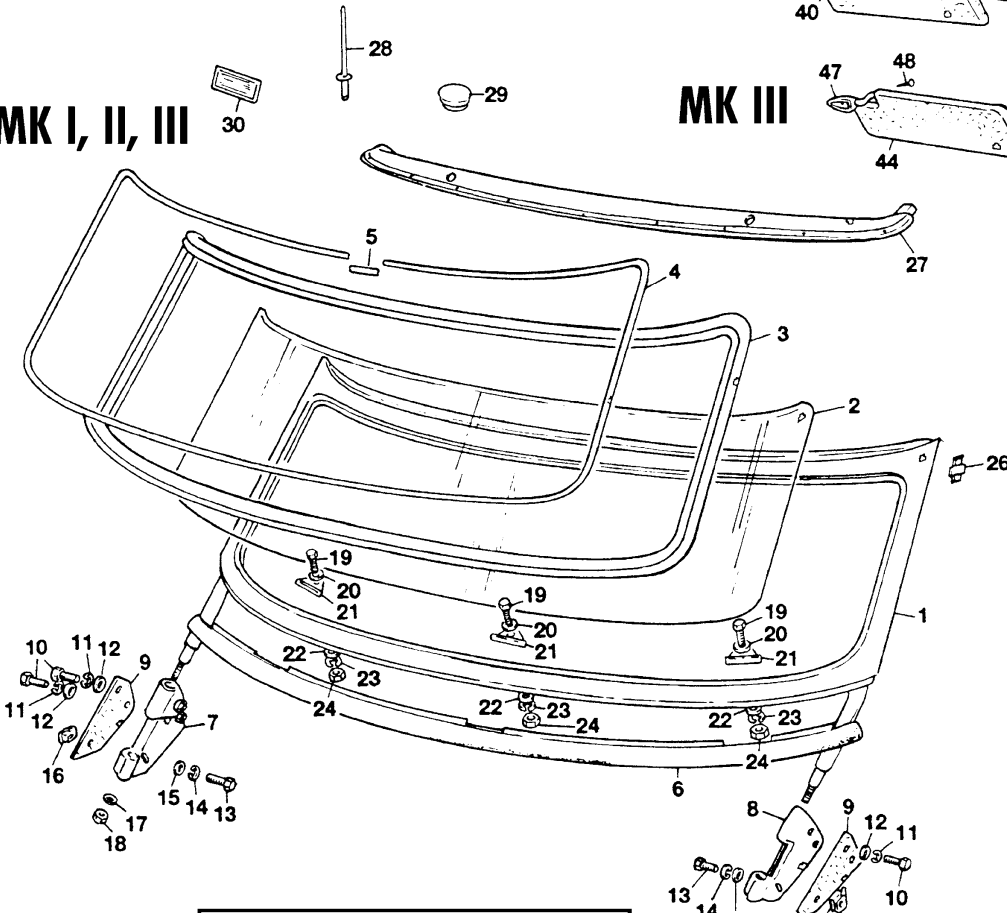
MK I, II



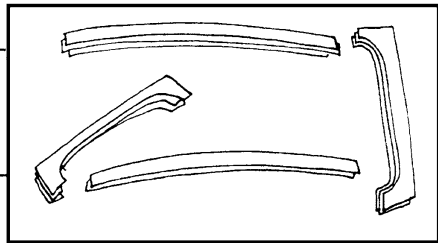
MK III



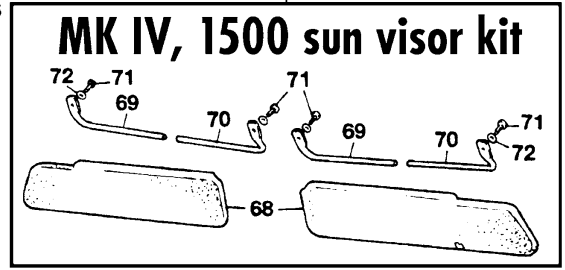
MK I, II, III



MK I, III

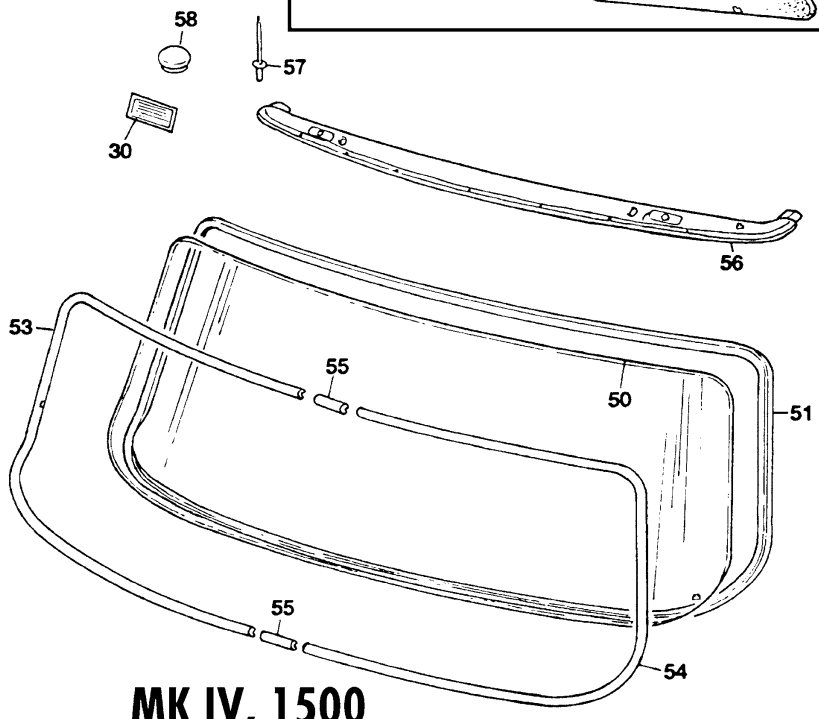
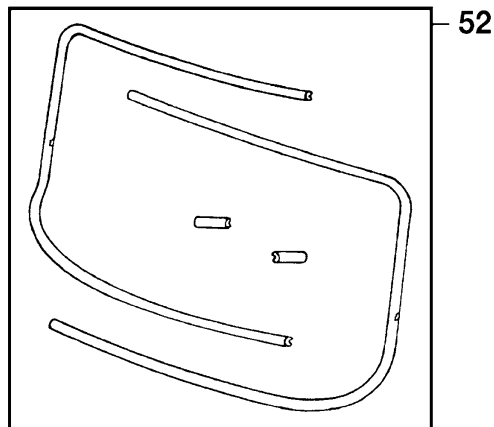
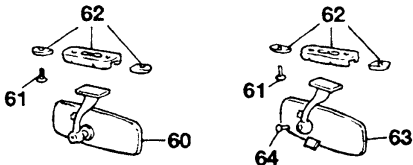


MK IV, 1500

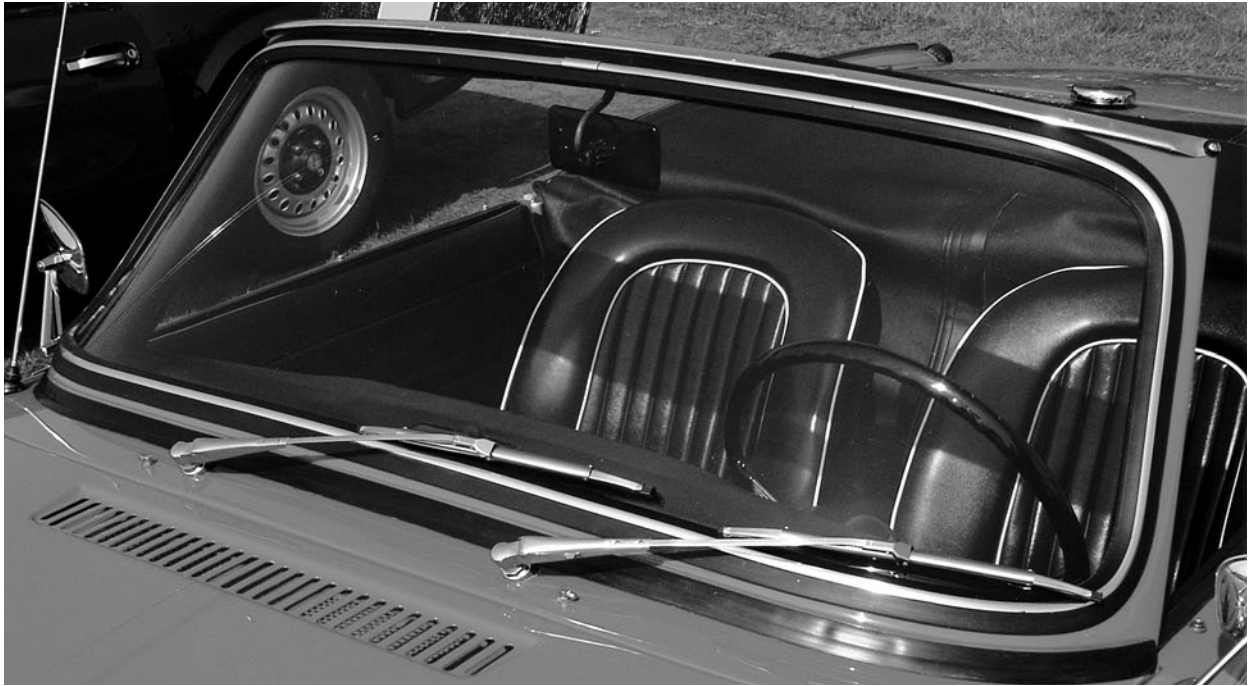


Non dipping

Dipping



MK IV, 1500

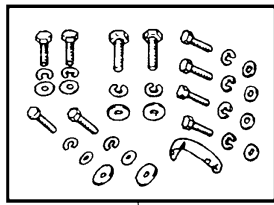


ILL N°	PART N°	QTY	DESCRIPTION	APPLICATION
MKI - II - III				
1	131.287	1	Windscreen frame	
2	120.037	1	Windscreen glass, clear	
	120.053	1	Windscreen glass, tinted	
3	121.133	1	Glazing rubber	
4	121.134	1	Finisher, strip	
5	133.392	1	Clip, finisher	
6	121.135	1	Seal, frame to body	
7	133.493	1	RH Bracket	
8	133.494	1	LH Bracket	
9	133.492	2	Packing, fibre	
10	162.670	4	Bolt	
11	164.012	4	Washer, spring	
12	163.011	4	Washer, plain	
13	162.208	2	Bolt	
14	164.012	2	Washer, spring	
15	133.939	2	Washer, spacer	
16	161.269	2	Nut on clip	
17	163.103	2	Washer, plain	
18	161.330	2	Nut, nyloc	
19	162.426	3	Bolt, domed head, chrome	
20	163.139	3	Washer, plain, chrome	
21	141.333	3	Bracket, screen fixing	
22	163.103	3	Washer, plain	
23	164.002	3	Washer, spring	
24	161.330	3	Nut, nyloc	
25	135.547	1	Bolting kit: included are ill. N° 10 to 24	
26	172.384	2	Bracket, hood to frame	MKI, II
27	134.341	1	Capping, polished alu.	MKI, II
	140.139	1	Capping, polished alu.	MKIII
28	172.372	11	Rivet	
29	122.241	2	Plug, when hard top is not fitted	MKII, III
	122.009	2	Plug as above	MKI
30	085.080	1	Sticker "Triplex"	
31	150.914	1	Trimming kit, frame, interior side (4 pieces)	MKII, III
32	141.562	1	Interior mirror	MKI to FC16570
	141.601	1	Interior mirror	from FC16571 to MKIV
33	162.924	2	Screw for 141.562	
	162.925	2	Screw for 141.601	

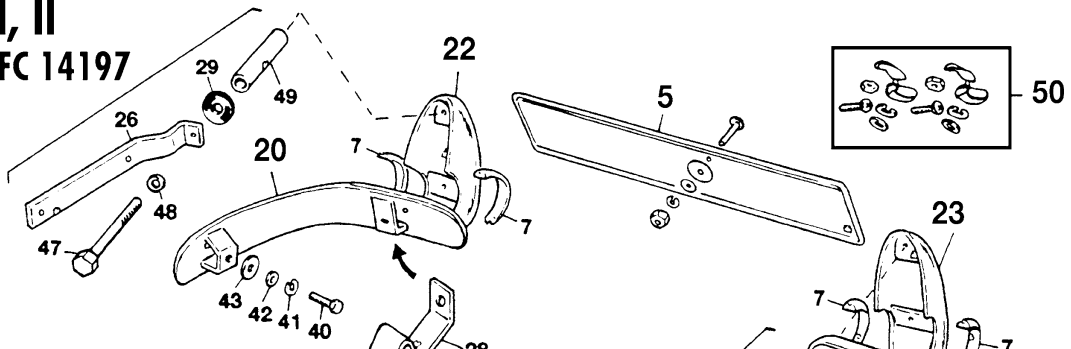
ILL N°	PART N°	QTY	DESCRIPTION	APPLICATION
34	161.315	2	Nut, fix	
37	150.966	2	Sun-visor, less mountings	MKI, II
38	135.034	1	Mounting, centre	MKI, II
39	135.164	2	Mounting, outer	MKI, II
40	162.741	3	Screw	
41	161.315	3	Nut, fix	
44	150.915	1	RH Sun Visor, less mounting	MKIII
45	150.916	1	LH Sun Visor, less mounting	MKIII
46	135.235	1	Mounting, centre	MKIII
47	135.548	2	Mounting, outer	MKIII
48	162.741	3	Screw	
49	161.315	3	Nut, fix	
MKIV - 1500				
50	120.033	1	Windscreen glass, clear	
	120.040	1	Windscreen glass, tinted	
51	121.132	1	Rubber, glazing	
52	140.295	1	Kit, Finishing strips	
53	140.093	1	RH Finisher strip	
54	140.094	1	LH Finisher strip	
55	133.391	2	Clip, finisher	
56	140.097	1	Capping, polished alu.	
57	172.372	9	Rivet	
58	122.241	2	Plug, when hard top is not fitted	
59	150.967	1	Trim kit, frame covers at interior side. (3 pieces)	
60	133.398	1	Mirror, non dipping	
61	162.827	2	Screw	
62	133.399	1	Mirror retainer parts	
63	141.304	1	Mirror, dipping type	
64	162.926	1	Screw, stem to mirror	
67	150.968	1	SUN VISOR KIT	
68	150.970	1	Sun visor, all black	
	150.971	1	RH Sun visor & mirror	
69	133.878	2	RH Mounting bar	
70	133.877	2	LH Mounting bar	
71	162.060	4	Screw	
72	163.013	4	Washer, plain	



MK I, II from FC 14197

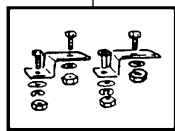


24

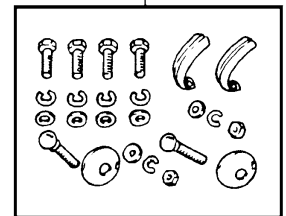
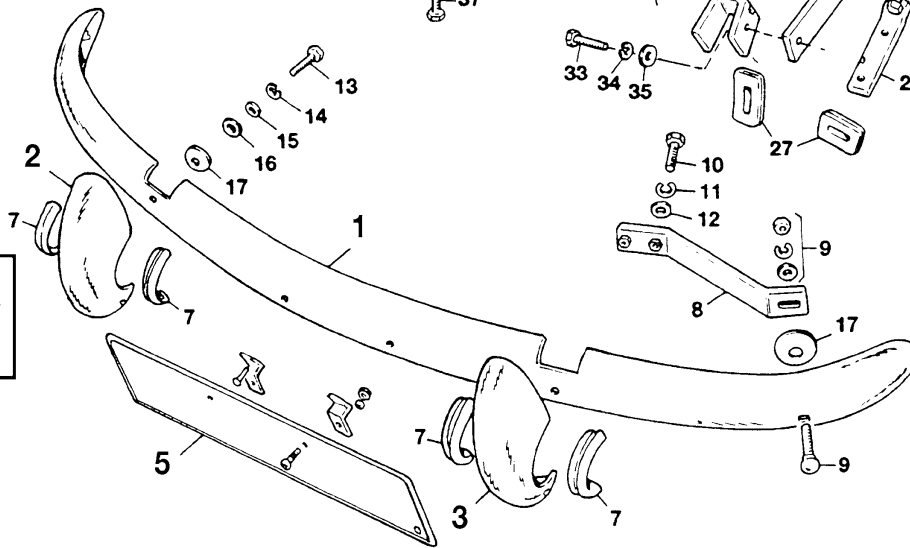


MK I, II

MK I up to FC 14196

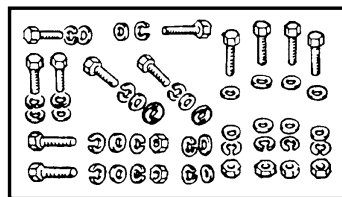


6

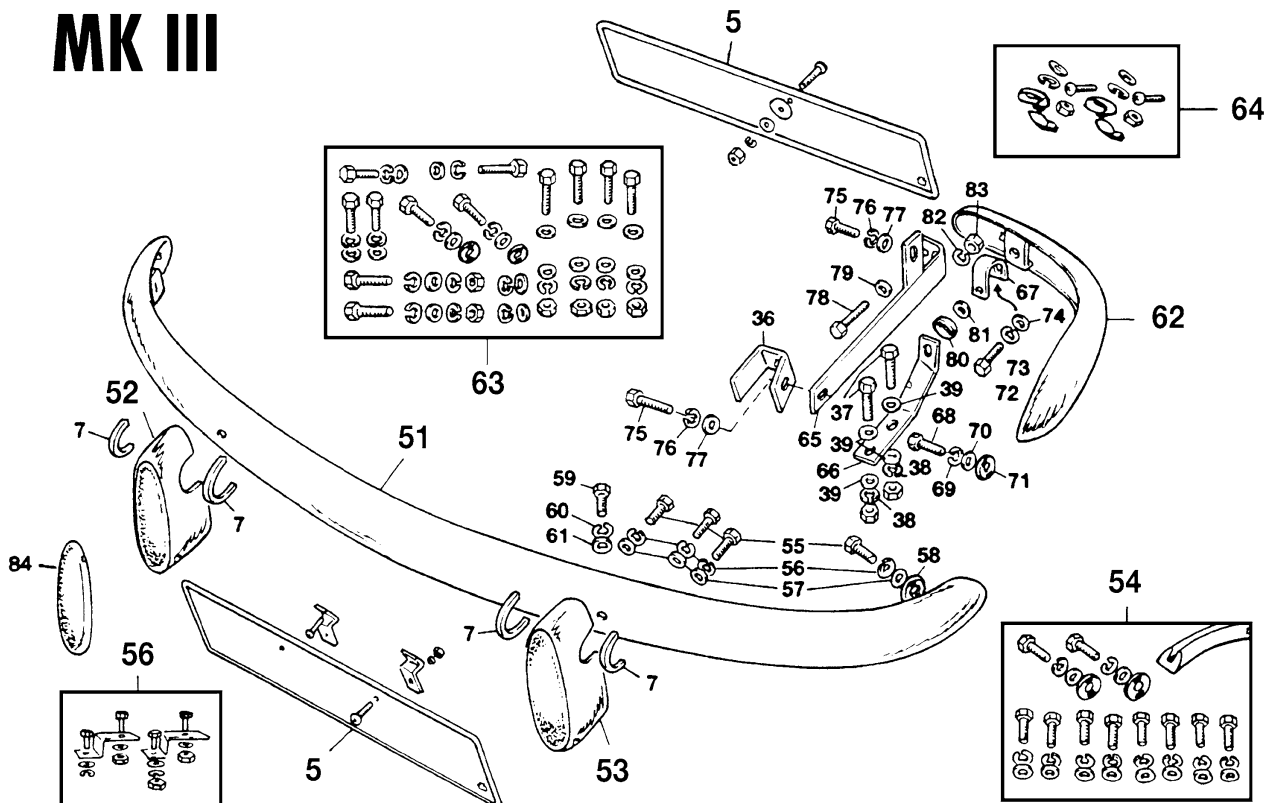


4

MK III



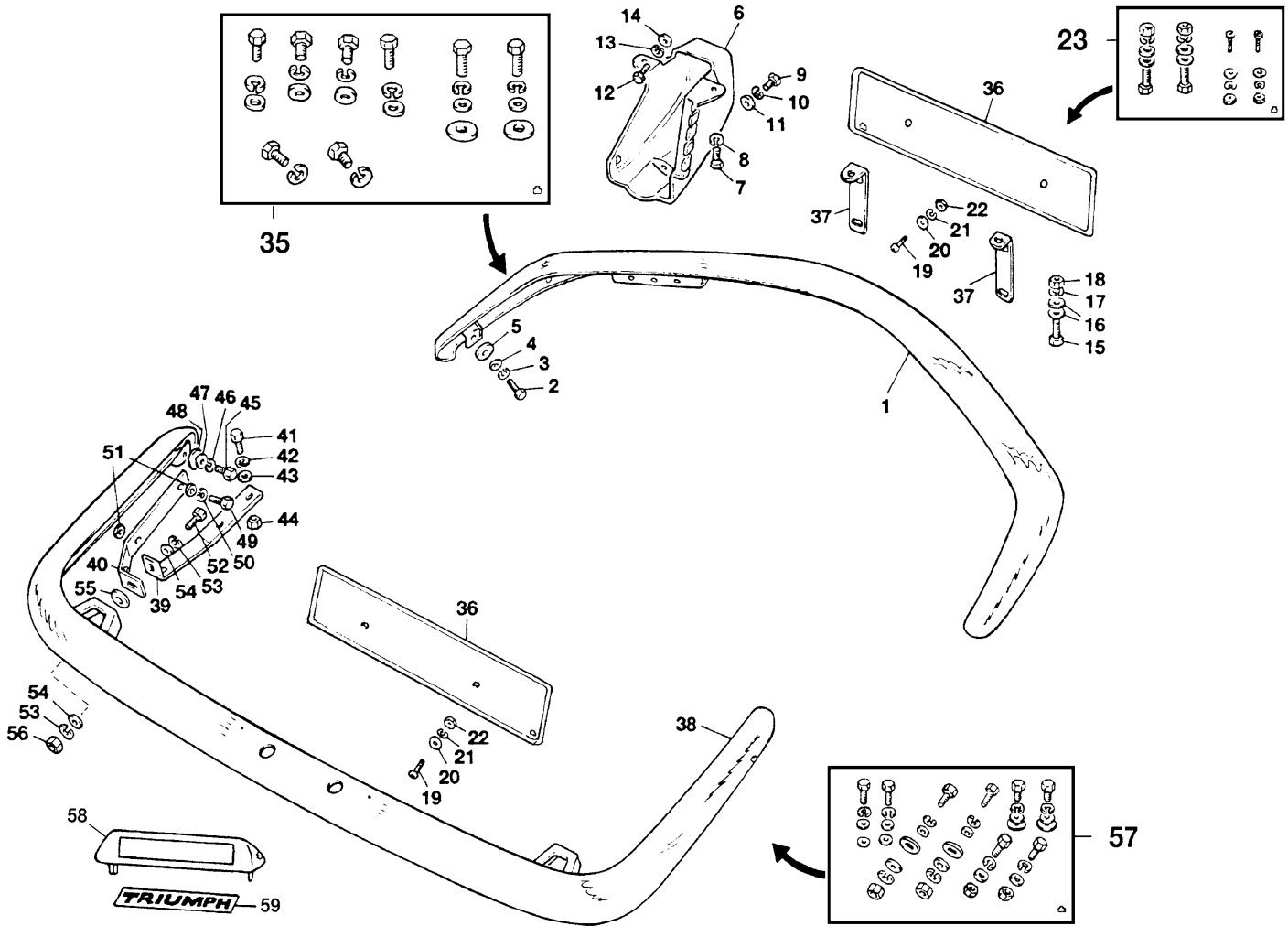
63





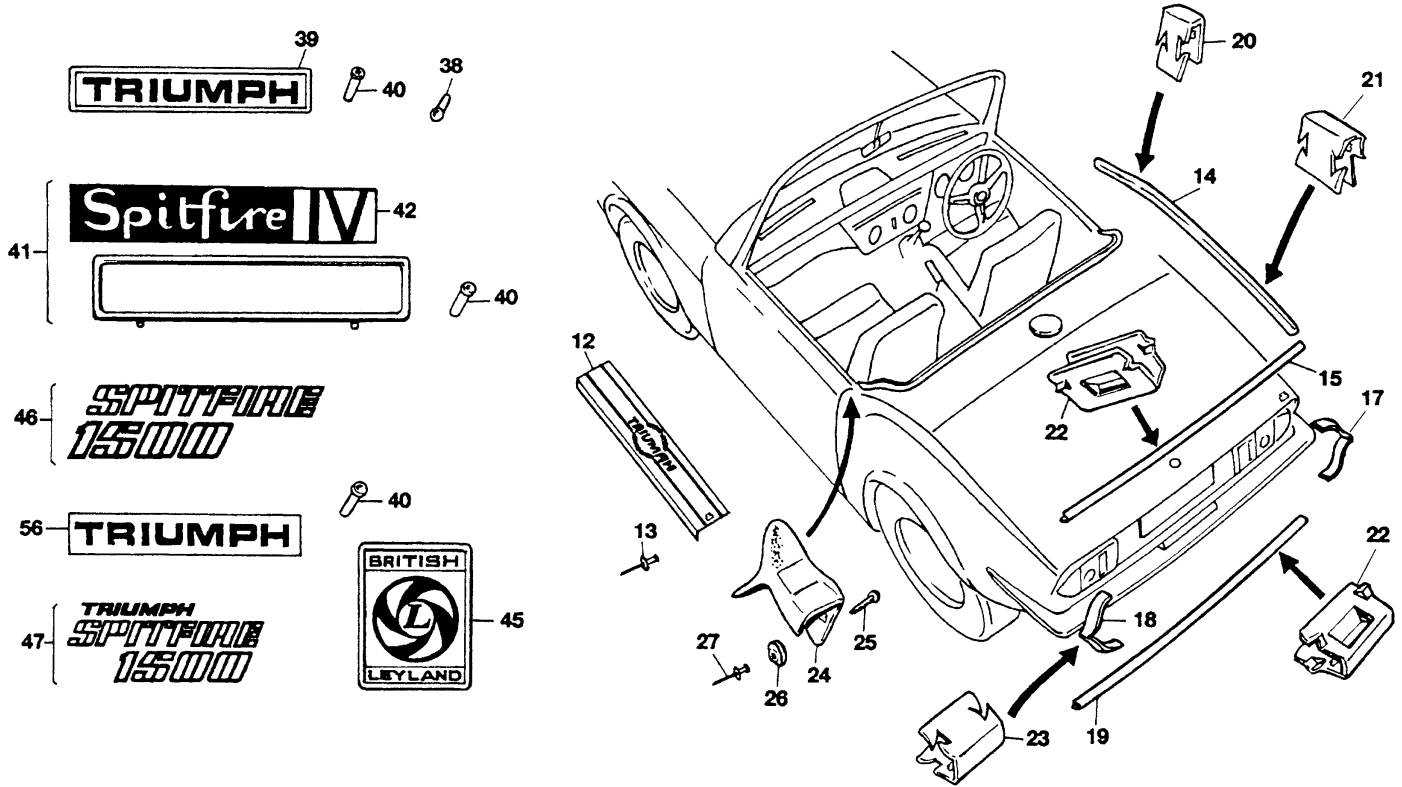
ILL N°	PART N°	QTY	DESCRIPTION	APPLICATION
MKI - II				
1	140.257	1	Front bumper	
2	140.264	1	RH Front over-rider	
3	140.265	1	LH Front over-rider	
4	135.549	1	BOLTING KIT, front bumper	
5	132.046	2	Number plate holder, black	
	132.927	2	Number plate holder, polished stainless steel	
6	135.550	1	Fixing kit, front plate	
7	121.008	1	1 Meter strip, over-rider to bumper, cut to length	
8	132.916	2	Bracket, front	
9	162.067	2	Chrome bumper bolt with spring washer and nut	
10	162.022	4	Screw	
11	164.002	4	Washer, spring	
12	163.001	4	Washer, plain	
13	162.041	2	Bolt, over-rider to bumper	
14	164.002	2	Washer, spring	
15	163.001	2	Washer, small	
16	163.008	2	Washer, large	
17	133.889	4	Spacer, dish shape	
20	140.259	1	RH Rear bumper	
21	140.260	1	LH Rear bumper	
22	140.266	1	RH Over-rider	
23	140.267	1	LH Over-rider	
24	135.552	1	BOLTING KIT, rear bumpers	MKI up to FC14196
	135.553	1	BOLTING KIT, rear bumpers	MKI, II from FC14197
25	132.917	2	Lower bracket	MKI up to FC14196
26	132.919	2	Upper bracket	MKI up to FC14196
	132.920	2	Upper bracket	MKI from FC14197
27	122.272	4	Rubber, bracket/body	MKI up to FC14196
28	132.918	2	Lower bracket, under floor	MKI, II from FC14197
29	122.274	2	Rubber, upper tube/body	MKI, II from FC14197
30	162.073	2	Bolt, lower bracket to over-rider	MKI, II
31	164.002	2	Washer, spring	
32	163.008	2	Washer, plain	
33	162.072	4	Bolt, upper bracket to inner wing, side	
34	164.006	4	Washer, spring	
35	163.005	4	Washer, plain	
36	132.926	1	Bracket, jack clamping	
37	162.072	4	Bolt, bracket to floor	
38	164.006	4	Washer, spring	
39	163.005	4	Washer, plain	
40	162.005	2	Screw, bumper to rear wing	
41	164.002	2	Washer, spring	
42	163.008	2	Washer, plain, large	
43	168.154	2	Washer, rubber	
44	162.460	2	Bolt, over-rider, upper	MKI up to FC14196
45	164.002	2	Washer, spring	MKI up to FC14196

ILL N°	PART N°	QTY	DESCRIPTION	APPLICATION
46	163.008	2	Washer, plain	MKI up to FC14196
47	162.545	2	Long bolt, upper	MKI, II from FC14197
48	163.008	2	Washer, plain	MKI, II from FC14197
49	135.551	2	Distance tube, cut to required length	MKI, II from FC14197
50	135.554	1	Fixing kit, rear plate	
MKIII				
51	140.258	1	Front bumper	
52	140.299	1	RH Front over-rider	
53	140.300	1	LH Front over-rider	
54	135.555	1	BOLTING KIT, front bumper	
55	132.046	2	Number plate holder, black	
	132.927	2	Number plate holder, polished stainless steel	
56	135.550	1	Fixing kit, front plate	
55	162.005	6	Screw, bumper to body	
56	164.002	6	Washer, spring	
57	163.001	6	Washer, plain	
58	168.154	2	Washer, rubber	
59	162.072	2	Bolt, over-rider	
60	164.006	2	Washer, spring	
61	163.005	2	Washer, plain	
62	140.261	1	RH Rear bumper	
	140.262	1	LH Rear bumper	
63	135.556	1	BOLTING KIT, for rear bumpers & brackets	
64	135.554	1	Fixing kit, rear plate	
65	132.921	1	RH Side bracket	
	132.922	1	LH Side bracket	
66	132.923	1	RH Lower bracket	
	132.924	1	LH Lower bracket	
67	132.925	2	Spring bracket	
68	162.005	2	Screw, bumper to wing	
69	164.002	2	Washer, spring	
70	163.008	2	Washer, plain	
71	168.154	2	Washer, rubber	
72	162.460	2	Screw, spring bracket to rear bumper, rear	
73	164.002	2	Washer, spring	
74	163.001	2	Washer, plain	
75	162.577	4	Screw, side bracket to inner wing	
76	164.006	4	Washer, spring	
77	163.005	4	Washer, plain	
78	162.696	2	Long screw, holding side & lower brackets to spring bracket, through rear valance	
79	163.005	2	Washer, plain	
80	168.154	2	Washer, rubber	
81	163.005	2	Washer, plain	
82	164.006	2	Washer, spring	
83	161.026	2	Nut	
84	121.368	2	Buffer rubber	



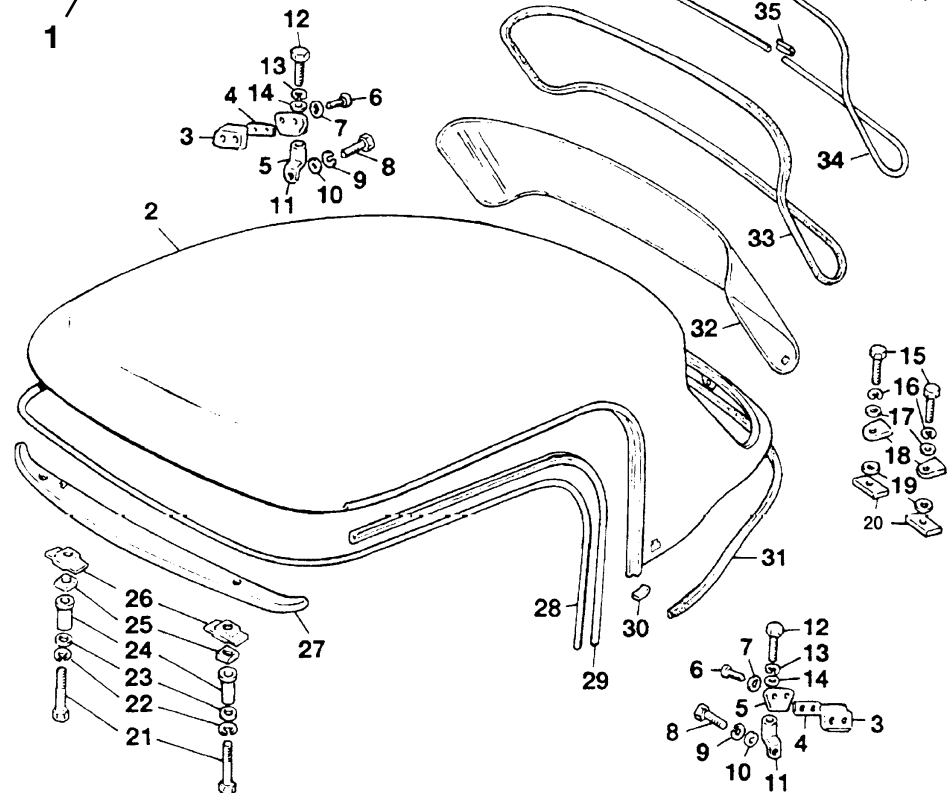
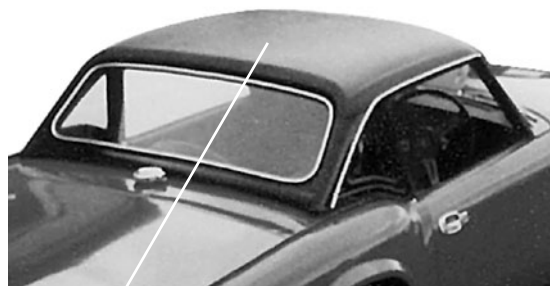
ILL N°	PART N°	QTY	DESCRIPTION
1	140.095	1	FRONT BUMPER
2	162.211	2	Screw, bumper to quarter valance
3	164.006	2	Washer, spring
4	163.005	2	Washer, plain
5	122.209	2	Gasket
6	136.410	1	Pair buffers, plastic
7	162.065	2	Screw, upper
8	164.012	2	Washer, spring
9	162.029	2	Screw, lower
10	164.012	2	Washer, spring
11	163.011	4	Washer, plain
12	162.072	2	Screw
13	164.006	2	Washer, spring
14	163.005	2	Washer, plain
15	162.077	2	Screw, 1/4"
16	163.010	2	Washer, plain
17	164.012	2	Washer, spring
18	161.019	2	Nut
19	162.123	2	Screw
20	163.011	2	Washer, plain
21	164.012	2	Washer, spring
22	161.019	2	Nut
23	135.557	1	Bolting kit, number plate
35	135.559	1	COMPLETE BOLTING KIT, front bumper fixing
36	132.046	2	Number plate, black
	132.927	2	Number plate, polished stainless steel

ILL N°	PART N°	QTY	DESCRIPTION
37	133.567	2	Bracket for number plate
38	140.096	1	REAR BUMPER
	140.263	1	REAR BUMPER
39	132.813	1	RH Lower bracket
	132.815	1	LH Lower bracket
40	132.814	2	Upper bracket
41	162.072	4	Screw
42	164.006	4	Washer, spring
43	163.005	4	Washer, plain
44	161.026	4	Nut
45	162.005	2	Screw
46	164.002	2	Washer, spring
47	163.008	2	Washer, plain
48	122.209	A/R	Shim pad, 15mm
	122.212	A/R	Shim pad, 35mm
49	162.072	4	Screw
50	164.006	4	Washer, spring
51	163.005	4	Washer, plain
52	162.486	2	Screw
53	164.006	4	Washer, spring
54	163.005	4	Washer, plain
55	168.157	2	Rubber washer
56	161.026	2	Nut
57	135.560	1	COMPLETE BOLTING KIT, rear bumper fixing
58	141.603	1	Plinth, nameplate
59	141.604	1	Name plate "Triumph"



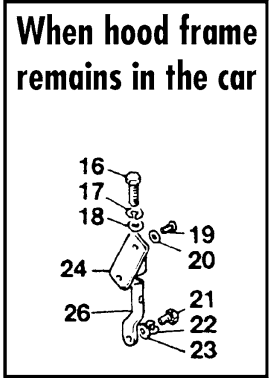
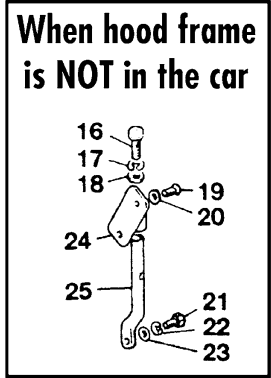
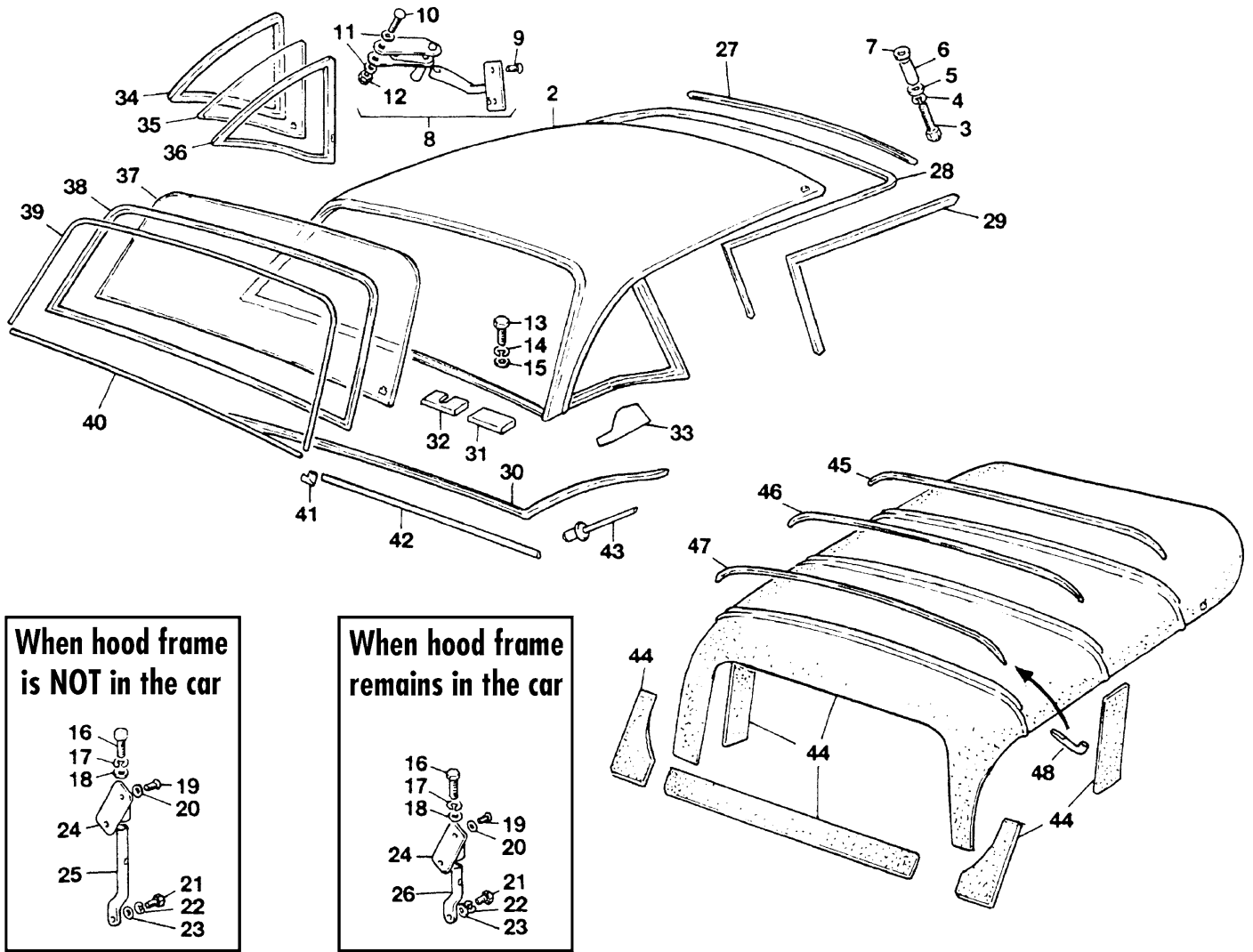
ILL N°	PART N°	QTY	DESCRIPTION	APPLICATION
12	185.095	1	One stainless steel door step + logo	
13	152.034	1	Rivet set	
14	134.264	2	Rear wing finisher strip, polished stainless steel	MKIV
	134.107	2	Rear wing finisher strip, black	1500
15	134.108	1	Boot lid finisher strip, polished stainless steel	MKIV
	134.109	1	Boot lid finisher strip, black	1500
17	132.225	1	RH Corner finisher, chrome	MKIV
	132.227	1	RH Corner finisher, black	1500
18	132.226	1	LH Corner finisher, chrome	MKIV
	132.228	1	LH Corner finisher, black	1500
19	134.110	1	Bottom finisher, polished stainless steel	MKIV
	134.111	1	Bottom finisher, black	1500
20	172.165	18	Clip, small, wing strips	
21	172.164	4	Clip, large, wing strips	
22	172.166	14	Clip, rear strips	
23	172.164	8	Clip, corner strip	
24	141.252	1	RH 'B' Post finisher	
	141.253	1	LH 'B' Post finisher	

ILL N°	PART N°	QTY	DESCRIPTION	APPLICATION
25	162.162	2	Screw	
26	152.095	2	Fastener stud, black plastic	
27	172.580	2	Rivet	
38	152.116	2	Blind fix, plastic	
39	141.403	1	Bonnet badge	MKIII late
40	152.116	2	Blind fix	
41	141.235	1	Bonnet badge assembly	'SPITFIRE IV'
	141.234	2	Rear wing badge assembly	'SPITFIRE IV'
42	085.273	1	Nameplate 'SPITFIRE IV'	to repair 141.235
	085.274	2	Nameplate 'SPITFIRE IV'	to repair 141.234
45	085.100	2	Leyland badge blue on silver	
	085.127	2	Leyland badge silver on blue	
46	141.072	1	Black decal, bonnet	1500
	141.074	1	Silver decal, bonnet	1500
47	141.073	1	Black decal, boot lid	1500
	141.075	1	Silver decal, boot lid	1500
56	141.581	1	N° plate lamp badge	MKIV, 1500 up to 1156000



ILL N°	PART N°	QTY	DESCRIPTION
1	130.067	1	Hard Top assembly original, used condition
	130.068	1	Hard Top assembly fibre glass reproduction
2	130.069	1	Hard top shell, metal
3	135.579	2	Retainer tapping plate
4	135.580	2	Tapping plate
5	135.582	2	Bracket, side
6	162.761	4	Screw
7	164.071	4	Washer, spring
8	162.426	2	Bolt, domed head, chrome
9	164.072	2	Washer, spring
10	163.179	2	Washer, plain, chrome
11	135.583	2	T Bar, bracket
12	162.426	2	Bolt, domed head, chrome
13	164.072	2	Washer, spring
14	163.179	2	Washer, plain
15	162.426	2	Bolt, domed head, chrome
16	164.072	2	Washer, spring
17	163.179	2	Washer, plain
18	135.584	2	Plate, hard top-body
19	122.209	2	Washer, rubber
20	135.585	2	Tapping plate
21	162.816	2	Bolt, domed head, chrome

ILL N°	PART N°	QTY	DESCRIPTION
22	164.072	2	Washer, spring
23	163.011	2	Washer, plain
24	133.514	2	Tube, distance
25	161.456	2	Square nut
26	161.457	2	Retainer
27	121.333	1	Sealing rubber, hard top to windscreen frame
28	121.369	1	Finisher strip, headlining
29	121.370	2	Rubber sealing, door glass
30	122.277	2	Pad, sealing, 'B' post
31	121.351	1	Seal, hard top to rear deck
32	120.088	1	Rear glass
33	121.372	1	Use part nr. 121.133: Seal, rear glass, cut to length
34	121.373	1	Finisher strip
35	133.392	1	Joint piece
36	150.973	1	Headlining kit, silver grey. Comes ready sewn together with enough material to cover various fitted panels.
37	134.411	1	Rod, front
38	134.412	1	Rod, centre
39	134.413	1	Rod, rear
40	135.238	6	Clip, locating the rods
41	162.932	2	Screw
42	163.180	2	Washer, plain

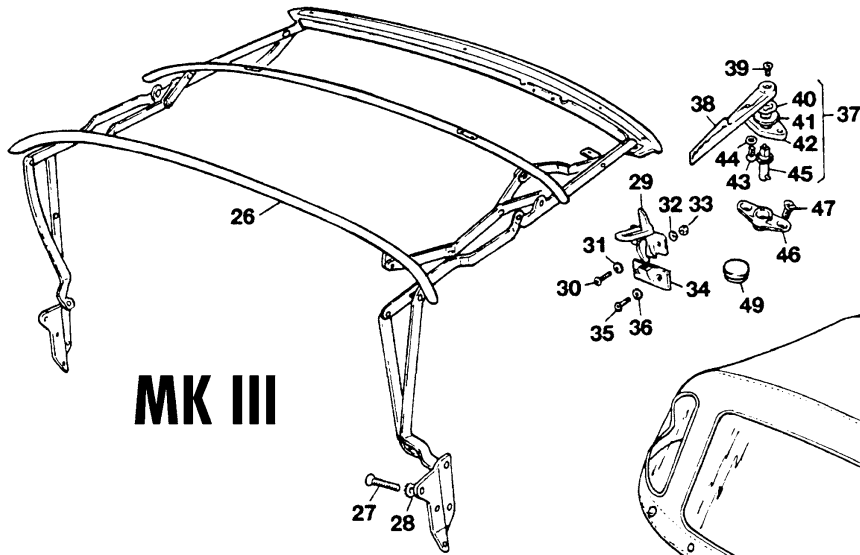
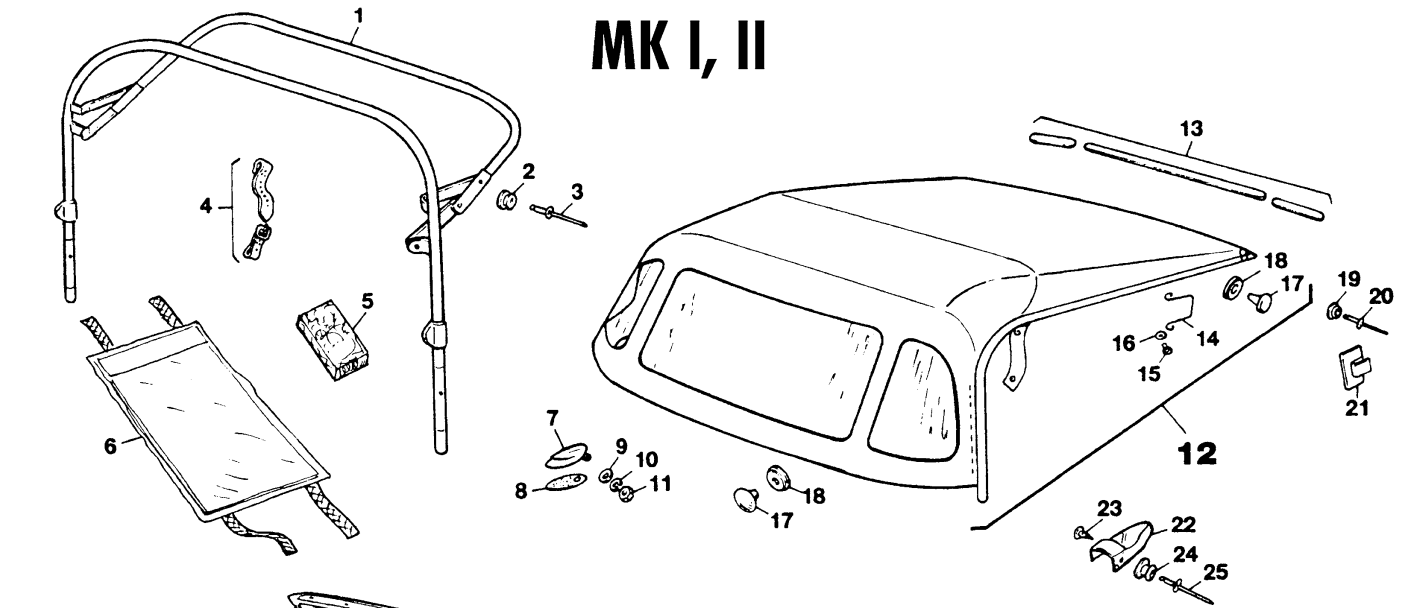


ILL N°	PART N°	QTY	DESCRIPTION
1	130.036	1	Original hard top used condition
	130.029	1	reproduction hard top fibre glass
2	130.070	1	Hard top shell, metal
3	162.443	2	Bolt, black, domed head
4	164.002	2	Washer, spring
5	163.179	2	Washer, plain, chrome
6	135.348	2	Distance tube
7	163.131	2	Washer, plain
8	141.579	1	RH Mechanism ass.
	141.580	1	LH Mechanism ass.
9	162.814	4	Screw
10	162.933	2	Screw, hinge
11	163.181	4	Washer, plain
12	161.501	2	Nut, domed head
13	162.426	4	Screw, domed head, chrome
14	164.002	4	Washer, spring
15	163.179	4	Washer, plain, chrome
16	162.426	2	Screw, domed head, chrome
17	164.002	2	Washer, spring
18	163.179	2	Washer, plain, chrome
19	162.931	4	Screw
20	164.071	4	Washer, cupped, shake-proof
21	162.934	2	Screw, domed head, chrome
22	164.002	2	Washer, spring
23	163.179	2	Washer, plain, chrome
24	135.240	1	RH mounting bracket
	135.241	1	LH Mounting bracket
25	135.242	1	RH Rod, hard top to body
	135.243	1	LH Rod, hard top to body

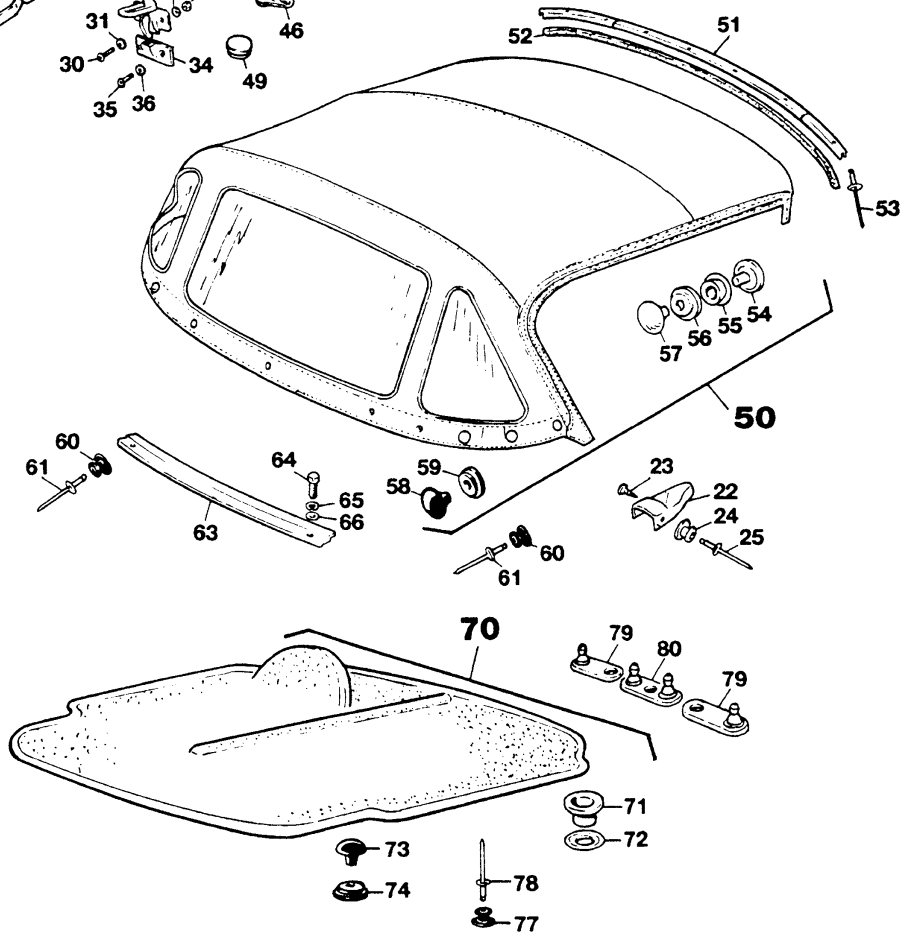
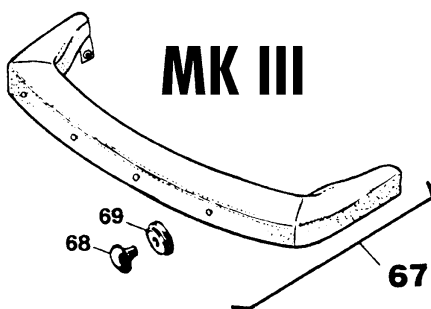
ILL N°	PART N°	QTY	DESCRIPTION
26	141.450	2	Rod, hard top to hood frame fixing plate
27	121.067	1	Seal, front
28	121.348	1	Seal, surround
29	121.241	1	RH Seal, door glass
	121.242	1	LH Seal, door glass
30	121.349	1	Seal, rear
31	122.256	2	Pad, mounting
32	122.280	2	Pad, mounting
33	122.278	1	RH Pad, 'B' post
	122.279	1	LH Pad, 'B' post
34	120.084	1	RH Frame, quarter light
	120.085	1	LH Frame, quarter light
35	120.086	2	Glass, quarter light
36	150.974	1	RH Seal, quarter light
	150.975	1	LH Seal, quarter light
37	120.089	1	Glass
38	121.358	1	Seal, glazing
39	140.271	1	Upper moulding
40	134.317	1	Lower moulding
41	141.574	2	Corner piece
42	134.336	1	Moulding, rear edge
43	172.581	5	Rivet, moulding
44	150.976	1	Headlining kit, light grey
	150.977	1	Headlining kit, white
45	134.414	1	Front rod
46	134.415	1	Centre rod
47	134.416	1	Rear rod
48	172.582	6	End catch, rod fixing



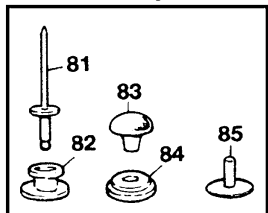
MK I, II



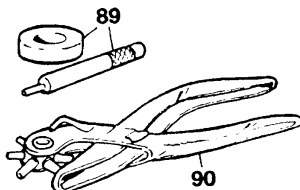
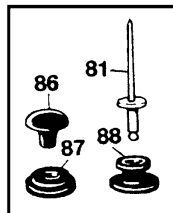
MK III



MK I, II



MK III

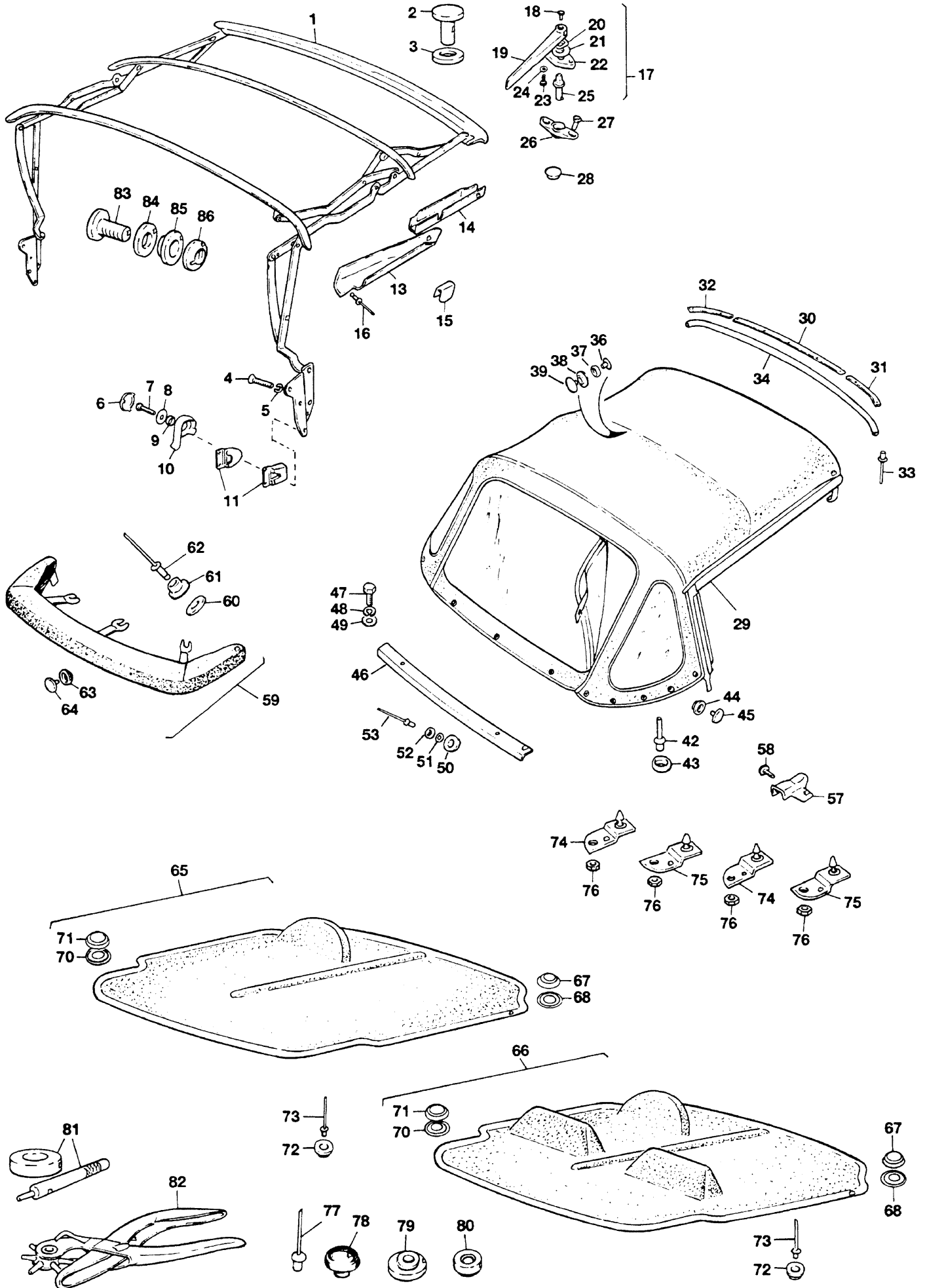


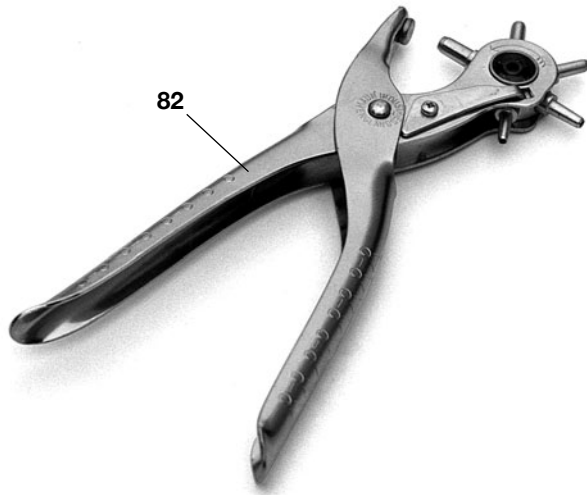
Hood, hood frame, tonneau cover: Spitfire MKI, II, III



ILL N°	PART N°	QTY	DESCRIPTION	APPLICATION
1	155.035	1	Hood frame	MKI, II
2	152.035	2	Stud	
3	152.034	1	Rivet set, 10 pieces	
4	150.979	1	Strap, leather Frame to tank panel	fixed by the central screw of the tank panel
5	150.980	2	Pad, between frame & wheel arch	
6	150.981	1	Stowage bag, hood	
7	141.614	2	Chrome retaining hook	
8	016.413	2	Gasket, hook to rear deck	
9	163.013	2	Washer, plain	
10	164.015	2	Washer, spring	
11	161.024	2	Nut	
12	153.166	1	HOOD, black, supplied with fasteners	MKI, II
13	134.258	1	strip set, hood to screen	
14	152.149	2	Hook, front	
15	152.144	4	Rivet cap	
16	152.145	4	Washer, back plate	
17	152.036	12	Button, stainless steel	
18	152.037	12	Socket, stainless steel	
19	152.035	2	Stud on windscreen frame	
20	152.034	1	Rivet set, 10 pieces	
21	172.384	2	Bracket, hook	
22	141.605	1	RH Finisher, 'B' post	MKI to FC5463
	141.606	1	LH Finisher, 'B' post	MKI to FC5463
	141.609	1	Pair Finishers, 'B' post	MKI, II, III from FC5464
	141.607	1	RH Finisher, 'B' post	MKI, II, III from FC5464
	141.608	1	LH Finisher, 'B' post	MKI, II, III from FC5464
23	172.164	4	Clip	MKI to FC5463
	162.162	2	Screw	MKI to FC5463
24	152.035	2	Base, stainless steel	
25	167.037	2	Rivet	
26	155.027	1	Hood frame	MKIII
27	162.935	6	Screw, frame to body	
28	164.071	6	Washer, shake-proof	
29	141.560	2	Hood catch, handle	MKIII early
30	162.704	4	Screw	MKIII early
31	164.059	4	Washer, shake-proof	MKIII early
32	163.013	4	Washer, plain	MKIII early
33	161.024	4	Nut	MKIII early
34	141.561	2	Catch part	MKIII early
35	162.704	4	Screw	MKIII early
36	164.059	4	Washer, shake-proof	MKIII early
37	141.387	2	Hood closing handle	late type
38	141.406	2	Handle, chrome plated	late type
39	162.585	2	Screw	late type
40	164.045	2	Waved washer	late type
41	163.004	2	Washer	late type
42	141.615	2	Escutcheon	late type

ILL N°	PART N°	QTY	DESCRIPTION	APPLICATION
43	162.126	2	Screw	late type
44	164.069	2	Washer, shake-proof	late type
45	135.586	2	Pin	late type
46	135.587	1	RH Catch	late type
	135.588	1	LH Catch	late type
47	162.830	4	Screw, catch/windscreen	late type
49	122.241	2	Grommet, screen capping, fixing holes	to plug hard top
50	153.170	1	HOOD, black, supplied with fasteners	MKIII
51			Seal retainer strip, supplied in 3 pieces	
	133.181	1	RH Corner piece	
	133.182	1	LH Corner piece	
	134.046	1	Central piece	
52	121.192	1	Seal, header rail	
53	172.372	10	Rivet	
54	152.038	4	Stud, stainless steel	
55	152.035	4	Base, stainless steel	
56	152.037	4	Socket, stainless steel	
57	152.036	4	Button, stainless steel	
58	152.097	8	Button, black	
59	152.096	8	Socket, black plastic	
60	152.095	11	Stud, black plastic	
61	152.117	11	Rivet	
63	134.417	1	Retaining plate, hood to rear deck	
64	162.426	2	Bolt, domed head, chrome	
65	164.072	2	Washer, spring	
66	163.179	2	Washer, plain	
67	150.283	1	HOOD COVER, black	
68	152.097	11	Button, black plastic	
69	152.096	11	Socket, black plastic	
70	153.275	1	TONNEAU COVER	MKI, II
	153.274	1	TONNEAU COVER	MKIII
71	152.147	4	Eyelet	
72	152.148	4	Ring for eyelet	
73	152.097	15	Button, black plastic	
74	152.096	15	Socket, plastic	
77	152.095	6	Stud -door, plastic	
78	172.372	6	Rivet	
79	152.138	2	LH or RH Bracket & stud	
80	152.137	1	Central bracket	
81	152.034	A/R	Rivet set (10 pieces)	
82	152.019	A/R	Base stud (10 pieces) stainless steel	
83	152.017	A/R	Top cap button (10 pieces) stainless steel	
84	152.018	A/R	Socket (10 pieces) stainless steel	
85	152.020	A/R	Bottom fastener (10 pieces) stainless steel	
86	152.097	A/R	Button, black plastic	
87	152.096	A/R	Socket, black plastic	
88	152.095	A/R	Stud, black plastic	
89	185.019	1	Punch and bed kit	
90	200.419	1	Revolving punch pliers	
91	151.673	1	Wind deflector	MKIII, IV & 1500



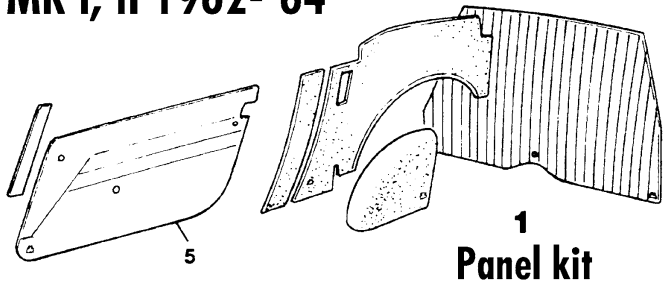


ILL N°	PART N°	QTY	DESCRIPTION	APPLICATION
1	155.028	1	Hood frame, less plastic cappings	
2	172.583	2	Rivet, frame to header rail	
3	163.011	2	Washer, plain	
4	162.065	4	Screw, frame to body	
5	164.012	4	Washer, spring	
6	135.589	2	Blanking plug	
7	162.147	2	Screw, frame to body	
8	163.011	2	Washer, plain	
9	163.183	2	Spacer tube	
10	135.590	2	Cover and seat belt hook	
11	135.591	2	Cover and stowage	
13	150.889	1	RH Cover, rear	to June '76
	150.893	1	RH Cover, rear	from June '76
	150.890	1	LH Cover, rear	to June '76
	150.894	1	LH Cover, rear	from June '76
14	150.887	1	RH Cover, front	to June '76
	150.891	1	RH Cover, front	from June '76
	150.888	1	LH Cover, front	to June '76
	150.892	1	LH Cover, front	from June '76
15	172.584	8	Clip	to June '76
16	172.585	8	Rivet	from June '76
17	141.387	2	Closing handle ass.	
18	162.585	2	Screw UNC	
	162.831	2	Screw METRIC	
19	141.406	2	Handle, chrome	
20	164.045	2	Washer, waded	
21	163.004	2	Washer, plain	
22	141.615	2	Escutcheon	
23	162.126	4	Screw	
24	164.069	4	Washer, shake-proof	
25	135.586	2	Pin	
26	135.587	1	RH Catch plate	
	135.588	1	LH Catch plate	
27	162.457	4	Screw	
28	122.241	2	Grommet, hole blanking for windscreen capping	
29	153.174	1	HOOD, black PVC with zip-out rear window comes with fasteners and fitting instructions	
	153.443	1	HOOD, black acrylic with zip-out rear window comes with fasteners and fitting instructions	
30	134.046	1	Central retaining strip	
31	133.181	1	RH Corner, retaining strip	
32	133.182	1	LH Corner, retaining strip	
33	172.372	11	Rivet	
34	121.067	1	Seal, hood to windscreen	
36	152.038	9	Stud, stainless steel	
37	152.035	9	Base, stainless steel	
38	152.037	9	Socket, stainless steel	

ILL N°	PART N°	QTY	DESCRIPTION	APPLICATION
39	152.036	9	Button, stainless steel	
42	167.037	8	Stud	not supplied with hood
43	152.095	8	Base, plastic	not supplied with hood
44	152.096	8	Socket, plastic	
45	152.097	8	Button, plastic	
46	134.420	1	Retaining plate, rear	
47	162.426	2	Bolt, domed head, chrome	
48	164.002	2	Washer, spring	
49	163.179	2	Washer, plain	
50	122.281	3	Pad, protection	
51	163.178	3	Washer, plain	
52	152.095	3	Base, plastic	
53	152.117	3	Rivet	
57	141.252	1	RH 'B' post finisher	
	141.253	1	LH 'B' post finisher	
58	162.162	2	Screw	
59	150.282	1	HOOD COVER, black	when hard top is NOT fitted at the same time
	150.886	1	Hood cover, black.	when hard top is fitted and the folded hood remains in the car.
60	163.012	2	Washer, plain	
61	152.095	2	Base, plastic	
62	167.037	2	Rivet	
63	152.096	11	Socket, plastic	
64	152.097	11	Button, plastic	
65	153.312	1	TONNEAU COVER, black	when no head rests
66	153.271	1	TONNEAU COVER, black with head rest pockets	when head rests are fitted
67	152.147	4	Eyelet	
68	152.148	4	Ring for eyelet	
70	152.096	15	Socket, plastic	
71	152.097	15	Button, plastic	
72	152.095	6	Base on door, plastic	
73	172.372	6	Rivet	
74	152.094	2	LH Bracket & stud	
75	152.093	2	RH Bracket & stud	
76	161.024	4	Nut	
77	152.034	A/R	Rivet set , 10 pieces	
78	152.097	A/R	Button, black plastic	
79	152.096	A/R	Socket, black plastic	
80	152.095	A/R	Base, black plastic	
81	185.019	1	Punch and bed kit	
82	200.419	1	Revolving punch pliers	
83	162.393	A/R	Screw, champion head frame assembling	
84	163.082	A/R	Washer, plastic	
85	133.697	A/R	Spacer washer, plastic	
86	161.295	A/R	Nut, special shape	

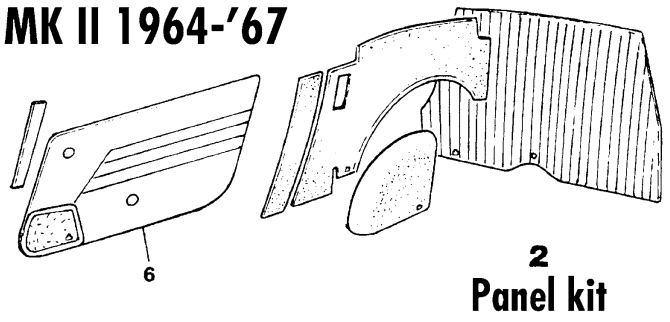


MK I, II 1962-'64



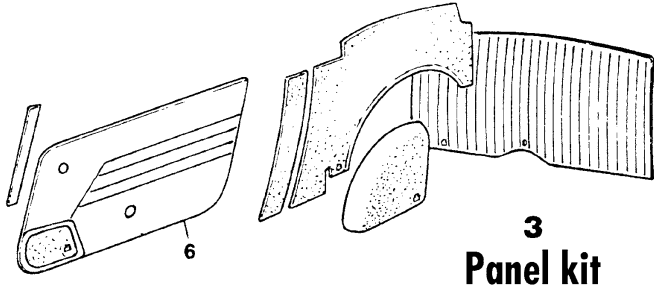
1
Panel kit

MK II 1964-'67



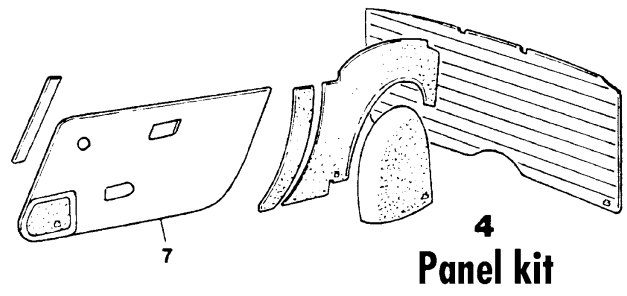
2
Panel kit

MK III 1967-'70

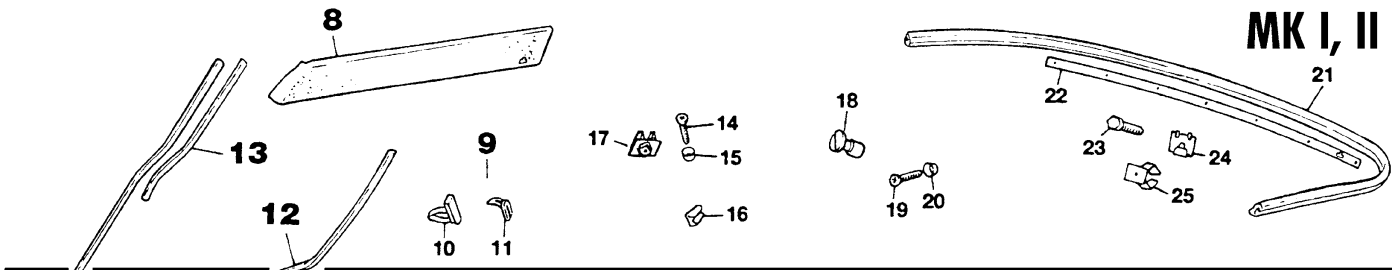


3
Panel kit

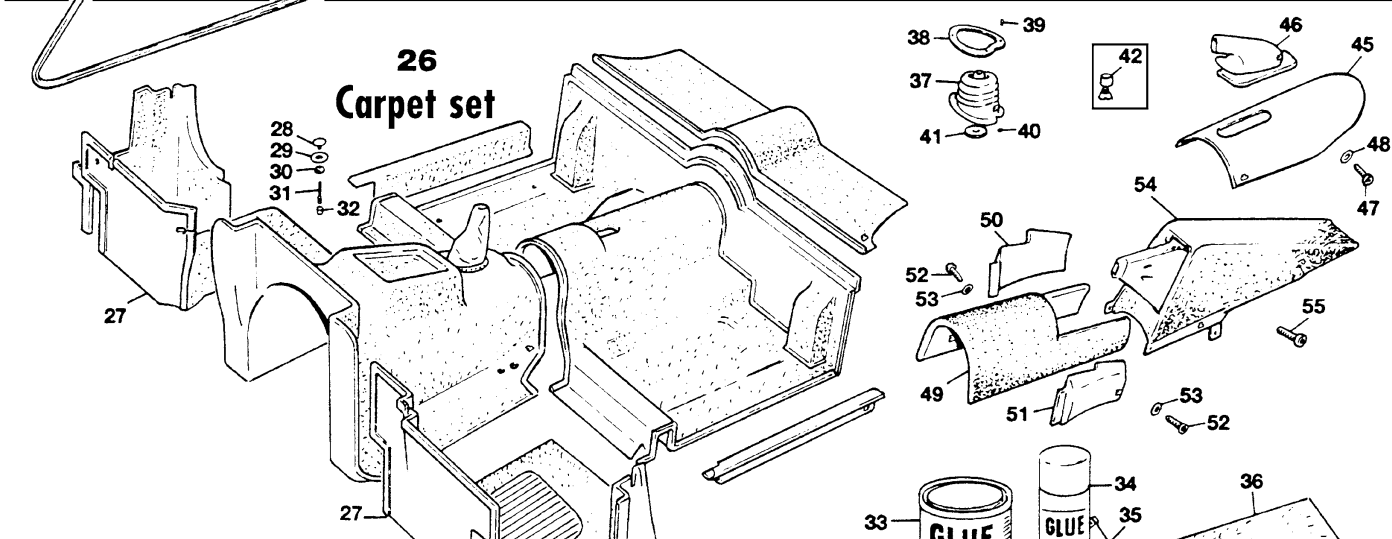
MK IV-1500 1970-'80



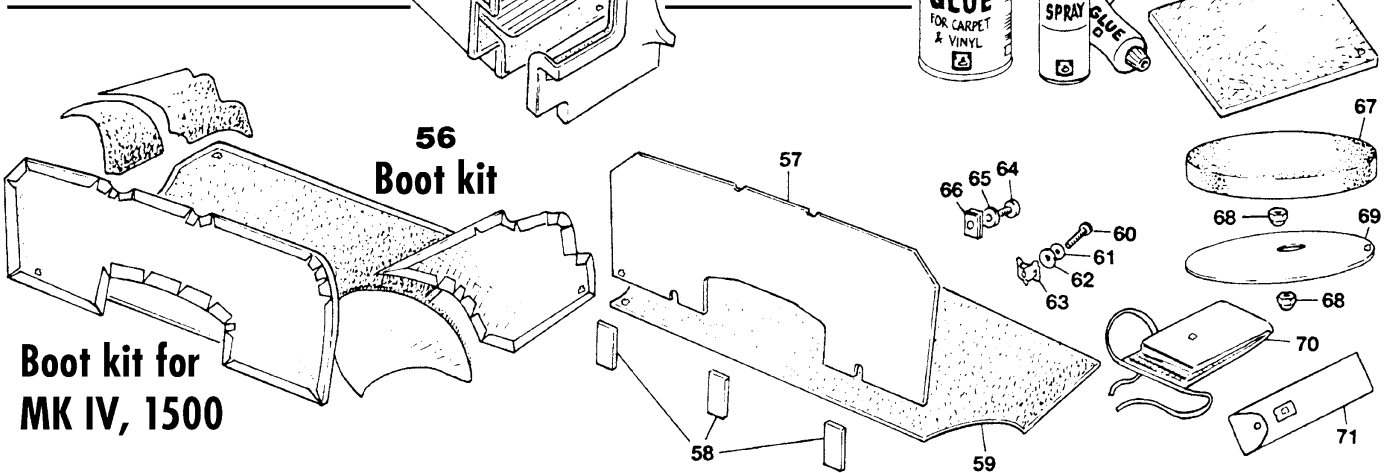
4
Panel kit



MK I, II



26
Carpet set



**Boot kit for
MK IV, 1500**



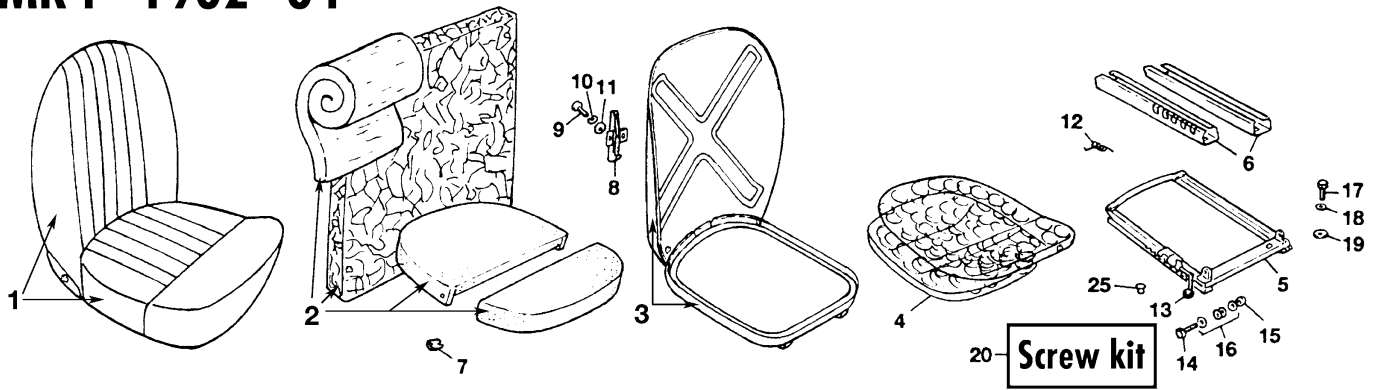
Pair heavy duty rubber mats
Solid mats with Triumph logo moulded into the surface

ILL N°	PART N°	QTY	DESCRIPTION	APPLICATION
1	151.653	1	Complete panel kit, black	MKI, II to FC56578
2	151.654	1	Complete panel kit, black	MKII from FC56579
3	151.655	1	Complete panel kit, black	MKIII
4	151.656	1	Complete panel kit, black	MKIV, 1500
	151.657	1	Complete panel kit, beige	MKIV, 1500
	151.658	1	Complete panel kit, biscuit	MKIV, 1500
5	151.055	1	Pair door panels, black	MKI, II to FC56578
6	151.058	1	Pair door panels, black	MKII, III from FC56579
7	151.061	1	Pair door panels, black	MKIV, 1500
	151.065	1	Pair door panels, beige	MKIV, 1500
8	150.281	1	Pair door cappings, black	from MKII FC56579
9	135.601	1	Clip set, 44 pieces	
10	172.213	16	Clip, top edge	
11	172.138	28	Clip, others	
12	150.038	1	Pair door seals, black	440 cm for 2 doors
13	121.064	2	Seal, 'A' post	MKI, II, III
	121.065	2	Seal, 'A' post	MKIV, 1500
14	162.338	16	Screw, panels fixing	
15	163.052	16	Cup washer	
16	172.170	4	Clip, upper side, quarter panel fixing	
17	161.502	8	Spire nut	MKI, II only
18	152.163	2	DZUS fastener, rear panel	MKI, II
	152.164	2	Grommet, DZUS fastener	MKI, II
	152.165	2	Cup washer, DZUS fastener	MKI, II
	152.035	3	Stud, fastener	MKI, II
19	162.338	6	Screw, rear panel fixing	
20	163.052	6	Cup washer	
21	121.376	1	Rear cockpit finisher seal	MKI, II
	121.353	1	Rear cockpit finisher seal	MKIV, 1500
22	134.423	1	Retainer strip	MKI, II
23	162.732	7	Screw, retainer strip	MKI, II
24	172.587	7	Nut-fix, retainer strip	MKI, II
25	172.588	7	Fixing clip, alternative for 162.732 + 172.587	MKI, II
26	151.649	1	Complete moulded carpet set Top quality, perfect fit and thick insulated foot mats. Comes with fasteners etc. Glue not included	MKI, II, III, IV (3 rail gearbox type)
	151.281	1	Complete moulded carpet set Top quality, perfect fit and thick insulated floor mats. Comes with fasteners etc. Glue not included	MKIV, 1500 (single rail gearbox)
	151.283	1	Complete carpet set. Basic quality and not moulded	all models
27	151.284	1	Pair foot mats, made from moulded insulated carpet	
	151.415	1	Pair heavy duty rubber mats. Will keep carpet wear at a minimum. With logo.	
28	152.017	1	Button, 10 pieces	
29	163.013	10	Washer, plain	
30	152.018	1	Socket, 10 pieces	

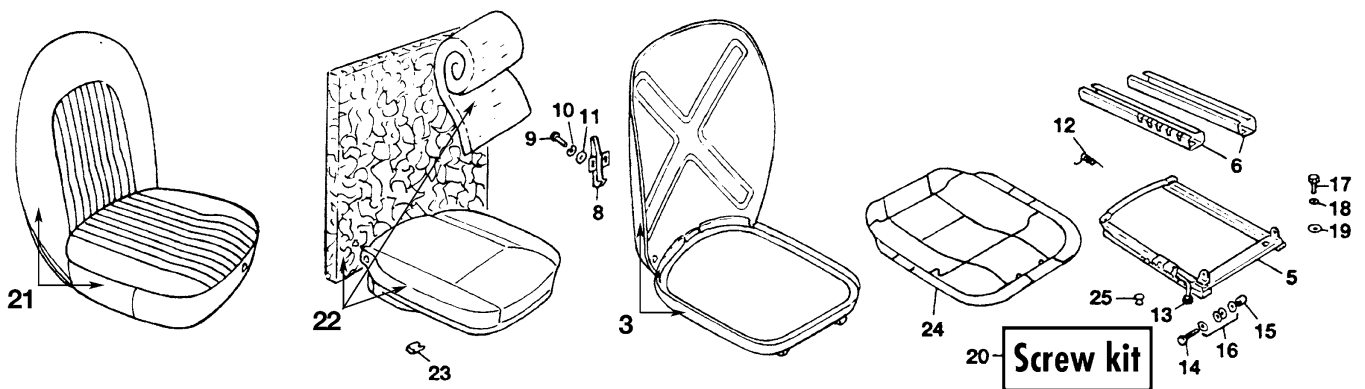
ILL N°	PART N°	QTY	DESCRIPTION	APPLICATION
31	152.034	1	Rivet, 10 pieces	
32	152.019	1	Stud fastener, 10 pieces	
33	187.009	1	625 Gr. Glue pasta	
34	187.010	1	Glue spray	
35	187.011	1	Glue tube	
36	151.097	1	1 meter, insulation felt	
37	121.232	1	Boot, gear lever	MKI, II, III
38	135.033	1	Retaining ring	
39	162.165	4	Screw	
40	161.387	4	Nut, clip	
41	168.154	1	Washer, rubber	
42	141.616	1	Gaiter bezel kit, 2 pieces, chrome plated	
45	150.987	1	Mounting board, fits under tunnel carpet	
46	121.375	1	Gaiter, hand-brake	MKI, II, III
	121.138	1	Gaiter, hand-brake	MKIV, 1500
47	162.167	4	Screw	
48	163.060	4	Cup washer	
49	150.061	1	Centre cover, black	
	150.065	1	Centre cover, beige	
50	150.067	1	RH Knee pad, black	
	150.075	1	RH Knee pad, beige	
51	150.068	1	LH Knee pad, black	
	150.076	1	LH Knee pad, beige	
52	162.339	6	Screw	
53	163.059	6	Cup washer	
54	150.055	1	Arm rest, black	
	150.059	1	Arm rest, beige	
55	162.588	4	Screw	
56	151.650	1	Anglo Parts optional Boot carpet kit : - Tank board covered in carpet - Side boards covered in carpet - Carpeted floor mat - Tailored wheel arch covers	MKIV, 1500
57	151.651	1	Petrol tank cover board	MKI, II, III
	151.279	1	Petrol tank cover board	MKIV, 1500
58	121.089	1	1 Meter black felt	cut to pieces
59	151.280	1	Boot floor mat	
60	162.825	7	Screw, tank panel	MKI, II, III
61	164.016	7	Washer, shake-proof	
62	163.013	7	Washer, plain	
63	161.392	7	Clip nut	
64	162.729	7	Screw	MKIV, 1500
65	163.013	7	Washer, plain	
66	172.080	7	Spire nut	
67	151.277	1	Spare wheel cover	
68	161.368	2/1	Nut	
69	151.565	1	Support board & bracket	
70	150.451	1	Hardura tool bag	
71	150.990	1	PVC Tool bag with logo	
72	151.415	1	Pair heavy duty rubber mats	



MK I 1962-'64



MK II 1964-'67 • MK III 1967-'70

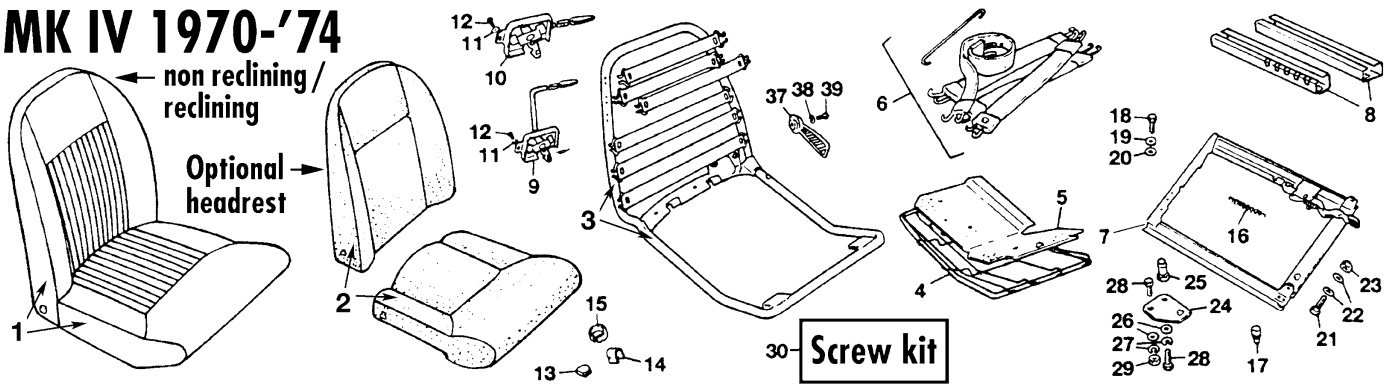


ILL N°	PART N°	QTY	DESCRIPTION	APPLICATION
1	156.185	1	Pair seat covers, black with white piping	MKI for 2 seats
2	157.057	1	Seat filling kit, for 2 seats, incl.: foam rubberised hair base and wadding	MKI
3	131.570	1	RH Seat frame	
	131.571	1	LH Seat frame	
4	131.733	2	Seat springs, base	MKI
5	132.631	1	RH Seat sliding rails included floor rails	
	132.632	1	LH Seat sliding rails included floor rails	
6	134.424	2	Pair floor rails, only	
7	172.170	60	Clips, seat cover/frame	
8	135.592	2	Hook	
9	162.215	4	Screw	
10	164.015	4	Washer, spring	
11	163.013	4	Washer, plain	
12	171.053	1	RH Spring, lever locking	
	171.054	1	LH Spring, lever locking	

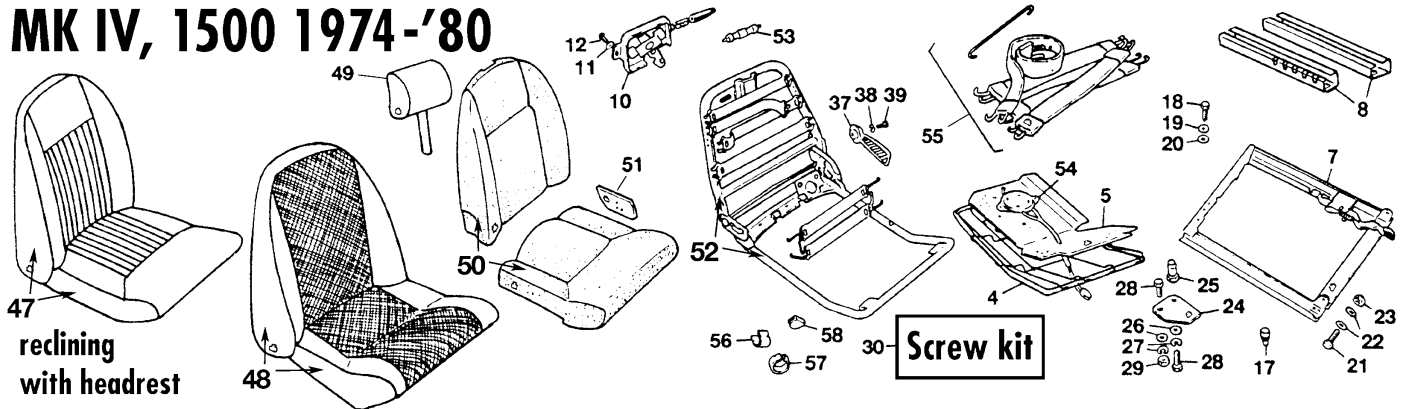
ILL N°	PART N°	QTY	DESCRIPTION	APPLICATION
13	135.593	2	Lever knob	
14	162.022	4	Screw, slide to frame	
15	161.012	4	Nut, nyloc	
16	163.001	16	Washer, plain	
17	162.077	8	Screw, rails to floor	
18	163.010	8	Washer, plain	
19	163.005	8	Washer, plain	
20	135.602	1	Screw set, sliders to floor & sliders to seats	
21	156.014	1	Pair seat covers, black with white piping	MKII, III, for two seats
22	157.016	1	Seat filling kit for two seats, included: seats base foams, rubberised hair base + wadding.	
23	172.170	60	Clip, seat covers to frame	
24	131.732	2	Base frame, wire	
25	122.257	8	Buffer, squab to base	



MK IV 1970-'74

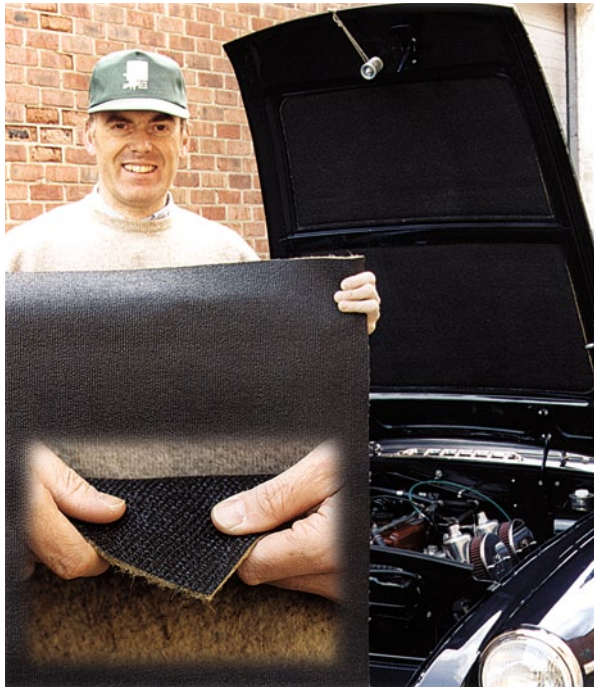


MK IV, 1500 1974-'80



ILL N°	PART N°	QTY	DESCRIPTION	APPLICATION
1	156.019	1	Pair seat covers, black	
2	157.017	1	Seat foam kit, for 2 seats	
3	131.738	1	RH Seat frame	
	131.740	1	RH Seat frame	'70-'73 Germany only
	131.741	1	LH Seat frame	'70-'73 Germany only
	131.739	1	LH Seat frame	
4	132.951	1	RH Base, seat	
	132.952	1	LH Base, seat	
5	159.002	1	RH Board, seat	
	159.003	1	LH Board, seat	
6	150.993	2	Strap kit	'70-'73
7	132.949	1	RH Seat slider set, with floor rails	A.W. Chapman type
	132.950	1	LH Seat slider set, with floor rails	A.W. Chapman type
	132.947	1	RH seat slider set, with floor rails	Hallam type
	132.948	1	LH Seat slider set, with floor rails	Hallam type
8	134.428	2	Pair floor rails, only	
9	135.619	1	RH Catch	up to FH50000
	135.620	1	LH Catch	up to FH50000
	135.595	1	LH Catch	from FH50001
10	135.594	1	RH catch	from FH50001
11	164.015	4	Washer, spring	
12	162.717	4	Screw	
13	172.302	12/24	Clip, seat trimming	
14	152.032	24	Clip, seat trimming	
15	172.466	8	Clip, seat trimming	
	172.593	8	Clip, seat trimming	
16	171.056	2	Spring, seat lever return	
17	122.288	4	Buffer, rubber	
18	162.065	8	Screw, rails to floor	
19	163.010	8	Washer, plain 5/16"	
20	163.005	8	Washer, plain 3/8"	
21	162.022	4	Screw, seat to rails	
22	163.001	8	Washer, plain	
23	161.012	4	Nut, nyloc	
24	135.621	2	Striker plate	
25	172.592	2	Pag	

ILL N°	PART N°	QTY	DESCRIPTION	APPLICATION
26	163.106	4	Washer, plain	
27	164.015	4	Washer, spring	
28	162.647	4	Screw	
29	161.024	2	Nut	
30	135.622	1	Screw set: rails to floor, sliders to seats & catch fixing. For 2 seats	
37	141.126	2	Handle, reclining	
38	164.015	2	Washer, spring	
39	162.717	2	Screw, handle fixing	
47	156.027	1	Pair Seat covers, black	'73-'76
	156.028	1	Pair Seat covers, beige	'73-'76
	156.340	1	Pair Seat covers, biscuit	'73-'80
48	156.029	1	Pair Seat covers, black vinyl & hounds-tooth cloth black/white	1500 from FH100020
	156.030	1	Pair Seat covers, beige vinyl & hounds-tooth cloth beige/white	1500 from FH100020
49	150.877	2	Head rest assembly, black	
	150.878	2	Head rest assembly, beige	
	159.005	2	Head rest assembly, biscuit	
	159.007	2	Head rest cover, black	
	159.008	2	Head rest cover, beige	
	159.006	2	Head rest cover, biscuit	
50	157.018	1	Seat foam kit, 2 seats	'73-'80, reclining
51	135.623	1	RH Outer stiffener plate	
	135.624	1	LH Outer stiffener plate	
	135.625	1	RH Inner stiffener plate	
	135.626	1	LH Inner stiffener plate	
52	131.744	1	RH Seat frame	'73-'80
	131.745	1	LH Seat frame	'73-'80
53	135.627	2	Spare roller, metal	
	135.628	2	Spare roller, nylon	
54	086.146	2	Switch and sensor pad	
55	150.993	2	Strap kit, 6 pieces	
56	172.302	24	Clip, seat trimming	
57	152.032	16	Clip, seat trimming	
58	172.594	8	Clip, seat trimming	



Part nr.
154.001
Black hardura
100 x 140 cm

Part nr.
150.146
White felt sheet
60 x 65 cm

Part nr.
150.144
Black felt sheet
125 x 76 cm

Part nr.
151.097
Thick insulation felt
1m²

Press stud fasteners

Ill. n°	Part n°	Description
1	152.036	Steel button
2	152.077	Black button
3	152.037	Steel socket
4	152.095	Black socket (PVC)
5	152.035	Steel stud
6	152.096	Black socket (PVC)
7	152.038	Fastener plate bottom
8	167.037	Rivet
9	185.019	Punch & bed kit

Carpet fasteners

Part nr. **152.152** **Ring**

Part nr. **152.153** **Socket**

Part nr. **152.035** **Low stud**

Part nr. **152.193** **High stud**



Part nr. 185.662 Aluminium vented rocker cover
Ferrari black wrinkle paint finish

Part nr. 185.094 Aluminium vented rocker cover

Part nr. 185.075 Spare chrome filler cap
Roller rocker assembly

Part nr. 016.074 Gasket

Part nr. 011.757 Engine breather filter
To be fitted when closed circuit crankcase breather system is not connected, for effective filtration.

Part nr. 018.053 Rocker cover nut kit

Part nr. 101.422 Breather hose adaptor
1/2" Flange, 3/4 long. For air filter back plate.

PERFORMANCE KIT
KENT CAMS

Part nr. 013.419 Fast Road Cam Kit for 1500 cc

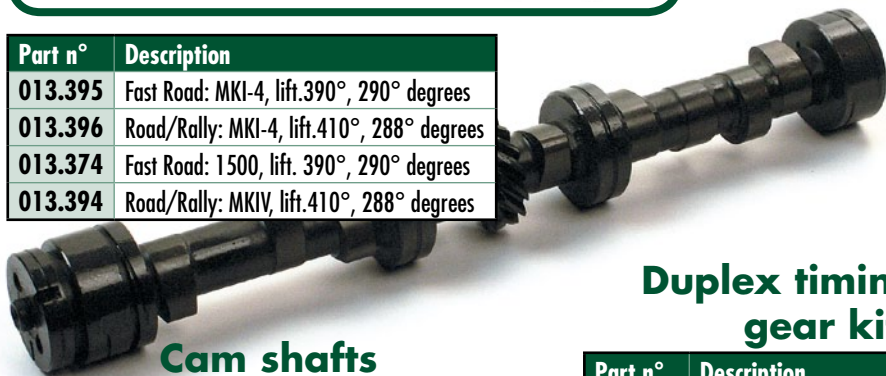
Includes: High performance camshaft, 8 cm followers, double valve spring set, spring retainers, cam lubricant and timing disc with fitting instructions.
Specifications: Power band: 2000-6500 • Cam lift: 6.62mm • Valve lift: 9.69/9.59mm • Duration: full LIFT.295° • Timing in/ex 39/76 76/39 • Inlet timing 108° • Valve clearance 0.36mm 0.46mm

Part nr. 185.682 Timing disc
A must for accurate valve timing setting

Part nr. 330.060 40gr. Assembly lube
for camshaft, followers and push rod

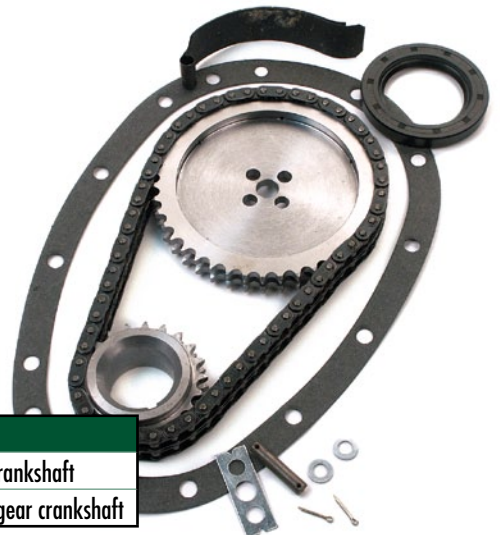
Part nr. 013.572 Kent Adjustable double cam sprocket
Install an adjustable double chain sprocket kit from Kent and overcome the problem of stretched single timing chains and worn sprocket wheels. High performance engines need razor sharp timing, the adjustable sprocket will help you to achieve this.

Part n°	Description
013.395	Fast Road: MKI-4, lift.390°, 290° degrees
013.396	Road/Rally: MKI-4, lift.410°, 288° degrees
013.374	Fast Road: 1500, lift. 390°, 290° degrees
013.394	Road/Rally: MKIV, lift.410°, 288° degrees



Duplex timing gear kits

Part n°	Description
013.868	MKI, II, III (1" I.D.) gear crankshaft
013.421	MKIV, 1500 (1.3/8" I.D.) gear crankshaft





CSI ignition systems for your Triumph Spitfire 1500

The origin of Classic Sport Ignition lies within a passion for classic cars. Years of hands on experience in automotive electronics have enabled the CSI company to develop the ultimate ignition for your classic car.

CSI ignition systems have been tested in heavy endurance rally's, like the Carrera Copacabana, the Monte-Carlo Historique and the Mille Miglia.



The 16 carefully tuned pre-programmed advance curves are at your disposal to choose from, just find the perfect one for your type of car. Choosing between the available curves is very easy. All you have to do is remove the distributor cap and change the curve to your desired position simply by using a screwdriver.

All CSI systems are installed into a special housing which can't be distinguished from original, your classic will keep its authentic look. We recommend changing the H.T. wiring to a non-copper wire type and the caps to 'push-on' types to give the best results. Early cars with a mechanical tachometer are easy to convert to negative earth, it will give you the possibility to fit a GPS or just reload your mobile using the cigar lighter connection.

When fitting this system, please remove the ballast coil and resistor, as CSI needs constant 12V.



Triumph Spitfire	Ground/earth	Distributor housing	CSI system part n°	H.T. lead kit part n°	Coil O.E. part n°	Coil Sport part n°	Spark plug O.E. part n°	Spark plug NGK part n°
1500	negative	45D4	181.340	081.080	081.001	081.195	012.088	012.389

Magnetronic ignition system



Optronic ignition system



Replaces contact breakers and condensers

Lumenition is proud to present the NEW Magnetronic Ignition System.

Designed to replace troublesome points with a simple drop in installation. Each unit comes complete, ready to fit straight into your existing distributor. You will notice that your car will start immediately, have better fuel consumption, and increased performance. The Magnetronic Ignition System is suitable for most Lucas distributors, **NEGATIVE EARTH** and with or without vacuum advance.

The benefits of the Magnetronic are: it is quick and easy to fit, completely self contained within the distributor and is a two wire connection. The unit is housed in a solid die-cast dissipating body which is unaffected by distributor wear and gives all the advantages associated with our Ignition Systems.

NEGATIVE EARTH ONLY!!!

Part nr. **086.578**

Originally for Negative earthed cars, ask for wiring info with positive earthed cars.

Power supply module



Distributor model	Part nr. kit
AC Delco: 4 cylinder	086.082 + 086.087
45D Lucas: 4 cylinder	086.082 + 086.083

Ask your local Anglo Parts shop for more information



System with mechanical distributor and contact points.



Lumenition, no wearing parts & always perfect timing.

Fitting kit for distributor



Part nr. **135.807**

Module bracket

For Lumenition optronic ignition module. With this bracket you can fit the module without drilling holes in your car.



Part nr. **081.154**

Lucas distributor for Spitfire 1500, with vacuum

Part nr. **082.141**

Modern lightweight replacement starters

This modern reliable starter gives more torque with less power drain when starting, this makes it ideal for daily use. They are also easier to install as they are much lighter and smaller.

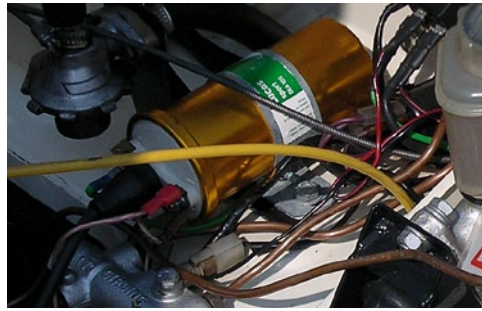




Sport coil Lucas 12V

- Improves the ignition performance
- Up to 40.000 volt output
- Easier starting
- NGK spark plugs recommended:
"The ultimate spark plug"

Part n°	Description
081.195	Not ballasted, 1962-'74
081.446	Ballasted, 1975-'80



Part nr.
135.303 **Coil bracket**
Made from stainless steel



Top

Part nr.

011.078

Oil filter spin-on

Bottom



NGK spark plugs

NGK Spark Plugs give improved reliability and performance and they cover a wider heat range.

The higher the reference figure, the higher the compression.

The competition spark plugs are superb for rally and race.

Part n°	Description
012.355	BP6ES Std.
012.354	BP7ES High competition
012.738	BP7ECS competition



Part nr.

185.287

Oil cooler installation kit with braided hoses

Our oil cooler kits come with a thermostat built into the take-off adaptor plate. The thermostat is set to open when 74°C has been reached. Oil keeps best operating temperature and will not be undercooled.

There are two kits: one with rubber and one with braided hoses.



Part nr.

023.275

Magnetic oil drain plug

This plug will collect metal, so your oil system is protected (tapered)



Oil cooler radiator

Part n°	Description
060.003	13 row type
060.041	15 row type for heavy work



Part nr.
012.402

Rocker feed kit

This kit will increase the supply of oil to the rocker shaft



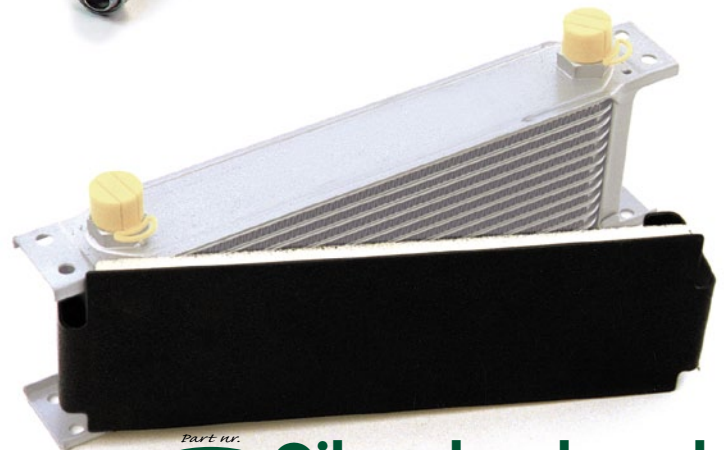
Part nr.

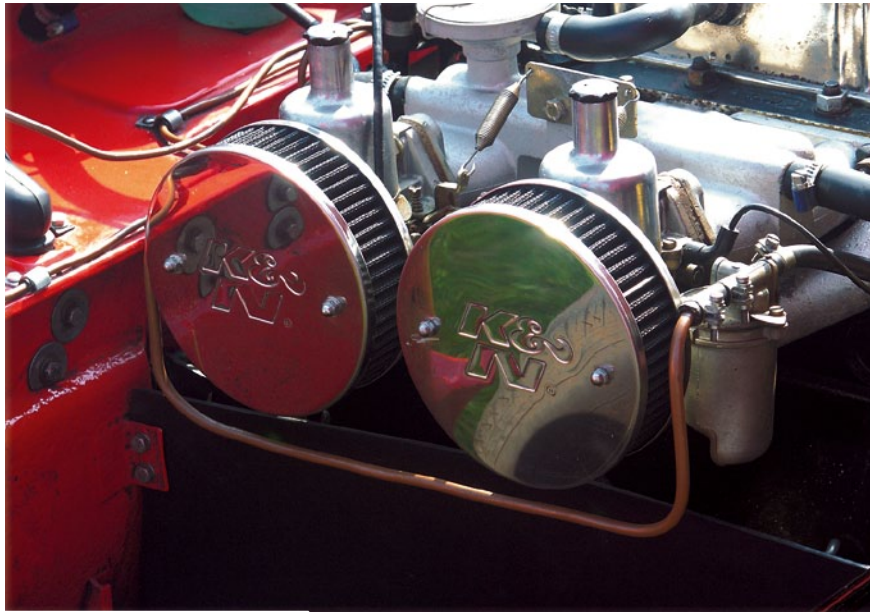
185.440

Oil cooler shroud

Put it on in Autumn and take it off in Spring. Takes a few seconds to install.

Engine oil protects better within a given temperature range, and an oil cooler makes sure this is maintained in the summer. In the winter this same cooler can cause undercooling. This easily mounted shroud makes sure this doesn't happen.





► **K&N airfilters***

Part n°	Description
185.020	SU 1.1/4"
101.038	SU 1.1/2"

Part nr. **101.102** **K&N replacement filter element***



Part nr. **108.596** **High performance filters***
SU 1.1/2"



Part nr. **101.574** **K&N replacement filter element***

K&N off-set compact airfilters*

K&N filters offer greatly improved air-flow. Elements are re-usable. Their reinforced cotton weave is impregnated with a specially formulated oil to retain airborne particles. Increases horsepower and improves throttle response. Maintenance documentation with each filter.

Part n°	Description
101.638	SU 1.1/4"
101.331	SU 1.1/2"



Part nr. **186.043**

K&N Air filter cleaner

K&N have developed a special air filter cleaner. Do not use compressed air or detergents, this can damage the cotton fabric and harden the rubber.



Part nr. **186.042**

Special K&N oil spray

After cleaning with 186.043, dry the filter and re-oil with the special K&N oil.



Part nr. **330.070**

Damper oil 125 ml
This is the right oil for your SU.



Part nr. **102.515**

Conversion kit

For Wax to standard, late 1500.

Part nr. **198.015** **Cleaner spray**
For inside & out



Part nr. **101.422** **Breather hose adaptor**

For connecting the breather hose into the filter backplate 1/2" Flange, 3/4" long.

Spitfire 1500 carburettor needle on spring

Part n°	Description
102.505	AAQ fast road
102.402	AAB Race



Part nr. **101.230** **K&N Rampipe**
1.1/2" SU. Improves airflow, for use with K&N filters. Sold individually.



Part nr. **200.572**

Carburettor synchroniser

When standard air filters are changed to K&N, you will improve airflow. We recommend that you also change carburettor fuel needles



Facet electric fuel pump

High pressure fuel pump. Years of proven reliability in race, rally & road specifications. Negative earthed & easy to fit. Unions not incl.

Part n°	Description
101.191	30 gallons /hour 5 PSI
108.287	Positive earthed
108.209	45 gallons/hour 7.5 PSI

Part n°	Description
101.192	Pair, 90° 5/16" bore
108.210	Pair, inline 9/8" bore

Unions
For facet pump

Part n°	Description
102.095	6 cm length
101.325	17 cm length
101.384	19 cm length
101.326	25 cm length
101.327	30 cm length
101.328	35 cm length
101.047	38 cm length

Flexible fuel hoses



Part nr. **101.821** **In-line fuel filter from purotor**

It is important that your fuel is filtered properly. This chrome plated fuel filter, complete with unions, hoses and installation clips will do the job right. Toughened glass fibre, cleanable filter and 1/4" bore

Part nr. **101.819** **Fuel pressure regulator**

This adjustable fuel pressure regulator eliminates high-end power fade. The fully adjustable dial settings ensure proper metering of fuel for consistent low or high-end power. Comes complete with unions from 1/4", two hoses and clips.

Part nr. **102.096** **'T' piece for fuel hoses**

Part nr. **172.051** **Clip for braided fuel hoses**

Part nr. **101.826** **Spacer with vacuum breather HS4 1.1/2"**

Part nr. **108.247** **King filter regulator with glass bowl (67 mm)**

1.5 - 5 PSI, 1/4" bore

• **108.248** Replacement fuel filter

Part nr. **198.059** **Valvemaster Plus**

Castrol valvemaster is a phosphorous based additive to enable you to use unleaded petrol in your classic without modifying the engines soft valve seats. The formulation has a long history of use as a lead replacement additive in North and South America, Australia, New Zealand and Europe. Castrol Valvemaster is endorsed by the Federation of British Historic Vehicle Clubs (FBHVC) following the tests developed by that independent body. Castrol are confident that it can be used under all driving conditions and that it is compatible with both LRP and leaded fuel. Supplied in 250ml bottles, with a built in measuring device. 10ml treats 10 litres of unleaded giving you the flexibility to fill up with varying quantities of fuel. Castrol Valvemaster Plus has the addition of an octane booster to reduce pinking or knocking in tuned or high compression engines without the need to retune. • 250ml treats 250 litres of unleaded fuel • Ultimate protection against valve seat recession • Provides an octane boost to unleaded fuel, reducing knocking • Protects engine under all driving conditions • Reduces the need to re-tune • Keeps the fuel system clean and provides excellent corrosion protection • OK for 40 L



VSP PLUS Lead substitute & octane booster

To be added to unleaded fuel as a replacement for 4 star leaded petrol. Most pre-1990 or classic cars have soft 4 valve seats in the engine which means they cannot run on unleaded petrol without risking severe valve seat wear which could lead to further significant engine damage. VSP PLUS uses advanced Manganese technology which: • protects against valve seat recession • Boosts octane of unleaded petrol typically back to 4 old star leaded levels • removes the need to retard the ignition • prevents pinking when using unleaded fuel • tests on U.K. refinery fuels confirm an average increase of 2 octane numbers when added to unleaded fuel • OK for 40 liters



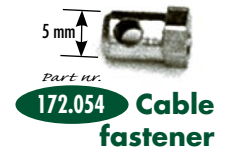
Part nr. **171.011** **Spring**



Part nr. **172.027** **Fastener accelerator cable**



Part nr. **163.033** **Washer, oval**
2 holes to hold a spring



Part nr. **172.054** **Cable fastener**



Part nr. **162.271** **Screw**



Part nr. **162.084** **Plug, 5/8" UNF**



Part nr. **011.073** **Vacuum adaptor**
for servo, 5/8" UNF



Part nr. **011.315** **Vacuum adaptor**
for servo with non return valve 5/8" UNF



Part n°
060.036

Improved radiator for maximum protection

This radiator has a higher cooling ability, originally designed for the Tropics.



Part n°
198.044

Water Wetter

This super coolant helps control overheating. Your car can run up to 7°C cooler. 355ml

Classic Cool 180° Waterless engine coolant

Revolutionary brand new coolant without water.

No water=no overheating or pressure, no corrosion, no pitting, no sediment and more BHP. Lifelong cooling and a perfect solution for all radiators incl. aluminium.

Use Prep Fluid before hand to clean the system, before changing to Classic Cool 180°.



Part n°	Description
186.174	Classic Cool 180°, waterless engine coolant
186.175	Prep Fluid for flushing cooling system



Revotec fan kits

These latest tailor made high efficiency fan kits with electronic controllers provide accurate on-off switching of the fan to ensure optimal cooling.

Revotec uses laser-cut brackets that mount directly onto the radiator mounting. Brackets are bright passivated to give a smart appearance and prevent corrosion.

Upgrading to these electronic fans increases fuel economy, reduces engine warm-up time and ensures sufficient engine cooling and protection in modern traffic conditions. Negative or positive earth available.

Complete kits	Part n° Negative earth	Part n° Positive earth	dia.
Triumph Spitfire	185.905	285.905	9"

Each kit is supplied complete with a OEM quality blowing fan, variable temperature fan controller, laser cut brackets, hoses, hoseclips and all fittings and instructions required for a professional installation

- Custom engineered to fit and cool your British classic without permanent modifications and utilising the original radiator mountings
- Easy to install with basic hand tools
- OEM components used throughout
- Latest fan and controller technology used together for the ultimate cooling package.

Part n°
061.829

Revotec electric controller for existing fans

These fan controllers are a great solution for converting your existing fan system. These are retro fitted to your existing fan to give precise on-off switching.

Fits neatly into your cooling system without using capillary probes or clip-on devices, ensuring perfect flow and effective sealing of the cooling system.

Upgrading to these controllers increases fuel economy, reduces engine warm-up time and helps engine cooling and protection in modern traffic conditions. Negative Earth Only!



- Easy to install with basic hand tools
- OEM components used throughout
- Latest fan controller technology.



Part n°	Description
185.129	Kenlowe cooling fan for Spitfire MKI-II
186.127	Kenlowe cooling fan for Spitfire MKIV-1500



Kenlowe cooling fan kit

If your Spitfire suffers from overheating in modern traffic during high summer temperatures, we recommend a Kenlowe fan kit is installed to provide extra cooling.

Mounting: The standard specification includes adjustable body/chassis mountings to secure the fan adjacent to but not connected to the radiator. A no-cost option is direct radiator fitting with moulded mountings that extend beyond the fan to provide a simple secure four point mounting without drilling, or use of spanners. Note: this is not recommended for alu core radiators.

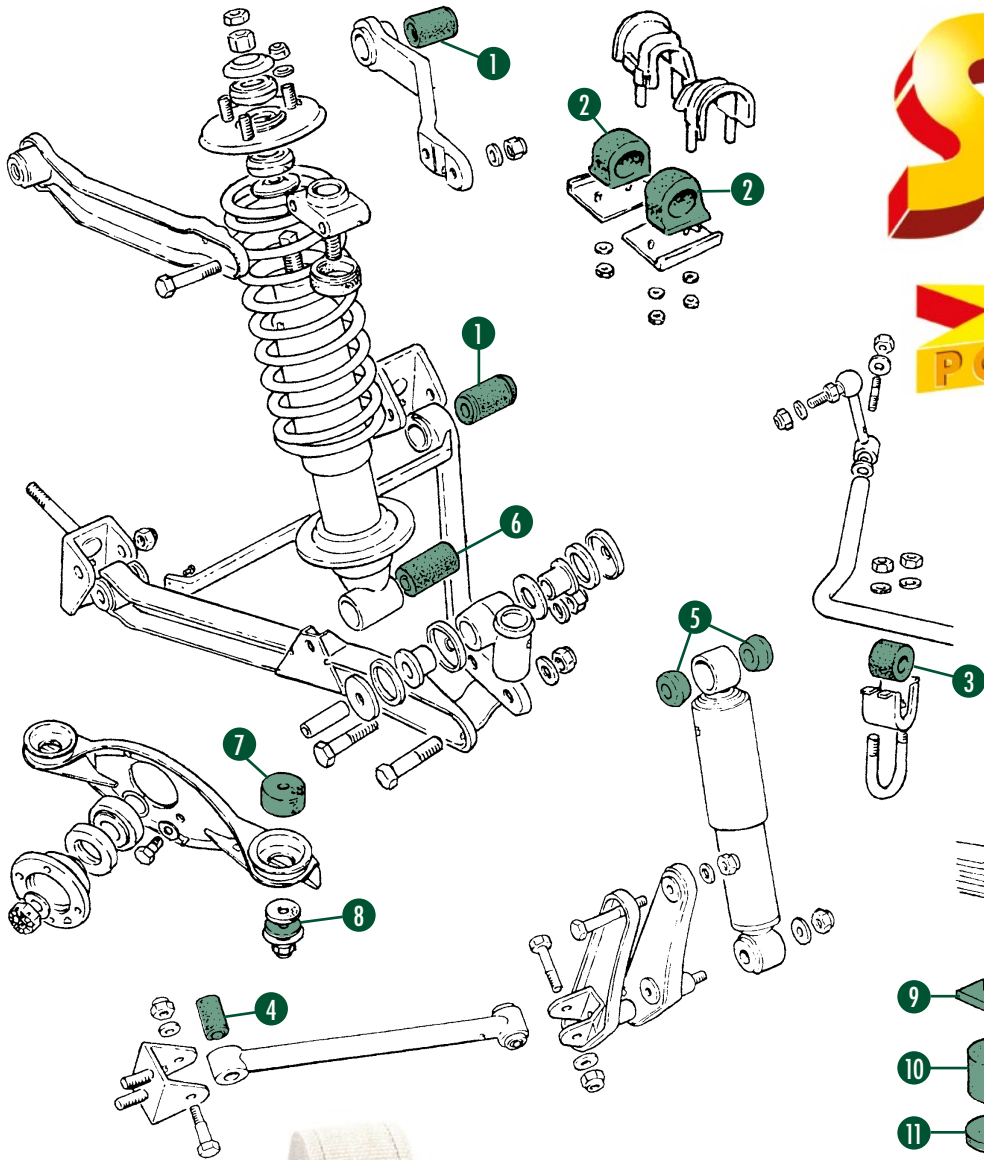
Automatic Control: Adjustable between 45 C° & 120 C° with 3 C° diff. Advanced heavy-duty design allows continuous on/off switching without a relay. A simple sensor entry using patented silicone rubber seal for capillary provides a watertight entry without cutting hose or drilling radiator.





SUPER FLEX[®]

POLYURETHANE



Ill. n°	Part n°	Qty	Description
1	041.506	8	Wishbone bush
2	043.307	2	Bush, steering
3	041.505	2	Bush, 7/8"
	041.504	2	Bush, 1"
4	041.506	4	Bush, radius
5	041.507	4	Top bush, shock
6	041.490	2	Bush, shock, lower
7	032.529	2	Upper mounting
8	032.528	2	Lower mount.
9	041.508	1	Pad, spring seating
10	032.529	2	Upper bush
11	032.528	2	Lower bush

- 9 • Easy to fit • Durable • Oil resistant
- 10 • Self lubricating • Improved location
- 11 • Long life • Tough • Non-perishing
- 2-Year road warranty
- Stainless steel sleeved (where applicable)

All 100% asbestos free



Part nr.
159.404

Exhaust wrap

5cm wide by 1500 cm long. Reduces the engine bay temperature with up to 45%. This temperature reduction is beneficial towards breathing. Cooler air and avoiding premature failure on costly engine components due to thermal deterioration.



Part nr.

172.076

Strap

Handy strap for securing the wrap around tubes and small parts.

Part nr.

159.406

Versa shield

60 x 18 cm
Universal heat shield to protect starter motors, carburetors, electrical parts, fuel pumps etc.. from heat. Can be cut to shape and secures itself using the velcro provided.



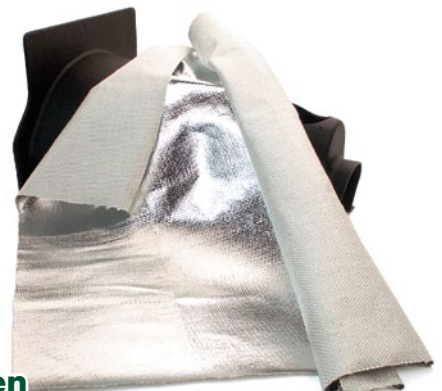
Part nr.

159.407

Cool-tape

3.5cm x 450 cm

Used for wrapping wires, small relay's, hoses etc.. in the engine bay. Very strong adhesive.



Part nr.

159.405

Heat screen

100 cm x 90 cm. Designed with many uses in mind. Heat Screen is capable of withstanding direct heat up to 500 C° on one side, while protecting against radiant temperatures up to 1000 C° on the aluminised side.



Part nr.

159.408

Heat shroud

90 cm long and covers from 2 to 3cm wire or hose. A fast and efficient solution for hoses, lines and tubes. Easy to use and install, the heat shroud utilizes a full length hook and loop material as a closure. Can be cut to length with a sharp knife.



Triumph Spitfire 1962-1980 Suspension and brakes



Part nr.
043.306

Rack mounting kit
This kit is made in alloy to avoid floating steering rack



Part nr.
042.584

Improved rear spring



Part nr.
042.111

SPAX, front shock absorber
adjustable hydraulic twin tube.



Part nr.
042.107

SPAX, rear shock absorber
adjustable hydraulic twin tube.



Part nr.
042.119

Anti-roll bar
7/8" MKIV, 1500



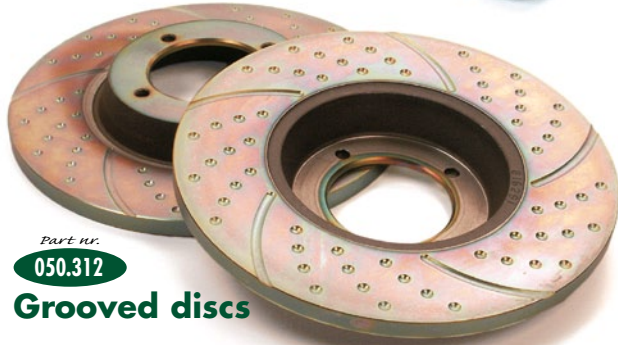
Part nr.
135.795

Clamp for servo unit



Part nr.
050.312

Grooved discs



Part nr.
135.794

Bracket for servo unit



Part nr.
053.305

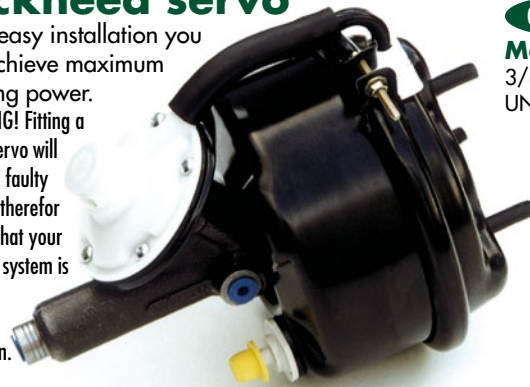
Improved braking with Green Stuff brake pads
Not MKII



Part nr.
053.082

Lockheed servo

After easy installation you will achieve maximum braking power.
WARNING! Fitting a brake servo will not cure faulty brakes, therefore ensure that your braking system is in good working condition.



Part nr.
052.406

Male union
3/8" UNF



Part nr.
052.405

Female union
3/8" UNF



Part nr.
052.479

In-line non return valve



Part nr.
011.315

Vacuum adaptor

for servo with non return valve, 5/8" UNF



Part nr.
011.073

Vacuum adaptor
for servo, 5/8" UNF



Part nr.
054.401

5 meters Brake pipe
made from copper & nickel, 3/16"



Part nr.
053.176

Easy bleed kit
Makes brake bleeding a one man job. Brake fluid can get out, but air can't get in!



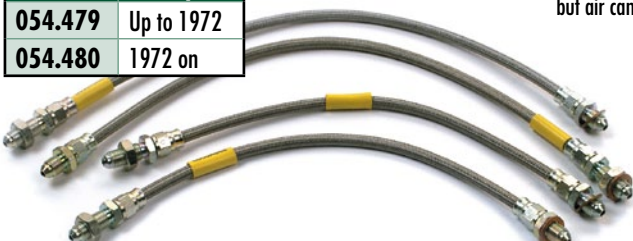
Part nr.
054.105

1 m. servo vacuum hose



Part n° Description brake hoses

Part n°	Description
054.479	Up to 1972
054.480	1972 on





MKIV and 1500 Full performance stainless steel exhaust systems



Ill. n°	Part n°	Description
1	110.066	Outer manifold piece
	110.067	Inner manifold piece
2	110.068	Two in one manifold
3	110.187	Straight silencer
4	110.186	Straight pipe
5	110.188	'Y'-piece
6	110.072	Rear sport silencer, two needed
7	111.153	fitting kit

outer and inner manifold **1**

7 Fitting kit

Illustration numbers follow the exhaust system from engine to rear silencer.

2 2 in 1 manifold

3 Straight silencer

4 Straight pipe

5 'Y' piece

6 Rear sports silencer
Sold per piece, order two

Heavy duty exhaust clamps



Part n°	Description	Part n°	Description
111.298	45mm clamp, U	111.075	39mm flat clamp
111.011	48mm clamp, U	111.076	42mm flat clamp
111.299	51mm clamp, U	111.077	45mm flat clamp
111.193	54mm clamp, U	111.163	48mm flat clamp
111.067	58mm clamp, U	111.078	52mm flat clamp
111.296	62mm clamp, U	111.208	55mm flat clamp
		111.207	60mm flat clamp
		111.297	62mm flat clamp





Conversion hub

Part n°	Description
042.128	RH hub
042.129	LH hub

Part n° **161.124**
Special nut

Part n° **186.034** **Copper grease**

With wire wheels your hubs & spinners get very hot. Normal grease becomes liquid and disappears, causing them to get stuck with a greater risk of damage. This copper grease withstands these high temperatures and makes it easy to remove spinners.

Part n° **198.050** **Luster Lace metal polish**

This is the best way to polish your chrome & stainless steel metal. It's so simple and effective. The polish is in the cloth that you wrap around your chrome wheels, etc... Test this simple way of polishing and you'll be astounded.

Also available:
198.054
Luster Pad for white metal

Octagonal spinner

Part n°	Description
042.079	RH spinner, 8 tpi
042.080	LH spinner, 8 tpi

3 eared spinner

Part n°	Description
042.083	RH spinner, 8 tpi
042.084	LH spinner, 8 tpi

2 eared spinner

Part n°	Description
042.071	RH spinner, 8 tpi
042.072	LH spinner, 8 tpi

Part n° **133.141** **Standard wheel wrench**

For continental spinners

Part n° **200.674** **Spoke spanner tool**

Part n° **185.678** **Wooden wheel wrench**

This wheel wrench is super soft for your spinners

Part n° **136.055** **British wheel wrench**

This is a superior tool when it comes to removing spinners

Part n° **136.056** **British wheel wrench**

This is a superior tool when it comes to removing octagonal spinners

Part n° **042.097** **Hammer (1.15 Kg)**

Made from quality copper and rawhide

Part n° **185.050** **Wire wheel brush**

Part n° **198.003** **Protective cover for spinner wrenches**

Part n° **198.003** **Chrome polish, 75 gr.**





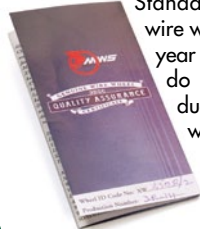
Wire wheels

Part n°	Description
046.016	Wire wheel, Silver painted, 13" x 4.5" - 60 spokes - 20,60 mm inset
046.017	Wire wheel, Chrome plated, 13" x 4.5" - 60 spokes - 20,60 mm inset
046.081	Wire wheel, Chrome plated, 13" x 5.5" - 60 spokes - 8,00 mm inset



Motor Wheel Service Quality Assurance

Each MWS wire wheel carries a quality assurance certificate. Wheels built with stainless steel spokes and nipples are covered by a full 2 year warranty.



Standard painted wire wheels have a 1 year cosmetic and 2 year structural warranty. These warranties do not cover the following: damage due to neglect in maintenance, during wheel/tyre mounting, balancing or installation on vehicles. Any product used for competition or fitted with non-standard tyres.



Part nr. 046.063 Bolt-on alloy wheel

'Minilite' style painted alloy wheel. Size: 5" x 13". Wheel fits all standard bolt-on models. Sold per piece.



Part nr. 133.476 Hub cap

sold per piece



Part nr. 161.270 Wheel nuts

Not incl. with wheel. Sold per piece



Part nr. 185.368 Triumph valve caps

Stainless steel set of 4

Part nr. 140.058 Stainless steel rims

set of 4 polished rims



Part nr. 161.365 Chrome plated nut

for wheel 046.044. sold per piece



Part nr. 198.020 White paint pencil



Part nr. 185.546 Chrome valve caps

Set of 4



Part nr. 161.476 Cap

nickle plated



Part nr. 198.031 Instant tyre dressing



Part nr. 200.702 Tyre pressure gauge



Part nr. 047.005 Tyre tube



Part nr. 198.019 Black Tyre paint



Part nr. 047.070 wire wheel rim band

Give's your tyre tube it's needed protection against spokes



Part nr. 187.012 Silicon spray

Chrome protector



Part nr. 198.033 8 polishing cloths



Part nr. 198.006 Clean wheels




Part nr. 185.254
Automatic 3 point safety belt
 'E' approved, made from solid steel thread covered with PVC
 (can be slightly different from illustration)



Part nr. 185.336
Static belt 3 point
 • Adjustable length • Meets B.S.I., EEC and other International Standards.
 • Complete fitting kit and instructions supplied.



Part nr. 284.092
Rear fog lamp
 styled with chrome rim




Part nr. 284.177
Reverse lamp
 styled with chrome rim



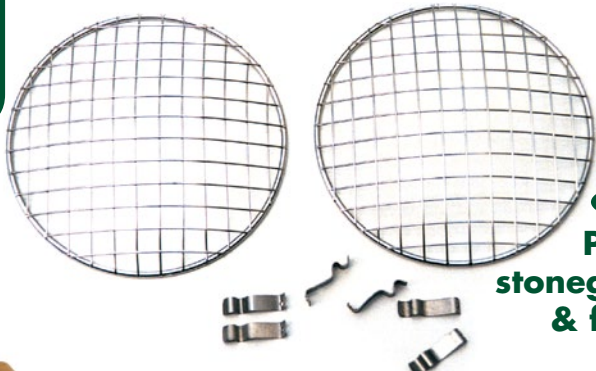
Part nr. 185.009
Pair Leather bonnet straps
 You will need these to keep your bonnet calm.



Part nr. 185.403
Leather bonnet strap
 Secure your bonnet during rallying and racing. Sold per piece.




Part nr. 185.007
Pair 7" stoneguards & fittings



Two & three hole mounting plates
 Our period reproduction mounting plates for warning lights & switches are made from polished stainless steel. The lights & switches are easily installed as the holes are also the sleeves. The holes have a diameter of 1/2", there are also holes in the top for mounting under the dashboard.

Part nr. 135.755
Two hole mounting plate

Part nr. 135.756
Three hole mounting plate



Part nr. 083.088
On-Off switch
 Please note to use relays from 50 watts onwards.

Part nr. 083.084
Lighting switch
 Three positions: off, side light & head light



Part n°	Description
083.159	Green lens
083.477	Red lens
086.187	Amber lens
086.370	Blue lens

Warning lights
 Available in four colours
 These warning lights have been specially chosen to suit British dashboards & fit in our mounting plates. Each light contains a bulb and two lucar terminals (earth & power).



Part nr. 086.782
Battery switch
 FIA approved

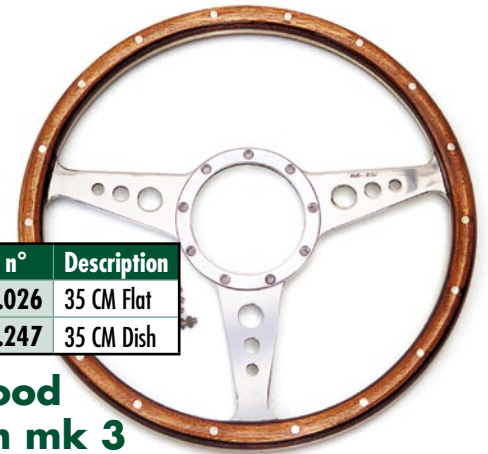
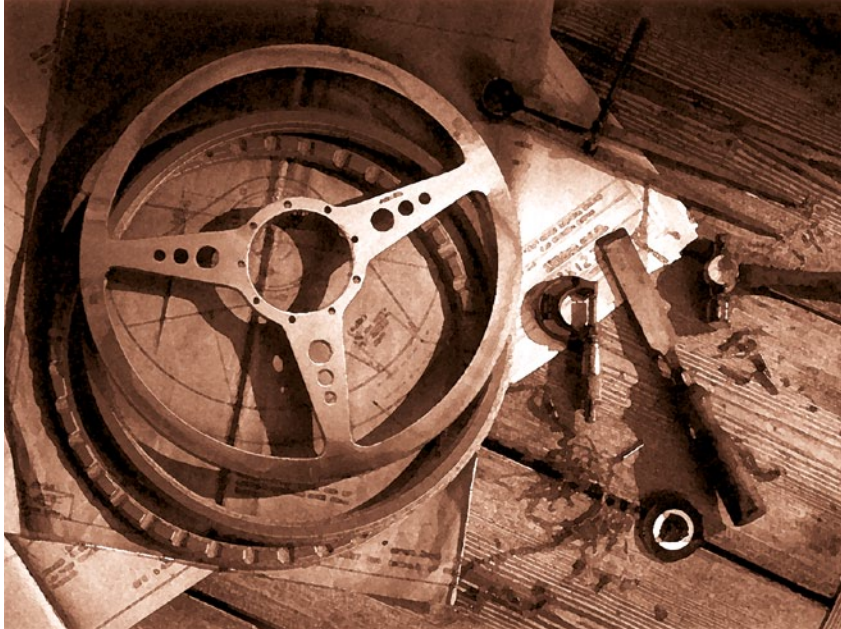




Moto-Lita steering wheels and accessories

These quality accessories are made from strong, finely finished solid wood. They are a must for the classical driver who likes that bit of extra finesse.

Since the early fifties Moto-Lita has been designing and manufacturing unique steering wheels in wood and leather. Each steering wheel is a piece of artwork built by British craftsman. The wooden steering wheels are made from carefully selected cross-laminated timber which is bonded and rivetted to a high quality hand polished alloy 3 spoke frame. They are then handfinished with a hardwearing deep lustre which is resistant to petrol, oil and the elements.



Part n°	Description
185.026	35 CM Flat
185.247	35 CM Dish

Wood rim mk 3 steering wheel

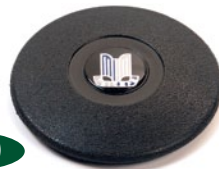


Part n°	Description
185.156	35 CM Flat
185.248	35 CM Dish

Leather mk 3 steering wheel

Moto-lita center boss

Part n°	Description
185.090	Spitfire up to 1978
185.091	Spitfire 1978 on



Part nr. **185.160**
Replacement centre cap with Triumph logo



Part nr. **185.557**
Small billet centre piece
With horn push & Triumph logo

Part nr. **185.326**
Antenna
Chrome plated 100 CM long & 130 CM cable



Part nr. **084.721**
Map reading light
Simple but functional free standing map light with flexible stem. To be connected to the existing wiring.



Part nr. **084.597**
Map reading light
Permanently mounted stylish chrome plated light. This lamp is for mounting on the dashboard and switches on and off by turning the lamp shade. To be connected to the existing wiring.



Part nr. **185.327**
Antenna cable
200 CM long



Part nr. **185.410**
Electric radio antenna
Automatic antenna that responds to the radio being turned on and off. No more pulling out or pushing in the antenna for protection against vandalism, car covers, car-wash etc. Requires 34 cm of depth to mount.





Part nr. **083.147**
Mechanical dual oil & water temperature gauge



Part nr. **086.171**
Mechanical water temperature gauge in C°



Part nr. **086.326**
Mechanical oil temperature gauge in C°



Part nr. **086.170**
Ammeter -60 > +60



Part nr. **086.168**
Mechanical oil pressure gauge



Part nr. **086.399**
Voltmeter



Part nr. **086.169**
Electric clock



Part nr. **168.052**
Leather washer oil pressure pipe to instrument



Part nr. **172.020**
Clip oil pressure pipe



Part nr. **122.206**
Special grommet oil pressure pipe



Part nr. **011.563**
Adaptor for pressure hose & switch
Will fit in the engine



Part nr. **086.401**
Oil temperature gauge adaptor



Part nr. **061.068**
Oil temperature gauge adaptor
Male 3/8" BSP
Female 5/8" UNF



Part nr. **083.562**
Connector 3-way pipe & switch



Part nr. **161.449**
Gauge adaptor male
3/8" BSP • 5/8" UNF



Part nr. **135.719**
Single 2" gauge bracket
in black wrinkle finish



Part nr. **168.039**
Copper packing



Part nr. **161.341**
Adaptor piece



Part nr. **086.172**
Oil pressure hose in PVC



Part nr. **135.720**
Double 2" gauge bracket
in black wrinkle finish



Part nr. **083.002**
Copper oil pressure pipe



Chrome blanking plugs



Part n°	Description
185.346	Pair of plugs 12 mm
185.347	Pair of plugs 22 mm
185.348	Pair of plugs 32 mm
185.349	Pair of plugs 40 mm



Part nr. **185.095** **Stainless steel threshold plates**
With laurel leaf design



Part nr. **185.179** **Pair aluminium doorstop plates**



Part nr. **132.927** **Number plate holder**
Polished stainless steel plate holder for front or rear. Sold per piece



Chrome tail pipe finishers



Part n°	Description
185.264	MKI, II • 1.1/2" (38mm)
185.108	MKIII • 1.3/8" (35mm)
185.068	MKIV, 1500 • 1.5/8" (41,3mm)



Part nr. **198.033** **8 polishing cloths**



Part nr. **198.003** **Metal polish**
This Autoglym product is perfect for chrome & metals.

Part nr. **185.252** **Walnut gear knob**
Nicely finished quality



Part nr. **185.036** **Wooden knob with logo**
Universal fitting with nylon bush inside the knob



Part nr. **024.540** **Gaiter bezel kit**
2 pieces



Part nr. **185.037** **Leather knob with logo**
Universal fitting with nylon bush inside the knob





Part nr.

140.304

MKI, II, III Luggage rack

This quality luggage rack has been finished in high quality chrome.

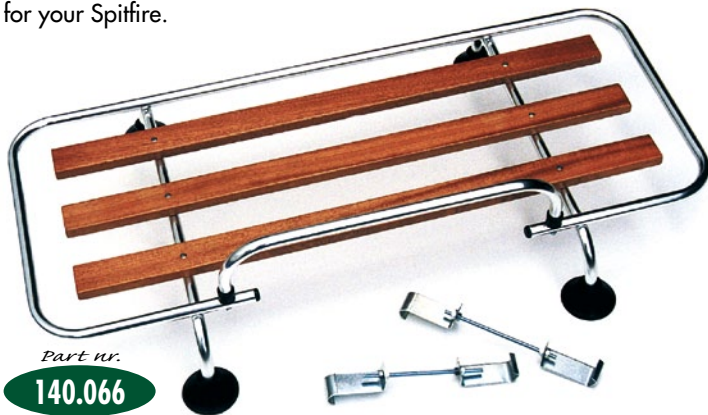


Part nr.

140.209

MKIV, 1500 Luggage rack

This luggage rack has been specially designed for Triumph Spitfires. It's low profile and quality finishing in polished stainless steel make it perfect for your Spitfire.



Part nr.

140.066

Universal luggage rack

Clamp-on aluminium frame with wooden slats, very British



Part nr.

151.673

MKIII, IV & 1500 Wind deflector

This wind deflector has been tested and it really helps. Test it yourself and you'll be astounded.



The wind coming from the back is reduced dramatically up to 140 km/h. These magnificent wind deflectors are supplied complete with fittings and a storage bag. For our German customers, please note that this is TÜV approved!!





indoor



Part nr.

159.359 Indoor car covers

Racing green. Made from 100% pure cotton, the inside has been brushed to give a soft flanel appearance. Although the material has been prewashed, we recommend washing in cold water and soft soap.



outdoor

Part nr.

159.323 Outdoor car covers

Grey colour. Moltex car covers are made from strong lightweight breathable waterproof material. Whether you are looking for an in-door car cover, or a way to keep the sun off your car during the day, or an all season outdoor car cover, a Moltex car cover is the best solution. These universal car covers come with a stowage bag and two elasticated ropes with four hooks to keep the cover securely in place. Make sure the cover doesn't move because of wind. Tighten with additional ropes or elastics to avoid the car cover making matt areas through friction!

- Superior water resistance • Protects from dust
- Protects from pollution • Keeps interior cooler
- Protects from bird & tree droppings
- Elasticized edge for snug fit • Light and easy to use
- Washable by hand and by machine (+40°)



Deluxe

Deluxe indoor car covers

Custom made car cover. Made from thick quality dark green acrylic-cotton fleece with yellow beading.

Very soft inside with an elasticated edge that ensures a perfect fit and also finished with a yellow piping. For indoor use only. Comes with stowage bag.

Part n°	Description
150.441	Spitfire MK1, II & III car cover
150.442	Spitfire MKIV & 1500 car cover



Part nr.

140.418

Universal badge bar

Straight bar 61 cm and 3/4" thick, comes with two adjustable feet



Part nr.

139.370

Screw kit



Part nr.

133.834

Fixing plate

Stainless steel, this plate will adapt any badge to the "Desmo" clamp



Part nr.

185.049

Desmo clamp



Part nr.

185.755

Chrome plated "GB" letters

With self adhesive tape. Degrease and remove recent autopolish before sticking this badge. The "B" for Belgium can be used separately. Each letter 85 mm x 55 mm



Part nr.

085.158

Chrome plated "RAC" badge

This high quality "RAC" badge will give your car it's finishing touch.



Part nr.

085.096

St-Christopher badge with British flag

Very authentic, fine detailed chrome plated badge with U.J. laid in jewellers enamel



Part nr.

185.705

Chrome plated "TR" badge

Chrome plated solid badge from the "Triumph Sports Owner" Association



Part nr.

185.169

Chrome plated U.J. badge

For your car, as a present, souvenir or award



Part nr.

185.198

Triumph badge

Chrome plated badge

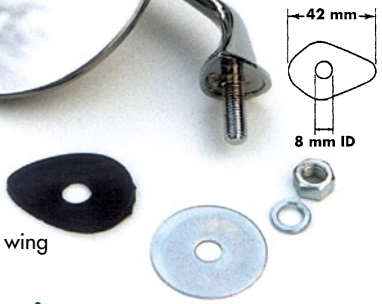


Door or wing mirror
(incl. all pieces as seen on photo)

Part n°	Description
141.011	RH bonnet, LH door mirror
141.012	LH bonnet, RH door mirror

Part nr.
122.072

Seal,
mirror arm to wing



Chrome plated & black painted door mirrors
(incl. all pieces as seen on photo)

Part n°	Description
141.112	RH chrome plated mirror
141.113	LH chrome plated mirror
141.114	RH black painted mirror
141.115	LH black painted mirror



Racing mirror

Part n°	Description
141.070	British made, convex glass (ill.)
142.403	Repro quality, flat glass



Part nr.

141.844 Lightweight alu racing mirror

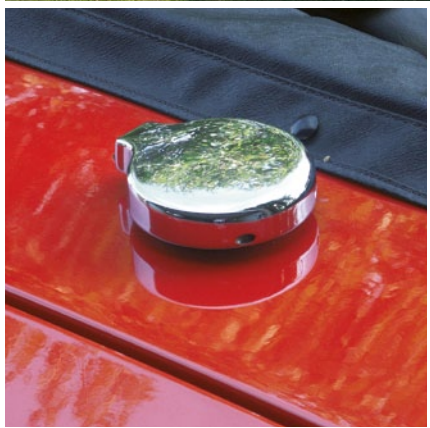
Made in England by the manufacturer who made the originals used in British sports cars between 1950-1970



Part nr.

141.238

Filler cap
Chrome plated with lock



Part nr.

141.237

Filler cap
Chrome plated without lock



Part nr.

141.092

Filler cap
Chrome plated with lock





Part nr.
185.709
Union Jack desk dressing flag

Part nr.
185.199
Union Jack Flag
70 x 100 cm



Part nr.
085.157
Union Jack sticker
For your car or as decoration & souvenir.
73 x 43 mm



Part nr.
085.149
Magnetic Union Jack
For your car or as decoration & souvenir.
measurements:
90 x 55 mm



Part nr.
161.054
Nut



Part nr.
185.002
Union Jack badge
Quality chrome with jewellers enamel. A masterpiece for your car. 60 x 35 mm

Part nr.
185.753
Pair Union Jacks
Self adhesive, 52 x 30 mm



Part nr.
185.038

Part nr.
185.206

Part nr.
185.710

Part nr.
185.210

Part nr.
185.787

KEY FOBS

Part nr.
085.362
Soft adhesive 'UJ' badge
27mm

Part nr.
085.363
Soft adhesive Triumph badge
27mm

Part nr.
185.219
'Union Jack' on pin
Fine chrome & jewellers enamel

Part nr.
185.185
Triumph pin

Part nr.
185.183
Triumph patch
75 x 75 mm



Part nr.
185.750
Triumph patch
75 mm



Part nr.
185.174
Union Jack patch
52 x 75 mm





Flying helmets



Part n°	Description
185.054	small
185.056	medium
185.059	large
185.060	Extra-large

Sheepskin flying helmet



Part n°	Description
185.255	small
185.256	medium
185.257	large
185.707	Extra-large

Leather flying helmet



Part n°	Description
185.675	small
185.676	medium
185.677	large
185.713	Extra-large

Millia leather flying helmet

Keeps your neck warm with it's extra long neck extension.



Quality blankets

Part n°	Description
185.323	Blanket in Scottish plaid Red lap
185.324	Blanket in Scottish plaid Green lap



Part nr.
185.061
Goggles
with safety glass



Part nr.
185.302
Adjustable cap
With "Triumph" logo





DENTS GLOVES since 1777

Today, as in the past, Dents gloves are still handmade in the traditional manner using the finest materials. (made in England)



Pittards black leather

Description	Part N°
Small	185.319
Medium	185.320



Pittards leather palm, Crochet in Cork colour

Description	Part N°
Small	185.315
Medium	185.316
Large	185.317
Xtra-large	185.318

High quality driving gloves

Drive in great style with these gloves, made using the finest craftsmen and materials.

laimböck®

Beaulieu gloves

Description	Part N°
Small	185.821
Medium	185.822
Large	185.823
Xtra-large	185.824



Monte Carlo gloves

Description	Part N°
Small	185.811
Medium	185.812
Large	185.813
Xtra-large	185.814



SLS Black leather gloves

Description	Part N°
Small	185.801
Medium	185.802
Large	185.803
Xtra-large	185.804



Lambswool scarves

Part n°	Description
185.305	Green tartan
185.306	Blue tartan
185.307	Cream white



Part nr.
185.314

Picnic blanket

Picnic Blanket in tartan, fastened to an nylon groundsheet. (this item may be different from illustration)





Part n° 086.604 800 mA automatic waterproof battery charger

- 100% sealed and all-weather safe, incl. wet and cold weather
- Sparkproof and reverse polarity protected.
- Safely charges any size battery through 200 amp-hour capacity.
- For all vehicle types: car, motorbike, boats, caravans...
- Led battery status display
- Check battery status before charging
- Bulk charge raises battery voltage to 14.4 Vdc
- Float/storage monitors and maintains fully charged battery for an indefinite period of time

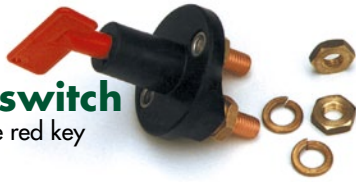


Part n° 185.333 Heavy duty starter cables

Put this pair of battery cables in the boot and you are always ready to help someone with a dead battery. These cables are 250 cm long and have strong clamps.



Part n° 083.174 Battery switch
With removable red key



Part n° 086.268 Lucas hazard flasher kit

Universal flasher kit for your classic car



The kit includes the switch, relay, mounting bracket and fitting instructions with detailed diagrams. Switch will also fit in a 15 mm diameter hole, as long as the panel is 1,5 mm or less.

Part n° 185.328 Reflector-triangle

Heavy duty, 'E' approved triangle. In case of any emergency, be seen and put this triangle at least 30 meters in front of the obstacle.



Part n° 185.329 Foot action tyre pump

High performance foot pump, 210 cubic cm air with each press



Part n° 185.331 First aid kit

Official FIRST AID needs 'E' Approved, comes in a strong plastic box to keep clean when stored.



Part n° 185.332 Fire extinguisher

'E' Approved, 1 Kgr dry chemical fire extinguisher. We hope you will never have to use it, but, just in case, have it with you.



Part n° 284.485 Bulb & fuse kit

Consists of 11 bulbs and 3 fuses. Kit is for standard main headlamps and **WILL NOT FIT H4 TYPES**. All lamps are foam protected and come in a handy box



Part n° 284.486 H4 Bulb & fuse kit

Consists of 13 bulbs and 3 fuses. Kit is for H4 main headlamps and **FITS H4 TYPES**. All lamps are foam protected and come in a handy box





AUTOGLYM

Simply outstanding

Part n°	Description
198.003	Chrome polish (tube 75gr.)
198.005	480ml car shampoo & conditioner
198.006	Clean wheels
198.007	Super resin polish
198.008	Cutting polish for badly damaged paint
198.009	Bumper care (rubber)
198.010	Vinyl & rubber care
198.011	Extra gloss protection
198.012	Glass protection
198.013	Interior shampoo
198.014	Instant tar remover
198.031	Instant tyre dressing
198.033	8 x polishing clothes
198.035	Fast glass cleaner (spray)
198.039	Leather care
198.057	Engine cleaner 1 liter
198.073	Leather cleaner
198.076	High Definition wax with sponge/cloth
198.077	Odour eliminator

Part n°
198.070

Autoglym Aqua Wax

Just wash your car, apply Aqua Wax & buff to a perfect finish using the supplied cloth. Saves time as there is no need to dry car between washing & polishing.

Part n°
185.046

Connolly hide care only

Use this at least once a year

Part n°
185.551

Connolly hide care kit

For cleaning & preserving hides, upholstery and all leather clothing

Part n°
198.050

Luster Lace metal polish

The best way to polish your chrome & metal. It's simple and effective because the polish is in the cloth. Test this simple way of polishing & you'll be astounded.

Part n°
198.060

Hydra blade

Effortless removal of shampoo rinse water

Part n°
185.343

Car wash handshoe

Perfect for washing your classical

Part n°
185.351

Car duster

This 100% cotton dusting mop has been treated to trap dust. Shake out and it's ready to use again.
DO NOT WASH OUT

Renovo soft top cleaning products

Part°	Description
198.063	Plastic window polish
198.064	Vinyl (pvc) soft top cleaner
198.065	Canvas (fabric) soft top cleaner
198.066	Vinyl (pvc) soft top ultra proofer
198.067	Canvas (fabric) soft top ultra proofer
198.068	Canvas (fabric) black reviver

This excellent product is specially formulated for soft tops. First use cleaner and then the proofer. For canvas soft tops the black reviver should be used before the ultra proofer.

Part n°
185.334

Chamois

We offer the best real natural chamois. These are specially made for the car industry having larger dimensions than most and are thick and very soft. Approx. 40 x 62cm. Made in England of course.

Part n°
185.335

Professional wringer

Heavy duty industrial quality wringer for chamois, towels etc

Specifications: Rustproof steel frame, maintenance free rollers and bearings, adjustable pressure over the entire length of the rollers for uniform water removal. The complete wringer machine has two strong clamps for easy attaching.





Wax Oyl Anti-Corrosion
2.5L Starter kit

Part nr. 186.087

Part nr. 186.084 **2.5 L. Wax Oyl**
refill can



Part nr. 186.080 **400ml Spray**



Part nr. 186.151 **"Fertan" rust killer**
Pumpspray, 250ml



Part nr. 187.011 **Tube glue gel**
This tube of all purpose glue is perfect for sticking small trim parts.

Part nr. 187.009 **Glue gel pot 625 gr.**
This very strong all purpose glue is perfect for sticking panels, carpets and other trim parts.



Part nr. 198.069 **Wet Protect**
High performance spray that protects electronics from moisture.
Long lasting protective water resistant coating when used.
40 ml.



Part nr. 187.010 **Glue spray**
This strong spray glue can be used for all purposes.

Part nr. 198.034 **ClearVue Rain Kleer**
Raindrops just blow off, keeps windscreen clear even without windscreen wipers.
Doesn't smear or damage.



Part nr. 185.325 **Pair mud flaps**



Part nr. 132.646 **Oil drip pan**
Is useful to put under your lawn-mower, British bike or even under your classic



Part nr.
200.591

Force speed oil can

Metal with black laquer



Part nr.
053.177

1L. Dot 5 high performance brake fluid

For race & rally



Part nr.
053.039

1L Dot 4 high quality brake fluid



Part nr.
053.018

1L Silicone brake fluid



Part nr.
186.034

Copper grease

With wire wheels

your hubs and spinners get very hot. Normal grease becomes liquid and disappears, causing them to get stuck with risk of damage. This copper grease withstands these high temperatures and makes it easy to remove spinners.



Part nr.
053.177

1L. Dot 5 high performance brake fluid

For race & rally



Part nr.
053.039

1L Dot 4 high quality brake fluid



Part nr.
053.018

1L Silicone brake fluid



Part nr.
186.034

Copper grease

With wire wheels

your hubs and spinners get very hot. Normal grease becomes liquid and disappears, causing them to get stuck with risk of damage. This copper grease withstands these high temperatures and makes it easy to remove spinners.



Part nr.
052.117

Rubber grease

A quality product for greasing all rubber, especially brakes & clutch



Part nr.
198.036

Castrol cleaner

This great cleaner is perfect for cleaning engines & mechanical parts



Part nr.
198.044

Water Wetter

This super coolant helps control overheating. Your car can run up to 7°C. cooler. 355ml.



Part nr.
186.040

Castrol DWF spray, 400 ml

Helps loosen rusty parts or bolts, gives alubricating coating and protects against corrosion



Part nr.
187.012

Castrol silicon spray, 400 ml

For protecting and waterproofing ignition systems and locks, and can be used to protect chrome wire wheels or window channels etc..



Part nr.
198.016

300ml spray, gasket remover

Removes paper, paint, gasket etc.



Loctite gasket products

Part nr.
016.627

Loctite tube, 3 gr.



Part nr.
016.269

200 ml. Form-A-Gasket Nr. 1, gasket cement tube

Use on both sides of the gasket or direct on the surface.



Part nr.
198.017

Form -A- Gasket Nr. 1372, 200 ml gasket cement tube

Use on both sides of a gasket or direct on the surface. Specially for high temperatures up to 315°C. Also usefull for exhaust pipe fittings.





How much & what oil you need

Models	Engine	Gearbox	Axle
All Spitfire's 1962-1980	XI 20W/50 - 4 L.	Gearbox - EPX90 - 0.85 L. Gearbox O/D - EPX90 - 1.35 L.	Hypoid 85W/140 - 0.6 L.



Part nr.

300.501

HPR30 20W/60, 5L

Replaces SAE 30 and 20W/50.

A mineral oil formulated for most post-war classics, particularly high performance vehicles such as MG, Porsche, Jaguar and Triumph.

Suitable for cars running six volt electric systems, where starter motor cranking speeds require an engine to turn over with minimal drag. Meets API SJ/CF.



Part nr.

300.118

Hypoid gear oil 85W/140, 1L

Replacing EP 90

This oil is primarily for post-1960 cars requiring a higher viscosity than Hypoid 80W/90.

Also for large commercial vehicles. Exceeds GL5 specifications.



Part nr.

300.112

Gearbox oil 40, 1L

Replaces EP 90 and SAE 40

For use where oils of EP80, EP90 and 30 and 40 SAE rating were originally recommended. Suitable for older boxes of either straight cut, synchromesh, epicyclic design, or for overdrives (such as Laycock), both oils contain no EP additives which can cause serious damage to gearboxes containing yellow metals, or friction modifiers which can cause slipping in overdrives and preselector gearboxes.

Part nr.

300.509

Running-In oil, 5L

Running-In Oil is designed to promote and control the bedding in process of newly rebuilt engines. It should be used for the first 300 miles and then replaced with the appropriate grade of HPR oil.



Part nr.

330.060

Cam assembly lube, 40 gm

For lubricating engine components during assembly not for use on pistons or in the ring area.



Part nr.

330.070

Damper oil, 125 ml

Specifically formulated for SU carburettors (both damped and non-damped) of all ages and certain Stromberg carburettors.



Part nr.

200.758

Penrite oil pourer



How much & what oil you need			
Models	Engine	Gearbox	Axle
All Spitfire's 1962-1980	XI 20W/50 - 4 L.	Gearbox - EPX90 - 0.85 L. Gearbox O/D - EPX90 - 1.35 L.	Hypoid 85W/140 - 0.6 L.



Castrol Classic Oils

Established in 1899, originally as CC Wakefield, Castrol launched their first lubricant for cars in 1906 and have been at the leading edge of motor technology ever since. Choosing the right engine oil for your veteran, vintage or classic vehicle is essential for ensuring peak running condition and maximum wear protection for your engine. To make this decision easier Castrol has reintroduced their range of famous oil brands, but now using the latest technology, low detergent base oils and in the appropriate viscosities on which veteran, vintage and classics were designed to run. Historically many motor manufactures recommended Castrol by name in their original vehicle handbooks and now today's owners may continue to follow those original recommendations.



Castrol Jugs

Part°	Description
200.749	Quart/1.137 L. oil pouring jug
200.735	Pint/0.568 L. oil pouring jug
201.048	half pint/0.284 L. oil pouring jug

Part nr. 186.021
Cartridge Castrol LMx grease (Bearings)



Part nr. 300.522



Part nr. 085.381
10" sticker



Part nr. 185.749
Castrol patch, dia. 7 cm



Part nr. 200.604
Grease Gun



Part nr. 186.031
Cartridge Castrol LM grease

Castrol Classic 20W/50

1 gallon (4.5 Liter)

For pre-1980 Modern Classic Cars, Castrol Classic XL 20W/50 is a low detergent traditional multigrade engine oil, ideally suited to older technology modern classics.

Compared to modern engines using sophisticated oil pumps to deliver higher pressures with low viscosity oils, modern classic vehicles have wider tolerances and require higher viscosity multigrade oils to operate at the optimum performance level. Castrol Classic XL 20w/50 offers excellent oil consumption and a very high level of engine wear protection. Castrol Classic XL20w/50 engine oil is a conventional multigrade engine oil, ideally suited to older technology or high mileage modern Classic cars specifying an SAE 20W/50. Classic XL20W/50 contains a high quality base oil and includes additives specially formulated for classic vehicles. Benefits; Improved oil consumption and oil pressure, Reduced engine noise and Slower drain down when not in use.



Part nr. 186.159
4 L. anti-freeze
Pre-mixed all season protection coolant up to -25°

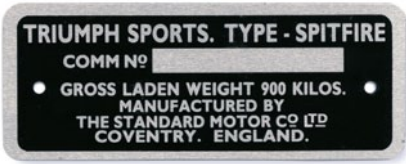




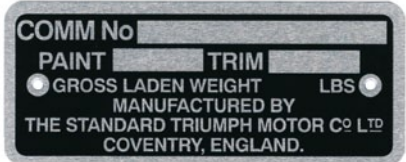
Triumph Spitfire 1962-1980 Plates and labels



Part nr. **085.064** body number plate, blank



Part nr. **085.263** Chassis plate MKI, II



Part nr. **085.141** Chassis plate MKIII, IV



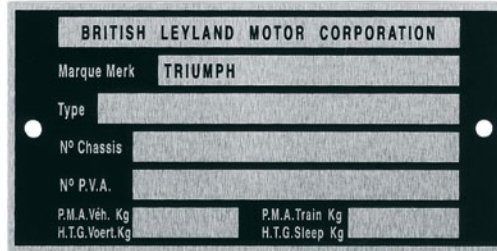
Part nr. **085.171** Chassis plate 1500

Made in England

Part nr. **085.408**



Part nr. **085.212** Chassis plate 1965-75 for cars made in Belgium



Part nr. **152.034** Set of 10 rivets

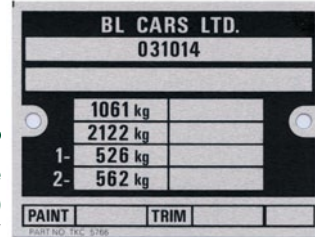


Part nr. **152.109** Set of 10 studs

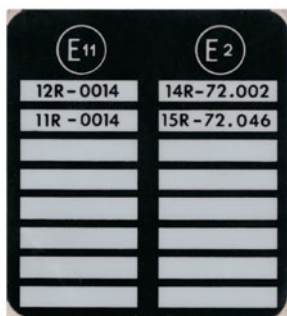


Set of **081.067** 4 cable indicators

Part nr. **085.267** Chassis plate 1978-80 'BL CARS LTD'



LUCAS ENGLAND PATENTED



Part nr. **085.268** 'E' label



Unleaded Gasoline
Part nr. **085.107**



Part nr. **085.277** Positive earth



Triumph
DOLOMITE 1300
DOLOMITE 1500
DOLOMITE 1500 HL
SPITFIRE

VEHICLE EMISSION CONTROL INFORMATION
TRIUMPH MOTORS
BRITISH LEYLAND UK LTD
COVENTRY ENGLAND

ENGINE SETTINGS

FIRING ORDER	1, 3, 4, 2
ROCKER CLEARANCE (COLD)	.010" (.25mm) INLET & EXHAUST
CONTACT BREAKER GAP	.014" .016" (.35 - .40mm)
DWELL ANGLE	46° - 56°
IGNITION TIMING (IDLE)	10° B.T.D.C.
IGNITION TIMING (STATIC)	10° B.T.D.C.
SPARK PLUG TYPE	CHAMPION N12Y
SPARK PLUG GAP	.024" - .026" (.61 - .66mm)
IDLE SPEED (NEUTRAL)	650 - 850 R.P.M.
FAST IDLE SPEED (COLD)	1100 - 1300 R.P.M.
IDLE MIXTURE (% CO)	2.5 - 4.5%
PART N°	UKC 8546

Part nr. **085.275** Engine setting label, 1500

Part nr. **085.041** 'Lucas' wiring loom labels



Part nr. **085.220** 'AC' Air filter MKI, II



Part nr. **085.185** 'Unipart' air filter label

Part nr. **085.278** when reset trip counters



Part nr. **085.082** Lucas coil



Part nr. **085.013** Rocker cover label



Part nr. **085.168** Girling label



Lucas battery label



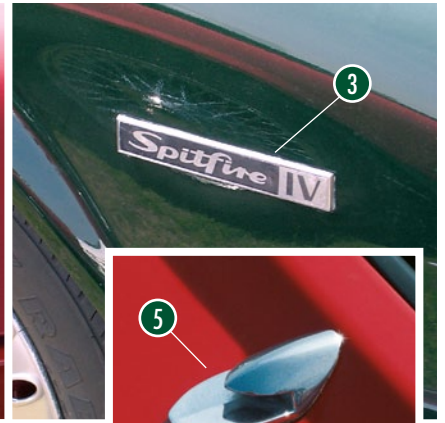
Part nr. **085.042** Tudor sticker

Part nr. **085.156** Black on transparent

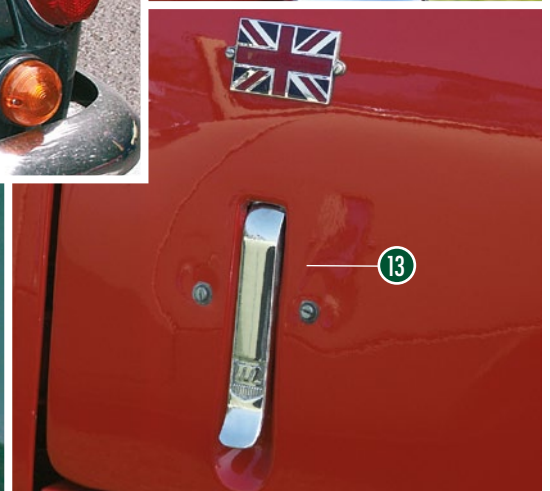
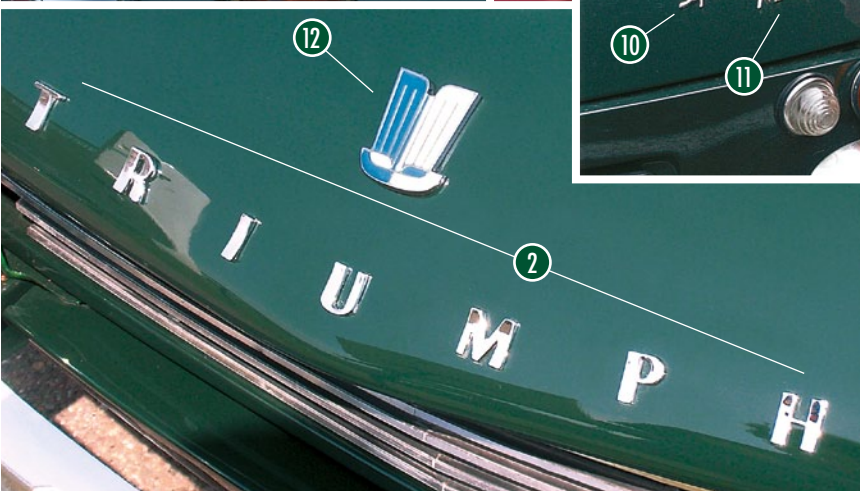
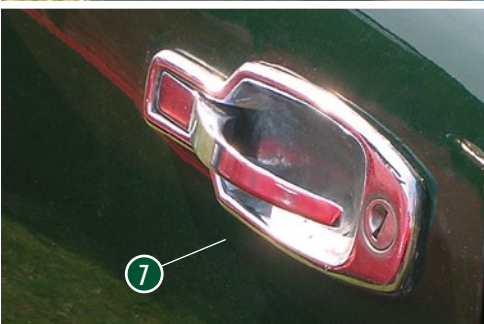


Part nr. **085.080** Windscreen label





Ill.n°	Part n°	Description	Application
1	141.087	Boot handle	MKI, II, III
2	141.103	Letterset, front & rear	MKI, II, III
3	141.234	Rear wing badge	MKIV
4	141.581	Badge only	
5	141.614	Retaining hook	MKI, II, III
6	141.101	Pair boot lid hinges	MKI, II, III
7	141.241	Pair chrome door handles	MKIV, 1500
8	141.104	Overdrive badge	if fitted
9	141.108	Spitfire4 badge	MKI
10	141.107	Spitfire badge	MKII, III
11	141.105	Mark3 badge	MKIII
12	141.466	Bonnet badge	MKI, II
13	141.102	Bonnet catch	All years





Part nr.

162.507

Screw set, 3/16

Set of 40 pieces: 10 screws, 10 nuts, 10 plain washers & 10 spring washers



Part nr.

152.049

Set of chrome panel screws & cups

Set of 120 pieces: 60 screws & 60 cups



Part nr.

152.110

Set of screws & nuts

Set of 20 pieces: 10 screws & 10 nuts 6-32 UNC



Part nr.

162.762

Screw set, 5/16 UNF

Set of 40 pieces: 10 screws, 10 nuts, 10 plain washers & 10 spring washers



Part nr.

162.156

Set of black panel screws & cups

Set of 50 pieces: 25 screws & 25 cups

5/16"

1/4"

10-32



Part nr.

135.629

Screw set, UNF • 3/16", 1/4", 5/16"

Set of 160 pieces: 40 screws, 40 nuts, 40 plain washers & 40 spring washers



Part nr.
200.750

Exhaust gas analyzer

Tune your engine to peak performance with this quality gas analyzer



Part nr.
200.679

Pair of "Midlock" carburettor testers

Comes complete with a universal adaptor



Part n°	Description
200.680	for SU 1 1/4"
200.681	for SU 1 1/2"

"Midlock" Adaptor

Sold individually



Part nr.
200.748

Colortune from Gunson

With it's glass top spark plug you can observe the colour of the combustion in the chamber



Part nr.
200.573

Set of tools to tune up your SU

This kit includes a mixture test gauge, rods to set the float level, jet wrench, a jet centering tool and instructions.



Part nr.
200.652

"Lucas" combination tool

Distributor screwdriver, feeler for contact points & spark plug adjuster



Part nr.
102.302

SU tool

3 pieces



Part nr.

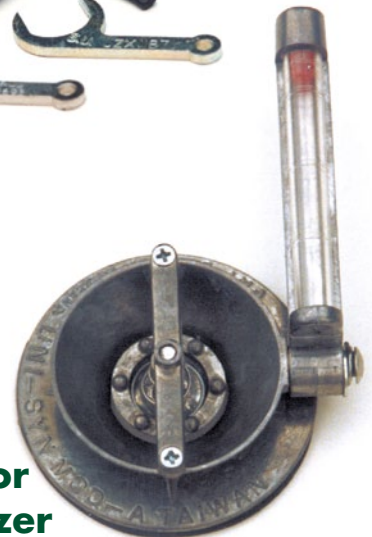
102.217 SU tool

Jet adjusting spanner



Part nr.
200.572

Carburettor synchronizer





Part nr.
200.452
Spark plug socket
With insulated T-handle



Part nr.
200.446
Valve spring lifter



Part nr.
200.747
Clik-adjust
This micrometertappet adjuster makes your life easier.



Part nr.
200.711
10 blade imperial gauge
Contents: 1.1/2, 2, 3, 4, 6, 8, 10, 12, 15 & 25 thousand. 4" long taper blades hardened and polished for long life.



Part nr.
200.449
Valve grinding paste



Part nr.
200.805
Valve grinding stick
Comes with coarse & fine grinding paste



Part nr.
200.390
Oil service spanner



Part nr.
200.453
Oil filter remover



Part nr.
200.391
Car circuit tester
Especially for car electrics. Comes with pointed probe, cap cover, connecting lead & alligator clip



Part nr.
200.450
Piston ring compressor
Made of spring steel, stepless adjustment C/W hex. key wrench



Clutch centering tool

Part n°	Description
200.615	Spitfire 1300cc
200.616	Spitfire 1500cc



Part nr.
185.019
Punch & bed kit

Part n°	Description
200.436	7mm diameter
200.437	8mm diameter

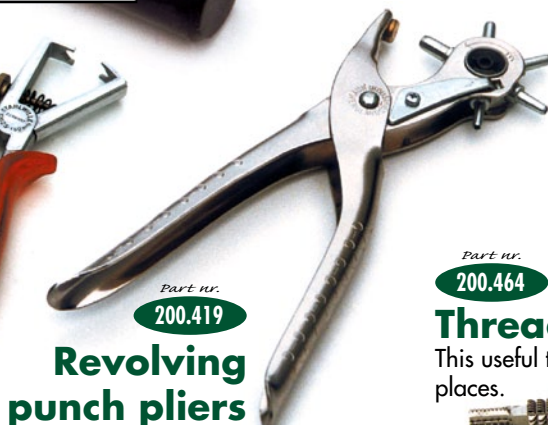


Part nr.
200.435
Spare mill

Part nr.
200.434
Spotwell mill
With interchangeable mill (10mm dia.) & adjustable mill depth



Part nr.
200.418
Wire stripping pliers
Brass setting screw & locknut coil spring for wires up to 5 mm



Part nr.
200.419
Revolving punch pliers



Part nr.
200.702
Tyre pressure gauge



Part nr.
200.464
Thread restoring file
This useful tool will repair damaged or rusty threads in difficult places.

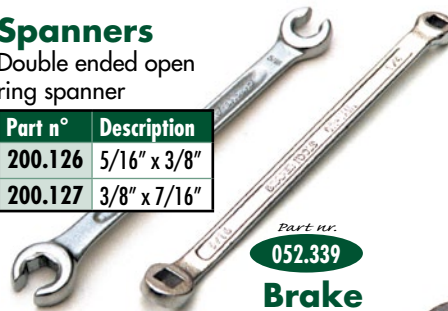

 Part nr.
200.047

High quality combination spanners
7/16" to 7/8"

Spanners

Double ended open ring spanner

Part n°	Description
200.126	5/16" x 3/8"
200.127	3/8" x 7/16"


 Part nr.
052.339

Brake adjusting tool


 Part nr.
200.002

High quality open spanner set
1/4" to 1.1/4"


 Part nr.
200.674

Spoke spanner tool


 Part nr.
200.438

Universal ball joint separator

 Part nr.
200.800

Set of expert quality AF sockets

Set of 1/2" square drive 12 point sockets manufactured from chrome vanadium steel. Hardened, tempered, chrome plated and polished for corrosion protection. Contents: 5/16" to 1.5/16" AF.


 Part nr.
200.806

Economical sliding gauge

Gauge for measuring components, metric and imperial.

POZIDRIV Chrome alloy steel screwdrivers

Part n°	Description
200.352	N°2
200.353	N°3



POZIDRIV


 Part nr.
053.176

ViziBleed bleeder

Easy bleeding of brakes & clutch


 Part nr.
200.368

Tap & Die set

17 pieces,
1/4", 5/16",
3/8", 7/16",
1/2"


 Part nr.
200.746

Eezi Bleed

Makes bleeding easy without any pedal pumping. Uses your tyre pressure to bleed brakes, clutch etc.


 Part nr.
200.737

Bending tool

The best tool for bending your brake pipe set etc.



T-type ratchet tapwrench

Part n°	Description
200.458	Cap. hand taps 1/8" up to 1/4"
200.459	Cap. hand taps 1/4" up to 1/2"


 Part nr.
200.588

High quality robust rivet tool


 Part nr.
200.442

Precision rule

Made from hardened stainless steel with a clear graduation in Inches & cm



Owners handbooks

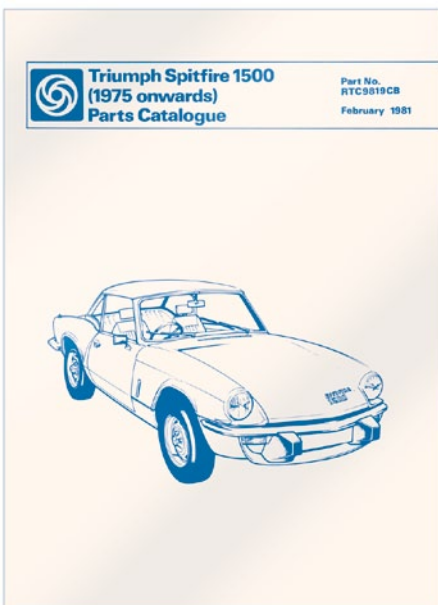
As supplied with all new Triumphs. With detailed and practical information about your Triumph such as putting up the soft top and routine maintenance etc. All illustrations and printing B&W except covers. Check for availability.

Model types	English	French	Dutch
MK I, II	190.256		
MK III	190.257		
MK IV	190.258		190.373
1500	190.260	190.366	

Factory workshop manuals

Reprints of the original workshop manuals. 290 x 210 mm, B&W

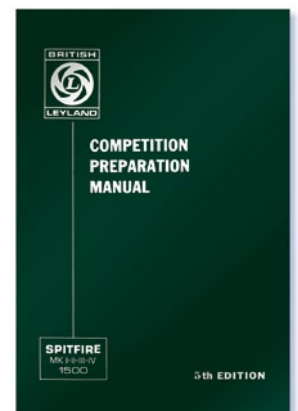
Partn n°	Description	Language
190.037	MKI, II, III	English
190.358	MKIV	Italian
190.054	MKIV	Dutch
190.055	MKIV	French
190.038	1500	English
190.422	1500	Dutch



Part n°
190.157

Pocket size workshop manual

For Spitfire MKIV & 1500, English, 215x140mm, B&W, 185 pages.

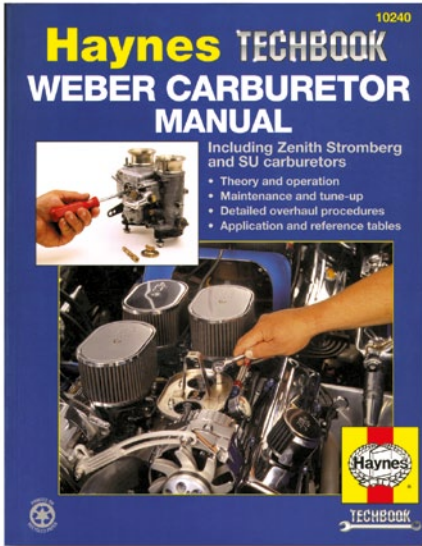


Part n°
190.262

Spitfire competition preparation manual
published by British Leyland. Small in size but plenty of information. 210x143mm, B&W, 64 pages.

Part n°
190.039

Original Spitfire 1500 parts catalogue reprints
290 x 200 mm, B&W, approx 300 pages.



Part nr.
190.428

Haynes Techbook: Weber, Stromberg & SU carburetors

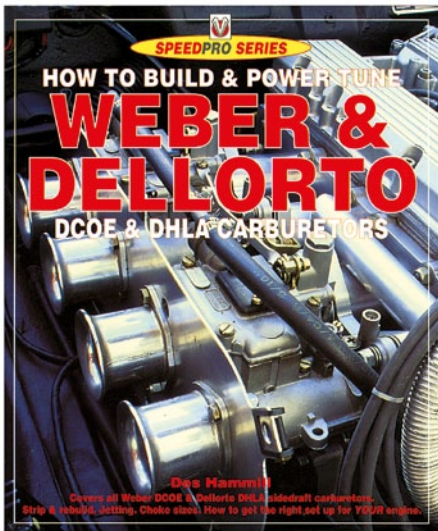
This is one of the most complete books on carburetors. Theory & operation is explained in great detail with photo's & illustrations. With detailed overhaul procedures, maintenance and tune-up info. Also with application & reference tables . 272 x 212 mm, approx 400 pages with B&W illustrations & photos.



Part nr.
190.225

SU carburetors: tuning, tips and techniques

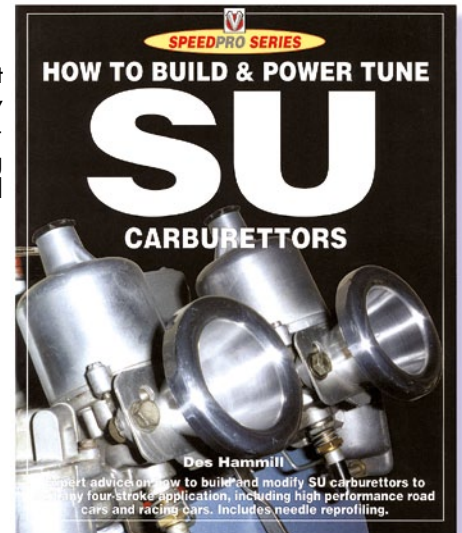
Most mechanics and enthusiasts struggle with setting the twin SU carburetors correctly. This book and a bit of practice will solve the problem. It is very important for your engine that the carburetor tuning is correct. This book also covers all SU Fuel pumps. 190 pages



Part nr.
190.587

How to build + power tune SU carburetors

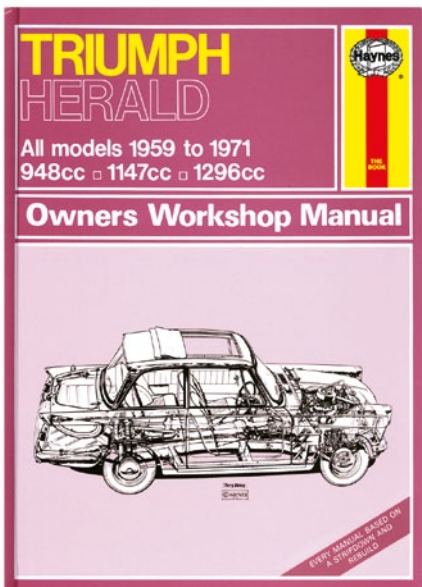
(by Des Hammill) This book gives you an expert advice on how to build & modify SU carburetors to suit any four-stroke application, including high performance road cars and racing cars. Includes needle reprofiling. 250x207mm, 64 pages with B&W illustrations



Part nr.
190.416

Weber & Dellorto

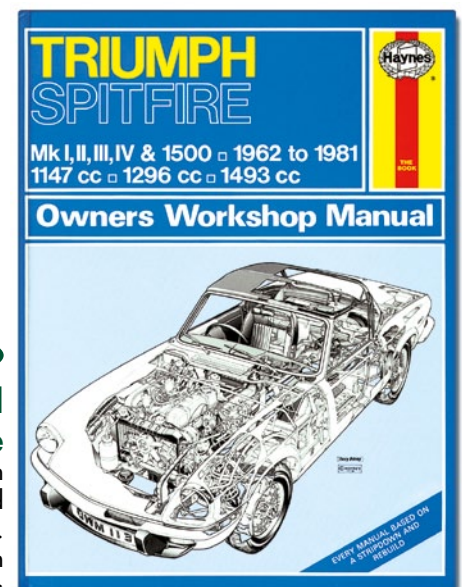
How to build & power tune Weber & Dellorto DCOE & DHLA carburetors. All you could want to know about the world's most famous and popular side-draught carburetors. Strip & rebuild, tuning, jetting, choke sizes and an application formula gives the right set-up for your car. 250x207mm 96 pages, over 100 photographs and line illustrations.



Part nr.
190.693

Haynes Workshop Manual Triumph Herald

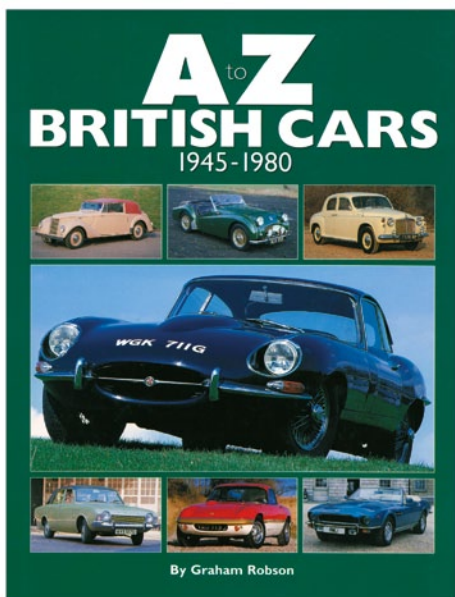
A complete workshop manual based on a stripdown and rebuild. Well illustrated with many photographs and good drawings. 280x215mm, approx 200 pages with B&W illustrations



Part nr.
190.040

Haynes Workshop Manual Triumph Spitfire

A complete workshop manual based on a stripdown and rebuild. Well illustrated with many photographs and good drawings. 280x215mm, approx 200 pages with B&W illustrations



Part nr. 190.793 A-Z of British Cars 1945-1980

(Graham Robson)

This is the largest and most detailed encyclopaedic study ever completed of all models of cars produced by British manufacturers in the period.

Just over 700 individual models are covered in text entries totalling more than 250.000 words. Full specifications and performance figures are given, along with production numbers and dates. All the entries are illustrated with contemporary photographs from the archives overall views, model variants, interiors, dashboards, engine bays, and cars rallying or racing. This wonderful range of photos not only provides essential information but also builds up a panoramic view of motoring and the development of the car in the period. Hard Cover, 198 x 255 mm, 496 pages, 1400 b&w pictures

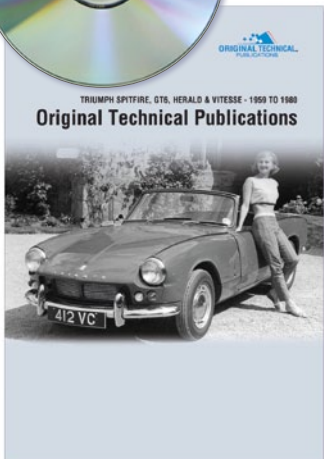
By Graham Robson



Part nr. 190.731 Triumph (by Bill Piggott)

This book covers the Triumph make in general. A varied content incl. tech.info, driving impressions and buying hints. with 150 illustrations. 270 x 210 mm, 160 pages

Part nr. 192.139 Original Technical Publications Triumph Spitfire, GT6, Herald & Vitesse (1969-1980)

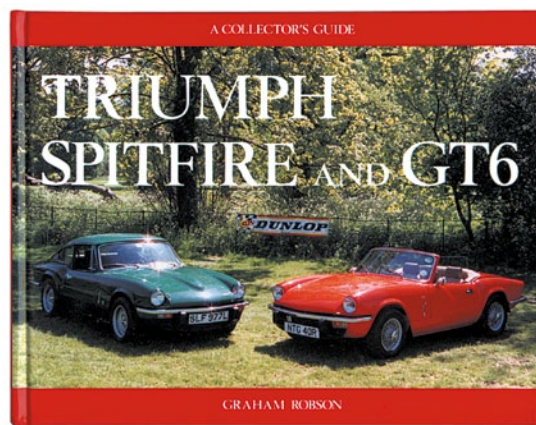


These Original Technical Publications are very comprehensive DVD's containing the information provided when the cars were new.

These very complete DVD's contain the original parts catalogues, service publications, technical information, owner's literature, supplementary model and service information: photo gallery, downloads and various handy links.

Requirements:

DVD reader, Windows 2000 or later & Mac OS X 10.4 or later, PDC viewer. The Technical publications are protected by a PDC format. Upon registration you will receive the necessary links and guidance to install the necessary software.



Part nr. 190.151 Triumph Spitfire & GT6 (by Graham Robson)

Very nice book with the Spitfires history from the very beginning. Explains in great detail how the Spitfire come to evolve. Covers Spitfire' history of racing and rallying, American specs., GT6's and boasts plenty of original factory photos. This book is a must for collector and owner. 240x190mm, 128 pages with many illustrations.





BELANGRIJKE PUNTEN

De verkoopvoorwaarden zijn op de achterzijde van de facturen gedrukt en bevinden zich op onze web site. Aanpassingen worden in de recentste catalogus of prijslijst gezet en op onze web site bijgewerkt. Als u bij ons bestelt, gaat u akkoord met onze verkoopvoorwaarden (en aanvaardt u ze). U mag altijd een nieuwe publicatie aanvragen. De recentste publicatie zal alle vorige vervollenden en vervangen. Gelieve de belangrijkste punten hieronder vermeld te lezen.

ONZE VERKOPERS

We zijn geen getrainde technici en zijn niet aansprakelijk voor fouten die we zeggen of schrijven. We zijn autofanaten die u willen helpen. Voor technische uitleg bevelen we u de boeken uit de lijst in de catalogus aan.

ONZE KATALOGI

Geen inspanning was ons te groot de juiste informatie in onze catalogi en op onze web site te zetten. We kunnen niet aansprakelijk gesteld worden voor fouten of onnauwkeurigheden i.v.m. de specificering, de prijsbepaling of de onderdeelnummers. We hebben het recht een fout te verbeteren. De illustraties en foto's in onze catalogen en op onze web site zijn slechts voorstellingen en er kunnen qua vorm kleine verschillen optreden, maar de geleverde producten blijven qua kwaliteit en bestemming hetzelfde.

ONZE ONDERDEELNUMMERS EN PRIJZEN

Alle onderdelen (of sets van onderdelen) kregen van ons een stuknummer. De vereiste hoeveelheid (QT) staat voor de hoeveelheid voor afzonderlijk gebruik. De hoeveelheid die u vraagt kan verschillen en moet naast elk nummer van het onderdeel, dat u bestelt, vermeld staan. Gelieve te verwijzen naar onze recentste prijslijsten om de leverbaarheid te garanderen. Onderdelen die niet leverbaar zijn, kunnen soms tweedehands geleverd worden. Deze tweedehands onderdelen staan niet altijd in onze prijslijsten en op onze web site. De prijzen in onze prijslijsten en op onze web site zijn prijzen per stuk en staan er alleen ter informatie. Ze kunnen plots veranderen naargelang de stijging of daling van de inkooprijzen. Ze kunnen zonder of met B.T.W. vermeld staan. Dit is op elke prijslijst aangeduid. De stuknummers bestaan uit zes cijfers. De eerste drie cijfers geven de aard van het stuk aan. 161 staat bijvoorbeeld voor moeren, 162 voor schroeven, 163 voor platte rondellen. De staat van het onderdeel wordt in de prijslijst en op de web site vermeld of kan worden herkend aan het nummer. De volgende codes zullen in de prijslijst en op de web site naast het nummer voor stukken, die niet nieuw geleverd worden, staan: SH = tweedehands, EX = geleverd op ruilbasis en een supplement zal worden aangerekend. NA = op het ogenblik niet beschikbaar. LH = links of RH = rechts. Bekeken vanuit de bestuurderszijde. LHD = bestuurder aan linkerkant of RHD = bestuurder aan de rechterkant. A/R = Zoals vereist. Dit betekent dat de vereiste hoeveelheid naargelang de toepassing kan verschillen. USE = het stuknummer wordt door het aangegeven nummer vervangen.

BESTELLINGEN

U kan altijd bestellen via onze web site, per e-mail, fax, brief, telefoon, of gewoon in de winkel. **Voor bestellingen die niet langs onze web site gebeuren gelieve rekening te houden met de volgende gegevens, wanneer u ons bestelformulier gebruikt:**

- uw klantnummer, naam, adres, telefoonnummer werk/thuis, faxnummer, VAT(BTW)-nummer voor bedrijven;
- specificeer als het leveringsadres verschilt;
- informatie over de auto, merk, model, bouwjaar, enz.;
- gebruik zoveel mogelijk onze onderdeelnummers. Dit zal de behandeling van uw bestelling vergemakkelijken;
- geef het aantal stukken aan en beschrijf de onderdelen;
- duid de betaalwijze aan: Bank (voorafbetaling), VISA, EUROCARD of MASTER CARD.
- Eens uw bestelling geplaatst, zetten we deze in de computer. Automatisch volgen dan de etiketten, de picking lists en de checking lists. Als u een geplaatste bestelling wilt wijzigen, kan deze het hele systeem in de war sturen en, op die manier fouten of vertragingen veroorzaken. Daarom vragen we u de bestelling goed na te kijken, **vóór u ze plaatst**. Dit zal ons helpen de onderdelen op tijd te leveren. We danken u voor uw begrip.

BETALINGEN

Kredietkaart: Op het tijdstip van publicatie aanvaarden we volgende kredietkaarten: VISA, EUROCARD, ACCES CARD, MASTERCARD. Gelieve het rekeningnummer, de vervaldag (en code indien aangegeven) en de kaarthoudersnaam te vermelden.

Bank: **(Niet voor bestellingen via onze web site)** Als de goederen bijeengebracht, ingepakt, gewogen en gemeten zijn, zal het faktuur opgesteld worden en zullen we het totale te betalen bedrag, het factuurnummer en onze bankgegevens meedelen. Gelieve het factuurnummer en het klantnummer op elke betaling te noteren. (De betaling dient te gebeuren zonder bankkosten voor de begunstigde.)

VERZENDING

Nationaal: We leveren bij u thuis, en de goederen, transportkosten inbegrepen, moeten bij levering C.O.D. betaald worden, als u geen kredietkaart gebruikt.
Internationaal: We verzenden via UPS (United Parcel Services) voor kleine pakketten, waarbij de transportkosten voorafbetaald zijn. Bij ontvangst betaalt u nog alleen de TAX indien u in een niet EEG land woont. Voor grote en zware pakketten gebruiken we een goedkope en snelle transportmethode. Anglo Parts pakt zijn goederen goed in en het risico op beschadiging is zeer klein. Toch moet u met het volgende rekening houden. Anglo Parts kan niet aansprakelijk gesteld worden voor verlies of beschadigde goederen tijdens het transport. Klachten over verlies en schade, die niet door de vervoerder veroorzaakt werden, moeten binnen drie dagen na de ontvangst van de bestelling ingediend worden. Al het verpakkingsmateriaal moet ter verificatie bijgehouden worden. Het vervoer van glas is niet verzekerd en gebeurt op risico van de koper.

ONTVANGST VAN DE GOEDEREN

Gelieve bij de ontvangst van elke verzending na te kijken of zegels en plakbanden niet stuk zijn en het pak niet beschadigd is. In geval van beschadiging of verlies, schrijft u dit op de vrachtbrief in overeenstemming met de actuele toestand en hoeveelheid van de inhoud van uw verzending, **voordat u het ontvangstbewijs tekent**. Bewaar uw kopie bij het faktuur en dien onmiddellijk bij de transportfirma een klacht in. Hou in elk geval de verpakking tot de zaak geregeld is. Bij Anglo Parts controleren twee personen de goederen, de eerste keer tijdens het bijeenbrengen en de tweede keer bij het verpakken van de goederen om zeker geen fouten te maken. **Uiteindelijk moet de klant zelf de allerlaatste controle bij ontvangst uitvoeren**. Vergewis er u van dat u alle gefactureerde goederen ontvangen heeft en dat alle mechanische goederen werken. Wacht niet met de controle van de goederen tot u ze werkelijk nodig heeft en meld problemen binnen drie dagen na ontvangst.

DE WAARBORG

Bijna alle onderdelen voor klassieke wagens worden in kleine hoeveelheden gefabriceerd door bedrijven, die dit voor een aanvaardbare prijs doen. Anglo Parts probeert zoveel mogelijk zelf de goederen na te kijken, maar we kunnen niet elk produkt controleren. **Vóór de montage moet de gebruiker de laatste controle zelf uitvoeren**. Vooral de mechanische producten moeten worden nagekeken om er zeker van te zijn dat ze in de beste staat verkeren. De garantieperiode begint vanaf de factuurdatum, **niet vanaf de datum van plaatsing**. De waarborg op onze onderdelen is normaal en redelijk, maar de klachten zijn beperkt tot de waarde van het component en dekt in geen geval: uurloon, transportkosten, fouten bij een component dat eraan vastzit, fouten als gevolg van een slechte plaatsing of onderdelen die voor rally of competitie gebruikt worden. Bij klachten i.v.m. de waarborg moeten alle producten naar de winkel van aankoop teruggebracht worden. Daarbij moet u de volgende punten in acht nemen: - de waarde moet groter zijn dan 7,5 Euro - de verzendingskosten en taksen moeten bij terugzending van de goederen voorafbetaald zijn; - alle goederen moeten schoon en goed verpakt teruggestuurd worden. Zodra U of derden het onderdeel uit elkaar hebben gehaald, zijn we niet meer aansprakelijk. Uiteindelijk beslist Anglo Parts zelf of het gaat over een intrinsiek defekt aan de eenheid, of het defekt bij plaatsing veroorzaakt werd. Goederen beschadigd door slechte verpakking of transport tijdens de terugzending komen niet in aanmerking voor onderzoek.

TERUGZENDEN

Wanneer U een verkeerd onderdeel als gevolg van uw foute bestelling ontvangen hebt, zijn we bereid het terug te nemen tegen de waarde van het goed voor onderdelen met een waarde van minimum 7,5 Euro. We rekenen u wel 15 % heropnamekosten aan. We aanvaarden geen terugzendingen: zonder een kopie van het faktuur, 30 dagen na de factuurdatum, van lagers, zuigers, zuigerringen, goederen per lopende meter, bekledingsonderdelen (linnen kappen, hoofdsteunen, dekzeilen, zetelovertrekken, panelen, enz.) of elk ander goed waarbij men met de plaatsing wou beginnen. Bij terugzending moeten de taksen en transportkosten voorafbetaald zijn. Anglo Parts kan u, verpakkings- of verzendingskosten van het land van ontvangst en de commissie, die we aan de kredietkaarteninstelling moesten betalen, niet vergoeden. De uitbetaling geschiedt via een waardebon.

SUPPLEMENT

Een supplement komt bovenop de prijs voor onderdelen, die op ruilbasis worden aangeboden. Dit supplement staat in de prijslijst en op onze web site naast het betrokken onderdeelnummer en zal gefactureerd worden in afwachting van de terugzending van de oude, ingeruilde eenheid. Dit supplement wordt terugbetaald wanneer we de eenheid volledig, schoon, zonder olie en twee maanden na de factuurdatum terugkrijgen. Gelieve ook een kopie van ons faktuur toe te voegen. De verzendingskosten moeten volledig door u voorafbetaald worden. Indien u ons de oude eenheid terugstuurt, vragen we u een brief te sturen met uw naam, adres, telefoonnummer, verzendingsdatum en beschrijving van de goederen, het supplement inbegrepen. Gelieve enkele kopieën te maken waarvan één exemplaar op het pak te bevestigen, één in het pak te steken en één zelf te bewaren. We hebben ze nodig bij de invoer van de goederen. Bij de aankomst van de goederen kijken we onmiddellijk de volgende punten na: - Is het stuk goed verpakt? - Werd het tijdens het transport beschadigd? - Komt de oude eenheid met het type, dat we u zonden, overeen (het juiste origineel)? - Is de eenheid volledig en zijn de essentiële onderdelen nog reviseerbaar? Gelieve geen MGA ruitenwissermotor te sturen voor ruil met een TD ruitenwissermotor of zend ons geen motor met een gebroken krukas. In dit laatste geval zullen we alleen de stukwaarde min de waarde (volgens onze beoordeling) van de krukas terugbetalen.

BACK ORDERS

De goederen, die we op het tijdstip van uw bestelling niet in voorraad hebben, houden we in "back order". We laten u dan weten wanneer we ze u opnieuw kunnen leveren. We reserveren de onderdelen voor u voor een periode van veertien dagen (vanaf het ogenblik waarop we onze brief gepost hebben). Indien u ons binnen die periode niet gekontakteerd hebt zijn deze onderdelen niet meer voor u gereserveerd. Als u bestelt, kan u altijd specificeren "geen back orders" of ons vragen alle vorige te annuleren. Als een onderdeel in "back order" niet meer kan worden geleverd, laten we u dit ook weten. Als u dan beslist dit onderdeel tweedehands te kopen, gelieve dit te vragen en we zullen al het mogelijke doen het onderdeel te vinden.



Les illustrations dans ce catalogue ne sont que des représentations. Les produits fournis peuvent être différents en ce qui concerne la forme, mais la qualité et le but restent pareils.

LES POINTS IMPORTANTS

Les conditions de vente sont imprimées au verso des factures et les modifications sont mentionnées dans la catalogue la plus récent et dans la liste de prix. Si vous commandez chez nous, vous êtes d'accord avec nos conditions de vente (vous le acceptez). Vous pouvez toujours demander une nouvelle publication. L'édition complètera et remplacera toutes les précédentes. Veuillez lire les points les plus importants, mentionnés ci-dessous.

NOS VENDEURS

Nous ne sommes pas des techniciens bien expérimentés et nous ne sommes pas responsables des erreurs que nous disons ou écrivons. Nous sommes des enthousiastes et voulons vous aider. Pour une explication un peu plus technique, nous vous recommandons les livres de la liste de notre catalogue.

NOS CATALOGUES

Nous nous sommes efforcés de mettre dans notre catalogue des informations correctes. Nous ne pouvons pas être rendu (civilement) responsables d'erreurs ou d'inexactitudes concernant la spécification, l'estimation, ou les numéros de pièce. Nous avons le droit de corriger une faute.

NOS NUMEROS DE PIECE ET LES PRIX

Nous avons donné à chaque pièce (ou sets de pièces) un numéro. La quantité requise (QT) se réfère à la quantité pour un usage particulier. La quantité que vous demandez peut être différente et doit se trouver à côté de chaque numéro de pièce que vous commandez. Veuillez vous référer à nos listes de prix le plus récentes pour garantir la disponibilité. Des pièces non disponibles peuvent être fournies en occasion. Ces pièces en occasion ne se trouvent pas toujours dans nos listes. Les prix dans nos listes de prix sont des prix par pièce et s'y trouvent seulement à titre informatif. Ils peuvent varier selon l'augmentation ou la baisse des prix d'achat. Ils peuvent être mentionnés sans ou avec la T.V.A. Ceci est indiqué dans la liste de prix. Les numéros de pièce se composent de chiffres. Les trois premiers chiffres indiquent la nature de la pièce. 161 se réfère par exemple à écrous, 162 à boulons, 163 à rondelles plates. L'état de la pièce est mentionné dans la liste de prix ou peut être reconnu au numéro. Les codes suivants se trouvent dans la liste à côté du numéro de pièces qui ne sont pas livrés comme nouvelles. SH = en occasion, EX = fourni sur base d'échange et on vous comptera un supplément. NA - pas disponible en ce moment. LH - gauche ou RH - droite. Vu du point de vue du siège du conducteur. LHD - le conducteur à gauche. RHD - le conducteur à droite. A/D - comme requis. Cela signifie que la quantité requise peut être différents selon l'application. USE - le numéro de pièce a été remplacé par le numéro indiqué.

LES COMMANDES

Vous pouvez toujours commander par courrier, par téléphone, par télécopie, ou bien en magasin. Veuillez tenir compte des données suivantes si vous employez notre bon de commande:

- votre numéro de client, votre nom, votre adresse, votre numéro de téléphone travail/privé, votre numéro de fax, le numéro de T.V.A. pour les entreprises;
- spécifiez si l'adresse de livraison est différente;
- informations sur la voiture: la marque, le modèle, l'année de construction, etc.;
- utilisez autant que possible nos numéros de pièce. De cette manière, nous pouvons traiter vos commandes plus rapidement;
- donnez le nombre des pièces et décrivez les;
- indiquez le moyen de paiement: Banque, paiement à l'avance, VISA, EUROCARD, MASTER CARD. Une fois votre commande passée, nous l'introduisons dans l'ordinateur. Les étiquettes, les "picking lists" et les "checking lists" suivent automatiquement. Si vous voulez modifier une commande passée, vous risquez de confondre tout le système et, de cette manière, causer des erreurs ou des retards. C'est pourquoi nous vous demandons de **bien contrôler votre commande avant de la passer**. Cela nous aidera à livrer les pièces à temps. Nous vous remercions pour votre aide.

LES PAIEMENTS

La carte de crédit: Au moment de la publication, nous acceptons les cartes de crédits suivantes: VISA, ACCESSCARD, MASTERCARD. Veuillez mentionner le numéro de compte, l'échéance (et le code si indiqué) et le nom du titulaire de carte.

La Banque: Si les produits ont été ramassés, emballés, pesés et mesurés, on rédige la facture et nous communiquerons le montant total à payer, le numéro de la facture et nos données bancaires. Veuillez noter pour chaque paiement le numéro de client. (Le paiement doit arriver sans frais bancaires pour le bénéficiaire.)

L'EXPEDITION

National: nous livrons chez vous, et les produits, frais de transport inclus, doivent être payés COD à la livraison si vous n'utilisez pas de carte de crédit.
International: nous expédions par U.P.S. (United Parcel Services). Il faut payer d'avance les frais de transport pour les petits paquets. À la réception, vous ne payez plus que la TAXE si vous n'habitez pas dans un pays de la CEE. Pour les paquets plus grands, nous utilisons une méthode plus rapide et moins chère. Anglo Parts emballer bien les produits et le risque d'endommager est très petit. Il faut cependant tenir compte de ce qui suit. Anglo Parts ne peut être rendue responsable produits endommagés ou perdus pendant le transport. Il faut introduire les plaintes de pertes ou dégâts dans trois jours après la réception de la commande. Il faut garder le matériel d'emballage pour vérification. Nous n'assurons pas le transport de verre et le transport se passe au risque de l'acheteur.

LA RECEPTION DES PRODUITS

Veuillez contrôler à la réception de chaque envoi si les cachets et les scathes sont cassés si le paquet n'est pas endommagé. En cas de pertes ou dégâts, vous l'inscrivez sur la connaissance en concordance avec l'état actuel et le quantité de votre envoi **avant de signer le reçu**. Gardez la copie avec la facture et introduisez immédiatement une plainte chez le transporteur. Gardez en tout cas l'emballage jusqu'à ce que les problèmes soient résolus. Chez Anglo Parts, deux personnes vérifient les produits, d'abord au ramassage et ensuite à l'emballage des produits pour éviter des erreurs. **Finalement, le client même doit vérifier et dernier lieu les produits à la réception.** Vérifiez si vous avez reçu tous les produits et si tous les produits mécaniques fonctionnent. Ne reportez pas le contrôle jusqu'au moment où vous en avez besoin, et rappez les produits dans trois jours après la réception.

LA GARANTIE

Presque toutes les pièces de voitures classiques sont fabriquées par des entreprises qui le font à un prix raisonnable. Anglo Parts essaie, autant que possible, de contrôler elle-même les produits, mais nous ne pouvons pas contrôler chaque produit. **Avant le montage, le client doit effectuer lui-même le dernier contrôle.** Il faut vérifier les produits mécaniques pour être sûr qu'ils se trouvent en bon état. La période de garantie commence à partir de la date de la facture, **et pas à partir de la date de l'installation.** La garantie de nos pièces est normale et raisonnable, mais les plaintes sont limitées à la valeur de l'élément et ne couvre en aucun cas le salaire à l'heure, le transport, les défauts d'un élément relatif, les défauts à la suite d'une mauvaise installation ou les pièces qui sont utilisées pour les "rally" ou les compétitions. En cas de plainte concernant la garantie, il faut rapporter tous les produits au magasin d'achat en tenant compte des points suivants: - la valeur doit dépasser 7,5 Euro les frais d'expédition et les taxes doivent être payés d'avance au renvoi des produits; - il faut renvoyer les produits propres et bien emballés. A partir du moment où une tierce personne a démonté les pièces, nous ne sommes plus responsables. Finalement, Anglo Parts décide elle-même s'il s'agit d'un défaut inhérent à l'unité ou bien d'un défaut dû à l'installation. Les produits endommagés par un mauvais emballage ou un transport inadéquat pendant le renvoi ne seront pas pris en considération de vérification.

LA REEXPEDITION

Si vous avez reçu une fautive pièce à la suite de votre commande incorrecte, nous sommes prêts à reprendre la pièce contre la valeur du produit, moins 15% des frais de reprise. Veuillez noter que les pièces doivent avoir une valeur de minimum 7,5 Euro. Nous n'acceptons pas de réexpédition sans une copie de la facture, trente jours après la date de la facture, des produits au mètre, des anneaux-pistons, des pièces de rechange de garniture intérieure (comme des capotes, des moquettes, des velours, des couvertures toneau) ou de toute pièce dont l'installation a déjà été commencée. A la réexpédition, tous les frais de transport et les taxes doivent être payés d'avance. Anglo Parts ne peut pas rembourser les frais d'emballage et d'expédition du pays de réception, ainsi que la provision qu'elle a dû payer aux cartes crédits. Nous vous remboursons ce montant avec un "Gift Certificate".

LE SUPPLEMENT

Un supplément s'ajoute au prix pour les pièces qui seront offertes sur bases d'échange. Ce supplément se trouve dans la liste de prix à côté de numéro de pièce y relatif et sera facturé en attente de renvoi de la vieille unité échangée. Ce supplément sera remboursé quant nous recevrons, deux mois après la date de la facture, l'unité entière, propre et sans huile. Veuillez aussi y ajouter une copie de notre facture. Il faut que vous payiez les frais d'expédition d'avance. Si vous nous renvoyez la vieille unité, nous vous demandons d'envoyer une lettre avec votre nom, votre adresse, votre numéro de téléphone, la date d'expédition et la description du produit, le supplément inclus. Veuillez faire quelques copies, dont vous en attachez une au paquet, dont vous en mettez un dans le paquet et dont vous en gardez une pour vous-même. Nous en avons besoin à l'importation des produits. A l'arrivée des produits, nous vérifions les points suivants: - la pièce, est-elle bien emballée? - A-t-elle été endommagée pendant le transport? - la vieille unité, correspond-elle au type nous vous avons envoyé (l'original)? - l'unité, est-elle complète et les pièces essentielles sont-elles encore révisables? Veuillez ne pas envoyer de moteur d'essuie-glace au lieu d'un moteur Spitfire ou ne envoyez pas un moteur avec un arbre-coude cassé. Dans ce dernier cas, nous ne rembourserons que la valeur de la pièce moins le valeur de l'arbre-coude (selon notre estimation).

LES "BACK ORDERS"

Les produits que nous n'avons pas en stock au moment de votre commande sont gardés en "back order". Nous vous laissons savoir quand nous pouvons à nouveau vous les livrer. Nous vous réservons les pièces pendant une période de 15 jours (à partir du moment où nous avons posé notre lettre). Si vous nous contactez pas pendant cette période, les pièces ne vous sont plus réservées. Si vous commandez, vous pouvez toujours spécifier "pas de back orders", ou bien nous demander d'annuler tous les "back orders" précédents. Si nous ne pouvons plus livrer une pièce en "back order", nous vous le laissons savoir. Si vous décidez d'acheter cette pièce en occasion, veuillez le demander et nous ferons notre possible pour la trouver.



INFORMAZIONI IMPORTANTI

Le condizioni di vendita sono stampate sul retro delle fatture, all'interno dei cataloghi e nei listini prezzi. Se si ordina da noi, il cliente accetta e condivide le nostre condizioni di vendita. Prima di effettuare un ordine siete pregati di leggere attentamente i punti seguenti.

I NOSTRI VENDITORI

Non sono dei tecnici perciò non sono responsabili di eventuali errori, si consiglia sempre il consulto di un meccanico esperto, se si hanno delle difficoltà, oppure consultare i libri tecnici presenti nei nostri cataloghi. I nostri venditori sono comunque entusiasti di poterla aiutare in ogni modo possibile.

I CATALOGHI

Ci impegniamo da sempre affinché le informazioni presenti all'interno dei nostri cataloghi siano il più possibile corrette; quindi, non siamo responsabili di eventuali imprecisioni o mancanze sulla descrizione, sul prezzo o sui numeri di codice dei ricambi. Per questo ci riserviamo il diritto di apportare le correzioni necessarie senza preavviso.

Le illustrazioni degli articoli sono solo indicative, perciò, possono esserci delle piccole differenze per quanto riguarda la forma, ma la qualità e l'utilizzo restano le medesime.

La quantità (QT) scritta affianco al codice articolo si riferisce alla quantità necessaria al restauro di una singola auto; tutti i prezzi si riferiscono alla quantità singola, perciò sono da moltiplicare sempre per la quantità scritta accanto all'articolo; è comunque possibile ordinare la quantità desiderata.

I ricambi che non sono disponibili, non sono presenti nei listini prezzi oppure sono marcati NA. Talvolta è comunque possibile trovarli di seconda mano. I prezzi dei nostri ricambi possono cambiare improvvisamente e senza preavviso, dipende dei prezzi di acquisto presso i nostri fornitori. I nostri listini sono I.V.A. compresa.

Normalmente tutti i codici si riferiscono all'articolo NUOVO. Talvolta sono presenti delle eccezioni, come:

SH: ricambio d'occasione/seconda mano. EX: si tratta di materiale revisionato, per il quale serve il reso del vecchio, altrimenti si deve pagare un sovrapprezzo. NA: Non disponibile.

LH: sinistro. RH: destro (visti dal punto di vista del guidatore). LHD: guida a sinistra. RHD: guida a destra.- A/R: a richiesta (la quantità può variare a seconda dell'applicazione).

USE: il numero di articolo è stato sostituito dal numero indicato.

ORDINI

Accettiamo ordini via fax, telefono, e-mail, a mezzo posta, internet oppure in negozio; nel caso utilizzate il nostro modulo d'ordine, tenete presente quanto segue:

- indicare sempre il vostro codice Cliente (solo se siete già clienti), il nome, l'indirizzo, il numero di telefono, il codice fiscale o il numero di partita I.V.A. per le Ditte;
- specificare l'indirizzo per la consegna nel caso fosse diverso da quello di fatturazione;
- completare i dati identificativi della vostra vettura: marca, tipo, anno di costruzione, ecc.
- usare soprattutto i nostri codici articolo; ciò rende più facile e sicura l'evasione del vostro ordine.
- indicare sempre la quantità a voi necessaria e scrivete la descrizione dei ricambi.
- indicare la modalità di pagamento; se prevedete l'uso di carta VISA, MASTERCARD, inserite il codice completo (16 cifre), la scadenza e il badge code. Tutti questi dati sensibili vengono inseriti nel nostro sistema computerizzato per la corretta evasione dell'ordine; modificare un ordine già inviato provoca grave disordine nei nostri sistemi causando la possibilità di sbagliare e ritardare l'evasione dell'ordine stesso. Perciò vi chiediamo di controllare bene tutti i dati prima di trasmetterli: ci aiuterà a fornirvi i ricambi nei modi e nei tempi corretti. Certi della vostra collaborazione vi ringraziamo.

PAGAMENTI

Carta di credito: al momento, accettiamo esclusivamente carta di credito del circuito VISA, MASTERCARD. Siete pregati di indicare correttamente il numero di 16 cifre, la scadenza, il badge code ed il nome del "titolare" della carta.

Bonifico Bancario: Vi invieremo, via fax o via mail, la copia della fattura, quindi provvederete a fare il bonifico immediatamente inviandoci copia dello stesso, sarà nostra premura spedire il materiale non appena arrivato il pagamento.

Contrassegno: Pagamento in CONTANTI o assegno circolare al corriere. Solo su nostra autorizzazione potete lasciare un assegno bancario.

SPEDIZIONE

Effettuiamo solo spedizioni Nazionali, utilizzando il corriere espresso. La consegna viene effettuata in 24h/48h. I costi del trasporto e dell'imballaggio vengono conteggiati in fattura, essi variano in base al volume del pacco. Il contrassegno prevede un costo aggiuntivo per i diritti d'incasso del corriere. Cerchiamo di imballare il materiale nel modo migliore al fine di evitare rotture o danni: tuttavia, nel caso dovesse succedere, Anglo Parts SRL non si ritiene responsabile di spedizioni danneggiate o perse durante il trasporto. Il cliente dovrà dare comunicazione scritta entro tre giorni dal ricevimento della merce. Nel caso di problemi, tutto il materiale di imballaggio deve essere conservato per l'eventuale verifica. Il materiale fragile (parabrezza, parti in vetro, etc) viene da noi assicurato.

RICEVIMENTO DELLA MERCE

Siete pregati di verificare, al ricevimento della merce, che i sigilli, il nastro adesivo e la confezione non siano rotti o manomessi. In caso di danneggiamento o perdita del materiale: firmate con riserva al corriere, conservate la copia del documento di trasporto/fattura, presentate immediatamente un reclamo al trasportatore e metteteci a conoscenza dell'accaduto.

Conservate in ogni caso l'imballo finché i problemi non saranno stati risolti. **Verificate immediatamente se avete ricevuto tutto il materiale ordinato e se tutti i pezzi meccanici funzionano.** Non aspettate di verificare i pezzi al momento del montaggio e, in caso di difetti o errori, scrivetece entro tre giorni dal ricevimento della merce.

GARANZIA

Anglo Parts si impegna a comprare solo dai fornitori migliori, controllando nel limite del possibile tutti i ricambi, ma talvolta vi consigliamo di fare **un ultimo controllo prima del montaggio**. Soprattutto bisogna verificare che i pezzi meccanici siano in perfetto stato. Il periodo di garanzia **inizia dalla data di fatturazione** e non dalla data del montaggio. I nostri ricambi hanno una garanzia limitata al valore del pezzo, quindi eventuali reclami comportano solo la sostituzione del pezzo difettoso o la restituzione del solo valore dell'articolo. La Garanzia non copre i costi del montaggio, del trasporto, di danni conseguenti al difetto del pezzo, di un montaggio scorretto e di pezzi che vengono usati per competizioni o rally. Nel caso di reclami coperti da garanzia, i pezzi devono essere restituiti al negozio; a tal proposito tenete presente che: il valore deve essere maggiore di 7,5 Euro, tutti i pezzi devono essere rispediti puliti e ben imballati. Una volta ricevuti i pezzi Anglo Parts SRL verifica se si tratta di un difetto di fabbrica oppure se è dovuto ad un montaggio scorretto. I pezzi danneggiati dal trasporto o nell'imballo non vengono presi in considerazione.

RISPESSIONE

Accettiamo resi di materiale, solo se autorizzati, entro e non oltre 10 giorni dal ricevimento della merce. Se la restituzione è dovuta ad un errore di ordinazione da parte vostra, viene detratto dal costo dell'articolo il 15%, quale copertura di costi generali (valore minimo articolo 7,5Euro).

Non vengono accettati resi di materiale che siano stati anche parzialmente montati! I costi del trasporto e dell'imballaggio non vengono MAI restituiti.

SUPPLEMENTO

Alcuni ricambi vengono forniti rigenerati (rebuilt), in essi grava un sovrapprezzo (surcharge); questo sovrapprezzo verrà restituito solo dopo aver ricevuto il vecchio ricambio. Al ricevimento da parte nostra dei pezzi verificheremo immediatamente se è possibile riaccreditarci il sovrapprezzo da voi pagato. La spedizione del vecchio ricambio è a carico vostro.

BACKORDERS / ORDINI ARRETRATI

I prodotti che non abbiamo disponibili al momento dell'ordine, vengono messi in "backorder"; Ciò significa che non appena il ricambio sarà disponibile presso la nostra sede, provvederemo a comunicarvelo a mezzo posta. Tale ricambio viene tenuto in prenotazione per voi per una durata di 15 giorni a partire dal giorno di spedizione della lettera postale da parte nostra. **NEL CASO NON RICEVESSIMO** vostre notizie entro questo tempo, il pezzo potrà essere venduto a qualsiasi altro cliente. Se ordinate tramite modulo d'ordine o tramite internet potrete specificare se vorrete o meno ricevere gli articoli non evasi. Nel caso un pezzo in "backorder" non fosse più disponibile, vi verrà comunicato.



1. EINFÜHRUNG

Die Abbildungen in diesem Katalog oder auf unserer Webseite sind nicht exakt oder maßstabsgerecht. Die tatsächlichen Teile können geringfügig von den Abbildungen abweichen, die Qualität und die Verwendbarkeit werden jedoch nicht beeinträchtigt. Die Rover-Gruppe liefert keine Ersatzteile mehr, daher übernimmt ANGLO-PARTS diese Dienstleistung, indem weltweit Rover-Ersatzteile von ANGLO-PARTS eingeführt, neu hergestellt und ausgeliefert werden. Wir benutzen dazu Original "blue prints" und Original-Musterbauteile, um einen erschwinglichen Preis zu garantieren. Die Musterteile werden außerdem noch von anderen Originalherstellern wie z. B. Lucas, Lockheed, Armstrong, Vandervell, Glacier, Borg & Beck etc. hergestellt. Wenn Originalteile dieser Hersteller verfügbar sind, wird ANGLO-PARTS Ihnen diese Teile liefern, auch wenn sie etwas teurer sind. Wir sind der Meinung, dass Qualität und Authentizität an erster Stelle stehen sollten.

2. ALLGEMEINE GESCHÄFTSBEDINGUNGEN

Wir verkaufen und liefern ausschließlich auf der Basis unserer Allgemeinen Verkaufs- und Lieferbedingungen, die auf der Rückseite der Bestellformulare und Rechnungen abgedruckt sind. Sie finden diese Allgemeinen Geschäftsbedingungen auch in diesem Katalog. Wenn Sie bei uns bestellen, sind Sie mit unseren Verkaufsbedingungen einverstanden und akzeptieren diese. Die Firma ANGLO-PARTS behält sich vor, die Allgemeinen Geschäftsbedingungen von Zeit zu Zeit neuen Gegebenheiten anzupassen, und die jeweils letzte Fassung findet Anwendung auf die Verträge.

3. TECHNIK

Für technische Erläuterungen empfehlen wir Ihnen die Handbücher im Inhaltsverzeichnis des Kataloges. Wir übernehmen keine Gewähr für technische Informationen in unseren Katalogen, diese dienen lediglich der Darstellung unserer Waren.

4. KATALOG

Wir haben uns bemüht, unsere Kataloge so sorgfältig wie möglich zu erstellen. Wir übernehmen keine Verantwortung für Fehler oder Ungenauigkeiten im Zusammenhang mit der Spezifizierung, der Preisbestimmung oder den Ersatzteilnummern. Wir behalten uns das Recht vor, aufgetretene Fehler ohne Rechtsnachteile für uns zu verbessern. Gewährleistungsansprüche entstehen nicht, wenn der Fehler zurückzuführen ist auf Verletzung von Bedienungs-, Wartungs- und Einbauvorschriften, ungeeignete oder unsachgemäße Verwendung, fehlerhafte oder nachlässige Behandlung und natürlichen Verschleiß des Liefergegenstandes sowie Schäden aus sportlichen Einsätzen. Zugesicherte Eigenschaften müssen ausdrücklich schriftlich im Einzelnen als solche bezeichnet werden.

5. ERSATZTEILNUMMERN UND PREISE

Alle Ersatzteile oder Gruppen von Ersatzteilen haben von uns eine Ersatzteilnummer erhalten. Die Abkürzung QTY steht für die für einen bestimmten Einsatz erforderliche Menge des jeweiligen Ersatzteiles. Die von Ihnen bestellte Liefermenge kann davon abweichen und sollte deutlich neben der jeweiligen Ersatzteilnummer angegeben werden. Bitte verwenden Sie die jeweils neueste Preisliste, um die Lieferbarkeit zu gewährleisten. Ersatzteile, die nicht lieferbar sind, können wir manchmal aus zweiter Hand besorgen. Diese Gebraucht-Ersatzteile stehen nicht immer in unserer Preislisten. Die Preise in unserer Preisliste sind Stückpreise, sie können sich infolge einer Veränderung der Einkaufspreise ebenfalls ändern. Die Listenpreise beinhalten, falls nicht anders bezeichnet, die jeweilige gesetzliche Mehrwertsteuer. Die Ersatzteil-Nummern bestehen aus sechs Ziffern. Die ersten drei Ziffern geben die Art des Ersatzteils an: 161 z. B. steht für Muttern, 162 für Schrauben und 163 für Scheiben. Der Zustand des Ersatzteiles wird in der Preisliste erwähnt oder kann anhand der Nummer erkannt werden. Die folgenden Codes stehen in der Preisliste neben der Ersatzteilnummer, falls dieses Teil nicht neu geliefert werden kann: SH bedeutet aus zweiter Hand, EX wird auf Tauschbasis geliefert, und ein Mehrpreis (Surcharge/Surch) wird berechnet, NA bedeutet im Augenblick nicht erhältlich. LH bedeutet links, RH rechts - jeweils vom Fahrer aus gesehen. LHD bedeutet Fahrer auf der linken Seite und RHD Fahrer auf der rechten Seite. A/R bedeutet "wie erforderlich", das heißt, dass die erforderliche Menge nach dem Zweck unterschiedlich sein kann. Durch die Abkürzung USE wird eine neue Ersatzteilnummer bezeichnet, welche die ursprüngliche Nummer ersetzt.

6. AUFTRAGSERTEILUNG

Sie können per Fax, Brief, telefonisch oder wie gewohnt im Shop bestellen. Bei Verwendung unseres Bestellformulars möchten wir Sie bitten, dieses vollständig auszufüllen: Ihre Kundennummer, Adresse, Telefon- und Faxnummer, Umsatzsteuer-ID-Nummer (gewerblich).

- Spezifizieren Sie die Lieferadresse, falls diese von der Rechnungsanschrift abweicht.
- Geben Sie uns die vollständigen Angaben zu Ihrem Fahrzeug wie Marke, Typ, Baujahr usw.
- Benutzen Sie ausschließlich unsere Ersatzteilnummern, dadurch kann Ihre Bestellung schneller bearbeitet werden.
- Geben Sie die gewünschte Menge der Ersatzteile unter Verwendung der Beschreibung im Katalog an.
- Geben Sie die Art der Zahlungsweise an.
- Sobald wir Ihren Auftrag erhalten haben, wird dieser elektronisch weiterverarbeitet, automatisch werden dann daraus die Bestellungen, Lieferscheine und Rechnungen erstellt. Wenn Sie einen einmal gegebenen Auftrag ändern möchten, kann dies zu Fehlern oder Verspätungen führen. Deshalb möchten wir Sie bitten, den Auftrag vor Erteilung genauestens zu überprüfen. Dies hilft uns, die Ersatzteile pünktlich zu liefern. Vielen Dank für Ihr Verständnis.

7. ZAHLUNGSWEISE

Sobald die Bestellung konfektioniert, verpackt, gewogen und gemessen wurde, wird die Rechnung erstellt, und wir werden Ihnen den vollständigen Rechnungsbetrag, die Rechnungsnummer und unsere Bankverbindung mitteilen. Bitte geben Sie bei jeder Zahlung die Rechnungsnummer und Ihre Kundennummer an. Kreditkarten: Zum Zeitpunkt der Drucklegung dieser Allgemeinen Informationen akzeptieren wir folgende Kreditkarten: Visa, Eurocard, Accesscard, Mastercard. Bitte geben Sie bei Kreditkartenzahlung die Kartenummer, das Verfalldatum (und die Prüfnummer, wenn angegeben) sowie den Namen des Karteninhabers an. Eine Zahlung per Nachnahme ist nur im Inland möglich.

8. VERSENDUNG

Da der Versand unserer Waren auf Gefahr und Kosten des Bestellers erfolgt, bitten wir Sie, in der Bestellung zu spezifizieren, ob Sie die Waren abholen oder einen Dritten mit der Lieferung beauftragen. ANGLO-PARTS wird die bestellten Waren ausreichend verpacken, um das Risiko von Transportbeschädigungen zu reduzieren. ANGLO-PARTS ist nicht verantwortlich für Ware, die beim Transport verlorengegangen oder beschädigt wurde. ANGLO-PARTS übernimmt keine Haftung für den Frachtführer, der im Auftrag des Bestellers tätig wird. Wir empfehlen daher bei Erhalt der Ware: Überprüfen Sie bitte bei Lieferung der Ware, ob die Verpackung, eventuelle Siegel oder Klebestreifen aufgebrochen wurden und ob die Verpackung beschädigt ist. Für den Fall einer Beschädigung oder das Fehlen von Teilen machen Sie bitte eine entsprechende Notiz auf den Frachtbrief hinsichtlich des Zustandes und des Inhaltes Ihrer Sendung, bevor Sie den Erhalt quittieren. Behalten Sie Ihre Kopie der Rechnung und setzen Sie sich sofort mit Ihrem Frachtführer in Verbindung. Bewahren Sie die Verpackung auf, bis die Fragen geklärt wurden. Wir überprüfen zweimal die Vollständigkeit der Bestellung, das erste Mal beim Konfektionieren und das zweite Mal beim Verpacken der Waren. Daneben sind Sie allerdings verpflichtet, die letzte Kontrolle durchzuführen. Wir verweisen auf die Fristen in unseren Allgemeinen Verkaufs- und Lieferbedingungen.

9. RÜCKSENDUNGEN

Wenn Sie ein Ersatzteil erhalten, für dieses aber keine Verwendung haben und Sie diese Falschbestellung zu vertreten haben, sind wir bereit, diesen Artikel zurückzunehmen. Rücksendungen erfolgen auf Kosten und Gefahr des Bestellers. Wir werden Ihnen den Rechnungsbetrag der Waren abzüglich einer Wiedereinlagerungsgebühr von 15 % erstatten. Wir akzeptieren keine Rücksendung ohne eine Durchschrift unserer Rechnung. Nach Ablauf von mehr als 30 Tagen nach dem Rechnungsdatum akzeptieren wir keine Rücksendung. Lager, Kolben, Kolbenringe, Meterware und Verkleidungsteile (Kopfstützen, Verdecke, Verdeckabdeckungen, Sitzbezüge, Türverkleidungen) sind vom Umtausch ausgeschlossen. Dies gilt auch für Ersatzteile, mit denen ein Installationsversuch unternommen wurde. Wir erstatten keinerlei Verpackungs- und Versandkosten sowie Servicegebühren, die wir an Kreditkartenfirmen bezahlt haben. Die Rückzahlung erfolgt über einen Warengutschein in Höhe des Rückzahlungsbetrages.

10. LIEFERUNG VON ERSATZTEILEN AUF AUSTAUSCHBASIS

Für Ersatzteile, die von uns auf Austauschbasis angeboten werden, berechnen wir einen Mehrkostenpreis. Dieser Mehrkostenpreis ist in unserem Preisverzeichnis neben der betreffenden Ersatzteilnummer angegeben. Bei Bestellung eines Ersatzteiles auf Austauschbasis wird neben dem Preis für das Ersatzteil auch der Mehrkostenpreis in Rechnung gestellt. Dieser Mehrkostenpreis wird ganz oder teilweise zurückerstattet, vorausgesetzt wir erhalten vom Besteller das entsprechende Austauschteil komplett, sauber und ölfrei und innerhalb von zwei Monaten nach unserem Rechnungsdatum. Bitte senden Sie eine Kopie unserer Rechnung mit. Die Versendung des Austauschteiles erfolgt auf Gefahr und Kosten des Bestellers. Wenn Sie uns das Austauschteil aus dem Ausland schicken, sollten Sie uns einen Brief beilegen, der Ihren Namen, Anschrift, Telefonnummer und das Versendungsdatum sowie eine Beschreibung der Güter beinhaltet und den Mehrkostenbetrag. Bitte fertigen Sie von diesem Brief einige Kopien an, fügen eine dem Paket bei, kleben eine auf das Paket und behalten eine weitere für Ihre eigenen Unterlagen. Wir benötigen diese Informationen für die Einfuhrabfertigung. Bei Eingang der Ware überprüfen wir sofort die folgenden Punkte: War das Teil ausreichend verpackt oder sind Transportbeschädigungen aufgetreten? (Wenn ja, werden wir Sie sofort davon in Kenntnis setzen). Entspricht das Altteil dem von uns gelieferten Teil? Ist das Altteil vollständig, und sind die wichtigsten Ersatzteile noch wiederherstellbar? Bitte beachten Sie, dass wir im Falle der Übersendung eines Falschteiles oder eines beschädigten Teiles nur den jeweiligen Stückwert des zurückgesandten Teiles erstatten. Insoweit führen wir eine Schätzung durch.

11. NACHLIEFERUNGEN

Waren, die zum Zeitpunkt Ihres Auftrages nicht vorrätig sind, werden als Nachlieferung (Backorder) behandelt. Wir werden Sie sofort über die Verfügbarkeit der Teile informieren. Das Ersatzteil ist mit einer Frist von 14 Tagen nach Absendung unserer Benachrichtigung für Sie reserviert. Sollten Sie diese Frist verstreichen lassen, verfällt die Nachlieferung. Wenn Sie keine Nachlieferung erhalten möchten, können Sie bei Auftragserteilung auch "keine Nachlieferungen" vermerken. Nachlieferungen können zu jeder Zeit annulliert werden. Wenn das Ersatzteil nicht mehr lieferbar ist, werden wir Sie sofort davon in Kenntnis setzen. Sie können dann entscheiden, ob Sie das Ersatzteil aus zweiter Hand kaufen wollen. Sobald uns ein entsprechender Auftrag vorliegt, werden wir uns bemühen, dieses Ersatzteil für Sie zu besorgen.



Allgemeine Verkaufs- und Lieferbedingungen der ANGLO-PARTS Autoteile GmbH~ Wetzlar

1. Lieferungen durch uns erfolgen ausschließlich unter Zugrundelegung unserer nachfolgenden Verkaufs- und Lieferbedingungen. Bestellungen nehmen wir ausschließlich zu diesen Bedingungen an. Änderungen und Ergänzungen bedürfen der Schriftform. Andere Allgemeine Geschäftsbedingungen gelten auch dann nicht, wenn ihnen im Einzelfall nicht ausdrücklich widersprochen wurde.
2. Wird eine Bestellung schriftl., mündlich oder auf andere Weise getätigt, bleibt dem Besteller eine Frist von 7 Werktagen, um diese Bestellung zu widerrufen, sofern noch keine Lieferung erfolgt ist. Nach Ablauf der 7-Tage Frist hat Anglo-Parts das Recht 30% des Bestellwertes dem Kunden zu berechnen oder 30% vom Wert eines Vertrages zu berechnen. Der Kunde hat außerdem innerhalb einer Frist von 7 Werktagen, nach Erhalt der Ware, die Möglichkeit die erhaltene Ware an Anglo-Parts zurückzugeben (gemäß Punkt 9 "WICHTIGE AUSKÜNFTE").
Der Versand unserer Ware erfolgt auf Gefahr und auf Kosten des Bestellers. Die tatsächliche Höhe der Transport- und Verpackungskosten können nur berechnet werden, nach der Zusammenstellung und Verpackung der Warensendung. (da Größen- und Gewichtsabhängig.)
3. Sofern der Versand nicht gegen Nachnahme erfolgt, sind Zahlungen rein netto innerhalb von 10 Tagen nach Rechnungserhalt zu leisten. Im Verzugsfall hat der Besteller Verzugszinsen in Höhe von 3 % über dem jeweils geltenden Diskontsatz der Deutschen Bundesbank zu bezahlen. Die Geltendmachung eines weiteren Verzugschadens bleibt vorbehalten.
4. Der Besteller ist - sofern er Kaufmann ist - verpflichtet, unsere Ware unmittelbar nach Erhalt auf Mängel zu untersuchen und eventuelle Mängel unverzüglich, spätestens innerhalb von 8 Tagen nach Erhalt der Ware - bei zunächst nicht erkennbaren Mängeln innerhalb von 8 Tagen nach deren Bekanntwerden - per Einschreiben bei uns geltend zu machen. Bei offensichtlichen Mängeln trifft die vorgenannte Verpflichtung auch Nichtkaufleute. Werden berechtigte Mängel gerügt, sind wir lediglich zur Nachbesserung bzw. zur Ersatzlieferung verpflichtet, allerdings erst, nachdem uns die von uns gelieferte Ware zur Verfügung gestellt worden ist. Wir behalten uns die Überprüfung etwa gerügter Mängel durch den jeweiligen Hersteller vor und sind nicht zu Nachbesserungen oder Ersatzlieferungen verpflichtet, bevor dessen Prüfungsergebnis vorliegt. Nach endgültig fehlgeschlagener Nachbesserung bzw. Ersatzlieferung ist der Besteller zur Wandelung oder Minderung berechtigt. Gewährleistungsansprüche entstehen nicht, wenn der Fehler zurückzuführen ist auf Verletzung von Bedienungs-, Wartungs- und Einbauvorschriften, ungeeignete oder unsachgemäße Verwendung, fehlerhafte oder nachlässige Behandlung und natürlichen Verschleiß sowie vom Besteller oder Dritten vorgenommenen Eingriffen in den Liefergegenstand sowie Schäden aus sportlichen Einsätzen.
5. Schadenersatzansprüche des Bestellers - aus welchem Rechtsgrund auch immer - insbesondere der Ersatz für verspätete Auslieferung und mittelbare Schäden sind ausgeschlossen. Dies gilt nicht, soweit uns Vorsatz oder grobe Fahrlässigkeit zur Last fällt.
6. Wir behalten uns das Eigentum an sämtlichen von uns gelieferten Waren bis zur restlosen Bezahlung sämtlicher Forderungen aus unserer Geschäftsbeziehung mit dem Besteller vor. Veräußert der Besteller die gelieferte Ware weiter, so tritt er hiermit schon jetzt die ihm aus der Veräußerung entstehenden Forderungen gegen seinen Abnehmer in voller Höhe an uns ab. Übersteigt der Wert unserer Sicherheiten gegen den Besteller (etwaige Eigentumsvorbehalte zuzüglich etwaiger Forderungsabtretungen) unsere Forderung gegen den Besteller, so werden wir auf dessen Verlangen die Sicherheiten, die unsere Forderung übersteigen, freigeben.
7. Bei vom Besteller zu vertretender Falschbestellung ist ANGLO-PARTS bereit, unbeschädigte Artikel zurückzunehmen. Die Rücksendung erfolgt unter Beifügung einer Rechnungskopie auf Kosten und Gefahr des Bestellers. Eine Rücksendung ist nicht mehr möglich 30 Tage nach dem Rechnungsdatum. Bei Ersatzteilen mit denen ein Einbauversuch unternommen wurde, ist eine Rücksendung ebenfalls ausgeschlossen. ANGLO-PARTS erstattet den Rechnungsbetrag der zurückgesandten Ersatzteile abzüglich einer Wiedereinlagerungsgebühr von 15 % des Rechnungsbetrages.
8. Für Ersatzteile die auf Austauschbasis angeboten werden, wird der in der Preisliste neben dem Ersatzteilpreis angegebene Mehrkostenpreis berechnet. Dieser Mehrkostenpreis wird ganz oder teilweise zurückerstattet, vorausgesetzt der Besteller übersendet auf eigene Kosten und Risiko unter Beifügung einer Rechnungskopie das entsprechende alte Bauteil komplett, sauber und ölfrei innerhalb von zwei Monaten nach Rechnungsdatum. Bei Rücksendungen aus dem Ausland muß der Besteller eine Bestätigung beifügen, aus der sein Name, Anschrift das Versendungsdatum sowie eine Beschreibung der Güter hervorgeht. Bei der Rücksendung eines falschen Bauteils wird nur der jeweilige Stückwert erstattet. Insoweit führt ANGLO-PARTS eine Schätzung durch.
9. Ersatzteile die bei Erteilung des Auftrages nicht lieferbar sind, werden, wenn keine anderslautende Anweisung des Bestellers vorliegt, als Backorder behandelt. Bei Eintritt der Lieferfähigkeit wird der Besteller in Kenntnis gesetzt. Die entsprechenden Ersatzteile werden für einen Zeitraum von 14 Tagen nach Absendung der Bestätigung für den Besteller reserviert. Backorders können jederzeit vom Besteller annulliert werden.
10. Als Erfüllungsort für die Lieferung und Zahlung sowie als Gerichtsstand gilt - sofern der Besteller Kaufmann ist - Wetzlar als vereinbart. Darüberhinaus gilt ausschließlich das Recht der Bundesrepublik Deutschland. Das Übereinkommen der Vereinten Nationen vom 11.04.1980 über Verträge über den internationalen Warenkauf findet keine Anwendung.
11. Sollte eine Bestimmung dieser Bedingungen und der von uns mit dem Besteller getroffenen weiteren Vereinbarungen unwirksam sein oder werden, so wird dadurch die Gültigkeit des Vertrages im übrigen nicht berührt. Die Vertragspartner sind verpflichtet, die unwirksame Bestimmung durch eine solche zu ersetzen, mit der der wirtschaftliche Erfolg der unwirksamen Bestimmung möglichst erreicht wird. Sollten sich aus diesen Allgemeinen Verkaufs- und Lieferbedingungen und den Allgemeinen Informationen Widersprüche ergeben, genießen diese Allgemeine Verkaufs und Lieferbedingungen Vorrang.
12. Hinweis gemäß § 33 BDSG: Name und Anschrift des Auftraggebers sowie alle für die Auftragsabwicklung erforderlichen persönlichen Daten werden ausschließlich für eigenen geschäftlichen Zwecke in automatisierten Dateien gespeichert und Dritten nicht zugänglich gemacht.

**VIKTIGT ATT VETA**

Företagets allmänna policy står skrivet på baksidan av våra fakturor och på vår hemsida. Uppdateringar finns i de senaste katalogerna, och våra senaste prislistor hittar ni på hemsidan. När du beställer varor från oss accepterar du vår policy. Var inte rädd för att fråga efter en uppdaterad publikation. Den senaste upplagan är den giltiga upplagan. Vänligen läs våra viktigaste punkter nedan.

VÅRA FÖRSÄLJARE

Vi är inte professionella biltekniker och kan inte hållas ansvariga för fel vi säger eller skriver; vi är bilentusiaster som vill vara behjälpliga. För teknisk information rekommenderar vi att du använder någon av böckerna som står med i denna katalog.

VÅR KATALOG/HEMSIDA

Vi eftersträvar att informationen i våra kataloger och på vår hemsida ska vara så korrekt som möjligt. Vi kan inte hållas ansvariga för misstag eller felaktigheter i specifikation, prislista eller artikelnummer. Vi har rätt att rätta till felaktigheter. Bilderna och fotona i vår katalog och på vår hemsida är endast exempelbilder, beställda produkter kan skilja sig utseendemässigt från bilden, men har samma funktionsduglighet och motsvarande kvalitet.

VÅRA RESERVDLSNUMMER & PRISER

Vi har egna artikelnummer till våra reservdelar, unika artikelnummer som gäller för en artikel. ÖNSKAT ANTAL ("QTY") anger antalet delar som behövs för en speciell tillämpning. Mängden du beställer kan vara en annan och ska anges när du beställer. Det är möjligt att beställa begagnade reservdelar om de inte går att få tag i nya. Det är inte alltid de begagnade reservdelarna finns med i prislistan eller på hemsidan. Vi skickar prisuppgift vid efterfrågan. Priser i prislistan och på hemsidan gäller för en artikel. Priserna kan komma att ändras utan förvarning. Du kan välja att se priserna på hemsidan med eller utan moms (21%). Prislistan som följer med katalogen kan exkludera eller inkludera moms, procentdelen står med i respektive prislista. Ett artikelnummer består av 6 tecken. De tre första tecknen anger vilken typ av reservdel som avses. Några exempel: 161 betyder mutter, 162 skruv, 163 bricka etc. Skicket på artikeln vi säljer står beskrivet på hemsidan och i prislistan. Följande koder kan stå vid artikelnumret på hemsidan eller i listan i reservdelskatalogen samt i prislistan som medföljer katalogen: SH – begagnad, EX – utbytesdel (en tilläggsavgift tillkommer och läggs till på fakturan), NA – ej tillgänglig för tillfället, LH – vänster, RH – höger (alltid från förarens sida), LHD – vänsterstyrd, RHD – högerstyrd, A/R – efter behov (betyder att antalet kan variera beroende på användningsområde) USE – artikelnumret har ersatts av annat använt artikelnummer.

BESTÄLLNINGAR

Det går bra att beställa via hemsidan, e-post, fax, telefon eller genom att besöka en av Anglo Parts filialer.

Vid order som inte görs via hemsidan ber vi dig förbereda följande, genom att använda vårt BESTÄLLNINGSFÖRMULÄR.

- Ditt KUNDNUMMER, namn, adress, telefonnummer, arbets/hem, faxnummer, momsregistreringsnummer. Ange om leveransadress skiljer sig från fakturaadress.
 - INFORMATION OM BILEN – märke, modell, årsmodell etc.
 - Ange Anglo Parts artikelnummer
 - Ange önskat antal och en beskrivning av reservdelen
 - Ange hur du kommer att betala för varorna: VISA, MASTER CARD, EURO CARD eller genom förskottsinsättning via bank
 - När en order är gjord lägger vi in uppgifterna i vårt datasystem och därefter behandlas uppgifterna. Att ändra en order som redan är under behandling kommer försena beställningen. Vi ber dig därför att kontrollera din beställning mer än en gång innan du skickar den till oss då det hjälper oss att leverera varorna i tid.
- Tack för visad förståelse.

BETALNING

BETALKORT: I skrivande stund accepterar vi följande betalkort: VISA, MASTER CARD, EURO CARD. Bifoga kortnummer (vanligtvis 16 siffror), giltighetstid och namnet på kortet.

BANK: När dina varor är hoplockade, packade och vägda skriver vi fakturan och informerar dig om total kostnad, fakturanummer och vårt bankkonto. Var snäll och ange fakturanummer och kundnummer på inbetalningen.

FRAKT

NATIONELLT: Vi levererar dörr till dörr. Varor inklusive transportkostnader måste betalas vid leverans, om inte betalkort har använts.

INTERNATIONELLT: För betalning av små paket använder vi oss av UPS förhandsbetalning. Enda kostnad som tillkommer är eventuell skatt i egna landet. Till stora och tunga paket använder vi en ekonomisk och snabb transportmetod. ANGLO PARTS paketerar varorna väl och risken för att motta skadat gods är väldigt liten, notera dock följande: Anglo Parts kan inte hållas ansvariga för gods som försunnit eller skadats under transporten. Om gods saknas eller är skadat och det ej är tillfogat under transporten/frakten ska reklamation vara inlämnad senast tre dagar efter varornas mottagits. Allt förpackningsmaterial ska behållas. Glas som fraktas går inte att försäkra och transporteras på egen risk.

LEVERANS AV GODS

Var vänlig kontrollera att inga förseglingar är brutna eller att varorna inte är skadade när ditt gods levereras. Anteckna på budets fraktsedel om något saknas eller är skadat. Skriv upp antalet och skicket på **varorna INNAN du skriver på fraktfakturan eller följesedeln**. Behåll din kopia tillsammans med fakturan och skicka din anmälan om skada till transportfirman omedelbart. Spara alltid förpackningsmaterialet tills allt är utrett. Anglo Parts kontrollerar alltid varorna både när de plockas från hyllan och när de paketeras, men en sista kontroll måste alltid genomföras av kunden själv vid leverans. **Kontrollera att reservdelarna stämmer överens med det du beställt och att mekaniska delar fungerar.** Vänta inte med att kontrollera varorna tills du behöver dem utan rapportera eventuella fel senast tre dagar efter leverans.

GARANTI

Nästan alla reservdelar som görs till klassiska bilar tillverkas av företag som är villiga att tillverka i mindre antal för ett rimligt pris. På Anglo Parts kontrollerar vi godkänner vi varorna, men vi kan inte inspektera varje individuell artikel. **Det är kundens ansvar att göra en slutgiltig inspektion av reservdelen innan den monteras.** Det är extra viktigt att kontrollera att mekaniska delar fungerar som de ska. Garantin gäller från det datum fakturan skrevs ut, **inte från det datum reservdelen monteras.** Våra reservdelar har normala och skäliga garantitider, men en fordran är begränsad till komponentens/varans/reservdelens värde och täcker inte arbetskostnader, transportkostnader, fel på beställda reservdelar, fel som orsakats av felaktig installation eller delar som används till rally eller annan tävling. Varan som fordran gäller måste lämnas tillbaka till butiken du köpte den från enligt följande procedur: Värdet måste överstiga 7,5 Euro, varorna måste skickas tillbaka och skatt samt transportkostnad ska vara betald, delarna måste returneras rena och väl paketerade; så fort du eller tredje part har nermonterat reservdelen fräntas Anglo Parts ansvar. Anglo Parts beslutar om varan var defekt från början eller om det beror på felaktig montering och hantering. Vi gör en utredning när varan skickats tillbaka till oss i oskadat skick. Varan ska inte skadas vid returen pga. dålig paketering eller transport. Garantin för renoverade reservdelar är begränsad till sex månader, fyra månader för renoverade stötdämpare, för de flesta andra reservdelar gäller garantin i ett år från det datum fakturan skrevs ut och gäller då defekter i material och produktion/utförande av producenten eller av Anglo Parts N.V.

RETURER/REKLAMATIONER

Om du beställt fel vara av misstag kan vi återköpa varan för varans värde minus 15% för att återinföra den i våra hyllor. Vi accepterar inga returer utan en faktura och senast 30 dagar efter det att fakturan skrevs ut; gäller: bärlager, kolvringar, detaljer på metervara, inredning (sufflett, sittbrunnsskapell, stolsklädsel, paneler etc.) böcker eller delar där montering har påbörjats. Varorna måste returneras med betald transport och skatt. Anglo Parts kan ej återbetala skatt om betalats i mottagande land, transport- och paketeringskostnad eller avgift för bankkostnad för betalkort. Du kan använda summan på tillgodokvitto till att betala en framtida order för motsvarande summa. Vi ger ej pengarna tillbaka för ett tillgodokvitto.

TILLÄGGSavgift/Stomavgift

Stomavgift tillkommer på priset för varor som erbjuds som utbytesdetaljer. Stomavgiften syns i katalogens prislista på hemsidan vid respektive artikelnummer och faktureras i väntan på den gamla reservdelen som skickas in som inbyte. Stomavgiften betalas tillbaka när vi fått inbytesdelen, förutsatt att varan är komplett, ren, tömd på olja och skickad till oss inom en tidsperiod av två månader efter det att vi skickat ut fakturan. Var vänlig bifoga en kopia på fakturan. Alla inbytesdelar måste skickas till oss med betald frakt. När du exporterar den gamla varan till oss måste ett brev med följande uppgifter skickas till oss: ditt namn, adress, telefonnummer, datum varorna skickades, en beskrivning av varorna du skickar samt stomavgiften. Ta kopior och sätt en på paketet, lägg en inuti paketet och behåll en kopia själv. Vi behöver ovanstående information för att kunna importera varorna.

När inbytesdelen levererats till oss kontrollerar vi omedelbart: att varan är väl paketerad och att inga skador tillkommit under transporten, om den gamla reservdelen motsvarar den vara vi skickat till dig (original), om varan är komplett och om det går att bygga om/rekonditionera väsentliga delar. Vi ber dig att inte skicka en torkarmotor från en MGA som utbytet mot en torkarmotor till en TD. Skicka inte en strömfördelare utan vakuumenthet. I det senare exemplet kommer vi ta en ersättning ur stomavgiften för strömfördelaren minus värdet för vakuumentheten.

RESTORDRAR

Varor som inte finns på lager när du lägger din beställning överförs till en restorder. Vi informerar dig när varorna finns tillgängliga igen och reserverar dem åt dig under fjorton dagar, räknat från den dag du informerades om att varorna kommit in. Om du inte kontaktar oss under denna period överförs varorna till vårt lager och kan beställas av andra kunder. När du beställer kan du även välja "Inga restordrar" eller be om att annullera alla tidigare restordrar. När en vara som ligger som restorder tas ur sortimentet informerar vi dig även om detta. Om du då vill ha ett begagnat exemplar av varan meddelar du oss detta, så gör vi vårt bästa för att få fram ett sådant.



PUNTOS IMPORTANTES

Las políticas de nuestra empresa se encuentran en el reverso de nuestras facturas y en la web. Las actualizaciones están impresas en nuestros catálogos más recientes, en las listas de precios y en la web. Cuando nos realiza un pedido usted está aceptando dichas políticas. Uste siempre es libre de consultarnos sobre la publicación de alguna actualización. Las más recientes prevalecerán sobre todas las anteriores. Por favor lea abajo los puntos más importantes.

NUESTROS VENDEDORES

No somos técnicos cualificados sobre automóviles y no podemos hacernos responsables de errores dichos o escritos, somos entusiastas a los que les gusta ayudar. Para información técnica, les recomendamos que utilicen los libros listados en los catálogos.

NUESTROS CATÁLOGOS/WEB

Hemos realizado todos los esfuerzos para asegurar que la información introducida en nuestros catálogos y nuestra web, es correcta. No podemos hacernos responsables si algún error o inexactitud existe en la especificación, la fijación de precios o el número de referencia. Tenemos el derecho de corregir cualquier error. Las ilustraciones y fotos en nuestros catálogos y en nuestra web solo son representaciones, los productos pueden variar de las fotos y las ilustraciones, pero la función es la misma con una calidad similar.

NUESTRAS REFERENCIAS Y PRECIOS

Todos los recambios (o kits de recambios) tienen nuestra propia referencia y se refieren a un solo punto. LA CANTIDAD REQUERIDA ("QTY") corresponde a la cantidad utilizada para la aplicación en particular. La cantidad que usted pida puede ser diferente y pudo ser marcada cuando usted la solicitó. No hay recambios nuevos disponibles, podría estar disponible de segunda mano. Estos recambios de segunda mano no siempre están listados en la web o en nuestra lista de precios. La información le será enviada cuando la solicite. Los precios listados en la web o en la lista de precios son para un solo punto y podrán ser variados sin previo aviso. Los precios en la web los podrá ver con o sin IVA, dependiendo de lo que elija. Las listas de precios enviadas con los catálogos pueden incluir, o no, el IVA, el porcentaje se indica en cada lista de precios. Las referencias se componen de seis caracteres. Los tres primeros caracteres indican la naturaleza del recambio. Por ejemplo 161 hace referencia a los piñones, 162 para tornillos, 163 para arandelas, etc. La condición de los recambios que vendemos está especificada en la web y en la lista de precios. La totalidad de los códigos aparece en la web, en el listado de catálogo de recambios y en la lista de precios suministrada con los catálogos, al lado de el número, para los recambios que son...SH – Second Hand (Segunda Mano), EX - suministrados sobre una base de intercambio, y una sobretasa será facturada, NA – Actualmente no disponible, LH – Left Hand (mano Izquierda) o RH – Right Hand (mano derecha). Siempre visto desde el asiento del conductor. LHD – Left Hand Drive (Unidad Izquierda), RHD – Right Hand Drive (Unidad derecha), A/R – As Requested (como lo solicitó), quiere decir que la cantidad solicitada puede variar de una aplicación a otra. USE – La referencia se reemplazó por otra indicada.

PEDIDOS

Recibimos los pedidos a través de la web, e-mail, fax, carta, teléfono o visitando una sucursal de Anglo Parts. Para los pedidos que no sean a través de la web, les agradeceremos los preparen utilizando los formularios.

- Su NÚMERO DE CLIENTE. Nombre, dirección, número de teléfono casa/trabajo, número de fax, codice fiscal (para clientes italianos) o número de IVA para compañías europeas. –Especificar si la dirección de entrega es diferente.
- INFORMACIÓN DEL TIPO DE COCHE, marca, modelo, año de fabricación, etc.
- Solo denos la referencia de Anglo Parts
- Indique la cantidad deseada y la descripción del recambio.
- Indique el método de pago: VISA, MASTER CARD, EURO CARD, o pago por ingreso en cuenta.
- Una vez realizado el pedido, ponemos el mismo en el sistema informático y procesamos labels, listas y listas de control. Cambiar un pedido realizado, esto causa retrasos en el sistema, **le agradeceremos que revise su pedido antes de enviarlo.** Esto no ayudará a entregar sus recambios a tiempo. Gracias por su comprensión.

PAGOS

TARJETAS DE CRÉDITO: En este momento aceptamos las siguientes tarjetas de crédito: VISA, MASTER CARD, EURO CARD. Por favor especifique el número de tarjeta de crédito (máximo 16 cifras), fecha de caducidad y nombre, tal como aparece en la tarjeta.

BANCO: Cuando su mercancía esté recogida, empaquetada en cajas, pesada y medida, se hará la factura y le informaremos del total a pagar, el número de factura (no por la web) y los datos de nuestro banco. Por favor indique el número de factura y el número de cliente con cualquier pago que haga.

ENVÍO

NACIONAL: Entregamos de puerta a puerta y la mercancía, incluyendo el transporte, se pagarán en el momento de la entrega. C.O.D: si no se utilizó una tarjeta de crédito

INTERNACIONAL: Enviamos por UPS prepagado, en paquetes pequeños. El único coste que debe ser pagado a la recepción pueden ser sus impuestos locales. Para paquetes más grandes utilizamos otro tipo de transporte más rápido y sencillo. Anglo Parts empaqueta sus cajas perfectamente, con lo que la posibilidad de que el material sufra daños es muy pequeña, aún así estas deben ser notificadas. Anglo Parts no se puede hacer responsable de los materiales que se pierdan o se dañen durante el transporte. Por faltas o daños realizados por el transporte, las reclamaciones deben notificarse como máximo tres días después de la recepción del pedido. Todos los materiales del embalaje deben mantenerse. El transporte de cristales no es asegurable y será enviado por su cuenta y riesgo.

RECIBIENDO SUS MATERIALES

Para todos los envíos, a la llegada, por favor compruebe que ningún sello o cinta esté rota y que el paquete no esté dañado. En caso de algún daño o falta, escriba esto en la hoja del repartidor de acuerdo con la situación actual y la cantidad contenida **antes de firmar el transporte o la factura.** Haga una copia, adjúntela a la factura y realice, inmediatamente, una reclamación a la compañía transportista. En cualquier caso, guarde el material del embalaje hasta que todo se resuelva. Anglo Parts chequea las mercancías cuando se recogen desde el stock y otra vez cuando se empaqueta, **pero la última revisión la debe hacer el mismo cliente cuando las recibe.** Asegúrese de que los recambios recibidos coinciden con los que solicitó y de que funcionan correctamente. No espere a hacer el control de las mercancías hasta que las necesite e infórmenos de los problemas antes de tres días desde la recepción.

GARANTÍA

Casi todos los recambios para la industria de coches clásicos se realizan en pequeñas cantidades por compañías que están dispuestas a hacerlos por un precio aceptable. En Anglo Parts revisamos dichos recambios para su aprobación, pero no somos capaces de revisar cada una de ellas. **Es responsabilidad del cliente realizar una revisión final del recambio antes de su colocación.** Especialmente se deben revisar los recambios mecánicos para asegurarse de que funcionan perfectamente. El periodo de garantía empieza desde la fecha de factura, **no desde la de instalación.** Nuestros recambios tienen, normal y razonablemente, garantía, pero las reclamaciones por garantía se efectuarán dependiendo del valor de los componentes y no cubrirán el trabajo, transporte, fallos del componente, fallos producidos por la instalación defectuosa o recambios utilizados para rallies o competiciones. Todos los productos para la reclamación de garantía, deben ser devueltos a la tienda donde los compró mediante los siguientes procedimientos: el valor debe ser superior a 7,5 euros; el material debe ser enviado con las tasas y los portes pagados; todos los materiales deben ser devueltos limpios y bien empaquetados. Una vez usted, o terceras personas, hayan desempaquetado el recambio, nuestra responsabilidad termina!

Anglo Parts tomará la decisión final de si el recambio es defectuoso o se ha dañado durante la instalación. Investigaremos este suceso una vez hayamos recibido de vuelta el material sin daños. Durante la devolución estos materiales no pueden ser dañados debido al transporte o un mal embalaje. El periodo de garantía para recambios reacondicionados es de 6 meses y de 4 para amortiguadores reconstruidos, las demás piezas están garantizadas contra defectos en el material y la mano de obra del fabricante original o por Anglo Parts NV por un periodo de un año a partir de la fecha de factura.

DEVOLUCIONES

Si usted recibió una pieza equivocada, y el fallo es suyo, nosotros estamos dispuestos a reponerla y reembolsaremos el precio del material menos el 15% de recargo por reposición. No se aceptará ninguna devolución sin su copia de la factura, pasados 30 días de la fecha de factura, cojinetes, pistones, aros de pistón, mercancías por metro, partes recortables (capuchas, tapas blandas, cubre tonel, kits de asiento, paneles, etc.) libros o cualquier pieza donde se intentara su instalación. Los materiales deben ser enviados con las tasas y los portes pagados. Anglo Parts no es capaz de devolver las tasas pagadas en el país de llegada, los cargos por transportes o empaquetado ni las comisiones que tuvo que pagar a la compañía de la tarjeta de crédito. Usted puede utilizar el importe de esta factura para un futuro pedido del mismo importe. No devolvemos el importe de los créditos.

SOBRECARGO – CORE DEPÓSITOS

Un sobrecargo se añadirá en el precio para piezas ofrecidas sobre bases de intercambio. El precio del sobrecargo lo podrá ver en la web en el listado de catálogos de recambios y está listado en nuestra lista de precios al lado de la referencia relacionada y será facturado en espera del retorno de la unidad reciclable antigua. Este sobrecargo se reembolsará en su totalidad siempre que recibamos la unidad completa, limpia, sin aceite y devuelta después de dos meses de nuestra fecha de factura. Todas las devoluciones se realizarán con los cargos por transporte pagados. Si usted nos exporta la antigua unidad, nos debe enviar una carta con su nombre, dirección, teléfono, fecha de envío y una descripción del material que nos está devolviendo, incluyendo el importe del sobrecargo. Por favor haga algunas copias y adjunte una en el paquete, una en el embalaje y guarde una para usted. Necesitaremos esta información para exportar el material. En cuanto llegue revisaremos, inmediatamente, los siguientes puntos: que el embalaje sea correcto y no haya sufrido ningún daño durante el transporte, que la unidad antigua es similar al tipo de la que nosotros le enviamos (correcto original), que la unidad esté completa y estén las partes esenciales para su reconstrucción. Por favor, no nos envíe un motor de limpiaparabrisas de MGA para cambiar con un de TD, no nos mande una distribución sin el sistema de avanzado. En este último la muestra le devolveremos el recargo por el distribuidor menos el valor (en nuestra opinión) del sistema de avanzado.

BACKORDERS

LOS Materiales que no estén en stock cuando realice su pedido se guardarán como back orders. Nosotros le informaremos cuando estos materiales estén disponibles de nuevo y se los reservaremos por un periodo de catorce días a contar desde el momento en el que le informamos. Si usted no se pone en contacto con nosotros durante ese periodo de tiempo, pondremos el recambio en nuestro stock para que pueda ser vendido a otros clientes. Al realizar un pedido usted también puede especificar que no quiere Back Orders o solicitar la cancelación de los Back Orders anteriores. Cuando un recambio que usted tiene en back order pasa a ser obsoleto, se lo haremos saber. Si usted decide coger esta pieza en condición de usada, pregúntenos y haremos todo lo posible para obtenerla.



DŮLEŽITÉ BODY

Všeobecné podmínky naší firmy jsou vtištěny na zadní straně našich faktur a jsou k dispozici na našich webových stránkách. Aktualizace jsou vtištěny v posledních verzích katalogů a ceníků. Jsou obnovovány i na webových stránkách. V případě, že si u nás objednáte zboží, znamená to, že souhlasíte s našimi podmínkami. Poslední aktualizace jsou nadřazeny všem ostatním. Prosím, přečtěte si níže uvedené důležité body.

NAŠI PRODEJCI

Nejsme vyučení automechanici a nemůžeme být zodpovědní za chyby, které řekneme nebo napíšeme, jsme nadšenci, kteří chtějí pomoci. Pro technické informace doporučujeme využít knihy vyobrazené v našem katalogu.

NAŠE KATALOGY/ WEBOVÉ STRÁNKY

Snažíme se vynaložit maximální úsilí, aby informace v našich katalogech a na webových stránkách byly správné. Nemůžeme nést odpovědnost v případě, že se objeví ve specifikaci, ceně nebo katalogovém čísle chyba. Máme právo opravit jakoukoliv chybu. Ilustrace a fotky v našich katalogech a na našich webových stránkách jsou pouze ilustrativní, dodávané produkty se mohou lišit od ilustrací a fotek, ale budou fungovat stejným způsobem a budou v podobné kvalitě.

NAŠE KATALOGOVÁ ČÍSLA & CENY

Naše díly (nebo sety dílů) mají vlastní katalogové číslo, které náleží pouze jedné položce. POŽADOVANÉ MNOŽSTVÍ (QTY) uvádí množství potřebné pro danou aplikaci. Množství, které chcete objednat se může lišit a mělo by být uvedeno při Vaší objednávce. Díly, které nejsou dostupné jako nové, mohou být dostupné pouze použité a zrenovované. Tyto second hand díly nejsou vždy uváděny na našich webových stránkách a v cenících. Informace Vám budou zaslány na základě Vašeho požadavku. Ceny na webových stránkách a v cenících jsou uváděny za jeden kus a jsou pouze informativní. Mohou být kdykoliv bez oznámení změněny. Ceny na webových stránkách jsou k vidění jak bez, tak i včetně DPH. (21% - belgická sazba DPH). Ceník dodávaný s katalogy může obsahovat ceny jak s DPH, tak i bez DPH. Lokální sazba DPH je vždy uvedena v každém katalogu. Katalogová čísla se skládají ze 6 číslic. První tři číslice uvádí druh dílu. Např. 161 signalizuje matky, 162 šrouby, 163 podložky atd. Stav dílu, které prodáváme je indikován na webových stránkách a v cenících. Následující kódy se objevují na webových stránkách a v cenících vedle katalogového čísla. Pro díly ... SH - second hand díl, EX - díl dodán na základě výměny a SURCHARGE (příplatek) bude fakturována. NA - díl je nedostupný, LH - levá strana, RH - pravá strana. Vždy bráno z pohledu řidičova sedadla. LHD - levostranné, RHD - pravostranné, A/R - dle požadavku, znamená, že požadované množství se může lišit dle požadavku. USE - katalogové číslo bylo nahrazeno jiným katalogovým číslem.

OBJEDNÁVKY

Objednávky jsou vítány přes webové stránky, e-mail, fax, dopis, telefon nebo při návštěvě pobočky společnosti Anglo-Parts.

Pokud neobjednáte přes webové stránky, prosíme abyste si připravili následující informace na našem OBJEDNACÍM FORMULÁŘI.

- Vaše ZÁKAZNICKÉ ČÍSLO, jméno, adresu, tel. číslo, event. fax. číslo, event. DIČ. Prosím uveďte jinou adresu pokud se liší od fakturační adresy.
- INFORMACE O VOZE, značka, model, rok výroby atd.
- Uveďte katalogové číslo společnosti Anglo Parts
- Uveďte potřebné množství a popis dílu
- Uveďte metodu platby: VISA, MASTER CARD, EURO CARD nebo platbu předem bankovním převodem.
- Je-li jedinou objednávkou potvrzena, zadáváme ji ihned do počítače a připravujeme faktury atd. V případě, že chcete opravit objednávku, musíme ji opravit v celém systému a to způsobuje časová zpoždění. Proto Vás žádáme, abyste si raději překontrolovali Vaši objednávku než ji odešlete. Tak nám pomůžete dodat díly včas. Děkujeme za pochopení.

PLATBA

KREDITNÍ KARTY: v současné době akceptujeme tyto karty: VISA, MASTER CARD, EURO CARD. Prosím, zadejte 16-ti místné číslo Vaší karty, datum expirace a jméno uvedené na platební kartě.

BANKA: Poté co bude zboží zabaleno do krabic, zváženo a změřeno, připravíme fakturu a informujeme Vás a o celkové částce, čísle faktury a naše bankovní spojení.

POŠTOVNÉ

Národní: Dodáváme naše zboží až k Vaším dveřím. Většinou formou dobírky.

Mezinárodní: Používáme UPS pro malé balíky. Cena dopravného je vždy uvedena na faktuře. Jediné, co budete muset uhradit při dodání dílu je clo (v případě, že se nacházíte mimo prostor Evropské Unie) Pro rozměrné nebo velké balíky využíváme ekonomické metody. Anglo Parts balí své zboží velmi důkladně, aby riziko poškození dílu bylo co nejmenší. Anglo Parts nenesou odpovědnost v případě, že se zboží poškodí nebo ztratí v průběhu dopravy. V případě, že na vině není dopravce, námitka musí být vznesena během 3 dnů od dne obdržení zboží. Všechny obaly zboží musí zůstat neporušené. Doprava skel není pojistitelná a toto zboží bude dopravováno na vlastní nebezpečí.

OBDRŽENÍ ZBOŽÍ

Při převzetí zboží zkontrolujte, zda žádné pásky nejsou porušeny a zda balík není poškozen. V případě poškození napište tento poznatek do poznámek dopravce **před tím než balík převezmete.** Nechte si kopii tohoto zápisu spolu s fakturou a ihned vznesete požadavek na dopravní společnost. Zschovejte si balicí materiál jako důkaz dokud nebude vše vyřešeno. Anglo Parts kontroluje zboží při vyjmutí ze skladu a dále pak při balení. **Finální kontrolu musí ale provést zákazník.** Zkontrolujte, prosím, zda díly souhlasí s díly, které jste si objednali. Nečekejte do té doby než budete díl potřebovat, ale ozkoušejte ho ihned a v případě problému vznesete námitku do 3 dnů.

ZÁRUKA

Skoro většina dílů pro historická vozidla jsou vyráběny v malých objemech společností, které jsou ochotny tento díl vyrábět a prodávat za přijatelnou cenu. My v Anglo Parts kontrolujeme kvalitu zboží, ale nejsme schopni kontrolovat jednotlivé kusy. **Je odpovědností každého zákazníka provést finální kontrolu dílů před instalací.** Záruka začíná dnem vystavení faktury, **ne dnem instalace.** Na naše díly se vztahuje běžná záruka a námitky se vztahují pouze do výše daného komponentu. V žádném případě se nevztahuje na práci, dopravu, selhání dalších komponentů, selhání z důvodů špatné instalace a dále se nevztahuje na díly, které byly použity pro závody. Všechny reklamované díly musí být doručeny zpět do obchodu, ve kterém jste je pořídili. Cena dílu musí být větší než 7,5 euro, díly musí být zaslány zpět včetně zaplacení dopravy a event. cla. Všechny díly musí být zaslány očištěné a dobře zabalené, v případě, že Vy nebo třetí osoba díl rozebrala, záruka na díl již nepřetrvává. Anglo Parts udělá finální rozhodnutí, zda byl díl přirozeně vadný nebo zda byl poškozen během instalace. Během navrácení dílů by neměly být díly poškozeny špatným balením. Záruka na zrenovované díly je omezena 6 měsíci a 4 měsíci na zrenovované tlumiče. Ostatní díly jsou v záruce proti defektu na materiálu či dílenském zpracování výrobcem nebo Anglo Parts nv v délce trvání jednoho roku, začínající dnem fakturace.

VRATKA

V případě, že obdržíte nesprávný díl a chyba je na Vaší straně, jsme ochotní přijmout zboží zpět na sklad s 15% poplatkem. Žádné vratky nebudou provedeny bez Vaší faktury nebo její kopie. Nebudou akceptovány vratky na ložiska, písty, pístní kroužky, zboží prodávané na metry, čalounické zboží (střechy, krycí plachty, kity sedadel atd) Zboží musí být vráceno se zaplacenými náklady na dopravu a clo. Anglo Parts není schopná platit clo v zemi příjemce, náklady na dopravu, balné a komisionní poplatky, které musí odvádět poskytovateli terminálu platebních karet.

PŘÍPLATEK

Přirážka bude přidána k ceně dílů nabízených na základě výměnné báze. Výše příplatku je k vidění na webových stránkách nebo v cenících a bude fakturována až do doby návratu starého opravitelného dílu. Tato přirážka bude vrácena v případě, že díl bude kompletní, čistý, zbavený oleje a vrácen do dvou měsíců od data fakturace. Prosíme také o poskytnutí fotokopie Vaší faktury. Všechny vratky musí být poslány zpět k nám s předplaceným poštovním. V případě, že nám zasíláte svůj starý díl, měl by být přiložen dopis s Vaším jménem, adresou, datem zaslání, tel. číslem, popisem zboží a výší vratky. Prosíme o více kopií, jednu vložte do balíku, jednu nalepte na balík a jednu si nechte pro sebe. Budeme tyto informace potřebovat. Ihned po obdržení Vašeho balíku zkontrolujeme stav balení, zda nedošlo k poškození během transportu, zda je díl kompletní a zda je díl opravitelný. Prosím, nezasílejte nám motorek stěračů na MGA na výměnu za MGTD atd. V tomto případě bude vratka snížena oproti původní výši.

ZPĚTNÁ ZÁVAZNÁ OBJEDNÁVKA

Zboží, které není skladem v čas Vaší objednávky bude vedena jako zpětná závazná objednávka (backorder). Budeme Vás informovat o tom, kdy dané zboží bude opět dostupné a dané díly pro Vás budou rezervovány po dobu 14 dní ode dne, kdy budete informováni. V případě, že nás nebudete kontaktovat během této periody, zařadíme tento díl (tyto díly) zpět do skladu pro ostatní zákazníky. Při objednávkách dílů můžete specifikovat „Žádné zpětné objednávky“ nebo nás můžete požádat abychom ukončili všechny Vaše zpětné závazné objednávky. Když se Vámi objednaný díl stane úplně nedostupným, budeme Vás informovat. V případě, že se rozhodnete pro použití díl, prosím, informujte nás a my se ho pokusíme pro Vás sehnat.



WAŻNE

Ogólne zasady naszej działalności są drukowane na odwrocie każdej faktury oraz są dostępne na naszej stronie internetowej. Wszelkie aktualizacje są zamieszczane w najnowszych katalogach, a cenniki są aktualizowane na naszej stronie internetowej. Zamawiając towary w Anglo Parts, wyrażasz zgodę na oraz akceptujesz zasady obowiązujące w naszej firmie. Zawsze możesz zwrócić się do nas w celu uzyskania aktualnego wydania. Najbardziej aktualne wydanie zastępuje wszystkie poprzednie publikacje. Prosimy o przeczytanie najważniejszych informacji znajdujących się poniżej.

NASI SPRZEDAWCY

Nie jesteśmy wyspecjalizowanymi technikami samochodowymi i nie ponosimy odpowiedzialności za błędy popełnione w naszych wypowiedziach ustnych lub pisemnych - jesteśmy entuzjastami, którzy chcą udzielić pomocy. W celu zdobycia informacji technicznych, zalecamy zapoznanie się z książkami wymienionymi w niniejszym katalogu.

NASZE KATALOGI/STRONA INTERNETOWA

Dokładamy wszelkich starań, aby informacje umieszczone w naszych katalogach oraz na stronie internetowej były poprawne. Nie ponosimy odpowiedzialności za jakiegokolwiek błędy lub nieścisłości pojawiające się w specyfikacjach, cennikach lub numerach części. Mamy prawo do poprawiania jakiegokolwiek błędów. Ilustracje oraz zdjęcia umieszczone w naszych katalogach oraz na stronie są jedynie podobiznami, a dostarczane produkty mogą różnić się od ilustracji lub zdjęć, jednak będą działać w taki sam sposób i będą podobnej jakości.

NASZE NUMERY CZĘŚCI ORAZ CENY

Wszystkie części (lub zestawy części) posiadają nasz numer, który odnosi się tylko do jednej sztuki towaru. WYMAGANA ILOŚĆ ("ILOŚĆ") oznacza ilość używaną w danym zastosowaniu. Ilość, którą zamawiasz może być inna i powinna być zaznaczona w momencie składania zamówienia. Części, które nie są dostępne jako nowe, mogą być dostępne jako używane. Części używane nie zawsze są umieszczane na stronie oraz w cennikach. Taka informacja zostanie przesłana na życzenie Klienta. Ceny zamieszczone na naszej stronie oraz w cennikach dotyczą jednej sztuki towaru oraz są zamieszczone jedynie w celach informacyjnych i podlegają zmianie bez uprzedniej informacji. Ceny zamieszczone na stronie internetowej są dostępne z podatkiem lub bez podatku VAT (21 %), zgodnie z wybraną opcją. Cenniki dostarczane wraz z katalogami mogą zawierać lub nie zawierać lokalny podatek VAT, przy czym wartość procentowa jest podana w każdym cenniku. Numery części składają się z sześciu znaków. Pierwsze trzy znaki wskazują rodzaj części. Na przykład, 161 oznacza nakrętkę śruby, 162 śruba, a 163 podkładkę. Stan części, którą sprzedajemy jest podany na stronie internetowej lub w cenniku. Następujące kody pojawiają się na stronie internetowej w spisie części dostępnym w katalogu oraz w cennikach dostarczanych razem z katalogami, obok numeru części: SH - Używane, EX - Dostarczone na ZASADZIE ZAMIANY, a na fakturze zostanie doliczona DODATKOWA OPŁATA. NA - obecnie NIEDOSTĘPNE. LH - lewa strona lub RH - prawa strona. Zawsze od strony kierowcy. LHD - kierownica z lewej strony, RHD - kierownica z prawej strony, A/R - WEDLE ŻYCZENIA, co oznacza, że wymagana ilość może się różnić w każdym zamówieniu. USE - numer części został zastąpiony innym wskazanym numerem części.

ZAMÓWIENIA

Przyjmujemy zamówienia przez STRONĘ INTERNETOWĄ, E-MAIL, FAKS, LISTOWNIE, TELEFONICZNIE lub przez osobiste odwiedzenie filii Anglo-Parts. **Przy zamówieniach nie składanych przez naszą Stronę, prosimy o przygotowanie następujących informacji, przy użyciu naszego FORMULARZA ZAMÓWIENIA.**

- Twój NUMER KLIENTA, imię, adres, numer telefonu (praca/dom), numer faksu, codice fiscale (jedynie w przypadku obywateli Włoch) lub numeru VAT, w przypadku firm europejskich.
- Prosimy o informację, jeśli adres do wysyłki jest inny od powyższego.
- INFORMACJA O TYPIE SAMOCHODU tj. marka, model, rok produkcji itd.
- Prosimy o podanie jedynie NUMERÓW CZĘŚCI Anglo Parts.
- Prosimy o wskazanie ilości oraz opisu zamawianych części.
- Prosimy o wskazanie metody płatności: VISA, MASTER CARD, EURO CARD lub płatność z góry za pośrednictwem banku.

- Po złożeniu zamówienia, zostaje ono wprowadzone do systemu komputerowego i rozpoczyna się przetwarzanie oznaczeń, spisów oraz list kontrolnych. Zmiana uprzednio złożonego zamówienia, wstrząsamy cały system, co automatycznie powoduje opóźnienia. Z tego powodu prosimy o ponowne sprawdzanie zamówienia przed wysłaniem go do nas. Pomoże nam to dostarczyć części na czas. Z góry dziękujemy za zrozumienie.

PŁATNOŚCI

KARTY KREDYTOWE: W momencie sporządzania regulaminu, akceptujemy następujące karty kredytowe: VISA, MASTER CARD, EURO CARD.

Prosimy o podanie numeru karty (zazwyczaj 16 znaków), datę końca ważności karty oraz imię posiadacza karty.

BANK: Faktura zostanie sporządzona po tym, jak towar zostanie wybrany, zapakowany, ważony oraz zmierzony, po czym poinformujemy Cię o łącznej kwocie do zapłaty **(Nie w przypadku Strony internetowej)** oraz referencjach bankowych. Przy jakichkolwiek płatnościach, prosimy o zwrócenie uwagi na numer faktury oraz numer klienta.

PRZESYŁKA

KRAJOWA: Dostarczamy towar do Klienta, a płatność wraz z kosztami przesyłki zostanie uregulowana w gotówce przy odbiorze, jeśli nie użyto karty kredytowej.
MIĘDZYKRAJOWA: Przy niewielkich przesyłkach korzystamy z usług UPS przy płatności z góry. Wówczas jedynym kosztem pokrywanym przy odbiorze jest lokalny PODATEK. Przy dużych i ciężkich przesyłkach korzystamy z ekonomicznych i szybkich metod transportu. ANGLO PARTS przygotowuje przesyłki z należytą starannością, a ryzyko otrzymania uszkodzonego towaru jest bardzo niewielkie, jednak należy wziąć pod uwagę, co następuje. Anglo Parts nie ponosi odpowiedzialności za towary zagubione lub uszkodzone podczas transzytu. W przypadku reklamacji dotyczących braków lub uszkodzeń, które nie zostały spowodowane przez przewoźnika, reklamacja musi zostać złożona w ciągu trzech dni od daty otrzymania zamówienia. Należy zachować wszystkie elementy opakowania. Przewóz szkła nie jest objęty ubezpieczeniem i będzie przewożony na własne ryzyko.

ODBIÓR TOWARU

W przypadku wszystkich przesyłek dostarczanych do Klienta, prosimy o sprawdzenie, czy żadna plomba lub taśma nie jest przerwana oraz czy opakowanie nie jest uszkodzone. W przypadku jakiegokolwiek uszkodzenia lub braków, prosimy o wpisanie takiej informacji w formularz przewoźnika zgodnie ze stanem faktycznym przesyłki oraz ilością towaru PRZED podpisaniem listu przewozowego lub potwierdzenia odbioru. Zatrzymaj kopię dokumentu wraz z fakturą i niezwłocznie złóż reklamację w firmie transportowej. W każdym przypadku zachowaj opakowanie do momentu wyjaśnienia sprawy. Anglo Parts sprawdza części w momencie ich odbioru z magazynu oraz ponownie w czasie pakowania, jednak ostateczna kontrola musi zostać przeprowadzona przez samego Klienta w momencie dostawy. Upewnij się, że otrzymane części są zgodne z zamówieniem oraz, że części mechaniczne działają poprawnie. Nie zwlekaj ze sprawdzeniem towaru do momentu, kiedy będziesz go potrzebował i zgłoś problemy w ciągu trzech dni od momentu otrzymania towaru.

GWARANCJA

Prawie wszystkie części w branży klasycznych samochodów są produkowane w małych ilościach przez firmy, które pragną dostarczać części w rozsądnych cenach. W Anglo Parts sprawdzamy towary, z możliwością ich zwrotu, jednak nie jesteśmy w stanie sprawdzić każdego produktu. To użytkownik ponosi odpowiedzialność za ostateczną kontrolę części PRZED jej zamontowaniem. W szczególności części mechaniczne muszą być sprawdzone, aby upewnić się, że są w stanie idealnym. Okres gwarancji obowiązuje od daty wystawienia faktury, nie od daty instalacji. Nasze części są objęte standardową i rozsądną gwarancją, jednak reklamacje ograniczają się do wartości części i w żadnym wypadku nie będą pokrywały kosztów robocizny, transportu, uszkodzenia powiązanych części, uszkodzenia wynikającego z niepoprawnej instalacji lub wartości części użytych do rajdów lub konkursów. Wszystkie produkty reklamowane w ramach gwarancji muszą zostać zwrócone do punktu sprzedaży, w którym dokonano zakupu zgodnie z następującą procedurą: wartość musi przekraczać 7,5 euro, towar musi zostać odesłany po uprzednim pokryciu kosztów przesyłki oraz podatków, wszystkie zwracane części muszą być czyste i należyte pakowane, jeśli Klient lub jakakolwiek osoba trzecia rozmontowała część, wówczas nie ponosimy żadnej odpowiedzialności.

Anglo Parts ostatecznie zdecydował, czy przedmiot posiadał wadę fabryczną, czy został uszkodzony podczas instalacji. Zajmiemy się reklamacją, jeśli zwrócone towary dotrą do nas w nienaruszonym stanie. Podczas zwrotu towar nie może zostać zniszczony w skutek nieodpowiedniego pakowania lub transportu. Okres gwarancji na naprawienie części trwa od 6 miesięcy do 4 miesięcy na zreperowane amortyzatory, a większość innych części w przypadku wad materiału oraz wykonania są objęte gwarancją oryginalnego producenta lub Anglo Parts na okres jednego roku od daty wystawienia faktury.

ZWROTY

Jeśli otrzymałeś niewłaściwy towar, przez popełnienie błędu podczas składania zamówienia, przyjmujemy taki produkt zwracając wartość produktu po odjęciu 15% w ramach opłaty za ponowne przyjęcie towaru do magazynu. Nie przyjmujemy żadnych reklamacji: bez dostarczenia faktury otrzymanej przez Klienta, po upływie 30 dni od daty wystawienia faktury, dotyczących łożysk, łożków, pierścieni tłokowych towarów sprzedawanych na metr, części wykładziny (dachów składanych miękkich, pokryw przedziału pasażerskiego, zestawów do foteli itp.) książek oraz żadnych części, które próbowano zainstalować. Towary muszą być zwrócone po uprzednim pokryciu kosztów transportu i podatków. Anglo Parts nie jest w stanie zwrócić kwoty podatków obowiązujących w kraju, do którego został dostarczony towar, kosztów przesyłki lub opakowania oraz prowizji, zapłaconej przez nas firmie obsługującej karty kredytowe. Możesz wykorzystać wartość tej noty kredytowej w przyszłości, przy innym zamówieniu na tę samą wartość. Nie zwracamy wartości noty kredytowej.

OPŁATY DODATKOWE - DEPOZYTY RZEMNE

Dodatkowa opłata zostanie dodana do ceny części oferowanych w ramach zamiany. Kwota opłaty dodatkowej jest dostępna na stronie internetowej w katalogowym spisie części oraz jest wymieniona w cenniku obok numeru odpowiedniej części i będzie umieszczona na fakturze po otrzymaniu starej części nadającej się do naprawy. Opłata dodatkowa zostanie zwrócona w całości pod warunkiem otrzymania części kompletnej, czystej, oczyszczonej z oleju oraz zwróconej w ciągu dwóch miesięcy od daty wystawienia faktury. Prosimy również o dostarczenie kopii naszej faktury. Wszelkie zwroty muszą zostać wysłane po uprzednim pokryciu wszystkich kosztów przesyłki. Jeśli eksportujesz do nas stary produkt, prosimy o wysłanie listu zawierającego imię, adres, numer telefonu, datę wysyłki oraz opis produktów, które zwracasz, wraz z wartością opłaty dodatkowej. Prosimy o wykonanie kilku kopii, a następnie przyklejenie jednej na paczce, umieszczenie jednej w środku opakowania oraz zatrzymanie jednej kopii. Ta informacja będzie nam potrzebna przy importowaniu towaru. Od razu po otrzymaniu towaru, sprawdzimy następujące rzeczy: czy towar jest należycie zapakowany oraz czy nastąpiło żadne uszkodzenie w czasie transportu, czy stary produkt jest podobny do produktu wystanego do Klienta (właściwego oryginału), czy produkt jest kompletny oraz czy jego podstawowe części nadają się do naprawy. Prosimy nie przysyłać do wymiany silnika elektrycznego wycieraczki MGA w celu zamiany na silnik elektryczny wycieraczki TD ani dystrybutora bez aparatu zapłonowego bez zaawansowanego systemu. W drugim przypadku, zwrócimy opłatę dodatkową za aparat zapłonowy pomniejszoną o wartość (według naszego uznania) zaawansowanego systemu.

**Spitfire**

Tärkeää tietoa



TÄRKEITÄ ASIOITA

Yleiset yrityksemme menettelytavat löydät laskujemme kääntöpuolelta ja verkkosivuiltamme. Päivitykset lisätään uusimpiin kuvastoihin ja hinnastoihin sekä päivitetään verkkosivuille. Tehdessäsi tilauksen hyväksyt ehdot. Voit aina ottaa yhteyttä saadaksesi päivitetyn julkaisun. Uusin korvaa aina aiemmat. Ole hyvä ja tutustu alla oleviin keskeisiin kohtiin.

MYyntIMIEHEMME

Emme ole koulutettuja autoteknikkoja emmekä ota vastuuta virheistä, joita sanomme tai kirjoitamme. Olemme harrastajia, jotka haluavat auttaa. Teknistä tietoa varten suosittelemme tutustumista tässä kuvastossa listattuihin kirjoihin.

KUVASTOMME/VERKKOSIVUMME

Teemme kaikkemme varmistaaksemme, että kuvastoissa ja verkkosivuilla olevat tiedot ovat oikein. Emme ota vastuuta mahdollisista virheistä tai epätarkkuuksista teknisissä tiedoissa, hinnoissa ja osien numeroissa. Meillä on oikeus korjata kaikki virheet. Havainnekuvat ja valokuvat kuvastoissa ja verkkosivuilla ovat ainoastaan havainnollistavia. Toimitettu tuote voi poiketa kuvassa esitetystä, mutta toimii samalla tavalla ja on yhtä laadukas.

OSIEN NUMEROT JA HINNAT

Kaikki osat (tai osapaketit) on varustettu meidän omalla numerolla ja ne viittaavat vain yhteen tuotteeseen. TARVITTAVA MÄÄRÄ ("QTY") tarkoittaa tiettyyn käyttöön vaadittavaa määrää. Tilaamasi määrä voi olla eri määrä, ja pitää merkitä tilausta tehdessä. Osia, joita ei ole saatavilla uutena on mahdollisesti saatavana käytettyinä. Käytettyjä osia ei ole aina listattu verkkosivuiltamme tai hinnastoissa. Lähetämme sinulle pyydettäessä lisätietoja. Verkkosivuilla ja hinnastoissa näkyvät hinnat koskevat yhtä kappaletta kyseistä. Hinnat voivat muuttua ilman ennakoilmoitusta. Verkkosivuilla hinnat ovat nähtävissä joko ilman arvonlisäveroa tai arvonlisäveron(21 %) kanssa valitsemi mukaan. Kuvastojen mukana toimitetut hinnastot saattavat sisältää tai niistä on jätetty pois paikallinen arvonlisävero. Prosenttimäärä on kerrottu jokaisessa hinnastossa. Osien numerot muodostuvat kuudesta numerosta. Kolme ensimmäistä numeroa tarkoittavat osan tyyppiä. Esimerkiksi 161 on mutterit, 162 on ruuvit, 163 on tiivisterenkaat, jne. Osan saatavuus ja tilanne on nähtävissä verkkosivuilla ja hinnastossa. Seuraavat koodit ovat käytössä verkkosivuilla, hinnastoissa, kuvastoissa ja löytyvät osan numeron vierestä: SH – käytetty, EX – toimitetaan vaihtotuotteena ja lisäveloitus/pantti laskutetaan, NA. - Ei saatavilla tällä hetkellä. LHD - vasemmanpuoleinen ohjous, RHD –oikeanpuoleinen ohjous, A/R – tarkoittaa, että tarvittava määrä voi vaihdella käyttötarkoituksen mukaan. USE – osan numero on korvattu toisella ilmoitetulla numerolla.

TILAUKSET

Tilauksia otetaan vastaan VERKKOKAUPASSA, SÄHKÖPOSTILLA, FAXILLA, KIRJEELLÄ, PUHELIMITSE tai paikan päällä Anglo Parts jälleenmyyjän luona.

Jos tilaat muuten kuin verkkokaupassamme, pyydämme sinua täyttämään seuraavat tiedot käyttämällä TILAUSLOMAKETTA.

- ASIAKASNUMERO, nimi, osoite, puhelinnumero, fax, codice fiscale (ainoastaan Italiaan tilattaessa) tai ALV-numero.
- Tarkenna jos toimitusosoite on eri
- AUTON TIEDOT, merkki, malli, valmistusvuosi jne.
- Käytä ainoastaan Anglo Parts OSANUMEROITA
- Merkitse haluamasi määrä ja osien kuvaus
- Merkitse maksutapa: VISA, MASTER CARD, EURO CARD tai pankkisiirto
- Kun tilaus on lähetetty, laitamme sen sähköiseen tilausjärjestelmäämme ja tämän jälkeen käsittelemme tuoteselosteet, listat ja tarkistuslistat. Jo lähetetyn tilauksen

muuttaminen pysäyttää järjestelmän ja aiheuttaa viivästyksiä. Pyydämmekin, että tarkistat tilauksesi kahdesti ennen kuin lähetät sen meille. Näin pystymme toimittamaan osat ajallaan. Kiitos ymmärtäväisyydestänne.

MAKSUTAVAT

LUOTTOKORTIT: Tällä hetkellä hyväksymme seuraavat luottokortit: VISA, MASTER CARD, EURO CARD. Ole hyvä ja toimita luottokortin numero (yleensä 16 numeroa), voimassaoloaika ja kortin haltijan nimi.

PANKKI: Kun tilauksesi on kerätty, pakattu ja punnittu, teemme laskun ja ilmoitamme sinulle loppusumman, viitenumeron (ei verkkokaupassa) ja tilittietomme. Muistathan aina käyttää viitenumeroa ja asiakasnumeroa laskua maksaessa.

TOIMITUS

BELGIA: Toimitamme ovelta ovelle ja tavarat sekä toimituskulut on maksettava tuotteiden toimituksen yhteydessä postitienakkona jos luottokorttia ei käytetty.

ULKOMAAT: Lähetämme pienet paketit UPS prepaidilla. Ainoa maksu vastaanottaessa saattaa olla paikallinen vero. Isoja ja painavia lähetystyyppejä varten käytämme taloudellista ja nopeaa kuljetustapaa. ANGLO PARTS pakkaa lähetykset erittäin hyvin ja vioittuneiden tavaroiden saaminen on todella epätodennäköistä. Huomioithan kuitenkin, ettei Anglo Parts ole vastuussa kuljetuksessa kadonneista tai hajonneista tuotteista. Puutteista tai vioista, jotka eivät johdu kuljetuksesta, on ilmoitettava kolmen päivän sisäin tilauksen vastaanottamisesta. Kaikki pakkausmateriaalit on säilytettävä. Lasin kuljettaminen on tilaajan omalla vastuulla.

TUOTTEIDEN VASTAANOTTAMINEN

Tarkistathan heti tuotteen saatua, ettei sinetti tai teippi ole rikki eikä paketti ole vahingoittunut. Jos toteat puutteita tai vahinkoja, ilmoita näistä kuljettajalle ennen kuin kuittaa tavarantoimituksen. Pidä rahtikirjan kopio tallella laskun kanssa ja tee korvausvaatimus kuljetusyhtiölle mahdollisimman pian. Joka tapauksessa, säilytä pakkausmateriaalit kunnes tilanne on selvitetty. Anglo Parts tarkastaa tuotteet varastosta kerättäessä, ja uudelleen pakkaamisen yhteydessä. Lopullinen tarkistus on kuitenkin asiakkaan vastuulla tuotetta vastaanottaessa. Varmistathan, että osat vastaavat tilaamiasi ja mekaaniset osat toimivat moitteettomasti. Ethän jätä tarkistusta siihen vaiheeseen, kun vasta tarvitset osia ja ilmoitathan ongelmista kolmen päivän sisäin tuotteiden saapumisesta.

TAKUU

Lähes kaikki klassikkoautoteollisuuden osat on valmistettu pienissä erissä hyväksyttävään hintaan yhteistyöohjelmien yritysten toimesta. Me Anglo Partsilla tarkastamme, että tavarat ovat hyväksyttävissä, mutta emme voi tarkastaa jokaista yksittäistä tuotetta. Ostajan vastuulla on aina tarkastaa tuote ENNEN asentamista. Etenkin mekaaniset osat on syytä tarkistaa ja varmistaa, että ne ovat täydellisessä toimintakunnossa. Takuu-aika alkaa laskun päivämäärästä, ei asennuspäivästä. Osillamme on normaali ja kohtuullinen takuu, mutta korvausvaatimus voi kattaa ainoastaan tuotteen arvon eikä missään tapauksessa työtä, kuljetusta, tuotteeseen liittyvien komponenttien vioittumista, väärästä asennuksesta aiheutunutta vikaa eikä osia, joita käytetään rallissa tai kilpailuissa. Kaikki osat, joista tehdään takuuvaatimus, tulee palauttaa liikkeeseen, josta ne on ostettu. Palautus tapahtuu seuraavalla tavalla: Tuotteen arvon on oltava yli 7,5 euroa, tuotteet lähetetään takaisin toimituskulut ja mahdolliset verot maksettuna, puhtaana ja hyvin pakattuna. Jos ostaja tai kolmas osapuoli on purkanut osan, ei tuote kuulu enää takuun piiriin.

Anglo Parts tekee lopullisen päätöksen ja toteaa oliko tuote viallinen vai onko vika syntynyt asennuksessa. Selvitämme tämän kun olemme saaneet tuotteet sinulta takaisin vahingoittumattomana. Tuotteet eivät saa vahingoittua palautuksen yhteydessä huonon pakkaamisen tai kuljetuksen takia. Takuu-aika kunnostetuille osille on rajoitettu kuuteen (6) kuukauteen ja iskunvaimentien osalta neljään (4) kuukauteen. Suurinta osaa muista tuotteista koskee takuu materiaali- ja valmistusvirheiden osalta joko valmistajan tai Anglo Parts NV:n puolesta. Takuu on voimassa vuoden alkaen laskutuspäivämäärästä.

PALAUTUKSET

Jos saat väärän tuotteen, ja se johtuu meidän virheestä, otamme tuotteen takaisin varastoon ja hyvitämme tuotteen arvon, postilukien 15% käsittelykuluja. Palautuksia ei oteta vastaan ilman kopiota laskusta tai 30 päivän jälkeen laskutuspäivästä. Palautusoikeus ei koske laakereita, mäntiä, männänrenkaita, metritavaraa, verhoiluosia (kansia, kangaskattoja, istuinsarjoja, paneeleita jne.) kirjoja eikä osia joiden asennusta on yritetty. Tuotteet tulee palauttaa kuljetus ja verot maksettuna. Anglo Parts ei voi palauttaa maksettuja veroja, kuljetus- ja pakkauskustannuksia ja luottokorttiyhtiölle maksettua välityspalkkiota. Voit käyttää hyvityslaskun summan tulevassa tilauksessa. Emme hyvitä hyvityslaskujen summaa rahana.

LISÄVELOITUS – PANTTI

Vaihtotuotteina myytäviin tuotteisiin lisätään lisäveloitus/pantti. Lisäveloituksen hinta on nähtävissä verkkosivuilla kuvaston osalistassa ja on listattuna hinnastossa tuotteen numeron vieressä. Lisäveloitus laskutetaan kun odotamme vaihtotuotteen saapumista meille. Lisäveloitus palautetaan asiakkaalle kokonaisuudessaan, kun saamme tuotteen täydellisenä, puhtaana, öljystä tyhjennettynä ja palautettuna kahden (2) kuukauden kuluessa laskutuspäivämäärästä. Liitäthän mukaan aina kopion laskusta. Kaikki palautukset on lähetettävä kuljetusmaksu maksettuna. Lisäksi mukaan on liitettävä kirje, josta löytyy nimesi, osoitteesi, puhelinnumerosi, lähetyspäivämäärä, kuvaus palautettavista tuotteista sekä lisäveloituksen summa. Liitä yksi kopio pakettiin, toinen pakkaukseen ja pidä itselläsi kolmas kopio. Tarvitsemme nämä tiedot tuotteiden maahan tuotua varten. Tarkistamme heti tuotteen saapumista seuraavat seikat: onko tuote pakattu hyvin ja onko kuljetuksessa tullut vaurioita, vastaako tuote vaihdossa lähetettyä (oikea alkuperäinen), onko tuote kokonainen ja ovatko keskeiset osat uudelleenrakennettavissa. Ethän lähetä MGA:n tuulilasinyyhkiön moottoreita vaihdettavaksi TD:n pyyhkiön moottorin tai virranjakajia ilman ennakkosäädintä. Jälkimmäisessä tapauksessa palautamme lisäveloituksen, josta vähennämme (meidän arvioiman) ennakkosäätiimen arvon.

DOWNLOAD OUR OTHER ANGLO PARTS & ACCESSORIES CATALOGUES FOR FREE!

download the pdf versions of our catalogues for free at www.angloparts.com or buy them for 10 euros per item.



MGTC
part n° 190.275



MGTD-TF
part n° 190.067



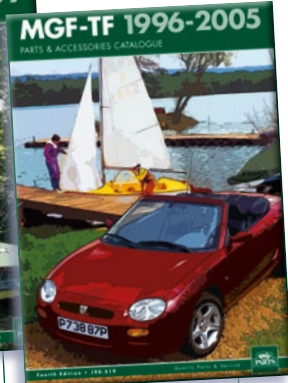
MGA
part n° 190.001



MGB
part n° 190.002



MGC
part n° 190.158



MGF-TF 1996-2005
part n° 190.519



Sprite-Midget 1958-'64
part n° 190.504



Sprite-Midget 1965-'80
part n° 190.518



A.H. 100/4-3000
part n° 190.509



Mini 1969-2000
part n° 190.720



Land Rover Defender 90-110 1984-2006
part n° 190.779



Triumph TR2-4A
part n° 190.243



Triumph TR5-250-6
part n° 190.273



Triumph Spitfire
part n° 190.133



Triumph GT6
part n° 190.863



Morris Minor
part n° 190.718



Jaguar XK120-150
part n° 190.694



Jaguar MKII-Daimler V8
part n° 190.721



Jaguar E-type
part n° 190.695



Jaguar XJ, Series I, II, III
part n° 190.780



British Parts, Tools & Accessories
part n° 190.058

TRIUMPH SPITFIRE

MKI-III, 4 & 1500 • 1962-1980
PARTS & ACCESSORIES CATALOGUE

www.angloparts.com

please visit our website for all contact information

Anglo Parts Shops

**MAIN BRANCH BELGIUM
HOLLAND • ITALY • GERMANY**

Authorized Anglo Parts Dealers

**FRANCE • HOLLAND • SPAIN
SWEDEN • FINLAND
CZECH REPUBLIC • SLOVAKIA
LUXEMBOURG • POLAND • HUNGARY**

