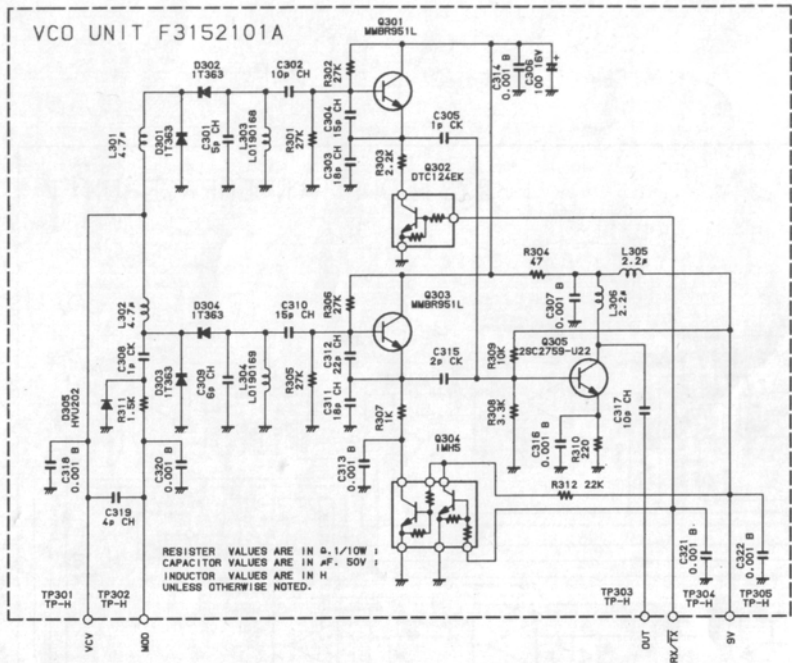


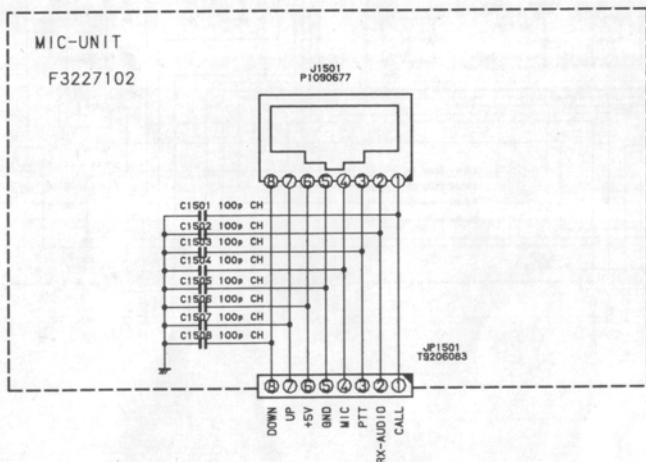


# VCO UNIT F3152101A

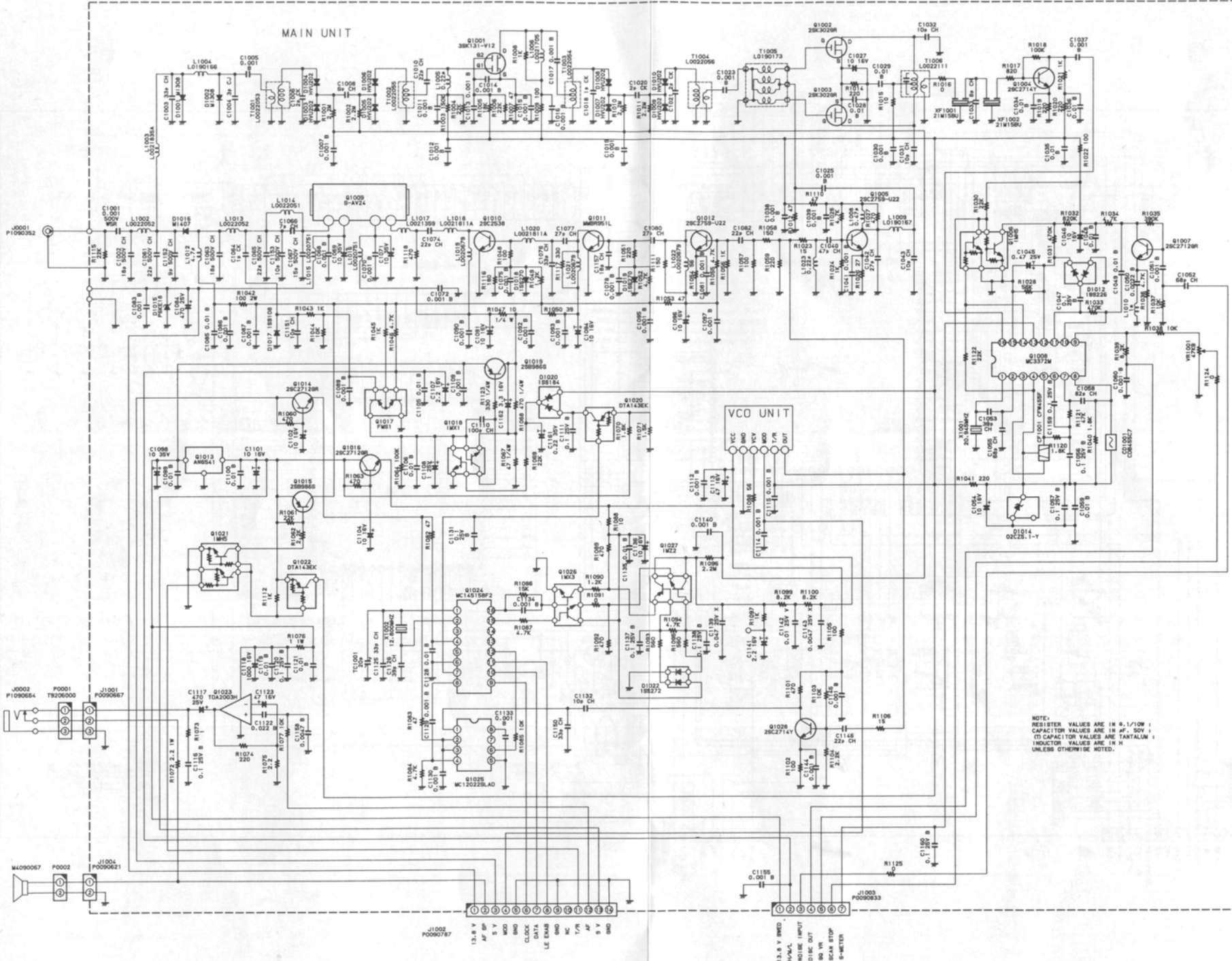


# MIC-UNIT

F3227102



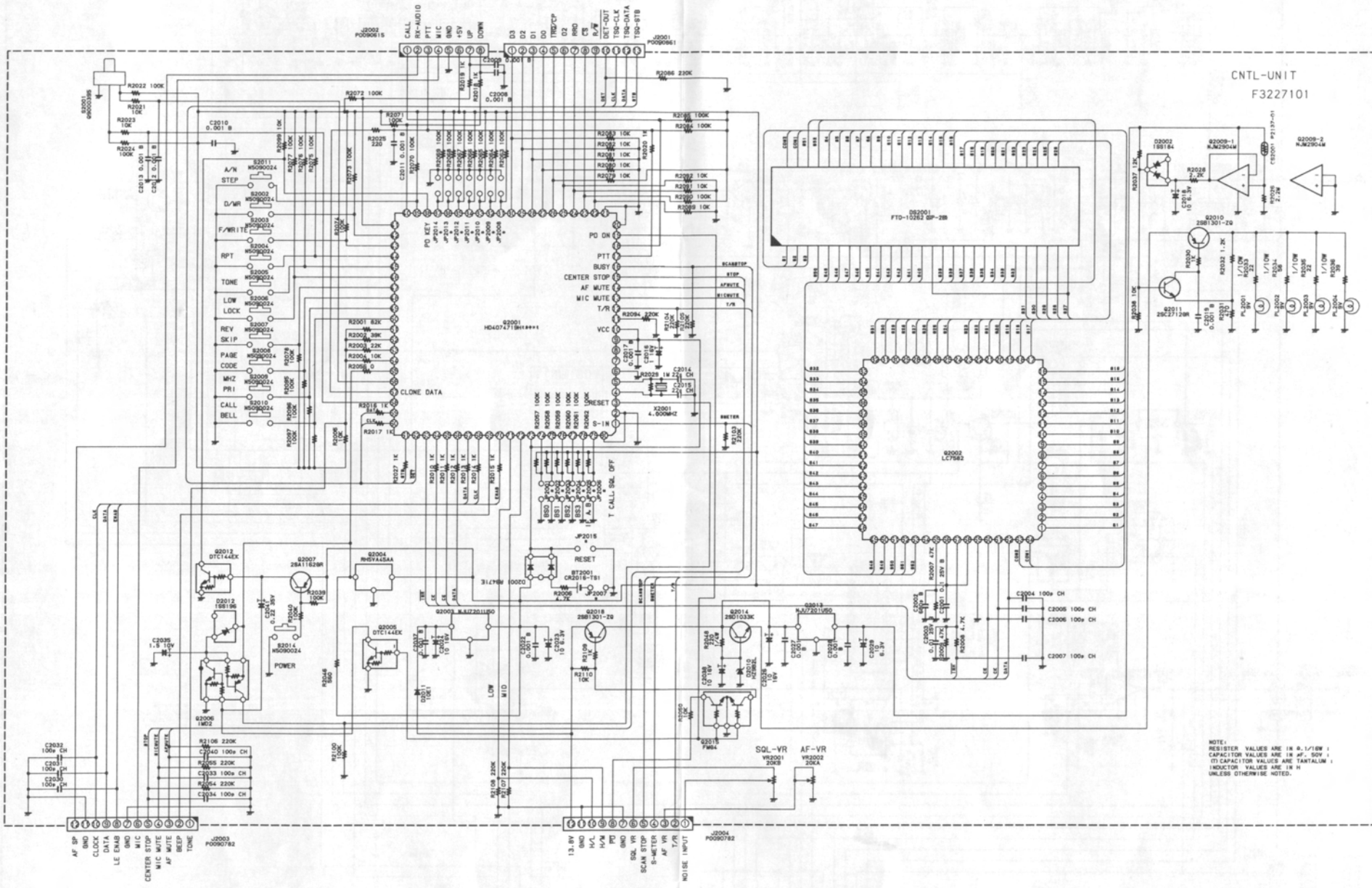
MAIN UNIT



NOTE:  
RESISTOR VALUES ARE IN  $\Omega$ , 1/ $\Omega$ , 10 $\Omega$ ,  
CAPACITOR VALUES ARE IN  $\mu$ F, 50V,  
IF CAPACITOR VALUES ARE IN  $\mu$ F, 50V,  
INDUCTOR VALUES ARE IN H  
UNLESS OTHERWISE NOTED.

J1002 P009067  
13.8 V BND  
V<sub>CC</sub> 5V  
AF 5V  
BND  
BND  
CLOCK  
DATA  
LE ENAB  
NC BND  
1/4  
AF 5V  
BND

J1003 P009063  
13.8 V BND  
V<sub>CC</sub> 5V  
AF 5V  
BND  
BND  
CLOCK  
DATA  
LE ENAB  
NC BND  
1/4  
AF 5V  
BND



CNTL-UNIT  
F3227101

NOTE:  
RESISTOR VALUES ARE IN  $\Omega$ , 1/10W ;  
CAPACITOR VALUES ARE IN  $\mu$ F, 50V ;  
() CAPACITOR VALUES ARE TANTALUM ;  
INDUCTOR VALUES ARE IN H  
UNLESS OTHERWISE NOTED.