

CARPETWIN 16

MODEL 160 AFTER S.N. 970 909
MODEL 160-5 AFTER S.N. 993 065
FORM NO. 042 103
MAY, 1984

PARTS LIST



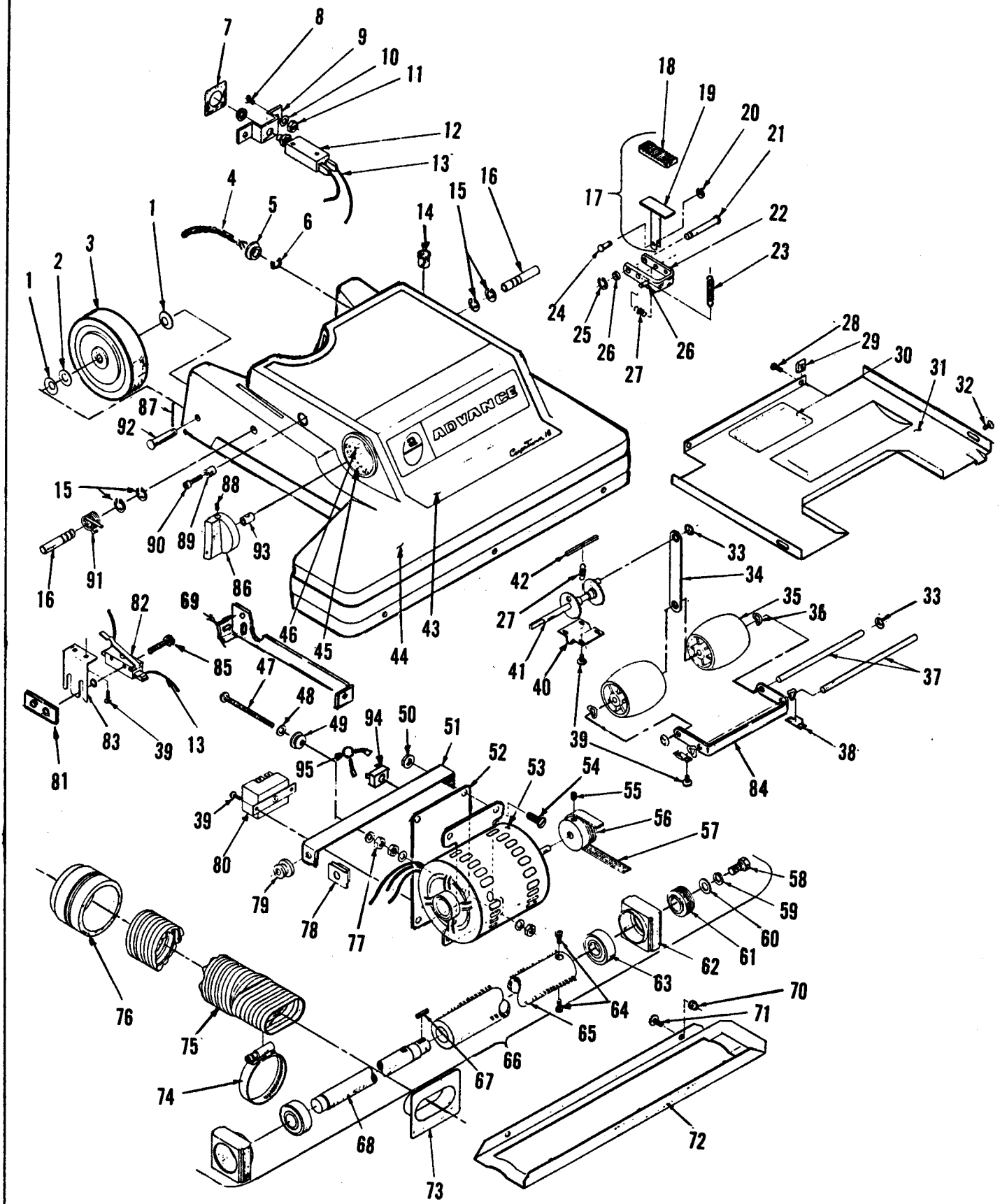
© 1984 Advance Machine Company, Spring Park, MN 55384-0275

ADVANCE
MACHINE COMPANY
INTERNATIONAL HEADQUARTERS, Spring Park, Minnesota 55384-0275
EUROPE, 4 Rue Jean Engling, L-1466 Luxembourg
CANADA, 1295 Crestlawn Drive, Mississauga, Ontario L4W 1A9



Index for Form Number 042103

Description	Location	page
Bag Housing	D8	3
Base	D6	1
Motor, Vacuum	D10	5
Wiring Diagram, 100 Volt	D12	7
Wiring Diagram, 115 & 230 Volt	D11	6

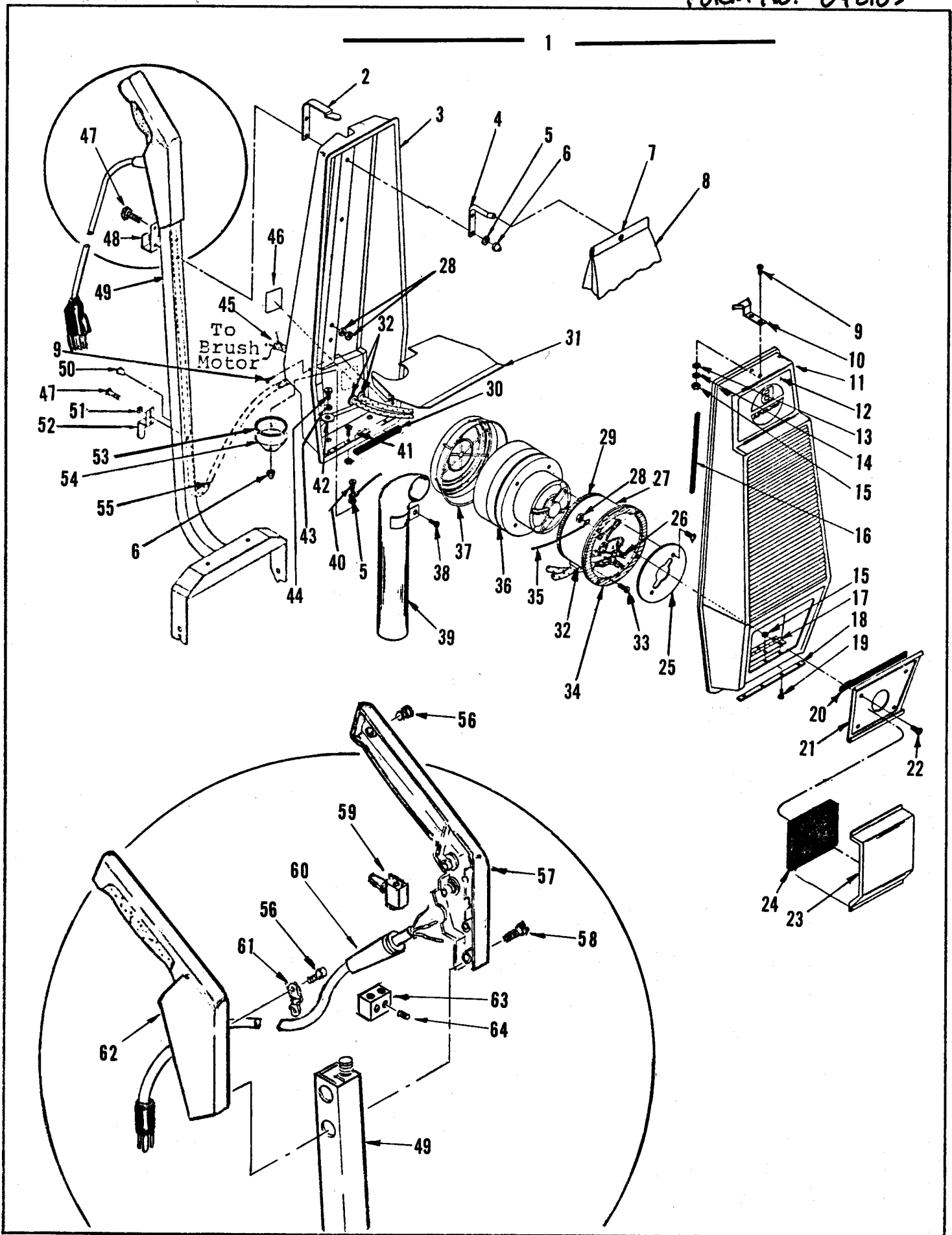


BASE ASSEMBLY

ITEM	PART NO	QTY	DESCRIPTION	ITEM	PART NO	QTY	DESCRIPTION
1	151 041	4	WASHER, BOWED	75	325 294	1	HOSE
2		2	WASHER 3/8 FLAT	76	330 088	1	CUFF, HOSE
3	327 530	2	WHEEL 4.00 X .968	77		3	HEX NUT 1/4-20
4	325 316	1	CORD ASSEMBLY 115V	78	321 520	2	NUT, RETAINING 1/4-20
	328 072	1	CORD ASSEMBLY 230V	79	321 540	2	GROMMET, MOTOR MOUNT
5	321 540	3	GROMMET .500	80	321 610	1	RELAY, 115V
6	320 358	1	STRAIN RELIEF		322 470	1	RELAY, 230V
7	015 020	1	DECAL, RESET	81	385 747	1	PLATE, NUT
8		2	SCREW, FLAT HD. #8-32 X 1/4	82	171 225	1	SWITCH, SNAP SPST N.C.
9	322 410	1	BRACKET, CIRCUIT BREAKER	83	321 615	1	BRACKET, SWITCH
10		2	WASHER #8	84	325 254	1	YOKE, ADJUSTING
11		2	NUT, HEX #8-32	85		2	SCREW, PAN HD. #6-32 X 1 1/4
12	228 414	1	CIRCUIT BREAKER 3.5A (115V)	86	324 504	1	KNOB, BRUSH HT. ADJ.
	290 425	1	CIRCUIT BREAKER 1.5A (230V)	87	321 406	2	PIN, SPRING
	322 930	1	CIRCUIT BREAKER 1.7A (100V)*	88		1	SCREW, SOCKET SET #8-32 X 1/4
13	322 412	1	WIRE ASSEMBLY	89	321 532	2	BUSHING
14	218 472	1	BUSHING, NYLON	90		2	SCREW, PAN HD. 1/4-20 X 5/8
15	321 427	4	RING, RETAINING	91	321 398	1	SPRING, TORSION
16	321 402	2	PIN, PIVOT	92	321 404	2	AXEL, REAR
17	321 065	1	FOOT PEDAL ASSEMBLY	93	321 178	1	SPACER, KNOB
18	321 064	1	CAP, FOOT PEDAL	94	180 162	1	RECTIFIER 35A (100V ONLY)*
19	321 054	1	PEDAL	95	387 554	1	VARISTOR (100V ONLY)*
20	321 128	1	RING, RETAINING				
21	321 095	1	PIN				
22	328 598	1	LATCH				
23	321 087	1	SPRING				
24	321 068	1	PIN, FOOT PEDAL				
25	321 125	1	RING, RETAINING				
26	328 642	1	PIN, GROOVE				
27	320 484	2	SPRING				
28		3	SCREW, PAN HD. #8-32 X 1/2				
29	329 575	6	NUT, SPRING				
30	014 113	1	DECAL, WIRING 115V				
	014 116	1	DECAL, WIRING 230V				
	014 127	1	DECAL, WIRING 100V*				
31	322 934	1	SHIELD, BASE (100V ONLY)*				
	325 521	1	SHIELD, BASE				
32		1	SCREW, FLAT HD. #8-32 X 5/16				
33	325 227	3	NUT, STUD				
34	325 258	1	LINK				
35	325 244	2	ROLLER				
36	150 150	4	WASHER, BOWED				
37	325 229	2	PIN, PIVOT				
38	325 213	2	CLAMP, AXEL				
39		12	SCREW, PAN HD. #6-32 X 3/8				
40	325 225	1	RETAINER, RATCHET				
41	320 474	1	RATCHET				
42	320 476	1	CATCH, RATCHET				
43	014 062	1	DECAL, ADVANCE				
44	325 512	1	HOUSING				
45	021 106	1	DECAL, KNOB				
46	325 410	1	INSERT, KNOB				
47		1	SCREW, TRUSS HD. 1/4-20 X 3 1/4				
48		4	WASHER, FLAT 1/4				
49	321 559	1	GROMMET				
50		3	NUT, W/FLANGE 1/4-20				
51	321 515	1	BRACKET, MOTOR				
52	322 172	1	PLATE, MOTOR				
	322 920	1	MOUNT, MOTOR 100V*				
53	228 415	1	MOTOR, DRIVE 100V*				
	228 408	1	MOTOR, DRIVE 115V				
	228 420	1	MOTOR, DRIVE 230V				
54		3	SCREW, PAN HD. 1/4-20 X 1/2				
55		1	SCREW, SOC. SET 5/16-18 X 1/2				
56	322 490	1	PULLEY				
57	320 366	1	BELT				
58		1	SCREW, HEX HD. 5/16-18 X 5/8				
59		1	LOCKWASHER 5/16				
60		1	WASHER, FLAT 5/16				
61	322 482	1	SHEAVE				
62	320 140	2	BLOCK, BEARING				
63	372 773	2	BEARING				
64		2	SCREW, SOCKET HD. #10-24 X 1/2				
65	320 252	1	BRUSH, TURBULATOR				
66	320 290	1	BRUSH ASSEMBLY 16"				
67	109 258	1	KEY				
68	320 220	1	SHAFT ASSEMBLY				
69	322 654	1	BRACE				
70		2	FLANGE NUT #10-32				
71		2	SCREW, PAN HD. #10-32 X 3/8				
72	325 533	1	SHOE				
73	325 527	1	ADAPTOR, HOSE				
74	440 213	1	CLAMP, HOSE				

TsB 537,6-8

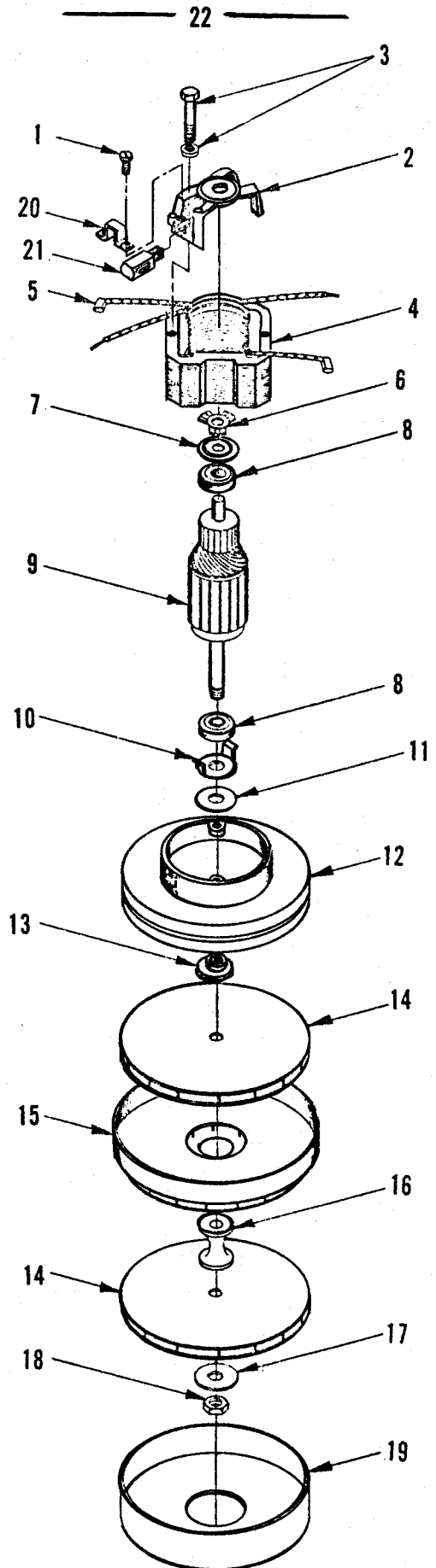
*NOTE:
100 VOLT MACHINES CAN BE IDENTIFIED BY THE 1.7 AMP CURRENT RATING MARKED ON THE CIRCUIT BREAKER BUTTON. THESE MACHINES MAY ALSO BE USED ON 115 VOLT CIRCUITS.



HANDLE ASSEMBLY

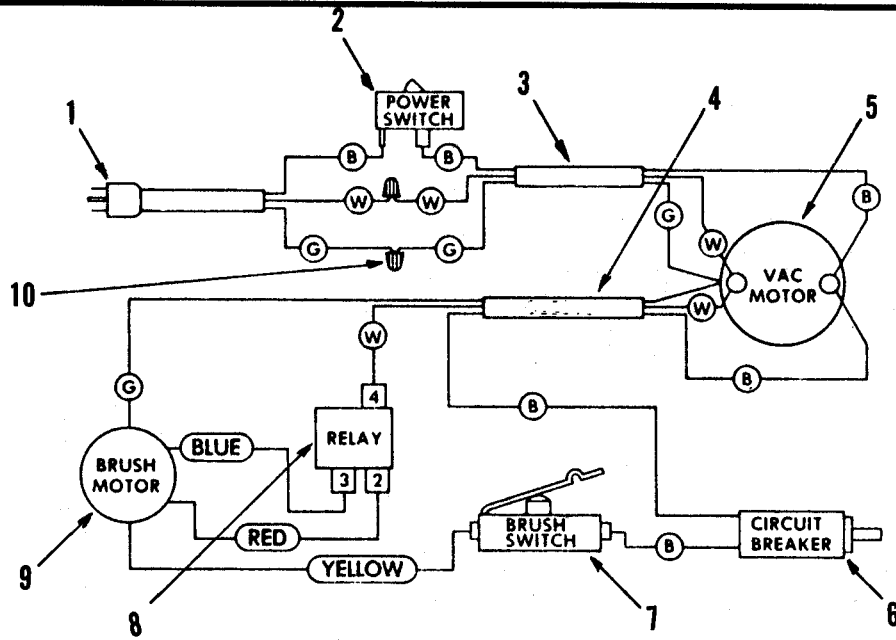
ITEM	PART NO	QTY	DESCRIPTION
1	329 360	1	HANDLE ASSEMBLY 115V
	329 355	1	HANDLE ASSEMBLY 230V
2	325 337	1	LATCH
3	325 322	1	HOUSING, BACK
4	325 164	1	HOOK, BAG
5		6	LOCKWASHER #10
6		6	NUT, ACORN #10-24
7	320 676	1	CLAMP, BAG
8	324 530	1	BAG, CLOTH (SUPPLIED)
	324 531	1	BAG, DISPOSABLE
9		6	SCREW, PAN HD. #6-32 X 5/16
10	325 250	1	STRIKE, LATCH
11	325 297	1	HOUSING, FRONT
12	014 060	1	DECAL, ADVANCE
13		2	WASHER, FLAT SAE #6
14		3	LOCKWASHER #6
15		11	NUT, HEX #6-32
16	325 324	1	GASKET 65-1/2
17	325 205	1	HINGE, HOUSING
18	325 208	1	PLATE, HINGE
19		5	SCREW, PAN HD. #6-32 X 3/8
20	200 754	1	GASKET, 22"
21	325 173	1	PLATE, EXHAUST FILTER
22		4	SCREW, HEX HD. #10-24 X 1 1/4 WITH WASHER
23	325 161	1	DEFLECTOR, AIR
24	325 163	1	FILTER, AIR
25	325 332	1	BAFFLE PLATE
26	321 737	5	WIRE NUT
27	325 120	1	CUP, VAC MOTOR
28		6	NUT, HEX #10-24
29	209 325	1	GASKET, MOTOR
30	385 448	1	GASKET 7"
31	325 138	1	SUPPORT, BAG
32	320 319	4	BUSHING, NYLON .312
33		4	SCREW, PAN HD. #10-24 X 1/2
34	325 148	1	GASKET, CUP
35	325 240	1	CABLE, STOP
36	300 381	1	MOTOR, VACUUM 115V
	300 411	1	MOTOR, VACUUM 230V
37	384 898	1	FILTER, VAC MOTOR
38		2	SCREW, PAN HD. #10-32 X 1/2
39	325 162	1	TUBE, INLET
40		2	SCREW, PAN HD. #10-24 X 5/8
41	325 207	1	PLATE, HOUSING
42	151 114	2	WASHER, FLAT 1/4
43		2	LOCKWASHER 1/4
44		2	SCREW, HEX HD. 1/4-20 X 3/8
45	325 316	1	CORD ASSY. 18/3 X 26 115V
	328 072	1	CORD ASSY. 16/3 X 26 230V
46	015 314	1	DECAL "WARNING"
47		3	SCREW, PAN HD. #10-24 X 1 5/8
48	325 168	1	HOOK, CORD
49	325 450	1	HANDLE
50	361 321	2	CATCH, BULLET
51		2	WASHER, FLAT #10
52	325 166	1	HOOK, SWIVEL CORD
53	325 157	1	O-RING
54	325 160	1	PLATE, KEEPER
55	325 480	1	CORD ASSEMBLY 18/3 X 48
56	329 623	3	SCREW S/T #8-18 X 5/8
57	329 620	1	HANDLE, LEFT
58	329 622	6	SCREW S/T #8-18 X 1"
59	207 077	1	SWITCH, TOGGLE
	301 636	1	SWITCH, TOGGLE
60	329 628	1	CORD SET ASSEMBLY 40' 115V
	300 227	1	CORD SET ASSEMBLY 40' 230V
61	329 616	1	CLAMP, CORD
62	329 621	1	HANDLE, RIGHT
63	329 612	1	CONNECTOR, GROUND (230V ONLY)
64		3	SET SCREW #4-40 X 1/4 (230V ONLY)

ITEM	PART NO	QTY	DESCRIPTION
1	203 263	4	SCREW, COMMUTATOR
2	207 234	1	BRACKET, COMMUTATOR END 115V
	300 406	1	BRACKET, COMMUTATOR END 230V
3	203 494	2	SCREW
4		1	FIELD, 115V
		1	FIELD, 230V
5	203 585	2	CLIP, 230V
6	202 843	1	LOAD SPRING, 115V
7	203 513	1	DISC, 115V
	228 388	1	WASHER, 230V
8	228 051	2	BEARING (1 ONLY USED ON 230V)
9	203 549	1	ARMATURE
10	203 471	1	WASHER, CLAMPING
11	203 459	1	WASHER, FELT
12	301 184	1	BRACKET & SHELL ASSEMBLY, 115V
	301 185	1	BRACKET & SHELL ASSEMBLY, 230V
13	203 424	1	SPACER
14	208 191	2	FAN, ROTATING
15	207 268	1	FAN, STATIONARY
16	203 516	1	SPACER
17	203 432	1	WASHER
18	203 440	1	NUT
19	203 491	1	FAN SHELL
20	207 285	2	CLAMP, BRUSH
21	203 518	1 SET	BRUSH MECHANISM
22	300 381	1	MOTOR VACUUM, 115V



115 VOLT

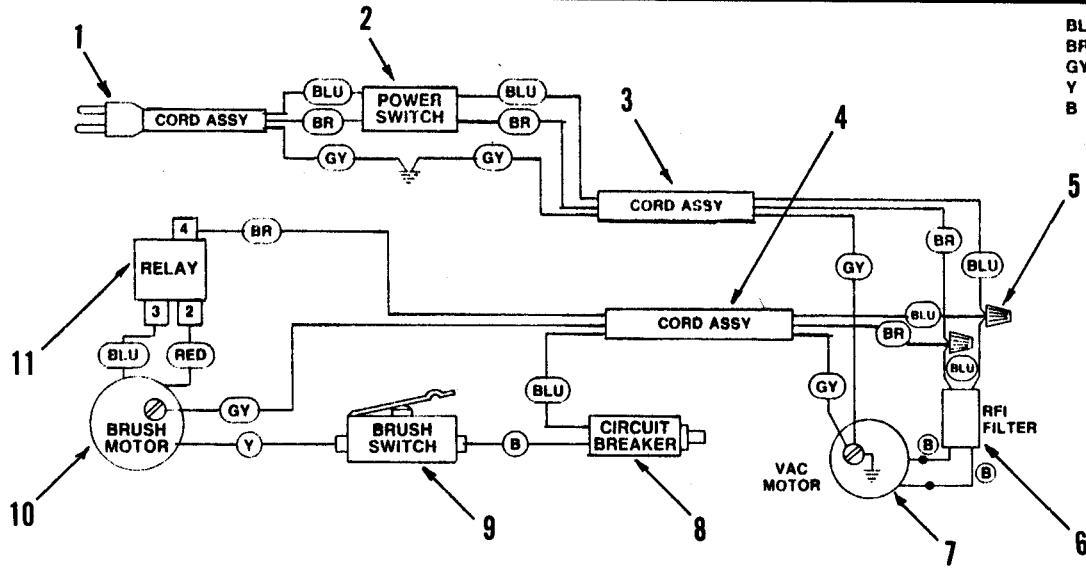
B-BLACK
G-GREEN
W-WHITE



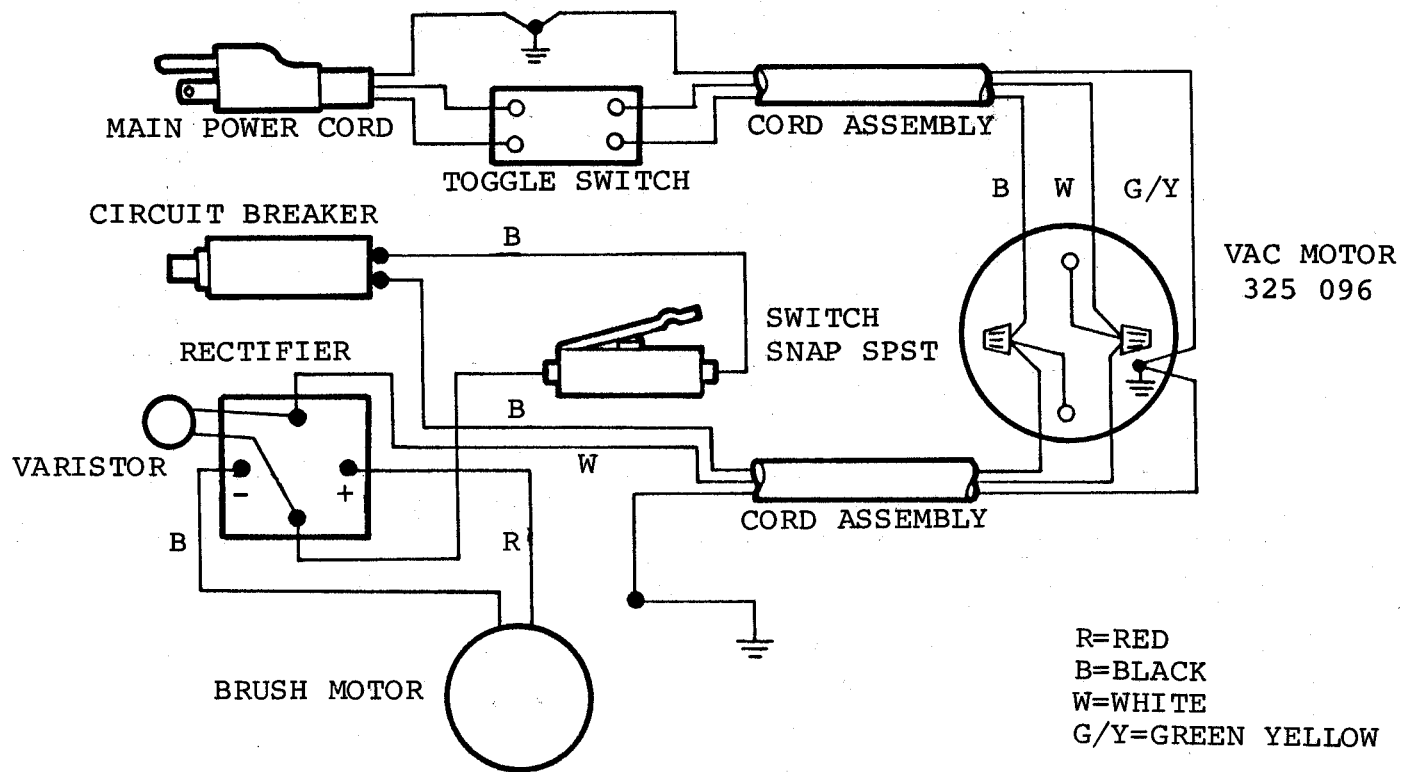
ITEM	PART NO	QTY	DESCRIPTION
1	329 628	1	CORD ASSEMBLY
2	207 077	1	SWITCH, TOGGLE
3	325 480	1	CORD ASSEMBLY, 18/3 X 48
4	325 316	1	CORD ASSEMBLY, 18/3 X 26
5	300 381	1	MOTOR, VAC
6	228 414	1	CIRCUIT BREAKER, 3.5A
7	171 225	1	SWITCH, SNAP SPST
8	321 610	1	RELAY
9	228 408	1	MOTOR, BRUSH
10	321 737	5	CONNECTOR, WIRE

230 VOLT

BLU - BLUE
BR - BROWN
GY - GREEN/YELLOW
Y - YELLOW
B - BLACK



ITEM	PART NO	QTY	DESCRIPTION
1	300 227	1	CORD ASSEMBLY
2	301 636	1	SWITCH, TOGGLE
3	325 482	1	CORD ASSEMBLY
4	328 072	1	CORD ASSEMBLY
5	163 228	2	CONNECTOR, WIRE
6	322 966	1	R.F.I. FILTER
7	300 411	1	MOTOR, VAC
8	290 425	1	CIRCUIT BREAKER, 1.5A
9	171 225	1	SWITCH, SNAP SPST
10	228 420	1	MOTOR, BRUSH
11	322 407	1	RELAY



*NOTE: 100 VOLT MACHINES CAN BE IDENTIFIED BY THE 1.7 AMP CURRENT RATING MARKED ON THE CIRCUIT BREAKER BUTTON. THESE MACHINES MAY ALSO BE USED ON 115 VOLT CIRCUITS.