

Translation of the Original Operating Instructions



Diaphragm Pump

MVP 020-3 AC
MVP 020-3 DC



FOR SALES AND SERVICE PLEASE CALL:

PTB SALES T :: 866.332.0500
F :: 626.334.2151
www.ptbsales.com

DATE SERVICED: _____

VIEW OUR INVENTORY

Table of contents

1	About this manual	3
1.1	Validity	3
1.2	Conventions	3
2	Safety	4
2.1	Safety precautions	4
2.2	Proper use	5
2.3	Improper use	5
3	Transport and storage	6
3.1	Transport	6
3.2	Storage	6
4	Product description	7
4.1	Product identification	7
4.2	Function	8
5	Installation	9
5.1	Setting up the pump	9
5.2	Connecting the vacuum side	9
5.3	Connecting the exhaust side	9
5.4	Connecting to the mains power supply	10
6	Operation	12
6.1	Before switching on the pump	12
6.2	Control signals	12
6.3	Switching on the pump	13
6.4	Pumping condensable vapours	14
6.5	Switching off	14
7	Maintenance	15
7.1	Precautions	15
7.2	Cleaning and replacing diaphragm and valves	17
7.3	Checking the pump	20
8	Decommissioning	21
8.1	Shutting down for longer periods	21
9	Malfunctions	21
9.1	Rectifying malfunctions	22
10	Service	23
11	Spare parts	24
12	Accessories	24
13	Technical data	25
13.1	Substances in contact with the media	26
13.2	Dimensions	27
	Declaration of conformity	28

1 About this manual

1.1 Validity

This operating manual is for customers of Pfeiffer Vacuum. It describes the functioning of the designated product and provides the most important information for safe use of the unit. The description follows applicable EU guidelines. All information provided in this operating manual refer to the current state of the product's development. The documentation remains valid as long as the customer does not make any changes to the product.

Up-to-date operating instructions can also be downloaded from www.pfeiffer-vacuum.net.

Applicable documents

MVP 020-3 AC/DC	Operating instructions
Safety information for vacuum pumps "Safety Guide"	PT 0300 BN*
Declaration of Conformity	Part of this document
Operating instructions for accessories (order-specifically)	see section "accessories"*

*also available via www.pfeiffer-vacuum.net

For information about other certifications, if applicable, please see the signet on the product or:

- www.tuvdotcom.com
- TUVdotCOM-ID 0000021320

1.2 Conventions

Safety instructions

The safety instructions in Pfeiffer Vacuum operating manuals are the result of risk evaluations and hazard analyses and are oriented on international certification standards as specified by UL, CSA, ANSI Z-535, SEMI S1, ISO 3864 and DIN 4844. In this document, the following hazard levels and information are considered:

DANGER
Immediate danger Death or very severe injuries can occur.
WARNING
Possible danger Injuries or severe property damages can occur.
CAUTION
Possible danger Injuries or property damages can occur.
NOTE
Command or note Command to perform an action or information about properties, the disregarding of which may result in damage to the product.

Pictograph definitions



Prohibition of an action or activity in connection with a source of danger, the disregarding of which may result in serious accidents.



Warning of a displayed source of danger in connection with operation of the unit or equipment.



Command to perform an action or task associated with a source of danger, the disregarding of which may result in serious accidents.

Instructions in the text

→ Work instruction: here you have to do something.

Symbols used

The following symbols are used consistently throughout in all illustrations:

- ⓪ Vacuum flange
- ⚡ Power connection
- Ⓛ Exhaust flange

2 Safety

2.1 Safety precautions



NOTE

Duty to inform

Each person involved in the installation, operation or maintenance of the vacuum pump must read and observe the safety-related parts of these operating instructions.

- Absolute observe the safety information for vacuum pumps (PT 0300 BN) !
- The operator is obligated to make operating personnel aware of dangers originating from the vacuum pump, the pumped medium and the entire system.



NOTE

Installation and operation of accessories

Pfeiffer Vacuum pumps can be equipped with a series of adapted accessories. The installation, operation and maintenance of connected devices are described in detail in the operating instructions of the individual components.

- For information on the operating instructions of components, see "Accessories".
- Use original accessory parts only.

- Before pumping dangerous, corrosive or environmentally hazardous media, take suitable precautions:
 - Test the compatibility with substances in contact with the media.
 - Prevent the release of process gases and their reaction products and by-products or dispose of them according to the relevant regulations.
 - Safety measures (e.g. wearing protective clothing and safety goggles) to prevent inhalation and skin contact.

- Connect the vacuum pump to a shockproof socket only.
 - Use only undamaged network cables which comply with the regulations.
 - Make sure that the grounding is sufficient.
- Do not expose any body parts to the vacuum.
- Observe the safety and accident prevention regulations.
- Check regularly that all safety precautions are being complied with.
- Do not carry out any unauthorised modifications or conversions to the pumps.
- Depending on the operating and ambient conditions, the surface temperature of the pumps may rise above 70 °C. Use suitable finger guards if necessary.
- The unit has been accredited with protection class IP 54/20. When installing into ambient conditions, which afford other protection classes, the necessary measures must be taken.
- When returning the pumps to us please note the instructions in the Service section.

2.2 Proper use



NOTE

CE conformity

The manufacturer's declaration of conformity becomes invalid if the operator modifies the original product or installs additional components.

→ Following installation into a plant and before commissioning, the operator must check the entire system for compliance with the valid EU directives and reassess it accordingly.

- The vacuum pump may only be used to generate a vacuum.
- Installation, operating and maintenance regulations must be complied with.
- Other accessories than those described in this manual must not be used without the agreement of Pfeiffer Vacuum.
- When pumping gases which could form explosive or ignitable mixtures, take suitable precautions:
 - If necessary, connect inert gas for ventilation or gas ballast supply.

2.3 Improper use

Improper use will cause all claims for liability and guarantees to be forfeited. Improper use is deemed to be all use for purposes deviating from those mentioned above, especially:

- Pumping of corrosive or explosive media.
- Operation of the pump in potentially explosive areas.
- Pumping of gases containing impurities such as particles, dusts and condensate; note the vapour compatibility levels of the pump.
- Pumping of substances that tend to sublime.
- Use of the vacuum pump to generate pressure.
- Pumping of liquids.
- Connection to pumps or units which are not suitable for this purpose according to their operating instructions.
- Connection to units which have exposed voltage-carrying parts.

3 Transport and storage

3.1 Transport

- Remove the locking cap from the vacuum and fore-vacuum flange immediately before connecting!
- Use only the handles provided for that purpose to lift the pump.
 - Do not use the interhead connections on the top side of the pump to carry the pump.

3.2 Storage

- Check that all the openings on the pump are securely closed.
- Store the pump in a cool, dry place; preferably at room temperatures (approx. 20°C).
 - For a longer period of storage, seal the pump in a PE bag with drying agents enclosed.

4 Product description

4.1 Product identification

To correctly identify the product when communicating with Pfeiffer Vacuum, always have the information from the rating plate available.

- Pump model and model number
- Serial number
- Date of manufacture

Scope of delivery

- Pump with drive unit
- Operating instructions

Differences between the pump versions

Characteristic	MVP 020-3 AC	MVP 020-3 DC
Flange (in)	• G 1/8" elbow union + enclosed hose DN 6 x 1000 mm with a elbow union in G 1/4" at the end	• G 1/8" + hose wave DN 6
Flange (out)	• G 1/8" + hose wave DN 6	• G 1/8" + silencer
Mains requirement: voltage (selectable)	100-120/200-230 V, 50/60 Hz	24 V (+/- 10 %)
Variable speed function	no	yes, via control voltage

4.2 Function

The diaphragm vacuum pumps of the series MVP 020-3 AC/DC are three stage, dry compressor vacuum pumps. The pumps are positive displacement pumps with a periodic change of size of the suction chamber produced by the movement of the diaphragm. The gas flow causes the valves to open and close automatically. The pump units are directly connected to the drive motor.

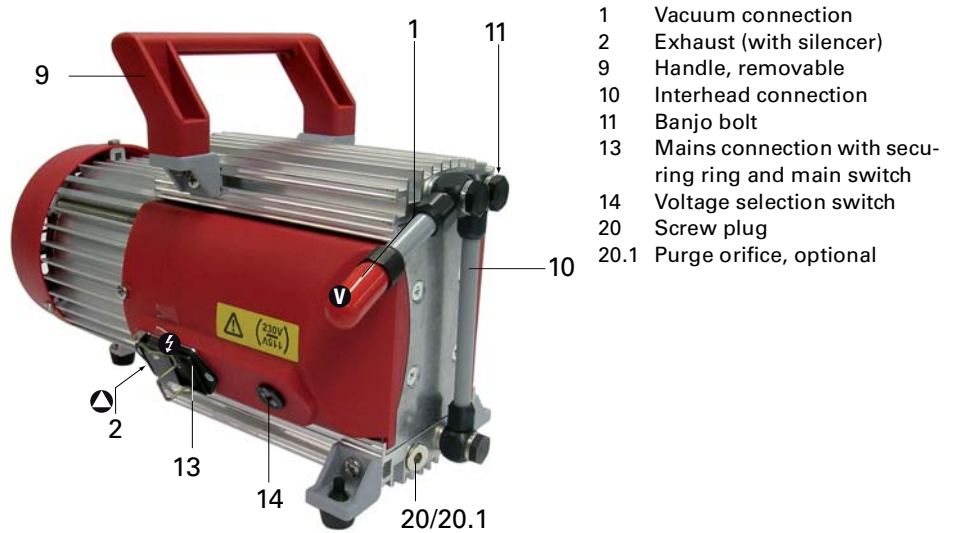


Fig. 1: MVP 020-3 AC

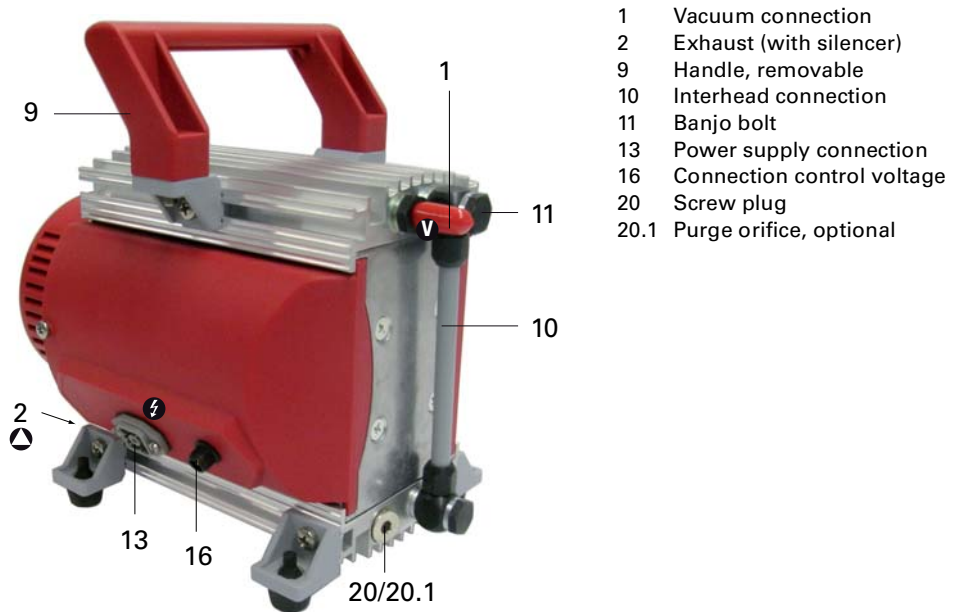


Fig. 2: MVP 020-3 AC

5 Installation

5.1 Setting up the pump

- Installation location** Observe the following requirements when setting up the pump:
- Consider the load-bearing capacity of the installation site.
 - Maximum installation altitude 2000 m (above mean sea level)
 - Permissible ambient temperature: +12 ... 40°C
 - Maximum relative humidity 85%
- Always place the pump on a firm, even surface.
- Where stationary installation is involved, anchor the pump on site.
- When installing the pump in a closed housing, ensure there is sufficient air circulation.
- Voltage and frequency information given on the motor rating plate must be visible.
 - If vacuum pump is installed above 1000 m above mean sea level check compatibility with applicable safety requirements, e.g. DIN EN 61010 (motor may overheat due to insufficient cooling).

5.2 Connecting the vacuum side

- Remove locking cap on intake connection and connect vacuum pump to the apparatus.
- The connection between the pump and the recipient should be kept as short as possible.
- Depending on the pump type, use metallic hoses or PVC hoses with flange connections.
 - Separators, filters etc. may be installed upstream to protect the pump (see accessories). However, please observe the loss of pumping capacity due to the conductivity of the accessories.

5.3 Connecting the exhaust side



CAUTION

High pressure in the exhaust line!

Danger of damage to the seals and danger of the pump bursting.

- Install the line without shut-off valves on the exhaust side.
- Pumpe nicht mit Überdruck am Einlass betreiben; max. zulässige Drücke und Druckdifferenzen beachten.

- Choose the cross-section of the exhaust line to be at least the size of the nominal connection diameter of the vacuum pump's exhaust connection.
- Piping to the pump must be suspended or supported.
- Physical forces from the piping system must not be allowed to act on vacuum pumps.
- Lay piping from the pump sloping downward so that no condensate can flow back into the pump; otherwise fit a condensate separator.
- If an air trap is created in the system, then a device for draining condensation water must be provided at the lowest point.



WARNING

Emission of toxic substances from the exhaust!

Danger of poisoning from emitted gases or vapours, which can be detrimental to health and/or can pollute the environment, depending on the particular application.

- Comply with the applicable regulations when working with toxic substances.
- Only officially approved filter systems may be used to separate and remove these substances.

5.4 Connecting to the mains power supply

The pump is driven by single-phase extended voltage range motors with reversible voltage ranges.



CAUTION

Excess voltage!

Danger of destroying the motor.

- Power connections must comply with local regulations. Voltage and frequency information given on the motor rating plate must correspond to the mains voltage and frequency values.
- To protect the motor and supply cable in case of malfunction, mains fuse protection must be implemented.

Single phase motors

- The mains voltage must be determined on-site each time before the pump is installed or moved to a different location.



NOTE

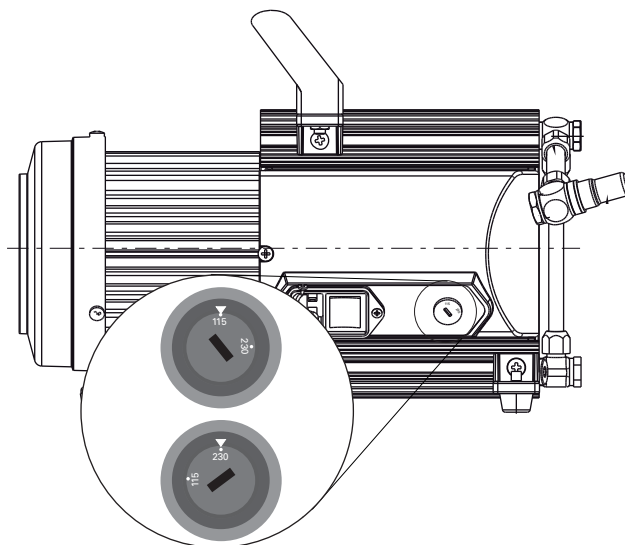
Overvoltage!

An incorrect voltage range setting can damage the motor.

- Disconnect the pump from the power supply.
- Only change the voltage range when the pump is disconnected from the power mains.

Changing the voltage range

- Disconnect the pump from the power supply.
- Set the desired voltage range on the voltage selector switch using a suitable screwdriver.



Switch position:	"115"	"230"
Voltage ranges:	90 ... 126 V, 50/60 Hz	180 ... 254 V, 50/60 Hz

Motor protection

A self-locking thermal winding protector switches off the pump motor in the event of overheating.

→ Allow the pump to cool off several minutes and do not switch it back on until it has cooled off.

Intermittent operation with TC via relay box (accessory)

Connection of diaphragm pumps in the pumping station according wiring diagram in operating instructions of the Backing Pump Relay Boxes:

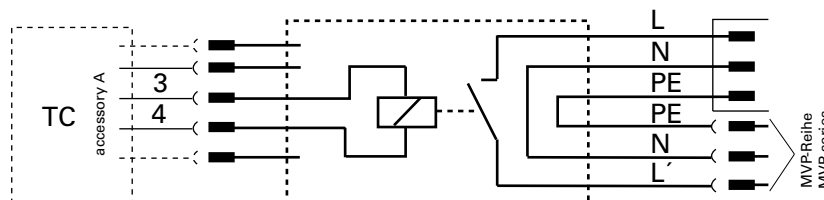


Fig. 3: Connection of MVP 020-3 AC with relay box (PM 061 372-T/374-T) to TC 110/400

MVP 020-3 DC

In addition to the voltage input 13, the pump is equipped with a control signal input 16.

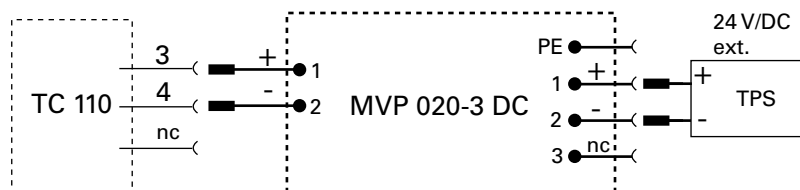
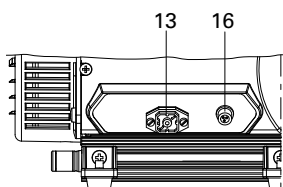


Fig. 4: Connection of the MVP 020-3 DC at TC for intermittend operation

13 Power supply, 4-pin socket

16 Control voltage, 2-pin plug

6 Operation

6.1 Before switching on the pump

- Compare the voltage information on the rating plate with the mains voltage.
- Check that the exhaust connection allows free flow (max. permissible pressure 1.1 bar absolute).
 - Activate the shut-off valves in such a way that they open before or at the same time as the pump is started.
- Protect the pump sufficiently from taking in contaminants by means of suitable precautions (e.g. dust filters).



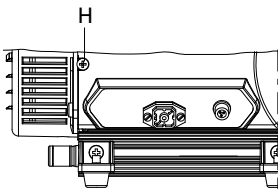
CAUTION

Dangerous overpressure overload!

Mixing up the connections leads to a dangerous overpressure overload in the pump, and the motor could be damaged.

- Before commissioning, it is imperative that you ensure that the pressure does not rise above the maximum permissible pressure on the pressure side.
- Start pumps at a maximum pressure differential of 1 bar between inlet and outlet.

6.2 Control signals



In order to select the control signal input the DIP switch, sliding switch and trimmer on the control board the side pump cover must be set.

- Loosen screw H and pull the cover away as far as necessary; be mindful of the cable.

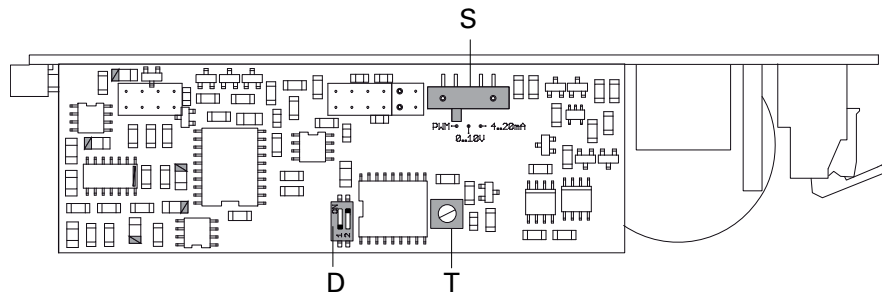
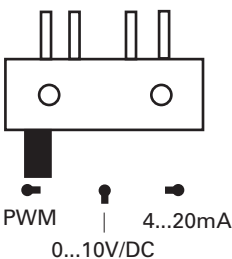


Fig. 5: Circuit board layout



Setting	Function
PWM:	External digital setting of the motor rotation speed via the PWM signal
0 ... 10 V/DC:	External analog setting of the motor rotation speed via voltage pre-selection
4 ... 20 mA:	no function

Fig. 6: Adjustments at sliding switch S



1	2	Function
on	on	Setting the motor rotation speed via the trimmer (programming mode).
on	off	Interlocking the trimmer pre-selection as previously selected (operating mode).
off	on	External digital setting of the motor rotation speed via the PWM signal.
off	off	External analog setting of the motor rotation speed via voltage pre-selection (0 ... 10V/DC).

Fig. 7: Adjustments at DIP switch

6.3 Switching on the pump

The pump can be switched on in any pressure range between atmospheric and ultimate pressure.

The pump attains the stated values for throughput rates and final pressure levels only once the operating temperature is reached (after approximately 15 minutes).

→ Switch on the pump with the vacuum flange closed and allow to warm up for 15 minutes.



CAUTION

Hot surface!

Danger of burns if hot parts are touched. Depending on the operating and ambient conditions, the surface temperature of the pump may rise above 70 °C.

→ In this case, use suitable finger guards.

Intermittent Operations with turbo electronics

To prolong the life of diaphragm pumps, intermittent operations can be selected with lesser gas throughputs of < 0.18 mbar l/s. This means that, dependent on the TMP power take-up, the backing pump will be switched on and off. TMP power take-up is dependent on the fore-vacuum pressure and gas throughput.

- By comparing the power take-up with an upper and a lower limit value, the relative switch-on duration with lesser gas throughputs can be reduced to approx. 1 to 60%.
- To avoid too frequent switching on, the buffer volume in the fore-vacuum line should amount to ≥0.5 liter from approx. 0.018 mbar l/s.

Note! For this operation mode there is no variable speed control possible.

→ Carry out adjustments at sliding switch and DIP switch for operation with PWM signal.

→ Connect galvanic isolated PWM-signal to signal input 16.

- 0 V ==> Pump „off“
- 24 V ==> Pump „on“ (max. rotation speed)

Variable speed control

→ Carry out adjustments at sliding switch and DIP switch for operation with PWM signal.

→ Connect galvanic isolated PWM signal to signal input 16 for variable customized speed control.

- (5V ... 24V); absolutely necessary!
- Frequency range: >100 Hz, < 1,5 kHz.

PWM signal	< 25 %	25 %	25 % ... 75 %	> 75 %
Number of revolutions	0 RPM	350 RPM	Linear increasing	1600 RPM

6.4 Pumping condensable vapours

Steam or moisture from pumped media can condense in the vacuum pump and hence impair the suction performance.



WARNING

Reactive, explosive or otherwise dangerous mixtures!

Uncontrolled gas inlet at the gas ballast valve can result in dangerous mixtures.

- By implementing the required safety measures, the user must prevent potentially explosive mixtures from occurring in the inside of the pump and from being ignited in the event of a diaphragm crack by mechanically produced sparks, hot surfaces or static electricity.
- If necessary, use inert gas for ventilation and gas ballast supply.



NOTE

Bad final vacuum and damage to the pump!

Danger of condensation and a reduced final vacuum during operation without a gas ballast or in case of insufficient supply of flushing gas.

- Only pump vapors when the pump is warm and the gas ballast valve is open.
- When the process has been completed, allow the pump to continue running for about 30 minutes at atmospheric pressure with the gas ballast open.

Purge orifice (option)

The rate of expulsion of condensate can be increased by admitting a purge media (air) and the pump will attain the specified final pressure within a shorter time.

- For this replace the screw plug 20 with a purge orifice 20.1.



NOTE

Danger of process gas discharge!

For intake pressures > 500 mbar process gas can discharge at the purge orifice.

- Use a suction line, if applicable.



6.5 Switching off

The pump can be switched off in any pressure range.

7 Maintenance

7.1 Precautions



WARNING

Pump parts may be contaminated from pumped media!

Danger of poisoning due to contact with harmful substances.

- Decontaminate the pump before carrying out any maintenance work.
- In the event of contamination, take suitable safety precautions to prevent your health from being harmed by any dangerous substances.

The valves and the diaphragms are wear parts. If the rated ultimate vacuum is no longer achieved, the pump interior, the diaphragms and the valves must be cleaned and the diaphragms and valves must be checked for cracks or other damage.

Depending on individual cases it may be efficient to check and clean the pump heads on a regular basis. In case of normal wear the lifetime of the diaphragms and valves is > **10000** operating hours.

- Turn off the vacuum pump, vent to atmospheric pressure and allow to cool, if necessary.
- Only dismantle the pump as far as necessary in order to repair defects.
- Use only alcohol or similar agents for cleaning pump parts.
- Re-assemble pump in reverse order.



NOTE

Service work should be carried out by qualified personal only!

Pfeiffer Vacuum is not liable for any damage to the pump resulting from work carried out improperly.

- Take advantage of our service training programs; additional information at www.pfeiffer-vacuum.net.
- Please state all the information on the pump rating plate when ordering spare parts.

Checklist for inspection, maintenance and overhaul

Certain repair and overhaul work should only be performed by Pfeiffer Vacuum Service (PV). Pfeiffer Vacuum will be released from all warranty and liability claims if the required intervals for inspection, maintenance, or overhaul are exceeded or inspection, maintenance, repair or overhaul procedures are not performed properly. This also applies if replacement parts other than Pfeiffer Vacuum OEM replacement parts are used.

Activity	daily	as required; at least once every six months	as required; at least annually	as required; at least every 2 years
Check silencer for contamination		X		
Clean, change valves and diaphragms			X	
Change silencer				X

Depending on the process, the required intervals for inspection and maintenance can exceed the typical values specified in the table. Please consult Pfeiffer Vacuum if necessary.

7.2 Cleaning and replacing diaphragm and valves

Cleaning and replacing the valves

- Turn off the vacuum pump, vent to atmospheric pressure and allow to cool, if necessary.
- Disconnect the drive motor from the mains and secure it so that it cannot be switched on.
- Unscrew banjo bolt 11 with open-end wrench (SW 14) at housing cover 1.1;
 - loosen interhead connection only at the top.
- Loosen Phillips head screws at handle 9 and slide handle off the guide.
- Unscrew cylinder head screws 1.3 at the pump head and remove housing cover 1.1; be mindful of the position of the valve seals 3.
 - If the valve seals stick to the housing cover, carefully loosen the seals, otherwise remove the valve seals from the head covers.
 - Replace damaged valve seals.
- Remove head cover 3.1.
- Clean all parts and inspect for wear.



NOTE

Damage to the valve seals

Valve seals can be destroyed by gluing to after wrong installation.

- Pay attention to the fitting position of the inlet and outlet valve seals. The valve flap of the valves may not cover the groove in the head and housing cover K/G.

- Re-assemble pump in reverse order.
- Check the other membrane head in the same way.

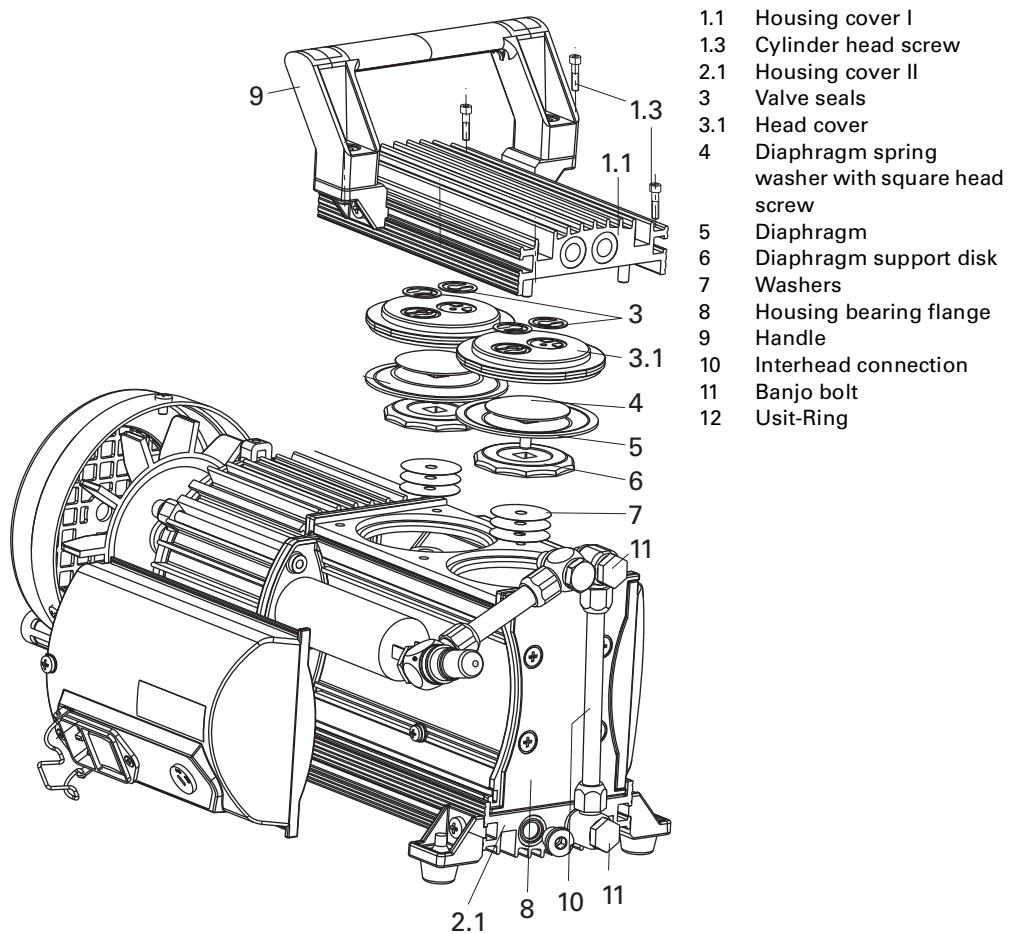


Fig. 8: MVP 020-3 AC

Changing the Diaphragm



NOTE

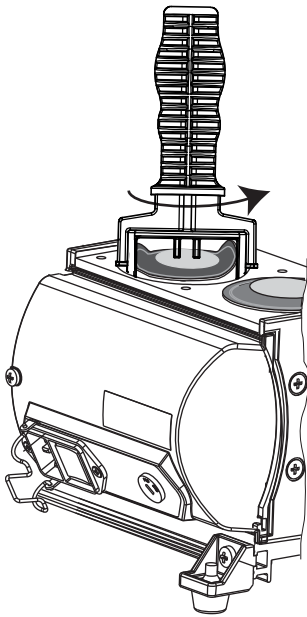
Damage to the pump and reduced final vacuum!

A changed dead centre (TDC) leads in the most unfavorable case to a bearing damage.

→ Check for washers 7 under diaphragm support washer.

→ Make sure that the original number is reassembled at the individual membrane head.

Apply diaphragm key



- Carry out preliminary work as described before.
- Carefully raise the diaphragm at the side without causing it any damage; do not use sharp-edged tools.
- Slide diaphragm key under the diaphragm until it reaches the support disk.
- Use the diaphragm key to loosen the diaphragm support disk and unscrew together with diaphragm and diaphragm spring washer.
- Detach diaphragm support disk 6 and diaphragm 5 from the square head of the connecting screw of the diaphragm clamping disk 4.
 - If it is difficult to separate the old diaphragm from the diaphragm support disk 6, loosen in alcohol or cleaning solvent, for example.

Assembly

- **Assembling** is carried out in reverse order.
- Position new diaphragm 5 between diaphragm spring washer 4 with square head screw and diaphragm support washer 6; make sure that the square head screw of the diaphragm clamping disc is correctly seated in the guide hole of the diaphragm support disc.

Assemble diaphragms with diaphragm key

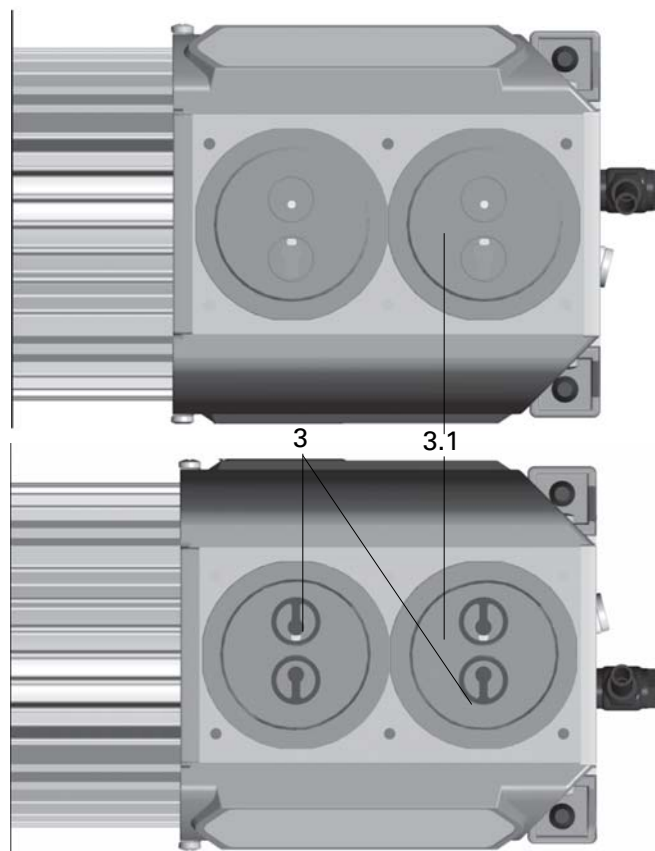
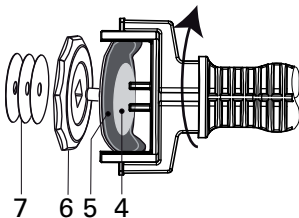


Fig. 9: Position of the valve seals

- Raise the diaphragm at the side and carefully slide the diaphragm key through to the diaphragm support disk.

- When existing, re-fit spacers 7 under the diaphragm support washer 6.
- Screw diaphragm spring washer, diaphragm, diaphragm support washer and spacers (if applicable) to connecting rod; optimum torque: **6 Nm**.
- Bring the diaphragms into a position in which they are in contact with the housing and centred with respect to the bore.
- Refit head cover and valve seals 3 in reverse order, taking care with the position of valve seals (see fig.).
- Mount housing cover 1.1;
 - move housing cover slightly to make sure that the head covers are correctly positioned.
- First gently and then firmly tighten diagonally-offset cheesehead screws 1.3; torque: **6 Nm**.
- Turn pump 180° and similarly disassemble diaphragm head.
- Assemble handle 9 with screws and tighten.
 - Check for correct position of the handle over the centre of gravity of the pump. The handle is in correct position if the end of the handle is positioned over the end of the housing cover.
- Reassemble interhead connection 10 between the diaphragm heads and banjo bolt tightly with open-end wrench (SW 14).

7.3 Checking the pump



NOTE

The pump doesn't achieve the specified values for throughput and ultimate pressure!

A run-in period of several hours is required before the pump achieves its specifications.

- Check hose connectors between pump heads.
- If necessary examine the work performed.

8 Decommissioning

8.1 Shutting down for longer periods

Before shutting down the pump, observe the following procedure and adequately protect the pump system against corrosion:

Shortly after condensate has formed:

- Let the vacuum pump continue to run for several minutes with the intake port open.
- Should media get into the pump which could corrode the pump materials or form deposits, clean and check the diaphragm heads.

In the long term:

- Carry out the measures described for brief shutdowns.
- Disconnect the pump from the equipment.
- Close the manual gas ballast valve.
- Close the inlet and outlet opening (e.g. with transport caps).
- Store the pump in a dry place.

9 Malfunctions

Please note the following instructions should the pump malfunction:



CAUTION

Hot surface!

Danger of burns if hot parts are touched. The surface temperature of the pump may rise above 105 °C in case of malfunction.

- Carry out work on the pump only after it has cooled to a safe temperature.

9.1 Rectifying malfunctions

Problem	Possible causes	Remedy
Pump will not start up	No mains voltage or voltage does not correspond to the motor data	Check mains voltage and mains fuse protection; check motor switch
	Pump temperature too low	Warm up pump to > 12°C
	Thermal protection switch of the motor has responded	Detect and fix cause of overheating; allow pump to cool off if necessary.
	Phase failure	Check fuse
	Diaphragms or valves dirty	Clean pump (see p. 15, chap. 7)
	Overpressure in the exhaust lead	Check exhaust lead
	One of the integrated fuses is defective	Check fuses and replace if necessary
Pump switches off after a while after being started	Thermal protection switch of the motor has responded	Detect and fix cause of overheating; allow pump to cool off if necessary.
	Mains fuse protection triggered due to overload (e.g. cold start)	Warm up pump
	Exhaust pressure too high	Check opening of exhaust line and exhaust accessories
Pump not achieving the end pressure	Condensate in the pump	Operate pump for a longer period of time at atmospheric pressure; if necessary, open the gas ballast valve
	Gas ballast valve open	Close gas ballast valve
	Valves or diaphragms dirty or defective	Clean or change valves and diaphragms (see p. 15, chap. 7)
	Leak in the system	Fix leak
Pumping speed of pump too low	Intake line not well-dimensioned	Keep connections as short as possible and see that cross-sections are sufficiently dimensioned
	Exhaust pressure too high	Check opening of exhaust line and exhaust accessories
Unusual noises during operation	Diaphragms or valves defective	Clean or change valves and diaphragms (see p. 15, chap. 7)
	Suction chamber dirty	Clean suction chamber
	Silencer loose or missing	Check silencer; replace if necessary
	Valves dirty or defective	Clean or change valves and diaphragms (see p. 15, chap. 7)
	Motor fan defective	Replace motor fan
	Connection rod or motor bearing defective	Contact Pfeiffer Vacuum Service

MVP 020-3 DC

Problem	Possible causes	Remedy
Pump will not start up	DC-Version: Control voltage faulty	Check control voltage



NOTE

Service work should be carried out by qualified personal only!

Pfeiffer Vacuum is not liable for any damage to the pump resulting from work carried out improperly.

→ Take advantage of our service training programs; additional information at www.pfeiffer-vacuum.net.

→ Please state all the information on the pump rating plate when ordering spare parts.

10 Service

Pfeiffer Vacuum offers first-class service!

- Maintenance/repairs on the spot by Pfeiffer Vacuum field service
- Maintenance/repairs in the nearby service center or service point
- Fast replacement with exchange products in mint condition
- Advice on the most cost-efficient and quickest solution

Detailed information and addresses at: **www.pfeiffer-vacuum.net (Service).**

Maintenance and repairs in the Pfeiffer Vacuum ServiceCenter

The following steps are necessary to ensure a fast, smooth servicing process:

- Download the forms "Service Request" and "Declaration on Contamination".¹⁾
- Fill in the "Service Request" form and send it by fax or e-mail to your service address.
- Include the confirmation on the service request from Pfeiffer Vacuum with your shipment.
- Fill in the contamination declaration and enclose it in the shipment (required!).
- Dismantle all accessories.
- Send the pump in its original packaging if at all possible.

Sending of contaminated pumps or devices

No units will be accepted if they are contaminated with micro-biological, explosive or radioactive substances. "Hazardous substances" are substances and compounds in accordance with the hazardous goods directive (current version). If pumps are contaminated or the declaration on contamination is missing, Pfeiffer Vacuum performs decontamination at the shipper's expense.

- Neutralise the pump by flushing it with nitrogen or dry air.
- Close all openings airtight.
- Seal the pump or unit in suitable protective film.
- Return the pump/unit only in a suitable and sturdy transport container and send it in while following applicable transport conditions.

Service orders

All service orders are carried out exclusively according to our repair conditions for vacuum units and components.

¹⁾ Forms under www.pfeiffer-vacuum.net

11 Spare parts

Pos.	Spare part package/ Spare parts	Pieces MVP 020-3 AC	Pieces MVP 020-3 DC	No.	consisting of the parts
	Set of wearing parts			PU E22 003 -T	4 x Pos. 5, 8 x Pos. 3 Diaphragm key and sealing ring forsilencer
2	Silencer	1	1	P 0995 942	
11	Banjo bolt	1 von 2	1 von 2	P 0995 943	
12	Usit sealing ring	1 von 8	1 von 7	P 3529 133 -P	
	Diaphragm key	1	1	P 0995 941	

12 Accessories

Description	MVP 020-3 AC
Mains cable 115 / 230 V without plug, right angle IEC 320/C13 socket, 3 m	PK 050 111
Mains cable 115 V with UL-plug, right angle IEC 320/C13 socket, 2 m	PK 050 110
Mains cable 230 V with safety plug CEE 7, right angle IEC 320/C13 socket, 2 m	PK 050 109
Screw-in flange DN 16 ISO-KF / G 1/8" incl. seal	PK 050 108-T
Flushing gas nozzle for MVP 020-3 AC/DC	PK 050 122
Description	MVP 020-3 DC
TPS 150, mains pack for wall/standard rail fitting	PM 051 461-T
Connecting cable, length 3 m	PM 051 103-T
115 V AC mains cable with UL plug, IEC power socket (straight), 3 m	P 4564 309 ZE
230 V AC mains cable with Euro-style safety plug, IEC power socket (straight), 3 m	P 4564 309 ZA
Screw-in flange DN 16 ISO-KF / G 1/8" incl. seal	PK 050 108-T
Connecting cable, length 5 m	PM 051 104-T
Flushing gas nozzle for MVP 020-3 AC/DC	PK 050 122
Backing pump relay box, single phase 5 A, for TC 110/TCP 350	PM 061 372-T
Control cable 3/2 pole, TC 100 - MVP, 0,5 m	PM 061 433 -x

Further detailed accessories are contained in the Pfeiffer Vacuum printed or Online Catalogue.

13 Technical data

MVP 020-3 AC

Size	MVP 020-3 AC
Flange (in)	G 1/8" elbow union + enclosed hose DN 6 x 1000 mm with a elbow union in G 1/4" at the end
Flange (out)	G 1/8" + silencer
Nominal pumping speed at 50 Hz	1.2 m ³ /h
Nominal pumping speed at 60 Hz	1.4 m ³ /h
Ultimate pressure without gas ballast	≤ 2 mbar
Exhaust pressure max.	1100 mbar
Leak rate	1·10 ⁻¹ mbar l/s
Sound pressure level	48 dB (A)
Ambient temperature	12-40 °C
Motor rating	80 W
Rotation speed at 50 Hz	1500 rpm
Rotation speed at 60 Hz	1800 rpm
Mains requirement: voltage (selectable)	100-120/200-230 V, 50/60 Hz
Rated current absorption	100-120 V 50/60 Hz, 1.7 A; 200-230 V 50/60 Hz, 0.85 A
Switch	Yes
Weight	6.5 kg

MVP 020-3 DC

Parameter	MVP 020-3 DC
Flange (in)	G 1/8" + hose wave DN 6
Flange (out)	G 1/8" + silencer
Nominal pumping speed	1.2 m ³ /h
Ultimate pressure without gas ballast	≤ 2 mbar
Exhaust pressure max.	1100 mbar
Leak rate	1·10 ⁻¹ mbar l/s
Sound pressure level	48 dB (A)
Ambient temperature	12-40 °C
Motor rating	64 W
Rotation speed max.	1500 rpm
Mains requirement: voltage (range)	24 V (± 10 %)
Rated current absorption	24 V, 3.5 A
Switch	No
Weight	4.1 kg

13.1 Substances in contact with the media

Pump components	Substances in contact with the media
Housing cover	Aluminium
Head cover	Aluminium
Diaphragm clamping disc	Aluminium
Valve seals	FPM
Diaphragm	PTFE coated FPM
Vacuum connection, hose nipple	Aluminium, anodised
Exhaust, silencer	Aluminium and Silicone
Hose	Polyethylene, crossed-linked
Fittings	Aluminium, anodised

13.2 Dimensions

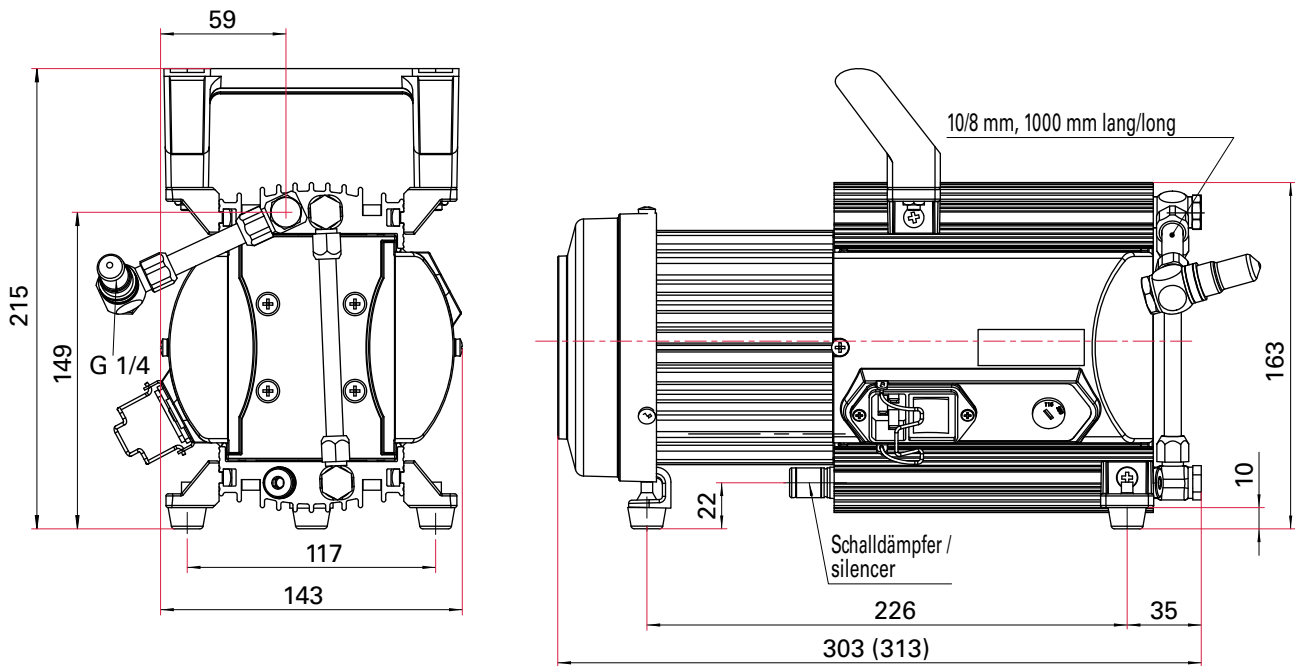


Fig. 10: MVP 020-3 AC (PK T01 110)

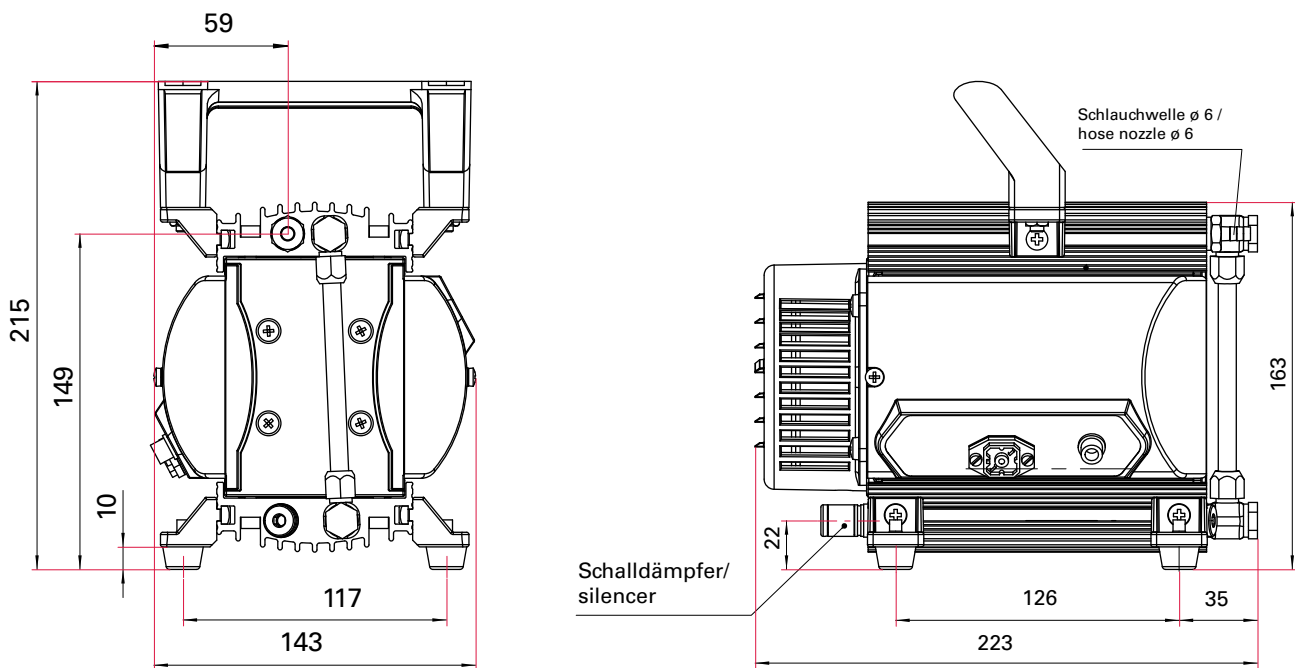


Fig. 11: MVP 020-3 DC



Declaration of conformity

according to the EC directive:

- **Machinery 2006/42/EC (Annex II, no. 1 A)**

We hereby declare that the product cited below satisfies all relevant provisions of EC directive "Machinery" **2006/42/EC**.

In addition, the product cited below satisfies all relevant provisions of EC directive "Electromagnetic Compatibility" **2004/108/EC**.

The agent responsible for compiling the technical documentation is Mr. Sebastian Oberbeck, Pfeiffer Vacuum GmbH, Berliner Straße 43, 35614 Asslar.

MVP 020-3 AC/DC

Guidelines, harmonised standards and national standards and specifications which have been applied:

DIN EN ISO 12100-2 : 2004

DIN EN 61010-1 : 2002

DIN EN 61326-1 : 2006

DIN EN 1012-2 : 1996

Signatures:

Pfeiffer Vacuum GmbH
Berliner Straße 43
35614 Asslar
Germany

(M. Bender)
Managing Director

(Dr. M. Wiemer)
Managing Director

CE/2010

Vacuum is nothing, but everything to us!



Turbopumps



Rotary vane pumps



Roots pumps



Dry compressing pumps



Leak detectors



Valves



Components and feedthroughs



Vacuum measurement



Gas analysis



System engineering



Service

PFEIFFER  **VACUUM**

Pfeiffer Vacuum Technology AG · Headquarters/Germany

Tel. +49-(0) 64 41-8 02-0 · Fax +49-(0) 64 41-8 02-2 02 · info@pfeiffer-vacuum.de · www.pfeiffer-vacuum.net