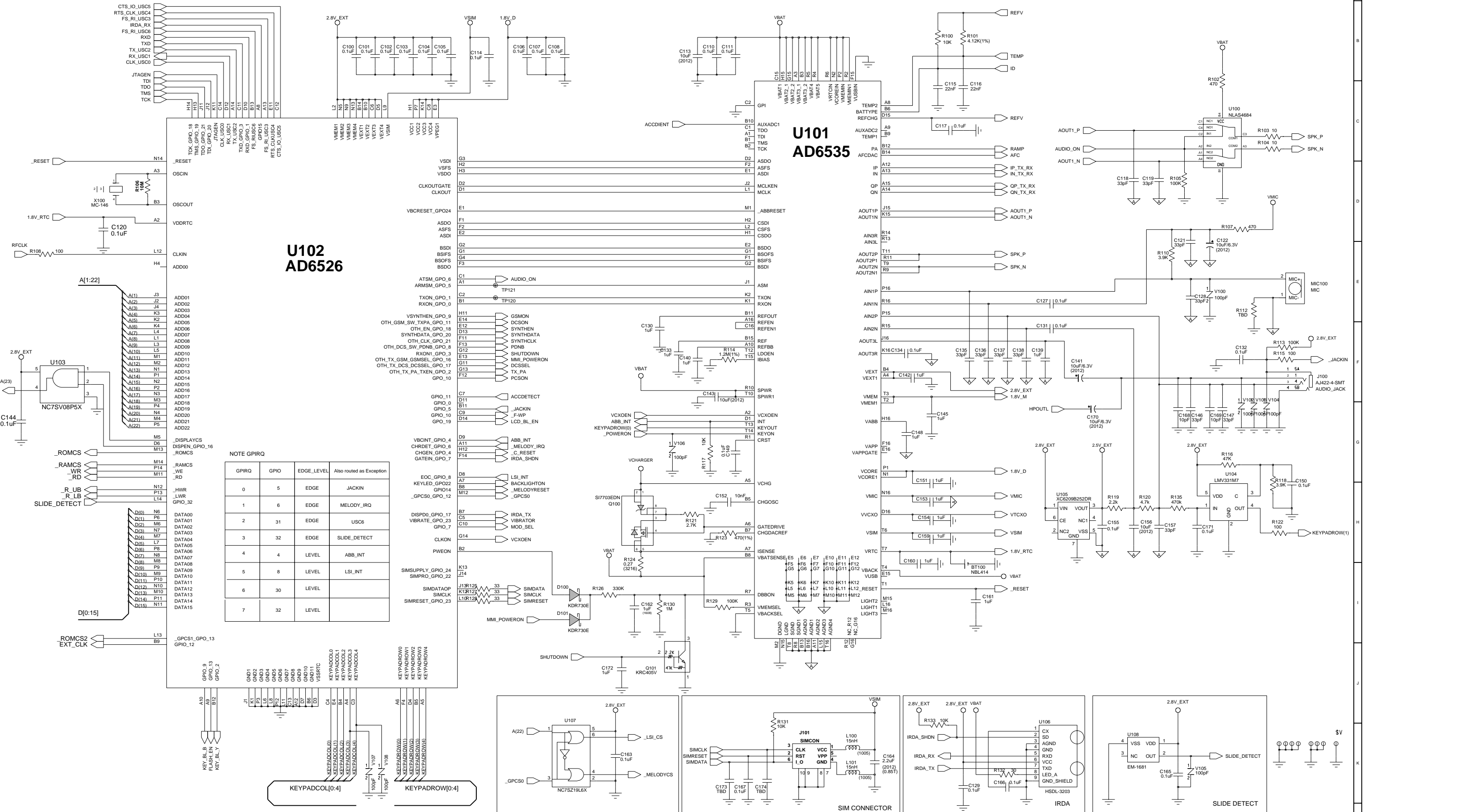


GSM PG3000 V1.0

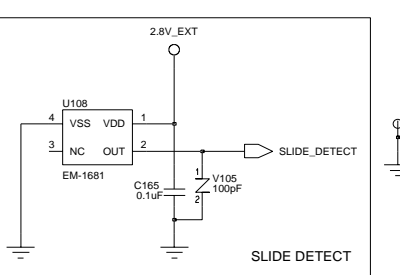
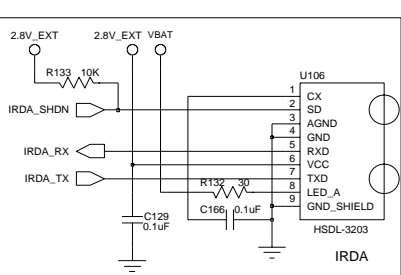
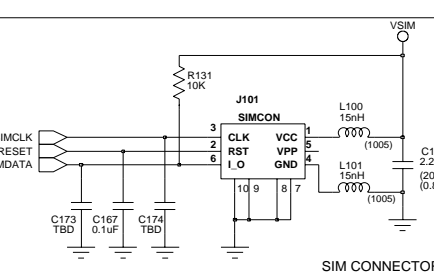
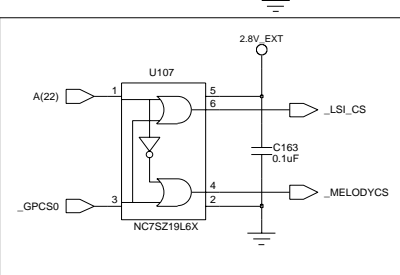
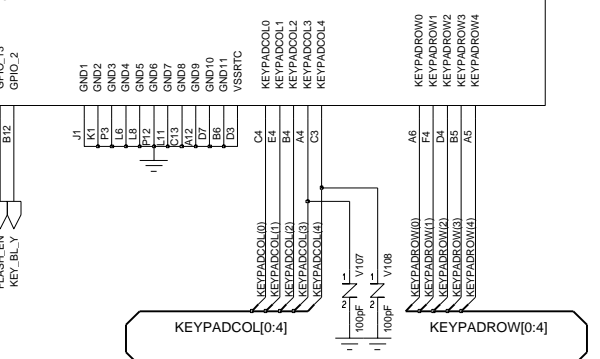


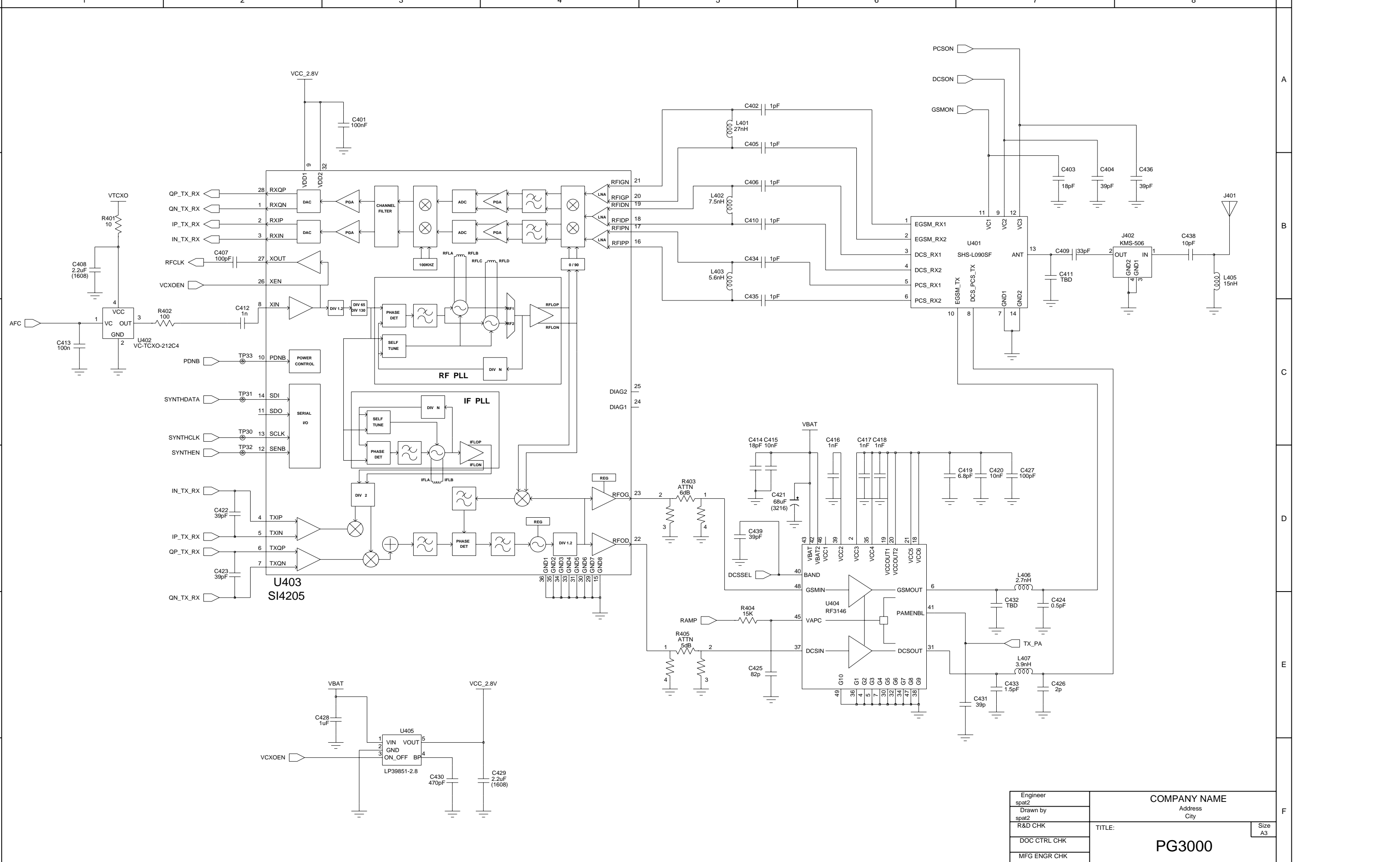
**U102
AD6526**

NOTE GPIRQ

GPIRQ	GPIO	EDGE_LEVEL	Also routed as Exception
0	5	EDGE	JACKIN
1	6	EDGE	MELODY_IRQ
2	31	EDGE	USC6
3	32	EDGE	SLIDE_DETECT
4	4	LEVEL	ABB_INT
5	8	LEVEL	LSI_INT
6	30	LEVEL	
7	32	LEVEL	

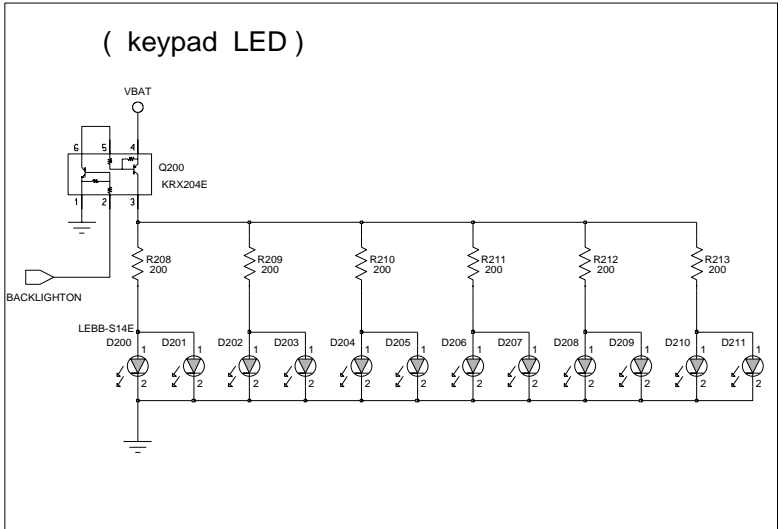
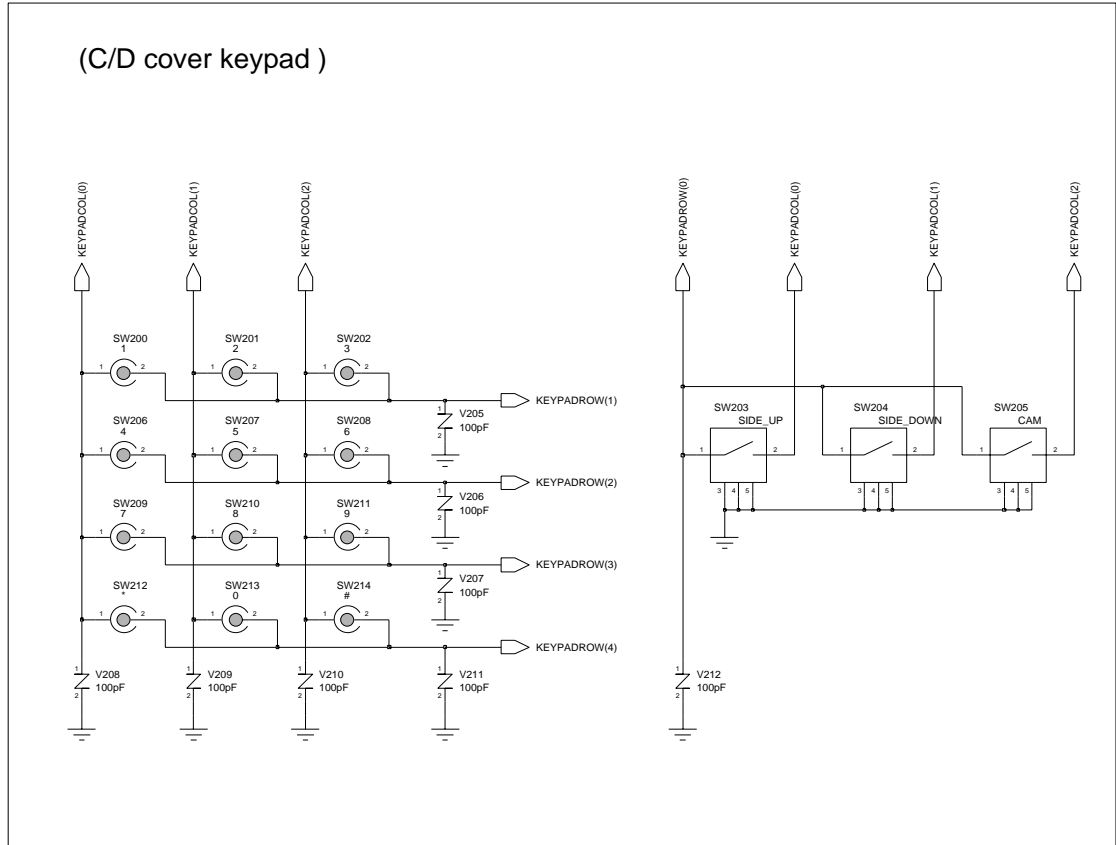
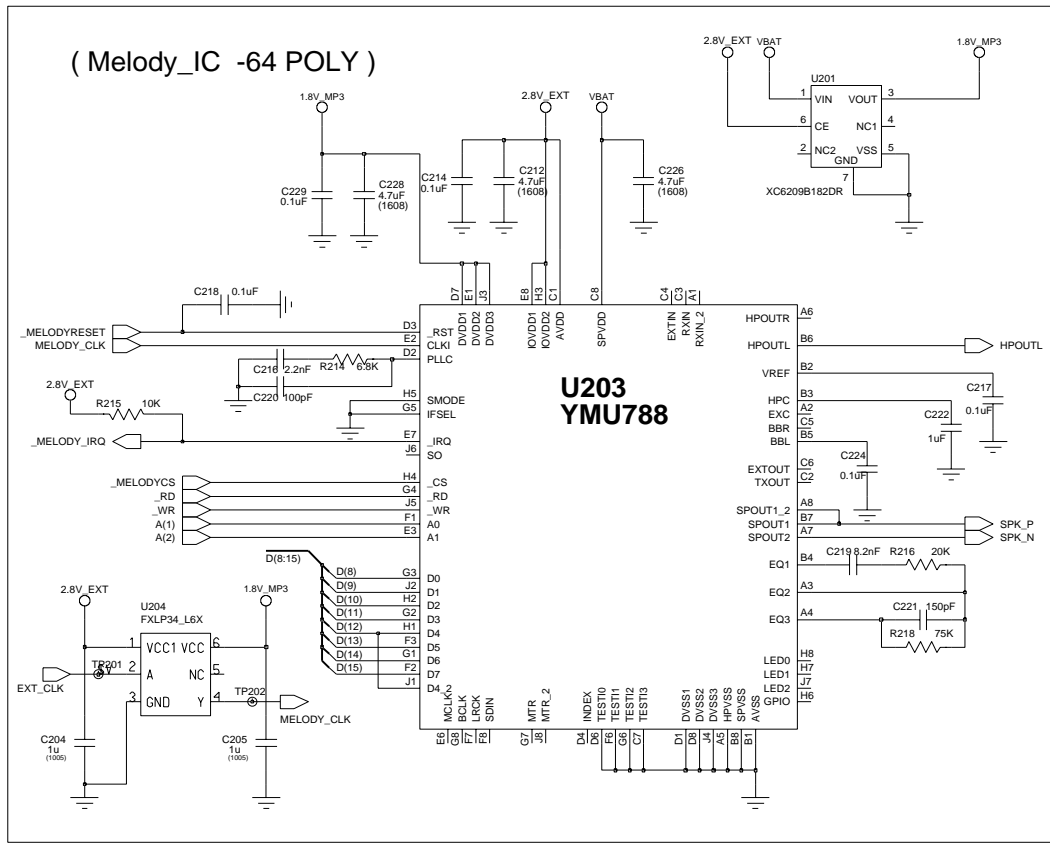
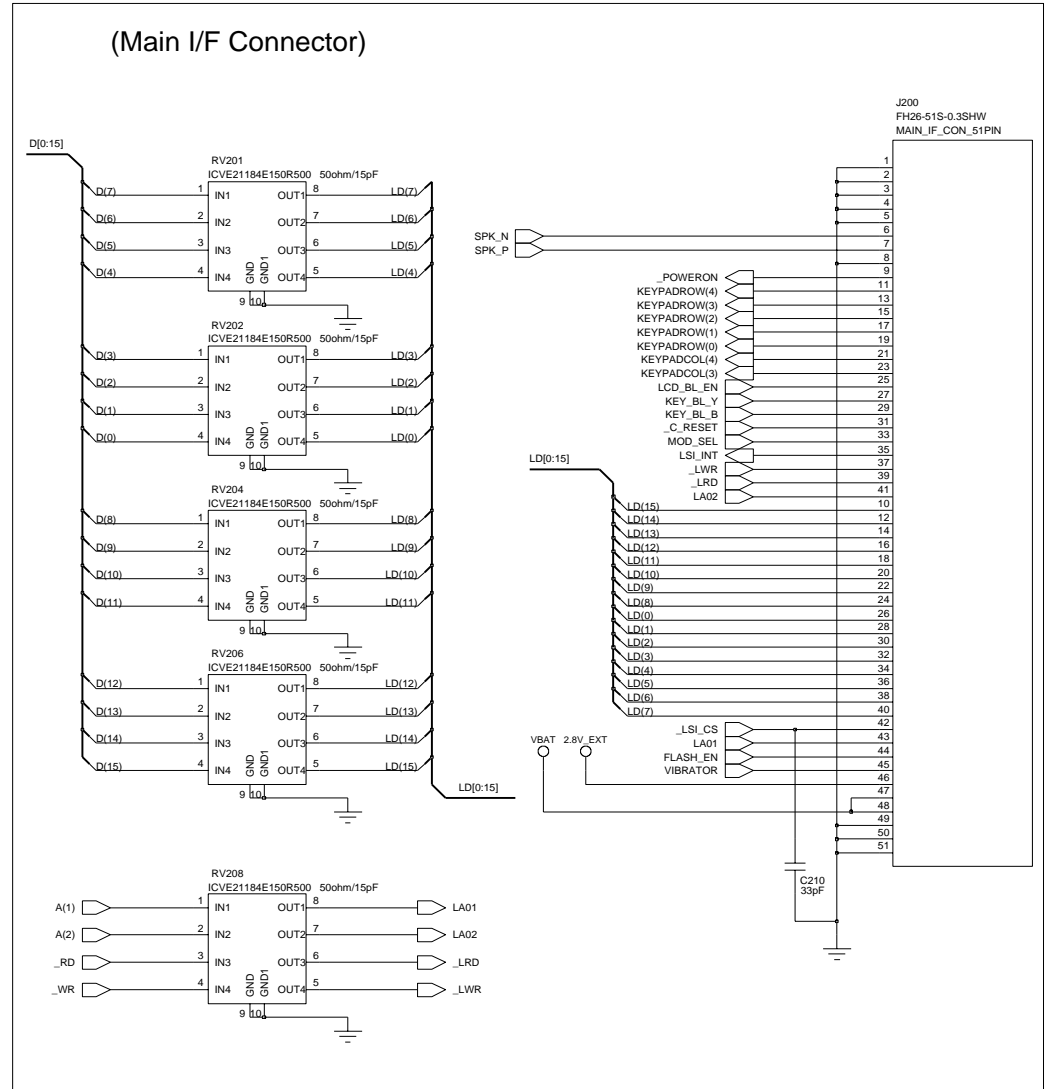
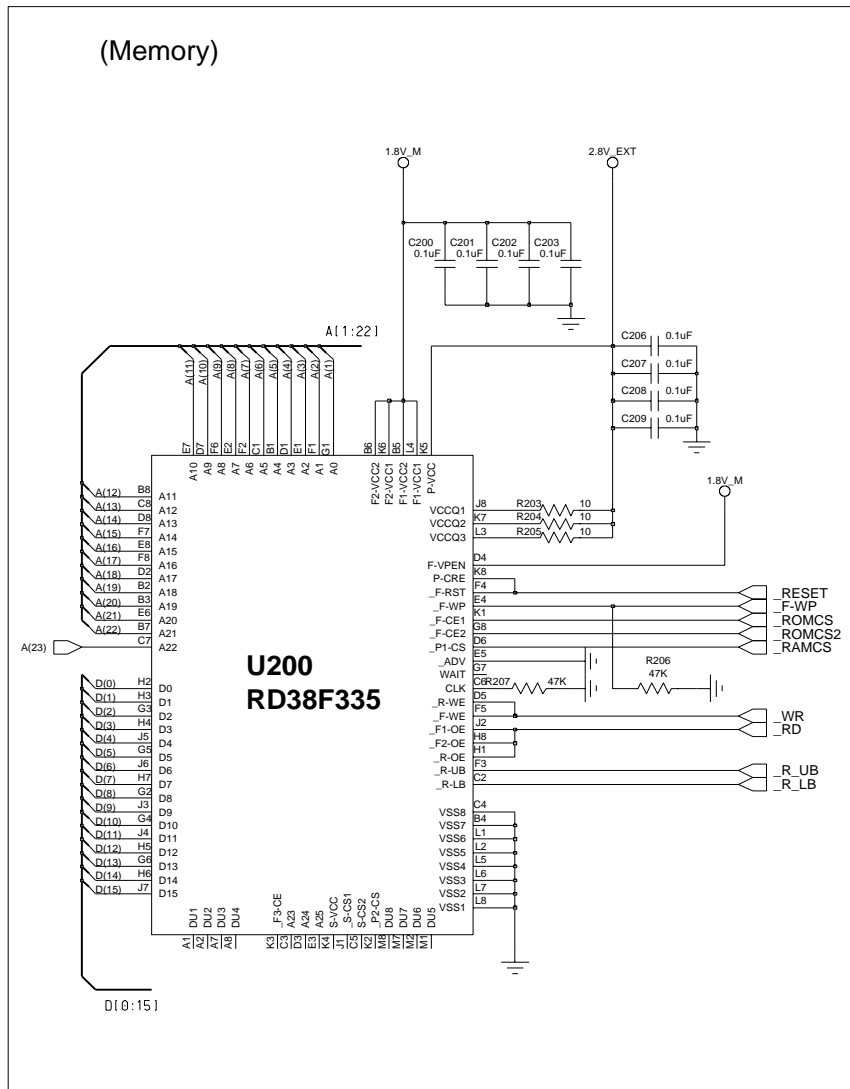
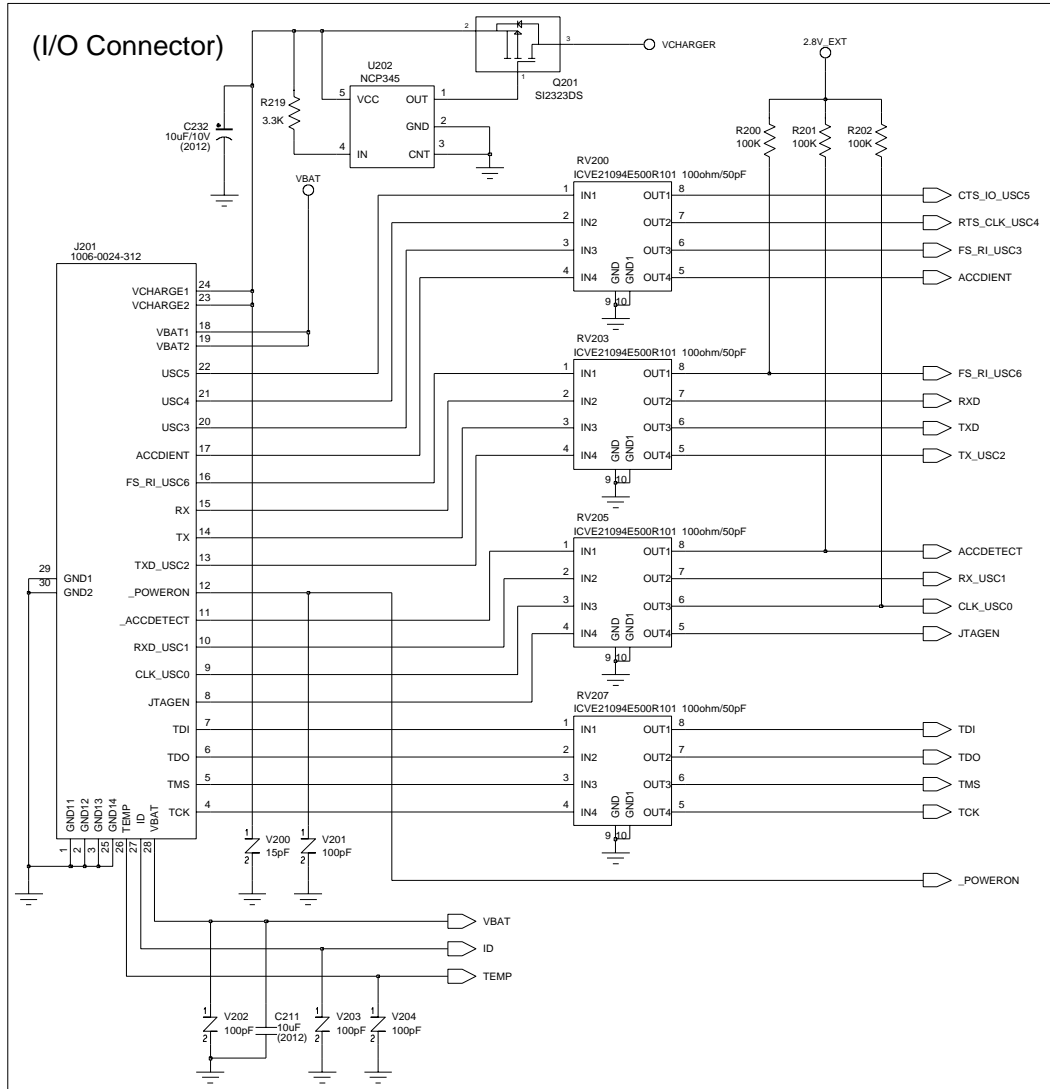
**U101
AD6535**



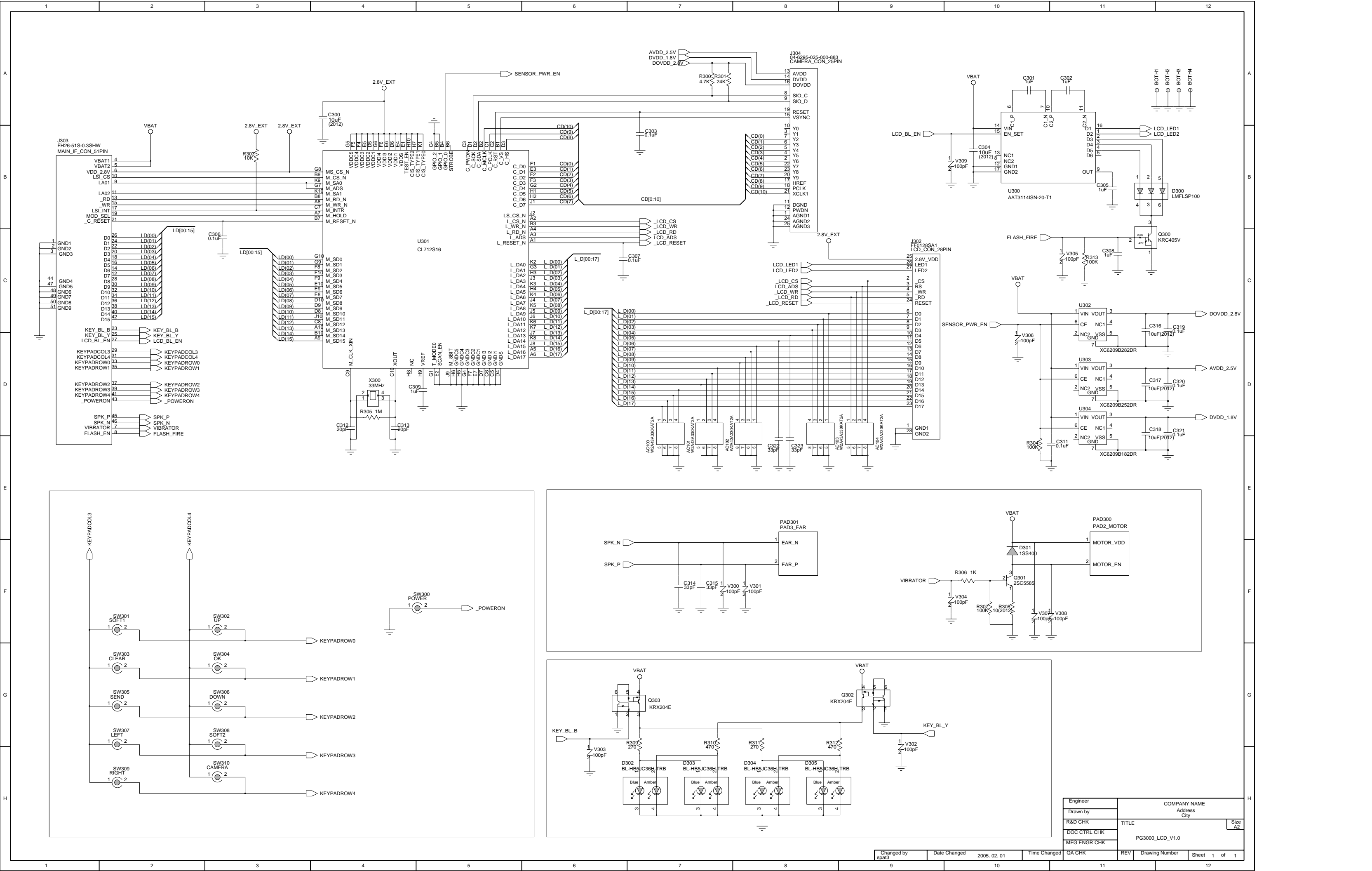


Engineer spat2	COMPANY NAME	
Drawn by spat2	Address City	
R&D CHK	TITLE:	Size A3
DOC CTRL CHK	PG3000	
MFG ENGR CHK		

Changed by spat2	Date Changed 2005.02.01	Time Changed	QA CHK	REV 1.0	Drawing Number	Sheet 3 of 3
---------------------	----------------------------	--------------	--------	------------	----------------	--------------



Engineer	PANTECH	
Drawn by	TITLE	
DATE CHK	PG3000 BASEBAND MAIN 2	
DOC CONTROL	REV 1.0	
MPG ENGR CHK	Drawing Number	
Changed by	Date Changed	2005.02.01
Time Changed	GA CHK	REV 1.0
Sheet		2 of 3



Engineer	COMPANY NAME		
Drawn by	Address		
R&D CHK	City		
DOC CTRL CHK	TITLE	Size	A2
MFG ENGR CHK	PG3000_LCD_V1.0		
QA CHK	REV	Drawing Number	Sheet 1 of 1

Changed by spai3 Date Changed 2005.02.01 Time Changed

