

# Retriever™ 5800G/P/D

---



## **PARTS LIST**

**Advance MODELS 56482005, 56482010, 56482015**

**This parts list is for machines after serial number 221134**

**All models covered in this manual are OBSOLETE**



**Nilfisk  
Advance**

*setting standards*

revised 2/01 Form Number 56042172

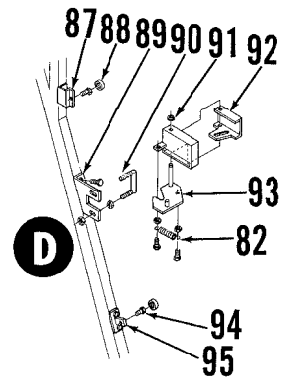
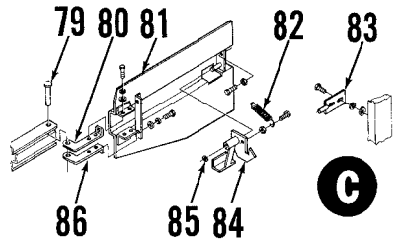
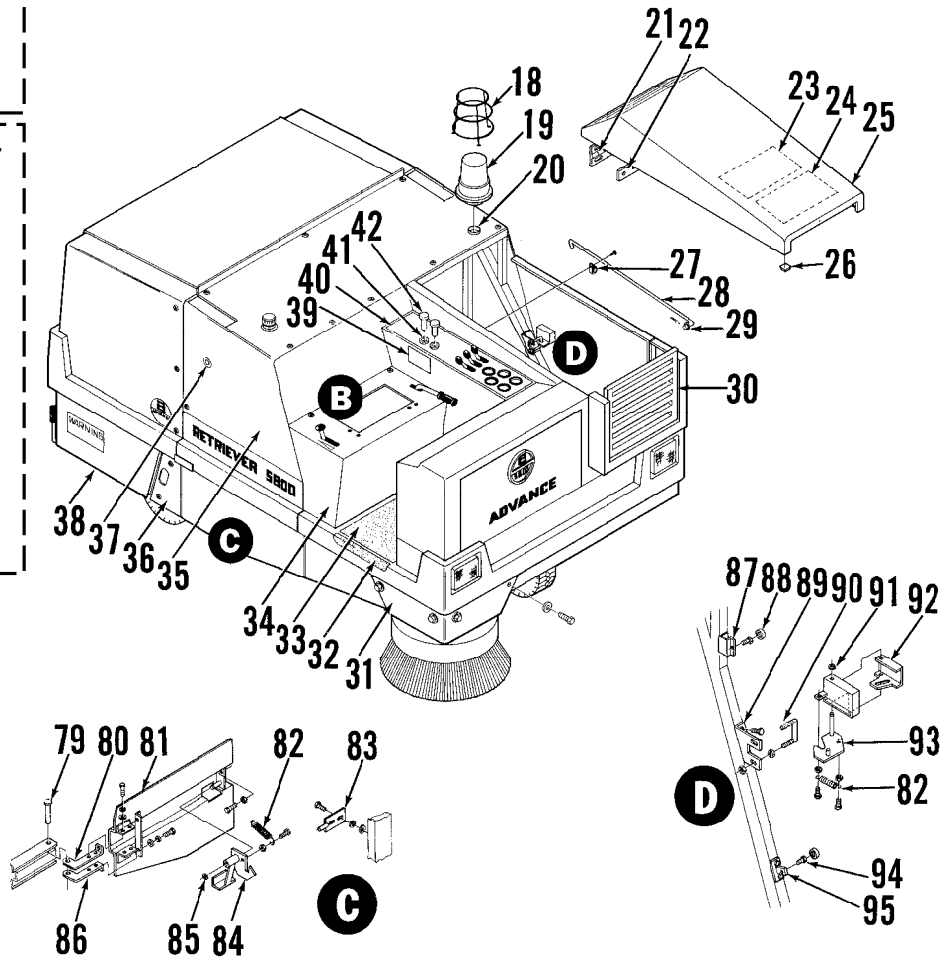
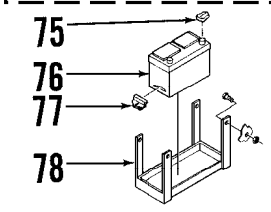
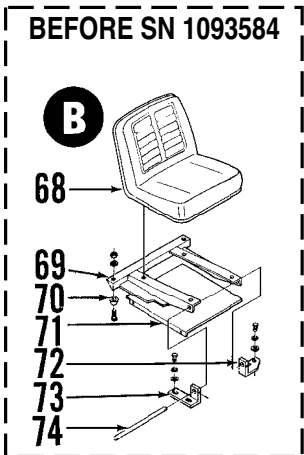
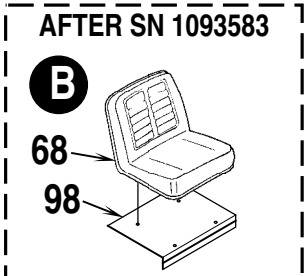
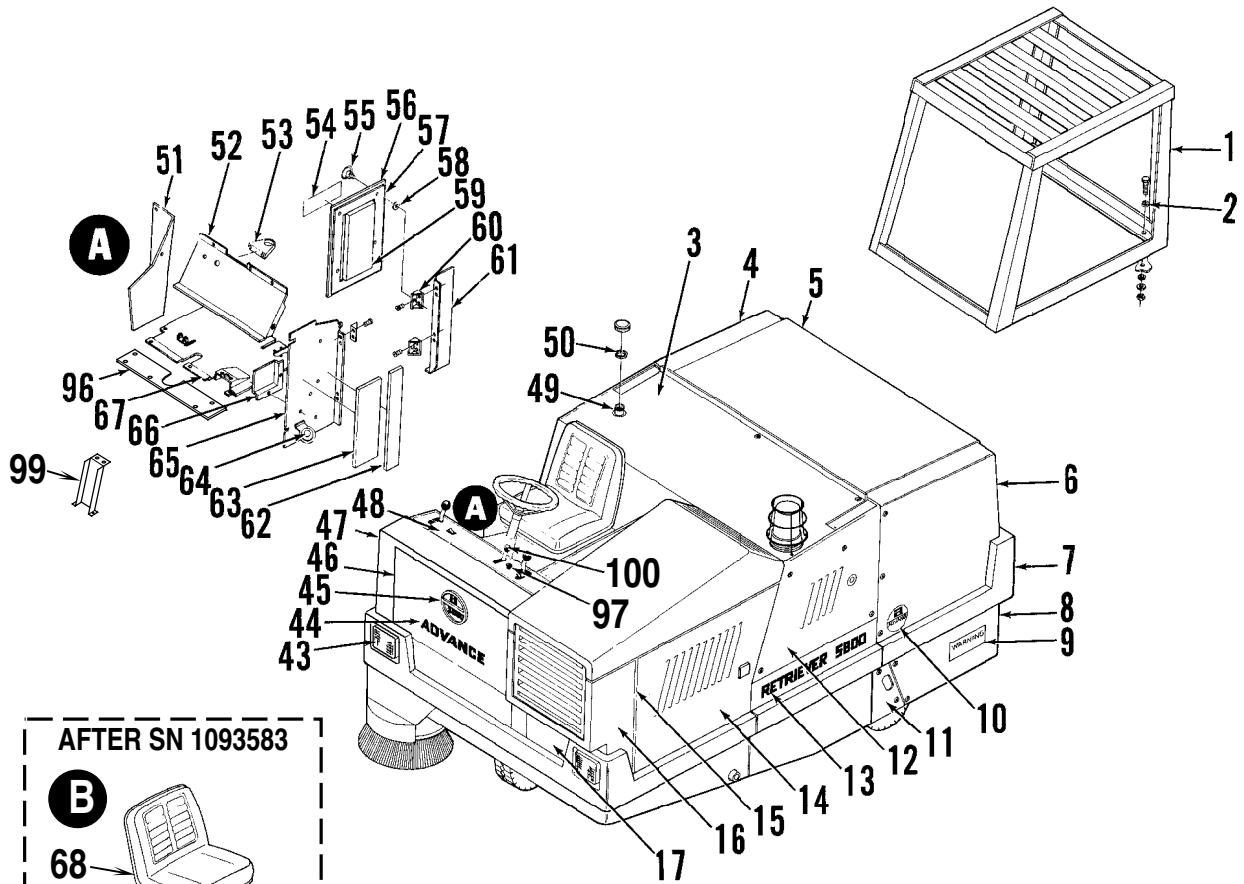
# TABLE OF CONTENTS

| <u>DESCRIPTION</u>                                     | <u>PAGE</u> |
|--|-------------|
| Housing Assembly .....                                 | 1-2         |
| Nissan Engine Assembly (before SN 1093584) .....       | 3-4         |
| L.P. System (before SN 1093584) .....                  | 5-6         |
| Diesel Engine (before SN 1156592) .....                | 7-8         |
| Accelerator Linkage (before SN 1093584) .....          | 9-10        |
| Impeller Assembly .....                                | 11-12       |
| Front Wheel Assembly (before SN 1093584) .....         | 13-14       |
| Rear Wheels .....                                      | 15-16       |
| Broom Housing .....                                    | 17-18       |
| Main Broom Assembly .....                              | 19-20       |
| Side Broom Assembly .....                              | 21-22       |
| Hopper Assembly .....                                  | 23-24       |
| Hydraulic Diagram (before SN 1093584) .....            | 25-26       |
| Nissan Engine Wiring Diagram (before SN 1093584) ..... | 27-28       |
| Diesel Engine Wiring Diagram (before SN 1156592) ..... | 29-30       |

### WHEN ORDERING PARTS

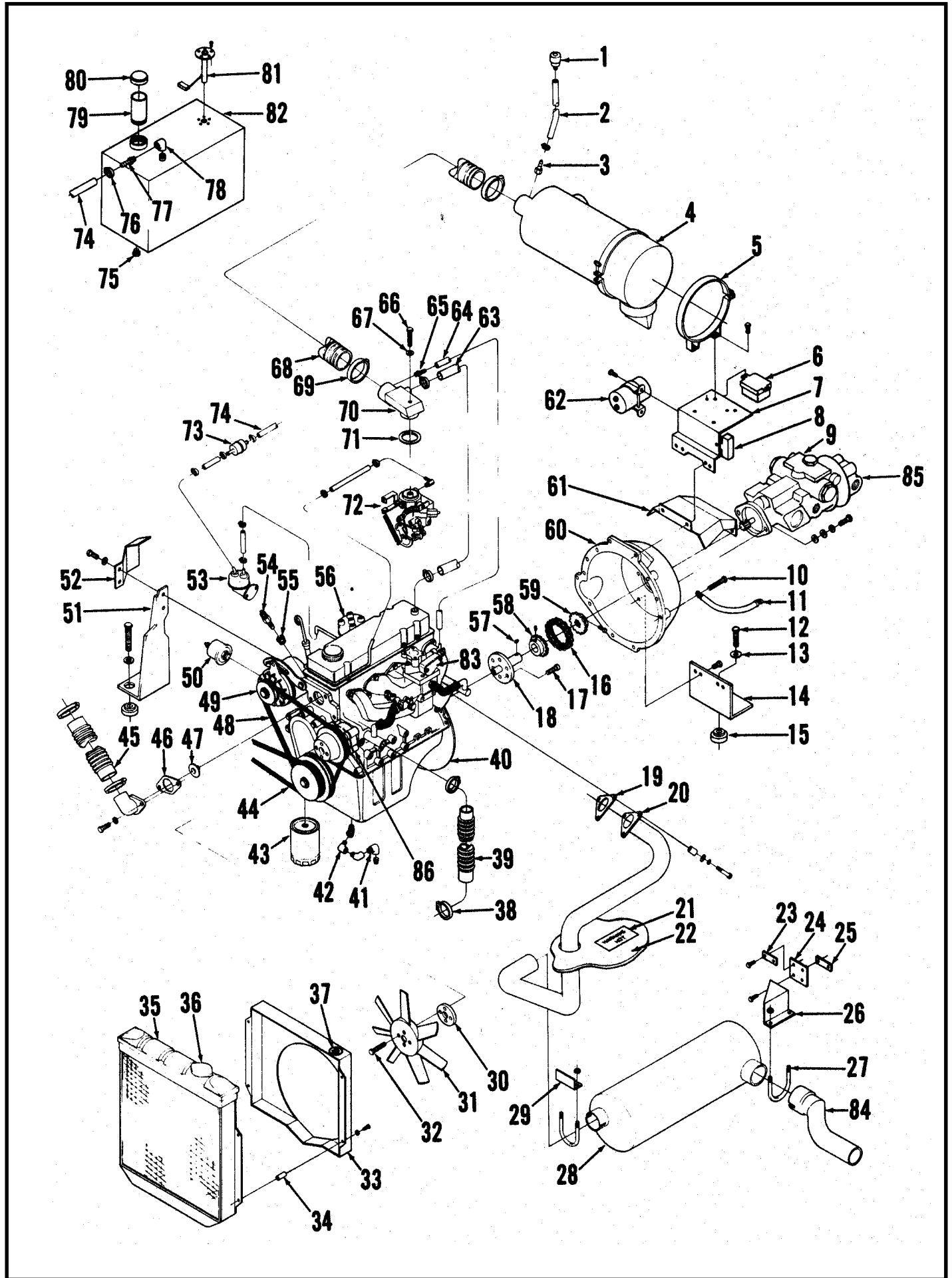
- \* Use the 8 digit numbers from the "Part No." columns in this parts list.
- \* Specify the model and serial number of the machine.
- \* Use the space below to record the model and serial number for future reference.

Model \_\_\_\_\_ Serial No. \_\_\_\_\_



## HOUSING ASSEMBLY

| Item | Part No. | Qty | Description                             | Item | Part No. | Qty | Description   |
|------|----------|-----|---|------|----------|-----|---|
| 1    | 56482597 | 1   | Overhead Guard Kit <b>(optional)</b>    | 50   | 56477512 | 1   | Grommet   |
| 2    | 56449340 | 90  | Washer                                  | 51   | 56482165 | 1   | Panel   |
| 3    | 56482444 | 1   | Top Panel                               | 52   | 56482164 | 1   | Ignition Panel                                      |
| 4    | 56481915 | 1   | Right Rear Hopper Panel                 | 53   | 56481417 | 1   | Steering Column Plate<br><b>(before SN 1093584)</b> |
| 5    | 56481909 | 1   | Hopper Cover                            | 54   | 56025360 | 1   | Decal, Caution                                      |
| 6    | 56481911 | 1   | Left Rear Hopper Panel                  | 55   | 56448104 | 4   | Fastener  |
| 7    | 56482144 | 1   | Hopper Assy <b>(before SN 1093584)</b>  | 56   | 56482163 | 1   | Access Panel  |
|      | 56482571 | 1   | Hopper Assy <b>(after SN 1093583)</b>   | 57   | 56479854 | 1   | Gasket  |
| 8    | 56481923 | 1   | Lower Left Rear Panel                   | 58   | 56448108 | 4   | Foam Insulation                                     |
| 9    | 56025100 | 3   | Decal, Warning                          | 59   | 56482391 | 1   | Washer  |
| 10   | 56015076 | 2   | Decal, Advance                          | 60   | 56448109 | 4   | Mounting Plate                                      |
| 11   | 56482194 | 1   | Left Wheel Cover                        | 61   | 56482167 | 1   | Panel   |
| 12   | 56482204 | 1   | Left Side Panel                         | 62   | 56482394 | 1   | Foam Insulation                                     |
| 13   | 56025548 | 2   | Decal, Retriever 5800                   | 63   | 56482393 | 1   | Foam Insulation                                     |
| 14   | 56482202 | 1   | Engine Door Assembly                    | 64   | 56442054 | 1   | Horn  |
| 15   | 56481467 | 1   | Hinge                                   | 65   | 56482166 | 1   | Electrical Panel                                    |
| 16   | 56482084 | 1   | Panel, Radiator Support                 |      | 56482310 | 1   | Electrical Panel Assembly                           |
| 17   | 56482080 | 1   | Panel, Radiator Support                 | 66   | 56482162 | 1   | Fuse Cover  |
| 18   | 56496061 | 1   | Light Guard <b>TSB 603, F-12</b>        | 67   | 56482177 | 1   | Floor Plate <b>(before SN 1093584)</b>              |
| 19   | 56489639 | 1   | Warning Light <b>TSB 603, F-12</b>      |      | 56482512 | 1   | Floor Plate <b>(after SN 1093583)</b>               |
| 20   | 56570206 | 1   | Grommet                                 | 68   | 56481346 | 1   | Seat  |
| 21   | 56481329 | 1   | Hinge                                   | *    | 56495871 | 1   | Slide <b>(used with 56481346)</b>                   |
| 22   | 56481964 | 1   | Hinge Strap                             | 69   | 56481354 | 1   | Seat Bracket <b>(before SN 1093584)</b>             |
| 23   | 56025551 | 1   | Hyd Decal <b>(before SN 1093584)</b>    | 70   | 56330708 | 2   | Bumper  |
|      | 56015812 | 1   | Hyd Decal <b>(after SN 1093583)</b>     | 71   | 56482170 | 1   | Plate <b>(before SN 1093584)</b>                    |
| 24   | 56025555 | 1   | Wiring Decal <b>(before SN 1093584)</b> | 72   | 56477569 | 1   | Left Bracket <b>(before SN 1093584)</b>             |
|      | 56015824 | 1   | Wiring Decal <b>(after SN 1093583)</b>  | 73   | 56477560 | 1   | Right Bracket <b>(before SN 1093584)</b>            |
| 25   | 56482091 | 1   | Hood <b>(before SN 1093584)</b>         | 74   | 56477540 | 1   | Shaft <b>(before SN 1093584)</b>                    |
|      | 56482514 | 1   | Hood <b>(after SN 1093583)</b>          | 75   | 56372673 | 2   | Battery Post Boot                                   |
| 26   | 56402940 | 2   | Bumper                                  | 76   | 56441511 | 1   | Battery   |
| 27   | 56482159 | 1   | Clamp                                   |      | 56481501 | 1   | Positive Battery Cable                              |
| 28   | 56482158 | 1   | Hood Prop                               |      | 56456458 | 1   | Negative Battery Cable                              |
| 29   | 56321559 | 1   | Grommet                                 | 77   | 56469193 | 2   | Battery Clamp                                       |
| 30   | 56482079 | 1   | Front Grill                             | 78   | 56477577 | 1   | Battery Tray  |
| 31   | 56481427 | 1   | Side Broom Guard                        | 79   | 56481449 | 1   | Pin   |
| 32   | 56477582 | 1   | Floor Mat                               | 80   | 56481519 | 1   | Upper Hinge   |
| 33   | 56482178 | 1   | Floor Mat                               | 81   | 56481437 | 1   | Right Side Door                                     |
| 34   | 56482221 | 1   | Seat Panel <b>(before SN 1093584)</b>   | 82   | 56330178 | 2   | Spring  |
|      | 56482506 | 1   | Seat Panel <b>(after SN 1093583)</b>    | 83   | 56481477 | 1   | Bracket   |
| 35   | 56481421 | 1   | Right Side Panel                        | 84   | 56481457 | 1   | Latch   |
| 36   | 56482195 | 1   | Right Wheel Cover Panel                 | 85   | 56321427 | 1   | Retaining Ring                                      |
| 37   | 56025106 | 2   | Decal, Safety Pin                       | 86   | 56481515 | 1   | Lower Hinge   |
| 38   | 56482145 | 1   | Lower Right Rear Panel                  | 87   | 56482207 | 1   | Bracket   |
| 39   | 56025188 | 1   | Decal, Caution                          | 88   | 56386316 | 2   | Snap Cap  |
| 40   | 56482186 | 1   | Gauge Panel                             | 89   | 56482205 | 1   | Bracket   |
|      | 56025553 | 1   | Gauge Panel Decal                       | 90   | 56481487 | 1   | Keeper Latch  |
| 41   | 56477514 | 2   | Grommet                                 | 91   | 56321125 | 1   | Retaining Ring                                      |
| 42   | 56477580 | 2   | Safety Lock Pin                         | 92   | 56491155 | 1   | Latch Handle  |
|      | 56025120 | 2   | Safety Lock Decal                       | 93   | 56491143 | 1   | Latch   |
| 43   | 56481543 | 2   | Head Lamp Assembly                      | 94   | 56482206 | 1   | Bracket   |
| 44   | 56016543 | 1   | Decal, Advance                          | 95   | 56386314 | 2   | Leg Leveler   |
| 45   | 56024958 | 2   | Advance Emblem                          | 96   | 56481382 | 1   | Floor Plate   |
|      | 56025546 | 2   | Insert 5800                             | 97   | 56482637 | 1   | Choke Cable (G)                                     |
| 46   | 56481465 | 1   | Front Panel                             | 98   | 56482547 | 1   | Seat Mount <b>(after SN 1093583)</b>                |
| 47   | 56482199 | 1   | Chassis <b>(before SN 1093584)</b>      | 99   | 56482635 | 1   | Cover, Hose <b>(after SN 1093583)</b>               |
|      | 56482550 | 1   | Chassis <b>(after SN 1093583)</b>       | 100  | 56482308 | 1   | Throttle Cable Assy <b>(G / P)</b>                  |
| 48   | 56025549 | 1   | Decal, Control Panel                    |      | 56482309 | 1   | Throttle Cable Assy <b>(Diesel)</b>                 |
|      | 56482124 | 1   | Control Panel                           |      |          |     |   |
| 49   | 56025184 | 1   | Decal, Gas Fill                         |      |          |     |   |

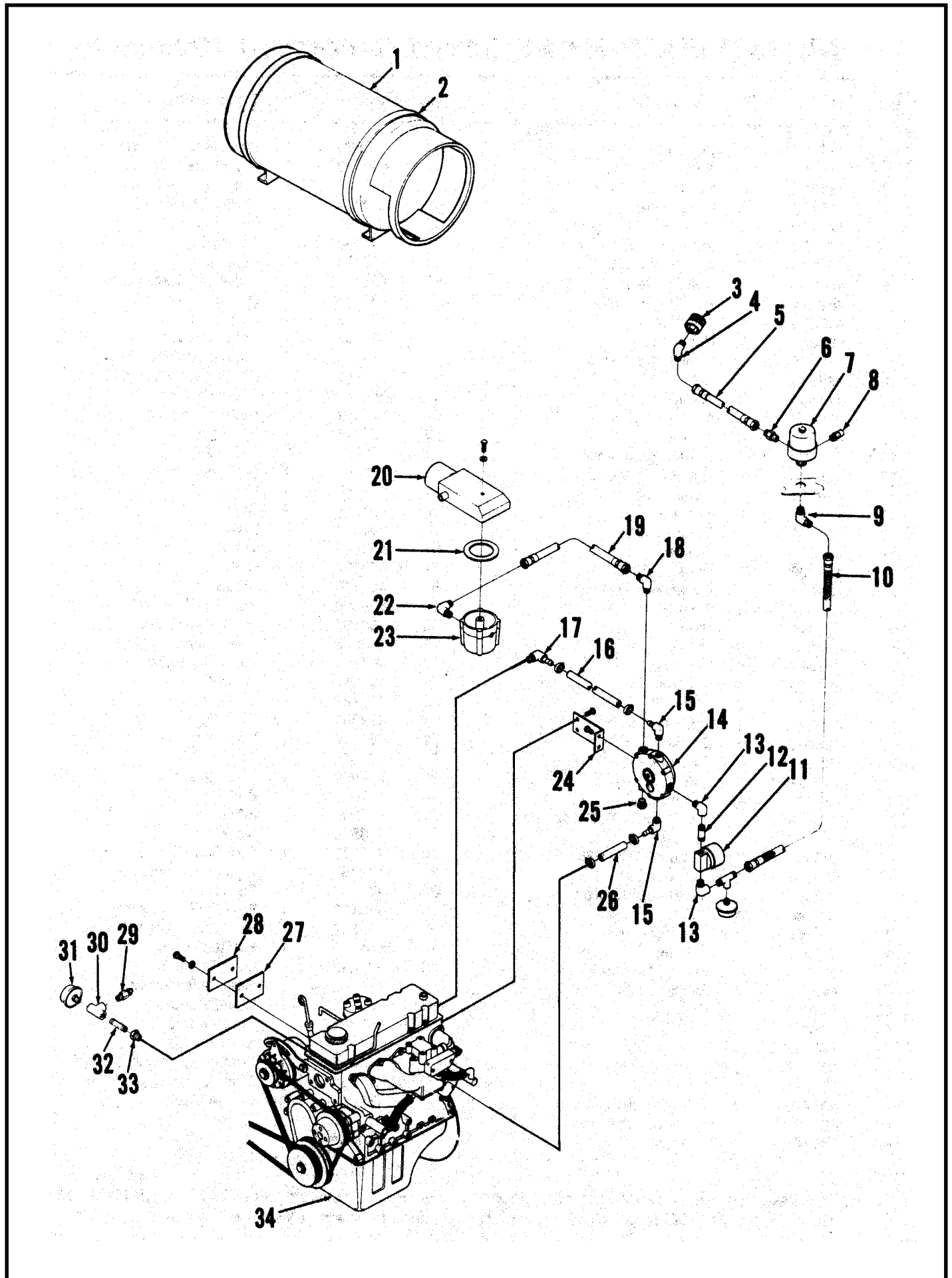


## NISSAN ENGINE ASSEMBLY (BEFORE SN 1093584)\*

| Item | Part No. | Qty | Description                     | Item | Part No. | Qty | Description                        |
|------|----------|-----|---------------------------------|------|----------|-----|------------------------------------|
| 1    | 56478461 | 1   | Service Indicator               | 50   | 56478698 | 1   | Oil Pressure Sender                |
| 2    | 56478488 | 1   | Air Cleaner Hose                | 51   | 56482073 | 1   | Right Engine Mount                 |
| 3    | 56751300 | 1   | Barb                            | *    | 56482074 | 1   | Left Engine Mount                  |
| 4    | 56478710 | 1   | Air Cleaner                     | 52   | 56480934 | 1   | Starter Shield                     |
|      | 56478720 | 1   | Outer Filter Element            | 53   | 56481731 | 1   | Fuel Pump                          |
|      | 56478722 | 1   | Inner Filter Element            | 54   | 56481888 | 1   | Temperature Sender                 |
| 5    | 56480650 | 2   | Mounting Band                   | 55   | 56456410 | 1   | Adapter                            |
| 6    | 56481575 | 1   | Voltage Regulator               | 56   | 56481737 | 1   | Distributor Cap Hitachi            |
| 7    | 56482191 | 1   | Air Cleaner Bracket             |      | 56481753 | 1   | Distributor Cap Mits.              |
| 8    | 56481579 | 1   | Resistor                        |      | 56481738 | 1   | Rotor Hitachi                      |
| 9    | 56496241 | 1   | Pump Assembly                   |      | 56481755 | 1   | Rotor Mitsubishi                   |
|      | 56479608 | 1   | Seal Kit for above              |      | 56481743 | 1   | Condenser Hitachi                  |
| 10   | 56492619 | 4   | Bolt                            |      | 56481761 | 1   | Condenser Mitsubishi               |
| 11   | 56441600 | 1   | Ground Cable                    |      | 56481741 | 1   | Set of Points                      |
| 12   |          | 6   | 1/2-13 x 4 Bolt                 | 57   | 56378291 | 1   | Key                                |
| 13   | 56480742 | 6   | Washer                          | 58   | 56480817 | 1   | Sprocket                           |
| 14   | 56482068 | 1   | Rear Engine Mount               | 59   | 56480826 | 1   | Sprocket                           |
| 15   | 56478685 | 6   | Rubber Mount                    | 60   | 56481687 | 1   | Bell Housing                       |
| 16   | 56480820 | 1   | Coupler Chain                   | 61   | 56481689 | 1   | Cover                              |
| 17   | 56481567 | 6   | Screw                           | 62   | 56481569 | 1   | Coil                               |
| 18   | 56481195 | 1   | Drive Adapter                   | 63   | 56456427 | 1   | Hose                               |
| 19   | 56456375 | 1   | Gasket                          | 64   | 56456435 | 1   | Tube                               |
| 20   | 56482086 | 1   | Exhaust Pipe                    | 65   | 56477522 | 1   | Barb                               |
| 21   | 56030072 | 1   | Decal, Warning Hot              | 66   | 56481116 | 1   | Screw                              |
| 22   | 56482087 | 1   | Floor Panel                     | 67   | 56209596 | 1   | Sealing Washer                     |
| 23   | 56481470 | 2   | Plate                           | 68   | 56456433 | 1   | Air Cleaner Hose                   |
| 24   | 56478726 | 2   | Mount                           | 69   | 56440213 | 2   | Hose Clamp                         |
| 25   | 56481468 | 2   | Nut Plate                       | 70   | 56492819 | 1   | Air Intake Elbow                   |
| 26   | 56480659 | 1   | Bracket                         | 71   | 56492617 | 1   | Gasket                             |
| 27   | 56343236 | 2   | Clamp                           | 72   | 56481729 | 1   | Carburetor                         |
| 28   | 56478711 | 1   | Muffler                         | 73   | 56492885 | 1   | Fuel Filter                        |
| 29   | 56480763 | 1   | Bracket                         | 74   | 56481727 | 1   | Fuel Line                          |
| 30   | 56482141 | 1   | Fan Spacer                      | 75   | 56481546 | 1   | Plug                               |
| 31   | 56482322 | 1   | Fan                             | 76   | 56219932 | 4   | Hose Clamp                         |
| 32   | 56457286 | 4   | Screw                           | 77   | 56477523 | 1   | Barb                               |
| 33   | 56482089 | 1   | Fan Shroud <b>TSB 586 - F14</b> | 78   | 56111295 | 1   | Elbow                              |
| 34   | 56488487 | 4   | Spacer                          | 79   | 56478514 | 1   | Neck                               |
| 35   | 56492607 | 1   | Radiator <b>TSB 586 - F14</b>   | 80   | 56478502 | 1   | Gas Cap                            |
| 36   | 56456431 | 1   | Radiator Cap                    | 81   | 56478358 | 1   | Fuel Level Sender                  |
| 37   | 56030080 | 1   | Decal, Hands Clear              | 82   | 56478467 | 1   | Fuel Tank                          |
| 38   | 56329145 | 4   | Clamp                           |      | 56478469 | 1   | Fuel Tank Assembly                 |
| 39   | 56480665 | 1   | Radiator Hose                   | 83   | 56482387 | 1   | Governor <b>TSB 429 - G7</b>       |
| 40   | 56481565 | 1   | Engine                          | 84   | 56481337 | 1   | Exhaust Tube                       |
|      | 56482135 | 1   | Engine Assembly                 | 85   | 56496242 | 1   | Gear Pump                          |
| 41   | 56745540 | 2   | Elbow                           |      | 56479540 | 1   | Seal Kit for above                 |
| 42   | 56744580 | 1   | Plug                            | 86   | 56481771 | 1   | Water Pump                         |
| 43   | 56492258 | 1   | Oil Filter                      | *    | 56481785 | 1   | Water Pump Gasket                  |
| 44   | 56478723 | 1   | Impeller Belt                   | *    | 56481577 | 1   | Starter                            |
| 45   | 56481287 | 1   | Radiator Hose                   | *    | 56482308 | 1   | Throttle Assembly (includes lever) |
| 46   | 56481751 | 1   | Gasket                          | *    | 56481162 | 1   | Throttle Cable for above           |
| 47   | 56481749 | 1   | Thermostat                      | *    | 56760210 | 1   | Choke Cable                        |
| 48   | 56481763 | 1   | Alternator Belt                 |      |          |     |                                    |
| 49   | 56481767 | 1   | Alternator                      |      |          |     |                                    |

\* = Not Shown

**\*NOTE:** The Nissan Engine assembly is being replaced by a Ford Engine assembly after SN 1093583. Refer to Revision Supplement Form No. 56042306 pages 1 & 2, for replacement parts for machines after this serial no.

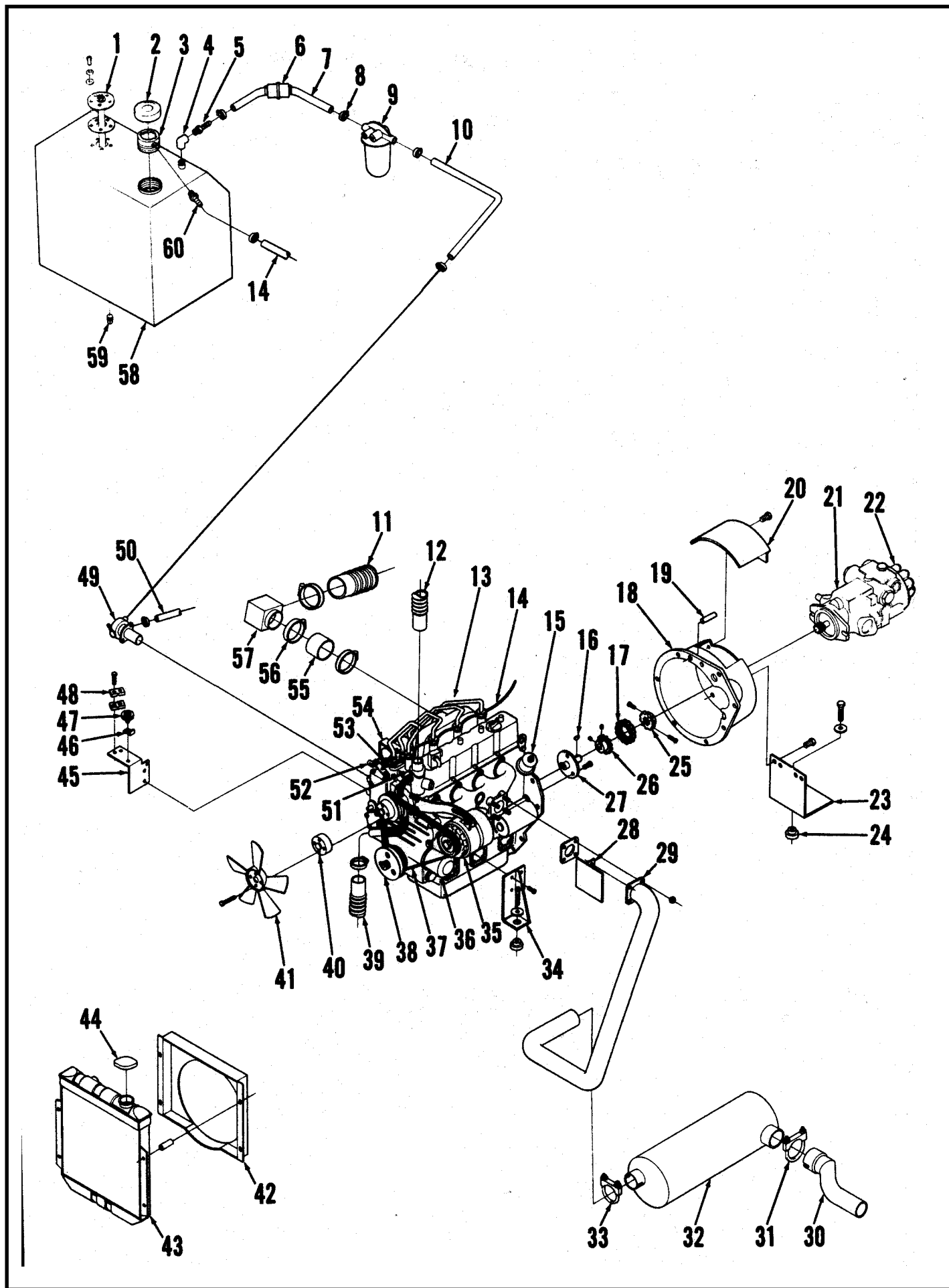


## LP SYSTEM (BEFORE SN 1093584)\*

| Item | Part No. | Qty | Description        |
|------|----------|-----|--------------------|
| 1    | 56456590 | 1   | Propane Tank       |
| 2    | 56481912 | 1   | Tank Bracket       |
| 3    | 56369675 | 1   | Coupler            |
| 4    | 56456598 | 1   | Elbow              |
| 5    | 56456593 | 1   | Hose               |
| 6    | 56456600 | 1   | Adapter            |
| 7    | 56456622 | 1   | Fuel Filter        |
| 8    | 56456624 | 1   | Vent               |
| 9    | 56456608 | 1   | Elbow              |
| 10   | 56456586 | 1   | Hose               |
| 11   | 56456626 | 1   | Fuel Lock-Off      |
| 12   | 56369624 | 1   | Nipple             |
| 13   | 56369632 | 2   | Elbow              |
| 14   | 56456628 | 1   | Regulator          |
| 15   | 56753691 | 2   | Elbow              |
| 16   | 56492143 | 1   | Hose               |
| 17   | 56753691 | 1   | Elbow              |
| 18   | 56456602 | 1   | Elbow              |
| 19   | 56456583 | 1   | Hose               |
| 20   | 56493090 | 1   | Air Intake         |
| 21   | 56493037 | 1   | Gasket             |
| 22   | 56456604 | 1   | Elbow              |
| 23   | 56493035 | 1   | Carburetor Kit     |
| 24   | 56482168 | 1   | Bracket            |
| 25   | 56456612 | 1   | Plug               |
| 26   | 56482169 | 1   | Hose               |
| 27   | 56456636 | 1   | Gasket             |
| 28   | 56456635 | 1   | Fuel Pump Cover    |
| 29   | 56478698 | 1   | Temperature Sender |
| 30   | 56752020 | 1   | Tee                |
| 31   | 56493146 | 1   | Pressure Switch    |
| 32   | 56757464 | 1   | Nipple             |
| 33   | 56456410 | 1   | Adapter            |
| 34   | 56482137 | 1   | LP Engine Assembly |

**\*NOTE:** The Nissan Engine assembly is being replaced by a Ford Engine assembly after SN 1093583. This engine change requires changes to the LP system also. Refer to Revision Supplement Form No. 56042306 pages 9 & 10, for replacement parts for machines after this serial no.

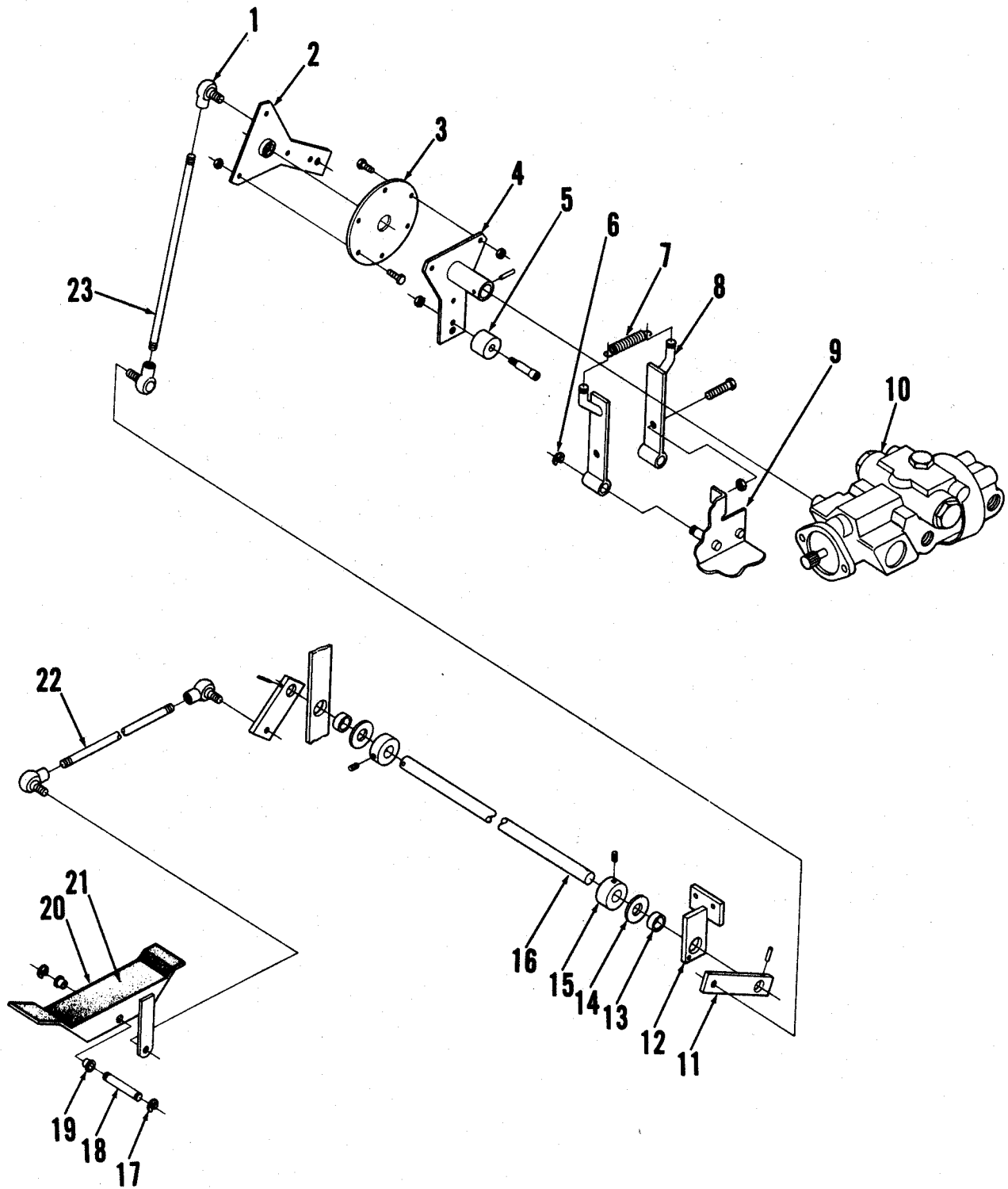




## DIESEL ENGINE (BEFORE SN 1156592)\*

| Item | Part No. | Qty | Description                        | Item | Part No. | Qty | Description        |
|------|----------|-----|------------------------------------|------|----------|-----|--------------------|
| 1    | 56478358 | 1   | Fuel Level Sender                  | 35   | 56492115 | 1   | Alternator         |
| 2    | 56478502 | 1   | Cap                                | 36   | 56492110 | 1   | Oil Filter         |
| 3    | 56481466 | 1   | Filler Cap                         | 37   | 56492124 | 1   | Belt               |
| 4    | 56111295 | 1   | Elbow                              | 38   | 56492953 | 1   | Crankshaft Pulley  |
| 5    | 56477523 | 1   | Barb                               | 39   | 56456304 | 1   | Radiator Hose      |
| 6    | 56480679 | 1   | Fuel Filter Assy (includes hoses)  | 40   | 56482096 | 1   | Fan Spacer         |
| 7    | 56492259 | 1   | Fuel Line                          | 41   | 56492133 | 1   | Fan                |
| 8    | 56756364 | 10  | Hose Clamp                         | 42   | 56482095 | 1   | Shroud             |
| 9    | 56492113 | 1   | Fuel Filter                        | 43   | 56478689 | 1   | Radiator           |
| *    | 56497756 | 1   | Fuel Filter Element (for 56492113) | 44   | 56456431 | 1   | Radiator Cap       |
| 10   | 56456414 | 1   | Fuel Line                          | 45   | 56492277 | 1   | Throttle Bracket   |
| 11   | 56456433 | 1   | Flex Hose <b>TSB 441 - G5</b>      | 46   | 56390778 | 1   | Guide              |
| 12   | 56482333 | 1   | Radiator Hose                      | 47   | 56159749 | 1   | Pulley             |
| 13   | 56492622 | 1   | Diesel Engine                      | 48   | 56469300 | 2   | Clamp              |
|      | 56482136 | 1   | Diesel Engine Assembly             | 49   | 56492112 | 1   | Fuel Pump          |
| 14   | 56481684 | 1   | Rubber Tube                        | 50   | 56492253 | 1   | Fuel Line          |
| 15   | 56478698 | 1   | Oil Pressure Sender                | 51   | 56481888 | 1   | Temperature Switch |
| 16   | 56378291 | 1   | Key                                | 52   | 56468524 | 1   | Clamp              |
| 17   | 56480820 | 1   | Coupler Chain                      | 53   | 56358560 | 1   | Spring             |
| 18   | 56493044 | 1   | Bell Housing                       | 54   | 56492276 | 1   | Bracket            |
| 19   | 56492262 | 1   | Dowel Pin                          | 55   | 56492278 | 1   | Adapter            |
| 20   | 56492944 | 1   | Cover                              | 56   | 56440213 | 2   | Hose Clamp         |
| 21   | 56496241 | 1   | Pump Assembly                      | 57   | 56492270 | 1   | Adapter            |
|      | 56479608 | 1   | Seal Kit for 496241                | 58   | 56478467 | 1   | Fuel Tank          |
| 22   | 56496242 | 1   | Gear Pump                          |      | 56481469 | 1   | Fuel Tank Assembly |
|      | 56479540 | 1   | Gear Pump Assembly                 | 59   | 56481546 | 1   | Plug               |
| 23   | 56482068 | 1   | Rear Engine Mount                  | 60   | 56369594 | 1   | Barb               |
| 24   | 56478685 | 3   | Rubber Mount                       |      |          |     |                    |
| 25   | 56480826 | 1   | Sprocket                           |      |          |     | * = Not Shown      |
| 26   | 56480817 | 1   | Sprocket                           |      |          |     |                    |
| 27   | 56492194 | 1   | Adapter                            |      |          |     |                    |
| 28   | 56492266 | 1   | Shield                             |      |          |     |                    |
| 29   | 56482111 | 1   | Exhaust Pipe                       |      |          |     |                    |
| 30   | 56481337 | 1   | Exhaust Tube                       |      |          |     |                    |
| 31   | 56478466 | 1   | Clamp                              |      |          |     |                    |
| 32   | 56478711 | 1   | Muffler                            |      |          |     |                    |
| 33   | 56343236 | 2   | Clamp                              |      |          |     |                    |
| 34   | 56482103 | 1   | Left Engine Mount                  |      |          |     |                    |
|      | 56482105 | 1   | Right Engine Mount                 |      |          |     |                    |

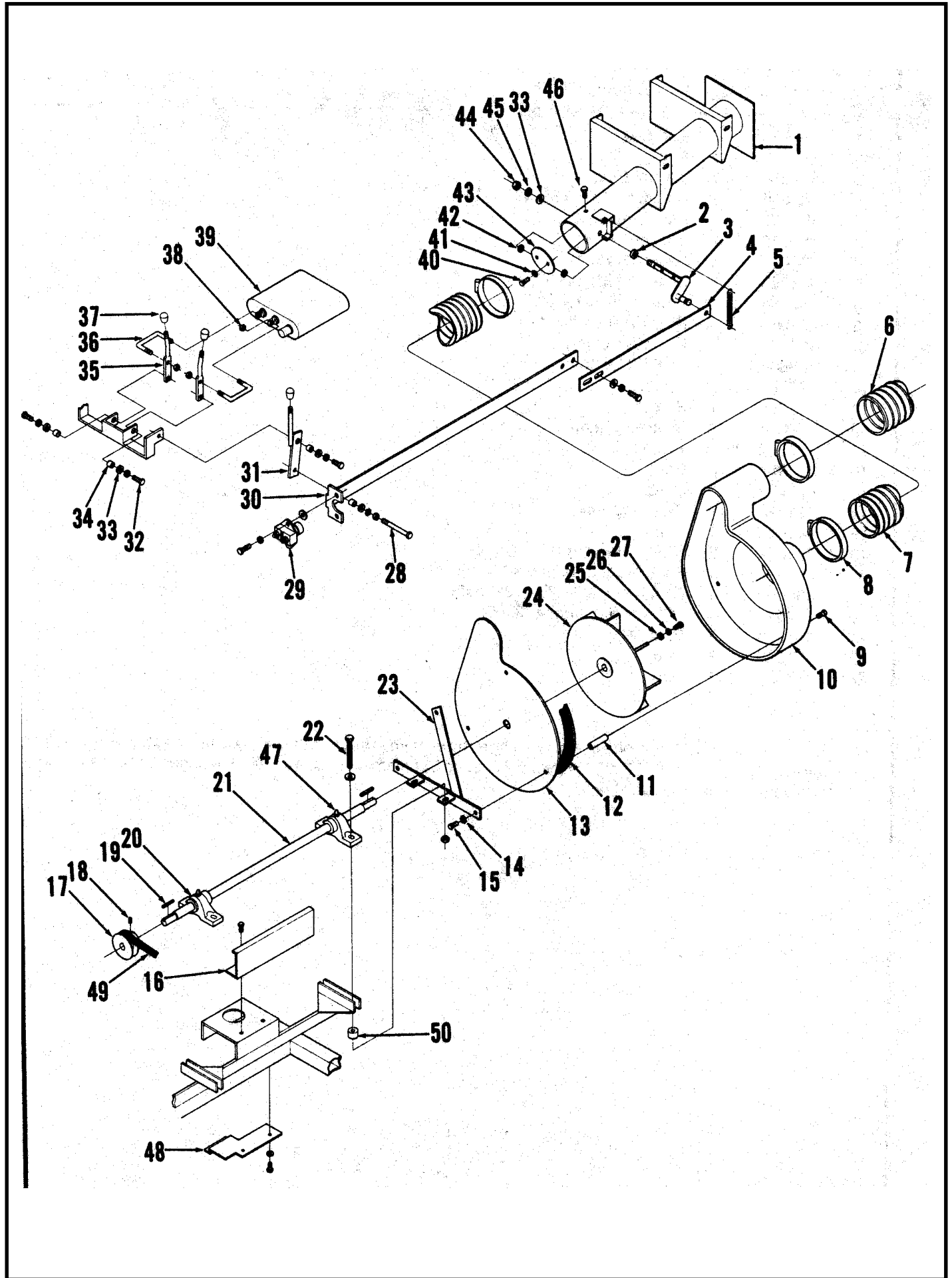
**\*NOTE:** The Kubota 4 Cylinder Diesel Engine Assembly is being replaced by a Kubota 3 Cylinder Diesel Engine Assembly after SN 1156591. Refer to Revision Supplement Form No. 56042306 pages 3 & 4, for replacement parts for machines after this serial no.



## ACCELERATOR LINKAGE (BEFORE SN 1093584)\*

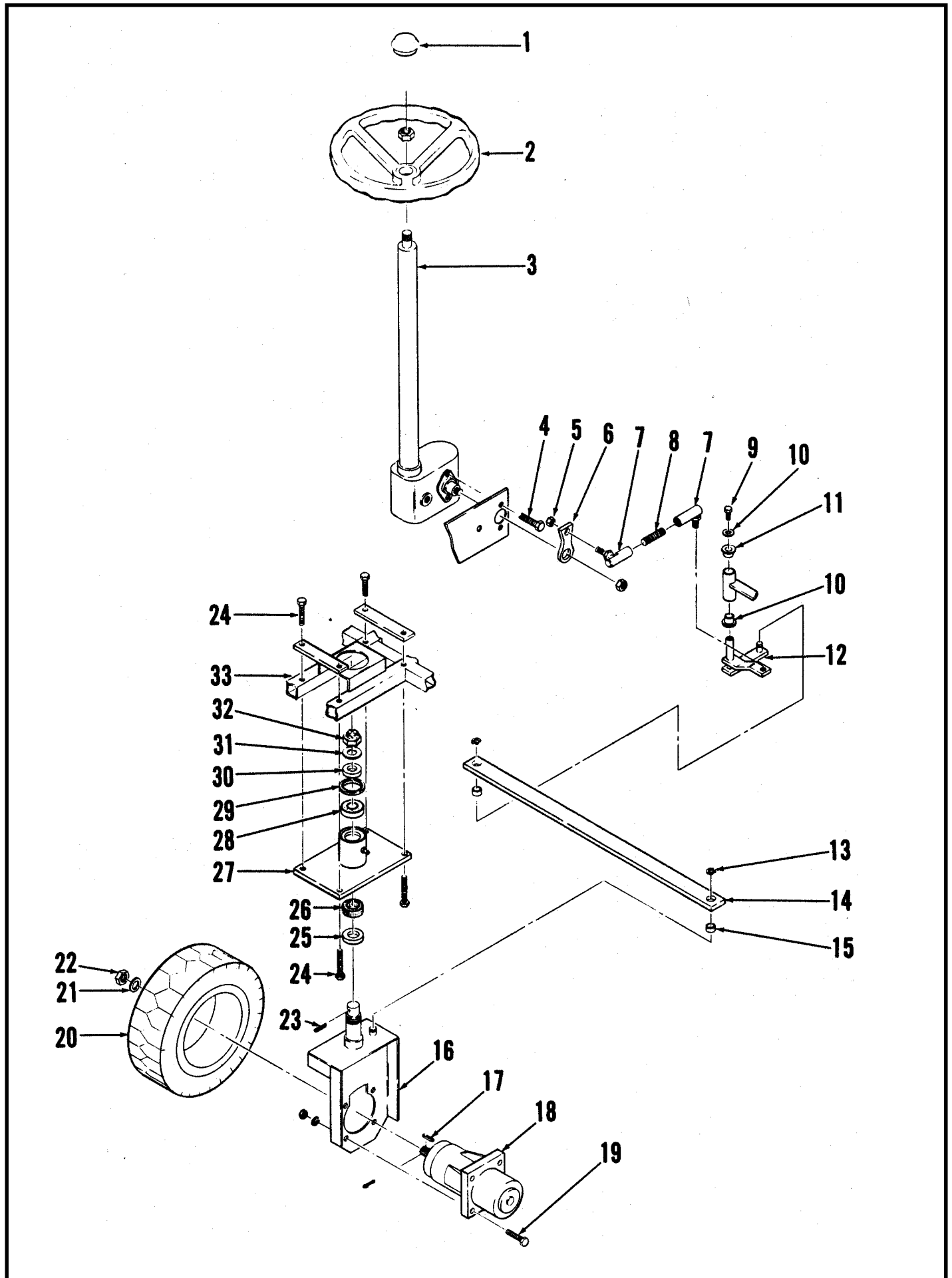
| Item | Part No. | Qty | Description                             |
|------|----------|-----|---|
| 1    | 56477756 | 4   | Rod End                                 |
| 2    | 56482067 | 1   | Arm                                     |
| 3    | 56482030 | 1   | Isolator Ring                           |
| 4    | 56482065 | 1   | Arm, Gas, LP <b>TSB 492 - G2</b>        |
|      | 56482066 | 1   | Arm, Diesel                             |
| 5    | 56482053 | 1   | Spacer                                  |
| 6    | 56321427 | 2   | Retaining Ring                          |
| 7    | 56365068 | 1   | Spring <b>TSB 501 - G1</b>              |
| 8    | 56482064 | 2   | Arm <b>TSB 501 - G1</b>                 |
| 9    | 56482068 | 1   | Rear Engine Mount                       |
| 10   | 56496241 | 1   | Pump Assembly                           |
|      | 56479608 | 1   | Seal Kit for above                      |
| 11   | 56477686 | 2   | Lever                                   |
| 12   | 56477659 | 1   | Bracket                                 |
| 13   | 56370878 | 2   | Sleeve Bearing                          |
| 14   | 56367192 | 2   | Washer                                  |
| 15   | 56367354 | 2   | Collar                                  |
| 16   | 56477671 | 1   | Shaft                                   |
| 17   | 56321125 | 2   | Retaining Ring                          |
| 18   | 56448050 | 1   | Pin                                     |
| 19   | 56206849 | 2   | Nyliner Bearing                         |
| 20   | 56481990 | 1   | Foot Pedal ( <b>before SN 1093584</b> ) |
|      | 56482505 | 1   | Foot Pedal ( <b>after SN 1093583</b> )  |
| *    | 56482542 | 1   | Clevis W/pin (for 56482505)             |
| 21   | 56449958 | 1   | Pedal Mat                               |
| 22   | 56481222 | 1   | Rod                                     |
| 23   | 56482090 | 1   | Rod                                     |

**\*NOTE:** All the linkage shown here is being replaced by a single cable, arm and a device called a Hydro-Back after SN 1093583. Refer to Revision Supplement Form No. 56042306 pages 5 & 6, for replacement parts for machines after this serial no.



## IMPELLER ASSEMBLY

| Item | Part No. | Qty | Description   |
|------|----------|-----|---|
| 1    | 56482211 | 1   | Adapter   |
| 2    | 56232181 | 1   | Bushing   |
| 3    | 56482224 | 1   | Shaft   |
| 4    | 56477998 | 1   | Strap   |
| 5    | 56365068 | 1   | Spring  |
| 6    | 56482319 | 1   | Flex Hose   |
| 7    | 56487488 | 1   | Flex Hose   |
| 8    | 56352829 | 4   | Hose Clamp  |
| 9    | 56002035 | 3   | Screw   |
| 10   | 56482217 | 1   | Shroud  |
| 11   | 56478762 | 3   | Spacer  |
| 12   | 56209434 | 1   | Gasket  |
| 13   | 56482321 | 1   | Plate   |
| 14   | 56001803 | 6   | Washer  |
| 15   | 56002037 | 3   | Screw   |
| 16   | 56481492 | 1   | Shaft Guard   |
| 17   | 56482138 | 1   | Sheave  |
| 18   | 56002021 | 1   | Set Screw   |
| 19   | 56158135 | 2   | Key   |
| 20   | 56494506 | 2   | Pillow Block <b>TSB 639, F-11</b>                         |
| 21   | 56482088 | 1   | Shaft   |
| 22   |          | 4   | 3/8-16 x 2-1/2 Bolt                                       |
| 23   | 56481490 | 1   | Bracket   |
| 24   | 56478668 | 1   | Impeller  |
| 25   | 56358958 | 1   | Washer  |
| 26   | 56002023 | 1   | Lock Washer   |
| 27   | 56001862 | 1   | Screw   |
| 28   |          | 1   | Bolt  |
| 29   | 56441555 | 1   | Switch  |
| 30   | 56478002 | 1   | Linkage Arm   |
| 31   | 56477993 | 1   | Lever   |
| 32   |          | 8   | 1/4-20 x 1/2 Screw  |
| 33   | 56163767 | 5   | Spring Washer   |
| 34   | 56379298 | 8   | Bushing   |
| 35   | 56477983 | 2   | Lever   |
| 36   | 56477988 | 2   | Linkage   |
| 37   | 56378534 | 3   | Knob  |
| 38   | 56002349 | 4   | Nut   |
| 39   | 56482034 | 1   | Control Valve   |
| 40   | 56002143 | 2   | Screw   |
| 41   | 56002051 | 2   | Washer  |
| 42   | 56329098 | 2   | Bearing   |
| 43   | 56469208 | 1   | Air Vent Plate  |
| 44   | 56481708 | 1   | Nut   |
| 45   | 56002063 | 1   | Washer  |
| 46   | 56002503 | 1   | Screw   |
| 47   | 56101737 | 2   | Grease Fitting  |
| 48   | 56482172 | 1   | Shield  |
| 49   | 56482332 | 1   | Impeller Belt, Diesel Engine                              |
|      | 56478723 | 1   | Impeller Belt, Gas, LP Engine ( <b>before SN1093584</b> ) |
|      | 56458683 | 1   | Impeller Belt, Gas, LP Engine ( <b>after SN1093583</b> )  |
| 50   | 56482405 | 4   | Bushing   |

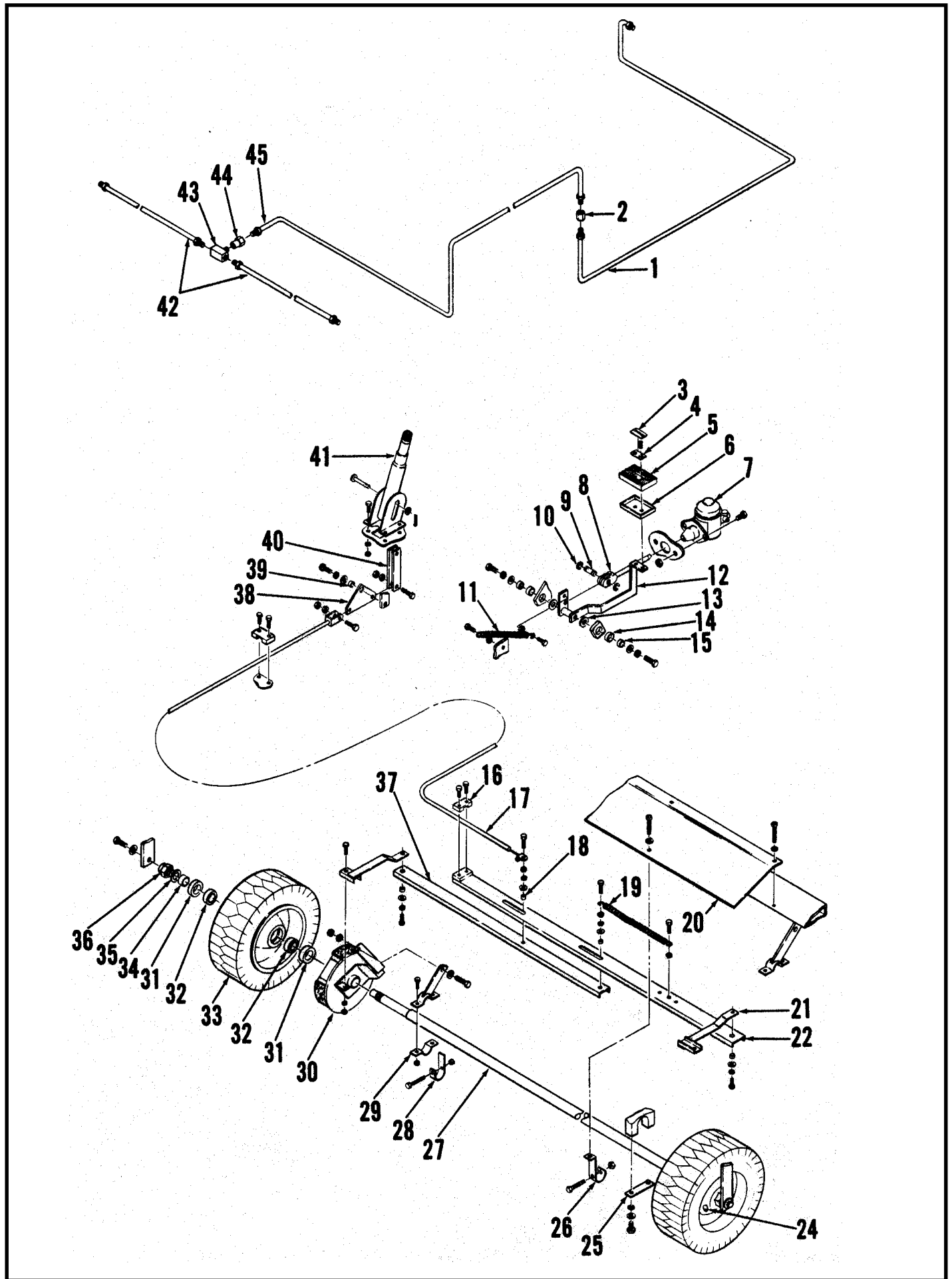


## FRONT WHEEL ASSEMBLY (BEFORE SN 1093584)\*

| Item | Part No. | Qty | Description                         |
|------|----------|-----|-------------------------------------|
| 1    | 56449774 | 1   | Steering Wheel Cap                  |
| 2    | 56477770 | 1   | Steering Wheel <b>TSB 649, F-10</b> |
| 3    | 56477767 | 1   | Steering Gear                       |
| 4    |          | 3   | 7/16-14 x 1 Screw                   |
| 5    |          | 1   | 1/2-20 Hex Nut                      |
| 6    | 56477806 | 1   | Steering Arm                        |
| 7    | 56477813 | 2   | Ball Joint                          |
| 8    | 56477808 | 1   | Stud                                |
| 9    |          | 1   | 5/16-18 x 3/4 Screw                 |
| 10   | 56358959 | 1   | Washer                              |
| 11   | 56250414 | 2   | Bushing                             |
| 12   | 56477794 | 1   | Steering Crank                      |
| 13   | 56478775 | 2   | Retaining Ring                      |
| 14   | 56477804 | 1   | Steering Linkage                    |
| 15   | 56491636 | 2   | Sleeve Bearing                      |
| 16   | 56477746 | 1   | Spindle                             |
| 17   | 56344362 | 1   | Fitting                             |
| 18   | 56456902 | 1   | Drive Motor                         |
|      | 56456972 | 1   | Seal Kit (for 56456902)             |
| 19   | 56477795 | 4   | 1/2-13 x 2 Screw                    |
| 20   | 56477749 | 1   | Front Wheel Assembly                |
|      | 56477777 | 1   | Tire Assembly.                      |
|      | 56455310 | 1   | Front Tire                          |
|      | 56477775 | 1   | Hub                                 |
| 21   | 56101656 | 1   | Washer                              |
| 22   |          | 1   | Slotted Nut                         |
| 23   |          | 2   | Cotter Pin                          |
| 24   |          | 4   | 5/8-11 x 3 Screw                    |
| 25   | 56477783 | 1   | Shaft Seal                          |
| 26   | 56744474 | 1   | Bearing Cup                         |
|      | 56744471 | 1   | Bearing Cone                        |
| 27   | 56477803 | 1   | Housing                             |
| 28   | 56158143 | 1   | Bearing Cup                         |
|      | 56158151 | 1   | Bearing Cone                        |
| 29   | 56171081 | 1   | Shaft Seal                          |
| 30   | 56477781 | 1   | Bushing                             |
| 31   |          | 1   | Washer                              |
| 32   | 56110817 | 1   | Nut                                 |
| 33   | 56477802 | 2   | Nut Plate                           |

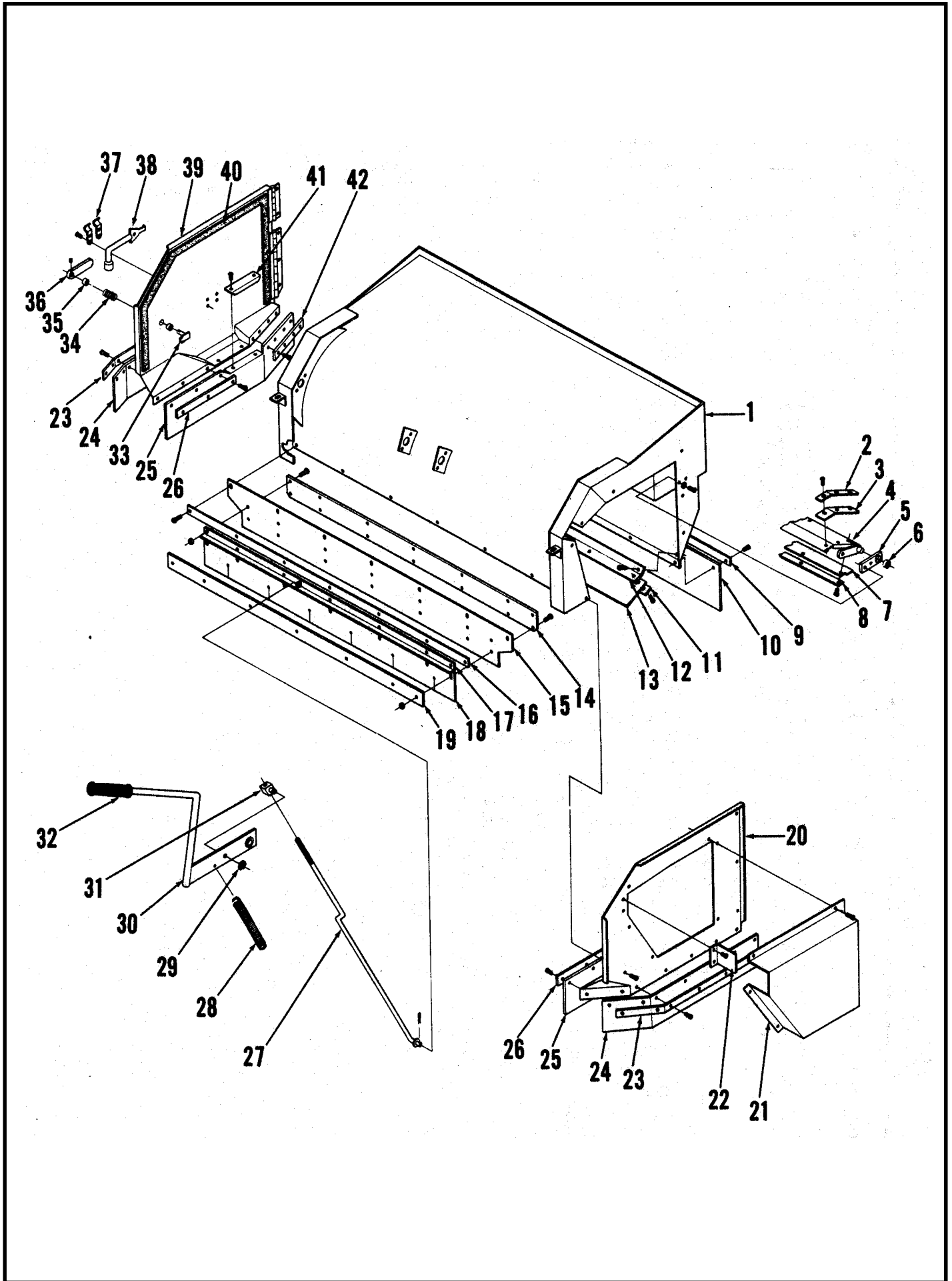
**\*NOTE:** The steering system is being replaced by a power steering system after SN 1093583. Refer to Revision Supplement Form No. 56042306 pages 7 & 8, for replacement parts for machines after this serial no.





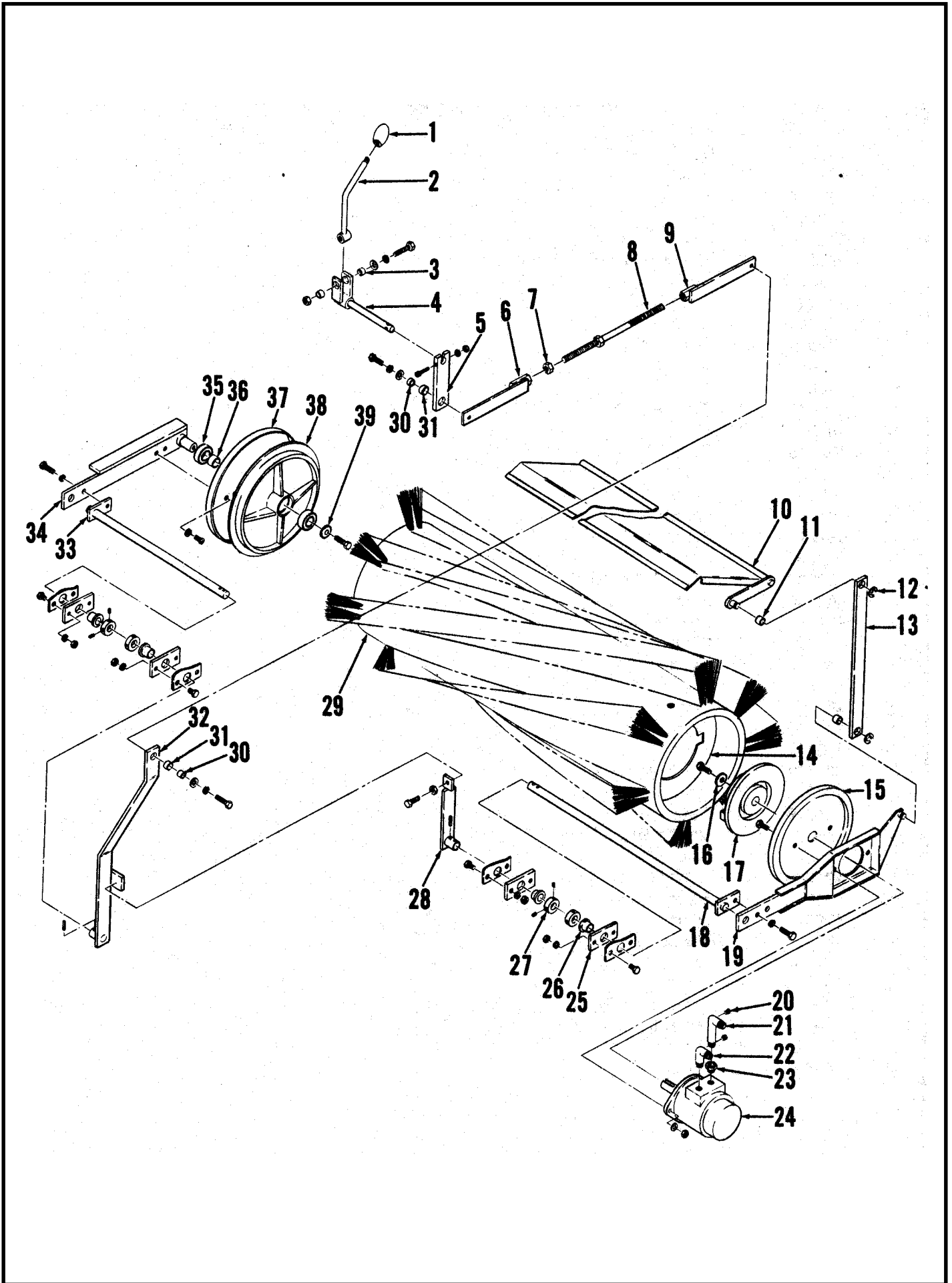
## REAR WHEELS

| Item | Part No. | Qty | Description               |
|------|----------|-----|---------------------------|
| 1    | 56481450 | 1   | Brake Line                |
| 2    | 56477837 | 1   | Connector                 |
| 3    | 56025122 | 1   | Brake Decal               |
| 4    | 56365081 | 1   | Plate                     |
| 5    | 56365086 | 1   | Pedal                     |
| 6    | 56365087 | 1   | Cap                       |
| 7    | 56477828 | 1   | Master Cylinder           |
| 8    | 56477909 | 1   | Rod                       |
| 9    | 56477902 | 1   | Pin                       |
| 10   | 56321427 | 2   | Retaining Ring            |
| 11   | 56488112 | 1   | Spring                    |
| 12   | 56481336 | 1   | Brake Lever               |
| 13   | 56367192 | 2   | Washer                    |
| 14   | 56367168 | 2   | Bearing                   |
| 15   | 56367206 | 2   | Bushing                   |
| 16   | 56477884 | 2   | Clamp                     |
| 17   | 56477829 | 1   | Cable Assembly            |
| 18   | 56379298 | 4   | Bushing                   |
| 19   | 56370355 | 1   | Spring                    |
| 20   | 56479325 | 1   | Shield                    |
| 21   | 56477914 | 2   | Lever                     |
| 22   | 56477917 | 1   | Linkage                   |
| 23   |          |     | intentionally omitted     |
| 24   | 56344362 | 2   | Grease Fitting            |
| 25   | 56477576 | 2   | Plate                     |
| 26   | 56479327 | 2   | Strap                     |
| 27   | 56477727 | 1   | Axle                      |
| 28   | 56477905 | 2   | Stop                      |
| 29   | 56478195 | 2   | Strap                     |
| 30   | 56477930 | 1   | Left Brake Shoe Assembly  |
|      | 56477931 | 1   | Right Brake Shoe Assembly |
| 31   | 56477724 | 4   | Seal                      |
| 32   | 56378259 | 4   | Bearing Cap               |
|      | 56378267 | 4   | Bearing Cone              |
| 33   | 56477743 | 2   | Tire Assembly             |
|      | 56448145 | 1   | Tire                      |
|      | 56477716 | 1   | Hub                       |
| 34   | 56477729 | 2   | Spacer                    |
| 35   | 56101656 | 2   | Washer                    |
| 36   | 56101265 | 2   | Castle Nut                |
| 37   | 56477904 | 1   | Channel                   |
| 38   | 56477906 | 1   | Lever                     |
| 39   | 56385356 | 1   | Bushing                   |
| 40   | 56477903 | 2   | Strap                     |
| 41   | 56448200 | 1   | Brake Lever Assembly      |
| 42   | 56477834 | 2   | Hose Assembly             |
| 43   | 56477832 | 1   | Tee                       |
| 44   | 56477831 | 1   | Connector                 |
| 45   | 56480374 | 1   | Tube Assembly             |



## BROOM HOUSING

| Item | Part No. | Qty | Description            |
|------|----------|-----|------------------------|
| 1    | 56482263 | 1   | Broom Housing          |
|      | 56482272 | 1   | Broom Housing Assembly |
| 2    | 56491724 | 2   | Strap                  |
| 3    | 56491674 | 2   | Blade                  |
| 4    | 56479237 | 1   | Plate                  |
| 5    | 56479267 | 2   | Pillow Block           |
| 6    | 56370878 | 2   | Sleeve Bearing         |
| 7    | 56479320 | 1   | Guard                  |
| 8    | 56479291 | 1   | Strap                  |
| 9    | 56479285 | 1   | Strap                  |
| 10   | 56482046 | 1   | Rear Skirt             |
| 11   | 56482628 | 1   | Strap                  |
| 12   | 56482624 | 1   | Bracket                |
| 13   | 56482632 | 1   | Rear Skirt             |
| 14   | 56482270 | 1   | Strap                  |
| 15   | 56482045 | 1   | Front Skirt            |
| 16   | 56482268 | 1   | Strap                  |
| 17   | 56482264 | 1   | Angle                  |
| 18   | 56482047 | 1   | Front Skirt            |
| 19   | 56482271 | 1   | Strap                  |
| 20   | 56482230 | 1   | Panel                  |
|      | 56482238 | 1   | Panel Assembly         |
| 21   | 56482240 | 1   | Panel                  |
| 22   | 56482241 | 1   | Bracket                |
| 23   | 56489120 | 2   | Strap                  |
| 24   | 56491784 | 2   | Outer Skirt            |
| 25   | 56482634 | 2   | Inner Skirt            |
| 26   | 56486646 | 2   | Strap                  |
| 27   | 56482219 | 1   | Rod                    |
| 28   | 56448119 | 1   | Spring                 |
| 29   | 56373797 | 1   | Retaining Ring         |
| 30   | 56482274 | 1   | Lever                  |
| 31   | 56491716 | 1   | Swivel                 |
| 32   | 56151270 | 1   | Handle Grip            |
| 33   | 56479377 | 1   | Latch                  |
| 34   | 56491900 | 1   | Spring                 |
| 35   | 56491658 | 2   | Sleeve Bearing         |
| 36   | 56479371 | 1   | Handle                 |
| 37   | 56477620 | 2   | Clamp                  |
| 38   | 56477598 | 1   | Tool                   |
| 39   | 56482234 | 1   | Door                   |
|      | 56482239 | 1   | Door Assembly          |
| 40   | 56479854 | 2   | Gasket                 |
| 41   | 56482626 | 2   | Strap                  |
| 42   | 56482630 | 2   | Strap                  |

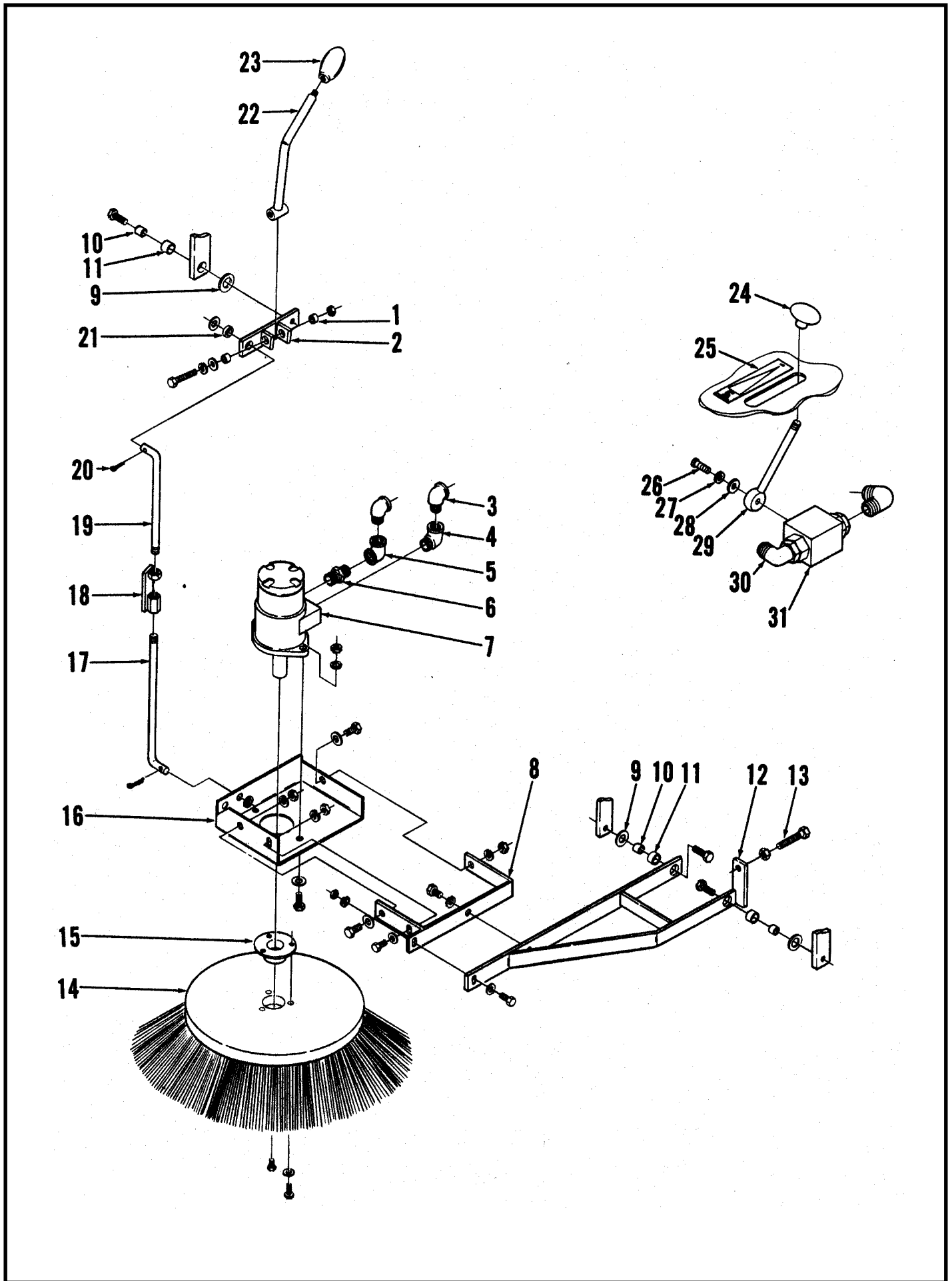


## MAIN BROOM ASSEMBLY

| Item | Part No. | Qty | Description                         | Item | Part No. | Qty | Description                   |
|------|----------|-----|-------------------------------------|------|----------|-----|-------------------------------|
| 1    | 56364527 | 1   | Knob                                | 28   | 56479459 | 1   | Lever                         |
| 2    | 56479492 | 1   | Handle                              |      | 56002583 | 2   | Pin, Spring 5/16 x 1.75       |
| 3    | 56320595 | 2   | Bushing                             |      | 56002613 | 2   | Pin, Spring 3/16 x 1.75       |
| 4    | 56479468 | 1   | Crank                               | 29   | 56477734 | 1   | Main Broom, Medium Fill       |
| 5    | 56479516 | 1   | Lever                               |      | 56477742 | 1   | Main Broom, Hvy Dty Med Fill  |
| 6    | 56479507 | 1   | Right Hands Yoke                    |      | 56477738 | 1   | Main Broom, Full Fill         |
| 7    | 56001891 | 2   | Nut                                 |      | 56477745 | 1   | Main Broom, Hvy Dty Full Fill |
| 8    | 56479525 | 1   | Turnbuckle                          |      | 56477748 | 1   | Main Broom, Wire Mix          |
| 9    | 56479501 | 1   | Left Hands Yoke                     |      | 56477750 | 1   | Main Broom, Wire              |
| 10   | 56479237 | 1   | Plate                               | 30   | 56360627 | 2   | Spacer Bushing                |
| 11   | 56478781 | 2   | Sleeve Bearing (old style)          | 31   | 56370878 | 2   | Sleeve Bearing                |
|      | 56491656 | 2   | Sleeve Bearing (new style, 1992)    | 32   | 56479450 | 1   | Broom Lever                   |
| 12   | 56478775 | 2   | Retaining Ring                      |      | 56002583 | 2   | Pin, Spring 5/16 x 1.75       |
| 13   | 56479519 | 1   | Linkage                             |      | 56002613 | 2   | Pin, Spring 3/16 x 1.75       |
| 14   | 56477736 | 1   | Broom Insert                        | 33   | 56479483 | 1   | Right Shaft Lever             |
| 15   | 56479442 | 1   | String Guard                        | 34   | 56479438 | 1   | Right Arm                     |
| 16   | 56159387 | 1   | Washer                              |      | 56479428 | 1   | Idler Arm Assembly            |
| 17   | 56477762 | 1   | Driver Hub                          | 35   | 56479430 | 2   | Ball Bearing                  |
| 18   | 56479477 | 1   | Left Lever                          | 36   | 56479434 | 1   | Spacer                        |
| 19   | 56479533 | 1   | Left Arm                            | 37   | 56479439 | 1   | String Guard                  |
|      | 56482275 | 1   | Broom Arm Assembly                  | 38   | 56477760 | 1   | Idler Hub                     |
| 20   | 56481546 | 2   | Plug                                | 39   | 56358959 | 1   | Washer                        |
| 21   | 56482140 | 1   | Elbow                               |      |          |     |                               |
| 22   | 56456989 | 1   | Elbow                               |      |          |     |                               |
| 23   | 56900560 | 1   | Connector                           |      |          |     |                               |
| 24   | 56479606 | 1   | Main Broom Motor                    |      |          |     |                               |
|      | 56479575 | 1   | Broom Motor Seal Kit <b>NOTE #1</b> |      |          |     |                               |
|      | 56479577 | 1   | Broom Motor Seal Kit <b>NOTE #2</b> |      |          |     |                               |
| 25   | 56479273 | 4   | Pillow Block                        |      |          |     |                               |
| 26   | 56444944 | 4   | Flanged Bearing                     |      |          |     |                               |
| 27   | 56440820 | 4   | Locking Collar                      |      |          |     |                               |

**NOTE #1:** PN 56479575 broom motor seal kit used on motors with data plate PN's ending with (007).

**NOTE #2:** PN 56479577 broom motor seal kit used on motors with data plate PN's ending with (008 & 009)

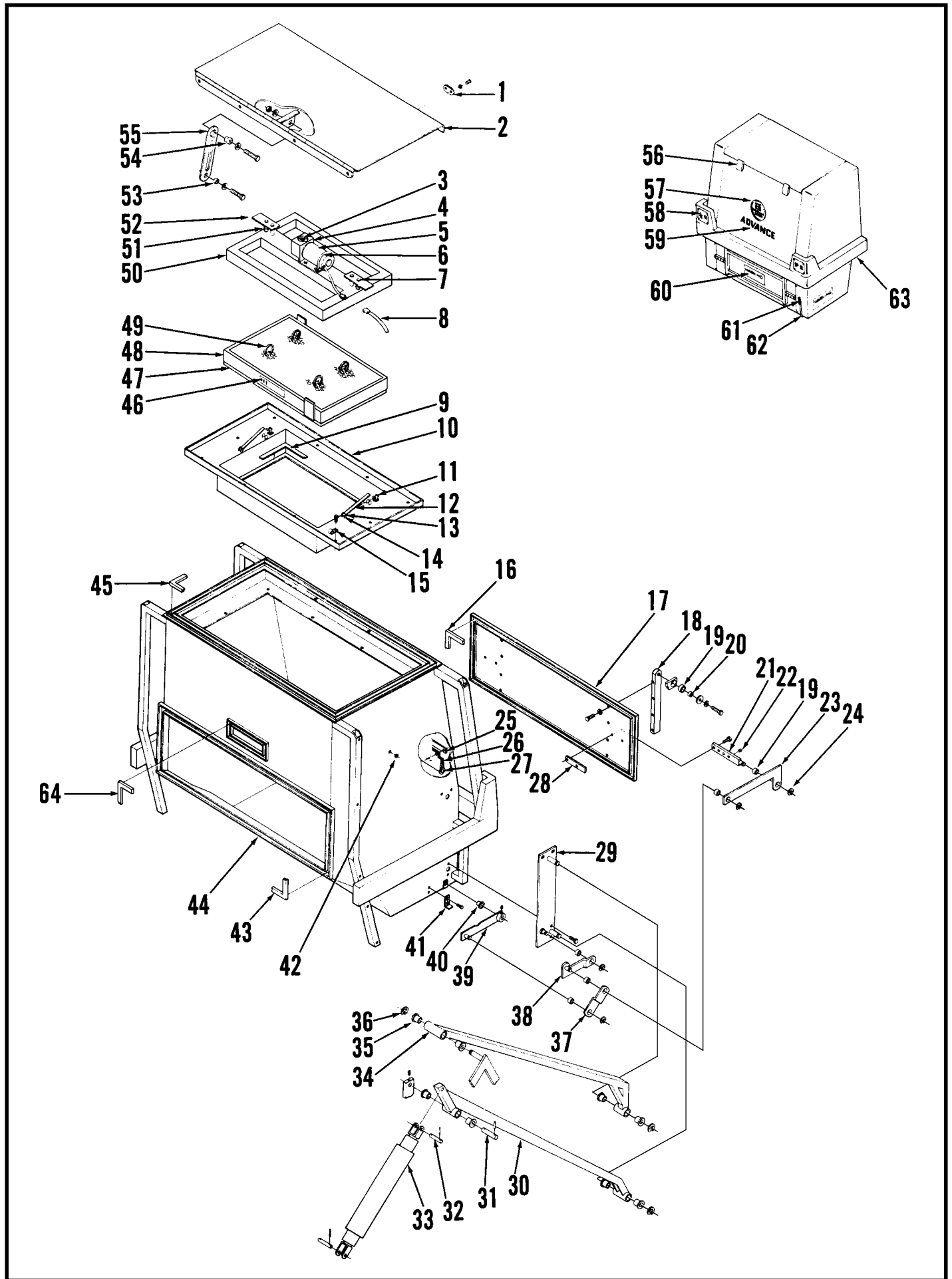


## SIDE BROOM ASSEMBLY

| Item | Part No. | Qty | Description                        |
|------|----------|-----|------------------------------------|
| 1    | 56320595 | 2   | Bushing                            |
| 2    | 56479936 | 1   | Lever Bracket                      |
| 3    | 56900542 | 2   | Elbow                              |
| 4    | 56479690 | 1   | Elbow                              |
| 5    | 56479771 | 1   | Elbow                              |
| 6    | 56479769 | 1   | Nipple                             |
| 7    | 56479609 | 1   | Side Broom Motor                   |
|      | 56479575 | 1   | Broom Motor Seal Kit               |
| 8    | 56479903 | 1   | Motor Bracket                      |
| 9    | 56367192 | 3   | Washer                             |
| 10   | 56267206 | 3   | Bushing                            |
| 11   | 56367168 | 3   | Bearing                            |
| 12   | 56479867 | 1   | Arm Bracket                        |
| 13   | 56479513 | 1   | Adjusting Screw                    |
| 14   | 56477812 | 1   | Side Broom                         |
|      | 56479950 | 1   | Side Broom Assembly <b>NOTE #1</b> |
| 15   | 56479948 | 1   | Hub                                |
| 16   | 56479945 | 1   | Motor Base                         |
| 17   | 56481709 | 1   | Right Hand Rod                     |
| 18   | 56481705 | 1   | Turnbuckle                         |
| 19   | 56481711 | 1   | Left Hand Rod                      |
| 20   | 56477583 | 2   | Cotter Pin                         |
| 21   | 56481456 | 1   | Bushing                            |
| 22   | 56479927 | 1   | Lever                              |
| 23   | 56364527 | 1   | Knob                               |
| 24   | 56493909 | 1   | Knob                               |
| 25   | 56025559 | 1   | Decal, Side Broom                  |
| 26   | 56002147 | 1   | Screw                              |
| 27   | 56001981 | 1   | Washer                             |
| 28   | 56001954 | 1   | Washer                             |
| 29   | 56493228 | 1   | Lever                              |
| 30   | 56900104 | 2   | Elbow                              |
| 31   | 56496273 | 1   | Valve                              |

**NOTE #1:** Side broom PN 56477812 does not come with the side broom assembly.

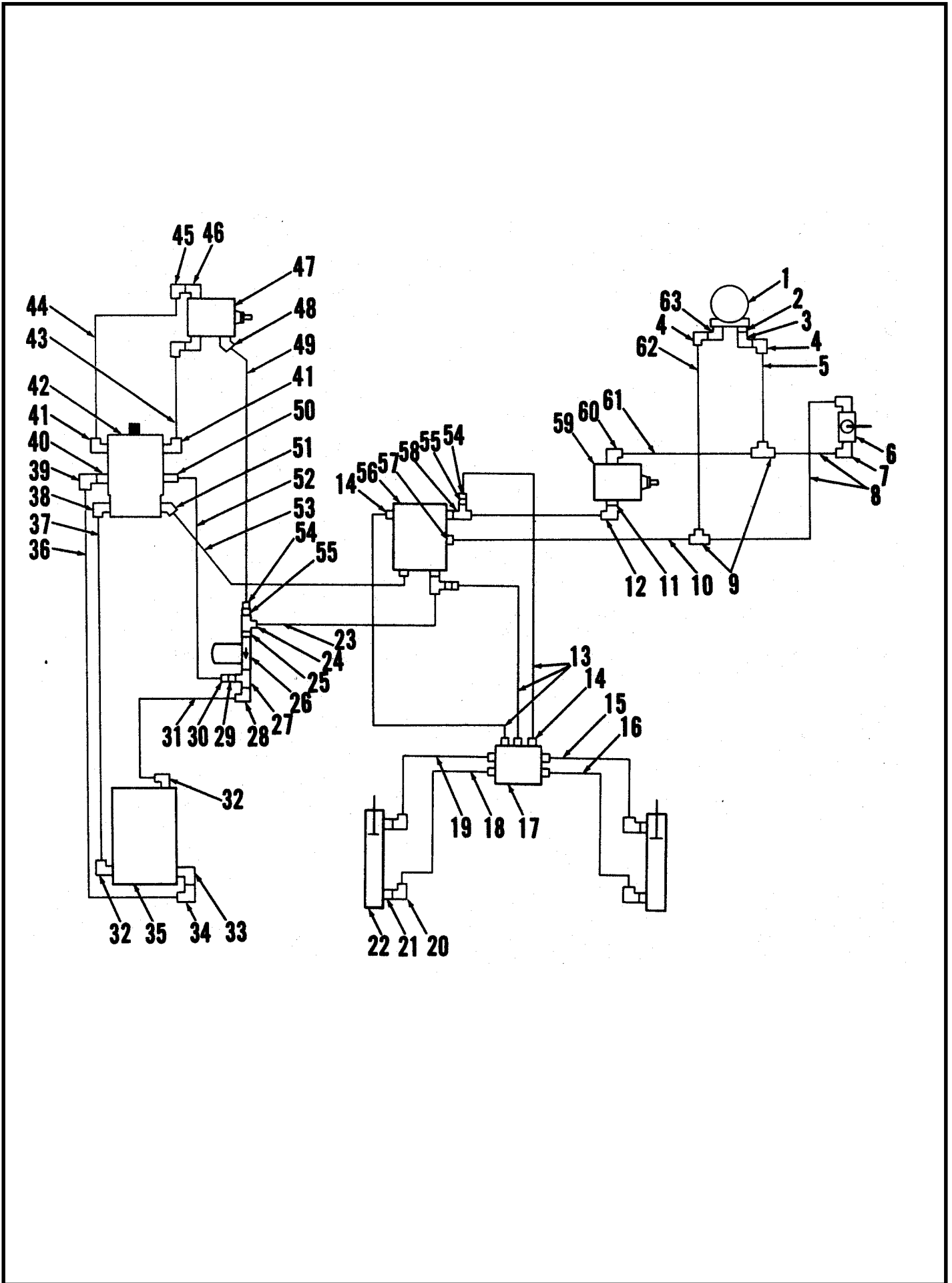




## HOPPER ASSEMBLY

| Item | Part No. | Qty | Description                     | Item          | Part No. | Qty | Description                         |
|------|----------|-----|---------------------------------|---------------|----------|-----|-------------------------------------|
| 1    | 56342564 | 2   | Plate                           | 39            | 56482249 | 1   | Left Lever                          |
| 2    | 56482431 | 1   | Hopper Cover                    |               | 56482248 | 1   | Right Lever                         |
| 3    | 56030080 | 1   | Decal, Hands Clear              | 40            | 56250414 | 2   | Flange Bushing                      |
| 4    | 56468331 | 1   | Motor Mount                     | 41            | 56478976 | 2   | Latch Stop                          |
| 5    | 56491820 | 1   | Motor                           | 42            | 56321559 | 1   | Grommet                             |
| *    | 56491823 | 1   | Carbon Brush Kit (for 56491820) | 43            | 56490110 | 2   | Gasket                              |
| *    | 56491822 | 1   | Eccentric                       | 44            | 56482295 | 1   | Hopper ( <b>before SN 1093584</b> ) |
| 6    | 56468329 | 1   | U-Bolt                          |               | 56482509 | 1   | Hopper ( <b>after SN 1093583</b> )  |
| 7    | 56491872 | 4   | Shoulder Bolt                   | *             | 56497794 | 1   | Screen ( <b>after SN 1093583</b> )  |
| 8    | 56482324 | 1   | Cord Assembly                   |               | 56482144 | 1   | Hopper Assy                         |
| 9    | 56490114 | 1   | Gasket                          |               |          |     | ( <b>before SN 1093584</b> )        |
| 10   | 56482301 | 1   | Filter Housing                  |               | 56482571 | 1   | Hopper Assy                         |
| 11   | 56491860 | 2   | Clamp                           |               |          |     | ( <b>after SN 1093583</b> )         |
| 12   | 56491848 | 2   | Lever                           | 45            | 56490112 |     | Gasket                              |
| 13   | 56491826 | 2   | Pin                             | 46            | 56023320 | 2   | Decal Filter                        |
| 14   | 56321125 | 4   | Retaining Ring                  | 47            | 56482120 | 1   | Gasket                              |
| 15   | 56300152 | 2   | Cable Clamp                     | 48            | 56482305 | 1   | Filter Panel Assembly               |
| 16   | 56449227 | 1   | Gasket                          | 49            | 56478246 | 4   | Cable Tie                           |
| 17   | 56482285 | 1   | Hopper Door (after 1986)        | 50            | 56482102 | 1   | Hold Down                           |
|      | 56481905 | 1   | Hopper Door (before 1987)       |               | 56482306 | 1   | Hold Down Assembly                  |
|      | 56482284 | 1   | Hopper Door Assy (after 1986)   | 51            | 56171177 | 2   | Spring                              |
|      | 56481901 | 1   | Hopper Door Assy (before 1987)  | 52            | 56489109 | 2   | Bracket                             |
| 18   | 56482288 | 2   | Hinge Plate (after 1986)        | 53            | 56206784 | 1   | Bushing                             |
|      | 56481903 | 2   | Hinge Plate (before 1987)       | 54            | 56384708 | 1   | Step Bushing                        |
| 19   | 56370878 | 12  | Sleeve Bearing                  | 55            | 56449262 | 1   | Latch                               |
| 20   | 56360627 | 2   | Bushing                         | 56            | 56471194 | 2   | Latch Assembly                      |
| 21   | 56481907 | 2   | Pivot Block                     | 57            | 56024958 | 1   | Advance Emblem                      |
| 22   | 56478963 | 4   | Set Screw                       | 58            | 56489544 | 1   | Red Lens                            |
| 23   | 56482251 | 2   | Arm                             |               | 56481553 | 1   | Socket Assembly                     |
| 24   | 56478775 | 8   | Retaining Ring                  |               | 56481551 | 1   | Light Bulb                          |
| 25   | 56482278 | 1   | Strap                           |               | 56489550 | 2   | Lens Gasket                         |
| 26   | 56482049 | 1   | Blade                           | 59            | 56016543 | 1   | Decal, Advance                      |
| 27   | 56482277 | 1   | Rod                             | 60            | 56025100 | 3   | Decal, Warning                      |
| 28   | 56478958 | 2   | Nut Plate                       | 61            | 56151270 | 1   | Handle Grip                         |
| 29   | 56478910 | 1   | Left Bracket                    | 62            | 56482146 | 1   | Lever                               |
|      | 56478913 | 1   | Right Bracket                   | 63            | 56482143 | 1   | Rear Bumper                         |
| 30   | 56482610 | 1   | Left Arm                        | 64            | 56478872 | 1   | Gasket                              |
|      | 56482612 | 1   | Right Arm                       |               |          |     |                                     |
| 31   | 56477574 | 2   | Pin                             | * = Not Shown |          |     |                                     |
| 32   | 56477574 | 4   | Pin                             |               |          |     |                                     |
| 33   | 56479646 | 2   | Hopper Cylinder (Green MFG)     |               |          |     |                                     |
|      | 56479703 |     | Cylinder Repair Kit <b>NOTE</b> |               |          |     |                                     |
| 34   | 56479057 | 1   | Left Arm                        |               |          |     |                                     |
|      | 56479060 | 1   | Right Arm                       |               |          |     |                                     |
| 35   | 56444944 | 16  | Sleeve Bearing                  |               |          |     |                                     |
| 36   | 56478778 | 6   | Retaining Ring                  |               |          |     |                                     |
| 37   | 56482246 | 2   | Plate                           |               |          |     |                                     |
| 38   | 56482245 | 1   | Left Lever                      |               |          |     |                                     |
|      | 56482244 | 1   | Right Lever                     |               |          |     |                                     |

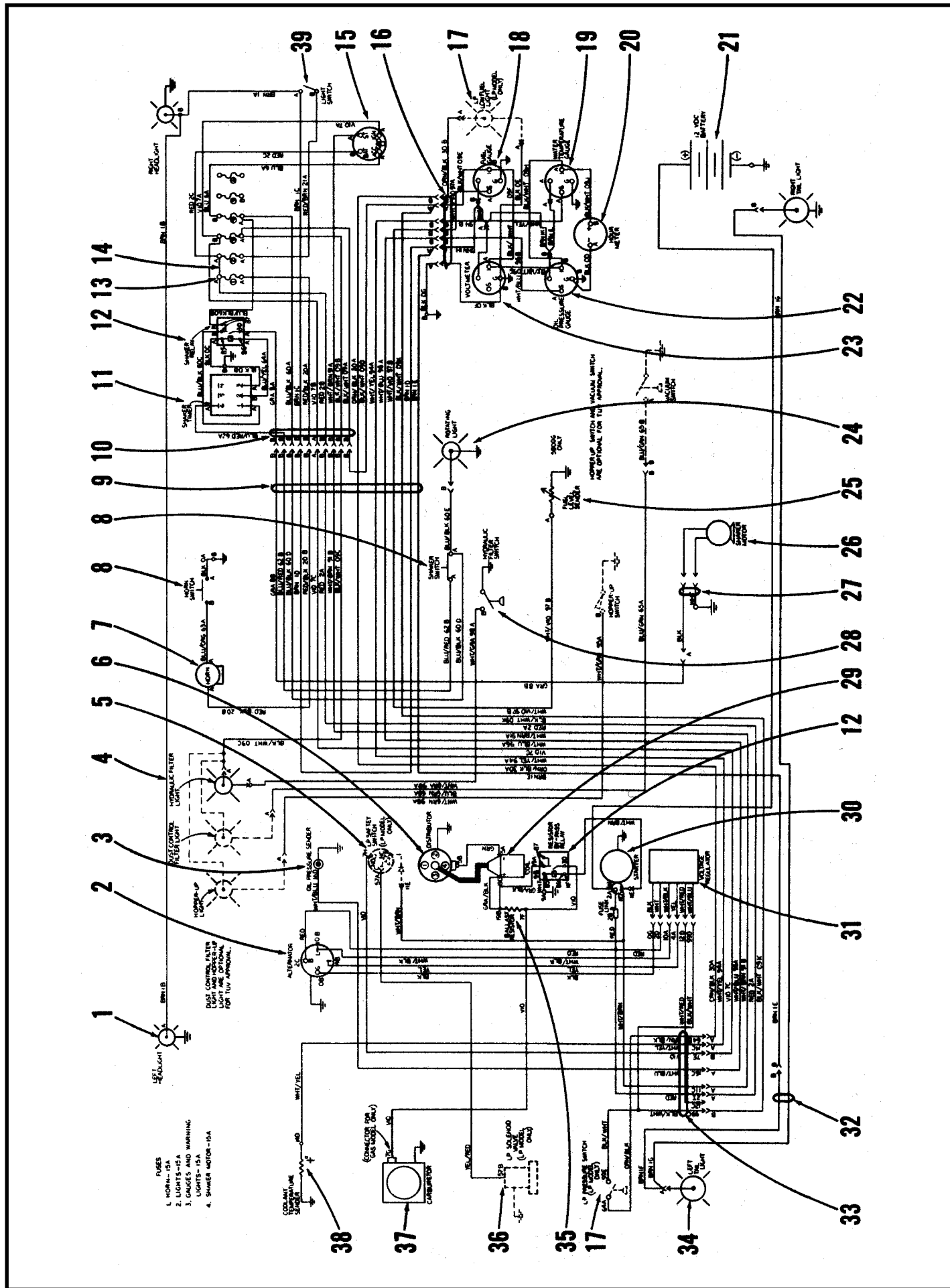
**NOTE:** PN 56479703 cylinder repair kit (Green MFG), for cylinders dated after November 1982.



## HYDRAULIC DIAGRAM (BEFORE SN 1093584)\*

| Item | Part No. | Qty | Description  | Item | Part No. | Qty | Description                          |
|------|----------|-----|--|------|----------|-----|--------------------------------------|
| 1    | 56479609 | 1   | Side Broom Motor                                       | 48   | 56900151 | 1   | Elbow                                |
| 2    | 56479769 | 1   | Nipple   | 49   | 56456955 | 1   | Hose                                 |
| 3    | 56479771 | 1   | Elbow  | 50   | 56900004 | 1   | Connector                            |
| 4    | 56900542 | 2   | Elbow  | 51   | 56900164 | 1   | Elbow                                |
| 5    | 56496215 | 1   | Hose   | 52   | 56479699 | 1   | Hose                                 |
| 6    | 56496273 | 1   | Valve  | 53   | 56496215 | 1   | Hose                                 |
|      | 56482156 | 1   | Side Broom Valve Assembly                              | 54   | 56900462 | 3   | Reducer                              |
| 7    | 56900104 | 2   | Elbow  | 55   | 56900504 | 3   | Nut                                  |
| 8    | 56479695 | 2   | Hose   | 56   | 56482501 | 1   | Control Valve                        |
| 9    | 56900444 | 2   | Tee  |      | 56482155 | 1   | Control Valve Assembly               |
| 10   | 56482033 | 1   | Hose   | 57   | 56900020 | 4   | Connector                            |
| 11   | 56900560 | 1   | Connector  | 58   | 56900344 | 2   | Tee                                  |
| 12   | 56482140 | 1   | Elbow  | 59   | 56479606 | 1   | Main Broom Motor <b>TSB 449 - G4</b> |
| 13   | 56490167 | 3   | Hose   | 60   | 56456989 | 1   | Elbow                                |
| 14   | 56900011 | 8   | Connector  | 61   | 56479593 | 1   | Hose                                 |
| 15   | 56496211 | 1   | Hose   | 62   | 56482033 | 1   | Hose                                 |
| 16   | 56456919 | 1   | Hose   | 63   | 56479690 | 1   | Elbow                                |
| 17   | 56482037 | 1   | Check Valve  | 64   | 56496216 | 1   | Hose 75"                             |
|      | 56482174 | 1   | Check Valve Assembly                                   | *    | 56025551 | 1   | Decal, Hydraulic                     |
| 18   | 56488745 | 1   | Hose   | *    | 56025555 | 1   | Wiring Decal G, LP                   |
| 19   | 56488743 | 1   | Hose   |      |          |     |                                      |
| 20   | 56488580 | 4   | Elbow  |      |          |     | * = Not Shown                        |
| 21   | 56488577 | 4   | Reducer  |      |          |     |                                      |
| 22   | 56479646 | 2   | Cylinder   |      |          |     |                                      |
| 23   | 56480916 | 1   | Hose   |      |          |     |                                      |
| 24   | 56900204 | 1   | Tee  |      |          |     |                                      |
| 25   | 56900604 | 1   | Reducer  |      |          |     |                                      |
| 26   | 56456449 | 1   | FilterHousing only, with Spin-On Filter                |      |          |     |                                      |
| *    | 56496209 | 1   | Spin-On Filter Element (length 9-7/16")                |      |          |     |                                      |
|      | 56482150 | 1   | Filter Assembly with Fittings (includes #24-30, 54,55) |      |          |     |                                      |
| 27   | 56900206 | 1   | Tee  |      |          |     |                                      |
| 28   | 56900306 | 1   | Elbow  |      |          |     |                                      |
| 29   | 56900506 | 1   | Nut  |      |          |     |                                      |
| 30   | 56900469 | 1   | Reducer  |      |          |     |                                      |
| 31   | 56456911 | 1   | Hose   |      |          |     |                                      |
| 32   | 56900585 | 2   | Elbow  |      |          |     |                                      |
| 33   | 56900303 | 1   | Elbow  |      |          |     |                                      |
| 34   | 56900581 | 1   | Elbow  |      |          |     |                                      |
| 35   | 56482151 | 1   | Reservoir  |      |          |     |                                      |
|      | 56482153 | 1   | Reservoir Assembly                                     |      |          |     |                                      |
| 36   | 56488741 | 1   | Hose   |      |          |     |                                      |
| 37   | 56482036 | 1   | Hose   |      |          |     |                                      |
| 38   | 56900117 | 1   | Elbow  |      |          |     |                                      |
| 39   | 56900302 | 1   | Elbow  |      |          |     |                                      |
| 40   | 56900003 | 1   | Connector  |      |          |     |                                      |
| 41   | 56481344 | 2   | Elbow  |      |          |     |                                      |
| 42   | 56496241 | 1   | Hydrostatic Transmission                               |      |          |     |                                      |
| 43   | 56456940 | 1   | Hose   |      |          |     |                                      |
| 44   | 56456943 | 1   | Hose   |      |          |     |                                      |
| 45   | 56456947 | 2   | Elbow  |      |          |     |                                      |
| 46   | 56456953 | 2   | Elbow  |      |          |     |                                      |
| 47   | 56456902 | 1   | Drive Motor <b>TSB 463 - G3</b>                        |      |          |     |                                      |

\*NOTE: The hydraulic system is being changed after SN 1093583. Refer to Revision Supplement Form No. 56042306 pages 15 & 16, for replacement parts for machines after this serial no.



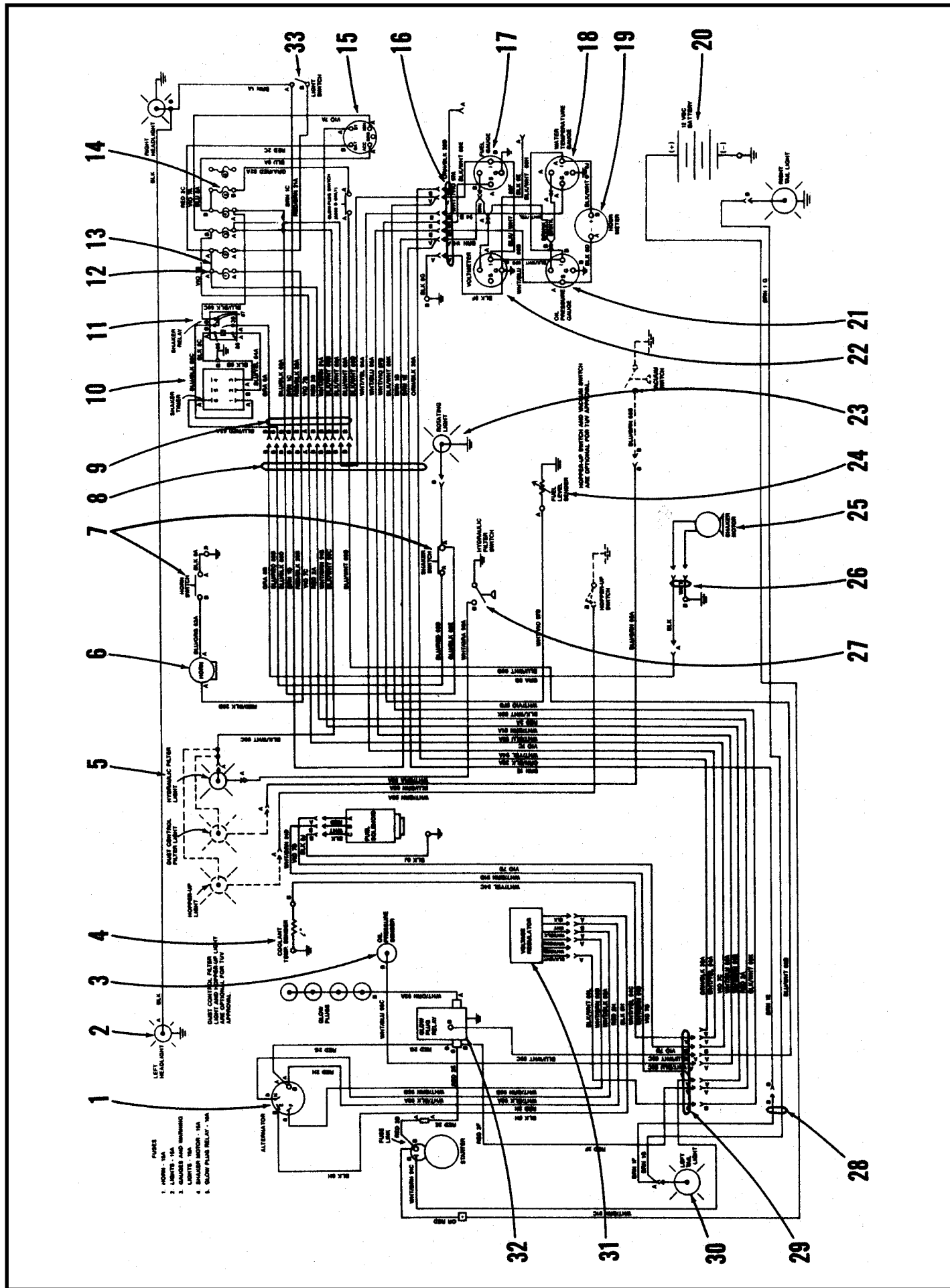
- FUSES
- 1. HORN-15A
  - 2. LIGHTS-15A
  - 3. GAUGES AND WARNING
  - 4. LIGHTS-15A
  - 5. SHAKER MOTOR-15A

## NISSAN ENGINE WIRING DIAGRAM (BEFORE SN 1093584)\*

| Item | Part No. | Qty | Description                     |
|------|----------|-----|---------------------------------|
| 1    | 56481543 | 2   | Head Lamp Assembly              |
| 2    | 56481767 | 1   | Alternator                      |
| 3    | 56478698 | 1   | Oil Pressure Sender             |
| 4    | 56456469 | 1   | Indicator Light                 |
| 5    | 56493146 | 1   | Fuel Lock-Off                   |
| 6    | 56481737 | 1   | Distributor Cap, Hitachi        |
|      | 56481753 | 1   | Distributor Cap, Mitsubishi     |
| 7    | 56442054 | 1   | Horn                            |
| 8    | 56441555 | 2   | Switch                          |
| 9    | 56482157 | 1   | Main Harness                    |
| 10   | 56482325 | 1   | Fuse Harness                    |
| 11   | 56491870 | 1   | Time Delay                      |
| 12   | 56491862 | 2   | Relay                           |
| 13   | 56478271 | 4   | Fuse 15 Amp                     |
| 14   | 56492293 | 1   | Buss Bar                        |
| 15   | 56478640 | 1   | Ignition Switch                 |
| 16   | 56482326 | 1   | Gauge Panel Harness             |
| 17   | 56493015 | 1   | Low Fuel Light Kit LP           |
| 18   | 56489598 | 1   | Fuel Level Gauge                |
| 19   | 56489600 | 1   | Water Temperature Gauge         |
| 20   | 56478363 | 1   | Hour Meter                      |
| 21   | 56441511 | 1   | Battery                         |
| 22   | 56489592 | 1   | Oil Pressure Gauge              |
| 23   | 56482044 | 1   | Volt Meter                      |
| 24   | 56489639 | 1   | Rotating Light                  |
| 25   | 56478358 | 1   | Fuel Level Sender               |
| 26   | 56491820 | 1   | Shaker Motor                    |
| 27   | 56482324 | 1   | Cord                            |
| 28   |          |     | intentionally omitted           |
| 29   | 56481569 | 1   | Coil                            |
| 30   | 56481577 | 1   | Starter                         |
| 31   | 56481575 | 1   | Voltage Regulator               |
| 32   | 56482327 | 1   | Tail Light Harness              |
| 33   | 56492803 | 1   | Engine Harness                  |
| 34   | 56481553 | 2   | Socket                          |
|      | 56481551 | 2   | Light Bulb                      |
|      | 56481544 | 2   | Red Lens                        |
|      | 56481550 | 2   | Lens Gasket                     |
| 35   | 56481579 | 1   | Resistor                        |
| 36   | 56456626 | 1   | LP Solenoid Valve               |
| 37   | 56481729 | 1   | Carburetor                      |
| 38   | 56481888 | 1   | Temperature Sender              |
| 39   | 56376348 | 1   | Switch                          |
| *    | 56025555 | 1   | Wiring Decal, G, LP             |
| *    | 56482475 | 1   | Dust Filter Indicator Light Kit |

\* = Not Shown

**\*NOTE:** The Nissan Engine assembly is being replaced by a Ford Engine assembly after SN 1093583. Refer to Revision Supplement Form No. 56042306 pages 11 & 12, for the Ford Engine Wiring Diagram for machines after this serial no.



## DIESEL ENGINE WIRING DIAGRAM (BEFORE SN 1156592)\*

| Item | Part No. | Qty | Description             |
|------|----------|-----|-------------------------|
| 1    | 56492115 | 1   | Alternator              |
| 2    | 56481543 | 2   | Head Lamp Assembly      |
| 3    | 56478698 | 1   | Oil Pressure Sender     |
| 4    | 56481888 | 1   | Temperature Sender      |
| 5    | 56456469 | 1   | Indicator Light         |
| 6    | 56442054 | 1   | Horn                    |
| 7    | 56441555 | 2   | Switch                  |
| 8    | 56482157 | 1   | Main Harness            |
| 9    | 56482325 | 1   | Fuse Harness            |
| 10   | 56491870 | 1   | Time Delay              |
| 11   | 56491862 | 1   | Relay                   |
| 12   | 56478271 | 4   | Fuse 15 Amp             |
| 13   | 56492293 | 2   | Buss Bar                |
| 14   | 56448667 | 1   | Fuse 10 Amp             |
| 15   | 56478640 | 1   | Ignition Switch         |
| 16   | 56482326 | 1   | Gauge Panel Harness     |
| 17   | 56489598 | 1   | Fuel Gauge              |
| 18   | 56489600 | 1   | Water Temperature Gauge |
| 19   | 56478363 | 1   | Hour Meter              |
| 20   | 56491902 | 1   | Battery                 |
| 21   | 56484592 | 1   | Oil Pressure Gauge      |
| 22   | 56482044 | 1   | Volt Meter              |
| 23   | 56489639 | 1   | Rotating Light          |
| 24   | 56478358 | 1   | Fuel Level Sender       |
| 25   | 56491820 | 1   | Shaker Motor            |
| 26   | 56482324 | 1   | Cord                    |
| 27   |          |     | intentionally omitted   |
| 28   | 56482327 | 1   | Tail Light Harness      |
| 29   | 56482334 | 1   | Engine Harness          |
| 30   | 56481553 | 2   | Socket                  |
|      | 56481551 | 2   | Light Bulb              |
|      | 56481554 | 2   | Red Lens                |
|      | 56481550 | 2   | Lens Gasket             |
| 31   | 56492130 | 1   | Voltage Regulator       |
| 32   | 56441546 | 1   | Relay                   |
| 33   | 56376348 | 1   | Switch                  |
| *    | 56025557 | 1   | Wiring Decal, Diesel    |

\* = Not Shown

**\*NOTE:** The Kubota 4 Cylinder Diesel Engine Assembly is being replaced by a Kubota 3 Cylinder Diesel Engine Assembly after SN 1156591. Refer to Revision Supplement Form No. 56042306 pages 13 & 14, for replacement parts for machines after this serial no.





Nilfisk-Advance, Inc.  
14600 21st Avenue North  
Plymouth, MN, 55447-3408  
[www.nilfisk-advance.com](http://www.nilfisk-advance.com)  
Phone: 800-989-2235  
Fax: 800-989-6566  
©2000 Nilfisk-Advance, Inc.,  
Plymouth, MN 55447-3408  
Printed in the U.S.A.