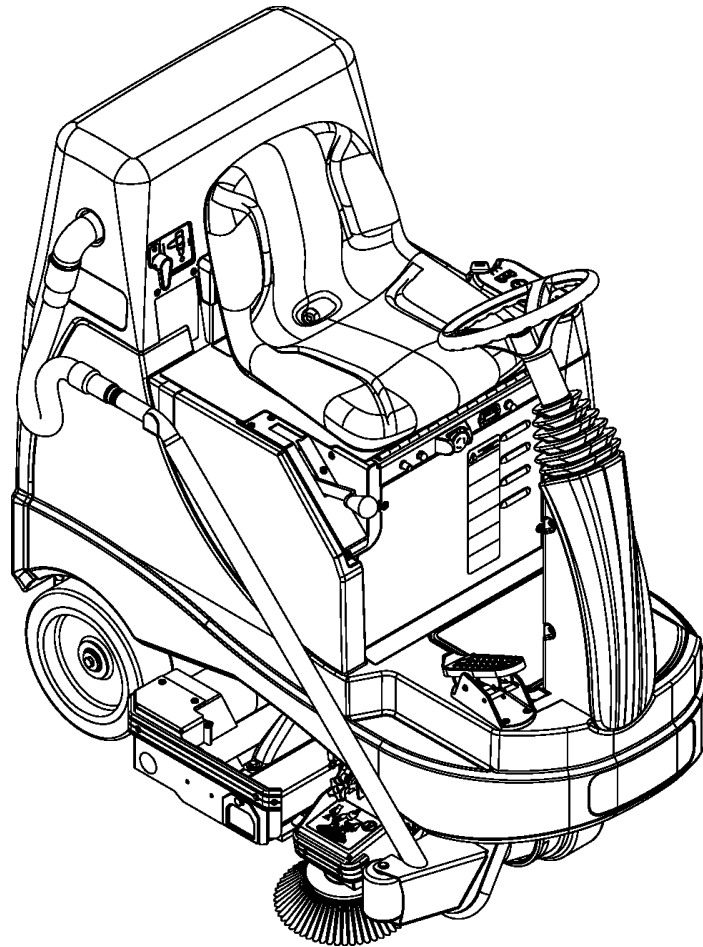


VacRide™ 3400, 3400C



PARTS LIST

Advance MODELS 56602000, 56602001



Advance

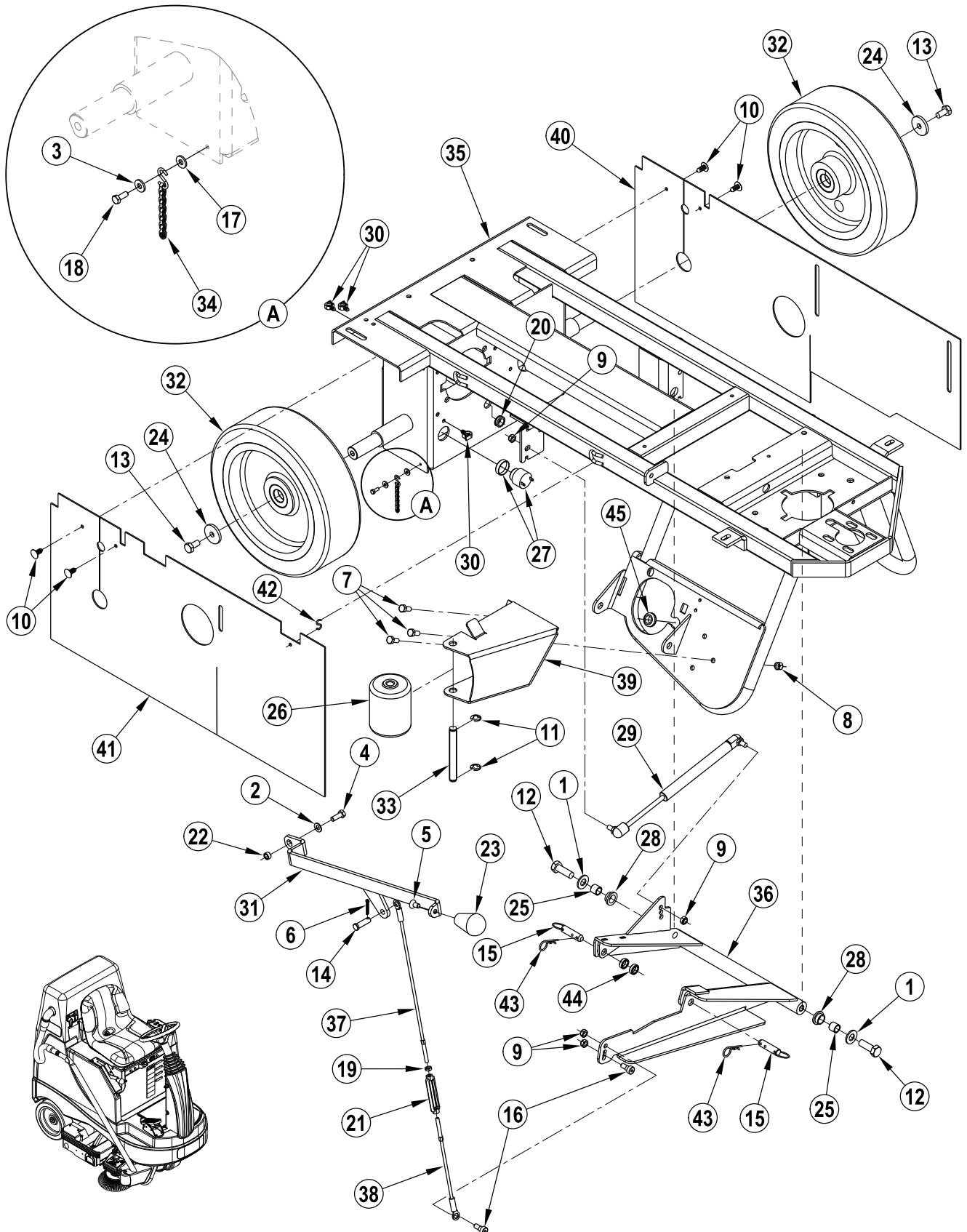
10/09 revised 10/10 FORM NO. 56042521

DESCRIPTION	PAGE
Chassis	2-3
Decal System.....	4-5
Deck System.....	6-7
Electrical System	8-9
Front Wheel Assembly	10-11
Onboard Charger Assembly	12-13
Recovery System.....	14-15
Side Broom System	16-17
Solution System.....	18-19
Steering Wheel Assembly	20-21
Vacuum Fan Assembly	22-23
Wiring Diagram	24-25
Optional Kits and Accessories	26

WHEN ORDERING PARTS

- * Use the part numbers from the "Ref. No." columns in this parts list.
- * Specify the model and serial number of the machine.
- * Use the space below to record the model and serial number for future reference.

Model _____ Serial No. _____



09-10	CHASSIS SYSTEM		
10-10	VacRide™ 3400, 3400C		3

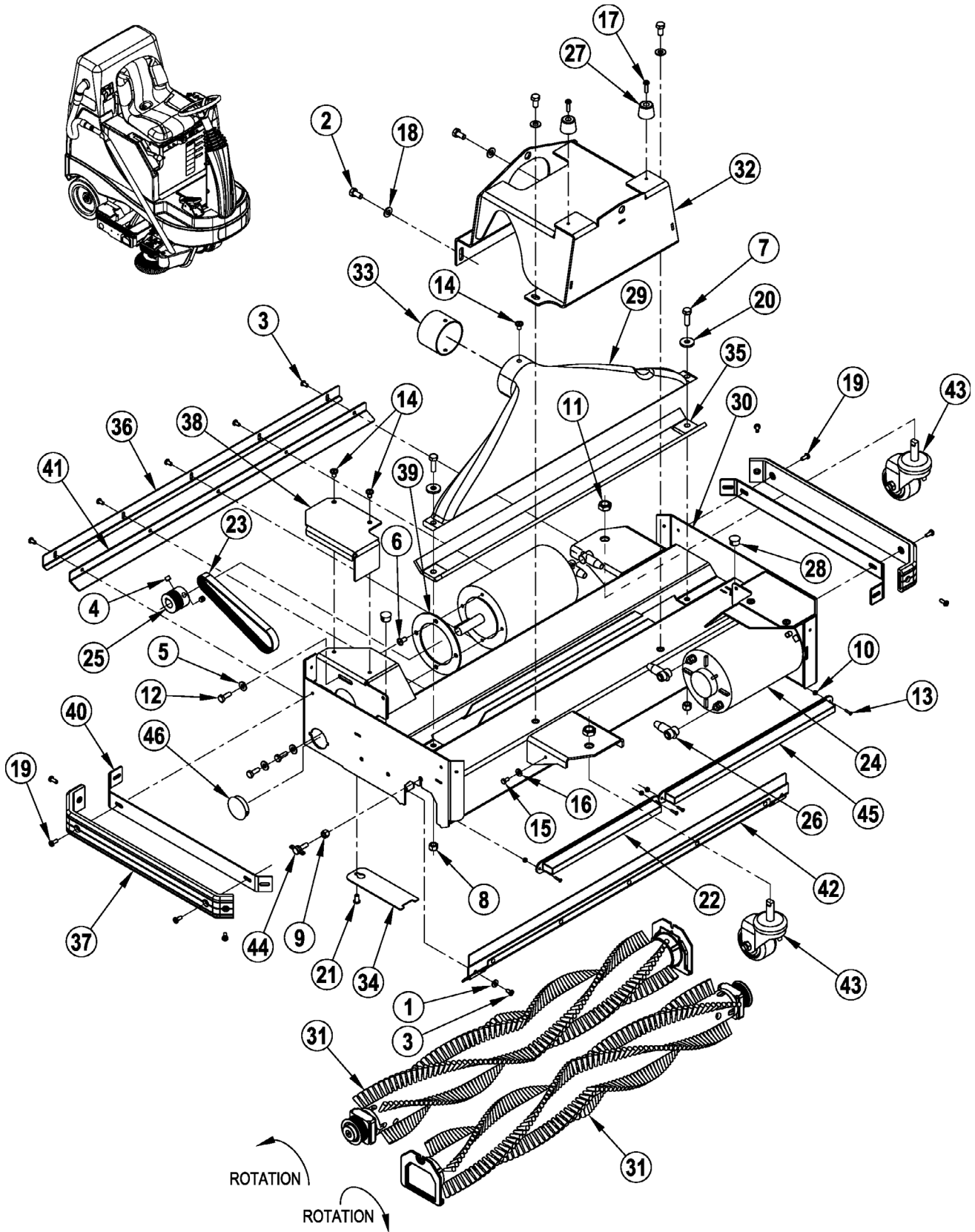
Item	Ref. No.	Qty	Description
1	56001879	2	Wsh-Fit Sae 1/2
2	56001939	1	Wsh, Flt Sae 5/16
3	56001954	1	Wsh, Flt Sae #10
4	56002037	1	Scr, Hex 5/16-18 X .88
5	56002476	1	Scr, Flt Phil 5/16-18 X .62
6	56002529	1	Pin, Cotter 1/8 X 1
7	56002667	3	Scr, Hex 5/16-18 X .75
8	56002701	3	Nut, Hex Nyl Loc 5/16-18
9	56002826	5	Nut, Hex Nyl Loc-Thin 5/16-18
10	56003263	4	Rivet, Nylon Tree Push-In (.25)
11	56003264	2	Ring, Ret Ext Type E 0.50 Dia
12	56003412	2	Scr, Hex Loc M12-1.75 X 35mm
13	56003442	2	Scr, Hex Loc M10-1.5 X 20mm
14	56003589	1	Pin, Clevis .375 X 1.25
15	56003671	2	Pin, Ring .50 X 1.25
16	56003730	2	Scr, Soc Shd .38 X .25 X 5/16-18
17	56009011	1	Wsh, Int Shprf #10
18	56009039	1	Scr, Hex Thd Form 10-24 X .50
19	56009087	1	Nut, Hex Jam 1/4-20
20	56158690	1	Grommet
21	56206814	1	Turnbuckle
22	56320595	1	Bushing .32x.50x.28
23	56364527	1	Knob
24	56367117	2	Wsh, Flt .406 X 1.5 X .1875
25	56367206	2	Bushing
26	56407006	1	Wheel, Roller
27	56412177	1	Horn/Backup Alarm (H2)
28	56420160	2	Bearing, Flange
29	56422179	1	Cylinder, Gas
30	56507793	3	Clip, Conduit
31	56601381	1	Lift Lever Weldment
32	56601482	2	Wheel
33	56601580	1	Pin
34	56601716	1	Ground Chain
35	56602021	1	Chassis Weldment
36	56602034	1	Linkage Weldment
37	56602127	1	Wire Rope Assy
38	56602128	1	Wire Rope Assy
39	56602129	1	Roller Brkt
40	56602140	1	Skirt - Left
41	56602141	1	Skirt - Right
42	56745391	1	S Hook
43	56002959	2	Pin, Cotter Hair
44#	56481456	2	Bushing
45	56157376	1	Grommet

= Revised or new since last update

09-10	DECAL SYSTEM		
10-10	VacRide™ 3400, 3400C		5

Item	Ref. No.	Qty	Description
1	56014601	1	Decal, Caution
2	56016619	1	Decal, Wand
3	56016730	1	Decal-Advance
5	56601414	1	Decal, Circuit Breaker
6	56601416	1	Decal-Battery Wiring
7	56601418	1	Decal
8	56602014	1	Decal - Instruction
9	56602015	1	Decal - Hepa
10	56602075	2	Decal Vacride
11#	56602265	1	Decal-HEPA Warning

= Revised or new since last update



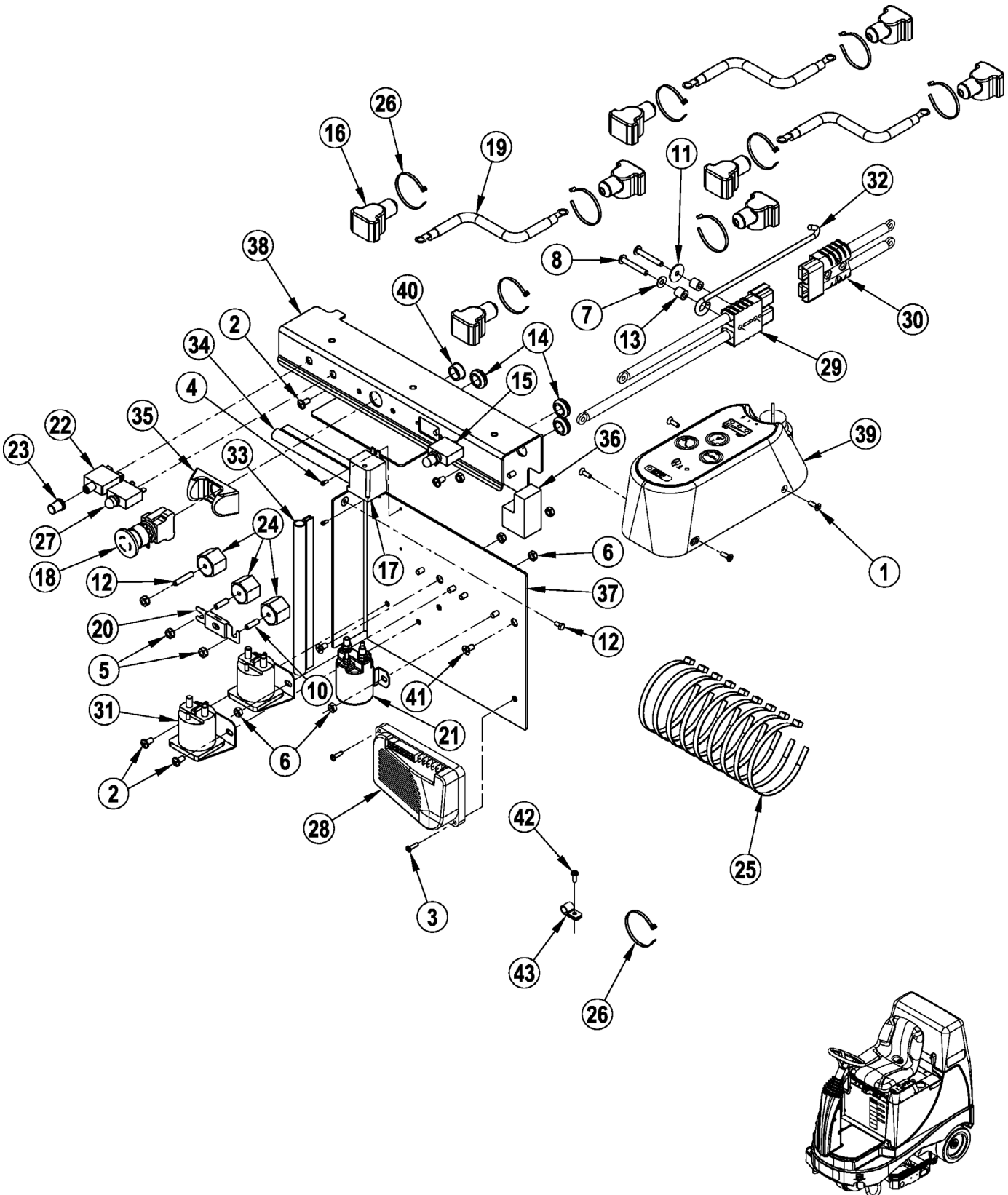
09-10	DECK SYSTEM		
10-6	VacRide™ 3400, 3400C		7

Item	Ref. No.	Qty	Description
1	56001954	1	Wsh, Flt Sae #10
2	56002035	4	Scr, Hex 5/16-18 X .62
3	56002043	7	Scr, Pan Phil 10-24 X .38
4	56002086	4	Scr, Soc Set Loc 5/16-18 X .25
5	56002098	6	Wsh, Flt Sae 1/4
6	56002145	2	Scr, Pan Phil 1/4-20 X .50
7	56002221	2	Scr, Hex 5/16-18 X 1.00
8	56002701	2	Nut, Hex Nyl Loc 5/16-18
9	56002708	2	Nut, Hex Nyl Loc 1/4-20
10	56002838	4	Nut, Hex Nyl Loc 4-40
11	56002843	2	Nut, Hex Nyl Loc-Thin 1/2-13
12	56002948	6	Scr,Hex Hd Loc 1/4-20x.75
13	56003127	4	Scr, Pan Phil 4-40 X .50
14	56003603	6	Scr, Pan Phil Thd Form 1/4-20 X .38
15	56009011	1	Wsh, Int Shprf #10
16	56009012	1	Scr, Hex Thd Form 10-24 X .38
17	56009043	2	Scr, Pan Phil Thd Form 10-24 X .75
18	56009052	4	Wsh, Int Shprf 5/16
19	56009082	8	Scr, Pan Phil Thd Form-Blk 10-24 X .50
20	56009122	2	Wsh, Flt .344 X .938 X .125
21	56009204	2	Scr, Button Soc 1/4-20 X .50
22	56052964	1	Carpet Magnet
23	56249040	2	Belt, Poly V
24	56315061	2	Motor-24 Vdc .5 Hp 1800 Rpm (M7,M8) TSBUS2010-1058
[]	56412287	1	Motor Brush/Spring Kit NOTE 2
[]	56380003	1	Motor Brush/Spring Kit NOTE 2
25	56407433	2	Sheave, Poly-V
26	56409538	4	Insulator, Terminal
27	56601388	2	Up Stop Mount
28	56601683	2	Plug-Cap
29	56602037	1	Tube Intake
30	56602052	1	Housing Weldment
31	56602053	2	Brush Assembly NOTE 1
[]	56262647	1	Bearing, Block (Drive End)
[]	56602041	1	Bearing, Block (Idler End)
32	56602060	1	Deck Bracket Weldment
33	56602095	1	Tube-Duct
34	56602109	2	Cover Pulley
35	56602113	1	Gasket Intake
36	56602154	1	Clamping Bar
37	56602166	2	Bumper
38	56602168	2	Cover Belt
39	56602176	2	Plate - Motor
40	56602196	2	Strap
41	56602198	1	Deflector - Rear
42	56602239	1	Divider Plate Assembly
43	56602242	2	Caster
44	56602244	2	T-Knob Assembly
45	56643426	1	Carpet Magnet
46	56744814	2	Plug, Cap

[] = Not Shown

NOTE 1: Cannot use any other brushes.

NOTE 2: If your cylindrical scrub motor has a serial tag from Scott Motors Co. order Brush / Spring Kit 56412287.
If your cylindrical scrub motor has a serial tag from Nilfisk-Advance order Brush / Spring Kit 56380003.



09-10

ELECTRICAL SYSTEM

09-12

VacRide™ 3400, 3400C

9

Item	Ref. No.	Qty	Description
1	56002099	4	Scr, Flt Phil 10-24 X .62
2	56002145	4	Scr, Pan Phil 1/4-20 X .50
3	56002146	2	Scr, Pan Phil 8-32 X .62
4	56002539	2	Scr, Pan Phil Thd Form 6-32 X .31
5	56002561	3	Nut, Hex W/ Shprf 1/4-20
6	56002840	6	Nut, Hex Nyl Loc-Thin 1/4-20
7	56002859	1	Wsh, Flt Sae Ss 1/4
8	56002997	2	Scr, Pan Phil 1/4-20 X 1.75
9	56009012	1	Scr, Hex Thd Form 10-24 X .38
10	56009020	2	Stud
11	56009060	1	Wsh, Flt Ss .260 X 1.000 X .074
12	56009203	1	Stud, 1/4-20
13	56046309	2	Spacer, Phenolic
14	56157376	3	Grommet
15	56315255	1	Circuit Breaker, 5 Amp (CB3)
16	56372673	8	Boot, Battery Post
17	56396286	1	Relay,Spst, 24v (K4)
18	56407130	1	Disconnect, Emergency (S4)
19	56409485	3	Cable,Battery
20	56412089	1	Fuse, 150 Amp (F1)
21	56412179	1	Contactora, 24 Vdc (K1)
22	56454429	1	Circuit Breaker, 70 Amp (CB2)
23	56459369	1	Boot, Reset Button
24	56469858	3	Electrical Mount
25	56477613	9	Tie, Cable
26	56478246	9	Tie, Cable
27	56507644	1	Circuit Breaker, 10 Amp (CB1)
28	56601061	1	Controller, Speed (A2)
29	56601171	1	Connector Assy
30	56601172	1	Connector Assy
[]	56601175	1	Harness, Traction Drive
31	56601183	2	Contactora 24v, 100 Amp (K2,K3)
32	56601215	1	Prop Rod, Seat
33	56601251	1	Gasket
34	56601252	1	Gasket
[]	56601431	1	Cable Assembly
35	56601434	1	Emergency Button Guard
36	56601600	1	Foam Insert
[]	56602023	1	Harness Main
37	56602036	1	Panel Electric
38	56602066	1	Panel
39	56602105	1	Interface Panel Assembly (A1)
[]	56602233	1	Kit, Interface Panel
[]	56303553	1	Key Switch (S1)
[]	56303526	A/R	Replacement Key Set
40	56900144	1	Plug, Cap
41	56002755	2	Scr, Flt Phil 1/4-20 X .50
42	56009029	1	Scr, PanPhil Thd Form 10-24 X .50
43	56172017	1	Clamp-P

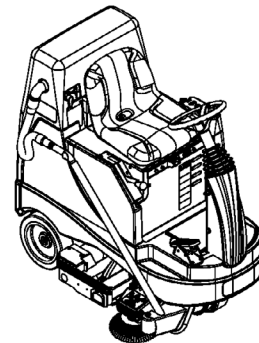
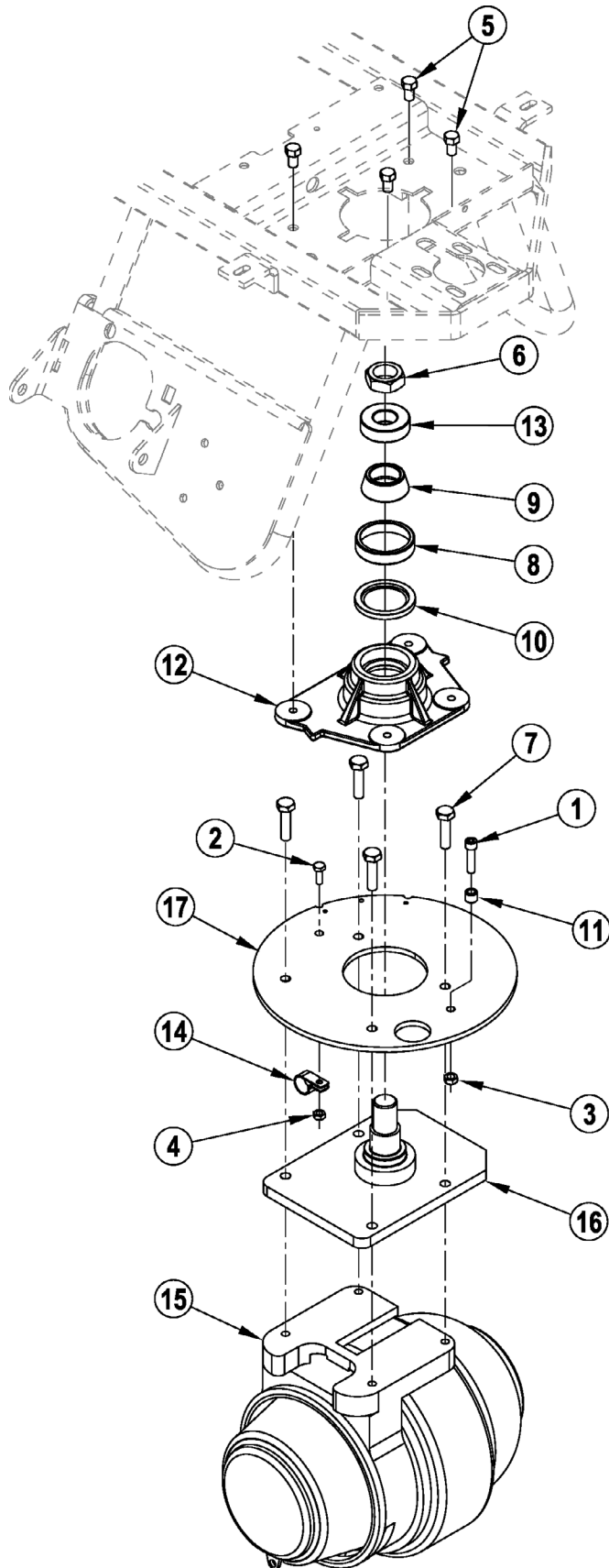
[] = Not Shown

FRONT WHEEL ASSEMBLY

09-10

10

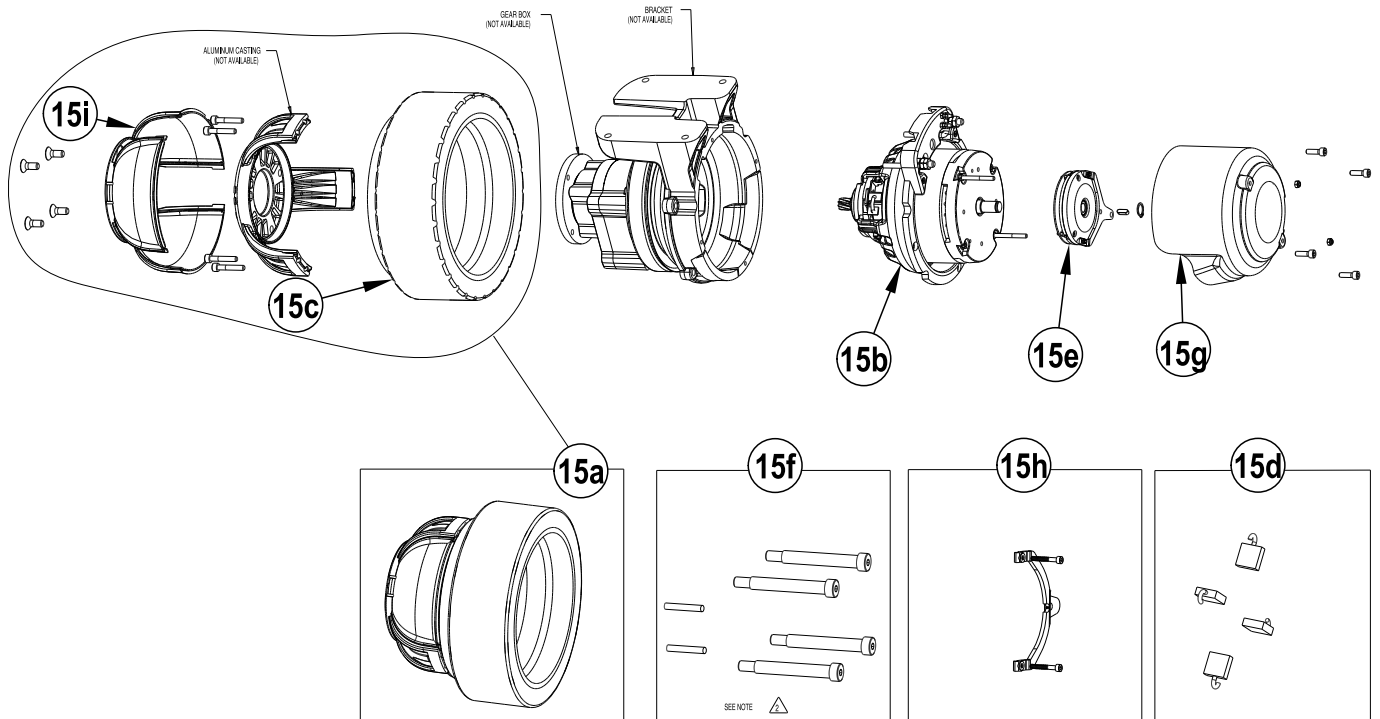
VacRide™ 3400, 3400C

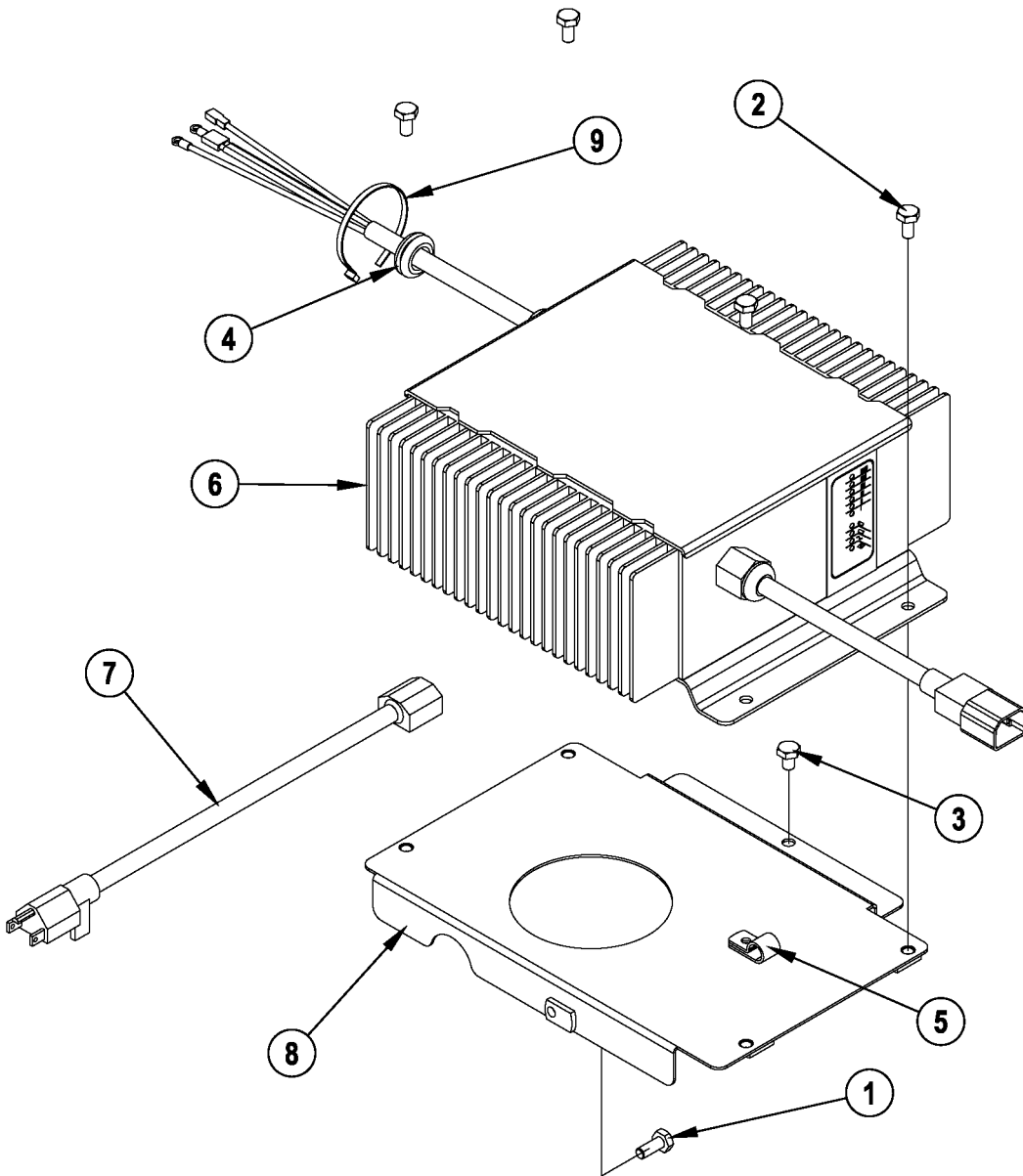


Item	Ref. No.	Qty	Description
1	56002131	1	Scr, Soc Hd 5/16-18 X 1.25
2	56002155	1	Scr, Hex 1/4-20 X .75
3	56002826	5	Nut, Hex Nyl Loc-Thin 5/16-18
4	56002840	5	Nut, Hex Nyl Loc-Thin 1/4-20
5	56003040	4	Scr,Hex Hd Loc 3/8-16x.62
6	56003220	1	Nut, Hex Nyl Loc-Thin 1-14
7	56003491	4	Scr, Hex M10-1.5 X 40mm
8	56158143	1	Bearing Cup
9	56158151	1	Bearing Cone
10	56171081	1	Seal,Shaft
11	56244941	1	Bushing
12	56314032	1	Block, Bearing
13	56378380	1	Bearing Ball
14	56486112	1	Clamp-P
15	56601050	1	Motor / Drive Wheel (M1)
15a#	56601472	1	Kit, Drive Motor Tire W/Hub
15b#	56601473	1	Replacement Motor, Drive Motor
15c#	56601471	1	Tire
15d#	56601509	1	Carbon Brush Kit
15e#	56601507	1	Brake, Electromagnetic (Y1)
15f#	56422174	1	Tire Puller Kit
15g#	56601506	1	Drive Motor Cover
15h#	56380310	1	Kit-Brake Lever
15i#	56504481	1	Cover Gearbox Motor
16	56601077	1	Spindle Weldt
17	56601159	1	Plate, Steering

[] = Not Shown

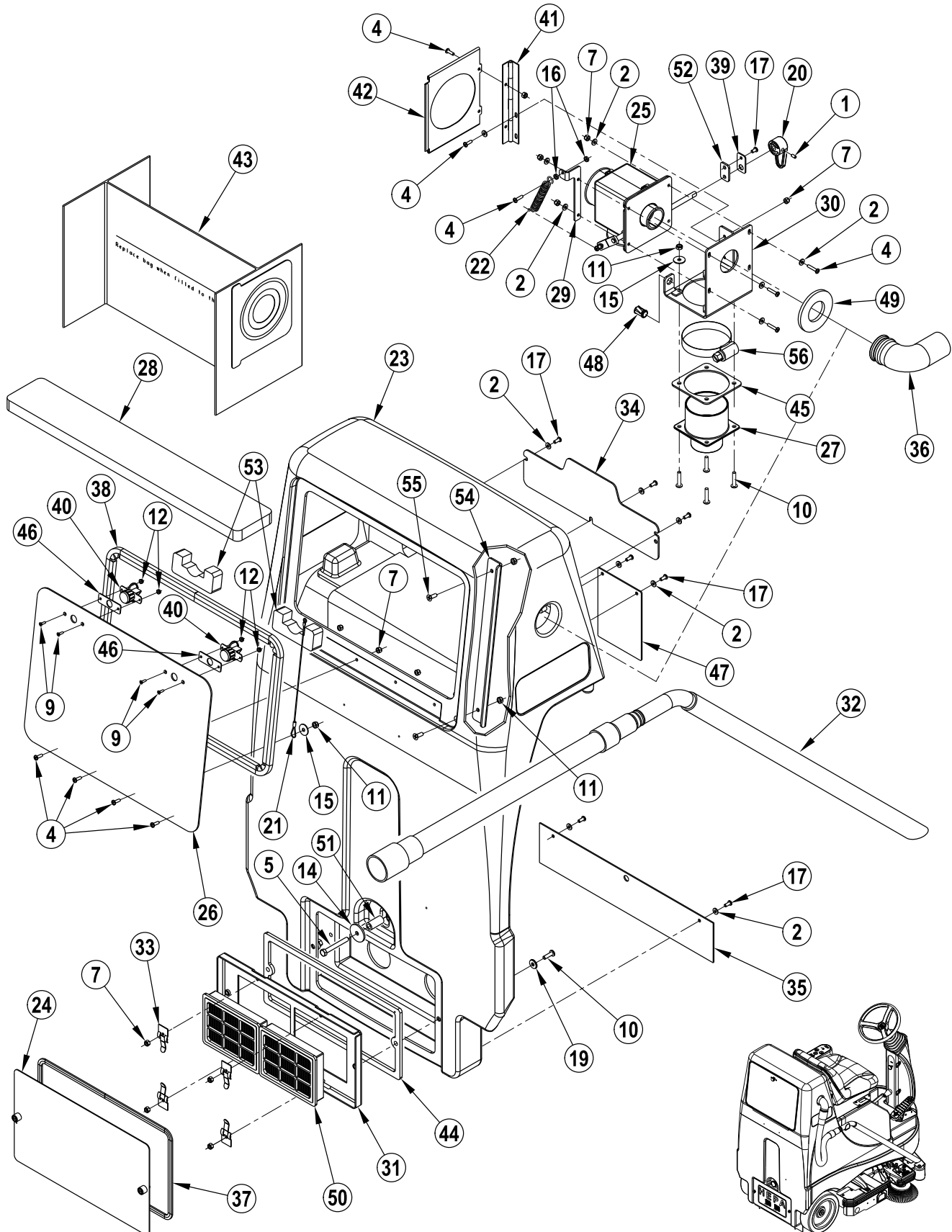
= Revised or new since last update





Item	Ref. No.	Qty	Description
	56601095	1	Onboard Charger Assembly NOTE 1 / TSBUS2008-984
1	56001836	1	Scr, Hex 1/4-20 X .62
2	56001854	4	Scr, Hex 1/4-20 X .50
3	56009019	1	Scr, Hex Thd Form 1/4-20 X .38
4	56157376	1	Grommet
5	56172017	1	Clamp,P
6	56315124	1	Charger, On-Board 24v
7	56315270	1	Charger Cord, Us
8	56601417	1	Charger Mount Bracket
9	56478246	1	Cable Tie

NOTE 1: Standard on the following models: 56602001



09-10

RECOVERY SYSTEM

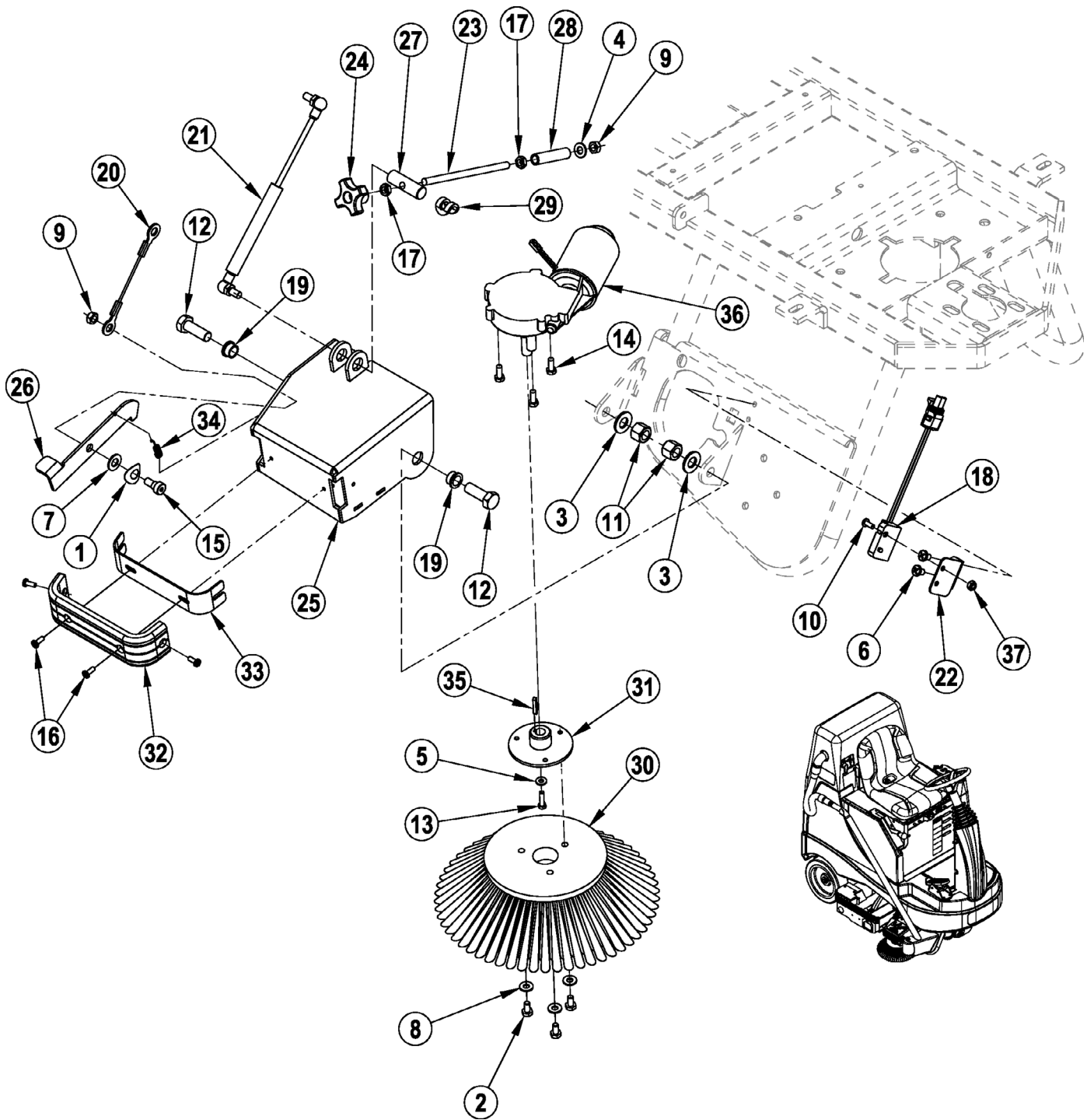
10-10

VacRide™ 3400, 3400C**15**

Item	Ref. No.	Qty	Description	Item	Ref. No.	Qty	Description
1	56001823	1	Scr, Soc Set Loc 10-24 X .38	32	56602132	1	Vac Wand With Hose
2	56001954	15	Wsh, Flt SAE #10	[]	56602230	1	Handle – Wand
3#			DELETED	[]	56602231	1	Wand – Plastic
4#	56002192	13	Scr, Pan Phil 10-24 X .75	[]	56602232	1	Hose
5	56002488	1	Scr, Hex Thd To Hd 5/16-18 X 2.50	33	56602135	4	Latch - Snap Down
6#			DELETED	34	56602139	1	Panel
7#	56002768	16	Nut, Hex Nyl Loc 10-24	35	56602144	1	Skirt - Rear
8#			DELETED	36	56602148	1	Elbow
9	56002816	4	Scr, Flt Phil 6-32 X .50	37	56602156	1	Gasket
10#	56002825	6	Scr, Pan Phil 1/4-20 X 1.25	38	56602157	1	Gasket
11	56002840	4	Nut, Hex Nyl Loc-Thin 1/4-20	39	56602159	1	Retainer
12	56002864	4	Nut, Hex Nyl Loc-Thin 6-32	40	56602160	2	Knob
14	56003716	1	Wsh- Flt SS .320 X 1.500 X .125	41	56602163	1	Hinge
15	56009002	2	Wsh, Flt .266 X .906 X .060	42	56602164	1	Bracket
16	56009009	2	Nut, Hex Machine 10-24	43	56602167	1	Disposable Bag - 6 Pack
17#	56009191	8	Scr, Pan Phil Plastite 10-14 X .50	44	56602177	1	Gasket
18#			DELETED	45	56602179	1	Gasket
19	56201047	2	Washer, Sealing	46	56602186	2	Gasket
20	56330821	1	Lever	47	56602187	1	Flap
21	56053793	1	Wire Rope- .062 Dia x 10.5L	48	56602190	1	Magnet
22	56448112	1	Spring Ext	49	56602246	1	Gasket
23	56602026	1	Tank Vacuum	50	1471250600	2	Filter Hepa
24	56602032	1	Cover Filter	51	56315068	1	Spacer, Phenolic
25	56602033	1	Vacuum Diverter Assy	52	56602254	1	Gasket
26	56602071	1	Weldment Vac Tank Cover	53	56602260	2	Foam Pad
27	56602072	1	Fitting Vacuum Hose	54	56602264	1	Bracket-Support
28	56602073	1	Filter	55	56002784	2	Scr, Flt Phil ¼ -20 x .75
29	56602101	1	Bracket Spring Mount				
30	56602118	1	Bracket				
31	56602120	1	Panel				

[] = Not Shown

= Revised or new since last update



09-10

SIDE BROOM SYSTEM

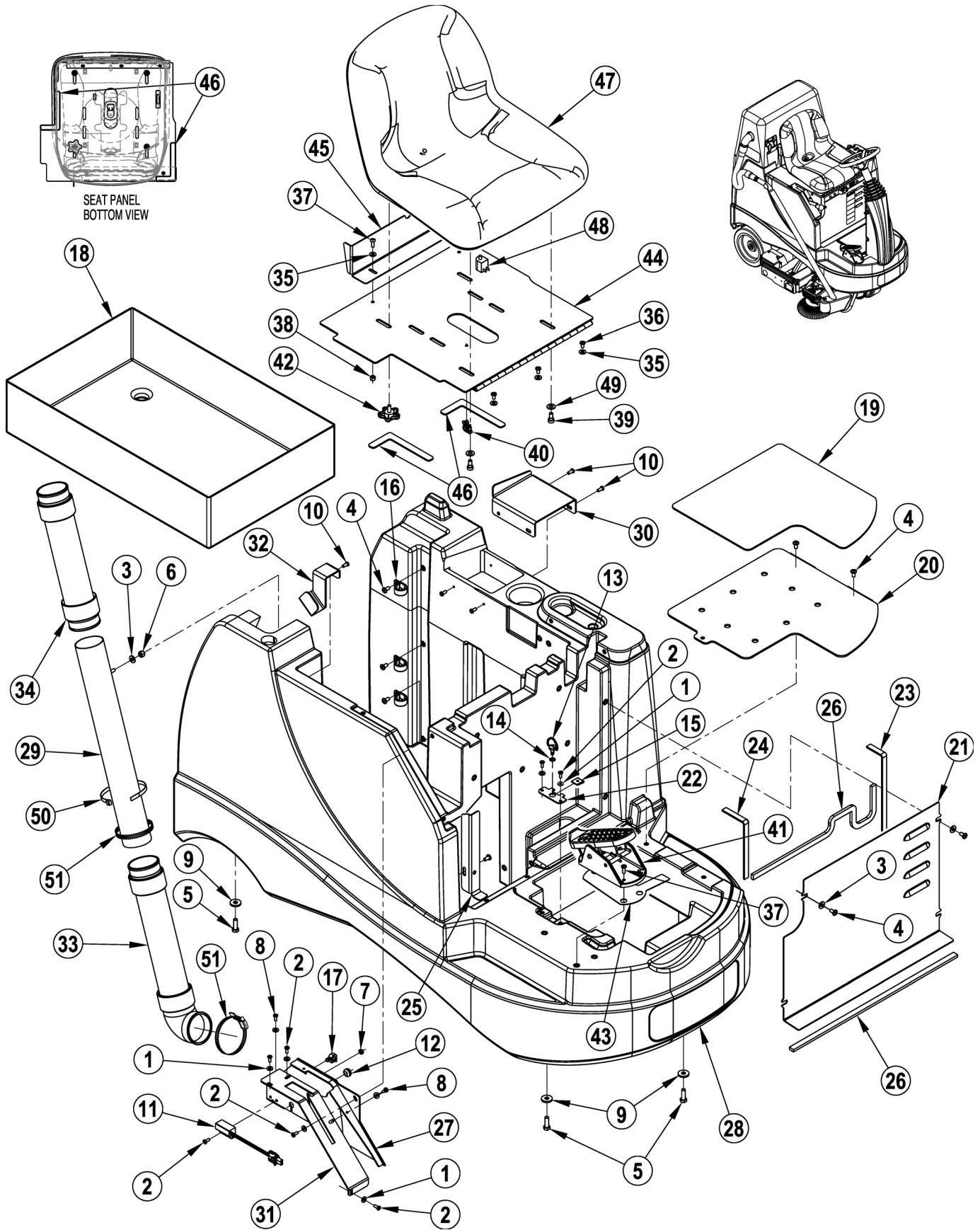
10-6

VacRide™ 3400, 3400C**17**

Item	Ref. No.	Qty	Description
1	980195	1	Wave Washer 25/64 X 1 X 1/4
2	56001854	3	Scr, Hex 1/4-20 X .50
3	56001879	2	Wsh-Flt Sae 1/2
4	56001939	1	Wsh, Flt Sae 5/16
5	56001954	1	Wsh, Flt Sae #10
6	56003603	2	Scr, Pan Phil Thd Form ¼ -20 X .38
7	56002063	1	Wsh, Flt Sae 3/8
8	56002098	3	Wsh, Flt Sae 1/4
9	56002826	2	Nut, Hex Nyl Loc-Thin 5/16-18
10	56001993	1	Scr, Pan Phil 10-24 X .50
11	56003312	2	Nut, Hex Nyl Loc M12-1.75
12	56003415	2	Scr, Hex M12-1.75 X 35mm
13	56003427	1	Scr, Hex M5-0.8 X 20mm
14	56003441	3	Scr, Hex Loc M6-1 X 16mm
15	56003730	1	Scr, Soc Shd .38 X .25 X 5/16-18
16	56009082	4	Scr, Pan Phil Thd Form-Blk 10-24 X .50
17	56009086	2	Nut, Hex Jam 5/16-18
18	56305053	1	Sensor, Proximity (S7)
19	56185264	2	Bearing, Flange
20	56304126	1	Cable Assy
21	56314206	1	Gas Spring
22	56602263	1	Bracket
23	56602236	1	Rod-Threaded
24	56407303	1	Knob
25	56602082	1	Sidebroom Arm Weldment
26	56602092	1	Catch
27	56602096	1	Pin
28	56602099	1	Bushing .34 X .50 X 2.25
29	56602100	1	Strap Lock
30	56602119	1	Brush Sidebroom NOTE 1
31	56602171	1	Hub Weldment - Brush Drive
32	56602174	1	Bumper - Sidebroom
33	56602197	1	Strap
34	56630732	1	Spring, Extension
35	1459777000	1	Key
36	1464152000	1	Reduction Gearmotor 90- Right/24v (M9)
[]	1464166000	1	Brush Carbon W/Cover
37	56002832	1	Nut, Hex Nyl Loc-Thin 10-24

[] = Not Shown

NOTE 1: Cannot use any other brush.



09-10

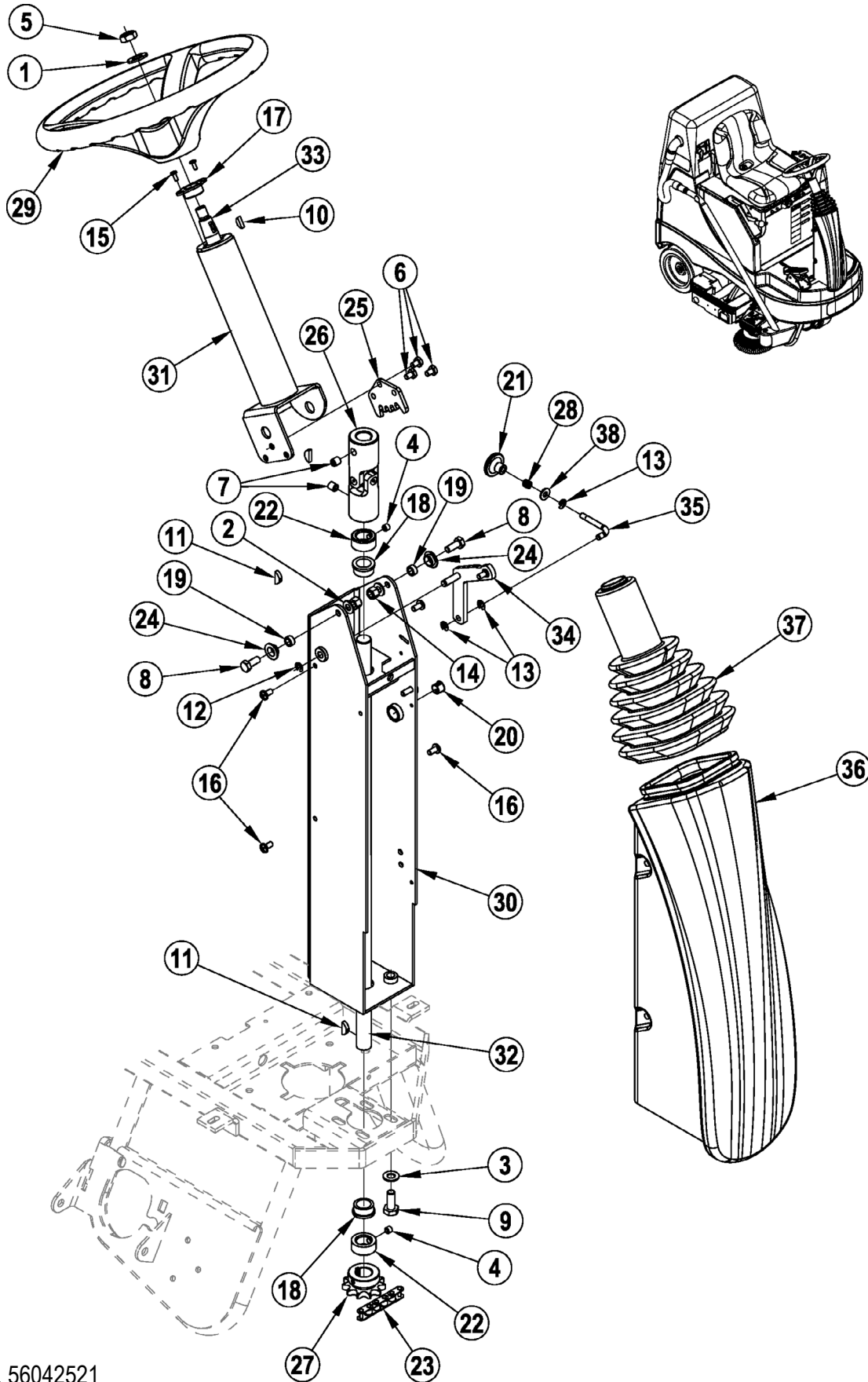
SOLUTION SYSTEM

09-12

VacRide™ 3400, 3400C

19

Item	Ref. No.	Qty	Description
1	56001954	8	Wsh, Flt Sae #10
2	56001993	7	Scr, Pan Phil 10-24 X .50
3	56002098	5	Wsh, Flt Sae 1/4
4	56002145	10	Scr, Pan Phil 1/4-20 X .50
5	56002221	4	Scr, Hex 5/16-18 X 1.00
6	56002708	1	Nut, Hex Nyl Loc 1/4-20
7	56002832	1	Nut, Hex Nyl Loc-Thin 10-24
8	56009029	2	Scr, Pan Phil Thd Form 10-24 X .50
9	56009122	4	Wsh, Flt .344 X .938 X .125
10	56009191	5	Scr, Pan Phil Plastite 10-14 X .50
11	56305053	1	Sensor, Proximity (S5)
12	56321540	1	Grommet
13	56380132	1	Latch, 1/4 Turn
14	56380137	1	Retainer
15	56380141	1	Nut, Clamp
16	56410097	3	Clamp, P
17	56507793	1	Clip, Conduit
18	56601213	1	Battery Box
19	56601246	1	Mat
20	56601339	1	Charger Cover Weldment
21	56601387	1	Electrical Cover Panel
22	56601511	1	Plate
23	56601569	1	Gasket
24	56601570	1	Gasket
25	56601670	1	Weldment - L Bracket
26	56601685	2	Gasket
27	56601714	1	Handle Cover Weld't
28	56602097	1	Solution Tank
29	56602098	1	Tube Weldment
30	56602110	1	Panel Accessory
31	56602116	1	Handle Cover-Top Panel
32	56602161	1	Bracket - Handle
33	56602189	1	Hose Assembly
34	56602194	1	Hose Assembly
35	56002098	6	Wsh, Flt Sae 1/4
36	56002145	3	Scr, Pan Phil 1/4-20 X .50
37	56002507	5	Scr, Pan Phil 1/4-20 X .75
38	56002708	2	Nut, Hex Nyl Loc 1/4-20
39	56003730	3	Scr, Soc Shd .38 X .25 X 5/16-18
40	56386407	1	Clip, Conduit
41	56601052	1	Footpedal Assy (R1)
42	56601271	1	Knob, 5/16 Stud
43	56601601	1	Footpedal Plate
44	56602134	1	Seat Panel Weldment
45	56602188	1	Bracket
46	56602245	2	Pad-Panel
47	8-69-00022	1	Seat
48	7-82-00050	1	Switch (S2)
49	56002063	3	Wsh, Flt Sae 3/8
50	56477613	1	Tie, Cable
51	56602257	2	Ratchet Lock Band



09-10

STEERING COLUMN ASSEMBLY

10-6

VacRide™ 3400, 3400C**21**

Item	Ref. No.	Qty	Description
1	56001879	1	Wsh-Flt Sae 1/2
2	56001939	2	Wsh, Flt Sae 5/16
3	56002063	4	Wsh, Flt Sae 3/8
4	56002086	2	Scr, Soc Set Loc 5/16-18 X .25
5	56002843	1	Nut, Hex Nyl Loc-Thin 1/2-13
6	56002933	3	Scr,Hex Hd Loc 1/4-20x.38
7	56003081	2	Scr, Soc Set Loc 3/8-16 X .38
8	56003179	2	Scr, Hex Thd To Hd M8-1.25 X 20mm
9	56003186	4	Scr, Hex Thd To Hd M10-1.5 X 25mm
10	56003227	1	Key, Wdf .62 X .19
11	56003228	3	Key, Wdf .75 X .19
12	56003261	1	Ring, Ret Ext Type E 0.31 Dia
13	56003268	3	Ring, Ret Ext Type E Reinf. 0.25 Dia
14	56003389	2	Nut, Hex Nyl Loc M8-1.25
15	56009051	2	Scr, Pan Phil Thd Form 8-32 X .38
16	56009062	4	Scr, Pan Phil Thd Form 1/4-20 X .50
17	56100393	1	Bushing
18	56250414	2	Bearing, Flange
19	56320595	2	Bushing .32x.50x.28
20	56601683	1	Plug - Cap
21	56362778	1	Knob
22	56367095	2	Collar, Shaft
23	56412198	1	Chain, Roller
24	56413211	2	Bearing, Flange .625 X .500 X .250
25	56413658	1	Ratchet, Steering Column
26	56454081	1	Universal Joint
27	56471148	1	Sprocket
28	56578222	1	Spring, Compression
29	56601060	1	Steering Wheel
30	56601163	1	Column Weldment
31	56601169	1	Upper Column Weldment
32	56601223	1	Shaft,Lower Steering
33	56601224	1	Shaft,Upper Steering
34	56601284	1	Steering Pawl Weldment
35	56601292	1	Pull Lever
36	56601484	1	Shroud, Lower Column
37	56601500	1	Boot, Steering

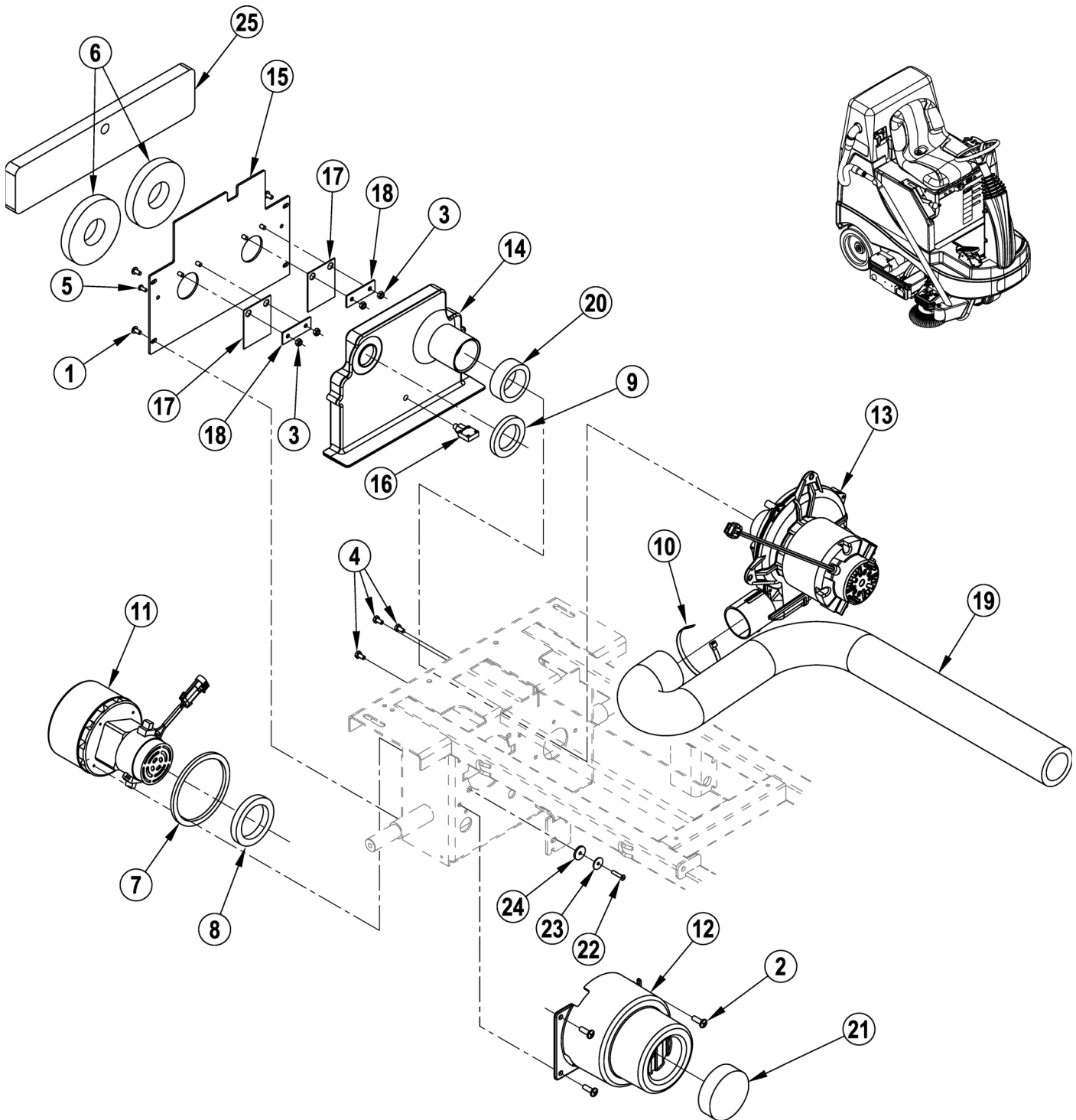
VACUUM FAN ASSEMBLY

09-10

22

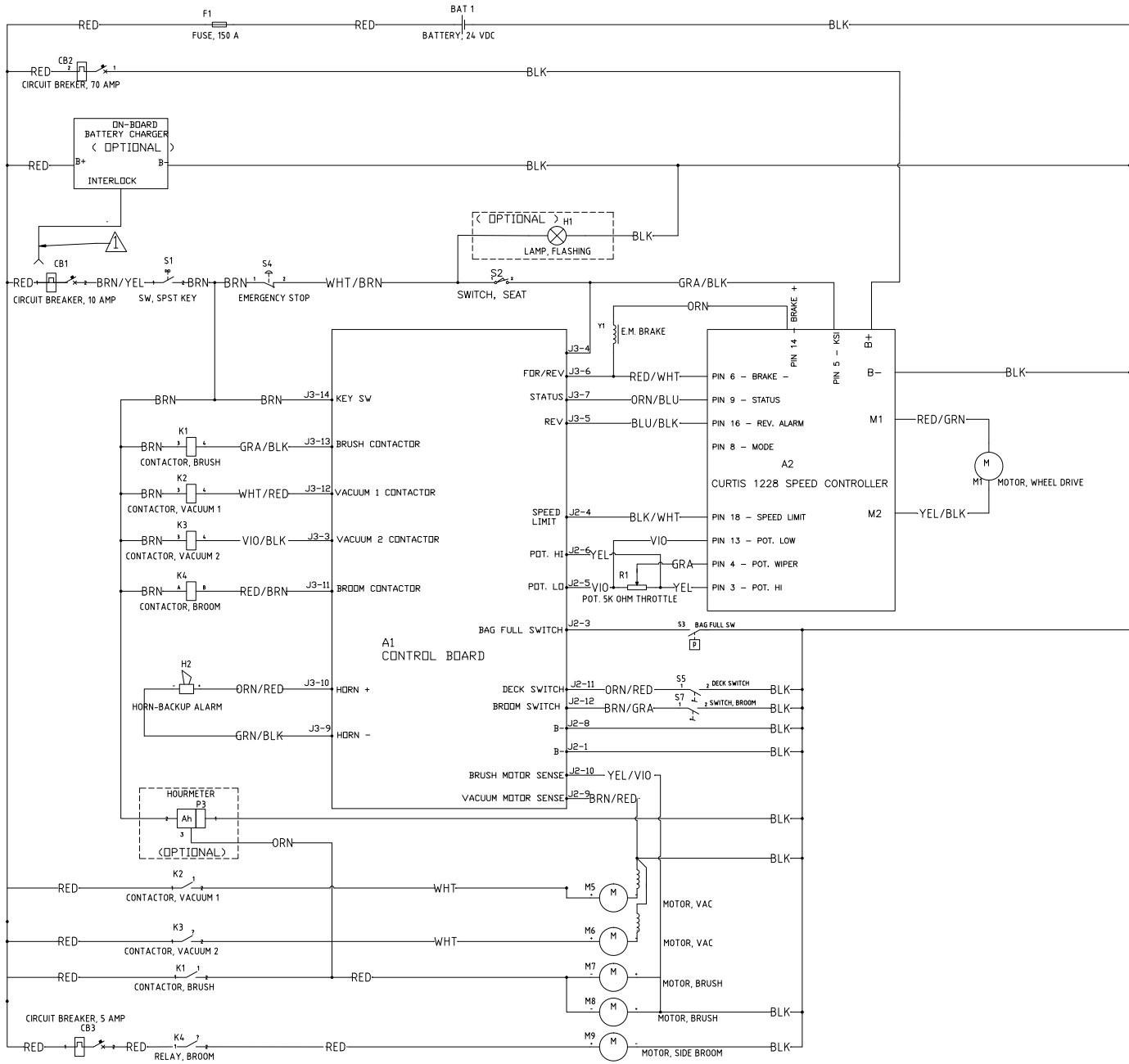
VacRide™ 3400, 3400C

10-1



Item	Ref. No.	Qty	Description
1	56002145	4	Scr, Pan Phil 1/4-20 X .50
2	56002507	3	Scr, Pan Phil 1/4-20 X .75
3	56002840	5	Nut, Hex Nyl Loc-Thin 1/4-20
4	56003812	3	Scr, Hex Type 25 1/4-14 X 1.00
5	56009191	2	Scr, Pan Phil Plastite 10-14 X .50
6	56602261	2	Gasket
7	56212143	1	Gasket, Vacuum Duct
8	56314760	1	Gasket, Vacuum Duct
9	56397307	1	Gasket, Vac
10	56477613	1	Tie, Cable
11	56601132	1	Motor, Vac 24vdc (M6)
[]	56397098	1	Carbon Brush Set Of 2
12	56602018	1	Cover Vac Motor
13	56602038	1	Motor Vac 24v Tang (M5)
[]	56602136	1	Carbon Brush Set Of 2
14	56602039	1	Panel Vac
15	56602040	1	Cover Vac Panel
16	56602048	1	Switch Vacuum (S3)
17	56602074	2	Flapper
18	56602112	2	Strap
19	56602147	1	Foam Tube Assy
20	56602240	1	Gasket
21	9096672000	1	Filter
22	962954	4	Screw, 10-16 X 1, P.H. Hi-Lo.
23	56009096	4	Wsh, Flt .193 X .875 X .060
24	56111384	4	Bushing
25	56602247	1	Foam Pad

[] = Not Shown



Item	Ref. No.	Qty	Description
A1	56602105	1	Interface Panel Assembly
A2	56601061	1	Controller, Speed
BAT	N/A		Battery
CB1	56507644	1	Circuit Breaker, 10 Amp
CB2	56454429	1	Circuit Breaker, 70 Amp
CB3	56315255	1	Circuit Breaker, 5 Amp
F1	56412089	1	Fuse, 150 Amp
H1	56307166	1	Beacon, Warning (optional)
H2	56412177	1	Horn/Backup Alarm
K1	56412179	1	Contactora, 24 Vdc
K2	56601183	2	Contactora 24v, 100 Amp
K3	56601183	2	Contactora 24v, 100 Amp
K4	56396286	1	Relay,Spst, 24v
M1	56601050	1	Motor / Drive Wheel
M5	56602038	1	Motor Vac 24v Tang
M6	56601132	1	Motor, Vac 24vdc
M7	56315061	2	Motor-24 Vdc .5 Hp 1800 Rpm TSBUS2010-1058
M8	56315061	2	Motor-24 Vdc .5 Hp 1800 Rpm TSBUS2010-1058
M9	1464152000	1	Reduction Gearmotor 90- Right/24v
R1	N/A	1	Part of Footpedal Assy 56601052
S1	56303553	1	Ket Switch
S2	7-82-00050	1	Switch
S4	56407130	1	Disconnect, Emergency
S5	56305053	1	Sensor, Proximity
S7	56172088	1	Switch, Snap, Spst No
Y1	56601507	1	Brake, Electromagnetic
	56315124	1	Charger, On-Board 24v TSBUS2008-984

OPTIONAL KITS AND ACCESSORIES

09-10

26

VacRide™ 3400, 3400C

10-10

Item	Ref. No.	Qty	Description
Kits			
*	56397453	1	Kit-Battery Fill Indicator
*	7-03-04249	1	Kit-Seat Armrests
*	56602125	1	Kit-Warning Beacon
*	56602180	1	Kit-Vacuum Wand With Caddy
*	56422162	1	Kit-Seat Belt
*	56601527	1	Battery Watering Kit
*	56302198	1	Kit-Hour Meter
*	56315732	1	Quiq Programmer Kit
*	56602067	1	Kit, Battery Roll Out
*	56602233	1	Interface Panel Kit
*	56602142	1	Bag – Cloth NOTE 1
*	56330608	1	Clip – Bag NOTE 1
*	56602167	1	Disposable Bag – 6 Pack

Replacement parts for the kits listed above can be found on each kit's associated instruction sheet.

Brushes

*	56602053	1	Brush Assembly
*	56602119	1	Brush Sidebroom

Optional Batteries

*	56391391	4	Battery, 6V, 305A/H TSBUS2008-984
*	56315959	4	Battery, 6V, 315A/H AGM TSBUS2008-984
*	56388582	4	Battery, 6V, 395A/H TSBUS2008-984

Optional Battery Chargers

*	56388109	A/R	Battery Charger, 24VDC, Auto, 25Amp, 120VAC/60HZ TSBUS2008-984
*	56412272	A/R	Battery Charger, 24VDC, Auto, 36Amp, 120VAC/60HZ TSBUS2008-984
*	56372203	A/R	Battery Charger, 24VDC, 20Amp, 230VAC/50HZ TSBUS2008-984
*	56412271	A/R	Battery Charger, 24VDC, 40Amp, 230VAC/50HZ TSBUS2008-984
*	56601095	A/R	Kit, On Board Charger, US TSBUS2008-984

Accessories

*	56409441	A/R	Programmer, 1311 User
*	56409823	A/R	Programmer Cable

*# **DELETED**

* = Optional, Not Included

= Revised or new since last update

NOTE 1: One Bag Clip, part no. 56330608, is required for use with Cloth Bag, part no. 56602142.



Advance

14600 21st Avenue North
Plymouth, MN 55447-3408

www.advance-us.com

Phone: 800-989-2235

Fax: 800-989-6566

©2010 Nilfisk-Advance, Inc.

A Nilfisk-Advance Brand