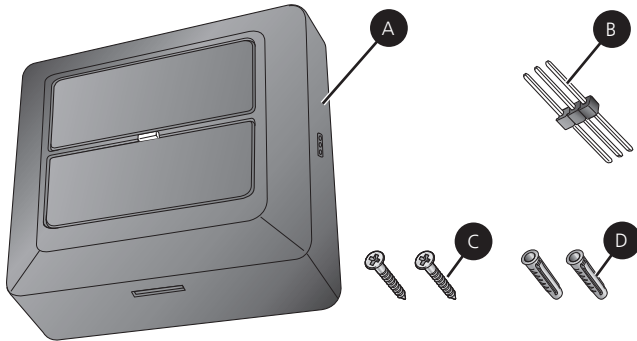


Wireless Wall Control Station

Command 133: 315 MHz

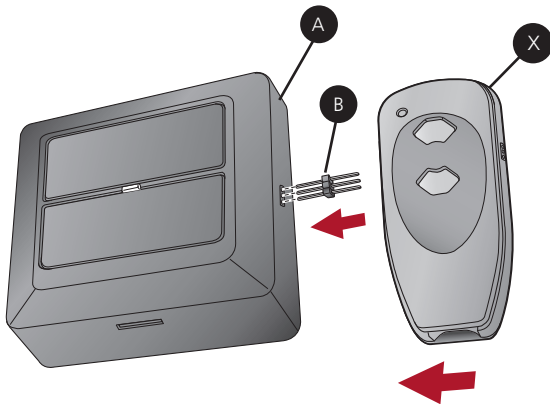


1 Package Contents

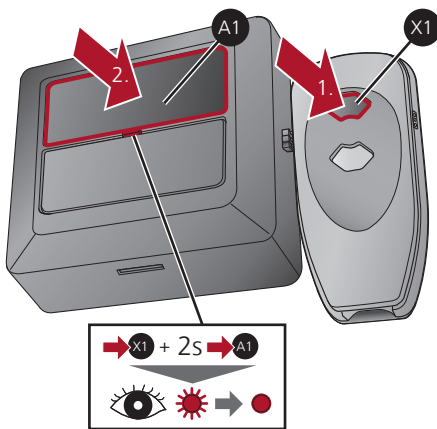


- A. Wall Control Station
- B. Programming Connector
- C. Screws
- D. Anchors

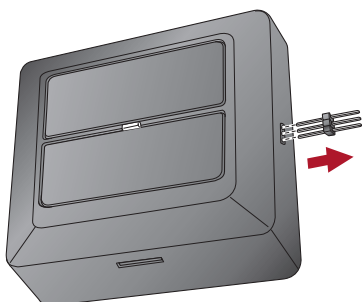
2 Programming



Connect transmitter (X) and wall control station (A) by using the programming connector (B).

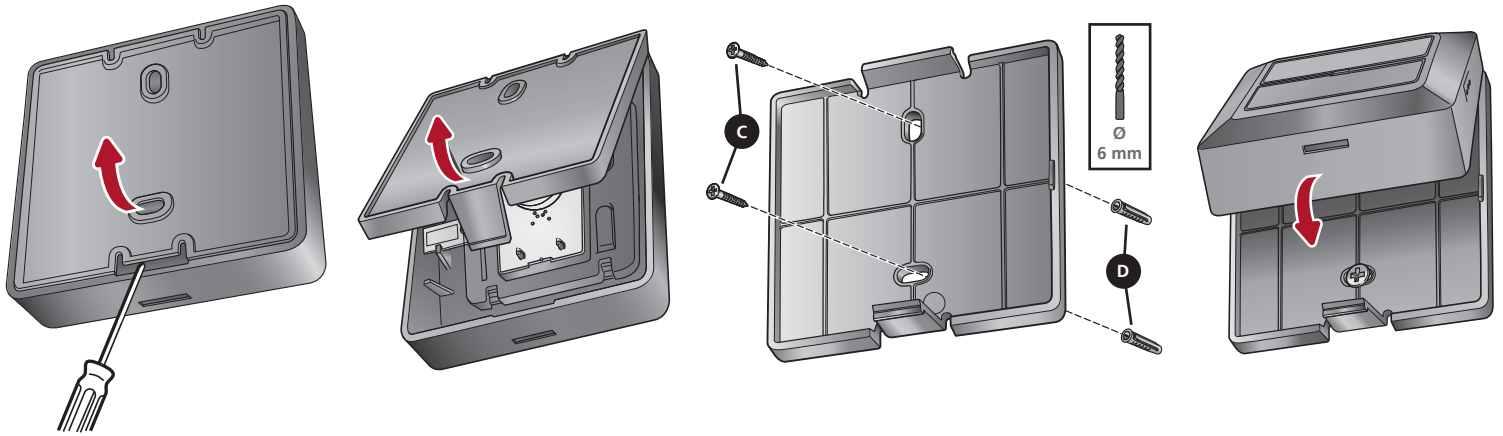


Press and hold the designated transmitter button (X1). The hand-held transmitter LED lights up. Then press and hold the desired button (A1) on your wireless wall control station (A). The transmitter LED flashes and lights up steady after 2 seconds. Release both buttons – programming is complete.

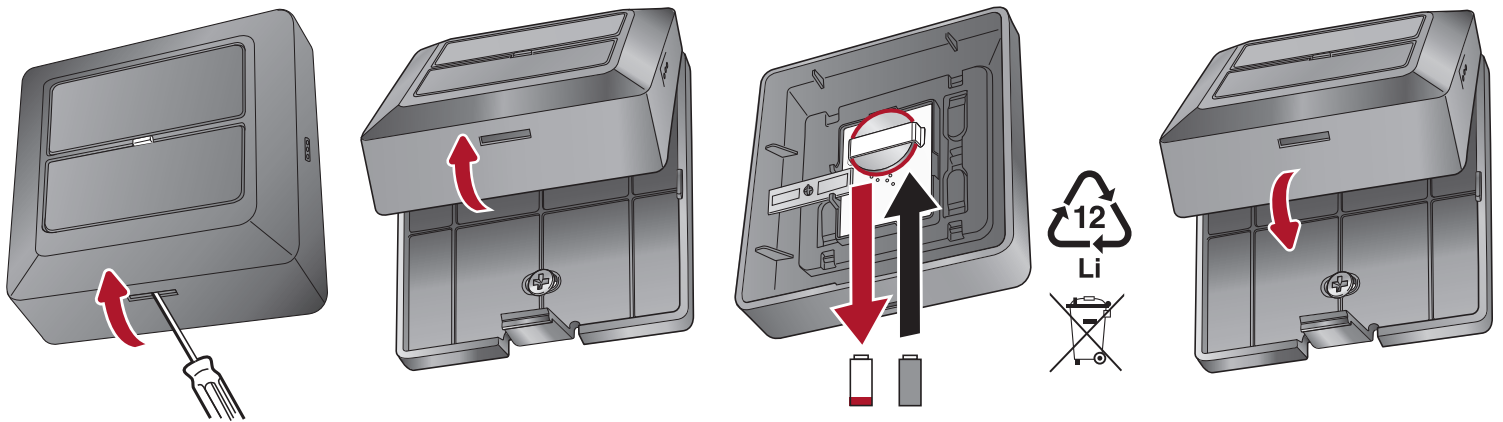


Disconnect transmitter and remove programming connector.

3 Mounting



4 Battery Replacement



Do not dispose batteries in household waste!

FCC Certified: This device complies with Part 15 of the FCC rules. Operation is subject to the following two conditions: (1) this device may not cause harmful interference, and (2) this device must accept any interference received, including interference that may cause undesired operation.

FCC § 15.21 (Warning Statement): Any changes or modifications not expressly approved by the party responsible for compliance could void the user's authority to operate the equipment.

CNR Certified: This device complies with Industry Canada licence-exempt RSS standard(s). Operation is subject to the following two conditions: (1) this device may not cause interference, and (2) this device must accept any interference, including interference that may cause undesired operation of the device.

Le présent appareil est conforme aux CNR d'Industrie Canada applicables aux appareils radio exempts de licence. L'exploitation est autorisée aux deux conditions suivantes: (1) l'appareil ne doit pas produire de brouillage, et (2) l'utilisateur de l'appareil doit accepter tout brouillage radioélectrique subi, même si le brouillage est susceptible d'en compromettre le fonctionnement.

WARNING

READ AND FOLLOW ALL WARNINGS AND INSTRUCTIONS CAREFULLY:

1. Locate the wireless wall control station: within sight of door, at a minimum height of 5 feet (1.5m) above the ground so small children cannot reach it, and away from all moving parts of the door.
2. Never let children operate or play with door controls.
3. Always keep the moving door in sight and away from people and objects until it is completely closed. **NO ONE SHOULD CROSS THE PATH OF THE MOVING DOOR.**
4. NEVER GO UNDER A STOPPED, PARTIALLY OPEN DOOR.