

EXHIBIT C

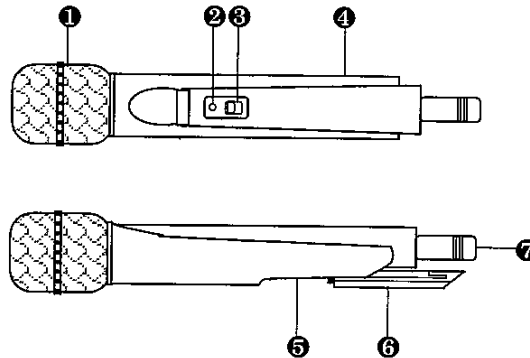
User Manual

MICROPHONE

UHF BAND WIRELESS MICROPHONE SYSTEM

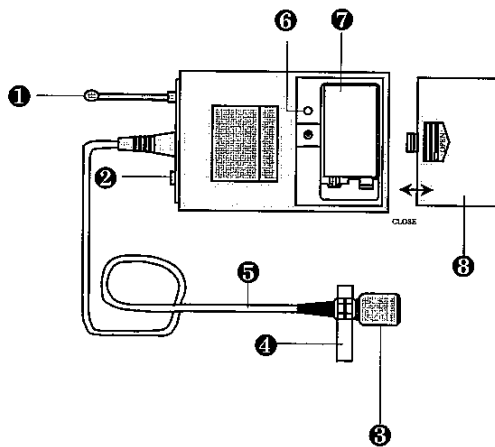
HANDHELD MICROPHONE

1. Screen Head
2. Low Battery Led Indicator
3. ON/OFF Switch
4. Mic Housing
5. Battery Housing
6. Battery Cover
7. Antenna



TIE CLIP MICROPHONE

1. ANTENNA
2. ON/STB/OFF Switch
3. Mic Unit
4. Tie Clip
5. Cable
6. Gain Adj.
7. 9V Battery
8. Battery Cover



NOTE

THE WIRELESS HANDHELD OR LAVALIER MICROPHONE, TWO OR ABOVE WIRELESS MICROPHONE WHICH TRANSMIT AT THE SAME FREQUENCY CAN NOT BE USED AT THE SAME TIME & AREA.

TROUBLE SHOOTING:

Please take time to read this manual before asking after service, and check following points. If it also has unusual things please contact with purchasing store. We are sincerely to serve for you.

1. Before connecting and operating the unit, check the voltage setting conforms to the voltage available in your area.
2. If the LED indicator on light means that power supply is in need of replacement. Please replace one new 9V battery and be sure the polarity(+)(-) of battery is connected properly.
3. Signal dropouts and noise may be suddenly encountered by interruption from outside, too long distance between microphone and receiver or battery in low power. In such a case, adjust receiver antenna or change new battery.
4. Do not drop the microphone on a hard concrete floor, nor strike the microphone head front with a fist or fingers, nor blow a breath strongly into the microphone head front.
5. Take out the battery in microphone if not used for a long time. This will prevent from the damage that a defective "leaking" battery may cause.



DESIGN AND SPECIFICATIONS SUBJECT TO BE CHANGED WITHOUT NOTICE.

440-U09-E

FEATURE

1. High sensitivity cardioid capsule for your professional use.
2. Special noise absorption parts inside the barrels, which eliminate switch shock noise and handling noise.
3. Frequency with quartz locked control.
4. Easy-opening battery compartment for quick battery replacement. Power by one 9V battery.
5. Low battery LED indicator.
6. The Lavalier microphone is easy for use clip on the belt & very light. It can be used with headset mic w/3.5mm screw type plug easily.

SPECIFICATION

* Carrier Frequency Range	: 433, 800, 900MHz, UHF band
* Tone Signal	: 32KHz (for tone squelch control)
* RF Power Output	: 30mW (MAX.)
* Spurious Emission	: Less than -43dB below carrier frequency.
* Frequency Stability	: Within 0.005% with quartz controlled
* Antenna	: Built in.
* Pre-Emphasis	: 50 μ S.
* AF Reponse	: 40Hz to 20KHz (+/-3dB)
* Maximum Deviation	: 15KHz within limiting compressor.
* Signal to Noise Ratio	: 60dB(A-Weighted).
* Microphone Capsule	: Uni-directional dynamic microphone or Uni-directional electret condenser microphone
* Operating voltage	: Handheld Mic. : DC1.5Vx2 (UM-3 type) Tie Clip Mic.: Standard 9V battery
* Current consumption	: About 45mA (Max.)
* Battery life	: Over 6~8 hours continuous operation by Alkaline Battery
* LED Indicator	: Power On-Off and low battery
* Dimensions	: Handheld Mic.: 55 ϕ (D) x 280(L) mm Tie Clip Mic.: 70(W)x106(L)x25(H) mm

OPERATION

1. Open the battery cover and insert battery into the battery house according (+) and (-) indication marked on the battery house.
2. Fit battery cover back.
3. Screw the Antenna on the transmitter.
4. Push the power switch ON, the LED indicator will flash to indicate the carrier frequency is sending out. The microphone is ready for use.
5. Switch the power "ON", the LED indicator flashing means that power supply is normal. If the LED indicate on light means that the battery is in need of replacement. If no flashing, it must be no battery in there or battery is not properly inserted.
6. Push the power button to "OFF" when mic is not used, and remove the battery in microphone if not used for a long time. This will prevent any damage a defective "leaking" battery may cause.
7. Using Tie Clip microphone, please screw the 3.5mm plug of lavalier mic on the 3.5mm jack of the transmitter.

