



STUNTSTERS™

ENG

Keep these instructions for future reference: they contain important information.

ESP

Guardar estas instrucciones para futura referencia, ya que contienen información de importancia acerca de este producto. LEA LAS INSTRUCCIONES ANTES DE USAR ESTE PRODUCTO.

F

Conserver ces instructions car elles contiennent des renseignements importants.

**U.S.A.
90-DAY LIMITED WARRANTY - TYCO® R/C PRODUCTS**

Mattel, Inc. warrants to the original consumer purchaser that this product will be free of defects in material and workmanship for ninety (90) days (unless specified in alternate warranties) from the date of purchase. Mattel will replace the product in the event of such a defect within the warranty period.

In the event of a defect covered under this warranty, first call the toll-free number listed below. Many problems can be solved in this manner. If necessary, you will be instructed to return the product, postage prepaid and insured, to the address below. Enclose your name, address, dated sales receipt, and a brief explanation of the defect. Replacement and return shipment will be free of charge.

This warranty does not cover damage resulting from unauthorized modification, accident, misuse or abuse. If the product is returned without a dated sales receipt the product may be excluded from coverage under this warranty.

Mattel's liability for defects in material and workmanship under this warranty shall be limited to replacement, and in no event shall we be responsible for incidental, consequential, or contingent damages (except in those states that do not allow this exclusion or limitation). This warranty is exclusive, and is made in lieu of any express or implied warranty. **Valid only in U.S.A.** This warranty gives you specific legal rights and you may have other rights, which vary from state to state. Some states do not allow the exclusion of incidental or consequential damages, so the above exclusions or limitations may not apply to you.

TOLL-FREE NUMBER: 1-888-557-TYCO (8926) (valid only in U.S.A.)
Hours: 8:00 A.M. - 5:00 P.M. Eastern Time; Monday - Friday. Expect some delay in January following the holiday season. Please be patient and keep trying the toll-free number.

ADDRESS FOR RETURNS: CONSUMER RELATIONS, 636 GIRARD AVENUE, EAST AURORA, NY 14052

ENG

ESP

F

Register your vehicle online! U.S. consumers may also register at the toll-free number below. Questions or problems with your vehicle? DON'T RETURN IT TO THE STORE! Just click or call.

¡Registre su vehículo en línea! O llámenos por teléfono para registrar su vehículo, marcando el número que aparece más abajo. Si tiene alguna pregunta o problema con el vehículo, NO DEVUELVA EL PRODUCTO AL LOCAL DONDE LO ADQUIRIÓ. Simplemente haga clic o llámenos.

Enregistrer le véhicule en ligne! Les consommateurs des États-Unis peuvent aussi enregistrer leur véhicule en composant le numéro sans frais ci-dessous. Des questions sur votre véhicule ou des problèmes? NE PAS LE RETOURNER AU MAGASIN! Il suffit de cliquer ou d'appeler.



tycorc.com
U.S.: 1-888-557-TYCO
CANADA: 1-800-665-6288
MÉXICO: 54-49-41-00



**CANADA
90-DAY LIMITED WARRANTY**

Mattel, Inc. warrants to the original consumer purchaser that this product will be free of defects in material and workmanship for ninety (90) days (unless specified in alternate warranties) from the date of purchase. If defective, return the product along with proof of the date of purchase, postage prepaid to Mattel Canada Inc., Consumer Service, 6155 Freemont Blvd., Mississauga, Ontario L5R 3W2 for replacement with an identical toy or a similar toy of equal or greater value according to availability. This warranty gives you specific legal rights and you may have other rights which vary from province to province. This warranty does not cover damage resulting from accident, misuse or abuse. **Valid for products sold in Canada only.**

YOU MAY CALL US FREE AT 1-800-665-6288 Monday - Friday, 8:00 a.m. - 5:00 p.m. EST; 5:00 a.m. - 2:00 p.m. PST.

**CANADA
GARANTIE LIMITÉE DE 90 JOURS**

Mattel garantit à l'acheteur initial que le produit est couvert contre les vices de matériau ou de fabrication pour une période de 90 jours (à moins d'indication contraire dans d'autres garanties) à compter de la date d'achat. Tout produit défectueux doit être retourné, accompagné d'une preuve de la date d'achat et dûment affranchi, au Service à la clientèle de Mattel Canada Inc., 6155, Freemont Blvd., Mississauga (Ontario) L5R 3W2, où il sera remplacé par un produit identique ou un produit semblable de valeur égale ou supérieure, selon la disponibilité. La présente garantie procure certains droits légaux à l'acheteur, qui peut également bénéficier de droits supplémentaires qui varient d'une province à l'autre. La présente garantie ne couvre pas les dommages occasionnés par un accident ou un usage abusif ou inapproprié. **Valable pour les produits vendus au Canada seulement.**

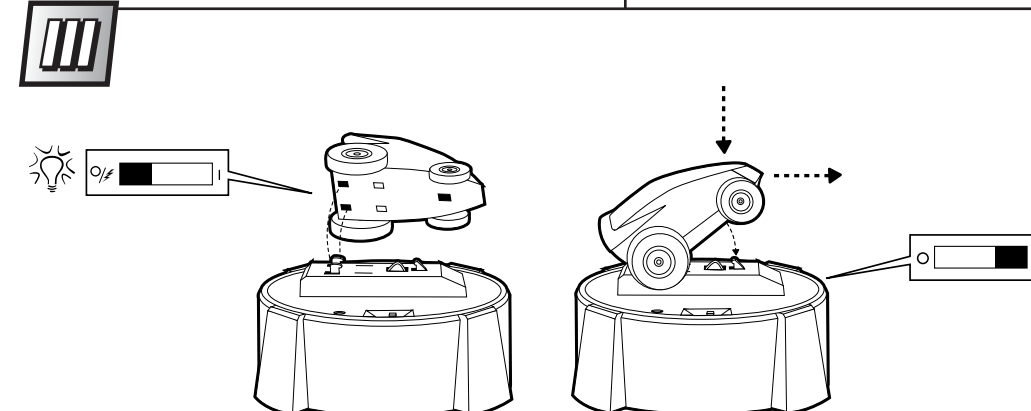
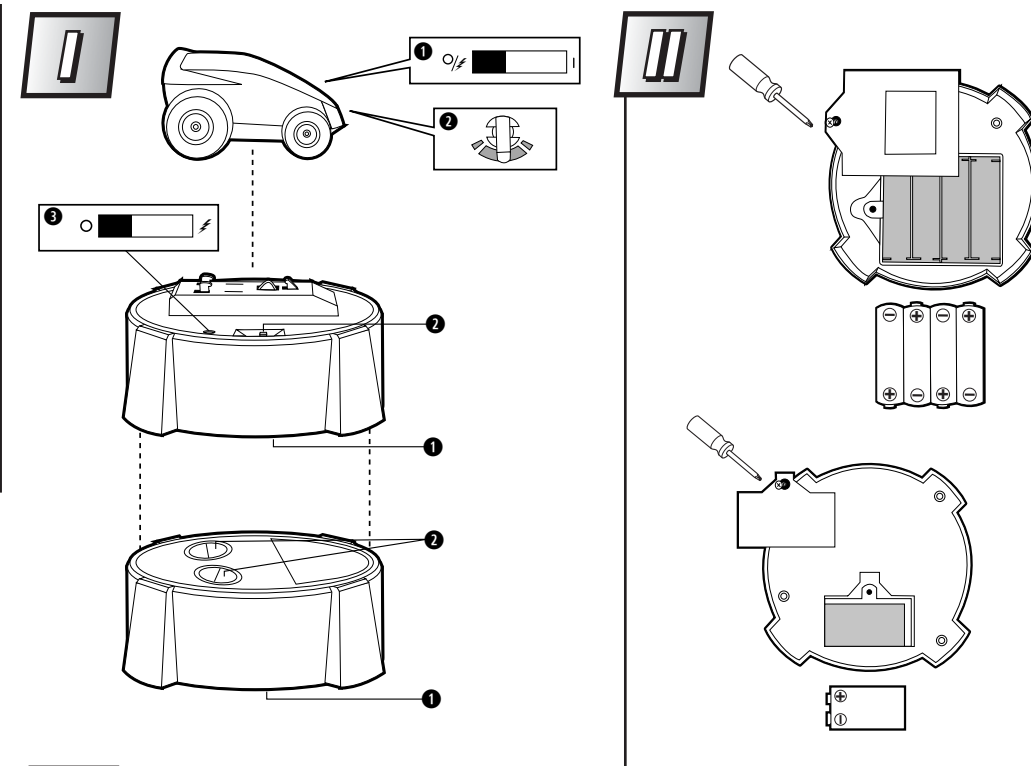
QUESTIONS OU COMMENTAIRES? COMPOSEZ SANS FRAIS LE 1 800 665-MATTEL (1 800 665-6288) du lundi au vendredi, de 8 h à 17 h (HNE) ou de 5 h à 14 h (HNP).

**MÉXICO
PÓLIZA DE GARANTÍA**

Mattel de México, S.A. De C.V., garantiza sus productos por un periodo de 90 días en todas sus partes y mano de obra, a partir de la fecha de entrega. Condiciones: 1.- El consumidor presentará el producto en el lugar donde lo adquirió y/o presentarlo o enviarlo a nuestro centro de servicio ubicado en Lebrija 296-a, Col. Cerro de la Estrella, Iztapalapa C.P. 09880, México, D.F. Tels: 426-44-87 y 426-44-38 2.- Durante la vigencia de esta póliza nos comprometemos a efectuar sin cargo la reparación, en un plazo que no excederá de 30 días a partir de la fecha de recepción del producto en nuestro centro de servicio, o al cambio del producto defectuoso en su caso. Así mismo cubrimos gastos que se deriven de la presenta garantía. 3.- Refacciones para este producto podrán ser adquiridas en nuestro centro de servicio. Esta garantía se invalida en los siguientes casos: si ha sufrido un deterioro esencial, grave o irreparable por causa del consumidor, por daños causados por maltrato, mal uso, golpes accidentales o intencionales, o que el artículo se hay expuesto a elementos

como agua (a excepción de que el instructivo indique otra cosa), ácidos, fuego, intemperie, así como daños causados por baterías que se dejen dentro del juguete por largos periodos de tiempo sin uso.

NOMBRE DEL CONSUMIDOR: _____
LÍNEA DE PRODUCTO: _____
SERIE: _____
MODELO: _____
NOMBRE DEL DISTRIBUIDOR: _____
DIRECCIÓN: _____
SELLO O FIRMA DEL DISTRIBUIDOR: _____
FECHA DE COMPRA: _____
FECHA DE ENTREGA: _____



COMPLIANCE WITH FCC REGULATIONS (VALID IN U.S. ONLY - VALABLE AUX E.-U. SEULEMENT)

This device complies with part 15 of the FCC Rules. Operation is subject to the following two conditions: (1) This device may not cause harmful interference, and (2) this device must accept any interference received, including interference that may cause undesired operation.

This device generates and uses radio frequency energy and if not used properly may cause interference to radio and television reception. It has been tested and found to comply with the limits set by the FCC which are designed to provide reasonable protection against such interference.

NOTE: Changes or modifications not expressly approved by the manufacturer responsible for compliance could void the user's authority to operate the equipment.

**RSS - 210 (Canada)
(VALID FOR CANADA ONLY - VALABLE AU CANADA SEULEMENT)**

This device complies with RSS-210 of Industry Canada. Operation is subject to the following two conditions: (1) this device may not cause harmful interference and (2) this device must accept any interference received, including interference that may cause undesired operation. Ce dispositif est conforme au CNR-210 d'Industrie Canada.

L'utilisation de ce dispositif est autorisée seulement aux conditions suivantes : (1) il ne doit pas produire de brouillage et (2) l'utilisateur du dispositif doit être prêt à accepter tout brouillage radioélectrique reçu, même si ce brouillage est susceptible de compromettre le fonctionnement du dispositif.

CNR-210 d'Industrie Canada	26.995 MHz TX RF = 78 dBµV/m @ 3m.
(CANADA SEULEMENT)	27.045 MHz TX RF = 78 dBµV/m @ 3m.



HOT ROCKER™

DRIVING/STUNTS • MANEJO/ACROBACIAS • CONDUITE ET CASCADES

