

Fisher-Price

DKT59

Keep this instruction sheet for future reference,  
as it contains important information.

**THINK & LEARN**

## CONSUMER ASSISTANCE

1-800-432-5437 (US & Canada)  
1300 135 312 (Australia)

**service.fisher-price.com**

Fisher-Price, Inc., 636 Girard Avenue, East Aurora, NY 14052.  
Hearing-impaired consumers: 1-800-382-7470.

### Outside the United States:

Canada: Mattel Canada Inc., 6155 Freemont Blvd.,  
Mississauga, Ontario L5R 3W2; www.service.mattel.com.

Great Britain: Mattel UK Ltd, Vanwall Business Park,  
Maidenhead SL6 4UB. Helpline: 01628 500303.  
www.service.mattel.com/uk

Mattel Europa B.V., Gondel 1, 1186 MJ Amstelveen, Nederland.

Australia: Mattel Australia Pty. Ltd., 658 Church Street,  
Locked Bag #870, Richmond, Victoria 3121 Australia.

New Zealand: 16-18 William Pickering Drive,  
Albany 1331, Auckland.



Protect the environment by not disposing of this  
product with household waste (2012/19/EU). Check  
your local authority for recycling advice and facilities.

Mattel Europa B.V. (located at Gondel 1, 1186 MJ Amstelveen,  
The Netherlands) hereby declares that this toy is in compliance  
with the essential requirements and other relevant provisions of  
Directive 1999/5/EC. A copy of the Declaration of Conformity may  
be obtained from Mattel Europa B.V. at the above address.

CE 0890



©2016 Mattel. All Rights Reserved.  
PRINTED IN CHINA

DKT59-0970-G1  
1100933773-DOM

2

### Remark:

Revision	Date	ID#	Changes
Primary - pr	03/31/2016	DKT39-0970-1100840936-DOM	NA
a	04/18/2016	DKT39-0970-G1-1100840936-DOM	update copy.

## Consumer Information



Requires three AAA (LR03) **alkaline** batteries (not included) for operation.



Battery installation is required. Only adults should install batteries. Tool required: Phillips screwdriver (not included).



Frequency: 130KHz  
Field Strength: 48dBuV/m @10m



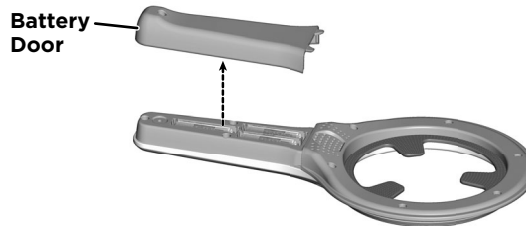
Wipe toy with a clean, damp cloth. Do not immerse. This toy has no consumer serviceable parts. Do not take apart.

## Tips and Hints

- Center Smart Scanner no more than 15,24 cm (6 inches) above a Smart Disk.
- Smart Scanner will not recognize a disk if the disks are stacked, placed too close to each other, or used near metal objects or on a metal surface. For best results, spread the Smart Disks out on the floor.
- If you lose a Smart Disk, press and hold the scan button to switch to a different activity.

3

## Battery Installation



- For longer life, use **alkaline** batteries.
- Loosen the screw in the battery compartment door and remove the door.
- Insert three, new AAA (LR03) **alkaline** batteries.
- Replace the battery compartment door and tighten the screw. Do not over-tighten.
- If this toy begins to operate erratically, you may need to reset the electronics. Slide the power switch off and back on.
- When sounds/lights become faint or stop, it's time for an adult to change the batteries.

### Battery Safety Information

In exceptional circumstances, batteries may leak fluids that can cause a chemical burn injury or ruin your product. To avoid battery leakage:

- Do not mix old and new batteries or batteries of different types: alkaline, standard (carbon-zinc) or rechargeable (nickel-cadmium).
- Insert batteries as indicated inside the battery compartment.
- Remove batteries during long periods of non-use. Always remove exhausted batteries from the product. Dispose of batteries safely. Do not dispose of this product in a fire. The batteries inside may explode or leak.
- Never short-circuit the battery terminals.
- Use only batteries of the same or equivalent type, as recommended.
- Do not charge non-rechargeable batteries.
- Remove rechargeable batteries from the product before charging.
- If removable, rechargeable batteries are used, they are only to be charged under adult supervision.

4

# 3 Ways to Play!



## LETTERS & WORDS

- **Explore:** Scan a disk to learn about it.
- **Letter Detector:** Listen for the prompt and find the disk with the letter on it.
- **Treasure Hunt:** Listen to the prompt and find an object on a disk.



## STORIES & MUSIC

- **Create Music:** Scan up to three disks to build a song. After about a minute, it's time for the next activity in this mode.
- **Write a Poem:** Scan a disk. Then listen to the prompts to add to your poem.
- **Create a Story:** Create a silly story by scanning disks just like you did in Write a Poem.



## GAMES

- Scatter the Smart Disks around the room for this mode!
- **Red Light-Green Light:** Scan as many disks as you can before time runs out. **You do not need to press the scan button in this activity.** How many disks did you scan?
  - **Beat-the-Clock:** Listen for the disk you need to find. Find it and scan it before time runs out.
  - **Follow-the-Leader:** Listen for each disk you need to find. How many did you find?

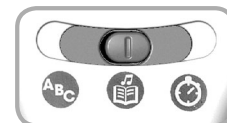
5



Press this button to start activities or scan Smart Disks



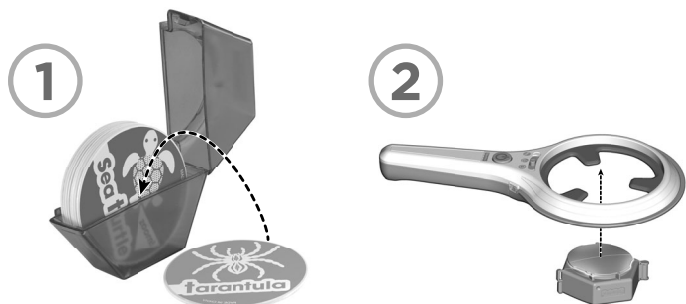
Slide the power switch ON ●. When finished playing, slide the switch OFF ○.



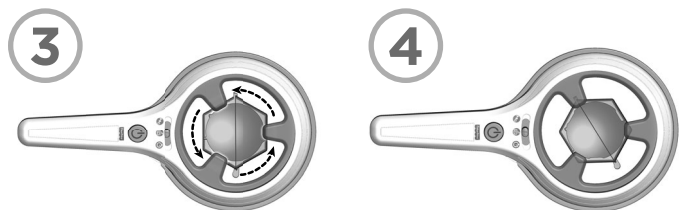
Slide the mode switch to: Letters & Words ●<sub>ABC</sub>, Stories & Music ●<sub>📖</sub>, or Games ●<sub>🕒</sub>.

6

## Using the Disk Case



- Fit the Smart Disks into the case and close the case.
- Turn the case over so the raised side is up. Match the indented areas on the case with the tabs on the Smart Scanner.



- Turn the case counter-clockwise.
- Smart Disks are stored and ready for play!

7

## FCC Statement

### (UNITED STATES ONLY)

This equipment has been tested and found to comply with the limits for a Class B digital device, pursuant to Part 15 of the FCC rules. These limits are designed to provide reasonable protection against harmful interference in a residential installation. This equipment generates uses and can radiate radio frequency energy and, if not installed and used in accordance with the instructions, may cause harmful interference to radio communications. However, there is no guarantee that interference will not occur in a particular installation. If this equipment does cause harmful interference to radio or television reception, which can be determined by turning the equipment off and on, the user is encouraged to try to correct the interference by one or more of the following measures:

- Reorient or relocate the receiving antenna.
  - Increase the separation between the equipment and receiver.
  - Consult the dealer or an experienced radio/TV technician for help.
- NOTE: Changes or modifications not expressly approved by the manufacturer responsible for compliance could void the user's authority to operate the equipment.

This device complies with Part 15 of the FCC Rules. Operation is subject to the following two conditions: (1) This device may not cause harmful interference, and (2) this device must accept any interference received, including interference that may cause undesired operation.

### CAN ICES-3 (B)/NMB-3 (B)

This device complies with Industry Canada licence-exempt RSS-210.

Operation is subject to the following two conditions: (1) this device may not cause interference, and (2) this device must accept any interference, including interference that may cause undesired operation of the device.

Ce dispositif est conforme à la norme CNR-210 d'Industrie Canada applicable aux appareils radio exempts de licence.

L'utilisation de ce dispositif est autorisée seulement aux conditions suivantes : (1) il ne doit pas produire de brouillage et (2) il doit pouvoir tolérer tout brouillage radioélectrique reçu, même si ce brouillage est susceptible de compromettre son fonctionnement.

8