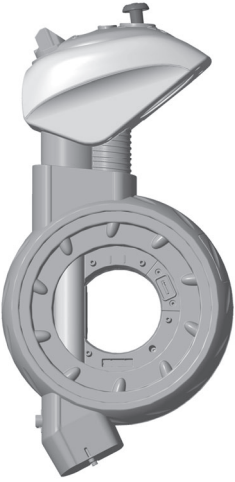




- Keep this owner's manual for future reference, as it contains important information.
- Requires four AA (LR6) **alkaline** batteries (not included) for operation.
- Age: 3-6 years.

- Maximum weight of child: 74 lb (36 kg)
- Always sit on the seat.
- Always wear shoes.
- Only one (1) rider at a time.
- This product is intended for indoor use only.
- Use **ONLY alkaline** batteries for longest battery life.
- Frequency: 2,4 Ghz

Parts



Frame



Tablet Stand



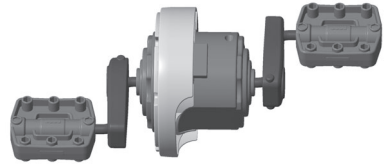
Handlebar



**2 Bases
(Front and Back)**

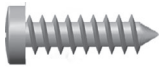


**Seat
Assembly**

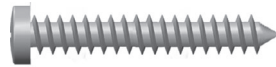


**Pedal
Assembly**

Adult assembly is required. Required tool:
Phillips screwdriver (not included).



M4,5 x 15 mm Screw - 8



M4,5 x 30 mm Screw - 2

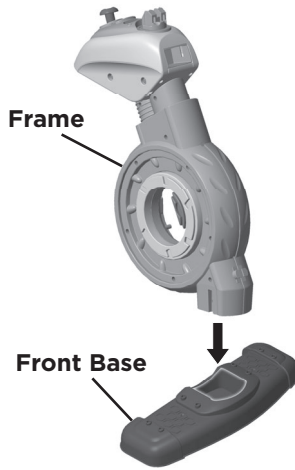


M8 x 76 mm Screw - 1

All Shown Actual Size

Note: Tighten and loosen all screws with a Phillips screwdriver.
Do not over-tighten.

Assembly



1

•Fit the frame to the front base.

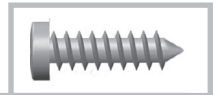
Hint: The frame is designed to fit the front base one way. If it does not seem to fit, try assembling it to the other base.



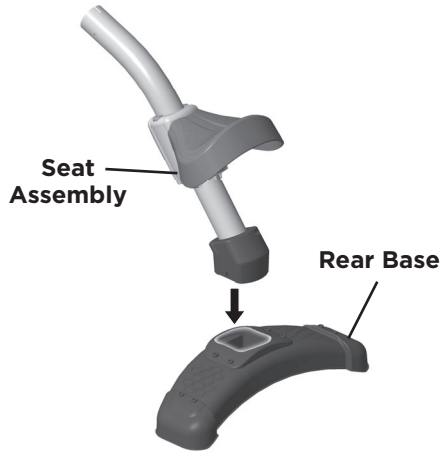
2

•Turn the assembly over.

•Insert two M4,5 x 15 mm screws into the front base and tighten.

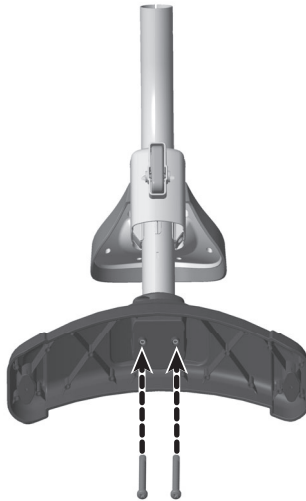


Assembly



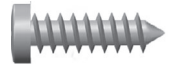
3

- Fit the seat assembly to the rear base.



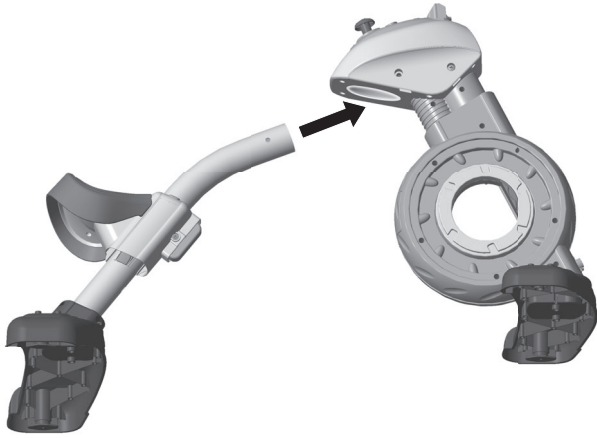
4

- Turn the assembly over.
- Insert two M4,5 x 15 mm screws into the rear base and tighten.

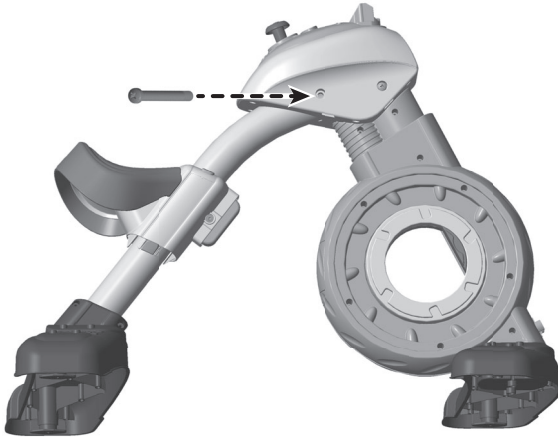


Assembly

5



- Fit the tube on the seat assembly into the large socket in the frame assembly.

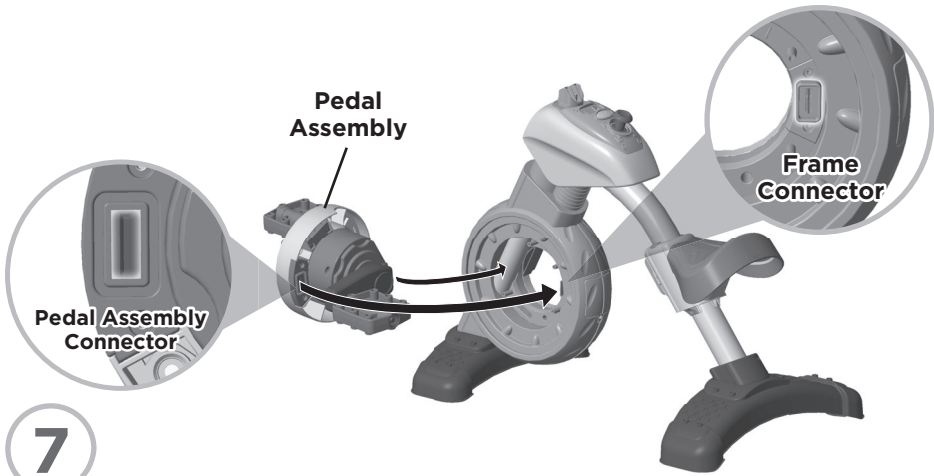


6

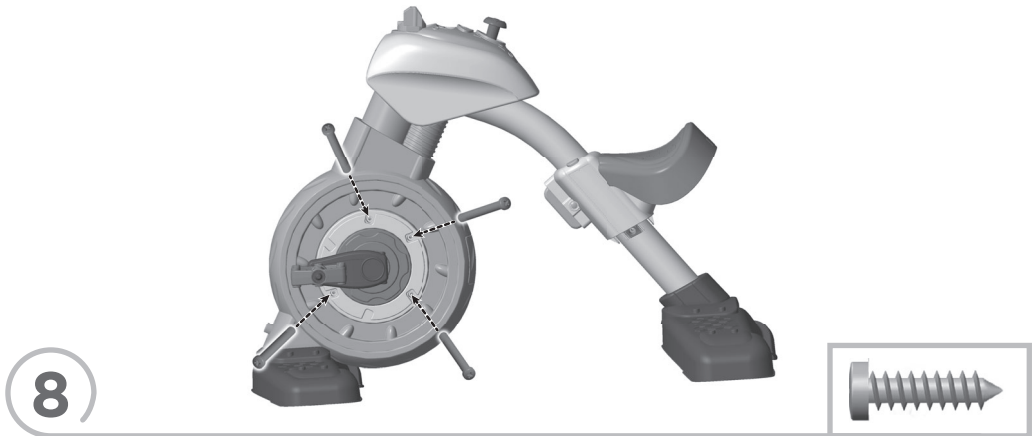


- Insert the M8 x 76 mm screw bolt into the frame and the seat assembly tube and tighten.

Assembly



- Fit the pedal assembly into the hole in the frame.
- Make sure the connector on the pedal assembly is fitted to the connector on the frame.



- Insert four M4,5 x 15 mm screws into the pedal assembly and tighten.

Assembly

Handlebar

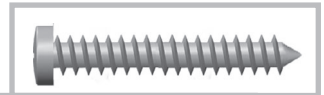


9

- Fit the handlebar to the collar on the front of the frame.



10



- Insert two M4,5 x 30 mm screws into the handlebar and tighten.
- Pull up on the handlebar to be sure it's secure to the front end of the toy.

Assembly



11

- Insert and "**snap**" the end of the device holder into the socket in the front of the product.
- To remove the device holder, simply push the buttons on each side of the base and pull to remove.

Battery Installation



- Locate the battery compartment on the front wheel. Loosen the screw and remove the door.
 - Insert four AA (LR6) **alkaline** batteries.
- Hint:** We recommend using **alkaline** batteries for longer battery life and proper function.
- Replace the battery compartment door and tighten the screw.
 - If this product begins to operate erratically, you may need to reset the electronics. Slide the power switch off and then back on.



- Protect the environment by not disposing of this product or any batteries with household waste. This symbol indicates that this product shall not be treated as household waste. Check your local authority for recycling advice and facilities.

Battery Safety Information

In exceptional circumstances, batteries may leak fluids that can cause a chemical burn injury or ruin your product. To avoid battery leakage:

- Do not mix old and new batteries or batteries of different types: alkaline, standard (carbon-zinc) or rechargeable (nickel-cadmium).
- Insert batteries as indicated inside the battery compartment.
- Remove batteries during long periods of non-use. Always remove exhausted batteries from the product. Dispose of batteries safely. Do not dispose of this product in a fire. The batteries inside may explode or leak.
- Never short-circuit the battery terminals.
- Use only batteries of the same or equivalent type, as recommended.
- Do not charge non-rechargeable batteries.
- Remove rechargeable batteries from the product before charging.
- If removable, rechargeable batteries are used, they are only to be charged under adult supervision.

Consumer Information



CONSUMER ASSISTANCE

1-800-432-5437 (US & Canada)
1300 135 312 (Australia)

 service.fisher-price.com

Fisher-Price, Inc., 636 Girard Avenue, East Aurora, NY 14052.
Hearing-impaired consumers: 1-800-382-7470.

Outside the United States:

Canada: Mattel Canada Inc., 6155 Freemont Blvd.,
Mississauga, Ontario L5R 3W2; www.service.mattel.com.

Great Britain: Mattel UK Ltd, Vanwall Business Park,
Maidenhead SL6 4UB. Helpline: 01628 500303.
www.service.mattel.com/uk

Mattel Europa B.V., Gondel 1, 1186 MJ Amstelveen, Nederland.

Australia: Mattel Australia Pty. Ltd., 658 Church Street,
Locked Bag #870, Richmond, Victoria 3121 Australia.

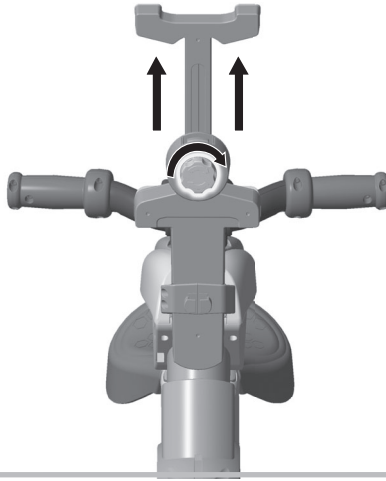
New Zealand: 16-18 William Pickering Drive,
Albany 1331, Auckland.

Care

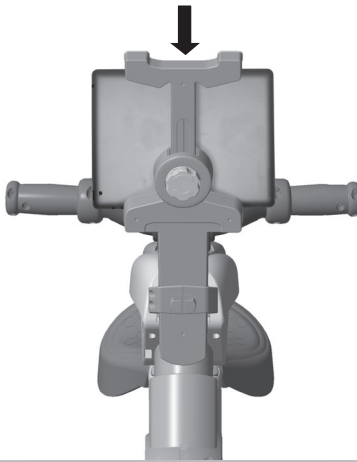
- Wipe with a clean cloth dampened with a mild soap and water solution. Do not use bleach. Do not use harsh or abrasive cleaners. Do not immerse.
- This product has no consumer serviceable parts. Do not take this product apart.
- Periodically check this product for wear and damage and replace any cracked part.



Attach Your Device

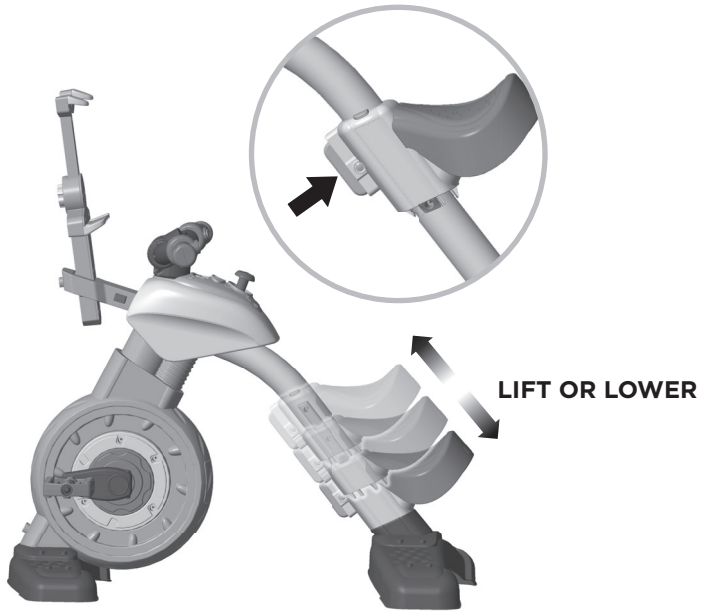


- Turn the dial on the front of the tablet stand and pull the upper bar up.



- Place your tablet on the stand and push the upper bar down to secure.
- To remove your tablet, turn the knob and lift the upper bar.

Adjust Seat Height



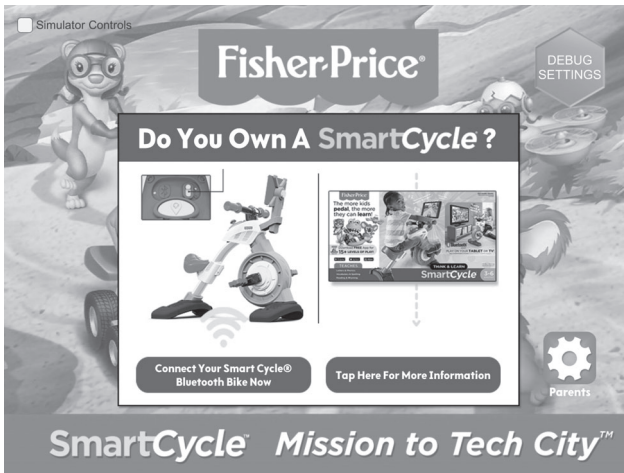
-
- While pressing the seat latch, lift or lower the seat to a comfortable height for your child.

Download FREE app

Pair Smart Cycle with Your Device

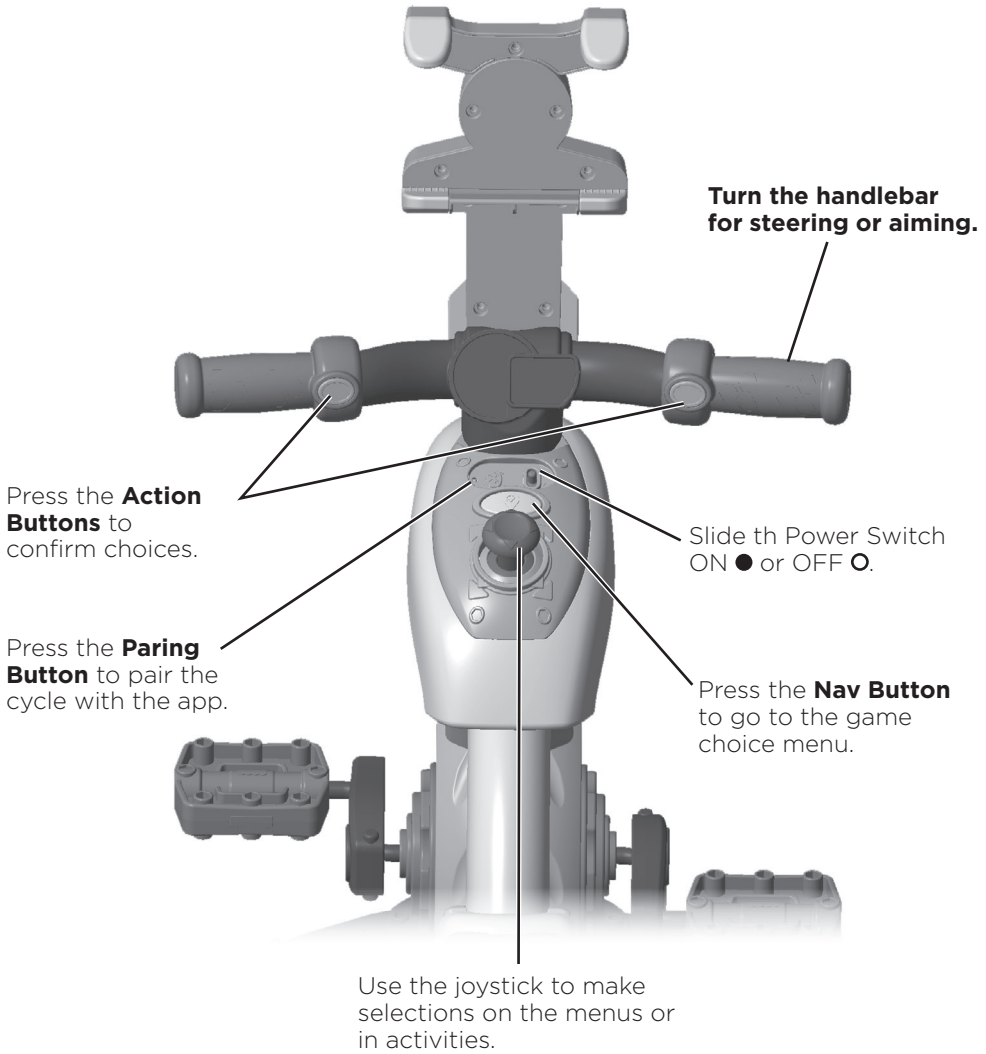


- Download the FREE Mission to Tech City™ app from the App Store, Google Play or Amazon.



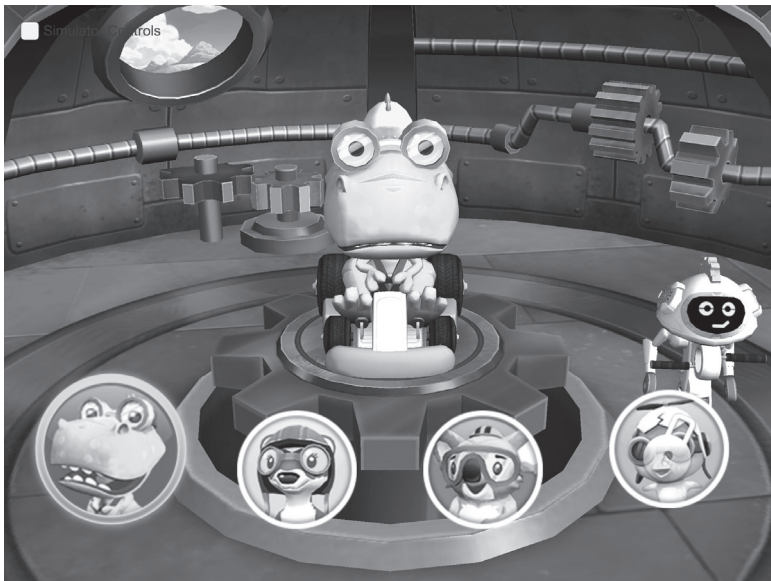
- Launch the app on your tablet or TV (a media streaming box is required for TV play).
- Touch or select the connect icon on the left.
- To pair your device with Smart Cycle, simply press the pairing button on the cycle until the app indicates you're connected.

Smart Cycle Controls





•Here's the home screen. Press either action button on the handlebar to play!



•First, choose a character. Use the joystick to see choices and then press a left or right handlebar button to select.



• It's time to practice using the controls. Follow Movi's directions and have fun!



• Awesome! You've completed your practice round and an opportunity to customize your character's vehicle. Use the joystick to highlight your choice and then press an action button on the handlebar to select.

Hint: Each time you complete a level, you'll get a decoration reward!



- When you press the Nav Button, you'll see this screen. You can change your destination or go home.



- Each destination has four games/activities. You'll need to complete the first game/activity to unlock the next game/activity. After you've completed all four games/activities, you'll graduate to the next level. Content complexity increases with each level.

Notice

READ THIS NOTICE BEFORE YOU OR YOUR CHILD USE ANY VIDEO GAME

I. Follow these precautions whenever using video games:

- Do not sit or stand too close to the television screen. Play as far back from the screen as possible.
- Do not play if you are tired or need sleep.
- Always play in a well lit room
- Be sure to take a 10 to 15 minute break every hour while playing.

II. Epilepsy warning

- A very small portion of the population have a condition which may cause them to experience epileptic seizures or have momentary loss of consciousness when viewing certain kinds of flashing lights or patterns that are commonly present in our daily environment. These persons may experience seizures while watching some kinds of television pictures or playing certain video games. Players who have not had any previous seizures may nonetheless have an undetected epileptic condition.
- If you or anyone in your family has experienced symptoms linked to an epileptic condition (e.g. a seizure or loss of awareness), immediately consult your physician before using any video games. We recommend that parents observe their children while they play video games. If you or your child experience any of the following symptoms: dizziness, altered vision, eye or muscle twitching, involuntary movements, loss of awareness, disorientation, or convulsions, DISCONTINUE USE IMMEDIATELY and consult your physician.

Is Your Device Compatible?

Apple® iPad®

iPad® Generation 3 & 4,
iPad® Air®, iPad® Air2, iPad® Pro™,
iPad® Pro 9.7, iPad® Mini™ (1, 2,
3 & 4) with iOS 7 and higher

Android™

Most Android tablets
with 5.1 (Lollipop) or higher

Amazon Fire

Kindle Fire HDX 8.9" (4th gen),
Fire HD 6", Fire (5th generation),
Fire HD 7", Fire HD 8" (2015),
Fire HD 8" (2016), Fire HD 10"

Apple TV®

4th generation

Amazon FireTV

2nd generation

Android TV™

Consumer Information

FCC Statement (UNITED STATES ONLY)

This equipment has been tested and found to comply with the limits for a Class B digital device, pursuant to Part 15 of the FCC rules. These limits are designed to provide reasonable protection against harmful interference in a residential installation. This equipment generates uses and can radiate radio frequency energy and, if not installed and used in accordance with the instructions, may cause harmful interference to radio communications. However, there is no guarantee that interference will not occur in a particular installation. If this equipment does cause harmful interference to radio or television reception, which can be determined by turning the equipment off and on, the user is encouraged to try to correct the interference by one or more of the following measures:

- Reorient or relocate the receiving antenna.
- Increase the separation between the equipment and receiver.
- Consult the dealer or an experienced radio/TV technician for help.

NOTE: Changes or modifications not expressly approved by the manufacturer responsible for compliance could void the user's authority to operate the equipment. This device complies with Part 15 of the FCC Rules. Operation is subject to the following two conditions: (1) This device may not cause harmful interference, and (2) this device must accept any interference received, including interference that may cause undesired operation.

CAN ICES-3 (B)/NMB-3 (B)

Operation is subject to the following two conditions: (1) this device may not cause interference, and (2) this device must accept any interference, including interference that may cause undesired operation of the device.

L'utilisation de ce dispositif est autorisée seulement aux conditions suivantes : (1) il ne doit pas produire de brouillage et (2) il doit pouvoir tolérer tout brouillage radioélectrique reçu, même si ce brouillage est susceptible de compromettre son fonctionnement.