

TROUBLESHOOTING GUIDE

Skateboard drives slowly or does not perform properly:

- The wheels on the skateboard may be dirty. Wipe them with a clean cloth.
- Reset the electronics on the skateboard by turning the ON (I)/OFF (O) switch to OFF (O) and then ON (I) again.
- Battery power in the skateboard may be weak. Replace the batteries in the skateboard with fresh, alkaline batteries.

Skateboard does not respond to the remote control:

- Reset the electronics on the skateboard by turning the ON (I)/OFF (O) switch to OFF (O) and then ON (I) again.
- Battery power in the remote control and the skateboard may be weak. Replace the batteries in the remote control and the skateboard with fresh, alkaline batteries.
- You may be beyond the maximum range (32 feet/10 meters) of the remote control. Move the remote control closer to the skateboard.

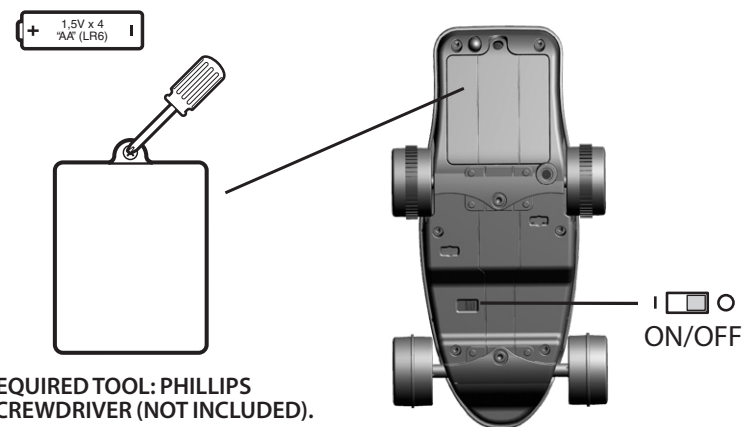
⚠ CAUTION: To prevent entanglement, keep hair away from wheels.

BATTERY INSTALLATION (Skateboard):

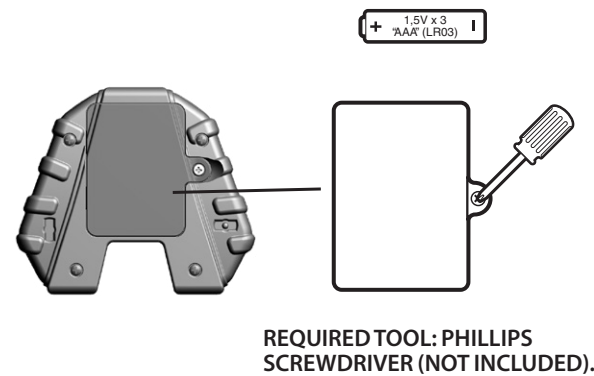
Unscrew and lift away cover from bottom of product. Install batteries as indicated inside the battery compartment. For longer life use only alkaline batteries. If the product begins to malfunction, check the battery installation. You may need to reset the electronics by removing the batteries and reinstalling them. If the product continues to malfunction or no longer operates, remove the batteries from the toy and replace them with fresh batteries. Requires 4 "AA" (LR6) battery.

BATTERY INSTALLATION (Remote control):

Unscrew and lift away cover from back of product. Replace batteries as indicated inside the battery compartment. Batteries included are for demonstration purposes only. For longer life use only alkaline batteries. If the product begins to malfunction, check the battery installation. You may need to reset the electronics by removing the batteries and reinstalling them. If the product continues to malfunction or no longer operates, remove the batteries from the toy and replace them with fresh batteries. Requires 3 "AAA" (LR03) batteries.



REQUIRED TOOL: PHILLIPS SCREWDRIVER (NOT INCLUDED).



REQUIRED TOOL: PHILLIPS SCREWDRIVER (NOT INCLUDED).

BATTERY SAFETY INFORMATION

- In exceptional circumstances batteries may leak fluids that can cause a chemical burn injury or ruin your product. To avoid battery leakage:
- Non-rechargeable batteries are not to be recharged.
 - Rechargeable batteries are to be removed from the product before being charged.
 - Rechargeable batteries are only to be charged under adult supervision.
 - Do not mix alkaline, standard (carbon-zinc), or rechargeable (nickel-cadmium) batteries.
 - Do not mix old and new batteries.
 - Only batteries of the same or equivalent type as recommended are to be used.
 - Batteries are to be inserted with the correct polarity.
 - Exhausted batteries are to be removed from the product.
 - The supply terminals are not to be short-circuited.
 - Dispose of battery(ies) safely.
 - Do not dispose of this product in a fire. The batteries inside may explode or leak.



Protect the environment by not disposing of this product or any batteries with household waste. This symbol indicates that this product shall not be treated as household waste. Check your local authority for recycling advice and facilities.

FCC STATEMENT (UNITED STATES ONLY)

This equipment has been tested and found to comply with the limits for a Class B digital device, pursuant to Part 15 of the FCC rules. These limits are designed to provide reasonable protection against harmful interference in a residential installation. This equipment generates uses and can radiate radio frequency energy and, if not installed and used in accordance with the instructions, may cause harmful interference to radio communications. However, there is no guarantee that interference will not occur in a particular installation. If this equipment does cause harmful interference to radio or television reception, which can be determined by turning the equipment off and on, the user is encouraged to try to correct the interference by one or more of the following measures:

- Reorient or relocate the receiving antenna.
- Increase the separation between the equipment and receiver.
- Consult the dealer or an experienced radio/TV technician for help.

NOTE: Changes or modifications not expressly approved by the manufacturer responsible for compliance could void the user's authority to operate the equipment. This device complies with Part 15 of the FCC Rules. Operation is subject to the following two conditions: (1) This device may not cause harmful interference, and (2) this device must accept any interference received, including interference that may cause undesired operation.

CAN ICES-3 (B)/NMB-3 (B)

This device complies with Industry Canada license-exempt RSS standard(s). Operation is subject to the following two conditions: (1) this device may not cause interference, and (2) this device must accept any interference, including interference that may cause undesired operation of the device. L'utilisation de ce dispositif est autorisée seulement aux conditions suivantes: (1) il ne doit pas produire de brouillage et (2) il doit pouvoir tolérer tout brouillage radioélectrique reçu, même si ce brouillage est susceptible de compromettre son fonctionnement.

CONSUMER ASSISTANCE
 1-800-432-5437 (US & Canada)
 1300 135 312 (Australia)
service.fisher-price.com

Fisher-Price, Inc., 636 Girard Avenue, East Aurora, NY 14052.
 Hearing-impaired consumers: 1-800-382-7470.

Outside the United States:
 Canada: Mattel Canada Inc., 6155 Freemont Blvd., Mississauga, Ontario L5R 3W2; www.service.mattel.com.
 Great Britain: Mattel UK Ltd, Vanwall Business Park, Maidenhead SL6 4UB, Hertsline: 01628 500303, www.service.mattel.com/uk
 Mattel Europa B.V., Gondel 1, 1186 MJ Amstelveen, Nederland.
 Australia: Mattel Australia Pty. Ltd., 658 Church Street, Locked Bag #870, Richmond, Victoria 3121 Australia.
 New Zealand: 16-18 William Pickering Drive, Albany 1331, Auckland.
 SOUTH AFRICA: Mattel South Africa (PTY) LTD, Office 102 13, 30 Melrose Boulevard, Johannesburg 2196.

Alvin and the Chipmunks, The Chipettes and Characters TM & © 2017 Bagdasarian Productions, LLC. All rights reserved. Agent: PGS HK Ltd. ©2017 Mattel. All Rights Reserved. * and ™ designate U.S. trademarks of Mattel, except as noted. **PRINTED IN CHINA.** Mattel East Asia Ltd., Room 503-09, North Tower, World Finance Centre, Harbour City, Tsimshatsui, HK, China. Tel.: (852) 3185-6500.

FDP28-0970
 1101489960-DOM-IS

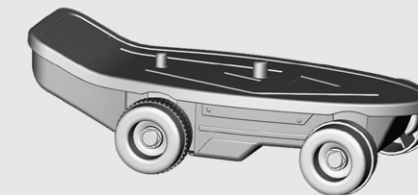
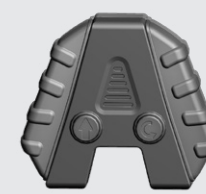


R/C SKATE TRICKS ALVIN

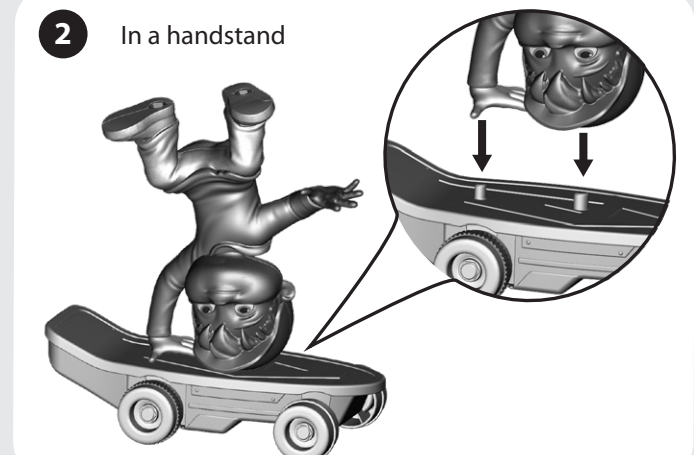
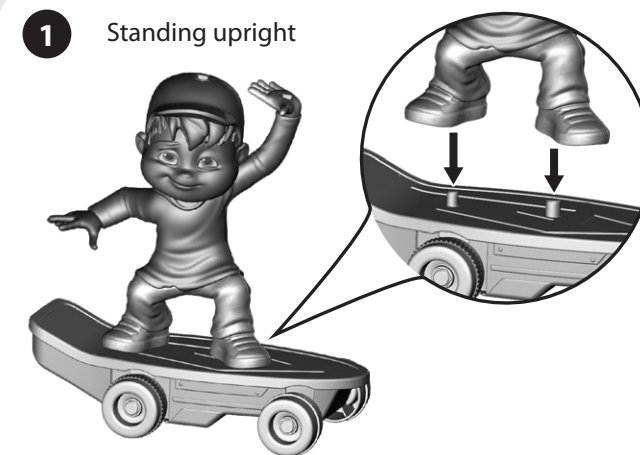
INSTRUCTIONS

Keep these instructions for future reference as they contain important information.

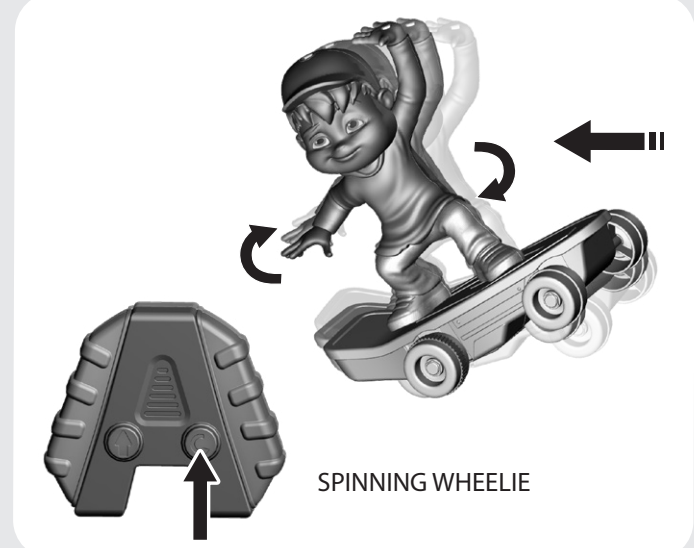
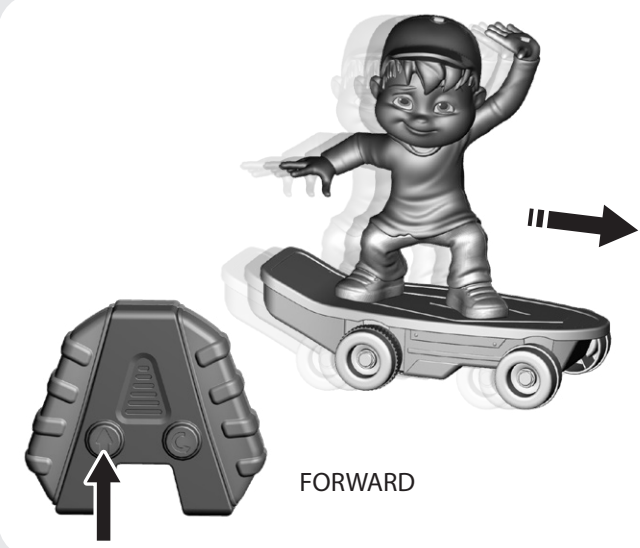
WHAT'S INCLUDED



HOW TO PLAY You can position Alvin 2 ways on the skateboard:



Press and hold the buttons on the remote control to send Alvin riding on his skateboard.



NOTE: If you do not play with the skateboard for more than 10 minutes, the skateboard will automatically shut off to preserve battery life. To resume play, slide the power switch on the skateboard to OFF and then ON again.

NOTE: For best performance use on a hard, flat surface.

Item No : FDP28-0970
 1101489960-DOM-IS
 Size : 21cm x 29.7 cm
 Paper : 100% Recycled Paper, 70 gsm
 Color : Black + Black
 Date : 10, Mar. 2017 (Grace Ng)