



ASST. N4054  
P2804/P2805-0920

**CAUTION:** Surfaces may become hot and cause burns if electronics get wet. Do not operate vehicle through water or snow.

Keep these instructions for future reference as they contain important information.  
**IMPORTANT:** Please read all "Consumer Information" before operating your vehicle.

### GET STARTED!

Your Turbo Street Wheelie Cycle™ is a high performance motorcycle that allows you to pull off outrageous "one touch" stunts like wheelies and Turbo boost action. Plus, your Turbo Street Wheelie Cycle™ has a specialized stabilizer that that allows for maximum stability for your most radical stunts.

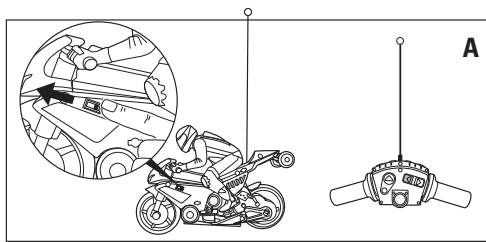
#### 1. GET SET!

Hold the Turbo Street Wheelie Cycle™ off the ground and rotate the right throttle control all the way.

Be sure to keep your fingers clear of the wheels at all times.

#### 2. LAUNCH IT!

Gently hand-launch your vehicle. Set it on the ground and give it a gentle push while rotating the right throttle control.



### I. CONTENTS/ FEATURES

- Turbo Street Wheelie Cycle™ Vehicle
- Transmitter

#### VEHICLE

- 1 Rider Figure (not removable)
- 2 ON/OFF Switch
- 3 Battery Latches
- 4 Battery Compartment

#### TRANSMITTER

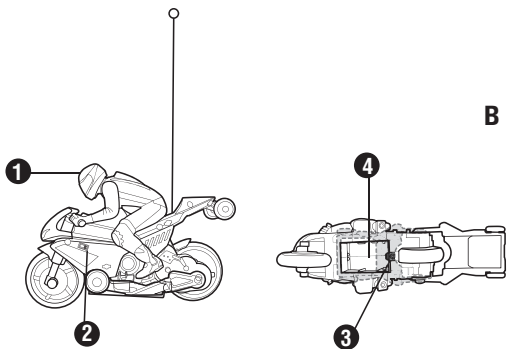
**NOTE:** Your Turbo Street Wheelie Cycle™ uses a unique transmitter with a sophisticated gravity switch to control your steering. Just turn your vehicle ON. Then tilt the Transmitter to steer. Tilt the transmitter to the left to turn left, Tilt right to turn right.

- 1 Forward Control (throttle)
- 2 cool stunts button
- 3 Forward / Light Flash Effects
- 4 Battery Compartment
- 5 Left / Light Flash Effects
- 6 Right / Light Flash Effects
- 7 Antenna

### II. QUICK START

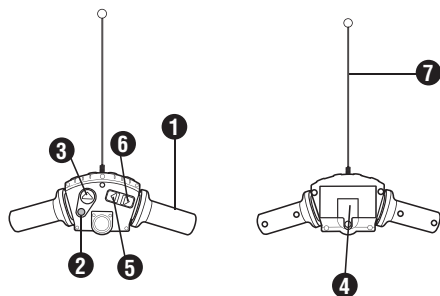
Please read this Owner's Manual thoroughly.

1. Start with a full charge.
2. Turn the vehicle switches to on. Rotate the Transmitter forward control to run and control your vehicle.
3. When you're done driving, turn vehicle ON/OFF to the OFF position. Remove all batteries for storage.



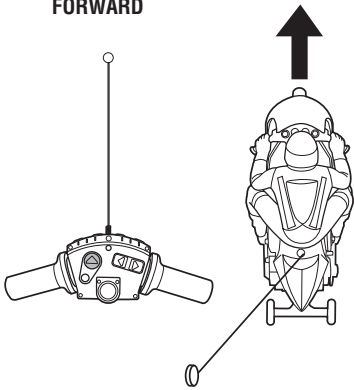
FRONT

BACK

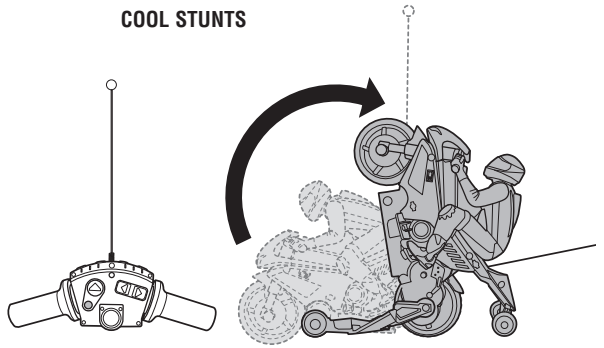


### III. OPERATION

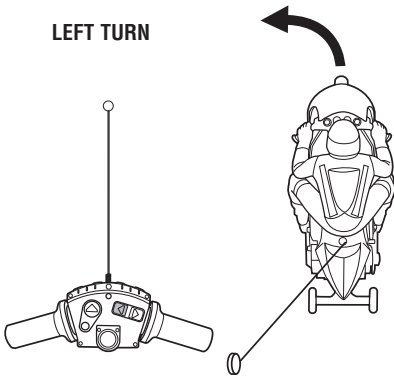
#### FORWARD



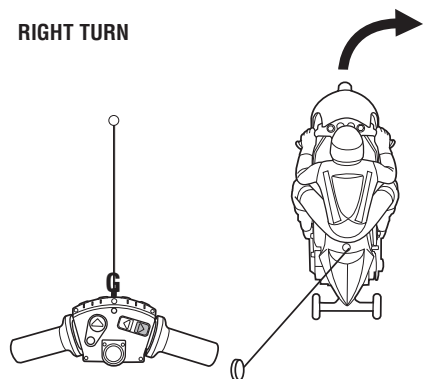
#### COOL STUNTS



#### LEFT TURN

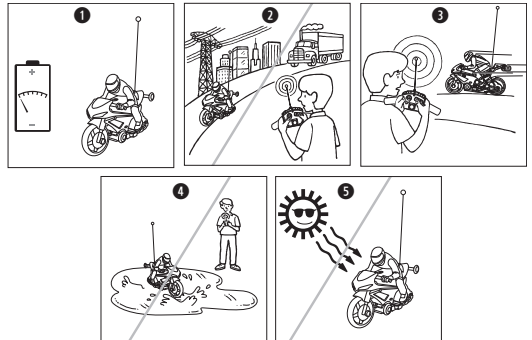


#### RIGHT TURN



### IV. QUICK TIPS

1. When your vehicle starts to lose power, it may lose functions or performance. It's time for fresh batteries (or a recharge). Your vehicle's running time may change depending on your driving style.
2. Radio interference can make your vehicle run poorly. Interference can be caused by other R/C vehicles running on the same frequency, electrical wires, large buildings, CB radios or other wireless gear. Try to stay away from these!
3. Point your transmitter antenna toward your vehicle. If your vehicle gets too far away, it won't work properly.
4. Don't drive your vehicle through water or snow. If your vehicle does get wet, wipe it with a towel and allow it to dry completely.
5. Don't store your vehicle near heat or in direct sunlight. Always turn switches OFF and remove all batteries for storage.



## V. BATTERY INSTALLATION


Requires 4 AA alkaline batteries for the vehicle and 2 AA alkaline batteries for the transmitter. Batteries not included.

### VEHICLE

1. Rotate the battery latches to open position. Open the battery door.
2. Plug the wire connector into the battery compartment as shown.
3. Insert the battery pack into the battery compartment as shown.
4. Close the battery door. Rotate the battery latches to the locked position.
5. To remove the battery pack: first turn the vehicle off, turn the latches on the battery compartment, open the battery door, unplug the wire connector and lift out the battery pack.

### TRANSMITTER

1. Open the battery door as shown.
2. Install 2 "AA" batteries inside the battery compartment as shown.
3. Close the battery door.

 Your transmitter is equipped with a special automatic ON battery-saving feature. Just turn your vehicle ON. Then push either transmitter control to run and control your vehicle.

### CONSUMER INFORMATION

Adults, this toy is recommended for children 8 years of age and older. To ensure that the child's play is both safe and fun, please review the operating instructions and these general safety rules with the child.

### Safety Tips

- NEVER drive your vehicle on streets! They're for real cars!
- DO NOT pick up vehicle while in motion.
- Keep fingers, hair and loose clothing away from the tires and the wheel hubs while the vehicle is switched ON.
- Adult supervision is recommended when this vehicle is being operated.
- To avoid accidental operation, remove all batteries when not in use. Always turn the vehicle OFF before removing batteries.

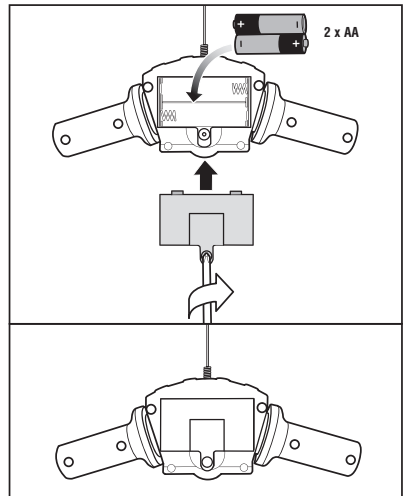
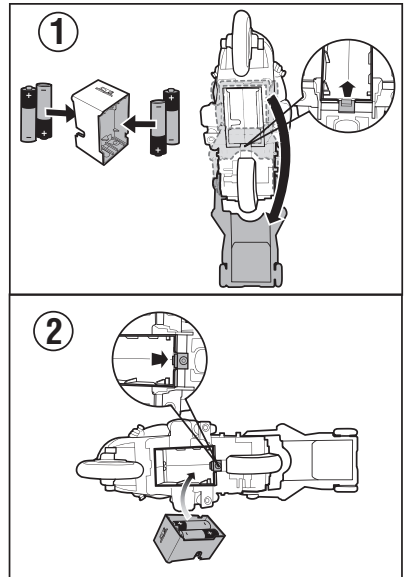
## VI. BATTERY SAFETY INFORMATION

In exceptional circumstances batteries may leak fluids that can cause a chemical burn injury or ruin your product. To avoid battery leakage:

- Non-rechargeable batteries are not to be recharged.
- Rechargeable batteries are to be removed from the product before being charged (if designed to be removable).
- Rechargeable batteries are only to be charged under adult supervision (if designed to be removable).
- Do not mix alkaline, standard (carbon-zinc), or rechargeable (NiMH) batteries.
- Do not mix old and new batteries.
- Only batteries of the same or equivalent type as recommended are to be used.
- Batteries are to be inserted with the correct polarity.
- Exhausted batteries are to be removed from the product.
- The supply terminals are not to be short-circuited.
- Dispose of battery(ies) safely.
- Do not dispose of this product in a fire. The batteries inside may explode or leak.

### Battery Performance Note:

For best performance use regular or high-performance alkaline batteries (where disposable batteries are called for). If your vehicle is supplied with standard (carbon-zinc) batteries for initial use and/or demonstration purposes, we recommend replacing them with alkaline batteries when necessary. Battery life may vary depending on battery brand.



 **CAUTION:** To prevent entanglement, keep hair away from wheels.



Protect the environment by not disposing of this product with household waste (2002/96/EC). Check your local authority for recycling advice and facilities.

## 90 DAY LIMITED WARRANTY – Tyco® R/C PRODUCTS

Mattel, Inc. warrants to the original consumer purchaser that this product will be free of defects in material and workmanship for ninety (90) days (unless specified in alternate warranties) from the date of purchase. Mattel will repair or replace the product, at our sole option, in the event of such a defect within the warranty period.

In the event of a defect covered under this warranty, first call the toll-free number listed below. Many problems can be solved in this manner. If necessary, you will be instructed to return the product, postage prepaid and insured, to the address below. Enclose your name, address, dated sales receipt, and a brief explanation of the defect. Repair or replacement, and return shipment, will be free of charge. Please return only the defective part or unit, packed securely.

This warranty does not cover damage resulting from unauthorized modification, accident, misuse or abuse. If the product is returned without a dated sales receipt, the product may be excluded from coverage under this warranty.

Mattel's liability for defects in material and workmanship under this warranty shall be limited to repair or replacement, at our sole option, and in no event shall we be responsible for incidental, consequential, or contingent damages (except in those states that do not allow this exclusion or limitation). This warranty is exclusive, and is made in lieu of any express or implied warranty. This warranty gives you specific legal rights and you may have other rights, which vary from state to state. Some states do not allow the exclusion of incidental or consequential damages, so the above exclusions or limitations may not apply to you.

TOLL-FREE NUMBER: 1-888-557-8926 - **Valid only in U.S.A.**

Hours: 8:00 A.M.-5:00 P.M. Eastern Time; Monday - Friday.  
Expect some delay in January following the holiday season.  
Please be patient and keep trying the toll-free number.

ADDRESS FOR RETURNS:  
CONSUMER RELATIONS  
636 GIRARD AVENUE  
EAST AURORA, NY 14052

**Valid only in U.S.A.**

### COMPLIANCE WITH FCC REGULATIONS (VALID IN U.S. ONLY).

This device complies with Part 15 of the FCC Rules.  
Operation is subject to the following two conditions:

(1) This device may not cause harmful interference, and (2) this device must accept any interference received, including interference that may cause undesired operation.



Hereby, Mattel declares that this toy is in compliance with the essential requirements and other relevant provisions of Directives 1999/5/EC, 2004/108/EC, 88/378/EEC. Suitable for use in all EU member states. A copy of the Declaration of Conformity may be obtained from Mattel UK Ltd.

© 2008 Mattel, Inc. All Rights Reserved. Mattel, Inc., 333 Continental Blvd., El Segundo, CA 90245 U.S.A. Consumer Relations 1-888-557-8926. Retain this address for future reference: • Mattel U.K. Ltd., Vanwall Business Park, Maidenhead SL6 4UB, Helpline 01628 500303. • Mattel Australia Pty Ltd., Richmond, Victoria 3121 - Consumer Advisory Service: 1300 135 312. • Mattel East Asia Ltd, Room 1106, South Tower, World Finance Centre, Harbour City, Tsimshatsui, HK, China. • Diimport & Diedarkan Oleh: Mattel SEA Ptd Ltd. (993532-P) Lot 13.5, Menara Lien Hoe, Persiaran Tropicana Golf Country Resort, 47410 P.J. Tel: 03-78803817, Fax: 03-78803867. service.mattel.com

• This equipment has been tested and found to comply with the limits for a Class B digital device, pursuant to part 15 of the FCC rules. These limits are designed to provide reasonable protection against harmful interference in a residential installation. This equipment generates, uses and can radiate radio frequency energy and, if not installed and used in accordance with the instructions, may cause harmful interference to radio communications. However, there is no guarantee that interference will not occur in a particular installation. If this equipment does cause harmful interference to radio or television reception, which can be determined by turning the equipment off and on, the user is encouraged to try to correct the interference by one or more of the following measures:

- Reorient or relocate the receiving antenna.
- Increase the separation between the equipment and receiver.
- Connect the equipment into an outlet on a circuit different from that to which the receiver is connected.
- Consult the dealer or an experienced radio/TV technician for help.

**NOTE:** Changes or modifications not expressly approved by the manufacturer responsible for compliance could void the user's authority to operate the equipment.