

U.S.A.  
90-DAY LIMITED WARRANTY  
TYCO® R/C PRODUCTS

Mattel, Inc. warrants to the original consumer purchaser that this product will be free of defects in material and workmanship for ninety (90) days (unless specified in alternate warranties) from the date of purchase. Mattel will repair or replace the product, at our sole option, in the event of such a defect within the warranty period.

In the event of a defect covered under this warranty, first call the toll-free number listed below. Many problems can be solved in this manner. If necessary, you will be instructed to return the product, postage prepaid and insured, to the address below. Enclose your name, address, dated sales receipt, and a brief explanation of the defect. Repair or replacement, and return shipment, will be free of charge. Please return only the defective part or unit, packed securely.

This warranty does not cover damage resulting from unauthorized modification, accident, misuse or abuse. If the product is returned without a dated sales receipt the product may be excluded from coverage under this warranty.

Mattel's liability for defects in material and workmanship under this warranty shall be limited to repair or replacement, at our sole option, and in no event shall we be responsible for incidental, consequential, or contingent damages (except in those states that do not allow this exclusion or limitation). This warranty is exclusive, and is made in lieu of any express or implied warranty. **Valid only in U.S.A.** This warranty gives you specific legal rights and you may have other rights, which vary from state to state. Some states do not allow the exclusion of incidental or consequential damages, so the above exclusions or limitations may not apply to you.

TOLL-FREE NUMBER: 1-888-557-TYCO (8926) (valid only in U.S.A.)

Hours: 8:00 A.M. - 5:00 P.M. Eastern Time: Monday - Friday. Expect some delay in January following the holiday season. Please be patient and keep trying the toll-free number.

ADDRESS FOR RETURNS: CONSUMER RELATIONS, 636 GIRARD AVENUE, EAST AURORA, NY 14052

CANADA  
90-DAY LIMITED WARRANTY

Mattel, Inc. warrants to the original consumer purchaser that this product will be free of defects in material and workmanship for ninety (90) days (unless specified in alternate warranties) from the date of purchase. If defective, return the product along with proof of the date of purchase, postage prepaid to Mattel Canada Inc., Consumer Service, 6155 Freemont Blvd., Mississauga, Ontario L5R 3W2 for replacement with an identical toy or a similar toy of equal or greater value according to availability. This warranty gives you specific legal rights and you may have other rights which vary from province to province. This warranty does not cover damage resulting from accident, misuse or abuse. **Valid for products sold in Canada only.**

YOU MAY CALL US FREE AT 1-800-665-6288 Monday - Friday, 8:00 a.m. - 5:00 p.m. EST; 5:00 a.m. - 2:00 p.m. PST.

CANADA  
GARANTIE LIMITÉE DE 90 JOURS

Mattel garantit à l'acheteur initial que le produit est couvert contre les vices de matériau ou de fabrication pour une période de 90 jours (à moins d'indication contraire dans d'autres garanties) à compter de la date d'achat. Tout produit défectueux doit être retourné, accompagné d'une preuve de la date d'achat et dûment affranchi, au Service à la clientèle de Mattel Canada Inc., 6155, Freemont Blvd., Mississauga (Ontario) L5R 3W2, où il sera remplacé par un produit identique ou un produit semblable de valeur égale ou supérieure, selon la disponibilité. La présente garantie procure certains droits légaux à l'acheteur, qui peut également bénéficier de droits supplémentaires qui varient d'une province à l'autre. La présente garantie ne couvre pas les dommages occasionnés par un accident ou un usage abusif ou inapproprié. **Valable pour les produits vendus au Canada seulement.**

QUESTIONS OU COMMENTAIRES? COMPOSEZ SANS FRAIS LE 1 800 665-MATTEL (1 800 665-6288) du lundi au vendredi, de 8 h à 17 h (HNE) ou de 5 h à 14 h (HNP).

MÉXICO  
PÓLIZA DE GARANTÍA

Mattel de México, S.A. De C.V., garantiza sus productos por un periodo de 90 días en todas sus partes y mano de obra, a partir de la fecha de entrega. Condiciones: 1.- El consumidor presentará el producto en el lugar donde lo adquirió y/o presentarlo o enviárselo a nuestro centro de servicio ubicado en Lebríja 296-a, Col. Cerro de la Estrella, Iztapalapa C.P. 09880, México, D.F. Tels: 426-44-87 y 426-44-38 2.- Durante la vigencia de esta póliza nos comprometemos a efectuar sin cargo la reparación, en un plazo que no excederá de 30 días a partir de la fecha de recepción del producto en nuestro centro de servicio, o al cambio del producto defectuoso en su caso. Así mismo cubrimos gastos que se deriven de la presente garantía. 3.- Refacciones para este producto podrán ser adquiridas en nuestro centro de servicio. Esta garantía se invalida en los siguientes casos: si ha sufrido un deterioro esencial, grave o irreparable por causa del consumidor, por daños causados por maltrato, mal uso, golpes accidentales o intencionales, o que el artículo se hay expuesto a elementos

como agua (a excepción de que el instructivo indique otra cosa), incendios, fuego, intemperie, así como daños causados por baterías que se dejen dentro del juguete por largos periodos de tiempo sin uso.

NOMBRE DEL CONSUMIDOR: \_\_\_\_\_

LÍNEA DE PRODUCTO: \_\_\_\_\_

SERIE: \_\_\_\_\_

MODELO: \_\_\_\_\_

NOMBRE DEL DISTRIBUIDOR: \_\_\_\_\_

DIRECCIÓN: \_\_\_\_\_

SELLO O FIRMA DEL DISTRIBUIDOR: \_\_\_\_\_

FECHA DE COMPRA: \_\_\_\_\_

FECHA DE ENTREGA: \_\_\_\_\_

COMPLIANCE WITH FCC REGULATIONS (VALID IN U.S. ONLY - VALABLE AUX E.-U. SEULEMENT) - protection against such interference.

THIS DEVICE COMPLIES WITH PART 15 FCC RULES. OPERATION OF THIS DEVICE IS SUBJECT TO THE FOLLOWING TWO CONDITIONS:

1. THIS DEVICE MAY NOT CAUSE HARMFUL INTERFERENCE.
2. THIS DEVICE MUST ACCEPT ANY HARMFUL INTERFERENCE THAT MAY CAUSE UNDESIRE OPERATION.

This device generates and uses radio frequency energy and if not used properly may cause interference to radio and television reception. It has been tested and found to comply with the limits set by the FCC which are designed to provide reasonable

**CAUTION:** Changes or modifications not expressly approved by the manufacturer responsible for compliance could void the user's authority to operate the equipment.  
RSS-210 (Canada)  
**(VALID FOR CANADA ONLY - VALABLE AU CANADA SEULEMENT)**

This device complies with RSS-210 of Industry Canada. Operation is subject to the following two conditions: (1) this device may not cause harmful interference and (2) this device must accept any interference received, including interference

that may cause undesired operation. Ce dispositif est conforme au CNR-210 d'Industrie Canada. L'utilisation de ce dispositif est autorisée seulement aux conditions suivantes: (1) il ne doit pas produire de brouillage et (2) l'utilisateur du dispositif doit être prêt à accepter tout brouillage radioélectrique reçu, même si ce brouillage est susceptible de compromettre le fonctionnement du dispositif.

CNR-210 d'Industrie Canada 27.145 MHz TX RF -XX.XX dBµV/m @ 3m.  
(CANADA SEULEMENT)



**CAUTION:** Surfaces may become hot and cause burns if electronics get wet. Do not operate vehicle through water or snow.

**PRECAUCIÓN:** Si las piezas electrónicas se mojan, es posible que las superficies se calienten y causen quemaduras. No usar el vehículo en agua ni nieve.

**MISE EN GARDE:** Les surfaces peuvent devenir chaudes et causer des brûlures si les composantes électroniques sont mouillées. Ne pas faire rouler ce véhicule sur des surfaces mouillées ou enneigées.

**AIR REBOUND™**

**ENG** 1 - 2

**OWNERS MANUAL**  
Keep these instructions for future reference as they contain important information.

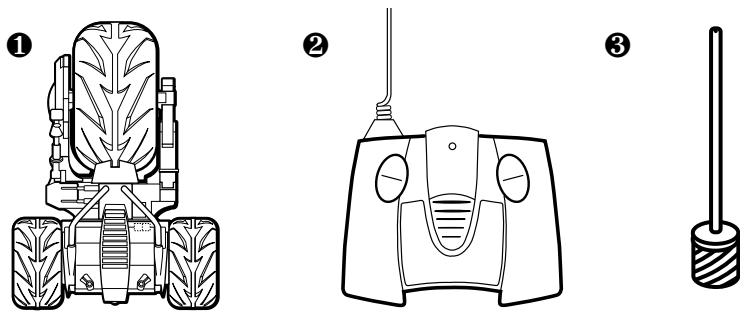
**ESP** 3 - 4

**MANUAL DEL USUARIO**  
Recomendamos guardar estas instrucciones para futura referencia, ya que contienen información importante.

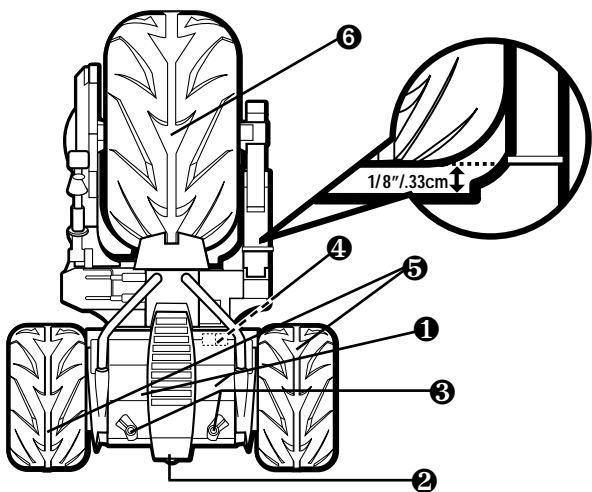
**F** 5 - 6

**GUIDE DE L'UTILISATEUR**  
Ce mode d'emploi contient des informations importantes. Conservez-le pour pouvoir vous y référer en cas de besoin.

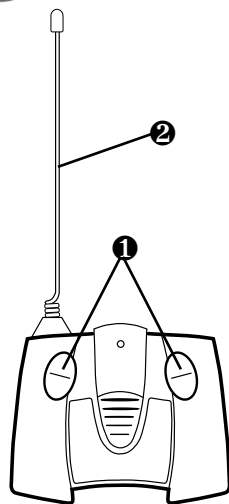
# I



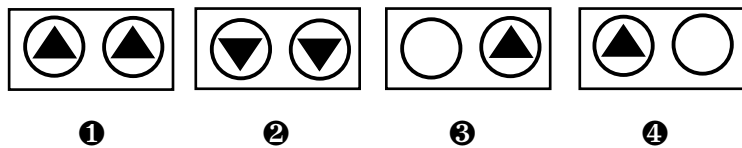
# II



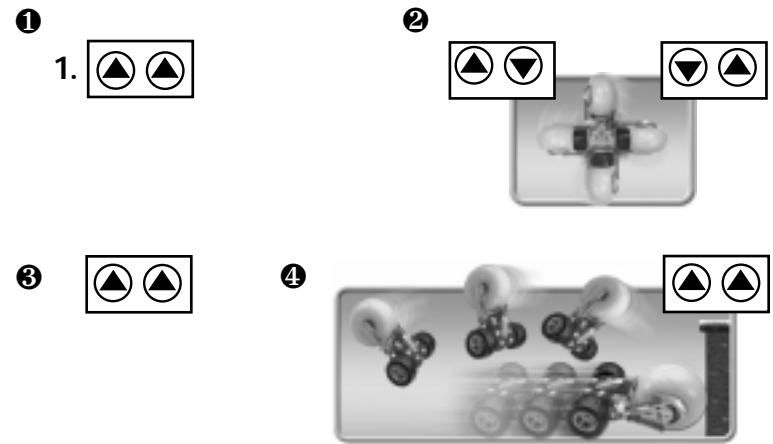
# III



# V



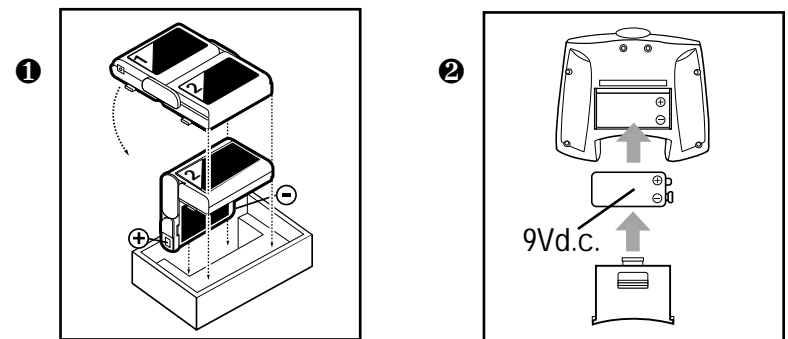
# VI



# VII



# IX





## I. CONTENTS

- ❶ AIR REBOUND™ Vehicle
- ❷ Transmitter
- ❸ Inflation Pin

## FEATURES

- Inflatable "turbo" tire
- Available in 2 frequencies (see label on vehicle and transmitter for frequency)
- Range up to 20m

## SMART CIRCUITRY

If your vehicle gets stuck or stalled, a special circuit will cut power to protect it. Just release the control sticks (reposition your vehicle if necessary). After a few seconds, you'll be ready to go again!

## II. VEHICLE

- ❶ 2 Powerful Motors
- ❷ Battery Compartment Cover
- ❸ Battery Compartment Latches (2)
- ❹ ON/OFF Switch
- ❺ Drive Wheels (2)
- ❻ Inflatable Turbo Tire

**NOTE:** Your vehicle's Turbo Tire may not be fully inflated when you take it out of the box. Use the included pin to inflate it.



Use only a hand pump to inflate the tire.



The tire is fully inflated when there's about 1/8" (33 cm) of clearance between the tire and the vehicle body. **DON'T OVERINFLATE IT!** If you overinflate the tire, it will rub against the vehicle body, preventing it from turning freely. If this happens, simply use the inflation pin to let air out of the tire until it returns to its proper size.



Be sure to keep the inflation pin, so you can reinflate the tire when necessary.

## III. TRANSMITTER

**NOTE:** Your transmitter is equipped with a special automatic ON battery-saving feature. Just turn your vehicle ON. Then push either transmitter button and you will be able to run and control your vehicle.

- ❶ Vehicle Controls
- ❷ Antenna

## IV. QUICK START

Please read this Owner's Manual thoroughly.

- ❶ Start with a full charge.
- ❷ Turn vehicle switch ON. Activate transmitter to run and control your vehicle.
- ❸ When you're done driving, turn vehicle switch OFF. Remove all batteries for storage.

## V. OPERATING YOUR VEHICLE

- ❶ FORWARD
- ❷ REVERSE
- ❸ WIDE LEFT TURN
- ❹ WIDE RIGHT TURN

## VI. AWESOME STUNTS!

This manual shows you how to do some of the most exciting stunts ever! Once you start driving your Air Rebound™ vehicle, you'll realize it can perform lots of other amazing stunts! So drive your vehicle, use your imagination, and come up with your own stunts! (Give 'em cool names too!)

### ❶ BASH & BOUNCE!

For amazing big-air stunts, drive your vehicle off a curb or ramp (don't exceed 4/1.2m in height). You can rotate the vehicle while it's in mid-air by pushing the transmitter buttons up or down. With a little practice, you'll be able to make the inflatable tire hit the ground first...for truly awesome bouncing action!



Try this stunt with the inflatable tire in front...and with the drive wheels in front.

### ❷ SUPER-FAST 360°s!

For wild 360° spins, just push the left button up and the right button down. For spins in the opposite direction, push the left button down and the right button up!



Your vehicle will do 360° spins on many different surfaces...but not on carpeting.

### ❸ WALL-CLIMBING ROLLOVER!

Position your vehicle with the inflatable tire touching the wall. Push both buttons up. Keep both buttons pressed all the way up. Your vehicle will roll over and then drive away from the wall.



THE VEHICLE COULD LEAVE MARKS ON THE WALL WHEN IT SLAMS AGAINST IT. USE CAUTION!



DON'T AIM YOUR VEHICLE AT PEOPLE, ANIMALS OR FRAGILE OBJECTS.

### ❹ HIT & FLIP!

Aim your vehicle at a low obstacle or wall (about 3-4\*76.5-10cm). Make sure the inflatable tire is pointing toward the obstacle. Push both buttons up to accelerate toward the obstacle. As you go over it, your vehicle will do all kinds of crazy flips.

### ❺ FLIP-OVERS!

Push both buttons down to drive in reverse. After you hit full speed, quickly release one of the buttons, then jam it up quickly. Your vehicle will do a cool flip-over!

## VII. QUICK TIPS

- ❶ When your vehicle starts to lose power, it may lose functions or performance. It's time for a recharge. Your vehicle's running time may change depending on your driving

- style.
- ❷ Radio interference can make your vehicle run badly. Interference can be caused by other R/C vehicles running on the same frequency; electrical wires; large buildings; or CB radios. Try to stay away from these!
- ❸ Hold the transmitter above waist level. If the antenna is too low, or touches other objects (including your body), your vehicle won't work properly. And your vehicle won't operate if it gets too far away.
- ❹ Don't drive your vehicle in sand or through water or snow. If your vehicle does get wet, wipe with a towel and allow to dry completely.
- ❺ Don't store your vehicle near heat or in direct sunlight. Always turn switches OFF and remove all batteries for storage.

## VIII. BATTERY CHARGING/CARE – TMI®

FOR DETAILED INFORMATION REGARDING VEHICLE BATTERY CHARGING AND SAFETY, PLEASE FOLLOW THE SPECIFIC INSTRUCTIONS THAT CAME WITH YOUR BATTERY PACK AND CHARGER.

## IX. BATTERY INSTALLATION

### ❶ VEHICLE

- Rotate the battery latches to open position and swing battery compartment door open.
- Make sure the FlexPak® battery pack is fully flat, so that the labels marked 1 and 2 are facing up, as shown.
- Insert the battery pack fully into the battery compartment as shown. Flip the bottom portion of the battery pack over, as shown (the label marked 2 will be facing out). Push the bottom portion down, as shown, to snap it into place.
- Swing battery compartment door closed and rotate battery latches to locked position.

Estimated run time for this vehicle: approximately 14 minutes

### ❷ TRANSMITTER

- To install transmitter battery, open battery door as shown.
- Install one 9V/6LR61 battery with polarity (+/-) as shown inside battery compartment.
- Close battery door.

## IMPORTANT TRANSMITTER BATTERY INFORMATION

- Insure that battery polarity is correct.
- Use only batteries of the type recommended (or equivalent).
- Do not mix old and new batteries.
- Do not mix alkaline, standard (carbon-zinc), or rechargeable (nickel-cadmium) batteries.
- Remove used-up batteries immediately. Remove batteries if vehicle will not be used for a long period.
- For best performance use alkaline batteries (where disposable batteries are called for). If your vehicle is supplied with standard (carbon-zinc) batteries for initial use and/or demonstration purposes, we recommend replacing them with alkaline batteries when necessary. Battery life may vary depending on battery brand.
- Do not recharge non-rechargeable batteries.
- Do not short-circuit terminals.
- Remove rechargeable batteries before recharging. Recharge batteries only under adult supervision.
- Dispose of batteries safely.



## X. SAFETY INFORMATION

Adults, this toy is recommended for children 8 years of age and older. To ensure that the child's play is both safe and fun, please review the operating instructions and these general safety rules with the child.

- NEVER drive your vehicle on streets! They're for real cars!
- DO NOT pick up vehicle while in motion.
- Keep fingers, hair and loose clothing away from the tires and the wheel hubs while the vehicle is switched ON.
- Adult supervision is recommended when this vehicle is being operated.
- To avoid accidental operation, remove all batteries when not in use.

## TROUBLESHOOTING: PROBLEM? - SOLUTIONS

SYMPTOM	PROBABLE CAUSE	CORRECTION
Vehicle runs slowly or will not run.	<ul style="list-style-type: none"> <li>• Loose battery connection or vehicle switch not ON.</li> <li>• Weak or uncharged rechargeable battery.</li> <li>• Weak transmitter battery.</li> </ul>	<ul style="list-style-type: none"> <li>• Check battery connector and vehicle switch.</li> <li>• Charge battery or replace.</li> <li>• Replace with fresh alkaline battery.</li> </ul>
Short battery life.	<ul style="list-style-type: none"> <li>• Battery not fully charged</li> </ul>	<ul style="list-style-type: none"> <li>• Recharge battery pack. For maximum running time, make sure you give your battery pack a full charge.</li> </ul>
Erratic operation or only short range possible.	<ul style="list-style-type: none"> <li>• Radio interference likely.</li> </ul>	<ul style="list-style-type: none"> <li>• Change location (see point 2 – Quick Tips).</li> </ul>
Vehicle doesn't work after going through water or snow.	<ul style="list-style-type: none"> <li>• Water in the electronics area.</li> </ul>	<ul style="list-style-type: none"> <li>• Vehicle will take several hours to dry. Allow to dry thoroughly overnight before trying again.</li> <li>• Operate your vehicle in a dry area. Avoid driving in water and snow.</li> </ul>

## I. CONTENIDO

- 1 Vehículo AIR REBOUND
- 2 Transmisor
- 3 Válvula de hinchado

## CARACTERÍSTICAS

- 1 Neumático hinchable "turbo"
- 2 Disponible en 2 frecuencias (comprobar frecuencia en la etiqueta del transmisor y del vehículo).
- 3 Radio de alcance: hasta 20 m

## DISPOSITIVO ESPECIAL "SMART CIRCUITRY"

Si el vehículo se queda bloqueado o atascado, un sensor especial que lleva incorporado cortará el suministro eléctrico para mayor seguridad. Soltar los mandos (y recolocar el vehículo si es necesario). Después de unos segundos, el vehículo volverá a estar listo para jugar.

## II. VEHÍCULO

- 1 2 Super Motores
- 2 Tapa del compartimento de la batería
- 3 2 Cierres de la batería
- 4 Interruptor de conexión/desconexión
- 5 2 Ruedas normales
- 6 Neumático hinchable "turbo"

**ATENCIÓN:** el neumático hinchable "turbo" puede no estar completamente hinchado al sacar el juguete de la caja. Hincharlo mediante la válvula incluida.



Utilizar exclusivamente una bomba de aire de mano para hincharlo.



El neumático está completamente hinchado cuando la distancia entre el mismo y la carrocería del vehículo es de unos 33cm. ¡NO HINCHARLO EN EXCESO! Si se hincha en exceso, el neumático rozará contra la carrocería y no girará libremente. Si esto ocurre, simplemente soltar un poco de aire del neumático mediante la válvula incluida, hasta que tenga el tamaño correcto.



No desechar la válvula; guardarla para volver a inflar el neumático cuando sea necesario.

## III. TRANSMISOR

**ATENCIÓN:** el transmisor viene equipado con un mecanismo de apagado automático para ahorrar pilas. Para activar el vehículo, poner el interruptor en la posición "ON" y pulsar uno de los dos mandos del transmisor, según la acrobacia que se quiera realizar.

- 1 Mandos del vehículo
- 2 Antena

## IV. EMPIEZA A JUGAR

Antes de empezar a jugar, recomendamos leer atentamente este manual.

- 1 Cargar las baterías completamente.
- 2 Activar el vehículo (interruptor en posición ON) y el transmisor, y dirigir el vehículo

mediante los mandos del transmisor.  
 1 Al terminar de jugar, apagar el vehículo (interruptor en posición OFF) y retirar las pilas/baterías para guardarlas.

## V. MODOS DE CONDUCCIÓN

- 1 MARCHA ADELANTE
- 2 MARCHA ATRÁS
- 3 GIRO HACIA LA IZQUIERDA
- 4 GIRO HACIA LA DERECHA

## VI. ¡INCREÍBLES ACROBACIAS!

En este manual te explicamos cómo hacer increíbles acrobacias con tu vehículo Air Rebound. Cuando empieces a jugar con él, descubrirás que se pueden hacer muchísimas acrobacias, aquí solo te detallamos algunas... ¡utiliza tu imaginación e inventa tus propias acrobacias!

### 1 ¡BOTA Y REBOTA!

Para hacer increíbles saltos, conduce tu vehículo por una curva o rampa y hazlo saltar te recomendamos (no sobrepasar los 4/7,2m de altura). Puedes hacerlo girar en el aire subiendo o bajando los mandos del transmisor. Con un poco de práctica, conseguirás que el neumático hinchable golpee primero el suelo... ¡verás cómo rebota!



Prueba a hacer esta acrobacia con el neumático hinchable en la parte delantera... y con las ruedas normales en la parte delantera.

### 2 ¡TORBELLINO!

Para que tu vehículo haga giros de 360° a toda velocidad, sube el mando izquierdo y baja el derecho. Para que gire en la dirección contraria, baja el mando izquierdo y sube el derecho.



Tu vehículo puede hacer giros de 360° sobre diferentes tipos de superficie... pero no sobre moqueta o alfombra.

### 3 ¡VUELTA CONTRA UNA PARED!

Sitúa tu vehículo con el neumático hinchable tocando una pared. Sube ambos mandos y manténlos así. El vehículo dará la vuelta apoyándose en la pared y luego se alejará de la misma.



EL VEHÍCULO PUEDE DEJAR MARCAS EN LA PARED AL GOLPEARLA. ¡UTILIZAR CON PRECAUCIÓN!



NO DIRIGIR EL VEHÍCULO CONTRA PERSONAS, ANIMALES U OBJETOS FRÁGILES.

### 4 ¡GIROS Y VUELTAS!

Dirige el vehículo hacia un obstáculo o pared de poca altura (aproximadamente de 6,5 cm. a 10 cm.), con el neumático hinchable en dirección hacia el obstáculo. Sube los dos mandos para que el vehículo acelere hacia el obstáculo. Cuando choque contra él, hará todo tipo de giros y vueltas.

### 5 ¡VUELTA DE CAMPANA!

Baja los dos mandos para conducir marcha atrás. Cuando el vehículo alcance la máxima

velocidad, suelta rápidamente uno de los mandos y luego súbelo deprisa. ¡El vehículo dará una vuelta de campana!

## VII. CONSEJOS DE CONDUCCIÓN Y SEGURIDAD

- 1 Cuando las baterías se empiecen a gastar, el vehículo puede no realizar bien todas sus funciones. En este momento se deben recargar las baterías o colocar nuevas baterías en el vehículo. La duración de las mismas puede variar según la manera de conducir.
- 2 Si el vehículo funciona de forma irregular, la causa más probable son las interferencias. Estas pueden ser debidas a la presencia de otro vehículo de radio control que opere en la misma frecuencia, cables de alta tensión, grandes edificios o frecuencias de radioaficionado. La mejor solución es elegir otro lugar para jugar con este vehículo.
- 3 Sujetar el transmisor a la altura de la cintura o por encima de ésta. Si la antena está demasiado baja o toca otros objetos (incluido el cuerpo de la persona que conduce el vehículo), el vehículo puede no funcionar bien. Asimismo, si el vehículo se aleja demasiado del transmisor, la señal se debilitará y el vehículo no funcionará correctamente.
- 4 Jugar con este vehículo en un área seca y amplia. No jugar nunca sobre arena, agua o nieve. Si el vehículo se moja por accidente, secarlo primero con una toalla y luego dejarlo secar unas horas, hasta que esté completamente seco.
- 5 No guardar el vehículo cerca de una fuente de calor ni en un lugar donde esté expuesto a la luz directa del sol. Para guardarlo, apagar todos los interruptores del vehículo y del transmisor y retirar las baterías.

## VIII. CARGA Y MANTENIMIENTO DE LA BATERÍA - TMH®

PARA OBTENER INFORMACIÓN DETALLADA SOBRE CÓMO CARGAR LAS BATERÍAS DEL VEHÍCULO Y LAS NORMAS DE SEGURIDAD, CONSULTE LAS INSTRUCCIONES ESPECÍFICAS INCLUIDAS CON EL PAQUETE DE BATERÍA Y EL CARGADOR.

## IX. COLOCACIÓN DE BATERÍAS/PILAS

### 1 VEHÍCULO

- Girar los cierres del compartimento de la batería hasta ponerlos en posición abierta y abrir la tapa del compartimento.
- Cerciorarse de que el paquete de batería quede plano, de modo que las etiquetas rotuladas 1 y 2 apunten para arriba, como se muestra.
- Introducir completamente el paquete de batería en el compartimento como se muestra. Voltar la parte inferior del paquete de batería, como se muestra (la etiqueta rotulada 2 apuntará para afuera). Empujar la parte inferior para abajo, como se muestra, para ajustarla en su sitio.
- Tapar el compartimento de la batería y girar los cierres del mismo para que quede bien asegurado.

Duración aproximada de funcionamiento del vehículo: aproximadamente 14 minutos.

### 2 TRANSMISOR

- Abrir la tapa del compartimento de las pilas

- tal como muestra el dibujo.
- Colocar una pila de 9 voltios (6LR61) en el interior, situando los polos + y - tal como se indica en el interior del compartimento.
- Volver a tapar el compartimento.

#### INFORMACIÓN IMPORTANTE SOBRE LA PILA DEL TRANSMISOR

- Asegurarse de colocar las pilas siguiendo la polaridad indicada.
- Utilizar siempre pilas del mismo tipo o equivalente al recomendado.
- No mezclar nunca pilas nuevas con gastadas (cambiarlas todas al mismo tiempo).
- No mezclar nunca pilas alcalinas, estándar (carbono-cinc) y recargables (níquel-cadmio).
- Retirar siempre las pilas gastadas del juguete. Retirar asimismo las pilas cuando no se vaya a utilizar el juguete durante un largo período de tiempo.
- Utilizar exclusivamente pilas alcalinas (en el transmisor). Las pilas no alcalinas pueden afectar al funcionamiento del mismo. Si el transmisor incluye pilas estándar (carbono-zinc) para demostración del producto en tienda, recomendamos sustituirlas al adquirir el juguete por pilas alcalinas.
- La duración de las pilas puede variar según la marca de las mismas.
- No intentar recargar las pilas no-recargables.
- No provocar cortocircuitos en los polos de las pilas.
- Retirar las pilas recargables del juguete para cargarlas. Cargarlas siempre bajo la supervisión de un adulto.
- Desechar las pilas en un contenedor especial para pilas.

#### X. INFORMACIÓN DE SEGURIDAD

Este juguete no está recomendado para menores de 5 años. Para asegurarse de que el niño utiliza este juguete de manera correcta y prevenir accidentes, recomendamos que un adulto le explique las instrucciones de funcionamiento y las reglas generales de seguridad.

- NO JUGAR con este coche en la calle. Las calles son sólo para los coches de verdad.
- NO COGER el coche mientras esté en funcionamiento.
- Cuando el interruptor esté en la posición de encendido, mantener los dedos, el cabello y la ropa holgada alejados de los neumáticos y las llantas.
- Recomendamos la vigilancia de un adulto cuando el/la niño/a juegue con este vehículo.
- Para evitar posibles accidentes, recomendamos sacar el pack de baterías cuando no se juegue con el vehículo.

#### PROBLEMAS DE FUNCIONAMIENTO ¿PROBLEMAS? - ¡SOLUCIONES!

SÍNTOMA	CAUSA PROBABLE	SOLUCIÓN
El vehículo funciona despacio o no funciona.	<ul style="list-style-type: none"> <li>El interruptor del vehículo no está activado o las conexiones de la batería no hacen un buen contacto.</li> <li>La batería está a punto de descargarse o está descargada.</li> <li>La pila del transmisor está gastada.</li> </ul>	<ul style="list-style-type: none"> <li>Comprobar las conexiones de la batería y el interruptor.</li> <li>Cargar la batería o sustituirla.</li> <li>Sustituir la pila del transmisor por una nueva pila alcalina.</li> </ul>
La batería recargable dura poco.	<ul style="list-style-type: none"> <li>No se ha hecho una recarga completa.</li> </ul>	<ul style="list-style-type: none"> <li>Recargar el pack de baterías. Para una mayor duración, cerciorarse de que se haga una recarga completa.</li> </ul>
Funcionamiento irregular o sólo funciona en un radio de alcance corto.	<ul style="list-style-type: none"> <li>Posible interferencia.</li> </ul>	<ul style="list-style-type: none"> <li>Cambiar de situación (ver punto n°2, sección "Consejos de conducción y seguridad")</li> </ul>
El vehículo no funciona después de haberlo utilizado sobre agua o nieve.	<ul style="list-style-type: none"> <li>El circuito electrónico se ha mojado.</li> </ul>	<ul style="list-style-type: none"> <li>El vehículo necesitará varias horas para secarse. Dejarlo secar por completo antes de volverlo a utilizar.</li> <li>Jugar con él en una zona seca. No utilizarlo en agua o nieve.</li> </ul>

## I. CONTIENT

- ① Véhicule AIR REBOUND
- ② Télécommande
- ③ Embout de gonflage

## CARACTÉRISTIQUES

- ① Pneu "turbo" gonflable
- ② Peut fonctionner sur 2 fréquences. (Voir l'étiquette sur le véhicule et l'émetteur.)
- ③ Portée de 20 m

## CIRCUIT INTELLIGENT

Si le véhicule heurte un obstacle et s'arrête brusquement ou s'il cale, un système spécial coupe automatiquement l'alimentation électrique pour éviter tout dommage. Relâcher simplement les boutons de contrôle et rediriger le véhicule si nécessaire. Après quelques secondes, le véhicule peut repartir.

## II. VÉHICULE

- ① 2 moteurs puissants
- ② Couverture du compartiment de la batterie
- ③ Verrous du compartiment de la batterie (2)
- ④ Interrupteur ON/OFF (marche/arrêt)
- ⑤ Roues motrices (2)
- ⑥ Pneu Turbo gonflable

**REMARQUE :** Le pneu Turbo du véhicule peut être insuffisamment gonflé lors du déballage. Utiliser l'embout de gonflage inclus pour gonfler le pneu.



Utiliser uniquement une pompe à main pour gonfler le pneu.



Le pneu est complètement gonflé lorsqu'il y a environ 0,5 cm d'écart entre le pneu et la carrosserie du véhicule. **NE PAS TROP LE GONFLER!** Si le pneu est trop gonflé, il frotte contre la carrosserie du véhicule, et cela l'empêche de tourner librement. Dans ce cas, utiliser simplement l'embout de gonflage pour faire sortir de l'air et obtenir la taille de pneu appropriée.



Bien conserver l'embout de gonflage afin de pouvoir regonfler le pneu au besoin.

## III. ÉMETTEUR

**REMARQUE :** L'émetteur est équipé d'un système de mise en marche automatique préservant les piles. Il suffit de mettre le véhicule en marche (ON), puis de pousser un des boutons de l'émetteur pour faire rouler le véhicule et le contrôler.

- ① Boutons de contrôle du véhicule
- ② Antenne

## IV. DÉMARRAGE RAPIDE

Lire ce guide avec attention.

- ① Commencer à jouer avec une batterie complètement chargée.
- ② Mettre le véhicule en marche (ON).

Appuyer sur les boutons de l'émetteur pour le faire rouler.

- ③ Lorsque le jeu est fini, éteindre le véhicule (OFF). Retirer toutes les piles et la batterie avant de le ranger.

## V. FONCTIONNEMENT DU VÉHICULE

- ① MARCHÉ AVANT
- ② MARCHÉ ARRIÈRE
- ③ VIRAGE À GAUCHE À GRAND RAYON
- ④ VIRAGE À DROITE À GRAND RAYON

## VI. CASCADES INCROYABLES !

Ce manuel explique comment réaliser quelques cascades incroyables ! Mais une fois que l'on a commencé à conduire le véhicule Air Rebound, on s'aperçoit qu'il peut réaliser beaucoup d'autres cascades étonnantes... Il suffit de s'exercer, de faire preuve d'imagination et d'inventer ses propres cascades... auxquelles on donnera des noms géniaux !

①

Pour réaliser d'incroyables cascades aériennes, faire rouler le véhicule sur la bordure d'un trottoir ou sur une rampe (la rampe ne doit pas dépasser 152cm de haut). Il est possible de faire pivoter le véhicule pendant qu'il est dans les airs en poussant les boutons de l'émetteur vers le haut ou vers le bas. Essayez de toucher le sol avec le pneu gonflé en premier... pour des cascades vraiment rebondissantes !



Essayer cette cascade en plaçant le pneu gonflé à l'avant... ainsi que les roues motrices !

## ② 360° HYPER RAPIDES

Pour réaliser des 360°, pousser simplement le bouton de contrôle de gauche vers le haut et le bouton de contrôle de droite vers le bas. Pour des tourbillons en sens inverse, pousser le bouton de gauche vers le bas et le bouton de droite vers le haut !



Le véhicule peut réaliser des 360° sur beaucoup de surfaces différentes... mais pas sur un tapis.

## ③ SAUT ARRIÈRE CONTRE LE MUR

Positionner le véhicule avec le pneu gonflé contre le mur. Pousser les deux boutons vers le haut. Maintenir les deux boutons appuyés vers le haut. Le véhicule culbute vers l'arrière et s'éloigne du mur.



LE VÉHICULE PEUT LAISSER DES MARQUES SUR LE MUR LORSQU'IL REBONDIT CONTRE CELUI-CI. UTILISER AVEC PRÉCAUTION.



NE PAS VISER LES GENS, LES ANIMAUX OU TOUT OBJET FRAGILE.

## ④ SAUT D'OBSTACLE

Viser un obstacle ou un mur peu élevé (10 cm environ). S'assurer que le pneu gonflé est dirigé vers l'obstacle. Pousser les deux boutons vers le haut pour faire accélérer le véhicule en direction de l'obstacle. Lorsque le véhicule passe par-dessus l'obstacle, il

effectue toutes sortes de sauts complètement fous.

## ⑤ SAUTS ARRIÈRE !

Pousser les deux boutons vers le bas pour reculer. Une fois la vitesse maximale atteinte, relâcher d'un coup un des boutons, puis le pousser vers le haut rapidement. Le véhicule effectue un super saut arrière !

## VII. CONSEILS UTILES

- ① Lorsque le véhicule commence à perdre de la puissance, il peut devenir moins performant et ne plus fonctionner normalement. Il est alors temps de recharger la batterie. La durée d'autonomie du véhicule peut varier selon le style de conduite.
- ② Une interférence radio peut nuire au fonctionnement du véhicule. Elle peut être causée par d'autres véhicules radiocommandés fonctionnant sur la même fréquence ou par des fils électriques, des immeubles ou des radios CB. Il est recommandé d'utiliser ce véhicule loin de ces éléments.
- ③ Tenir l'émetteur au-dessus de la taille. Si l'antenne est trop basse, ou si elle touche d'autres objets (y compris la personne), le véhicule peut ne pas bien fonctionner. Et le véhicule ne fonctionne pas correctement s'il est trop loin.
- ④ Ne pas faire rouler le véhicule dans le sable, dans l'eau ou dans la neige. Si le véhicule est mouillé, l'essuyer avec une serviette et le laisser sécher complètement.
- ⑤ Ne pas ranger le véhicule près d'une source de chaleur ou en plein soleil. Toujours éteindre le jouet (interrupteur sur "OFF" [arrêt]) et retirer toutes les piles et la batterie avant de le ranger.

## VIII. BATTERIE TMH® CHARGE / ENTRETIEN

POUR DES RENSEIGNEMENTS DÉTAILLÉS CONCERNANT LA CHARGE DE LA PILE NICD ET LES MESURES DE SÉCURITÉ, SUIVRE LES INSTRUCTIONS QUI ACCOMPAGNENT LE BLOC-PILES ET LE CHARGEUR.

## IX. INSTALLATION DE LA BATTERIE

### ① VÉHICULE

- Faire pivoter les verrous pour ouvrir le couvercle du compartiment de la batterie.
- Tenez le bloc-piles grand ouvert avec les autocollants 1 et 2 sur le dessus, comme indiqué.
- Insérer le bloc-piles complètement comme illustré. Renversez la partie dessous du bloc-piles, comme illustré, (l'autocollant « 2 » sera en face). Pousser sur la partie dessous, comme illustré, pour bloquer le bloc-piles en position.
- Refermer le couvercle et faire pivoter les verrous.

Temps d'autonomie du véhicule : 14 minutes environ

### ② ÉMETTEUR

- Pour installer la pile de l'émetteur, ouvrir le couvercle comme illustré.
- Installer une pile de 9V/6LR61 en respectant les polarités (+/-) comme indiqué à l'intérieur du compartiment.
- Refermer le couvercle.

INFORMATIONS IMPORTANTES CONCERNANT LA PILE DE L'ÉMETTEUR

- Veiller à insérer les piles dans le bon sens.

- Utiliser uniquement les piles recommandées (ou équivalentes).
- Ne pas mélanger des piles usagées avec des piles neuves.
- Ne pas mélanger différents types de piles : alcalines, standard (carbone-zinc) ou rechargeables (nickel-cadmium).
- Ne pas laisser de piles usées dans le jouet. Les retirer immédiatement. Enlever les piles lorsque le jouet n'est pas utilisé pendant une longue période.
- Pour de meilleures performances, utiliser des piles alcalines (lorsque des piles jetables sont requises). Si le véhicule est fourni avec des piles standard (carbone-zinc) pour permettre une utilisation immédiate et/ou à des fins de démonstration, il est recommandé de les remplacer par des piles alcalines. La durée des piles peut varier selon la marque.
- Les performances du jouet peuvent diminuer à mesure que les piles faiblissent.
- Ne jamais recharger des piles non rechargeables.
- Ne pas mettre les bornes des piles en court-circuit.
- Retirer les piles rechargeables du jouet avant de les recharger.
- Les piles rechargeables ne doivent être rechargées que par un adulte.
- Jeter les piles usées dans un conteneur réservé à cet usage.

## X. MISES EN GARDE

Parents, ce jouet est conseillé pour des enfants de 5 ans et plus. Pour s'assurer que l'enfant joue en toute sécurité, lire le mode d'emploi et les mises en garde avec lui.

- NE JAMAIS jouer avec le véhicule dans la rue ! Les rues sont réservées aux vraies voitures !
- NE PAS saisir le véhicule lorsqu'il est en mouvement.
- Ne pas approcher ses doigts, ni laisser pendre ses cheveux ou ses vêtements à proximité des pneus et des enjoliveurs lorsque le véhicule fonctionne (interrupteur sur "ON" [marche]).
- La surveillance d'un adulte est recommandée lorsque le véhicule fonctionne.
- Pour éviter tout incident, retirer toutes les piles et la batterie lorsque le véhicule n'est pas utilisé.

## PROBLÈMES ÉVENTUELS ET SOLUTIONS

PROBLÈME	CAUSE PROBABLE	SOLUTION
Le véhicule roule lentement ou il ne roule pas.	<ul style="list-style-type: none"> <li>• Mauvais contact de la batterie ou interrupteur du véhicule sur Arrêt.</li> <li>• Bloc-batterie faible ou déchargé.</li> <li>• Pile de l'émetteur faible.</li> </ul>	<ul style="list-style-type: none"> <li>• Vérifier la connexion du bloc-batterie et l'interrupteur du véhicule.</li> <li>• Charger ou remplacer le bloc-batterie.</li> <li>• Remplacer par une pile alcaline neuve.</li> </ul>
La durée d'autonomie de la pile est courte.	<ul style="list-style-type: none"> <li>• La batterie n'a pas été suffisamment chargée.</li> </ul>	<ul style="list-style-type: none"> <li>• Recharger le bloc-batterie du véhicule. Pour une durée d'autonomie maximale, s'assurer de recharger complètement le bloc-batterie.</li> </ul>
Fonctionnement irrégulier ou uniquement à courte portée.	<ul style="list-style-type: none"> <li>• Interférence radio probable.</li> </ul>	<ul style="list-style-type: none"> <li>• Utiliser le véhicule dans un autre endroit (voir point 2 – Conseils)</li> </ul>
Le véhicule ne fonctionne plus après avoir été dans l'eau ou dans la neige.	<ul style="list-style-type: none"> <li>• Il y a de l'eau dans le circuit électronique du jouet.</li> </ul>	<ul style="list-style-type: none"> <li>• Il faudra plusieurs heures au véhicule pour sécher. Le laisser sécher toute une nuit avant de rejouer.</li> <li>• Faire fonctionner le véhicule sur une surface sèche. Éviter de l'utiliser dans l'eau ou dans la neige.</li> </ul>