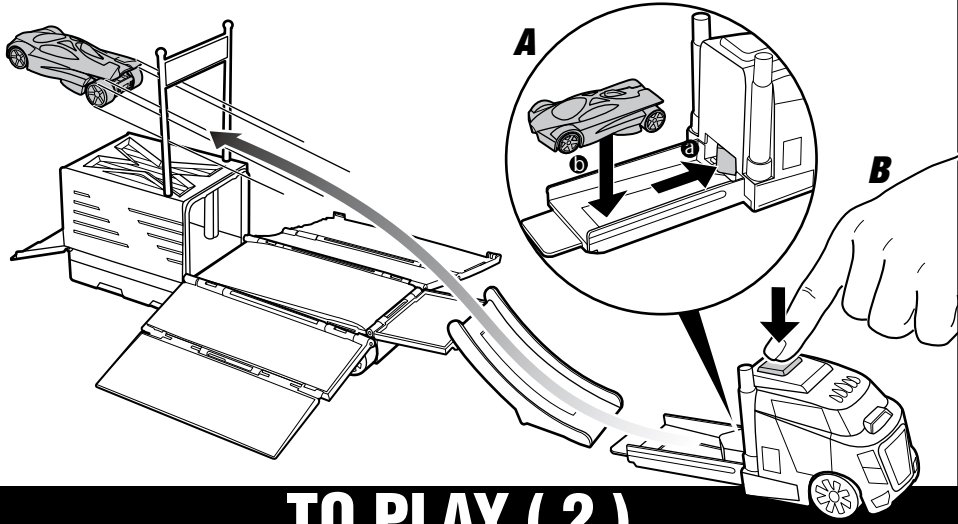
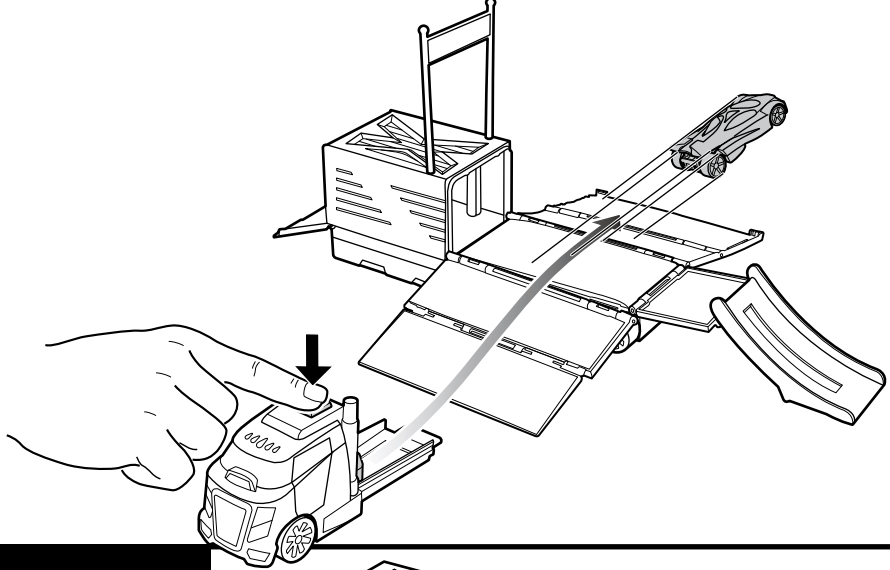




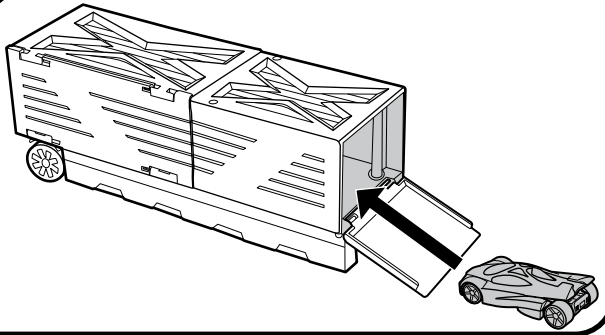
### TO PLAY ( 1 )



### TO PLAY ( 2 )



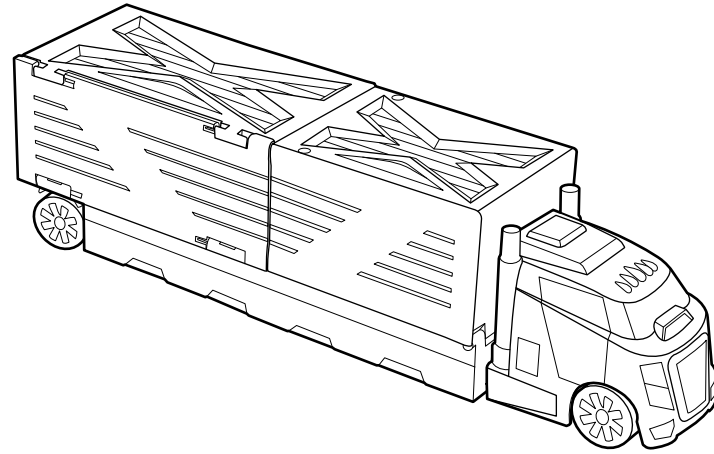
### STORAGE



# STUNTIN' BIG RIG

## INSTRUCTIONS

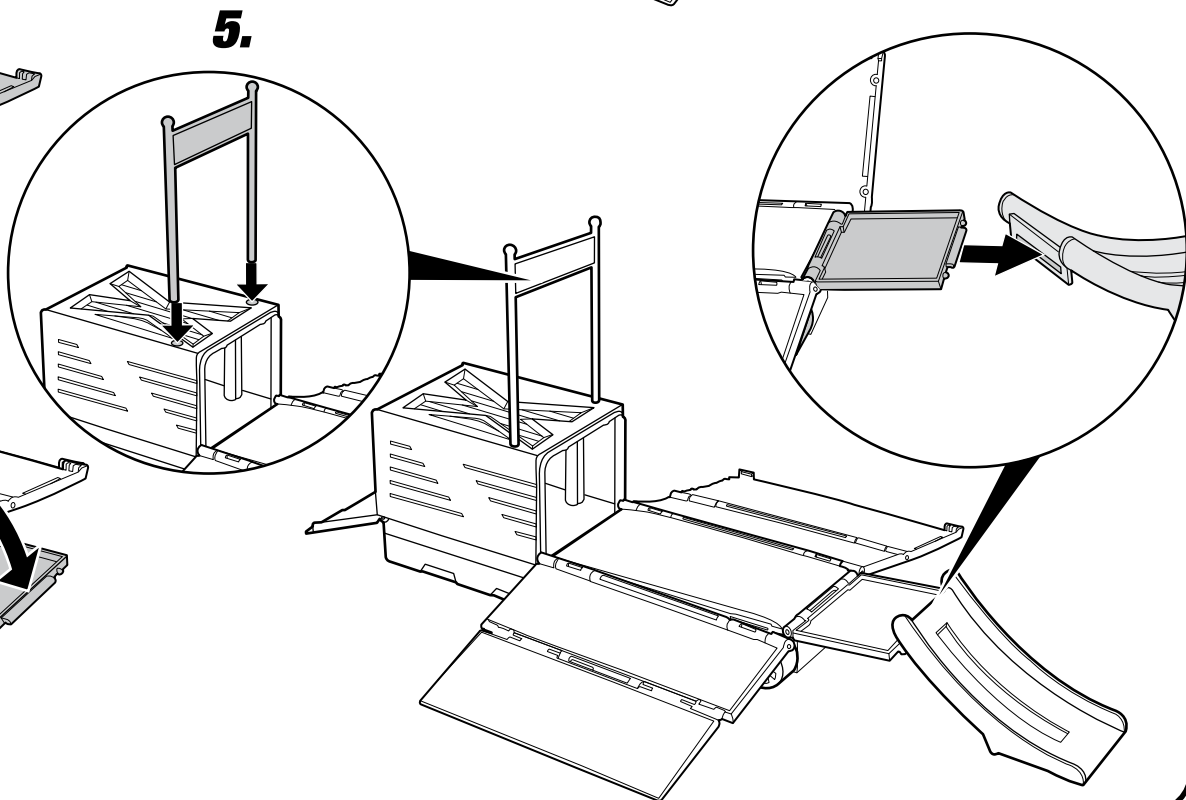
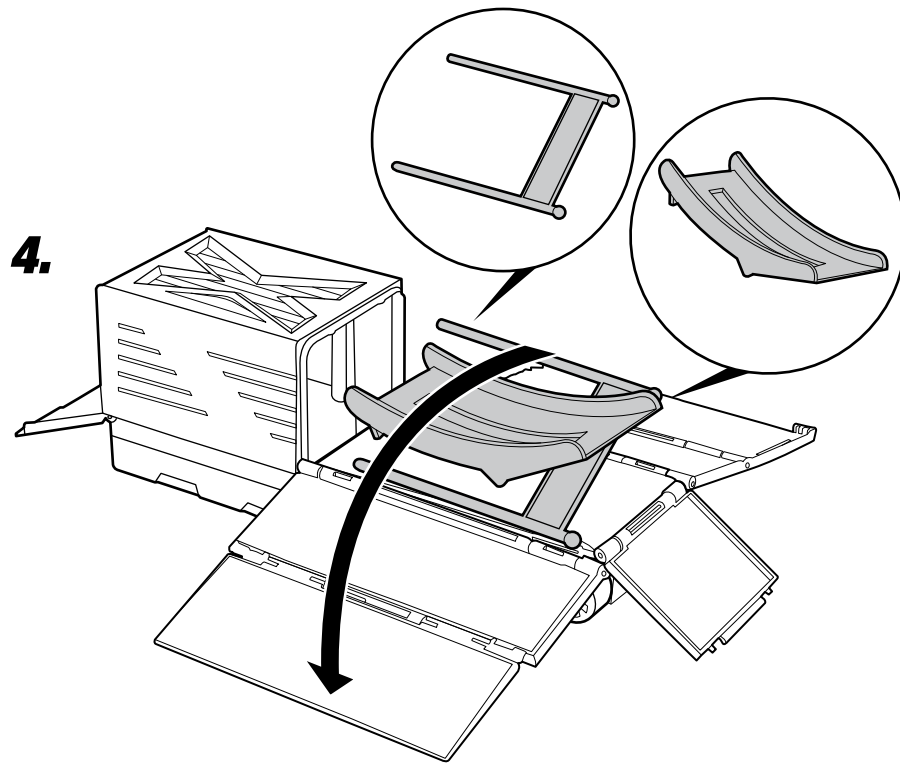
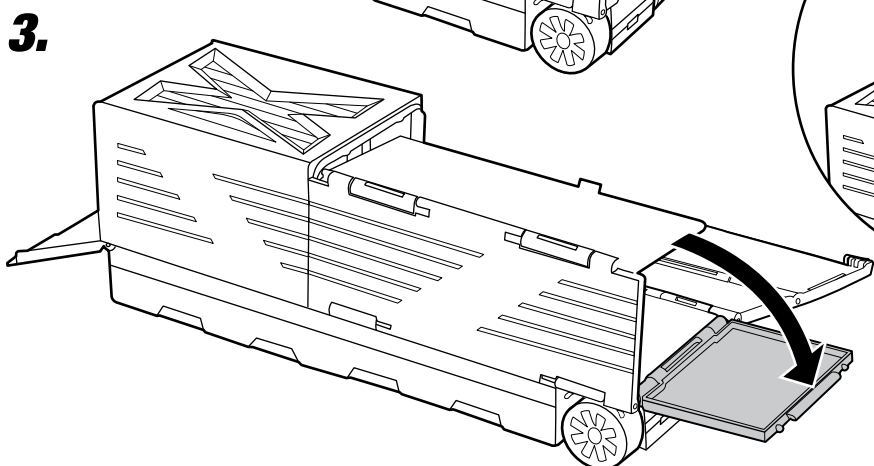
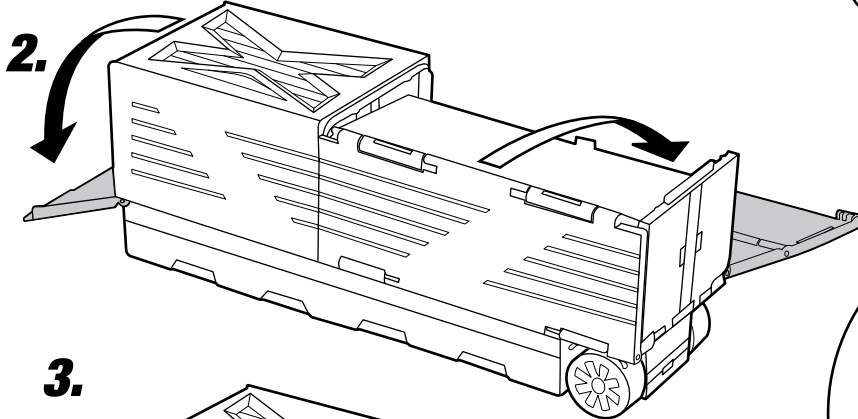
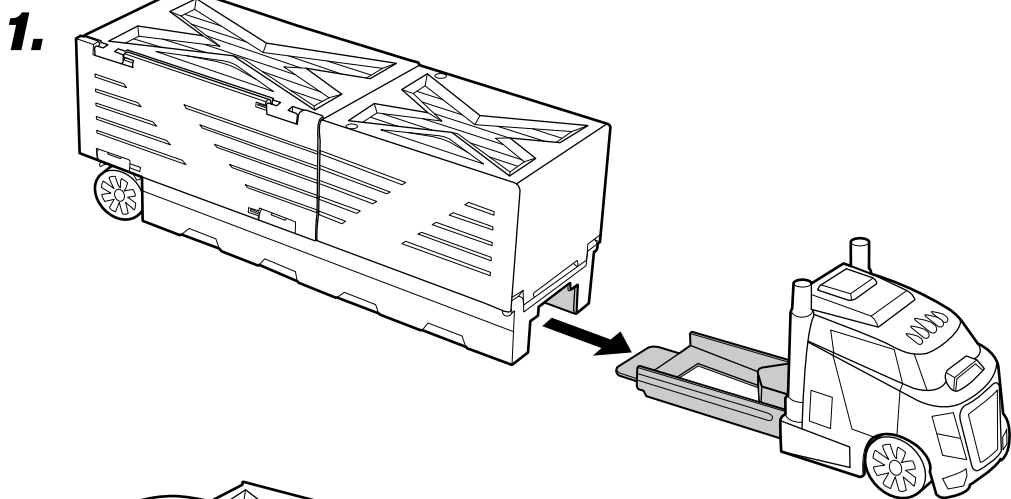
## CONTENTS



© 2009 Mattel, Inc. All Rights Reserved.

Consumer Relations – Mattel, Inc., 636 Girard Avenue, East Aurora, NY 14052, U.S.A. – 1-800-524-8697. service.mattel.com. • Mattel Canada Inc., Mississauga, Ontario L5R 3W2. You may call us free at 1-800-524-8697. • Mattel U.K. Ltd., Vanwall Business Park, Maidenhead SL6 4UB. Helpline 01628500303 • Mattel Australia Pty., Ltd., Richmond, Victoria. 3121. Consumer Advisory Service - 1300 135 312. • Mattel East Asia Ltd., Room 1106, South Tower, World Finance Centre, Harbour City, Tsimshatsui, HK, China. • Diimport & Diedarkan Oleh: Mattel SEA Ptd Ltd.(993532-P) Lot 13.5, 13th Floor, Menara Lien Hoe, Persiaran Tropicana Golf Country Resort, 47410 PJ. Tel:03-78803817, Fax:03-78803867.

## SET UP

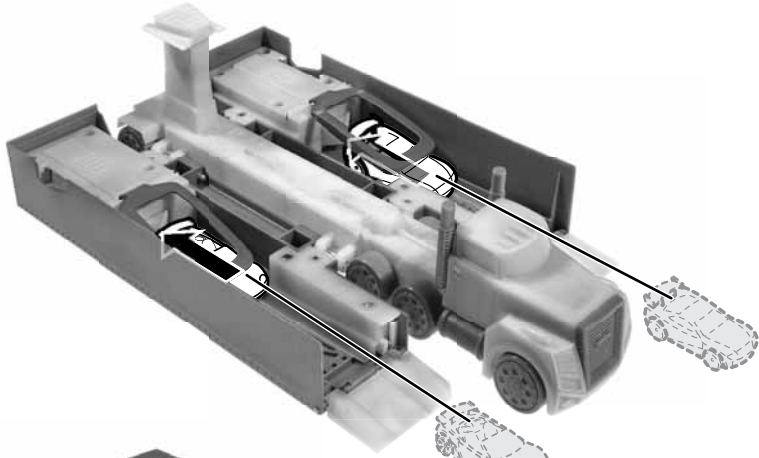


NOT FOR USE WITH SOME HOT WHEELS® VEHICLES.

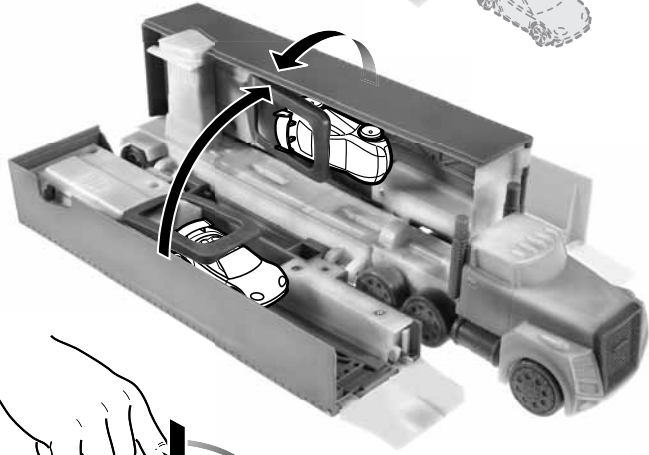


## TO PLAY (B)

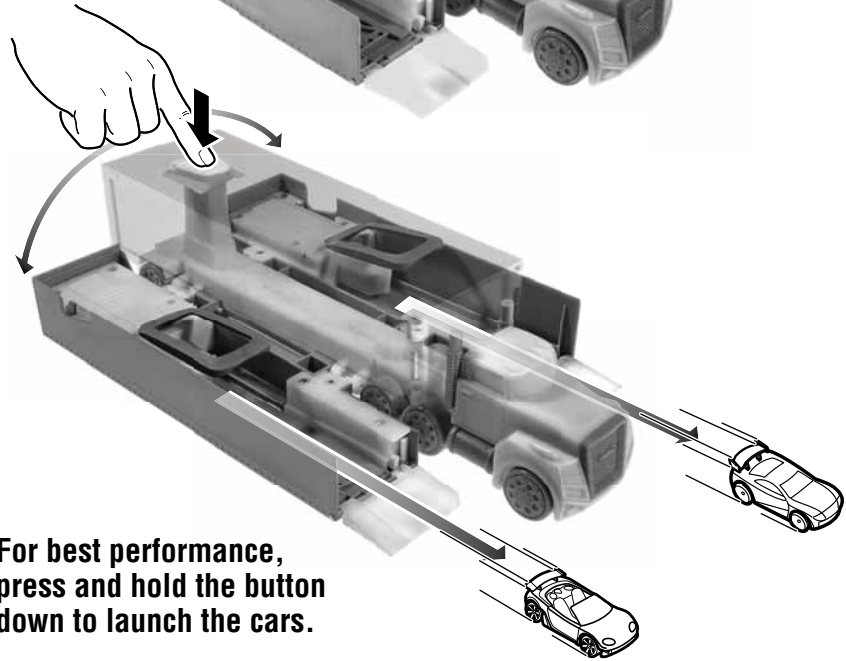
1.



2.



3.



For best performance,  
press and hold the button  
down to launch the cars.



3+

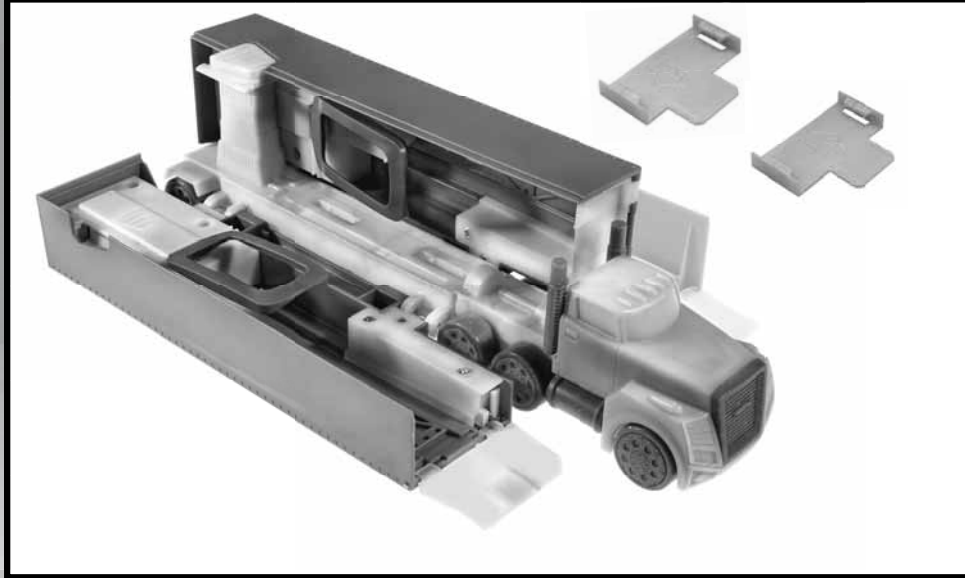


R1078-0920  
Asst.N4213

# BLASTIN' BIG RIG

## INSTRUCTIONS

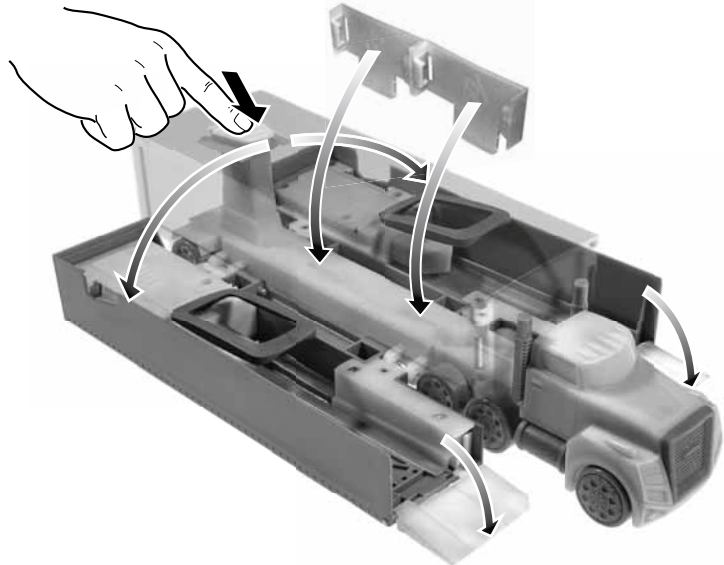
### CONTENTS



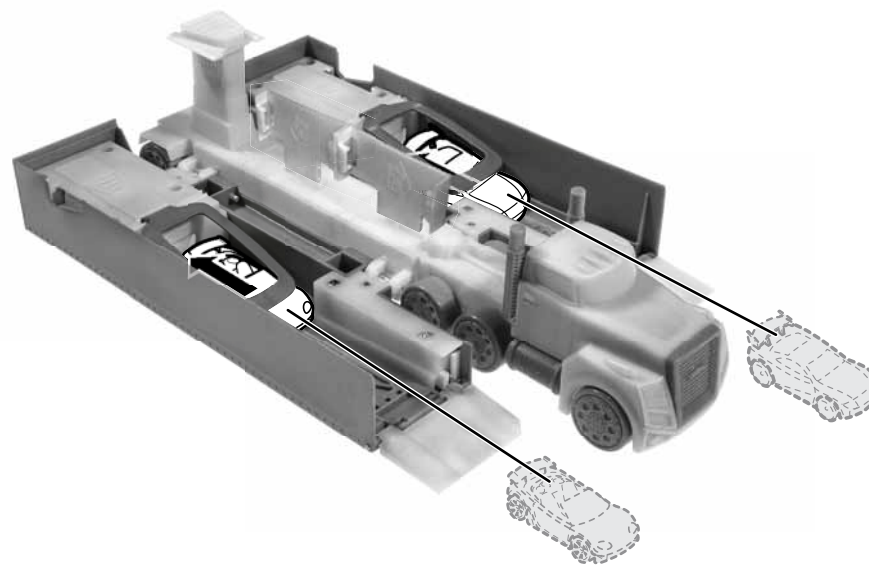
© 2009 Mattel, Inc. All Rights Reserved. Consumer Relations – Mattel, Inc., 636 Girard Avenue, East Aurora, NY 14052, U.S.A. – 1-800-524-8697.service.mattel.com. • Mattel Canada Inc., Mississauga, Ontario L5R 3W2. You may call us free at 1-800-524-8697. • Mattel U.K. Ltd., Vanwall Business Park, Maidenhead SL6 4UB. Helpline 01628500303 • Mattel Australia Pty., Ltd., Richmond, Victoria, 3121. Consumer Advisory Service - 1300 135 312. • Mattel East Asia Ltd., Room 1106, South Tower, World Finance Centre, Harbour City, Tsimshatsui, HK, China. • Diimport & Diedarkan Oleh: Mattel SEA Ptd Ltd.(993532-P) Lot 13.5, 13th Floor, Menara Lien Hoe, Persiaran Tropicana Golf Country Resort, 47410 PJ. Tel:03-78803817, Fax:03-78803867.

## TO PLAY (A)

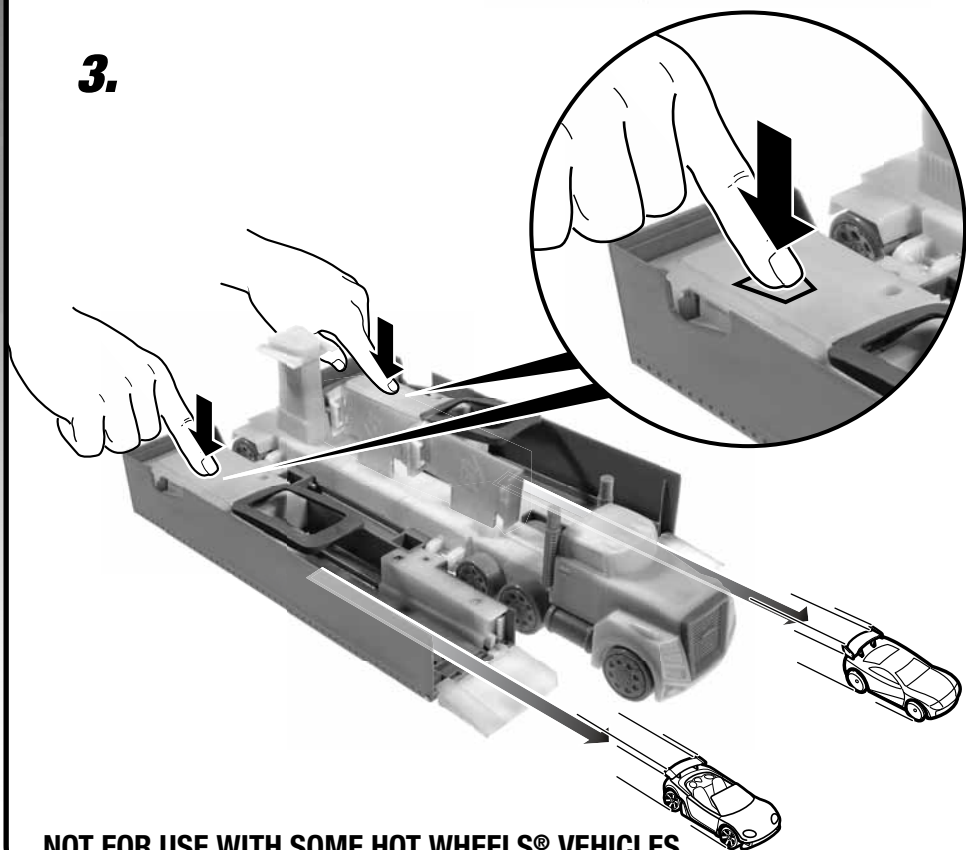
1.



2.

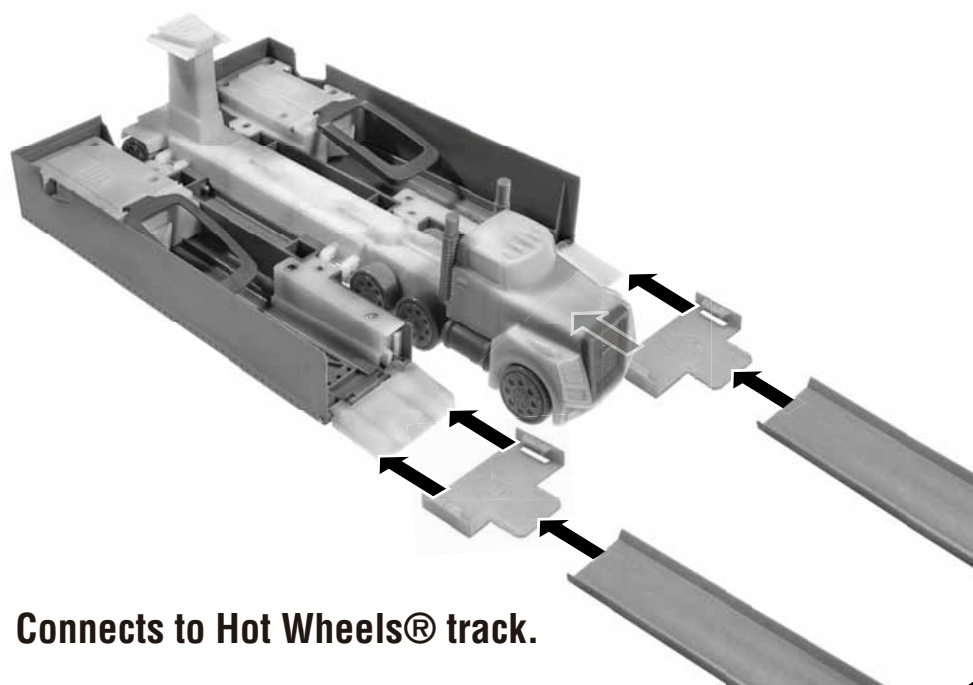


3.



NOT FOR USE WITH SOME HOT WHEELS® VEHICLES.

## OPTIONAL PLAY



Connects to Hot Wheels® track.





3+

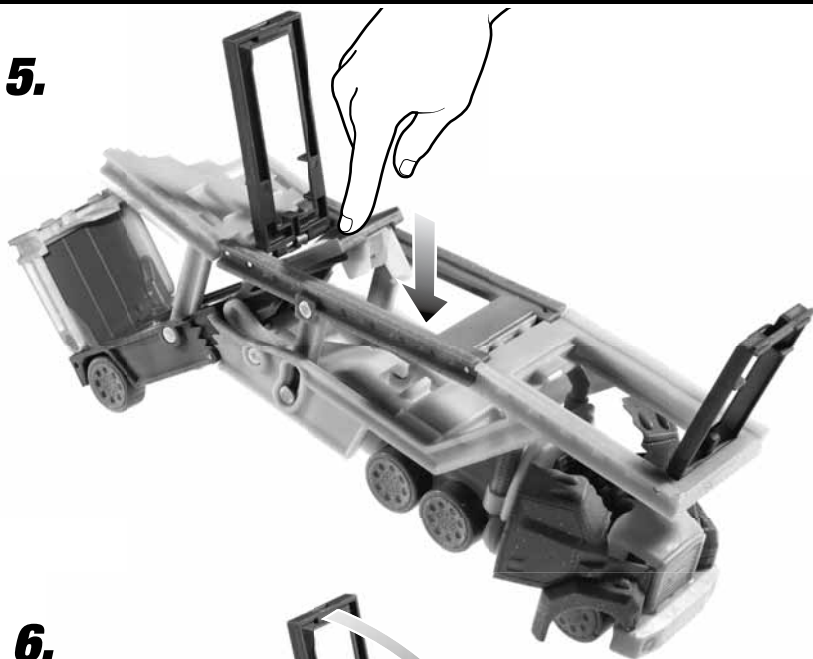


R1079-0920  
Asst.N4213

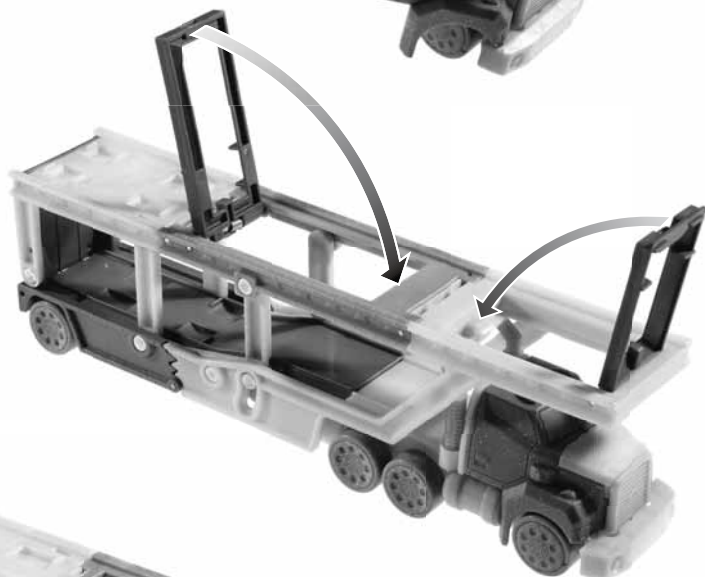
# CRASHIN' BIG RIG

## INSTRUCTIONS

5.



6.



7.



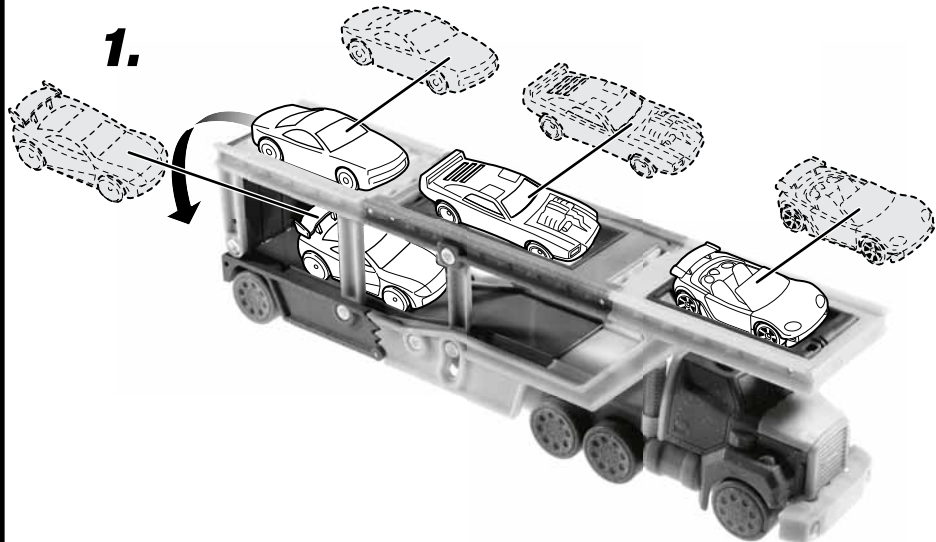
## CONTENTS



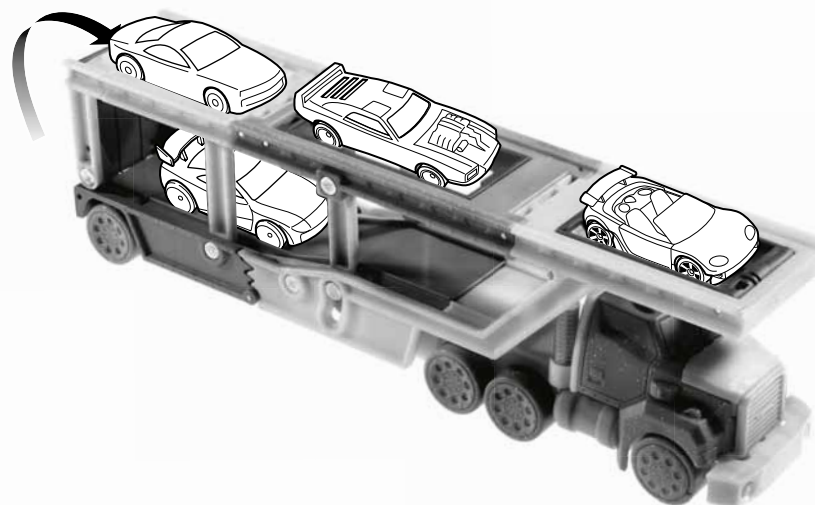
© 2009 Mattel, Inc. All Rights Reserved. Consumer Relations – Mattel, Inc., 636 Girard Avenue, East Aurora, NY 14052, U.S.A. – 1-800-524-8697.service.mattel.com. • Mattel Canada Inc., Mississauga, Ontario L5R 3W2. You may call us free at 1-800-524-8697. • Mattel U.K. Ltd., Vanwall Business Park, Maidenhead SL6 4UB. Helpline 01628500303 • Mattel Australia Pty., Ltd., Richmond, Victoria. 3121.Consumer Advisory Service - 1300 135 312. • Mattel East Asia Ltd., Room 1106, South Tower, World Finance Centre, Harbour City, Tsimshatsui, HK, China. • Diimport & Diedarkan Oleh: Mattel SEA Ptd Ltd.(993532-P) Lot 13.5, 13th Floor, Menara Lien Hoe, Persiaran Tropicana Golf Country Resort, 47410 PJ. Tel:03-78803817, Fax:03-78803867.

## TO PLAY

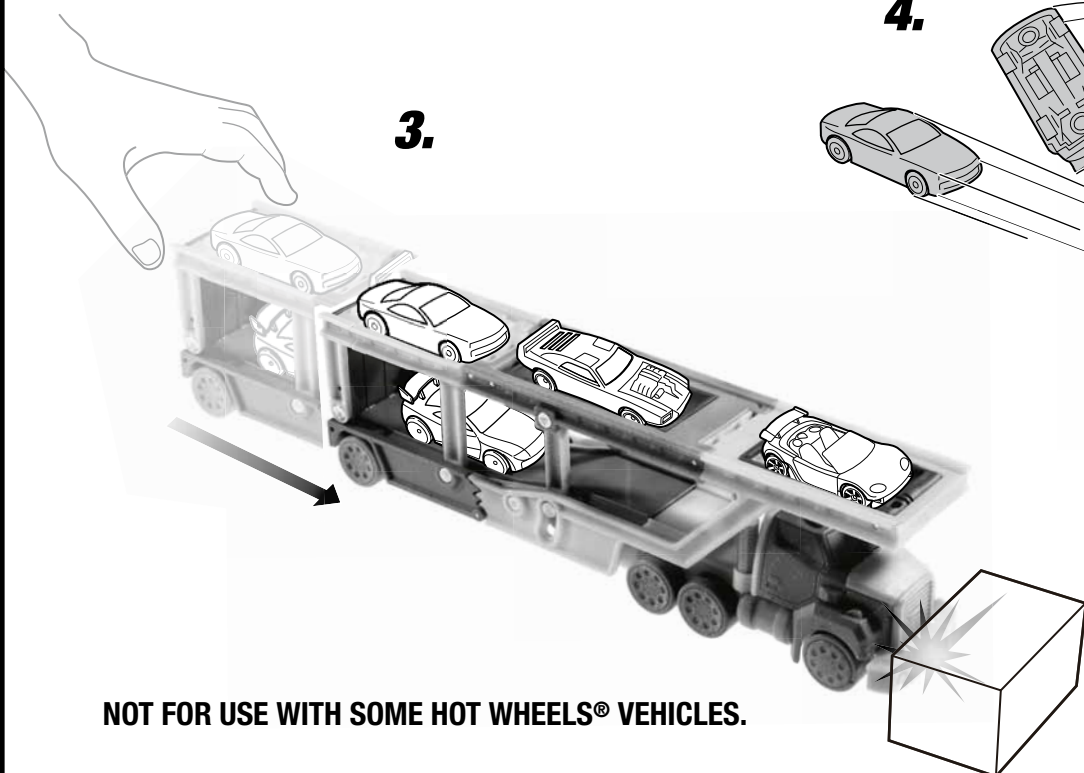
1.



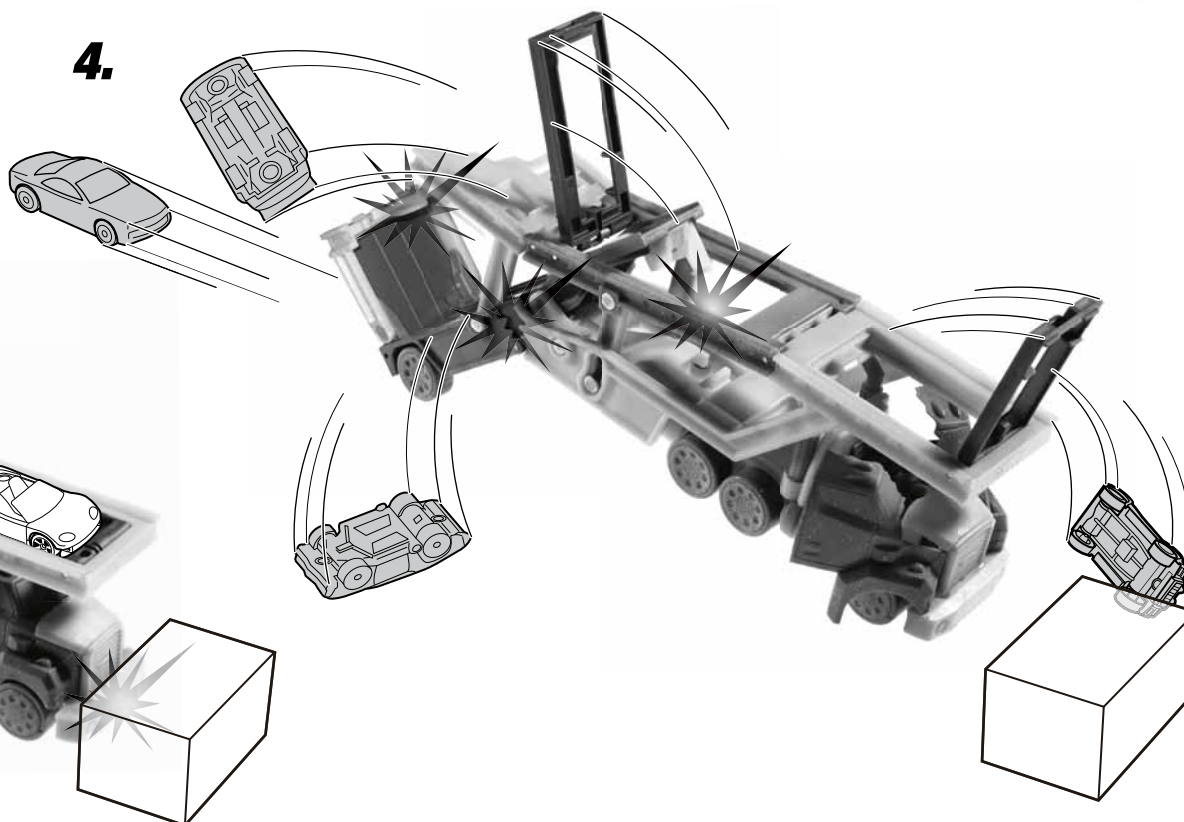
2.



3.



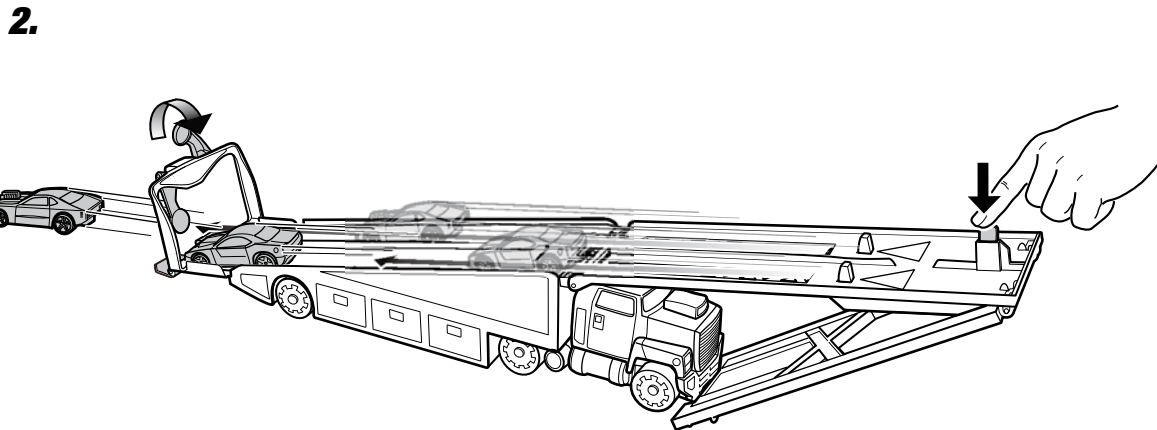
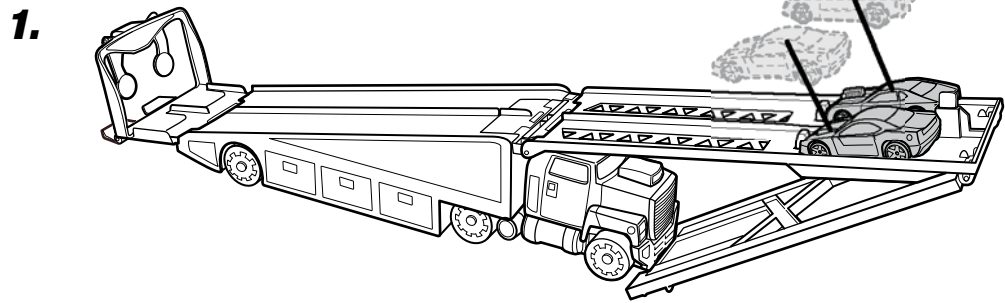
4.



NOT FOR USE WITH SOME HOT WHEELS® VEHICLES.

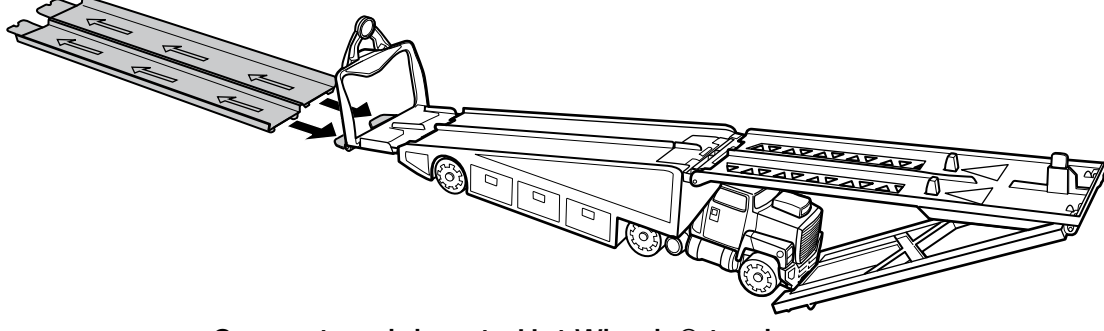


# TO PLAY



NOT FOR USE WITH SOME HOT WHEELS® VEHICLES.

## MORE WAYS TO PLAY



Connect each lane to Hot Wheels® track.



3+

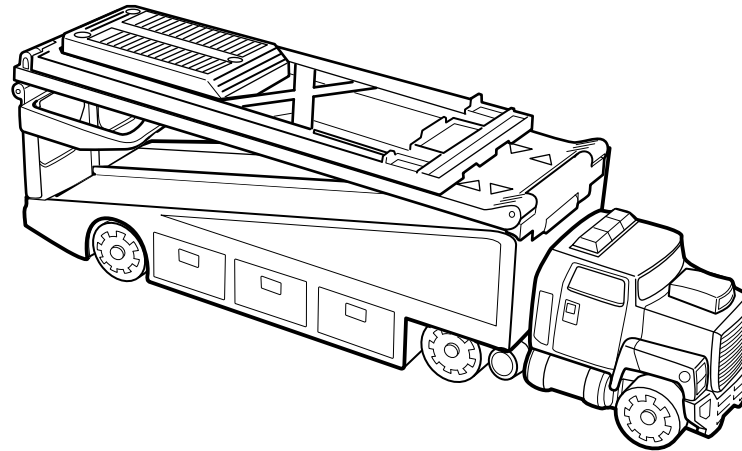


R9862-0920  
Asst.N4213

# RACIN' BIG RIG

## INSTRUCTIONS

### CONTENTS



© 2009 Mattel, Inc. All Rights Reserved.

Consumer Relations - Mattel, Inc., 636 Girard Avenue, East Aurora, NY 14052, U.S.A. - 1-800-524-8697. service.mattel.com. • Mattel Canada Inc., Mississauga, Ontario L5R 3W2. You may call us free at 1-800-524-8697. • Mattel U.K. Ltd., Vanwall Business Park, Maidenhead SL6 4UB. Helpline 01628500303 • Mattel Australia Pty., Ltd., Richmond, Victoria, 3121. Consumer Advisory Service - 1300 135 312. • Mattel East Asia Ltd., Room 1106, South Tower, World Finance Centre, Harbour City, Tsimshatsui, HK, China. • Diimport & Diedarkan Oleh: Mattel SEA Ptd Ltd.(993532-P) Lot 13.5, 13th Floor, Menara Lien Hoe, Persiaran Tropicana Golf Country Resort, 47410 PJ. Tel:03-78803817, Fax:03-78803867.

# GET READY TO PLAY

