

# nica<sup>®</sup> sunrise

## user manual

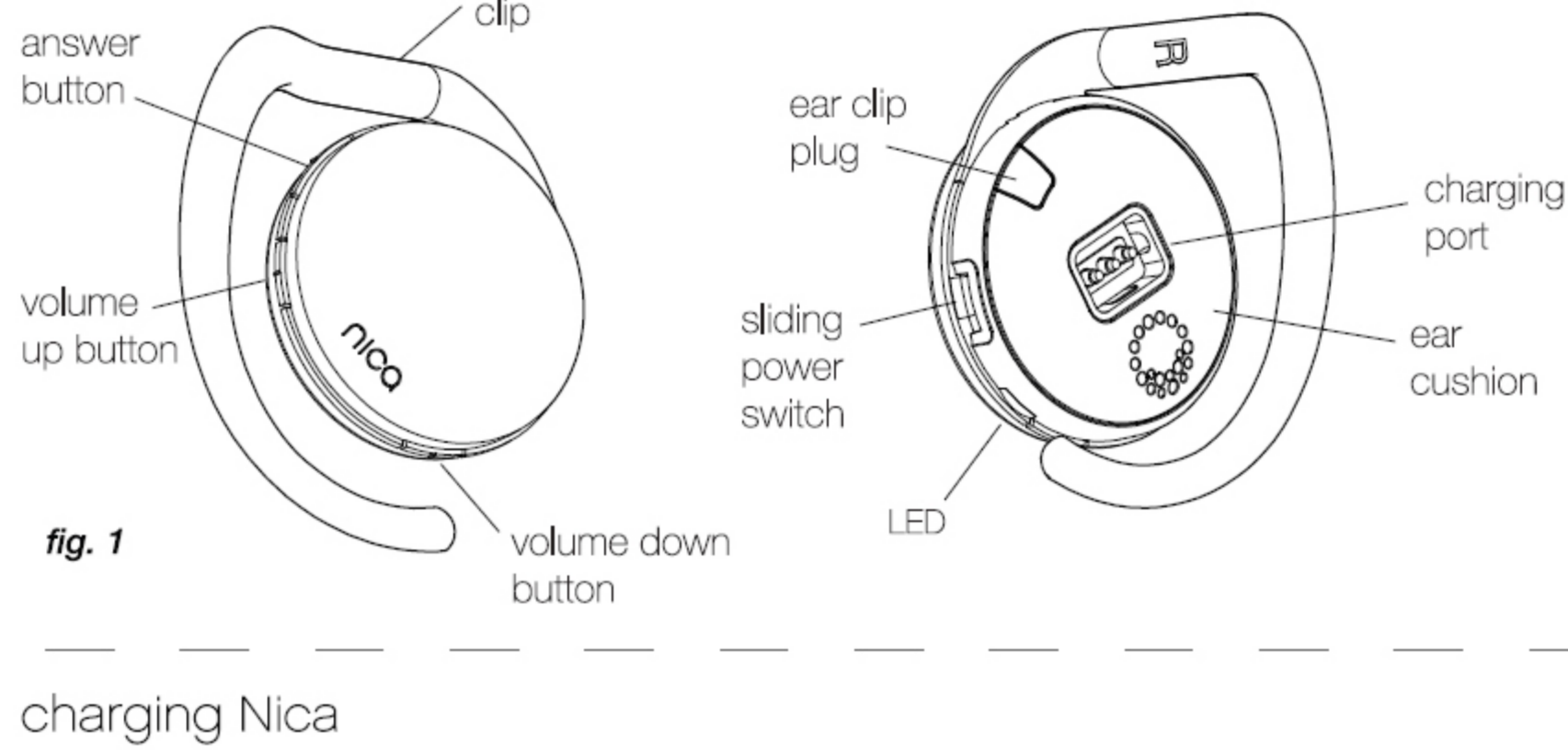
Thank you for purchasing the Nica Sunrise Bluetooth Headset; we hope you enjoy using it. The team at Maverick is dedicated to making beautiful, technically innovative products for people who appreciate how a product looks as much as how it works.

### warranty information

Your Nica Sunrise headset is covered by a limited one (1) year warranty. The details of warranty coverage are available at [www.mavericklifestyle.com](http://www.mavericklifestyle.com).

### useful controls

The drawings below show the main controls that you will use to both set up and use Nica.

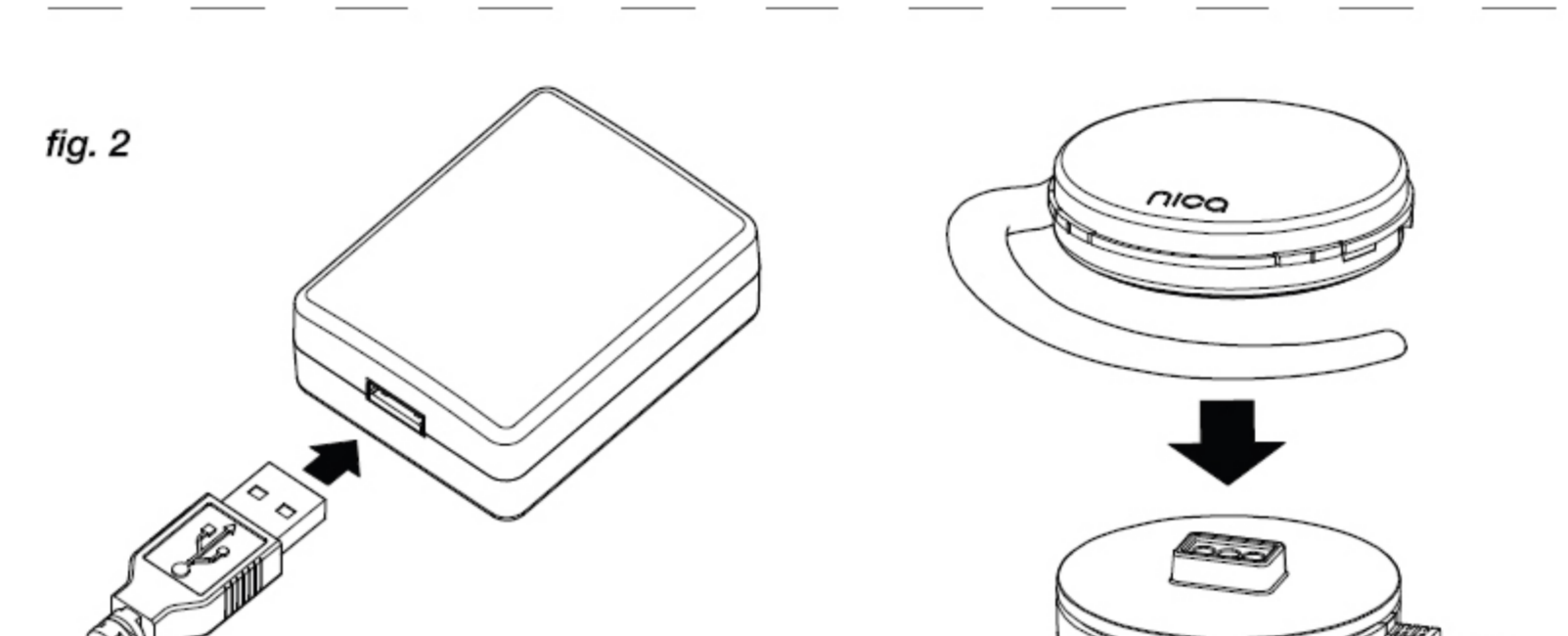


### charging Nica

Plug the mini-charger's USB cable into the AC adapter (fig. 2), then plug the AC adapter into an AC outlet. You can also plug the mini charger into any powered USB jack (for example, on a PC). Place Nica on top of the mini-charger. The magnetic attachment system will pull Nica onto the mini-charger in the correct orientation.

The LED light on Nica will glow solid red while Nica is charging. When Nica is fully charged, the red LED light will turn off. It is best to charge Nica fully before using it for the first time. It takes about 40 minutes to fully charge.

If Nica is powered on while charging, the LED light will also blink blue. If Nica is connected to your phone, the LED light will blink blue once every few seconds. A complete list of status indicators is provided below.



### pairing - first time setup

Before you can use Nica, you must pair it with your mobile phone.

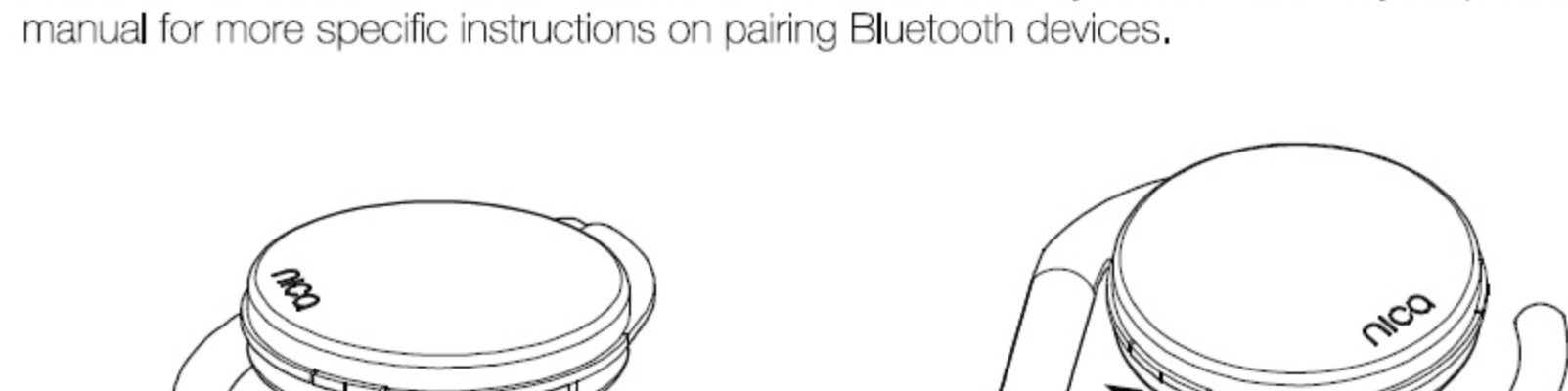
1. Put Nica in pairing mode:

Turn on Nica by sliding the power switch as shown in fig. 3. The LED will blink blue twice every few seconds. Hold down the answer button as shown in fig. 4 until the LED alternately flashes RED and BLUE.

2. Set your phone to look for Nica:

Find your phone's Bluetooth settings, which are usually located in the CONNECTIONS or SETTINGS menu. Look for the word Bluetooth or the Bluetooth logo (B). You must trigger

your phone to enter pairing mode. Different phones have different choices for this command such as ADD DEVICE, LOOK FOR DEVICE, or PAIR. You may have to consult your phone manual for more specific instructions on pairing Bluetooth devices.



Once in pairing mode, your phone will find Nica (Nica will appear on your phone). If your phone supports Secure Simple Pairing, the pairing process will complete.

If your phone does not support Secure Simple Pairing, the phone will prompt you to enter a passkey or a PIN.

**Enter 0000 (4 zeros) as your PIN**

The pairing process will complete.

### using Nica

When Nica and your phone are connected, call audio is automatically sent to Nica if you answer a call by pressing the answer button on the headset. The charts on the following pages describe the operation of the headset.

**Connecting Nica to your phone** If Nica is not connected to your phone (there is no Bluetooth logo (B) on the display), or the logo is grayed out, tap the answer button and Nica will reconnect to your phone. The Bluetooth logo should appear within a few seconds.

**Answering a call** When a call is ringing, press the answer button on the headset once to answer the call via the headset.

Phones vary as to where the call audio is routed if the call is answered using the button on the phone. Some phones will send the call audio to the headset, and some phones route the call audio to the phone.

Consult your manual or test how your phone works.

**Adjusting headset volume** Press the volume up (+) button or volume down (-) button on the headset to adjust the call volume, OR

Adjust the volume using the volume controls on the phone. The volume on Nica is adjusted either way.

NOTE: When maximum or minimum volume is reached while adjusting on Nica, you will hear a tone when you press the volume button.

**Disconnecting Nica from your phone** Press and hold the answer button and Nica will disconnect from your phone, OR

Turn Nica off using the power switch.

**Ignoring a call\*** When you receive a call that you do not wish to answer, press and hold the answer button on Nica for 3 seconds to ignore the call.

**Voice dialing\*** Press the answer button once and you will be prompted to begin voice dialing.

**Redialing\*** Tap the answer button twice and you will automatically redial the last person you dialed.

\*Please check your phone manual to see your phone includes these features.

### understanding Nica's flashing light indicators

Color	Frequency	Mode
blue	flashes every 3 seconds	active on a call
blue	once every 3 seconds	standby mode, connected to phone
blue	twice every 3 seconds	standby mode, not connected to phone
red	once every 3 seconds	low battery
red	always on	charging
blue/red	alternately flashing	in pairing mode

### multipoint - using Nica with two phones

Nica includes multipoint capability – the headset can be paired to two phones at the same time. However, Nica can only be connected to one phone at a time. The rules for connecting to phones are as follows:

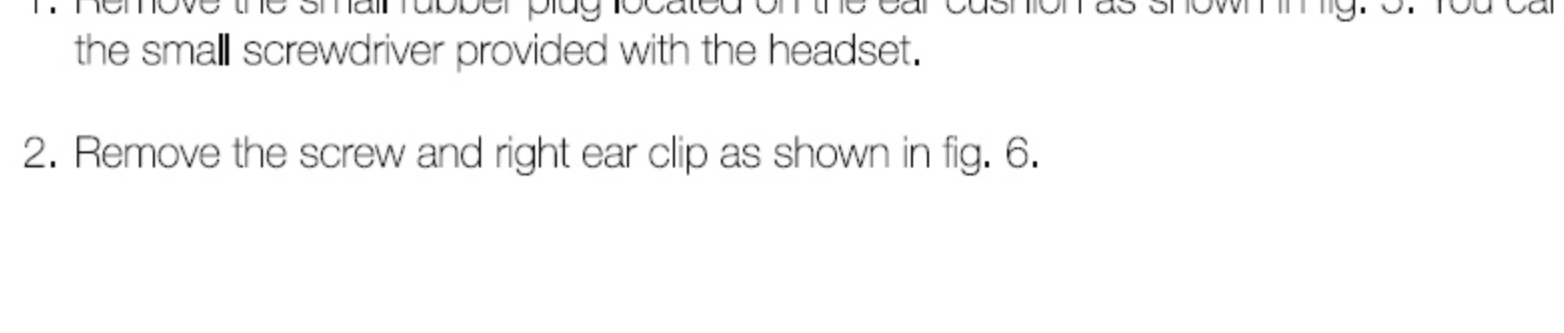
- If you are nearby both phones to which the headset is paired, pressing the answer button on the headset will cause Nica to connect to the LAST phone to which it was connected.
- If you want to connect to the other phone (that was not the last one connected to Nica), initiate the connection from the other phone.
- Once Nica is connected to one of the phones, it must be disconnected in order to connect it to the other phone.

### switching to the left ear clip

Nica comes set up to be worn on the right ear, but it can also be worn on the left ear with the included left ear clip. The following instructions describe how to install the left ear clip:

1. Remove the small rubber plug located on the ear cushion as shown in fig. 5. You can use the small screwdriver provided with the headset.

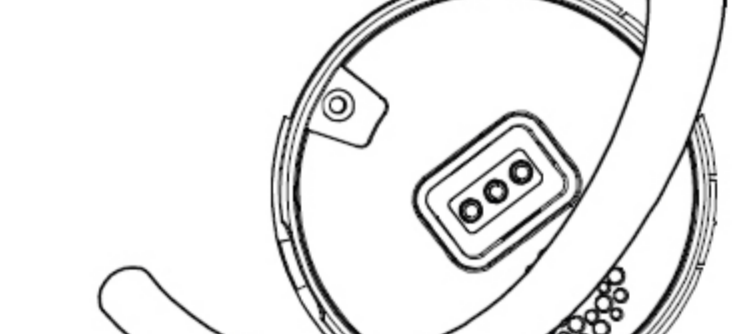
2. Remove the screw and right ear clip as shown in fig. 6.



3. The left ear clip has an L insignia on the rubber portion. Hook the ear clip into the slot in the headset and rotate into place as shown in fig. 7

4. Replace the screw.

5. Replace the ear cushion plug.



### troubleshooting guide

Nica is not connected to my phone – the Bluetooth logo (B) does not appear on my phone (or is grayed out) – or Nica is flashing twice every few seconds.

- Make sure Nica is paired with your phone.
- Press Nica's answer button once, or switch Nica on and off again to reconnect.

I answer my phone but I don't hear anything through Nica.

- Some phones route the call audio to the phone if you answer the call using the buttons on the phone (the Apple iPhone works like this). Phones typically provide a menu to select the phone or the headset as the audio device.

- If Nica isn't connected to your phone, the audio from the call won't be sent to Nica. Make sure that Nica is connected to your phone by looking for an active Bluetooth logo (B) on your phone's display. If it's not connected, press the answer button on Nica, or power the headset off and on, to reconnect.

Nica is connected but I can't hear anything in my headset.

- Turn up Nica's volume – you can turn up the volume both on Nica, and by using your phone's volume control.

When I dock Nica, how do I know it is charging?

- Nica's LED will turn solid red when it is charging. If it not solid red, then Nica is fully charged. If the LED doesn't turn solid red and you suspect that Nica is not charged, make sure the AC adapter is plugged into the mini-charger, and into an AC power socket.

For more help, contact Maverick Lifestyle Support:

- Web: [www.mavericklifestyle.com](http://www.mavericklifestyle.com) click on the support link
- Email: [mavsupport@mavericklifestyle.com](mailto:mavsupport@mavericklifestyle.com)
- Phone: 877-320-8890