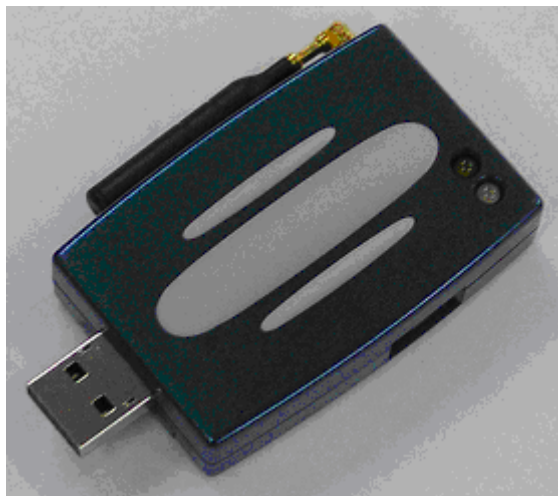


FCC Documentation

MM-5100U CDMA 1X Voice/Data Modem



Version : 0.1
Date : NOV. 05, 2003

Maxon Proprietary : Restricted Distribution

This document is the sole and exclusive property of Maxon. Not to be distributed or divulged without prior written agreement.

**36a Gibson Avenue, Padstow
New South Wales, 2211. Australia**

Phone:+61 2 9707 2000

URL: <http://www.maxon.com.au>

FCC RF EXPOSURE COMPLIANCE

In August 1996 the Federal Communications Commission (FCC) of the United States with its action in Report and Order FCC 96-326 adopted an updated safety standard for human exposure to radio frequency (RF) electromagnetic energy emitted by FCC regulated transmitters. Those guidelines are consistent with the safety standard previously set by both U.S. and international standards bodies. The design of this phone complies with the FCC guidelines and these international standards.

Use only the supplied or an approved antenna. Unauthorized antennas, modifications, or attachments could impair call quality, damage the phone, or result in violation of FCC regulations.

This MM-5100U CDMA card has been tested for FCC RF exposure hand and body SAR compliance. In order to comply with FCC RF exposure requirements, this product must be operated with the MM-5100U CDMA card. The use of this card in any other type of host configuration may not comply with FCC RF exposure requirements and should be avoided. During operation, a 1.5cm separation distance should be maintained between the antenna, whether extended or retracted, and the user's/bystander's body (excluding hands, wrists, feet, and ankles) to ensure FCC RF exposure compliance.

CAUTION

Change or modification without the express consent of CMOTech Co., Ltd. voids the user's authority to use the equipment. This equipment has been tested and found to comply with the limits pursuant to Part 22 of the FCC rules. These limits are designed to provide reasonable protection against harmful interference in an appropriate installation. This equipment generates, uses, and can radiate radio frequency energy and, if not used in accordance with instructions, can cause harmful radiation to radio communication. However, there is no guarantee that interference will not occur in a particular installation. If the equipment does cause harmful interference in radio and television reception, which can be determined by turning the equipment on and off, the user is encouraged to try to correct the interference by one or more of the following measures:

- Reorient or relocate the receiving antenna
- Increase the separation distance between the equipment and the receiver
- Contact CMOTech Co., Ltd. Technical Support for assistance.

Table of contents

- 1. Contact Information..... 4
- 2. Product Overview 5
 - 2.1 Overview..... 5
 - 2.2 What is the MM-5100U CDMA 1X Voice/Data Modem..... 5
 - 2.3 Supplied accessories..... 5
- 3. Specifications 6
 - 3.1 Mechanical Specifications..... 6
 - 3.2 Environment Specifications 6
 - 3.3 Electrical Specifications 6
 - 3.4 CDMA RF Specifications..... 7
- 4. Instruction 9
 - 4.1 Supplied accessories..... 9
 - 4.2 Getting start 9
- 5. Circuit description 13
 - 5.1 MM-5100U CMDA 1X Modem circuit description 13
 - 5.2 Power interface part 14
 - 5.3 Digital part..... 14
 - 5.4 RF part 15
- 6. Range of operating power levels and description of means for variation of operating power..... 17
- 7. Description of frequency determining and stabilizing circuitry..... 18
- 8. Description of circuit employed for suppression of spurious radiation 19
- 9. Description of modulation system used 20

1.

Contact Information

If you have any technical queries about this manual, please contact:

Maxon Electronics Australia Pty. Ltd.

36a Gibson Avenue

Padstow, New South Wales 2211

Australia

Phone: +61 2 9707 2000

Fax: +61 2 9707 3328

Mr. Ray Sanders-Managing Director

Mr. Ashween Prasad- Technical Manager

Email: engineering@maxon.com.au

2. Product Overview

2.1 Overview

The MM-5100U CDMA 1X Voice/Data Modem provides the most convenient environment for wireless voice communication, wireless internet and wireless e-mail at up to 153kbps of data rate anywhere. This modem functions as a wireless Voice/Data Modem, a modem, a mobile phone and allows you to connect to the Internet, send and receive e-mail, connect to a corporate network, and make phone calls, without the need of a network cable or phone line.

The MM-5100U card performs data communication functions between Host and IS-95 CDMA Cellular station.

2.2 What is the MM-5100U CDMA 1X Voice/Data Modem

- IS-95A, B, and cdma2000-1X CDMA Protocol Support
- Remote controlled by AT commands
- DATA transmission up to 153Kbps [network limited]
- LED indicating of the modem status

2.3 Supplied accessories

- MM-5100U CDMA 1X Voice/Data Modem (1)
- Ear-piece assembly (1)
- USB interface cable assembly (1)
- Driver CD (1)

3.

Specifications

3.1 Mechanical Specifications

Table 3.1 mechanical specifications

Dimensions	58mm x 38mm x 12mm, except antenna & USB connector parts
Weight	Approx. 35g , except ear-piece & USB cable assemblies
Housing Material	ABS

3.2 Environment Specifications

Table 3.2 environment specifications

Operating conditions	0°C ~ +60°C , 85%(at 50(C), relative humidity (non-condensing)
Storage Temperature	-40°C ~ +70°C
Humidity	95%, non-condensing

3.3 Electrical Specifications

Table 3.3 Current Consumption

- DC input voltage	+5VDC from USB port
- Maximum current	Under 850mA
- Typical current	Under 200mA
- Digital block operating voltage	+3.0V (typical)
On communication @ Maximum TX Power (24+/- 0.3dBm)	Under 700mA

(Note) The current consumption might vary of 5% over the whole operating temperature range.

3.4 CDMA RF Specifications

RF performances are compliant with IS-95A/B, cdma2000-1X RTT CDMA Protocol.

3.4.1 Transmitter specifications

Table 2.4 Transmitter performance

Type of Multiplexing	Frequency-Division Duplex
Frequency Range	824.64MHz ~ 848.37MHz
Channel Number	20CH
Bandwidth	1.23MHz
Occupied Bandwidth	Under 1.32MHz
Type of Oscillation	PLL Synthesizer & VCTCXO(19.2MHz)
VCO Output Frequency Range (divide-by-2 frequency range)	1372.08MHz ~ 1421.54MHz (686.04MHz ~ 710.77MHz)
Intermediate Center Frequency	138.6MHz
Modulation Method	OQPSK
RF Maximum Output Power	0.28W (24.5dBm/1.23MHz)
Frequency Stability(Accuracy)	Under defined freq. +/- 300Hz
Waveform Quality	Over 0.944
Conducted Spurious Emission	Over carrier +/-900KHz, -42dBc/30KHz Over carrier +/-1980KHz, -54dBc/30KHz
Common RF Impedance	50ohm
Supplied voltage	+3.8V DC @ Power Amp. +2.85V DC @ TX block

FCC Documentation- MM-5100U CDMA 1X Voice/Data Modem

3.4.2 Receiver specifications

Table 2.5 Receiver performance

Type of Receiving	Super Heterodyne Method	
Frequency Range	869.94MHz ~ 893.37MHz	
Channel Number	20CH	
Band width	1.23MHz	
Type of Oscillation	PLL Synthesizer & VCTCXO(19.2MHz)	
VCO Output Frequency Range (divide-by-2 frequency range)	1372.08MHz ~ 1419.54MHz (686.04MHz ~ 709.77MHz)	
Intermediate Center Frequency	183.6MHz	
Modulation Method	QPSK	
Receiver Sensitivity	Under -104dBm @FER=0.5%	
Single Tone Desensitization (-30dBm @F _C +/-900KHz)	Under -101dBm @FER=1%	
Inter-modulation (Fc +/-900KHz&1.7MHz)	-43dBm	Under -101dBm @FER=1%
	-32dBm	Under -90dBm @FER=1%
	-21dBm	Under -79dBm @FER=1%
Common RF Impedance	50ohm	
Supplied voltage	+3.0V DC	

4. Instruction

Warning

- **To prevent fire or shock hazard, do not expose the unit to rain or moisture.**
- **Do not drop the unit or give a shock to the unit, or it may cause a malfunction.**

4.1 Supplied accessories

- MM-5100U CDMA 1X Voice/Data Modem with antenna (1)
- USB cable assembly (1)
- Earpiece assembly (1)

4.2 Getting started

Before you can begin using the MM-5100U CDMA 1X Voice/Data Modem, you must:

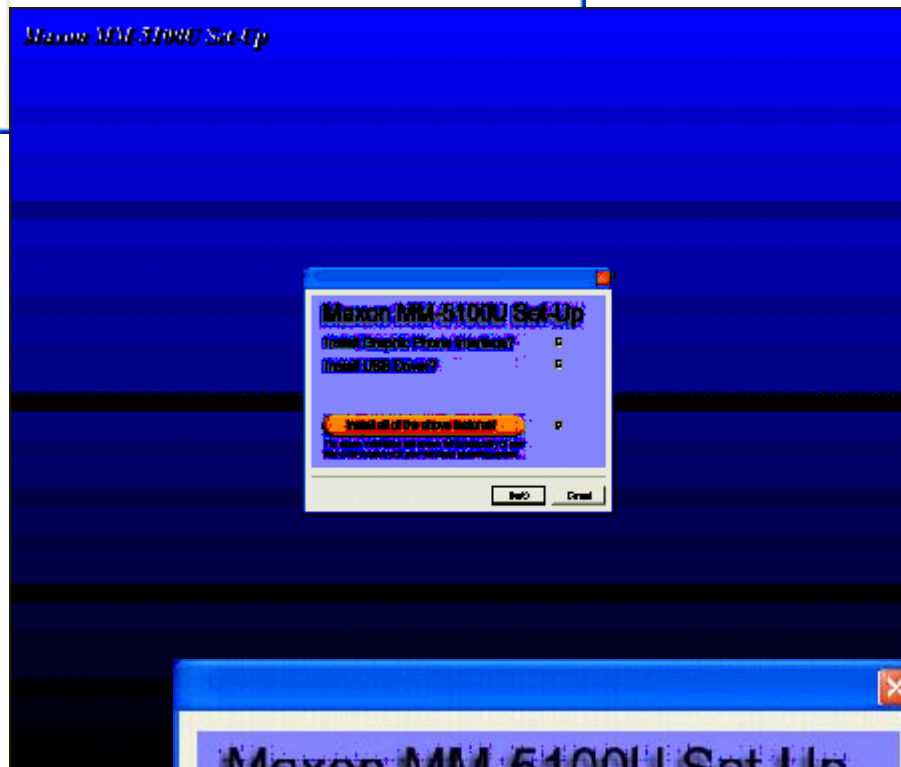
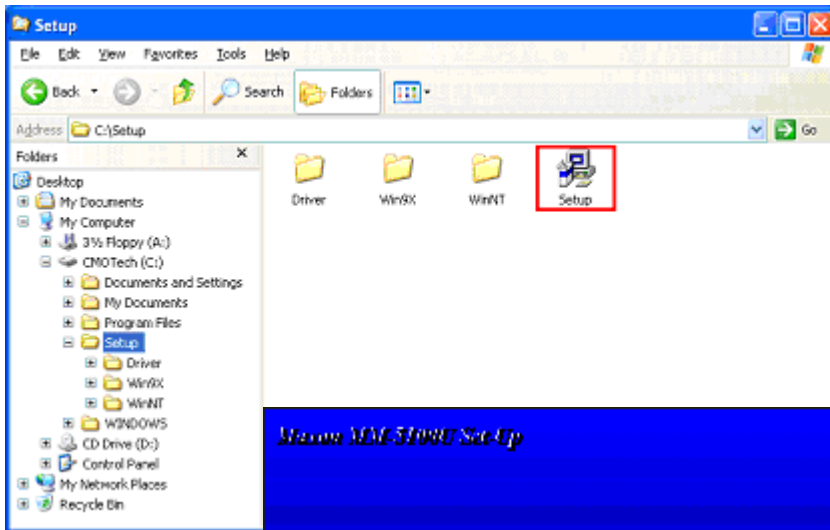
4.2.1 Install Phone UI program and MM-5100U Modem

Don't connect MM-5100U Modem to your PC before the denotation of connection. If you already connect the MM-5100U Modem to your PC, remove the MM-5100U and then double click the icon of "Setu.exe".

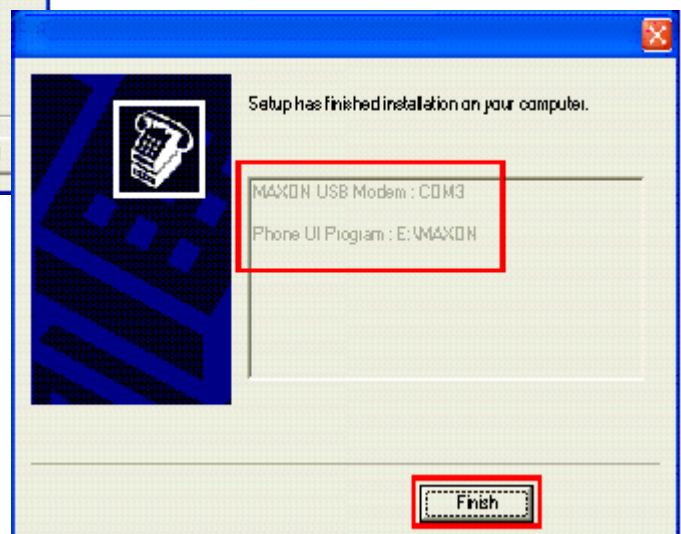
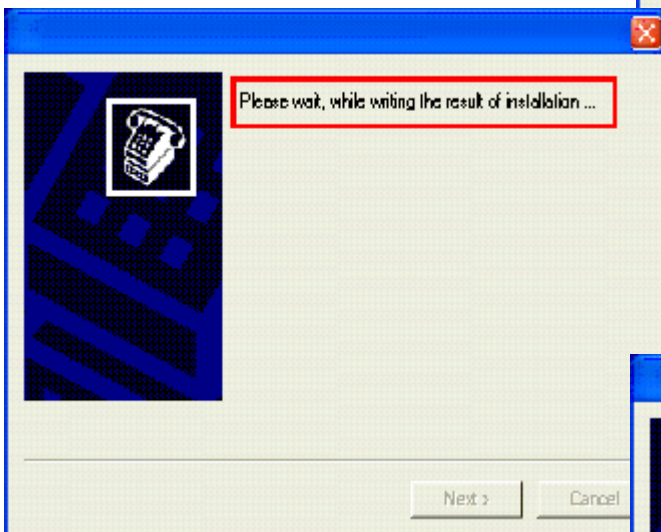
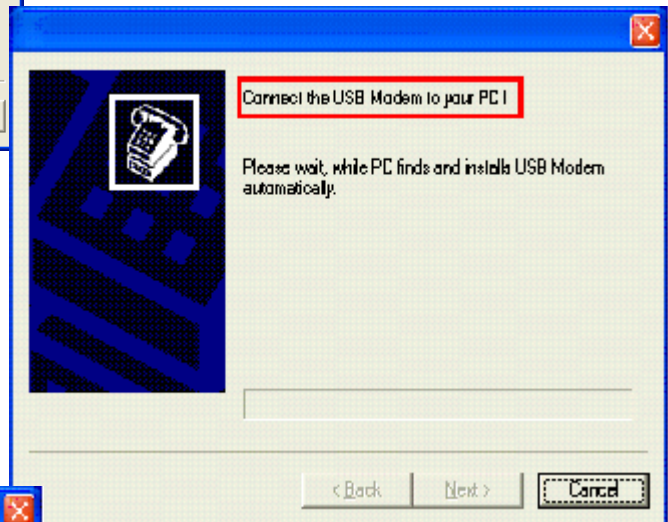
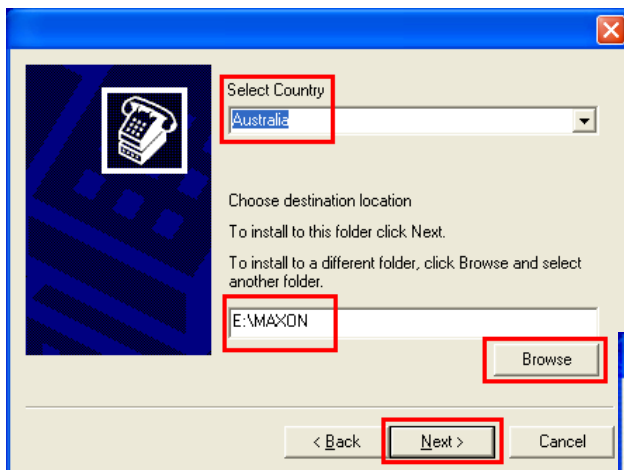
It's very important that you must install MM-5100U Modem by this procedure!

Procedure of Setup MM-5100U Modem

1. Remove MM-5100U Modem from PC.
2. Execute "Setup.exe" file
3. Choose the installation location.
4. Connect MM-5100U Modem to PC.
5. Wait during PC installs drivers and Modem automatically.
6. Restart PC with connecting MM-5100U Modem.
7. Finish and check the installation and MM-5100U Modem.



FCC Documentation- MM-5100U CDMA 1X Voice/Data Modem



11/21

Confidential and proprietary information
This document is the sole and exclusive property of Maxon Australia.
Not to be distributed or divulged without prior written agreement.

4.2.2 Connect **ear-piece** to the ear-jack connector if you want to use as a phone.

Microphone and earphone signals for Voice Call are provided to interface with headset directly.

1. Connect the ear-piece plug firmly the ear-jack port hole.
2. Wear the Ear-piece to the left or right ear and adjust the ear-piece to fit to your ear firmly.
 - Press for more than a second during buzzer ringing for receiving voice call
 - Press for more than a second when redial, this time you heard dialing sound

When adjusting the volume on the unit, please refer to the "MM-5100U Software manual" for detail information.

4.2.3 LED display

Table 4.2.1 LED function descriptions

Function	LED Color		
	RED	GREEN	YELLOW
POWER ON	ON	OFF	OFF
ACQUISITION- Fail	FLASH	OFF	OFF
ACQUISITION- OK (IDLE)	OFF	ON	OFF
VOICE CALL	ON	ON	OFF
DATA CALL	OFF	ON	FLASH
DORMANT	OFF	ON	ON

5. Circuit description

5.1 MM-5100U CDMA 1X Modem circuit description

The MM-5100U CDMA modem consists of the CDMA Engine, power generation part, digital part, RF part and connectors. The Fig 1-1 is block diagram of MM-5100U CDMA 1X modem.

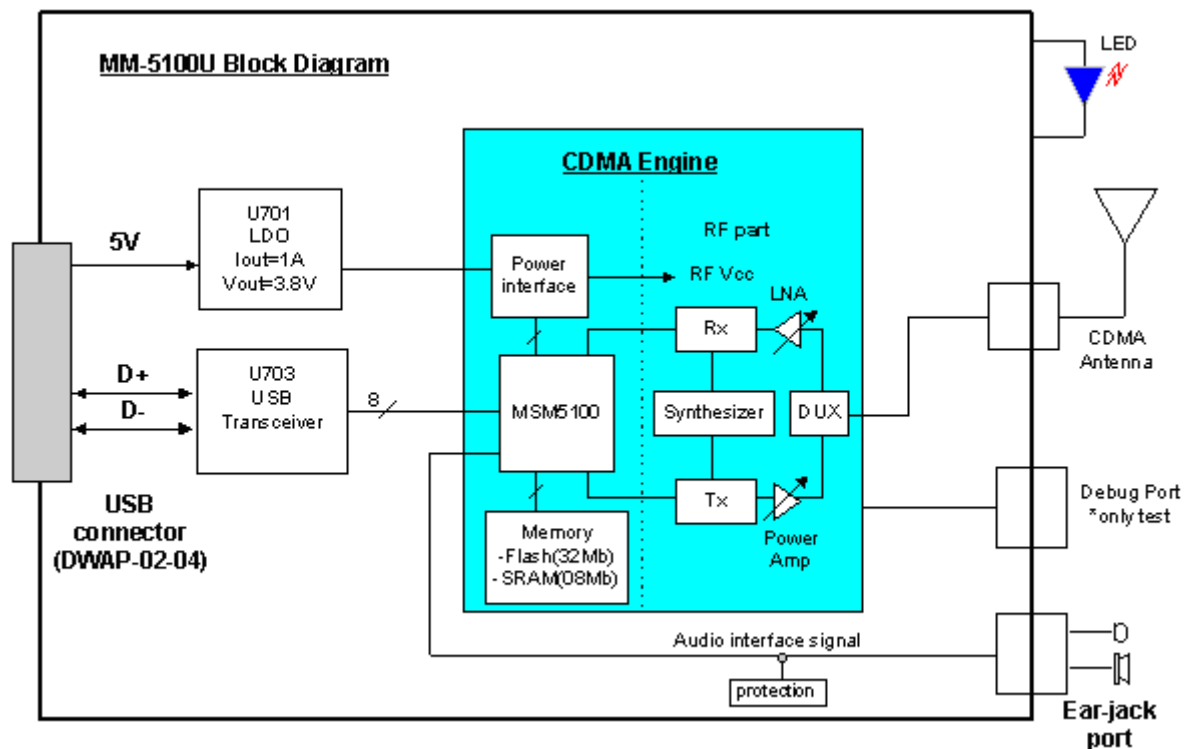


Figure 4.1 MM-5100U CDMA 1X modem block diagram

5.2 Power interface part

DC Power is supplied from the USB connector.

- LDO(U701): This component is low dropout regulator. Output voltage is about 3.8V DC.
This LDO output voltage is inputted to CDMA Engine power interface.

Each block of CDMA Engine uses low-drop-output linear regulator.

- U500 : voltage regulator for digital circuit (2.8 DC)
- U501 : voltage regulator for VC-TCXO and IFR3300 (3.0V DC)
- U502 : voltage regulator for RF Rx part (3.0V DC)
- U503 : voltage regulator for RF Tx part (2.85V DC)
- U505 : voltage regulator for digital part(2.7V DC)
- And power AMP is directly supplied.

5.3 Digital part

- U400 : MSM(Mobile Station Modem) ASIC is chip responsible for CDMA/FM mobile station's base-band digital signal processing. For this chip to function, TCXO(19.2MHz) is required as basic clocks.

And sleep crystal (32.768KHz) is used as clock source of MSM ASIC.

MSM consists of CDMA core and DFM core. CDMA core is a part for processing CDMA signal consisting of modulator/demodulator, interleaver/deinterleaver and encoder/decoder in the CDMA mode.

- U401: Memory part consists of Flash memory and SRAM.

Flash memory: store to main program.

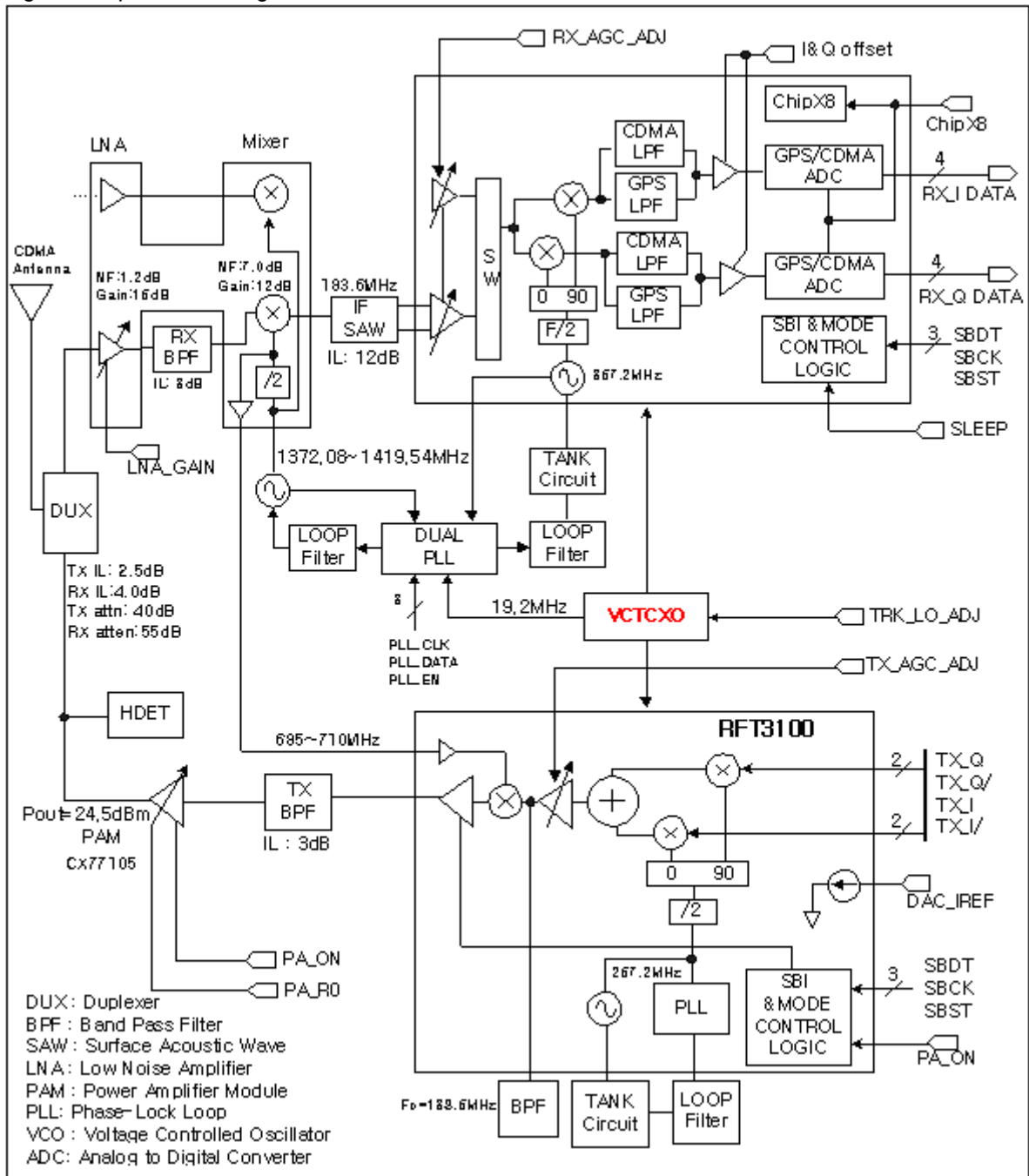
SRAM: performs to read and write data

- U703: USB transceiver is fully compliant with the USB specification Rev1.1.

5.4 RF part

RF part consists of synthesizing part, transmission and reception part.

Fig 4.2 RF part block diagram



5.4.1.1 Frequency synthesizing part

Frequency synthesizing part called PLL Synthesizer consists of three synthesizer circuit which is first local synthesizer, Tx IF synthesizer and Rx IF synthesizer. The first local synthesizer generates the primary local system oscillation frequency, operating over 1372.08 ~ 1419.54 MHz frequency range. Tx IF and Rx IF synthesizer generate the second local oscillation frequency, 267.2 MHz and 367.2 MHz respectively.

5.4.1.2 Receiving part

- Duplexer. The duplexer filters the RF signal transmitted through Antenna and sends the signals to LNA.
- LNA. This part in front-end is used to amplify the received signal with low noise figure
- Down converter. It acts as a mixer using first local frequency to produce the desired signal in the mid-range frequency of 183.6 MHz.
- Rx AGC. This part is designed to control the gain of the dynamic range of midrange frequency produced in down converter according 80 dB dynamic range.

Currently, previous BBA is divided into IFR3300(Rx IF-baseband converter) and RFT3100(Tx baseband-IF converter). IFR3300 acts as the baseband analog processor which processing the signals between the IFR3300 and digital processing circuit.

In the while, RFT3100 consists of Tx AGC and Tx part analog processor of previous BBA.

5.4.1.3 Transmission part

- Tx AGC. It is designed to be gain-controlled from 84 dB dynamic range. The gain of this part is controlled by MSM using digital control signal.
- Up converter. This part mixes the IF transmission frequency 138.6 MHz and the first local 1372.08 ~ 1419.54 MHz to generate transmission frequency of 824.64 ~ 848.37 MHz.
- Power AMP module. This part is designed to work in 824 MHz ~ 849 MHz frequency range in the CDMA mode and can generate the proper output power. The DC voltage into the power amp module is typical 3.8V.

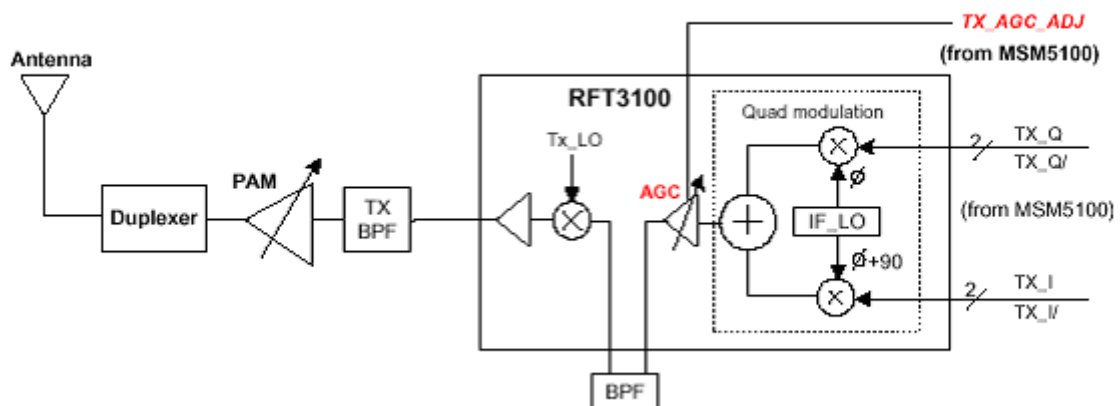
FCC Documentation (MM-5100U)

6. Range of operating power levels and description of means for variation of operating power

Dynamic range of output power is from -56dBm to $+24.5\text{dBm}$ with $\pm 0.3\text{dB}$ variation in CDMA mode.

A temperature-compensated TX AGC (Automatic Gain Control) amplifier with 85dB gain range is included in the RFT3100. The transmit output power level is directly controlled by varying the gain of this TX AGC amplifier. A DC input voltage from the MSM5100 linearly controls the gain of the TX AGC amplifier.

The 84 dB dynamic range is 39 dB when the voltage 2.8V and -45 dB in 0.1V. The 81 dB dynamic range (0.3V ~ 2.4V) gain is used in this CDMA card.



FCC Documentation (MM-5100U)

7. Description of frequency determining and stabilizing circuitry

Frequency synthesizing part is composed of the first local RX IF synthesizer which is single mode PLL synthesizer and the internal Tx IF and Rx IF synthesizer which are in RFT3100 and IFR3300 chip. These parts generate the first local oscillation frequency, Rx IF frequency and Tx IF frequency.

- First local frequency Synthesizer : 1372.08 MHz ~ 1419.54 MHz

PLL loop is composed of single PLL synthesizer, Loop filter, VCO and VC-TCXO

It generates transmission and reception frequency of 9551372.08 MHz ~ 1419.54 MHz

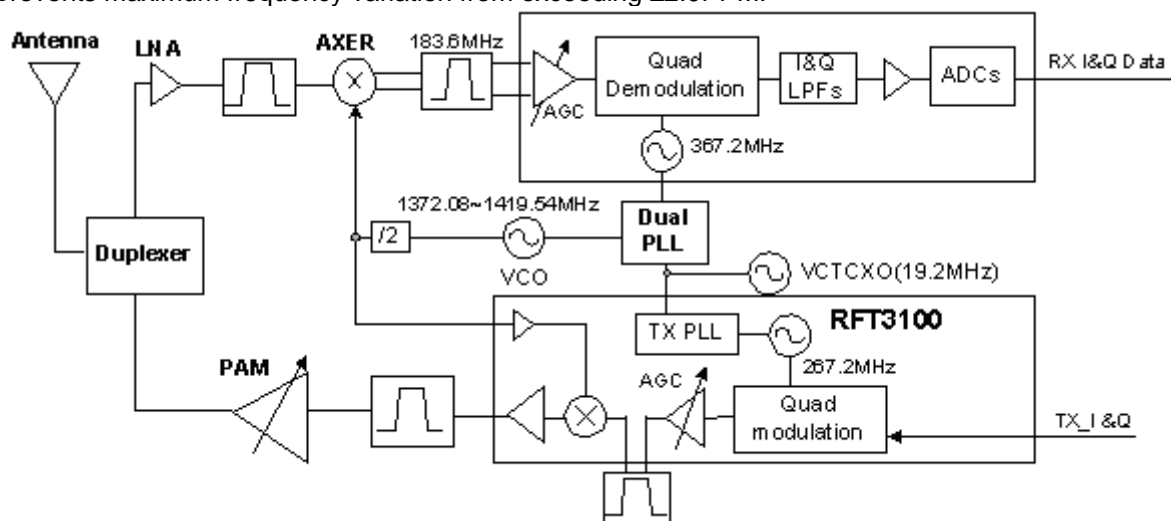
- Rx IF synthesizer : 367.2 MHz

Rx IF PLL loop is consisted of PLL synthesizer in the PLL module, VCO built in IFR3300, loop filter and VC-TCXO(Crystal oscillator 19.2 MHz). It oscillates twice the intermediate receiving frequency of 367.2 MHz and then generates 183.6 MHz, Rx IF frequency.

- Tx IF Synthesizer : 267.2 MHz

The configuration of PLL loop is composed of PLL Synthesizer, VCO which is internally installed, loop filter and VC-TCXO(19.2 MHz). It oscillates twice of the transmission intermediate frequency of 267.2 MHz and then generates Tx IF frequency of 138.6 MHz through the PLL loop.

The frequency of 19.2 MHz generated from the VC-TCXO is the main clock of each the frequency synthesizer part. PLL frequency stability is determined by the stability of oscillator of VC-TCXO. This prevents maximum frequency variation from exceeding ± 2.0 PPM.



8. Description of circuit employed for suppression of spurious radiation

In the CDMA transmit signal path, the frequency spectrum at the output of the CDMA DACs contains unwanted frequency components due to the DAC output transition edges and transients. The transmit clock frequency and harmonics are found in the spectrum.

Each CDMA DAC is followed by an anti-aliasing low-pass filter with a bandwidth of 630 KHz that reduces unwanted frequency components installed in MSM5100. And then Tx IF frequency from the RFT3100 is filtered by band-pass filter. The nominal specification of the filter is as following.

- Nominal center frequency : 138.6 MHz
- 3 dB Bandwidth : ± 630 kHz
- Stop band attenuation : 40dB min.

The Tx RF output of the Tx Mixer and the AGC amp is filtered again by the SAW band pass filter. The nominal specification of the filter is as follows.

- Pass band : 824 MHz ~ 869 MHz
- Attenuation : DC ~ 800MHz : 22 dB min.
869 MHz ~ 1049 MHz : 25 dB min.
1049 MHz ~ 2000 MHz : 19 dB min.

Finally, the spurious generated from Power AMP is filtered by the duplexer. The nominal specification of the duplexer is as follows

- TX Pass band : 824 MHz ~ 869 MHz
- Attenuation : 869 MHz ~ 894 MHz : 40 dB min.

9. Description of modulation system used

The MM-5100U CDMA card consists of MSM, baseband analog interface (RFT31000, IFR3300) as modulation system. The MSM integrates functions of a CDMA processing, a digital FM(DFM) processing, CDMA subsystem in the MSM performs CDMA signal processing about CDMA modulation / demodulation, viterbi coding/decoding, interleaving/de-interleaving, and etc.

The CDMA baseband processor performs forward-link demodulation, time tracking and reverse-link modulation for CDMA digital signals. The following figure shows a CDMA digital baseband processor block diagram.

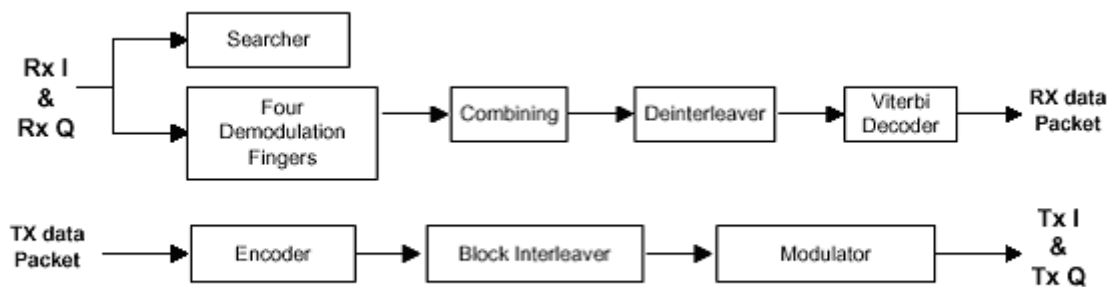


Figure 8-1 CDMA digital Baseband Block Diagram

The modulator performs the orthogonal modulation, long code PN spreading and quadrature spreading. The resulting data stream is then band limited with FIR filters and sent to the analog baseband processor.

The RFT3100 Transmit Signal Path (shown in figure 8-2) accepts analog I and Q data from the MSM and outputs modulated IF centered at 138.6 MHz to the RF transmitter. The RFT3100 transmit path outputs a differential IF signal with spread spectrum modulation expending $\pm 630\text{KHz}$ from the transmit IF center frequency of 138.6 MHz.

The analog I and Q baseband components from the CDMA low-pass filters are mixed in quadrature with unmodulated I and Q signals at 138.6 MHz. After mixing, the I and Q IF components are summed and output differentially. The 138.6 MHz I and Q IF VCO signals are generated on the RFT3100.

The transmitter IF VCO is set to 267.2 MHz by an external varactor-tuned resonant tank circuit. An internal phase-lock loop and external loop filter network provides the feedback to the varactor that tune the VCO precisely to 267.2 MHz. A master-slave divide-by-two circuit generates I and Q signals in precise quadrature for the mixers.