

INSTALLATION INSTRUCTIONS

24" (61.0 CM) ELECTRIC SINGLE AND DOUBLE BUILT-IN OVEN

Table of Contents

BUILT-IN OVEN SAFETY	1
INSTALLATION REQUIREMENTS	2
Tools and Parts.....	2
Location Requirements	2
Electrical Requirements.....	3
INSTALLATION INSTRUCTIONS	4
Prepare Built-In Oven	4
Oven Door.....	4
Make Electrical Connection.....	5
Install Oven	7
Complete Installation.....	8

BUILT-IN OVEN SAFETY

Your safety and the safety of others are very important.

We have provided many important safety messages in this manual and on your appliance. Always read and obey all safety messages.



This is the safety alert symbol.

This symbol alerts you to potential hazards that can kill or hurt you and others.

All safety messages will follow the safety alert symbol and either the word "DANGER" or "WARNING."

These words mean:

⚠ DANGER

You can be killed or seriously injured if you don't immediately follow instructions.

⚠ WARNING

You can be killed or seriously injured if you don't follow instructions.

All safety messages will tell you what the potential hazard is, tell you how to reduce the chance of injury, and tell you what can happen if the instructions are not followed.

IMPORTANT:

Save for local electrical inspector's use.

INSTALLATION REQUIREMENTS

Tools and Parts

Gather the required tools and parts before starting installation. Read and follow the instructions provided with any tools listed here.

Tools needed

- Phillips screwdriver
- Measuring tape
- Hand or electric drill (for wall cabinet installations)
- 1" (25 mm) drill bit (for wall cabinet installations)
- Level

Parts needed

- UL listed or CSA approved conduit connector
- UL listed wire connectors

Parts supplied

- 0.188 x 2.1" screws - single oven (4), double oven (6)

Check local codes. Check existing electrical supply. See "Electrical Requirements."

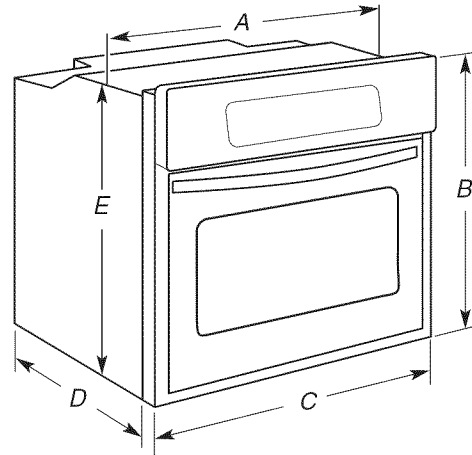
It is recommended that all electrical connections be made by a licensed, qualified electrical installer.

Location Requirements

IMPORTANT: Observe all governing codes and ordinances.

- Cabinet opening dimensions that are shown must be used. Given dimensions provide minimum clearance with oven.
- Recessed installation area must provide complete enclosure around the recessed portion of the oven.
- Grounded electrical supply is required. See "Electrical Requirements" section.
- Electrical supply junction box should be located in the upper right corner, 4" (10.2 cm) below the upper cut out surface of the cabinet.
- Oven support surface must be solid, level and flush with bottom of cabinet cutout. Floor must be able to support a single oven weight of 154 lbs (70 kg) or a double oven weight of 287 lbs (130 kg).

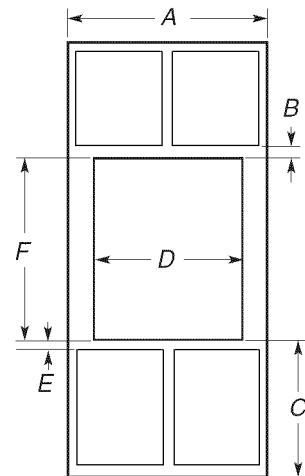
Product Dimensions - Single Oven



- A. 22 $\frac{1}{4}$ " (56.5 cm) max. recessed width
- B. 29 $\frac{5}{8}$ " (75.3 cm) max. overall height
- C. 23 $\frac{7}{8}$ " (60.6 cm) overall width
- D. 22 $\frac{5}{8}$ " (57.5 cm) max. recessed depth
- E. 27 $\frac{1}{8}$ " (70.8 cm) recessed height

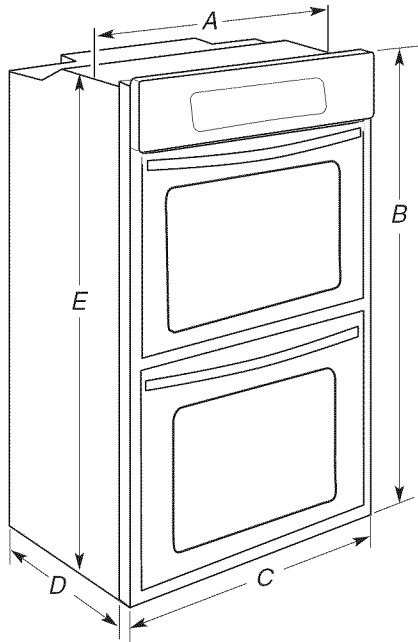
Cabinet Dimensions - Single Oven

Single Oven Installed in Cabinet



- A. 24" (61 cm) min. cabinet width
- B. 1 $\frac{1}{2}$ " (3.8 cm) top of cutout to bottom of upper cabinet door
- C. 33 $\frac{1}{4}$ " (84.5 cm) min. bottom of cutout to floor
- D. 22 $\frac{3}{8}$ " (56.8 cm) cutout width
- E. 1 $\frac{1}{2}$ " (3.8 cm) min. bottom of cutout to top of cabinet door
- F. 28 $\frac{11}{16}$ " (72.9 cm) cutout height

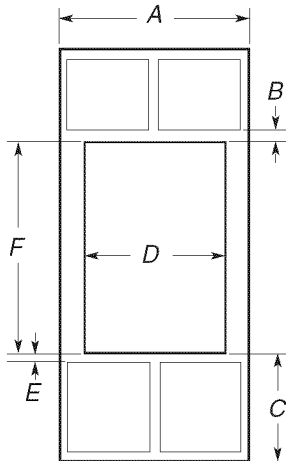
Product Dimensions - Double Oven



- A. 22 $\frac{1}{4}$ " (56.5 cm) max. recessed width
- B. 46 $\frac{5}{16}$ " (117.6 cm) max. overall height
- C. 23 $\frac{7}{8}$ " (60.6 cm) overall width
- D. 22 $\frac{5}{8}$ " (57.5 cm) max. recessed depth
- E. 44 $\frac{5}{8}$ " (113.4 cm) recessed height

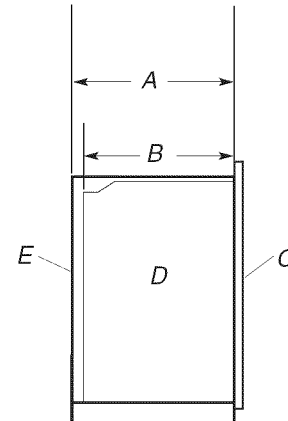
Cabinet Dimensions - Double Oven

Double Oven Installed in Cabinet



- A. 24" (61 cm) min. cabinet width
- B. 1 $\frac{1}{2}$ " (3.8 cm) top of cutout to bottom of upper cabinet door
- C. 17" (43.2 cm) min. bottom of cutout to floor
- D. 22 $\frac{3}{8}$ " (56.8 cm) cutout width
- E. 1 $\frac{1}{2}$ " (3.8 cm) min. bottom of cutout to top of cabinet door
- F. 45 $\frac{3}{8}$ " (115.3 cm) cutout height

Cabinet Side View - Double or Single Oven



- A. 24" (61 cm) min. cutout depth
- B. 22 $\frac{5}{8}$ " (57.5 cm) recessed oven depth
- C. Oven front
- D. Recessed oven
- E. Cabinet

Electrical Requirements

If codes permit and a separate ground wire is used, it is recommended that a qualified electrical installer determine that the ground path and the wire gauge are in accordance with local codes.

Check with a qualified electrical installer if you are not sure the oven is properly grounded.

This oven must be connected to a grounded metal, permanent wiring system.

Be sure that the electrical connection and wire size are adequate and in conformance with the National Electrical Code, ANSI/NFPA 70-latest edition or CSA Standards C22.1-94, Canadian Electrical Code, Part 1 and C22.2 No. O-M91-latest edition, and all local codes and ordinances.

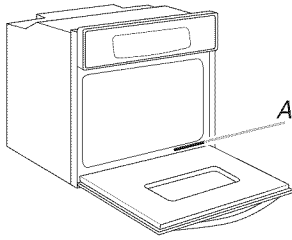
A copy of the above code standards can be obtained from:

National Fire Protection Association
 One Batterymarch Park
 Quincy, MA 02269
 CSA International
 8501 East Pleasant Valley Road
 Cleveland, OH 44131-5575

Electrical Connection

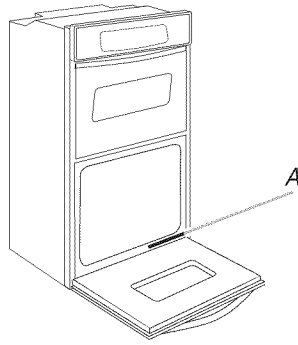
To properly install your oven, you must determine the type of electrical connection you will be using and follow the instructions provided for it here.

- Oven must be connected to the proper electrical voltage and frequency as specified on the model/serial number rating plate. The model/serial number rating plate is located at the bottom right-hand oven surface. See the following illustration.



Single Oven

A. Model/serial number plate



Double Oven

A. Model/serial number plate

- Double oven model rated from 6.5 kw to 8.6 kw at 208 V to 240 V requires a separate 40 amp circuit.
- Single oven model rated at 4.4 kw to 5.8 kw at 208 V to 240 V requires a separate 30 amp circuit.

- A circuit breaker (or time-delay fuse) is recommended.
- Connect directly to the circuit breaker box (or fused disconnect) through flexible, armored or nonmetallic sheathed, copper cable (with grounding wire). See “Make Electrical Connection” section.
- Flexible conduit from the oven should be connected directly to the junction box.
- Do not cut the conduit. The length of conduit provided is for serviceability of the oven.
- A UL listed or CSA approved conduit connector must be provided.
- If the house has aluminum wiring follow the procedure below:

1. Connect a section of solid copper wire to the ends of the flexible conduit leads.
2. Connect the aluminum wiring to the added section of copper wire using special connectors and/or tools designed and UL listed for joining copper to aluminum.

Follow the electrical connector manufacturer's recommended procedure. Aluminum/copper connection must conform with local codes and industry accepted wiring practices.

INSTALLATION INSTRUCTIONS

Prepare Built-In Oven

1. Decide on the final location for the oven. Locate existing wiring to avoid drilling into or severing wiring during installation.

⚠ WARNING

Excessive Weight Hazard

Use two or more people to move and install oven.

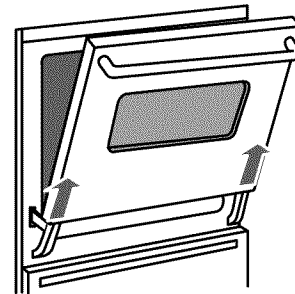
Failure to do so can result in back or other injury.

2. To avoid floor damage, set the oven onto cardboard prior to installation. Do not use handle or any portion of the front frame or trim for lifting.
3. Remove the shipping materials and tape from the oven.
4. Remove the hardware package from inside the bag containing literature.
5. Remove and set aside racks and other parts from inside the oven.
6. Move oven and cardboard close to the oven's final location.

Remove Oven Door.

IMPORTANT: Use both hands to remove oven doors.

1. Open door to the broil stop position (about 4 to 6 inches).
2. Grasp sides of the door at the middle. Slowly lift door straight up.



3. While lifting the door up, very slightly open the door by pulling it forward. Check that the latches swing down into the notches on the hinge arms.

Make Electrical Connection

For Double Ovens

⚠ WARNING



Electrical Shock Hazard

- Disconnect power before servicing.**
- Use 8 gauge solid copper wire.**
- Electrically ground oven.**
- Failure to follow these instructions can result in death, fire, or electrical shock.**

For Single Ovens

⚠ WARNING



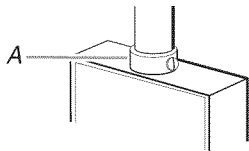
Electrical Shock Hazard

- Disconnect power before servicing.**
- Use 12 gauge solid copper wire.**
- Electrically ground oven.**
- Failure to follow these instructions can result in death, fire, or electrical shock.**

Make Electrical Connection

This oven is manufactured with a neutral (white) power supply wire and a cabinet-connected green (or bare) ground wire twisted together.

1. Disconnect power.
2. Feed the flexible conduit from the oven through the opening in the cabinet.
3. Remove junction box cover, if it is present.
4. Install a UL listed or CSA approved conduit connector to the junction box.



A. UL listed or CSA approved conduit connector

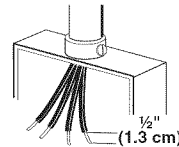
5. Route the flexible conduit from the oven to the junction box through a UL listed or CSA approved conduit connector.
6. Tighten screws on conduit connector.
7. See “Electrical Connection Options Chart” to complete installation for your type of electrical connection.

Electrical Connection Options Chart

If your home has:

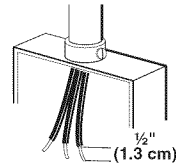
Go to section:

4-wire



4-wire Cable from Home Power Supply

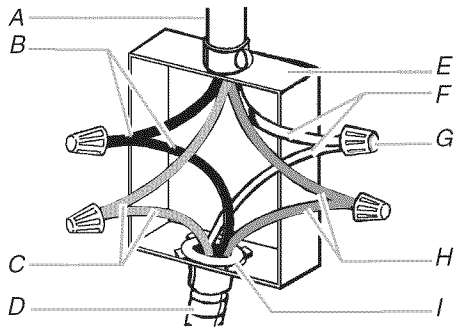
3-wire



3-wire Cable from Home Power Supply

4-Wire Cable from Home Power Supply

IMPORTANT: Use the 4-wire cable from home power supply in the U.S. where local codes do not allow grounding through neutral, New Branch circuit installations (1996 NEC), mobile homes and recreational vehicles, new construction and in Canada.

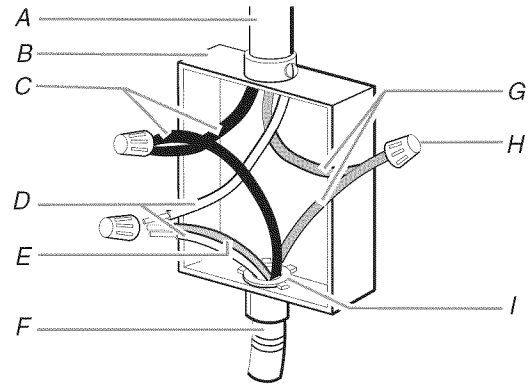


- | | |
|--------------------------------------|--|
| A. Cable from home power supply | F. White wires |
| B. Black wires | G. UL listed wire connectors |
| C. Red wires | H. Green (or bare) ground wires |
| D. 4-wire flexible conduit from oven | I. UL listed or CSA approved conduit connector |
| E. Junction box | |

1. Connect the 2 black wires (B) together using a UL listed wire connector.
2. Connect the 2 red wires (C) together using a UL listed wire connector.
3. Untwist white wire from green (or bare) ground wire coming from the oven.
4. Connect the 2 white wires (F) together using a UL listed wire connector.
5. Connect the green (or bare) ground wire (H) from the oven cable to the green (or bare) ground wire (in the junction box) using a UL listed wire connector.
6. Install junction box cover.

3-Wire Cable from Home Power Supply - U.S. Only

IMPORTANT: Use the 3-wire cable from home power supply where local codes permit a 3-wire connection.



- | | |
|--|--|
| A. Cable from home power supply | F. 4-wire flexible conduit from oven |
| B. Junction box | G. Red wires |
| C. Black wires | H. UL listed wire connectors |
| D. White wires | I. UL listed or CSA approved conduit connector |
| E. Green (or bare) ground wire (from oven) | |

1. Connect the 2 black wires (C) together using a UL listed wire connector.
2. Connect the 2 white wires (D) and the green (or bare) ground wire (of the oven cable) using a UL listed wire connector.
3. Connect the 2 red wires (G) together using a UL listed wire connector.
4. Install junction box cover.

Install Oven

⚠ WARNING

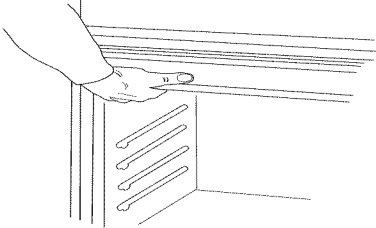
Excessive Weight Hazard

Use two or more people to move and install oven.

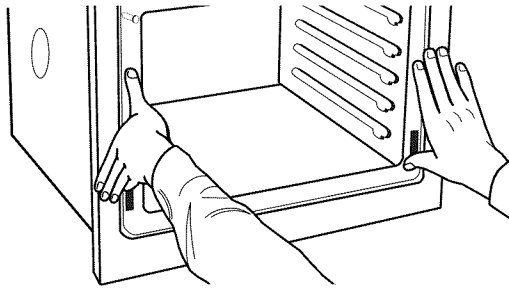
Failure to do so can result in back or other injury.

1. Using 2 or more people, lift oven partially into cabinet cutout. Use the oven opening as an area to grip.

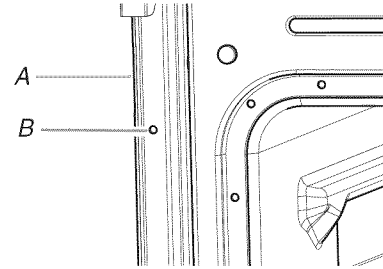
NOTE: Push against seal area of oven front frame when pushing oven into cabinet. Do not push against outside edges.



2. Push oven completely into cabinet and center oven into cabinet cutout.



3. Securely fasten oven to cabinet using the 0.188 x 2.1" screws (4 for single oven, 6 for double oven) provided. Insert the screws through holes in decorative trim. To avoid cabinet damage, use the 0.140" diameter (number 28) drill bit to pre-drill the pilot holes before driving screws. Do not overtighten screws.



A. Decorative trim
B. Insert screw.

4. Replace oven racks.
5. Grasp sides of the door and align slots in door with the hinge arms.
6. Slightly pull the door open as you slide the door down onto the hinge arms. The sliding action of the door will disengage the latches on the hinge arms.
7. Gently push the door downward until the door rests evenly on the hinges.
8. Close door.
9. Repeat for lower oven door.
10. Reconnect power.
11. Display panel will light briefly, and "PF" should appear in the display.
12. If display panel does not light, please reference the "Assistance or Service" section of the Use and Care Guide or contact the dealer from whom you purchased your oven.

Complete Installation

1. Check that all parts are now installed. If there is an extra part, go back through the steps to see which step was skipped.
2. Check that you have all of your tools.
3. Dispose of/recycle all packaging materials.
4. For oven use and cleaning, read the Use and Care Guide.

Check Operation of Oven(s)

1. Turn power on. The time should flash in the display.
2. Check that the oven door(s) is closed
3. Turn on the oven(s) Broil function. See the User Instructions for more information.

If oven(s) does not operate, check the following:

- Household fuse is intact and tight; or circuit breaker has not tripped.

- Electrical supply is connected.
 - See “Troubleshooting” section in the Use and Care Guide.
4. When oven has been on for 5 minutes, feel for heat. If you do not feel heat or if an “F” followed by a number appears in the display, turn off the oven and contact a qualified technician.
 5. Press CANCEL.

If you need Assistance or Service:

Please reference the “Assistance or Service” section of the Use and Care Guide or contact the dealer from whom you purchased your built-in oven.