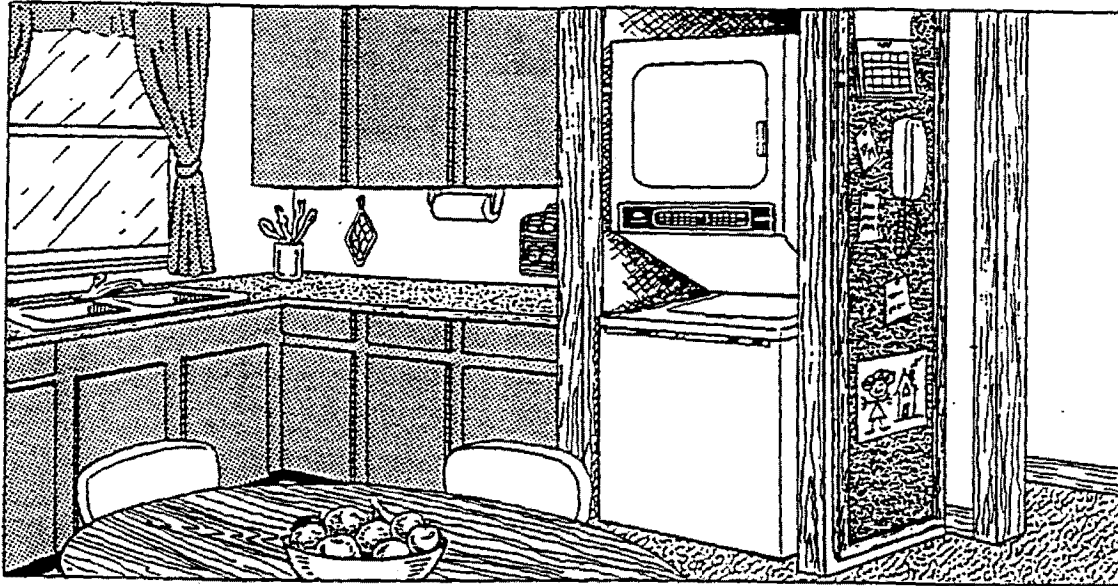


240 Edwards Street, SE  
Cleveland, Tennessee 37311  
Tel: 423-472-3333  
Fax: 423-478-6710

**STACKED WASHER - DRYER  
INSTALLATION INSTRUCTIONS**



**IMPORTANT TO INSTALLER**

**REMOVE THE DOOR FROM ALL DISCARDED APPLIANCES SUCH AS DRYERS AND COMBINATION WASHER/DRYERS TO AVOID THE DANGER OF A CHILD SUFFOCATING SHOULD HE/SHE CRAWL INSIDE AND THE DOOR BE SHUT.**

**THE DRYER MUST NOT BE INSTALLED OR STORED IN AN AREA WHERE IT WILL BE EXPOSED TO WATER AND/OR WEATHER.**

**US MODELS**

**PLEASE READ THE FOLLOWING INSTRUCTIONS CAREFULLY BEFORE STARTING TO INSTALL THE DRYER. FOR GAS DRYERS, THE INSTALLATION MUST CONFORM WITH THE NATIONAL FUEL GAS CODE ANSI Z223.1, LATEST REVISION. ANY QUESTIONS CONCERNING THIS SHOULD BE REFERRED TO THE LOCAL GAS UTILITY.**

240 Edwards Street, SE  
Cleveland, Tennessee 37311  
Tel: 423-472-3333  
Fax: 423-478-6710

## **IMPORTANT TO OWNER**

Retain these instructions for future reference.

This new Maytag appliance is designed to serve you dependably for many years. However, it cannot do so unless provided with sufficient electrical power, suitable exhausting and if a gas model, adequate gas supply. We urge you to read this carefully to make sure all requirements are met.

Operating instructions, safety precautions and your warranty are in the accessory package with each appliance. Read the operating instructions carefully.

**NOTE:** A wiring diagram for the dryer is located on the inside of the dryer access panel. A wiring diagram for the washer is located on the inside of the washer front panel.

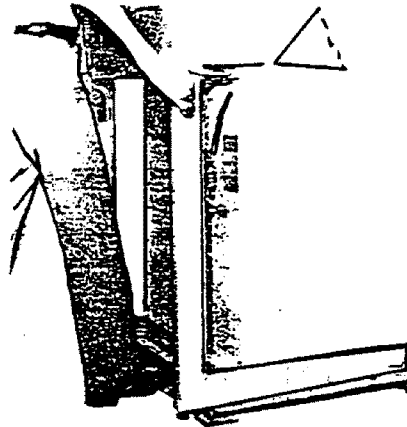
## **UNCRATING**

To remove carton, cut around bottom of carton on or below dotted line. Cut down each corner of carton (vertically) and "peel" carton away from stacked washer/dryer. Fold carton material for removal. Check the unit for shipping damage.

The control cable for the washer is taped to the rear of the dryer stand at the bottom. Remove tape from control cable and temporarily place end of control cable in dryer vent.

From the back of the Stacked Washer/Dryer, grasp the dryer and stand. Pull dryer and stand back and off of washer and shipping base. As dryer and stand are pulled back, carefully drop dryer stand rear legs to the floor before clearing shipping base. (Do not drop dryer and stand off of shipping base!).

240 Edwards Street, SE  
 Cleveland, Tennessee 37311  
 Tel: 423-472-3333  
 Fax: 423-478-6710



Untape and open washer lid. Remove installation accessory package, fill hoses and drain hose and close lid. Leave tub block in place until installation is complete. Be sure to remove tub block after installation is complete and before use.!

Using the carton corner posts stacked in pairs, lay the washer on the posts on the left side. Remove the crate base wires from the carton base. Use pliers or screwdriver to pry wires from wood. (Do not kick the shipping base off of the washer).

Run the washer rear legs all the way up into the rear corner brackets and lock in place by tightening lock nuts. Leave the front legs loose for leveling in a following step.

Install vinyl feet on the washer legs.

With the washer laying down, check belt tension and motor track freedom. Lay a piece of the shipping cardboard along the bottom edge of the cabinet and stand the washer back up. (The cardboard protects the lower edge at the cabinet and the floor when standing the washer back up).

**NOTE:** With the rear washer legs adjusted up, cabinet corner brackets in the rear can touch and damage floor if caution is not used when moving washer

The dryer and stand are installed first. Necessary electrical, gas, (if gas stacked washer/dryer) and vent connections are made as dryer and stand are put in position and leveled. Let's first look at what facilities are needed.

240 Edwards Street, SE  
Cleveland, Tennessee 37311  
Tel: 423-472-3333  
Fax: 423-478-6710

## PREINSTALLATION CONSIDERATIONS

**Location:** The stacked washer/dryer is approved for zero clearance installation on the sides and the back (depending on venting used). The location selected must take into consideration the dimensions of the unit and convenience for customer use and access in case service should be needed. The floor must be capable at supporting the weight of the unit (approximately 340 pounds) plus water (approximately 130 pounds) and be stable enough to prevent excessive vibration in spin cycles. A floor which is adequate for the standard washer is sufficient for the stacked washer/dryer.

The following specifications and drawings show dimensions and locations of fill valve, terminal block (electric dryer) gas inlet (gas dryer) and drain outlet.

## STACKED WASHER AND DRYER

**Basic Dimensions** 27 1/2" W x 27 1/2" D x 73" H (min). See drawings for complete dimensions. **Uncrated Weight:** Approximately 340 pounds.

## KEY FACTS - WASHER

**Capacity:** Standard (16 gallons)

**Water Usage:** (full cycle) - 36 (30 Imp.) gal: 136 liters - large  
30 (25 Imp.) gal: 114 liters - medium  
24 (20 Imp.) gal: 91 liters - small

**Motor:** 1/2 H.P. rated; 115 volt; 60 Hz; reversible; thermoprotected against overload; automatic reset. Model LDE7804 available in 220-240 volt; to Hz.

**Power:** 0.1 - 0.17 kwh depending on cycle.

**Hose Lengths:** Inlet 5 feet (1.52 m); drain 4 feet (1.22 m).

**Installation Requirements:** Hot and cold water connections with water pressure within 30-120 p.s.i. (2.11-8.44 kg/cm) range; 120F to 140F hot water; a drain; a 120 volt, 60Hz electrical outlet properly grounded and protected by a 15 amp fuse.

**Uncrated Weight:** Approximately 340 pounds.

240 Edwards Street, SE  
 Cleveland, Tennessee 37311  
 Tel: 423-472-3333  
 Fax: 423-478-6710

## KEY FACTS - DRYER

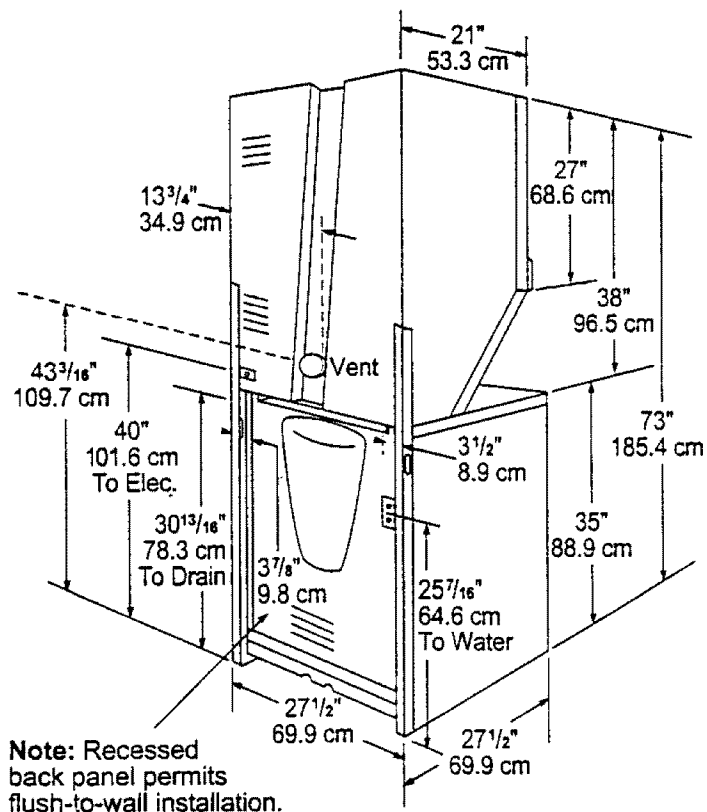
**Air Flow:** 180 cubic feet per minute.

**Exhaust:** 4 inch (10.2 cm) duct permits a maximum of 50 feet (15.4 m) rigid aluminum ductwork. Subtract 8 feet (2.44 m) for each 90 degree elbow and 8 feet for an exhaust hood. Dryer vented out of the back.

**Motor:** 1/4 H.P. rated; 115 volt; 60 Hz; thermoprotected against overload; automatic reset.

**Export Model - Model LDE7804** available in 220-240 volt; 50 Hz.

**Heat Source:** Electric - Nichrome helix coil, 240 volt 3-wire, 4600 watts, 30 amp fuse.  
 Gas - Single port burner; 18,000 BTU/hr; electric ignition; automatic shut-off.

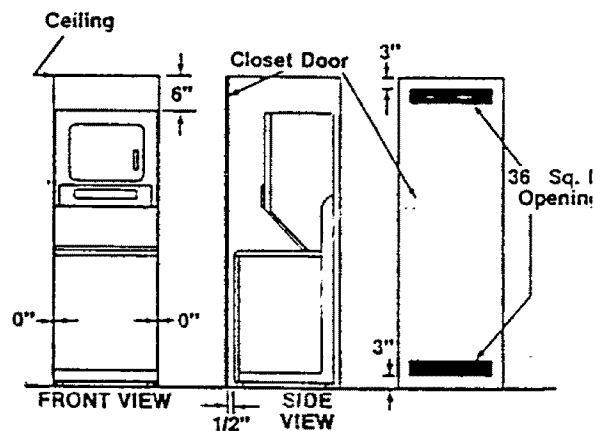


240 Edwards Street, SE  
 Cleveland, Tennessee 37311  
 Tel: 423-472-3333  
 Fax: 423-478-6710

## ALCOVE OR CLOSET INSTALLATION

When the stacked washer/dryer is to be installed in an alcove area or a closet, clearance should be provided around the unit for an adequate air supply and for ease of installation and servicing. An appliance installed in a closet shall have no other fuel burning appliance installed in the same closet, such as gas furnace, water heater or space heater, etc.

The dryer must be exhausted to the outside to minimize excessive lint accumulation and to maintain good drying. We recommend allowance for more clearance than the minimum installation clearances as shown.



Each opening area must have a minimum of 36 square inches. These openings must not be obstructed. (Louvered door with equivalent air opening is acceptable).

## MOBILE HOME INSTALLATION

Installation of Maytag dryers certified by the American Gas Association and bearing a label stating they are suitable for installation in mobile homes, when installed in mobile homes, must conform to the Manufactured Home Construction and Safety Standard Title 24 CFR, part 32-80.

When installing a dryer in a mobile home, provisions for anchoring the dryer should be made. An anchor bracket kit is available, Part No. 303740 to fasten dryer stand to floor. Instructions for installing the anchor brackets are contained in each kit.

All mobile home installations must be exhausted to the outside with the exhaust duct termination securely fastened to the mobile home structure, using materials that will not support combustion. Exhaust the dryer using flexible metal exhausting materials and locate in an area that provides adequate make-up air. The exhaust duct may not terminate beneath the mobile home.

240 Edwards Street, SE  
Cleveland, Tennessee 37311  
Tel: 423-472-3333  
Fax: 423-478-6710

## **MAKE - UP AIR**

For proper operation of the dryer unit, it is important to make sure the location has adequate make-up air. This is especially important in any confined area such as a bathroom or closet. There must be at least two 36 inch square unobstructed openings for intake air. This can be a louvered door or other equivalent opening.

On gas dryer units in particular, adequate clearance as noted on the dryer minimum clearance label should be maintained to insure enough air for combustion and proper operation of the dryer. The area where located must not obstruct the flow of combustion or ventilating air. When installing a Maytag Stacked Washer/Dryer the following minimum clearances to combustible surfaces must be maintained; clearance to wall and sides, 0 inches, top, 6 inches, front 1/2 inch to washer, rear 0 inches with an outside exhaust, 4 inches with an inside exhaust (not recommended). See Exhausting Section and Installation Accessories for exhaust kits.

## **SERVICE ACCESS**

Location should allow access to the foot at the unit for washer and dryer service. Access must be available to two screws at the top front corners of the dryer front panel (on the top).

240 Edwards Street, SE  
Cleveland, Tennessee 37311  
Tel: 423-472-3333  
Fax: 423-478-6710

## EXHAUSTING

The free air flow rate is approximately 180 cubic feet per minute. The vent system carries lint and moisture away and to the outside. The length of the venting and the number of elbows affect the air flow rate and the efficiency of the exhaust system.

**DO NOT EXHAUST DRYER INTO ANY WALL, CEILING, CRAWL SPACE OR A CONCEALED SPACE OF A BUILDING, VENT CONNECTION, GAS VENT OR CHIMNEY. THIS COULD CREATE A FIRE HAZARD FROM LINT EXPELLED BY THE DRYER. FOR THE SAME REASON, WE RECOMMEND ONLY METAL EXHAUST DUCT TO MINIMIZE RESTRICTED AIR FLOW AND RELIABLY INSURE THE CONTAINMENT OF EXHAUST AIR, HEAT AND LINT. NEVER INSTALL A SCREEN OVER EXHAUST OUTLET. NEVER USE PLASTIC OR OTHER COMBUSTIBLE DUCTWORK. AT LEAST ONCE A YEAR, INSPECT AND CLEAN INTERIOR OF DUCTWORK. FREQUENTLY CHECK AND CLEAN VENT HOOD TO ASSURE PROPER OPERATION.**

A clothes dryer produces combustible lint and the area around the clothes dryer should be kept free of lint. **DO NOT STORE FLAMMABLE LIQUIDS OR MATERIALS NEAR A DRYER.**

It is recommended that a dryer be exhausted to the outside using 4" rigid or flexible metal ducting.

When located in a bedroom, bathroom or closet, the dryer must be exhausted to the outside.

The stacked washer/dryer can only be exhausted out the back. A 4" vent should be installed to accept the exhaust from the dryer.

To permit sufficient air circulation under the exhaust hood, there should be no less than a 12" clearance between the bottom of the exhaust hood and the ground. When possible the exhaust hood should not exhaust directly into a window well. **DO NOT** terminate exhaust under a building.

**NOTE:** Where the exhaust hood is to be installed through masonry, a special masonry saw is necessary to cut the hole.

Install the exhaust hood and secure with screws to the outside wall and seal with caulking compound.



240 Edwards Street, SE  
 Cleveland, Tennessee 37311  
 Tel: 423-472-3333  
 Fax: 423-478-6710

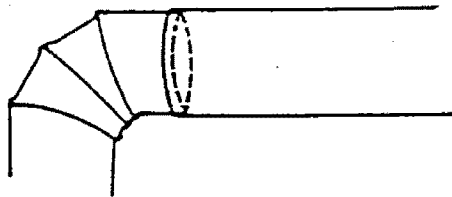
## DIRECT EXHAUST

An exhaust hood positioned to line up with the dryer exhaust pipe can be installed directly through an outside wall. This would be the shortest and most direct exhaust method.

To exhaust up, route standard 4" diameter ducting up the recess and in the cabinet back using the furnished retaining strap and screws to get nearly flush to wall installation. To exhaust to the side or down, install the furnished 4" long duct with four "S" clips to the inner dryer exhaust, then use standard 4" ducting. This will position the dryer about 4 1/2" away from the wall. Flush to wall side exhausting may be done by going above the dryer before going sideways.

When exhausting down, wallboard can be removed from the wall to get the dryer closer to the wall by placing the exhaust pipe between the studs. **Check local codes for required exhaust clearances.**

Install ductwork from the dryer to exhaust hood. All joints must be made so exhaust end of one pipe is inside the intake end of the next pipe. On flexible metal ductwork, all joints should be secured with a 304630 clamp. **DO NOT** use sheet metal screws when assembling rigid ducting. Joints should be taped.



## FLEXIBLE DUCTWORK LIMITATIONS

Flexible metal ductwork should not exceed 34' of straight 4" ducting. The exhaust hood is equivalent to 8' of duct and each 90 degree bend is equivalent to 8'. As an example if an exhaust hood is used and two 90 degree bends, the maximum straight run would be 10'.

**NOTE:** If the radius of a bend with 4" duct is 12" or greater, the bend can be considered a straight run. No more than three 90 degree bends should be used in any run with an exhaust hood.

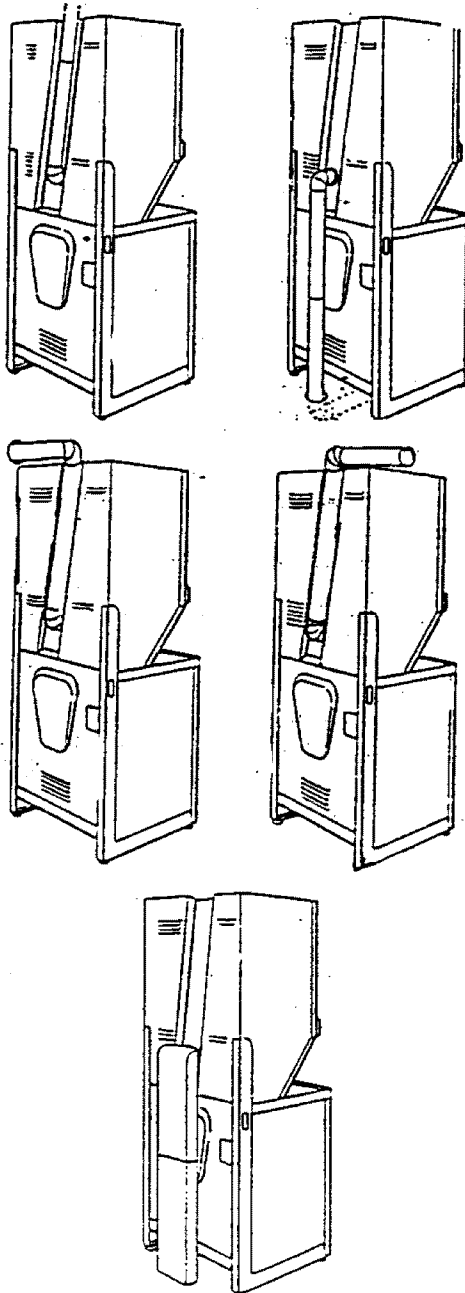
If flexible metal exhaust ducting is used, cut a short piece (about 3") off the male end of a 4" diameter metal duct pipe. The short extension can be secured to the dryer exhaust with the clips and the flexible metal duct can be clamped to the short extension.

240 Edwards Street, SE  
 Cleveland, Tennessee 37311  
 Tel: 423-472-3333  
 Fax: 423-478-6710

## RIGID DUCTWORK LIMITATIONS

Rigid metal ductwork should not exceed 50' of straight 4" duct. Each 90 degree elbow and the exhaust hood should be considered equivalent to 8' of straight ductwork.

For example, if an exhaust hood and two 90 degree elbows are used, the maximum straight duct allowed would be 26'. Not more than three 90 degree elbows should be used in any rigid ductwork run with an exhaust hood. Four feet of straight duct should be allowed between 90 degree elbows



240 Edwards Street, SE  
Cleveland, Tennessee 37311  
Tel: 423-472-3333  
Fax: 423-478-6710

## ELECTRICAL REQUIREMENTS

### OBSERVE ALL NATIONAL ELECTRICAL CODES, LOCAL CODES AND ORDINANCES

#### ELECTRICAL SERVICE - 120 VOLTS, 60 HZ ONLY WASHER-GAS DRYER

A 120 volt, 60 Hz, 15 ampere fused electrical supply is required. An individual branch (or separate) circuit serving only this appliance is recommended. **DO NOT USE AN EXTENSION CORD** unless it meets all requirements as outlined for grounding, polarizing (3-wire) and capacity. Wire size should be at least No.14.

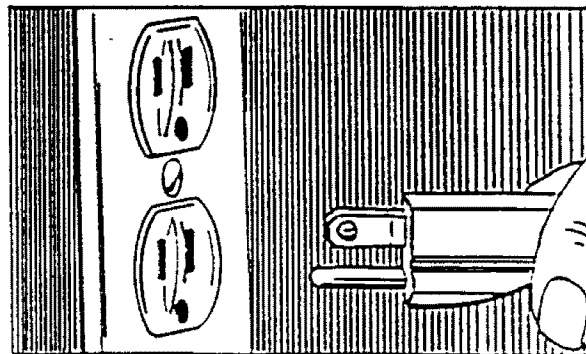
**BEFORE OPERATING OR TESTING**, follow grounding instructions in Grounding Section.

#### GROUNDING - 120 VOLTS, 60 HZ

#### IMPORTANT SAFETY PRECAUTIONS

**WARNING** - To prevent unnecessary risk of fire, electrical shock or personal injury, all wiring and grounding must be done in accordance with the National Electrical Code ANSI/NFPA, No.70, Latest Revision and local codes and ordinances. It is the personal responsibility and obligation of the appliance owner to provide adequate electrical service for this appliance.

#### ELECTRICAL GROUND IS REQUIRED ON THIS APPLIANCE



240 Edwards Street, SE  
Cleveland, Tennessee 37311  
Tel: 423-472-3333  
Fax: 423-478-6710

## GROUNDING INSTRUCTIONS

This appliance must be grounded. In the event of malfunction or breakdown, grounding will reduce the risk of electric shock by providing a path of least resistance for electric current. This appliance is equipped with a cord having an equipment-grounding conductor and a grounding plug. The plug must be plugged into an appropriate outlet that is properly grounded in accordance with all local codes and ordinances.

**DANGER** - Improper connection of the equipment-grounding conductor can result in a risk of electric shock. Check with a qualified electrician or serviceman if you are in doubt as to whether the appliance is properly grounded.

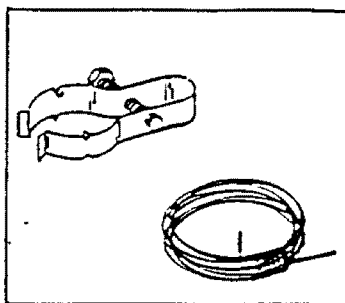
Do not modify the plug provided with the appliance. If it will not fit the outlet, have a proper outlet installed by a qualified electrician

## ADDITIONAL GROUND PROCEDURE - WHERE LOCAL CODE PERMITS.

An external ground wire, clamp and screws are provided for assistance in meeting local codes. Where approved, it is recommended this additional ground be installed. A suitable external ground connection **MUST** be determined prior to wire hookup. Consult local building officials and qualified electrician in the event any questions exist.

**NEVER CONNECT GROUND WIRE TO PLASTIC PLUMBING LINES, GAS OR HOT WATER PIPES.**

**ALL GROUNDING AND WIRING MUST BE DONE IN ACCORDANCE WITH NATIONAL AND LOCAL CODES.**



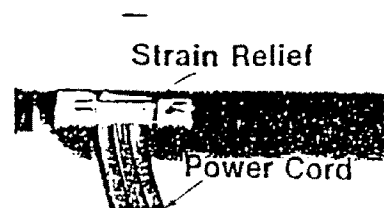
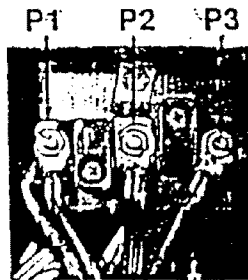
240 Edwards Street, SE  
 Cleveland, Tennessee 37311  
 Tel: 423-472-3333  
 Fax: 423-478-6710

## ELECTRIC DRYER UNITS

### GROUNDING INSTRUCTIONS

This electric dryer must be connected to a ground metal, permanent wiring system; or an equipment grounding conductor must be run with the circuit conductors and connected to the equipment grounding terminal on the back panel.

Electric models are shipped with a ground strap connected from the neutral (P2) terminal block post to the frame of the dryer. The use of this strap is permitted by the national electrical code. The dryer electrical supply may be connected by means of a new U.L. Listed power supply cord kit rated at 240 volts minimum, 30 amperes with three No. 10 copper wire conductors terminated with closed loop terminals, open end spade lugs with turned up ends or with tinned leads.



The power cord must be marked for use with a clothes dryer and be retained with suitable strain relief. If the dryer is to be installed in a mobile home or an area where local codes do not permit grounding through neutral, only a 4 conductor power cord, rated and terminated as above, may be used.

The electrical supply circuit should be fused through a 30 amp fuse or circuit breaker on both sides of the line. The neutral line of the service cord must always be connected to the P2 terminal post. The two hot lines of the service cord go to the P1 and P3 terminal block posts. The neutral should not be fused or broken. Be sure terminal block nuts are tight and replace access cover.

Canadian models are shipped with approved power cord sets attached.

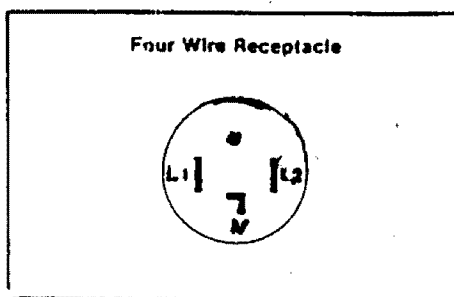
240 Edwards Street, SE  
 Cleveland, Tennessee 37311  
 Tel: 423-472-3333  
 Fax: 423-478-6710

**G.F.I.**

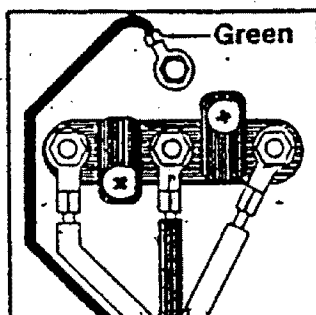
If the electric dryer is protected by a GROUND FAULT INTERRUPTER, follow the procedure for a 4-wire hookup below.

**4-WIRE RECEPTACLE**

The frame of a 120/240 Volt machine must **NOT** be connected to neutral terminals. It **MUST** be connected to the 4th wire (green of the power supply) or to the metallic covering of a three-wire supply.



If a 4-wire receptacle of NEMA type is used, a matching UL Listed power supply cord (pig-tail) must be used. This cord contains four NO. 10 copper conductors with spade or ring terminals on the dryer end. The 4th (grounding) conductor must be identified by a green cover and the neutral conductor by a white cover. The cord should have a suitable strain relief and should be a minimum of 4 feet long. The power supply cord and strain relief are not provided with the dryer.



240 Edwards Street, SE  
Cleveland, Tennessee 37311  
Tel: 423-472-3333  
Fax: 423-478-6710

#### **4-WIRE SYSTEM CONNECTIONS**

1. Remove the terminal block cover.
2. Remove the ground strap from the ground screw and center (silver colored) terminal of the terminal block.
3. Connect the neutral (white) wire of the power supply cord to the center (silver colored) terminal of the terminal block. Connect the grounding (green) wire of the cord to the external ground connector, using the green screw.
4. Connect the other two wires of the cord to the outer terminals of the terminal block.
5. Replace the terminal block cover.

#### **208 VOLT OPERATION**

A 306378 kit is used to convert the electric microprocessor stacked washer/dryer for 208 volt operation. A new heater element label and instructions are included.

The electrical mechanical stacked washer/dryer is not available for 208 volt operation.

240 Edwards Street, SE  
Cleveland, Tennessee 37311  
Tel: 423-472-3333  
Fax: 423-478-6710

## **WATER SUPPLY AND DRAIN**

### **WATER SUPPLY**

The water supply to the washer unit should be capable of providing both adequate water pressure and water temperature. The pressure should fall within the range of 30 pounds per square inch to 120 pounds per square inch when the washer is filling. Note that this is flow pressure and not static pressure. Low water pressure will result in slow fill and could result in a water valve sticking open after a fill.

The temperature of the hot water as delivered to the washer should be 140 degrees F. The temperature of the cold water as delivered to the washer should be 75 degrees F.

Warm water temperature is a result of the mix of the hot and cold water supplies. The final temperature is dependent on both the pressure and the temperatures of the hot and cold supplies. The desired temperature for warm is between 100 degrees F and 105 degrees F.

### **DRAIN FACILITIES**

Because of the desirability of flush to the wall installation of the stacked washer/dryer, a drain directly behind the unit is preferred to a drain located on either side.

The washer unit is equipped with a built-in siphon break which allows for a variance in height of the drain facility. The drain must be capable of accepting a flow rate of approximately 20 gallons per minute. An inside diameter of at least 1" - 1 1/2" is required.

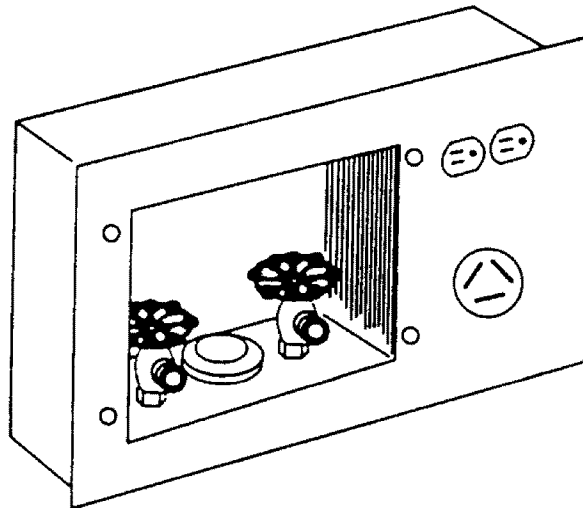
The portion of the drain hose from the siphon break to the drain can be extended to a floor drain. Consult the parts catalog for extra drain hose as needed.

The use of a laundry built-in wall box can greatly simplify installation of the unit.



240 Edwards Street, SE  
Cleveland, Tennessee 37311  
Tel: 423-472-3333  
Fax: 423-478-6710

Models are available that incorporate water supply, water drain, 120 Volt AC and 240 Volt AC connections. An example is shown.



If the faucets and/or drain is located to either side of the stacked washer/dryer, openings are located in the dryer stand uprights to allow hoses and power cords to be passed through. This is to allow installation against the back wall. (This is dependent on venting used.)

240 Edwards Street, SE  
 Cleveland, Tennessee 37311  
 Tel: 423-472-3333  
 Fax: 423-478-6710

## GAS CONNECTION

Gas operated dryers are equipped with a burner orifice for operation on NATURAL gas. If the dryer is to be operated on LP gas, it must be converted correctly for safety and proper performance. Conversion kits from NATURAL to LPG or LPG to NATURAL are available through your local Maytag dealer. If other conversions are required, check with local gas utility for specific information concerning conversion requirements. **NOTE: The conversion should always be performed by a qualified service technician.**

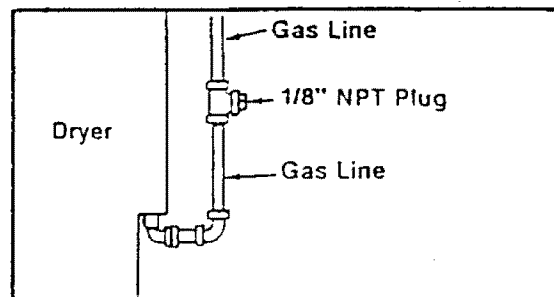
A 1/2" gas supply line is recommended and must be reduced to connect to the 3/8" gas line on the dryer.

**NOTE:** A 3/8" x 2" pipe nipple is included to adapt valve connection from a 3/8" female to a 3/8" male I.P.S. connection.

Additionally, a 1/8" N.P.T. (National Pipe Thread) plugged tapping, accessible for test gauge connection, must be installed immediately upstream of the gas supply connection to the dryer. Refer to your local gas utility or plumbing contractor should you have questions on the installation of the plugged tapping.

The dryer and its individual shut-off valve must be disconnected from the gas supply piping system during any pressure testing of the system at test pressures in excess of 1/2 P.S.I.G.

The dryer must be isolated from the gas supply piping system by closing its individual manual shut-off valve during any pressure testing of the gas supply piping system at test pressures equal to or less than 1/2 P.S.I.G.



The gas supply should be connected to the dryer using pipe joint compound or a Teflon tape on male thread connections. **NOTE:** Any pipe joint compound used must be resistant to the action of any liquefied petroleum gas.

240 Edwards Street, SE  
Cleveland, Tennessee 37311  
Tel: 423-472-3333  
Fax: 423-478-6710

Turn on gas supply and open the shutoff at the gas valve. Check all gas connections for leaks using a soap solution. If bubbles occur, tighten connections and recheck. **DO NOT use an open flame to check for gas leaks.**

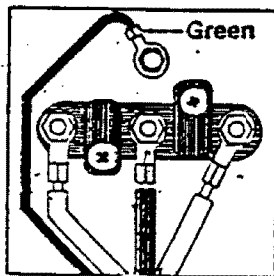
**NOTE:** As a courtesy, many local gas utilities will inspect a gas appliance installation. Check with your utility to see if this service is provided in your area.

**NOTE:** The minimum permissible gas (natural or mixed) supply pressure for purposes in input adjustment is 4.5 inches of water.

## GAS IGNITION

This dryer uses an automatic ignition system to light the main burner when the dryer is turned on.

If a 4-wire receptacle of NEMA type is used, a matching UL Listed power supply cord (pig-tail) must be used. This cord contains four No. 10 copper conductors with spade or ring terminals on the dryer end. The 4th (grounding) conductor must be identified by a green cover and the neutral conductor by a white cover. The cord should have a suitable strain relief, and should be a minimum of 4 feet long. The power supply cord and strain relief are not provided with the dryer.



240 Edwards Street, SE  
Cleveland, Tennessee 37311  
Tel: 423-472-3333  
Fax: 423-478-6710

## ***INSTALLATION***

### **INSTALL DRYER UNIT AND STAND**

The dryer and stand are installed first. With the connections prepared for exhausting, electric power and gas (if gas stacked washer/dryer, see Gas Connection), the dryer and stand are moved to the location.

**NOTE:** When moving the dryer and stand on an appliance hand truck, it is recommended that the dryer and stand be trucked upside down. Protective padding should be used to avoid damage to the cabinet finish.

Install the vinyl feet on the dryer stand legs. Note the rear legs are "washer" legs and use the larger feet.

Install electric power cord (electric stacked washer/dryer). See Electrical Requirements section.

The vent connection is lined up from underneath the dryer as the dryer and stand are moved back into position when a straight-out-the-back vent is used. When venting down, up, or to the side, an elbow or flat duct section is placed on to the dryer exhaust before the dryer is slid into position.

Level the dryer and stand and lock leveling legs using leg lock nuts.

Connect gas line for gas units and check for leaks. Use a liquid soap solution or leak detector. **DO NOT** use a match or open flame !

With dryer and stand in position, exhaust vent connected, unit leveled and gas line connected (if gas unit), power cord set installed (if electric unit), plug power cord into electric outlet.

### **INSTALL WASHER UNIT**

Install washer glide bars on rear of washer cabinet. The glide bars are in the installation package found in the washer tub. Install with rounded edge down. The glide bars will extend beyond the edge of the cabinet on each side when properly installed.

240 Edwards Street, SE  
Cleveland, Tennessee 37311  
Tel: 423-472-3333  
Fax: 423-478-6710

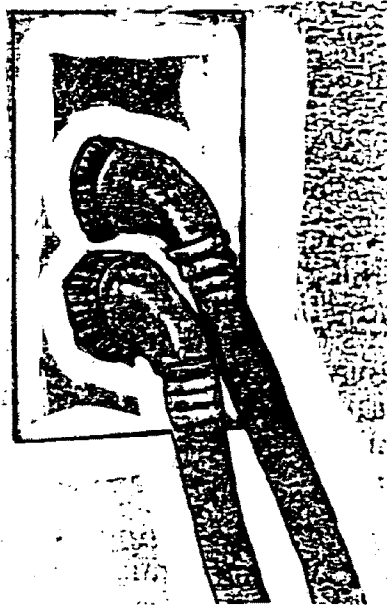
## INSTALL FILL HOSES

Insert plain hose washers in 90 degree end of fill hoses and screen washers in straight end of hoses. The screens should point outward.

The valve inlets are marked "H" and "C" to denote the hot inlet (top) and cold inlet (lower).

Connect 90 degree ends of hoses to the valve. Connect lower hose first. Be sure that hose connectors are not cross threaded on the valve. Tighten securely by hand plus 1/4 turn with pliers. Do not overtighten as this can strip the threads on the valve.

Connect the straight ends of the hose to the corresponding supply faucets (hot and cold).



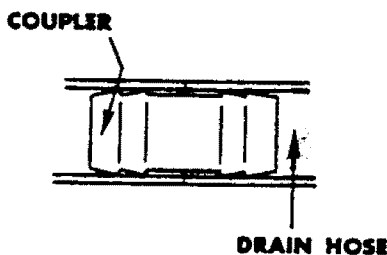
240 Edwards Street, SE  
Cleveland, Tennessee 37311  
Tel: 423-472-3333  
Fax: 423-478-6710

## INSTALL DRAIN HOSE

Secure drain hose to siphon break using the hose clamp provided in the parts package. The siphon break can be turned right or left to meet the end of the drain hose. Place the gooseneck into the standpipe (or position the gooseneck as if it were in the standpipe). Insert the clamp over the hose and direct the straight end of the hose toward the siphon break outlet with a very gradual bend. Push the drain hose over the siphon break outlet and if necessary twist the hose to relieve any stress on the hose between the siphon break outlet and the standpipe after the hose is inserted into the standpipe.

**NOTE:** *It is very important when connecting the drain hose that it is properly installed to minimize the chance of the hose becoming kinked when the washer is moved into position.*

If it is necessary to extend the drain hose, attach one end of the extension hose to the siphon break, and in the other end insert an accessory coupler, similar to the one shown below. Push the drain hose (hose with short gooseneck) over the coupler until the extension hose and drain hose join together in approximately the middle of the coupler. When the coupler is properly used, hose clamps are not required.

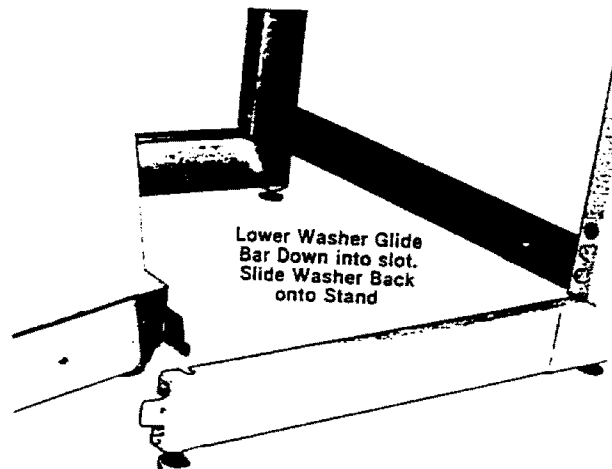


240 Edwards Street, SE  
Cleveland, Tennessee 37311  
Tel: 423-472-3333  
Fax: 423-478-6710

If not previously done, remove shipping pads from washer top.

Move the washer into position in front of the dryer and stand. Use caution to avoid floor damage because of the minimum height of the rear legs.

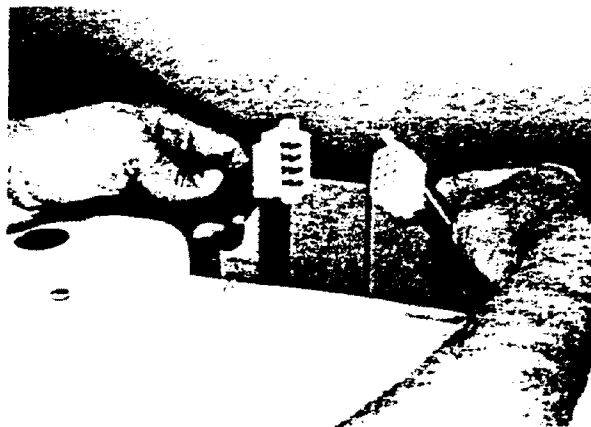
Tip forward enough for glides to clear the legs of the stand, and guide the glides into the slots on the top of the stand legs.



Before sliding washer back into position, connect fill hoses.

Be sure the gooseneck is fully inserted into the drain standpipe to prevent any chance of the hose coming out of the standpipe from the force of the water being discharged.

Connect the two control cables, one from the dryer and one from the washer, as shown.



240 Edwards Street, SE  
Cleveland, Tennessee 37311  
Tel: 423-472-3333  
Fax: 423-478-6710

If the unit is a microprocessor stacked washer/dryer, connect the washer power cord to the 120 volt AC outlet.

Slide washer back into position. A peg on the back right corner of the washer will locate in a socket on the right leg of the dryer stand.

Adjust the washer front legs down against the floor to raise the washer front slightly. The washer should be level side to side and just barely higher in the front than in the back (bubble just touching in the level). Lock leveling leg in position using leg lock nuts.

Remove all instruction packages from washer tub and dryer drum before using units.

**Remove tub block ring from washer tub opening.**

## **ADDITIONAL INFORMATION**

### **ODD CYCLE OPERATION**

This Maytag stacked washer/dryer is manufactured for operation on 60 Hz approved electrical service. It is not designed for use on 50 Hz AC electrical service and conversion of the product from 60 to 50 cycle operation is not recommended. For additional information on 50 cycle products, write, MAYTAG INTERNATIONAL, 8700 Bryn Mawr Ave. Chicago, IL 60631. Or call 312-714-0100 (FAX 312-714-8180).

### **LUBRICATION**

No routine lubrication is required to maintain the stacked washer/dryer. In the event something does need attention, contact an authorized Maytag dealer or servicer.



240 Edwards Street, SE  
Cleveland, Tennessee 37311  
Tel: 423-472-3333  
Fax: 423-478-6710

## **FINISH**

All the cabinet and external finishes are protected against rust to keep product looking well for many years. Cleaning and waxing will provide additional protection to these finishes.

The washer top has a porcelain finish. Since porcelain is "glass" bonded to metal, it is very durable. Avoid damage from sharp blows of objects or tools used around and in the appliance.

Clean the control panel with a soft damp cloth. Avoid abrasive cleaners that would scratch the surface. A coat of household wax will reduce the chance of scratches on the control panel surface.

**Caution:** If "spilled" or used improperly, bleaches and other strong laundering chemicals can permanently spot or stain finishes unless wiped up immediately. Aerosol pretreat products can also damage finish on control panel. When using these products on garments placed in the stacked washer/dryer, it is advisable to avoid control panel area with the overspray.

## **WATER DAMAGE FROM FLOODING**

In the event the stacked washer/dryer is exposed to water from flooding, call your local Maytag dealer before using. Always unplug the appliance and have a qualified technician inspect the appliance before any attempt is made to operate the unit. Never wash product inside and out with a garden hose or pressure cleaning equipment.

## **REPLACEMENT PARTS**

If your unit requires replacement parts, contact the dealer from who you purchased your appliance, or Maytag Customer Service, 240 Edwards St. SE, Cleveland, TN 37311 for information on the nearest Maytag parts distributor.

Service manuals are available through your dealer or nearest parts distributor.

240 Edwards Street, SE  
Cleveland, Tennessee 37311  
Tel: 423-472-3333  
Fax: 423-478-6710

## INSTALLATION ACCESSORIES

- 059129 Vent hood - 4" (10.16 cm) opening
- 059130 Aluminum pipe - 4" x 24: (10.16 cm x 60.96 cm)
- 059131 Aluminum elbow - 4" (10.16 cm)
- 059134 Aluminum window plate - 15" x 20" (38.10 cm x 50.80 cm) - 4" (10.16 cm) hole
- 059143 Flexible vent kit - contains wide opening vent hood, wall plate, two clamps and flexible aluminum vent duct
- 304353 Flexible aluminum vent duct - 4" (10.16 cm) diameter 38" (81.28 cm) length stretches to 8' (2.44 m)
- 304630 Clamp for flexible aluminum duct.
- 306642 Exhaust deflector kit - inside exhaust kit
- 306205 Natural to LPG conversion it for gas valve
- 311353 Dacron lint bag