



**INSTALLATION INSTRUCTIONS
(ORIGINAL INSTRUCTIONS)**

COMMERCIAL WASHER

Models MAT20CSAGW, MAT20MNAGW, MAT20PDAGW, and MAT20PNAGW

**INSTRUCTIONS D'INSTALLATION
(INSTRUCTIONS D'ORIGINE)**

LAVE-LINGE COMMERCIAL

Modèles MAT20CSAGW, MAT20MNAGW, MAT20PDAGW et MAT20PNAGW

**INSTRUCCIONES DE INSTALACIÓN
(INSTRUCCIONES ORIGINALES)**

LAVADORA COMERCIAL

Modelos MAT20CSAGW, MAT20MNAGW, MAT20PDAGW y MAT20PNAGW

**ISTRUZIONI D'INSTALLAZIONE
(ISTRUZIONI ORIGINALI)**

LAVATRICE COMMERCIALE

Modellos MAT20CSAGW, MAT20MNAGW, MAT20PDAGW e MAT20PNAGW



TABLE OF CONTENTS

Washer Safety	Page 3
FOR OWNER	
General Use Instructions	4
Typical Full Load Sizes	4
Transporting Your Washer	5
If You Need Assistance or Service	5
FOR MAYTAG AUTHORIZED SERVICE PERSON	
Tools & Parts	6
Alternate Parts & Accessories	6
Dimensions	7
Location Requirements	8
Installation Instructions	9
Level Washer	10
Connect Drain Hose	11
Drain System	12
Connect Inlet Hoses	13
Electrical Requirements	14
Complete Installation	15
Installing Coin Slide and Coin Box	15
Electronic Controls Set-Up Instructions (PD & PN Models)	16
Washer Disposal	20
Warranty	21

MODEL NOMENCLATURE:

MAT – Maytag 20 – Model Type Number CS – Coin Slide	MN – Timer Non-Pay PD – Coin Drop PN – Electronic Non-Pay
---	---

ÍNDICE

Seguridad de la lavadora	Página 42
PARA EL PROPIETARIO	
Instrucciones del uso general	43
Tamaños de cargas típicas de volumen completo	43
Transporte de la lavadora	44
Si necesita asistencia o servicio	44
PARA EL PERSONAL DE SERVICIO AUTORIZADO DE MAYTAG	
Herramientas y piezas	45
Piezas y accesorios alternativos	45
Dimensiones	46
Requisitos de ubicación	47
Instrucciones de instalación	48
Nivelación de la lavadora	49
Conexión de la manguera de desagüe	50
Sistema de desagüe	51
Conexión de las mangueras de entrada	52
Requisitos eléctricos	53
Complete la instalación	54
Instalación del tragamonedas y la caja de monedas	54
Instrucciones para programar los controles electrónicos (Modelos PD y PN)	55
Eliminación de la lavadora	60
Garantía	61

NOMENCLATURA DEL MODELO:

MAT – Maytag 20 – Número de tipo de modelo CS – Tragamonedas	MN – Temporizador operado sin monedas PD – Depósito de monedas PN – Operado sin monedas electrónico
---	---

TABLE DES MATIÈRES

Sécurité du lave-linge	Page 22
POUR LE PROPRIÉTAIRE	
Instructions de l'utilisation général	23
Taille typique des charges complètes	23
Transport du lave-linge	24
Si vous avez besoin d'assistance ou service	24
POUR LE PERSONNEL D'ENTRETIEN AUTORISÉ PAR MAYTAG	
Outillage et pièces	25
Pièces supplémentaires et accessoires	25
Dimensions	26
Exigences d'emplacement	27
Instructions d'installation	28
Établissement de l'aplomb du lave-linge	29
Raccordement du tuyau de vidange	30
Système de vidange	31
Raccordement des tuyaux d'arrivée d'eau	32
Spécifications électriques	33
Achever l'installation	34
Installation de la glissière et de la boîte à monnaie	34
Instructions de paramétrage des commandes électroniques (Modèles PD et PN)	35
Élimination du lave-linge	40
Garantie	41

NOMENCLATURE DES MODÈLES :

MAT – Maytag 20 – ## (p. ex. 25) Numéro de type du modèle CS – Glissière à pièces	MN – Minuterie non payant PD – Chute de pièce PN – Non payant électronique
--	--

SOMMARIO

Sicurezza della lavatrice	Pagina 62
PER IL PROPRIETARIO	
Istruzioni del uso generale	63
Dimensioni tipiche a carico completo	63
Transporto della lavatrice	64
Se avete bisogno dell'assistenza o servizio	64
PER IL PERSONALE DI ASSISTENZA AUTORIZZATO MAYTAG	
Attrezzi e componenti	65
Parti e accessori alternativi	65
Dimensioni	66
Requisiti di posizionamento	67
Istruzioni d'installazione	68
Livellamento della lavatrice	69
Connessione del tubo di scarico	70
Sistema di scarico	71
Collegare i tubi d'ingresso	72
Requisiti elettrici	73
Completamento dell'installazione	74
Installazione dello scivolo monete e della gettoniera	74
Istruzioni di configurazione dei comandi elettronici (Modelli PD e PN)	75
L'eliminazione della lavatrice	79
Garanzia	80

NOMENCLATURA DI MODELLO:

MAT – Maytag 20 – Numero di Tipo di modello CS – Scivolo gettoni	MN – Temporizzatore non a gettoni PD – Imbuto monete PN – Non a gettoni elettroniche
---	--

WASHER SAFETY

Your safety and the safety of others are very important.

We have provided many important safety messages in this manual and on your appliance. Always read and obey all safety messages.



This is the safety alert symbol.

This symbol alerts you to potential hazards that can kill or hurt you and others.

All safety messages will follow the safety alert symbol and either the word "DANGER" or "WARNING."

These words mean:

⚠ DANGER

You can be killed or seriously injured if you don't immediately follow instructions.

⚠ WARNING


You can be killed or seriously injured if you don't follow instructions.

All safety messages will tell you what the potential hazard is, tell you how to reduce the chance of injury, and tell you what can happen if the instructions are not followed.

NOTE: Washer installation and service must be performed by a Whirlpool authorized service person.

IMPORTANT SAFETY INSTRUCTIONS

WARNING: To reduce the risk of fire, electric shock, or injury to persons when using the washer, follow basic precautions, including the following:

- Read all instructions before using the washer. 
- Do not wash articles that have been previously cleaned in, washed in, soaked in, or spotted with petrol, dry-cleaning solvents, or other flammable or explosive substances as they give off vapours that could ignite or explode.
- Do not add petrol, dry-cleaning solvents, or other flammable or explosive substances to the wash water. These substances give off vapours that could ignite or explode.
- Under certain conditions, hydrogen gas may be produced in a hot water system that has not been used for 2 weeks or more. **HYDROGEN GAS IS EXPLOSIVE.** If the hot water system has not been used for such a period, before using the washer, turn on all hot water taps and let the water flow from each for several minutes. This will release any accumulated hydrogen gas. As the gas is flammable, do not smoke or use an open flame during this time.
- The appliance must be disconnected from its power source during service and when replacing parts. The power cord plug should be visible at all times once disconnected to verify that power remains removed.
- This appliance is not intended for use by children or by persons with reduced physical, sensory, or mental capabilities, or lack of experience and knowledge, unless they have been given supervision or instructions concerning safe use of the appliance by persons responsible for their safety. Such persons must also understand the possible hazards involved during use.
- The appliance can be used by children age 8 years and above and persons with reduced physical, sensory, or mental capabilities, or lack of experience and knowledge if they have been given supervision or instructions concerning safe use of the washer, and if they understand the hazards involved.
- Children of less than 3 years should be kept away unless continuously supervised.
- This appliance is intended to be used in household and similar applications such as staff kitchen areas, shops, offices, other working environments, farm houses. It can also be used by clients in hotels, motels, other residential type environments, bed and breakfast type environments, areas for communal use in blocks of flats, or in laundrettes.

SAVE THESE INSTRUCTIONS

- No washer can completely remove oil. Do not dry anything that has ever had any type of oil on it (including cooking oils). Doing so can result in death, explosion, or fire.
- It is recommended that fiberglass items not be washed in coin-operated washers. If these items are washed in the washer, run the washer through a complete cycle to rinse away any residue that might be left in the washer.
- Cleaning and user maintenance by children must be supervised.
- Do not allow children to play on, in, or with the washer. Close supervision of children is necessary when the washer is used near children.
- Before the washer is removed from service or discarded, remove the door or lid.
- Do not reach into the washer if the basket, tub, or agitator is moving.
- Do not install or store the washer where it will be exposed to the weather.
- Do not tamper with controls.
- After installation, access to mains plug or mains supply via a double-pole switch must be maintained at all times in order to ensure immediate deactivation of the washer in case of emergency.
- Do not repair or replace any part of the washer or attempt any servicing unless specifically recommended in this manual. You must also understand these instructions and have the skills to carry them out.
- See “Electrical Requirements” for grounding instructions.

SAVE THESE INSTRUCTIONS

GENERAL USE INSTRUCTIONS

- Water pressure of 138–690 kPa (20–100 psi) is needed for operation of the washer.
- Use new hoses supplied with the washer. Do not reuse old hoses.
- If the supply cord is damaged, it must be replaced by the manufacturer, its service agent, or similarly qualified persons in order to avoid a hazard.

TYPICAL FULL LOAD SIZES

Load Type	Loading Suggestion	Load Type	Loading Suggestion
Mixed Load	3 double sheets 4 pillowcases 6 pair shorts 8 T-shirts 2 shirts 2 blouses 8 handkerchiefs	Heavy Work Clothes	3 pair pants 3 shirts 1 coverall 4 pair jeans 1 overall
Permanent Press	2 double or 1 king size sheet 1 tablecloth 1 dress 1 blouse 2 slacks 3 shirts 2 pillowcases	Knits	3 blouses 4 slacks 6 shirts 4 tops 4 dresses

TRANSPORTING YOUR WASHER

- Shut off both water faucets. Disconnect and drain water inlet hoses.
- Disconnect drain from drain system and drain any remaining water into a pan or bucket. Disconnect drain hose from back of washer.
- Unplug power cord.
- Place inlet hoses and drain hose inside washer basket.
- Drape power cord over edge and into washer basket.
- Place packing tray from original shipping materials back inside washer and reuse shipping base to support the motor and tub. If you do not have original packaging, place heavy blankets or towels above basket, between the washer top and the tub ring. Close lid and place tape over lip and down the front of the washer. Keep lid taped until washer is moved to new location.

IF YOU NEED ASSISTANCE OR SERVICE

Your installation may require additional parts. To order, please contact your authorised commercial laundry distributor from whom you purchased your washer or an authorised service company.

You will need the washer model number and serial number. Both numbers can be found on the serial-rating plate located on the washer.

IF YOU NEED SERVICE:

Contact your authorized Maytag® Commercial Laundry distributor. To locate your authorized Maytag® Commercial Laundry distributor, visit www.MaytagCommercialLaundry.com.

For written correspondence:

Maytag® Commercial Laundry Service Department
2000 N M 63
Benton Harbor, Michigan 49022-2632 USA

TOOLS & PARTS

Tools Needed:



Level



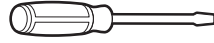
Pliers



Utility Knife

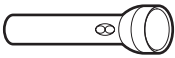


14 mm (9/16")
Open-End Wrench
or Adjustable Wrench



Flat-Blade Screwdriver

Optional tools:

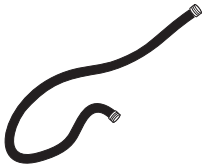


Flashlight



Bucket

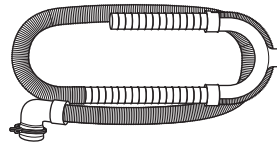
Parts Supplied:



Water Inlet Hoses (2)



Inlet Hose Washers (4)



Drain Hose with Clamp,
U-Form, and Cable Tie

ALTERNATE PARTS & ACCESSORIES

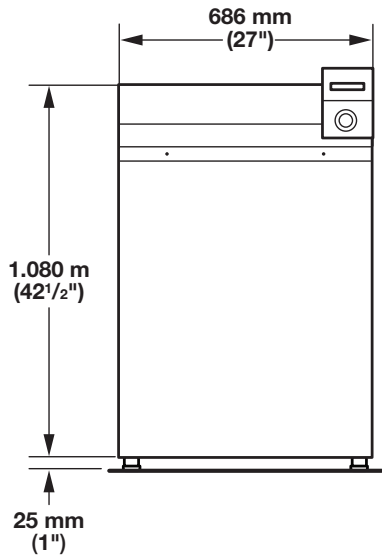
Your installation may require additional parts. To order, please contact the dealer from whom you purchased your washer or an authorised service company.

If You Have:	You Will Need:
Overhead sewer	Standard 76 L (20 gal.) 990 mm (39") tall drain tub or utility sink, sump pump, and connectors (available from local plumbing suppliers)
25 mm (1") standpipe	51 mm (2") diameter to 25 mm (1") diameter Standpipe Adapter Part Number 3363920, Connector Kit Part Number 285835
Lint clogged drain	Drain Protector Part Number 367031, Connector Kit Part Number 285835
Floor drain system	Siphon Break Part Number 285320, Connector Kit (x2) Part Number 285835, Extension Drain Hose Part Number 285863

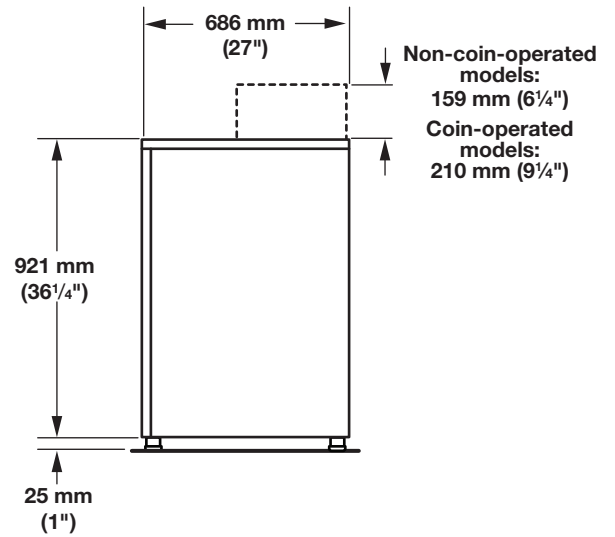
If You Have:	You Will Need:
Water faucets beyond reach of fill hoses	2 longer water fill hoses: 1.8 m (6 ft.) 90° bend hose Part Number 76314, 3.0 m (10 ft.) Part Number 350008
	Inlet hoses are sold as a pair in kit W10575888
Accessories	
If You Have:	You Will Need:
	Washer Drip Trays Part Number 8212526
	Fabric Softener Dispenser Kit Part Number 63594
Drain beyond the reach of drain hose	1.2 m (4 ft.) Drain Hose Extension Part Number DRNEXT4

DIMENSIONS

Front View

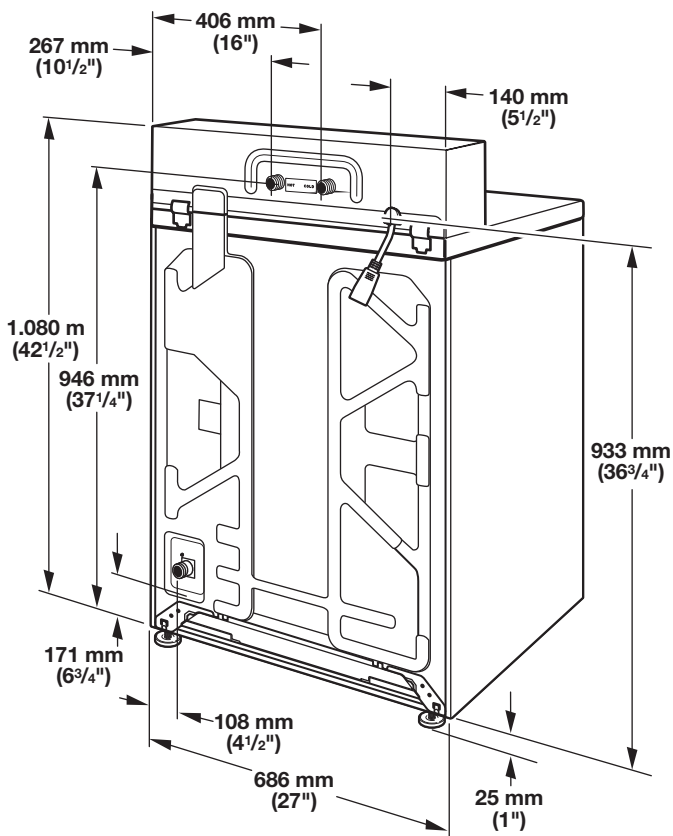


Side View

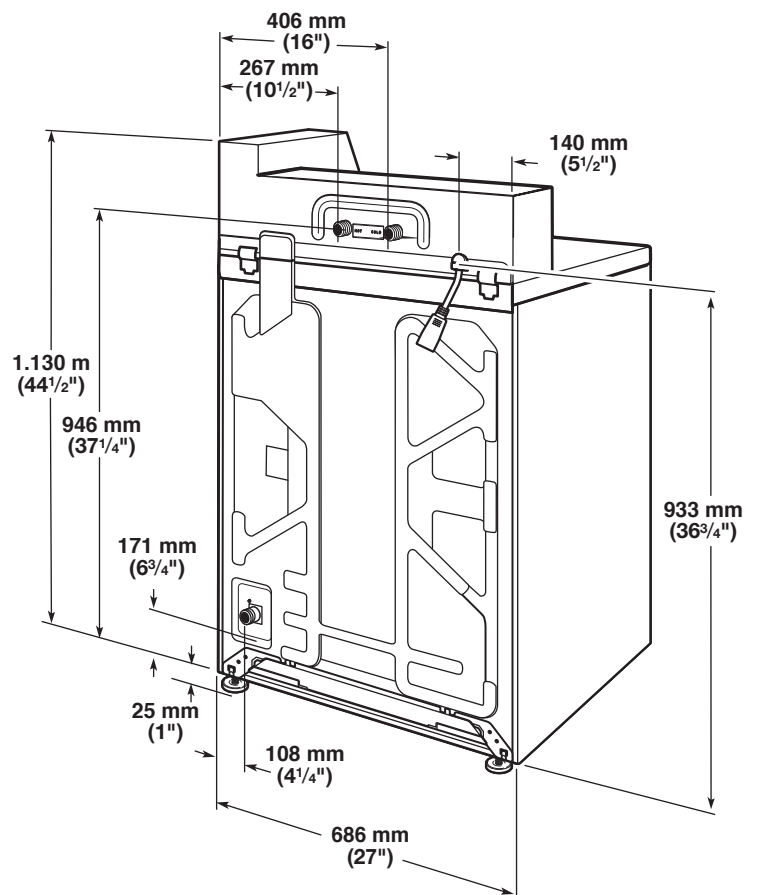


Back View

Non-coin-operated models



Coin-operated models



LOCATION REQUIREMENTS

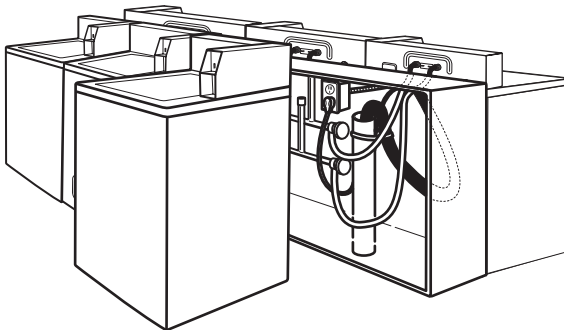
Selecting the proper location for your washer improves performance and minimizes noise and possible washer “walk.” Your washer can be installed in a basement, laundry room, or recessed area. See “Drain System.”

Companion appliance location requirements should also be considered.

IMPORTANT: Do not install or store the washer where it will be exposed to the weather. Do not store or operate the washer in temperatures at or below 0°C (32°F). Some water can remain in the washer and can cause damage in low temperatures. Proper installation is your responsibility.

You will need:

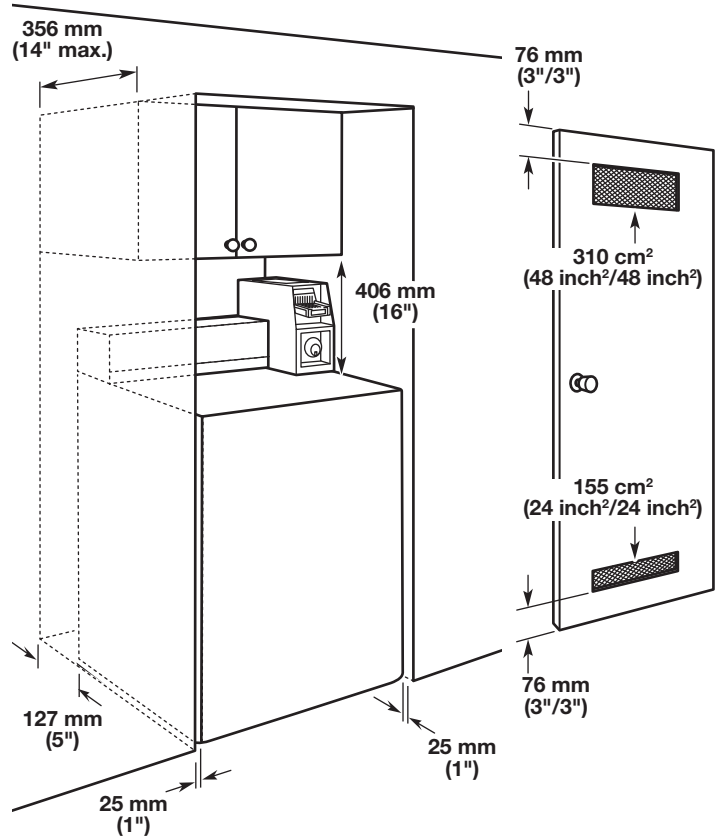
- A water heater set to 49°C (120°F).
- An earthed electrical outlet located within 1.2 m (4 ft.) of power cord on back of washer. See “Electrical Requirements.”
- Hot and cold water faucets located within 1.2 m (4 ft.) of hot and cold water fill valves on washer, and water pressure of 138–690 kPa (20–100 psi). A pressure reduction valve should be used in the supply line where inlet pressure entering the building exceeds 690 kPa (100 psi) to avoid damage to the washer mixing valve.
- Single washer installations require 300 mm (12") minimum risers to provide an air cushion and avoid noise and damage to valves.
- A level floor with maximum slope of 25 mm (1") under entire washer. Installing on carpet is not recommended.
- Floor must support washer’s total weight (with water and load) of 143 kgs (315 lbs).
- A floor drain under the bulkhead. Prefabricated bulkheads with electrical outlets, water inlet lines, and drain facilities should be used only where local codes permit.



Recessed Area or Closet Installation

This washer may be installed in a recessed area or closet. The installation dimensions shown are the minimum spaces allowable. Additional spacing should be considered for ease of installation and servicing. Companion appliance spacing should be considered.

Minimum installation spacing



INSTALLATION INSTRUCTIONS

⚠ WARNING

Excessive Weight Hazard

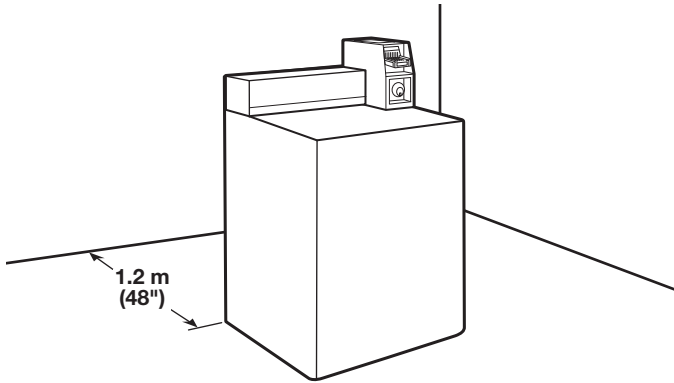
Use two or more people to move and install washer.

Failure to do so can result in back or other injury.

It is necessary to remove all shipping materials for proper operation and to avoid excessive noise from washer.

1. Move washer to within 1.2 m (4 ft.) of its final location; it must be in a fully upright position.

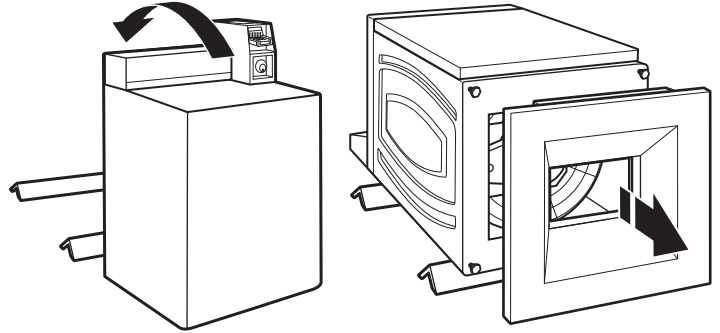
NOTE: To avoid floor damage, set washer onto cardboard before moving it and make sure lid is taped shut.



2. To avoid damaging floor, place cardboard supports from shipping carton on floor behind washer. Tip washer back and place on cardboard supports. Remove shipping base. Set washer upright.

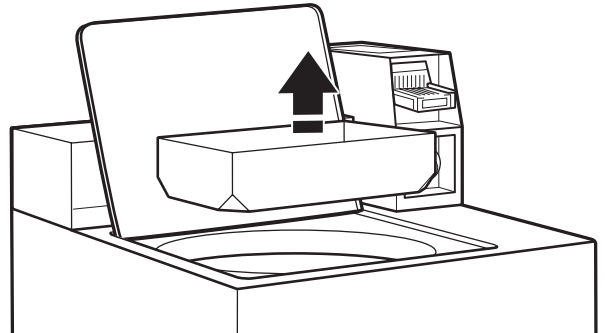
IMPORTANT: Removing shipping base is necessary for proper operation. If your washer includes a sound shield, please refer to the instructions included with the sound shield to install it at this time.

NOTE: Keep shipping base in case you need to move washer later.



3. Remove tape from washer lid, open lid, and remove cardboard packing tray from tub. Be sure to remove all parts from tray.

NOTE: Tray must be removed prior to plugging the washer into an outlet. Keep tray in case you need to move washer later.



LEVEL WASHER

IMPORTANT: Level washer properly to reduce excess noise and vibration.

WARNING

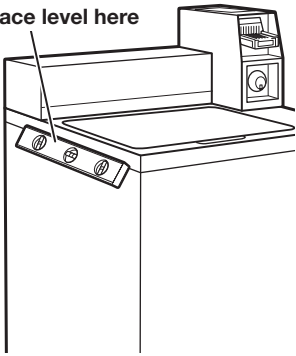
Excessive Weight Hazard

Use two or more people to move and install washer.

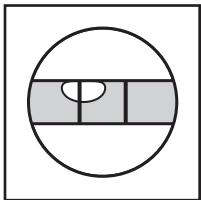
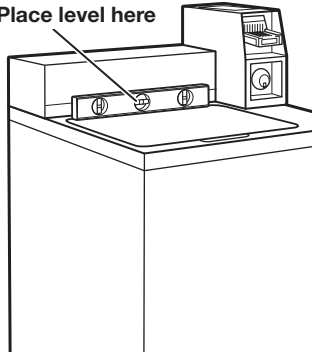
Failure to do so can result in back or other injury.

1. Move the washer to its final location. Place a level on top edges of washer. Use side seam as a guide to check levelness of sides. Check levelness of front using lid, as shown. Rock washer back and forth to make sure all 4 feet make solid contact with floor.

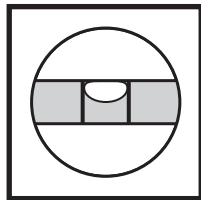
Place level here



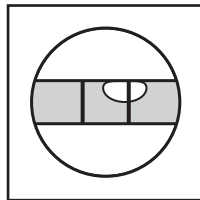
Place level here



Not Level



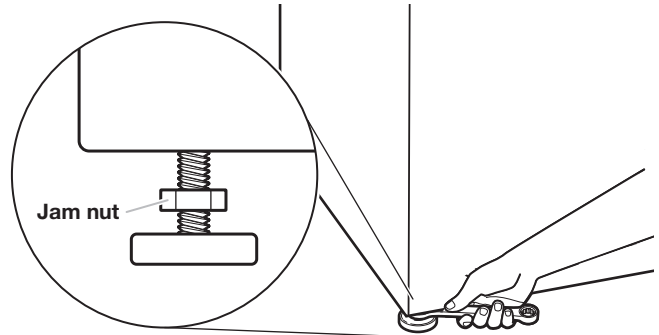
LEVEL



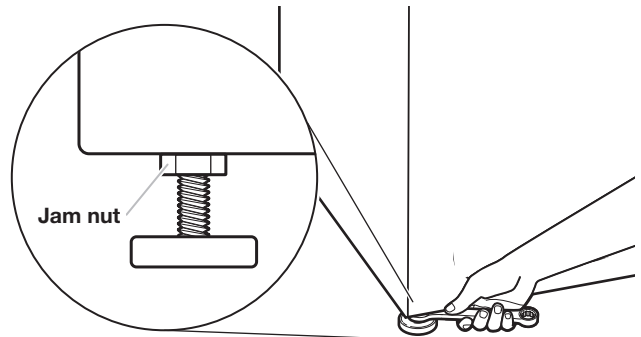
Not Level

2. Use a 14 mm or 9/16" open-end or adjustable wrench to turn jam nuts clockwise on feet until they are about 13 mm (1/2") from the washer cabinet. Then turn the leveling foot clockwise to lower the washer or counterclockwise to raise the washer. Recheck levelness of washer and repeat as needed.

HELPFUL TIP: You may want to prop up front of washer about 102 mm (4") with a wood block or similar object that will support weight of washer.



3. When washer is level, use a 14 mm or 9/16" open-end or adjustable wrench to turn jam nuts counterclockwise on leveling feet tightly against washer cabinet.

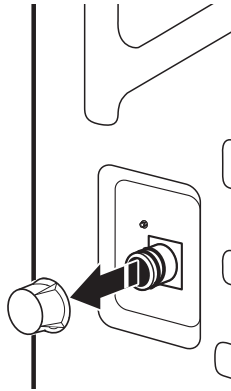


CONNECT DRAIN HOSE

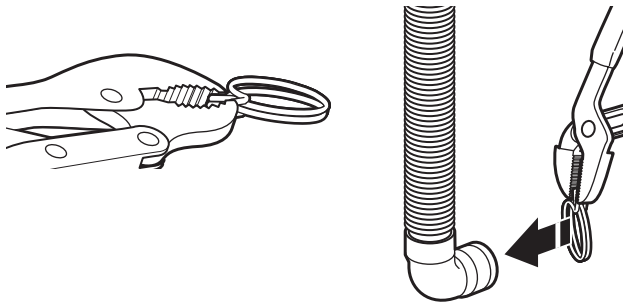
Proper routing of the drain hose avoids damage to your floor due to water leakage.

Remove drain hose from the washer basket

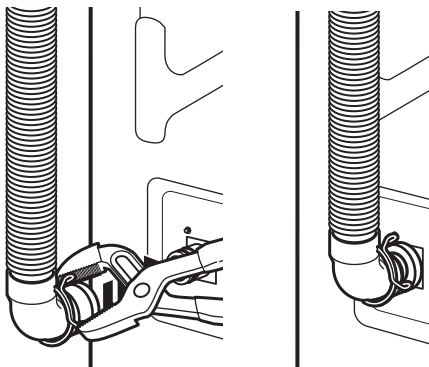
1. Remove cap from the washer drain port on the back of the washer.



2. If clamp is not already in place on elbow end of drain hose, slide it over end as shown.



3. Squeeze clamp with pliers and slide elbow end of drain hose onto washer drain port and secure with clamp.

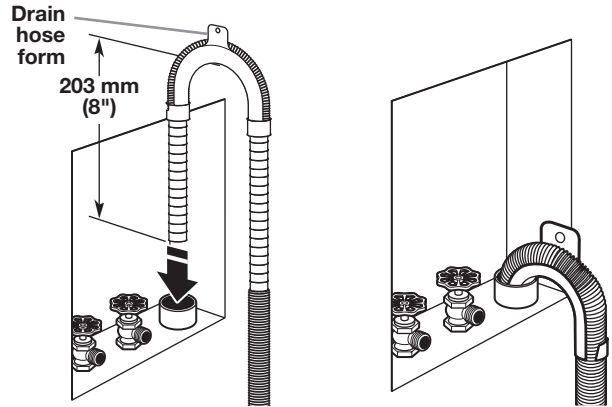


4. The washer drain system can be installed using a floor drain, wall standpipe, floor standpipe, or laundry tub.

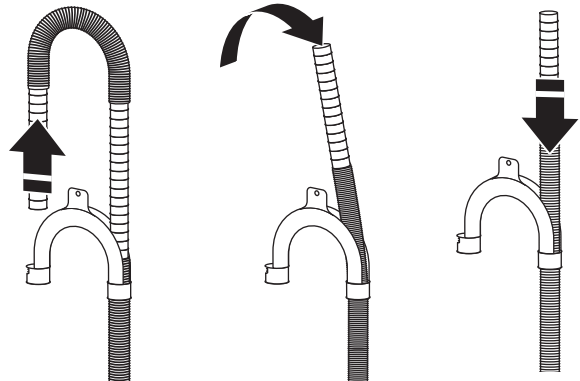
5. Place hose into standpipe (shown in picture) or over side of laundry tub.

IMPORTANT:

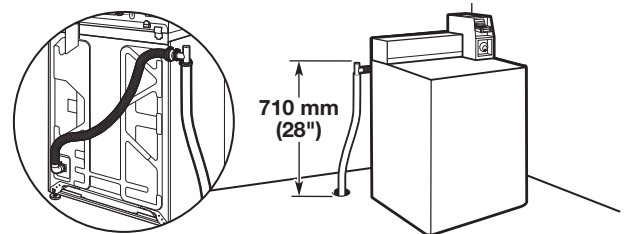
- Drain hose is not to exceed 203 mm (8") into drain pipe; do not force excess hose into standpipe or lay on bottom of laundry tub. Drain hose form must be used.
- It is the responsibility of the installer to install and secure the drain hose into the provided plumbing/drain in a manner that will avoid the drain hose coming out of, or leaking from, the plumbing/drain.



6. For floor drain installations, you will need to remove the drain hose form from the end of the drain hose. You may need additional parts with separate directions. See "Tools and Parts."



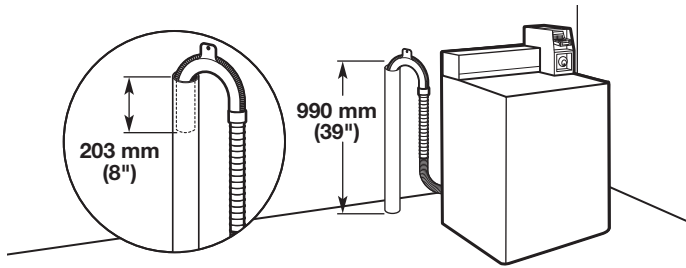
7. The floor drain system requires a siphon break that may be purchased separately. The siphon break (Part Number 285320) must be a minimum of 710 mm (28") from the bottom of the washer. Additional hoses might be needed.



DRAIN SYSTEM

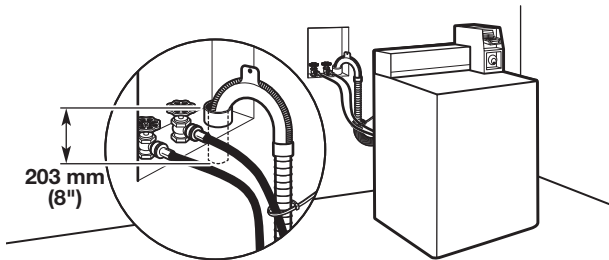
Drain system can be installed using a floor drain, wall standpipe, or laundry tub. Select method you need.

Floor standpipe drain system



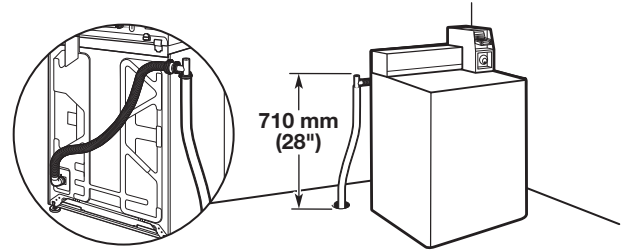
Minimum diameter for a standpipe drain: 51 mm (2"). Minimum carry-away capacity: 38 L (10 gal.) per minute. Top of standpipe must be at least 990 mm (39") high; install no higher than 2.44 m (96") from bottom of washer.

Wall standpipe drain system



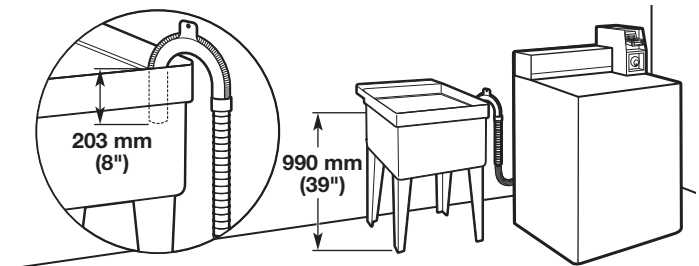
See requirements for floor standpipe drain system.

Floor drain system



Floor drain system requires a Siphon Break Kit (Part Number 285320). Minimum siphon break: 710 mm (28") from bottom of washer. Additional hoses may be needed.

Laundry tub drain system

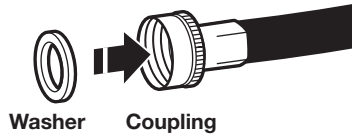


Minimum capacity: 76 L (20 gal.). The top of the laundry tub must be at least 990 mm (39") above floor.

CONNECT INLET HOSES

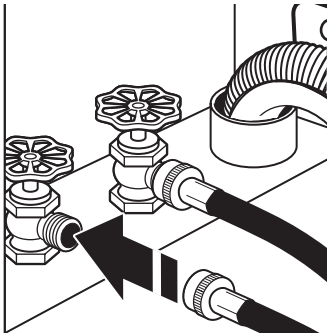
Insert new hose washers (supplied) into each end of the inlet hoses. Firmly seat the washers in the couplings.

NOTE: Use new hoses supplied with the washer. Do not reuse old hoses.

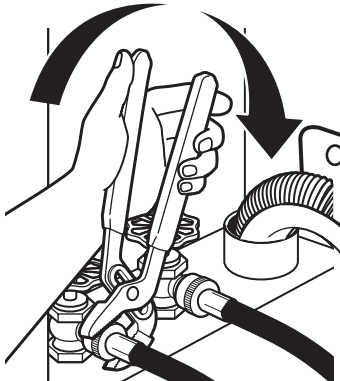


Connect Inlet Hoses to Water Faucets

1. Attach hose to hot water faucet. Screw on coupling until it is seated on washer. Repeat process for cold water.

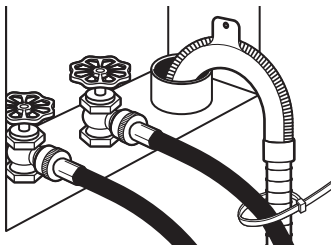


2. Use pliers to tighten the couplings an additional two-thirds turn.



IMPORTANT: Do not overtighten or use tape or sealants on valve when attaching to faucets or washer. Damage can result.

3. Secure drain hose to inlet hose with zip strap.



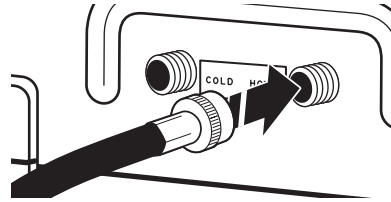
Clear Water Lines

- Run water through both faucets and inlet hoses, into a laundry tub, drainpipe, or bucket to get rid of particles in the water lines that might clog the inlet valve screens.
- Check the temperature of the water to make sure that the hot water hose is connected to the hot water faucet and that the cold water hose is connected to the cold water faucet.

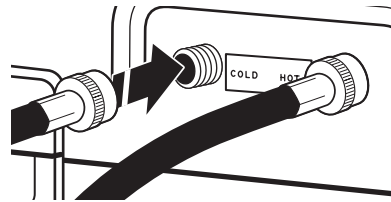


Connect Inlet Hoses to Washer

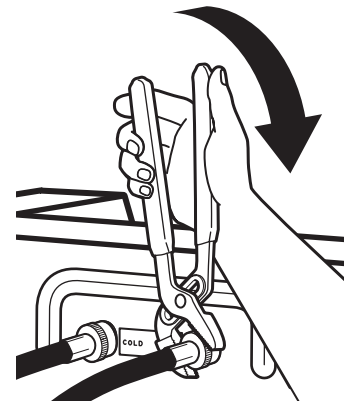
1. Attach cold water hose to cold water inlet valve marked with a blue ring. Screw coupling by hand until it is snug.



2. Attach hot water hose to hot water inlet valve marked with a red ring. Screw coupling by hand until it is snug.

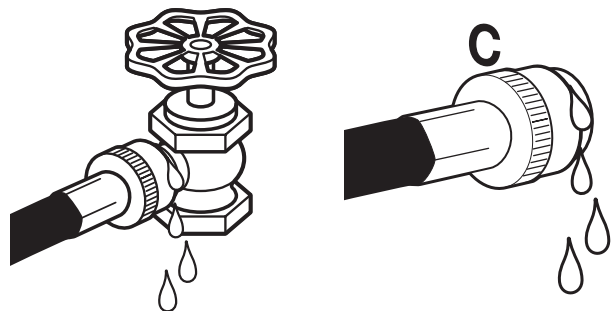


3. Use pliers to tighten couplings an additional two-thirds turn.



NOTE: Do not overtighten. Damage to the valve can result.

4. Turn on water faucets to check for leaks. A small amount of water may enter washer. It will drain later.



NOTE: Replace inlet hoses after 5 years of use to reduce the risk of hose failure. Record hose installation or replacement dates on the hoses for future reference.

Periodically inspect and replace hoses if bulges, kinks, cuts, wear, or leaks are found.

ELECTRICAL REQUIREMENTS

⚠ WARNING



Electric Shock Hazard

Electrically earth this appliance.

Do not use an extension cord or an electrical portable outlet device.

Failure to follow these instructions can result in death, fire, or electric shock.

- A 220–240 volt, 50 Hz., AC-only, 10-amp, fused electric supply is required. A time-delay fuse or circuit breaker is recommended. It is recommended that a separate circuit serving only this appliance be provided.
- After installation, access to mains plug or disconnection from mains supply via a double-pole switch must be ensured at all times in order to ensure immediate deactivation of the washer in case of emergency.
- This washer is equipped with a power supply cord having an earthing plug. The plug should be accessible for disconnection from the supply.
- If the supply cord is damaged, it must be replaced by the manufacturer, its service agent, or similarly qualified persons in order to avoid a hazard.

EARTHING INSTRUCTIONS

This washer must be earthed. In the event of a malfunction or breakdown, earthing will reduce the risk of electric shock by providing a path of least resistance for electric current. This washer is equipped with a cord having an equipment-earthing conductor and an earthing plug. The plug must be plugged into an appropriate outlet that is properly installed and earthed in accordance with all local codes and ordinances.

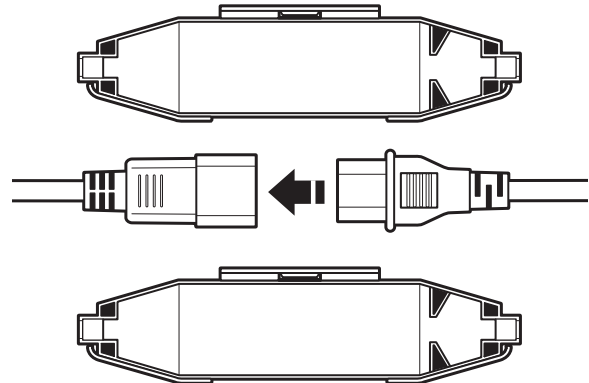
WARNING: Improper connection of the equipment-earthing conductor can result in a risk of electric shock. Check with a qualified electrician or serviceman if you are in doubt as to whether the appliance is properly earthed.

Do not modify the plug provided with the appliance – if it will not fit the outlet, have a proper outlet installed by a qualified electrician.

Using the universal cord included with this washer:

This washer is equipped with a universal cord with interchangeable plugs.

1. To use the universal cord, select the plug end that fits your electrical outlet, and plug it into the adapter on the supply cord.
2. Secure the plug end in place on the cord by aligning the 2 cover halves over the cord adapter and clipping them together.



COMPLETE INSTALLATION

⚠ WARNING



Electric Shock Hazard

Electrically earth this appliance.

Do not use an extension cord or an electrical portable outlet device.

Failure to follow these instructions can result in death, fire, or electric shock.

- Check electrical requirements. Be sure that you have the correct electrical supply and the recommended earthing method.

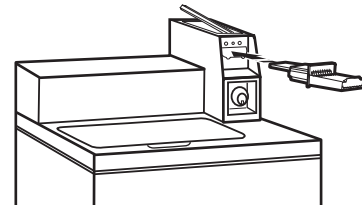
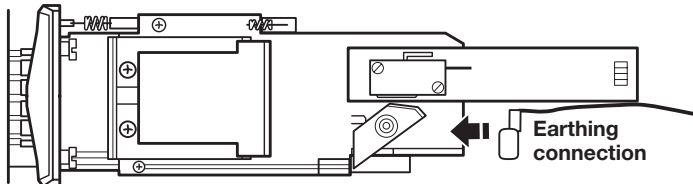
- Check that all parts are now installed. If there is an extra part, go back through steps to see what was skipped.
- Check that you have all of your tools.
- Check that shipping materials were completely removed from washer.
- Dispose of/recycle all packaging materials.
- Check that the water faucets are on.
- Check for leaks around faucets and inlet hoses.
- Remove film from console and any tape remaining on washer.
- Plug into an earthed outlet or connect power.
- Check that circuit breaker is not tripped or fuse is not blown.
- Start washer using the payment system (if available) to check that the wash cycle completes without an error code or water leak.

INSTALLING COIN SLIDE AND COIN BOX

The coin slide mechanism, service door lock and key, and coin box lock and key are not included with some models but can be obtained from the usual industry sources.

Remove the service door of the meter case by lifting it up at the back. Install the money-accepting device. (Refer to manufacturer's instructions for proper installation.)

An earthing connection is needed for the coin slide, which can be made by connecting the available harness (W10846503) to the coin slide.




Install a lock and cam on the meter case service door. Install the coin vault with lock and key in the meter case opening. For Free Vend, an OPL kit can be purchased from Whirlpool. Whirlpool part number W10222023.

ELECTRONIC CONTROLS SET-UP INSTRUCTIONS (PD & PN MODELS)

Basic Operation of Commercial Washer

- For additional information, see www.MaytagCommercialLaundry.com.

⚠ WARNING



Electric Shock Hazard

Disconnect power before servicing.

Replace all parts and panels before operating.

Failure to do so can result in death or electric shock.

IMPORTANT

**Electrostatic Discharge (ESD)
Sensitive Electronics**

ESD problems are present everywhere. ESD may damage or weaken the electronic control assembly. The new control assembly may appear to work well after repair is finished, but failure may occur at a later date due to ESD stress.

- Use an anti-static wrist strap. Connect wrist strap to green ground connection point or unpainted metal in the washer.

-OR-

Touch your finger repeatedly to a green earth connection point or unpainted metal in the washer.

- Before removing the part from its package, touch the anti-static bag to a green earth connection point or unpainted metal in the washer.
- Avoid touching electronic parts or terminal contacts; handle electronic control assembly by edges only.
- When repackaging failed electronic control assembly in anti-static bag, observe above instructions.

GENERAL INFORMATION

Blank Display

This condition indicates the washer is inoperative.

'0 Minutes' showing in display

This condition indicates the washer cannot be operated. Coins dropped or debit inputs during this condition will be stored in escrow but cannot be used until normal operation is restored by opening and closing the door. If a door switch fails, it must be replaced before normal operation can be restored.

Cold Start (initial use)

Washer is programmed at the factory as follows:

- POWERWASH = 12 min agitation
NORMAL = 9 min agitation
DELICATES = 6 min agitation
NORMAL ECO = 8 min agitation
- NORMAL = 1 rinse and 2 minutes of rinse agitation
POWERWASH = 1 deep rinse with spin-out
DELICATES = 1 deep rinse with spin-out
NORMAL ECO = 1 spray rinse
- NORMAL = \$2.00
DELICATES = \$1.75
POWERWASH = \$2.50
NORMAL ECO = \$1.75

Warm Start (after power failure)

After a delay of up to 8 seconds, the washer is restored to the portion of the cycle that existed at time of the power failure. To continue the cycle, press START/PAUSE.

Free Cycles

This is established by setting the cycle price to zero. When this happens, 'SELECT CYCLE' will appear and cycle price will show 0.00.

Display

After the washer has been installed and plugged in, the display will show 'SYnC' for a few seconds, then '0 MINUTES'. Once the washer has been plugged in and the washer lid opened and closed, the display will show the price. In washers set for free cycles, the display will flash 'SELECT CYCLE', and will display 'PRICE 0.00'.



ELECTRONIC CONTROLS SET-UP INSTRUCTIONS

Control Set-Up Procedures

IMPORTANT: Read all instructions before operating.

The top three key pads on the left side, the top key pad on the right side, and the digital display are used to set up the controls. The display can contain 4 numbers and/or letters and a decimal point. These are used to indicate the set-up codes and related code values available for use in programming the washer.

How to use the key pads to program the controls

1. The POWERWASH key pad is used to adjust the values associated with set-up codes. Pressing the key pad will increment the value.
Rapid adjustment is possible by holding the key pad down.
2. The NORMAL key pad will advance you through the set-up codes. Pressing the key pad will advance you to the next available set-up code. Holding the key pad down will automatically advance through the set-up codes at a rate of one (1) per second.
3. The DELICATES key pad is used to select or deselect options.
4. The TEMPERATURE key pad is used to decrease set-up code value.

Start Operating Setup

- PD Models: Insert access door key, turn, and lift to remove access door.
- PR models set for free vend: Refer to bottom of page 17 for entering operating setup.

IMPORTANT: The console must not be opened unless power is first removed from the washer. To access connector AA1:

- Unplug washer or disconnect power.
- Open console, disconnect plug on AA1, close console.
- Plug in washer or reconnect power.

The washer is now in the set-up mode.

Before proceeding, it is worth noting that, despite all of the options available, an owner can simply choose to uncrate a new commercial washer, hook it up, plug it in, and have a unit that operates.

Set-Up Codes

- The NORMAL key pad will advance from code to code.
- The POWERWASH key pad will increase the code value.
- The DELICATES key pad will select or deselect options.
- The TEMPERATURE key pad will decrease the code value.

The set-up code is indicated by the one or two left-hand characters. The set-up code value is indicated by the two or three right-hand characters.

CODE	EXPLANATION
6.07 DELICATES	DELICATES Regular Cycle Vend Price - Increase or decrease between 0 and 200 by pressing the POWERWASH or TEMPERATURE key pad. Factory preset for 7 coins = \$1.75.
6.07 NORMAL ECO	NORMAL ECO Regular Cycle Vend Price - Increase or decrease between 0 and 200 by pressing the POWERWASH or TEMPERATURE key pad. Factory preset for 7 coins = \$1.75.
6.07 POWERWASH	POWERWASH Regular Cycle Vend Price - Increase or decrease between 0 and 200 by pressing the POWERWASH or TEMPERATURE key pad. Factory preset for 7 coins = \$1.75.
6.08 NORMAL	NORMAL Regular Cycle Vend Price - Increase or decrease between 0 and 200 by pressing the POWERWASH or TEMPERATURE key pad. Factory preset for 8 coins = \$2.00.
→ Press the NORMAL key pad once to advance to next code.	
7.00	ADDITIONAL WASH TIME
7.00	This is the number of minutes that can be added to a Wash Cycle. Choose from 00-05 minutes by pressing the POWERWASH key pad.
→ Press the NORMAL key pad once to advance to next code.	
8.00	ADDITIONAL RINSE TIME
8.00	This is the number of minutes that can be added to a RINSE Cycle. Choose from 00-05 minutes by pressing the POWERWASH key pad.
→ Press the NORMAL key pad once to advance to next code.	
9.00	CYCLE COUNTER OPTION
	This option is either SELECTED 'ON' or NOT SELECTED 'OFF'.
9.00	Not Selected 'OFF'.
9.0C	Selected 'ON' and not able to be deselected. Press the DELICATES key pad 3 consecutive times to select 'ON'. Once selected 'ON' it cannot be deselected.
→ Press the NORMAL key pad once to advance to next code.	
1.00	MONEY COUNTER OPTION
	This option is either SELECTED 'ON' or NOT SELECTED 'OFF'.
1.00	Not Selected 'OFF'.
1.0C	Selected 'ON'. Press the DELICATES key pad 3 consecutive times to select 'ON' and 3 consecutive times to remove (Not Selected 'OFF'.) Counter resets by going from 'OFF' to 'ON'.
1.0C	Selected 'ON' and not able to be deselected. To select 'ON' and not able to be deselected, first select 'ON', then within 2 seconds press the DELICATES key pad twice, the POWERWASH key pad once, and exit the set-up mode.
→ Press the NORMAL key pad once to advance to next code.	
2.00	SPECIAL PRICING OPTION
	This option is either SELECTED 'ON' or NOT SELECTED 'OFF'.
2.00	Not Selected 'OFF'.
2.SP	Selected 'ON'. Press the DELICATES key pad once for this selection.
If SPECIAL PRICING OPTION is selected, there is access to codes '3.' through '9.'	
NOTE: An external battery needs to be added to keep the clock running during periods of power outages.	
→ Press the NORMAL key pad once to advance to next code.	

ELECTRONIC CONTROLS SET-UP INSTRUCTIONS

CODE	EXPLANATION																								
OPTIONS TO USE IF SPECIAL PRICING IS SELECTED:																									
3.07 DELICATES	DELICATES Special Cycle Vend Price - Increase or decrease between 0 and 200 by pressing the POWERWASH or TEMPERATURE key pad. Factory preset for 7 coins = \$1.75.																								
3.07 NORMAL ECO	NORMAL ECO Special Cycle Vend Price - Increase between 0 and 200 by pressing the POWERWASH or decrease by pressing the TEMPERATURE key pad. Factory preset for 7 coins = \$1.75.																								
3.07 POWERWASH	POWERWASH Special Cycle Vend Price - Increase or decrease between 0 and 200 by pressing the POWERWASH or TEMPERATURE key pad. Factory preset for 7 coins = \$1.75.																								
3.08 NORMAL	NORMAL Special Cycle Vend Price - Increase or decrease between 0 and 200 by pressing the POWERWASH or TEMPERATURE key pad. Factory preset for 8 coins = \$2.00.																								
→ Press the NORMAL key pad once to advance to next code.																									
5.00	TIME-OF-DAY CLOCK, MINUTES																								
5.00	This is the TIME-OF-DAY CLOCK, minute setting; select between 0 and 59 minutes by pressing the POWERWASH or TEMPERATURE key pad.																								
→ Press the NORMAL key pad once to advance to next code.																									
6.00	TIME-OF-DAY CLOCK, HOURS NOTE: Uses military time or 24 hr. clock.																								
6.00	This is the TIME-OF-DAY CLOCK, hour setting; select between 0 and 23 hours by pressing the POWERWASH or TEMPERATURE key pad.																								
→ Press the NORMAL key pad once to advance to next code.																									
7.00	SPECIAL PRICE START HOUR NOTE: Uses military time or 24 hr. clock.																								
7.00	This is the start hour; select between 0 and 23 hours by pressing the POWERWASH or TEMPERATURE key pad.																								
→ Press the NORMAL key pad once to advance to next code.																									
8.00	SPECIAL PRICE STOP HOUR NOTE: Uses military time or 24 hr. clock.																								
8.00	This is the stop hour; select between 0 and 23 hours by pressing the POWERWASH or TEMPERATURE key pad.																								
→ Press the NORMAL key pad once to advance to next code.																									
9.00	SPECIAL PRICE DAY																								
9.10	This represents the day of the week and whether special pricing is selected for that day. A number followed by '0' indicates no selection that particular day (9.10). A number followed by an 'S' indicates selected for that day (9.1S). Days of the week (1-7) can be chosen by pressing the POWERWASH key pad. Press the POWERWASH key pad once to select special pricing for each day chosen. When exiting set-up code '9', the display must show current day of week:																								
	<table border="1"> <thead> <tr> <th>DISPLAY</th> <th>DAY OF WEEK</th> <th>CODE (selected)</th> </tr> </thead> <tbody> <tr> <td>10</td> <td>Day 1 = Sunday</td> <td>1S</td> </tr> <tr> <td>20</td> <td>Day 2 = Monday</td> <td>2S</td> </tr> <tr> <td>30</td> <td>Day 3 = Tuesday</td> <td>3S</td> </tr> <tr> <td>40</td> <td>Day 4 = Wednesday</td> <td>4S</td> </tr> <tr> <td>50</td> <td>Day 5 = Thursday</td> <td>5S</td> </tr> <tr> <td>60</td> <td>Day 6 = Friday</td> <td>6S</td> </tr> <tr> <td>70</td> <td>Day 7 = Saturday</td> <td>7S</td> </tr> </tbody> </table>	DISPLAY	DAY OF WEEK	CODE (selected)	10	Day 1 = Sunday	1S	20	Day 2 = Monday	2S	30	Day 3 = Tuesday	3S	40	Day 4 = Wednesday	4S	50	Day 5 = Thursday	5S	60	Day 6 = Friday	6S	70	Day 7 = Saturday	7S
DISPLAY	DAY OF WEEK	CODE (selected)																							
10	Day 1 = Sunday	1S																							
20	Day 2 = Monday	2S																							
30	Day 3 = Tuesday	3S																							
40	Day 4 = Wednesday	4S																							
50	Day 5 = Thursday	5S																							
60	Day 6 = Friday	6S																							
70	Day 7 = Saturday	7S																							
→ Press the NORMAL key pad once to advance to next code.																									

CODE	EXPLANATION
A.00	VAULT VIEWING OPTION This option is either SELECTED 'ON' or NOT SELECTED 'OFF'.
A.00	Not Selected 'OFF'.
A.SC	Selected 'ON'. Press the DELICATES key pad once for this selection. When selected, the money and/or cycle counts will be viewable (depending on what is selected) when the coin box is removed.
→ Press the NORMAL key pad once to advance to next code.	
b.05	VALUE OF COIN 1
b.05	This represents the value of coin 1 in number of 5% increments of the larger coin value. 5 x 5% = 25%. By pressing the POWERWASH or TEMPERATURE key pad, there is the option of between 1 and 199 for the quantity of 5% increments.
→ Press the NORMAL key pad once to advance to next code.	
C.20	VALUE OF COIN 2
C.20	This represents the value of coin 2 in number of 5% increments of the larger coin value. 2 x 5% = 100%. By pressing the POWERWASH or TEMPERATURE key pad, there is the option of between 1 and 199 for the quantity of 5% increments.
→ Press the NORMAL key pad once to advance to next code.	
d.00	COIN SLIDE OPTION This option is either SELECTED 'ON' or NOT SELECTED 'OFF'.
d.00	Not Selected 'OFF'.
d.CS	Selected 'ON'. Press the DELICATES key pad 3 consecutive times for this selection. When coin slide mode is selected, set 'b.' equal to value of slide in 5% increments. Set Step 6 (regular cycle price) and Step 3 (special cycle price) to number of slide operations. If the installer sets up 'CS' on a coin drop model, it will not register coins.
→ Press the NORMAL key pad once to advance to next code.	
E.00	ADD COINS OPTION This option is either SELECTED 'ON' or NOT SELECTED 'OFF'. This option causes the customer display to show the number of coins (coin 1) to enter, rather than the monetary amount.
E.00	Not Selected 'OFF'.
E.AC	Selected 'ON'. Press the DELICATES key pad 3 consecutive times for this selection.
→ Press the NORMAL key pad once to advance to next code.	
H.00 COLD	COLD Temperature Upgrade Price - Increase or decrease between 0 and 200 by pressing the POWERWASH or TEMPERATURE key pad. Factory preset for 0 coins = \$0.00.
H.00 COOL	COOL Temperature Upgrade Price - Increase or decrease between 0 and 200 by pressing the POWERWASH or TEMPERATURE key pad. Factory preset for 1 coins = \$0.25.
H.00 WARM	WARM Temperature Upgrade Price - Increase or decrease between 0 and 200 by pressing the POWERWASH or TEMPERATURE key pad. Factory preset for 2 coins = \$0.50.
H.00 HOT	HOT Temperature Upgrade Price - Increase or decrease between 0 and 200 by pressing the POWERWASH or TEMPERATURE key pad. Factory preset for 3 coins = \$0.75.
H.00 HEAVY	HEAVY SOIL LEVEL Upgrade Price - Increase or decrease between 0 and 200 by pressing the POWERWASH or TEMPERATURE key pad. Factory preset for 1 coins = \$0.25.

ELECTRONIC CONTROLS SET-UP INSTRUCTIONS

CODE	EXPLANATION
H.00 EXTRA RINSE	EXTRA RINSE Upgrade Price - Increase or decrease between 0 and 200 by pressing the POWERWASH or TEMPERATURE key pad. Factory preset for 1 coins = \$0.25.
→ Press the NORMAL key pad once to advance to next code.	
J.Cd	COIN/DEBIT OPTION
J.Cd	Both coin & debit selected.
J.C_	Coins selected, debit disabled. Press the DELICATES key pad 3 times for this selection.
J._d	Debit Card selected, coins disabled. Press the DELICATES key pad 3 times for this selection.
J.Ed	Enhanced Debit is self-selected when a Generation 2 card reader is installed in the washer. The Ed option cannot be manually selected or deselected.
→ Press the NORMAL key pad once to advance to next code.	
L.00	PRICE SUPPRESSION OPTION This option causes the customer display to show 'ADD' or 'AVAILABLE' rather than the amount of money to add. (Used mainly in debit installations.)
L.00	Not Selected 'OFF'.
L.PS	Selected 'ON'. Press the DELICATES key pad once for this selection.
→ Press the NORMAL key pad once to advance to next code.	
n. CE	CLEAR ESCROW OPTION When selected, money held in escrow for 30 minutes without further escrow or cycle activity will be cleared.
n. CE	Selected 'ON'.
n. 00	Not selected 'OFF'. Press the DELICATES key pad once to deselect this selection.
→ Press the NORMAL key pad once to advance to next code.	
U.00	COIN (HUNDRETH) INCREMENT OFFSET
U.00	For use with card reader applications only.
→ Press the NORMAL key pad once to advance to next code.	
A3.03	NORMAL Cycle Settings. Allows the owner to select the cycle default options of Water Temperature, Soil Level, and Extra Rinse. See Table 1 for specific settings. Normal is set to 03 from the factory.
A4.01	DELICATES Cycle Settings. Allows the owner to select the cycle default options of Water Temperature, Soil Level, and Extra Rinse. See Table 1 for specific settings. Delicates is set to 01 from the factory.
A5.1C	POWERWASH Cycle Settings. Allows the owner to select the cycle default options of Water Temperature, Soil Level, and Extra Rinse. See Table 1 for specific settings. Powerwash is set to 1C from the factory.
A6.03	NORMAL ECO Cycle Settings. Allows the owner to select the cycle default options of Water Temperature, Soil Level, and Extra Rinse. See Table 1 for specific settings. Normal Eco is set to 03 from the factory.

If cycle counter (9.0C) is selected, the following is true:

1 xx	Number of cycles in THOUSANDS.	1 02 = 2,000
2xxx	Number of cycles in ONES.	2225 = 225
		<u>TOTAL CYCLES = 2,225</u>

This is "VIEW ONLY" and cannot be cleared.

Press the NORMAL key pad once to advance to next code.

If money counter (1.0C or 1.C0) is selected, the following is true:

3 xx	Number in THOUSANDS.	3 01 = \$1,000.00
4xxx	Number in ONES.	4600 = \$ 600.00
5 xx	Number of HUNDRETHS.	5 75 = \$ 00.75
		<u>TOTAL = \$1,600.75</u>

END OF SET-UP PROCEDURES

EXIT FROM SET-UP MODE

■ PD Models: Reinstall access door.

If preferred, just wait through 2 minutes of inactivity. All settings will be saved and the display will revert to Select Cycle screen.

Table 1

A3, A4, A5, A6	Extra Rinse	Soil Level (Heavy-On, Normal-Off)	Water Temp	A3, A4, A5, A6	Extra Rinse	Soil Level (Heavy-On, Normal-Off)	Water Temp
00	Off	Off	Tap Cold	10	On	Off	Tap Cold
01	Off	Off	Cold	11	On	Off	Cold
02	Off	Off	Cool	12	On	Off	Cool
03	Off	Off	Warm	13	On	Off	Warm
04	Off	Off	Hot	14	On	Off	Hot
08	Off	On	Tap Cold	18	On	On	Tap Cold
09	Off	On	Cold	19	On	On	Cold
A	Off	On	Cool	1A	On	On	Cool
B	Off	On	Warm	1B	On	On	Warm
C	Off	On	Hot	1C	On	On	Hot

Technician Service Access Code

This method is only available on PR washers set to free vend (6 00).

To enter service mode:

Press the POWERWASH, EXTRA RINSE, TEMPERATURE, and DELICATES key pads within 10 seconds.

To exit service mode:

Wait 2 minutes without touching any key pads (without diagnostic modes running)

or

Power down the washer, then reapply power.

NOTE: If a service cycle is in progress upon exiting service mode, the cycle will complete normally with cycle status information displayed. The display will resume normal customer operation mode when the cycle ends.

WASHER DISPOSAL



This appliance is marked according to the European directive 2012/19/EU on Waste Electrical and Electronic Equipment (WEEE).

By ensuring this product is disposed of correctly, you will help avoid potential negative consequences for the environment and human health, which could otherwise be caused by inappropriate waste handling of this product.

The symbol on the product, or on the documents accompanying the product, indicates that this appliance may not be treated as household waste. Instead it shall be handed over to the applicable collection point for the recycling of electrical and electronic equipment.

Disposal must be carried out in accordance with local environmental regulations for waste disposal.

For more detailed information about treatment, recovery and recycling of this product, please contact your local city office, your household waste disposal service or the shop where you purchased the product.

MAYTAG® COMMERCIAL LAUNDRY LIMITED WARRANTY

IF YOU NEED SERVICE:

Contact your authorized Maytag® Commercial Laundry distributor. To locate your authorized Maytag® Commercial Laundry distributor, visit www.MaytagCommercialLaundry.com.

For written correspondence:

Maytag® Commercial Laundry Service Department
2000 N M 63
Benton Harbor, Michigan 49022-2632 USA

FIVE YEAR LIMITED WARRANTY

WHAT IS COVERED

FIVE YEAR LIMITED WARRANTY (PARTS ONLY – LABOR NOT INCLUDED)

For the first five years from the original date of purchase, when this commercial appliance is installed, maintained, and operated according to the instructions attached to or furnished with the product, Maytag brand of Whirlpool Corporation (hereafter “Maytag”) will pay for factory specified replacement parts to correct defects in materials or workmanship that existed when this commercial appliance was purchased. This limited warranty does not include labor.

YOUR SOLE AND EXCLUSIVE REMEDY UNDER THIS LIMITED WARRANTY SHALL BE PRODUCT REPAIR AS PROVIDED HEREIN. Maytag recommends that you use an “authorized” service provider to diagnose and repair your Commercial Laundry product.

Maytag will not be responsible under this warranty to provide additional replacement parts as a result of incorrect diagnosis or repair by an “unauthorized” service company. Except in the European Union, this limited warranty is valid only when the commercial appliance is used in the country in which it was purchased. This limited warranty is effective from the date of the original consumer purchase. Proof of original purchase date is required to obtain service under this limited warranty.

WHAT IS NOT COVERED

1. All other costs including labor, transportation, shipping, or custom duties for covered parts.
 2. Factory specified replacement parts if this commercial appliance is used for other than normal, commercial use or when it is used in a manner that is inconsistent to published user or operator instructions and/or installation instructions.
 3. Service calls to correct the installation of your commercial appliance, to instruct you on how to use your commercial appliance, to replace or repair house fuses, or to correct external wiring or plumbing.
 4. Service calls to repair or replace appliance light bulbs, air filters, or water filters. Consumable parts are excluded from warranty coverage.
 5. Damage resulting from improper handling of product during delivery, theft, accident, alteration, misuse, abuse, fire, flood, acts of God, improper installation, installation not in accordance with local electrical or plumbing codes, or use of products not approved by Maytag.
 6. Pick up and delivery. This commercial appliance is designed to be repaired on location.
 7. Repairs to parts or systems resulting from unauthorized modifications made to the commercial appliance.
 8. The removal and reinstallation of your commercial appliance if it is installed in an inaccessible location or is not installed in accordance with published installation instructions.
 9. Damage resulting from exposure to chemicals.
 10. Changes to the building, room, or location needed in order to make the commercial appliance operate correctly.
 11. Factory specified replacement parts on commercial appliances with original model/serial numbers that have been removed, altered, or cannot be easily determined.
 12. Discoloration, rust, or oxidation of stainless steel surfaces.
 13. Factory specified replacement parts as a result of incorrect diagnosis or repair by an “unauthorized” service company.
- The cost of repair or replacement under these excluded circumstances shall be borne by the customer.**

DISCLAIMER OF IMPLIED WARRANTIES

IMPLIED WARRANTIES, INCLUDING ANY IMPLIED WARRANTY OF MERCHANTABILITY OR IMPLIED WARRANTY OF FITNESS FOR A PARTICULAR PURPOSE, ARE LIMITED TO FIVE YEARS OR THE SHORTEST PERIOD ALLOWED BY LAW. Some locations may not allow limitations on the duration of implied warranties of merchantability or fitness, so this limitation may not apply to you. This warranty gives you specific legal rights, and you also may have other rights that vary.

DISCLAIMER OF REPRESENTATIONS OUTSIDE OF WARRANTY

Maytag makes no representations about the quality, durability, or need for service or repair of this major appliance other than the representations contained in this Warranty. If you want a longer or more comprehensive warranty than the limited warranty that comes with this major appliance, you should ask your retailer about buying an extended warranty. The benefits to you given by this warranty are in addition to other rights and remedies available to you under a law in relation to the goods or service to which this warranty relates. Please contact Maytag for further information on warranty terms.

LIMITATION OF REMEDIES; EXCLUSION OF INCIDENTAL AND CONSEQUENTIAL DAMAGES

YOUR SOLE AND EXCLUSIVE REMEDY UNDER THIS LIMITED WARRANTY SHALL BE PRODUCT REPAIR AS PROVIDED HEREIN. MAYTAG SHALL NOT BE LIABLE FOR INCIDENTAL OR CONSEQUENTIAL DAMAGES. Some locations do not allow the exclusion or limitation of incidental or consequential damages, so these limitations and exclusions may not apply to you. This warranty gives you specific legal rights, and you also may have other rights that vary by location.

01/17