

# DISHWASHER

## Repair Parts List

MODEL NUMBER  
MDB7100AWW

When requesting service or ordering parts, always provide the following information:

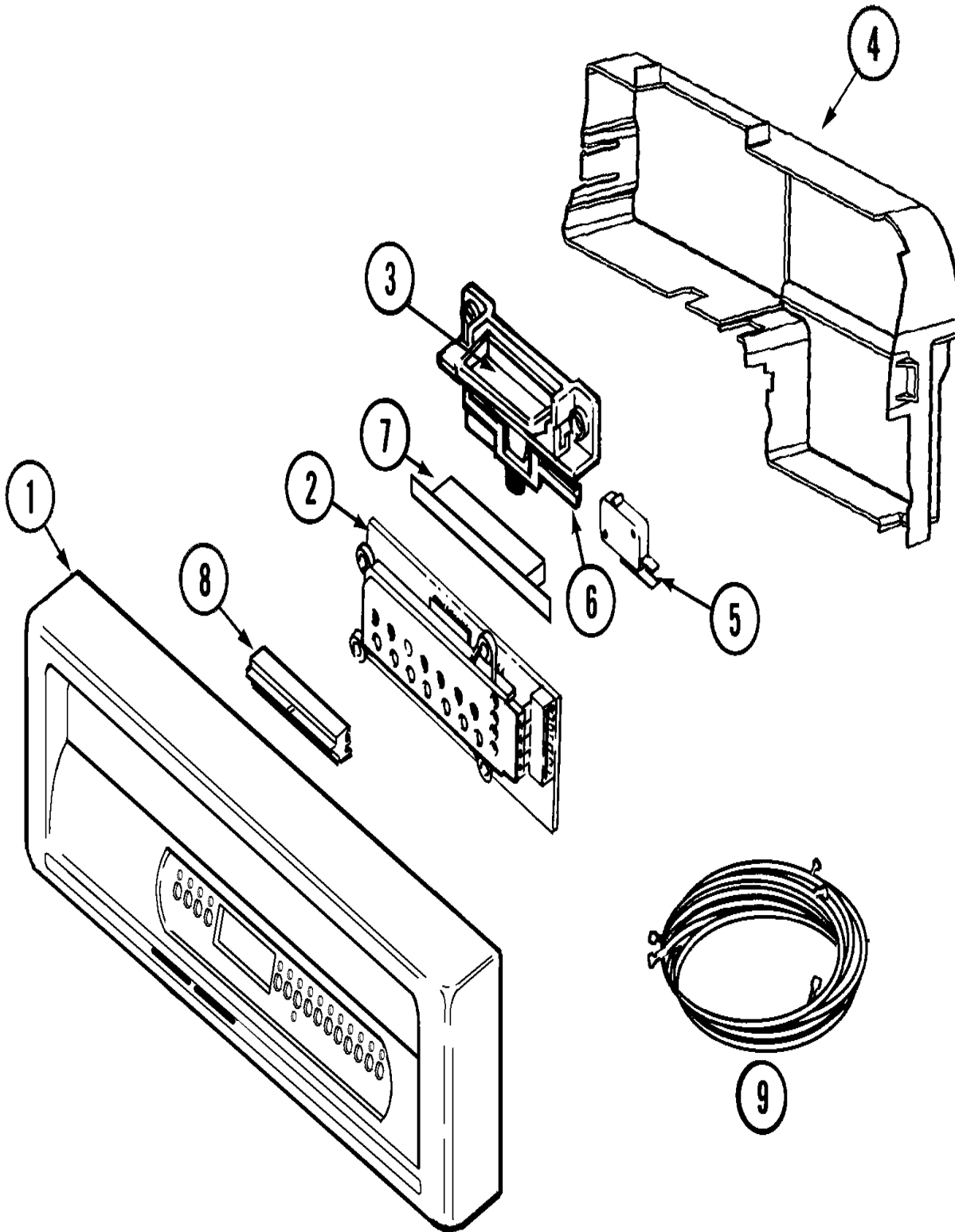
- Product Type
- Part Number
- Model Number
- Part Description

**MAYTAG**®

©2005 Maytag Services

Section: CONTROL PANEL

Model: MDB7100AWW



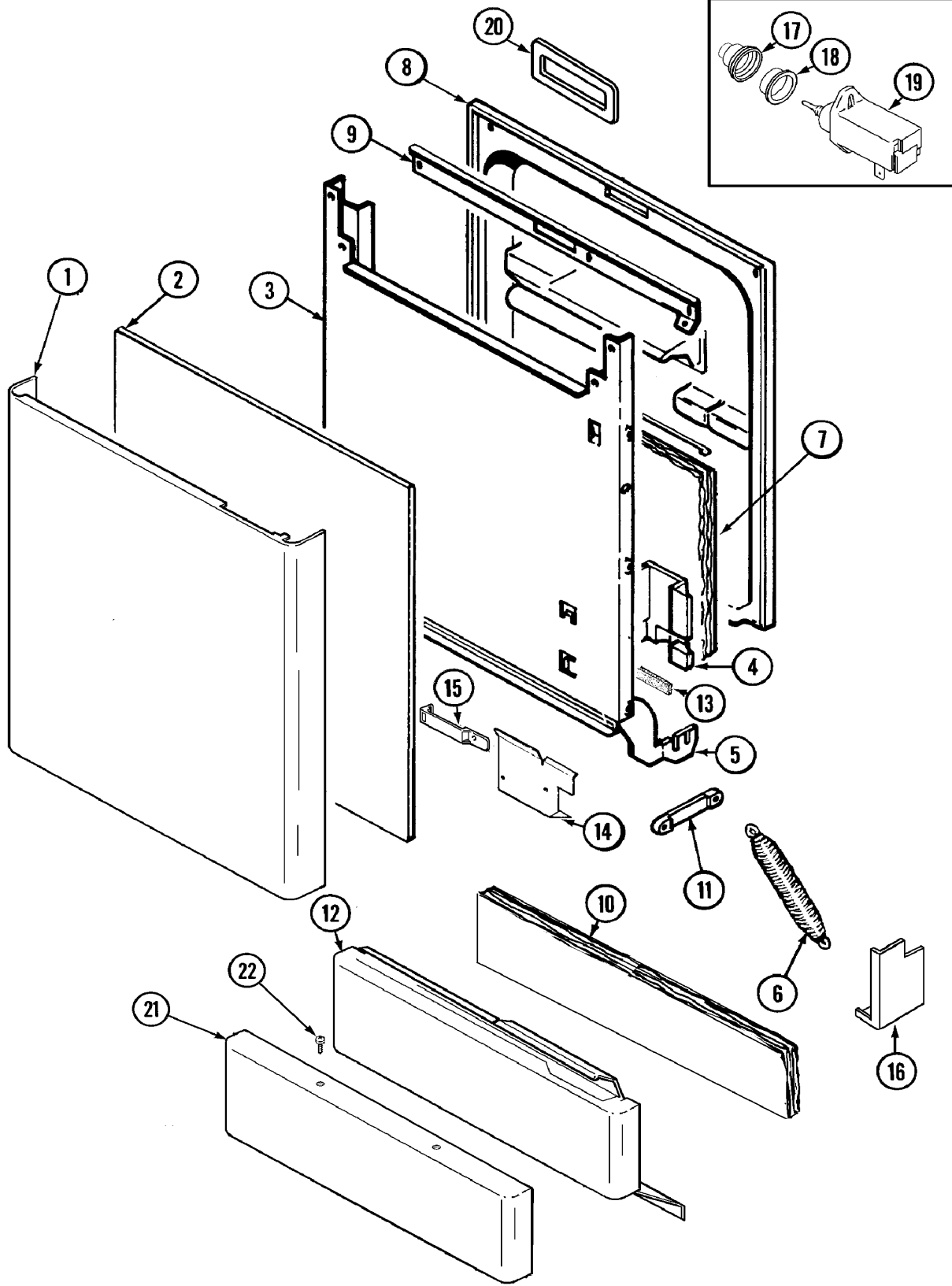
## Section: CONTROL PANEL

No.	Part No.	Description	Series	Qty
1	99002090	PANEL, CONTROL (WHT) Note: PANEL, CONTROL (WHT)	10	1
-	912615	SCREW, #8X1/2 HEX WASHER HEAD Note: SCREW, PANEL	10	4
2	99002232	PCB ASSEMBLY	11	1
2	99002078	PCB ASSEMBLY	10	1
2	99002365	PCB ASSEMBLY (11-BUTTON)	24	1
-	912615	SCREW, #8X1/2 HEX WASHER HEAD Note: SCREW, GROUND WIRE & PCB	10	2
-	99002268	BARRIER, MOISTURE	10	1
2	99002259	PCB ASSEMBLY (11-BUTTON)	14	1
3	99002240	HOLDER, SWITCH	12	1
3	99001077	HOLDER, DOOR SWITCH Note: HOLDER, SWITCH	10	1
-	912615	SCREW, #8X1/2 HEX WASHER HEAD Note: SCREW, SWITCH HOLDER	10	1
4	99002080	BARRIER, CONTROL PANEL	10	1
5	99002207	SWITCH, DOOR	12	1
-	99001401	PAD, LATCH	10	1
6	99001079	HANDLE, LATCH (WHT) Note: HANDLE, LATCH (WHT)	10	1
-	99001402	FOAM, LATCH HANDLE	10	2
7	99001420	LINER, HANDLE HOLE	10	2
8	99002009	INSERT, VENT LINER	10	1
9	99002049	HARNESS, WIRE	10	1
-	99002104	WIRE, JUMPER (MOTOR)	10	1
9	99002237	HARNESS, WIRE---+***	11	1
9	99002264	HARNESS, WIRE---+***	14	1
9	99002486	HARNESS, WIRE	27	1
-	99002374	MANUAL, USE & CARE (ENG/FRCH)	24	1
-	99002321	MANUAL, USE & CARE (ENG & FCH) Note: MANUAL, USE & CARE (ENG/FRCH)	10	1

\*Color Code (-)=Not Shown #=Series, Serial Prefix or Run No., N=Not Available

Section: DOOR

Model: MDB7100AWW



DW12-53

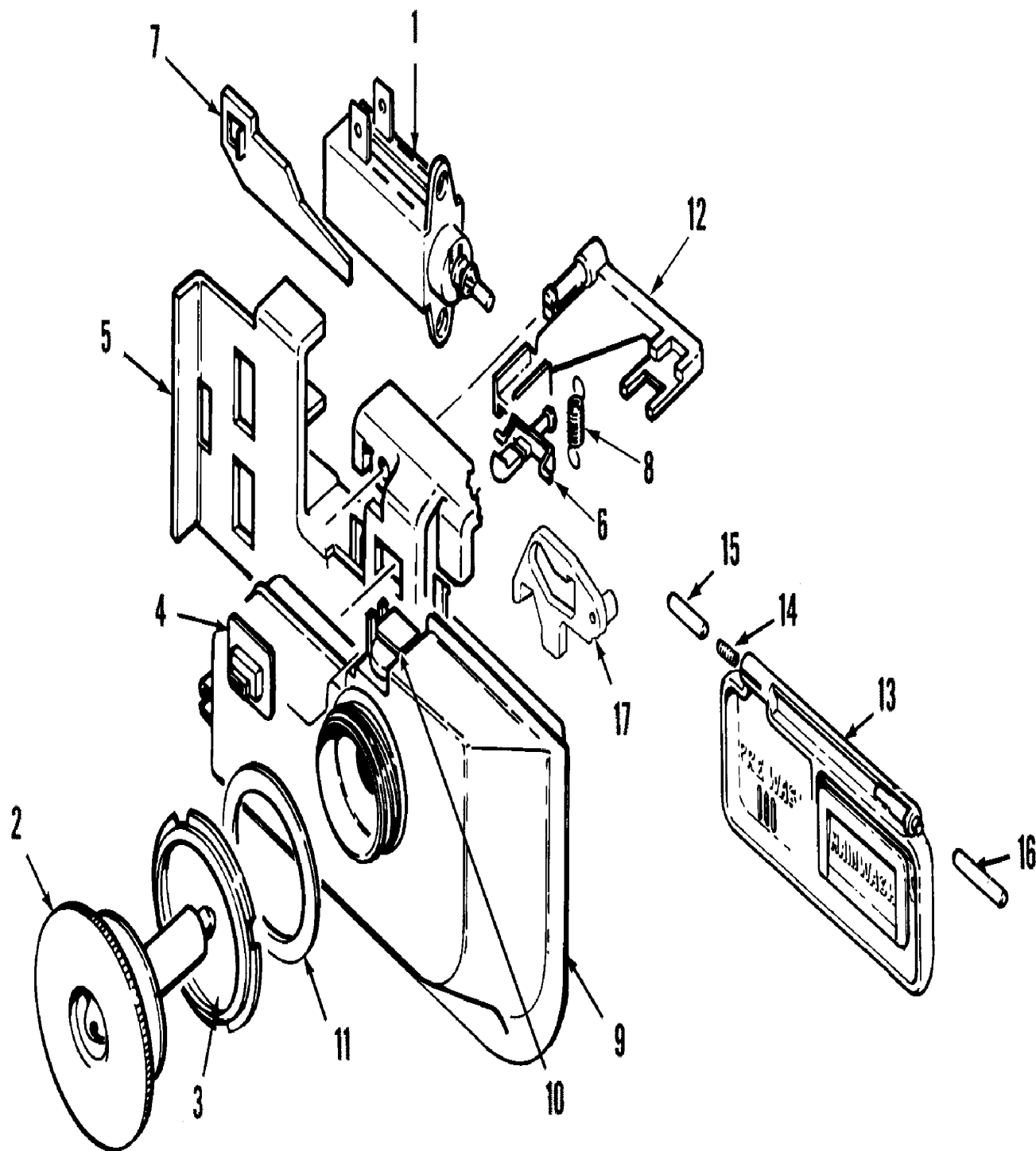
## Section: DOOR

No.	Part No.	Description	Series	Qty
-	99001445	SCREW, DECORATOR PANEL (WHT) Note: SCREW, PANEL (WHT)	10	2
1	99001416	PANEL, DECORATOR (WHT)	10	1
2	99001415	FILLER, FRONT PANEL	10	1
-	99001688	GROUND WIRE, REINFORCEMENT	10	1
3	99001892	DOOR, OUTER	10	1
-	912615	SCREW, #8X1/2 HEX WASHER HEAD Note: SCREW, RETAINER	10	2
4	912666	RETAINER, WIRE	10	1
-	99002362	SPACER, FOAM --++***	10	1
5	99001899	HINGE (RT) Note: HINGE (RT)	10	1
-	99001075	SCREW Note: SCREW, HINGE	10	6
5	99001898	HINGE (LT) Note: HINGE (LT)	10	1
6	99002469	SPRING, DOOR	10	2
7	912669	INSULATION, DOOR	10	1
-	99001215	DAMPER, SOUND (TOP)	10	1
-	912751	DAMPER, SOUND (BTM)	10	1
-	912620	SCREW	10	7
8	99001775	DOOR, INNER (W/VENT ASSY)--SUB	10	1
8	99002383	DOOR, INNER	25	1
9	912668	BAR, REINFORCEMENT	10	1
-	99001990	DAMPER, ACCESS PANEL	10	1
10	99001195	INSULATION, ACCESS PANEL	10	1
11	912653	LINK, DOOR SPRING	10	2
12	99002060	PANEL, ACCESS (WHT)	10	1
-	99001194	SCREW, ACCESS PANEL Note: SCREW, ACCESS PANEL (WHT)	10	4
-	99001205	SEAL, ACCESS PANEL	10	1
13	903233	FOAM STRIP, INSULATION	10	1
-	912266	STRAP, CABLE--++***	10	1
14	99001414	SHIELD, TUB	10	1
-	912366	SCREW --++*** Note: SCREW, TUB SHIELD	10	1
-	912365	SCREW Note: SCREW, STRAP	10	1
15	99001444	STRAP, HARNESS	10	1
-	912366	SCREW --++*** Note: SCREW, ACCESS PANEL SHIELD	10	4
16	912809	SHIELD, ACCESS PANEL (RT) Note: SHIELD, ACCESS PANEL (RT)	10	1
16	912810	SHIELD, ACCESS PANEL (LT) Note: SHEILD, ACCESS PANEL (LT)	10	1
17	99001805	GROMMET, VENT	10	1
18	99001806	RETAINER, GROMMET	10	1
19	99001807	MOTOR, WAX	10	1
20	99001783	SEAL, VENT BACK	10	1

\*Color Code (-)=Not Shown #=Series, Serial Prefix or Run No., N=Not Available

Section: RINSE AID & SOAP DISPENSER

Model: MDB7100AWW



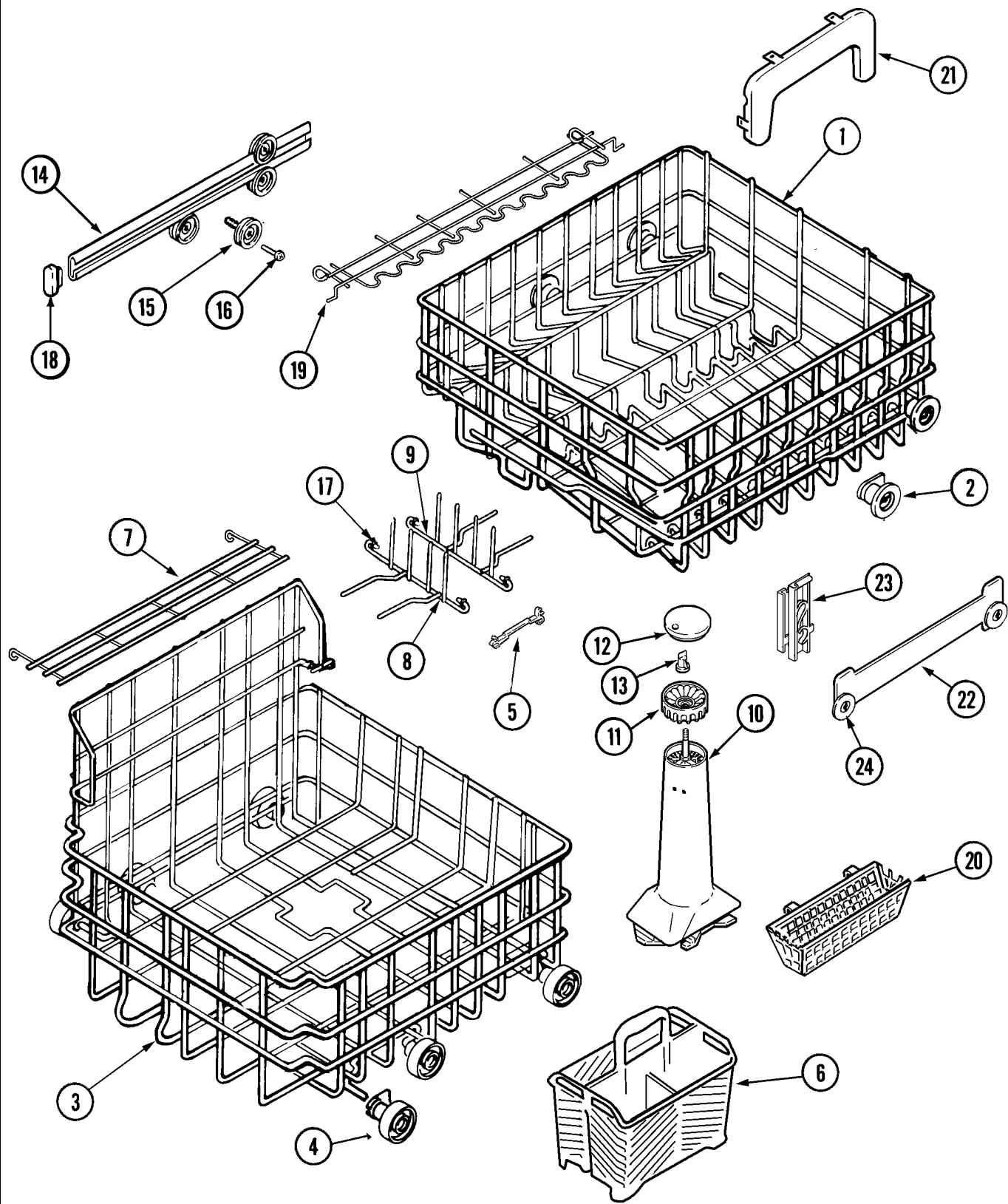
## Section: RINSE AID & SOAP DISPENSER

No.	Part No.	Description	Series	Qty
1	902899	MOTOR, WAX	10	1
2	903184	KNOB, RINSE AID (GRAY) Note: KNOB, RINSE AID	10	1
3	913060	NUT, RESERVOIR Note: NUT, RESERVOIR	10	1
4	99001553	GROMMET, DISPENSER	10	1
-	912615	SCREW, #8X1/2 HEX WASHER HEAD	10	2
5	99001288	RETAINER Note: RETAINER, MOTOR & SLIDER	10	1
6	99001291	LATCH, DISPENSER Note: LATCH, LID	10	1
7	99001289	SLIDER Note: LATCH, SLIDER	10	1
8	912676	SPRING, DISPENSER LATCH	10	1
9	99002004	RESERVOIR, RINSE AID Note: RESERVOIR, RINSE AID	10	1
10	903124	PLUNGER ASSEMBLY Note: PLUNGER ASSEMBLY	10	1
11	913061	GASKET, RESERVOIR Note: GASKET, RESERVOIR	10	1
12	99001290	ACTUATOR, RINSE AID Note: ACTUATOR, RINSE AID	10	1
13	903108	LID, DETERGENT CUP	10	1
14	912547	SPRING, CUP LID Note: SPRING, SOAP DISPENSER	10	1
15	912679	PIN, HINGE (SHORT) Note: PIN (SHORT)	10	1
16	912678	PIN, HINGE (LONG) Note: PIN (LONG)	10	1
17	99001287	PIVOT	10	1

\*Color Code (-)=Not Shown #=Series, Serial Prefix or Run No., N=Not Available

Section: TRACK & RACK ASSEMBLY

Model: MDB7100AWW



DW15-63



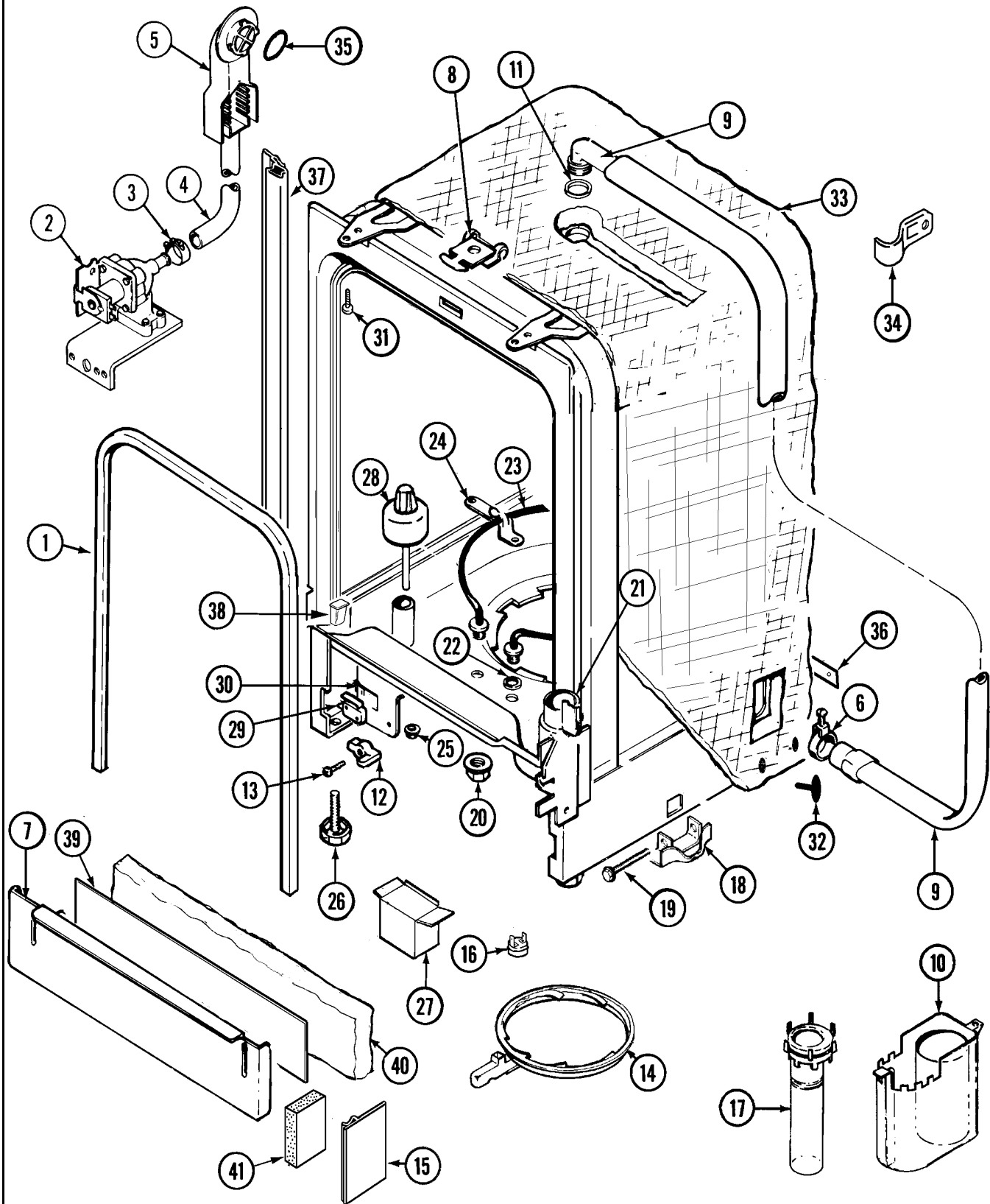
## Section: TRACK & RACK ASSEMBLY

No.	Part No.	Description	Series	Qty
1	99002037	RACK ASSEMBLY (UPR) Note: RACK ASSEMBLY (UPR)	10	1
2	903093	WHEEL ASSEMBLY (UPR) Note: WHEEL ASSEMBLY (UPR)	10	4
3	99002034	RACK, LOWER Note: RACK ASSEMBLY (LWR)	10	1
3	99002398	RACK ASSEMBLY (LWR)	25	1
4	903095	WHEEL ASSEMBLY (LWR) Note: WHEEL ASSEMBLY (LWR)	10	6
5	912709	CLIP, ADJUSTABLE PEG Note: CLIP, ADJUSTABLE PEG (LWR)	10	2
-	99002031	COVER, BASKET	10	2
6	99002028	BASKET, SPLIT & FIT (W/COVER)	10	1
-	99002029	BASKET/HALF, SILVERWARE	10	2
7	99002139	SHELF, RACK (LWR) Note: SHELF, RACK (LWR)	10	1
8	99002138	TINE, BOWL (REAR)	10	1
9	99002137	TINE, BOWL (FRT)	10	1
10	99001533	TOWER, SPRAY (W/SHAFT-GRAY)	10	1
11	99001442	DIVERTER, SPRAY (GRAY)	10	1
12	99001443	CAP, SPRAY DIVERTER (GRAY)	10	1
13	99001426	NUT, DISCHARGE HOUSING	10	1
14	912545	TRACK, RACK	10	2
-	912798	WASHER, TUB WHEEL	10	8
15	912548	WHEEL, TUB	10	8
16	912549	SHAFT, TUB WHEEL	10	8
17	912710	SLEEVE, FOLDING TINES	10	4
18	99002135	STOP, RACK (GRAY)	10	4
19	99001429	SHELF, RACK (UPR)	10	1
20	99002075	BASKET, AUXILLARY	10	1
21	99002107	HANDLE, RACK (LT)	10	1
21	99002108	HANDLE, RACK (RT)	10	1
22	99002072	STRIP, WHEEL MOUNTING	10	1
23	99002073	PLATE, WHEEL MOUNTING	10	2
24	99002106	WHEEL, MOUNTING STRIP	10	2
-	99002017	CAP, RACK (LIGHT GRAY)	10	1

\*Color Code (-)=Not Shown #=Series, Serial Prefix or Run No., N=Not Available

Section: TUB

Model: MDB7100AWW



DW13-78

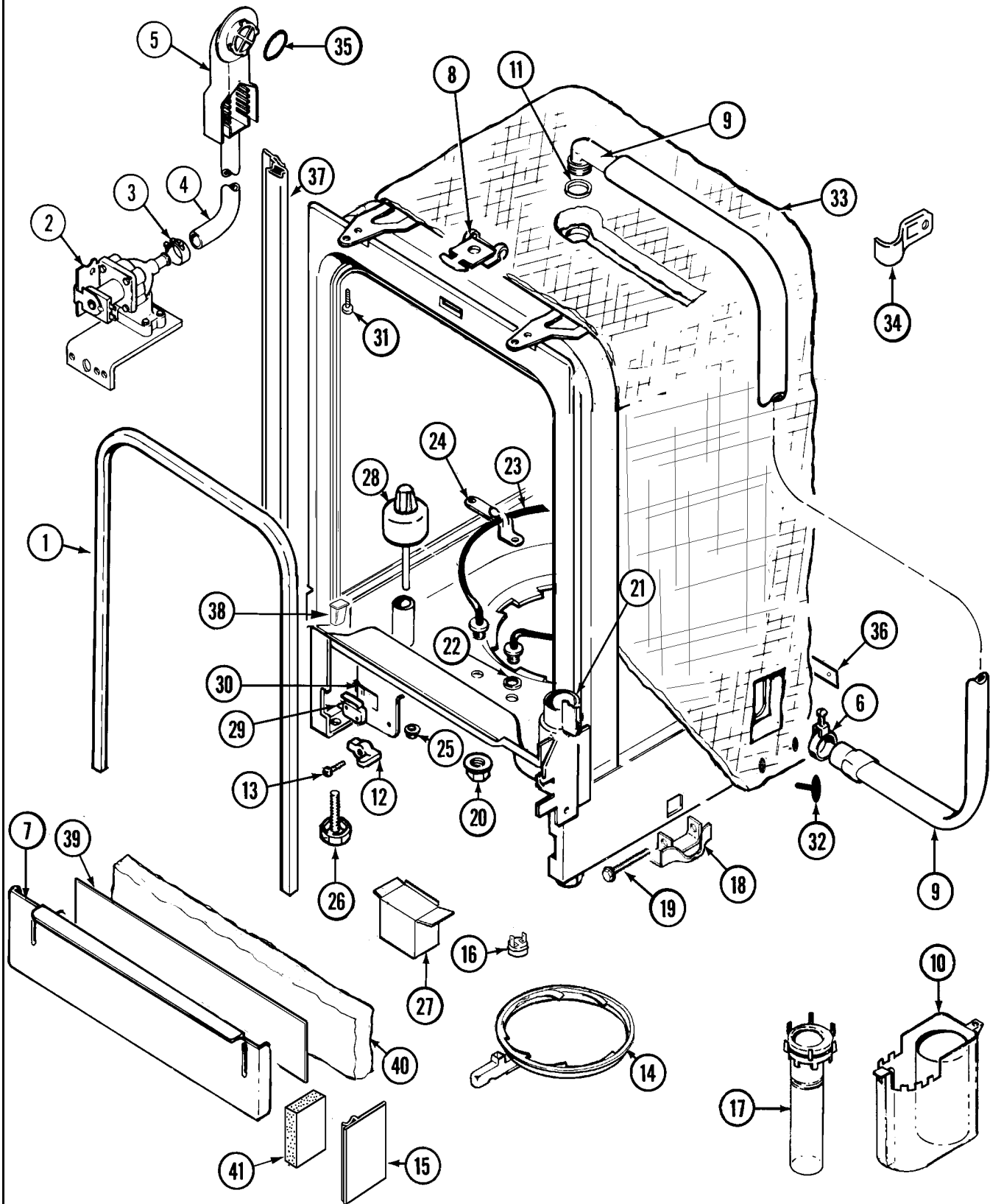
## Section: TUB

No.	Part No.	Description	Series	Qty
1	902894	SEAL, DOOR--++***	10	1
2	99001359	VALVE, WATER	10	1
-	912365	SCREW Note: SCREW, WATER VALVE	10	2
3	911856	CLAMP, SPRING Note: CLAMP, INJECTOR HOSE	10	1
4	912633	HOSE, INJECTOR	10	1
5	912533	INJECTOR, WATER	10	1
6	904030	CLAMP, HOSE (1 1/4") Note: CLAMP, HOSE	10	1
-	99001194	SCREW, ACCESS PANEL Note: SCREW, TOE PANEL (WHT)	10	2
7	99001106	PANEL, TOE (WHT) Note: PANEL, TOE (WHT)	10	1
-	912650	RETAINER, LATCH	10	1
8	903098	DOOR LATCH HOOK ASSY Note: DOOR LATCH HOOK ASSEMBLY	10	1
-	912648	SPRING, LATCH	10	1
-	912873	SCREW, LATCH Note: SCREW, LATCH HOOK	10	1
-	99001355	HOOK, LATCH	10	1
9	912647	HOSE, TOP SHOWER Note: HOSE, TOP SHOWER	10	1
10	913095	VENT, INLET	10	1
11	910069	WASHER, TUB TOP Note: WASHER, TOP SHOWER HOSE	10	1
12	912014	LEVER, ACTUATOR	10	1
13	912015	PIN, LEVER PIVOT	10	1
14	912686	RING, LOCKING	10	1
15	99001393	BARRIER (WHT) Note: BARRIER, TOE PANEL (WHT)	10	2
-	99001008	CLIP, THERMOSTAT	10	1
16	99001852	THERMOSTAT, LIMITING	10	1
17	913096	TUBE, INLET	10	1
18	912651	BRACKET, ADJUSTING	10	2
19	912613	SCREW, ADJUSTING BRACKET Note: SCREW, BRACKET	10	2
20	912645	NUT, HEATING ELEMENT	10	2
-	99001333	SLEEVE, INSULATING Note: SLEEVE, INSULATING	10	1
21	912659	CAP, AIR INLET	10	1
-	912622	SCREW	10	1
22	913079	O-RING, HEATER Note: WASHER, HEATING ELEMENT	10	2
23	99001773	ELEMENT, HEATING (830W/650W) Note: ELEMENT, HEATING	10	1
23	99002360	ELEMENT, HEATING	25	1
24	912541	BRACKET, HEATING ELEMENT Note: BRACKET, ELEMENT	10	2
24	99002361	BRACKET, ELEMENT	25	2
25	911265	PALNUT, FLOAT	10	1
26	912579	LEG, LEVELING	10	4
27	912563	BOX, TERMINAL	10	1
-	400321	CLAMP, CABLE Note: CLAMP, CABLE	10	1
-	912365	SCREW Note: SCREW, BOX	10	2
28	99001004	FLOAT	10	1
29	99002560	SWITCH, WATER LEVEL CONTROL	10	1
-	912012	SCREW Note: SCREW, SWITCH	10	1
30	912656	BRACKET, WATER LEVEL SWITCH	10	1
-	912365	SCREW Note: SCREW, BRACKET	10	1
31	912799	SCREW, CABINET MOUNT	10	2
32	911917	FASTENER, INSULATION Note: FASTENER, INSULATION	10	6
-	99002415	FASTENER, INSULATION (COLLAR)	10	4
33	99001691	INSULATION, TUB	10	1
-	912744	DAMPER, SOUND (LT)	10	1
- N	912749	DAMPER, SOUND (BACK)	10	1
-	99001834	DAMPER, SOUND (TOP-BACK)	10	1
-	99001692	INSULATION, TUB (BACK)	10	1
-	99001833	DAMPER, SOUND (TOP-FRT) Note: DAMPER, SOUND (TOP-FRT)	10	1
-	912745	DAMPER, SOUND (RT) Note: DAMPER, SOUND (SIDE-RT)	10	1
34	912790	HOOK, DRAIN HOSE Note: HOOK, DRAIN HOSE	10	1

\*Color Code (-)=Not Shown #=Series, Serial Prefix or Run No., N=Not Available

Section: TUB

Model: MDB7100AWW



DW13-78

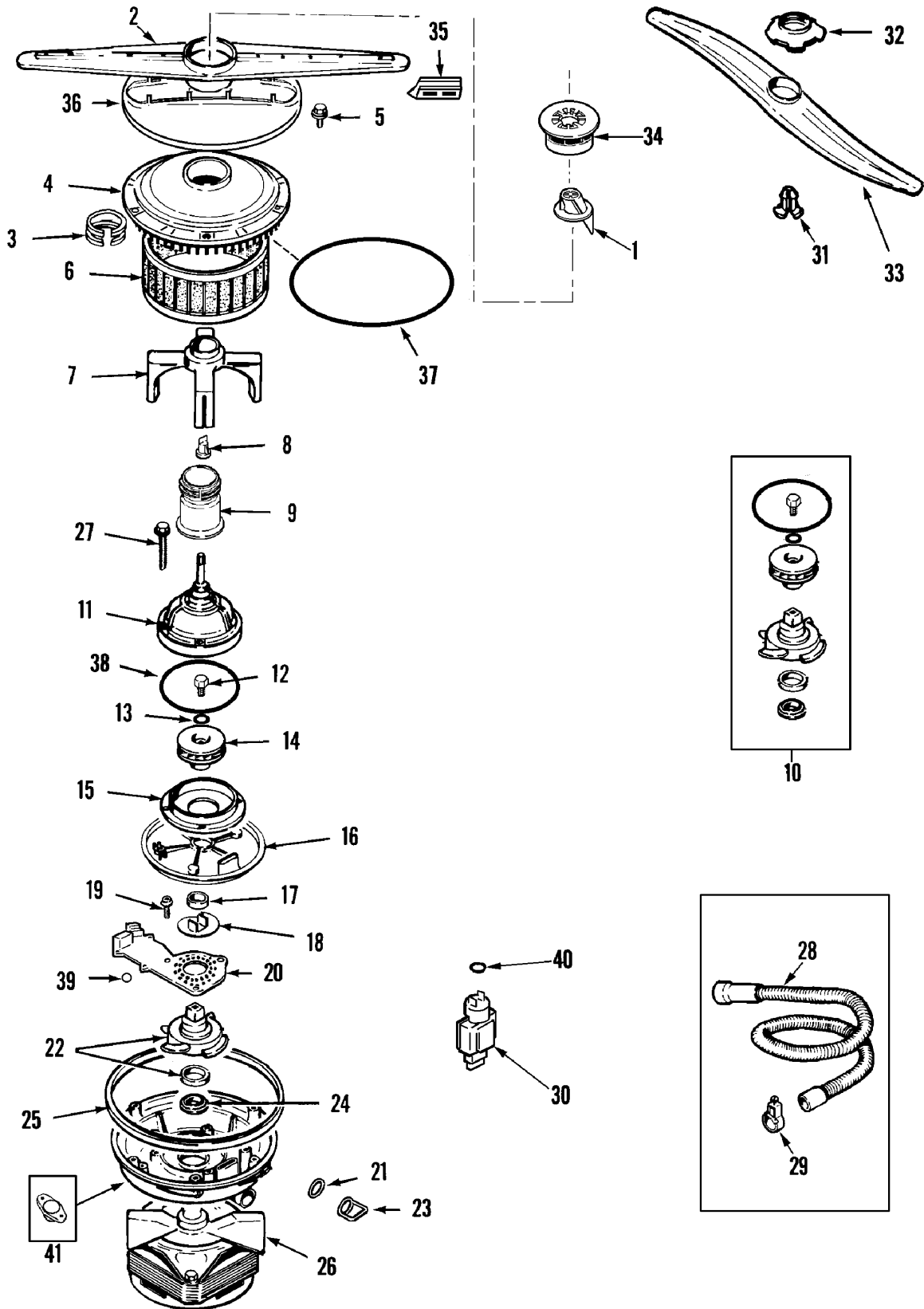
## Section: TUB

No.	Part No.	Description	Series	Qty
35	912644	SEAL RING, INJECTOR	10	1
36	912654	STRAP, SUPPORT	10	1
-	912365	SCREW Note: SCREW, STRAP	10	2
37	99001201	SEAL, SOUND (WHT) Note: SEAL, SOUND (WHT)	10	3
38	99001885	DEFLECTOR, WATER	10	2
39	99001204	DAMPER, TOE PANEL	10	1
40	912742	INSULATION, TOE PANEL	10	1
41	99001395	INSULATION, BARRIER	10	2

\*Color Code (-)=Not Shown #=Series, Serial Prefix or Run No., N=Not Available

Section: PUMP & MOTOR

Model: MDB7100AWW



DW14-54

## Section: PUMP & MOTOR

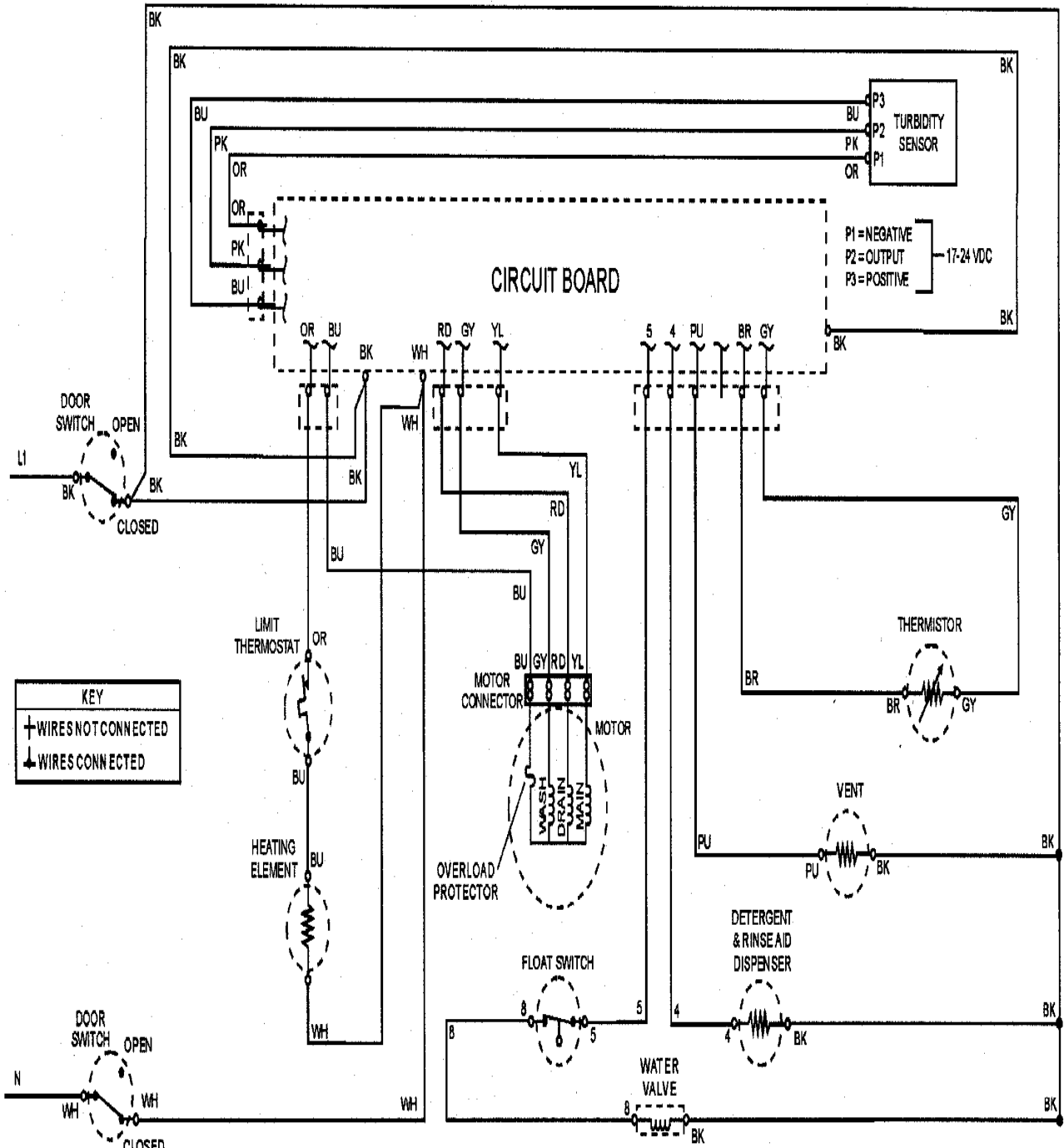
No.	Part No.	Description	Series	Qty
1	99001787	NOZZLE, JUMP UP (GRAY)	10	1
2	99001788	ARM ASSY., WASH (LWR-GRAY)	10	1
3	912313	RING, SEAL Note: SEAL, RING	10	2
4	99001789	FILTER ASSY., SECONDARY	10	1
5	99001790	SCREW, SECONDARY FILTER	10	3
6	99001791	FILTER, PUMP Note: FILTER, PUMP	10	1
7	99002043	ASSEMBLY, RINSE ARM	10	1
8	99001426	NUT, DISCHARGE HOUSING	10	1
9	99002041	SUPPORT, WASH ARM	10	1
10	99002103	SEAL KIT (MOTOR/PUMP)	10	1
11	99002461	DISCHARGE HOUSING ASSY (UPR)	10	1
12	910654	SCREW, IMPELLER Note: SCREW, IMPELLER	10	1
13	910934	SEAL, O-RING Note: SEAL, O-RING	10	1
14	99002069	IMPELLER ASSEMBLY	10	1
15	99002279	PLATE, SUCTION	15	1
15	99001793	PLATE, SUCTION	10	1
16	99001794	SUPPORT, FILTER	10	1
16	99002280	SUPPORT, FILTER	15	1
17	912510	O-RING Note: O-RING	10	1
18	912310	DISC, CUTTER Note: DISC, CUTTER	10	1
19	99001081	SCREW Note: SCREW, CHOPPER PLATE	10	6
20	99001795	COVER, DRAIN	10	1
21	99001799	FLAPPER, VALVE	10	1
22	903304	DRAIN IMPELLER ASSEMBLY Note: DRAIN IMPELLER ASSEMBLY	10	1
23	99001800	CLIP, RETAINER	10	1
24	902882	SEAL, PUMP Note: SEAL, PUMP	10	1
25	912529	GASKET, PUMP Note: GASKET (W/FASTENERS)	10	1
26	99002482	MOTOR/PUMP HOUSING ASSEMBLY	25	1
26	99002089	MOTOR&PUMP HOUSING ASSEMBLY	10	1
27	912383	SCREW Note: SCREW, DISCHARGE HOUSING (UPR)	10	3
28	99001782	HOSE, DRAIN	10	1
29	99001774	CLAMP, HOSE (1 3/8")	10	1
30	99002071	SENSOR, TURBITITY	10	1
31	912681	RETAINER, SNAP SPRAY	10	1
32	912680	OUTLET, SNAP	10	1
33	99002418	ARM, WASH (UPR-WHT)	10	1
34	99001428	CAP, WASH ARM (GRAY)	10	1
35	912895	SHIELD, RADIANT	10	2
36	99001796	GUARD, FILTER (GRAY)	10	1
37	99001797	O-RING	10	1
38	99001326	GASKET, DISCHARGE HSNG (UPR)	10	1
39	99001798	BALL, CHECK	10	1
39	99002281	BALL, CHECK	15	1
40	99002123	SEAL, SENSOR	10	1
41	99002070	THERMISTOR	10	1
-	99001979	O-RING, PUMP THERMOSTAT	10	1
-	99001980	FLANGE, THERMOSTAT/THERMISTOR Note: FLANGE, THERMISTER	10	1
-	912615	SCREW, #8X1/2 HEX WASHER HEAD Note: SCREW, FLANGE	10	2
-	-----	NOT REQUIRED PART OR SEE NOTE	14	0
-	99002104	WIRE, JUMPER (MOTOR)	10	1

\*Color Code (-)=Not Shown #=Series, Serial Prefix or Run No., N=Not Available

Section: WIRING INFORMATION

Model: MDB7100AWW

# ELECTRICAL SCHEMATIC



15002657



